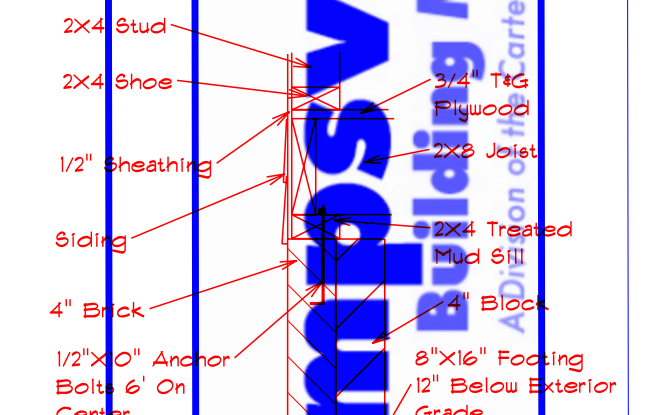
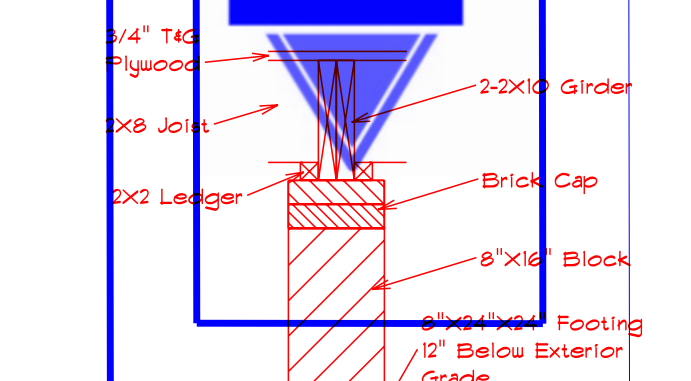


Foundation Detail



Footing & Pier Detail



Floyd Properties
1134 ANDERSON CREEK CLUB
FLOOR TRUSS PLACEMENT PLAN

FOUNDATION VENTILATION

1625 Sq. Ft. Foundation Area
 Requires 1083 Sq. Ft. Ventilation.
 With 6 Mil. Poly. Films Indicate
 Vents For Adequate Cross
 Ventilation.

Foundation Plan

REVISIONS	
DATE	BY
6/30/2021	N

Scale: 1/4" = 1'-0"

DATE: Wednesday, June 30, 2021
 REVISED
 DRAWING*

SCALE: 1/4"
 DRAWN BY
 APPROVED

Lot# 1134 Anderson Creek

The Echo Lake