

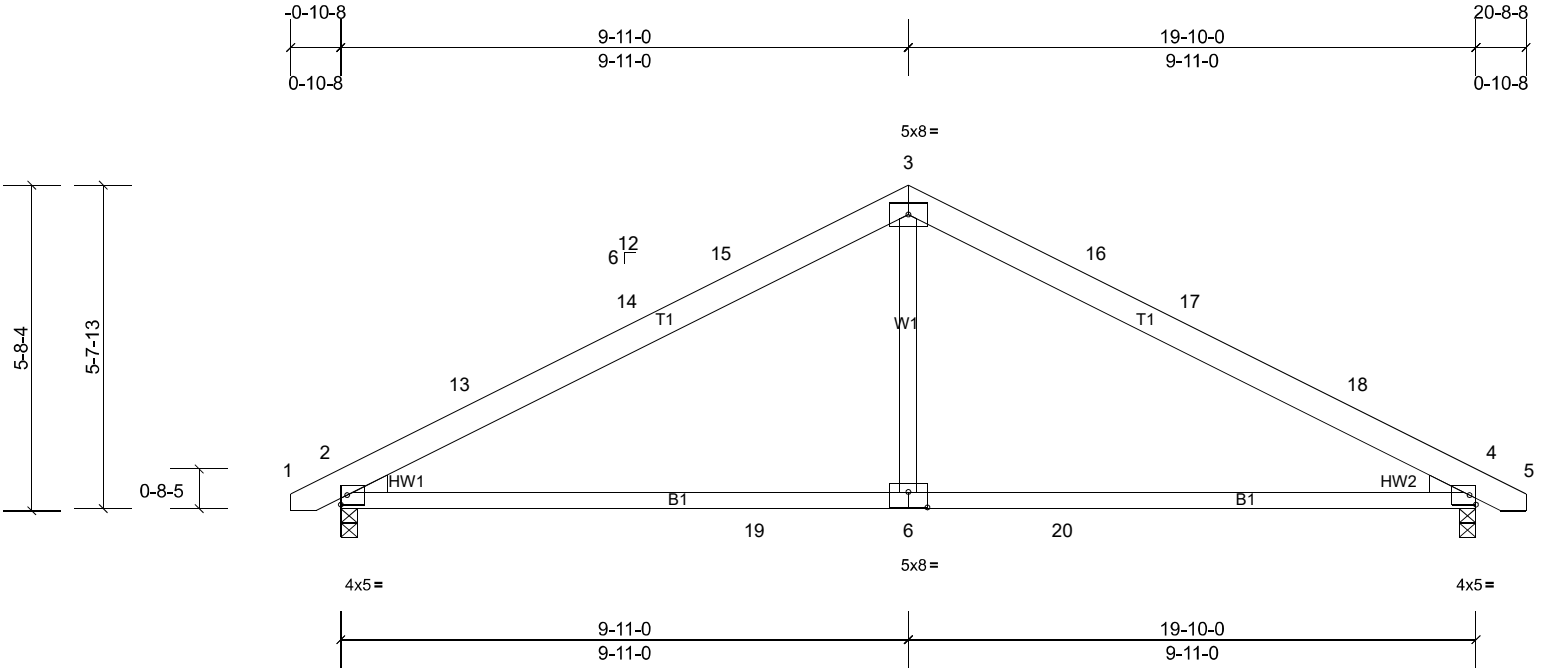
Job 20120029	Truss T1	Truss Type Common	Qty 5	Ply 1	4 Rosemont Job Reference (optional)
-----------------	-------------	----------------------	----------	----------	--

Carter Components - Sanford, Sanford, NC, user

Run: 8.41 S Oct 26 2020 Print: 8.410 S Oct 26 2020 MiTek Industries, Inc. Thu Dec 31 10:44:53

Page: 1

ID:xFVn7POp82HDQT?\_xNzQsCy3VWw-o?h5bvJu1YG8bztPJWqlqU5YxNWGcBjXB5w\_zGy3UM8



Scale = 1:40.3

Plate Offsets (X, Y): [6:0-4-0,0-3-4]

Loading	(psf)	Spacing	2-0-0	CSI		DEFL	in	(loc)	l/defl	L/d	PLATES	GRIP
TCLL (roof)	20.0	Plate Grip DOL	1.15	TC	0.68	Vert(LL)	-0.18	6-9	>999	240	MT20	244/190
Snow (Pf/Pg)	13.9/20.0	Lumber DOL	1.15	BC	0.78	Vert(CT)	-0.32	6-9	>743	180		
TCDL	10.0	Rep Stress Incr	YES	WB	0.20	Horz(CT)	0.03	2	n/a	n/a		
BCLL	0.0*	Code	IRC2018/TPI2014	Matrix-MSH								
BCDL	10.0										Weight: 95 lb	FT = 20%

**LUMBER**  
TOP CHORD 2x6 SP No.2  
BOT CHORD 2x4 SP No.1  
WEBS 2x4 SP No.3  
WEDGE Left: 2x4 SP No.3  
Right: 2x4 SP No.3

**BRACING**  
TOP CHORD  
BOT CHORD

Structural wood sheathing directly applied or 5-4-14 oc purlins.  
Rigid ceiling directly applied or 10-0-0 oc bracing.

MiTek recommends that Stabilizers and required cross bracing be installed during truss erection, in accordance with Stabilizer Installation guide.

**REACTIONS** (lb/size) 2=703/0-3-8, (min. 0-1-8), 4=703/0-3-8, (min. 0-1-8)  
Max Horiz 2=-54 (LC 13)  
Max Grav 2=916 (LC 3), 4=916 (LC 3)

**FORCES** (lb) - Max. Comp./Max. Ten. - All forces 250 (lb) or less except when shown.  
TOP CHORD 2-13=-1187/158, 13-14=-1111/172, 14-15=-1096/174, 3-15=-1059/199, 3-16=-1059/199, 16-17=-1096/174,  
17-18=-1111/172, 4-18=-1187/158  
BOT CHORD 2-19=-189/998, 6-19=-47/998, 6-20=-47/998, 4-20=-47/998  
WEBS 3-6=0/519

- NOTES**
- Unbalanced roof live loads have been considered for this design.
  - Wind: ASCE 7-16; Vult=130mph (3-second gust) Vasd=103mph; TCDL=6.0psf; BCDL=6.0psf; h=25ft; Cat. II; Exp B; Enclosed; MWFRS (envelope) and C-C Exterior(2E) -0-7-14 to 2-4-2, Interior (1) 2-4-2 to 9-11-0, Exterior(2R) 9-11-0 to 12-11-0, Interior (1) 12-11-0 to 20-5-14 zone; C-C for members and forces & MWFRS for reactions shown; Lumber DOL=1.60 plate grip DOL=1.33
  - TCLL: ASCE 7-16; Pr=20.0 psf (roof LL: Lum DOL=1.15 Plate DOL=1.15); Pg=20.0 psf; Pf=13.9 psf (Lum DOL=1.15 Plate DOL=1.15); Is=1.0; Rough Cat B; Fully Exp.; Ce=0.9; Cs=1.00; Ct=1.10
  - Unbalanced snow loads have been considered for this design.
  - This truss has been designed for greater of min roof live load of 12.0 psf or 2.00 times flat roof load of 13.9 psf on overhangs non-concurrent with other live loads.
  - \* This truss has been designed for a live load of 20.0psf on the bottom chord in all areas where a rectangle 3-06-00 tall by 2-00-00 wide will fit between the bottom chord and any other members, with BCDL = 10.0psf.
  - This truss is designed in accordance with the 2018 International Residential Code sections R502.11.1 and R802.10.2 and referenced standard ANSI/TPI 1.

**LOAD CASE(S)** Standard

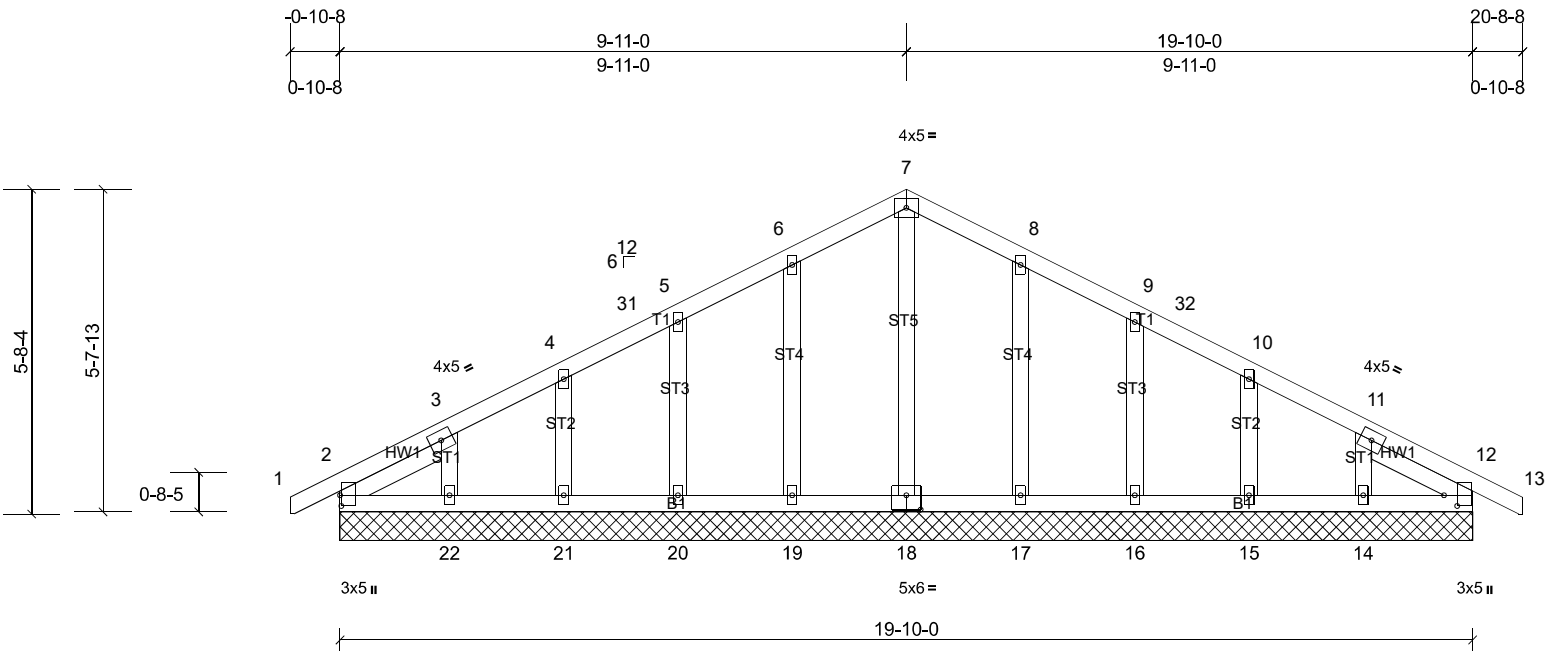
Job 20120029	Truss T1GE	Truss Type Common Supported Gable	Qty 1	Ply 1	4 Rosemont Job Reference (optional)
-----------------	---------------	--------------------------------------	----------	----------	--

Carter Components - Sanford, Sanford, NC, user

Run: 8.41 S Oct 26 2020 Print: 8.410 S Oct 26 2020 MiTek Industries, Inc. Thu Dec 31 10:44:54

Page: 1

ID:PR39KIPRvMP41daAV4UfOQy3VWv-GBFTpFKWosO?D7S?IEL\_MhetOn2HLg1hQlFXVjy3UM7



Scale = 1:40.3

Plate Offsets (X, Y): [2:0-2-4,0-0-4], [12:0-2-4,0-2-12], [18:0-3-0,0-3-0]

Loading	(psf)	Spacing	2-0-0	CSI	0.06	DEFL	in	(loc)	l/defl	L/d	PLATES	GRIP
TCLL (roof)	20.0	Plate Grip DOL	1.15	TC	0.06	Vert(LL)	n/a	-	n/a	999	MT20	244/190
Snow (Pf/Pg)	13.9/20.0	Lumber DOL	1.15	BC	0.03	Vert(CT)	n/a	-	n/a	999		
TCDL	10.0	Rep Stress Incr	YES	WB	0.07	Horz(CT)	0.00	12	n/a	n/a		
BCLL	0.0*	Code	IRC2018/TPI2014	Matrix-MSH								
BCDL	10.0										Weight: 110 lb	FT = 20%

**LUMBER**  
TOP CHORD 2x4 SP No.2  
BOT CHORD 2x4 SP No.2  
OTHERS 2x4 SP No.3 \*Except\* ST5:2x4 SP No.2  
SLIDER Left 2x4 SP No.3 -- 2-0-3, Right 2x4 SP No.3 -- 2-0-3

**BRACING**  
TOP CHORD  
BOT CHORD

Structural wood sheathing directly applied or 6-0-0 oc purlins.  
Rigid ceiling directly applied or 10-0-0 oc bracing.

MiTek recommends that Stabilizers and required cross bracing be installed during truss erection, in accordance with Stabilizer Installation guide.

**REACTIONS** All bearings 19-10-0.  
(lb) - Max Horiz 2=-55 (LC 13), 23=-55 (LC 13)  
Max Uplift All uplift 100 (lb) or less at joint(s) 2, 14, 15, 16, 17, 19, 20, 21, 22, 23  
Max Grav All reactions 250 (lb) or less at joint(s) 2, 12, 14, 15, 16, 17, 18, 19, 20, 21, 22, 23, 27

**FORCES** (lb) - Max. Comp./Max. Ten. - All forces 250 (lb) or less except when shown.

**NOTES**

- Unbalanced roof live loads have been considered for this design.
- Wind: ASCE 7-16; Vult=130mph (3-second gust) Vasd=103mph; TCDL=6.0psf; BCDL=6.0psf; h=25ft; Cat. II; Exp B; Enclosed; MWFRS (envelope) and C-C Corner(3E) -0-10-1 to 1-11-0, Exterior(2N) 1-11-0 to 9-11-0, Corner(3R) 9-11-0 to 12-11-0, Exterior(2N) 12-11-0 to 20-8-2 zone;C-C for members and forces & MWFRS for reactions shown; Lumber DOL=1.60 plate grip DOL=1.33
- Truss designed for wind loads in the plane of the truss only. For studs exposed to wind (normal to the face), see Standard Industry Gable End Details as applicable, or consult qualified building designer as per ANSI/TPI 1.
- TCLL: ASCE 7-16; Pr=20.0 psf (roof LL: Lum DOL=1.15 Plate DOL=1.15); Pg=20.0 psf; Pf=13.9 psf (Lum DOL=1.15 Plate DOL=1.15); Is=1.0; Rough Cat B; Fully Exp.; Ce=0.9; Cs=1.00; Ct=1.10
- Unbalanced snow loads have been considered for this design.
- This truss has been designed for greater of min roof live load of 12.0 psf or 2.00 times flat roof load of 13.9 psf on overhangs non-concurrent with other live loads.
- All plates are 2x4 MT20 unless otherwise indicated.
- Gable requires continuous bottom chord bearing.
- Gable studs spaced at 2-0-0 oc.
- \* This truss has been designed for a live load of 20.0psf on the bottom chord in all areas where a rectangle 3-06-00 tall by 2-00-00 wide will fit between the bottom chord and any other members.
- One RT7A USP connectors recommended to connect truss to bearing walls due to UPLIFT at jt(s) 2, 19, 20, 21, 22, 17, 16, 15, and 14. This connection is for uplift only and does not consider lateral forces.
- This truss is designed in accordance with the 2018 International Residential Code sections R502.11.1 and R802.10.2 and referenced standard ANSI/TPI 1.

**LOAD CASE(S)** Standard

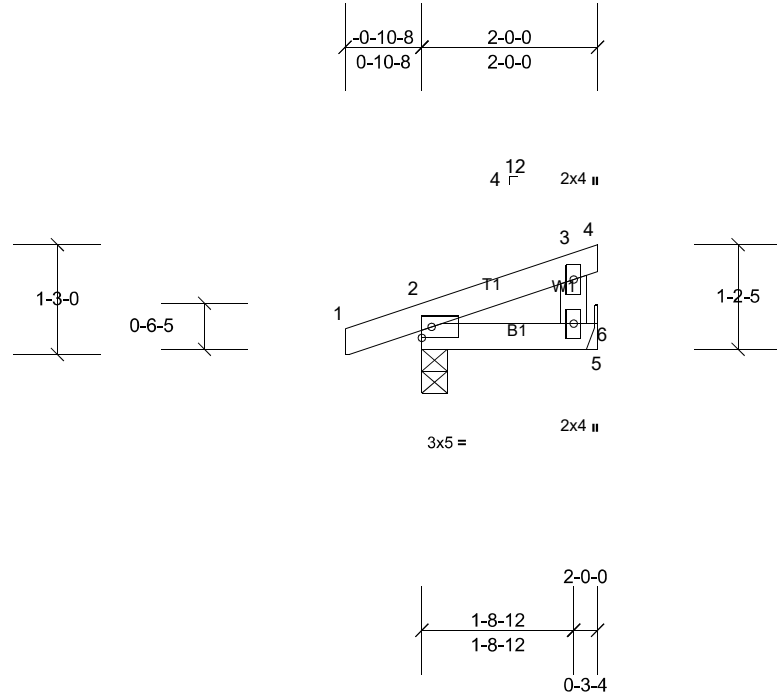
Job 20120029	Truss T2	Truss Type Monopitch	Qty 6	Ply 1	4 Rosemont Job Reference (optional)
-----------------	-------------	-------------------------	----------	----------	--

Carter Components - Sanford, Sanford, NC, user

Run: 8.41 S Oct 26 2020 Print: 8.410 S Oct 26 2020 MiTek Industries, Inc. Thu Dec 31 10:44:54

Page: 1

ID: sO1ijNYcR1VA9rbqywymny3VWVy-GBFTpFKWosO?D7S?iEL\_MhetOn23Lh2hQlfXVjy3UM7



Scale = 1:26.2

Loading	(psf)	Spacing	2-0-0	CSI	DEFL	in	(loc)	l/defl	L/d	PLATES	GRIP	
TCLL (roof)	20.0	Plate Grip DOL	1.15	TC	0.06	Vert(LL)	0.00	6-9	>999	240	MT20	244/190
Snow (Pf/Pg)	13.9/20.0	Lumber DOL	1.15	BC	0.04	Vert(CT)	0.00	6-9	>999	180		
TCDL	10.0	Rep Stress Incr	YES	WB	0.00	Horz(CT)	0.00	2	n/a	n/a		
BCLL	0.0*	Code	IRC2018/TPI2014	Matrix-MP								
BCDL	10.0										Weight: 8 lb	FT = 20%

**LUMBER**

TOP CHORD 2x4 SP No.2  
 BOT CHORD 2x4 SP No.2  
 WEBS 2x4 SP No.3

**BRACING**

TOP CHORD Structural wood sheathing directly applied or 2-0-0 oc purlins, except end verticals.  
 BOT CHORD Rigid ceiling directly applied or 10-0-0 oc bracing.

**REACTIONS** (lb/size) 2=117/0-3-8, (min. 0-1-8), 5=59/ Mechanical, (min. 0-1-8)  
 Max Horiz 2=27 (LC 11)  
 Max Uplift 2=-23 (LC 11), 5=-4 (LC 15)  
 Max Grav 2=153 (LC 22), 5=74 (LC 22)

MiTek recommends that Stabilizers and required cross bracing be installed during truss erection, in accordance with Stabilizer Installation guide.

**FORCES** (lb) - Max. Comp./Max. Ten. - All forces 250 (lb) or less except when shown.

**NOTES**

- Wind: ASCE 7-16; Vult=130mph (3-second gust) Vasd=103mph; TCDL=6.0psf; BCDL=6.0psf; h=25ft; Cat. II; Exp B; Enclosed; MWFRS (envelope) and C-C Exterior(2E) zone; C-C for members and forces & MWFRS for reactions shown; Lumber DOL=1.60 plate grip DOL=1.33
- TCLL: ASCE 7-16; Pr=20.0 psf (roof LL: Lum DOL=1.15 Plate DOL=1.15); Pg=20.0 psf; Pf=13.9 psf (Lum DOL=1.15 Plate DOL=1.15); Is=1.0; Rough Cat B; Fully Exp.; Ce=0.9; Cs=1.00; Ct=1.10
- Unbalanced snow loads have been considered for this design.
- This truss has been designed for greater of min roof live load of 12.0 psf or 2.00 times flat roof load of 13.9 psf on overhangs non-concurrent with other live loads.
- \* This truss has been designed for a live load of 20.0psf on the bottom chord in all areas where a rectangle 3-06-00 tall by 2-00-00 wide will fit between the bottom chord and any other members.
- Refer to girder(s) for truss to truss connections.
- Provide mechanical connection (by others) of truss to bearing plate capable of withstanding 4 lb uplift at jt(s) 5.
- One RT7A USP connectors recommended to connect truss to bearing walls due to UPLIFT at jt(s) 2. This connection is for uplift only and does not consider lateral forces.
- This truss is designed in accordance with the 2018 International Residential Code sections R502.11.1 and R802.10.2 and referenced standard ANSI/TPI 1.

**LOAD CASE(S)** Standard

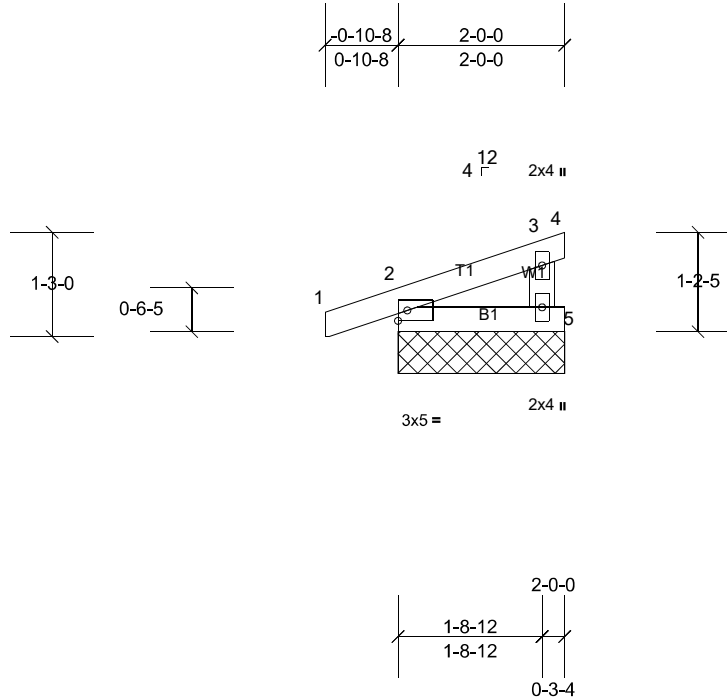
Job 20120029	Truss T2GE	Truss Type Monopitch Supported Gable	Qty 1	Ply 1	4 Rosemont Job Reference (optional)
-----------------	---------------	---	----------	----------	--

Carter Components - Sanford, Sanford, NC, user

Run: 8.41 S Oct 26 2020 Print: 8.410 S Oct 26 2020 MiTek Industries, Inc. Thu Dec 31 10:44:54

Page: 1

ID: \_sO1ijNYcR1VA9rbqywmny3VWY-GBFTpFKWosO?D7S?IEL\_MhesJn2QLh2hQifXVjy3UM7



Scale = 1:27.6

Loading	(psf)	Spacing	2-0-0	CSI		DEFL	in	(loc)	l/defl	L/d	PLATES	GRIP
TCLL (roof)	20.0	Plate Grip DOL	1.15	TC	0.07	Vert(LL)	n/a	-	n/a	999	MT20	244/190
Snow (Pf/Pg)	13.9/20.0	Lumber DOL	1.15	BC	0.02	Vert(CT)	n/a	-	n/a	999		
TCDL	10.0	Rep Stress Incr	YES	WB	0.00	Horz(CT)	0.00	4	n/a	n/a		
BCLL	0.0*	Code	IRC2018/TPI2014	Matrix-MP							Weight: 8 lb	FT = 20%
BCDL	10.0											

**LUMBER**

TOP CHORD 2x4 SP No.2  
 BOT CHORD 2x4 SP No.2  
 WEBS 2x4 SP No.3

**BRACING**

TOP CHORD  
 BOT CHORD

Structural wood sheathing directly applied or 2-0-0 oc purlins, except end verticals.  
 Rigid ceiling directly applied or 10-0-0 oc bracing.

**REACTIONS** All bearings 2-0-0.

(lb) - Max Horiz 2=28 (LC 11), 6=28 (LC 11)  
 Max Uplift All uplift 100 (lb) or less at joint(s) 2, 4, 5, 6  
 Max Grav All reactions 250 (lb) or less at joint(s) 2, 4, 5, 6

MiTek recommends that Stabilizers and required cross bracing be installed during truss erection, in accordance with Stabilizer Installation guide.

**FORCES**

(lb) - Max. Comp./Max. Ten. - All forces 250 (lb) or less except when shown.

**NOTES**

- 1) Wind: ASCE 7-16; Vult=130mph (3-second gust) Vasd=103mph; TCDL=6.0psf; BCDL=6.0psf; h=25ft; Cat. II; Exp B; Enclosed; MWFRS (envelope) and C-C Corner(3E) zone; C-C for members and forces & MWFRS for reactions shown; Lumber DOL=1.60 plate grip DOL=1.33
- 2) Truss designed for wind loads in the plane of the truss only. For studs exposed to wind (normal to the face), see Standard Industry Gable End Details as applicable, or consult qualified building designer as per ANSI/TPI 1.
- 3) TCLL: ASCE 7-16; Pr=20.0 psf (roof LL: Lum DOL=1.15 Plate DOL=1.15); Pg=20.0 psf; Pf=13.9 psf (Lum DOL=1.15 Plate DOL=1.15); Is=1.0; Rough Cat B; Fully Exp.; Ce=0.9; Cs=1.00; Ct=1.10
- 4) Unbalanced snow loads have been considered for this design.
- 5) This truss has been designed for greater of min roof live load of 12.0 psf or 2.00 times flat roof load of 13.9 psf on overhangs non-concurrent with other live loads.
- 6) Gable requires continuous bottom chord bearing.
- 7) Gable studs spaced at 2-0-0 oc.
- 8) \* This truss has been designed for a live load of 20.0psf on the bottom chord in all areas where a rectangle 3-06-00 tall by 2-00-00 wide will fit between the bottom chord and any other members.
- 9) One RT7A USP connectors recommended to connect truss to bearing walls due to UPLIFT at jt(s) 2 and 5. This connection is for uplift only and does not consider lateral forces.
- 10) One RT16A USP connectors recommended to connect truss to bearing walls due to UPLIFT at jt(s) 4. This connection is for uplift only and does not consider lateral forces.
- 11) Beveled plate or shim required to provide full bearing surface with truss chord at joint(s) 2, 6.
- 12) This truss is designed in accordance with the 2018 International Residential Code sections R502.11.1 and R802.10.2 and referenced standard ANSI/TPI 1.

**LOAD CASE(S)** Standard



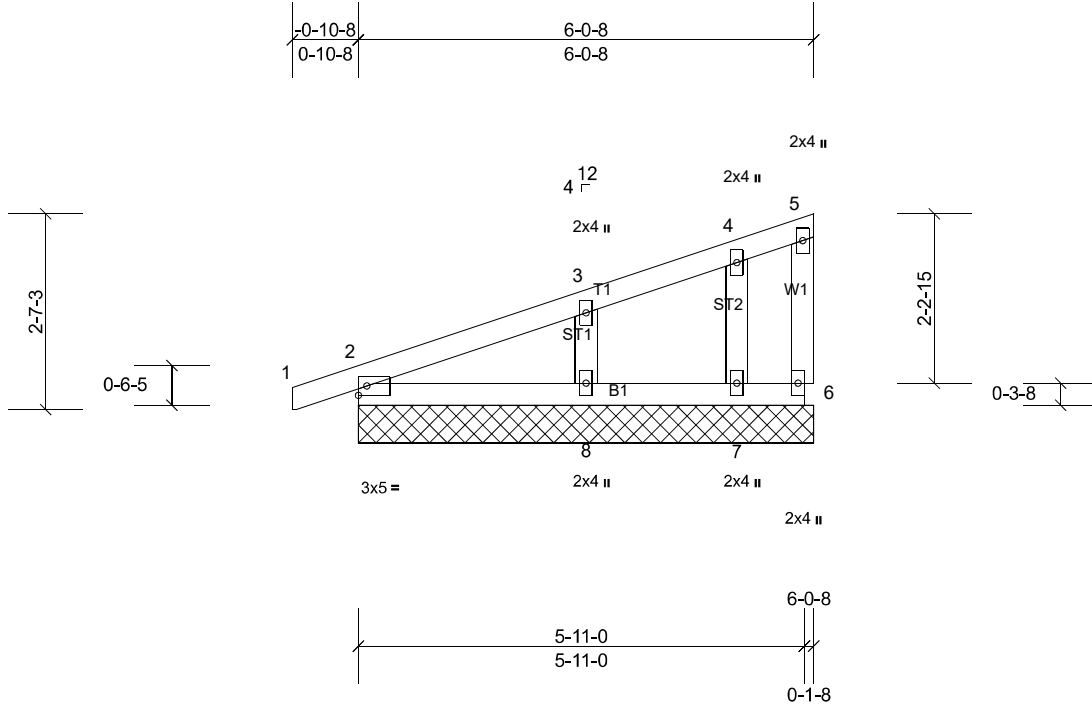
Job 20120029	Truss T3GE	Truss Type Monopitch Supported Gable	Qty 1	Ply 1	4 Rosemont Job Reference (optional)
-----------------	---------------	---	----------	----------	--

Carter Components - Sanford, Sanford, NC, user

Run: 8.41 S Oct 26 2020 Print: 8.410 S Oct 26 2020 MiTek Industries, Inc. Thu Dec 31 10:44:55

Page: 1

ID: \_sO1ijNYcR1VA9rbqywyyny3VVWY-kOpr0aL9ZAWsrH1BRxsDvvB1LBNW478qfPP419y3UM6



Scale = 1:30.6

Loading	(psf)	Spacing	2-0-0	CSI		DEFL	in	(loc)	l/defl	L/d	PLATES	GRIP
TCLL (roof)	20.0	Plate Grip DOL	1.15	TC	0.11	Vert(LL)	n/a	-	n/a	999	MT20	244/190
Snow (Pf/Pg)	13.9/20.0	Lumber DOL	1.15	BC	0.09	Vert(CT)	n/a	-	n/a	999		
TCDL	10.0	Rep Stress Incr	YES	WB	0.07	Horz(CT)	0.00	2	n/a	n/a		
BCLL	0.0*	Code	IRC2018/TPI2014	Matrix-MP								
BCDL	10.0										Weight: 27 lb	FT = 20%

**LUMBER**  
TOP CHORD 2x4 SP No.2  
BOT CHORD 2x4 SP No.2  
WEBS 2x4 SP No.3  
OTHERS 2x4 SP No.3

**BRACING**  
TOP CHORD  
BOT CHORD

Structural wood sheathing directly applied or 6-0-0 oc purlins, except end verticals.  
Rigid ceiling directly applied or 10-0-0 oc bracing.

**REACTIONS** All bearings 6-0-8.  
(b) - Max Horiz 2=61 (LC 11), 9=61 (LC 11)  
Max Uplift All uplift 100 (lb) or less at joint(s) 2, 6, 7, 8, 9  
Max Grav All reactions 250 (lb) or less at joint(s) 2, 6, 7, 9 except 8=281 (LC 22)

MiTek recommends that Stabilizers and required cross bracing be installed during truss erection, in accordance with Stabilizer Installation guide.

**FORCES** (lb) - Max. Comp./Max. Ten. - All forces 250 (lb) or less except when shown.  
WEBS 3-8=204/251

- NOTES**
- Wind: ASCE 7-16; Vult=130mph (3-second gust) Vasd=103mph; TCDL=6.0psf; BCDL=6.0psf; h=25ft; Cat. II; Exp B; Enclosed; MWFRS (envelope) and C-C Corner(3E) -0-10-3 to 2-1-13, Exterior(2N) 2-1-13 to 5-10-12 zone;C-C for members and forces & MWFRS for reactions shown; Lumber DOL=1.60 plate grip DOL=1.33
  - Truss designed for wind loads in the plane of the truss only. For studs exposed to wind (normal to the face), see Standard Industry Gable End Details as applicable, or consult qualified building designer as per ANSI/TPI 1.
  - TCLL: ASCE 7-16; Pr=20.0 psf (roof LL: Lum DOL=1.15 Plate DOL=1.15); Pg=20.0 psf; Pf=13.9 psf (Lum DOL=1.15 Plate DOL=1.15); Is=1.0; Rough Cat B; Fully Exp.; Ce=0.9; Cs=1.00; Ct=1.10
  - Unbalanced snow loads have been considered for this design.
  - This truss has been designed for greater of min roof live load of 12.0 psf or 2.00 times flat roof load of 13.9 psf on overhangs non-concurrent with other live loads.
  - Gable requires continuous bottom chord bearing.
  - Gable studs spaced at 2-0-0 oc.
  - \* This truss has been designed for a live load of 20.0psf on the bottom chord in all areas where a rectangle 3-06-00 tall by 2-00-00 wide will fit between the bottom chord and any other members.
  - One RT7A USP connectors recommended to connect truss to bearing walls due to UPLIFT at jt(s) 6, 2, 8, and 7. This connection is for uplift only and does not consider lateral forces.
  - This truss is designed in accordance with the 2018 International Residential Code sections R502.11.1 and R802.10.2 and referenced standard ANSI/TPI 1.

**LOAD CASE(S)** Standard

Job 20120029	Truss T4	Truss Type Common	Qty 2	Ply 1	4 Rosemont Job Reference (optional)
-----------------	-------------	----------------------	----------	----------	--

Carter Components - Sanford, Sanford, NC, user

Run: 8.41 S Oct 26 2020 Print: 8.410 S Oct 26 2020 MiTek Industries, Inc. Thu Dec 31 10:44:55

Page: 1

ID:2DkrjD8d4beCOEuxDT4VVny3VXF-kOpr0aL9ZAWsrH1BRxsDvvBw1B9R4\_zqfPP419y3UM6

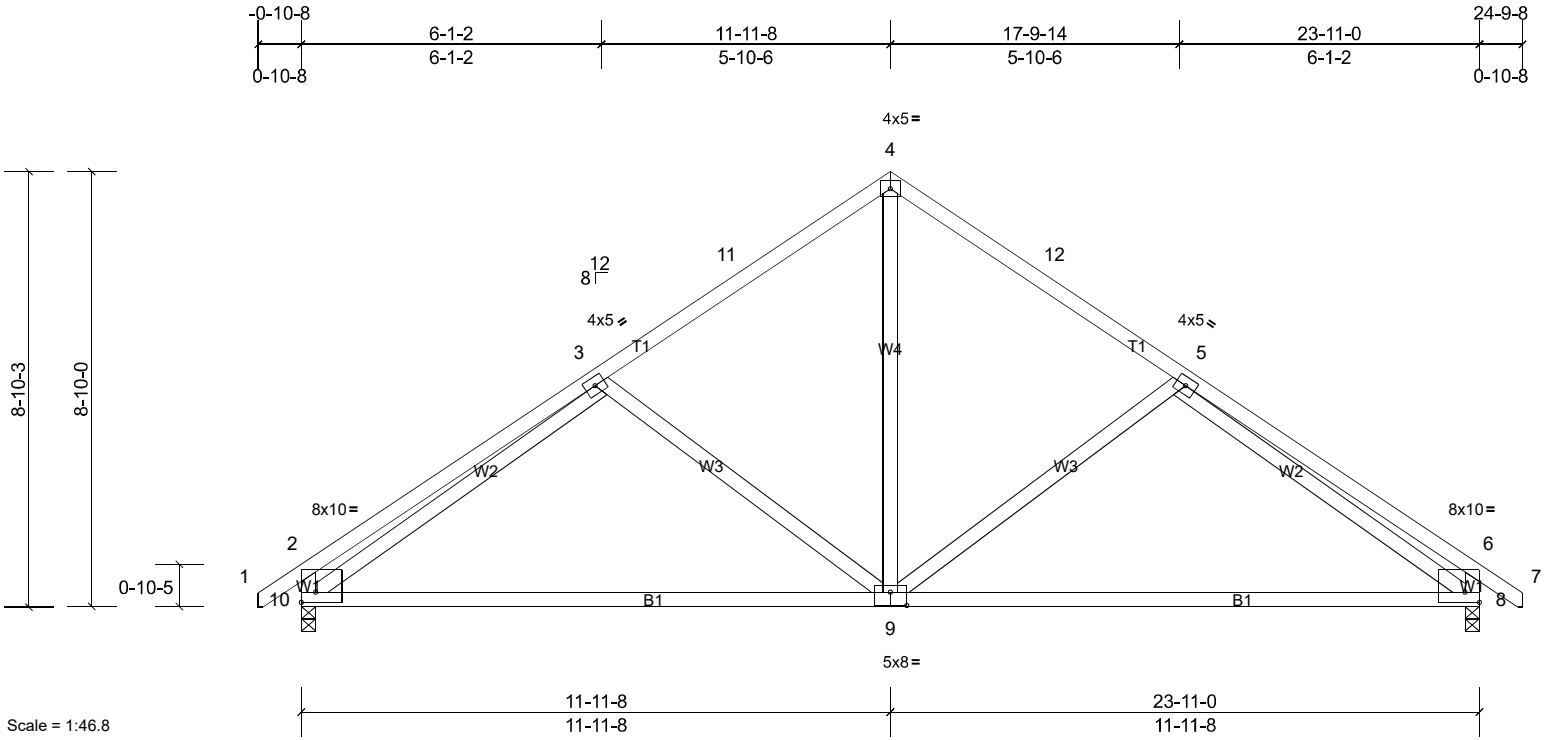


Plate Offsets (X, Y): [2:Edge,0-2-8], [6:Edge,0-2-8], [9:0-4-0,0-3-4]

Loading	(psf)	Spacing	2-0-0	CSI	DEFL	in	(loc)	l/defl	L/d	PLATES	GRIP	
TCLL (roof)	20.0	Plate Grip DOL	1.15	TC	0.52	Vert(LL)	-0.03	9	>999	240	MT20	244/190
Snow (Pf/Pg)	13.9/20.0	Lumber DOL	1.15	BC	0.99	Vert(CT)	-0.40	9-10	>715	180		
TCDL	10.0	Rep Stress Incr	YES	WB	0.66	Horz(CT)	0.04	8	n/a	n/a		
BCLL	0.0*	Code	IRC2018/TPI2014	Matrix-MSH								
BCDL	10.0											
											Weight: 138 lb	FT = 20%

**LUMBER**  
 TOP CHORD 2x4 SP No.2  
 BOT CHORD 2x4 SP No.2  
 WEBS 2x4 SP No.2 \*Except\* W1:2x4 SP No.3

**BRACING**  
 TOP CHORD Structural wood sheathing directly applied or 5-5-0 oc purlins, except end verticals.  
 BOT CHORD Rigid ceiling directly applied or 2-2-0 oc bracing.

**REACTIONS** (lb/size) 8=847/0-3-8, (min. 0-1-8), 10=847/0-3-8, (min. 0-1-8)  
 Max Horiz 10=-160 (LC 11)  
 Max Grav 8=1004 (LC 2), 10=1004 (LC 2)

MiTek recommends that Stabilizers and required cross bracing be installed during truss erection, in accordance with Stabilizer Installation guide.

**FORCES** (lb) - Max. Comp./Max. Ten. - All forces 250 (lb) or less except when shown.  
 TOP CHORD 2-3=-547/76, 3-11=-947/129, 4-11=-839/149, 4-12=-839/149, 5-12=-947/129, 5-6=-547/76, 2-10=-479/110, 6-8=-479/110  
 BOT CHORD 9-10=-39/930, 8-9=-42/921  
 WEBS 4-9=-36/601, 5-9=-309/169, 3-9=-308/169, 3-10=-687/86, 5-8=-687/86

- NOTES**
- Unbalanced roof live loads have been considered for this design.
  - Wind: ASCE 7-16; Vult=130mph (3-second gust) Vasd=103mph; TCDL=6.0psf; BCDL=6.0psf; h=25ft; Cat. II; Exp B; Enclosed; MWFRS (envelope) and C-C Exterior(2E) -0-10-0 to 2-2-0, Interior (1) 2-2-0 to 11-11-8, Exterior(2R) 11-11-8 to 14-11-8, Interior (1) 14-11-8 to 24-9-0 zone; C-C for members and forces & MWFRS for reactions shown; Lumber DOL=1.60 plate grip DOL=1.33
  - TCLL: ASCE 7-16; Pr=20.0 psf (roof LL: Lum DOL=1.15 Plate DOL=1.15); Pg=20.0 psf; Pf=13.9 psf (Lum DOL=1.15 Plate DOL=1.15); Is=1.0; Rough Cat B; Fully Exp.; Ce=0.9; Cs=1.00; Ct=1.10
  - This truss has been designed for greater of min roof live load of 12.0 psf or 2.00 times flat roof load of 13.9 psf on overhangs non-concurrent with other live loads.
  - \* This truss has been designed for a live load of 20.0psf on the bottom chord in all areas where a rectangle 3-06-00 tall by 2-00-00 wide will fit between the bottom chord and any other members.
  - This truss is designed in accordance with the 2018 International Residential Code sections R502.11.1 and R802.10.2 and referenced standard ANSI/TPI 1.

**LOAD CASE(S)** Standard

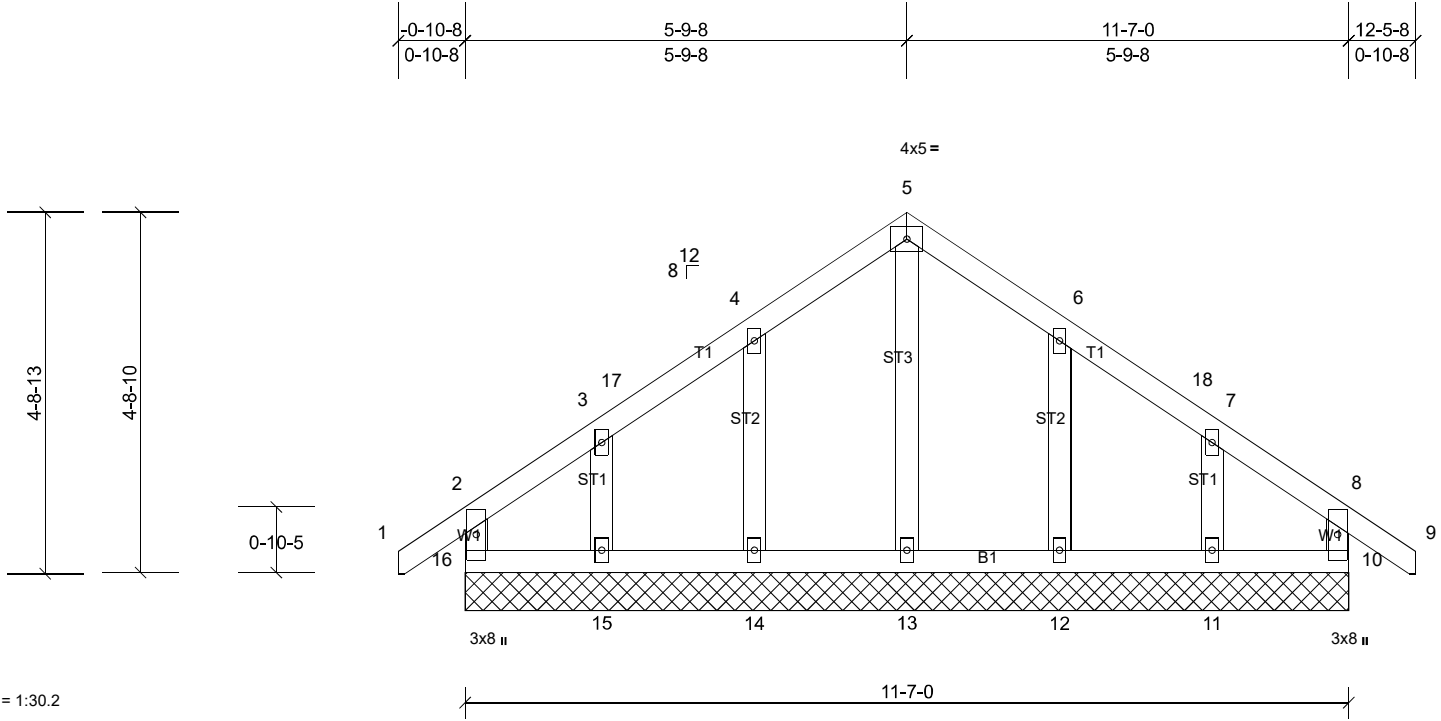
Job 20120029	Truss T4GE	Truss Type Common Supported Gable	Qty 1	Ply 1	4 Rosemont Job Reference (optional)
-----------------	---------------	--------------------------------------	----------	----------	--

Carter Components - Sanford, Sanford, NC, user

Run: 8.41 S Oct 26 2020 Print: 8.410 S Oct 26 2020 MiTek Industries, Inc. Thu Dec 31 10:44:55

Page: 1

ID:2DkrjD8d4beCOEuxDT4VVny3VXF-kOpr0aL9ZAWsrH1BRxsDvvB1GBOS48aqfPP419y3UM6



Scale = 1:30.2

Plate Offsets (X, Y): [10:0-1-8,0-0-4]

Loading	(psf)	Spacing	2-0-0	CSI	DEFL	in	(loc)	l/defl	L/d	PLATES	GRIP	
TCLL (roof)	20.0	Plate Grip DOL	1.15	TC	0.12	Vert(LL)	n/a	-	n/a	999	MT20	244/190
Snow (Pf/Pg)	13.9/20.0	Lumber DOL	1.15	BC	0.03	Vert(CT)	n/a	-	n/a	999		
TCDL	10.0	Rep Stress Incr	YES	WB	0.05	Horz(CT)	0.00	10	n/a	n/a		
BCLL	0.0*	Code	IRC2018/TPI2014	Matrix-MR								
BCDL	10.0											
											Weight: 62 lb	FT = 20%

**LUMBER**  
TOP CHORD 2x4 SP No.2  
BOT CHORD 2x4 SP No.2  
WEBS 2x4 SP No.3  
OTHERS 2x4 SP No.3

**BRACING**  
TOP CHORD Structural wood sheathing directly applied or 6-0-0 oc purlins, except end verticals.  
BOT CHORD Rigid ceiling directly applied or 6-0-0 oc bracing.

**REACTIONS** All bearings 11-7-0.  
(lb) - Max Horiz 16=83 (LC 12)  
Max Uplift All uplift 100 (lb) or less at joint(s) 10, 11, 12, 14, 15, 16  
Max Grav All reactions 250 (lb) or less at joint(s) 10, 11, 12, 13, 14, 15, 16

MiTek recommends that Stabilizers and required cross bracing be installed during truss erection, in accordance with Stabilizer Installation guide.

**FORCES** (lb) - Max. Comp./Max. Ten. - All forces 250 (lb) or less except when shown.

- NOTES**
- Unbalanced roof live loads have been considered for this design.
  - Wind: ASCE 7-16; Vult=130mph (3-second gust) Vasd=103mph; TCDL=6.0psf; BCDL=6.0psf; h=25ft; Cat. II; Exp B; Enclosed; MWFRS (envelope) and C-C Corner(3E) -0-10-0 to 2-2-0, Exterior(2N) 2-2-0 to 5-9-8, Corner(3R) 5-9-8 to 8-9-8, Exterior(2N) 8-9-8 to 12-5-0 zone; C-C for members and forces & MWFRS for reactions shown; Lumber DOL=1.60 plate grip DOL=1.33
  - Truss designed for wind loads in the plane of the truss only. For studs exposed to wind (normal to the face), see Standard Industry Gable End Details as applicable, or consult qualified building designer as per ANSI/TPI 1.
  - TCLL: ASCE 7-16; Pr=20.0 psf (roof LL: Lum DOL=1.15 Plate DOL=1.15); Pg=20.0 psf; Pf=13.9 psf (Lum DOL=1.15 Plate DOL=1.15); Is=1.0; Rough Cat B; Fully Exp.; Ce=0.9; Cs=1.00; Ct=1.10
  - This truss has been designed for greater of min roof live load of 12.0 psf or 2.00 times flat roof load of 13.9 psf on overhangs non-concurrent with other live loads.
  - All plates are 2x4 MT20 unless otherwise indicated.
  - Gable requires continuous bottom chord bearing.
  - Truss to be fully sheathed from one face or securely braced against lateral movement (i.e. diagonal web).
  - Gable studs spaced at 2-0-0 oc.
  - \* This truss has been designed for a live load of 20.0psf on the bottom chord in all areas where a rectangle 3-06-00 tall by 2-00-00 wide will fit between the bottom chord and any other members.
  - One RT7A USP connectors recommended to connect truss to bearing walls due to UPLIFT at jt(s) 16, 10, 14, 15, 12, and 11. This connection is for uplift only and does not consider lateral forces.
  - This truss is designed in accordance with the 2018 International Residential Code sections R502.11.1 and R802.10.2 and referenced standard ANSI/TPI 1.

**LOAD CASE(S)** Standard



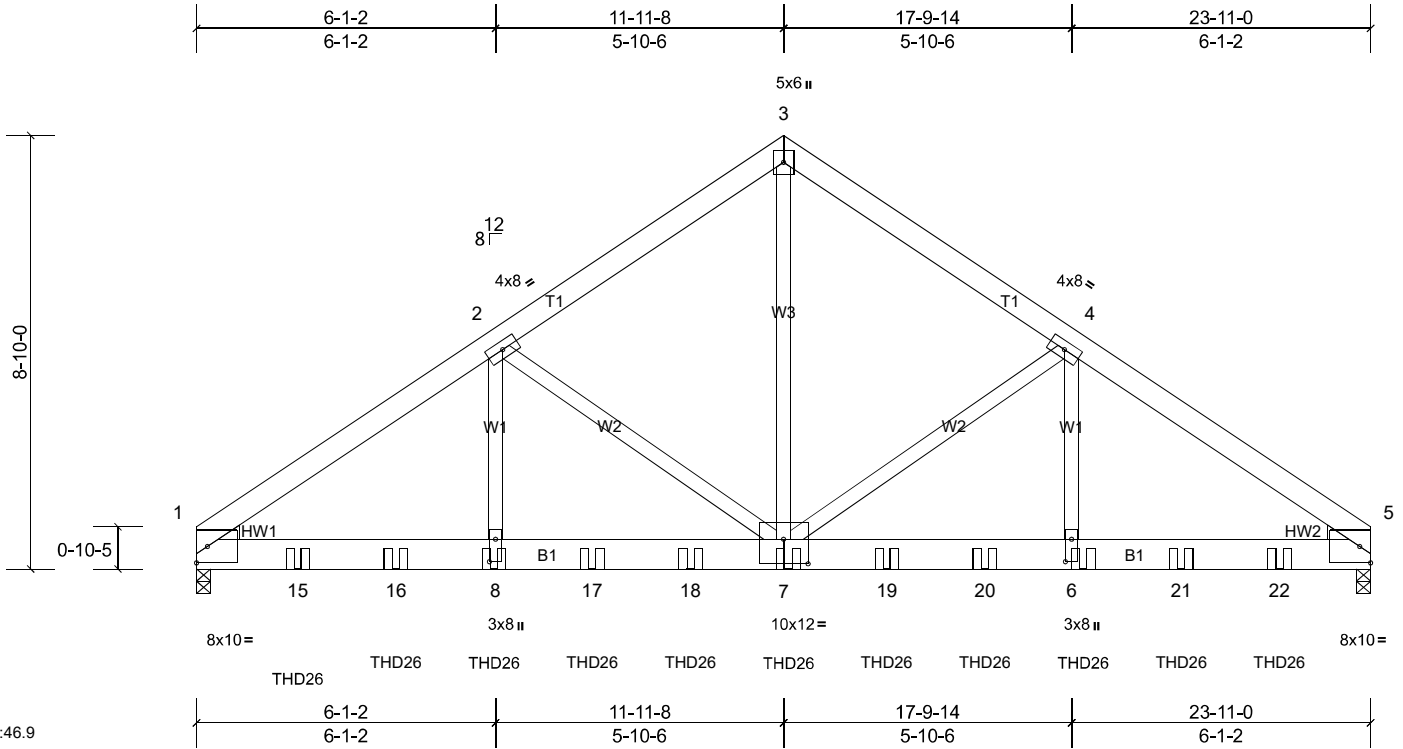
Job 20120029	Truss T4GR	Truss Type Common Girder	Qty 1	Ply 3	4 Rosemont Job Reference (optional)
-----------------	---------------	-----------------------------	----------	----------	--

Carter Components - Sanford, Sanford, NC, user

Run: 8.41 S Oct 26 2020 Print: 8.410 S Oct 26 2020 MiTek Industries, Inc. Thu Dec 31 10:44:56

Page: 1

ID: a1iu3hLgJWfwJi709qNF99y3VX?-kOpr0aL9ZAWsrH1BRxsDvvB\_7BlI4w7qfPP419y3UM6



Scale = 1:46.9

Plate Offsets (X, Y): [6:0-5-8,0-1-8], [7:0-6-0,0-6-0], [8:0-5-8,0-1-8]

Loading	(psf)	Spacing	2-0-0	CSI	DEFL	in	(loc)	l/defl	L/d	PLATES	GRIP	
TCLL (roof)	20.0	Plate Grip DOL	1.15	TC	0.32	Vert(LL)	-0.11	7-8	>999	240	MT20	244/190
Snow (Pf/Pg)	13.9/20.0	Lumber DOL	1.15	BC	0.40	Vert(CT)	-0.22	7-8	>999	180		
TCDL	10.0	Rep Stress Incr	NO	WB	0.91	Horz(CT)	0.05	5	n/a	n/a		
BCLL	0.0*	Code	IRC2018/TPI2014	Matrix-MSH								
BCDL	10.0											
											Weight: 560 lb	FT = 20%

**LUMBER**  
TOP CHORD 2x6 SP No.2  
BOT CHORD 2x8 SP 2400F 2.0E  
WEBS 2x4 SP No.2 \*Except\* W1:2x4 SP No.3  
WEDGE Left: 2x4 SP No.3  
Right: 2x4 SP No.3

**BRACING**  
TOP CHORD Structural wood sheathing directly applied or 6'-0-0 oc purlins.  
BOT CHORD Rigid ceiling directly applied or 10'-0-0 oc bracing.

**REACTIONS** (lb/size) 1=8043/0-3-8, (min. 0-2-15), 5=8135/0-3-8, (min. 0-2-15)  
Max Horiz 1=-150 (LC 5)  
Max Grav 1=10584 (LC 20), 5=10708 (LC 21)

**FORCES** (lb) - Max. Comp./Max. Ten. - All forces 250 (lb) or less except when shown.  
TOP CHORD 1-2=-14837/0, 2-3=-10497/0, 3-4=-10497/0, 4-5=-14836/0  
BOT CHORD 1-15=0/12327, 15-16=0/12327, 8-16=0/12327, 8-17=0/12327, 17-18=0/12327, 7-18=0/12327, 7-19=0/12221,  
19-20=0/12221, 6-20=0/12221, 6-21=0/12221, 21-22=0/12221, 5-22=0/12221  
WEBS 2-8=0/4846, 2-7=-4441/0, 3-7=0/11131, 4-7=-4441/0, 4-6=0/4844

- NOTES**
- 3-ply truss to be connected together with 10d (0.131"x3") nails as follows:  
Top chords connected as follows: 2x6 - 2 rows staggered at 0-9-0 oc.  
Bottom chords connected as follows: 2x8 - 4 rows staggered at 0-9-0 oc.  
Web connected as follows: 2x4 - 1 row at 0-9-0 oc.
  - All loads are considered equally applied to all plies, except if noted as front (F) or back (B) face in the LOAD CASE(S) section. Ply to ply connections have been provided to distribute only loads noted as (F) or (B), unless otherwise indicated.
  - Unbalanced roof live loads have been considered for this design.
  - Wind: ASCE 7-16; Vult=130mph (3-second gust) Vasd=103mph; TCCL=6.0psf; BCDL=6.0psf; h=25ft; Cat. II; Exp B; Enclosed; MWFRS (envelope); Lumber DOL=1.60 plate grip DOL=1.33
  - TCLL: ASCE 7-16; Pr=20.0 psf (roof LL: Lum DOL=1.15 Plate DOL=1.15); Pg=20.0 psf; Pf=13.9 psf (Lum DOL=1.15 Plate DOL=1.15); Is=1.0; Rough Cat B; Fully Exp.; Ce=0.9; Cs=1.00; Ct=1.10
  - \* This truss has been designed for a live load of 20.0psf on the bottom chord in all areas where a rectangle 3'-06"-00 tall by 2'-00"-00 wide will fit between the bottom chord and any other members.
  - This truss is designed in accordance with the 2018 International Residential Code sections R502.11.1 and R802.10.2 and referenced standard ANSI/TPI 1.
  - Use USP THD26 (With 18-16d nails into Girder & 12-10d x 1-1/2 nails into Truss) or equivalent spaced at 2'-0-0 oc max. starting at 2'-0-12 from the left end to 22'-0-12 to connect truss(es) T5A (1 ply 2x6 SP) to back face of bottom chord.
  - Fill all nail holes where hanger is in contact with lumber.

**LOAD CASE(S)** Standard  
1) Dead + Snow (balanced): Lumber Increase=1.15, Plate Increase=1.15  
Uniform Loads (lb/ft)  
Vert: 1-3=-48, 3-5=-48, 9-12=-20  
Concentrated Loads (lb)

Job 20120029	Truss T4GR	Truss Type Common Girder	Qty 1	Ply 3	4 Rosemont Job Reference (optional)
-----------------	---------------	-----------------------------	----------	----------	--

Vert: 8=-1324 (B), 7=-1324 (B), 6=-1324 (B), 15=-1324 (B), 16=-1324 (B), 17=-1324 (B), 18=-1324 (B), 19=-1324 (B), 20=-1324 (B), 21=-1324 (B), 22=-1324 (B)

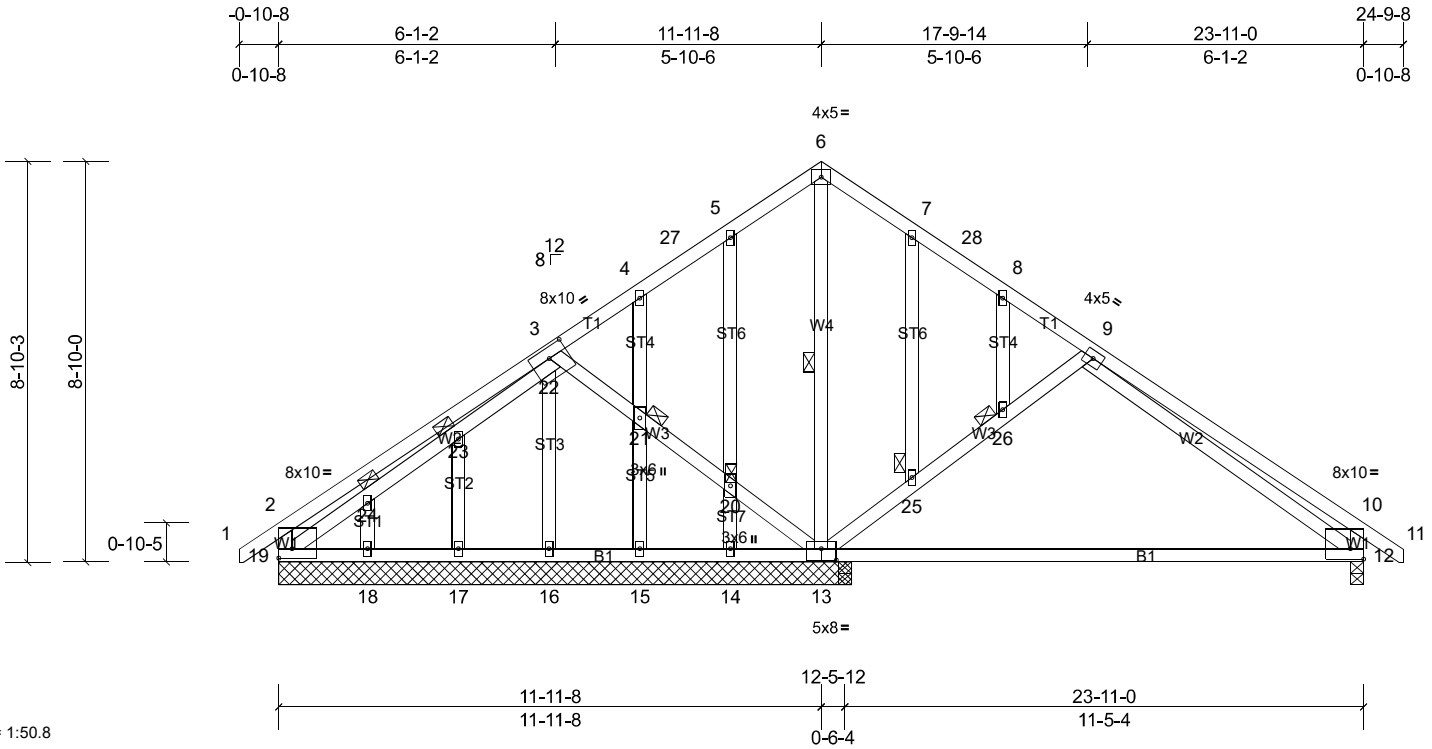
Job 20120029	Truss T4SE	Truss Type Common Structural Gable	Qty 1	Ply 1	4 Rosemont Job Reference (optional)
-----------------	---------------	---------------------------------------	----------	----------	--

Carter Components - Sanford, Sanford, NC, user

Run: 8.41 S Oct 26 2020 Print: 8.410 S Oct 26 2020 MiTek Industries, Inc. Thu Dec 31 10:44:56

Page: 1

ID: tM56zGD0gROL69M5ZjBvl2y3VX9-DaNDdWmNKTjSRcO\_eNSS6j5QaYKpYF\_t39eaby3UM5



Scale = 1:50.8

Plate Offsets (X, Y): [2:Edge,0-2-8], [3:0-5-0,0-2-12], [10:Edge,0-2-12], [13:0-4-0,0-3-0]

Loading	(psf)	Spacing	2-0-0	CSI	0.54	DEFL	in (loc)	l/defl	L/d	PLATES	GRIP
TCLL (roof)	20.0	Plate Grip DOL	1.15	TC	0.54	Vert(LL)	0.00 12-13	>999	240	MT20	244/190
Snow (Pf/Pg)	13.9/20.0	Lumber DOL	1.15	BC	0.82	Vert(CT)	-0.43 12-13	>329	180		
TCDL	10.0	Rep Stress Incr	YES	WB	0.21	Horz(CT)	0.01 12	n/a	n/a		
BCLL	0.0*	Code	IRC2018/TPI2014	Matrix-MSH							
BCDL	10.0										Weight: 180 lb FT = 20%

**LUMBER**  
TOP CHORD 2x4 SP No.2  
BOT CHORD 2x4 SP No.2  
WEBS 2x4 SP No.2 \*Except\* W1:2x4 SP No.3  
OTHERS 2x4 SP No.3 \*Except\* ST6:2x4 SP No.2

**BRACING**  
TOP CHORD Structural wood sheathing directly applied or 6-0-0 oc purlins, except end verticals.  
BOT CHORD Rigid ceiling directly applied or 10-0-0 oc bracing.  
WEBS 1 Row at midpt 6-13  
JOINTS 1 Brace at Jt(s): 20, 21, 23, 24, 25, 26

**REACTIONS** All bearings 12-7-8. except 12=0-3-8  
(lb) - Max Horiz 19=160 (LC 12)  
Max Uplift All uplift 100 (lb) or less at joint(s) 12, 19 except 14=171 (LC 17)  
Max Grav All reactions 250 (lb) or less at joint(s) 14, 15, 16, 17, 18 except 12=509 (LC 2), 13=841 (LC 2), 19=317 (LC 31)

MiTek recommends that Stabilizers and required cross bracing be installed during truss erection, in accordance with Stabilizer Installation guide.

**FORCES** (lb) - Max. Comp./Max. Ten. - All forces 250 (lb) or less except when shown.  
TOP CHORD 2-3=-294/167, 9-10=-505/67, 2-19=-343/162, 10-12=-451/106  
BOT CHORD 12-13=0/278  
WEBS 13-25=-389/184, 25-26=-350/163, 9-26=-353/164

- NOTES**
- Unbalanced roof live loads have been considered for this design.
  - Wind: ASCE 7-16; Vult=130mph (3-second gust) Vasd=103mph; TCDL=6.0psf; BCDL=6.0psf; h=25ft; Cat. II; Exp B; Enclosed; MWFRS (envelope) and C-C Exterior(2E) -0-10-0 to 2-2-0, Interior (1) 2-2-0 to 11-11-8, Exterior(2R) 11-11-8 to 14-11-8, Interior (1) 14-11-8 to 24-9-0 zone;C-C for members and forces & MWFRS for reactions shown; Lumber DOL=1.60 plate grip DOL=1.33
  - Truss designed for wind loads in the plane of the truss only. For studs exposed to wind (normal to the face), see Standard Industry Gable End Details as applicable, or consult qualified building designer as per ANSI/TPI 1.
  - TCLL: ASCE 7-16; Pr=20.0 psf (roof LL: Lum DOL=1.15 Plate DOL=1.15); Pg=20.0 psf, Pf=13.9 psf (Lum DOL=1.15 Plate DOL=1.15); Is=1.0; Rough Cat B; Fully Exp.; Ce=0.9; Cs=1.00; Ct=1.10
  - This truss has been designed for greater of min roof live load of 12.0 psf or 2.00 times flat roof load of 13.9 psf on overhangs non-concurrent with other live loads.
  - All plates are 2x4 MT20 unless otherwise indicated.
  - Gable studs spaced at 2-0-0 oc.
  - \* This truss has been designed for a live load of 20.0psf on the bottom chord in all areas where a rectangle 3-06-00 tall by 2-00-00 wide will fit between the bottom chord and any other members.
  - One RT7A USP connectors recommended to connect truss to bearing walls due to UPLIFT at jt(s) 19, 12, and 14. This connection is for uplift only and does not consider lateral forces.
  - This truss is designed in accordance with the 2018 International Residential Code sections R502.11.1 and R802.10.2 and referenced standard ANSI/TPI 1.

**LOAD CASE(S)** Standard

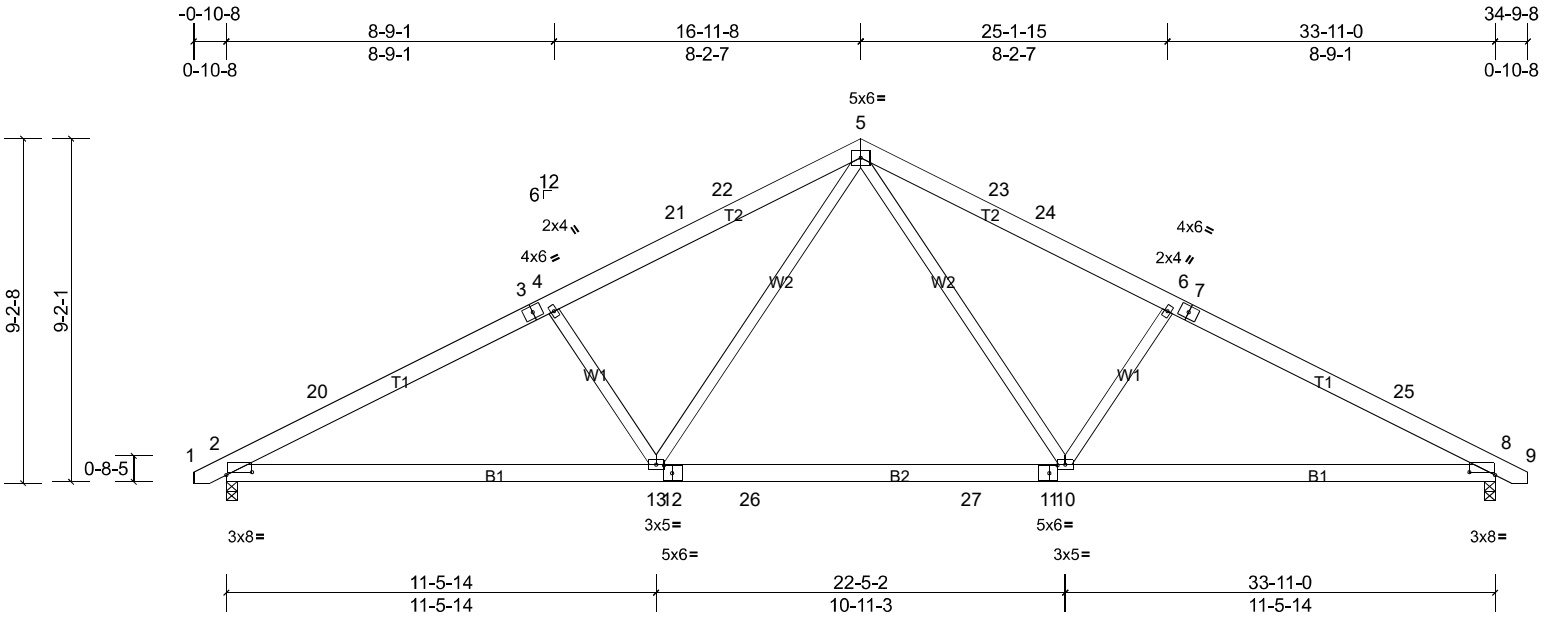
Job 20120029	Truss T5	Truss Type Common	Qty 5	Ply 1	4 Rosemont Job Reference (optional)
-----------------	-------------	----------------------	----------	----------	--

Carter Components - Sanford, Sanford, NC, user

Run: 8.41 S Oct 26 2020 Print: 8.410 S Oct 26 2020 MiTek Industries, Inc. Thu Dec 31 10:44:56

Page: 1

ID:LZfUBcE1RIWCKJwH7Rj8HFy3VX8-DaNDdWmNkTfjSRcO\_eNSS6j7VaZHpxF\_t39eaby3UM5



Scale = 1:61.6

Plate Offsets (X, Y): [2:0-8-4,0-0-15], [8:0-8-4,0-0-15], [11:0-2-10,0-2-8], [12:0-2-10,0-2-8]

Loading	(psf)	Spacing	2-0-0	CSI		DEFL	in	(loc)	l/defl	L/d	PLATES	GRIP
TCLL (roof)	20.0	Plate Grip DOL	1.15	TC	0.41	Vert(LL)	-0.19	10-13	>999	240	MT20	244/190
Snow (Pf/Pg)	13.9/20.0	Lumber DOL	1.15	BC	0.76	Vert(CT)	-0.30	10-13	>999	180		
TCDL	10.0	Rep Stress Incr	YES	WB	0.28	Horz(CT)	0.06	8	n/a	n/a		
BCLL	0.0*	Code	IRC2018/TPI2014	Matrix-MSH								
BCDL	10.0										Weight: 217 lb	FT = 20%

**LUMBER**  
 TOP CHORD 2x6 SP No.2  
 BOT CHORD 2x6 SP No.2  
 WEBS 2x4 SP No.2 \*Except\* W1:2x4 SP No.3

**BRACING**  
 TOP CHORD  
 BOT CHORD

Structural wood sheathing directly applied or 4-4-14 oc purlins.  
 Rigid ceiling directly applied or 10-0-0 oc bracing.

MiTek recommends that Stabilizers and required cross bracing be installed during truss erection, in accordance with Stabilizer Installation guide.

**REACTIONS** (lb/size) 2=1180/0-3-8, (min. 0-1-13), 8=1180/0-3-8, (min. 0-1-13)  
 Max Horiz 2=90 (LC 14)  
 Max Grav 2=1519 (LC 3), 8=1519 (LC 3)

**FORCES** (lb) - Max. Comp./Max. Ten. - All forces 250 (lb) or less except when shown.  
 TOP CHORD 2-20=-2530/209, 3-20=-2452/246, 3-4=-2349/248, 4-21=-2308/249, 21-22=-2207/253, 5-22=-2198/274, 5-23=-2198/274,  
 23-24=-2207/253, 6-24=-2308/249, 6-7=-2349/248, 7-25=-2452/246, 8-25=-2530/209  
 BOT CHORD 2-13=-123/2227, 12-13=0/1481, 12-26=0/1481, 26-27=0/1481, 11-27=0/1481, 10-11=0/1481, 8-10=-122/2193  
 WEBS 5-10=-41/966, 6-10=-505/199, 5-13=-41/966, 4-13=-505/199

- NOTES**
- Unbalanced roof live loads have been considered for this design.
  - Wind: ASCE 7-16; Vult=130mph (3-second gust) Vasd=103mph; TCDL=6.0psf; BCDL=6.0psf; h=25ft; Cat. II; Exp B; Enclosed; MWFRS (envelope) and C-C Exterior(2E) -0-7-14 to 2-8-14, Interior (1) 2-8-14 to 16-11-8, Exterior(2R) 16-11-8 to 20-4-3, Interior (1) 20-4-3 to 34-6-14 zone;C-C for members and forces & MWFRS for reactions shown; Lumber DOL=1.60 plate grip DOL=1.33
  - TCLL: ASCE 7-16; Pr=20.0 psf (roof LL: Lum DOL=1.15 Plate DOL=1.15); Pg=20.0 psf; Pf=13.9 psf (Lum DOL=1.15 Plate DOL=1.15); Is=1.0; Rough Cat B; Fully Exp.; Ce=0.9; Cs=1.00; Ct=1.10
  - Unbalanced snow loads have been considered for this design.
  - This truss has been designed for greater of min roof live load of 12.0 psf or 2.00 times flat roof load of 13.9 psf on overhangs non-concurrent with other live loads.
  - \* This truss has been designed for a live load of 20.0psf on the bottom chord in all areas where a rectangle 3-06-00 tall by 2-00-00 wide will fit between the bottom chord and any other members, with BCDL = 10.0psf.
  - This truss is designed in accordance with the 2018 International Residential Code sections R502.11.1 and R802.10.2 and referenced standard ANSI/TPI 1.

**LOAD CASE(S)** Standard

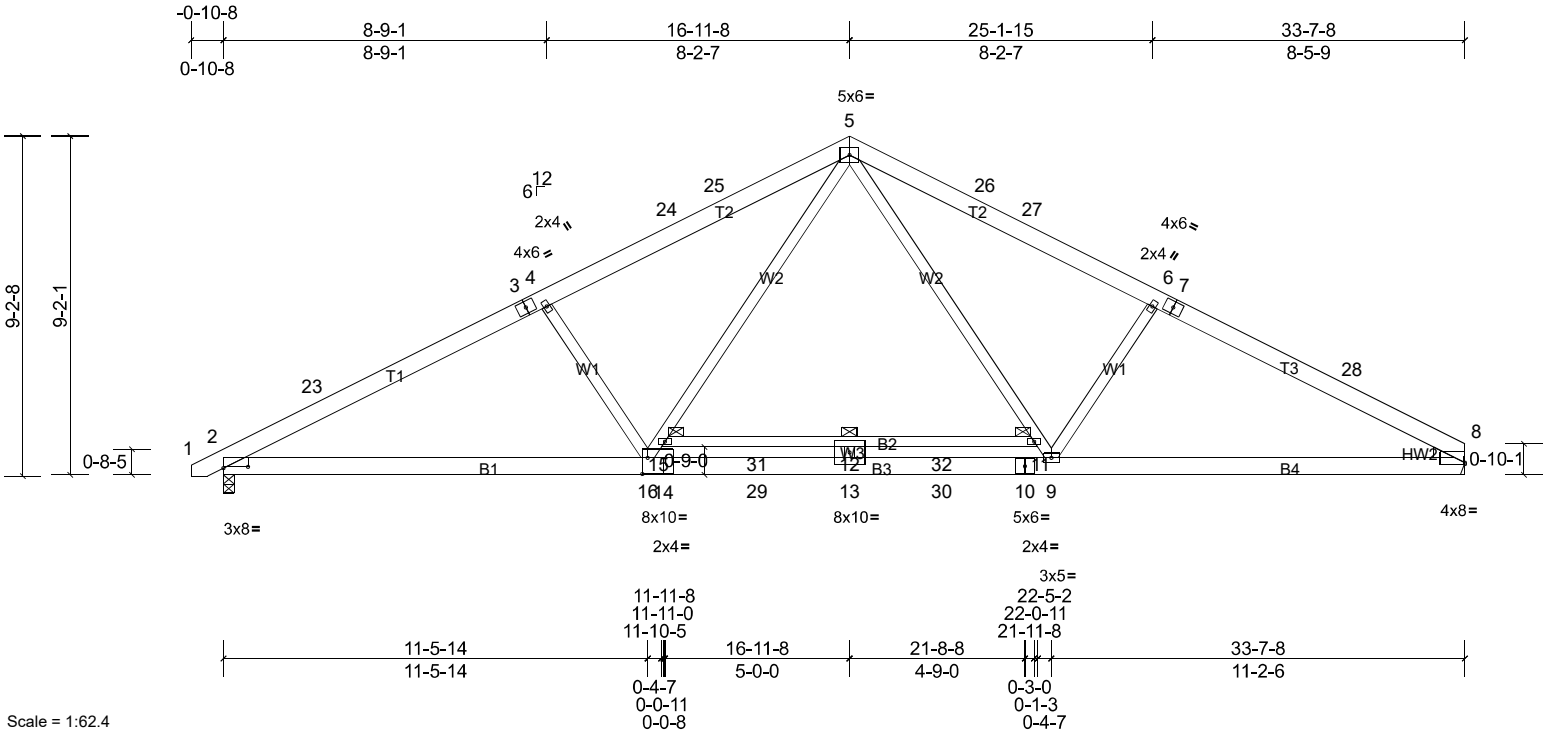
Job 20120029	Truss T5A	Truss Type Common	Qty 11	Ply 1	4 Rosemont Job Reference (optional)
-----------------	--------------	----------------------	-----------	----------	--

Carter Components - Sanford, Sanford, NC, user

Run: 8.41 S Oct 26 2020 Print: 8.410 S Oct 26 2020 MiTek Industries, Inc. Thu Dec 31 10:44:56

Page: 1

ID:WTNEKH9FH9Vr4Pfw\_IJ\_Jy3VX3-DaNDDwMnKTfjSRcO\_eNSS6j5SabWpUU\_t39eaby3UM5



Scale = 1:62.4

Plate Offsets (X, Y): [2:0-8-0,0-0-7], [8:Edge,0-0-7], [14:0-1-12,0-5-4]

Loading	(psf)	Spacing	2-0-0	CSI	0.54	DEFL	in (loc)	l/defl	L/d	PLATES	GRIP	
TCLL (roof)	20.0	Plate Grip DOL	1.15	TC	0.54	Vert(LL)	-0.27	12	>999	240	MT20	244/190
Snow (Pf/Pg)	13.9/20.0	Lumber DOL	1.15	BC	0.62	Vert(CT)	-0.57	12	>714	180		
TCDL	10.0	Rep Stress Incr	YES	WB	0.45	Horz(CT)	0.07	8	n/a	n/a		
BCLL	0.0*	Code	IRC2018/TPI2014	Matrix-MSH								
BCDL	10.0											
											Weight: 230 lb	FT = 20%

**LUMBER**

TOP CHORD 2x6 SP No.2  
 BOT CHORD 2x6 SP 2400F 2.0E \*Except\* B2:2x4 SP No.2  
 WEBS 2x4 SP No.3 \*Except\* W2:2x4 SP No.2  
 WEDGE Right: 2x4 SP No.3

**BRACING**

TOP CHORD  
 BOT CHORD

Structural wood sheathing directly applied or 3-8-4 oc purlins.  
 Rigid ceiling directly applied or 10-0-0 oc bracing. Except:  
 6-0-0 oc bracing: 11-15

**REACTIONS** (lb/size) 2=1372/0-3-8, (min. 0-1-8), 8=1344/ Mechanical, (min. 0-1-8)  
 Max Horiz 2=92 (LC 12)  
 Max Grav 2=1815 (LC 3), 8=1788 (LC 3)

MiTek recommends that Stabilizers and required cross bracing be installed during truss erection, in accordance with Stabilizer Installation guide.

**FORCES** (lb) - Max. Comp./Max. Ten. - All forces 250 (lb) or less except when shown.  
 TOP CHORD 2-23=-3213/0, 3-23=-3122/0, 3-4=-3033/0, 4-24=-2995/0, 24-25=-2899/0, 5-25=-2884/0, 5-26=-2826/0, 26-27=-2844/0,  
 6-27=-2937/0, 6-7=-2970/0, 7-28=-3045/0, 8-28=-3151/0  
 BOT CHORD 2-16=0/2823, 14-16=0/2113, 14-29=0/2113, 13-29=0/2113, 13-30=0/2113, 10-30=0/2113, 9-10=0/2113, 8-9=0/2723  
 WEBS 5-11=0/1261, 9-11=0/1060, 6-9=-451/218, 15-16=0/1148, 5-15=0/1353, 4-16=-479/216, 12-13=-276/0

**NOTES**

- Unbalanced roof live loads have been considered for this design.
- Wind: ASCE 7-16; Vult=130mph (3-second gust) Vasd=103mph; TCDL=6.0psf; BCDL=6.0psf; h=25ft; Cat. II; Exp B; Enclosed; MWFRS (envelope) and C-C Exterior(2E) -0-7-14 to 2-8-8; Interior (1) 2-8-8 to 16-11-8, Exterior(2R) 16-11-8 to 20-3-14, Interior (1) 20-3-14 to 33-7-8 zone; C-C for members and forces & MWFRS for reactions shown; Lumber DOL=1.60 plate grip DOL=1.33
- TCLL: ASCE 7-16; Pr=20.0 psf (roof LL: Lum DOL=1.15 Plate DOL=1.15); Pg=20.0 psf; Pf=13.9 psf (Lum DOL=1.15 Plate DOL=1.15); Is=1.0; Rough Cat B; Fully Exp.; Ce=0.9; Cs=1.00; Ct=1.10
- Unbalanced snow loads have been considered for this design.
- This truss has been designed for greater of min roof live load of 12.0 psf or 2.00 times flat roof load of 13.9 psf on overhangs non-concurrent with other live loads.
- 200.0lb AC unit load placed on the bottom chord, 16-11-8 from left end, supported at two points, 5-0-0 apart.
- \* This truss has been designed for a live load of 20.0psf on the bottom chord in all areas where a rectangle 3-06-00 tall by 2-00-00 wide will fit between the bottom chord and any other members, with BCDL = 10.0psf.
- Refer to girder(s) for truss to truss connections.
- This truss is designed in accordance with the 2018 International Residential Code sections R502.11.1 and R802.10.2 and referenced standard ANSI/TPI 1.

**LOAD CASE(S)** Standard

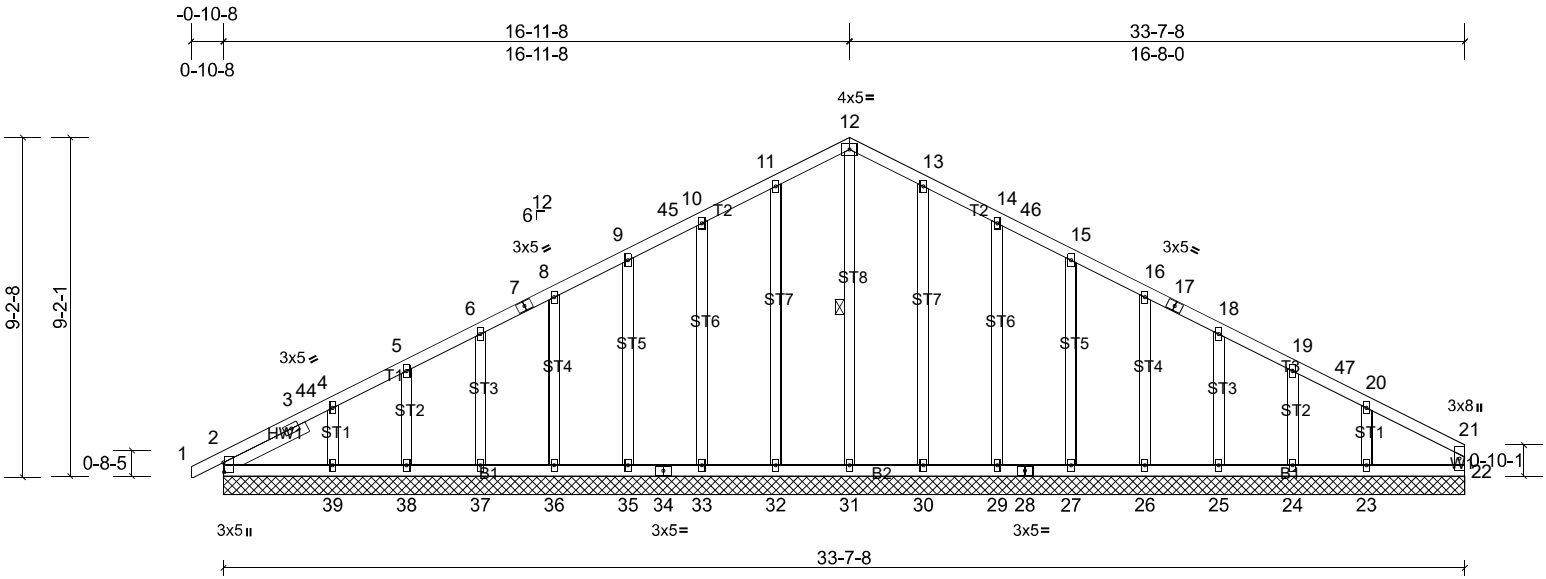
Job 20120029	Truss T5AGE	Truss Type Common Supported Gable	Qty 1	Ply 1	4 Rosemont Job Reference (optional)
-----------------	----------------	--------------------------------------	----------	----------	--

Carter Components - Sanford, Sanford, NC, user

Run: 8.41 S Oct 26 2020 Print: 8.410 S Oct 26 2020 MiTek Industries, Inc. Thu Dec 31 10:44:57

Page: 1

ID:plDIoyEFC3e3MTVUh8ENqTy3VX7-hmxbRGMP5nna4bBaYMUh\_KGN9\_4QY??76iuB62y3UM4



Scale = 1:62.4

Plate Offsets (X, Y): [2:0-3-2,0-0-4]

Loading	(psf)	Spacing	2-0-0	CSI	0.09	DEFL	in	(loc)	l/defl	L/d	PLATES	GRIP
TCLL (roof)	20.0	Plate Grip DOL	1.15	TC	0.09	Vert(LL)	n/a	-	n/a	999	MT20	244/190
Snow (Pf/Pg)	13.9/20.0	Lumber DOL	1.15	BC	0.06	Vert(CT)	n/a	-	n/a	999		
TCDL	10.0	Rep Stress Incr	YES	WB	0.18	Horz(CT)	0.00	22	n/a	n/a		
BCLL	0.0*	Code	IRC2018/TPI2014	Matrix-MSH								
BCDL	10.0											
											Weight: 221 lb	FT = 20%

**LUMBER**

TOP CHORD	2x4 SP No.2
BOT CHORD	2x4 SP No.2
WEBS	2x4 SP No.3
OTHERS	2x4 SP No.3 *Except* ST8,ST7,ST6,ST5:2x4 SP No.2
SLIDER	Left 2x4 SP No.3 -- 2-6-0

**BRACING**

TOP CHORD	Structural wood sheathing directly applied or 6-0-0 oc purlins, except end verticals.
BOT CHORD	Rigid ceiling directly applied or 10-0-0 oc bracing.
WEBS	1 Row at midpt 12-31

MiTek recommends that Stabilizers and required cross bracing be installed during truss erection, in accordance with Stabilizer Installation guide.

**REACTIONS** All bearings 33-7-8.

- (lb) - Max Horiz 2=94 (LC 12), 40=94 (LC 2)
- Max Uplift All uplift 100 (lb) or less at joint(s) 2, 23, 24, 25, 26, 27, 29, 30, 32, 33, 35, 36, 37, 38, 39, 40
- Max Grav All reactions 250 (lb) or less at joint(s) 2, 22, 23, 24, 25, 26, 27, 29, 30, 31, 32, 33, 35, 36, 37, 38, 39, 40

**FORCES**

(lb) - Max. Comp./Max. Ten. - All forces 250 (lb) or less except when shown.

TOP CHORD 10-11=-109/261, 11-12=-127/303, 12-13=-127/303, 13-14=-109/261

**NOTES**

- Unbalanced roof live loads have been considered for this design.
- Wind: ASCE 7-16; Vult=130mph (3-second gust) Vasd=103mph; TCDL=6.0psf; BCDL=6.0psf; h=25ft; Cat. II; Exp B; Enclosed; MWFRS (envelope) and C-C Corner(3E) -0-10-1 to 2-6-4, Exterior(2N) 2-6-4 to 16-11-8, Corner(3R) 16-11-8 to 20-3-14, Exterior(2N) 20-3-14 to 33-5-12 zone; C-C for members and forces & MWFRS for reactions shown; Lumber DOL=1.60 plate grip DOL=1.33
- Truss designed for wind loads in the plane of the truss only. For studs exposed to wind (normal to the face), see Standard Industry Gable End Details as applicable, or consult qualified building designer as per ANSI/TPI 1.
- TCLL: ASCE 7-16; Pr=20.0 psf (roof LL: Lum DOL=1.15 Plate DOL=1.15); Pg=20.0 psf; Pf=13.9 psf (Lum DOL=1.15 Plate DOL=1.15); Is=1.0; Rough Cat B; Fully Exp.; Ce=0.9; Cs=1.00; Ct=1.10
- Unbalanced snow loads have been considered for this design.
- This truss has been designed for greater of min roof live load of 12.0 psf or 2.00 times flat roof load of 13.9 psf on overhangs non-concurrent with other live loads.
- All plates are 2x4 MT20 unless otherwise indicated.
- Gable requires continuous bottom chord bearing.
- Gable studs spaced at 2-0-0 oc.
- \* This truss has been designed for a live load of 20.0psf on the bottom chord in all areas where a rectangle 3-06-00 tall by 2-00-00 wide will fit between the bottom chord and any other members.
- One RT7A USP connectors recommended to connect truss to bearing walls due to UPLIFT at jt(s) 2, 32, 33, 35, 36, 37, 38, 39, 30, 29, 27, 26, 25, 24, and 23. This connection is for uplift only and does not consider lateral forces.
- This truss is designed in accordance with the 2018 International Residential Code sections R502.11.1 and R802.10.2 and referenced standard ANSI/TPI 1.

**LOAD CASE(S)** Standard

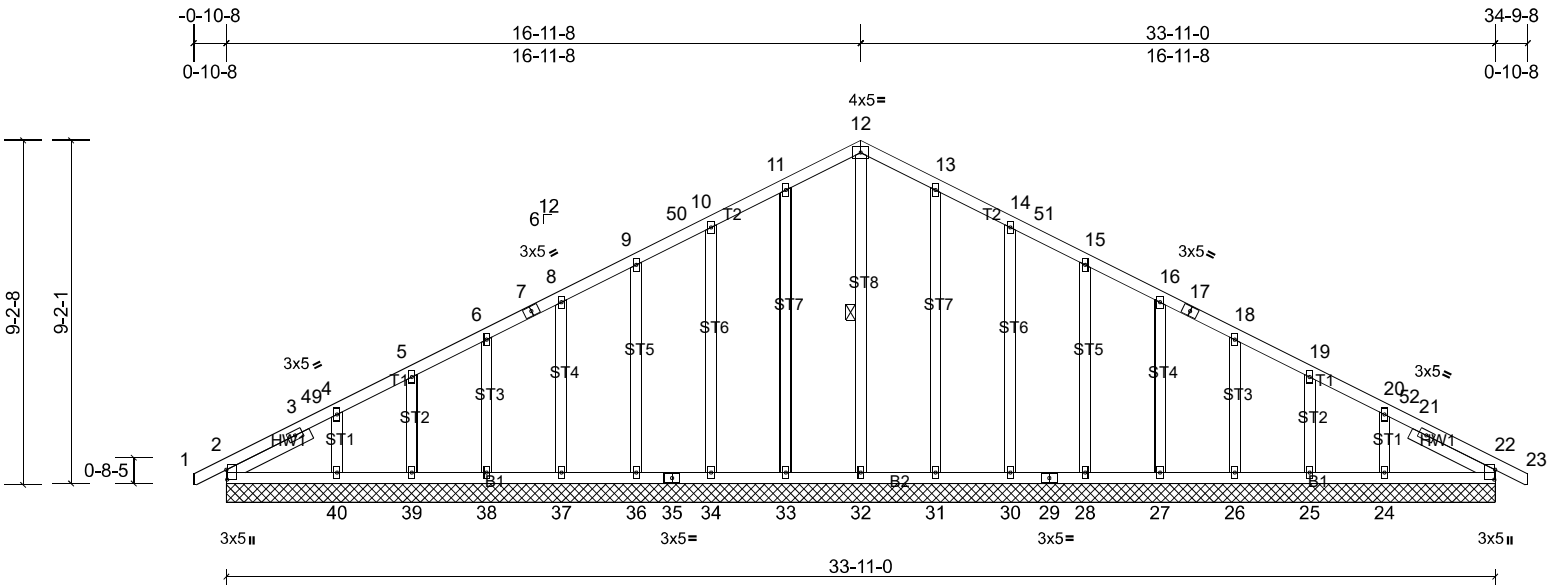
Job 20120029	Truss T5GE	Truss Type Common Supported Gable	Qty 1	Ply 1	4 Rosemont Job Reference (optional)
-----------------	---------------	--------------------------------------	----------	----------	--

Carter Components - Sanford, Sanford, NC, user

Run: 8.41 S Oct 26 2020 Print: 8.410 S Oct 26 2020 MiTek Industries, Inc. Thu Dec 31 10:44:57

Page: 1

ID:8LdpeGvkgvmbnfsoZGrvuy3VX5-hmxbRGMP5nna4bBaYMuh\_KGNM\_3OY??76iuB62y3UM4



Scale = 1:61.6

Plate Offsets (X, Y): [2:0-3-2,0-0-4], [22:0-3-2,0-0-4]

Loading	(psf)	Spacing	2-0-0	CSI	DEFL	in	(loc)	l/defl	L/d	PLATES	GRIP	
TCLL (roof)	20.0	Plate Grip DOL	1.15	TC	0.08	Vert(LL)	n/a	-	n/a	999	MT20	244/190
Snow (Pf/Pg)	13.9/20.0	Lumber DOL	1.15	BC	0.07	Vert(CT)	n/a	-	n/a	999		
TCDL	10.0	Rep Stress Incr	YES	WB	0.18	Horz(CT)	0.01	22	n/a	n/a		
BCLL	0.0*	Code	IRC2018/TPI2014	Matrix-MSH								
BCDL	10.0											
											Weight: 227 lb	FT = 20%

**LUMBER**  
TOP CHORD 2x4 SP No.2  
BOT CHORD 2x4 SP No.2  
OTHERS 2x4 SP No.3 \*Except\* ST8,ST7,ST6,ST5:2x4 SP No.2  
SLIDER Left 2x4 SP No.3 -- 2-6-0, Right 2x4 SP No.3 -- 2-6-0

**BRACING**  
TOP CHORD Structural wood sheathing directly applied or 6-0-0 oc purlins.  
BOT CHORD Rigid ceiling directly applied or 10-0-0 oc bracing.  
WEBS 1 Row at midpt 12-32

MiTek recommends that Stabilizers and required cross bracing be installed during truss erection, in accordance with Stabilizer Installation guide.

**REACTIONS** All bearings 33-11-0.  
(lb) - Max Horiz 2=91 (LC 14), 41=91 (LC 14)  
Max Uplift All uplift 100 (lb) or less at joint(s) 2, 24, 25, 26, 27, 28, 30, 31, 33, 34, 36, 37, 38, 39, 40, 41  
Max Grav All reactions 250 (lb) or less at joint(s) 2, 22, 24, 25, 26, 27, 28, 30, 31, 32, 33, 34, 36, 37, 38, 39, 40, 41, 45

**FORCES** (lb) - Max. Comp./Max. Ten. - All forces 250 (lb) or less except when shown.  
TOP CHORD 11-12=-116/271, 12-13=-116/271

- NOTES**
- Unbalanced roof live loads have been considered for this design.
  - Wind: ASCE 7-16; Vult=130mph (3-second gust) Vasd=103mph; TCCL=6.0psf; BCDL=6.0psf; h=25ft; Cat. II; Exp B; Enclosed; MWFRS (envelope) and C-C Corner(3E) -0-10-1 to 2-6-10, Exterior(2N) 2-6-10 to 16-11-8, Corner(3R) 16-11-8 to 20-4-3, Exterior(2N) 20-4-3 to 34-9-1 zone;C-C for members and forces & MWFRS for reactions shown; Lumber DOL=1.60 plate grip DOL=1.33
  - Truss designed for wind loads in the plane of the truss only. For studs exposed to wind (normal to the face), see Standard Industry Gable End Details as applicable, or consult qualified building designer as per ANSI/TPI 1.
  - TCLL: ASCE 7-16; Pr=20.0 psf (roof LL: Lum DOL=1.15 Plate DOL=1.15); Pg=20.0 psf; Pf=13.9 psf (Lum DOL=1.15 Plate DOL=1.15); Is=1.0; Rough Cat B; Fully Exp.; Ce=0.9; Cs=1.00; Ct=1.10
  - Unbalanced snow loads have been considered for this design.
  - This truss has been designed for greater of min roof live load of 12.0 psf or 2.00 times flat roof load of 13.9 psf on overhangs non-concurrent with other live loads.
  - All plates are 2x4 MT20 unless otherwise indicated.
  - Gable requires continuous bottom chord bearing.
  - Gable studs spaced at 2-0-0 oc.
  - \* This truss has been designed for a live load of 20.0psf on the bottom chord in all areas where a rectangle 3-06-00 tall by 2-00-00 wide will fit between the bottom chord and any other members.
  - One RT7A USP connectors recommended to connect truss to bearing walls due to UPLIFT at jt(s) 2, 33, 34, 36, 37, 38, 39, 40, 31, 30, 28, 27, 26, 25, and 24. This connection is for uplift only and does not consider lateral forces.
  - This truss is designed in accordance with the 2018 International Residential Code sections R502.11.1 and R802.10.2 and referenced standard ANSI/TPI 1.

**LOAD CASE(S)** Standard

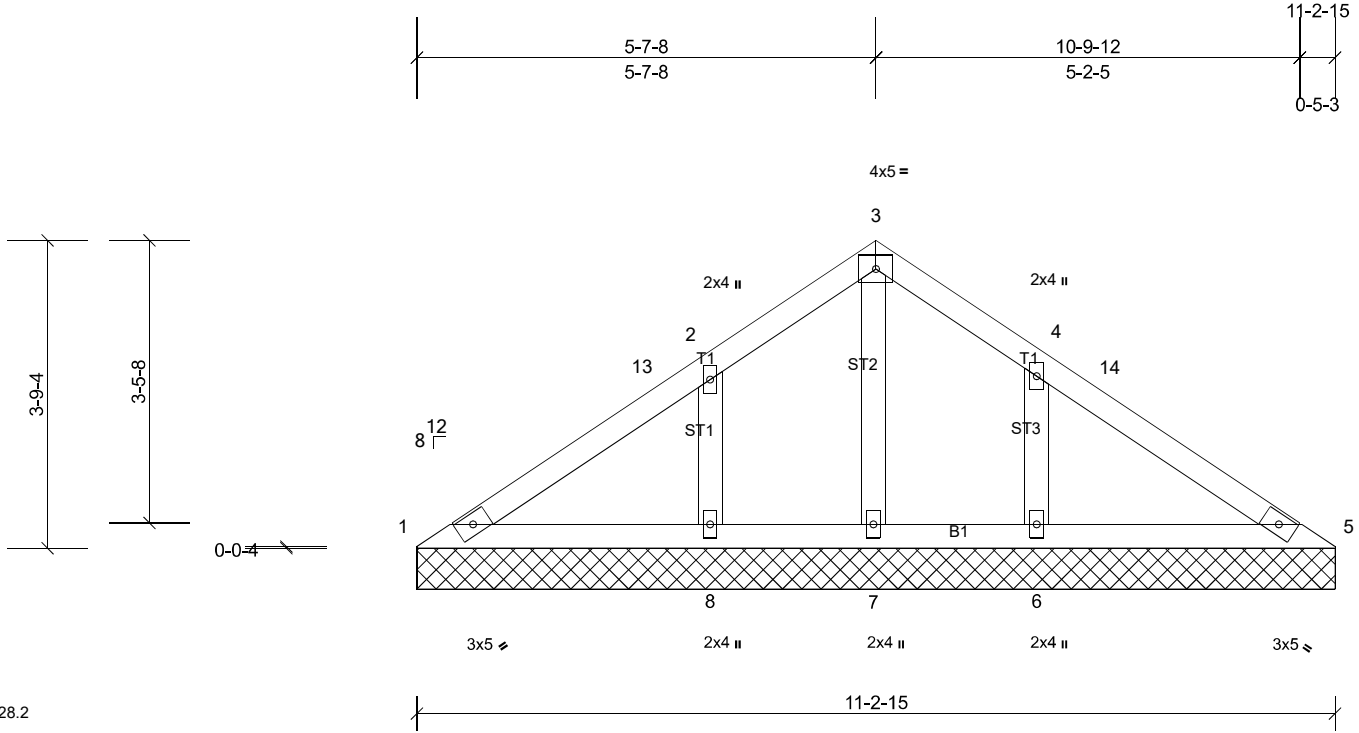
Job 20120029	Truss V1	Truss Type Valley	Qty 1	Ply 1	4 Rosemont Job Reference (optional)
-----------------	-------------	----------------------	----------	----------	--

Carter Components - Sanford, Sanford, NC, user

Run: 8.41 S Oct 26 2020 Print: 8.410 S Oct 26 2020 MiTek Industries, Inc. Thu Dec 31 10:44:57

Page: 1

ID: \_sO1ijNYcR1VA9rbqywymny3VWVy-hmxbRGMP5nna4bBaYMuh\_KGMH\_3WY1x76iuB62y3UM4



Scale = 1:28.2

Loading	(psf)	Spacing	2-0-0	CSI	DEFL	in	(loc)	l/defl	L/d	PLATES	GRIP	
TCLL (roof)	20.0	Plate Grip DOL	1.15	TC	0.15	Vert(LL)	n/a	-	n/a	999	MT20	244/190
Snow (Pf/Pg)	13.9/20.0	Lumber DOL	1.15	BC	0.12	Vert(TL)	n/a	-	n/a	999		
TCDL	10.0	Rep Stress Incr	YES	WB	0.06	Horiz(TL)	0.00	5	n/a	n/a		
BCLL	0.0*	Code	IRC2018/TPI2014	Matrix-MSH								
BCDL	10.0										Weight: 46 lb	FT = 20%

**LUMBER**  
TOP CHORD 2x4 SP No.2  
BOT CHORD 2x4 SP No.2  
OTHERS 2x4 SP No.3

**BRACING**  
TOP CHORD  
BOT CHORD

Structural wood sheathing directly applied or 10-0-0 oc purlins.  
Rigid ceiling directly applied or 6-0-0 oc bracing.

MiTek recommends that Stabilizers and required cross bracing be installed during truss erection, in accordance with Stabilizer Installation guide.

**REACTIONS** All bearings 11-2-15.  
(lb) - Max Horiz 1=68 (LC 12)  
Max Uplift All uplift 100 (lb) or less at joint(s) 6, 8  
Max Grav All reactions 250 (lb) or less at joint(s) 1, 5, 7 except 6=300 (LC 25), 8=298 (LC 24)

**FORCES** (lb) - Max. Comp./Max. Ten. - All forces 250 (lb) or less except when shown.

- NOTES**
- Unbalanced roof live loads have been considered for this design.
  - Wind: ASCE 7-16; Vult=130mph (3-second gust) Vasd=103mph; TCDL=6.0psf; BCDL=6.0psf; h=25ft; Cat. II; Exp B; Enclosed; MWFRS (envelope) and C-C Corner(3E) 0-0-6 to 3-0-6, Exterior(2N) 3-0-6 to 5-7-14, Corner(3R) 5-7-14 to 8-7-14, Exterior(2N) 8-7-14 to 11-3-5 zone; C-C for members and forces & MWFRS for reactions shown; Lumber DOL=1.60 plate grip DOL=1.33
  - Truss designed for wind loads in the plane of the truss only. For studs exposed to wind (normal to the face), see Standard Industry Gable End Details as applicable, or consult qualified building designer as per ANSI/TPI 1.
  - TCLL: ASCE 7-16; Pr=20.0 psf (roof LL: Lum DOL=1.15 Plate DOL=1.15); Pg=20.0 psf; Pf=13.9 psf (Lum DOL=1.15 Plate DOL=1.15); Is=1.0; Rough Cat B; Fully Exp.; Ce=0.9; Cs=1.00; Ct=1.10
  - Gable requires continuous bottom chord bearing.
  - Gable studs spaced at 2-0-0 oc.
  - \* This truss has been designed for a live load of 20.0psf on the bottom chord in all areas where a rectangle 3-06-00 tall by 2-00-00 wide will fit between the bottom chord and any other members.
  - One RT7A USP connectors recommended to connect truss to bearing walls due to UPLIFT at jt(s) 8 and 6. This connection is for uplift only and does not consider lateral forces.
  - This truss is designed in accordance with the 2018 International Residential Code sections R502.11.1 and R802.10.2 and referenced standard ANSI/TPI 1.

**LOAD CASE(S)** Standard



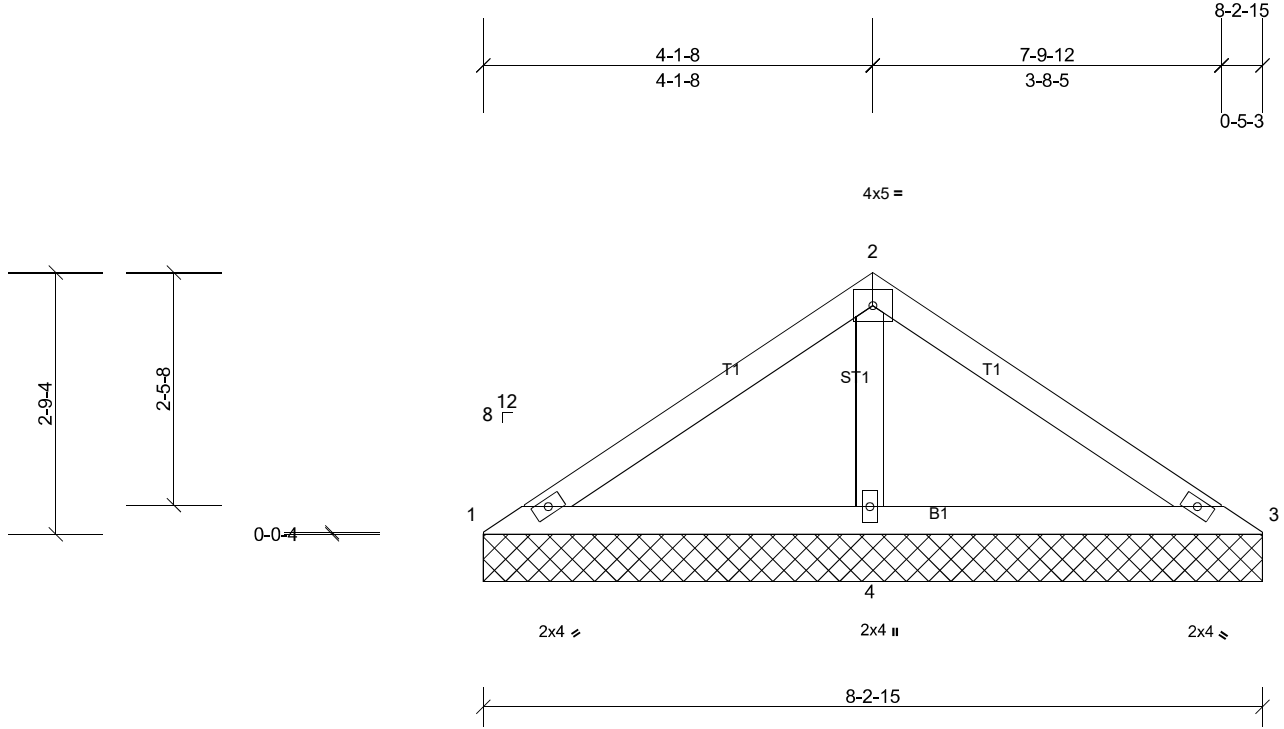
Job 20120029	Truss V2	Truss Type Valley	Qty 1	Ply 1	4 Rosemont Job Reference (optional)
-----------------	-------------	----------------------	----------	----------	--

Carter Components - Sanford, Sanford, NC, user

Run: 8.41 S Oct 26 2020 Print: 8.410 S Oct 26 2020 MiTek Industries, Inc. Thu Dec 31 10:44:58

Page: 1

ID:T3yPv30ANI9MoJQnOfRBJ?y3VWx-9zV\_ecN1r5vRilmm63QwXXpWyONSHTZGLMeleUy3UM3



Scale = 1:24.4

Loading	(psf)	Spacing	2-0-0	CSI	DEFL	in	(loc)	l/defl	L/d	PLATES	GRIP	
TCLL (roof)	20.0	Plate Grip DOL	1.15	TC	0.22	Vert(LL)	n/a	-	n/a	999	MT20	244/190
Snow (Pf/Pg)	13.9/20.0	Lumber DOL	1.15	BC	0.20	Vert(TL)	n/a	-	n/a	999		
TCDL	10.0	Rep Stress Incr	YES	WB	0.09	Horiz(TL)	0.00	3	n/a	n/a		
BCLL	0.0*	Code	IRC2018/TPI2014	Matrix-MP								
BCDL	10.0											
										Weight: 29 lb	FT = 20%	

**LUMBER**

TOP CHORD 2x4 SP No.2  
 BOT CHORD 2x4 SP No.2  
 OTHERS 2x4 SP No.3

**BRACING**

TOP CHORD  
 BOT CHORD

Structural wood sheathing directly applied or 8-2-15 oc purlins.  
 Rigid ceiling directly applied or 6-0-0 oc bracing.

MiTek recommends that Stabilizers and required cross bracing be installed during truss erection, in accordance with Stabilizer Installation guide.

**REACTIONS** (lb/size) 1=28/8-2-15, (min. 0-1-8), 3=32/8-2-15, (min. 0-1-8),  
 4=499/8-2-15, (min. 0-1-8)  
 Max Horiz 1=49 (LC 12)  
 Max Uplift 1=-16 (LC 31), 3=-13 (LC 30)  
 Max Grav 1=66 (LC 30), 3=70 (LC 31), 4=589 (LC 2)

**FORCES** (lb) - Max. Comp./Max. Ten. - All forces 250 (lb) or less except when shown.  
 TOP CHORD 1-2=-101/266, 2-3=-98/260  
 WEBS 2-4=-428/196

**NOTES**

- Unbalanced roof live loads have been considered for this design.
- Wind: ASCE 7-16; Vult=130mph (3-second gust) Vasd=103mph; TCDL=6.0psf; BCDL=6.0psf; h=25ft; Cat. II; Exp B; Enclosed; MWFRS (envelope) and C-C Exterior(2E) 0-0-6 to 3-0-6, Interior (1) 3-0-6 to 4-1-14, Exterior(2R) 4-1-14 to 7-4-2, Interior (1) 7-4-2 to 8-3-5 zone; C-C for members and forces & MWFRS for reactions shown; Lumber DOL=1.60 plate grip DOL=1.33
- TCLL: ASCE 7-16; Pr=20.0 psf (roof LL: Lum DOL=1.15 Plate DOL=1.15); Pg=20.0 psf; Pf=13.9 psf (Lum DOL=1.15 Plate DOL=1.15); Is=1.0; Rough Cat B; Fully Exp.; Ce=0.9; Cs=1.00; Ct=1.10
- Gable requires continuous bottom chord bearing.
- \* This truss has been designed for a live load of 20.0psf on the bottom chord in all areas where a rectangle 3-06-00 tall by 2-00-00 wide will fit between the bottom chord and any other members.
- Provide mechanical connection (by others) of truss to bearing plate capable of withstanding 16 lb uplift at joint 1 and 13 lb uplift at joint 3.
- This truss is designed in accordance with the 2018 International Residential Code sections R502.11.1 and R802.10.2 and referenced standard ANSI/TPI 1.

**LOAD CASE(S)** Standard

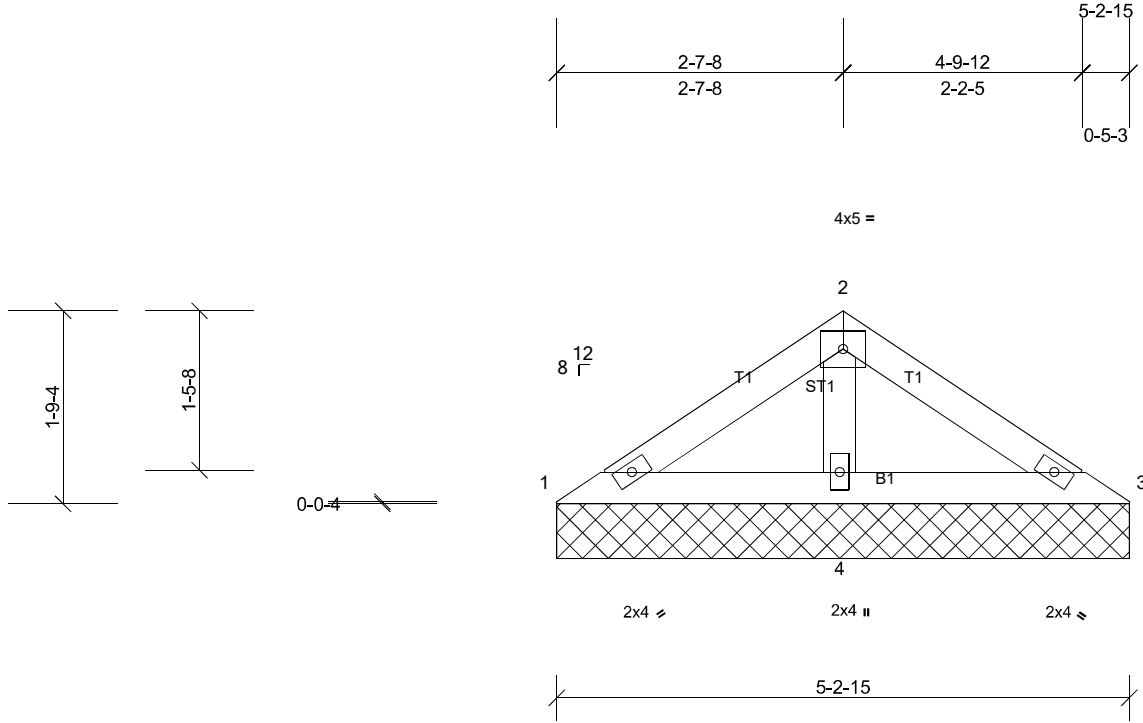
Job 20120029	Truss V3	Truss Type Valley	Qty 1	Ply 1	4 Rosemont Job Reference (optional)
-----------------	-------------	----------------------	----------	----------	--

Carter Components - Sanford, Sanford, NC, user

Run: 8.41 S Oct 26 2020 Print: 8.410 S Oct 26 2020 MiTek Industries, Inc. Thu Dec 31 10:44:58

Page: 1

ID:T3yPv3OANI9MoJQnOfRBJ?y3VWx-9zV\_ecN1r5vRilmm63QwXXpYFOPLHUQGLMeleUy3UM3



Scale = 1:21.1

Loading	(psf)	Spacing	2-0-0	CSI	DEFL	in	(loc)	I/defl	L/d	PLATES	GRIP	
TCLL (roof)	20.0	Plate Grip DOL	1.15	TC	0.07	Vert(LL)	n/a	-	n/a	999	MT20	244/190
Snow (Pf/Pg)	13.9/20.0	Lumber DOL	1.15	BC	0.08	Vert(TL)	n/a	-	n/a	999		
TCDL	10.0	Rep Stress Incr	YES	WB	0.04	Horiz(TL)	0.00	3	n/a	n/a		
BCLL	0.0*	Code	IRC2018/TPI2014	Matrix-MP								
BCDL	10.0										Weight: 17 lb	FT = 20%

**LUMBER**  
TOP CHORD 2x4 SP No.2  
BOT CHORD 2x4 SP No.2  
OTHERS 2x4 SP No.3

**BRACING**  
TOP CHORD  
BOT CHORD

Structural wood sheathing directly applied or 5-2-15 oc purlins.  
Rigid ceiling directly applied or 6-0-0 oc bracing.

MiTek recommends that Stabilizers and required cross bracing be installed during truss erection, in accordance with Stabilizer Installation guide.

**REACTIONS** (lb/size) 1=42/5-2-15, (min. 0-1-8), 3=45/5-2-15, (min. 0-1-8),  
4=268/5-2-15, (min. 0-1-8)  
Max Horiz 1=30 (LC 12)  
Max Uplift 3=-3 (LC 14)  
Max Grav 1=63 (LC 30), 3=66 (LC 31), 4=316 (LC 2)

**FORCES** (lb) - Max. Comp./Max. Ten. - All forces 250 (lb) or less except when shown.

**NOTES**

- Unbalanced roof live loads have been considered for this design.
- Wind: ASCE 7-16; Vult=130mph (3-second gust) Vasd=103mph; TCDL=6.0psf; BCDL=6.0psf; h=25ft; Cat. II; Exp B; Enclosed; MWFRS (envelope) and C-C Exterior(2E) zone; C-C for members and forces & MWFRS for reactions shown; Lumber DOL=1.60 plate grip DOL=1.33
- TCLL: ASCE 7-16; Pr=20.0 psf (roof LL: Lum DOL=1.15 Plate DOL=1.15); Pg=20.0 psf; Pf=13.9 psf (Lum DOL=1.15 Plate DOL=1.15); Is=1.0; Rough Cat B; Fully Exp.; Ce=0.9; Cs=1.00; Ct=1.10
- Gable requires continuous bottom chord bearing.
- \* This truss has been designed for a live load of 20.0psf on the bottom chord in all areas where a rectangle 3-06-00 tall by 2-00-00 wide will fit between the bottom chord and any other members.
- Provide mechanical connection (by others) of truss to bearing plate capable of withstanding 3 lb uplift at joint 3.
- This truss is designed in accordance with the 2018 International Residential Code sections R502.11.1 and R802.10.2 and referenced standard ANSI/TPI 1.

**LOAD CASE(S)** Standard

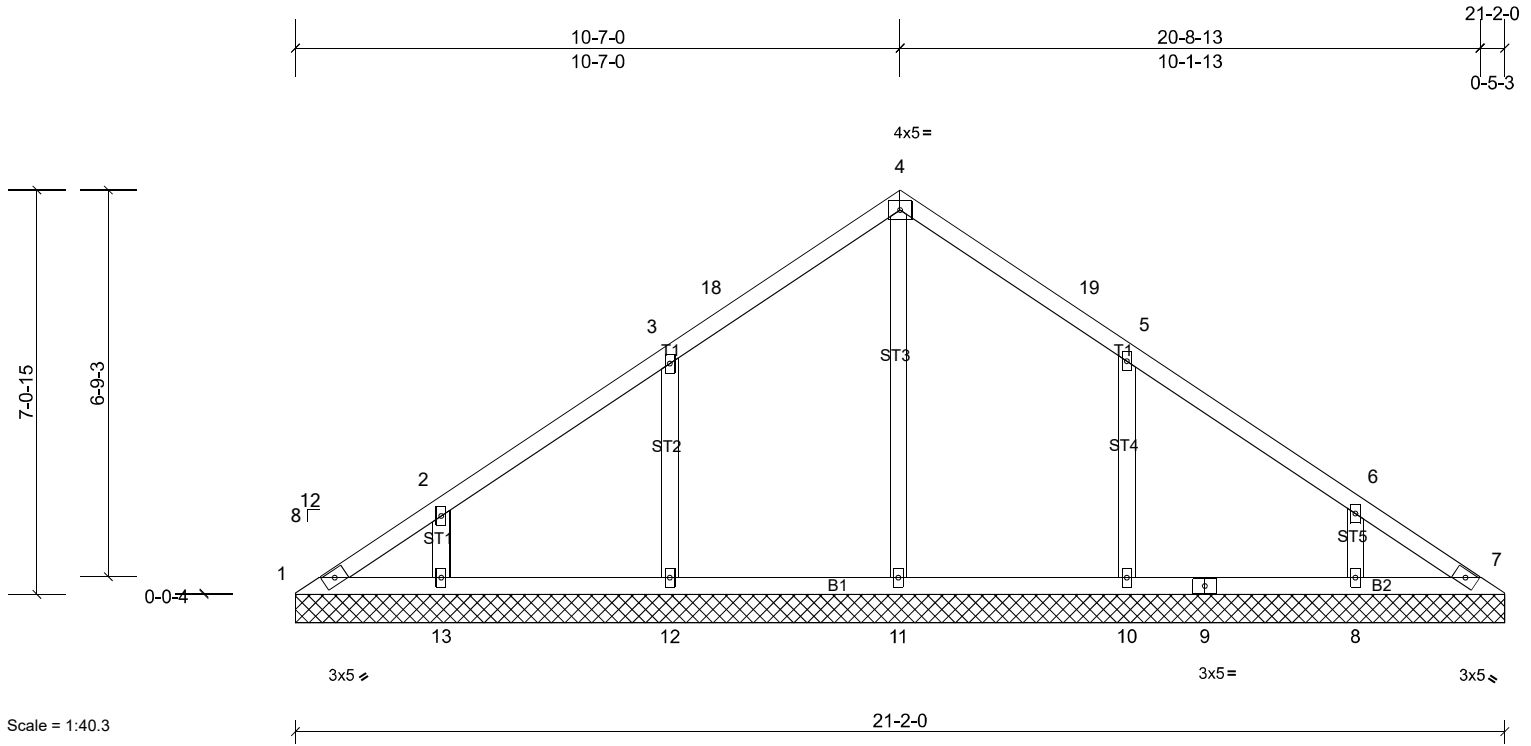
Job 20120029	Truss V4	Truss Type Valley	Qty 1	Ply 1	4 Rosemont Job Reference (optional)
-----------------	-------------	----------------------	----------	----------	--

Carter Components - Sanford, Sanford, NC, user

Run: 8.41 S Oct 26 2020 Print: 8.410 S Oct 26 2020 MiTek Industries, Inc. Thu Dec 31 10:44:58

Page: 1

ID:18LdpeGvkgnbnfsoZGrvuy3VX5-9zV\_ecN1r5vRilmm63QwXXpW9OOzHSnGLMeleUy3UM3



Loading	(psf)	Spacing	2-0-0	CSI	0.20	DEFL	in	(loc)	l/defl	L/d	PLATES	GRIP
TCLL (roof)	20.0	Plate Grip DOL	1.15	TC	0.20	Vert(LL)	n/a	-	n/a	999	MT20	244/190
Snow (Pf/Pg)	13.9/20.0	Lumber DOL	1.15	BC	0.17	Vert(TL)	n/a	-	n/a	999		
TCDL	10.0	Rep Stress Incr	YES	WB	0.14	Horiz(TL)	0.00	7	n/a	n/a		
BCLL	0.0*	Code	IRC2018/TPI2014	Matrix-MSH								
BCDL	10.0										Weight: 92 lb	FT = 20%

**LUMBER**  
TOP CHORD 2x4 SP No.2  
BOT CHORD 2x4 SP No.2  
OTHERS 2x4 SP No.3 \*Except\* ST3:2x4 SP No.2

**BRACING**  
TOP CHORD  
BOT CHORD

Structural wood sheathing directly applied or 6-0-0 oc purlins.  
Rigid ceiling directly applied or 10-0-0 oc bracing.

MiTek recommends that Stabilizers and required cross bracing be installed during truss erection, in accordance with Stabilizer Installation guide.

**REACTIONS** All bearings 21-2-0.  
(lb) - Max Horiz 1=129 (LC 10)  
Max Uplift All uplift 100 (lb) or less at joint(s) 1, 8, 10, 12, 13  
Max Grav All reactions 250 (lb) or less at joint(s) 1, 7 except 8=329 (LC 25), 10=447 (LC 25), 11=378 (LC 24), 12=448 (LC 24), 13=344 (LC 24)

**FORCES** (lb) - Max. Comp./Max. Ten. - All forces 250 (lb) or less except when shown.  
WEBS 3-12=-276/142, 5-10=-274/140

- NOTES**
- Unbalanced roof live loads have been considered for this design.
  - Wind: ASCE 7-16; Vult=130mph (3-second gust) Vasd=103mph; TCDL=6.0psf; BCDL=6.0psf; h=25ft; Cat. II; Exp B; Enclosed; MWFRS (envelope) and C-C Exterior(2E) 0-0-6 to 3-0-6, Interior (1) 3-0-6 to 10-7-6, Exterior(2R) 10-7-6 to 13-7-6, Interior (1) 13-7-6 to 20-9-0 zone; C-C for members and forces & MWFRS for reactions shown; Lumber DOL=1.60 plate grip DOL=1.33
  - TCLL: ASCE 7-16; Pr=20.0 psf (roof LL: Lum DOL=1.15 Plate DOL=1.15); Pg=20.0 psf; Pf=13.9 psf (Lum DOL=1.15 Plate DOL=1.15); Is=1.0; Rough Cat B; Fully Exp.; Ce=0.9; Cs=1.00; Ct=1.10
  - All plates are 2x4 MT20 unless otherwise indicated.
  - Gable requires continuous bottom chord bearing.
  - \* This truss has been designed for a live load of 20.0psf on the bottom chord in all areas where a rectangle 3-06-00 tall by 2-00-00 wide will fit between the bottom chord and any other members, with BCDL = 10.0psf.
  - Provide mechanical connection (by others) of truss to bearing plate capable of withstanding 100 lb uplift at joint(s) 1.
  - One RT7A USP connectors recommended to connect truss to bearing walls due to UPLIFT at jt(s) 12, 13, 10, and 8. This connection is for uplift only and does not consider lateral forces.
  - This truss is designed in accordance with the 2018 International Residential Code sections R502.11.1 and R802.10.2 and referenced standard ANSI/TPI 1.

**LOAD CASE(S)** Standard

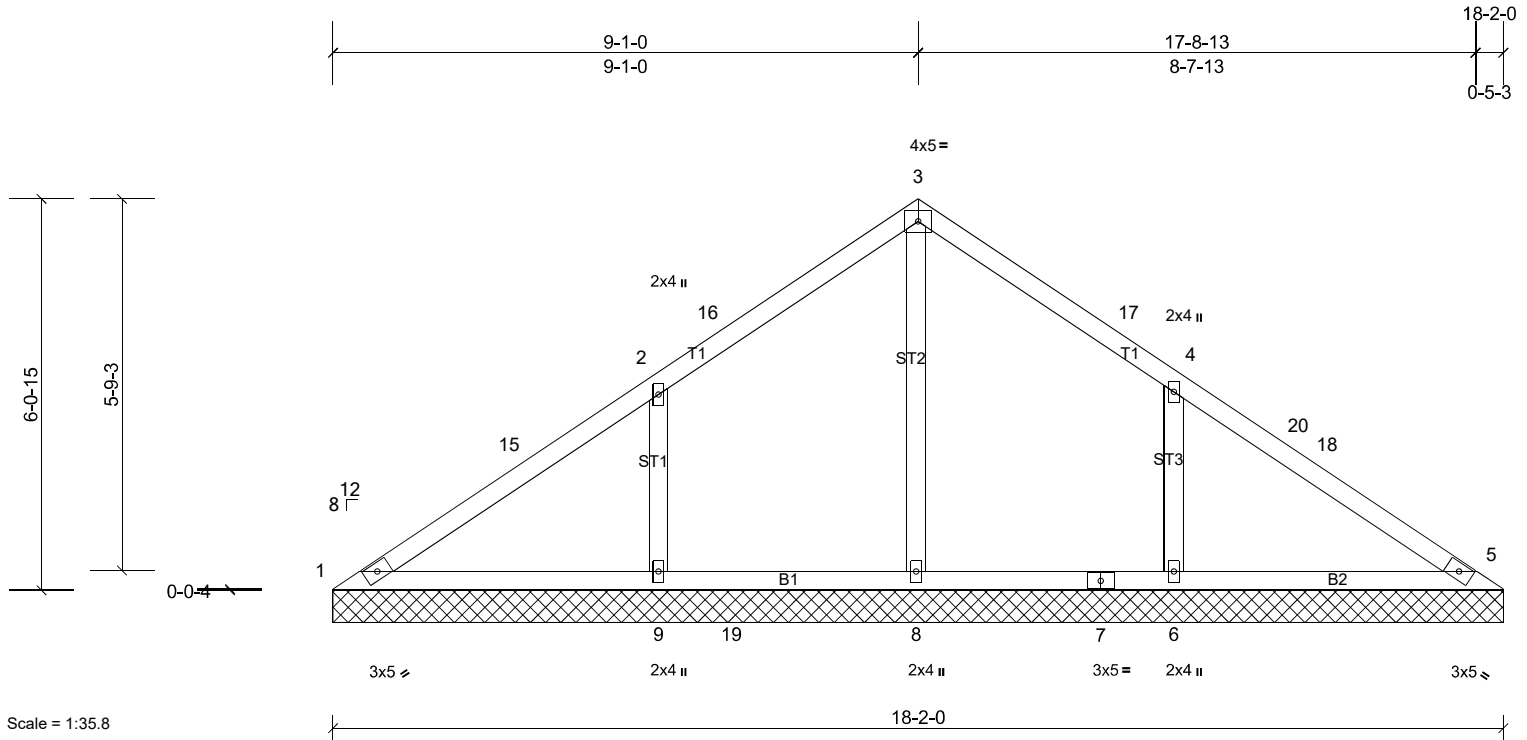
Job 20120029	Truss V5	Truss Type Valley	Qty 1	Ply 1	4 Rosemont Job Reference (optional)
-----------------	-------------	----------------------	----------	----------	--

Carter Components - Sanford, Sanford, NC, user

Run: 8.41 S Oct 26 2020 Print: 8.410 S Oct 26 2020 MiTek Industries, Inc. Thu Dec 31 10:44:58

Page: 1

ID:DKv70\_HXV\_1eDxE3MGn4S5y3VX4-9zV\_ecN1r5vRiImm63QwXXpUuONLHQgGLMeUy3UM3



Loading	(psf)	Spacing	2-0-0	CSI		DEFL	in	(loc)	l/defl	L/d	PLATES	GRIP
TCLL (roof)	20.0	Plate Grip DOL	1.15	TC	0.35	Vert(LL)	n/a	-	n/a	999	MT20	244/190
Snow (Pf/Pg)	13.9/20.0	Lumber DOL	1.15	BC	0.21	Vert(TL)	n/a	-	n/a	999		
TCDL	10.0	Rep Stress Incr	YES	WB	0.28	Horiz(TL)	-0.01	5	n/a	n/a		
BCLL	0.0*	Code	IRC2018/TPI2014	Matrix-MSH								
BCDL	10.0										Weight: 75 lb	FT = 20%

**LUMBER**  
 TOP CHORD 2x4 SP No.2  
 BOT CHORD 2x4 SP No.2  
 OTHERS 2x4 SP No.3 \*Except\* ST2:2x4 SP No.2

**BRACING**  
 TOP CHORD  
 BOT CHORD  
 Structural wood sheathing directly applied or 10-0-0 oc purlins.  
 Rigid ceiling directly applied or 6-0-0 oc bracing.

MiTek recommends that Stabilizers and required cross bracing be installed during truss erection, in accordance with Stabilizer Installation guide.

**REACTIONS** All bearings 18-2-0.  
 (lb) - Max Horiz 1=111 (LC 10)  
 Max Uplift All uplift 100 (lb) or less at joint(s) 1, 5, 6, 9, 14  
 Max Grav All reactions 250 (lb) or less at joint(s) 1, 5, 14 except 6=526 (LC 25), 8=662 (LC 24), 9=528 (LC 24)

**FORCES** (lb) - Max. Comp./Max. Ten. - All forces 250 (lb) or less except when shown.  
 TOP CHORD 1-15=-100/341, 2-15=-10/414, 2-16=0/259, 3-16=0/350, 3-17=0/332, 4-20=0/381, 18-20=-5/322, 5-18=-19/308  
 BOT CHORD 1-9=-270/80, 9-19=-270/50, 8-19=-270/50, 7-8=-268/51, 6-7=-268/51, 5-6=-268/51  
 WEBS 3-8=-490/0, 2-9=-317/147, 4-6=-316/146

- NOTES**
- Unbalanced roof live loads have been considered for this design.
  - Wind: ASCE 7-16; Vult=130mph (3-second gust) Vasd=103mph; TCDL=6.0psf; BCDL=6.0psf; h=25ft; Cat. II; Exp B; Enclosed; MWFRS (envelope) and C-C Exterior(2E) 0-0-6 to 3-0-6, Interior (1) 3-0-6 to 9-1-6, Exterior(2R) 9-1-6 to 12-1-6, Interior (1) 12-1-6 to 17-9-0 zone; C-C for members and forces & MWFRS for reactions shown; Lumber DOL=1.60 plate grip DOL=1.33
  - TCLL: ASCE 7-16; Pr=20.0 psf (roof LL: Lum DOL=1.15 Plate DOL=1.15); Pg=20.0 psf; Pf=13.9 psf (Lum DOL=1.15 Plate DOL=1.15); Is=1.0; Rough Cat B; Fully Exp.; Ce=0.9; Cs=1.00; Ct=1.10
  - Gable requires continuous bottom chord bearing.
  - \* This truss has been designed for a live load of 20.0psf on the bottom chord in all areas where a rectangle 3-06-00 tall by 2-00-00 wide will fit between the bottom chord and any other members, with BCDL = 10.0psf.
  - Provide mechanical connection (by others) of truss to bearing plate capable of withstanding 100 lb uplift at joint(s) 1.
  - One RT7A USP connectors recommended to connect truss to bearing walls due to UPLIFT at jt(s) 9 and 6. This connection is for uplift only and does not consider lateral forces.
  - This truss is designed in accordance with the 2018 International Residential Code sections R502.11.1 and R802.10.2 and referenced standard ANSI/TPI 1.

**LOAD CASE(S)** Standard

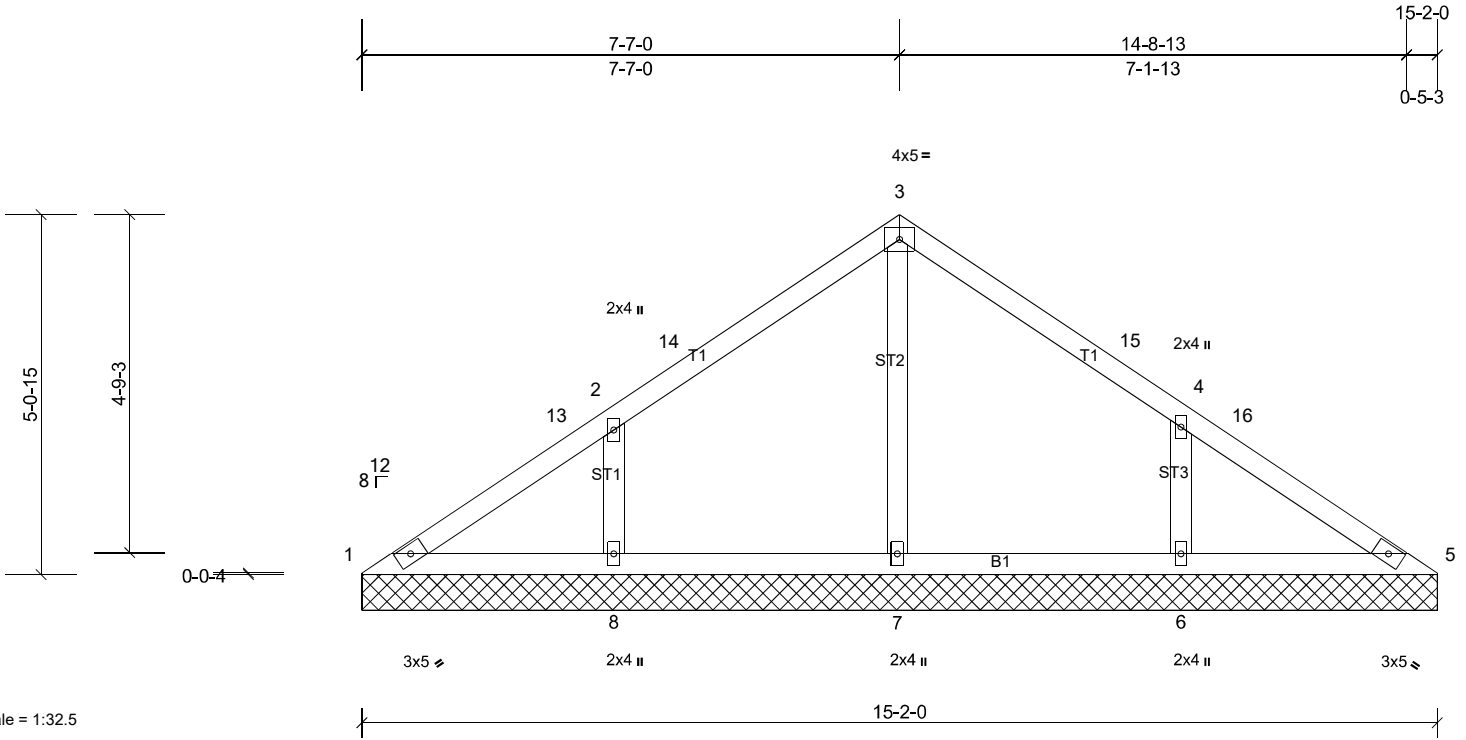
Job 20120029	Truss V6	Truss Type Valley	Qty 1	Ply 1	4 Rosemont Job Reference (optional)
-----------------	-------------	----------------------	----------	----------	--

Carter Components - Sanford, Sanford, NC, user

Run: 8.41 S Oct 26 2020 Print: 8.410 S Oct 26 2020 MiTek Industries, Inc. Thu Dec 31 10:44:58

Page: 1

ID:DKV?0\_HXV\_1eDxE3MGn4S5y3VX4-9zV\_ecN1r5vRilmm63QwXXpW\_OP7HTEGLMeleUy3UM3



Loading	(psf)	Spacing	2-0-0	CSI	0.21	DEFL	in	(loc)	l/defl	L/d	PLATES	GRIP
TCLL (roof)	20.0	Plate Grip DOL	1.15	TC	0.21	Vert(LL)	n/a	-	n/a	999	MT20	244/190
Snow (Pf/Pg)	13.9/20.0	Lumber DOL	1.15	BC	0.10	Vert(TL)	n/a	-	n/a	999		
TCDL	10.0	Rep Stress Incr	YES	WB	0.12	Horiz(TL)	0.00	5	n/a	n/a		
BCLL	0.0*	Code	IRC2018/TPI2014	Matrix-MSH								
BCDL	10.0										Weight: 60 lb	FT = 20%

**LUMBER**

TOP CHORD 2x4 SP No.2  
 BOT CHORD 2x4 SP No.2  
 OTHERS 2x4 SP No.3

**BRACING**

TOP CHORD  
 BOT CHORD

Structural wood sheathing directly applied or 6-0-0 oc purlins.  
 Rigid ceiling directly applied or 6-0-0 oc bracing.

MiTek recommends that Stabilizers and required cross bracing be installed during truss erection, in accordance with Stabilizer Installation guide.

**REACTIONS** All bearings 15-2-0.

(lb) - Max Horiz 1=-92 (LC 11)  
 Max Uplift All uplift 100 (lb) or less at joint(s) 1, 6, 8  
 Max Grav All reactions 250 (lb) or less at joint(s) 1, 5 except 6=362 (LC 25), 7=327 (LC 2), 8=363 (LC 24)

**FORCES** (lb) - Max. Comp./Max. Ten. - All forces 250 (lb) or less except when shown.

WEBS 3-7=-254/4, 2-8=-266/145, 4-6=-263/144

**NOTES**

- Unbalanced roof live loads have been considered for this design.
- Wind: ASCE 7-16; Vult=130mph (3-second gust) Vasd=103mph; TCDL=6.0psf; BCDL=6.0psf; h=25ft; Cat. II; Exp B; Enclosed; MWFRS (envelope) and C-C Exterior(2E) 0-0-6 to 3-0-6, Interior (1) 3-0-6 to 7-7-6, Exterior(2R) 7-7-6 to 10-7-6, Interior (1) 10-7-6 to 15-2-6 zone; C-C for members and forces & MWFRS for reactions shown; Lumber DOL=1.60 plate grip DOL=1.33
- TCLL: ASCE 7-16; Pr=20.0 psf (roof LL: Lum DOL=1.15 Plate DOL=1.15); Pg=20.0 psf; Pf=13.9 psf (Lum DOL=1.15 Plate DOL=1.15); Is=1.0; Rough Cat B; Fully Exp.; Ce=0.9; Cs=1.00; Ct=1.10
- Gable requires continuous bottom chord bearing.
- \* This truss has been designed for a live load of 20.0psf on the bottom chord in all areas where a rectangle 3-06-00 tall by 2-00-00 wide will fit between the bottom chord and any other members.
- Provide mechanical connection (by others) of truss to bearing plate capable of withstanding 100 lb uplift at joint(s) 1.
- One RT7A USP connectors recommended to connect truss to bearing walls due to UPLIFT at jt(s) 8 and 6. This connection is for uplift only and does not consider lateral forces.
- This truss is designed in accordance with the 2018 International Residential Code sections R502.11.1 and R802.10.2 and referenced standard ANSI/TPI 1.

**LOAD CASE(S)** Standard

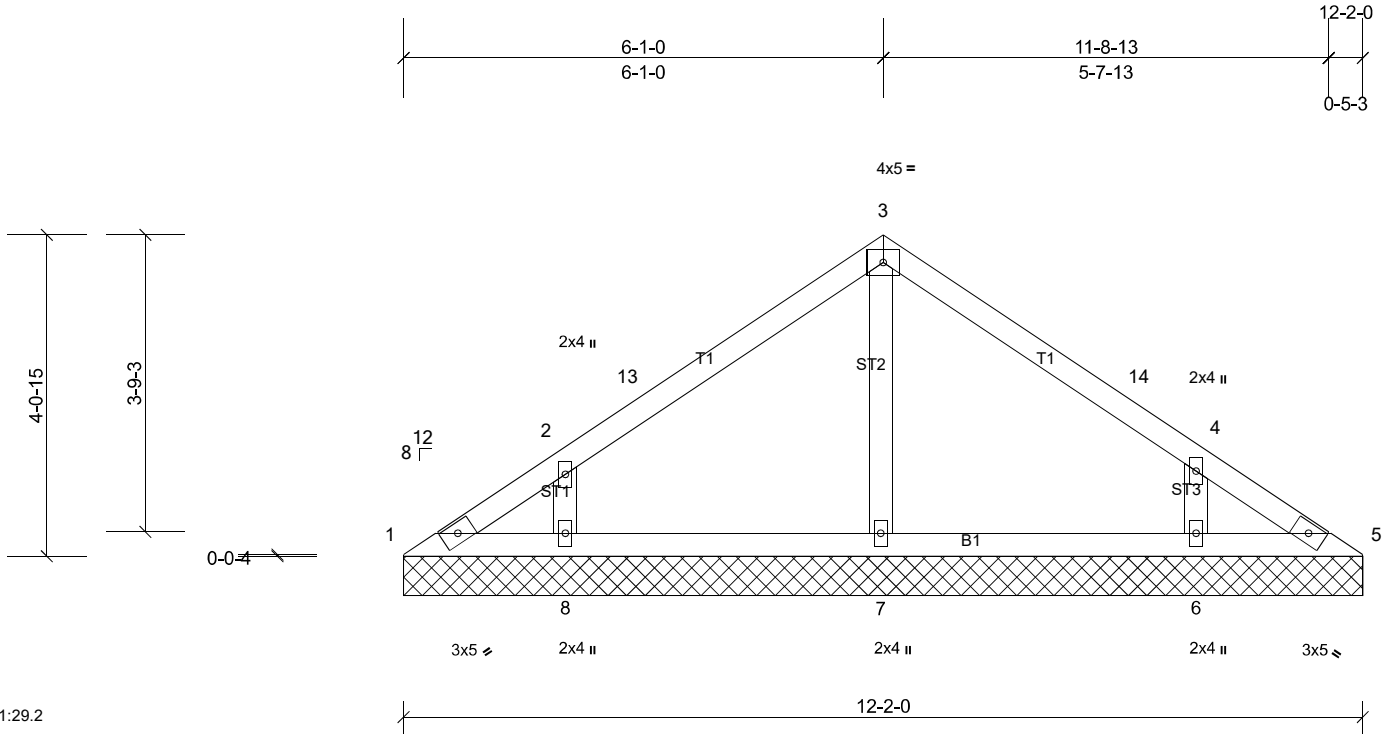
Job 20120029	Truss V7	Truss Type Valley	Qty 1	Ply 1	4 Rosemont Job Reference (optional)
-----------------	-------------	----------------------	----------	----------	--

Carter Components - Sanford, Sanford, NC, user

Run: 8.41 S Oct 26 2020 Print: 8.410 S Oct 26 2020 MiTek Industries, Inc. Thu Dec 31 10:44:58

Page: 1

ID:DKv?0\_HXV\_1eDxE3MGn4S5y3VX4-9zV\_ecN1r5vRilmm63QwXXpXTOPIHUAGLMeleUy3UM3



Scale = 1:29.2

Loading	(psf)	Spacing	2-0-0	CSI	DEFL	in	(loc)	l/defl	L/d	PLATES	GRIP	
TCLL (roof)	20.0	Plate Grip DOL	1.15	TC	0.18	Vert(LL)	n/a	-	n/a	999	MT20	244/190
Snow (Pf/Pg)	13.9/20.0	Lumber DOL	1.15	BC	0.09	Vert(TL)	n/a	-	n/a	999		
TCDL	10.0	Rep Stress Incr	YES	WB	0.06	Horiz(TL)	0.00	5	n/a	n/a		
BCLL	0.0*	Code	IRC2018/TPI2014	Matrix-MSH								
BCDL	10.0										Weight: 46 lb	FT = 20%

**LUMBER**  
 TOP CHORD 2x4 SP No.2  
 BOT CHORD 2x4 SP No.2  
 OTHERS 2x4 SP No.3

**BRACING**  
 TOP CHORD  
 BOT CHORD

Structural wood sheathing directly applied or 6-0-0 oc purlins.  
 Rigid ceiling directly applied or 10-0-0 oc bracing.

MiTek recommends that Stabilizers and required cross bracing be installed during truss erection, in accordance with Stabilizer Installation guide.

**REACTIONS** All bearings 12-2-0.  
 (lb) - Max Horiz 1=73 (LC 12)  
 Max Uplift All uplift 100 (lb) or less at joint(s) 1, 6, 8  
 Max Grav All reactions 250 (lb) or less at joint(s) 1, 5 except 6=307 (LC 25), 7=264 (LC 2), 8=311 (LC 24)

**FORCES** (lb) - Max. Comp./Max. Ten. - All forces 250 (lb) or less except when shown.  
 WEBS 2-8=-256/176

- NOTES**
- Unbalanced roof live loads have been considered for this design.
  - Wind: ASCE 7-16; Vult=130mph (3-second gust) Vasd=103mph; TCDL=6.0psf; BCDL=6.0psf; h=25ft; Cat. II; Exp B; Enclosed; MWFRS (envelope) and C-C Exterior(2E) 0-0-6 to 3-0-6, Interior (1) 3-0-6 to 6-1-6, Exterior(2R) 6-1-6 to 9-1-6, Interior (1) 9-1-6 to 12-2-6 zone; C-C for members and forces & MWFRS for reactions shown; Lumber DOL=1.60 plate grip DOL=1.33
  - TCLL: ASCE 7-16; Pr=20.0 psf (roof LL: Lum DOL=1.15 Plate DOL=1.15); Pg=20.0 psf; Pf=13.9 psf (Lum DOL=1.15 Plate DOL=1.15); Is=1.0; Rough Cat B; Fully Exp.; Ce=0.9; Cs=1.00; Ct=1.10
  - Gable requires continuous bottom chord bearing.
  - \* This truss has been designed for a live load of 20.0psf on the bottom chord in all areas where a rectangle 3-06-00 tall by 2-00-00 wide will fit between the bottom chord and any other members.
  - Provide mechanical connection (by others) of truss to bearing plate capable of withstanding 100 lb uplift at joint(s) 1.
  - One RT7A USP connectors recommended to connect truss to bearing walls due to UPLIFT at jt(s) 8 and 6. This connection is for uplift only and does not consider lateral forces.
  - This truss is designed in accordance with the 2018 International Residential Code sections R502.11.1 and R802.10.2 and referenced standard ANSI/TPI 1.

**LOAD CASE(S)** Standard

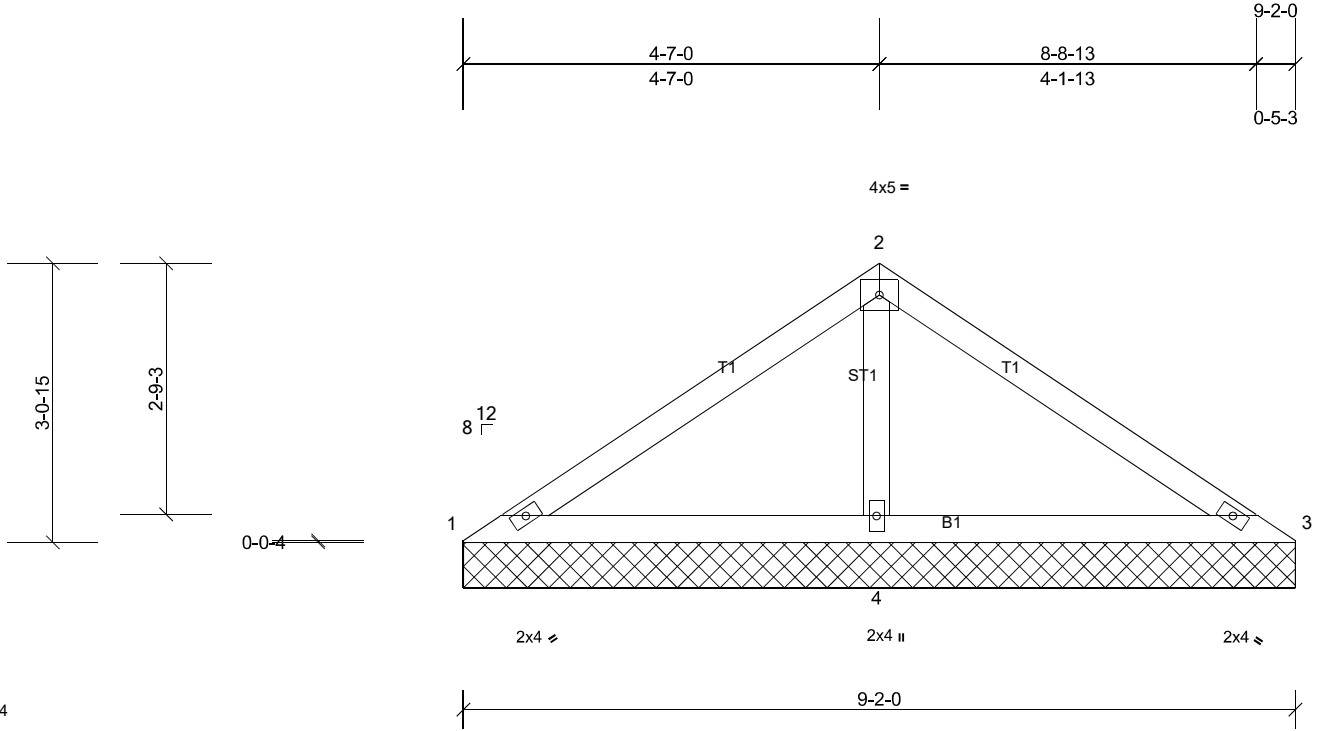
Job 20120029	Truss V8	Truss Type Valley	Qty 1	Ply 1	4 Rosemont Job Reference (optional)
-----------------	-------------	----------------------	----------	----------	--

Carter Components - Sanford, Sanford, NC, user

Run: 8.41 S Oct 26 2020 Print: 8.410 S Oct 26 2020 MiTek Industries, Inc. Thu Dec 31 10:44:59

Page: 1

ID:DKv?0\_HXV\_1eDxE3MGn4S5y3VX4-d93MsyOfcO1JJulYgnx93lLhPoiR0wUQa0NIawy3UM2



Scale = 1:25.4

Loading	(psf)	Spacing	2-0-0	CSI		DEFL	in	(loc)	l/defl	L/d	PLATES	GRIP
TCLL (roof)	20.0	Plate Grip DOL	1.15	TC	0.24	Vert(LL)	n/a	-	n/a	999	MT20	244/190
Snow (Pf/Pg)	13.9/20.0	Lumber DOL	1.15	BC	0.22	Vert(TL)	n/a	-	n/a	999		
TCDL	10.0	Rep Stress Incr	YES	WB	0.12	Horiz(TL)	0.00	3	n/a	n/a		
BCLL	0.0*	Code	IRC2018/TPI2014	Matrix-MSH								
BCDL	10.0										Weight: 32 lb	FT = 20%

**LUMBER**  
TOP CHORD 2x4 SP No.2  
BOT CHORD 2x4 SP No.2  
OTHERS 2x4 SP No.3

**BRACING**  
TOP CHORD  
BOT CHORD

Structural wood sheathing directly applied or 9'-2-0 oc purlins.  
Rigid ceiling directly applied or 6'-0-0 oc bracing.

MiTek recommends that Stabilizers and required cross bracing be installed during truss erection, in accordance with Stabilizer Installation guide.

**REACTIONS** (lb/size) 1=31/9-2-0, (min. 0-1-8), 3=35/9-2-0, (min. 0-1-8), 4=554/9-2-0, (min. 0-1-8)  
Max Horiz 1=-54 (LC 11)  
Max Uplift 1=-18 (LC 31), 3=-15 (LC 30)  
Max Grav 1=73 (LC 30), 3=77 (LC 31), 4=654 (LC 2)

**FORCES** (lb) - Max. Comp./Max. Ten. - All forces 250 (lb) or less except when shown.  
TOP CHORD 1-2=-89/296, 2-3=-87/289  
WEBS 2-4=-493/208

**NOTES**

- Unbalanced roof live loads have been considered for this design.
- Wind: ASCE 7-16; Vult=130mph (3-second gust) Vasd=103mph; TCDL=6.0psf; BCDL=6.0psf; h=25ft; Cat. II; Exp B; Enclosed; MWFRS (envelope) and C-C Exterior(2E) 0-0-6 to 3-0-6, Interior (1) 3-0-6 to 4-7-6, Exterior(2R) 4-7-6 to 7-7-6, Interior (1) 7-7-6 to 9-2-6 zone;C-C for members and forces & MWFRS for reactions shown; Lumber DOL=1.60 plate grip DOL=1.33
- TCLL: ASCE 7-16; Pr=20.0 psf (roof LL: Lum DOL=1.15 Plate DOL=1.15); Pg=20.0 psf; Pf=13.9 psf (Lum DOL=1.15 Plate DOL=1.15); Is=1.0; Rough Cat B; Fully Exp.; Ce=0.9; Cs=1.00; Ct=1.10
- Gable requires continuous bottom chord bearing.
- \* This truss has been designed for a live load of 20.0psf on the bottom chord in all areas where a rectangle 3'-06-00 tall by 2'-00-00 wide will fit between the bottom chord and any other members.
- Provide mechanical connection (by others) of truss to bearing plate capable of withstanding 18 lb uplift at joint 1 and 15 lb uplift at joint 3.
- This truss is designed in accordance with the 2018 International Residential Code sections R502.11.1 and R802.10.2 and referenced standard ANSI/TPI 1.

**LOAD CASE(S)** Standard

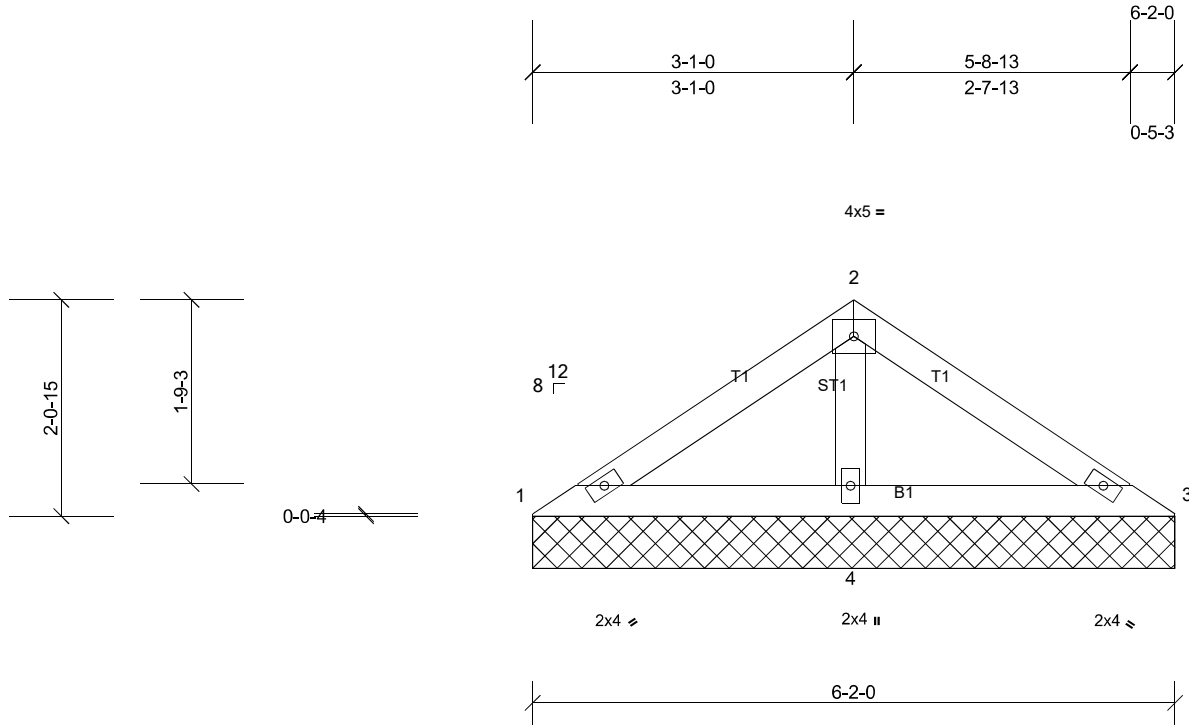
Job 20120029	Truss V9	Truss Type Valley	Qty 1	Ply 1	4 Rosemont Job Reference (optional)
-----------------	-------------	----------------------	----------	----------	--

Carter Components - Sanford, Sanford, NC, user

Run: 8.41 S Oct 26 2020 Print: 8.410 S Oct 26 2020 MiTek Industries, Inc. Thu Dec 31 10:44:59

Page: 1

ID:WTNEKH9FH9Vr4pFw\_IJ\_Jy3VX3-d93MsyOfcO1JJuLygnx93lJlRok30xSQa0NIawy3UM2



Scale = 1:22.1

Loading	(psf)	Spacing	2-0-0	CSI	DEFL	in	(loc)	I/defl	L/d	PLATES	GRIP	
TCLL (roof)	20.0	Plate Grip DOL	1.15	TC	0.11	Vert(LL)	n/a	-	n/a	999	MT20	244/190
Snow (Pf/Pg)	13.9/20.0	Lumber DOL	1.15	BC	0.12	Vert(TL)	n/a	-	n/a	999		
TCDL	10.0	Rep Stress Incr	YES	WB	0.05	Horiz(TL)	0.00	3	n/a	n/a		
BCLL	0.0*	Code	IRC2018/TPI2014	Matrix-MP								
BCDL	10.0										Weight: 21 lb	FT = 20%

**LUMBER**

TOP CHORD 2x4 SP No.2  
 BOT CHORD 2x4 SP No.2  
 OTHERS 2x4 SP No.3

**BRACING**

TOP CHORD  
 BOT CHORD

Structural wood sheathing directly applied or 6-2-0 oc purlins.  
 Rigid ceiling directly applied or 6-0-0 oc bracing.

MiTek recommends that Stabilizers and required cross bracing be installed during truss erection, in accordance with Stabilizer Installation guide.

**REACTIONS** (lb/size) 1=41/6-2-0, (min. 0-1-8), 3=44/6-2-0, (min. 0-1-8), 4=332/6-2-0, (min. 0-1-8)  
 Max Horiz 1=36 (LC 10)  
 Max Uplift 3=-2 (LC 9)  
 Max Grav 1=67 (LC 30), 3=70 (LC 31), 4=393 (LC 2)

**FORCES** (lb) - Max. Comp./Max. Ten. - All forces 250 (lb) or less except when shown.  
**WEBS** 2-4=-261/135

**NOTES**

- Unbalanced roof live loads have been considered for this design.
- Wind: ASCE 7-16; Vult=130mph (3-second gust) Vasd=103mph; TCDL=6.0psf; BCDL=6.0psf; h=25ft; Cat. II; Exp B; Enclosed; MWFRS (envelope) and C-C Exterior(2E) zone; C-C for members and forces & MWFRS for reactions shown; Lumber DOL=1.60 plate grip DOL=1.33
- TCLL: ASCE 7-16; Pr=20.0 psf (roof LL: Lum DOL=1.15 Plate DOL=1.15); Pg=20.0 psf; Pf=13.9 psf (Lum DOL=1.15 Plate DOL=1.15); Is=1.0; Rough Cat B; Fully Exp.; Ce=0.9; Cs=1.00; Ct=1.10
- Gable requires continuous bottom chord bearing.
- \* This truss has been designed for a live load of 20.0psf on the bottom chord in all areas where a rectangle 3-06-00 tall by 2-00-00 wide will fit between the bottom chord and any other members.
- Provide mechanical connection (by others) of truss to bearing plate capable of withstanding 2 lb uplift at joint 3.
- This truss is designed in accordance with the 2018 International Residential Code sections R502.11.1 and R802.10.2 and referenced standard ANSI/TPI 1.

**LOAD CASE(S)** Standard



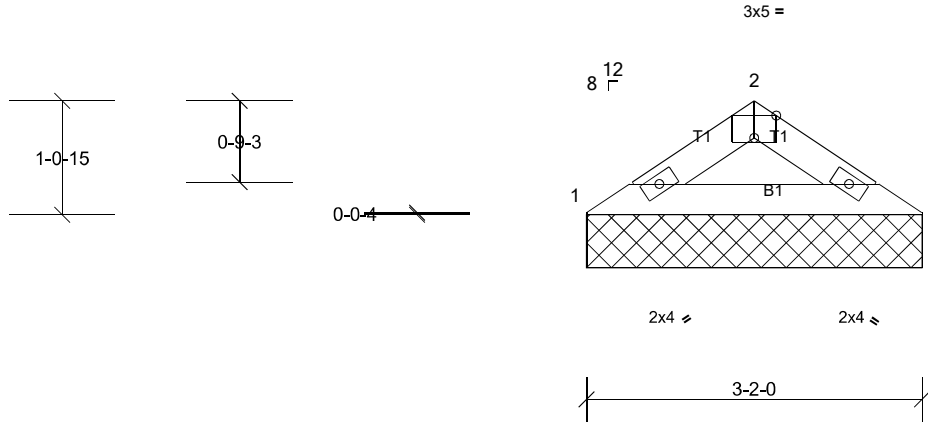
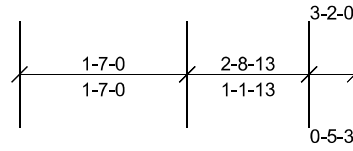
Job 20120029	Truss V10	Truss Type Valley	Qty 1	Ply 1	4 Rosemont Job Reference (optional)
-----------------	--------------	----------------------	----------	----------	--

Carter Components - Sanford, Sanford, NC, user

Run: 8.41 S Oct 26 2020 Print: 8.410 S Oct 26 2020 MiTek Industries, Inc. Thu Dec 31 10:44:59

Page: 1

ID:18LdpeGvkgnbnfsoZGrvuy3VX5-d93MsyOfcO11JlJygnx93Ljxokn0xHQa0NIawy3UM2



Scale = 1:21.8

Plate Offsets (X, Y): [2:0-2-8,Edge]

Loading	(psf)	Spacing	2-0-0	CSI		DEFL	in	(loc)	l/defl	L/d	PLATES	GRIP
TCLL (roof)	20.0	Plate Grip DOL	1.15	TC	0.07	Vert(LL)	n/a	-	n/a	999	MT20	244/190
Snow (Pf/Pg)	13.9/20.0	Lumber DOL	1.15	BC	0.07	Vert(TL)	n/a	-	n/a	999		
TCDL	10.0	Rep Stress Incr	YES	WB	0.00	Horiz(TL)	0.00	3	n/a	n/a		
BCLL	0.0*	Code	IRC2018/TPI2014	Matrix-MP							Weight: 9 lb	FT = 20%
BCDL	10.0											

**LUMBER**  
TOP CHORD 2x4 SP No.2  
BOT CHORD 2x4 SP No.2

**BRACING**  
TOP CHORD  
BOT CHORD

Structural wood sheathing directly applied or 3-2-0 oc purlins.  
Rigid ceiling directly applied or 10-0-0 oc bracing.

**REACTIONS** (lb/size) 1=107/3-2-0, (min. 0-1-8), 3=107/3-2-0, (min. 0-1-8)  
Max Horiz 1=-17 (LC 11)  
Max Grav 1=127 (LC 2), 3=127 (LC 2)

MiTek recommends that Stabilizers and required cross bracing be installed during truss erection, in accordance with Stabilizer Installation guide.

**FORCES** (lb) - Max. Comp./Max. Ten. - All forces 250 (lb) or less except when shown.

**NOTES**

- Unbalanced roof live loads have been considered for this design.
- Wind: ASCE 7-16; Vult=130mph (3-second gust) Vasd=103mph; TCDL=6.0psf; BCDL=6.0psf; h=25ft; Cat. II; Exp B; Enclosed; MWFRS (envelope) and C-C Exterior(2E) zone;C-C for members and forces & MWFRS for reactions shown; Lumber DOL=1.60 plate grip DOL=1.33
- TCLL: ASCE 7-16; Pr=20.0 psf (roof LL: Lum DOL=1.15 Plate DOL=1.15); Pg=20.0 psf; Pf=13.9 psf (Lum DOL=1.15 Plate DOL=1.15); Is=1.0; Rough Cat B; Fully Exp.; Ce=0.9; Cs=1.00; Ct=1.10
- Gable requires continuous bottom chord bearing.
- \* This truss has been designed for a live load of 20.0psf on the bottom chord in all areas where a rectangle 3-06-00 tall by 2-00-00 wide will fit between the bottom chord and any other members.
- This truss is designed in accordance with the 2018 International Residential Code sections R502.11.1 and R802.10.2 and referenced standard ANSI/TPI 1.

**LOAD CASE(S)** Standard