

F02 See Boise literature for joist vertical load capacity.

Note: Minimum 2x6 bearing plate required with 2" flange width & larger series joists.

F06 Load bearing wall above (stacked over wall below)

BCI® Joist Blocking See Boise literature for vertical load capacity.

F07 See Boise literature for vertical load capacity.

Nail Boise Rimboard to BCI® joist with 8d nail into each flange.

F08

Solid block all posts from above to bearing below.

F09 Load bearing wall above (stacked over wall below)

1/16" 2x block

F10 Backer block (12" wide min.) Nail with 10- 10d nails. Install tight to top flange.

Joist hanger

Filler block. Nail with 10-10d nails.

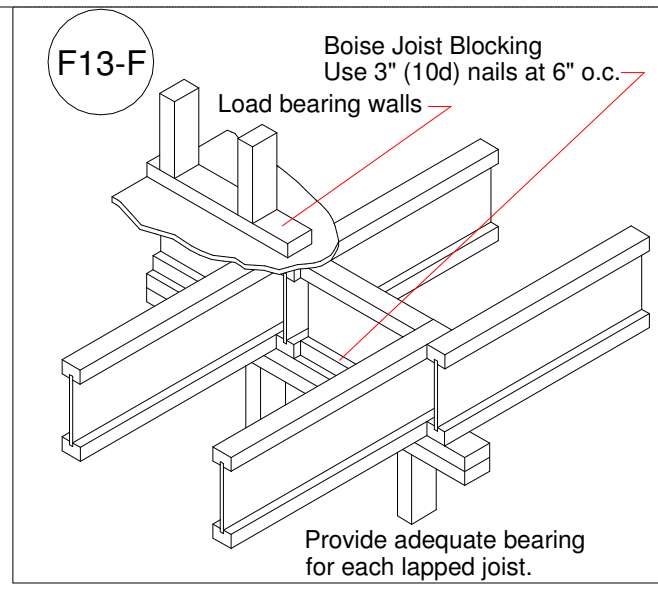
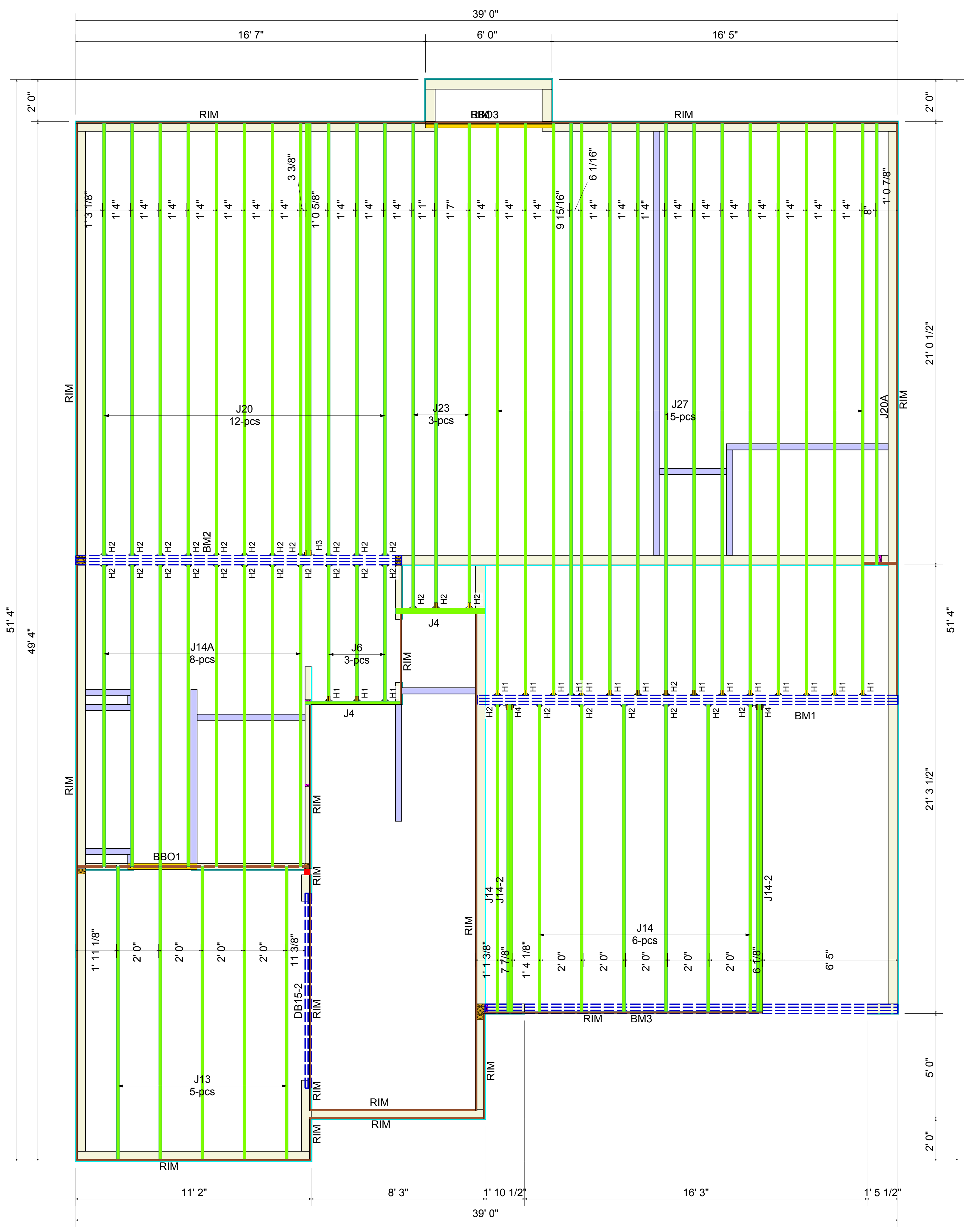
Backer block required where top mount hanger load exceeds 250 lbs. Install tight to top flange.

F58 Double BCI® Joist Connection

Filler Block (see literature)

Web-Filler Nailing 12" OC

Connection valid for all applications. Contact Boise EWP Engineering for specific conditions.



Builders FirstSource

Boise Cascade

www.bldr.com

1135 ROBESON STREET
FAYETTEVILLE, NC 28305
V (910) 485-1111

7601 BOEING DRIVE
GREENSBORO, NC 27409
V (336) 884-5454

3189 NC HIGHWAY 5
ABERDEEN NC 28315
V (910) 944-2516

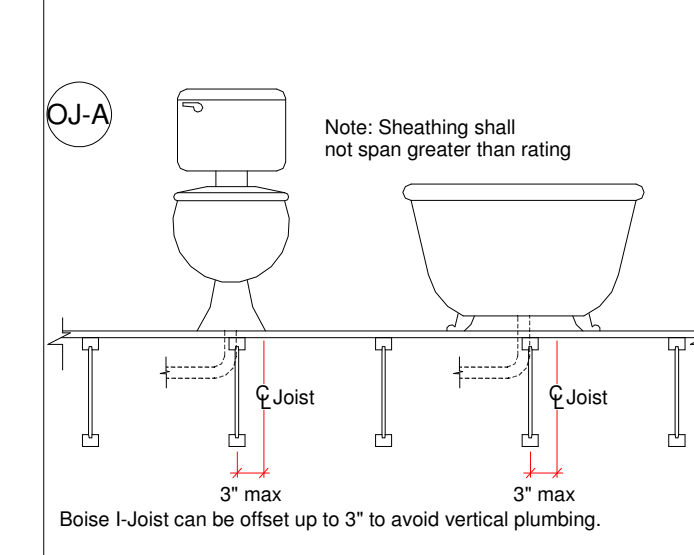
This layout and associated materials list has been prepared based on project plans and/or information provided to Builders FirstSource (BFS). It remains the responsibility of the builder, architect, designer, or other responsible persons to review this information to assure that it is appropriate, accurate, complete and complies with applicable building codes.

- GENERAL NOTES:**
- 1.) READ THE INSTALLATION GUIDE BEFORE FRAMING.
 - 2.) ALL WALLS SHOWN ARE LOAD BEARING UNLESS NOTED OTHERWISE. WALLS NOT SHOWN ARE CONSIDERED NON-LOAD BEARING.
 - 3.) UNLESS STATED OTHERWISE ALL CEILING & ROOF LOADS BRACE DIRECTLY TO LOAD BEARING WALLS SUPPORTED BY FOUNDATION.
 - 4.) CONTACT BUILDERS FIRSTSOURCE BEFORE MAKING ANY ALTERATIONS OR ADJUSTMENTS...FAILURE TO DO SO MAY RESULT IN COSTLY REPAIRS.

JESSAMINE
SEAL DATE 6-2-16
FRONT ENTRY GARAGE
2nd FLOOR EWP PLACEMENT PLAN

Products				
PlotID	Length	Product	Plies	Net Qty
J27	27' 1 3/4"	14" BCI® 4500s-1.8	1	15
J23	23' 0"	14" BCI® 4500s-1.8	1	3
J20A	20' 11 1/2"	14" BCI® 4500s-1.8	1	1
J20	20' 6 1/4"	14" BCI® 4500s-1.8	1	11
J20	20' 6 1/4"	14" BCI® 4500s-1.8	2	2
J14	14' 7"	14" BCI® 4500s-1.8	1	7
J14-2	14' 7"	14" BCI® 4500s-1.8	2	4
J14A	14' 4"	14" BCI® 4500s-1.8	1	8
J13	13' 10 3/4"	14" BCI® 4500s-1.8	1	5
J6	6' 6"	14" BCI® 4500s-1.8	1	3
J4	4' 6"	14" BCI® 4500s-1.8	1	1
J4	4' 3"	14" BCI® 4500s-1.8	2	2
DB15-2	10' 0"	1-3/4" x 9-1/4" VERSA-LAM® 2.0 3100 SP	2	2
BM2	16' 0"	1-3/4" x 14" VERSA-LAM® 2.0 3100 SP	3	3
BM3	20' 0"	1-3/4" x 16" VERSA-LAM® 2.0 3100 SP	3	3
BM1	20' 0"	1-3/4" x 18" VERSA-LAM® 2.0 3100 SP	3	3
RIM	12' 0"	1" x 14" BC RIM BOARD OSB	1	18
BK	2' 0"	14" BCI® 4500s-1.8	1	6

Hangers			
PlotID	Qty	Manuf	Product
H1	17	Simpson	HU11
H2	33	Simpson	IUS 1.81/14
H3	1	Simpson	IUS 3.56/14
H4	2	Simpson	MIU 3.56/14



H & H HOMES

JESSAMINE RH FE - MASTER

2nd FLOOR EWP PLACEMENT PLAN

Builders FirstSource, Central Carolina Markets

DRAWN BY: LEE ATKINS DATE: 10-19-17

SCALE: NOT TO SCALE JOB NUMBER:

MINIMUM DESIGN DATA

LIVE LOAD 40 PSF
DEAD LOAD 10 PSF

TOTAL LOAD 50 PSF

DOL = 100%

DEFLECTION CRITERIA
L/480 (MINIMUM)

ARCHITECTURAL PLAN DATE
5-31-16

SEAL DATE
6-2-16

Sheet
1 of 1