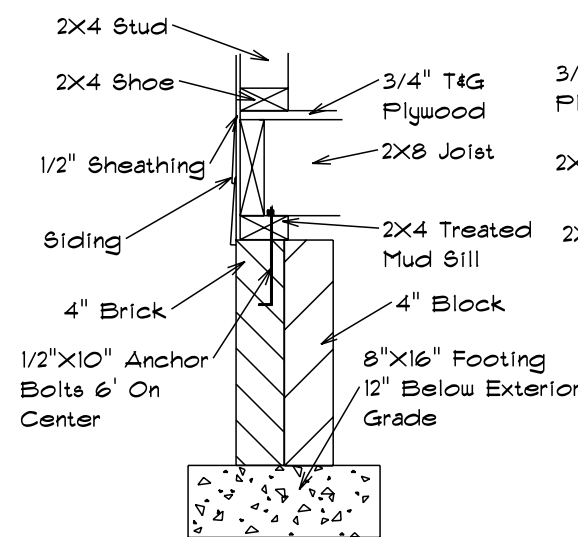
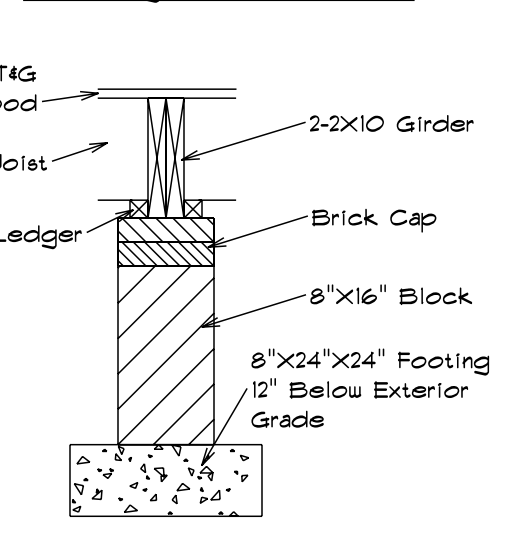


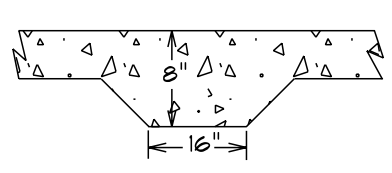
**Foundation Detail**



**Footing & Pier Detail**

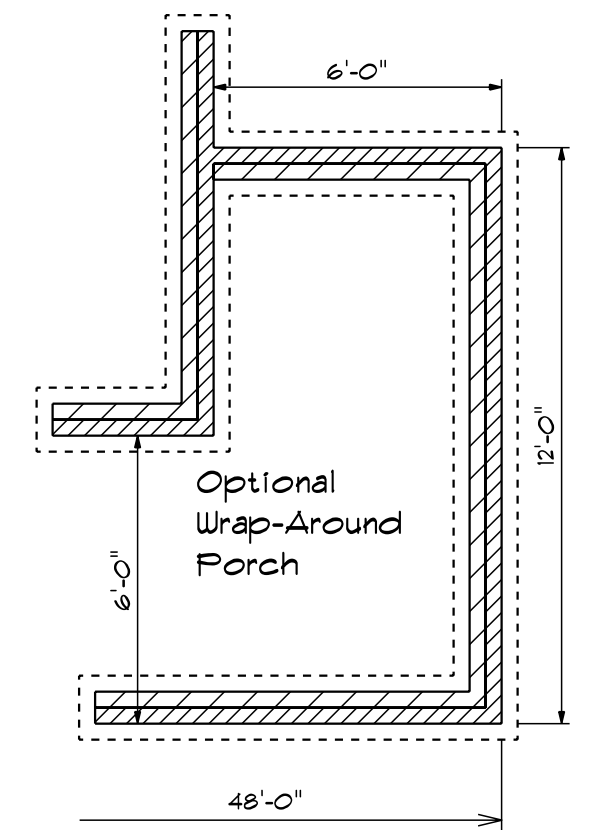
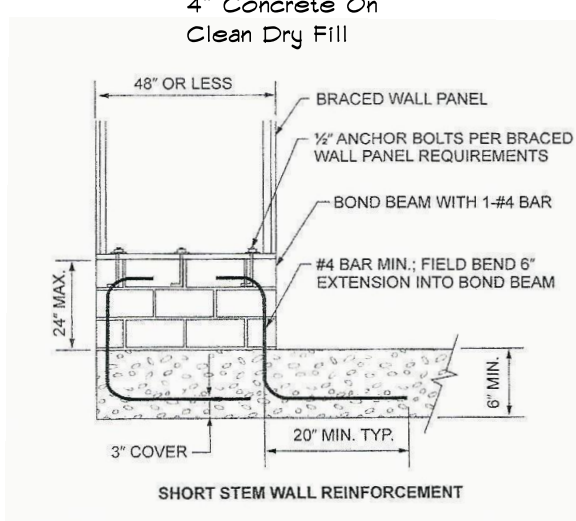
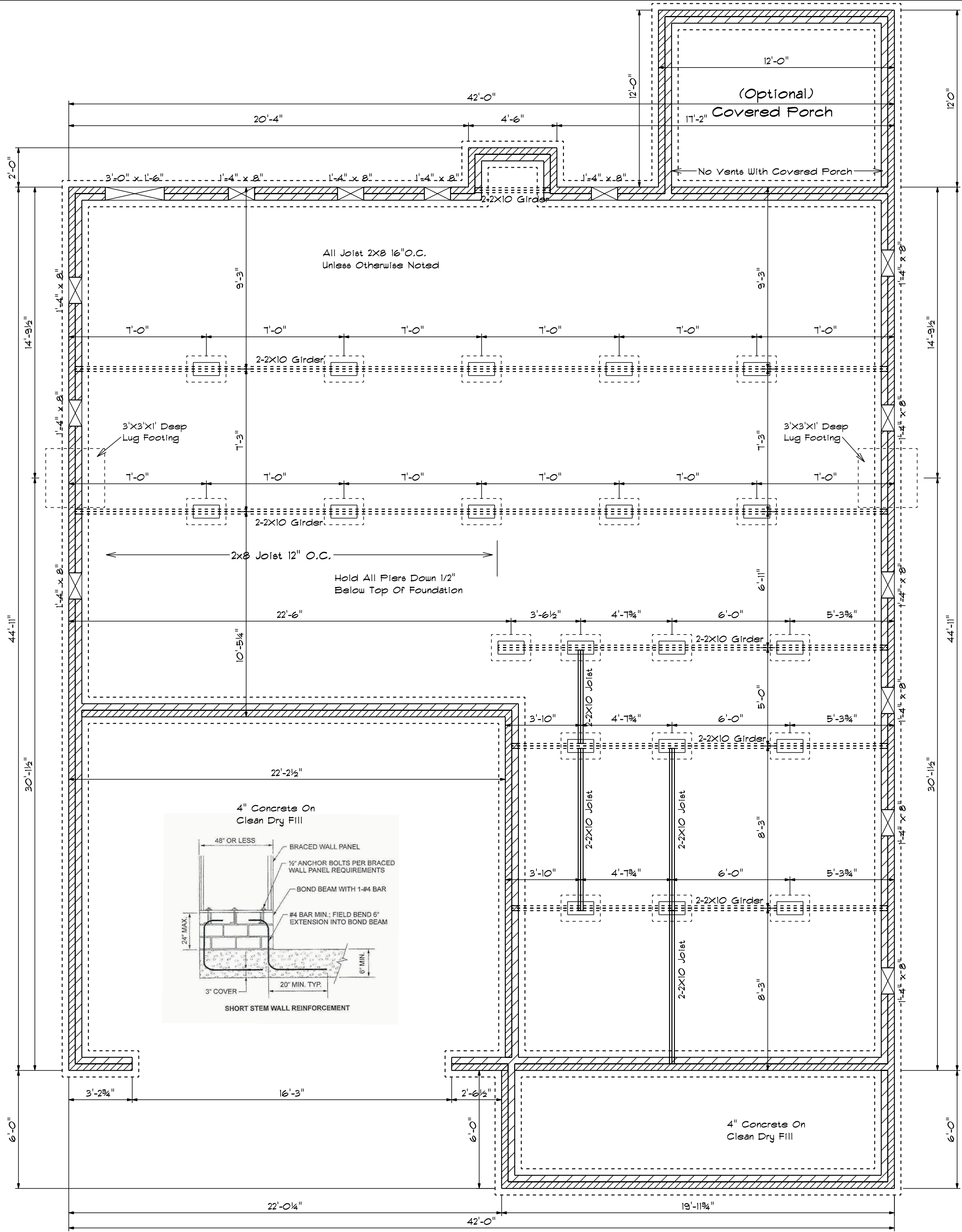
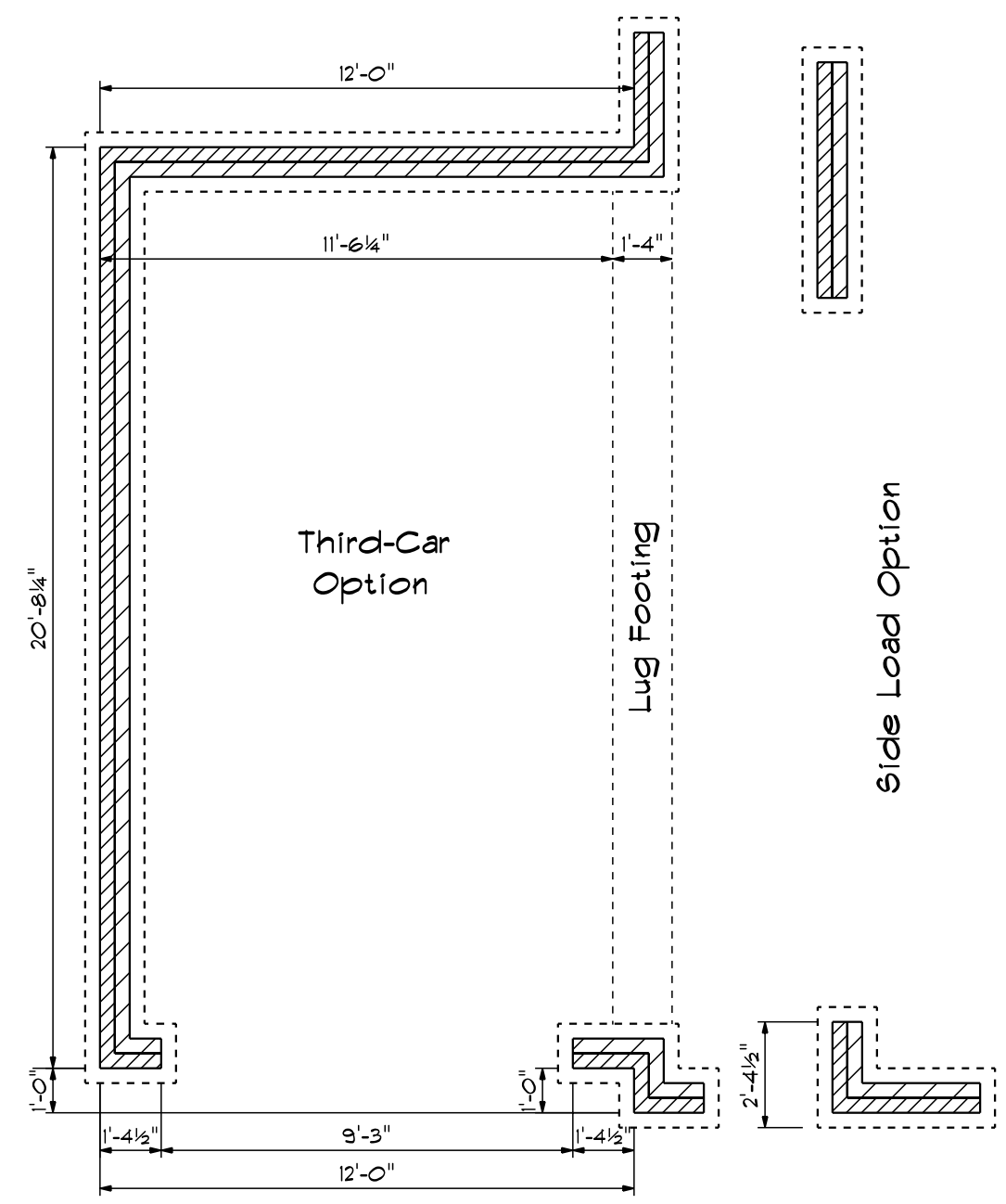


**Lug Footing Detail**



**FOUNDATION VENTILATION**

1890 Sq.Ft. Foundation Area  
Requires 12.6 Sq.Ft. Ventilation.  
With 6 Mil. Poly, Plans Indicate  
Vents For Adequate Cross  
Ventilation.



**Foundation Plan**

Base Designs  
2121 Chimney Pt.  
Linden N.C. 28356  
910-864-1253

DATE 4/9/2021  
REVISED  
DRAWING\*

SCALE: 1/4"  
DRAWN BY  
APPROVED

**The Stockton XL**