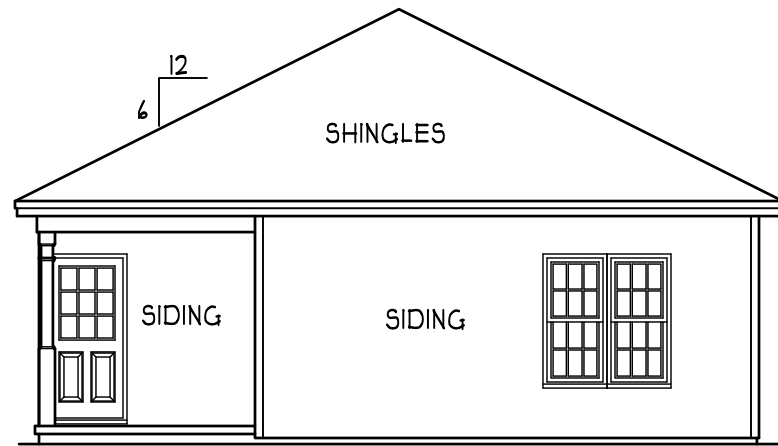
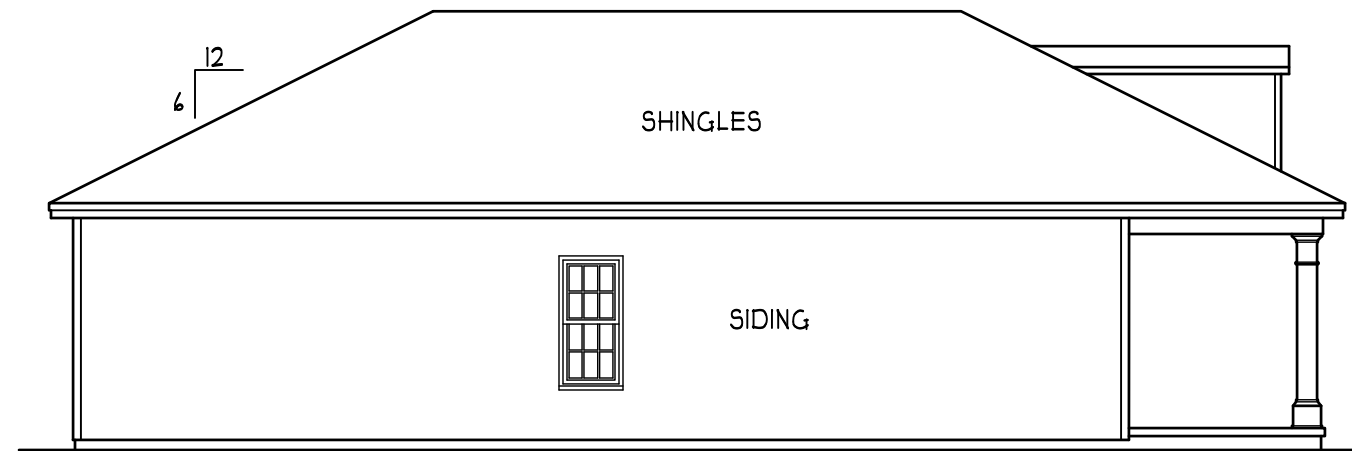


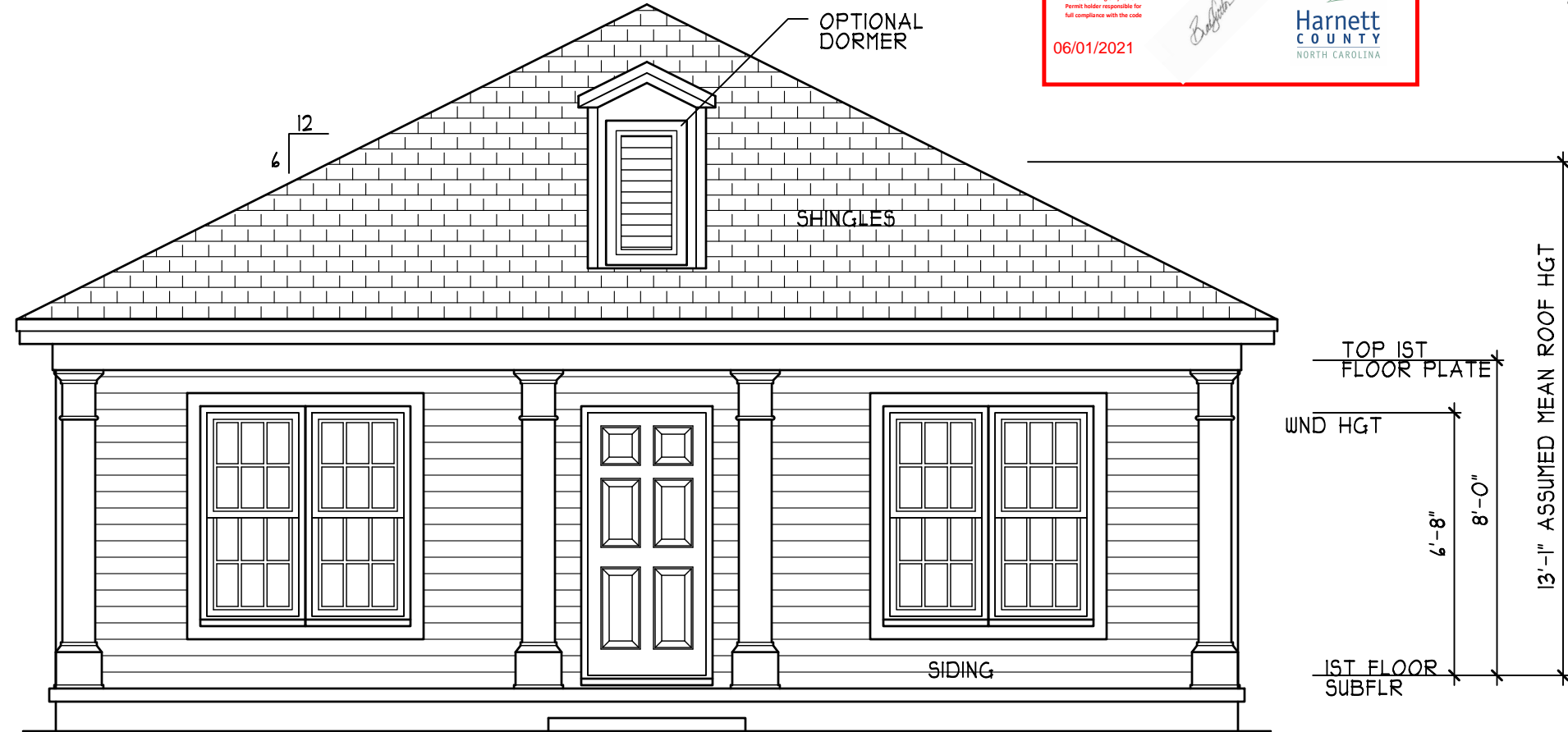
**FRONT ELEVATION
CRAWL SPACE OPTION**
SCALE 1/8" = 1'-0"



REAR ELEVATION
SCALE 1/8" = 1'-0"



LEFT ELEVATION
SCALE 1/8" = 1'-0"



FRONT ELEVATION
SCALE 1/4" = 1'-0"

ENERGY COMPLIANCE

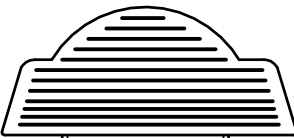
ZONE 3A = MAX. GLAZING U-FACTOR .35
R-VALUE = CEILING R30, WALLS R13,
FLOORS R19

ZONE 4A = MAX. GLAZING U-FACTOR .35
R-VALUE = CEILING R38, WALLS R15,
FLOORS R19

NOTICE TO CONTRACTOR
All construction must comply with current NC Building Codes and is subject to field inspection and verification.

APPROVED
Limited building review
Permit holder responsible for full compliance with the code

06/01/2021



THE CHARLESTON
JEREMY STRICKLAND

HEATED FOOTAGE:
#1270

SQUARE FOOTAGE:
FIRST FLOOR = 1270
FRONT PORCH = 240
REAR PORCH = 50

DESIGNED BY:
HEATHER HALL
165 HEATHERSTONE CT
BENSON NC 27504
(919) 207-1403

H SQUARED HOME DESIGN, INC.

ANY DEVIATION OF THE SPECIFIED REQUIREMENTS OF DIMENSIONS OR DESIGN SHALL BE THE DESIGNER'S LIABILITY.
THIS PLAN HAS BEEN DRAWN IN ACCORDANCE WITH NORTH CAROLINA STATE RESIDENTIAL BUILDING CODES 2018 EDITION.

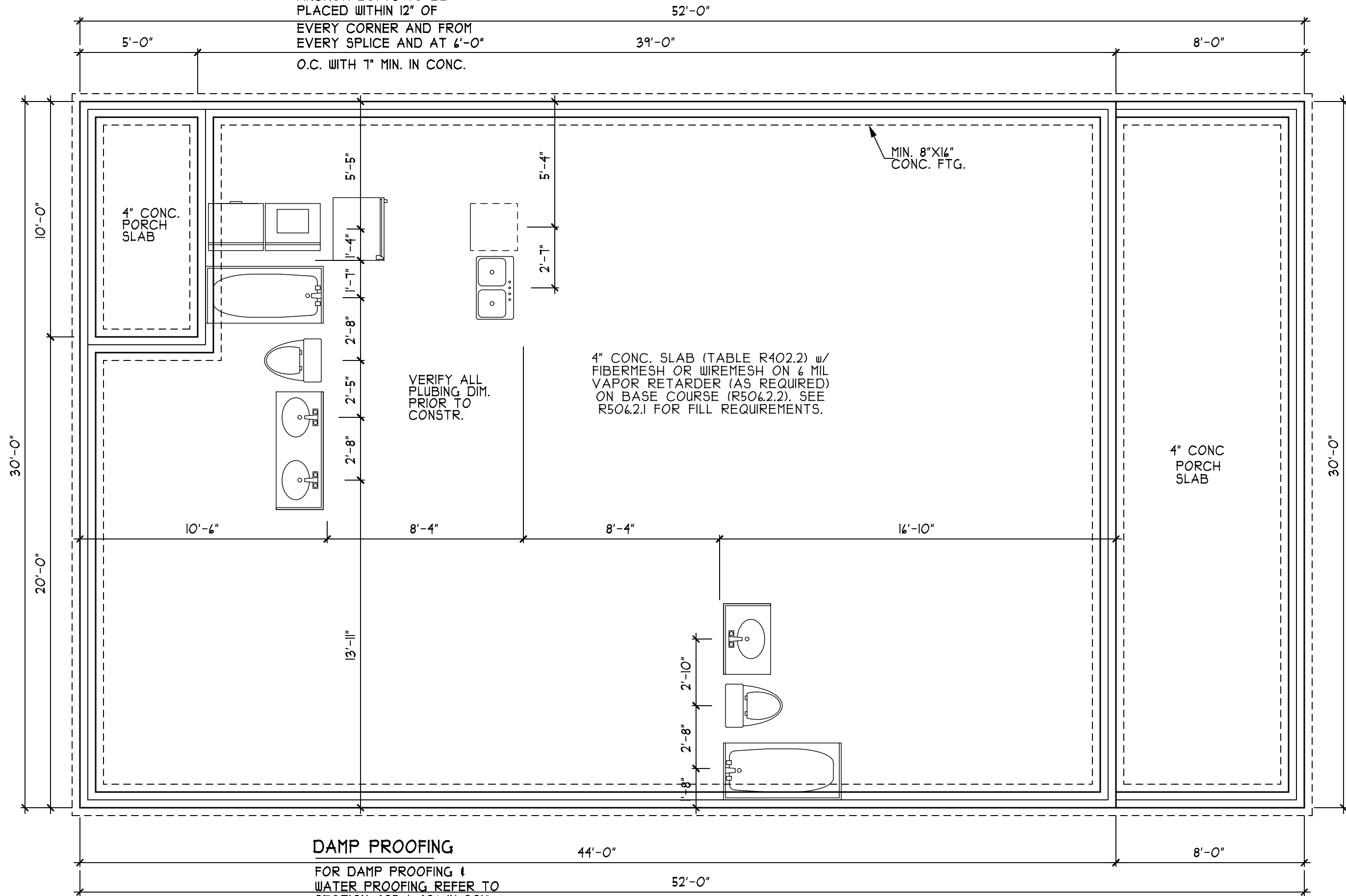
DATE:
01/23/2020

1 STORY

FILE:
010920

ANCHOR BOLTS

ANCHOR BOLTS TO BE
PLACED WITHIN 12" OF
EVERY CORNER AND FROM
EVERY SPLICE AND AT 6'-0"
O.C. WITH 7" MIN. IN CONC.



DAMP PROOFING

FOR DAMP PROOFING &
WATER PROOFING REFER TO
SECTION 405 & 406 IN 2018
EDITION NC RES. CODES

44'-0"

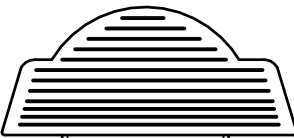
52'-0"

8'-0"

*SEE SD SHEET
FOR NOTES & DETAILS

**STEM WALL
FOUNDATION PLAN**

SCALE 1/4" = 1'-0"



**THE CHARLESTON
HOME
DESIGN, INC.**

HEATED FOOTAGE:
#1270

SQUARE FOOTAGE:
FIRST FLOOR = 1270
FRONT PORCH = 240
REAR PORCH = 50

DESIGNED BY:
HEATHER HALL
165 HEATHERSTONE CT
BENSON NC 27504
(919) 207-1403

**H SQUARED
HOME
DESIGN, INC.**

ANY DEVIATION OF THE
SPECIFIED REQUIREMENTS
OR DIMENSIONS IS THE
DESIGNER'S LIABILITY.
THIS PLAN HAS BEEN DRAWN
IN ACCORDANCE WITH NORTH
CAROLINA STATE RESIDENTIAL
BUILDING CODES 2018 EDITION.

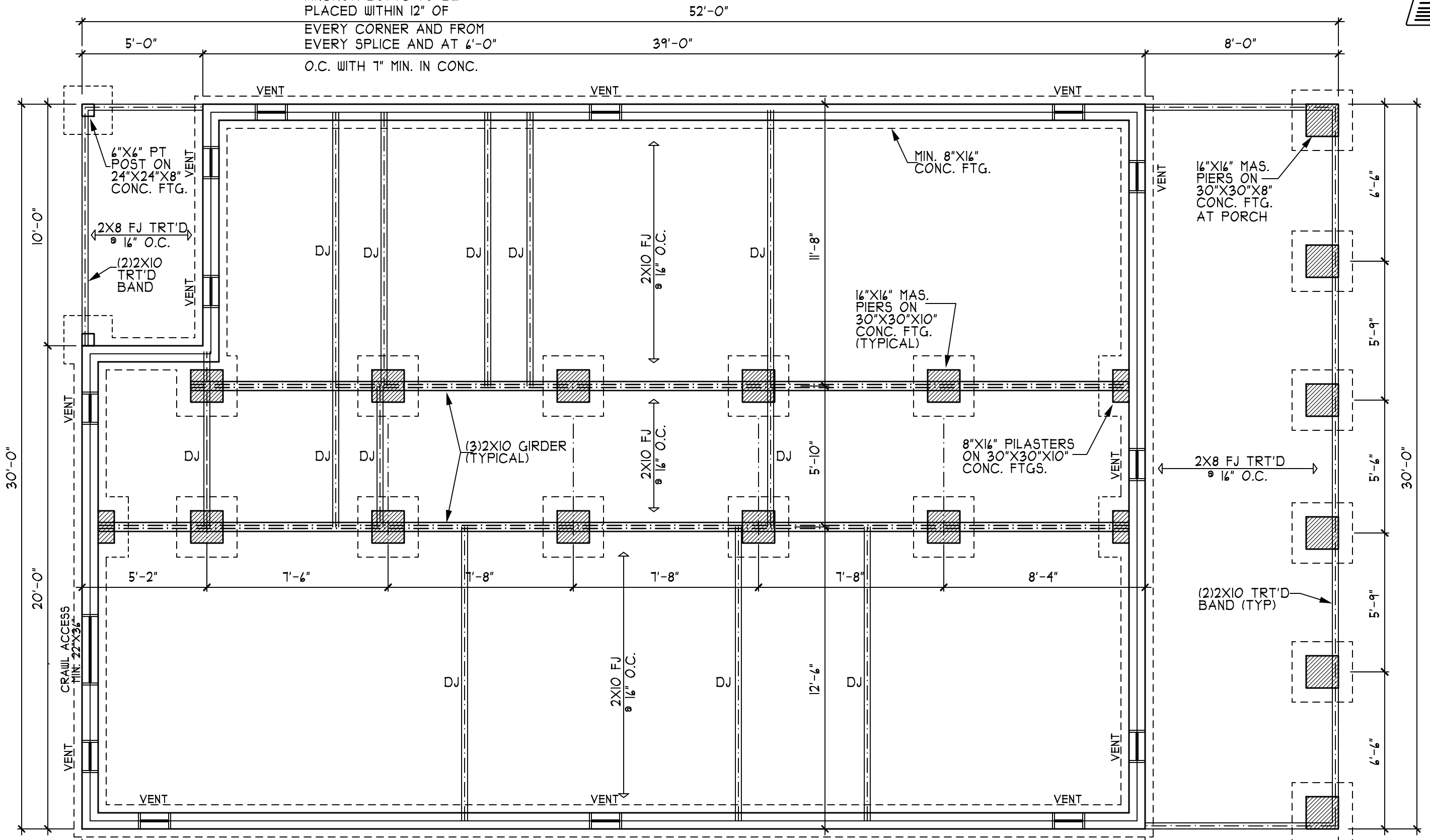
DATE:
01/23/2020

1 STORY

FILE:
010920

ANCHOR BOLTS

ANCHOR BOLTS TO BE
PLACED WITHIN 12" OF
EVERY CORNER AND FROM
EVERY SPLICE AND AT 6'-0"
O.C. WITH 1" MIN. IN CONC.



DAMP PROOFING

FOR DAMP PROOFING &
WATER PROOFING REFER TO
SECTION 405 & 406 IN 2018
EDITION NC RES. CODES

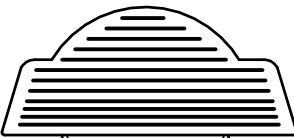
FND VENTS

1270/150 = 8.5 SQ. FT. REQ'D
8.5/.88 = 10 VENTS
*WITH VAPOR BARRIER
*ONE VENT MUST BE
WITHIN 3'-0" OF EVERY CRNR.

*SEE SD SHEET
FOR NOTES & DETAILS

**CRAWL SPACE
FOUNDATION PLAN**

SCALE 1/4" = 1'-0"



THE CHARLESTON
JEREMY STRICKLAND

HEATED FOOTAGE:
#1270

SQUARE FOOTAGE:
FIRST FLOOR = 1270
FRONT PORCH = 240
REAR PORCH = 50

DESIGNED BY:
HEATHER HALL
165 HEATHERSTONE CT
BENSON NC 27504
(919) 207-1403

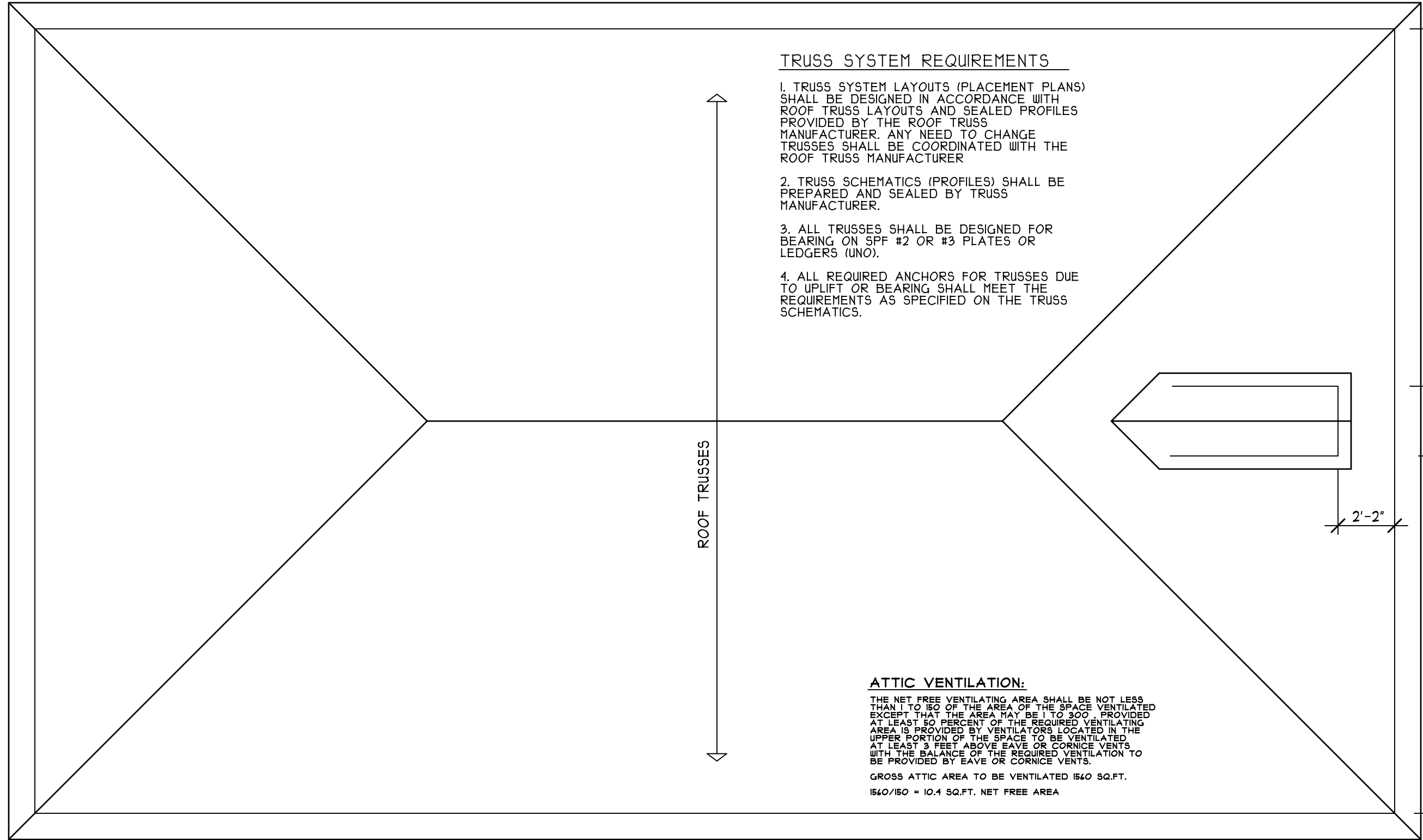
H SQUARED
HOME
DESIGN, INC.

ANY DEVIATION OF THE
SPECIFIED REQUIREMENTS
OR DIMENSIONS SHALL BE
THE RESPONSIBILITY OF THE
CLIENT'S LIABILITY.
THIS PLAN HAS BEEN DRAWN
IN ACCORDANCE WITH NORTH
CAROLINA STATE RESIDENTIAL
BUILDING CODES 2018 EDITION.

DATE:
01/23/2020

1 STORY

FILE:
010920



TRUSS SYSTEM REQUIREMENTS

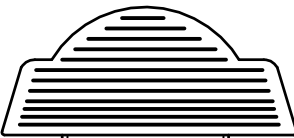
1. TRUSS SYSTEM LAYOUTS (PLACEMENT PLANS) SHALL BE DESIGNED IN ACCORDANCE WITH ROOF TRUSS LAYOUTS AND SEALED PROFILES PROVIDED BY THE ROOF TRUSS MANUFACTURER. ANY NEED TO CHANGE TRUSSES SHALL BE COORDINATED WITH THE ROOF TRUSS MANUFACTURER.
2. TRUSS SCHEMATICS (PROFILES) SHALL BE PREPARED AND SEALED BY TRUSS MANUFACTURER.
3. ALL TRUSSES SHALL BE DESIGNED FOR BEARING ON SPF #2 OR #3 PLATES OR LEDGERS (UNO).
4. ALL REQUIRED ANCHORS FOR TRUSSES DUE TO UPLIFT OR BEARING SHALL MEET THE REQUIREMENTS AS SPECIFIED ON THE TRUSS SCHEMATICS.

ATTIC VENTILATION:

THE NET FREE VENTILATING AREA SHALL BE NOT LESS THAN 1 TO 150 OF THE AREA OF THE SPACE VENTILATED EXCEPT THAT THE AREA MAY BE 1 TO 300 PROVIDED AT LEAST 50 PERCENT OF THE REQUIRED VENTILATING AREA IS PROVIDED BY VENTILATORS LOCATED IN THE UPPER PORTION OF THE SPACE TO BE VENTILATED AT LEAST 3 FEET ABOVE EAVE OR CORNICE VENTS WITH THE BALANCE OF THE REQUIRED VENTILATION TO BE PROVIDED BY EAVE OR CORNICE VENTS.

GROSS ATTIC AREA TO BE VENTILATED 1560 SQ.FT.
 1560/150 = 10.4 SQ.FT. NET FREE AREA

ROOF PLAN
 SCALE 1/4" = 1'-0"



THE CHARLESTON
JEREMY STRICKLAND

HEATED FOOTAGE:
#1270

SQUARE FOOTAGE:
 FIRST FLOOR = 1270
 FRONT PORCH = 240
 REAR PORCH = 50

DESIGNED BY:
 HEATHER HALL
 165 HEATHERSTONE CT
 BENSON NC 27504
 (919) 207-1403

H SQUARED
HOME
DESIGN, INC.



ANY DEVIATION OF THE SPECIFIED REQUIREMENTS OR DIMENSIONS SHALL BE THE DESIGNER'S LIABILITY.
 THIS PLAN HAS BEEN DRAWN IN ACCORDANCE WITH NORTH CAROLINA STATE RESIDENTIAL BUILDING CODES 2018 EDITION.

DATE:
 01/23/2020

1 STORY

FILE:
 010920

STRUCTURAL NOTES

1) ALL CONSTRUCTION SHALL CONFORM TO THE LATEST REQUIREMENTS OF THE NORTH CAROLINA STATE RESIDENTIAL CODE - 2018 EDITION, PLUS ALL LOCAL CODES AND REGULATIONS. THE STRUCTURAL ENGINEER OR DESIGNER IS NOT RESPONSIBLE FOR, AND WILL NOT HAVE CONTROL OF, CONSTRUCTION MEANS, METHODS, TECHNIQUES, SEQUENCES OR PROCEDURES, OR FOR SAFETY PRECAUTIONS AND PROGRAMS IN CONNECTION WITH THE CONSTRUCTION WORK. NOR WILL THE ENGINEER OR DESIGNER BE RESPONSIBLE FOR THE CONTRACTOR'S FAILURE TO CARRY OUT THE CONSTRUCTION WORK IN ACCORDANCE WITH THE CONTRACT DOCUMENTS. "CONSTRUCTION REVIEW" SERVICES ARE NOT PART OF OUR CONTRACT. ALL MEMBERS SHALL BE FRAMED, ANCHORED, TIED AND BRACED IN ACCORDANCE WITH GOOD CONSTRUCTION PRACTICE AND THE BUILDING CODE.

DESIGN LOADS (R301.4)	LIVE LOAD (PSF)	DEAD LOAD (PSF)	DEFLECTION (LL)
ROOMS OTHER THAN SLEEPING ROOMS	40	10	L/360
SLEEPING ROOMS	30	10	L/360
ATTIC WITH PERMANENT STAIR	40	10	L/360
ATTIC WITH OUT PERMANENT STAIR	20	10	L/360
ATTIC WITH OUT STORAGE	10	10	L/240
STAIRS	40	---	L/360
EXTERIOR BALCONIES	60	10	L/360
DECKS	40	10	L/360
GUARDRAILS AND HANDRAILS	200	---	---
PASSENGER VEHICLE GARAGES	50	10	L/360
FIRE ESCAPES	40	10	L/360
SNOW	20	---	---
WIND LOAD (BASED ON 115/120 MPH WIND VELOCITY & EXPOSURE B)			

3) WALL BRACING: BRACED WALL PANELS SHALL BE CONSTRUCTED ACCORDING TO SECTION R602.10.3. THE AMOUNT AND LOCATION OF BRACING SHALL COMPLY WITH TABLE R602.10.1. THE LENGTH OF BRACED PANELS SHALL BE DETERMINED BY SECTION R602.10.4. LATERAL BRACING SHALL BE SATISFIED PER METHOD 3 BY CONTINUOUSLY SHEATHING WALLS WITH STRUCTURAL SHEATHING PER SECTION R602.10.3. NOTE THAT ANY SPECIFIC BRACED WALL DETAIL SHALL BE INSTALLED AS SPECIFIED.

4) CONCRETE SHALL HAVE A MINIMUM 28 DAY STRENGTH OF 3000 PSI AND A MAXIMUM SLUMP OF 5 INCHES UNLESS NOTED OTHERWISE (UNO). AIR ENTRAINED PER TABLE 402.2. ALL CONCRETE SHALL BE PROPORTIONED, MIXED, HANDLED, SAMPLED, TESTED, AND PLACED IN ACCORDANCE WITH ACI STANDARDS. ALL SAMPLES FOR PUMPING SHALL BE TAKEN FROM THE EXIT END OF THE PUMP.

5) ALLOWABLE SOIL BEARING PRESSURE ASSUMED TO BE 2000 PSF. THE CONTRACTOR MUST CONTACT A GEOTECHNICAL ENGINEER AND THE STRUCTURAL ENGINEER IF UNSATISFACTORY SUBSURFACE CONDITIONS ARE ENCOUNTERED. THE SURFACE AREA ADJACENT TO THE FOUNDATION WALL SHALL BE PROVIDED WITH ADEQUATE DRAINAGE, AND SHALL BE GRADED SO AS TO DRAIN SURFACE WATER AWAY FROM FOUNDATION WALLS.

6) ALL FRAMING LUMBER SHALL BE SPF #2 (Fb = 875 PSI) UNLESS NOTED OTHERWISE (UNO). ALL TREATED LUMBER SHALL BE SYP #2 (Fb=915 PSI). PLATE MATERIAL MAY BE SPF #3 OR SYP #3 (Fci/perp) = 425 PSI - MIN).

7) ALL WOODEN BEAMS AND HEADERS SHALL HAVE THE FOLLOWING END SUPPORTS: (1) 2x4 STUD COLUMN FOR 4'-0" MAX. BEAM SPAN (UNO), (2) 2x4 STUDS FOR BEAM SPAN GREATER THAN 4'-0" (UNO).

8) L.V.L. SHALL BE LAMINATED VENEER LUMBER: Fb=2400 PSI, Fv=285 PSI, E=1.9x10⁶ PSI. P.S.L. SHALL BE PARALLEL STRAND LUMBER: Fb=2400 PSI, Fv=290 PSI, E=2.0x10⁶ PSI. L.S.L. SHALL BE LAMINATED STRAND LUMBER: Fb=2250 PSI, Fv=400 PSI, E=1.55x10⁶ PSI. INSTALL ALL CONNECTIONS PER MANUFACTURERS INSTRUCTIONS.

9) ALL ROOF TRUSS AND I-JOIST LAYOUTS SHALL BE PREPARED IN ACCORDANCE WITH ANY SEALED STRUCTURAL DRAWINGS. TRUSSES AND I-JOISTS SHALL BE INSTALLED ACCORDING TO THE MANUFACTURE'S SPECIFICATIONS. ANY CHANGE IN TRUSS OR I-JOIST LAYOUT SHALL BE COORDINATED WITH DESIGNER OR ENGINEER.

10) ALL STRUCTURAL STEEL SHALL BE ASTM A-36. STEEL BEAMS SHALL BE SUPPORTED AT EACH END WITH A MINIMUM BEARING LENGTH OF 3 1/2" INCHES AND FULL FLANGE WIDTH. PROVIDE SOLID BEARING FROM BEAM SUPPORT TO FOUNDATION. BEAMS SHALL BE ATTACHED TO EACH SUPPORT WITH TWO LAG SCREWS (1/2" DIAMETER x 4" LONG). LATERAL SUPPORT IS CONSIDERED ADEQUATE PROVIDED THE JOIST ARE TOE NAILED TO THE SOLE PLATE, AND SOLE PLATE IS NAILED OR BOLTED TO THE BEAM FLANGE @ 48" O.C. . ALL STEEL TUBING SHALL BE ASTM A500.

11) REBAR SHALL BE DEFORMED STEEL, ASTM#45, GRADE 60.

12) FLITCH BEAMS SHALL BE BOLTED TOGETHER USING (2) ROWS OF 1/2" DIAMETER BOLTS (ASTM A307) WITH WASHERS PLACED UNDER THE THREADED END OF BOLT. BOLTS SHALL BE SPACED AT 24" O.C. (MAX), AND STAGGERED AT THE TOP AND BOTTOM OF BEAM (2" EDGE DISTANCE), WITH 2 BOLTS LOCATED AT 4" FROM EACH END.

13) BRICK LINTELS SHALL BE 3 1/2"x3 1/2"x1/4" STEEL ANGLE FOR UP TO 4'-0" SPAN AND 6"x4"x5/16" STEEL ANGLE WITH 6" LEG VERTICAL FOR SPANS UP TO 9'-0" (UNO).

14) THE POSITIVE AND NEGATIVE DESIGN PRESSURE FOR DOORS AND WINDOWS FOR A MEAN ROOF HEIGHT OF 35 FEET OR LESS SHALL BE 25 PSF.

15) THE POSITIVE AND NEGATIVE DESIGN PRESSURES REQUIRED FOR ANY ROOF OR WALL CLADDING APPLICATION NOT SPECIFICALLY ADDRESSED IN THE NORTH CAROLINA STATE RESIDENTIAL CODE - 2018 EDITION SHALL BE AS FOLLOWS:

ROOF:
45.4 PSF - 2.25:12 PITCH OR LESS
34.8 PSF - 2.25:12 TO 1:12 PITCH
21 PSF - 1:12 TO 12:12 PITCH

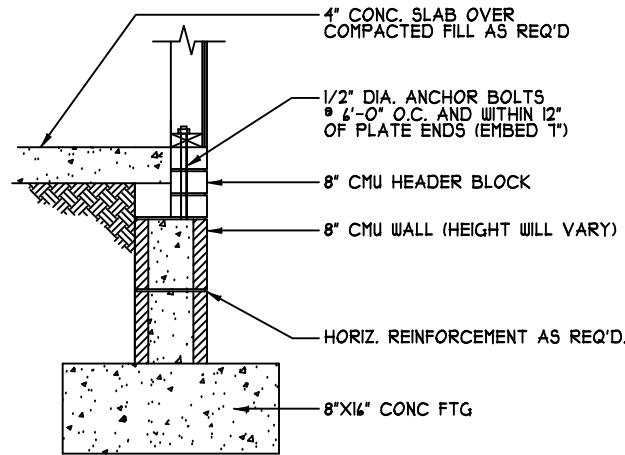
WALLS:
24.1 PSF - WALLS

HEADER/BEAM & COLUMN NOTES

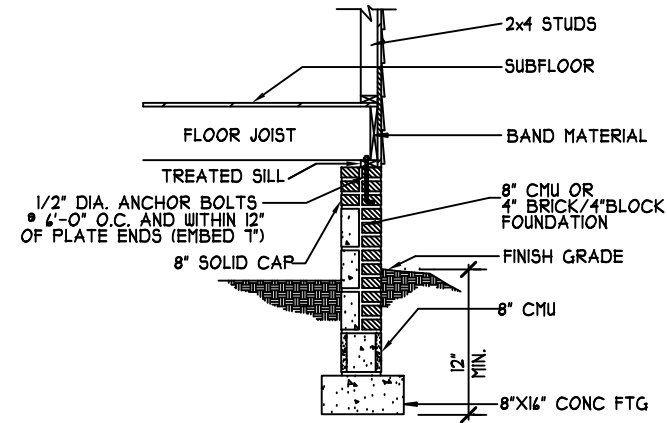
1. ALL EXTERIOR AND LOAD BEARING HEADERS SHALL BE MIN. (2) 2x10 (4" WALL) OR (3) 2x10 (6" WALL) WITH (1) SUPPORT STUD, UNLESS NOTED OTHERWISE.

2. THE NUMBER SHOWN AT BEAM AND HEADER SUPPORTS INDICATES THE NUMBER OF SUPPORT STUDS REQUIRED IN STUD POCKET OR COLUMN. THE NUMBER OF KING STUDS AT EACH END OF HEADERS IN EXTERIOR WALLS SHALL BE ACCORDING TO ITEM "d" IN TABLE R602.3(5) OR AS BELOW:

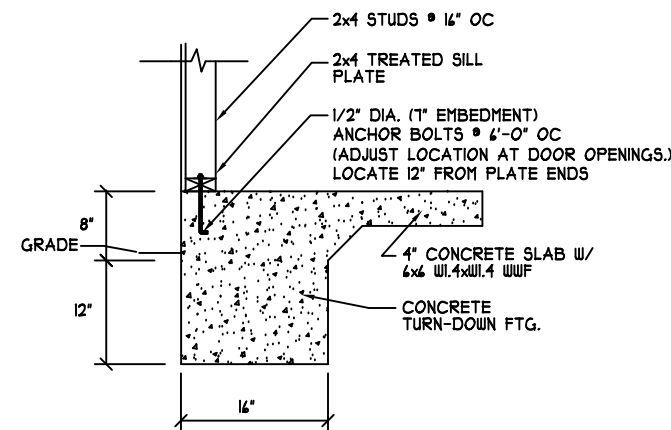
- UP TO 4' SPAN: (1) KING STUD
- OVER 4' UP TO 8' SPAN: (2) KING STUDS
- OVER 8' UP TO 11' SPAN: (3) KING STUDS
- OVER 11' SPAN: (4) KING STUDS



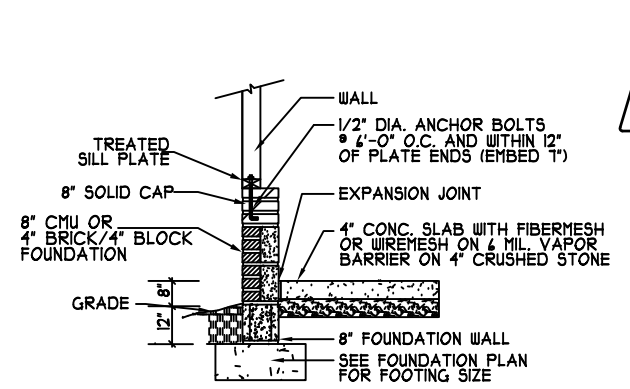
SLAB FND. W/ STEM WALL
NTS



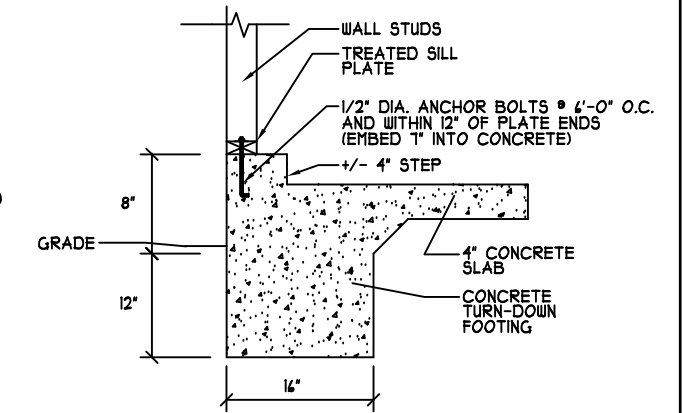
CRAWL SECTION
4\"/>



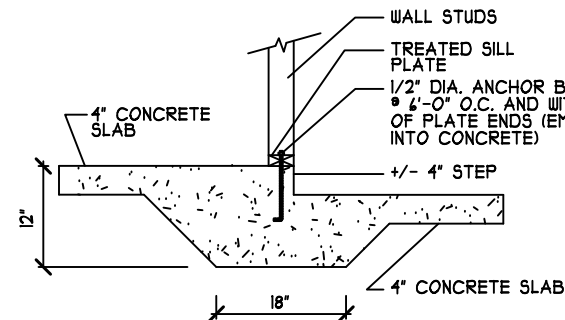
TURN DOWN SLAB FOOTING
NTS



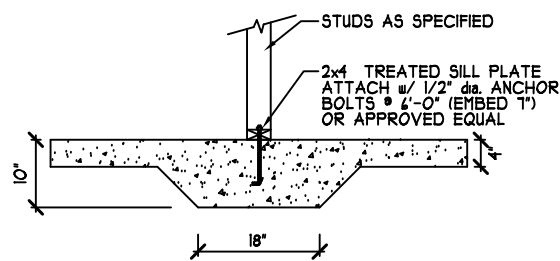
GARAGE SLAB
NTS



TURN DOWN SLAB @ GARAGE
(SIDING) NTS



TYPICAL THICKENED SLAB
NTS



TYPICAL THICKENED SLAB
NTS

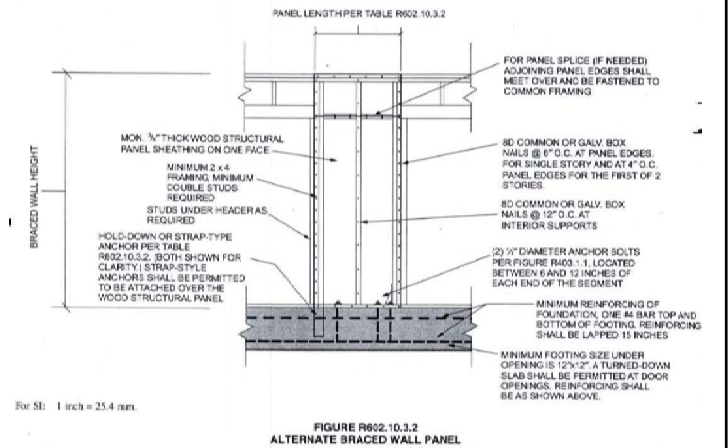


FIGURE R602.10.3.2 ALTERNATE BRACED WALL PANEL

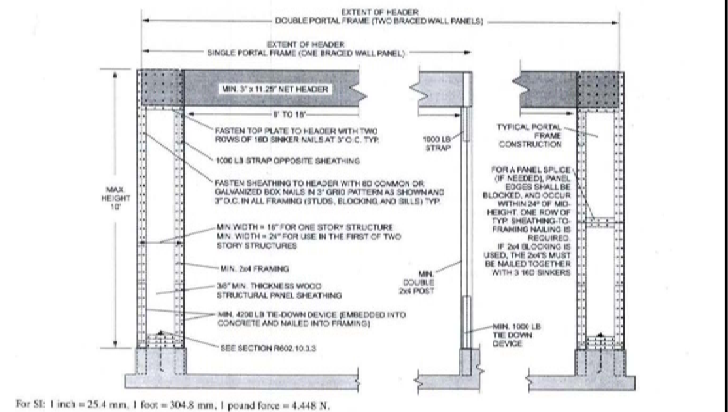


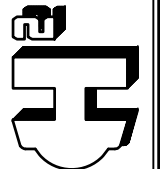
FIGURE R602.10.3.3 METHOD PFH: PORTAL FRAME WITH HOLD-DOWNS

DETAIL SHEET
115/120 MPH
WIND ZONE

NOT ALL DETAILS MAY
APPLY TO THIS PLAN

HEATHER HALL
165 HEATHERSTONE CT
BENSON NC 27504
(919) 207-1403

H SQUARED
HOME
DESIGN, INC.



ANY DEVIATION OF THE
DETAILS FROM THE
DRAWINGS SHALL BE AT
H SQUARED HOME
DESIGN, INC.'S LIABILITY.
THIS PLAN HAS BEEN DRAWN
IN ACCORDANCE WITH NORTH
CAROLINA STATE RESIDENTIAL
BUILDING CODES 2018 EDITION.

DATE:

FILE:

STRUCTURAL NOTES

- ALL CONSTRUCTION SHALL CONFORM TO THE LATEST REQUIREMENTS OF THE NORTH CAROLINA STATE RESIDENTIAL CODE - 2018 EDITION, PLUS ALL LOCAL CODES AND REGULATIONS. THE STRUCTURAL ENGINEER OR DESIGNER IS NOT RESPONSIBLE FOR, AND WILL NOT HAVE CONTROL OF, CONSTRUCTION MEANS, METHODS, TECHNIQUES, SEQUENCES OR PROCEDURES, OR FOR SAFETY PRECAUTIONS AND PROGRAMS IN CONNECTION WITH THE CONSTRUCTION WORK. NOR WILL THE ENGINEER OR DESIGNER BE RESPONSIBLE FOR THE CONTRACTOR'S FAILURE TO CARRY OUT THE CONSTRUCTION WORK IN ACCORDANCE WITH THE CONTRACT DOCUMENTS. "CONSTRUCTION REVIEW" SERVICES ARE NOT PART OF OUR CONTRACT. ALL MEMBERS SHALL BE FRAMED, ANCHORED, TIED AND BRACED IN ACCORDANCE WITH GOOD CONSTRUCTION PRACTICE AND THE BUILDING CODE.
- DESIGN LOADS (R301.4)

	LIVE LOAD (PSF)	DEAD LOAD (PSF)	DEFLECTION (LL)
ROOMS OTHER THAN SLEEPING ROOMS	40	10	L/360
SLEEPING ROOMS	30	10	L/360
ATTIC WITH PERMANENT STAIR	40	10	L/360
ATTIC WITH OUT PERMANENT STAIR	20	10	L/360
ATTIC WITH OUT STORAGE	10	10	L/240
STAIRS	40	---	L/360
EXTERIOR BALCONIES	60	10	L/360
DECKS	40	10	L/360
GUARDRAILS AND HANDRAILS	200	---	---
PASSENGER VEHICLE GARAGES	50	10	L/360
FIRE ESCAPES	40	10	L/360
SNOW	20	---	---

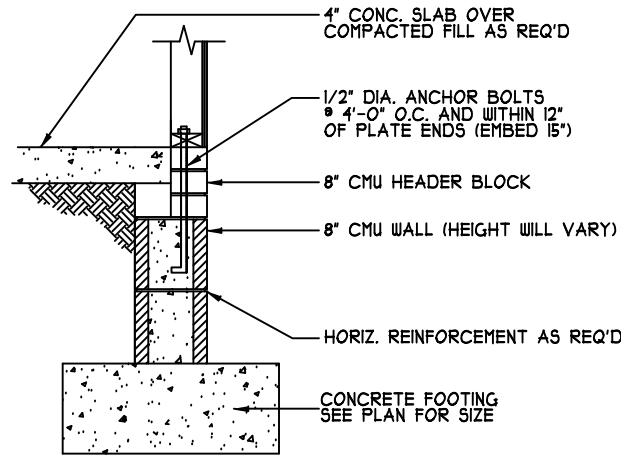
WIND LOAD (BASED ON 130 MPH WIND VELOCITY & EXPOSURE B)
- WALL BRACING: BRACED WALL PANELS SHALL BE CONSTRUCTED ACCORDING TO SECTION R602.10.3. THE AMOUNT AND LOCATION OF BRACING SHALL COMPLY WITH TABLE R602.10.1. THE LENGTH OF BRACED PANELS SHALL BE DETERMINED BY SECTION R602.10.4. LATERAL BRACING SHALL BE SATISFIED PER METHOD 3 BY CONTINUOUSLY SHEATHING WALLS WITH STRUCTURAL SHEATHING PER SECTION R602.10.3. NOTE THAT ANY SPECIFIC BRACED WALL DETAIL SHALL BE INSTALLED AS SPECIFIED.
- CONCRETE SHALL HAVE A MINIMUM 28 DAY STRENGTH OF 3000 PSI AND A MAXIMUM SLUMP OF 5 INCHES UNLESS NOTED OTHERWISE (UNO). AIR ENTRAINED PER TABLE 402.2. ALL CONCRETE SHALL BE PROPORTIONED, MIXED, HANDLED, SAMPLED, TESTED, AND PLACED IN ACCORDANCE WITH ACI STANDARDS. ALL SAMPLES FOR PUMPING SHALL BE TAKEN FROM THE EXIT END OF THE PUMP.
- ALLOWABLE SOIL BEARING PRESSURE ASSUMED TO BE 2000 PSF. THE CONTRACTOR MUST CONTACT A GEOTECHNICAL ENGINEER AND THE STRUCTURAL ENGINEER IF UNSATISFACTORY SUBSURFACE CONDITIONS ARE ENCOUNTERED. THE SURFACE AREA ADJACENT TO THE FOUNDATION WALL SHALL BE PROVIDED WITH ADEQUATE DRAINAGE, AND SHALL BE GRADED SO AS TO DRAIN SURFACE WATER AWAY FROM FOUNDATION WALLS.
- ALL FRAMING LUMBER SHALL BE SPF #2 (F_b = 875 PSI) UNLESS NOTED OTHERWISE (UNO). ALL TREATED LUMBER SHALL BE SYP #2 (F_b = 915 PSI). PLATE MATERIAL MAY BE SPF #3 OR SYP #3 (F_{c(perp)} = 425 PSI - MIN).
- ALL WOODEN BEAMS AND HEADERS SHALL HAVE THE FOLLOWING END SUPPORTS: (1) 2x4 STUD COLUMN FOR 4'-0" MAX. BEAM SPAN (UNO), (2) 2x4 STUDS FOR BEAM SPAN GREATER THAN 4'-0" (UNO).
- L.V.L. SHALL BE LAMINATED VENEER LUMBER: F_b=2400 PSI, F_v=285 PSI, E=1.9x10⁶ PSI. P.S.L. SHALL BE PARALLEL STRAND LUMBER: F_b=2900 PSI, F_v=290 PSI, E=2.0x10⁶ PSI. L.S.L. SHALL BE LAMINATED STRAND LUMBER: F_b=2250 PSI, F_v=400 PSI, E=1.55x10⁶ PSI. INSTALL ALL CONNECTIONS PER MANUFACTURERS INSTRUCTIONS.
- ALL ROOF TRUSS AND I-JOIST LAYOUTS SHALL BE PREPARED IN ACCORDANCE WITH ANY SEALED STRUCTURAL DRAWINGS. TRUSSES AND I-JOISTS SHALL BE INSTALLED ACCORDING TO THE MANUFACTURE'S SPECIFICATIONS. ANY CHANGE IN TRUSS OR I-JOIST LAYOUT SHALL BE COORDINATED WITH DESIGNER OR ENGINEER.
- ALL STRUCTURAL STEEL SHALL BE ASTM A-36. STEEL BEAMS SHALL BE SUPPORTED AT EACH END WITH A MINIMUM BEARING LENGTH OF 3 1/2" INCHES AND FULL FLANGE WIDTH. PROVIDE SOLID BEARING FROM BEAM SUPPORT TO FOUNDATION. BEAMS SHALL BE ATTACHED TO EACH SUPPORT WITH TWO LAG SCREWS (1/2" DIAMETER x 4" LONG). LATERAL SUPPORT IS CONSIDERED ADEQUATE PROVIDED THE JOIST ARE TOE NAILED TO THE SOLE PLATE, AND SOLE PLATE IS NAILED OR BOLTED TO THE BEAM FLANGE @ 48" O.C. . ALL STEEL TUBING SHALL BE ASTM A500.
- REBAR SHALL BE DEFORMED STEEL, ASTM#65, GRADE 60.
- FLITCH BEAMS SHALL BE BOLTED TOGETHER USING (2) ROWS OF 1/2" DIAMETER BOLTS (ASTM A307) WITH WASHERS PLACED UNDER THE THREADED END OF BOLT. BOLTS SHALL BE SPACED AT 24" O.C. (MAX), AND STAGGERED AT THE TOP AND BOTTOM OF BEAM (2" EDGE DISTANCE), WITH 2 BOLTS LOCATED AT 6" FROM EACH END.
- BRICK LINTELS SHALL BE 3 1/2"x3 1/2"x1/4" STEEL ANGLE FOR UP TO 4'-0" SPAN AND 4"x4"x5/16" STEEL ANGLE WITH 6" LEG VERTICAL FOR SPANS UP TO 9'-0" (UNO).
- THE POSITIVE AND NEGATIVE DESIGN PRESSURE FOR DOORS AND WINDOWS FOR A MEAN ROOF HEIGHT OF 35 FEET OR LESS SHALL BE 25 PSF.
- THE POSITIVE AND NEGATIVE DESIGN PRESSURES REQUIRED FOR ANY ROOF OR WALL CLADDING APPLICATION NOT SPECIFICALLY ADDRESSED IN THE NORTH CAROLINA STATE RESIDENTIAL CODE - 2018 EDITION SHALL BE AS FOLLOWS:

ROOF:
 45.4 PSF - 2.25:12 PITCH OR LESS
 34.8 PSF - 2.25:12 TO 1:12 PITCH
 21 PSF - 1:12 TO 12:12 PITCH

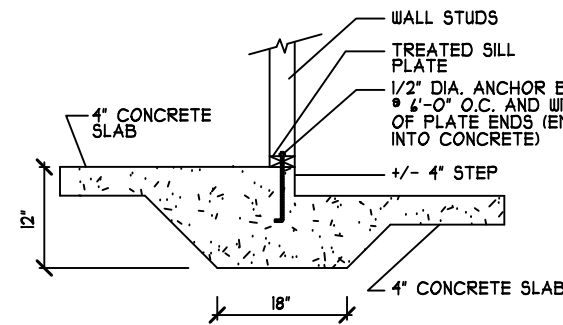
WALLS:
 24.1 PSF - WALLS

HEADER/BEAM & COLUMN NOTES

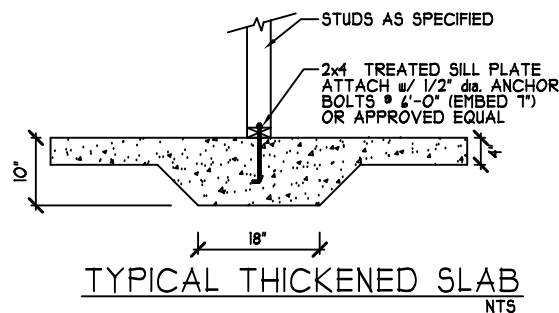
- ALL EXTERIOR AND LOAD BEARING HEADERS SHALL BE MIN. (2) 2x10 (4" WALL) OR (3) 2x10 (6" WALL) WITH (1) SUPPORT STUD, UNLESS NOTED OTHERWISE.
- THE NUMBER SHOWN AT BEAM AND HEADER SUPPORTS INDICATES THE NUMBER OF SUPPORT STUDS REQUIRED IN STUD POCKET OR COLUMN. THE NUMBER OF KING STUDS AT EACH END OF HEADERS IN EXTERIOR WALLS SHALL BE ACCORDING TO ITEM "d" IN TABLE R602.3(5) OR AS BELOW:
 - UP TO 4' SPAN: (1) KING STUD
 - OVER 4' UP TO 8' SPAN: (2) KING STUDS
 - OVER 8' UP TO 11' SPAN: (3) KING STUDS
 - OVER 11' SPAN: (4) KING STUDS



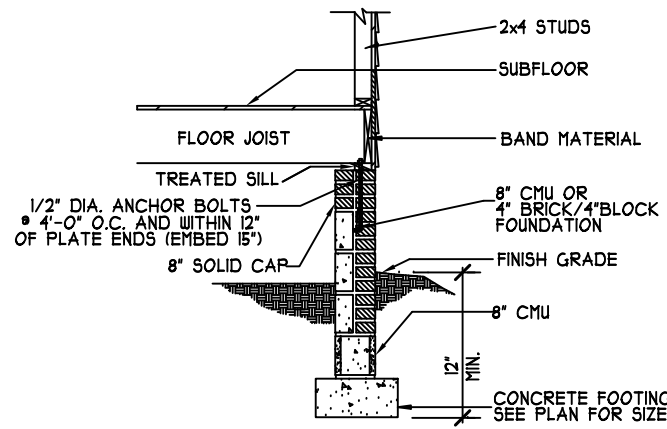
SLAB FND. W/ STEM WALL
NTS



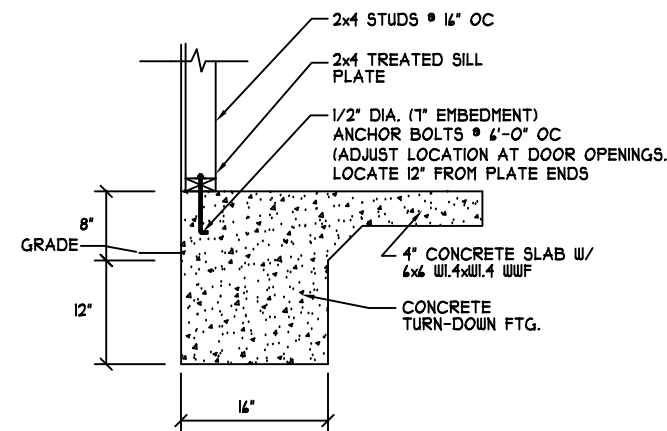
TYPICAL THICKENED SLAB
NTS



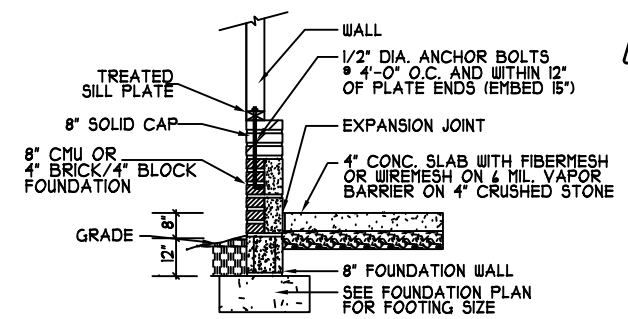
TYPICAL THICKENED SLAB
NTS



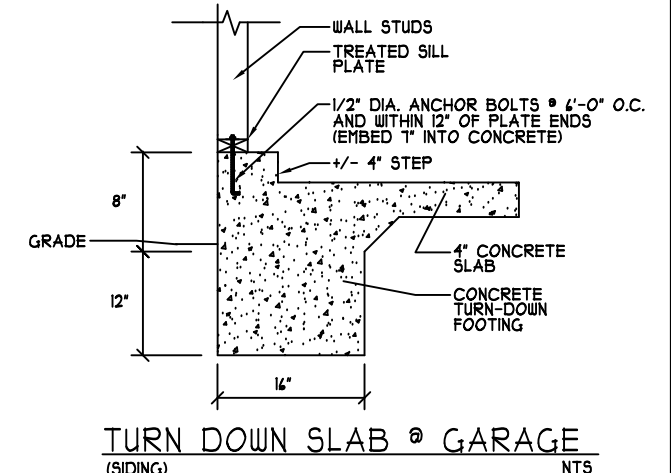
CRAWL SECTION
4" BRICK/4" BLOCK



TURN DOWN SLAB FOOTING
NTS



GARAGE SLAB
NTS



TURN DOWN SLAB @ GARAGE (SIDING)
NTS

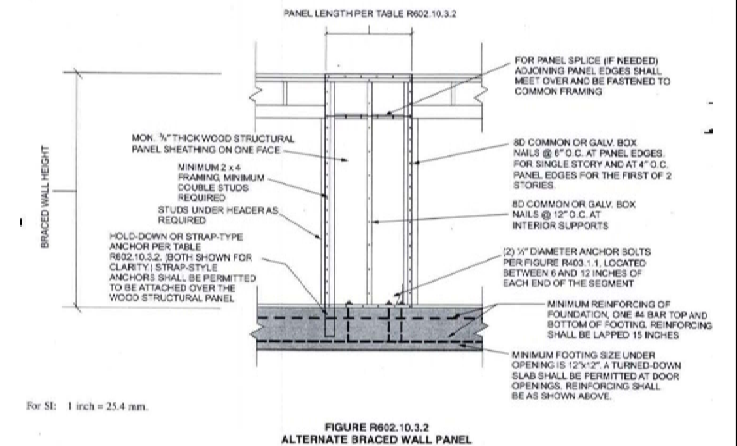


Fig. S1: 1 inch = 25.4 mm.

FIGURE R602.10.3.2
ALTERNATE BRACED WALL PANEL

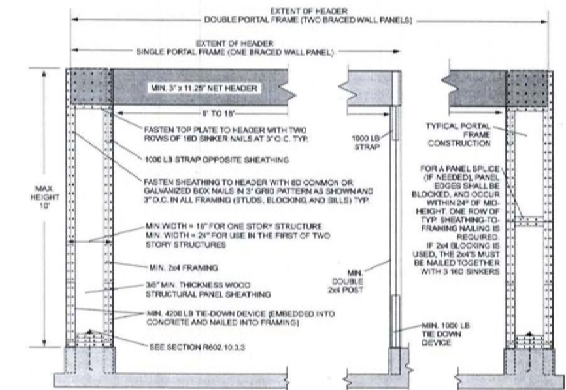


Fig. S1: 1 inch = 25.4 mm, 1 foot = 304.8 mm, 1 pound force = 4.448 N.

FIGURE R602.10.3.3
METHOD PFH: PORTAL FRAME WITH HOLD-DOWNS

DETAIL SHEET
130 MPH
WIND ZONE

NOT ALL DETAILS MAY
APPLY TO THIS PLAN

HEATHER HALL
165 HEATHERSTONE CT
BENSON NC 27504
(919) 207-1403

H SQUARED
HOME
DESIGN, INC.

ANY DEVIATION OF THE SPECIFIED REQUIREMENTS SHALL BE AT THE CONTRACTOR'S RISK AND UNDER THE CONTRACTOR'S LIABILITY. THIS PLAN HAS BEEN DRAWN IN ACCORDANCE WITH THE NORTH CAROLINA STATE RESIDENTIAL BUILDING CODES 2018 EDITION.

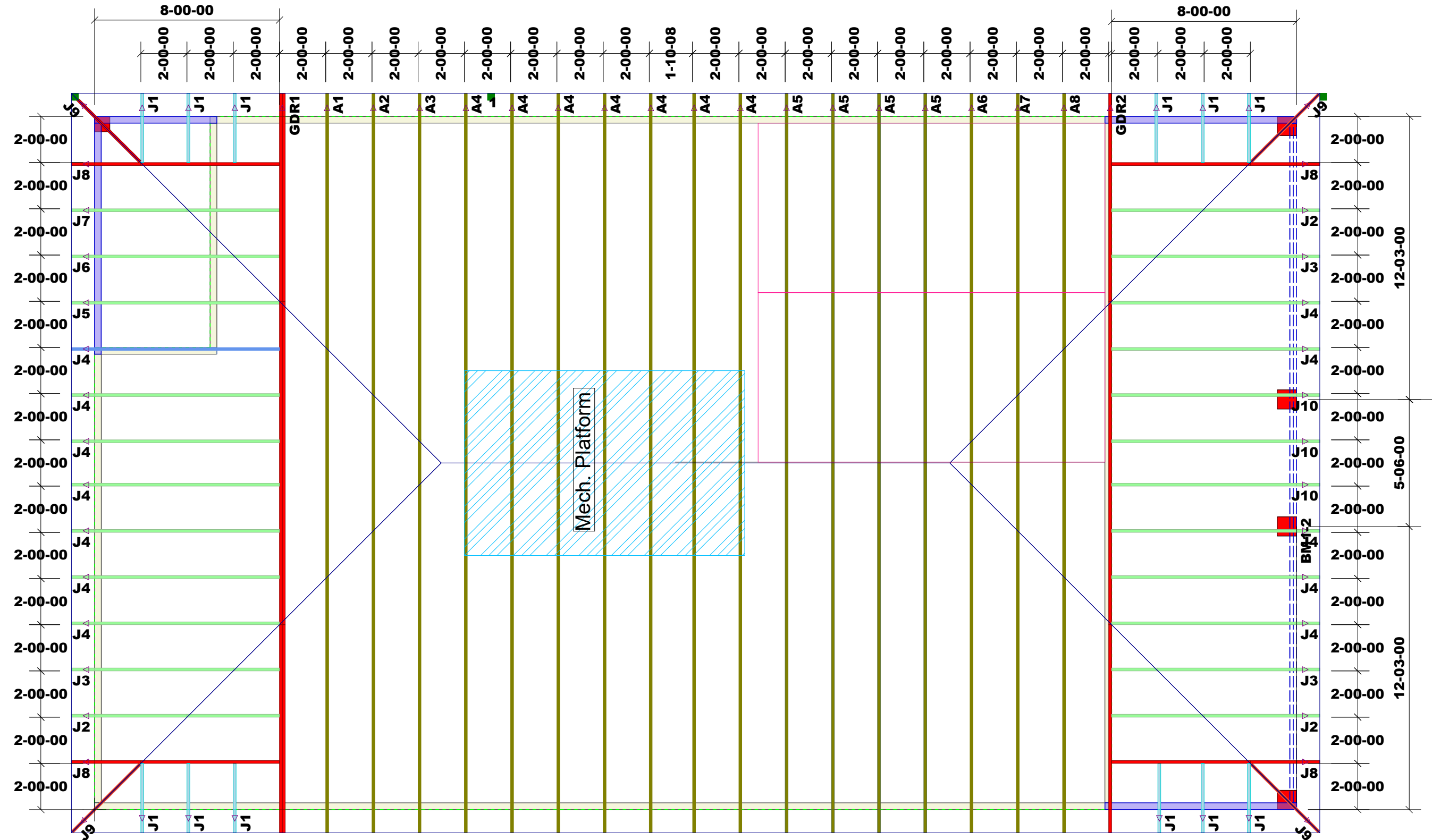
DATE:

FILE:

THIS LAYOUT IS INTENDED FOR THE PURPOSE OF TRUSS LOCATION AND PLACEMENT ONLY. REFER TO THE BUILDING PLANS FOR ACTUAL BUILDING CONSTRUCTION.



DEDICATED TO QUALITY AND EXCELLENCE
200 EMMETT ROAD
DUNN, NORTH CAROLINA 28334
PHONE: 910-892-8400



PROJECT:	1270 Charleston Plan
CUSTOMER:	2307-84 Fayetteville
MODEL:	1270 Charleston Dunn
QUOTE #:	26388
PRINT DATE:	3/25/2021
DRAWN BY:	Benjamin Aydlett
SCALE:	N.T.S

TOP LIVE LOAD:	20.0 lb/ft ²
TOP DEAD LOAD:	10.0 lb/ft ²
BOTTOM DEAD LOAD:	10.0 lb/ft ²
WIND SPEED:	130 mph

GENERAL NOTES:
 - DO NOT CUT OR MODIFY TRUSSES
 - TRUSSES ARE SPACED 24" ON CENTER UNLESS OTHERWISE NOTED
 - REFER TO THE INDIVIDUAL TRUSS DESIGN DRAWINGS FOR THE LOCATION OF LATERAL BRACING AND MULTI-PLY CONNECTION REQUIREMENTS.
 - PER ANSI TPI 1-2002 THE TRUSS ENGINEER IS RESPONSIBLE FOR TRUSS TO TRUSS CONNECTIONS AND TRUSS PLY TO PLY CONNECTIONS. THIS TRUSS PLACEMENT PLAN RECOMMENDS TRUSSES TO BEARING CONNECTIONS AND TRUSSES TO BEAM CONNECTIONS WHICH SHALL BE REVIEWED BY THE BUILDING DESIGNER. IT IS THE RESPONSIBILITY OF THE BUILDING DESIGNER TO RESOLVE ALL ROOF FORCES ADEQUATELY TO THE FOUNDATION.

Truss Connector Total List		
Manuf	Product	Qty
Simpson	LUS24	28

Products						
PlotID	Length	Product	Plies	Net Qty	Fab Type	
BM1-2	30-00-00	1-3/4" x 9-1/4" VERSA-LAM® 2.0 3100 SP	2	2	MFD	

1st Level Roof Area	2nd Level Roof Area
1931.96	0