



**DESIGN LOADS**

	LIVE LOAD (PSF)	DEAD LOAD (PSF)	DEFLECTION	
			LL	TL
FLOOR (primary)	40	10	L/360	L/240
FLOOR (secondary)	40	10	L/360	L/240
ATTIC (no storage)	20	10	L/240	L/180
ATTIC (no access)	10	5	L/240	L/180
EXTERNAL BALCONY	40	10	L/360	L/240
ROOF	20	10	L/240	L/180
ROOF TRUSS	20	20	L/240	L/180
WIND LOAD	BASED ON 120 MPH (EXPOSURE B)			
SEISMIC	BASED ON SEISMIC ZONES A, B & C			

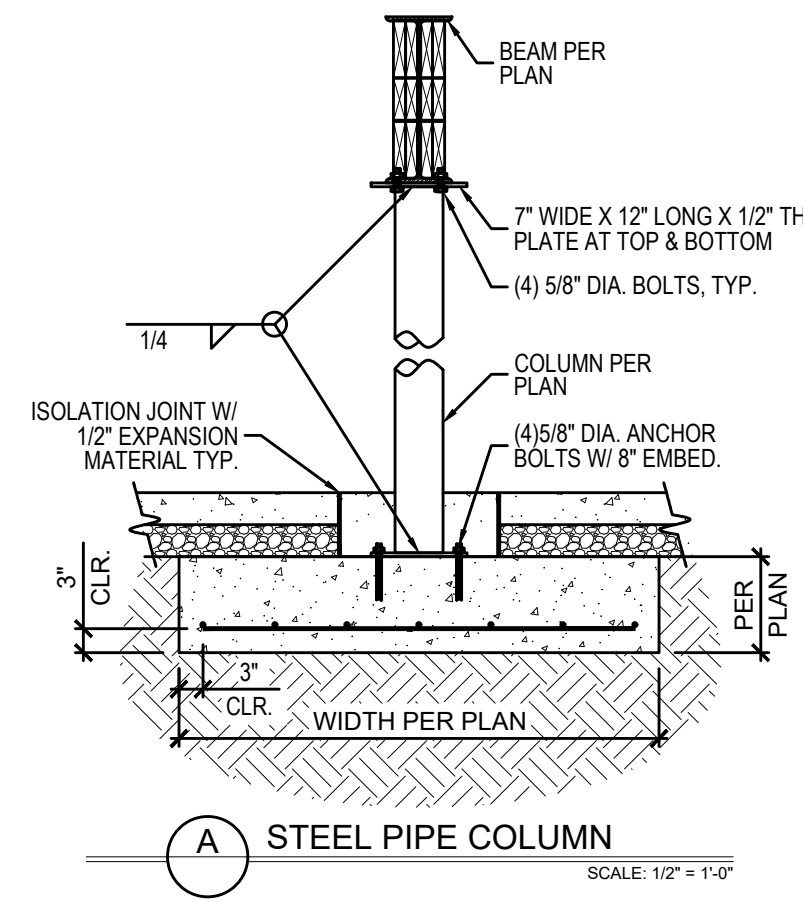
**STRUCTURAL NOTES**

- ALL CONSTRUCTION SHALL CONFORM TO THE LATEST REQUIREMENTS OF "NORTH CAROLINA STATE 2018 RESIDENTIAL BUILDING CODE", IN ADDITION TO ALL LOCAL CODES AND REGULATIONS.
- IT IS THE CONTRACTOR'S RESPONSIBILITY TO VERIFY ALL DIMENSIONS AND SQUARE FOOTAGE PRIOR TO CONSTRUCTION. TYNDALL ENGINEERING & DESIGN, P.A. IS NOT RESPONSIBLE FOR DIMENSIONS AND SQUARE FOOTAGE ERRORS ONCE CONSTRUCTION BEGINS.
- ALL LUMBER SHALL BE SYP #2 (UNO)
- ALL LVL LUMBER IS TO BE 1.5E (F<sub>b</sub> = 2325 PSI) (I.E. LEVEL MICRO LAM)
- ALL LVL LUMBER IS TO BE 1.5E (F<sub>b</sub> = 2325 PSI)
- ALL LOAD BEARING EXTERIOR WINDOW HEADERS WITH MAXIMUM SPAN OF 5'-4" SHOULD BE A (2) 2x10 w/ (1) 2x4 KING STUD AND (1) 2x4 JACK STUD NAILED TOGETHER w/ (2) 10d @ 8" O.C. PROVIDED THAT THE TOP OF THE WINDOW HEIGHT IS 6'-0" MINIMUM BOTTOM OF THE WINDOW HEIGHT IS 1'-6", OTHERWISE REFER TO TABLE R502.5(1).
- ALL INTERIOR LOAD BEARING HEADERS TO BE (2) 2x10 (U.N.O.) REFER TO TABLE R502.5(1) FOR JACK STUD REQUIREMENTS FOR HEADER SPANS FOR INTERIOR AND EXTERIOR LOAD CONDITIONS (UNO)
- REFER TO 2018 NC BUILDING CODE SECTION R602 FOR CONSTRUCTION OF ALL WALLS OVER 10'-0" IN HEIGHT.
- ALL STRUCTURAL STEEL SHALL BE ASTM A992 GRADE 50 F<sub>y</sub> = 50 KSI MIN. (UNO)
- ALL EXTERIOR LUMBER TO BE #2 SYP PT
- ALL CONCRETE, f<sub>c</sub> = 3000 PSI MIN.
- PRESUMPTIVE BEARING CAPACITY = 2000 PSF
- 1/2" ANCHOR BOLTS SPACED AT MAXIMUM OF 6'-0" O.C. AND NOT MORE THAN 12" FROM THE CORNER. THERE SHALL BE A MINIMUM OF (2) BOLTS PER PLATE SECTION. ANCHOR BOLTS SHALL BE SPACED AT 3'-0" O.C. FOR BASEMENTS. ANCHOR BOLT SHALL EXTEND 7" INTO CONCRETE OR MASONRY.
- PSL COLUMNS DESIGNED WITH MAX. HEIGHT OF 9'-0" (UNO)
- PROVIDE A MINIMUM OF 500# UPLIFT & LATERAL CONNECTION AT TOP AND BOTTOM OF PIERON COLUMNS. (UNO)
- PROVIDE CONTINUOUS SHEATHING PER SECTION 602.10.4 OF THE 2018 IRC. MAXIMUM MASONRY PIER HEIGHT SHALL NOT EXCEED FOUR TIMES ITS LEAST HORIZONTAL DIMENSION.
- UPLIFT LOADS GREATER THAN 500# SHALL BE CONTINUOUSLY ANCHORED TO THE FOUNDATION.
- METAL HANGERS SHALL BE SIMPSON OR APPROVED EQUAL.

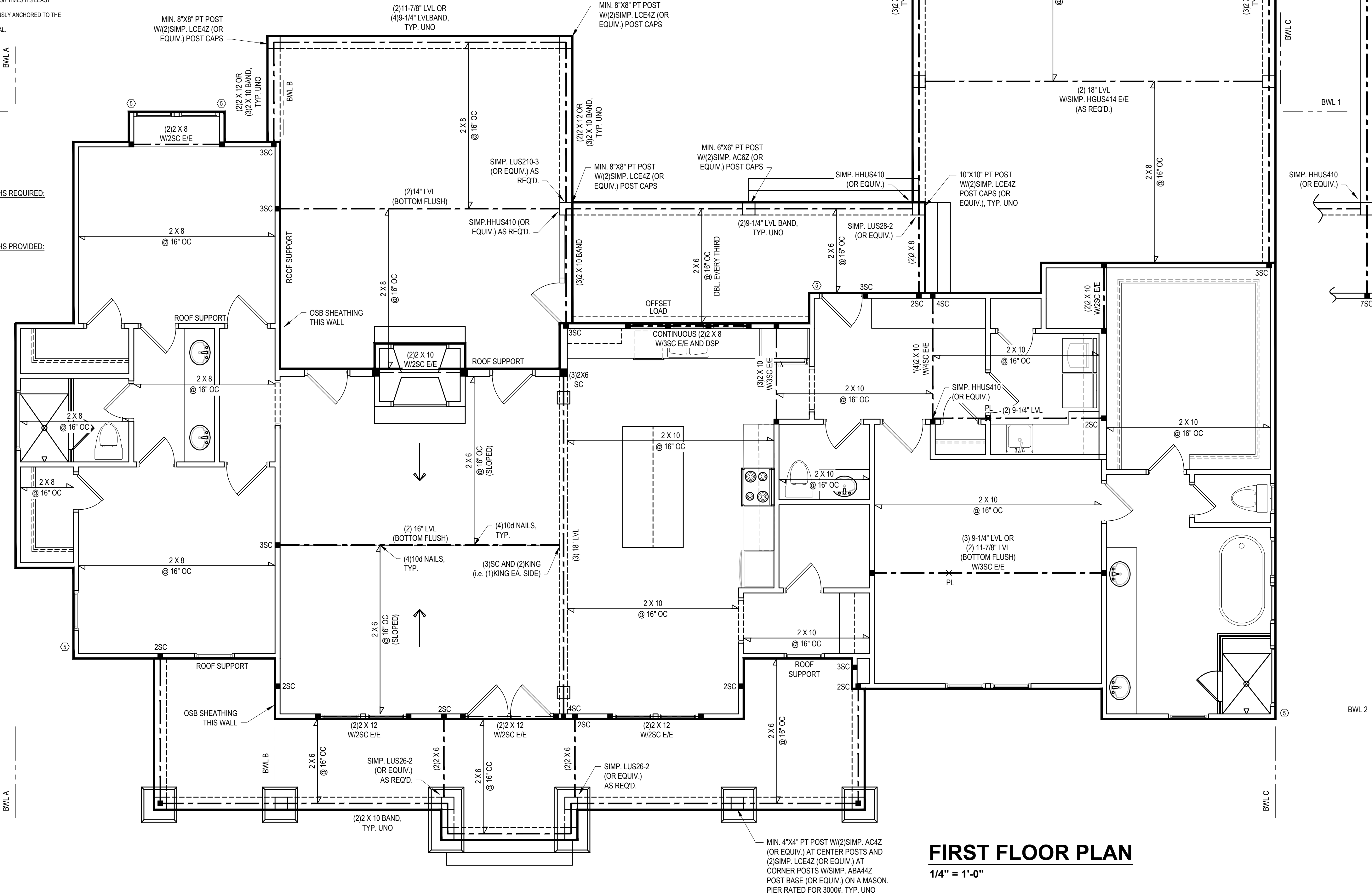
**STRUCTURAL SHEATHING NOTES**

- DESIGNED FOR SEISMIC ZONE A-C AND WIND SPEEDS OF 120 MPH OR LESS
- WALLS SHALL BE BRACED IN ACCORDANCE WITH SECTION R602.10 OF THE 2018 NRC.
- BRACING REQUIREMENTS SHALL BE PER TABLE R602.10.3. REFER TO SECTION R602.10.4 FOR LOAD PATH DETAILS INCLUDING CONNECTIONS & SUPPORT OF BRACED WALL PANELS.
- REFERENCE FIGURE R602.10.4.3 OF THE 2018 NRC.
- INTERIOR BRACED WALL PANELS (BWP) INDICATED SHALL BE SHEATHED IN ACCORDANCE WITH THE GB METHOD OR WSP METHOD AS PRESCRIBED IN SECTION R602.10.1 (UNO)
- 12" GYPSUM BOARD (GB) MINIMUM LENGTH OF 8'-0" (ISOLATED PANELS) OR 4'-0" (CONTINUOUS SHEATHING). SECURE w/ 5d COOLER NAILS (OR EQUAL, PER TABLE R602.10.5) SPACED @ 7" O.C. AT PANEL EDGES, INCLUDING TOP AND BOTTOM PLATES & 7" O.C. AT INTERMEDIATE SUPPORTS
- 3/8" WOOD STRUCTURAL PANEL (WSP) SECURE w/ 6d COMMON NAILS SPACED AT 8" O.C. AT PANEL EDGES AND 12" O.C. AT INTERMEDIATE SUPPORTS
- EXTERIOR BRACED WALL PANELS (BWP) SHALL BE CONSTRUCTED IN ACCORDANCE WITH CS-WSP METHOD AS PRESCRIBED IN SECTION R602.10.3 (UNO)
- ALL SHEATHABLE SURFACES OF EXTERIOR WALLS (INCLUDING AREAS ABOVE AND BELOW OPENINGS AND GABLE END WALLS) SHALL BE CONTINUOUSLY SHEATHED WITH WOOD STRUCTURAL PANEL (WSP) SHEATHING WITH A MINIMUM THICKNESS OF 3/8". SHEATHING SHALL BE SECURED WITH MINIMUM 6d COMMON NAILS SPACED AT 8" O.C. AT PANEL EDGES AND SPACED AT 12" O.C. AT INTERMEDIATE SUPPORTS.
- MINIMUM BRACED WALL PANEL LENGTHS WITH CS-WSP METHOD SHALL BE AS FOLLOWS:
  - 24" ADJACENT TO OPENINGS NOT MORE THAN 67% OF WALL HEIGHT
  - 30" ADJACENT TO OPENINGS GREATER THAN 67% AND LESS THAN 85% OF WALL HEIGHT
  - 48" FOR OPENINGS GREATER THAN 85% OF WALL HEIGHT
- SHEATH INTERIOR & EXTERIOR
- FOR CS-WSP METHOD, A MINIMUM 2x4 BRACED WALL PANEL CORNER RETURN SHALL BE PROVIDED AT BOTH ENDS OF A BRACED WALL LINE IN ACCORDANCE WITH FIGURE R602.10.3(4), IN LIEU OF A CORNER RETURN. EITHER A MIN. 4x8 BRACED WALL PANEL SHALL BE PROVIDED AT THE CORNER OR A HOLD-DOWN DEVICE WITH A MINIMUM UPLIFT DESIGN VALUE OF 800# SHALL BE FASTENED TO THE EDGE OF THE BRACED WALL PANEL CLOSEST TO THE CORNER AND TO THE FOUNDATION OR FRAMING BELOW.
- MINIMUM 800# HOLD-DOWN DEVICE

\* NOTE: SECURE 4-PLY W/ 1/2" THRU-BOLTS @ 24" O.C.

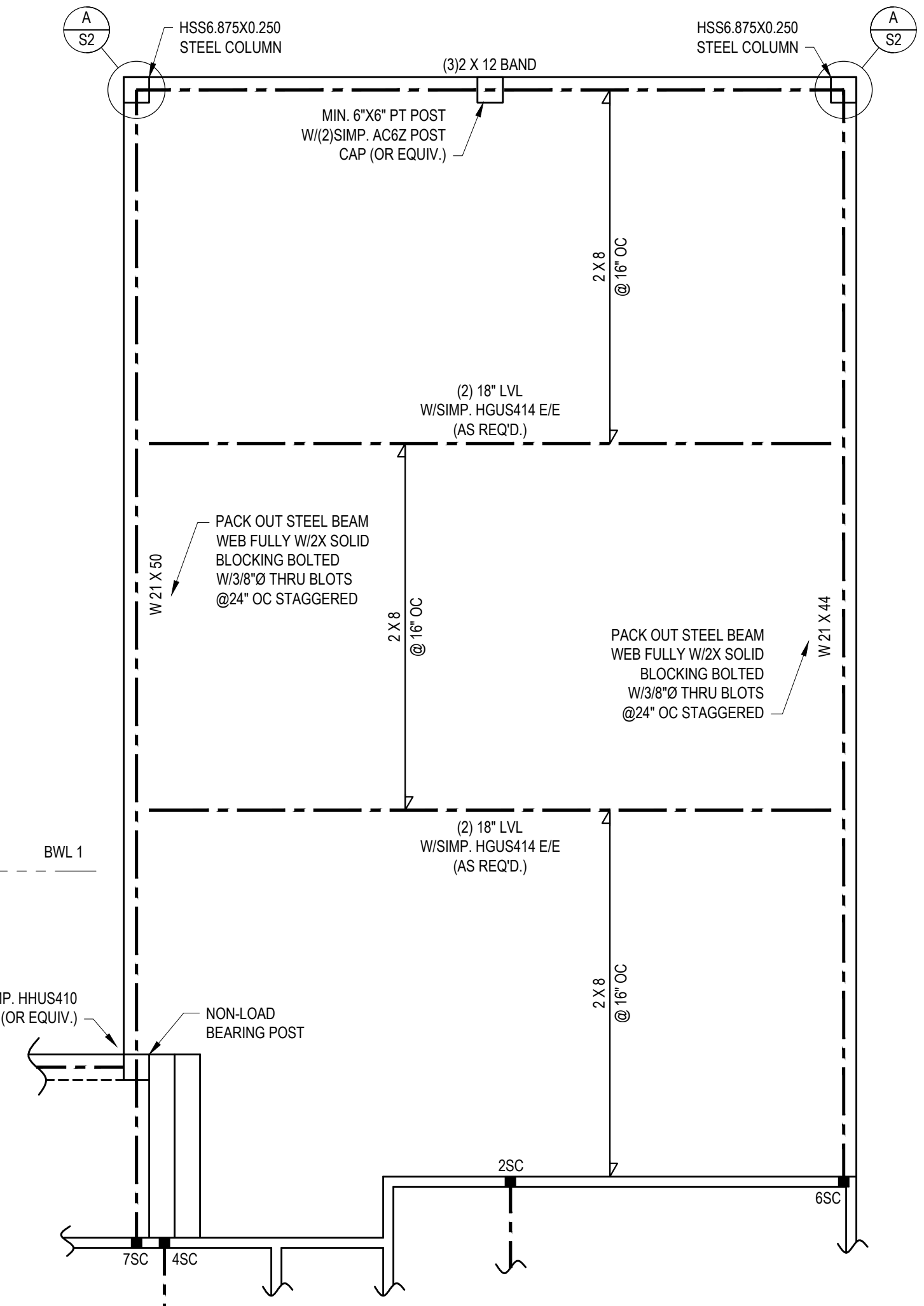


**STEEL PIPE COLUMN**  
SCALE: 1/2" = 1'-0"



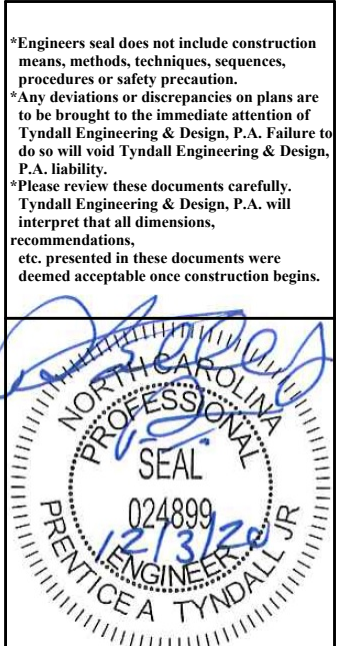
**BRACING PANEL LENGTHS REQUIRED:**  
BWL A = 2.9 FT  
BWL B = 12.6 FT  
BWL C = 9.7 FT  
BWL 1 = 6.3 FT  
BWL 2 = 6.3 FT

**BRACING PANEL LENGTHS PROVIDED:**  
BWL A = 26.2 FT CS-WSP  
BWL B = 19.0 FT CS-WSP  
BWL C = 14.5 FT CS-WSP  
BWL 1 = 43.3 FT CS-WSP  
BWL 2 = 50.7 FT CS-WSP



**OPTIONAL CARPORT FIRST FLOOR PLAN**  
1/4" = 1'-0"

**FIRST FLOOR PLAN**  
1/4" = 1'-0"



**TYNDALL ENGINEERING & DESIGN, P.A.**  
1107 W. STATE ST. SUITE 100  
RANDOLPH, NC 28134  
704.775.4444  
www.tyndallengineering.com

CLIENT: POPE BUILDERS  
PROJECT: CONWAY RESIDENCE

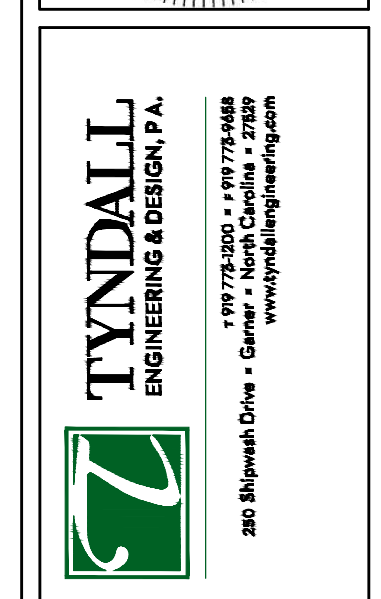
**1ST FLOOR HEADER  
2ND FLOOR FRAMING**

Project #: 2001-010525  
Date: 10/30/20  
Drawn/Design By: KFR  
DWG. Checked By: PAT  
Scale: SEE PLAN

REVISIONS		
No.	Date	Remarks

Sheet Number  
**S2**  
2 of 6

\*Engineers seal does not include construction means, methods, techniques, sequences, procedures or safety precautions.  
 Any deviation or discrepancy on plans are to be brought to the immediate attention of Tyn dall Engineering & Design, P.A. Failure to do so will void Tyn dall Engineering & Design, P.A. liability.  
 \*Please review these documents carefully. Tyn dall Engineering & Design, P.A. will interpret that all dimensions, recommendations, etc. presented in these documents were deemed acceptable once construction begins.



**TYNDALL**  
 ENGINEERING & DESIGN P.A.  
 280 Blinnwood Drive • Garner • North Carolina • 27529  
 919.775.2510 • 919.775.4444  
 www.tyndallengineering.com

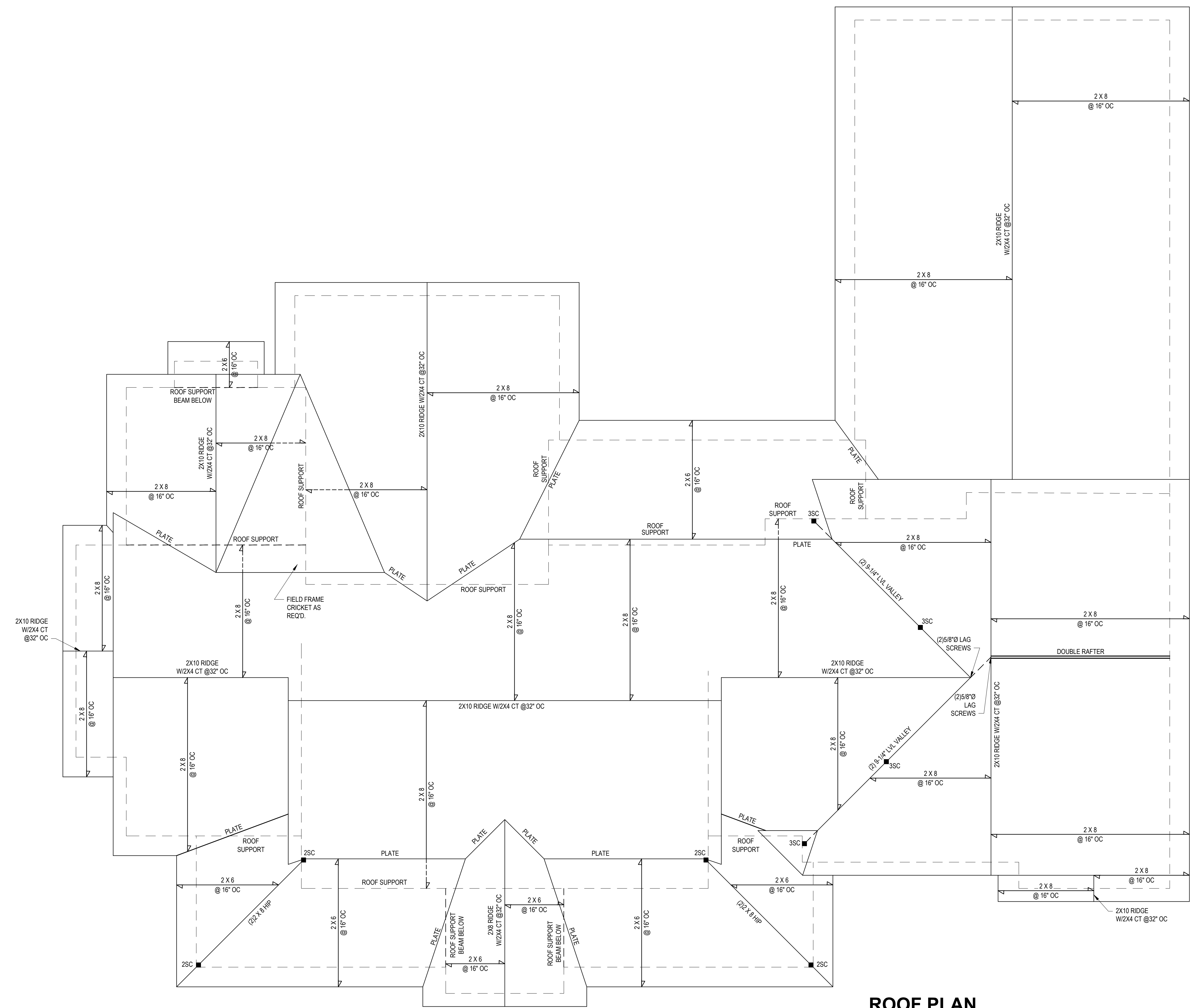
Client: **POPE BUILDERS**  
 Project: **CONWAY RESIDENCE**

# ROOF PLAN

Project #: 2001-010525  
 Date: 10/30/20  
 Drawn/Design By: KFR  
 DWG. Checked By: PAT  
 Scale: SEE PLAN

REVISIONS		
No.	Date	Remarks

Sheet Number  
**S3**  
 3 of 6



**ROOF PLAN**  
 1/4" = 1'-0"

FILENAME: Z:\RESIDENTIAL ENR\2020 STRUCTURAL PROJECTS\2001-010525 CONWAY RESIDENCE\2001-010525 CONWAY RESIDENCE.dwg PLOT DATE: 12/17/2020 8:09 AM

**STRUCTURAL NOTES**

- ALL CONSTRUCTION SHALL CONFORM TO THE LATEST REQUIREMENTS OF 'NORTH CAROLINA STATE 2018 RESIDENTIAL BUILDING CODE', IN ADDITION TO ALL LOCAL CODES AND REGULATIONS.
- DESIGN LOADS:
 

	LIVE LOAD (PSF)	DEAD LOAD (PSF)	DEFLECTION	
			LL	TL
ALL FLOORS	40	10	L/360	L/240
ATTIC (w/ walk-up stairs)	30	10	L/360	L/240
ATTIC (pull-down access)	20	10	L/240	L/180
ATTIC (no access)	10	5	L/240	L/180
EXTERNAL BALCONY	40	10	L/360	L/240
ROOF	20	10	L/240	L/180
ROOF TRUSS	20	20	L/240	L/180
WIND LOAD	BASED ON 120 MPH (EXPOSURE B)			
SEISMIC	SEISMIC ZONES A, B & C			
- MINIMUM ALLOWABLE SOIL BEARING PRESSURE = 2000 PSF
- CONCRETE SHALL HAVE A MINIMUM 28 DAY COMPRESSIVE STRENGTH OF 3000 PSI AND A MAXIMUM SLUMP OF FIVE INCHES UNLESS NOTED OTHERWISE. (U.N.C.)
- MAXIMUM DEPTH OF UNBALANCED FILL AGAINST FOUNDATION WALLS TO BE LESS THAN 4'-0" WITHOUT USING SUFFICIENT WALL BRACING. REFER TO SECTION R602.3 FOR BRACING LIMITATIONS BASED ON WALL HEIGHT, WALL THICKNESS, SOIL TYPE, AND UNBALANCED BACKFILL HEIGHT.
- ALL FRAMING LUMBER SHALL BE SYP #2 (F<sub>b</sub> = 800 PSI, BASED ON D/10) (U.N.)  
ALL FRAMING LUMBER EXPOSED TO THE ELEMENTS SHALL BE TREATED MATERIAL.  
ALL LV LUMBER TO BE 1.75" WIDE NOMINAL EACH SINGLE MEMBER AND F<sub>b</sub> = 2000 PSI, E = 1.9M PSI (U.N.O.)  
ALL LS LUMBER TO BE 3.5" WIDE NOMINAL EACH SINGLE MEMBER AND F<sub>b</sub> = 2325 PSI, E = 1.8M PSI (U.N.O.)  
ALL PSL LUMBER TO BE 3.5" WIDE NOMINAL EACH SINGLE MEMBER AND F<sub>b</sub> = 2400 PSI, E = 1.8M PSI (U.N.O.)
- ALL LOAD BEARING EXTERIOR HEADERS SHALL BE AT (2) 2x10 (U.N.O.) REFER TO TABLE R602.7(1) & (2) FOR JACK STUD REQUIREMENTS FOR HEADER SPANS FOR INTERIOR AND EXTERIOR LOAD CONDITIONS UNLESS SPECIFICALLY NOTED ON PLANS.
- ALL STRUCTURAL STEEL W-SHAPES (I-BEAMS) SHALL BE ASTM A992 GRADE 50.  
ALL STEEL ANGLES, PLATES, AND C-CHANNELS SHALL BE ASTM A36.  
ALL STEEL PIPE SHALL BE ASTM A53 GRADE B.
- STEEL BEAMS SHALL BE SUPPORTED AT EACH END WITH A MINIMUM BEARING LENGTH OF 3/4" AND FULL FLANGE WIDTH PROVIDES SOLID BEARING FROM BEAM SUPPORT TO FOUNDATION. BEAMS SHALL BE ATTACHED TO EACH SUPPORT WITH TWO (2) LAG SCREWS (1/2" x 4" LONG). LATERAL SUPPORT IS CONSIDERED ADEQUATE PROVIDED THE JOISTS ARE TOE NAILED TO THE SOLE PLATES, AND THE SOLE PLATES ARE NAILED OR BOLTED TO THE BEAM FLANGES @ 48" O.C.
- PROVIDE ANCHOR BOLT PLACEMENT PER SECTION 403.1.6: 1/2" ANCHOR BOLTS SPACED AT 6'-0" O.C. AND PLACED 12" FROM THE END OF EACH PLATE SECTION. ANCHOR BOLTS SHALL BE SPACED AT 3'-0" O.C. FOR BASEMENTS. ANCHOR BOLT SHALL EXTEND 7" INTO CONCRETE OR MASONRY. THE BOLTS SHALL BE LOCATED IN THE MIDDLE THIRD OF THE WIDTH OF THE PLATE. THERE SHALL BE A MINIMUM TWO ANCHOR BOLTS PER PLATE SECTION.
- FOUNDATION DRAINAGE-DAMP PROOFING OR WATERPROOFING PER SECTION 405 AND 406 OF NC BUILDING CODE.
- WALL AND ROOF CLADDING VALUES:  
WALL CLADDING SHALL BE DESIGNED FOR 28.0 POUNDS PER SQUARE FOOT (LBS/SQFT) OR GREATER POSITIVE AND NEGATIVE PRESSURE.  
ROOF VALUES BOTH POSITIVE AND NEGATIVE SHALL BE AS FOLLOWS:  
39.0 LBS/SQFT FOR ROOF PITCHES 0/12 TO 1/12  
36.0 LBS/SQFT FOR ROOF PITCHES 1/12 TO 6/12  
18.0 LBS/SQFT FOR ROOF PITCHES 6/12 TO 12/12  
\*MEAN ROOF HEIGHT 3/4" OR LESS
- FOR ROOF SLOPES FROM 2/12 THROUGH 4/12, BUILDER TO INSTALL 2 LAYERS OF 15# FELT PAPER.
- REFER TO SECTION R602.3 FOR FRAMING OF ALL WALLS OVER 10'-0" IN HEIGHT.
- PROVIDE CONTINUOUS SHEATHING PER SECTION 602.10.3 OF THE 2018 NRC.
- UPLIFT LOADS GREATER THAN 500# SHALL BE CONTINUOUSLY ANCHORED TO THE FOUNDATION.
- REFER TO TABLE N1102.1 FOR PRESCRIPTIVE BUILDING ENVELOPE THERMAL COMPONENT CRITERIA.
- PSL COLUMNS DESIGNED WITH MAXIMUM HEIGHT OF 9'-0" (U.N.O.)
- PROVIDE A MINIMUM OF 50# UPLIFT & LATERAL CONNECTION AT TOP AND BOTTOM OF PORCH COLUMNS. (U.N.O.)
- MAXIMUM MASONRY PER HEIGHT SHALL NOT EXCEED FOUR TIMES ITS LEAST HORIZONTAL DIMENSION.
- IT IS THE CONTRACTORS RESPONSIBILITY TO VERIFY ALL DIMENSIONS AND SQUARE FOOTAGE PRIOR TO CONSTRUCTION. TYNDALL ENGINEERING & DESIGN, PA IS NOT RESPONSIBLE FOR DIMENSION OR SQUARE FOOTAGE ERRORS ONCE CONSTRUCTION BEGINS.

**DEFINITIONS FOR COMMON ABBREVIATIONS**

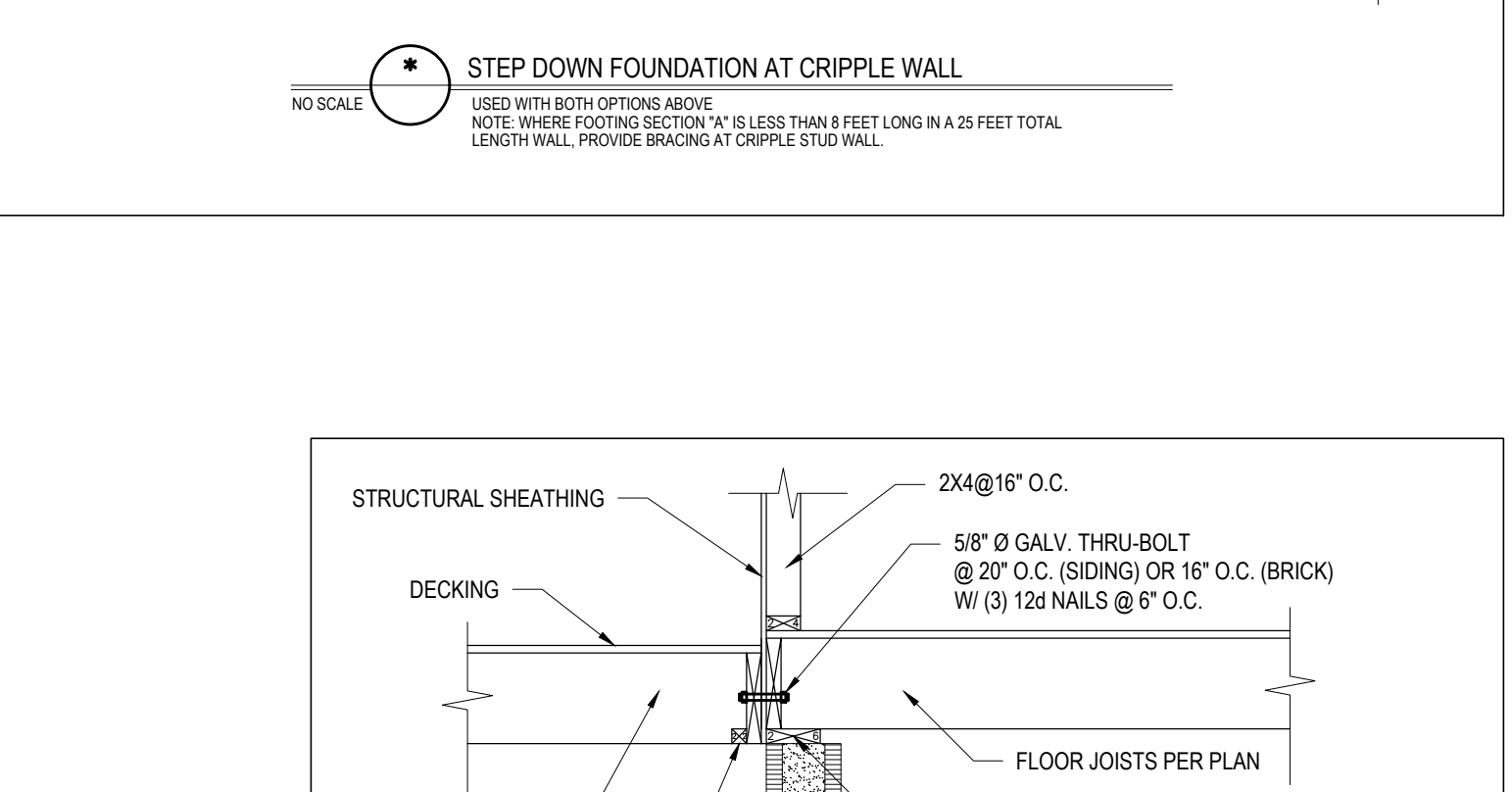
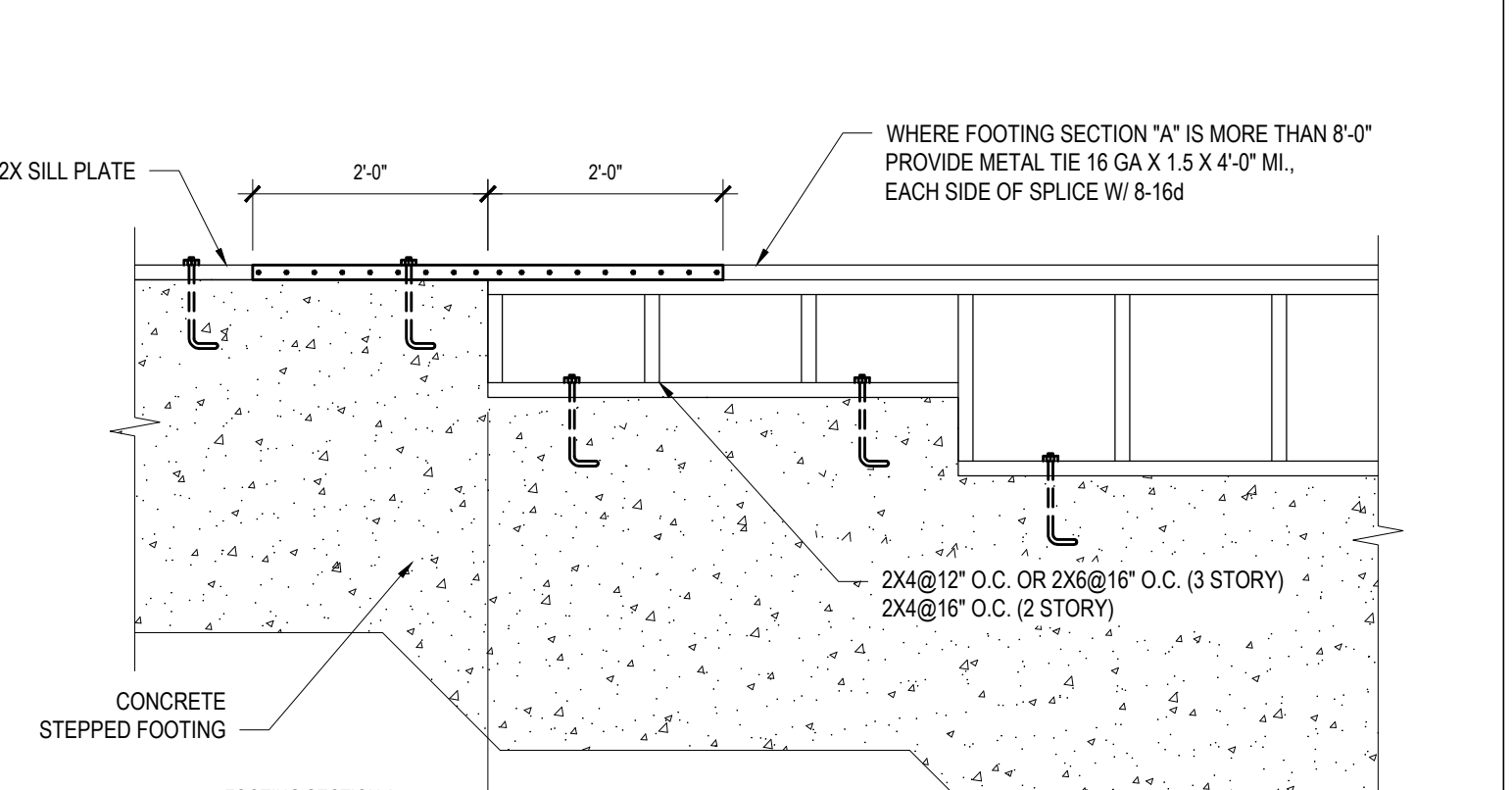
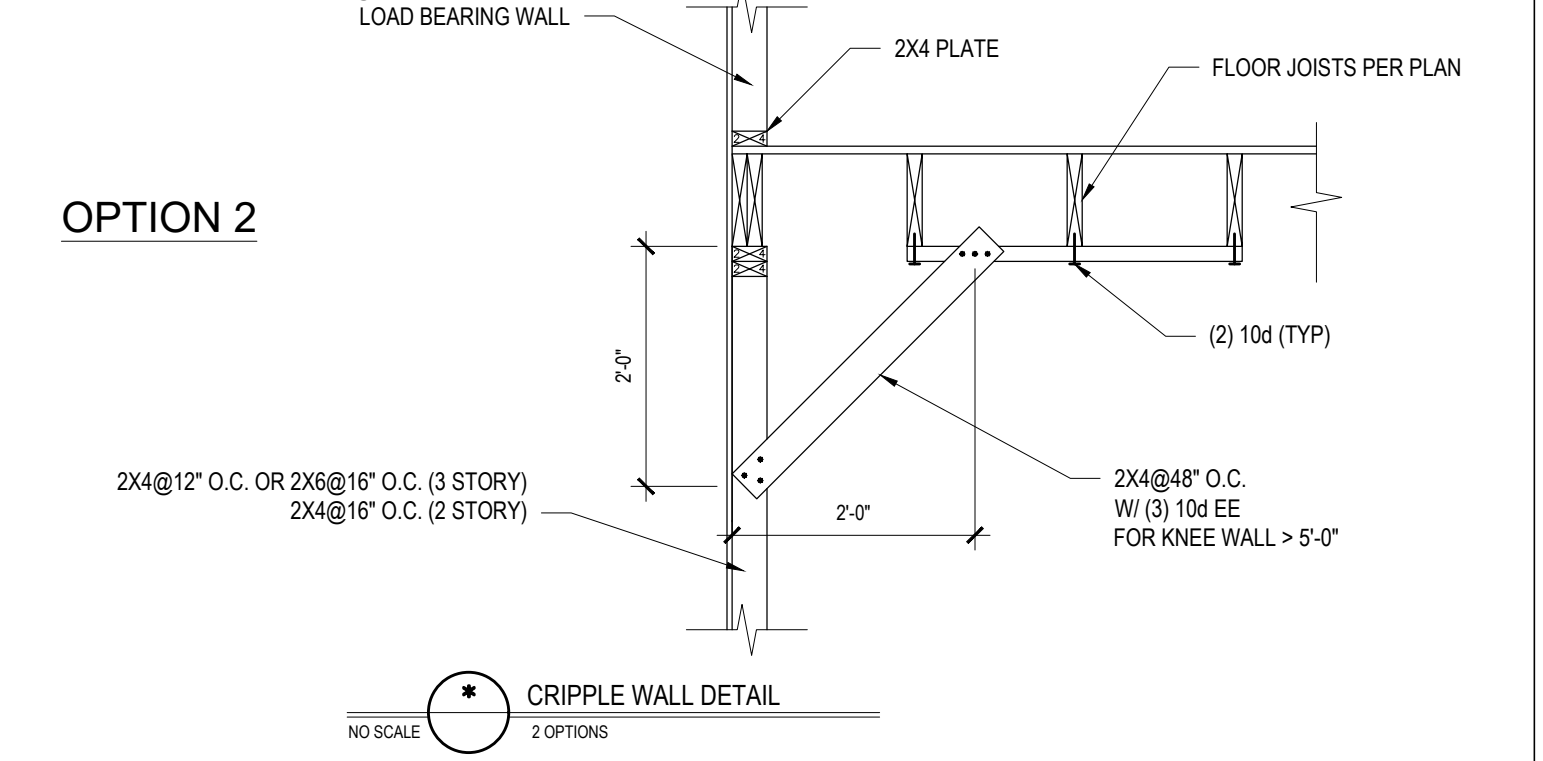
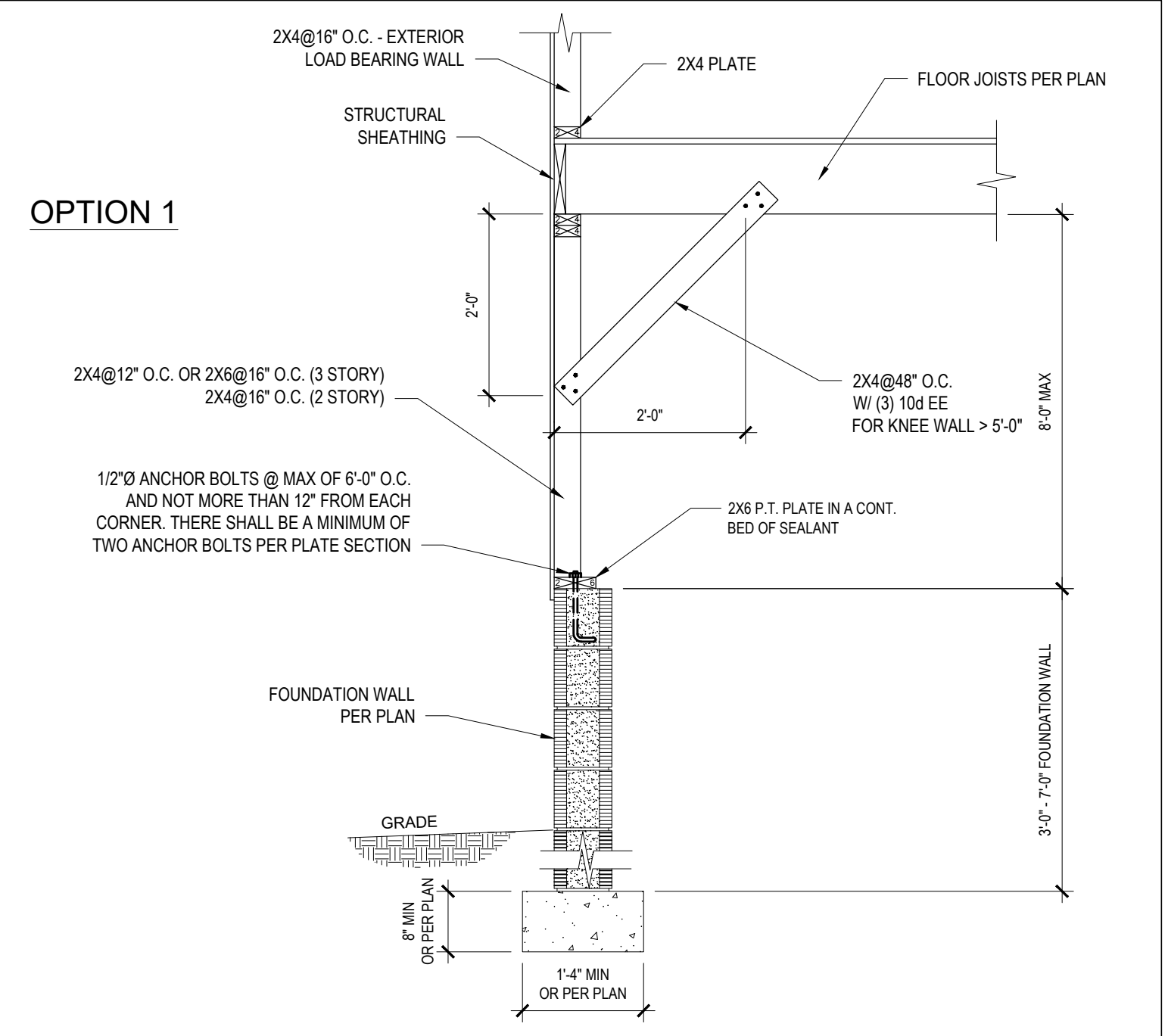
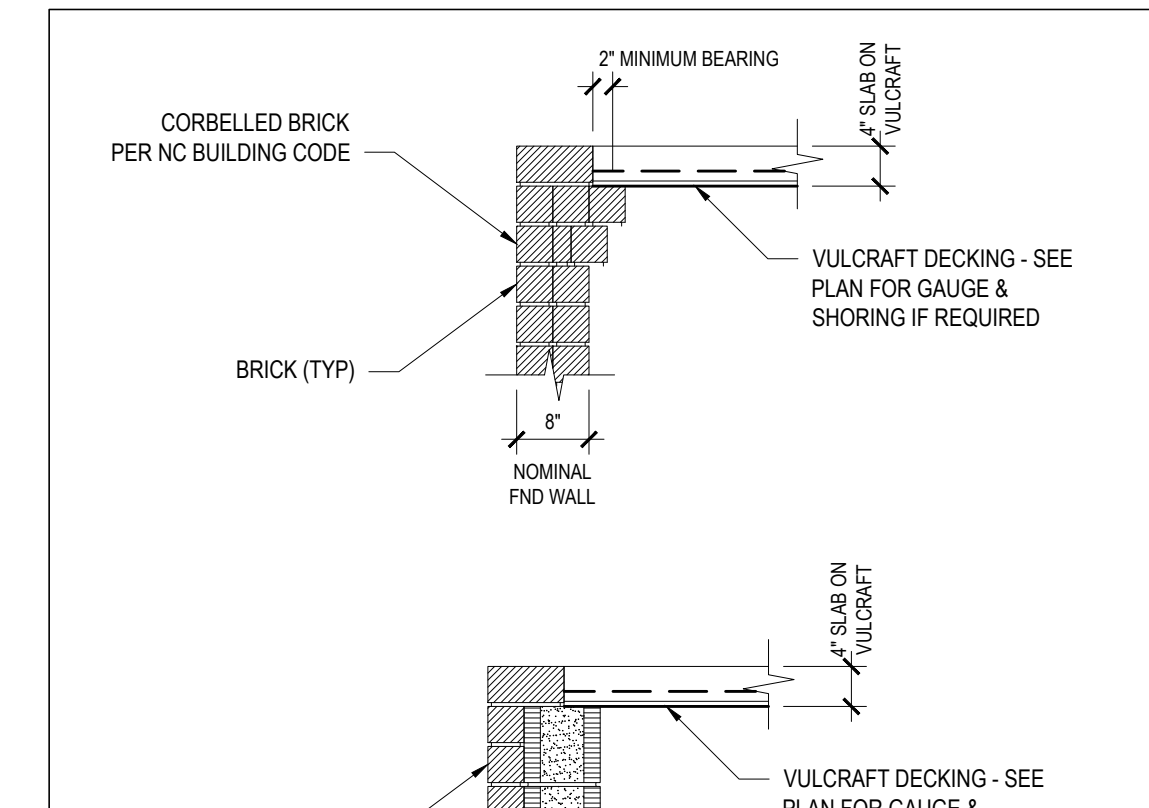
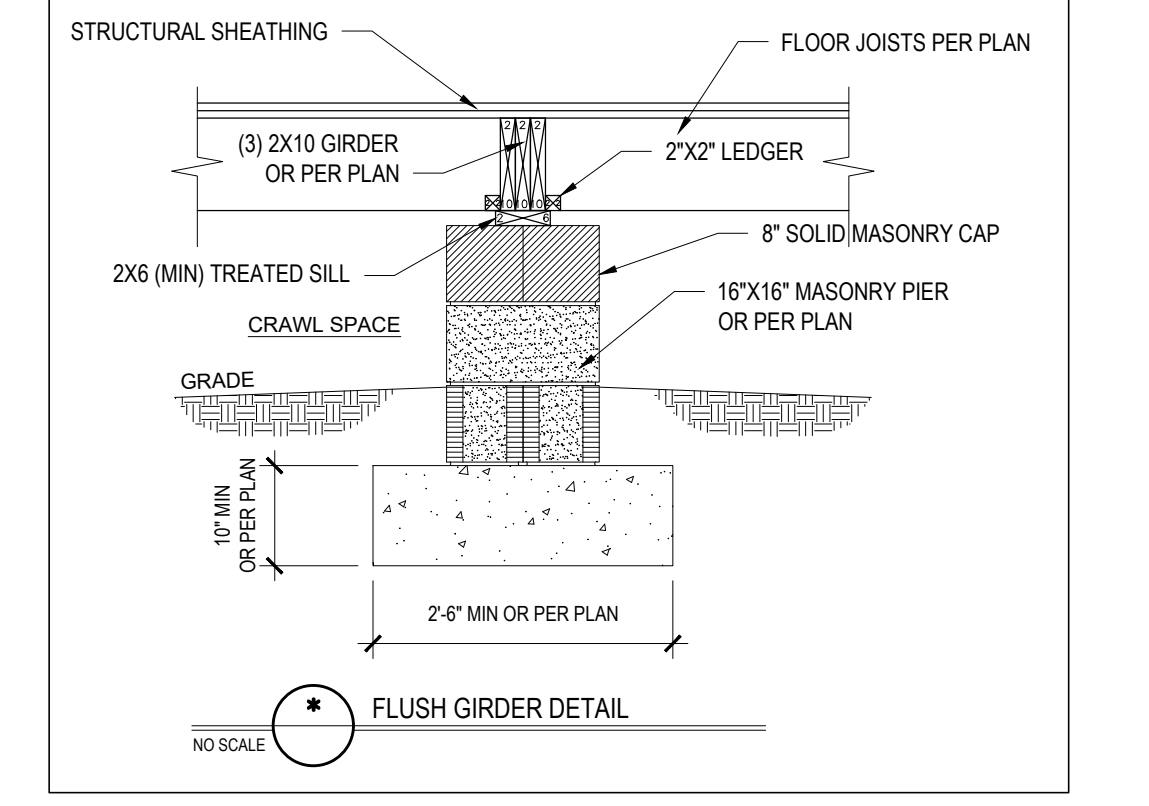
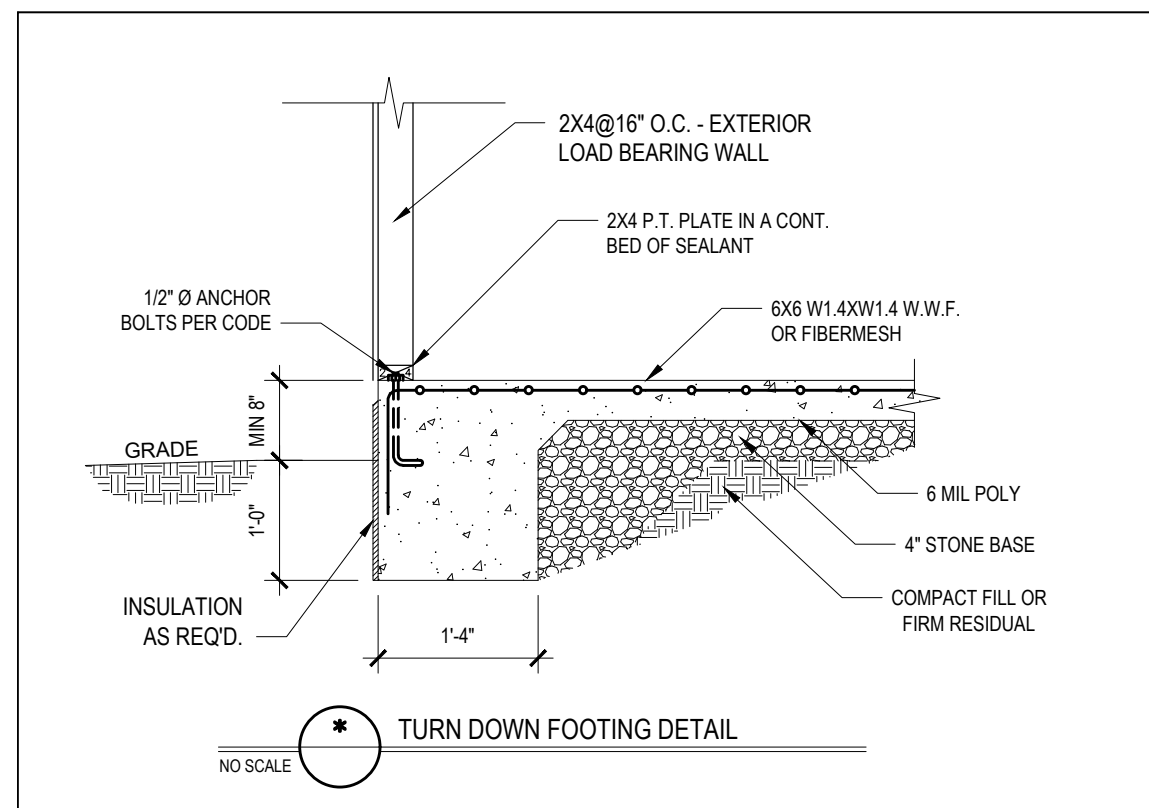
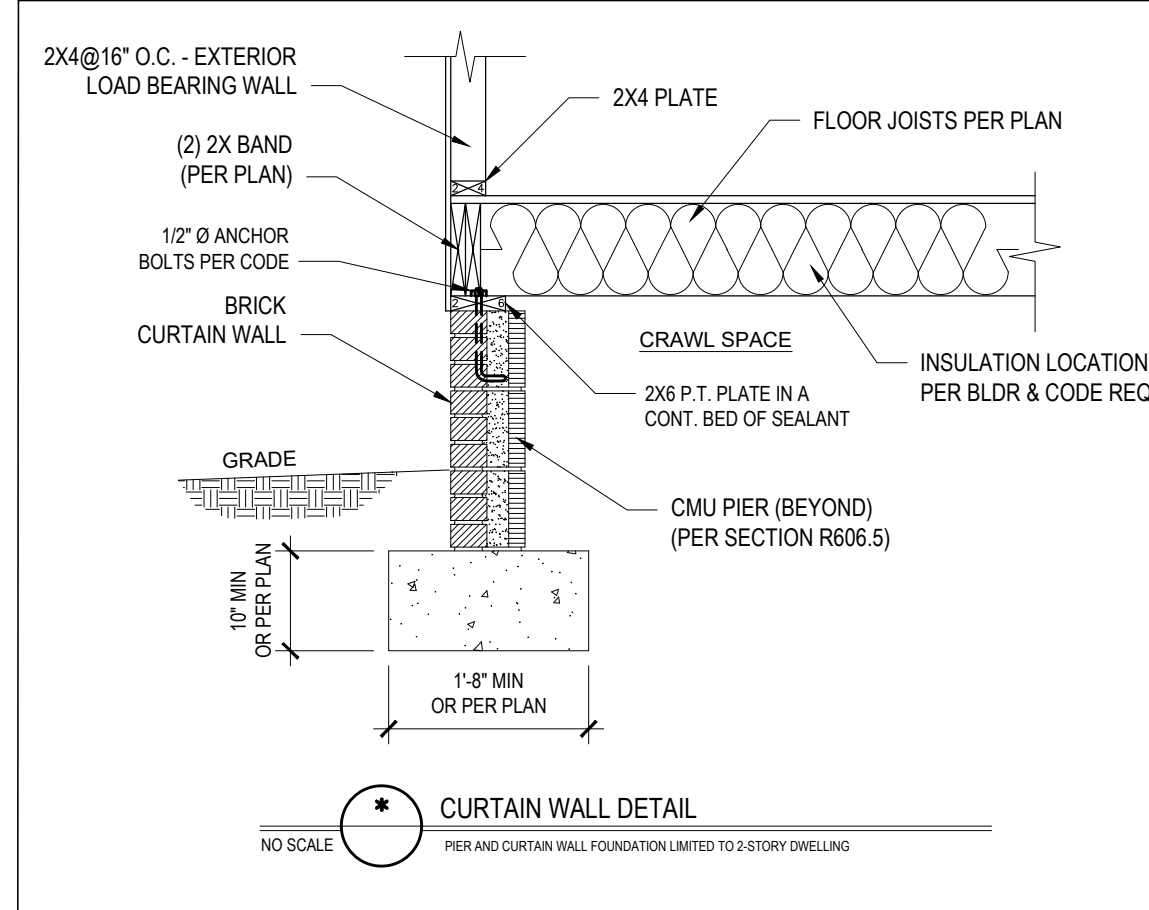
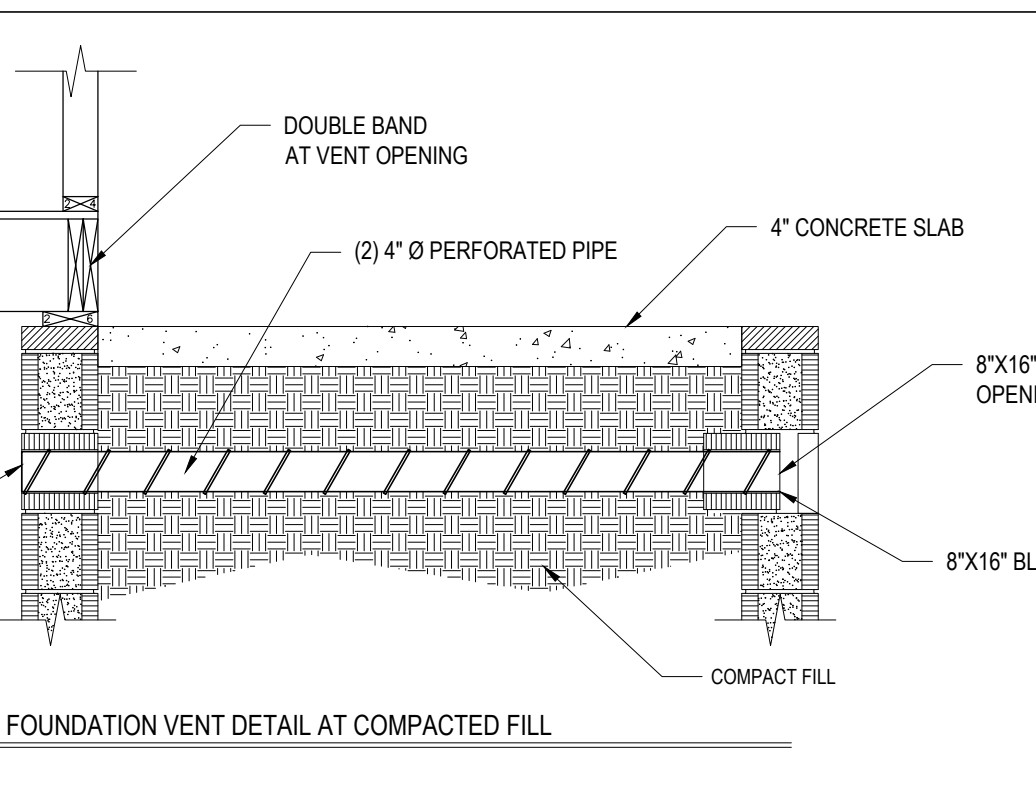
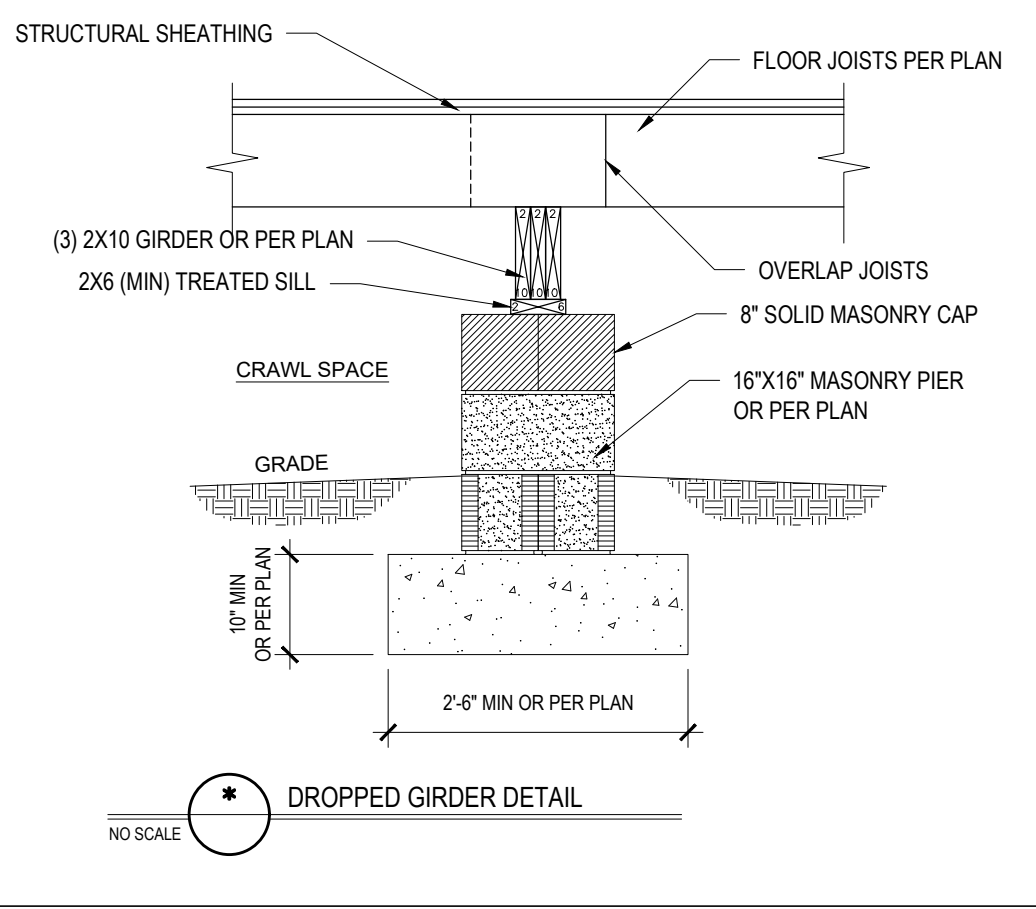
ALT = ALTERNATE	MAX = MAXIMUM
CANT = CANTILEVER	MIN = MINIMUM
CJ = CEILING JOIST	NOM = NOMINAL
CMU = CONCRETE MASONRY UNIT	O.C. = ON CENTER
COL = COLUMN	PL = POINT LOAD
CONC = CONCRETE	PT = PRESSURE TREATED
CONT = CONTINUOUS	REIN = REINFORCED
CT = COLLAR TIE	REQD = REQUIRED
DBL = DOUBLE	RJ = ROOF JOIST
DIA = DIAMETER	RS = ROOF SUPPORT
DJ = DOUBLE JOIST	SC = STUD COLUMN
DR = DOUBLE RAFTER	SCH = SCHEDULE
EA = EACH	SPEC = SPECIFIED
EE = EACH END	THK = THICK
FJ = FLOOR JOIST	TJ = TRIPLE JOIST
FND = FOUNDATION	TRTD = TREATED
FTG = FOOTING	TYP = TYPICAL
GALV = GALVANIZED	UNO = UNLESS NOTED OTHERWISE
HORIZ = HORIZONTAL	W = WIDE FLANGE BEAM
HT = HEIGHT	WWF = WELDED WIRE FABRIC
MANUF = MANUFACTURER	XJ = EXTRA JOIST

**1) MAXIMUM HEIGHT OF DECK SUPPORT POSTS AS FOLLOWS:**

POST SIZE	MAX. POST HEIGHT**
4 x 4	8'-0"
6 x 6	20'-0"
***	OVER 20'-0"

- THIS TABLE IS BASED ON NO. 2 TREATED SOUTHERN PINE POSTS. MAXIMUM TRIBUTARY AREA IS BASED ON 128 TOTAL SQUARE FEET WHICH MAY BE LOCATED AT DIFFERENT LEVELS.
  - \*\* FROM TOP OF FOOTING TO BOTTOM OF GIRDER
  - \*\*\* DECKS WITH POST HEIGHTS OVER 20'-0" SHALL BE DESIGNED AND SEALED BY A PROFESSIONAL ENGINEER OR REGISTERED ARCHITECT.
- DECKS SHALL BE BRACED TO PROVIDE LATERAL STABILITY BY ONE OF THESE METHODS:
    - THE DECK FLOOR HEIGHT IS LESS THAN 4'-0" AND THE DECK IS ATTACHED TO THE STRUCTURE IN ACCORDANCE WITH SECTION (4) ABOVE. LATERAL BRACING IS NOT REQUIRED.
    - 4 x 4 WOOD KNEE BRACES MAY BE PROVIDED ON EACH COLUMN IN BOTH DIRECTIONS. THE KNEE BRACES SHALL ATTACH TO EACH POST AT A POINT NOT LESS THAN 1/3 OF THE POST LENGTH FROM THE TOP OF THE POST, AND THE BRACES SHALL BE ANGLED BETWEEN 45° AND 60° FROM THE HORIZONTAL. KNEE BRACES SHALL BE BOLTED TO THE POST AND GIRDER WITH ONE 5/8" Ø HOT DIPPED GALVANIZED BOLT AT EACH END OF THE BRACE.
    - FOR FREESTANDING DECKS WITHOUT KNEE BRACES OR DIAGONAL BRACING, LATERAL STABILITY MAY BE PROVIDED BY EMBEDDING THE POSTS IN ACCORDANCE WITH THE FOLLOWING:
 

POST SIZE	MAX. TRIBUTARY AREA	MAX. POST HEIGHT	EMBEDMENT DEPTH	CONCRETE DIAMETER
4 x 4	48 SQ. FT.	4'-0"	2'-6"	1'-0"
6 x 6	120 SQ. FT.	6'-0"	3'-6"	1'-8"
  - 2 x 6 DIAGONAL VERTICAL CROSS BRACING MAY BE PROVIDED IN TWO (2) PERPENDICULAR DIRECTIONS FOR FREESTANDING DECKS OR PARALLEL TO THE STRUCTURE AT THE EXTERIOR COLUMN LINE FOR ATTACHED DECKS. THE 2 x 6 SHALL BE ATTACHED TO THE POSTS WITH ONE 5/8" Ø HOT DIPPED GALVANIZED BOLT AT EACH END OF EACH BRACING MEMBER.
  - FOR EMBEDMENT OF PILES IN COASTAL REGIONS, SEE CHAPTER 46.



**TABLE N1102.1 CLIMATE ZONES 3-5**

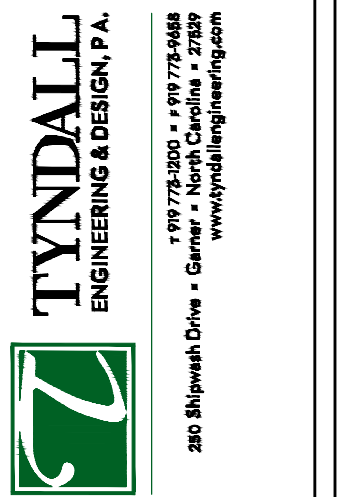
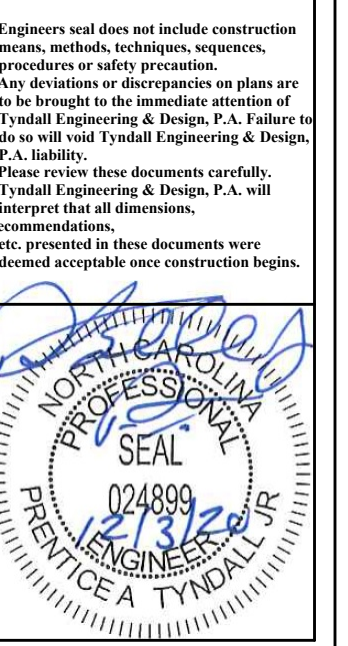
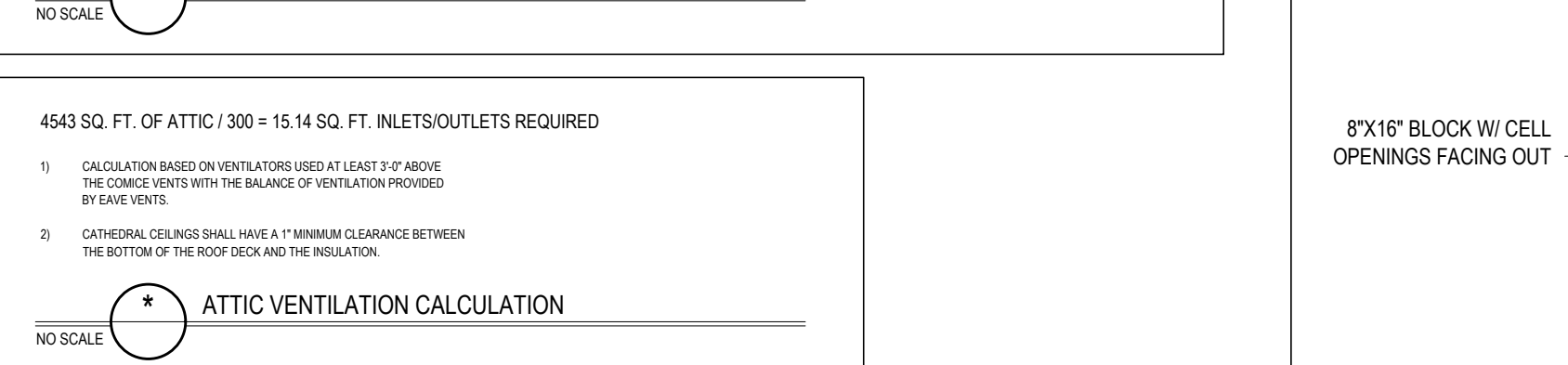
CLIMATE ZONES	FENESTRATION U-FACTOR <sup>a</sup>	SKYLIGHT U-FACTOR <sup>b</sup>	GLAZED FENESTRATION SHGC <sup>c,d,e</sup>	CEILING <sup>m</sup> R-VALUE	WOOD FRAMED WALL R-VALUE	MASS WALL R-VALUE	FLOOR R-VALUE	BASEMENT WALL R-VALUE	SLAB <sup>d</sup> R-VALUE AND DEPTH	CRRAWL SPACE <sup>e</sup> WALL R-VALUE
3	0.35	0.55	0.30	38 or 30 cont <sup>1</sup>	15 or 13 + 2.5 <sup>h</sup>	5/13 or 5/10 cont <sup>1</sup>	19	5/13	0	5/13
4	0.35	0.55	0.30	38 or 30 cont <sup>1</sup>	15 or 13 + 2.5 <sup>h</sup>	5/13 or 5/10 cont <sup>1</sup>	19	10/15	10	10/15
5	0.35	0.55	NR	38 or 30 cont <sup>1</sup>	19, or 13 + 5 <sup>h</sup> or 13 + 3 <sup>h</sup>	13/17 or 13/12.5 cont <sup>1</sup>	30 <sup>g</sup>	10/15	10	10/19

- R-VALUES ARE MINIMUM. U-FACTORS AND SHGC ARE MAXIMUMS. WHEN INSULATION IS INSTALLED IN A CAVITY WHICH IS LESS THAN THE LABEL OR DESIGN THICKNESS OF THE INSULATION, THE INSTALLED R-VALUE OF THE INSULATION SHALL NOT BE LESS THAN THE R-VALUE SPECIFIED IN THE TABLE.
- FENESTRATION U-FACTOR COLUMN EXCLUDES SKYLIGHTS. THE SOLAR HEAT GAIN COEFFICIENT (SHGC) COLUMN APPLIES TO ALL GLAZED FENESTRATION.
- SKYLIGHT U-FACTOR IS CONTINUOUS INSULATION (SPACING ON THE INTERIOR OR EXTERIOR OF THE ROOF OR IN CAVITY INSULATION AT THE INTERIOR OF THE BASEMENT WALL OR CRAWL SPACE WALL).
- FOR MONOLITHIC SLAB INSULATION SHALL BE APPLIED FROM THE INSULATION GAP DOWNWARD TO THE BOTTOM OF THE FOOTING OR MINIMUM OF 24" BELOW GRADE. WHENEVER IS USED FOR CONTINUOUS SLAB INSULATION SHALL EXTEND TO THE BOTTOM OF THE FOUNDATION WALL, OR 24" BELOW GRADE LEVEL, AND SHALL BE ADDED TO THE REQUIRED SLAB EDGE R-VALUES FOR HEATED SLABS.
- SELECT:
  - BASEMENT WALL INSULATION IS NOT REQUIRED IN WINDWARD LOCATIONS AS DEFINED BY EQUATION N1102.7 AND TABLE N1102.7.
  - OR INSULATION EXCEPT TO FILL THE FRAMING CAVITY. (U.N.BANNED)
- THE FIRST VALUE IS CAVITY INSULATION; THE SECOND VALUE IS CONTINUOUS INSULATION. (U.N.O.) MEANS R-13 CAVITY INSULATION PLUS R-5 INSULATED SHEATHING. (U.N.O.) MEANS R-5 CAVITY INSULATION PLUS R-3 INSULATED SHEATHING. (U.N.O.) MEANS R-5 INSULATED SHEATHING PLUS R-3 INSULATED SHEATHING. (U.N.O.) MEANS R-5 INSULATED SHEATHING PLUS R-3 INSULATED SHEATHING PLUS R-3 INSULATED SHEATHING. (U.N.O.) MEANS R-5 INSULATED SHEATHING PLUS R-3 INSULATED SHEATHING PLUS R-3 INSULATED SHEATHING PLUS R-3 INSULATED SHEATHING.
- FOR MASS WALLS THE SECOND R-VALUE APPLIES WHEN MORE THAN HALF THE INSULATION IS ON THE INTERIOR MASS WALL.
- IN ADDITION TO THE EXEMPTION IN SECTION N1102.3.3, A MINIMUM OF TWO GLAZED FENESTRATION PRODUCT ASSEMBLIES HAVING A U-FACTOR NO GREATER THAN 0.35 SHALL BE PERMITTED TO BE SUBSTITUTED FOR MINIMUM CODE COMPLIANT FENESTRATION PRODUCT ASSEMBLIES WITHOUT PENALTY.
- IN ADDITION TO THE EXEMPTION IN SECTION N1102.3.3, A MINIMUM OF TWO GLAZED FENESTRATION PRODUCT ASSEMBLIES HAVING A SHGC NO GREATER THAN 0.35 SHALL BE PERMITTED TO BE SUBSTITUTED FOR MINIMUM CODE COMPLIANT FENESTRATION PRODUCT ASSEMBLIES WITHOUT PENALTY.
- BASEMENT WALLS SHALL BE CONSIDERED TO BE INSULATED TO THE FULL HEIGHT OF ANCHOR BOLTS IN INSULATION EXTENDING OVER THE WALL TOP PLATE AT THE LEVELS OTHERWISE IN INSULATION IS REQUIRED WHERE NEGLIGIBLE CLEARANCE EXISTS OR INSULATION MUST EXTEND TO EITHER THE INSULATION BATTLE OR WITHIN TRACK OF THE EXTERIOR DOOR.
- TABLE VALUE REQUIRED EXCEPT FOR ROOF EDGE WHERE THE SPACE IS LIMITED BY THE PITCH OF THE ROOF. THERE THE INSULATION MUST FILL THE SPACE UP TO THE AIR BATTLE.
- IF THE SPACE IS LIMITED BY THE PITCH OF THE ROOF, THE INSULATION MUST FILL THE SPACE UP TO THE AIR BATTLE.
- BASEMENT WALL MEETING THE MINIMUM MASS WALL SPECIFIC HEAT CONTENT REQUIREMENT MAY USE THE MASS WALL R-VALUE AS THE MINIMUM REQUIREMENT.

2072 SQ. FT. OF CRAWL SPACE / 150 = 13.81 SQ. FT. OF REQD VENTILATION WITHOUT CROSS VENTILATION  
13.81 SQ. FT. OF VENTILATION REQD / 0.45 SQ. FT. PER VENT = 31 VENTS REQD

-OR-

2072 SQ. FT. OF CRAWL SPACE / 1500 = 1.38 SQ. FT. OF REQD VENTILATION WITH CROSS VENTILATION  
1.38 SQ. FT. OF VENTILATION REQD / 0.45 SQ. FT. PER VENT = 4 VENTS REQD



**POPE BUILDERS**  
CONWAY RESIDENCE

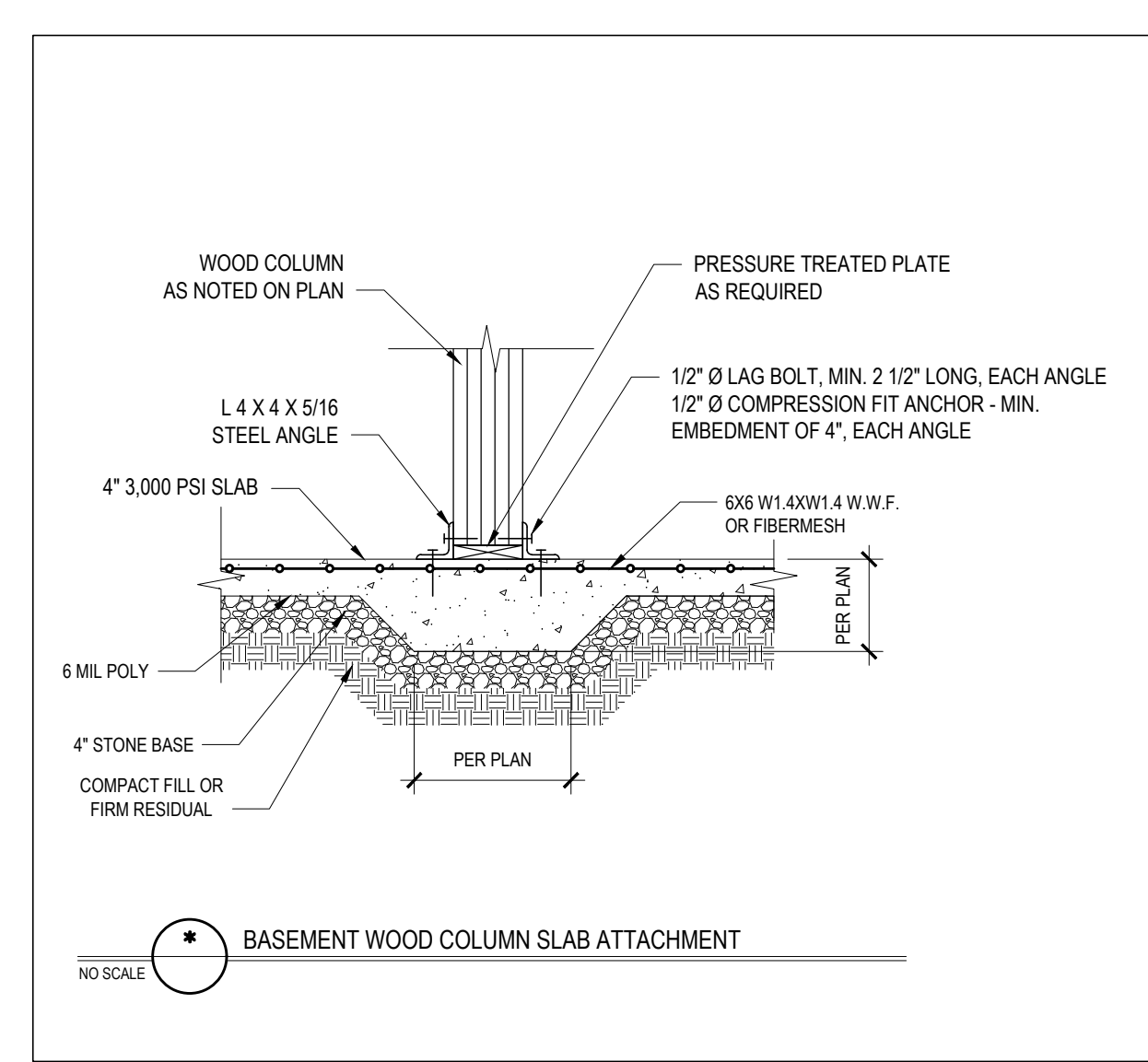
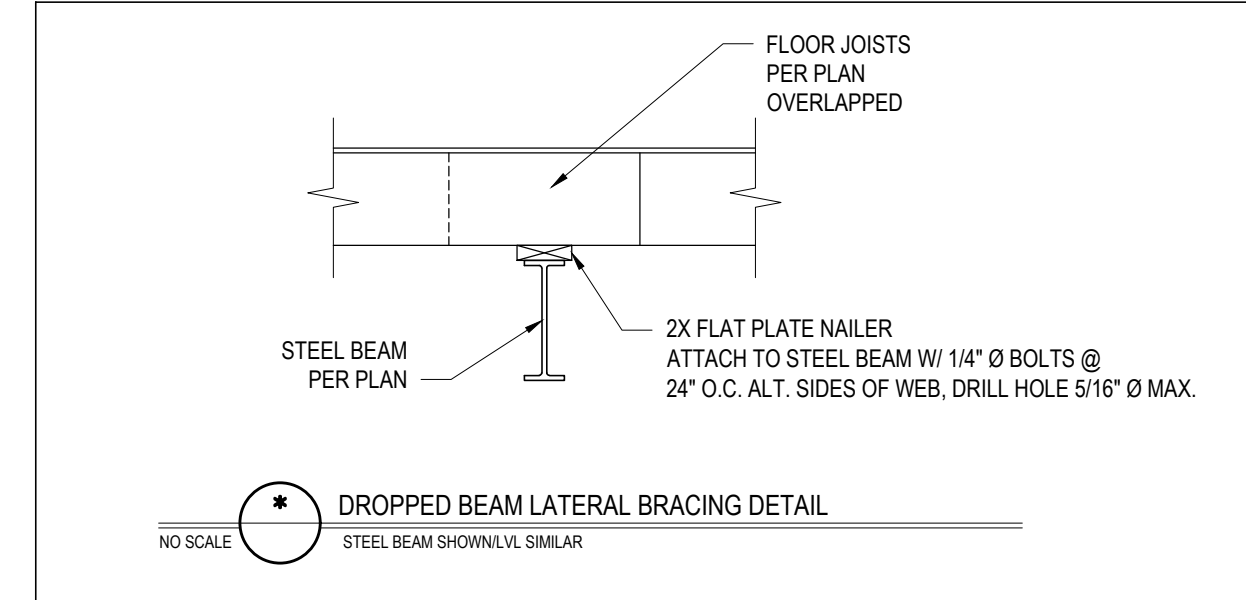
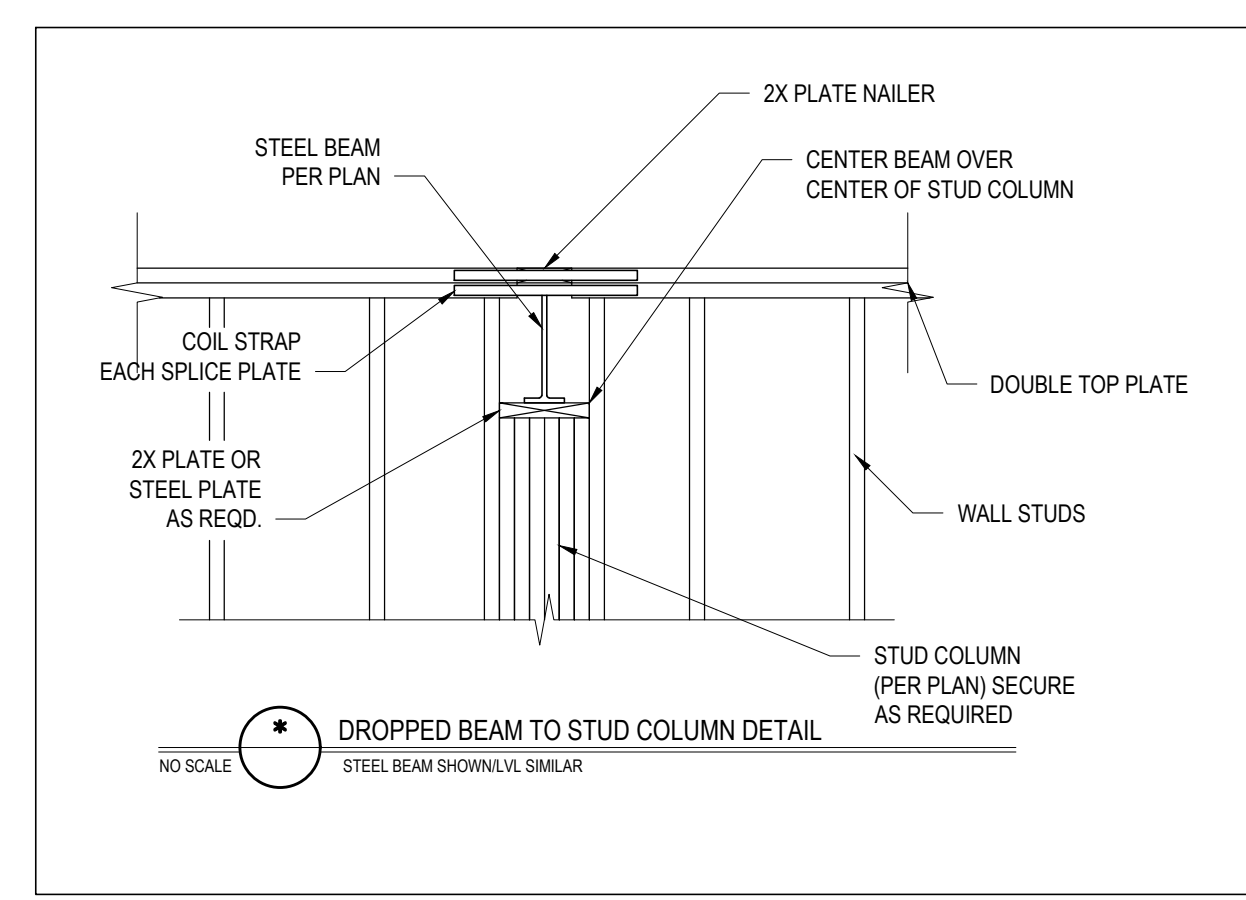
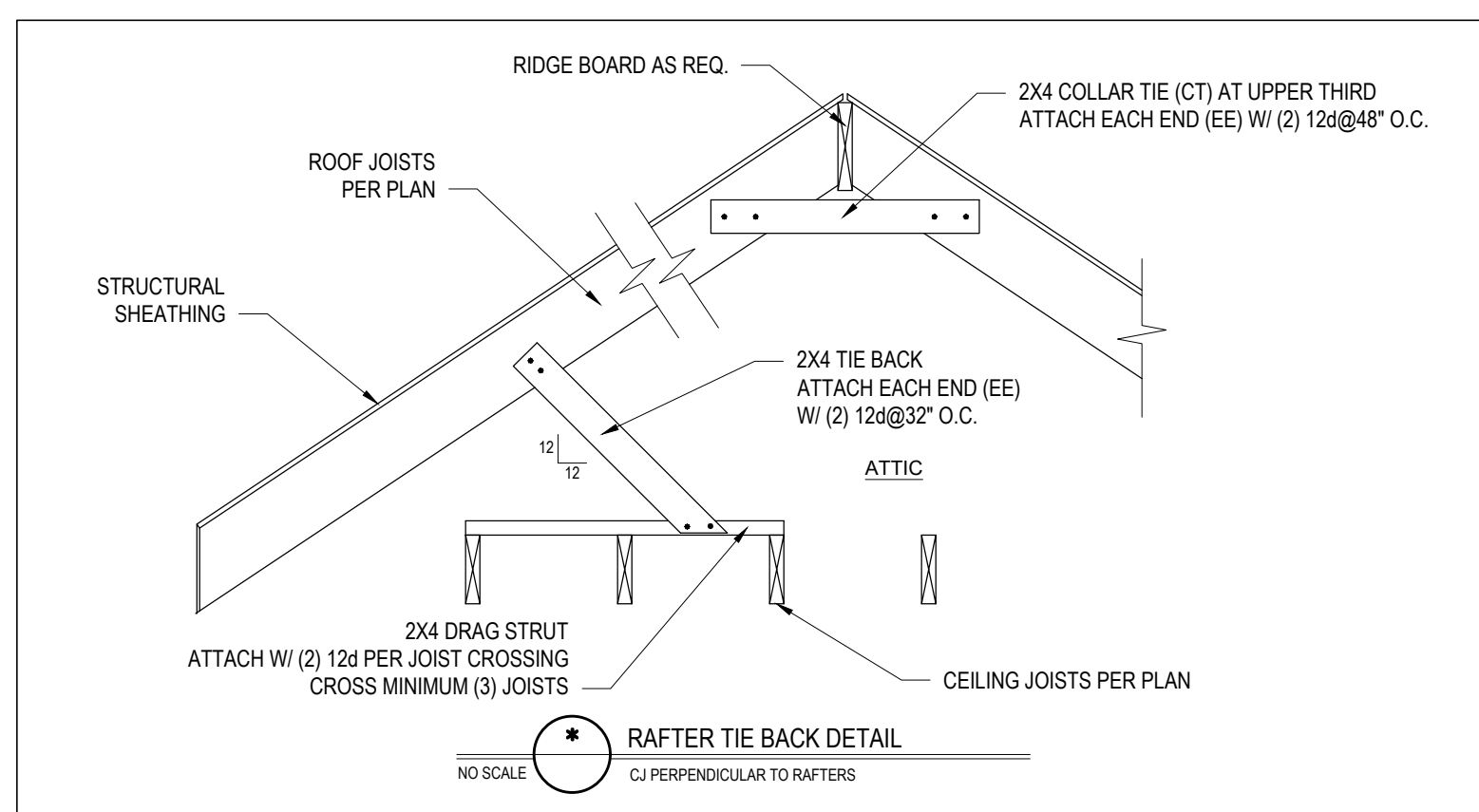
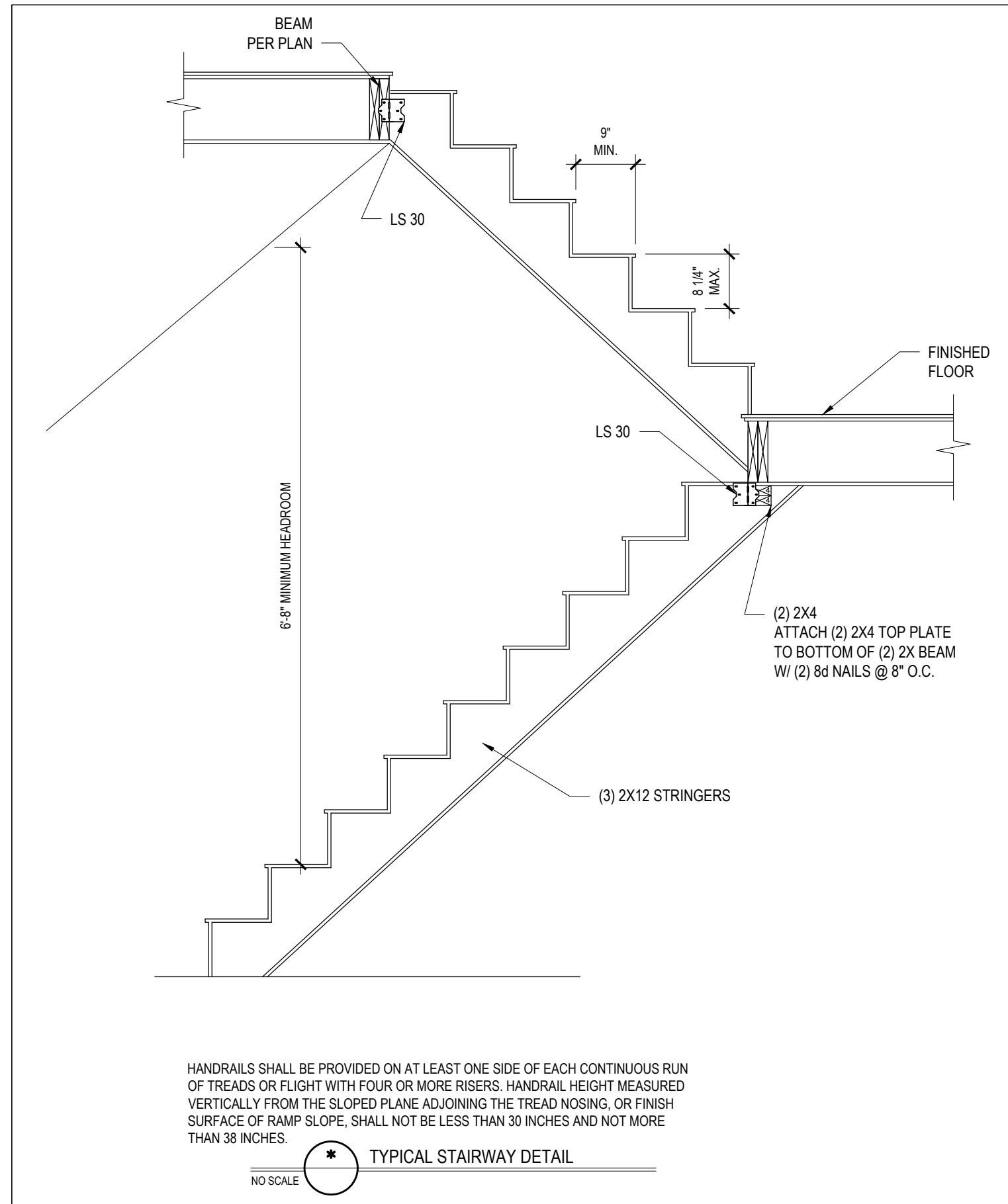
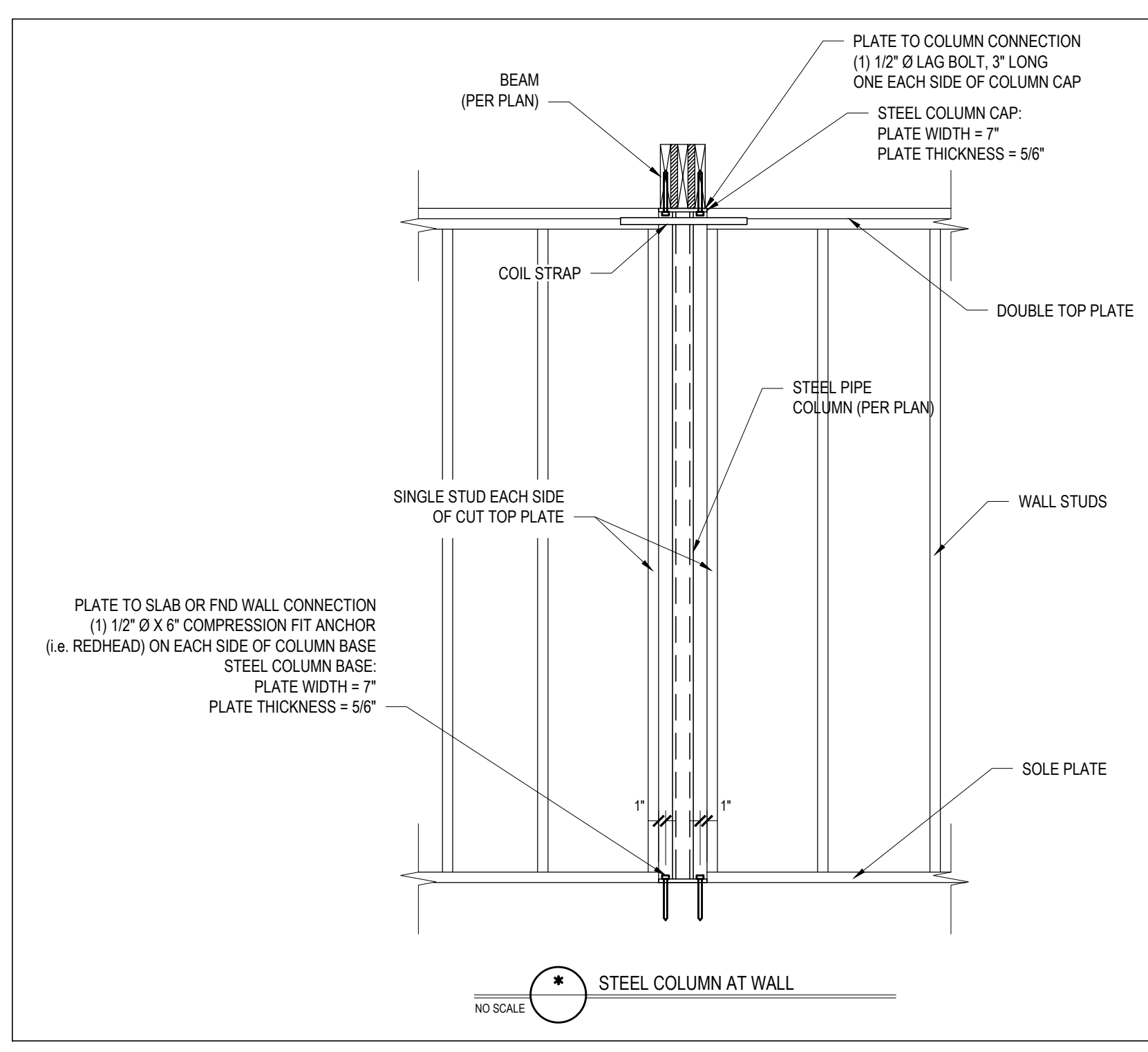
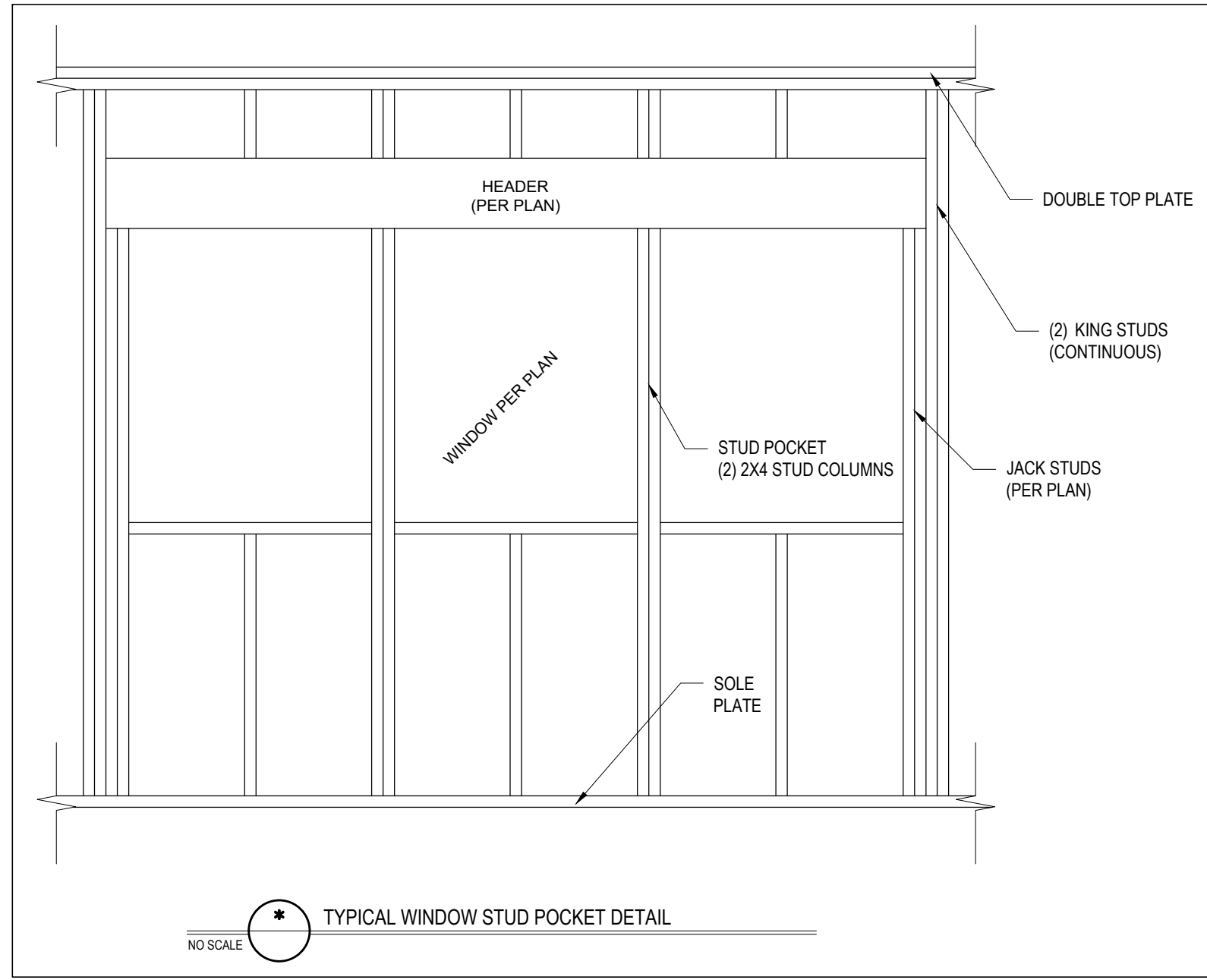
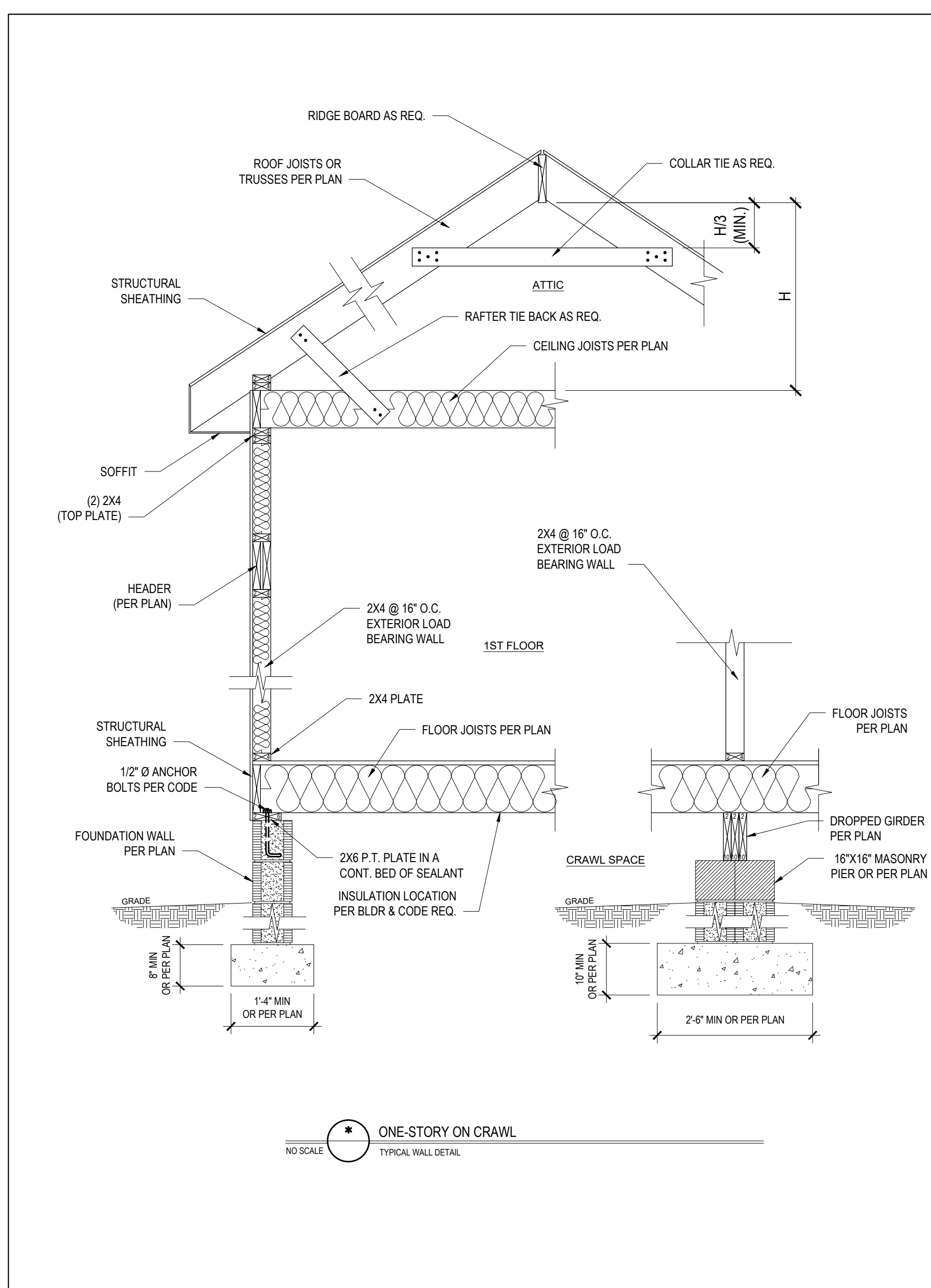
**STANDARD DETAILS**

Project #: 2001-010525  
Date: 10/30/20  
Drawn/Design By: KFR  
DWG. Checked By: PAT  
Scale: NOT TO SCALE

**REVISIONS**

No.	Date	Remarks

Sheet Number  
**D1**  
4 of 6



ALLOWABLE SPANS FOR LINTELS SUPPORTING MASONRY VENEER

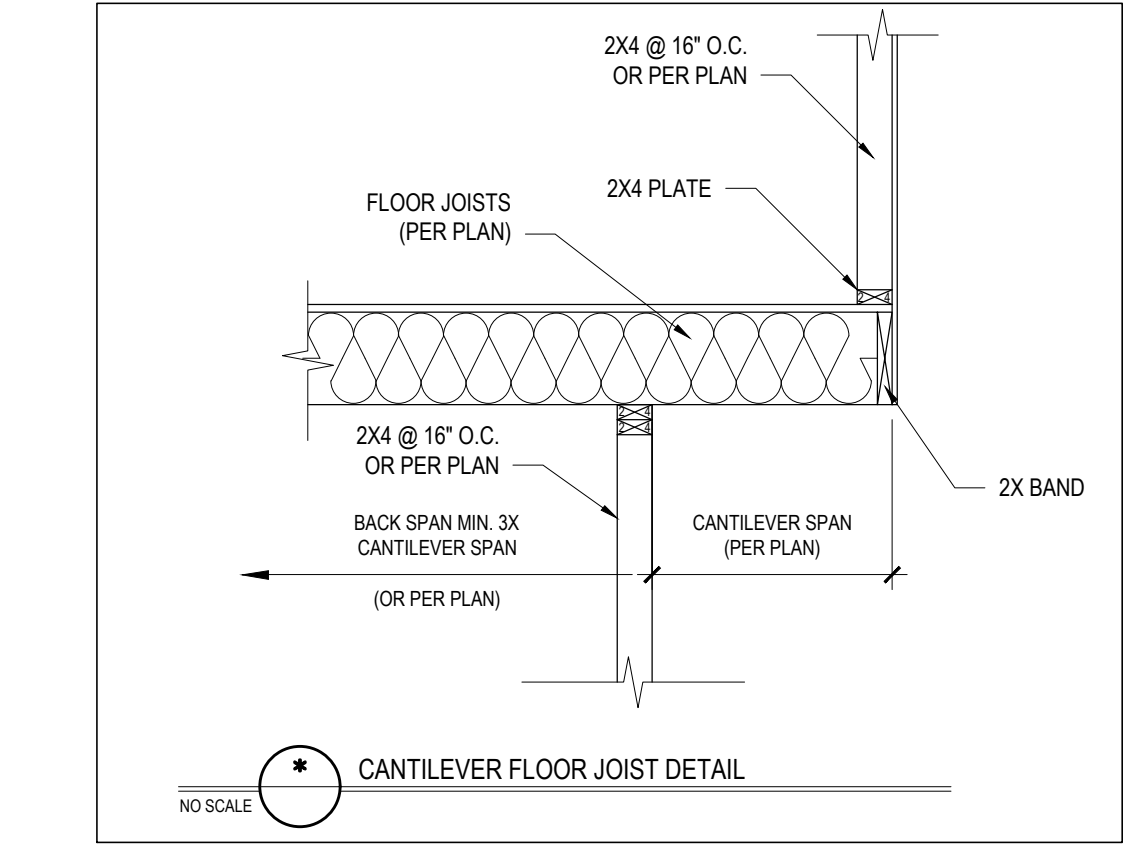
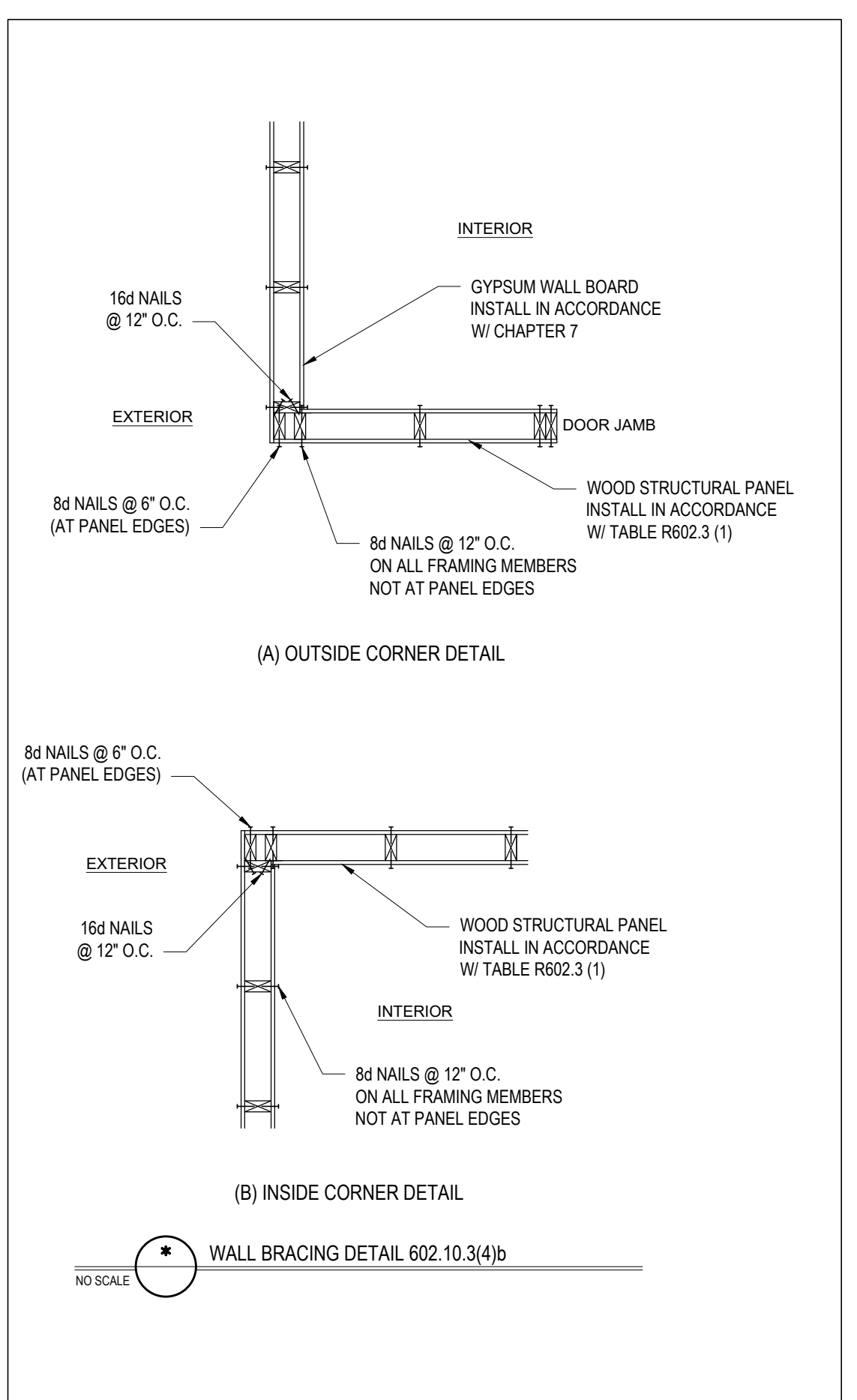
SIZE OF ANGLE (1,3)	NO STORY ABOVE (5)	1 STORY ABOVE (5)	2 STORIES ABOVE (5)	# OF 1/2\"/>
L 3 x 3 x 1/2	6'-0"	4'-6"	3'-0"	1
L 4 x 3 x 1/2	8'-0"	6'-0"	4'-6"	1
L 5 x 3 1/2 x 5/16	10'-0"	8'-0"	6'-0"	2
L 6 x 3 1/2 x 5/16	14'-0"	9'-6"	7'-0"	2
2L 5 x 3 1/2 x 5/16	20'-0"	12'-0"	9'-6"	4

- LONG LEG OF THE ANGLE SHALL BE PLACED IN A VERTICAL POSITION.
- DEPTH OF REINFORCING LINTELS SHALL NOT BE LESS THAN 8" AND ALL CELLS OF HOLLOW MASONRY LINTELS SHALL BE GROUTED. REINFORCING BARS SHALL EXTEND NOT LESS THAN 8" INTO THE SUPPORT.
- STEEL MEMBERS INDICATED ARE ADEQUATE TYPICAL EXAMPLES; OTHER STEEL MEMBERS MEETING STRUCTURAL DESIGN REQUIREMENTS SHALL BE PERMITTED TO BE USED.
- EITHER STEEL ANGLE OR REINFORCED LINTEL SHALL SPAN OPENING.
- SPANS OVER 4'-0" SHALL BE SHORED UP UNTIL CURED.

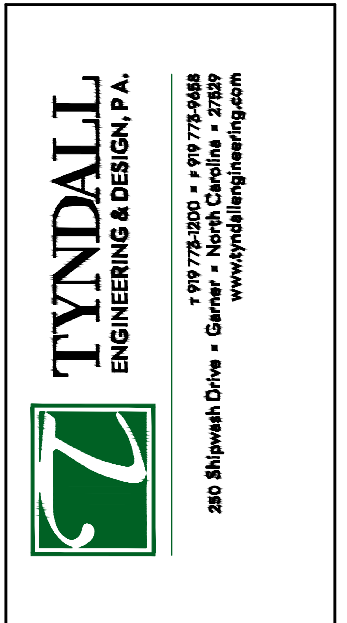
MASONRY VENEER SUPPORT FIG 703.8.3.1

HARDWARE CROSS-REFERENCE CHART

SIMPSON STRONG-TIE PRODUCT NUMBER	USP STRUCTURAL CONNECTORS PRODUCT NUMBER
A35	MPA1
ABE	PAE
CBSQ	CBSQ
CCQ	KCCQ
CMSTC16	CMSTC16
CS	RS
H1	RT15
H2.5A	RT7A
H10	RT16
HDO8-SDS3	UPH08
HU2-SDS2.5	PHD2
HU5-SDS2.5	PHD5
HETA	HTA
HGAM10KTA	HGAM
HHO14-SDS2.5	UPHD14
HTS	HTW
HTT	HTT
HUS	HUS
LTA1	LPTA
LTHA26	HUC26
LTP4	MP4F
LUS	JUS
MAS	FA3
MSTAM	MSTAM
PC	PCM
PHD-SDS3	PHD
SSP	RSP18
STC	TR1
STD	STAD



Engineers and drafters shall not include construction methods, techniques, sequences, procedures or safety precautions. Any deviations or discrepancies on plans are to be brought to the immediate attention of Tyndall Engineering & Design, P.A. Failure to do so will void Tyndall Engineering & Design, P.A. liability. Please review these documents carefully. Tyndall Engineering & Design, P.A. will interpret that all dimensions, recommendations, etc. presented in these documents were deemed acceptable when construction begins.



TYNDALL ENGINEERING & DESIGN, P.A.  
 1107 W. 10th Street, Suite 100  
 Raleigh, NC 27601  
 Phone: 919.775.4444  
 Fax: 919.775.4444  
 www.tyndalleng.com

STANDARD DETAILS

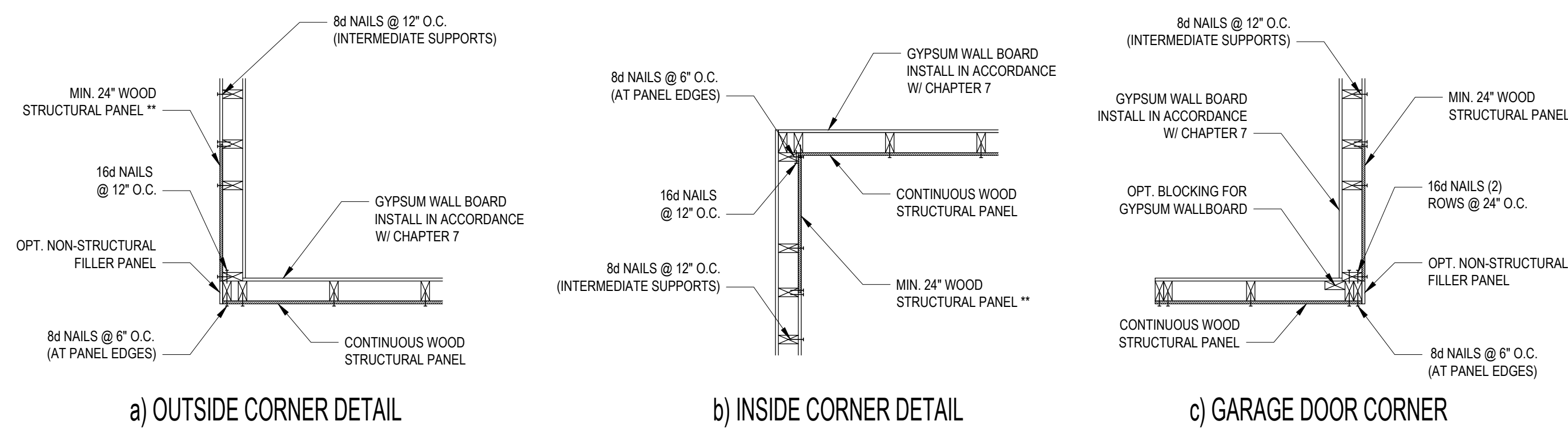
Project #: 2001-010525  
 Date: 10/30/20  
 Drawn/Design By: KFR  
 DWG. Checked By: PAT  
 Scale: NOT TO SCALE

REVISIONS

No.	Date	Remarks

Sheet Number  
**D2**  
 5 of 6

FILENAME: Z:\RESIDENTIAL\ENR\2020\STRUCTURAL\PROJECTS\2001-010525 - CONWAY RESIDENCE\2001-010525\_LINING SWED BY: KIMMY LUST PLOT DATE: 12/17/2020 8:08 AM



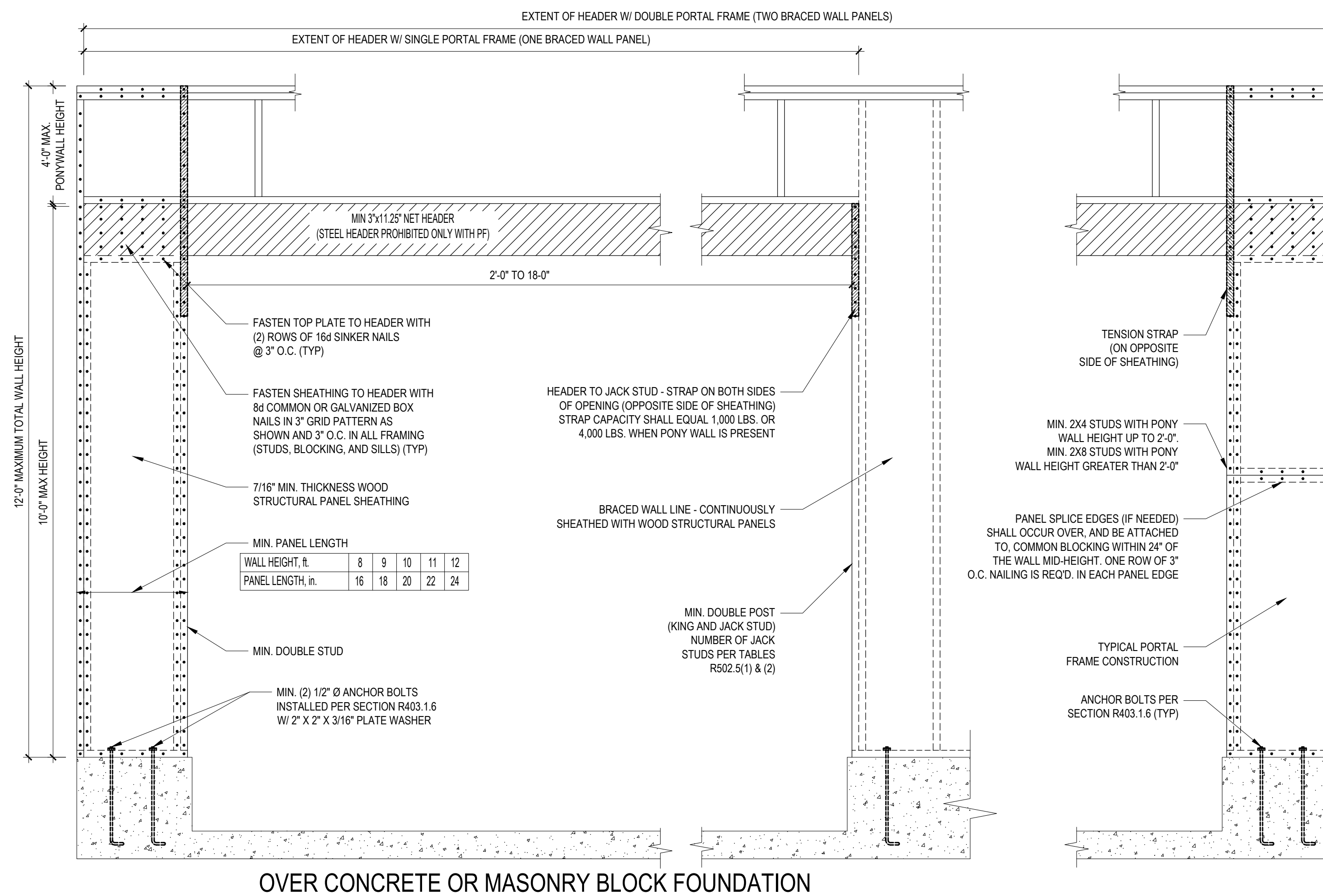
**B1: TYPICAL EXTERIOR CORNER FRAMING FOR CONTINUOUS SHEATHING**  
NO SCALE

**STRUCTURAL SHEATHING NOTES**

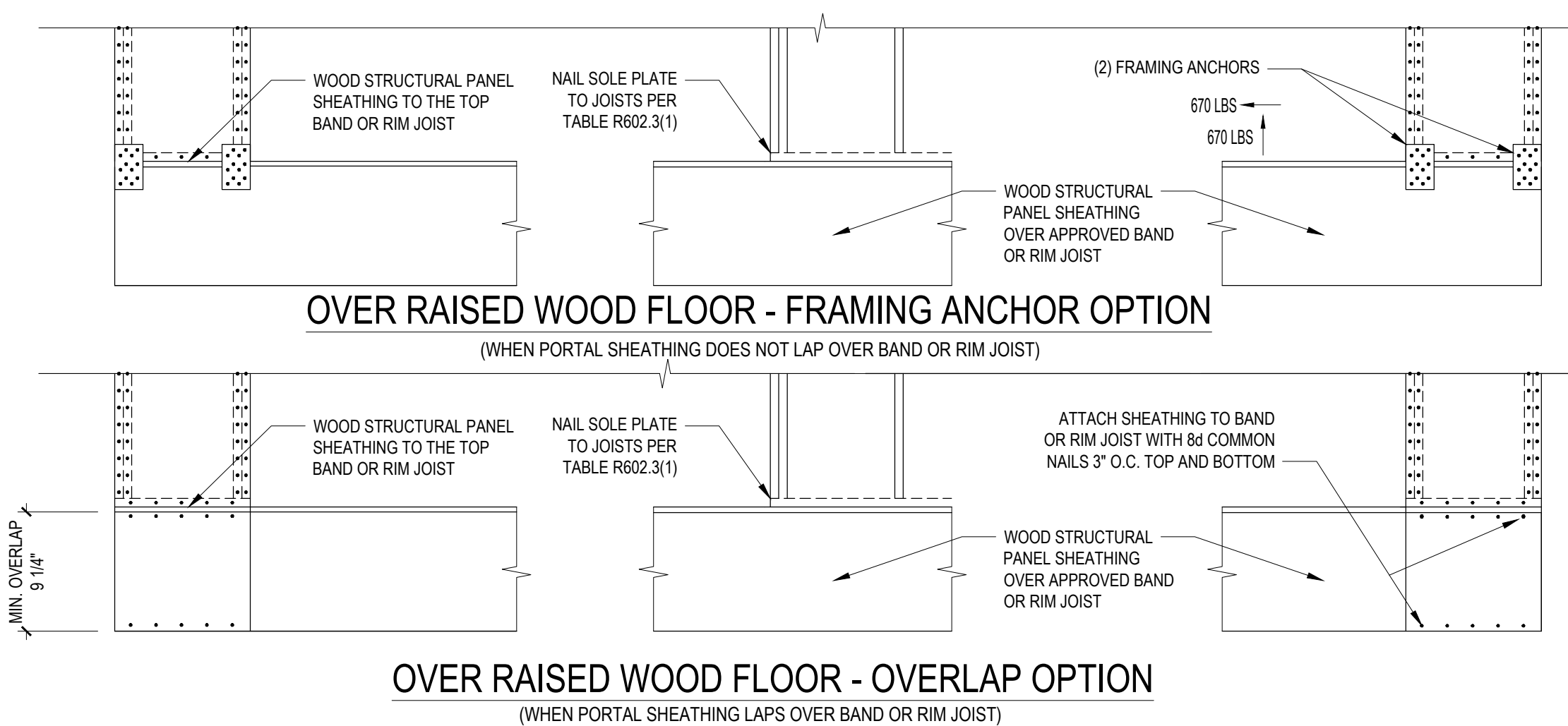
- DESIGNED FOR SEISMIC ZONE A-C AND WIND SPEEDS OF 120 MPH OR LESS.
- WALLS SHALL BE BRACED IN ACCORDANCE WITH SECTION R602.10.3 OF THE 2018 NCR.
- BRACING REQUIREMENTS SHALL BE PER TABLE R602.10.3. REFER TO SECTION R602.10.4 FOR LOAD PATH DETAILS INCLUDING CONNECTIONS & SUPPORT OF BRACED WALL PANELS.
- REFERENCE FIGURE R602.10.4.3 OF THE 2018 NCR.
- INTERIOR BRACED WALL PANELS (BWP) INDICATED SHALL BE SHEATHED IN ACCORDANCE WITH THE GB METHOD OR WSP METHOD AS PRESCRIBED IN SECTION R602.10.1 (UNO).
- 12\"/>

REQUIRED BRACED WALL PANEL CONNECTIONS				
METHOD	MATERIAL	MIN. THICKNESS	REQUIRED CONNECTION	
			@ PANEL EDGES	@ INTERMEDIATE SUPPORTS
CS-WSP	WOOD STRUCTURAL PANEL	3/8"	6d COMMON NAILS @ 6\"/>	

**B3: BRACE WALL PANEL CONNECTIONS**  
NO SCALE

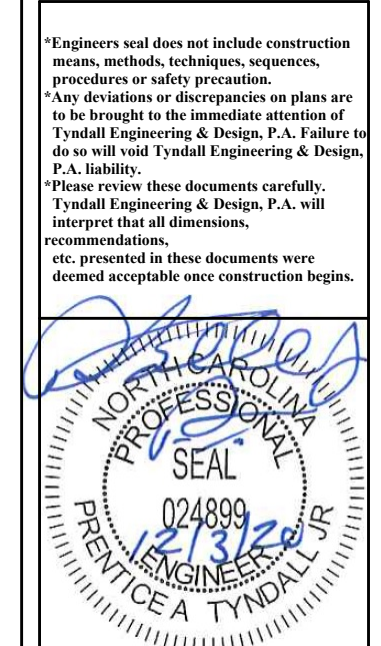


**B2: METHOD CS-PF: CONTINUOUSLY SHEATHED PORTAL FRAME**  
FIGURE R602.10.1



**B4: MASONRY STEM WALL SUPPORTING BRACED WALL PANELS**  
FIGURE R602.10.4.3 OF THE 2018 NCR

NOTE: GROUT BOND BEAMS AND ALL CELLS WHICH CONTAIN REBAR, THREADED RODS AND ANCHOR BOLTS



**TYNDALL**  
ENGINEERING & DESIGN P.A.  
1107 W. 10th Street, Suite 100  
Raleigh, NC 27601  
919.778.4444  
www.tyndalleng.com

POPE BUILDERS  
CONWAY RESIDENCE

**SHEATHING DETAILS**

Project #: 2001-010525  
Date: 10/30/20  
Drawn/Design By: KFR  
DWG. Checked By: PAT  
Scale: NOT TO SCALE

REVISIONS		
No.	Date	Remarks

Sheet Number  
**D3**  
6 of 6