

Table 11: Fireplace Framing Specifications

Model	A *	B	C	D	E
DRC2033 / DRT2033	33 3/4 857	33 1/4 845	36 7/8 930	14 1/2 368	19 5/8 499
DRC2035 / DRT2035	36	36	38 3/4 984	22	23 3/8 594
DRC2040 / DRT2040	41	41	43 3/4 1111	22	28 1/4 717
DRC2045 / DRT2045	46	41	43 3/4 1111	22	28 1/4 717

C = Minimum height of top vent installations
E = Minimum height of rear vent installations

* Minimum opening size; additional 1/8" per side is recommended.

NOTE: Framing specifications do NOT apply for flexible venting. When using flexible venting, refer to the kit requirements for framing specifications.

NOTE: See Page 28 concerning use of compact terminations on rear-vent 45" Models.

NOTE: Dimension "D" is the required framing depth when the finish material (drywall) thickness is 1/2" (13mm).

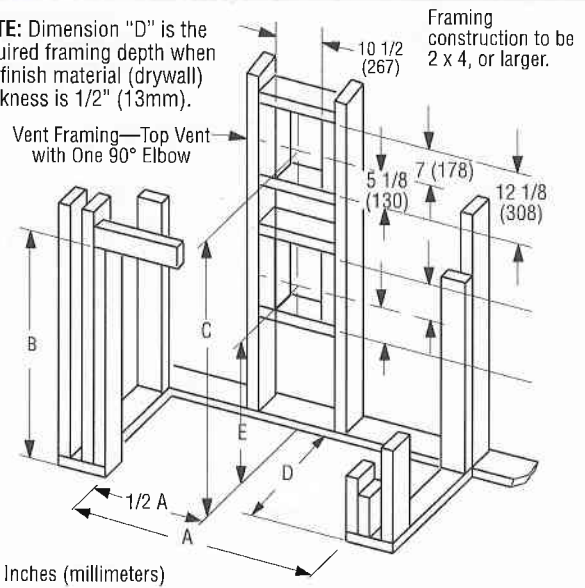
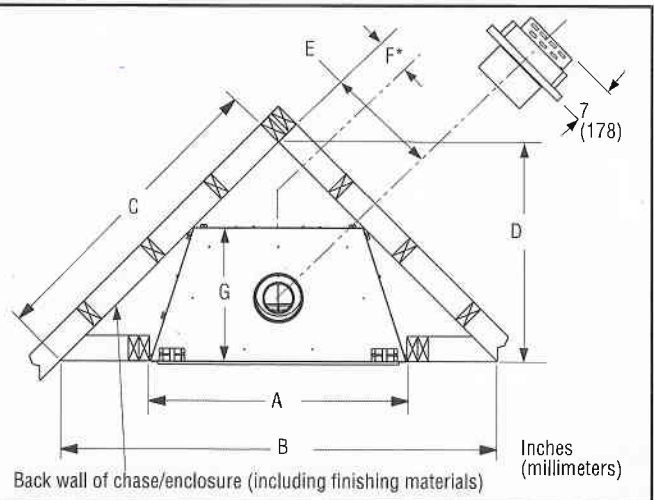


Table 12: Fireplace Framing Specifications—Corner Installation with Horizontal Termination

Model	A	B	C	D	E	F	G
DRC/T2033	33 3/4 857	51 1/4 1302	36 1/4 921	25 5/8 651	12 1/8 308	5 1/2 140	14 1/2 368
DRC/T2035	35 1/4 895	59 1/2 1511	42 1/16 1068	3 1/4 768	14 1/4 362	6 5/8 168	18 457
DRC/T2040	40 1/4 1022	63 13/16 1621	45 11/32 1152	32 3/16 818	15 7/8 403	8 1/2 216	18 457
DRC/T2045	45 1/4 1149	70 3/8 1788	49 3/4 1264	35 1/4 895	17 1/2 445	10 1/4 260	18 457

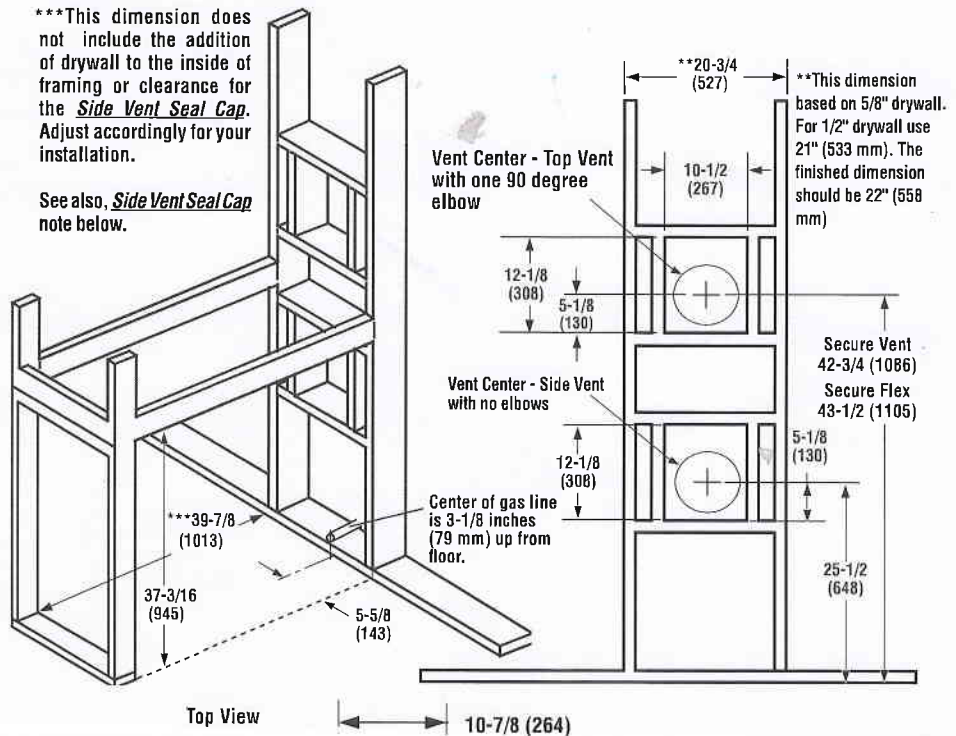


For use with the single sided fireplace only
Southeast Fireplace

SPECIFICATIONS	
Natural Gas BTU Input	30,000
Propane Gas BTU Input	28,000
Co-axial DV Vent Size	4-1/2" Inner / 7-1/2" Outer
NOTES	
All specifications, ratings and dimensions are subject to change without notice.	
Appliance has a factory-installed vent seal cap (see Figures 16 & 17 on Page 16) in each flue outlet.	

***This dimension does not include the addition of drywall to the inside of framing or clearance for the Side Vent Seal Cap. Adjust accordingly for your installation.

See also, Side Vent Seal Cap note below.



Top View

10-7/8 (264)

→ DRT35ST

For use with the double sided fireplace only