

Mark Morris, P.E.

#126, 1317-M, Summerville, SC 29483

843 209-5784, Fax (866)-213-4614

The truss drawing(s) listed below have been prepared by **Atlantic Building Components** under my direct supervision based on the parameters provided by the truss designers.

AST #: 26541

JOB: 21-1987-F02

JOB NAME: LOT 1154 CARRIAGE CIRCLE

Wind Code: N/A

Wind Speed: Vult= N/A

Exposure Category: N/A

Mean Roof Height (feet): N/A

8 Truss Design(s)

Trusses:

F01, F02, F03, F04, F05, F06, F07, F08



4/21/2021

Mark Morris

Warning !—Verify design parameters and read notes before use.

This design is based only upon parameters shown, and is for an individual building component to be installed and loaded vertically. Applicability of design parameters and proper incorporation of component is responsibility of building designer – not truss designer or truss engineer. Bracing shown is for lateral support of individual web members only. Additional temporary bracing to ensure stability during construction is the responsibility of the erector. Additional permanent bracing of the overall structure is the responsibility of the building designer. For general guidance regarding fabrication, quality control, storage, delivery, erection and bracing, consult ANSI/TPI 1 *National Design Standard for Metal Plate Connected Wood Truss Construction* and BCSI 1-03 Guide to

Job 21-1987-F02	Truss F01	Truss Type Floor Supported Gable	Qty 1	Ply 1	LOT 1154 CARRIAGE CIRCLE 150 SPRUCE HOLLOW CIRCLE SPRING LAKE, N.C. Job Reference (optional) # 26541
--------------------	--------------	-------------------------------------	----------	----------	--

8.430 s Feb 12 2021 MiTek Industries, Inc. Wed Apr 21 21:10:32 2021 Page 1
ID:MsMZ7fuyNIJd5IEFbR85JwyPq?q-rLH2AOZTJHc0B7nLnTy7y4C4DETDJnxSuzuQYOzOOFr

0-1-8

0-1-8

Scale = 1:41.1

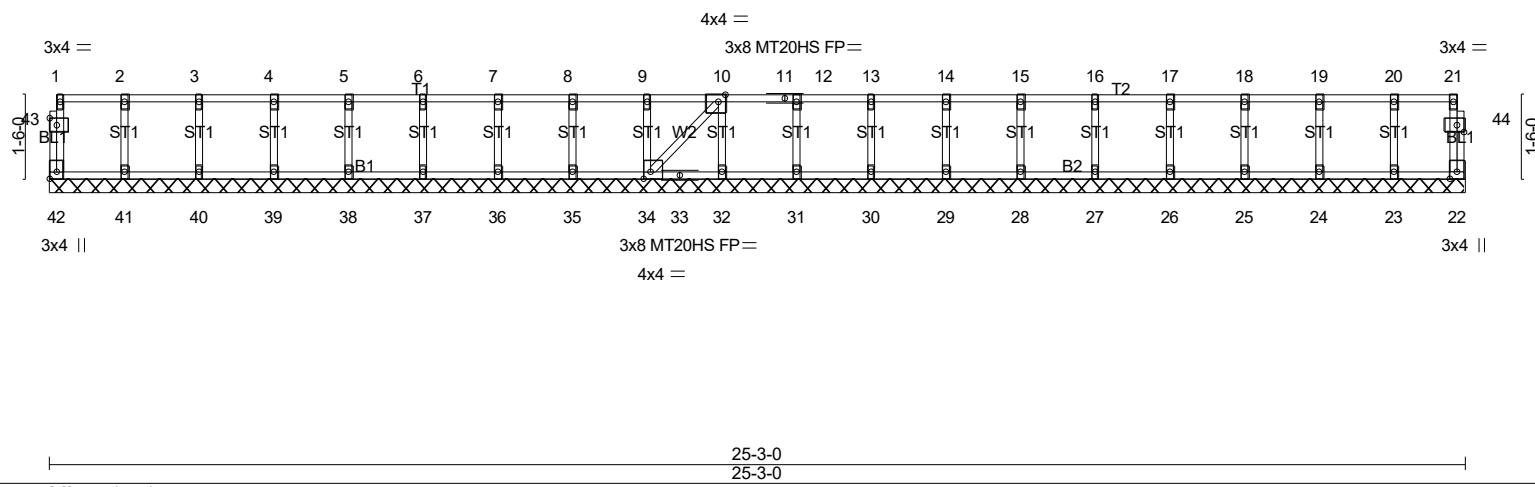


Plate Offsets (X,Y)-- [10:0-1-8,Edge], [34:0-1-8,Edge], [42:Edge,0-1-8], [43:0-1-8,0-1-8], [44:0-1-8,0-1-8]					
LOADING (psf)	SPACING- 2-0-0	CSI.	DEFL. in (loc) l/defl L/d	PLATES	GRIP
TCLL 40.0	Plate Grip DOL 1.00	TC 0.06	Vert(LL) n/a - n/a 999	MT20	244/190
TCDL 10.0	Lumber DOL 1.00	BC 0.01	Vert(CT) n/a - n/a 999	MT20HS	187/143
BCLL 0.0	Rep Stress Incr YES	WB 0.03	Horz(CT) 0.00 22 n/a n/a		
BCDL 5.0	Code IRC2018/TPI2014	Matrix-SH			Weight: 118 lb FT = 0%F, 0%E

LUMBER-	BRACING-
TOP CHORD 2x4 SP No.1(flat)	TOP CHORD Structural wood sheathing directly applied or 6-0-0 oc purlins, except end verticals.
BOT CHORD 2x4 SP No.1(flat)	BOT CHORD Rigid ceiling directly applied or 10-0-0 oc bracing.
WEBS 2x4 SP No.3(flat)	
OTHERS 2x4 SP No.3(flat)	

REACTIONS. All bearings 25-3-0.
(lb) - Max Grav All reactions 250 lb or less at joint(s) 42, 22, 41, 40, 39, 38, 37, 36, 35, 34, 32, 31, 30, 29, 28, 27, 26, 25, 24, 23

FORCES. (lb) - Max. Comp./Max. Ten. - All forces 250 (lb) or less except when shown.

- NOTES-** (8-9)
- 1) All plates are MT20 plates unless otherwise indicated.
 - 2) All plates are 1.5x3 MT20 unless otherwise indicated.
 - 3) Gable requires continuous bottom chord bearing.
 - 4) Truss to be fully sheathed from one face or securely braced against lateral movement (i.e. diagonal web).
 - 5) Gable studs spaced at 1-4-0 oc.
 - 6) This truss is designed in accordance with the 2018 International Residential Code sections R502.11.1 and R802.10.2 and referenced standard ANSI/TPI 1.
 - 7) Recommend 2x6 strongbacks, on edge, spaced at 10-0-0 oc and fastened to each truss with 3-10d (0.131" X 3") nails. Strongbacks to be attached to walls at their outer ends or restrained by other means.
 - 8) Graphical web bracing representation does not depict the size, type or the orientation of the brace on the web. Symbol only indicates that the member must be braced.
 - 9) Bearing symbols are only graphical representations of a possible bearing condition. Bearing symbols are not considered in the structural design of the truss to support the loads indicated.

LOAD CASE(S) Standard

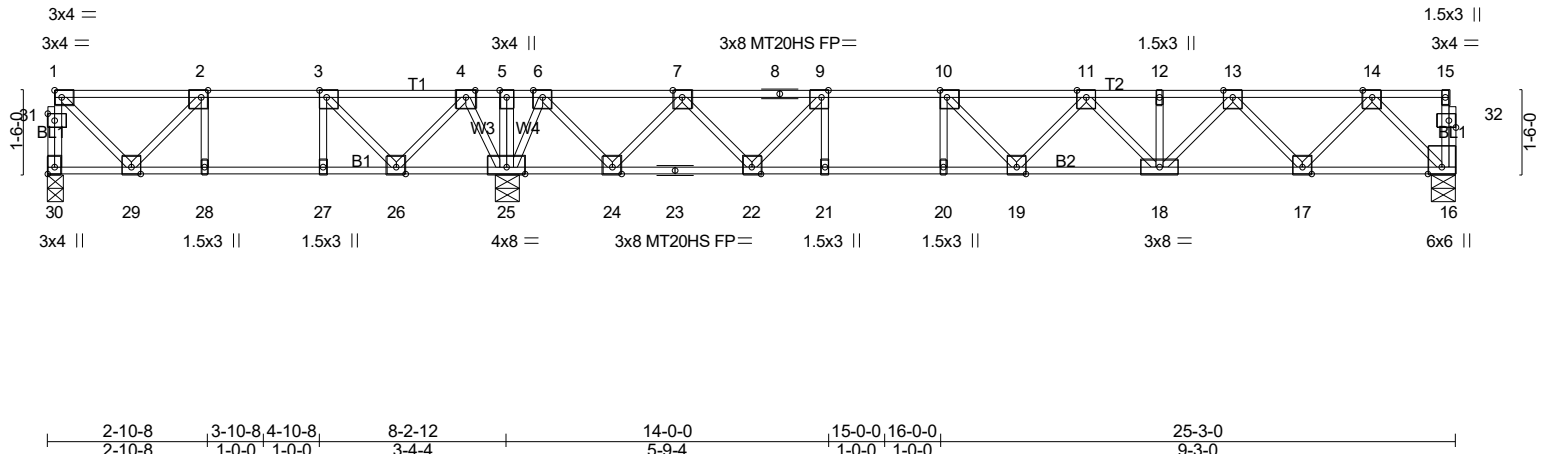


4/21/2021

Warning !—Verify design parameters and read notes before use. This design is based only upon parameters shown, and is for an individual building component to be installed and loaded vertically. Applicability of design parameters and proper incorporation of component is responsibility of building designer – not truss designer or truss engineer. Bracing shown is for lateral support of individual web members only. Additional temporary bracing to ensure stability during construction is the responsibility of the erector. Additional permanent bracing of the overall structure is the responsibility of the building designer. For general guidance regarding fabrication, quality control, storage, delivery, erection and bracing, consult ANSI/TPI 1 *National Design Standard for Metal Plate Connected Wood Truss Construction* and BCSI 1-03 *Guide to Good Practice for Handling, Installing & Bracing of Metal Plate Connected Wood Trusses* from Truss Plate Institute, 583 D*Onofrio Drive, Madison, WI 53719.

Job 21-1987-F02	Truss F02	Truss Type Floor	Qty 10	Ply 1	LOT 1154 CARRIAGE CIRCLE 150 SPRUCE HOLLOW CIRCLE SPRING LAKE, NC
					# 26541

8,430 s Feb 12 2021 MiTek Industries, Inc. Wed Apr 21 21:10:35 2021 Page 1
 ID:MsMZ7fuyNIJd5IEFbR85JwyPq?q-FwyBpQcLcC_b2bWwSbWqaiqSkSJCW1Jvax648jzOOFo



2-10-8	3-10-8, 4-10-8	8-2-12	14-0-0	15-0-0, 16-0-0	25-3-0
2-10-8	1-0-0, 1-0-0	3-4-4	5-9-4	1-0-0, 1-0-0	9-3-0
Plate Offsets (X,Y)-- [2:0-1-8,Edge], [3:0-1-8,Edge], [9:0-1-8,Edge], [10:0-1-8,Edge], [30:Edge,0-1-8], [31:0-1-8,0-1-8], [32:0-1-8,0-1-8]					
LOADING (psf)	SPACING-	CSI.	DEFL.	PLATES	GRIP
TCLL 40.0	2-0-0	TC 0.62	in (loc) l/defl L/d	MT20	244/190
TCDL 10.0	Plate Grip DOL 1.00	BC 0.82	Vert(LL) -0.24 19-20 >860 480	MT20HS	187/143
BCLL 0.0	Lumber DOL 1.00	WB 0.50	Vert(CT) -0.32 19-20 >637 360	Weight: 138 lb FT = 0%F, 0%E	
BCLD 5.0	Rep Stress Incr YES	Matrix-SH	Horz(CT) 0.04 16 n/a n/a		
	Code IRC2018/TPI2014				

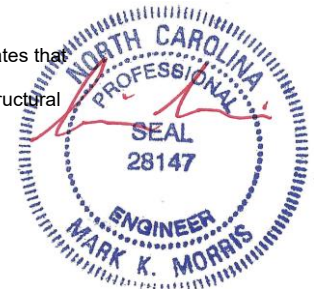
LUMBER-	BRACING-
TOP CHORD 2x4 SP No.1(flat)	TOP CHORD Structural wood sheathing directly applied or 6-0-0 oc purlins, except end verticals.
BOT CHORD 2x4 SP No.1(flat) *Except* B2: 2x4 SP SS(flat)	BOT CHORD Rigid ceiling directly applied or 6-0-0 oc bracing.
WEBS 2x4 SP No.3(flat)	

REACTIONS. (lb/size) 30=341/0-3-8 (min. 0-1-8), 16=876/0-5-8 (min. 0-1-8), 25=1521/0-5-8 (min. 0-1-8)
 Max Grav 30=394(LC 3), 16=894(LC 7), 25=1526(LC 8)

FORCES. (lb) - Max. Comp./Max. Ten. - All forces 250 (lb) or less except when shown.
 TOP CHORD 30-31=-390/0, 1-31=-390/0, 1-2=-284/0, 2-3=-522/43, 3-4=-255/230, 4-5=0/735,
 5-6=0/735, 6-7=-799/0, 7-8=-1914/0, 8-9=-1914/0, 9-10=-2511/0, 10-11=-2639/0,
 11-12=-2306/0, 12-13=-2306/0, 13-14=-1420/0
 BOT CHORD 28-29=-43/522, 27-28=-43/522, 26-27=-43/522, 25-26=-454/2, 24-25=-255/116,
 23-24=0/1452, 22-23=0/1452, 21-22=0/2511, 20-21=0/2511, 19-20=0/2511, 18-19=0/2618,
 17-18=0/1961, 16-17=0/850
 WEBS 9-21=0/378, 10-20=-346/0, 1-29=0/385, 2-29=-345/77, 3-26=-536/0, 4-26=0/467,
 4-25=-608/0, 9-22=-943/0, 7-22=0/734, 7-24=-1007/0, 6-24=0/1058, 6-25=-1130/0,
 10-19=-127/378, 11-18=-452/0, 13-18=0/499, 13-17=-804/0, 14-17=0/847, 14-16=-1200/0

- NOTES- (7-8)**
- 1) Unbalanced floor live loads have been considered for this design.
 - 2) All plates are MT20 plates unless otherwise indicated.
 - 3) All plates are 4x4 MT20 unless otherwise indicated.
 - 4) This truss is designed in accordance with the 2018 International Residential Code sections R502.11.1 and R802.10.2 and referenced standard ANSI/TPI 1.
 - 5) Recommend 2x6 strongbacks, on edge, spaced at 10-0-0 oc and fastened to each truss with 3-10d (0.131" X 3") nails. Strongbacks to be attached to walls at their outer ends or restrained by other means.
 - 6) CAUTION, Do not erect truss backwards.
 - 7) Graphical web bracing representation does not depict the size, type or the orientation of the brace on the web. Symbol only indicates that the member must be braced.
 - 8) Bearing symbols are only graphical representations of a possible bearing condition. Bearing symbols are not considered in the structural design of the truss to support the loads indicated.

LOAD CASE(S) Standard

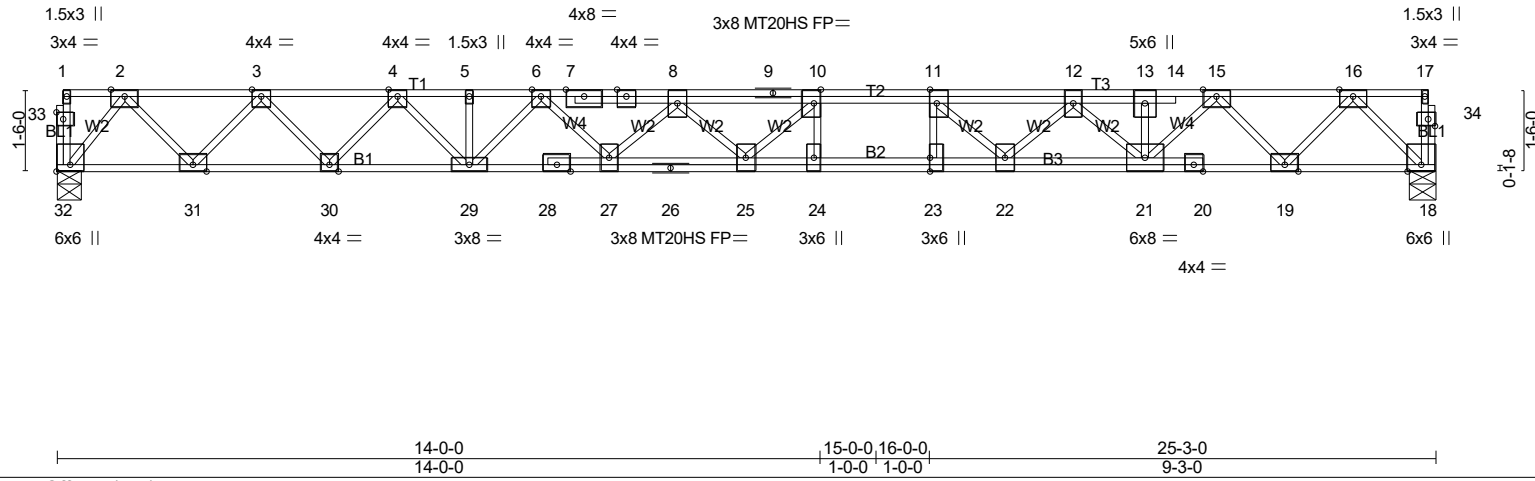


4/21/2021

Warning!—Verify design parameters and read notes before use. This design is based only upon parameters shown, and is for an individual building component to be installed and loaded vertically. Applicability of design parameters and proper incorporation of component is responsibility of building designer – not truss designer or truss engineer. Bracing shown is for lateral support of individual web members only. Additional temporary bracing to ensure stability during construction is the responsibility of the erector. Additional permanent bracing of the overall structure is the responsibility of the building designer. For general guidance regarding fabrication, quality control, storage, delivery, erection and bracing, consult ANSI/TPI 1 *National Design Standard for Metal Plate Connected Wood Truss Construction* and BCSI 1-03 *Guide to Good Practice for Handling, Installing & Bracing of Metal Plate Connected Wood Trusses* from Truss Plate Institute, 583 D*Onofrio Drive, Madison, WI 53719.

Job 21-1987-F02	Truss F03	Truss Type Floor	Qty 7	Ply 1	LOT 1154 CARRIAGE CIRCLE 150 SPRUCE HOLLOW CIRCLE SPRING LAKE, N.C. Job Reference (optional) # 26541
--------------------	--------------	---------------------	----------	----------	--

8,430 s Feb 12 2021 MiTek Industries, Inc. Wed Apr 21 21:10:36 2021 Page 1
ID:MsMZ7fuyNIJd5IEFbR85JwyPq?j6WZ0mczNV6Sgl560J136wNbBsdWfQ12pbsdh9zOOFn



LOADING (psf)	SPACING-	CSI.	DEFL.	PLATES	GRIP
TCLL 40.0	2-0-0	TC 0.76	in (loc) l/defl L/d	MT20	244/190
TCDL 10.0	Plate Grip DOL 1.00	BC 0.88	Vert(LL) -0.49 25-27 >614 480	MT20HS	187/143
BCLL 0.0	Lumber DOL 1.00	WB 0.73	Vert(CT) -0.67 25-27 >446 360		
BCDL 5.0	Rep Stress Incr YES	Matrix-SH	Horz(CT) 0.11 18 n/a n/a		
	Code IRC2018/TPI2014			Weight: 167 lb	FT = 0%F, 0%E

LUMBER-
TOP CHORD 2x4 SP No.1(flat)
BOT CHORD 2x4 SP No.1(flat) *Except*
B1: 2x4 SP SS(flat)
WEBS 2x4 SP No.3(flat)

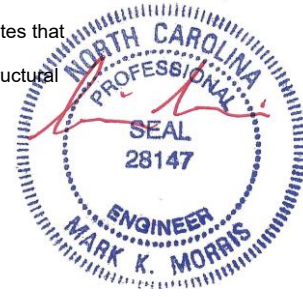
BRACING-
TOP CHORD Structural wood sheathing directly applied or 3-11-15 oc purlins, except end verticals.
BOT CHORD Rigid ceiling directly applied or 10-0-0 oc bracing.

REACTIONS. (lb/size) 32=1369/0-5-8 (min. 0-1-8), 18=1369/0-5-8 (min. 0-1-8)

FORCES. (lb) - Max. Comp./Max. Ten. - All forces 250 (lb) or less except when shown.
TOP CHORD 2-3=-2124/0, 3-4=-3901/0, 4-5=-5198/0, 5-6=-5198/0, 6-7=-6248/0, 7-8=-6255/0, 8-9=-6803/0, 9-10=-6803/0, 10-11=-6557/0, 11-12=-5846/0, 12-13=-4331/0, 13-14=-4322/0, 14-15=-4331/0, 15-16=-2305/0
BOT CHORD 31-32=0/1095, 30-31=0/3134, 29-30=0/4627, 28-29=0/5726, 27-28=0/5723, 26-27=0/6760, 25-26=0/6760, 24-25=0/6557, 23-24=0/6557, 22-23=0/6557, 21-22=0/5235, 20-21=0/3313, 19-20=0/3315, 18-19=0/1320
WEBS 10-24=-472/57, 11-23=-64/455, 10-25=-327/678, 8-25=-172/376, 8-27=-724/0, 6-27=0/757, 6-29=-765/0, 4-29=0/827, 4-30=-1079/0, 3-30=0/1141, 3-31=-1502/0, 2-31=0/1530, 2-32=-1727/0, 11-22=-1206/0, 12-22=0/932, 12-21=-1248/0, 15-21=0/1437, 15-19=-1502/0, 16-19=0/1464, 16-18=-1865/0

- NOTES-** (6-7)
- 1) Unbalanced floor live loads have been considered for this design.
 - 2) All plates are MT20 plates unless otherwise indicated.
 - 3) All plates are 4x6 MT20 unless otherwise indicated.
 - 4) This truss is designed in accordance with the 2018 International Residential Code sections R502.11.1 and R802.10.2 and referenced standard ANSI/TPI 1.
 - 5) Recommend 2x6 strongbacks, on edge, spaced at 10-0-0 oc and fastened to each truss with 3-10d (0.131" X 3") nails. Strongbacks to be attached to walls at their outer ends or restrained by other means.
 - 6) Graphical web bracing representation does not depict the size, type or the orientation of the brace on the web. Symbol only indicates that the member must be braced.
 - 7) Bearing symbols are only graphical representations of a possible bearing condition. Bearing symbols are not considered in the structural design of the truss to support the loads indicated.

LOAD CASE(S) Standard



4/21/2021

Warning !—Verify design parameters and read notes before use. This design is based only upon parameters shown, and is for an individual building component to be installed and loaded vertically. Applicability of design parameters and proper incorporation of component is responsibility of building designer – not truss designer or truss engineer. Bracing shown is for lateral support of individual web members only. Additional temporary bracing to ensure stability during construction is the responsibility of the erector. Additional permanent bracing of the overall structure is the responsibility of the building designer. For general guidance regarding fabrication, quality control, storage, delivery, erection and bracing, consult ANSI/TPI 1 *National Design Standard for Metal Plate Connected Wood Truss Construction* and BCSI 1-03 *Guide to Good Practice for Handling, Installing & Bracing of Metal Plate Connected Wood Trusses* from Truss Plate Institute, 583 D*Onofrio Drive, Madison, WI 53719.

Job 21-1987-F02	Truss F04	Truss Type Floor Supported Gable	Qty 1	Ply 1	LOT 1154 CARRIAGE CIRCLE 150 SPRUCE HOLLOW CIRCLE SPRING LAKE, NC
Job Reference (optional)					# 26541

8.430 s Feb 12 2021 MiTek Industries, Inc. Wed Apr 21 21:10:37 2021 Page 1
ID:MsMZ7fuyNIJd5IEFbR85JwyPq?q-BI4xE6dc8pFJHufiZ0YIf7vxxFAO_29C1FbBDbzOOFm

0₁-8

0₁-8

Scale = 1:17.8

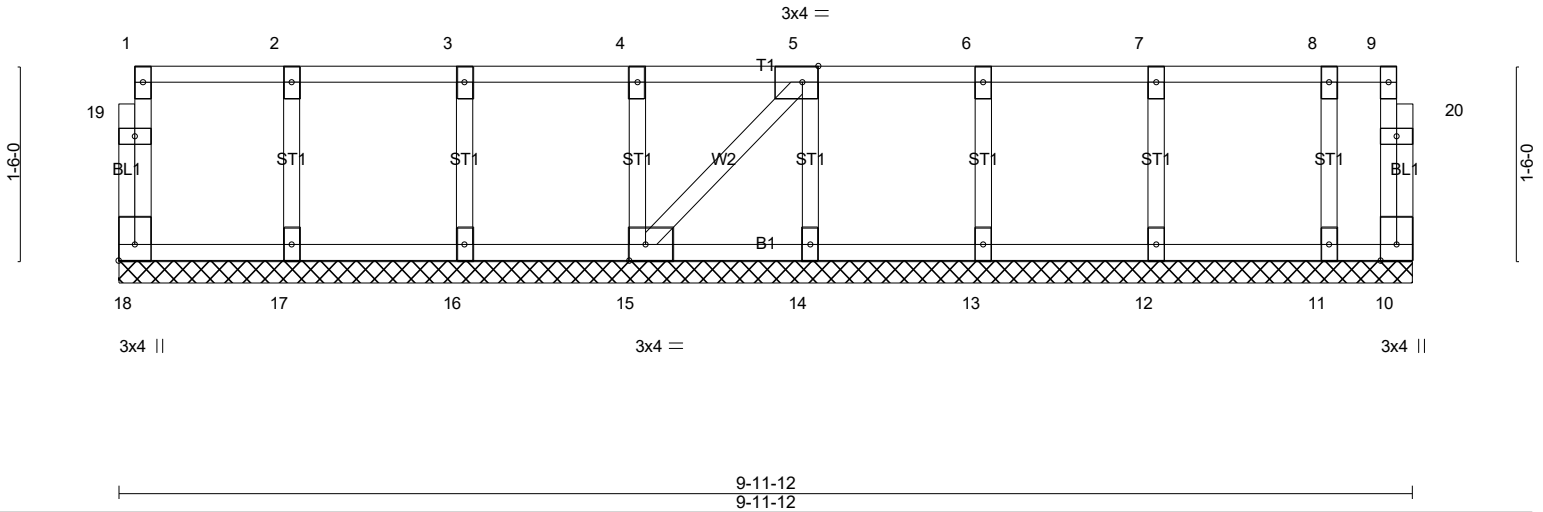


Plate Offsets (X,Y)-- [5:0-1-8,Edge], [15:0-1-8,Edge], [18:Edge,0-1-8]					
LOADING (psf)	SPACING- 2-0-0	CSI.	DEFL. in (loc) l/defl L/d	PLATES	GRIP
TCLL 40.0	Plate Grip DOL 1.00	TC 0.06	Vert(LL) n/a - n/a 999	MT20	244/190
TCDL 10.0	Lumber DOL 1.00	BC 0.01	Vert(CT) n/a - n/a 999		
BCLL 0.0	Rep Stress Incr YES	WB 0.03	Horz(CT) 0.00 10 n/a n/a		
BCDL 5.0	Code IRC2018/TPI2014	Matrix-SH		Weight: 52 lb	FT = 0%F, 0%E

LUMBER-
TOP CHORD 2x4 SP No.1(flat)
BOT CHORD 2x4 SP No.1(flat)
WEBS 2x4 SP No.3(flat)
OTHERS 2x4 SP No.3(flat)

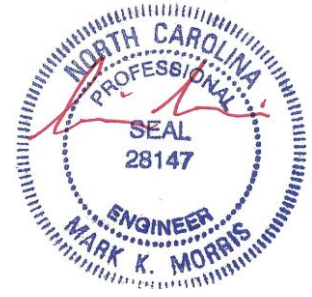
BRACING-
TOP CHORD Structural wood sheathing directly applied or 6-0-0 oc purlins, except end verticals.
BOT CHORD Rigid ceiling directly applied or 10-0-0 oc bracing.

REACTIONS. All bearings 9-11-12.
(lb) - Max Grav All reactions 250 lb or less at joint(s) 18, 10, 17, 16, 15, 14, 13, 12, 11

FORCES. (lb) - Max. Comp./Max. Ten. - All forces 250 (lb) or less except when shown.

- NOTES-** (7-8)
- All plates are 1.5x3 MT20 unless otherwise indicated.
 - Gable requires continuous bottom chord bearing.
 - Truss to be fully sheathed from one face or securely braced against lateral movement (i.e. diagonal web).
 - Gable studs spaced at 1-4-0 oc.
 - This truss is designed in accordance with the 2018 International Residential Code sections R502.11.1 and R802.10.2 and referenced standard ANSI/TPI 1.
 - Recommend 2x6 strongbacks, on edge, spaced at 10-0-0 oc and fastened to each truss with 3-10d (0.131" X 3") nails. Strongbacks to be attached to walls at their outer ends or restrained by other means.
 - Graphical web bracing representation does not depict the size, type or the orientation of the brace on the web. Symbol only indicates that the member must be braced.
 - Bearing symbols are only graphical representations of a possible bearing condition. Bearing symbols are not considered in the structural design of the truss to support the loads indicated.

LOAD CASE(S) Standard

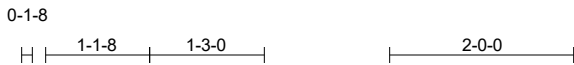


4/21/2021

Warning !—Verify design parameters and read notes before use. This design is based only upon parameters shown, and is for an individual building component to be installed and loaded vertically. Applicability of design parameters and proper incorporation of component is responsibility of building designer – not truss designer or truss engineer. Bracing shown is for lateral support of individual web members only. Additional temporary bracing to ensure stability during construction is the responsibility of the erector. Additional permanent bracing of the overall structure is the responsibility of the building designer. For general guidance regarding fabrication, quality control, storage, delivery, erection and bracing, consult ANSI/TPI 1 *National Design Standard for Metal Plate Connected Wood Truss Construction* and BCSI 1-03 *Guide to Good Practice for Handling, Installing & Bracing of Metal Plate Connected Wood Trusses* from Truss Plate Institute, 583 D'Onofrio Drive, Madison, WI 53719.

Job 21-1987-F02	Truss F05	Truss Type Floor	Qty 3	Ply 1	LOT 1154 CARRIAGE CIRCLE 150 SPRUCE HOLLOW CIRCLE SPRING LAKE, N	# 26541
--------------------	--------------	---------------------	----------	----------	--	---------

8.430 s Feb 12 2021 MiTek Industries, Inc. Wed Apr 21 21:10:38 2021 Page 1
 ID:MsMZ7fuyNIJd5IEFbR85JwyPq?g-VeJRRReEu7NAv2EU7k3XBLsw9fJCjPnLgVlK2zOOFI



0-1-8
Scale = 1:25.0

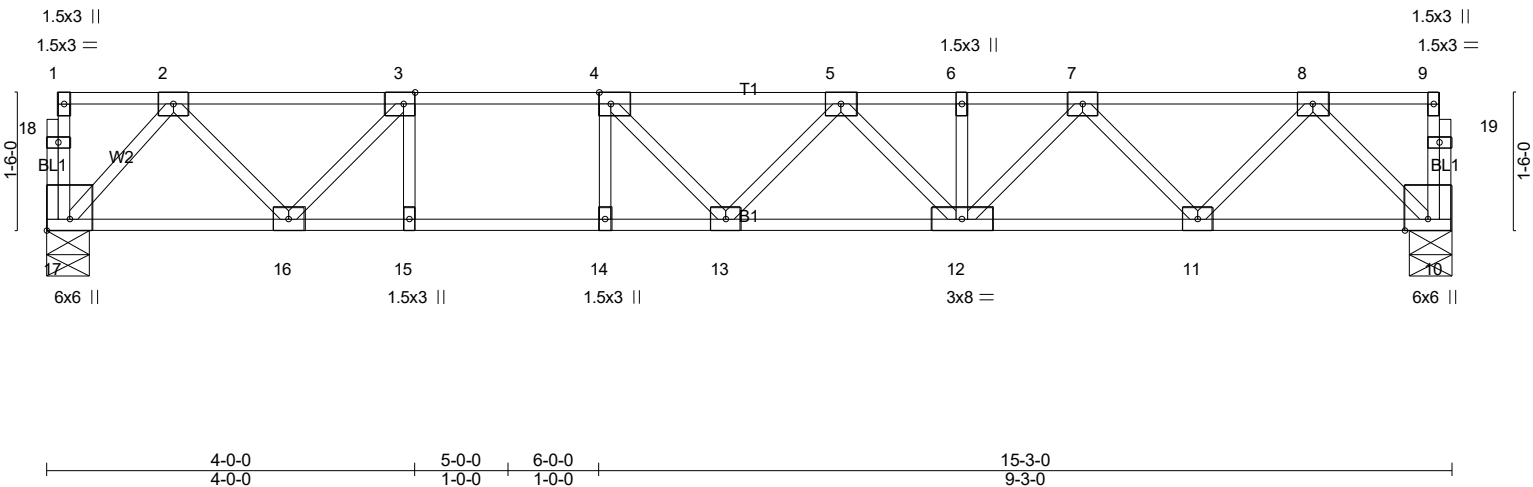


Plate Offsets (X,Y)-- [3:0-1-8,Edge], [4:0-1-8,Edge], [17:Edge,0-3-0]

LOADING (psf)	SPACING-	CSI.	DEFL.	PLATES	GRIP
TCLL 40.0	2-0-0	TC 0.80	in (loc) l/defl L/d	MT20	244/190
TCDL 10.0	Plate Grip DOL 1.00	BC 0.87	Vert(LL) -0.24 13-14 >741 480		
BCLL 0.0	Lumber DOL 1.00	WB 0.39	Vert(CT) -0.33 13-14 >553 360		
BCDL 5.0	Rep Stress Incr YES	Matrix-SH	Horz(CT) 0.03 10 n/a n/a		
	Code IRC2018/TPI2014			Weight: 84 lb	FT = 0%F, 0%E

LUMBER-
 TOP CHORD 2x4 SP No.1(flat)
 BOT CHORD 2x4 SP SS(flat)
 WEBS 2x4 SP No.3(flat)

BRACING-
 TOP CHORD Structural wood sheathing directly applied or 6-0-0 oc purlins, except end verticals.
 BOT CHORD Rigid ceiling directly applied or 10-0-0 oc bracing.

REACTIONS. (lb/size) 17=819/0-5-8 (min. 0-1-8), 10=819/0-5-8 (min. 0-1-8)

FORCES. (lb) - Max. Comp./Max. Ten. - All forces 250 (lb) or less except when shown.
 TOP CHORD 2-3=-1229/0, 3-4=-1959/0, 4-5=-2214/0, 5-6=-2019/0, 6-7=-2019/0, 7-8=-1277/0
 BOT CHORD 16-17=0/674, 15-16=0/1959, 14-15=0/1959, 13-14=0/1959, 12-13=0/2273, 11-12=0/1749, 10-11=0/775
 WEBS 3-15=0/420, 4-14=-392/0, 3-16=-1057/0, 2-16=0/825, 2-17=-998/0, 4-13=-56/479, 5-12=-368/0, 7-12=0/391,
 7-11=-701/0, 8-11=0/746, 8-10=-1094/0

- NOTES-** (5-6)
- Unbalanced floor live loads have been considered for this design.
 - All plates are 3x4 MT20 unless otherwise indicated.
 - This truss is designed in accordance with the 2018 International Residential Code sections R502.11.1 and R802.10.2 and referenced standard ANSI/TPI 1.
 - Recommend 2x6 strongbacks, on edge, spaced at 10-0-0 oc and fastened to each truss with 3-10d (0.131" X 3") nails. Strongbacks to be attached to walls at their outer ends or restrained by other means.
 - Graphical web bracing representation does not depict the size, type or the orientation of the brace on the web. Symbol only indicates that the member must be braced.
 - Bearing symbols are only graphical representations of a possible bearing condition. Bearing symbols are not considered in the structural design of the truss to support the loads indicated.

LOAD CASE(S) Standard



4/21/2021

Warning!—Verify design parameters and read notes before use. This design is based only upon parameters shown, and is for an individual building component to be installed and loaded vertically. Applicability of design parameters and proper incorporation of component is responsibility of building designer – not truss designer or truss engineer. Bracing shown is for lateral support of individual web members only. Additional temporary bracing to ensure stability during construction is the responsibility of the erector. Additional permanent bracing of the overall structure is the responsibility of the building designer. For general guidance regarding fabrication, quality control, storage, delivery, erection and bracing, consult ANSI/TPI 1 *National Design Standard for Metal Plate Connected Wood Truss Construction* and BCSI 1-03 *Guide to Good Practice for Handling, Installing & Bracing of Metal Plate Connected Wood Trusses* from Truss Plate Institute, 583 D'Onofrio Drive, Madison, WI 53719.

Job 21-1987-F02	Truss F06	Truss Type Floor	Qty 1	Ply 1	LOT 1154 CARRIAGE CIRCLE 150 SPRUCE HOLLOW CIRCLE SPRING LAKE, N
Job Reference (optional)					# 26541

8.430 s Feb 12 2021 MiTek Industries, Inc. Wed Apr 21 21:10:39 2021 Page 1
ID:MsMZ7fuyNIJd5IEFbR85JwyPq?q-8hCienfsfQV1XCphhRamkY?DF3r7Sv7UVZ4HHUzOOFk

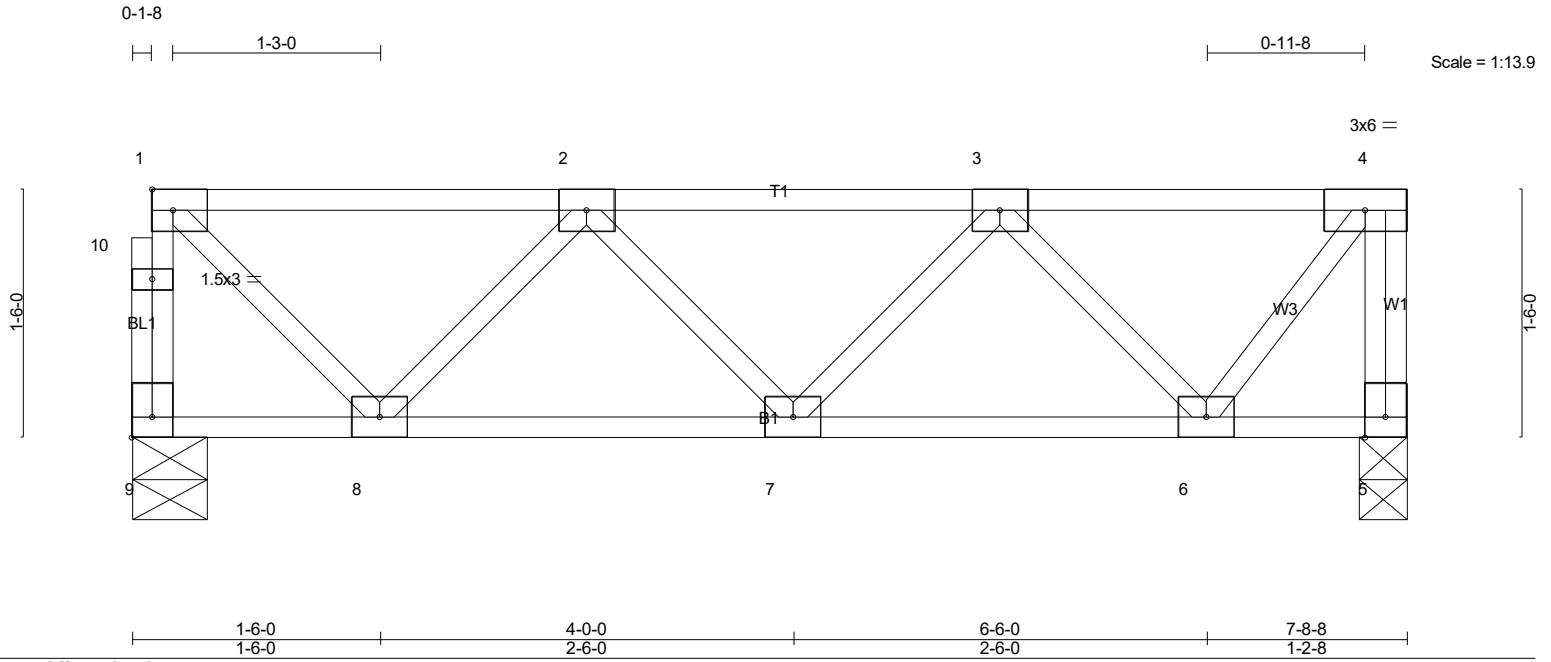


Plate Offsets (X,Y)-- [9:Edge,0-1-8]		CSI		DEFL.		PLATES		GRIP	
LOADING (psf)	SPACING-	2-0-0	TC	in	(loc)	l/defl	L/d	MT20	244/190
TCLL 40.0	Plate Grip DOL	1.00	0.26	Vert(LL)	-0.01	7	>999	480	
TCDL 10.0	Lumber DOL	1.00	0.12	Vert(CT)	-0.01	7	>999	360	
BCLL 0.0	Rep Stress Incr	YES	0.19	Horz(CT)	0.00	5	n/a	n/a	
BCDL 5.0	Code IRC2018/TPI2014		Matrix-P						
						Weight: 45 lb		FT = 0%F, 0%E	

LUMBER-	BRACING-
TOP CHORD 2x4 SP No.1(flat)	TOP CHORD Structural wood sheathing directly applied or 6-0-0 oc purlins, except end verticals.
BOT CHORD 2x4 SP No.1(flat)	BOT CHORD Rigid ceiling directly applied or 10-0-0 oc bracing.
WEBS 2x4 SP No.3(flat)	

REACTIONS. (lb/size) 9=404/0-5-8 (min. 0-1-8), 5=410/0-3-8 (min. 0-1-8)

FORCES. (lb) - Max. Comp./Max. Ten. - All forces 250 (lb) or less except when shown.
 TOP CHORD 9-10=-399/0, 1-10=-399/0, 4-5=-407/0, 1-2=-301/0, 2-3=-545/0
 BOT CHORD 7-8=0/551, 6-7=0/515
 WEBS 1-8=0/409, 2-8=-372/0, 3-6=-398/0, 4-6=0/400

- NOTES-** (5-6)
- All plates are 3x4 MT20 unless otherwise indicated.
 - This truss is designed in accordance with the 2018 International Residential Code sections R502.11.1 and R802.10.2 and referenced standard ANSI/TPI 1.
 - Recommend 2x6 strongbacks, on edge, spaced at 10-0-0 oc and fastened to each truss with 3-10d (0.131" X 3") nails. Strongbacks to be attached to walls at their outer ends or restrained by other means.
 - CAUTION, Do not erect truss backwards.
 - Graphical web bracing representation does not depict the size, type or the orientation of the brace on the web. Symbol only indicates that the member must be braced.
 - Bearing symbols are only graphical representations of a possible bearing condition. Bearing symbols are not considered in the structural design of the truss to support the loads indicated.

LOAD CASE(S) Standard

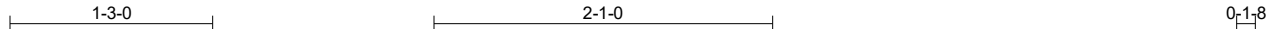


4/21/2021

Warning !—Verify design parameters and read notes before use. This design is based only upon parameters shown, and is for an individual building component to be installed and loaded vertically. Applicability of design parameters and proper incorporation of component is responsibility of building designer – not truss designer or truss engineer. Bracing shown is for lateral support of individual web members only. Additional temporary bracing to ensure stability during construction is the responsibility of the erector. Additional permanent bracing of the overall structure is the responsibility of the building designer. For general guidance regarding fabrication, quality control, storage, delivery, erection and bracing, consult ANSI/TPI 1 *National Design Standard for Metal Plate Connected Wood Truss Construction* and BCSI 1-03 *Guide to Good Practice for Handling, Installing & Bracing of Metal Plate Connected Wood Trusses* from Truss Plate Institute, 583 D'Onofrio Drive, Madison, WI 53719.

Job 21-1987-F02	Truss F07	Truss Type Floor	Qty 5	Ply 1	LOT 1154 CARRIAGE CIRCLE 150 SPRUCE HOLLOW CIRCLE SPRING LAKE, N
Job Reference (optional)					# 26541

8.430 s Feb 12 2021 MiTek Industries, Inc. Wed Apr 21 21:10:39 2021 Page 1
 ID:MsMZ7fuyNIJd5IEFbR85JwyPq?q-8hCienfsfQV1XCphhRamkY?C_3oOSv0UVZ4HHUzOOFk



Scale = 1:14.3

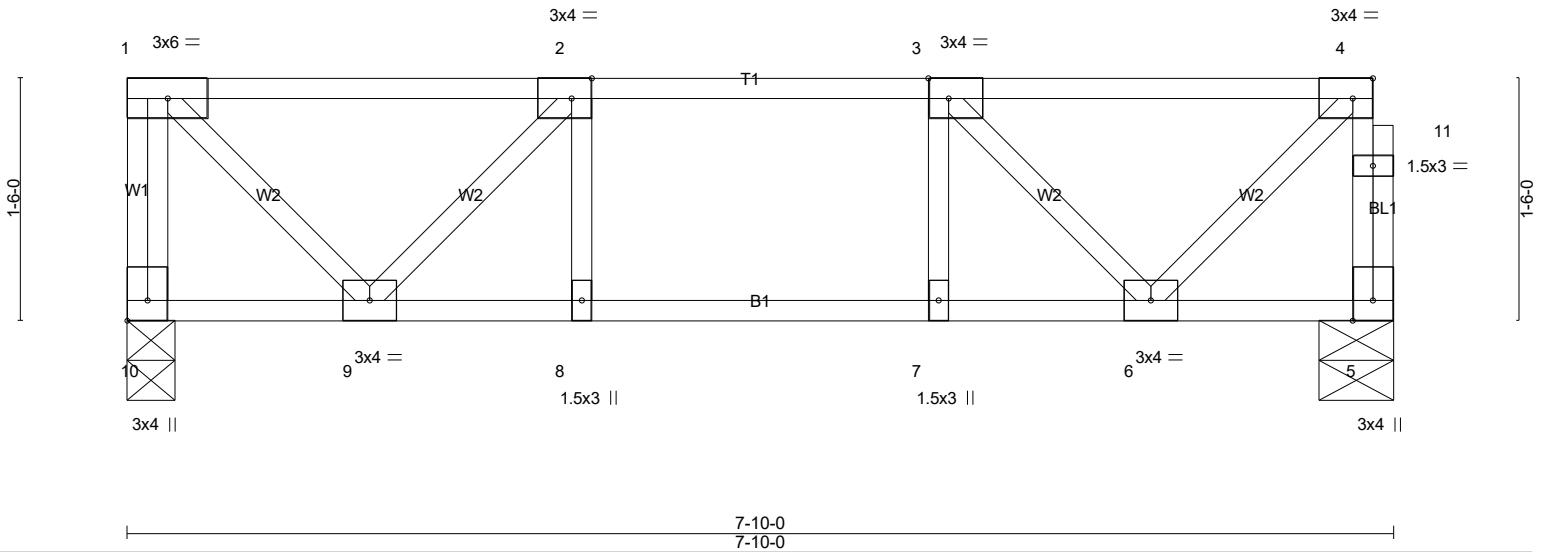


Plate Offsets (X,Y)-- [2:0-1-8,Edge], [3:0-1-8,Edge], [4:0-1-8,Edge], [10:Edge,0-1-8]

LOADING (psf)	SPACING-	CSI.	DEFL.	in	(loc)	l/defl	L/d	PLATES	GRIP
TCLL 40.0	2-0-0	TC 0.34	Vert(LL)	-0.03	8	>999	480	MT20	244/190
TCDL 10.0	Plate Grip DOL 1.00	BC 0.29	Vert(CT)	-0.04	8	>999	360		
BCLL 0.0	Lumber DOL 1.00	WB 0.20	Horz(CT)	0.00	5	n/a	n/a		
BCDL 5.0	Rep Stress Incr YES	Matrix-SH							
	Code IRC2018/TPI2014							Weight: 45 lb	FT = 0%F, 0%E

LUMBER-
 TOP CHORD 2x4 SP No.1(flat)
 BOT CHORD 2x4 SP No.1(flat)
 WEBS 2x4 SP No.3(flat)

BRACING-
 TOP CHORD Structural wood sheathing directly applied or 6-0-0 oc purlins, except end verticals.
 BOT CHORD Rigid ceiling directly applied or 10-0-0 oc bracing.

REACTIONS. (lb/size) 10=417/0-3-8 (min. 0-1-8), 5=411/0-5-8 (min. 0-1-8)

FORCES. (lb) - Max. Comp./Max. Ten. - All forces 250 (lb) or less except when shown.
 TOP CHORD 1-10=-411/0, 5-11=-405/0, 4-11=-404/0, 1-2=-299/0, 2-3=-571/0, 3-4=-300/0
 BOT CHORD 8-9=0/571, 7-8=0/571, 6-7=0/571
 WEBS 4-6=0/409, 1-9=0/423, 3-6=-392/0, 2-9=-393/0

- NOTES-** (5-6)
- Unbalanced floor live loads have been considered for this design.
 - This truss is designed in accordance with the 2018 International Residential Code sections R502.11.1 and R802.10.2 and referenced standard ANSI/TPI 1.
 - Recommend 2x6 strongbacks, on edge, spaced at 10-0-0 oc and fastened to each truss with 3-10d (0.131" X 3") nails. Strongbacks to be attached to walls at their outer ends or restrained by other means.
 - CAUTION, Do not erect truss backwards.
 - Graphical web bracing representation does not depict the size, type or the orientation of the brace on the web. Symbol only indicates that the member must be braced.
 - Bearing symbols are only graphical representations of a possible bearing condition. Bearing symbols are not considered in the structural design of the truss to support the loads indicated.

LOAD CASE(S) Standard



4/21/2021

Warning !—Verify design parameters and read notes before use. This design is based only upon parameters shown, and is for an individual building component to be installed and loaded vertically. Applicability of design parameters and proper incorporation of component is responsibility of building designer – not truss designer or truss engineer. Bracing shown is for lateral support of individual web members only. Additional temporary bracing to ensure stability during construction is the responsibility of the erector. Additional permanent bracing of the overall structure is the responsibility of the building designer. For general guidance regarding fabrication, quality control, storage, delivery, erection and bracing, consult ANSI/TPI 1 *National Design Standard for Metal Plate Connected Wood Truss Construction* and BCSI 1-03 *Guide to Good Practice for Handling, Installing & Bracing of Metal Plate Connected Wood Trusses* from Truss Plate Institute, 583 D'Onofrio Drive, Madison, WI 53719.

Job 21-1987-F02	Truss F08	Truss Type Floor Supported Gable	Qty 1	Ply 1	LOT 1154 CARRIAGE CIRCLE 150 SPRUCE HOLLOW CIRCLE SPRING LAKE, N
Job Reference (optional)					# 26541

8.430 s Feb 12 2021 MiTek Industries, Inc. Wed Apr 21 21:10:40 2021 Page 1
 ID:MsMZ7fuyNIJd5IEFbR85JwyPq?q-ctm4s7fJQkdu8MOf95?HmXRCTC5BPwekDqrqzwOOFJ

0-1-8

0-1-8

Scale = 1:14.1

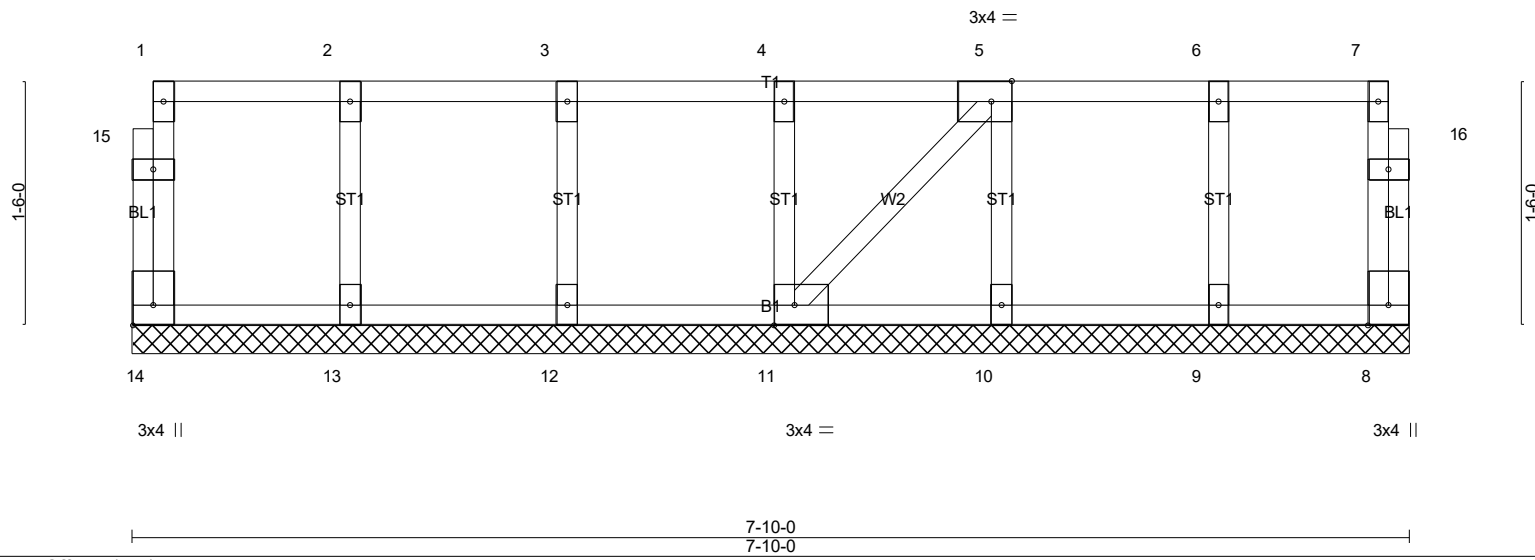


Plate Offsets (X,Y)-- [5:0-1-8,Edge], [11:0-1-8,Edge], [14:Edge,0-1-8]							
LOADING (psf)	SPACING- 2-0-0	CSI.	DEFL. in (loc)	l/defl	L/d	PLATES	GRIP
TCLL 40.0	Plate Grip DOL 1.00	TC 0.06	Vert(LL) n/a	-	n/a	MT20	244/190
TCDL 10.0	Lumber DOL 1.00	BC 0.01	Vert(CT) n/a	-	n/a		
BCLL 0.0	Rep Stress Incr YES	WB 0.03	Horz(CT) 0.00	8	n/a		
BCDL 5.0	Code IRC2018/TPI2014	Matrix-P				Weight: 42 lb	FT = 0%F, 0%E

LUMBER-	BRACING-
TOP CHORD 2x4 SP No.1(flat)	TOP CHORD Structural wood sheathing directly applied or 6-0-0 oc purlins, except end verticals.
BOT CHORD 2x4 SP No.1(flat)	BOT CHORD Rigid ceiling directly applied or 10-0-0 oc bracing.
WEBS 2x4 SP No.3(flat)	
OTHERS 2x4 SP No.3(flat)	

REACTIONS. All bearings 7-10-0.
 (lb) - Max Grav All reactions 250 lb or less at joint(s) 14, 8, 13, 12, 11, 10, 9

FORCES. (lb) - Max. Comp./Max. Ten. - All forces 250 (lb) or less except when shown.

- NOTES-** (7-8)
- 1) All plates are 1.5x3 MT20 unless otherwise indicated.
 - 2) Gable requires continuous bottom chord bearing.
 - 3) Truss to be fully sheathed from one face or securely braced against lateral movement (i.e. diagonal web).
 - 4) Gable studs spaced at 1-4-0 oc.
 - 5) This truss is designed in accordance with the 2018 International Residential Code sections R502.11.1 and R802.10.2 and referenced standard ANSI/TPI 1.
 - 6) Recommend 2x6 strongbacks, on edge, spaced at 10-0-0 oc and fastened to each truss with 3-10d (0.131" X 3") nails. Strongbacks to be attached to walls at their outer ends or restrained by other means.
 - 7) Graphical web bracing representation does not depict the size, type or the orientation of the brace on the web. Symbol only indicates that the member must be braced.
 - 8) Bearing symbols are only graphical representations of a possible bearing condition. Bearing symbols are not considered in the structural design of the truss to support the loads indicated.

LOAD CASE(S) Standard



4/21/2021

Warning !—Verify design parameters and read notes before use. This design is based only upon parameters shown, and is for an individual building component to be installed and loaded vertically. Applicability of design parameters and proper incorporation of component is responsibility of building designer – not truss designer or truss engineer. Bracing shown is for lateral support of individual web members only. Additional temporary bracing to ensure stability during construction is the responsibility of the erector. Additional permanent bracing of the overall structure is the responsibility of the building designer. For general guidance regarding fabrication, quality control, storage, delivery, erection and bracing, consult ANSI/TPI 1 *National Design Standard for Metal Plate Connected Wood Truss Construction* and BCSI 1-03 *Guide to Good Practice for Handling, Installing & Bracing of Metal Plate Connected Wood Trusses* from Truss Plate Institute, 583 D*Onofrio Drive, Madison, WI 53719.