

RE: J0421-2521
 Lot 3 Atkins Farm Estates

Trenco
 818 Soundside Rd
 Edenton, NC 27932

Site Information:

Customer: Project Name: J0421-2521
 Lot/Block: Model:
 Address: Subdivision:
 City: State:

General Truss Engineering Criteria & Design Loads (Individual Truss Design Drawings Show Special Loading Conditions):

Design Code: IRC2009/TPI2007 Design Program: MiTek 20/20 8.3
 Wind Code: N/A Wind Speed: N/A mph
 Roof Load: N/A psf Floor Load: 55.0 psf

This package includes 15 individual, dated Truss Design Drawings and 0 Additional Drawings.

No.	Seal#	Truss Name	Date
1	E14466393	F01	4/21/2021
2	E14466394	F03	4/21/2021
3	E14466395	F04	4/21/2021
4	E14466396	F05	4/21/2021
5	E14466397	F06	4/21/2021
6	E14466398	F07	4/21/2021
7	E14466399	F08	4/21/2021
8	E14466400	F09	4/21/2021
9	E14466401	F10	4/21/2021
10	E14466402	F11	4/21/2021
11	E14466403	F12	4/21/2021
12	E14466404	KW	4/21/2021
13	E14466405	KW1	4/21/2021
14	E14466406	KW2	4/21/2021
15	E14466407	KW3	4/21/2021

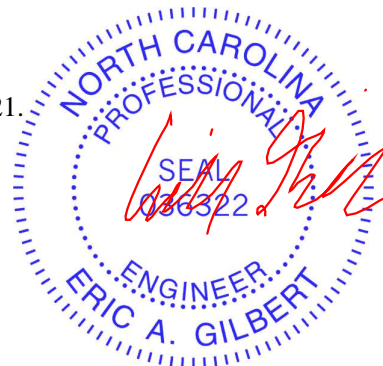
The truss drawing(s) referenced above have been prepared by Truss Engineering Co. under my direct supervision based on the parameters provided by Comtech, Inc - Fayetteville.

Truss Design Engineer's Name: Gilbert, Eric

My license renewal date for the state of North Carolina is December 31, 2021.

North Carolina COA: C-0844

IMPORTANT NOTE: The seal on these truss component designs is a certification that the engineer named is licensed in the jurisdiction(s) identified and that the designs comply with ANSI/TPI 1. These designs are based upon parameters shown (e.g., loads, supports, dimensions, shapes and design codes), which were given to TRENCO. Any project specific information included is for TRENCO customers file reference purpose only, and was not taken into account in the preparation of these designs. TRENCO has not independently verified the applicability of the design parameters or the designs for any particular building. Before use, the building designer should verify applicability of design parameters and properly incorporate these designs into the overall building design per ANSI/TPI 1, Chapter 2.

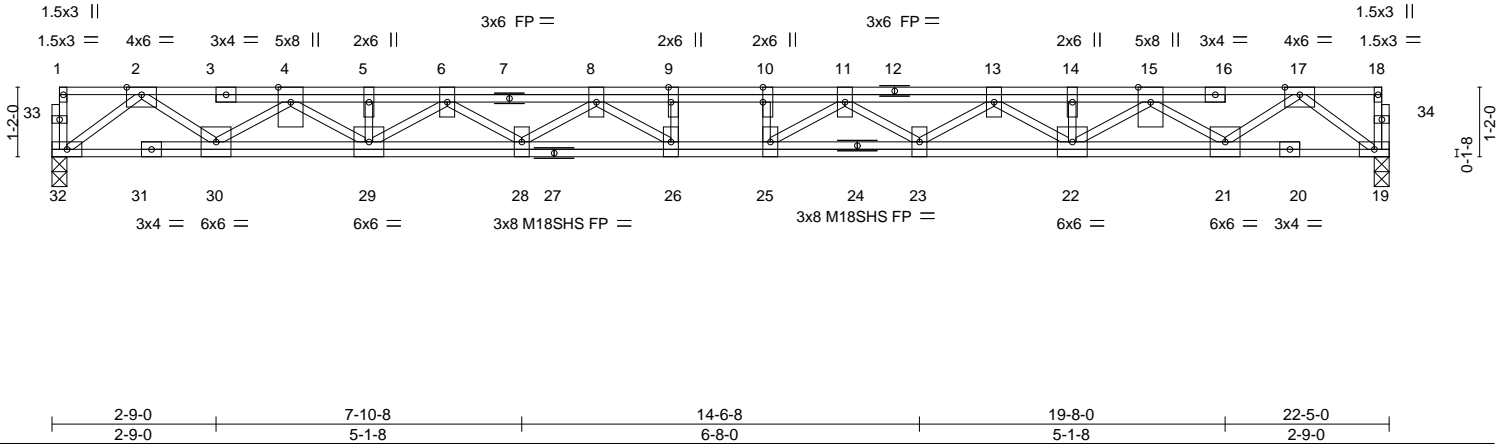
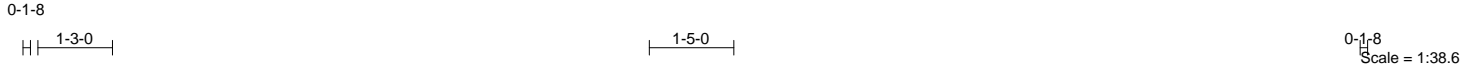


April 21, 2021

Job J0421-2521	Truss F01	Truss Type FLOOR	Qty 8	Ply 1	Lot 3 Atkins Farm Estates Job Reference (optional)	E14466393
-------------------	--------------	---------------------	----------	----------	---	-----------

Comtech, Inc, Fayetteville, NC - 28314,

8.330 s May 6 2020 MiTek Industries, Inc. Tue Jun 2 13:45:01 2020 Page 1
ID:BoL?hgXglYpqwdOiyUmcQyz41fz-nTDu7vePtt9hhd97IX4gt11PihGhouhJraZdbzzAltG



LOADING (psf)	SPACING-	CSI.	DEFL.	PLATES	GRIP
TCLL 40.0	Plate Grip DOL 1.00	TC 0.12	Vert(LL) -0.30 25-26 >889 480	MT20	244/190
TCDL 10.0	Lumber DOL 1.00	BC 0.31	Vert(CT) -0.41 25-26 >646 360	M18SHS	244/190
BCLL 0.0	Rep Stress Incr YES	WB 0.63	Horz(CT) 0.06 19 n/a n/a		
BCDL 5.0	Code IRC2015/TPI2014	Matrix-S			
				Weight: 164 lb	FT = 20%F, 11%E

LUMBER-
TOP CHORD 2x4 SP 2400F 2.0E(flat)
BOT CHORD 2x4 SP 2400F 2.0E(flat)
WEBS 2x4 SP No.3(flat)

BRACING-
TOP CHORD Structural wood sheathing directly applied or 6-0-0 oc purlins, except end verticals.
BOT CHORD Rigid ceiling directly applied or 10-0-0 oc bracing.

REACTIONS. (size) 32=0-3-0, 19=0-3-0
Max Grav 32=970(LC 1), 19=970(LC 1)

FORCES. (lb) - Max. Comp./Max. Ten. - All forces 250 (lb) or less except when shown.
TOP CHORD 2-4=-2267/0, 4-5=-4172/0, 5-6=-4172/0, 6-8=-5247/0, 8-9=-5785/0, 9-10=-5785/0, 10-11=-5785/0, 11-13=-5247/0, 13-14=-4172/0, 14-15=-4172/0, 15-17=-2267/0
BOT CHORD 30-32=0/1227, 29-30=0/3336, 28-29=0/4843, 26-28=0/5628, 25-26=0/5785, 23-25=0/5628, 22-23=0/4843, 21-22=0/3336, 19-21=0/1227
WEBS 17-19=-1536/0, 2-32=-1536/0, 17-21=0/1317, 2-30=0/1317, 15-21=-1329/0, 4-30=-1329/0, 15-22=0/1021, 4-29=0/1021, 13-22=-819/0, 6-29=-819/0, 13-23=0/501, 6-28=0/501, 11-23=-483/0, 8-28=-483/0, 11-25=-216/559, 8-26=-216/559

- NOTES-**
- Unbalanced floor live loads have been considered for this design.
 - All plates are MT20 plates unless otherwise indicated.
 - All plates are 3x6 MT20 unless otherwise indicated.
 - Plates checked for a plus or minus 1 degree rotation about its center.
 - Required 2x6 strongbacks, on edge, spaced at 10-0-0 oc and fastened to each truss with 3-10d (0.131" X 3") nails. Strongbacks to be attached to walls at their outer ends or restrained by other means.



June 2, 2020

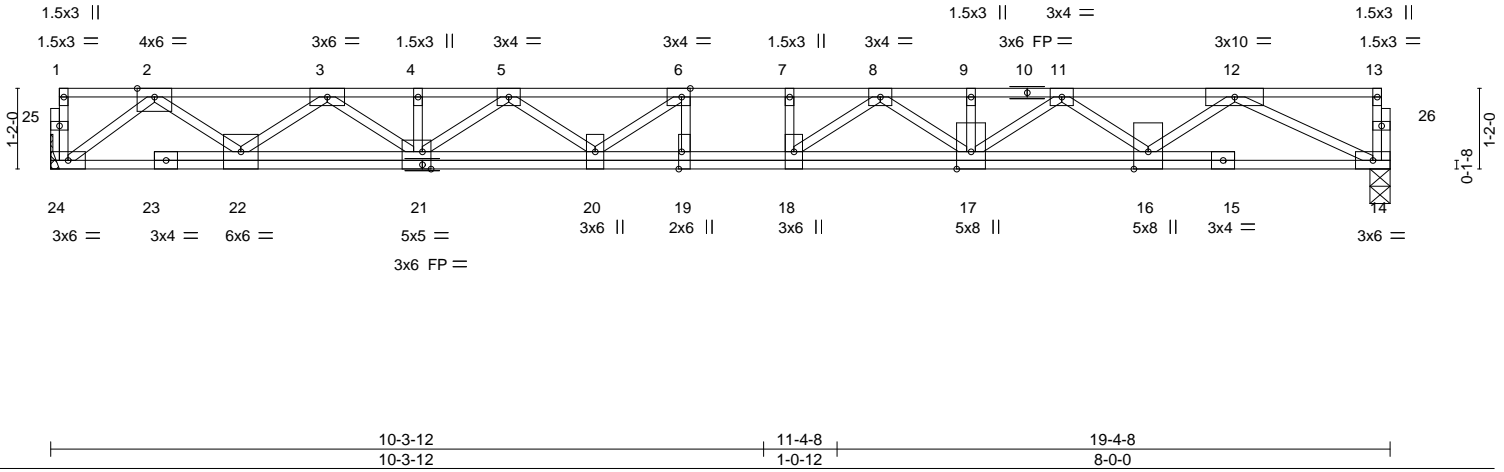
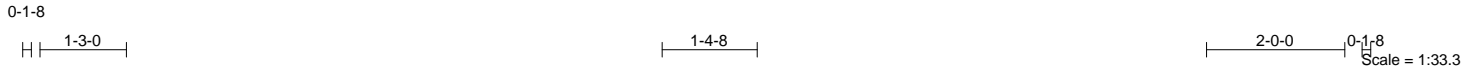
WARNING - Verify design parameters and READ NOTES ON THIS AND INCLUDED MITEK REFERENCE PAGE MII-7473 rev. 5/19/2020 BEFORE USE.
Design valid for use only with MiTek® connectors. This design is based only upon parameters shown, and is for an individual building component, not a truss system. Before use, the building designer must verify the applicability of design parameters and properly incorporate this design into the overall building design. Bracing indicated is to prevent buckling of individual truss web and/or chord members only. Additional temporary and permanent bracing is always required for stability and to prevent collapse with possible personal injury and property damage. For general guidance regarding the fabrication, storage, delivery, erection and bracing of trusses and truss systems, see **ANSI/TPI1 Quality Criteria, DSB-89 and BCSI Building Component Safety Information** available from Truss Plate Institute, 2670 Crain Highway, Suite 203 Waldorf, MD 20601

ENGINEERING BY
TRENCO
A MiTek Affiliate
818 Soundside Road
Edenton, NC 27932

Job J0421-2521	Truss F03	Truss Type FLOOR	Qty 7	Ply 1	Lot 3 Atkins Farm Estates Job Reference (optional)	E14466394
-------------------	--------------	---------------------	----------	----------	---	-----------

Comtech, Inc, Fayetteville, NC - 28314,

8.330 s May 6 2020 MiTek Industries, Inc. Tue Jun 2 13:45:02 2020 Page 1
ID:BoL?hgXglYpqwdOiyUmcQyz41fz-FfmGLF2eAHYJnkJsFbvQFaUG5ahXLBs4EIA7PzAltF



LOADING (psf)	SPACING-	CSI.	DEFL.	in (loc)	l/defl	L/d	PLATES	GRIP
TCLL 40.0	Plate Grip DOL 1.00	TC 0.39	Vert(LL) -0.28	19	>826	480	MT20	244/190
TCDL 10.0	Lumber DOL 1.00	BC 0.32	Vert(CT) -0.38	19	>602	360		
BCLL 0.0	Rep Stress Incr YES	WB 0.61	Horz(CT) 0.05	14	n/a	n/a		
BCDL 5.0	Code IRC2015/TPI2014	Matrix-S						
							Weight: 120 lb	FT = 20%F, 11%E

LUMBER-
 TOP CHORD 2x4 SP 2400F 2.0E(flat)
 BOT CHORD 2x4 SP 2400F 2.0E(flat)
 WEBS 2x4 SP No.3(flat)

BRACING-
 TOP CHORD Structural wood sheathing directly applied or 6-0-0 oc purlins, except end verticals.
 BOT CHORD Rigid ceiling directly applied or 10-0-0 oc bracing.

REACTIONS. (size) 24=Mechanical, 14=0-3-8
 Max Grav 24=1046(LC 1), 14=1046(LC 1)

FORCES. (lb) - Max. Comp./Max. Ten. - All forces 250 (lb) or less except when shown.
 TOP CHORD 2-3=-2347/0, 3-4=-4043/0, 4-5=-4040/0, 5-6=-4852/0, 6-7=-5063/0, 7-8=-5063/0,
 8-9=-4353/0, 9-11=-4353/0, 11-12=-2866/0
 BOT CHORD 22-24=0/1335, 21-22=0/3312, 20-21=0/4601, 19-20=0/5063, 18-19=0/5063, 17-18=0/4812,
 16-17=0/3736, 14-16=0/1964
 WEBS 2-24=-1673/0, 2-22=0/1285, 3-22=-1226/0, 3-21=0/897, 5-21=-713/0, 5-20=0/445,
 6-20=-593/162, 6-19=-277/217, 12-14=-2182/0, 12-16=0/1147, 11-16=-1105/0,
 11-17=0/769, 8-17=-605/0, 8-18=-83/605

- NOTES-**
- 1) Unbalanced floor live loads have been considered for this design.
 - 2) Plates checked for a plus or minus 1 degree rotation about its center.
 - 3) Refer to girder(s) for truss to truss connections.
 - 4) Recommend 2x6 strongbacks, on edge, spaced at 10-0-0 oc and fastened to each truss with 3-10d (0.131" X 3") nails. Strongbacks to be attached to walls at their outer ends or restrained by other means.



June 2, 2020

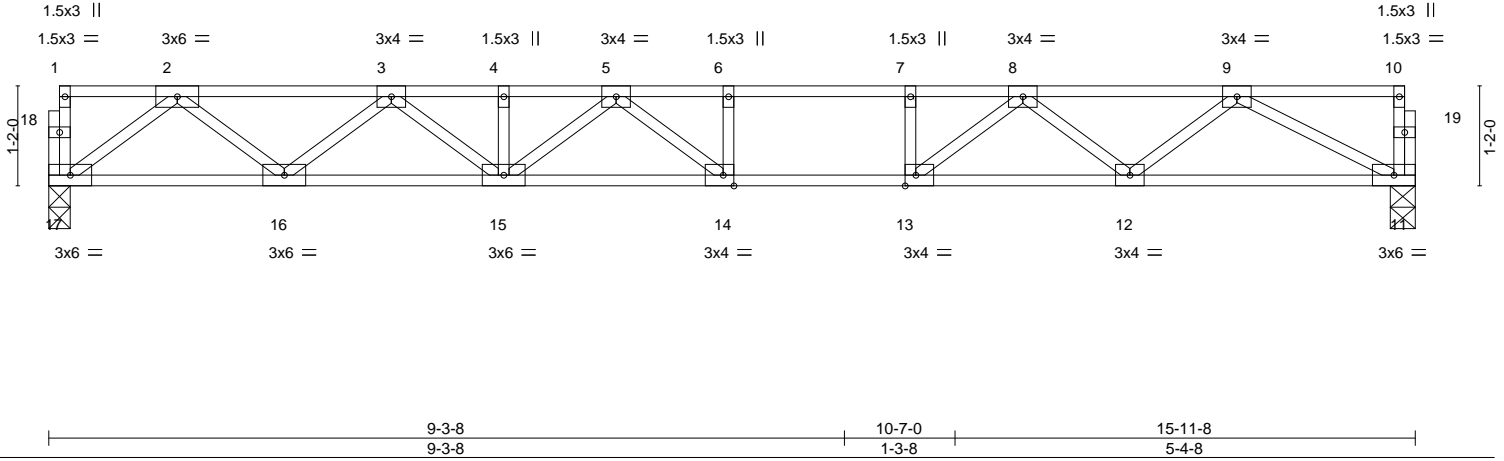
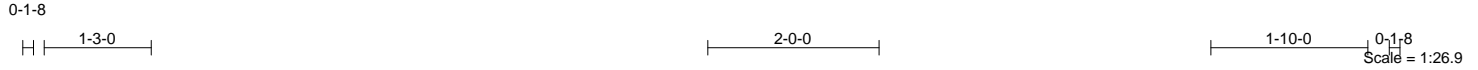
WARNING - Verify design parameters and READ NOTES ON THIS AND INCLUDED MITEK REFERENCE PAGE MII-7473 rev. 5/19/2020 BEFORE USE.
 Design valid for use only with MiTek® connectors. This design is based only upon parameters shown, and is for an individual building component, not a truss system. Before use, the building designer must verify the applicability of design parameters and properly incorporate this design into the overall building design. Bracing indicated is to prevent buckling of individual truss web and/or chord members only. Additional temporary and permanent bracing is always required for stability and to prevent collapse with possible personal injury and property damage. For general guidance regarding the fabrication, storage, delivery, erection and bracing of trusses and truss systems, see **ANSI/TPI1 Quality Criteria, DSB-89 and BCSI Building Component Safety Information** available from Truss Plate Institute, 2670 Crain Highway, Suite 203 Waldorf, MD 20601

ENGINEERING BY
TRENCO
 A MiTek Affiliate
 818 Soundside Road
 Edenton, NC 27932

Job J0421-2521	Truss F04	Truss Type FLOOR	Qty 3	Ply 1	Lot 3 Atkins Farm Estates Job Reference (optional)	E14466395
-------------------	--------------	---------------------	----------	----------	---	-----------

Comtech, Inc, Fayetteville, NC - 28314,

8.330 s May 6 2020 MiTek Industries, Inc. Tue Jun 2 13:45:03 2020 Page 1
ID:BoL?hgXglYpQwdOiyUmcQyz41fz-jsKfybggOUPPxxwJVQy68yS6aXVoxGqA?Ju2jfszAltE



LOADING (psf)	SPACING-	CSI.	DEFL.	PLATES	GRIP
TCLL 40.0	Plate Grip DOL 1.00	TC 0.74	Vert(LL) -0.24 14-15 >785 480	MT20	244/190
TCDL 10.0	Lumber DOL 1.00	BC 0.90	Vert(CT) -0.33 14-15 >570 360		
BCLL 0.0	Rep Stress Incr YES	WB 0.44	Horz(CT) 0.05 11 n/a n/a		
BCDL 5.0	Code IRC2015/TPI2014	Matrix-S		Weight: 80 lb	FT = 20%F, 11%E

LUMBER-
TOP CHORD 2x4 SP No.1(flat)
BOT CHORD 2x4 SP No.1(flat)
WEBS 2x4 SP No.3(flat)

BRACING-
TOP CHORD Structural wood sheathing directly applied or 6-0-0 oc purlins, except end verticals.
BOT CHORD Rigid ceiling directly applied or 10-0-0 oc bracing.

REACTIONS. (size) 17=0-3-0, 11=0-3-8
Max Grav 17=858(LC 1), 11=858(LC 1)

FORCES. (lb) - Max. Comp./Max. Ten. - All forces 250 (lb) or less except when shown.
TOP CHORD 2-3=-1774/0, 3-4=-2887/0, 4-5=-2887/0, 5-6=-3157/0, 6-7=-3157/0, 7-8=-3157/0, 8-9=-2067/0
BOT CHORD 16-17=0/1070, 15-16=0/2453, 14-15=0/3153, 13-14=0/3157, 12-13=0/2674, 11-12=0/1453
WEBS 2-17=-1340/0, 2-16=0/916, 3-16=-884/0, 3-15=0/554, 5-15=-340/0, 5-14=-241/390, 9-11=-1641/0, 9-12=0/799, 8-12=-790/0, 8-13=0/814, 7-13=-365/0

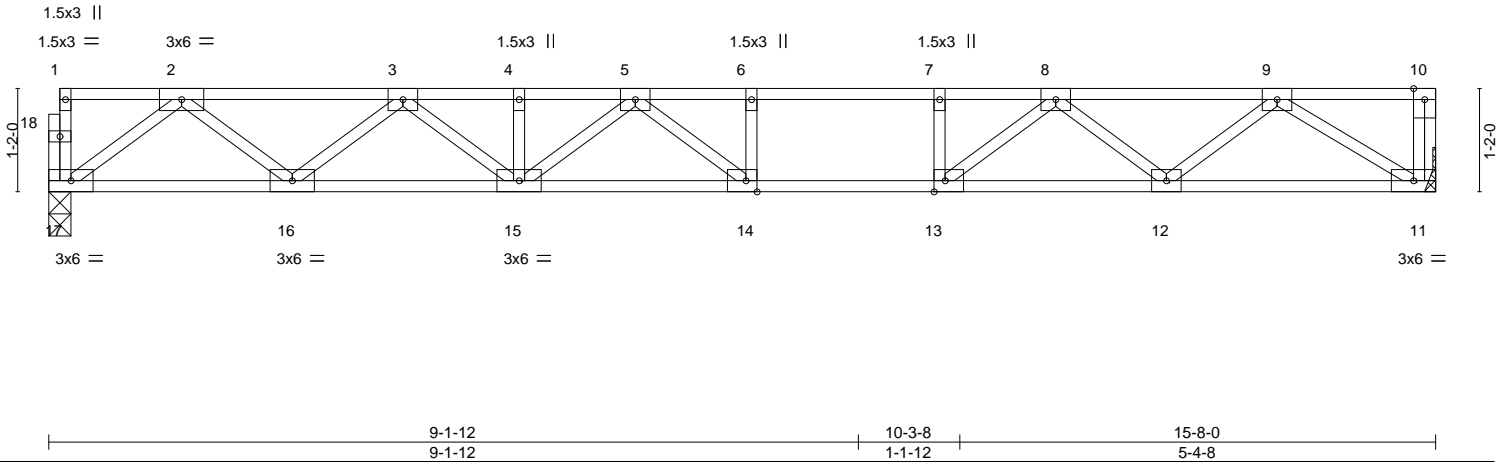
NOTES-
1) Unbalanced floor live loads have been considered for this design.
2) Plates checked for a plus or minus 1 degree rotation about its center.
3) Recommend 2x6 strongbacks, on edge, spaced at 10-0-0 oc and fastened to each truss with 3-10d (0.131" X 3") nails. Strongbacks to be attached to walls at their outer ends or restrained by other means.



Job J0421-2521	Truss F05	Truss Type FLOOR	Qty 6	Ply 1	Lot 3 Atkins Farm Estates E14466396
-------------------	--------------	---------------------	----------	----------	--

Comtech, Inc, Fayetteville, NC - 28314,

8.330 s May 6 2020 MiTek Industries, Inc. Tue Jun 2 13:45:04 2020 Page 1
ID:BoL?hgXglYpqwdOiyUmcQyz41fz-B2u1mxhI9oXGY4uizgdNVgffzu71?Hc9YYnHCIZAltD



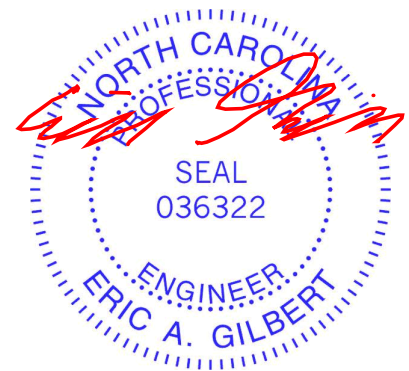
LOADING (psf)	SPACING-	CSI.	DEFL.	PLATES	GRIP
TCLL 40.0	Plate Grip DOL 1.00	TC 0.76	Vert(LL) -0.24 14-15 >776 480	MT20	244/190
TCDL 10.0	Lumber DOL 1.00	BC 0.90	Vert(CT) -0.33 14-15 >566 360		
BCLL 0.0	Rep Stress Incr YES	WB 0.42	Horz(CT) 0.05 11 n/a n/a		
BCDL 5.0	Code IRC2015/TPI2014	Matrix-S		Weight: 79 lb	FT = 20%F, 11%E

LUMBER-	BRACING-
TOP CHORD 2x4 SP No.1(flat)	TOP CHORD Structural wood sheathing directly applied or 6-0-0 oc purlins, except end verticals.
BOT CHORD 2x4 SP No.1(flat)	BOT CHORD Rigid ceiling directly applied or 10-0-0 oc bracing.
WEBS 2x4 SP No.3(flat)	

REACTIONS. (size) 17=0-3-0, 11=Mechanical
Max Grav 17=842(LC 1), 11=848(LC 1)

FORCES. (lb) - Max. Comp./Max. Ten. - All forces 250 (lb) or less except when shown.
TOP CHORD 2-3=-1733/0, 3-4=-2808/0, 4-5=-2808/0, 5-6=-3022/0, 6-7=-3022/0, 7-8=-3022/0, 8-9=-1871/0
BOT CHORD 16-17=0/1049, 15-16=0/2394, 14-15=0/3053, 13-14=0/3022, 12-13=0/2502, 11-12=0/1241
WEBS 2-17=-1313/0, 2-16=0/891, 3-16=-861/0, 3-15=0/528, 5-15=-314/0, 5-14=-267/352, 9-11=-1463/0, 9-12=0/821, 8-12=-822/0, 8-13=0/841, 7-13=-375/0

- NOTES-**
- 1) Unbalanced floor live loads have been considered for this design.
 - 2) All plates are 3x4 MT20 unless otherwise indicated.
 - 3) Plates checked for a plus or minus 1 degree rotation about its center.
 - 4) Refer to girder(s) for truss to truss connections.
 - 5) Recommend 2x6 strongbacks, on edge, spaced at 10-0-0 oc and fastened to each truss with 3-10d (0.131" X 3") nails.
Strongbacks to be attached to walls at their outer ends or restrained by other means.
 - 6) CAUTION, Do not erect truss backwards.

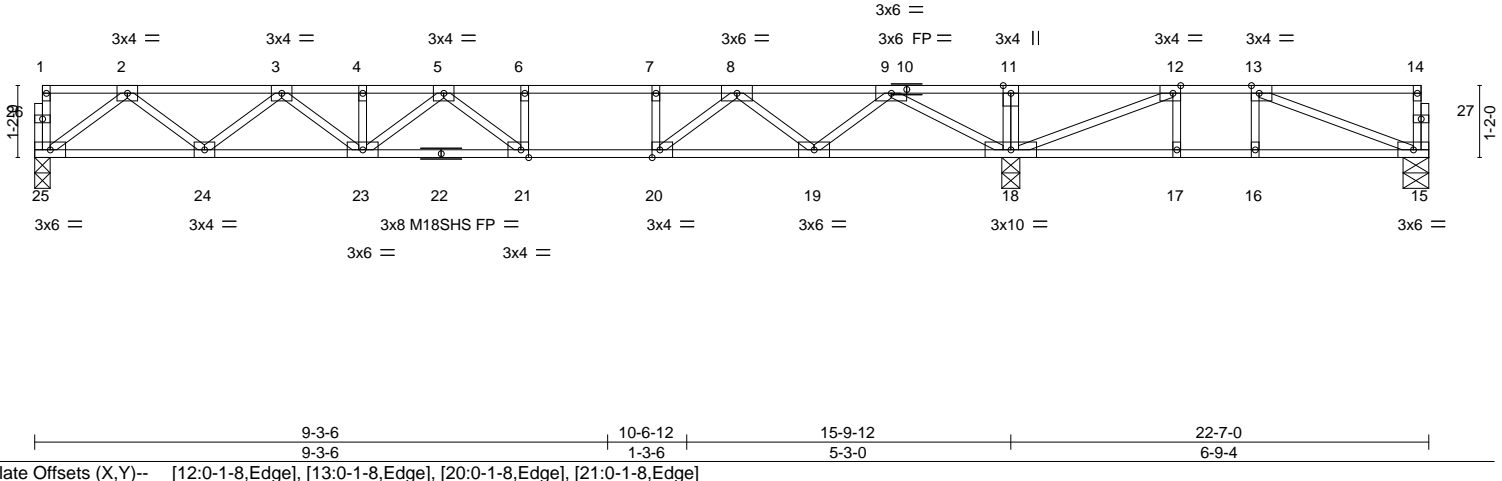
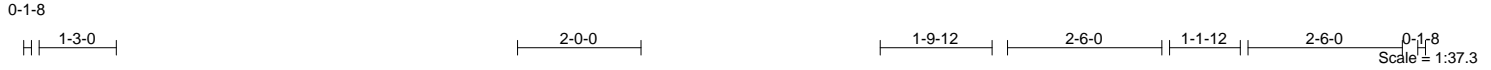


June 2, 2020

Job J0421-2521	Truss F06	Truss Type FLOOR	Qty 1	Ply 1	Lot 3 Atkins Farm Estates Job Reference (optional)	E14466397
-------------------	--------------	---------------------	----------	----------	---	-----------

Comtech, Inc, Fayetteville, NC - 28314,

8.330 s May 6 2020 MiTek Industries, Inc. Tue Jun 2 13:45:05 2020 Page 1
ID:BoL?hgXglYpqqwOiyUmcQyz41fz-fESPzGhww5f7AETuXN8c2tCveITqkkgImCXqkqzAltC



LOADING (psf)	SPACING-	CSL.	DEFL.	PLATES	GRIP
TCLL 40.0	Plate Grip DOL 1.00	TC 0.83	in (loc) l/defl L/d	MT20	244/190
TCDL 10.0	Lumber DOL 1.00	BC 0.93	Vert(LL) -0.24 21-23 >783 480	M18SHS	244/190
BCLL 0.0	Rep Stress Incr YES	WB 0.44	Vert(CT) -0.33 21-23 >568 360		
BCDL 5.0	Code IRC2015/TPI2014	Matrix-S	Horz(CT) 0.04 15 n/a n/a		
				Weight: 113 lb	FT = 20%F, 11%E

LUMBER-
TOP CHORD 2x4 SP No.1(flat)
BOT CHORD 2x4 SP No.1(flat)
WEBS 2x4 SP No.3(flat)

BRACING-
TOP CHORD Structural wood sheathing directly applied or 5-8-12 oc purlins, except end verticals.
BOT CHORD Rigid ceiling directly applied or 2-2-0 oc bracing.

REACTIONS. (size) 25=0-3-0, 18=0-3-8, 15=0-5-0
Max Uplift 15=52(LC 3)
Max Grav 25=802(LC 10), 18=1452(LC 1), 15=308(LC 4)

FORCES. (lb) - Max. Comp./Max. Ten. - All forces 250 (lb) or less except when shown.
TOP CHORD 2-3=-1634/0, 3-4=-2617/0, 4-5=-2617/0, 5-6=-2689/0, 6-7=-2689/0, 7-8=-2689/0,
8-9=-1399/0, 9-11=0/1071, 11-12=0/1075, 12-13=-444/311
BOT CHORD 24-25=0/996, 23-24=0/2251, 21-23=0/2810, 20-21=0/2689, 19-20=0/2082, 18-19=0/726,
17-18=-311/444, 16-17=-311/444, 15-16=-311/444
WEBS 2-25=-1248/0, 2-24=0/830, 3-24=-803/0, 3-23=0/467, 5-21=-347/212, 9-18=-1758/0,
9-19=0/906, 8-19=-935/0, 8-20=0/916, 7-20=-404/0, 12-18=-1130/0, 13-15=-468/336

- NOTES-**
- Unbalanced floor live loads have been considered for this design.
 - All plates are MT20 plates unless otherwise indicated.
 - All plates are 1.5x3 MT20 unless otherwise indicated.
 - Plates checked for a plus or minus 1 degree rotation about its center.
 - Provide mechanical connection (by others) of truss to bearing plate capable of withstanding 52 lb uplift at joint 15.
 - Recommend 2x6 strongbacks, on edge, spaced at 10-0-0 oc and fastened to each truss with 3-10d (0.131" X 3") nails. Strongbacks to be attached to walls at their outer ends or restrained by other means.
 - CAUTION, Do not erect truss backwards.



June 2, 2020

WARNING - Verify design parameters and READ NOTES ON THIS AND INCLUDED MITEK REFERENCE PAGE MII-7473 rev. 5/19/2020 BEFORE USE.
Design valid for use only with MiTek® connectors. This design is based only upon parameters shown, and is for an individual building component, not a truss system. Before use, the building designer must verify the applicability of design parameters and properly incorporate this design into the overall building design. Bracing indicated is to prevent buckling of individual truss web and/or chord members only. Additional temporary and permanent bracing is always required for stability and to prevent collapse with possible personal injury and property damage. For general guidance regarding the fabrication, storage, delivery, erection and bracing of trusses and truss systems, see **ANSI/TPI1 Quality Criteria, DSB-89 and BCSI Building Component Safety Information** available from Truss Plate Institute, 2670 Crain Highway, Suite 203 Waldorf, MD 20601

ENGINEERING BY
TRENCO
A MiTek Affiliate
818 Soundside Road
Edenton, NC 27932

Job J0421-2521	Truss F07	Truss Type FLOOR	Qty 3	Ply 1	Lot 3 Atkins Farm Estates Job Reference (optional)	E14466398
-------------------	--------------	---------------------	----------	----------	---	-----------

Comtech, Inc., Fayetteville, NC - 28314,

8.330 s May 6 2020 MiTek Industries, Inc. Tue Jun 2 13:45:05 2020 Page 1
ID:BoL?hgXglYpQwdOiyUmcQyz41fz-fESPzGhww5f7AETuXN8c2tC1x1YDkIXImCXqkzAlTC

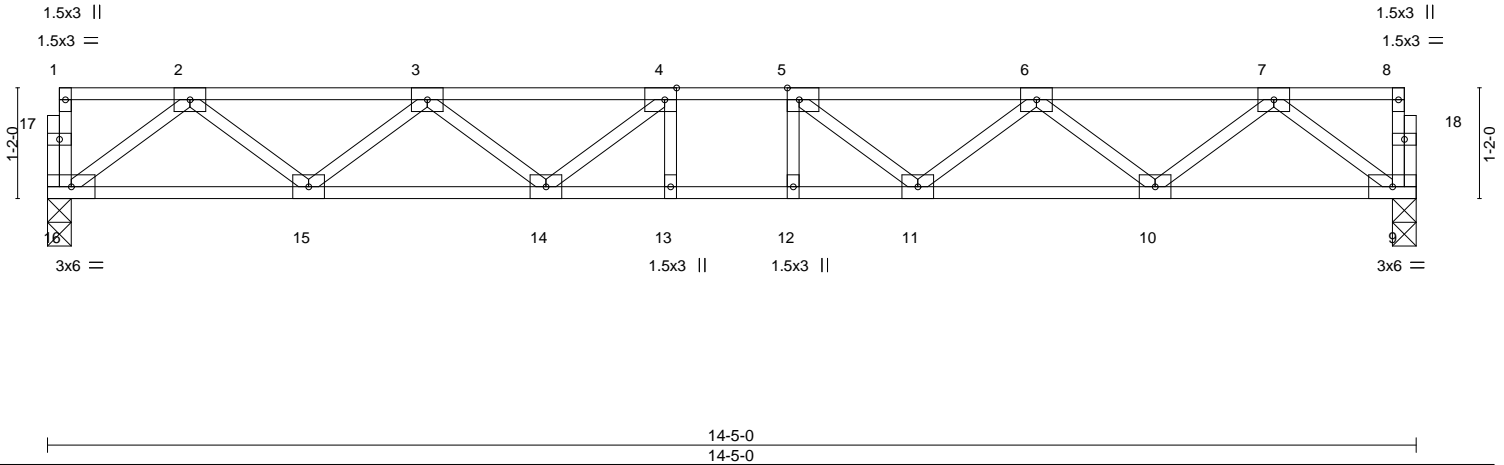
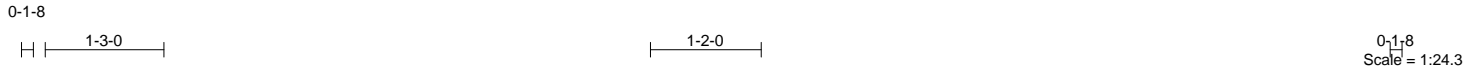


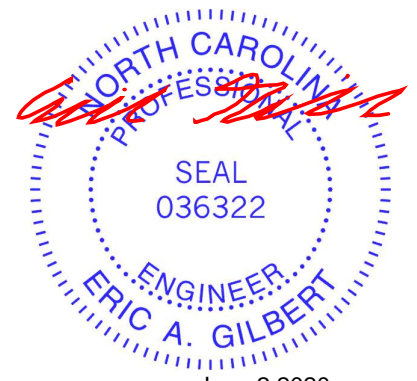
Plate Offsets (X,Y)--	[4:0-1-8,Edge], [5:0-1-8,Edge]				
LOADING (psf)	SPACING- 2-0-0	CSI.	DEFL. in (loc) l/defl L/d	PLATES	GRIP
TCLL 40.0	Plate Grip DOL 1.00	TC 0.30	Vert(LL) -0.12 12-13 >999 480	MT20	244/190
TCDL 10.0	Lumber DOL 1.00	BC 0.59	Vert(CT) -0.17 12-13 >999 360		
BCLL 0.0	Rep Stress Incr YES	WB 0.38	Horz(CT) 0.04 9 n/a n/a		
BCDL 5.0	Code IRC2015/TPI2014	Matrix-S			
				Weight: 73 lb	FT = 20%F, 11%E

LUMBER-	BRACING-
TOP CHORD 2x4 SP No.1(flat)	TOP CHORD Structural wood sheathing directly applied or 6-0-0 oc purlins, except end verticals.
BOT CHORD 2x4 SP No.1(flat)	BOT CHORD Rigid ceiling directly applied or 10-0-0 oc bracing.
WEBS 2x4 SP No.3(flat)	

REACTIONS. (size) 16=0-3-0, 9=0-3-0
Max Grav 16=773(LC 1), 9=773(LC 1)

FORCES. (lb) - Max. Comp./Max. Ten. - All forces 250 (lb) or less except when shown.
TOP CHORD 2-3=-1570/0, 3-4=-2405/0, 4-5=-2647/0, 5-6=-2405/0, 6-7=-1570/0
BOT CHORD 15-16=0/955, 14-15=0/2151, 13-14=0/2647, 12-13=0/2647, 11-12=0/2647, 10-11=0/2151, 9-10=0/955
WEBS 7-9=-1195/0, 7-10=0/801, 6-10=-756/0, 6-11=0/386, 5-11=-454/0, 2-16=-1195/0, 2-15=0/801, 3-15=-756/0, 3-14=0/386, 4-14=-454/0

- NOTES-**
- 1) Unbalanced floor live loads have been considered for this design.
 - 2) All plates are 3x4 MT20 unless otherwise indicated.
 - 3) Plates checked for a plus or minus 1 degree rotation about its center.
 - 4) Recommend 2x6 strongbacks, on edge, spaced at 10-0-0 oc and fastened to each truss with 3-10d (0.131" X 3") nails. Strongbacks to be attached to walls at their outer ends or restrained by other means.



Job J0421-2521	Truss F08	Truss Type FLOOR GIRDER	Qty 1	Ply 2	Lot 3 Atkins Farm Estates E14466399
-------------------	--------------	----------------------------	----------	----------	--

Comtech, Inc, Fayetteville, NC - 28314,

8.330 s May 6 2020 MiTek Industries, Inc. Tue Jun 2 13:45:06 2020 Page 1
ID:BoL?hgXglYpqwdOiyUmcQyz41fz-7Q0nAcIYhPn_o01454gra5kCiiw6T52S?sNGGAzAltB

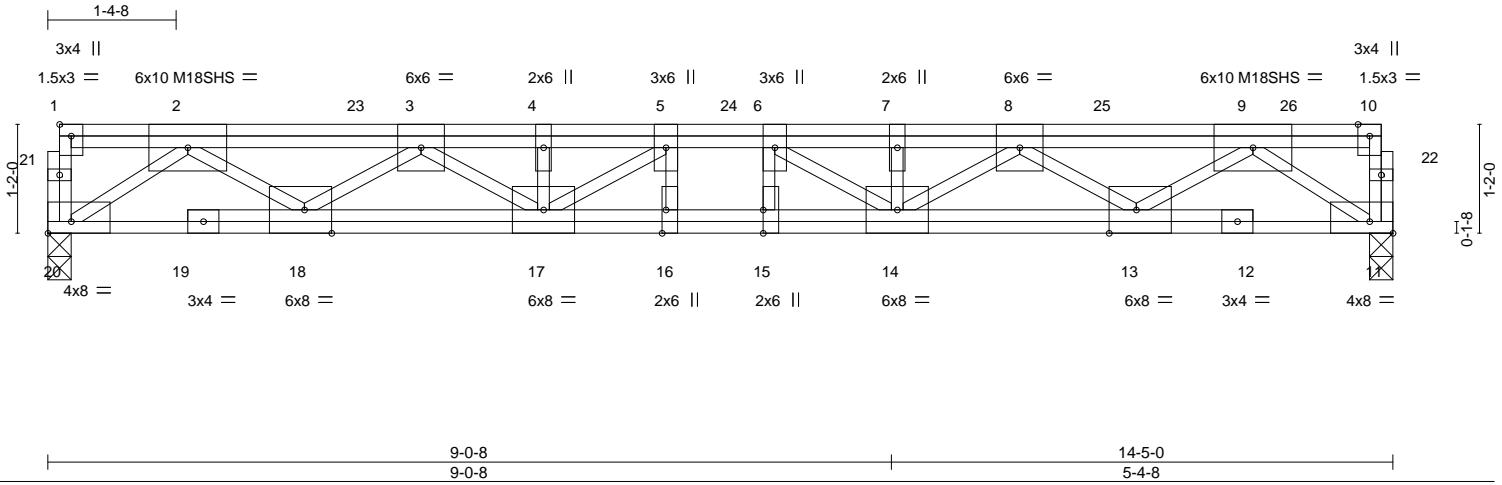
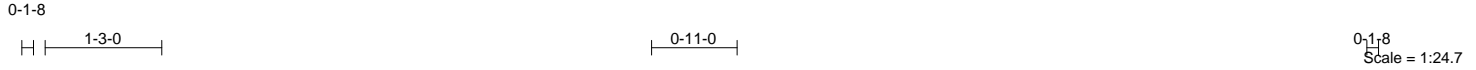


Plate Offsets (X,Y)--	[1:Edge,0-1-8], [11:Edge,0-1-8], [13:0-3-8,Edge], [15:0-3-0,0-0-0], [16:0-3-0,Edge], [18:0-3-8,Edge], [20:Edge,0-1-8]
-----------------------	---

LOADING (psf)	SPACING-	2-0-0	CSI.	DEFL.	in (loc)	l/defl	L/d	PLATES	GRIP
TCLL 40.0	Plate Grip DOL	1.00	TC 0.30	Vert(LL)	-0.19	15	>903	MT20	244/190
TCDL 10.0	Lumber DOL	1.00	BC 0.48	Vert(CT)	-0.26	15-16	>651	M18SHS	244/190
BCLL 0.0	Rep Stress Incr	NO	WB 0.81	Horz(CT)	0.06	11	n/a		
BCDL 5.0	Code IRC2015/TPI2014		Matrix-S						
								Weight: 221 lb	FT = 20%F, 11%E

LUMBER-	BRACING-
TOP CHORD 2x4 SP 2400F 2.0E(flat)	TOP CHORD Structural wood sheathing directly applied or 6-0-0 oc purlins, except end verticals.
BOT CHORD 2x4 SP 2400F 2.0E(flat)	BOT CHORD Rigid ceiling directly applied or 10-0-0 oc bracing.
WEBS 2x4 SP No.3(flat) *Except* 2-18,9-13: 2x4 SP No.2(flat)	

REACTIONS. (size) 20=0-3-0, 11=0-3-0
Max Grav 20=4019(LC 1), 11=4153(LC 1)

FORCES. (lb) - Max. Comp./Max. Ten. - All forces 250 (lb) or less except when shown.
TOP CHORD 10-11=-255/0, 2-3=-9312/0, 3-4=-14910/0, 4-5=-14910/0, 5-6=-15908/0, 6-7=-14837/0,
7-8=-14837/0, 8-9=-9126/0
BOT CHORD 18-20=0/5647, 17-18=0/12930, 16-17=0/15908, 15-16=0/15908, 14-15=0/15908,
13-14=0/12661, 11-13=0/5549
WEBS 2-20=-6930/0, 2-18=0/4544, 3-18=-4487/0, 3-17=0/2416, 4-17=-649/0, 5-17=-1297/0,
9-11=-6793/0, 9-13=0/4437, 8-13=-4384/0, 8-14=0/2654, 7-14=-690/0, 6-14=-1406/0

- NOTES-**
- 1) Fasten trusses together to act as a single unit as per standard industry detail, or loads are to be evenly applied to all plies.
 - 2) Unbalanced floor live loads have been considered for this design.
 - 3) All plates are MT20 plates unless otherwise indicated.
 - 4) Plates checked for a plus or minus 1 degree rotation about its center.
 - 5) Recommend 2x6 strongbacks, on edge, spaced at 10-0-0 oc and fastened to each truss with 3-10d (0.131" X 3") nails. Strongbacks to be attached to walls at their outer ends or restrained by other means.
 - 6) Hanger(s) or other connection device(s) shall be provided sufficient to support concentrated load(s) 1026 lb down at 1-4-8, 1026 lb down at 3-4-8, 1026 lb down at 5-4-8, 971 lb down at 7-4-8, 1026 lb down at 9-4-8, and 1027 lb down at 11-4-8, and 1027 lb down at 13-4-8 on top chord. The design/selection of such connection device(s) is the responsibility of others.
 - 7) In the LOAD CASE(S) section, loads applied to the face of the truss are noted as front (F) or back (B).

LOAD CASE(S) Standard
1) Dead + Floor Live (balanced): Lumber Increase=1.00, Plate Increase=1.00
Uniform Loads (plf)
Vert: 11-20=-10, 1-10=-100
Concentrated Loads (lb)
Vert: 2=-946(B) 4=-946(B) 7=-946(B) 23=-946(B) 24=-946(B) 25=-946(B) 26=-953(B)



June 2, 2020

Job J0421-2521	Truss F09	Truss Type FLOOR	Qty 3	Ply 1	Lot 3 Atkins Farm Estates Job Reference (optional)	E14466400
-------------------	--------------	---------------------	----------	----------	---	-----------

Comtech, Inc, Fayetteville, NC - 28314,

8.330 s May 6 2020 MiTek Industries, Inc. Tue Jun 2 13:45:07 2020 Page 1
ID:BoL?hgXglYpqwdOiyUmcQyz41fz-cda9OyjASjvrPYcHfoB47IHMH6KIClLbEW0xodzAltA

0-1-8



Scale = 1:12.4

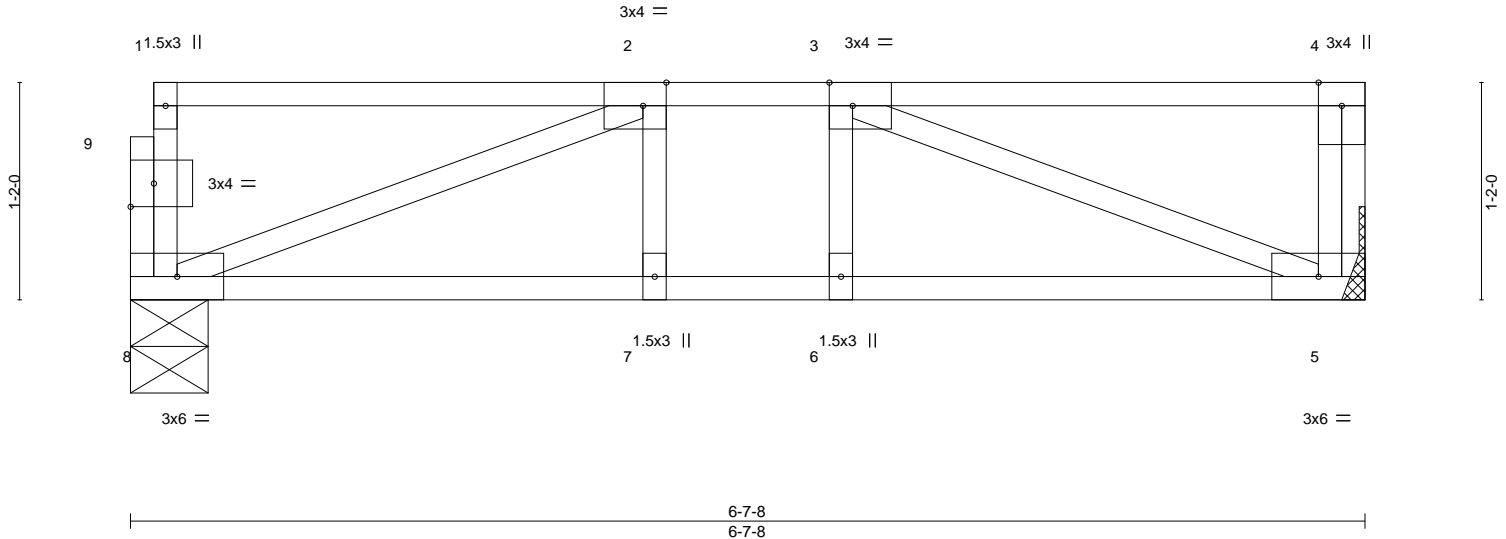


Plate Offsets (X,Y)-- [2:0-1-8,Edge], [3:0-1-8,Edge], [9:0-1-8,0-1-8]

LOADING (psf)	SPACING-	CSL.	DEFL.	in (loc)	l/defl	L/d	PLATES	GRIP
TCLL 40.0	Plate Grip DOL 1.00	TC 0.35	Vert(LL) -0.03	5-6	>999	480	MT20	244/190
TCDL 10.0	Lumber DOL 1.00	BC 0.20	Vert(CT) -0.03	5-6	>999	360		
BCLL 0.0	Rep Stress Incr YES	WB 0.17	Horz(CT) 0.01	5	n/a	n/a		
BCDL 5.0	Code IRC2015/TPI2014	Matrix-S						
							Weight: 35 lb	FT = 20%F, 11%E

LUMBER-	BRACING-
TOP CHORD 2x4 SP No.1(flat)	TOP CHORD Structural wood sheathing directly applied or 6-0-0 oc purlins, except end verticals.
BOT CHORD 2x4 SP No.1(flat)	BOT CHORD Rigid ceiling directly applied or 10-0-0 oc bracing.
WEBS 2x4 SP No.3(flat)	

REACTIONS. (size) 8=0-5-0, 5=Mechanical
Max Grav 8=344(LC 1), 5=351(LC 1)

FORCES. (lb) - Max. Comp./Max. Ten. - All forces 250 (lb) or less except when shown.
TOP CHORD 2-3=-578/0
BOT CHORD 7-8=0/578, 6-7=0/578, 5-6=0/578
WEBS 2-8=-613/0, 3-5=-620/0

- NOTES-**
- Unbalanced floor live loads have been considered for this design.
 - Plates checked for a plus or minus 1 degree rotation about its center.
 - Refer to girder(s) for truss to truss connections.
 - Recommend 2x6 strongbacks, on edge, spaced at 10-0-0 oc and fastened to each truss with 3-10d (0.131" X 3") nails.
Strongbacks to be attached to walls at their outer ends or restrained by other means.
 - CAUTION, Do not erect truss backwards.



June 2, 2020

Job J0421-2521	Truss F10	Truss Type FLOOR GIRDER	Qty 1	Ply 1	Lot 3 Atkins Farm Estates Job Reference (optional)	E14466401
-------------------	--------------	----------------------------	----------	----------	---	-----------

Comtech, Inc, Fayetteville, NC - 28314,

8.330 s May 6 2020 MiTek Industries, Inc. Tue Jun 2 13:45:08 2020 Page 1
ID:BoL?hgXglYpqqwOiyUmcQyz41fz-4p8XblkoD01i1iBTCVjJfWqZNWfjx8IISAIUL3zAlt9

0-1-8

2-6-0

0-10-8

Scale = 1:12.4

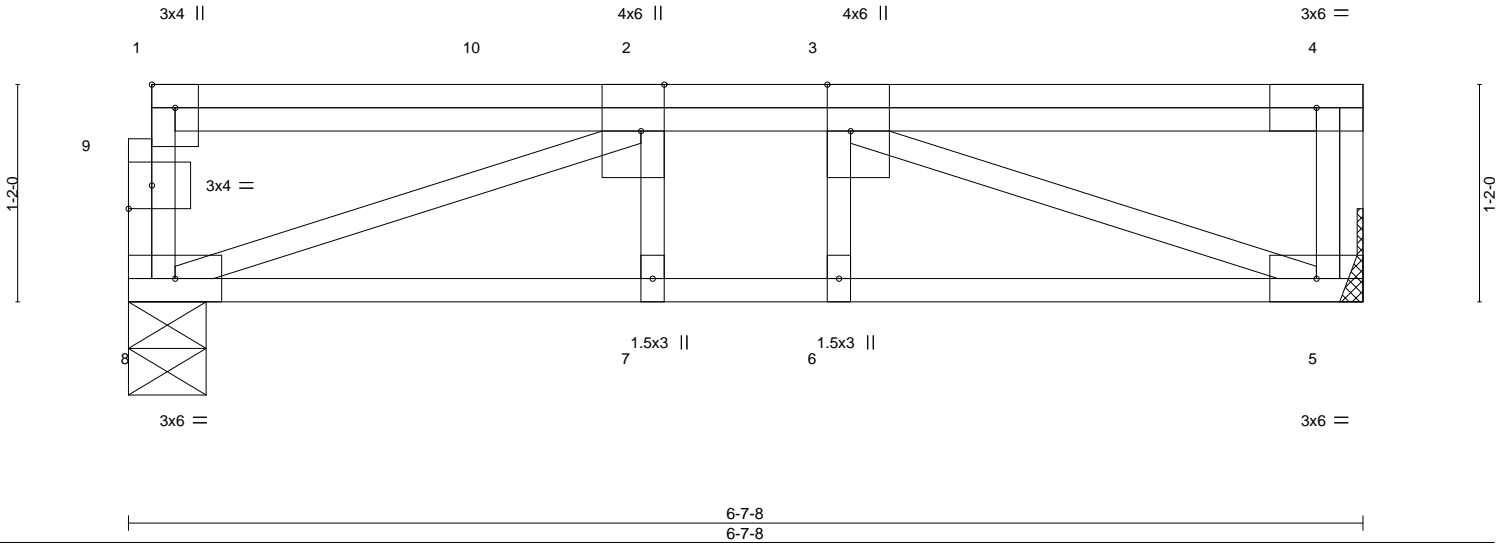


Plate Offsets (X,Y)-- [1:Edge,0-1-8], [2:0-3-0,Edge], [3:0-3-0,Edge], [9:0-1-8,0-1-8]

LOADING (psf)	SPACING-	CSL	DEFL.	in (loc)	l/defl	L/d	PLATES	GRIP
TCLL 40.0	Plate Grip DOL 1.00	TC 0.22	Vert(LL) -0.02	7-8	>999	480	MT20	244/190
TCDL 10.0	Lumber DOL 1.00	BC 0.22	Vert(CT) -0.03	7-8	>999	360		
BCLL 0.0	Rep Stress Incr NO	WB 0.22	Horz(CT) 0.01	5	n/a	n/a		
BCDL 5.0	Code IRC2015/TPI2014	Matrix-S						
							Weight: 44 lb	FT = 20%F, 11%E

LUMBER-
TOP CHORD 2x4 SP No.1(flat)
BOT CHORD 2x4 SP No.1(flat)
WEBS 2x4 SP No.3(flat)

BRACING-
TOP CHORD Structural wood sheathing directly applied or 6-0-0 oc purlins, except end verticals.
BOT CHORD Rigid ceiling directly applied or 10-0-0 oc bracing.

REACTIONS. (size) 8=0-5-0, 5=Mechanical
Max Grav 8=440(LC 1), 5=403(LC 1)

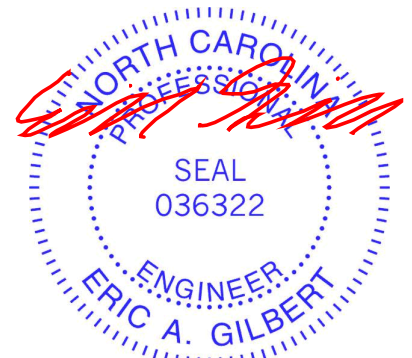
FORCES. (lb) - Max. Comp./Max. Ten. - All forces 250 (lb) or less except when shown.
TOP CHORD 2-3=-773/0
BOT CHORD 7-8=0/773, 6-7=0/773, 5-6=0/773
WEBS 2-8=-813/0, 3-5=-822/0

NOTES-

- Unbalanced floor live loads have been considered for this design.
- Plates checked for a plus or minus 1 degree rotation about its center.
- Refer to girder(s) for truss to truss connections.
- Recommend 2x6 strongbacks, on edge, spaced at 10-0-0 oc and fastened to each truss with 3-10d (0.131" X 3") nails. Strongbacks to be attached to walls at their outer ends or restrained by other means.
- CAUTION, Do not erect truss backwards.
- Hanger(s) or other connection device(s) shall be provided sufficient to support concentrated load(s) 149 lb down at 1-11-8, and 101 lb down at 3-1-4 on top chord. The design/selection of such connection device(s) is the responsibility of others.
- In the LOAD CASE(S) section, loads applied to the face of the truss are noted as front (F) or back (B).

LOAD CASE(S) Standard

- Dead + Floor Live (balanced): Lumber Increase=1.00, Plate Increase=1.00
Uniform Loads (plf)
Vert: 5-8=-10, 1-4=-100
Concentrated Loads (lb)
Vert: 2=-73(B) 10=-75(B)



June 2, 2020

WARNING - Verify design parameters and READ NOTES ON THIS AND INCLUDED MITEK REFERENCE PAGE MII-7473 rev. 5/19/2020 BEFORE USE.

Design valid for use only with MiTek® connectors. This design is based only upon parameters shown, and is for an individual building component, not a truss system. Before use, the building designer must verify the applicability of design parameters and properly incorporate this design into the overall building design. Bracing indicated is to prevent buckling of individual truss web and/or chord members only. Additional temporary and permanent bracing is always required for stability and to prevent collapse with possible personal injury and property damage. For general guidance regarding the fabrication, storage, delivery, erection and bracing of trusses and truss systems, see

ANSI/TPI1 Quality Criteria, DSB-89 and BCSI Building Component

Safety Information available from Truss Plate Institute, 2670 Crain Highway, Suite 203 Waldorf, MD 20601



818 Soundside Road
Edenton, NC 27932

Job J0421-2521	Truss F12	Truss Type FLOOR	Qty 1	Ply 1	Lot 3 Atkins Farm Estates	E14466403
-------------------	--------------	---------------------	----------	----------	---------------------------	-----------

Comtech, Inc, Fayetteville, NC - 28314,

8.330 s May 6 2020 MiTek Industries, Inc. Tue Jun 2 13:45:10 2020 Page 1

ID:BoL?hgXglYpqwdOiyUmcQyz41fz-0CFI0_I3leHQQ?LsKwknkxv0J0dP511wUEbPyzAlt7

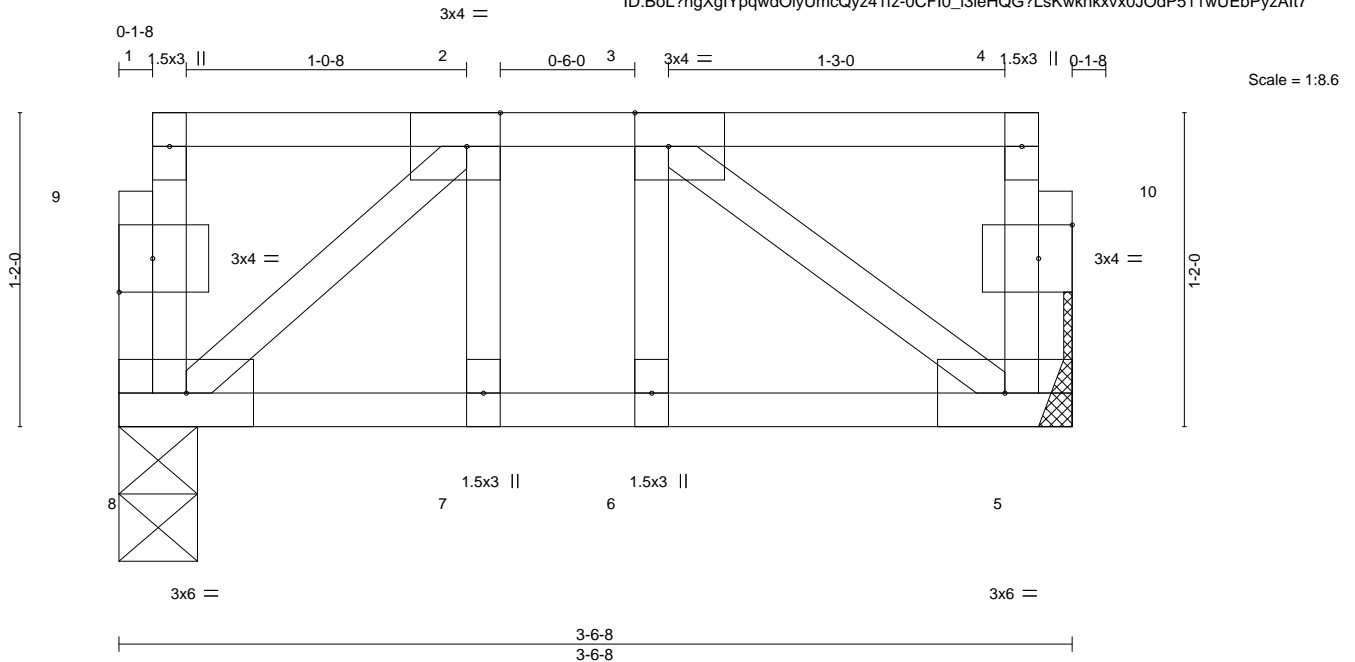


Plate Offsets (X,Y)-- [2:0-1-8,Edge], [3:0-1-8,Edge], [9:0-1-8,0-1-8], [10:0-1-8,0-1-8]

LOADING (psf)	SPACING-	CSL.	DEFL.	in (loc)	l/defl	L/d	PLATES	GRIP
TCLL 40.0	Plate Grip DOL 1.00	TC 0.09	Vert(LL) -0.00	6	>999	480	MT20	244/190
TCDL 10.0	Lumber DOL 1.00	BC 0.06	Vert(CT) -0.00	6	>999	360		
BCLL 0.0	Rep Stress Incr YES	WB 0.04	Horz(CT) 0.00	5	n/a	n/a		
BCDL 5.0	Code IRC2015/TPI2014	Matrix-S					Weight: 22 lb	FT = 20%F, 11%E

LUMBER-
 TOP CHORD 2x4 SP No.1(flat)
 BOT CHORD 2x4 SP No.1(flat)
 WEBS 2x4 SP No.3(flat)

BRACING-
 TOP CHORD Structural wood sheathing directly applied or 3-6-8 oc purlins, except end verticals.
 BOT CHORD Rigid ceiling directly applied or 10-0-0 oc bracing.

REACTIONS. (size) 8=0-3-8, 5=Mechanical
 Max Grav 8=175(LC 1), 5=175(LC 1)

FORCES. (lb) - Max. Comp./Max. Ten. - All forces 250 (lb) or less except when shown.

- NOTES-**
- 1) Unbalanced floor live loads have been considered for this design.
 - 2) Plates checked for a plus or minus 1 degree rotation about its center.
 - 3) Refer to girder(s) for truss to truss connections.
 - 4) Recommend 2x6 strongbacks, on edge, spaced at 10-0-0 oc and fastened to each truss with 3-10d (0.131" X 3") nails. Strongbacks to be attached to walls at their outer ends or restrained by other means.



June 2,2020

Job J0421-2521	Truss KW	Truss Type FLOOR SUPPORTED GABL	Qty 1	Ply 1	Lot 3 Atkins Farm Estates Job Reference (optional)	E14466404
-------------------	-------------	------------------------------------	----------	----------	---	-----------

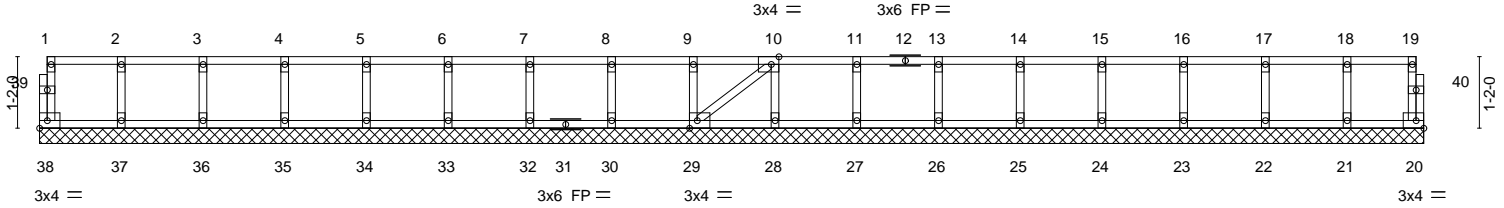
Comtech, Inc, Fayetteville, NC - 28314,

8.330 s May 6 2020 MiTek Industries, Inc. Tue Jun 2 13:45:10 2020 Page 1
ID:BoL?hgXglYpqwdOiyUmcQyz41fz-0CFI0_I3leHQQ?LsKwknkxvySJOTP5E1wUEbPyzAlt7

0-1-8

0-1-8

Scale = 1:37.6



22-7-0
22-7-0

Plate Offsets (X,Y)-- [10:0-1-8,Edge], [29:0-1-8,Edge]

LOADING (psf)	SPACING-	CSI.	DEFL.	in (loc)	l/defl	L/d	PLATES	GRIP
TCLL 40.0	Plate Grip DOL 1.00	TC 0.06	Vert(LL)	n/a	-	n/a	MT20	244/190
TCDL 10.0	Lumber DOL 1.00	BC 0.01	Vert(CT)	n/a	-	n/a		
BCLL 0.0	Rep Stress Incr YES	WB 0.03	Horz(CT)	0.00	20	n/a		
BCDL 5.0	Code IRC2015/TPI2014	Matrix-S					Weight: 96 lb	FT = 20%F, 11%E

LUMBER-
TOP CHORD 2x4 SP No.1(flat)
BOT CHORD 2x4 SP No.1(flat)
WEBS 2x4 SP No.3(flat)
OTHERS 2x4 SP No.3(flat)

BRACING-
TOP CHORD Structural wood sheathing directly applied or 6-0-0 oc purlins, except end verticals.
BOT CHORD Rigid ceiling directly applied or 10-0-0 oc bracing.

REACTIONS. All bearings 22-7-0.
(lb) - Max Grav All reactions 250 lb or less at joint(s) 38, 20, 37, 36, 35, 34, 33, 32, 30, 29, 28, 27, 26, 25, 24, 23, 22, 21

FORCES. (lb) - Max. Comp./Max. Ten. - All forces 250 (lb) or less except when shown.

- NOTES-**
- 1) All plates are 1.5x3 MT20 unless otherwise indicated.
 - 2) Plates checked for a plus or minus 1 degree rotation about its center.
 - 3) Gable requires continuous bottom chord bearing.
 - 4) Truss to be fully sheathed from one face or securely braced against lateral movement (i.e. diagonal web).
 - 5) Gable studs spaced at 1-4-0 oc.
 - 6) Recommend 2x6 strongbacks, on edge, spaced at 10-0-0 oc and fastened to each truss with 3-10d (0.131" X 3") nails. Strongbacks to be attached to walls at their outer ends or restrained by other means.



June 2,2020

WARNING - Verify design parameters and READ NOTES ON THIS AND INCLUDED MITEK REFERENCE PAGE MII-7473 rev. 5/19/2020 BEFORE USE.
Design valid for use only with MiTek® connectors. This design is based only upon parameters shown, and is for an individual building component, not a truss system. Before use, the building designer must verify the applicability of design parameters and properly incorporate this design into the overall building design. Bracing indicated is to prevent buckling of individual truss web and/or chord members only. Additional temporary and permanent bracing is always required for stability and to prevent collapse with possible personal injury and property damage. For general guidance regarding the fabrication, storage, delivery, erection and bracing of trusses and truss systems, see **ANSI/TPI1 Quality Criteria, DSB-89 and BCSI Building Component Safety Information** available from Truss Plate Institute, 2670 Crain Highway, Suite 203 Waldorf, MD 20601



818 Soundside Road
Edenton, NC 27932

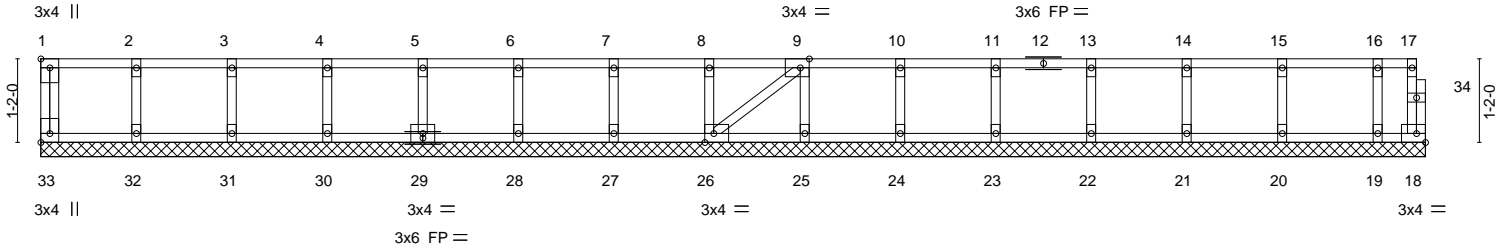
Job J0421-2521	Truss KW1	Truss Type FLOOR SUPPORTED GABL	Qty 1	Ply 1	Lot 3 Atkins Farm Estates Job Reference (optional)	E14466405
-------------------	--------------	------------------------------------	----------	----------	---	-----------

Comtech, Inc, Fayetteville, NC - 28314,

8.330 s May 6 2020 MiTek Industries, Inc. Tue Jun 2 13:45:11 2020 Page 1
ID:BoL?hgXglYpqwdOiyUmcQyz41fz-UOpqEKmhWxPHu9w2ueF0H8R79jki8YTB98_8xOzAlt6

0-1-8

Scale: 3/8"=1'



19-4-0
19-4-0

Plate Offsets (X,Y)-- [1:Edge,0-1-8], [9:0-1-8,Edge], [26:0-1-8,Edge], [33:Edge,0-1-8]

LOADING (psf)	SPACING-	CSL.	DEFL.	in (loc)	l/defl	L/d	PLATES	GRIP
TCLL 40.0	Plate Grip DOL 1.00	TC 0.06	Vert(LL)	n/a	-	n/a	MT20	244/190
TCDL 10.0	Lumber DOL 1.00	BC 0.01	Vert(CT)	n/a	-	n/a		
BCLL 0.0	Rep Stress Incr YES	WB 0.03	Horz(CT)	0.00	18	n/a		
BCDL 5.0	Code IRC2015/TPI2014	Matrix-S					Weight: 84 lb	FT = 20%F, 11%E

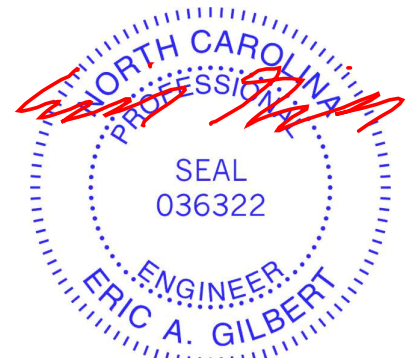
LUMBER-
TOP CHORD 2x4 SP No.1(flat)
BOT CHORD 2x4 SP No.1(flat)
WEBS 2x4 SP No.3(flat)
OTHERS 2x4 SP No.3(flat)

BRACING-
TOP CHORD Structural wood sheathing directly applied or 6-0-0 oc purlins, except end verticals.
BOT CHORD Rigid ceiling directly applied or 10-0-0 oc bracing.

REACTIONS. All bearings 19-4-0.
(lb) - Max Grav All reactions 250 lb or less at joint(s) 33, 18, 32, 31, 30, 29, 28, 27, 26, 25, 24, 23, 22, 21, 20, 19

FORCES. (lb) - Max. Comp./Max. Ten. - All forces 250 (lb) or less except when shown.

- NOTES-**
- 1) All plates are 1.5x3 MT20 unless otherwise indicated.
 - 2) Plates checked for a plus or minus 1 degree rotation about its center.
 - 3) Gable requires continuous bottom chord bearing.
 - 4) Truss to be fully sheathed from one face or securely braced against lateral movement (i.e. diagonal web).
 - 5) Gable studs spaced at 1-4-0 oc.
 - 6) Recommend 2x6 strongbacks, on edge, spaced at 10-0-0 oc and fastened to each truss with 3-10d (0.131" X 3") nails. Strongbacks to be attached to walls at their outer ends or restrained by other means.
 - 7) CAUTION, Do not erect truss backwards.



June 2,2020

WARNING - Verify design parameters and READ NOTES ON THIS AND INCLUDED MITEK REFERENCE PAGE MII-7473 rev. 5/19/2020 BEFORE USE.

Design valid for use only with MiTek® connectors. This design is based only upon parameters shown, and is for an individual building component, not a truss system. Before use, the building designer must verify the applicability of design parameters and properly incorporate this design into the overall building design. Bracing indicated is to prevent buckling of individual truss web and/or chord members only. Additional temporary and permanent bracing is always required for stability and to prevent collapse with possible personal injury and property damage. For general guidance regarding the fabrication, storage, delivery, erection and bracing of trusses and truss systems, see

ANSI/TPI1 Quality Criteria, DSB-89 and BCSI Building Component

Safety Information available from Truss Plate Institute, 2670 Crain Highway, Suite 203 Waldorf, MD 20601

ENGINEERING BY
TRENCO
A MiTek Affiliate

818 Soundside Road
Edenton, NC 27932

Job J0421-2521	Truss KW2	Truss Type FLOOR SUPPORTED GABL	Qty 1	Ply 1	Lot 3 Atkins Farm Estates Job Reference (optional)	E14466406
-------------------	--------------	------------------------------------	----------	----------	---	-----------

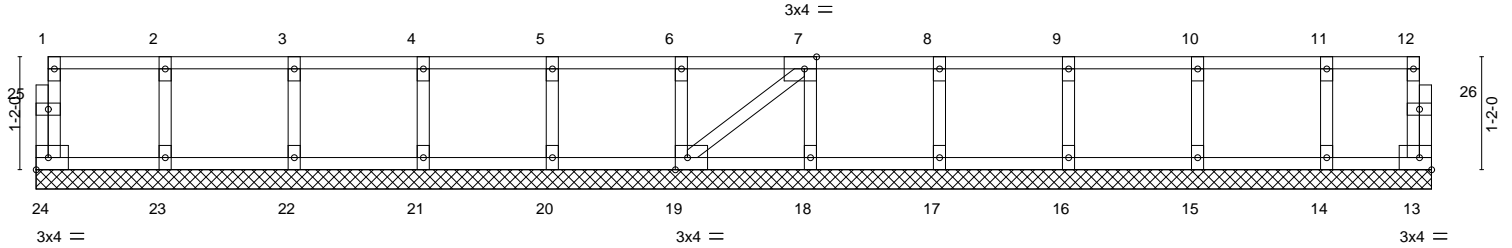
Comtech, Inc, Fayetteville, NC - 28314,

8.330 s May 6 2020 MiTek Industries, Inc. Tue Jun 2 13:45:12 2020 Page 1
ID:BoL?hgXglYpqwdOiyUmcQyz41fz-yaN2RgnJHFX7WJVERLmFqM_ly74xt?kKNojiUqzAlt5

0-1/8

0-1/8

Scale: 1/2"=1'



14-5-0
14-5-0

Plate Offsets (X,Y)-- [7:0-1-8,Edge], [19:0-1-8,Edge]

LOADING (psf)	SPACING-	CSI.	DEFL.	in (loc)	l/defl	L/d	PLATES	GRIP
TCLL 40.0	Plate Grip DOL 1.00	TC 0.06	Vert(LL)	n/a	-	n/a	MT20	244/190
TCDL 10.0	Lumber DOL 1.00	BC 0.01	Vert(CT)	n/a	-	n/a		
BCLL 0.0	Rep Stress Incr YES	WB 0.03	Horz(CT)	0.00	13	n/a		
BCDL 5.0	Code IRC2015/TPI2014	Matrix-S					Weight: 63 lb	FT = 20%F, 11%E

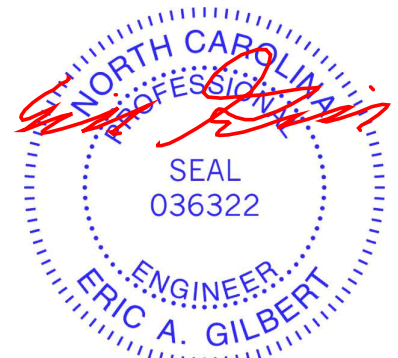
LUMBER-
TOP CHORD 2x4 SP No.1(flat)
BOT CHORD 2x4 SP No.1(flat)
WEBS 2x4 SP No.3(flat)
OTHERS 2x4 SP No.3(flat)

BRACING-
TOP CHORD Structural wood sheathing directly applied or 6-0-0 oc purlins, except end verticals.
BOT CHORD Rigid ceiling directly applied or 10-0-0 oc bracing.

REACTIONS. All bearings 14-5-0.
(lb) - Max Grav All reactions 250 lb or less at joint(s) 24, 13, 23, 22, 21, 20, 19, 18, 17, 16, 15, 14

FORCES. (lb) - Max. Comp./Max. Ten. - All forces 250 (lb) or less except when shown.

- NOTES-**
- 1) All plates are 1.5x3 MT20 unless otherwise indicated.
 - 2) Plates checked for a plus or minus 1 degree rotation about its center.
 - 3) Gable requires continuous bottom chord bearing.
 - 4) Truss to be fully sheathed from one face or securely braced against lateral movement (i.e. diagonal web).
 - 5) Gable studs spaced at 1-4-0 oc.
 - 6) Recommend 2x6 strongbacks, on edge, spaced at 10-0-0 oc and fastened to each truss with 3-10d (0.131" X 3") nails. Strongbacks to be attached to walls at their outer ends or restrained by other means.



June 2,2020

WARNING - Verify design parameters and READ NOTES ON THIS AND INCLUDED MITEK REFERENCE PAGE MII-7473 rev. 5/19/2020 BEFORE USE.
Design valid for use only with MiTek® connectors. This design is based only upon parameters shown, and is for an individual building component, not a truss system. Before use, the building designer must verify the applicability of design parameters and properly incorporate this design into the overall building design. Bracing indicated is to prevent buckling of individual truss web and/or chord members only. Additional temporary and permanent bracing is always required for stability and to prevent collapse with possible personal injury and property damage. For general guidance regarding the fabrication, storage, delivery, erection and bracing of trusses and truss systems, see **ANSI/TPI1 Quality Criteria, DSB-89 and BCSI Building Component Safety Information** available from Truss Plate Institute, 2670 Crain Highway, Suite 203 Waldorf, MD 20601

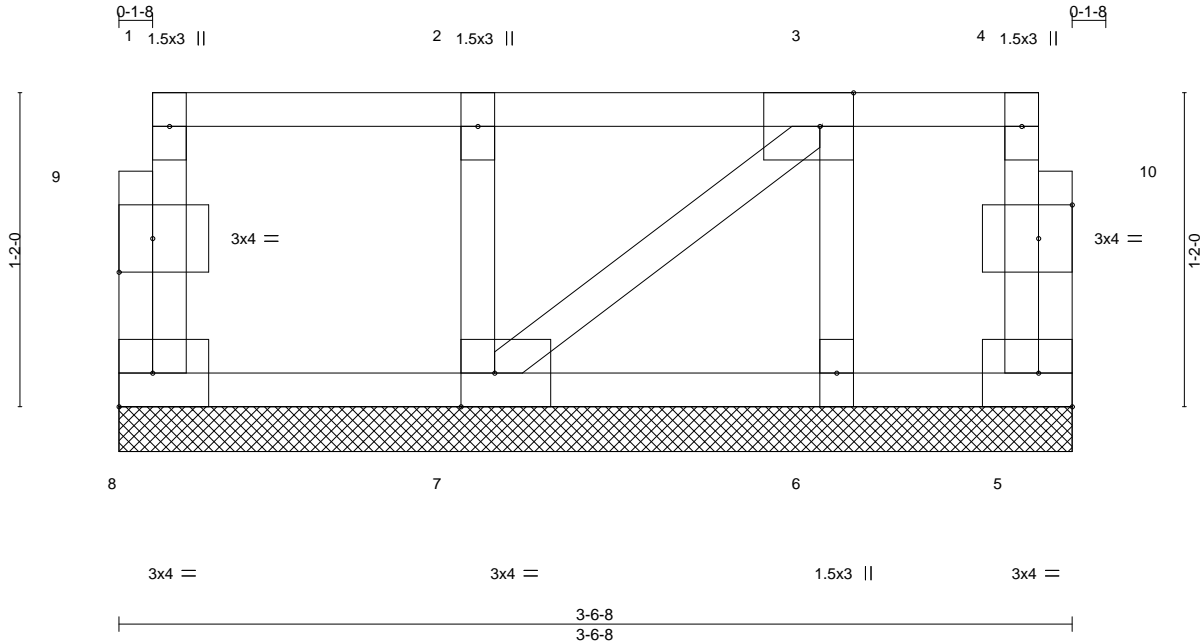


818 Soundside Road
Edenton, NC 27932

Job J0421-2521	Truss KW3	Truss Type FLOOR SUPPORTED GABL	Qty 1	Ply 1	Lot 3 Atkins Farm Estates Job Reference (optional)	E14466407
-------------------	--------------	------------------------------------	----------	----------	---	-----------

Comtech, Inc, Fayetteville, NC - 28314,

8.330 s May 6 2020 MiTek Industries, Inc. Tue Jun 2 13:45:12 2020 Page 1
ID:BoL?hgXglYpQwdOiyUmcQyz41fz-yaN2RgnJHFX7WJVERLmFqM_lv74wt?jKNojiUqzAlt5



Scale = 1:8.6

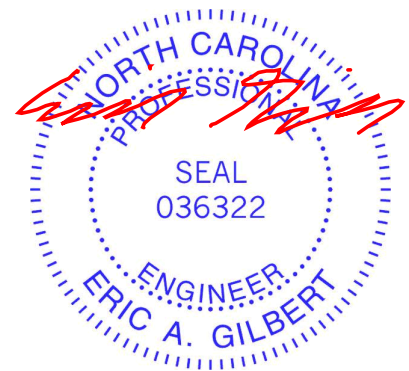
Plate Offsets (X,Y)--	[3:0-1-8,Edge], [7:0-1-8,Edge], [9:0-1-8,0-1-8], [10:0-1-8,0-1-8]				
LOADING (psf)	SPACING- 2-0-0	CSI.	DEFL. in (loc) l/defl L/d	PLATES	GRIP
TCLL 40.0	Plate Grip DOL 1.00	TC 0.06	Vert(LL) n/a - n/a 999	MT20	244/190
TCDL 10.0	Lumber DOL 1.00	BC 0.01	Vert(CT) n/a - n/a 999		
BCLL 0.0	Rep Stress Incr YES	WB 0.03	Horz(CT) 0.00 5 n/a n/a		
BCDL 5.0	Code IRC2015/TPI2014	Matrix-P		Weight: 20 lb	FT = 20%F, 11%E

LUMBER-	BRACING-
TOP CHORD 2x4 SP No.1(flat)	TOP CHORD Structural wood sheathing directly applied or 3-6-8 oc purlins, except end verticals.
BOT CHORD 2x4 SP No.1(flat)	BOT CHORD Rigid ceiling directly applied or 10-0-0 oc bracing.
WEBS 2x4 SP No.3(flat)	
OTHERS 2x4 SP No.3(flat)	

REACTIONS. All bearings 3-6-8.
(lb) - Max Grav All reactions 250 lb or less at joint(s) 8, 5, 7, 6

FORCES. (lb) - Max. Comp./Max. Ten. - All forces 250 (lb) or less except when shown.

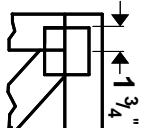
- NOTES-**
- 1) Plates checked for a plus or minus 1 degree rotation about its center.
 - 2) Gable requires continuous bottom chord bearing.
 - 3) Truss to be fully sheathed from one face or securely braced against lateral movement (i.e. diagonal web).
 - 4) Gable studs spaced at 1-4-0 oc.
 - 5) Recommend 2x6 strongbacks, on edge, spaced at 10-0-0 oc and fastened to each truss with 3-10d (0.131" X 3") nails. Strongbacks to be attached to walls at their outer ends or restrained by other means.



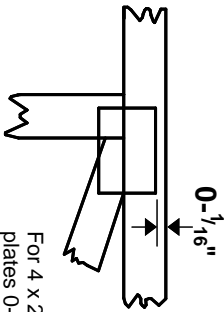
June 2, 2020

Symbols

PLATE LOCATION AND ORIENTATION



Center plate on joint unless x, y offsets are indicated. Dimensions are in ft-in-sixteenths. Apply plates to both sides of truss and fully embed teeth.



For 4 x 2 orientation, locate plates 0- 1/16" from outside edge of truss.



This symbol indicates the required direction of slots in connector plates.

* Plate location details available in **MITek 20/20 software** or upon request.

PLATE SIZE

4 X 4

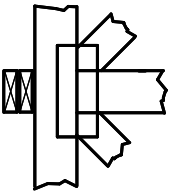
The first dimension is the plate width measured perpendicular to slots. Second dimension is the length parallel to slots.

LATERAL BRACING LOCATION



Indicated by symbol shown and/or by text in the bracing section of the output. Use T or I bracing if indicated.

BEARING



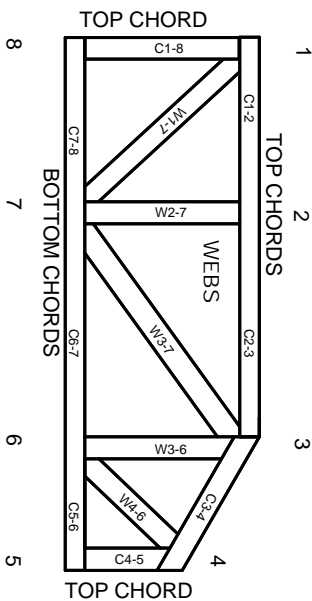
Indicates location where bearings (supports) occur. Icons vary but reaction section indicates joint number where bearings occur. Min size shown is for crushing only.

Industry Standards:

ANSI/TFP 1: National Design Specification for Metal Plate Connected Wood Truss Construction.
DSB-89: Design Standard for Bracing, Building Component Safety Information, Guide to Good Practice for Handling, Installing & Bracing of Metal Plate Connected Wood Trusses.

Numbering System

6-4-8
dimensions shown in ft-in-sixteenths
(Drawings not to scale)



JOINTS ARE GENERALLY NUMBERED/LETTERED CLOCKWISE AROUND THE TRUSS STARTING AT THE JOINT FARTHEST TO THE LEFT.

CHORDS AND WEBS ARE IDENTIFIED BY END JOINT NUMBERS/LETTERS.

PRODUCT CODE APPROVALS

ICC-ES Reports:

ESR-1311, ESR-1352, ESR1988
ER-3907, ESR-2362, ESR-1397, ESR-3282

Trusses are designed for wind loads in the plane of the truss unless otherwise shown.

Lumber design values are in accordance with ANSI/TFP 1 section 6.3 These truss designs rely on lumber values established by others.

© 2012 MITteK® All Rights Reserved



MITek Engineering Reference Sheet: Mill-7473 rev. 5/19/2020



General Safety Notes

Failure to Follow Could Cause Property Damage or Personal Injury

1. Additional stability bracing for truss system, e.g. diagonal or X-bracing, is always required. See BCSI.
2. Truss bracing must be designed by an engineer. For wide truss spacing, individual lateral braces themselves may require bracing, or alternative Tor I bracing should be considered.
3. Never exceed the design loading shown and never stack materials on inadequately braced trusses.
4. Provide copies of this truss design to the building designer, erection supervisor, property owner and all other interested parties.
5. Cut members to bear tightly against each other.
6. Place plates on each face of truss at each joint and embed fully. Knots and wane at joint locations are regulated by ANSI/TFP 1.
7. Design assumes trusses will be suitably protected from the environment in accord with ANSI/TFP 1.
8. Unless otherwise noted, moisture content of lumber shall not exceed 19% at time of fabrication.
9. Unless expressly noted, this design is not applicable for use with fire retardant, preservative treated, or green lumber.
10. Camber is a non-structural consideration and is the responsibility of truss fabricator. General practice is to camber for dead load deflection.
11. Plate type, size, orientation and location dimensions indicated are minimum plating requirements.
12. Lumber used shall be of the species and size, and in all respects, equal to or better than that specified.
13. Top chords must be sheathed or purlins provided at spacing indicated on design.
14. Bottom chords require lateral bracing at 10 ft. spacing, or less, if no ceiling is installed, unless otherwise noted.
15. Connections not shown are the responsibility of others.
16. Do not cut or alter truss member or plate without prior approval of an engineer.
17. Install and load vertically unless indicated otherwise.
18. Use of green or treated lumber may pose unacceptable environmental, health or performance risks. Consult with project engineer before use.
19. Review all portions of this design (front, back, words and pictures) before use. Reviewing pictures alone is not sufficient.
20. Design assumes manufacture in accordance with ANSI/TFP 1 Quality Criteria.
21. The design does not take into account any dynamic or other loads other than those expressly stated.