

Trenco  
818 Soundside Rd  
Edenton, NC 27932

Re: J0421-2506  
Weaver/Lot 2 Atkins Farm Estates/JoCo

The truss drawing(s) referenced below have been prepared by Truss Engineering Co. under my direct supervision based on the parameters provided by Comtech, Inc - Fayetteville.

Pages or sheets covered by this seal: E15647881 thru E15647906

My license renewal date for the state of North Carolina is December 31, 2021.

North Carolina COA: C-0844



April 22, 2021

Strzyzewski, Marvin

**IMPORTANT NOTE:** The seal on these truss component designs is a certification that the engineer named is licensed in the jurisdiction(s) identified and that the designs comply with ANSI/TPI 1. These designs are based upon parameters shown (e.g., loads, supports, dimensions, shapes and design codes), which were given to MiTek or TRENCO. Any project specific information included is for MiTek's or TRENCO's customers file reference purpose only, and was not taken into account in the preparation of these designs. MiTek or TRENCO has not independently verified the applicability of the design parameters or the designs for any particular building. Before use, the building designer should verify applicability of design parameters and properly incorporate these designs into the overall building design per ANSI/TPI 1, Chapter 2.

Job	Truss	Truss Type	Qty	Ply	Weaver/Lot 2 Atkins Farm Estates/JoCo	E15647881
J0421-2506	A1GE	GABLE	1	1	Job Reference (optional)	

Comtech, Inc, Fayetteville, NC - 28314,

8.330 s Oct 7 2020 MiTek Industries, Inc. Thu Apr 22 10:29:17 2021 Page 1  
 ID:Sdzs0uuhUIT3B?9OD0R?ZKyk2HC-ebM3lbtz5bzT\_2ZhpFId1vjDzHnaCr9U2liOUQzOBgm

-0-10-8 39-4-7 49-4-0 55-10-8 62-4-8 63-3-0  
 0-10-8 38-5-15 9-11-9 6-6-8 6-6-0 0-10-8

Scale: 3/32"=1'

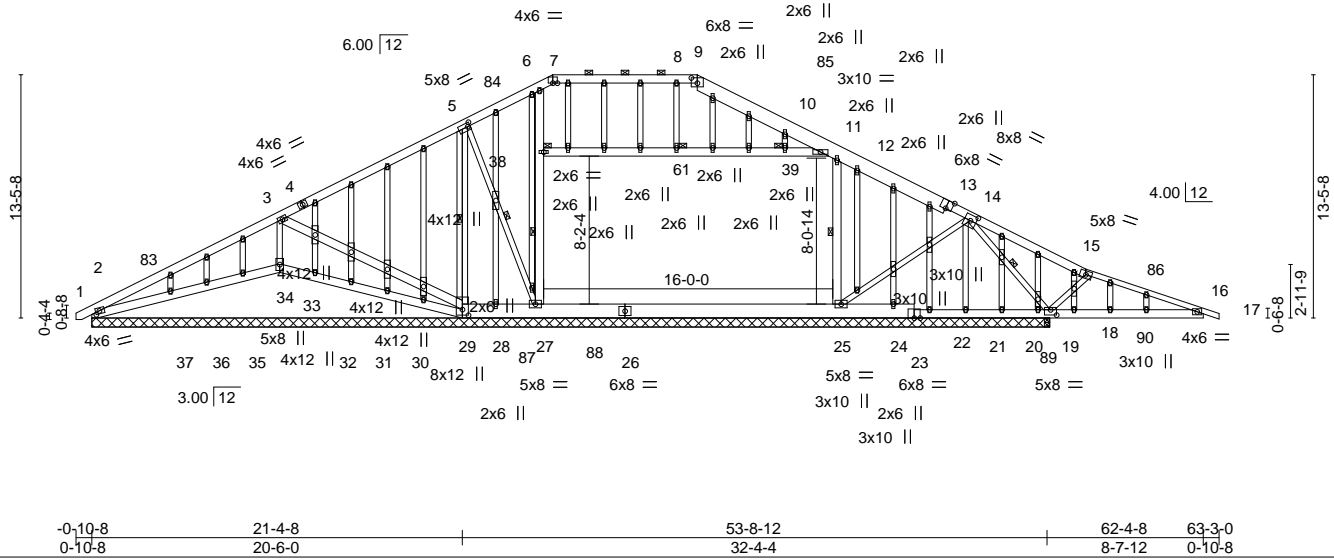


Plate Offsets (X,Y)--	[2:0-2-9,0-2-0], [5:0-1-12,0-2-8], [9:0-4-0,0-3-8], [13:0-4-0,Edge], [14:0-4-0,0-3-12], [18:0-4-0,0-3-8], [29:0-3-12,0-4-0]
-----------------------	---

LOADING (psf)	SPACING-	CSI.	DEFL.	PLATES	GRIP
TCLL 20.0	Plate Grip DOL 1.15	TC 0.45	Vert(LL) -0.11 25-27 >999 360	MT20	244/190
TCDL 10.0	Lumber DOL 1.15	BC 0.40	Vert(CT) -0.17 25-27 >999 240		
BCLL 0.0 *	Rep Stress Incr YES	WB 0.44	Horz(CT) 0.02 18 n/a n/a		
BCDL 10.0	Code IRC2015/TPI2014	Matrix-S	Wind(LL) 0.01 2-37 >999 240	Weight: 706 lb	FT = 20%

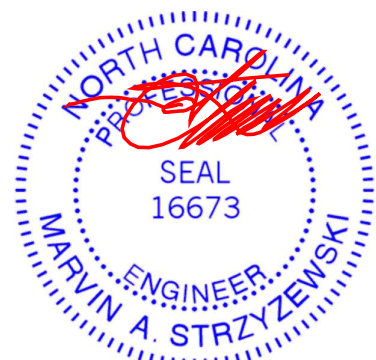
LUMBER-	BRACING-
TOP CHORD 2x6 SP No.1 *Except* 9-13: 2x10 SP No.1, 15-17: 2x4 SP No.1	TOP CHORD Structural wood sheathing directly applied or 5-9-10 oc purlins, except 2-0-0 oc purlins (6-0-0 max.): 7-9.
BOT CHORD 2x6 SP No.1 *Except* 26-29,23-26: 2x10 SP No.1	BOT CHORD Rigid ceiling directly applied or 6-0-0 oc bracing.
WEBS 2x4 SP No.2 *Except* 3-29,6-27,12-25,11-38: 2x6 SP No.1	WEBS 1 Row at midpt 27-38, 12-25, 5-29, 5-27, 14-18
OTHERS 2x4 SP No.2	JOINTS 1 Brace at Jt(s): 38, 39, 61

**REACTIONS.** All bearings 53-0-0.  
 (lb) - Max Horz 2=266(LC 12)  
 Max Uplift All uplift 100 lb or less at joint(s) 37, 36 except 2=154(LC 13),  
 34=428(LC 12), 29=175(LC 12), 25=266(LC 13), 18=929(LC 9), 28=736(LC 18),  
 24=643(LC 18), 19=616(LC 3)  
 Max Grav All reactions 250 lb or less at joint(s) 37, 36, 35, 33, 32, 31, 30, 21, 20  
 except 2=353(LC 1), 34=1228(LC 1), 29=340(LC 26), 27=1217(LC 18), 25=1274(LC 21),  
 18=2303(LC 25), 18=2301(LC 1), 22=309(LC 18), 19=329(LC 9)

**FORCES.** (lb) - Max. Comp./Max. Ten. - All forces 250 (lb) or less except when shown.

TOP CHORD	2-3=-471/267, 3-5=-897/613, 5-6=-824/785, 6-7=-742/729, 9-10=-822/716, 10-11=-920/681, 11-12=-892/659, 12-14=-799/394, 14-15=-1002/1155, 15-16=-963/911, 7-8=-691/748, 8-9=-692/748
BOT CHORD	2-37=-100/362, 36-37=-69/326, 35-36=-82/345, 34-35=-78/338, 33-34=-80/340, 32-33=-80/342, 31-32=-80/342, 30-31=-80/342, 29-30=-81/340, 28-29=-56/674, 27-28=-52/675, 25-27=-31/658, 24-25=-45/371, 22-24=-57/371, 21-22=-45/371, 20-21=-45/371, 19-20=-45/371, 18-19=-45/371, 16-18=-799/998
WEBS	3-29=-70/432, 14-25=-300/544, 3-34=-1050/623, 12-25=-660/601, 5-29=-433/307, 14-18=-1862/1205

- NOTES-**
- Unbalanced roof live loads have been considered for this design.
  - Wind: ASCE 7-10; Vult=130mph (3-second gust) Vasd=103mph; TCDL=6.0psf; BCDL=6.0psf; h=15ft; Cat. II; Exp C; Enclosed; MWFRS (envelope) gable end zone and C-C Corner(3) 0-8-10 to 3-8-3, Exterior(2) 3-8-3 to 25-6-1, Corner(3) 25-6-1 to 29-10-14, Exterior(2) 29-10-14 to 33-6-0, Corner(3) 33-6-0 to 37-10-13, Exterior(2) 37-10-13 to 62-4-8 zone; cantilever right exposed ;C-C for members and forces & MWFRS for reactions shown; Lumber DOL=1.60 plate grip DOL=1.60
  - Truss designed for wind loads in the plane of the truss only. For studs exposed to wind (normal to the face), see Standard Industry Gable End Details as applicable, or consult qualified building designer as per ANSI/TPI 1.



April 22, 2021

Continued on page 2

**WARNING - Verify design parameters and READ NOTES ON THIS AND INCLUDED MITEK REFERENCE PAGE MII-7473 rev. 5/19/2020 BEFORE USE.**  
 Design valid for use only with MiTek® connectors. This design is based only upon parameters shown, and is for an individual building component, not a truss system. Before use, the building designer must verify the applicability of design parameters and properly incorporate this design into the overall building design. Bracing indicated is to prevent buckling of individual truss web and/or chord members only. Additional temporary and permanent bracing is always required for stability and to prevent collapse with possible personal injury and property damage. For general guidance regarding the fabrication, storage, delivery, erection and bracing of trusses and truss systems, see **ANSI/TPI1 Quality Criteria, DSB-89 and BCSI Building Component Safety Information** available from Truss Plate Institute, 2670 Crain Highway, Suite 203 Waldorf, MD 20601

**ENGINEERING BY**  
**TRENCO**  
 A MiTek Affiliate

818 Soundside Road  
 Edenton, NC 27932

Job	Truss	Truss Type	Qty	Ply	Weaver/Lot 2 Atkins Farm Estates/JoCo	E15647881
J0421-2506	A1GE	GABLE	1	1	Job Reference (optional)	

Comtech, Inc, Fayetteville, NC - 28314,

8.330 s Oct 7 2020 MiTek Industries, Inc. Thu Apr 22 10:29:18 2021 Page 2  
ID:Sdzs0uuhUIT3B?9OD0R?ZKyk2HC-6nvRzxmbsv5KcC8tNyqsa6FOih7pxlPeHPRx0szOBgl

**NOTES-**

- 4) **WARNING:** This long span truss requires extreme care and experience for proper and safe handling and erection. For general handling and erection guidance, see Guide to Good Practice for Handling, Installing & Bracing of Metal Plate Connected Wood Trusses ("BCSI"), jointly produced by SBCA and TPI. The building owner or the owner's authorized agent shall contract with a qualified registered design professional for the design and inspection of the temporary installation restraint/bracing and the permanent individual truss member restraint/bracing. MiTek assumes no responsibility for truss manufacture, handling, erection, or bracing.
- 5) Provide adequate drainage to prevent water ponding.
- 6) All plates are 2x4 MT20 unless otherwise indicated.
- 7) Gable studs spaced at 2-0-0 oc.
- 8) This truss has been designed for a 10.0 psf bottom chord live load nonconcurrent with any other live loads.
- 9) \* This truss has been designed for a live load of 20.0psf on the bottom chord in all areas where a rectangle 3-6-0 tall by 2-0-0 wide will fit between the bottom chord and any other members, with BC DL = 10.0psf.
- 10) Provide mechanical connection (by others) of truss to bearing plate capable of withstanding 100 lb uplift at joint(s) 37, 36 except (jt=lb) 2=154, 34=428, 29=175, 25=266, 18=929, 28=736, 24=643, 19=616.
- 11) See Standard Industry Piggyback Truss Connection Detail for Connection to base truss as applicable, or consult qualified building designer.
- 12) Graphical purlin representation does not depict the size or the orientation of the purlin along the top and/or bottom chord.
- 13) Attic room checked for L/360 deflection.

**WARNING - Verify design parameters and READ NOTES ON THIS AND INCLUDED MITEK REFERENCE PAGE MII-7473 rev. 5/19/2020 BEFORE USE.**

Design valid for use only with MiTek® connectors. This design is based only upon parameters shown, and is for an individual building component, not a truss system. Before use, the building designer must verify the applicability of design parameters and properly incorporate this design into the overall building design. Bracing indicated is to prevent buckling of individual truss web and/or chord members only. Additional temporary and permanent bracing is always required for stability and to prevent collapse with possible personal injury and property damage. For general guidance regarding the fabrication, storage, delivery, erection and bracing of trusses and truss systems, see **ANSI/TPI1 Quality Criteria, DSB-89 and BCSI Building Component Safety Information** available from Truss Plate Institute, 2670 Crain Highway, Suite 203 Waldorf, MD 20601



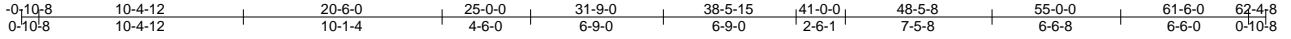
818 Soundside Road  
Edenton, NC 27932

Job	Truss	Truss Type	Qty	Ply	Weaver/Lot 2 Atkins Farm Estates/JoCo	E15647882
J0421-2506	A2	ROOF TRUSS	5	1		

Comtech, Inc. Fayetteville, NC - 28314,

8.330 s Oct 7 2020 MiTek Industries, Inc. Thu Apr 22 10:29:20 2021 Page 1

ID:Sdzs0uuhUIT3B?9ODOR?ZKyk2HC-3A1COdnrOWL2rVIGUNskFXLlJUK2P27xkiw25lzOBjg



Scale = 1:117.1

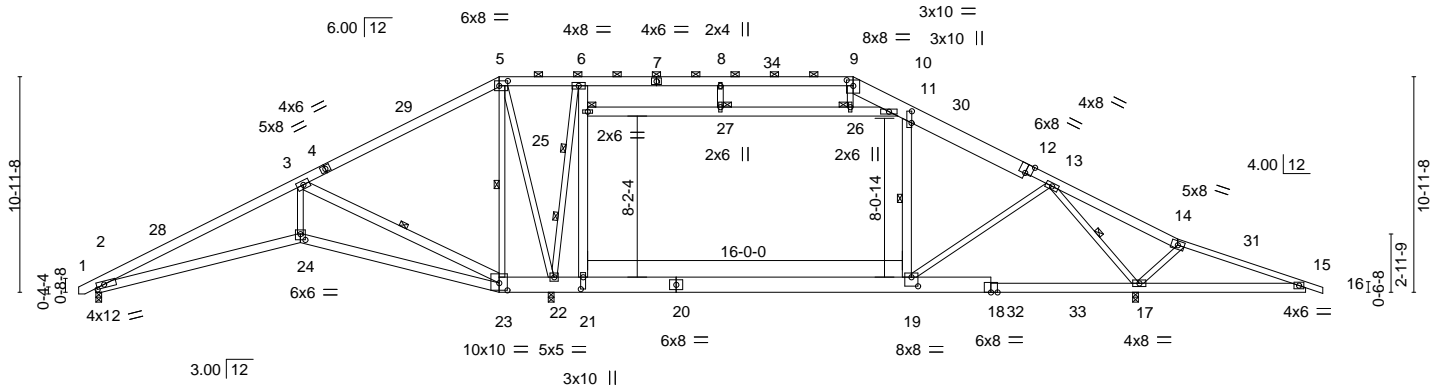


Plate Offsets (X,Y)--	[2:0-4-9,0-2-0], [5:0-5-4,0-3-0], [9:0-4-0,0-3-8], [11:0-7-2,0-0-4], [12:0-4-0,Edge], [19:0-4-0,0-5-8], [21:0-7-4,0-1-8], [23:0-5-0,0-4-7], [24:0-3-0,0-3-8]
-----------------------	--

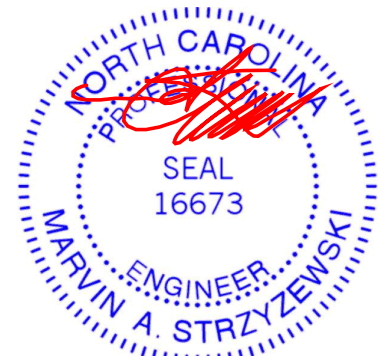
LOADING (psf)	SPACING-	CSL	DEFL.	PLATES	GRIP
TCLL 20.0	Plate Grip DOL 1.15	TC 0.83	Vert(LL) -0.40 19-21 >897 360	MT20	244/190
TCDL 10.0	Lumber DOL 1.15	BC 0.73	Vert(CT) -0.69 19-21 >522 240		
BCLL 0.0 *	Rep Stress Incr YES	WB 1.00	Horz(CT) 0.28 17 n/a n/a		
BCDL 10.0	Code IRC2015/TPI2014	Matrix-S	Wind(LL) 0.11 2-24 >999 240	Weight: 537 lb	FT = 20%

LUMBER-	BRACING-
TOP CHORD 2x6 SP No.1 *Except* 9-12: 2x10 SP No.1, 14-16: 2x4 SP No.1	TOP CHORD Structural wood sheathing directly applied or 2-8-10 oc purlins, except 2-0-0 oc purlins (4-3-8 max.): 5-9.
BOT CHORD 2x6 SP No.1 *Except* 20-23,18-20: 2x10 SP 2400F 2.0E	BOT CHORD Rigid ceiling directly applied or 6-0-0 oc bracing.
WEBS 2x4 SP No.2 *Except* 3-23,6-21,11-19,10-25: 2x6 SP No.1, 6-22: 2x4 SP No.1	WEBS 1 Row at midpt 3-23, 11-19, 5-23, 13-17 2 Rows at 1/3 pts 6-22
	JOINTS 1 Brace at Jt(s): 25, 26, 27

**REACTIONS.** (size) 2=0-3-8, 22=0-3-8, 17=0-3-8 (req. 0-3-9)  
Max Horz 2=141(LC 10)  
Max Grav 2=1522(LC 2), 22=1856(LC 26), 17=2995(LC 27)

**FORCES.** (lb) - Max. Comp./Max. Ten. - All forces 250 (lb) or less except when shown.  
TOP CHORD 2-3=-4764/135, 3-5=-1854/71, 9-10=-2219/74, 10-11=-2250/25, 11-13=-2554/0,  
13-14=-862/1146, 14-15=-853/902, 5-6=-1794/53, 6-8=-2140/34, 8-9=-2145/33  
BOT CHORD 2-24=0/4285, 23-24=0/4276, 22-23=0/1585, 21-22=0/2141, 19-21=0/2174, 17-19=0/1461,  
15-17=-792/858  
WEBS 3-23=-3000/310, 6-22=-2620/0, 21-25=0/2118, 6-25=0/2195, 13-19=-93/1100,  
3-24=0/2269, 11-19=-259/554, 9-26=0/349, 5-23=-412/213, 5-22=0/1139,  
13-17=-3312/507

- NOTES-**
- Unbalanced roof live loads have been considered for this design.
  - Wind: ASCE 7-10; Vult=130mph (3-second gust) Vasd=103mph; TCDL=6.0psf; BCDL=6.0psf; h=15ft; Cat. II; Exp C; Enclosed; MWFRS (envelope) and C-C Exterior(2) -0-8-10 to 3-8-3, Interior(1) 3-8-3 to 20-6-0, Exterior(2) 20-6-0 to 24-7-8, Interior(1) 24-7-8 to 38-5-15, Exterior(2) 38-5-15 to 42-10-12, Interior(1) 42-10-12 to 62-4-8 zone; cantilever right exposed ;C-C for members and forces & MWFRS for reactions shown; Lumber DOL=1.60 plate grip DOL=1.60
  - WARNING:** This long span truss requires extreme care and experience for proper and safe handling and erection. For general handling and erection guidance, see Guide to Good Practice for Handling, Installing & Bracing of Metal Plate Connected Wood Trusses ("BCSI"), jointly produced by SBCA and TPI. The building owner or the owner's authorized agent shall contract with a qualified registered design professional for the design and inspection of the temporary installation restraint/bracing and the permanent individual truss member restraint/bracing. MiTek assumes no responsibility for truss manufacture, handling, erection, or bracing.
  - Provide adequate drainage to prevent water ponding.
  - This truss has been designed for a 10.0 psf bottom chord live load nonconcurrent with any other live loads.
  - \* This truss has been designed for a live load of 20.0psf on the bottom chord in all areas where a rectangle 3-6-0 tall by 2-0-0 wide will fit between the bottom chord and any other members, with BCDL = 10.0psf.
  - Ceiling dead load (10.0 psf) on member(s). 10-11, 25-27, 26-27, 10-26; Wall dead load (5.0psf) on member(s).21-25, 11-19
  - Bottom chord live load (40.0 psf) and additional bottom chord dead load (10.0 psf) applied only to room. 19-21
  - WARNING:** Required bearing size at joint(s) 17 greater than input bearing size.
  - Bearing at joint(s) 2 considers parallel to grain value using ANSI/TPI 1 angle to grain formula. Building designer should verify



April 22, 2021

**WARNING - Verify design parameters and READ NOTES ON THIS AND INCLUDED MITEK REFERENCE PAGE MII-7473 rev. 5/19/2020 BEFORE USE.**  
Design valid for use only with MiTek® connectors. This design is based only upon parameters shown, and is for an individual building component, not a truss system. Before use, the building designer must verify the applicability of design parameters and properly incorporate this design into the overall building design. Bracing indicated is to prevent buckling of individual truss web and/or chord members only. Additional temporary and permanent bracing is always required for stability and to prevent collapse with possible personal injury and property damage. For general guidance regarding the fabrication, storage, delivery, erection and bracing of trusses and truss systems, see **ANSI/TPI1 Quality Criteria, DSB-89 and BCSI Building Component Safety Information** available from Truss Plate Institute, 2670 Crain Highway, Suite 203 Waldorf, MD 20601

**TRENCO** ENGINEERING BY  
A MiTek Affiliate  
818 Soundside Road  
Edenton, NC 27932

Job	Truss	Truss Type	Qty	Ply	Weaver/Lot 2 Atkins Farm Estates/JoCo	E15647882
J0421-2506	A2	ROOF TRUSS	5	1	Job Reference (optional)	

Comtech, Inc, Fayetteville, NC - 28314,

8.330 s Oct 7 2020 MiTek Industries, Inc. Thu Apr 22 10:29:20 2021 Page 2  
 ID:Sdzs0uuuUIT3B?9OD0R?ZKyk2HC-3A1COdnrOWL2rVIGUNskFXLFJUK2P27xkiw25lzOBgj

**NOTES-**

- 11) See Standard Industry Piggyback Truss Connection Detail for Connection to base truss as applicable, or consult qualified building designer.
- 12) Graphical purlin representation does not depict the size or the orientation of the purlin along the top and/or bottom chord.
- 13) Attic room checked for L/360 deflection.

**WARNING - Verify design parameters and READ NOTES ON THIS AND INCLUDED MITEK REFERENCE PAGE MII-7473 rev. 5/19/2020 BEFORE USE.**

Design valid for use only with MiTek® connectors. This design is based only upon parameters shown, and is for an individual building component, not a truss system. Before use, the building designer must verify the applicability of design parameters and properly incorporate this design into the overall building design. Bracing indicated is to prevent buckling of individual truss web and/or chord members only. Additional temporary and permanent bracing is always required for stability and to prevent collapse with possible personal injury and property damage. For general guidance regarding the fabrication, storage, delivery, erection and bracing of trusses and truss systems, see **ANSI/TPI1 Quality Criteria, DSB-89 and BCSI Building Component Safety Information** available from Truss Plate Institute, 2670 Crain Highway, Suite 203 Waldorf, MD 20601



818 Soundside Road  
 Edenton, NC 27932



Job	Truss	Truss Type	Qty	Ply	Weaver/Lot 2 Atkins Farm Estates/JoCo	E15647883
J0421-2506	A2A	ROOF TRUSS	1	1	Job Reference (optional)	

Comtech, Inc, Fayetteville, NC - 28314,

8.330 s Oct 7 2020 MiTek Industries, Inc. Thu Apr 22 10:29:23 2021 Page 2  
 ID:Sdzs0uuhUIT3B?9OD0R?ZKyk2HC-TljK0epjhRjdiz1r9WP1HAz7KilpcPqNQg9ih4zOBgg

**NOTES-**

- 11) Graphical purlin representation does not depict the size or the orientation of the purlin along the top and/or bottom chord.
- 12) Attic room checked for L/360 deflection.

**WARNING - Verify design parameters and READ NOTES ON THIS AND INCLUDED MITEK REFERENCE PAGE MII-7473 rev. 5/19/2020 BEFORE USE.**

Design valid for use only with MiTek® connectors. This design is based only upon parameters shown, and is for an individual building component, not a truss system. Before use, the building designer must verify the applicability of design parameters and properly incorporate this design into the overall building design. Bracing indicated is to prevent buckling of individual truss web and/or chord members only. Additional temporary and permanent bracing is always required for stability and to prevent collapse with possible personal injury and property damage. For general guidance regarding the fabrication, storage, delivery, erection and bracing of trusses and truss systems, see **ANSI/TPI1 Quality Criteria, DSB-89 and BCSI Building Component Safety Information** available from Truss Plate Institute, 2670 Crain Highway, Suite 203 Waldorf, MD 20601



818 Soundside Road  
 Edenton, NC 27932

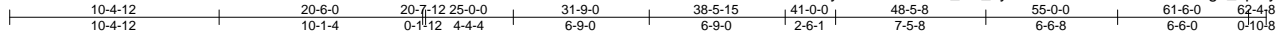


Job	Truss	Truss Type	Qty	Ply	Weaver/Lot 2 Atkins Farm Estates/JoCo	E15647884
J0421-2506	A3	ROOF TRUSS	3	1	Job Reference (optional)	

Comtech, Inc, Fayetteville, NC - 28314,

8.330 s Oct 7 2020 MiTek Industries, Inc. Thu Apr 22 10:29:25 2021 Page 1

ID:Sdzs0uuuUIT3B?9OD0R?ZKyk2HC-P7r5Rkr\_D3\_LyGADHwSVMb2XuVV34M4gu\_epmyzOBge



Scale = 1:114.4

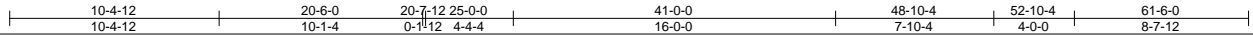
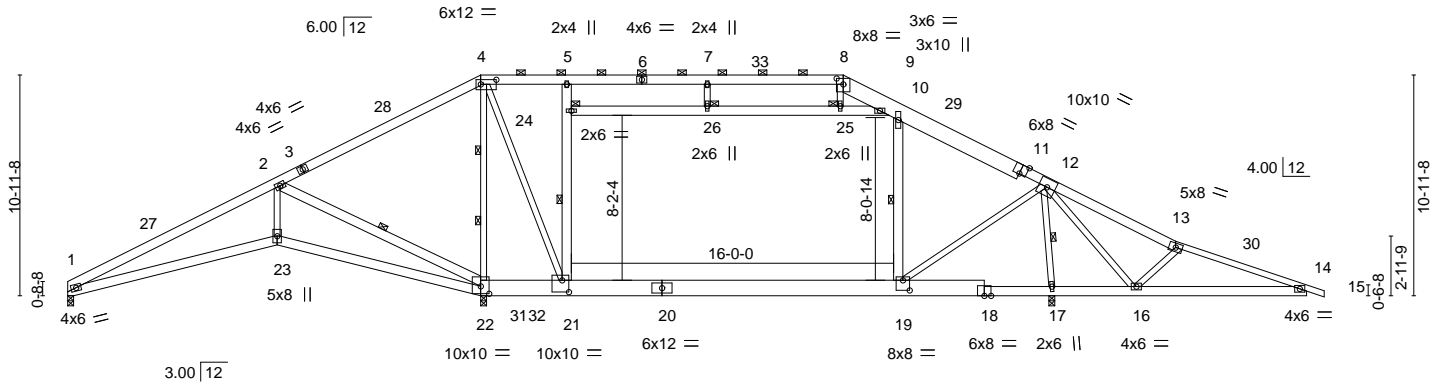


Plate Offsets (X,Y)-- [4:0-9-4,0-2-12], [8:0-4-0,0-3-8], [11:0-4-0,Edge], [19:0-4-0,0-6-0], [21:0-4-0,0-7-0], [22:0-5-0,0-4-7]

LOADING (psf)	SPACING-	CSI.	DEFL.	PLATES	GRIP
TCLL 20.0	Plate Grip DOL 1.15	TC 0.71	Vert(LL) -0.32 19-21 >999 360	MT20	244/190
TCDL 10.0	Lumber DOL 1.15	BC 0.49	Vert(CT) -0.50 19-21 >687 240		
BCLL 0.0 *	Rep Stress Incr YES	WB 0.82	Horz(CT) 0.13 17 n/a n/a		
BCDL 10.0	Code IRC2015/TPI2014	Matrix-S	Wind(LL) 0.06 1-23 >999 240		
				Weight: 528 lb	FT = 20%

**LUMBER-**

TOP CHORD 2x6 SP No.1 \*Except\*  
8-11: 2x10 SP No.1, 13-15: 2x4 SP No.1  
BOT CHORD 2x6 SP No.1 \*Except\*  
20-22,18-20: 2x10 SP 2400F 2.0E, 14-18: 2x6 SP 2400F 2.0E  
WEBS 2x4 SP No.2 \*Except\*  
2-22,5-21,10-19,9-24: 2x6 SP No.1

**BRACING-**

TOP CHORD Structural wood sheathing directly applied or 4-5-0 oc purlins, except 2-0-0 oc purlins (5-9-15 max.): 4-8.  
BOT CHORD Rigid ceiling directly applied or 6-0-0 oc bracing.  
WEBS 1 Row at midpt 2-22, 21-24, 10-19, 12-17  
2 Rows at 1/3 pts 4-22  
JOINTS 1 Brace at Jt(s): 24, 25, 26

**REACTIONS.**

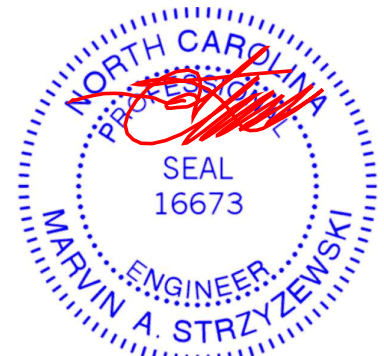
(size) 1=0-3-8, 22=0-3-8, 17=0-3-8  
Max Horz 1=142(LC 10)  
Max Grav 1=875(LC 24), 22=2457(LC 2), 17=3015(LC 27)

**FORCES.** (lb) - Max. Comp./Max. Ten. - All forces 250 (lb) or less except when shown.

TOP CHORD 1-2=-2249/0, 2-4=-510/93, 8-9=-1369/11, 9-10=-1336/0, 10-12=-1415/0,  
12-13=-840/1215, 13-14=-832/976, 4-5=-1200/0, 5-7=-1221/0, 7-8=-1226/0  
BOT CHORD 1-23=-20/1994, 22-23=-19/1986, 21-22=-26/642, 19-21=0/1221, 17-19=-1226/1170,  
16-17=-1293/1186, 14-16=-861/840  
WEBS 2-22=-1992/248, 21-24=-944/229, 5-24=-715/241, 12-19=-462/2640, 2-23=0/1165,  
10-19=-907/518, 8-25=0/350, 12-16=-441/446, 4-22=-2328/44, 4-21=0/2414,  
12-17=-3101/791

**NOTES-**

- Unbalanced roof live loads have been considered for this design.
- Wind: ASCE 7-10; Vult=130mph (3-second gust) Vasd=103mph; TCDL=6.0psf; BCDL=6.0psf; h=15ft; Cat. II; Exp C; Enclosed; MWFRS (envelope) and C-C Exterior(2) 0-1-12 to 4-6-9, Interior(1) 4-6-9 to 20-6-0, Exterior(2) 20-6-0 to 24-9-4, Interior(1) 24-9-4 to 38-5-15, Exterior(2) 38-5-15 to 42-10-12, Interior(1) 42-10-12 to 62-4-8 zone; cantilever right exposed ;C-C for members and forces & MWFRS for reactions shown; Lumber DOL=1.60 plate grip DOL=1.60
- WARNING: This long span truss requires extreme care and experience for proper and safe handling and erection. For general handling and erection guidance, see Guide to Good Practice for Handling, Installing & Bracing of Metal Plate Connected Wood Trusses ("BCSI"), jointly produced by SBCA and TPI. The building owner or the owner's authorized agent shall contract with a qualified registered design professional for the design and inspection of the temporary installation restraint/bracing and the permanent individual truss member restraint/bracing. MiTek assumes no responsibility for truss manufacture, handling, erection, or bracing.
- Provide adequate drainage to prevent water ponding.
- This truss has been designed for a 10.0 psf bottom chord live load nonconcurrent with any other live loads.
- \* This truss has been designed for a live load of 20.0psf on the bottom chord in all areas where a rectangle 3-6-0 tall by 2-0-0 wide will fit between the bottom chord and any other members, with BCDL = 10.0psf.
- Ceiling dead load (10.0 psf) on member(s). 9-10, 24-26, 25-26, 9-25; Wall dead load (5.0psf) on member(s).21-24, 10-19
- Bottom chord live load (40.0 psf) and additional bottom chord dead load (10.0 psf) applied only to room. 19-21
- Bearing at joint(s) 1 considers parallel to grain value using ANSI/TPI 1 angle to grain formula. Building designer should verify capacity of bearing surface.
- Graphical purlin representation does not depict the size or the orientation of the purlin along the top and/or bottom chord.



April 22, 2021

Continued on page 2

WARNING - Verify design parameters and READ NOTES ON THIS AND INCLUDED MITEK REFERENCE PAGE MII-7473 rev. 5/19/2020 BEFORE USE.

Design valid for use only with MiTek® connectors. This design is based only upon parameters shown, and is for an individual building component, not a truss system. Before use, the building designer must verify the applicability of design parameters and properly incorporate this design into the overall building design. Bracing indicated is to prevent buckling of individual truss web and/or chord members only. Additional temporary and permanent bracing is always required for stability and to prevent collapse with possible personal injury and property damage. For general guidance regarding the fabrication, storage, delivery, erection and bracing of trusses and truss systems, see ANSI/TPI1 Quality Criteria, DSB-89 and BCSI Building Component Safety Information available from Truss Plate Institute, 2670 Crain Highway, Suite 203 Waldorf, MD 20601



818 Soundside Road  
Edenton, NC 27932



Job	Truss	Truss Type	Qty	Ply	Weaver/Lot 2 Atkins Farm Estates/JoCo	E15647884
J0421-2506	A3	ROOF TRUSS	3	1	Job Reference (optional)	

Comtech, Inc, Fayetteville, NC - 28314,

8.330 s Oct 7 2020 MiTek Industries, Inc. Thu Apr 22 10:29:25 2021 Page 2  
 ID:Sdzs0uuhUIT3B?9OD0R?ZKyk2HC-P7r5Rkr\_D3\_LyGADHwSVMb2XuVV34M4gu\_epmyzOBge

**NOTES-**

11) Attic room checked for L/360 deflection.

**WARNING - Verify design parameters and READ NOTES ON THIS AND INCLUDED MITEK REFERENCE PAGE MII-7473 rev. 5/19/2020 BEFORE USE.**

Design valid for use only with MiTek® connectors. This design is based only upon parameters shown, and is for an individual building component, not a truss system. Before use, the building designer must verify the applicability of design parameters and properly incorporate this design into the overall building design. Bracing indicated is to prevent buckling of individual truss web and/or chord members only. Additional temporary and permanent bracing is always required for stability and to prevent collapse with possible personal injury and property damage. For general guidance regarding the fabrication, storage, delivery, erection and bracing of trusses and truss systems, see **ANSI/TPI1 Quality Criteria, DSB-89 and BCSI Building Component Safety Information** available from Truss Plate Institute, 2670 Crain Highway, Suite 203 Waldorf, MD 20601



818 Soundside Road  
 Edenton, NC 27932

Job	Truss	Truss Type	Qty	Ply	Weaver/Lot 2 Atkins Farm Estates/JoCo	E15647885
J0421-2506	A4	ROOF TRUSS	3	1	Job Reference (optional)	

Comtech, Inc., Fayetteville, NC - 28314,

8.330 s Oct 7 2020 MiTek Industries, Inc. Thu Apr 22 10:29:26 2021 Page 1

ID:Sdzs0uuhUIT3B?9OD0R?ZKyk2HC-tKOTegsc\_M6CZQlQrezkvobm?vkJpsop6eNMPzOBgd

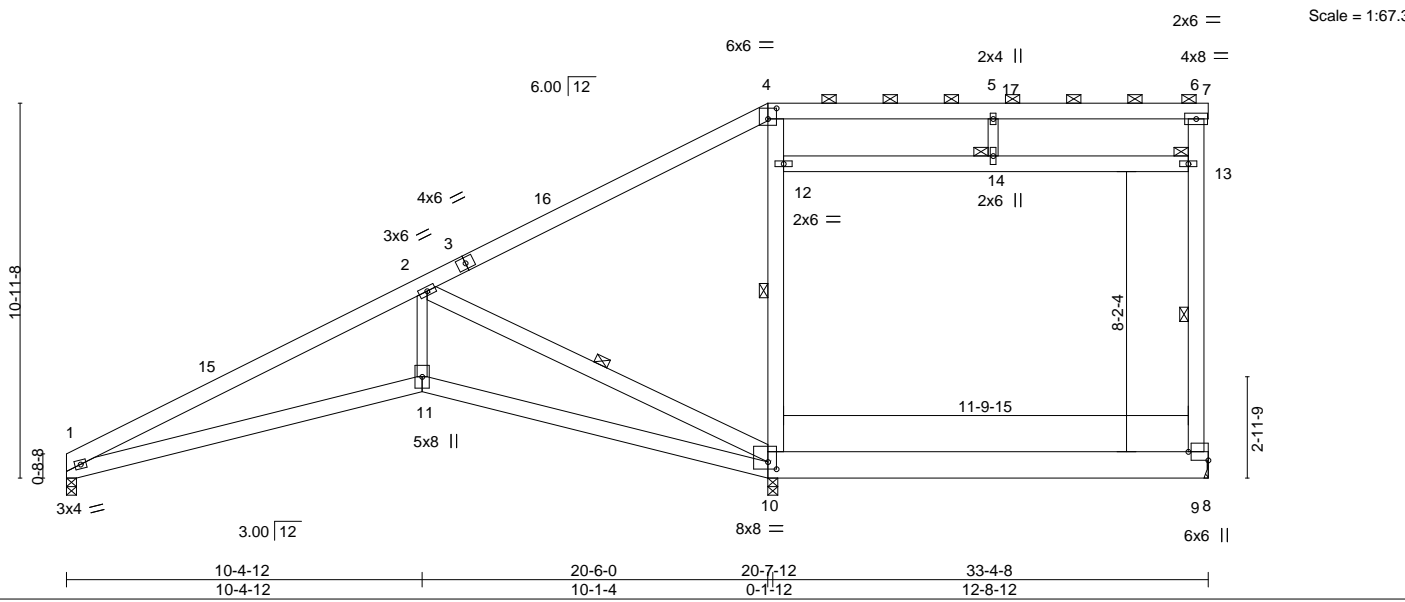
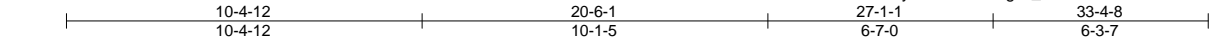


Plate Offsets (X,Y)-- [4:0-3-0,0-3-12], [9:Edge,0-7-0], [10:0-3-0,0-2-8]

LOADING (psf)	SPACING-	2-0-0	CSI.	DEFL.	in (loc)	l/defl	L/d	PLATES	GRIP	
TCLL 20.0	Plate Grip DOL	1.15	TC 0.50	Vert(LL)	-0.24	9-10	>629	360	MT20	244/190
TCDL 10.0	Lumber DOL	1.15	BC 0.93	Vert(CT)	-0.35	9-10	>436	240		
BCLL 0.0 *	Rep Stress Incr	YES	WB 0.60	Horz(CT)	0.11	9	n/a	n/a		
BCDL 10.0	Code	IRC2015/TPI2014	Matrix-S	Wind(LL)	0.08	1-11	>999	240		
									Weight: 289 lb	FT = 20%

**LUMBER-**

TOP CHORD 2x6 SP No.1  
 BOT CHORD 2x6 SP No.1 \*Except\*  
 8-10: 2x10 SP No.1  
 WEBS 2x6 SP No.1 \*Except\*  
 2-11,5-14: 2x4 SP No.2

**BRACING-**

TOP CHORD Structural wood sheathing directly applied or 4-7-12 oc purlins, except end verticals, and 2-0-0 oc purlins (6-0-0 max.): 4-7.  
 BOT CHORD Rigid ceiling directly applied or 2-2-0 oc bracing.  
 WEBS 1 Row at midpt 9-13, 2-10, 10-12  
 JOINTS 1 Brace at Jt(s): 6, 13, 14

**REACTIONS.**

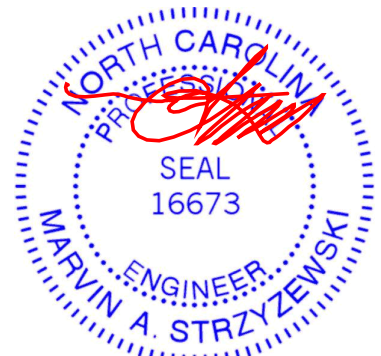
(size) 9=Mechanical, 1=0-3-8, 10=0-3-8  
 Max Horz 1=343(LC 12)  
 Max Grav 9=1093(LC 2), 1=809(LC 1), 10=1861(LC 2)

**FORCES.** (lb) - Max. Comp./Max. Ten. - All forces 250 (lb) or less except when shown.

TOP CHORD 1-2=-1961/301, 2-4=-333/203, 9-13=-523/107, 6-13=-371/100  
 BOT CHORD 1-11=-935/1730, 10-11=-933/1720  
 WEBS 2-11=-328/1031, 2-10=-1810/826, 10-12=-836/436, 4-12=-589/425

**NOTES-**

- 1) Wind: ASCE 7-10; Vult=130mph (3-second gust) Vasd=103mph; TCDL=6.0psf; BCDL=6.0psf; h=15ft; Cat. II; Exp C; Enclosed; MWFRS (envelope) and C-C Exterior(2) 0-1-12 to 4-6-9, Interior(1) 4-6-9 to 20-6-1, Exterior(2) 20-6-1 to 26-8-11, Interior(1) 26-8-11 to 33-4-8 zone; C-C for members and forces & MWFRS for reactions shown; Lumber DOL=1.60 plate grip DOL=1.60
- 2) Provide adequate drainage to prevent water ponding.
- 3) This truss has been designed for a 10.0 psf bottom chord live load nonconcurrent with any other live loads.
- 4) \* This truss has been designed for a live load of 20.0psf on the bottom chord in all areas where a rectangle 3-6-0 tall by 2-0-0 wide will fit between the bottom chord and any other members.
- 5) Ceiling dead load (10.0 psf) on member(s). 12-14, 13-14; Wall dead load (5.0psf) on member(s).10-12
- 6) Bottom chord live load (40.0 psf) and additional bottom chord dead load (10.0 psf) applied only to room. 9-10
- 7) Refer to girder(s) for truss to truss connections.
- 8) Bearing at joint(s) 1, 10 considers parallel to grain value using ANSI/TPI 1 angle to grain formula. Building designer should verify capacity of bearing surface.
- 9) Graphical purlin representation does not depict the size or the orientation of the purlin along the top and/or bottom chord.
- 10) Attic room checked for L/360 deflection.



April 22, 2021

**WARNING - Verify design parameters and READ NOTES ON THIS AND INCLUDED MITEK REFERENCE PAGE MII-7473 rev. 5/19/2020 BEFORE USE.**

Design valid for use only with MiTek® connectors. This design is based only upon parameters shown, and is for an individual building component, not a truss system. Before use, the building designer must verify the applicability of design parameters and properly incorporate this design into the overall building design. Bracing indicated is to prevent buckling of individual truss web and/or chord members only. Additional temporary and permanent bracing is always required for stability and to prevent collapse with possible personal injury and property damage. For general guidance regarding the fabrication, storage, delivery, erection and bracing of trusses and truss systems, see

**ANSI/TPI1 Quality Criteria, DSB-89 and BCSI Building Component**

**Safety Information** available from Truss Plate Institute, 2670 Crain Highway, Suite 203 Waldorf, MD 20601



818 Soundside Road  
 Edenton, NC 27932

Job	Truss	Truss Type	Qty	Ply	Weaver/Lot 2 Atkins Farm Estates/JoCo	E15647886
J0421-2506	A4A	ROOF TRUSS	1	1	Job Reference (optional)	

Comtech, Inc., Fayetteville, NC - 28314,

8.330 s Oct 7 2020 MiTek Industries, Inc. Thu Apr 22 10:29:27 2021 Page 1  
ID:Sdzs0uuuUIT3B?9OD0R?ZKyk2HC-LWYrs0tElgE2BaKcOLUzR07wRJ3qYJzLl7wqrzOBgc

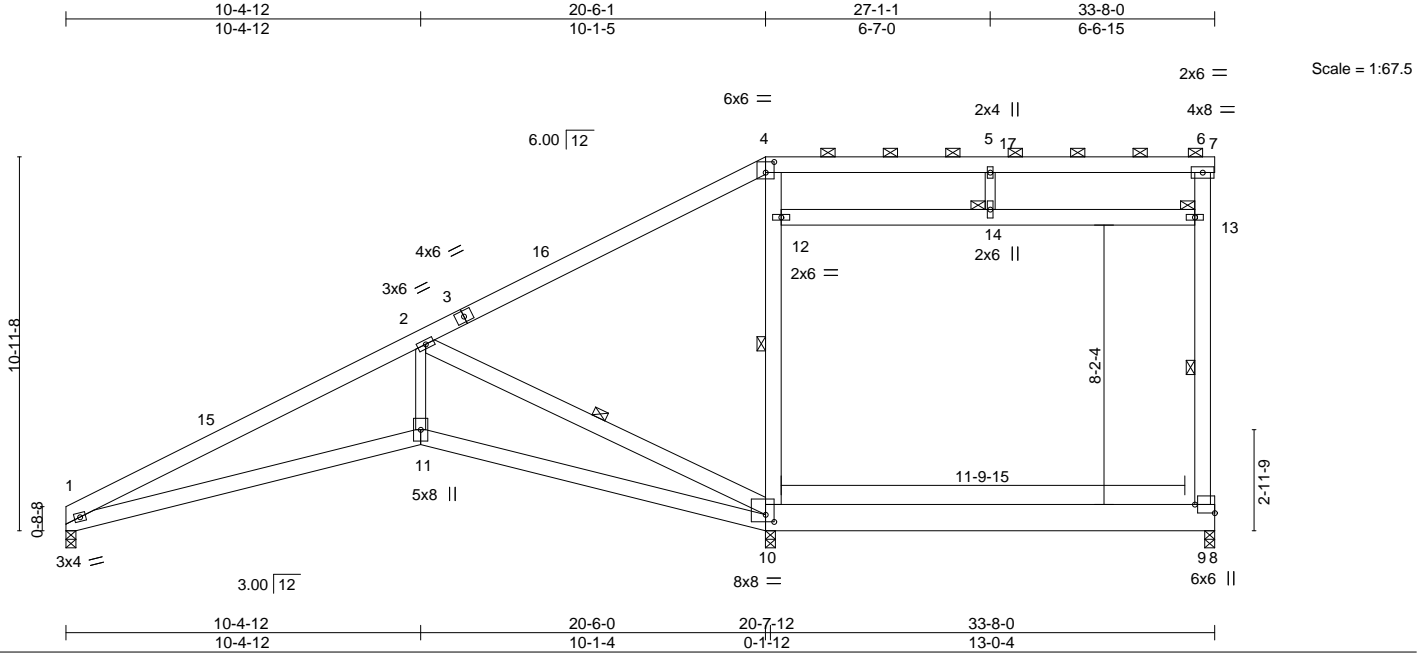


Plate Offsets (X,Y)-- [4:0-3-0,0-3-12], [9:Edge,0-7-0], [10:0-3-0,0-2-8]

LOADING (psf)	SPACING-	CSL	DEFL.	in (loc)	l/defl	L/d	PLATES	GRIP
TCLL 20.0	2-0-0	TC 0.52	Vert(LL) -0.26	9-10	>589	360	MT20	244/190
TCDL 10.0	Plate Grip DOL 1.15	BC 0.98	Vert(CT) -0.38	9-10	>407	240		
BCLL 0.0 *	Lumber DOL 1.15	WB 0.60	Horz(CT) 0.11	9	n/a	n/a		
BCDL 10.0	Rep Stress Incr YES	Matrix-S	Wind(LL) 0.08	1-11	>999	240		
	Code IRC2015/TPI2014						Weight: 292 lb	FT = 20%

**LUMBER-**

TOP CHORD 2x6 SP No.1  
BOT CHORD 2x6 SP No.1 \*Except\*  
8-10: 2x10 SP No.1  
WEBS 2x6 SP No.1 \*Except\*  
2-11,5-14: 2x4 SP No.2

**BRACING-**

TOP CHORD Structural wood sheathing directly applied or 4-7-7 oc purlins, except end verticals, and 2-0-0 oc purlins (6-0-0 max.): 4-7.  
Rigid ceiling directly applied or 2-2-0 oc bracing.  
BOT CHORD 1 Row at midpt 9-13, 2-10, 10-12  
WEBS 1 Brace at Jt(s): 6, 13, 14  
JOINTS

**REACTIONS.**

(size) 9=0-3-8, 1=0-3-8, 10=0-3-8  
Max Horz 1=343(LC 12)  
Max Grav 9=1120(LC 2), 1=811(LC 1), 10=1883(LC 2)

**FORCES.** (lb) - Max. Comp./Max. Ten. - All forces 250 (lb) or less except when shown.

TOP CHORD 1-2=-1965/303, 2-4=-332/200, 9-13=-536/110, 6-13=-382/106  
BOT CHORD 1-11=-936/1733, 10-11=-935/1723  
WEBS 2-11=-329/1032, 2-10=-1808/827, 10-12=-846/437, 4-12=-594/425

**NOTES-**

- 1) Wind: ASCE 7-10; Vult=130mph (3-second gust) Vasd=103mph; TCDL=6.0psf; BCDL=6.0psf; h=15ft; Cat. II; Exp C; Enclosed; MWFRS (envelope) and C-C Exterior(2) 0-1-12 to 4-6-9, Interior(1) 4-6-9 to 20-6-1, Exterior(2) 20-6-1 to 26-8-11, Interior(1) 26-8-11 to 33-8-0 zone; C-C for members and forces & MWFRS for reactions shown; Lumber DOL=1.60 plate grip DOL=1.60
- 2) Provide adequate drainage to prevent water ponding.
- 3) This truss has been designed for a 10.0 psf bottom chord live load nonconcurrent with any other live loads.
- 4) \* This truss has been designed for a live load of 20.0psf on the bottom chord in all areas where a rectangle 3-6-0 tall by 2-0-0 wide will fit between the bottom chord and any other members.
- 5) Ceiling dead load (10.0 psf) on member(s). 12-14, 13-14; Wall dead load (5.0psf) on member(s). 10-12
- 6) Bottom chord live load (40.0 psf) and additional bottom chord dead load (10.0 psf) applied only to room. 9-10
- 7) Bearing at joint(s) 1, 10 considers parallel to grain value using ANSI/TPI 1 angle to grain formula. Building designer should verify capacity of bearing surface.
- 8) Graphical purlin representation does not depict the size or the orientation of the purlin along the top and/or bottom chord.
- 9) Attic room checked for L/360 deflection.



April 22, 2021

**WARNING - Verify design parameters and READ NOTES ON THIS AND INCLUDED MITEK REFERENCE PAGE MII-7473 rev. 5/19/2020 BEFORE USE.**

Design valid for use only with MiTek® connectors. This design is based only upon parameters shown, and is for an individual building component, not a truss system. Before use, the building designer must verify the applicability of design parameters and properly incorporate this design into the overall building design. Bracing indicated is to prevent buckling of individual truss web and/or chord members only. Additional temporary and permanent bracing is always required for stability and to prevent collapse with possible personal injury and property damage. For general guidance regarding the fabrication, storage, delivery, erection and bracing of trusses and truss systems, see

**ANSI/TPI1 Quality Criteria, DSB-89 and BCSI Building Component**

**Safety Information** available from Truss Plate Institute, 2670 Crain Highway, Suite 203 Waldorf, MD 20601



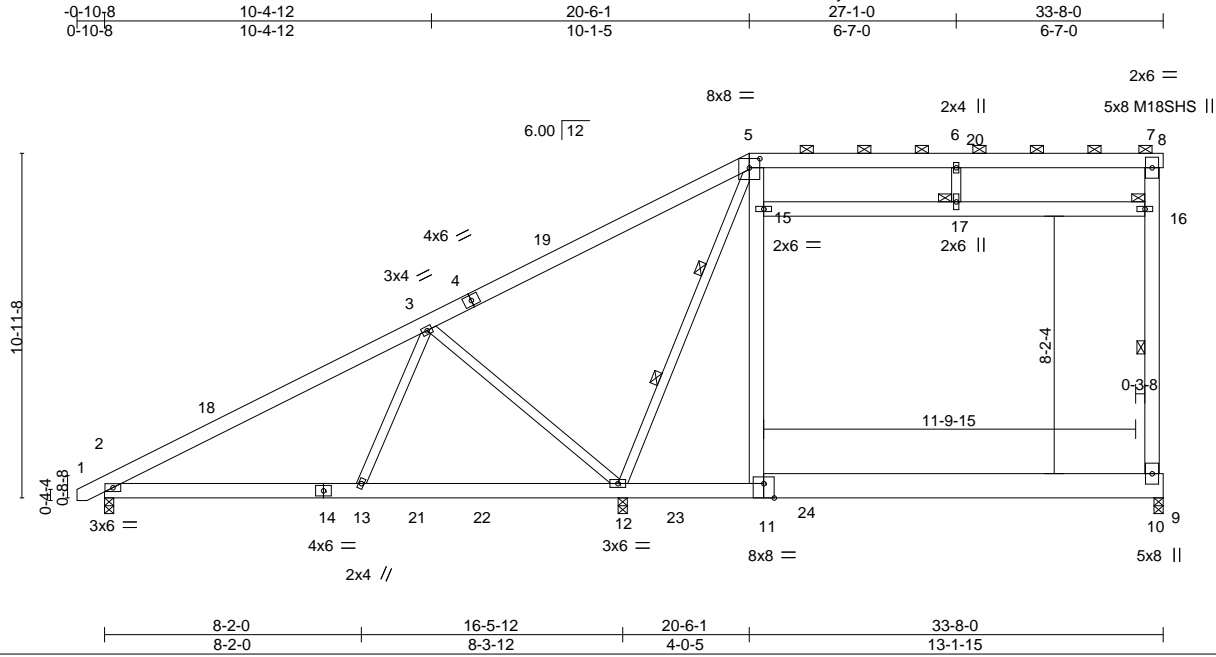
818 Soundside Road  
Edenton, NC 27932

Job	Truss	Truss Type	Qty	Ply	Weaver/Lot 2 Atkins Farm Estates/JoCo	E15647887
J0421-2506	A5	ROOF TRUSS	4	1	Job Reference (optional)	

Comtech, Inc., Fayetteville, NC - 28314,

8.330 s Oct 7 2020 MiTek Industries, Inc. Thu Apr 22 10:29:29 2021 Page 1

ID:Sdzs0uuhUIT3B?9OD0R?ZKyk2HC-lu4bHiuUHHUmuQuU?WmWRXRdGA7nb08XFoccvkzOBga



Scale = 1:73.3

Plate Offsets (X,Y)-- [5:0-4-0,0-3-8], [11:0-4-0,Edge]

LOADING (psf)	SPACING-	CSI.	DEFL.	in (loc)	l/defl	L/d	PLATES	GRIP
TCLL 20.0	Plate Grip DOL 1.15	TC 0.57	Vert(LL) -0.21	10-11	>950	360	MT20	244/190
TCDL 10.0	Lumber DOL 1.15	BC 0.83	Vert(CT) -0.33	10-11	>623	240	M18SHS	244/190
BCLL 0.0 *	Rep Stress Incr YES	WB 0.92	Horz(CT) -0.01	10	n/a	n/a		
BCDL 10.0	Code IRC2015/TPI2014	Matrix-S	Wind(LL) 0.03	2-13	>999	240		
							Weight: 298 lb	FT = 20%

**LUMBER-**

TOP CHORD 2x6 SP No.1  
 BOT CHORD 2x6 SP No.1 \*Except\*  
 9-11: 2x10 SP No.1  
 WEBS 2x4 SP No.2 \*Except\*  
 7-10,5-11,15-16: 2x6 SP No.1

**REACTIONS.**

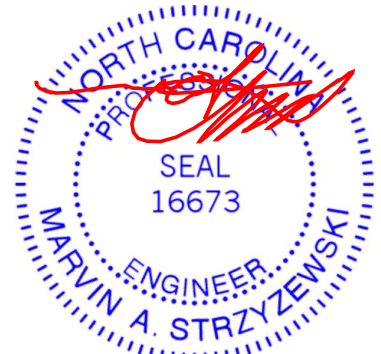
(size) 10=0-3-8, 2=0-3-8, 12=0-3-8  
 Max Horz 2=346(LC 12)  
 Max Uplift 2=-35(LC 12)  
 Max Grav 10=1097(LC 2), 2=456(LC 1), 12=2480(LC 2)

**FORCES.** (lb) - Max. Comp./Max. Ten. - All forces 250 (lb) or less except when shown.

TOP CHORD 2-3=-371/313, 3-5=-371/892, 5-6=-272/6, 6-7=-272/6, 10-16=-549/112, 7-16=-402/109  
 BOT CHORD 2-13=-368/271, 12-13=-403/188  
 WEBS 11-15=0/1077, 5-15=0/1192, 5-12=-2060/141, 3-12=-815/356, 3-13=0/402

**NOTES-**

- 1) Wind: ASCE 7-10; Vult=130mph (3-second gust) Vasd=103mph; TCDL=6.0psf; BCDL=6.0psf; h=15ft; Cat. II; Exp C; Enclosed; MWFRS (envelope) and C-C Exterior(2) -0-8-10 to 3-8-3, Interior(1) 3-8-3 to 20-6-1, Exterior(2) 20-6-1 to 26-8-11, Interior(1) 26-8-11 to 33-8-0 zone;C-C for members and forces & MWFRS for reactions shown; Lumber DOL=1.60 plate grip DOL=1.60
- 2) Provide adequate drainage to prevent water ponding.
- 3) All plates are MT20 plates unless otherwise indicated.
- 4) This truss has been designed for a 10.0 psf bottom chord live load nonconcurrent with any other live loads.
- 5) \* This truss has been designed for a live load of 20.0psf on the bottom chord in all areas where a rectangle 3-6-0 tall by 2-0-0 wide will fit between the bottom chord and any other members, with BCDL = 10.0psf.
- 6) Ceiling dead load (10.0 psf) on member(s). 15-17, 16-17; Wall dead load (5.0psf) on member(s).11-15
- 7) Bottom chord live load (40.0 psf) and additional bottom chord dead load (10.0 psf) applied only to room. 10-11
- 8) Provide mechanical connection (by others) of truss to bearing plate capable of withstanding 100 lb uplift at joint(s) 2.
- 9) See Standard Industry Piggyback Truss Connection Detail for Connection to base truss as applicable, or consult qualified building designer.
- 10) Graphical purlin representation does not depict the size or the orientation of the purlin along the top and/or bottom chord.
- 11) Attic room checked for L/360 deflection.



April 22, 2021

**WARNING - Verify design parameters and READ NOTES ON THIS AND INCLUDED MITEK REFERENCE PAGE MII-7473 rev. 5/19/2020 BEFORE USE.**

Design valid for use only with MiTek® connectors. This design is based only upon parameters shown, and is for an individual building component, not a truss system. Before use, the building designer must verify the applicability of design parameters and properly incorporate this design into the overall building design. Bracing indicated is to prevent buckling of individual truss web and/or chord members only. Additional temporary and permanent bracing is always required for stability and to prevent collapse with possible personal injury and property damage. For general guidance regarding the fabrication, storage, delivery, erection and bracing of trusses and truss systems, see

**ANSI/TPI1 Quality Criteria, DSB-89 and BCSI Building Component**

**Safety Information** available from Truss Plate Institute, 2670 Crain Highway, Suite 203 Waldorf, MD 20601



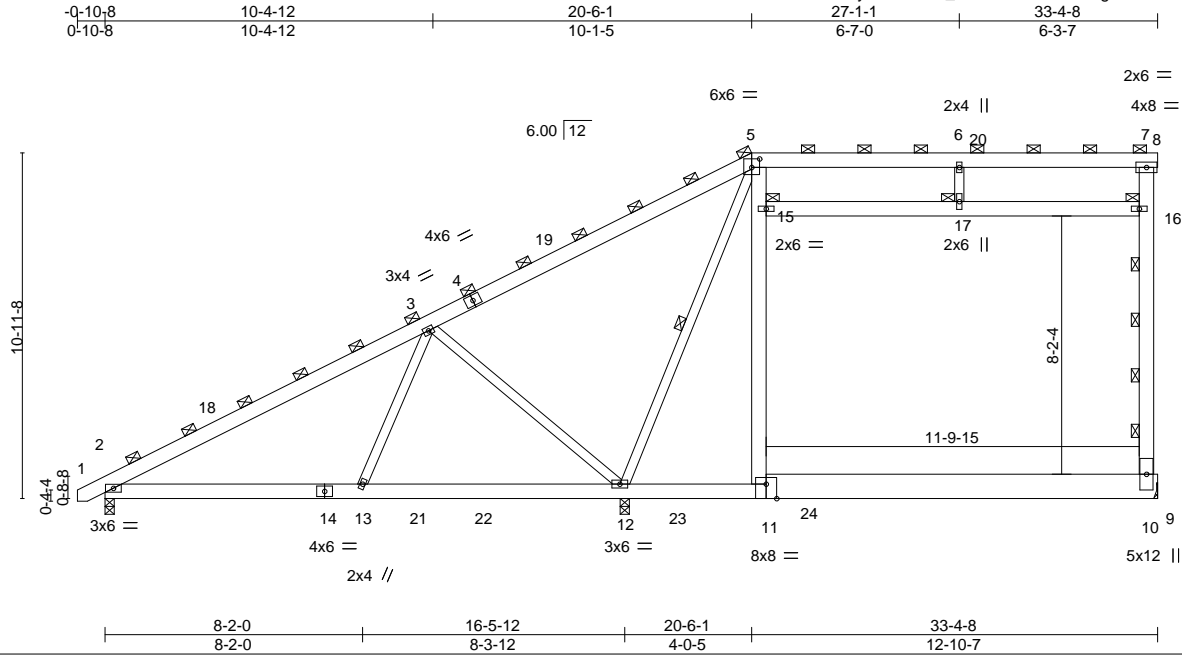
818 Soundside Road  
 Edenton, NC 27932

Job	Truss	Truss Type	Qty	Ply	Weaver/Lot 2 Atkins Farm Estates/JoCo	E15647888
J0421-2506	A6	ROOF TRUSS	2	2	Job Reference (optional)	

Comtech, Inc. Fayetteville, NC - 28314,

8.330 s Oct 7 2020 MiTek Industries, Inc. Thu Apr 22 10:29:30 2021 Page 1

ID:Sdzs0uuhUIT3B?9OD0R?ZKyk2HC-m5e\_U1v62bcd223B4U1g3elSsW8tleUP1GLaRazOBgZ



Scale = 1:73.1

Plate Offsets (X,Y)-- [5:0-3-0,0-3-4], [11:0-4-0,Edge]

LOADING (psf)	SPACING-	CSI.	DEFL.	in (loc)	l/defl	L/d	PLATES	GRIP
TCLL 20.0	Plate Grip DOL 1.15	TC 0.51	Vert(LL) -0.17	10-11	>999	360	MT20	244/190
TCDL 10.0	Lumber DOL 1.15	BC 0.76	Vert(CT) -0.26	10-11	>759	240		
BCLL 0.0 *	Rep Stress Incr NO	WB 0.75	Horz(CT) -0.00	10	n/a	n/a		
BCDL 10.0	Code IRC2015/TPI2014	Matrix-S	Wind(LL) 0.02	2-13	>999	240		
							Weight: 590 lb	FT = 20%

**LUMBER-**

TOP CHORD 2x6 SP No.1  
 BOT CHORD 2x6 SP No.1 \*Except\*  
 9-11: 2x10 SP No.1  
 WEBS 2x4 SP No.2 \*Except\*  
 7-10,5-11,15-16: 2x6 SP No.1

**BRACING-**

TOP CHORD 2-0-0 oc purlins (6-0-0 max.), except end verticals  
 (Switched from sheeted: Spacing > 2-8-0).  
 Rigid ceiling directly applied or 6-0-0 oc bracing.  
 BOT CHORD  
 WEBS 1 Row at midpt 5-12  
 JOINTS 1 Brace at Jt(s): 5, 7, 15, 16, 17

**REACTIONS.**

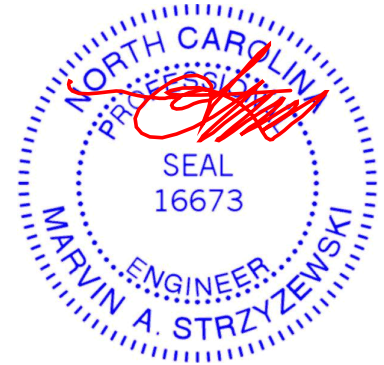
(size) 10=Mechanical, 2=0-3-8, 12=0-3-8  
 Max Horz 2=605(LC 12)  
 Max Uplift 2=-59(LC 12)  
 Max Grav 10=1876(LC 2), 2=803(LC 1), 12=4284(LC 2)

**FORCES.** (lb) - Max. Comp./Max. Ten. - All forces 250 (lb) or less except when shown.

TOP CHORD 2-3=-656/519, 3-5=-656/1534, 5-6=-456/7, 6-7=-455/7, 10-16=-939/191, 7-16=-686/181  
 BOT CHORD 2-13=-640/485, 12-13=-701/341, 11-12=-322/319, 10-11=-268/290  
 WEBS 11-15=0/1830, 5-15=0/2028, 15-17=-229/418, 16-17=-229/418, 6-17=-73/268,  
 5-12=-3524/258, 3-12=-1429/624, 3-13=0/702

**NOTES-**

- 2-ply truss to be connected together with 10d (0.131"x3") nails as follows:  
 Top chords connected as follows: 2x6 - 2 rows staggered at 0-9-0 oc.  
 Bottom chords connected as follows: 2x6 - 2 rows staggered at 0-9-0 oc, 2x10 - 2 rows staggered at 0-9-0 oc.  
 Webs connected as follows: 2x6 - 2 rows staggered at 0-9-0 oc, 2x4 - 1 row at 0-9-0 oc.
- All loads are considered equally applied to all plies, except if noted as front (F) or back (B) face in the LOAD CASE(S) section. Ply to ply connections have been provided to distribute only loads noted as (F) or (B), unless otherwise indicated.
- Wind: ASCE 7-10; Vult=130mph (3-second gust) Vasd=103mph; TCDL=6.0psf; BCDL=6.0psf; h=15ft; Cat. II; Exp C; Enclosed; MWFRS (envelope) and C-C Exterior(2) 0-8-10 to 3-8-3, Interior(1) 3-8-3 to 20-6-1, Exterior(2) 20-6-1 to 26-8-11, Interior(1) 26-8-11 to 33-4-8 zone; C-C for members and forces & MWFRS for reactions shown; Lumber DOL=1.60 plate grip DOL=1.60
- Provide adequate drainage to prevent water ponding.
- This truss has been designed for a 10.0 psf bottom chord live load nonconcurrent with any other live loads.
- \* This truss has been designed for a live load of 20.0psf on the bottom chord in all areas where a rectangle 3-6-0 tall by 2-0-0 wide will fit between the bottom chord and any other members, with BCDL = 10.0psf.
- Ceiling dead load (10.0 psf) on member(s). 15-17, 16-17; Wall dead load (5.0psf) on member(s). 11-15
- Bottom chord live load (40.0 psf) and additional bottom chord dead load (10.0 psf) applied only to room. 10-11
- Refer to girder(s) for truss to truss connections.
- Provide mechanical connection (by others) of truss to bearing plate capable of withstanding 100 lb uplift at joint(s) 2.
- See Standard Industry Piggyback Truss Connection Detail for Connection to base truss as applicable, or consult qualified building designer.
- Graphical purlin representation does not depict the size or the orientation of the purlin along the top and/or bottom chord.
- Attic room checked for L/360 deflection.



April 22, 2021

**WARNING - Verify design parameters and READ NOTES ON THIS AND INCLUDED MITEK REFERENCE PAGE MII-7473 rev. 5/19/2020 BEFORE USE.**

Design valid for use only with MiTek® connectors. This design is based only upon parameters shown, and is for an individual building component, not a truss system. Before use, the building designer must verify the applicability of design parameters and properly incorporate this design into the overall building design. Bracing indicated is to prevent buckling of individual truss web and/or chord members only. Additional temporary and permanent bracing is always required for stability and to prevent collapse with possible personal injury and property damage. For general guidance regarding the fabrication, storage, delivery, erection and bracing of trusses and truss systems, see

**ANSI/TPI1 Quality Criteria, DSB-89 and BCSI Building Component**

**Safety Information** available from Truss Plate Institute, 2670 Crain Highway, Suite 203 Waldorf, MD 20601

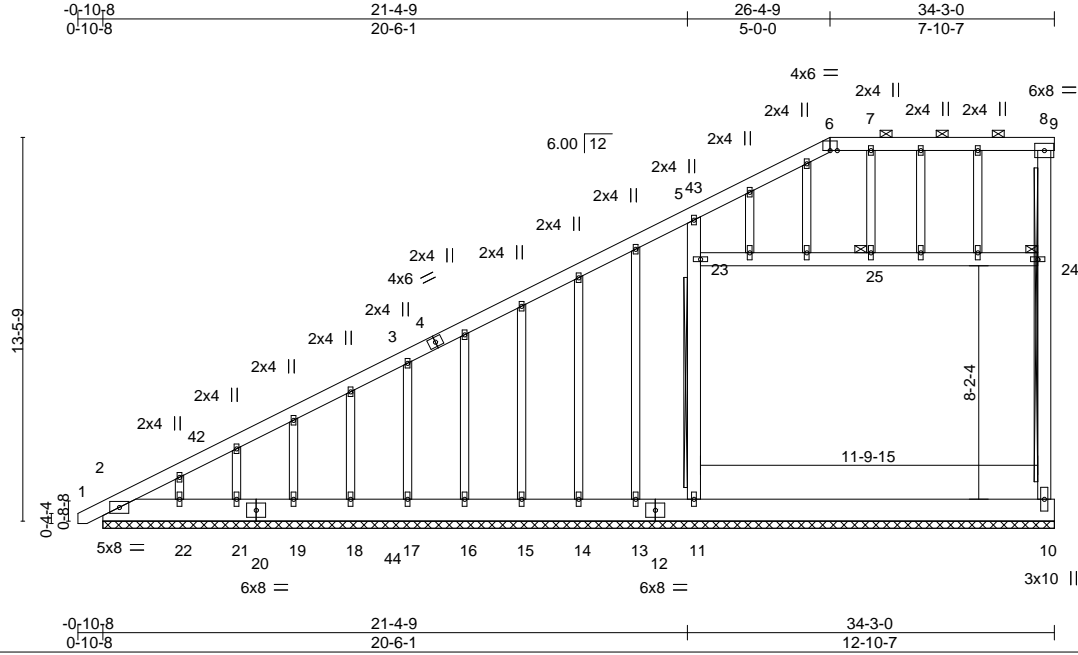


818 Soundside Road  
 Edenton, NC 27932

Job	Truss	Truss Type	Qty	Ply	Weaver/Lot 2 Atkins Farm Estates/JoCo	E15647889
J0421-2506	A7GE	GABLE	1	1	Job Reference (optional)	

Comtech, Inc., Fayetteville, NC - 28314,

8.330 s Oct 7 2020 MiTek Industries, Inc. Thu Apr 22 10:29:32 2021 Page 1  
 ID:Sdzs0uuhUIT3B?9OD0R?ZKyk2HC-iTmkvjwNZCsLHLDaBv4883roHKxoDdZiVaqhW2zOBgX



Scale = 1:80.8

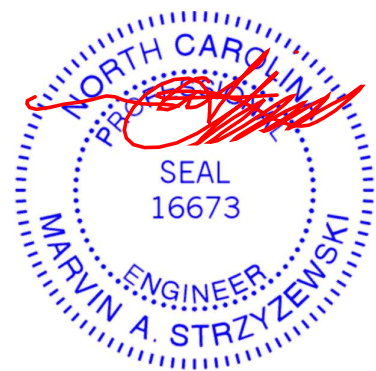
<b>LOADING</b> (psf)	<b>SPACING-</b>	<b>CSI.</b>	<b>DEFL.</b>	<b>PLATES</b>	<b>GRIP</b>
TCLL 20.0	2-0-0	TC 0.45	in (loc) l/defl L/d	MT20	244/190
TCDL 10.0	Plate Grip DOL 1.15	BC 0.29	Vert(LL) 0.00 1 n/r 120		
BCLL 0.0 *	Lumber DOL 1.15	WB 0.39	Vert(CT) 0.00 1 n/r 120		
BCDL 10.0	Rep Stress Incr YES	Matrix-S	Horz(CT) 0.14 9 n/a n/a		
	Code IRC2015/TPI2014			Weight: 387 lb	FT = 20%

<b>LUMBER-</b>	<b>BRACING-</b>
TOP CHORD 2x6 SP No.1	TOP CHORD Structural wood sheathing directly applied or 6-0-0 oc purlins, except end verticals, and 2-0-0 oc purlins (6-0-0 max.): 6-9.
BOT CHORD 2x10 SP No.1	BOT CHORD Rigid ceiling directly applied or 10-0-0 oc bracing, Except: 6-0-0 oc bracing: 10-11.
WEBS 2x6 SP No.1 *Except*	WEBS T-Brace: 2x4 SPF No.2 - 10-24, 11-23
OTHERS 2x4 SP No.2	Fasten (2X) T and I braces to narrow edge of web with 10d (0.131"x3") nails, 6in o.c., with 3in minimum end distance. Brace must cover 90% of web length.
	JOINTS 1 Brace at Jt(s): 24, 25

**REACTIONS.** All bearings 33-4-8.  
 (lb) - Max Horz 2=613(LC 12)  
 Max Uplift All uplift 100 lb or less at joint(s) 11, 19, 21 except 9=452(LC 1), 10=-214(LC 9), 17=-427(LC 12), 22=-244(LC 12), 13=-621(LC 18)  
 Max Grav All reactions 250 lb or less at joint(s) 9, 2, 15, 16, 18, 19, 21 except 10=1060(LC 2), 17=700(LC 1), 11=1702(LC 2), 14=323(LC 18), 22=428(LC 1)

**FORCES.** (lb) - Max. Comp./Max. Ten. - All forces 250 (lb) or less except when shown.  
 TOP CHORD 2-3=-943/459, 3-5=-642/358, 5-6=-309/33, 10-24=-935/545, 8-24=-820/535  
 WEBS 3-17=-658/517, 11-23=-908/749, 5-23=-714/740, 23-25=-271/274, 24-25=-271/274

- NOTES-**
- Unbalanced roof live loads have been considered for this design.
  - Wind: ASCE 7-10; Vult=130mph (3-second gust) Vasd=103mph; TCDL=6.0psf; BCDL=6.0psf; h=15ft; Cat. II; Exp C; Enclosed; MWFRS (envelope) gable end zone and C-C Corner(3) 0-8-10 to 3-8-3, Exterior(2) 3-8-3 to 25-6-1, Corner(3) 25-6-1 to 29-10-14, Exterior(2) 29-10-14 to 33-4-8 zone; C-C for members and forces & MWFRS for reactions shown; Lumber DOL=1.60 plate grip DOL=1.60
  - Truss designed for wind loads in the plane of the truss only. For studs exposed to wind (normal to the face), see Standard Industry Gable End Details as applicable, or consult qualified building designer as per ANSI/TPI 1.
  - Provide adequate drainage to prevent water ponding.
  - All plates are 2x6 MT20 unless otherwise indicated.
  - Gable requires continuous bottom chord bearing.
  - Gable studs spaced at 2-0-0 oc.
  - This truss has been designed for a 10.0 psf bottom chord live load nonconcurrent with any other live loads.
  - \* This truss has been designed for a live load of 20.0psf on the bottom chord in all areas where a rectangle 3-6-0 tall by 2-0-0 wide will fit between the bottom chord and any other members, with BCDL = 10.0psf.
  - Ceiling dead load (10.0 psf) on member(s). 23-25, 24-25; Wall dead load (5.0psf) on member(s).3-17, 11-23
  - Provide mechanical connection (by others) of truss to bearing plate capable of withstanding 100 lb uplift at joint(s) 11, 19, 21 except (jt=lb) 9=452, 10=214, 17=427, 22=244, 13=621.
  - See Standard Industry Piggyback Truss Connection Detail for Connection to base truss as applicable, or consult qualified building designer.
  - Graphical purlin representation does not depict the size or the orientation of the purlin along the top and/or bottom chord.



Continuing Education: Additional permanent and stability bracing for truss system (not part of this component design) is always required.

**WARNING - Verify design parameters and READ NOTES ON THIS AND INCLUDED MITEK REFERENCE PAGE MII-7473 rev. 5/19/2020 BEFORE USE.**  
 Design valid for use only with MiTek® connectors. This design is based only upon parameters shown, and is for an individual building component, not a truss system. Before use, the building designer must verify the applicability of design parameters and properly incorporate this design into the overall building design. Bracing indicated is to prevent buckling of individual truss web and/or chord members only. Additional temporary and permanent bracing is always required for stability and to prevent collapse with possible personal injury and property damage. For general guidance regarding the fabrication, storage, delivery, erection and bracing of trusses and truss systems, see **ANSI/TPI1 Quality Criteria, DSB-89 and BCSI Building Component Safety Information** available from Truss Plate Institute, 2670 Crain Highway, Suite 203 Waldorf, MD 20601

**ENGINEERING BY**  
**TRENCO**  
 A MiTek Affiliate  
 818 Soundside Road  
 Edenton, NC 27932



Job	Truss	Truss Type	Qty	Ply	Weaver/Lot 2 Atkins Farm Estates/JoCo	E15647889
J0421-2506	A7GE	GABLE	1	1	Job Reference (optional)	

Comtech, Inc, Fayetteville, NC - 28314,

8.330 s Oct 7 2020 MiTek Industries, Inc. Thu Apr 22 10:29:33 2021 Page 2  
 ID:Sdzs0uuhUIT3B?9OD0R?ZKyk2HC-AgJ663x?KW\_CvVomlcbNhhNz1kH1y4prjEaE2VzOBgW

**NOTES-**

15) Attic room checked for L/360 deflection.

**WARNING - Verify design parameters and READ NOTES ON THIS AND INCLUDED MITEK REFERENCE PAGE MII-7473 rev. 5/19/2020 BEFORE USE.**

Design valid for use only with MiTek® connectors. This design is based only upon parameters shown, and is for an individual building component, not a truss system. Before use, the building designer must verify the applicability of design parameters and properly incorporate this design into the overall building design. Bracing indicated is to prevent buckling of individual truss web and/or chord members only. Additional temporary and permanent bracing is always required for stability and to prevent collapse with possible personal injury and property damage. For general guidance regarding the fabrication, storage, delivery, erection and bracing of trusses and truss systems, see **ANSI/TPI1 Quality Criteria, DSB-89 and BCSI Building Component Safety Information** available from Truss Plate Institute, 2670 Crain Highway, Suite 203 Waldorf, MD 20601



818 Soundside Road  
 Edenton, NC 27932



Job	Truss	Truss Type	Qty	Ply	Weaver/Lot 2 Atkins Farm Estates/JoCo	E15647890
J0421-2506	B1	PIGGYBACK ATTIC	1	1	Job Reference (optional)	

Comtech, Inc. Fayetteville, NC - 28314,

8.330 s Oct 7 2020 MiTek Industries, Inc. Thu Apr 22 10:29:34 2021 Page 1

ID:Sdzs0uuhUIT3B?9OD0R?ZKyk2HC-estUKPyd5q63XfMyJJ6cDUw8X8XKhXy?yuJnaxzOBgV

0-11-0 5-0-12 17-6-4 22-7-0 23-6-0  
 0-11-0 5-0-12 12-5-8 5-0-12 0-11-0

6x8 =

Scale = 1:82.1

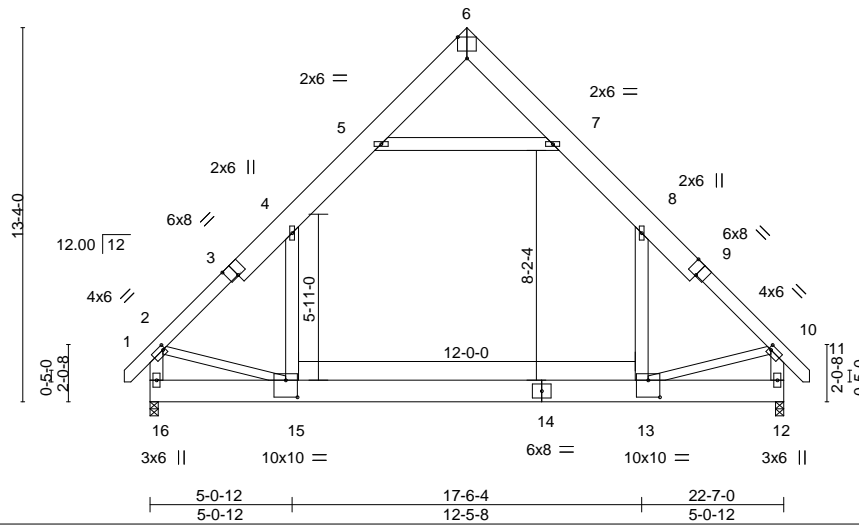


Plate Offsets (X,Y)-- [2:0-1-0,0-2-0], [3:0-4-0,Edge], [6:0-4-0,Edge], [9:0-4-0,Edge], [10:0-1-0,0-2-0], [13:0-5-0,0-7-4], [15:0-5-0,0-7-4]

LOADING (psf)	SPACING-	CSI.	DEFL.	in (loc)	l/defl	L/d	PLATES	GRIP
TCLL 20.0	Plate Grip DOL 1.15	TC 0.40	Vert(LL) -0.16	13-15	>999	360	MT20	244/190
TCDL 10.0	Lumber DOL 1.15	BC 0.67	Vert(CT) -0.26	13-15	>999	240		
BCLL 0.0 *	Rep Stress Incr YES	WB 0.40	Horz(CT) 0.01	12	n/a	n/a		
BCDL 10.0	Code IRC2015/TPI2014	Matrix-S	Wind(LL) 0.05	13-15	>999	240		
							Weight: 268 lb	FT = 20%

**LUMBER-**

TOP CHORD 2x10 SP No.1 \*Except\*  
 1-3,9-11: 2x6 SP No.1  
 BOT CHORD 2x10 SP No.1  
 WEBS 2x6 SP No.1 \*Except\*  
 2-15,10-13: 2x4 SP No.2

**BRACING-**

TOP CHORD Structural wood sheathing directly applied or 5-5-3 oc purlins, except end verticals.  
 BOT CHORD Rigid ceiling directly applied or 10-0-0 oc bracing.

**REACTIONS.**

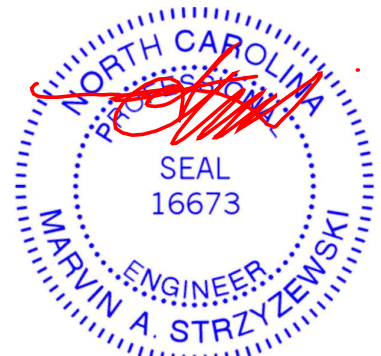
(size) 16=0-3-8, 12=0-3-8  
 Max Horz 16=339(LC 11)  
 Max Grav 16=1534(LC 21), 12=1534(LC 20)

**FORCES.** (lb) - Max. Comp./Max. Ten. - All forces 250 (lb) or less except when shown.

TOP CHORD 2-4=-1750/0, 4-5=-1096/188, 7-8=-1096/188, 8-10=-1749/0, 2-16=-1719/46,  
 10-12=-1720/46  
 BOT CHORD 15-16=-328/473, 13-15=0/1137  
 WEBS 4-15=0/828, 8-13=0/828, 5-7=-1268/253, 2-15=0/1031, 10-13=0/1036

**NOTES-**

- Unbalanced roof live loads have been considered for this design.
- Wind: ASCE 7-10; Vult=130mph (3-second gust) Vasd=103mph; TCDL=6.0psf; BCDL=6.0psf; h=15ft; Cat. II; Exp C; Enclosed; MWFRS (envelope) and C-C Corner(3) -0-9-2 to 3-7-11, Exterior(2) 3-7-11 to 11-4-0, Corner(3) 11-4-0 to 15-8-13, Exterior(2) 15-8-13 to 23-5-2 zone; end vertical left and right exposed;C-C for members and forces & MWFRS for reactions shown; Lumber DOL=1.60 plate grip DOL=1.60
- This truss has been designed for a 10.0 psf bottom chord live load nonconcurrent with any other live loads.
- \* This truss has been designed for a live load of 20.0psf on the bottom chord in all areas where a rectangle 3-6-0 tall by 2-0-0 wide will fit between the bottom chord and any other members.
- Ceiling dead load (10.0 psf) on member(s). 4-5, 7-8, 5-7; Wall dead load (5.0psf) on member(s).4-15, 8-13
- Bottom chord live load (40.0 psf) and additional bottom chord dead load (10.0 psf) applied only to room. 13-15
- Attic room checked for L/360 deflection.



April 22, 2021

**WARNING - Verify design parameters and READ NOTES ON THIS AND INCLUDED MITEK REFERENCE PAGE MII-7473 rev. 5/19/2020 BEFORE USE.**

Design valid for use only with MiTek® connectors. This design is based only upon parameters shown, and is for an individual building component, not a truss system. Before use, the building designer must verify the applicability of design parameters and properly incorporate this design into the overall building design. Bracing indicated is to prevent buckling of individual truss web and/or chord members only. Additional temporary and permanent bracing is always required for stability and to prevent collapse with possible personal injury and property damage. For general guidance regarding the fabrication, storage, delivery, erection and bracing of trusses and truss systems, see

**ANSI/TPI1 Quality Criteria, DSB-89 and BCSI Building Component**

**Safety Information** available from Truss Plate Institute, 2670 Crain Highway, Suite 203 Waldorf, MD 20601



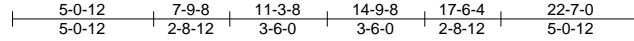
818 Soundside Road  
 Edenton, NC 27932

Job	Truss	Truss Type	Qty	Ply	Weaver/Lot 2 Atkins Farm Estates/JoCo	E15647891
J0421-2506	B2	ATTIC	2	1	Job Reference (optional)	

Comtech, Inc., Fayetteville, NC - 28314,

8.330 s Oct 7 2020 MiTek Industries, Inc. Thu Apr 22 10:29:37 2021 Page 1

ID:Sdzs0uuhUIT3B?9OD0R?ZKyk2HC-3RZdyR\_VOIUeO65X\_SfJr7YfaLY5uuoResYSBGzOBgS



6x8 =

Scale = 1:82.7

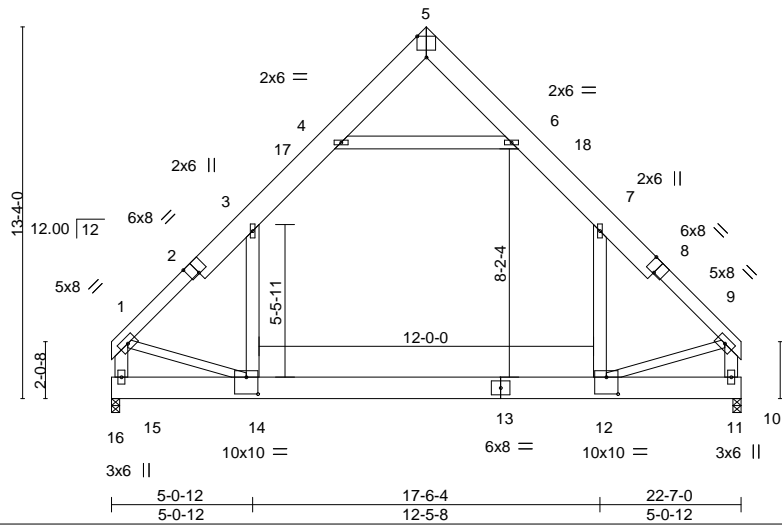


Plate Offsets (X,Y)-- [2:0-4-0,Edge], [5:0-4-0,Edge], [8:0-4-0,Edge], [12:0-5-0,0-7-4], [14:0-5-0,0-7-4]

LOADING (psf)	SPACING-	CSI.	DEFL.	PLATES	GRIP
TCLL 20.0	2-0-0	TC 0.41	in (loc) l/defl L/d	MT20	244/190
TCDL 10.0	Plate Grip DOL 1.15	BC 0.66	Vert(LL) -0.16 12-14 >999 360		
BCLL 0.0 *	Lumber DOL 1.15	WB 0.39	Vert(CT) -0.25 12-14 >999 240		
BCDL 10.0	Rep Stress Incr YES	Matrix-S	Horz(CT) 0.01 11 n/a n/a		
	Code IRC2015/TPI2014		Wind(LL) 0.04 12-14 >999 240	Weight: 263 lb	FT = 20%

**LUMBER-**

TOP CHORD 2x10 SP No.1 \*Except\*  
1-2,8-9: 2x6 SP No.1  
BOT CHORD 2x10 SP No.1  
WEBS 2x6 SP No.1 \*Except\*  
1-14,9-12: 2x4 SP No.2

**BRACING-**

TOP CHORD Structural wood sheathing directly applied or 5-5-11 oc purlins, except end verticals.  
BOT CHORD Rigid ceiling directly applied or 10-0-0 oc bracing.

**REACTIONS.**

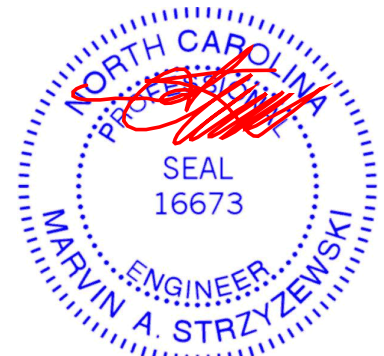
(size) 15=0-3-8, 11=0-3-8  
Max Horz 15=257(LC 9)  
Max Grav 15=1492(LC 21), 11=1492(LC 20)

**FORCES.** (lb) - Max. Comp./Max. Ten. - All forces 250 (lb) or less except when shown.

TOP CHORD 1-3=-1704/0, 3-4=-1082/150, 6-7=-1082/150, 7-9=-1703/0, 1-15=-1681/0, 9-11=-1681/0  
BOT CHORD 14-15=-285/363, 12-14=0/1097  
WEBS 4-6=-1249/179, 3-14=0/788, 7-12=0/788, 1-14=0/1079, 9-12=0/1082

**NOTES-**

- Unbalanced roof live loads have been considered for this design.
- Wind: ASCE 7-10; Vult=130mph (3-second gust) Vasd=103mph; TCCL=6.0psf; BCDL=6.0psf; h=15ft; Cat. II; Exp C; Enclosed; MWFRS (envelope) and C-C Exterior(2) 0-4-12 to 5-0-12, Interior(1) 5-0-12 to 11-4-0, Exterior(2) 11-4-0 to 15-8-13, Interior(1) 15-8-13 to 22-3-4 zone; C-C for members and forces & MWFRS for reactions shown; Lumber DOL=1.60 plate grip DOL=1.60
- This truss has been designed for a 10.0 psf bottom chord live load nonconcurrent with any other live loads.
- \* This truss has been designed for a live load of 20.0psf on the bottom chord in all areas where a rectangle 3-6-0 tall by 2-0-0 wide will fit between the bottom chord and any other members.
- Ceiling dead load (10.0 psf) on member(s). 3-4, 6-7, 4-6; Wall dead load (5.0psf) on member(s). 3-14, 7-12
- Bottom chord live load (40.0 psf) and additional bottom chord dead load (10.0 psf) applied only to room. 12-14
- Attic room checked for L/360 deflection.



April 22, 2021

**WARNING - Verify design parameters and READ NOTES ON THIS AND INCLUDED MITEK REFERENCE PAGE MII-7473 rev. 5/19/2020 BEFORE USE.**

Design valid for use only with MiTek® connectors. This design is based only upon parameters shown, and is for an individual building component, not a truss system. Before use, the building designer must verify the applicability of design parameters and properly incorporate this design into the overall building design. Bracing indicated is to prevent buckling of individual truss web and/or chord members only. Additional temporary and permanent bracing is always required for stability and to prevent collapse with possible personal injury and property damage. For general guidance regarding the fabrication, storage, delivery, erection and bracing of trusses and truss systems, see

**ANSI/TPI1 Quality Criteria, DSB-89 and BCSI Building Component**

**Safety Information** available from Truss Plate Institute, 2670 Crain Highway, Suite 203 Waldorf, MD 20601



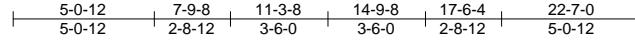
818 Soundside Road  
Edenton, NC 27932

Job	Truss	Truss Type	Qty	Ply	Weaver/Lot 2 Atkins Farm Estates/JoCo	E15647892
J0421-2506	B3	ATTIC	6	1	Job Reference (optional)	

Comtech, Inc, Fayetteville, NC - 28314,

8.330 s Oct 7 2020 MiTek Industries, Inc. Thu Apr 22 10:29:38 2021 Page 1

ID:Sdzs0uuhUIT3B?9OD0R?ZKyk2HC-Xd7?9n?892cV0GgjY9BYOK5qDluHdKzatWH?jizOBgR



6x8 =

Scale = 1:82.7

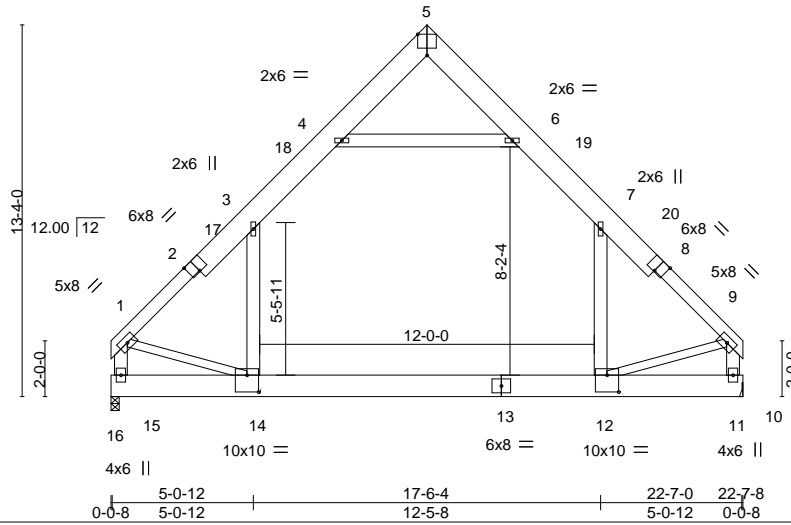


Plate Offsets (X,Y)-- [2:0-4-0,Edge], [5:0-4-0,Edge], [8:0-4-0,Edge], [12:0-5-0,0-7-4], [14:0-5-0,0-7-4]

LOADING (psf)	SPACING-	CSI.	DEFL.	PLATES	GRIP
TCLL 20.0	2-0-0	TC 0.42	in (loc) l/defl L/d	MT20	244/190
TCDL 10.0	Plate Grip DOL 1.15	BC 0.67	Vert(LL) -0.16 12-14 >999 360		
BCLL 0.0 *	Lumber DOL 1.15	WB 0.40	Vert(CT) -0.25 12-14 >999 240		
BCDL 10.0	Rep Stress Incr YES	Matrix-S	Horz(CT) 0.01 11 n/a n/a		
	Code IRC2015/TPI2014		Wind(LL) 0.05 12-14 >999 240	Weight: 264 lb	FT = 20%

**LUMBER-**

TOP CHORD 2x10 SP No.1 \*Except\*  
1-2,8-9: 2x6 SP No.1  
BOT CHORD 2x10 SP No.1  
WEBS 2x6 SP No.1 \*Except\*  
1-14,9-12: 2x4 SP No.2

**BRACING-**

TOP CHORD Structural wood sheathing directly applied or 5-5-3 oc purlins, except end verticals.  
BOT CHORD Rigid ceiling directly applied or 10-0-0 oc bracing.

**REACTIONS.**

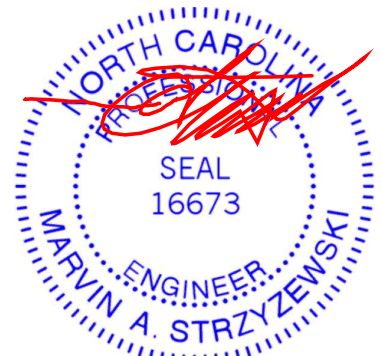
(size) 15=0-3-8, 11=Mechanical  
Max Horz 15=-258(LC 8)  
Max Grav 15=1495(LC 21), 11=1495(LC 20)

**FORCES.** (lb) - Max. Comp./Max. Ten. - All forces 250 (lb) or less except when shown.

TOP CHORD 1-3=-1717/0, 3-4=-1088/150, 6-7=-1087/150, 7-9=-1717/0, 1-15=-1680/0, 9-11=-1681/0  
BOT CHORD 14-15=-286/369, 12-14=0/1106  
WEBS 4-6=-1263/178, 3-14=0/794, 7-12=0/794, 1-14=0/1079, 9-12=0/1082

**NOTES-**

- Unbalanced roof live loads have been considered for this design.
- Wind: ASCE 7-10; Vult=130mph (3-second gust) Vasd=103mph; TCCL=6.0psf; BCDL=6.0psf; h=15ft; Cat. II; Exp C; Enclosed; MWFRS (envelope) and C-C Exterior(2) 0-4-4 to 4-9-1, Interior(1) 4-9-1 to 11-4-0, Exterior(2) 11-4-0 to 15-8-13, Interior(1) 15-8-13 to 22-3-12 zone; C-C for members and forces & MWFRS for reactions shown; Lumber DOL=1.60 plate grip DOL=1.60
- This truss has been designed for a 10.0 psf bottom chord live load nonconcurrent with any other live loads.
- \* This truss has been designed for a live load of 20.0psf on the bottom chord in all areas where a rectangle 3-6-0 tall by 2-0-0 wide will fit between the bottom chord and any other members.
- Ceiling dead load (10.0 psf) on member(s). 3-4, 6-7, 4-6; Wall dead load (5.0psf) on member(s).3-14, 7-12
- Bottom chord live load (40.0 psf) and additional bottom chord dead load (10.0 psf) applied only to room. 12-14
- Refer to girder(s) for truss to truss connections.
- Attic room checked for L/360 deflection.



April 22, 2021

**WARNING - Verify design parameters and READ NOTES ON THIS AND INCLUDED MITEK REFERENCE PAGE MII-7473 rev. 5/19/2020 BEFORE USE.**

Design valid for use only with MiTek® connectors. This design is based only upon parameters shown, and is for an individual building component, not a truss system. Before use, the building designer must verify the applicability of design parameters and properly incorporate this design into the overall building design. Bracing indicated is to prevent buckling of individual truss web and/or chord members only. Additional temporary and permanent bracing is always required for stability and to prevent collapse with possible personal injury and property damage. For general guidance regarding the fabrication, storage, delivery, erection and bracing of trusses and truss systems, see **ANSI/TPI1 Quality Criteria, DSB-89 and BCSI Building Component Safety Information** available from Truss Plate Institute, 2670 Crain Highway, Suite 203 Waldorf, MD 20601



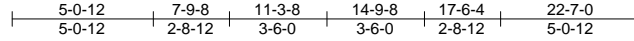
818 Soundside Road  
Edenton, NC 27932

Job	Truss	Truss Type	Qty	Ply	Weaver/Lot 2 Atkins Farm Estates/JoCo	E15647893
J0421-2506	B4	ATTIC	1	2	Job Reference (optional)	

Comtech, Inc. Fayetteville, NC - 28314,

8.330 s Oct 7 2020 MiTek Industries, Inc. Thu Apr 22 10:29:40 2021 Page 1

ID:Sdzs0uuhUIT3B?9OD0R?ZKyk2HC-T0FmaS1OhgtCFaq6faD0TIA9gYzj5HqtKqm6obzOBgP



6x8 =

Scale = 1:82.7

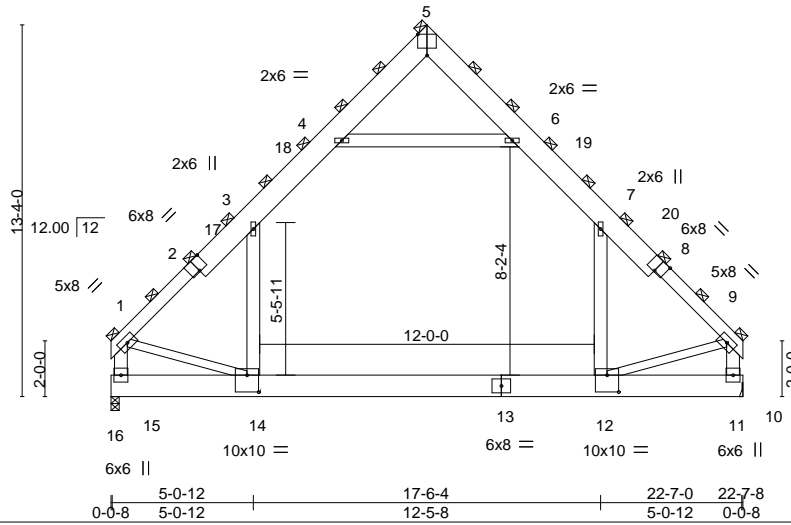


Plate Offsets (X,Y)-- [2:0-4-0,Edge], [5:0-4-0,Edge], [8:0-4-0,Edge], [12:0-5-0,0-7-4], [14:0-5-0,0-7-4]

<b>LOADING</b> (psf)	<b>SPACING-</b>	4-0-0	<b>CSI.</b>	<b>DEFL.</b>	in (loc)	l/defl	L/d	<b>PLATES</b>	<b>GRIP</b>
TCLL 20.0	Plate Grip DOL	1.15	TC 0.49	Vert(LL)	-0.16 12-14	>999	360	MT20	244/190
TCDL 10.0	Lumber DOL	1.15	BC 0.73	Vert(CT)	-0.25 12-14	>999	240		
BCLL 0.0 *	Rep Stress Incr	NO	WB 0.25	Horz(CT)	0.01 11	n/a	n/a		
BCDL 10.0	Code	IRC2015/TPI2014	Matrix-S	Wind(LL)	0.05 12-14	>999	240	Weight: 528 lb	FT = 20%

**LUMBER-**

TOP CHORD 2x10 SP No.1 \*Except\*  
1-2,8-9: 2x6 SP No.1  
BOT CHORD 2x10 SP No.1  
WEBS 2x6 SP No.1 \*Except\*  
1-14,9-12: 2x4 SP No.2

**BRACING-**

TOP CHORD 2-0-0 oc purlins (6-0-0 max.), except end verticals  
(Switched from sheeted: Spacing > 2-8-0).  
BOT CHORD Rigid ceiling directly applied or 10-0-0 oc bracing.

**REACTIONS.**

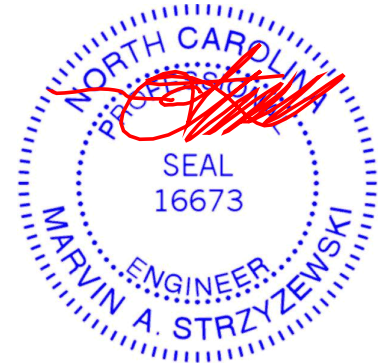
(size) 15=0-3-8, 11=Mechanical  
Max Horz 15=-516(LC 8)  
Max Grav 15=2990(LC 21), 11=2990(LC 20)

**FORCES.** (lb) - Max. Comp./Max. Ten. - All forces 250 (lb) or less except when shown.

TOP CHORD 1-3=-3434/0, 3-4=-2175/300, 4-5=-193/437, 5-6=-193/437, 6-7=-2175/300, 7-9=-3433/0,  
1-15=-3360/0, 9-11=-3361/0  
BOT CHORD 14-15=-572/738, 12-14=0/2212, 11-12=-99/306  
WEBS 4-6=-2527/356, 3-14=0/1589, 7-12=0/1589, 1-14=0/2158, 9-12=0/2165

**NOTES-**

- 2-ply truss to be connected together with 10d (0.131"x3") nails as follows:  
Top chords connected as follows: 2x6 - 2 rows staggered at 0-9-0 oc, 2x10 - 2 rows staggered at 0-9-0 oc.  
Bottom chords connected as follows: 2x10 - 2 rows staggered at 0-9-0 oc.  
Webs connected as follows: 2x6 - 2 rows staggered at 0-9-0 oc, 2x4 - 1 row at 0-9-0 oc.
- All loads are considered equally applied to all plies, except if noted as front (F) or back (B) face in the LOAD CASE(S) section. Ply to ply connections have been provided to distribute only loads noted as (F) or (B), unless otherwise indicated.
- Unbalanced roof live loads have been considered for this design.
- Wind: ASCE 7-10; Vult=130mph (3-second gust) Vasd=103mph; TCCL=6.0psf; BCDL=6.0psf; h=15ft; Cat. II; Exp C; Enclosed; MWFRS (envelope) and C-C Exterior(2) 0-4-4 to 4-9-1, Interior(1) 4-9-1 to 11-4-0, Exterior(2) 11-4-0 to 15-8-13, Interior(1) 15-8-13 to 22-3-12 zone; C-C for members and forces & MWFRS for reactions shown; Lumber DOL=1.60 plate grip DOL=1.60
- This truss has been designed for a 10.0 psf bottom chord live load nonconcurrent with any other live loads.
- \* This truss has been designed for a live load of 20.0psf on the bottom chord in all areas where a rectangle 3-6-0 tall by 2-0-0 wide will fit between the bottom chord and any other members.
- Ceiling dead load (10.0 psf) on member(s). 3-4, 6-7, 4-6; Wall dead load (5.0psf) on member(s). 3-14, 7-12
- Bottom chord live load (40.0 psf) and additional bottom chord dead load (10.0 psf) applied only to room. 12-14
- Refer to girder(s) for truss to truss connections.
- Graphical purlin representation does not depict the size or the orientation of the purlin along the top and/or bottom chord.
- Attic room checked for L/360 deflection.



April 22, 2021

**WARNING - Verify design parameters and READ NOTES ON THIS AND INCLUDED MITEK REFERENCE PAGE MII-7473 rev. 5/19/2020 BEFORE USE.**

Design valid for use only with MiTek® connectors. This design is based only upon parameters shown, and is for an individual building component, not a truss system. Before use, the building designer must verify the applicability of design parameters and properly incorporate this design into the overall building design. Bracing indicated is to prevent buckling of individual truss web and/or chord members only. Additional temporary and permanent bracing is always required for stability and to prevent collapse with possible personal injury and property damage. For general guidance regarding the fabrication, storage, delivery, erection and bracing of trusses and truss systems, see

**ANSI/TPI1 Quality Criteria, DSB-89 and BCSI Building Component**

**Safety Information** available from Truss Plate Institute, 2670 Crain Highway, Suite 203 Waldorf, MD 20601



818 Soundside Road  
Edenton, NC 27932



Job	Truss	Truss Type	Qty	Ply	Weaver/Lot 2 Atkins Farm Estates/JoCo	E15647895
J0421-2506	G1GE	HIP SUPPORTED GABLE	1	1	Job Reference (optional)	

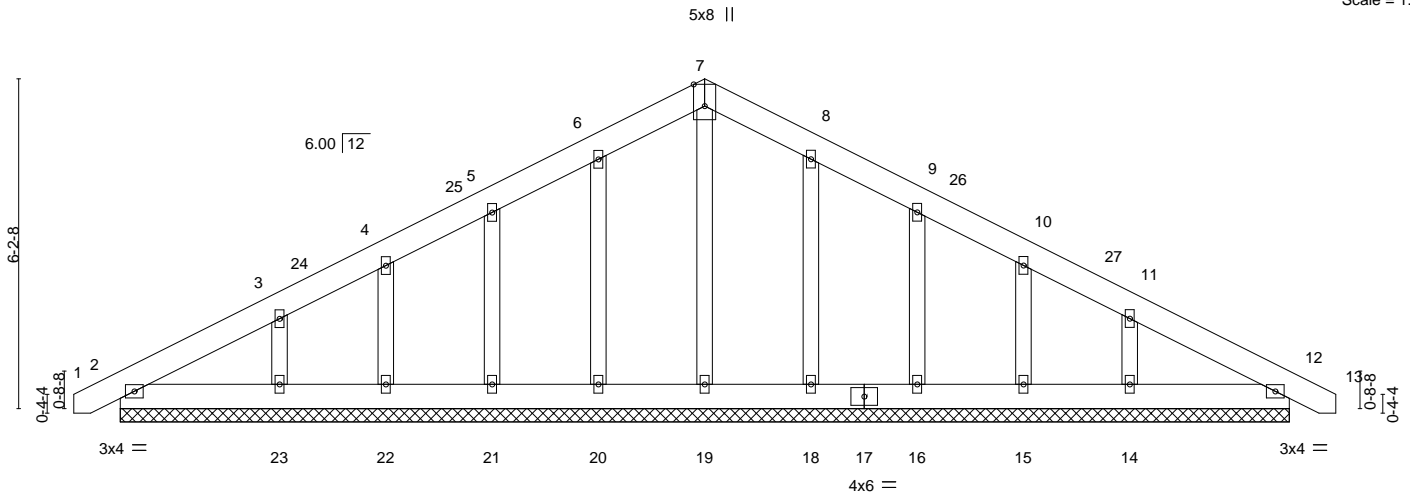
Comtech, Inc., Fayetteville, NC - 28314,

8.330 s Oct 7 2020 MiTek Industries, Inc. Thu Apr 22 10:29:42 2021 Page 1

ID:Sdzs0uuuUIT3B?9OD0R?ZKyk2HC-PPMW?82eDH7wUu\_Vn?FUyAFcDMPDZEFAo8FDsTzOBgN

0-10-8 11-10-7 22-10-8 23-9-0  
 0-10-8 10-11-15 11-0-1 0-10-8

Scale = 1:43.4



0-10-8 0-10-8	22-10-8 22-0-0	23-9-0 0-10-8
Plate Offsets (X,Y)--	[7:0-4-14,Edge]	

LOADING (psf)	SPACING-	CSL	DEFL.	in (loc)	l/defl	L/d	PLATES	GRIP
TCLL 20.0	Plate Grip DOL 1.15	TC 0.03	Vert(LL) 0.00	12	n/r	120	MT20	244/190
TCDL 10.0	Lumber DOL 1.15	BC 0.03	Vert(CT) 0.00	12	n/r	120		
BCLL 0.0 *	Rep Stress Incr YES	WB 0.06	Horz(CT) 0.00	12	n/a	n/a		
BCDL 10.0	Code IRC2015/TPI2014	Matrix-S					Weight: 155 lb	FT = 20%

LUMBER-	BRACING-
TOP CHORD 2x6 SP No.1	TOP CHORD Structural wood sheathing directly applied or 6-0-0 oc purlins.
BOT CHORD 2x6 SP No.1	BOT CHORD Rigid ceiling directly applied or 10-0-0 oc bracing.
OTHERS 2x4 SP No.2	

**REACTIONS.** All bearings 22-0-0.  
 (lb) - Max Horz 2=-119(LC 17)  
 Max Uplift All uplift 100 lb or less at joint(s) 2, 16, 18, 20, 21, 22, 15, 12 except 23=-112(LC 12), 14=-110(LC 13)  
 Max Grav All reactions 250 lb or less at joint(s) 2, 16, 18, 19, 20, 21, 22, 23, 15, 14, 12

**FORCES.** (lb) - Max. Comp./Max. Ten. - All forces 250 (lb) or less except when shown.

- NOTES-**
- Unbalanced roof live loads have been considered for this design.
  - Wind: ASCE 7-10; Vult=130mph (3-second gust) Vasd=103mph; TCCL=6.0psf; BCDL=6.0psf; h=15ft; Cat. II; Exp C; Enclosed; MWFRS (envelope) gable end zone and C-C Corner(3) 0-8-10 to 3-8-3, Exterior(2) 3-8-3 to 10-11-15, Corner(3) 10-11-15 to 15-4-12, Exterior(2) 15-4-12 to 22-8-10 zone; C-C for members and forces & MWFRS for reactions shown; Lumber DOL=1.60 plate grip DOL=1.60
  - Truss designed for wind loads in the plane of the truss only. For studs exposed to wind (normal to the face), see Standard Industry Gable End Details as applicable, or consult qualified building designer as per ANSI/TPI 1.
  - All plates are 2x4 MT20 unless otherwise indicated.
  - Gable requires continuous bottom chord bearing.
  - Gable studs spaced at 2-0-0 oc.
  - This truss has been designed for a 10.0 psf bottom chord live load nonconcurrent with any other live loads.
  - \* This truss has been designed for a live load of 20.0psf on the bottom chord in all areas where a rectangle 3-6-0 tall by 2-0-0 wide will fit between the bottom chord and any other members.
  - Provide mechanical connection (by others) of truss to bearing plate capable of withstanding 100 lb uplift at joint(s) 2, 16, 18, 20, 21, 22, 15, 12 except (jt=lb) 23=112, 14=110.
  - See Standard Industry Piggyback Truss Connection Detail for Connection to base truss as applicable, or consult qualified building designer.



April 22, 2021

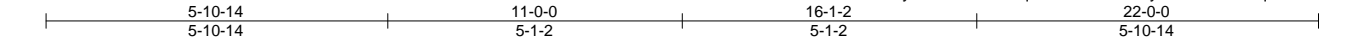


Job	Truss	Truss Type	Qty	Ply	Weaver/Lot 2 Atkins Farm Estates/JoCo	E15647896
J0421-2506	G2GDR	FINK	1	3	Job Reference (optional)	

Comtech, Inc., Fayetteville, NC - 28314,

8.330 s Oct 7 2020 MiTek Industries, Inc. Thu Apr 22 10:29:44 2021 Page 1

ID:Sdzs0uuhUIT3B?9OD0R?ZKyk2HC-MnUGQq4uluNekB7tuQHdybKsDAXA10qTFRkXmZOBgL



Scale = 1:39.8

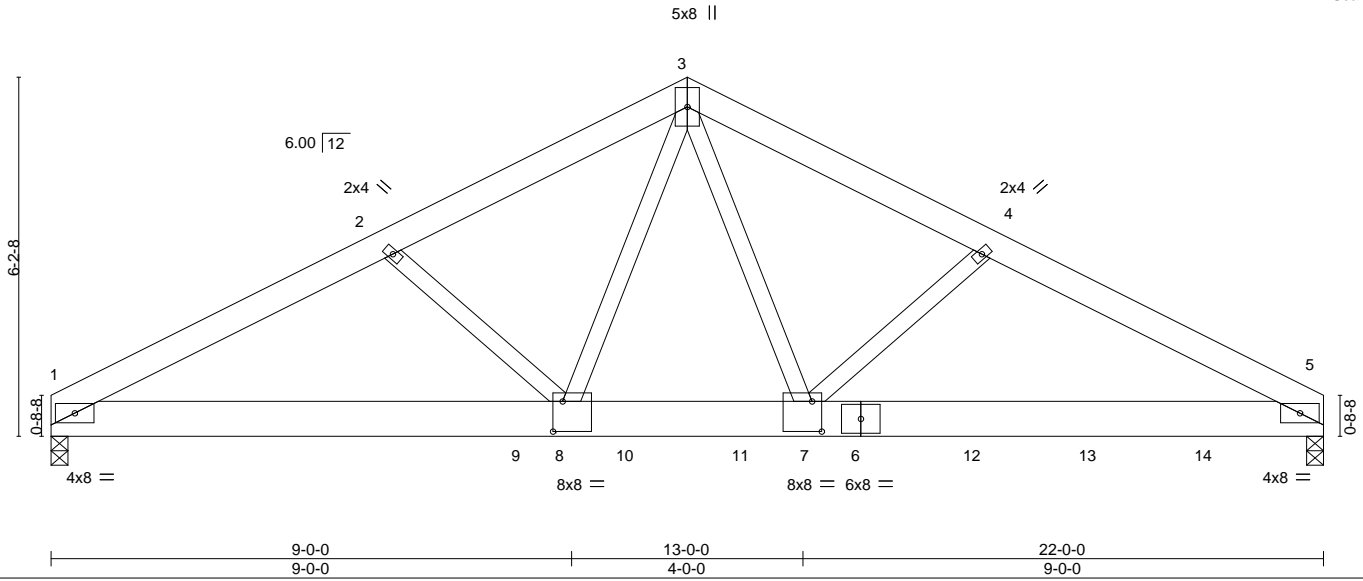


Plate Offsets (X,Y)-- [7:0-2-0,0-6-4], [8:0-2-0,0-6-4]

LOADING (psf)	SPACING-	CSI.	DEFL.	in (loc)	l/defl	L/d	PLATES	GRIP
TCLL 20.0	Plate Grip DOL 1.15	TC 0.39	Vert(LL) -0.13	5-7	>999	360	MT20	244/190
TCDL 10.0	Lumber DOL 1.15	BC 0.70	Vert(CT) -0.27	5-7	>980	240		
BCLL 0.0 *	Rep Stress Incr NO	WB 0.57	Horz(CT) 0.04	5	n/a	n/a		
BCDL 10.0	Code IRC2015/TPI2014	Matrix-S	Wind(LL) -0.01	5-7	>999	240		
							Weight: 463 lb	FT = 20%

**LUMBER-**  
 TOP CHORD 2x6 SP No.1  
 BOT CHORD 2x8 SP 2400F 2.0E  
 WEBS 2x4 SP No.2

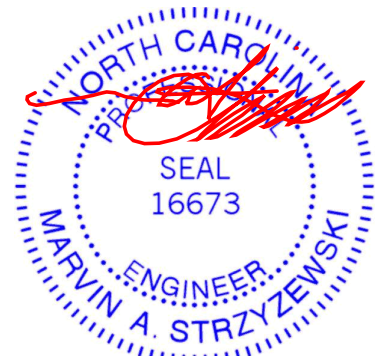
**BRACING-**  
 TOP CHORD Structural wood sheathing directly applied or 6-0-0 oc purlins.  
 BOT CHORD Rigid ceiling directly applied or 10-0-0 oc bracing.

**REACTIONS.** (size) 1=0-3-8, 5=0-3-8  
 Max Horz 1=74(LC 5)  
 Max Grav 1=5332(LC 2), 5=7713(LC 2)

**FORCES.** (lb) - Max. Comp./Max. Ten. - All forces 250 (lb) or less except when shown.  
 TOP CHORD 1-2=-10455/0, 2-3=-10366/0, 3-4=-11456/0, 4-5=-11590/0  
 BOT CHORD 1-8=0/9151, 7-8=0/7954, 5-7=0/10206  
 WEBS 2-8=-149/373, 3-8=0/3676, 3-7=0/6393, 4-7=-194/296

- NOTES-**
- 3-ply truss to be connected together with 10d (0.131"x3") nails as follows:  
 Top chords connected as follows: 2x6 - 2 rows staggered at 0-9-0 oc.  
 Bottom chords connected as follows: 2x8 - 3 rows staggered at 0-4-0 oc.  
 Webs connected as follows: 2x4 - 1 row at 0-9-0 oc.
  - All loads are considered equally applied to all plies, except if noted as front (F) or back (B) face in the LOAD CASE(S) section. Ply to ply connections have been provided to distribute only loads noted as (F) or (B), unless otherwise indicated.
  - Unbalanced roof live loads have been considered for this design.
  - Wind: ASCE 7-10; Vult=130mph (3-second gust) Vasd=103mph; TCDL=6.0psf; BCDL=6.0psf; h=15ft; Cat. II; Exp C; Enclosed; MWFRS (envelope); Lumber DOL=1.60 plate grip DOL=1.60
  - This truss has been designed for a 10.0 psf bottom chord live load nonconcurrent with any other live loads.
  - \* This truss has been designed for a live load of 20.0psf on the bottom chord in all areas where a rectangle 3-6-0 tall by 2-0-0 wide will fit between the bottom chord and any other members.
  - Hanger(s) or other connection device(s) shall be provided sufficient to support concentrated load(s) 2881 lb down at 8-1-8, 1441 lb down at 9-11-4, 1441 lb down at 11-11-4, 1441 lb down at 13-11-4, 1441 lb down at 15-11-4, and 1441 lb down at 17-11-4, and 1441 lb down at 19-11-4 on bottom chord. The design/selection of such connection device(s) is the responsibility of others.

**LOAD CASE(S)** Standard  
 1) Dead + Roof Live (balanced): Lumber Increase=1.15, Plate Increase=1.15  
 Uniform Loads (plf)  
 Vert: 1-5=-20, 1-3=-60, 3-5=-60  
 Concentrated Loads (lb)  
 Vert: 6=-1177(F) 9=-2354(F) 10=-1177(F) 11=-1177(F) 12=-1177(F) 13=-1177(F) 14=-1177(F)



April 22, 2021

**WARNING - Verify design parameters and READ NOTES ON THIS AND INCLUDED MITEK REFERENCE PAGE MII-7473 rev. 5/19/2020 BEFORE USE.**  
 Design valid for use only with MiTek® connectors. This design is based only upon parameters shown, and is for an individual building component, not a truss system. Before use, the building designer must verify the applicability of design parameters and properly incorporate this design into the overall building design. Bracing indicated is to prevent buckling of individual truss web and/or chord members only. Additional temporary and permanent bracing is always required for stability and to prevent collapse with possible personal injury and property damage. For general guidance regarding the fabrication, storage, delivery, erection and bracing of trusses and truss systems, see **ANSI/TPI1 Quality Criteria, DSB-89 and BCSI Building Component Safety Information** available from Truss Plate Institute, 2670 Crain Highway, Suite 203 Waldorf, MD 20601



818 Soundside Road  
 Edenton, NC 27932



Job	Truss	Truss Type	Qty	Ply	Weaver/Lot 2 Atkins Farm Estates/JoCo	E15647897
J0421-2506	P1	COMMON	4	1		

Comtech, Inc., Fayetteville, NC - 28314,

8.330 s Oct 7 2020 MiTek Industries, Inc. Thu Apr 22 10:29:46 2021 Page 1

ID:Sdzs0uuuUIT3B?9OD0R?ZKyk2HC-IAc1rW59GWdMzVHG0rKQj0QECzkrV03mjdQ?FzOBGJ

Job Reference (optional)



Scale = 1:29.7

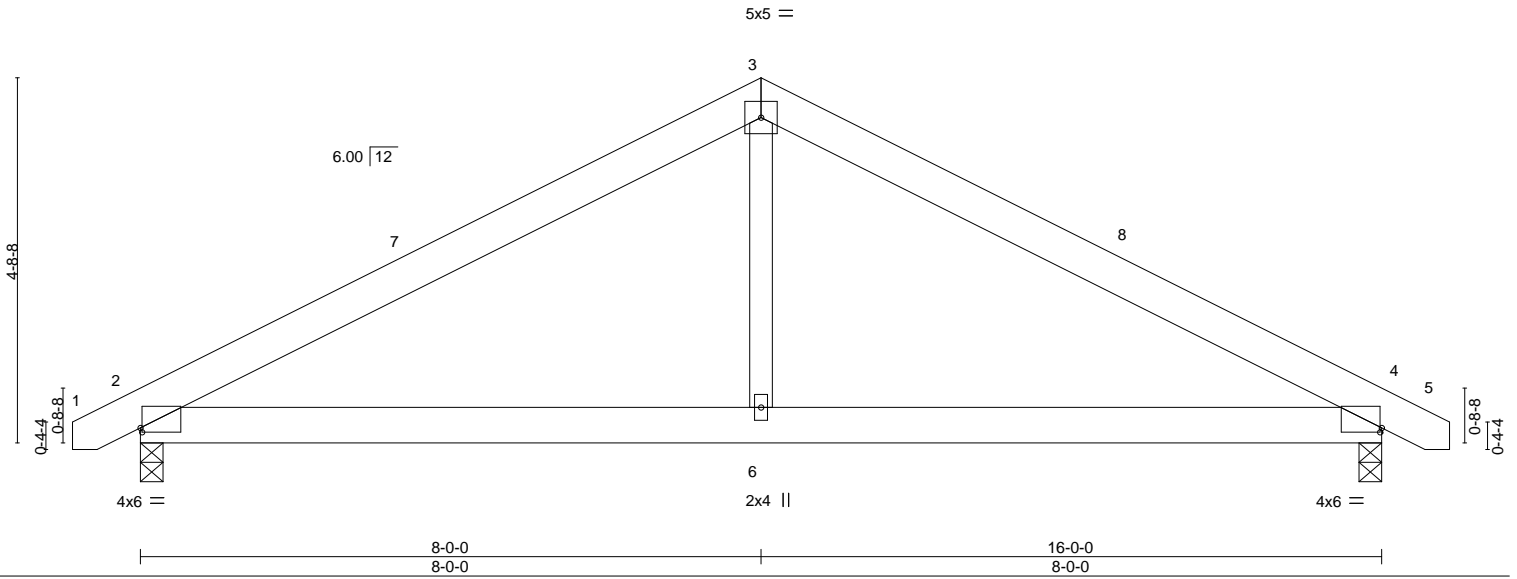


Plate Offsets (X,Y)-- [2:0-0-4,0-0-11], [4:0-0-4,0-0-11]

LOADING (psf)	SPACING-	CSI.	DEFL.	in (loc)	l/defl	L/d	PLATES	GRIP
TCLL 20.0	Plate Grip DOL 1.15	TC 0.29	Vert(LL) 0.06	4-6	>999	240	MT20	244/190
TCDL 10.0	Lumber DOL 1.15	BC 0.24	Vert(CT) -0.05	4-6	>999	240		
BCLL 0.0 *	Rep Stress Incr YES	WB 0.13	Horz(CT) 0.01	4	n/a	n/a		
BCDL 10.0	Code IRC2015/TPI2014	Matrix-S					Weight: 90 lb	FT = 20%

**LUMBER-**  
 TOP CHORD 2x6 SP No.1  
 BOT CHORD 2x6 SP No.1  
 WEBS 2x4 SP No.2

**BRACING-**  
 TOP CHORD Structural wood sheathing directly applied or 6-0-0 oc purlins.  
 BOT CHORD Rigid ceiling directly applied or 9-6-0 oc bracing.

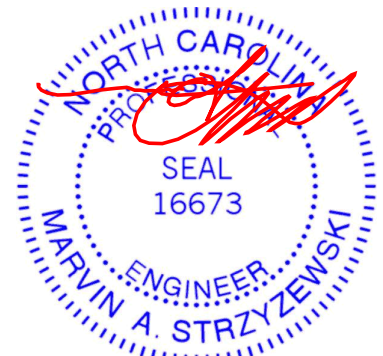
**REACTIONS.** (size) 2=0-3-8, 4=0-3-8  
 Max Horz 2=-57(LC 10)  
 Max Uplift 2=-142(LC 9), 4=-142(LC 8)  
 Max Grav 2=680(LC 1), 4=680(LC 1)

**FORCES.** (lb) - Max. Comp./Max. Ten. - All forces 250 (lb) or less except when shown.

TOP CHORD 2-3=-873/842, 3-4=-873/840  
 BOT CHORD 2-6=-615/675, 4-6=-615/675  
 WEBS 3-6=-478/381

**NOTES-**

- Unbalanced roof live loads have been considered for this design.
- Wind: ASCE 7-10; Vult=130mph (3-second gust) Vasd=103mph; TCDL=6.0psf; BCDL=6.0psf; h=15ft; Cat. II; Exp C; Enclosed; MWFRS (envelope) and C-C Exterior(2) -0-8-10 to 3-8-3, Interior(1) 3-8-3 to 8-0-0, Exterior(2) 8-0-0 to 12-4-13, Interior(1) 12-4-13 to 16-8-10 zone; porch left and right exposed; C-C for members and forces & MWFRS for reactions shown; Lumber DOL=1.60 plate grip DOL=1.60
- This truss has been designed for a 10.0 psf bottom chord live load nonconcurrent with any other live loads.
- \* This truss has been designed for a live load of 20.0psf on the bottom chord in all areas where a rectangle 3-6-0 tall by 2-0-0 wide will fit between the bottom chord and any other members.
- Provide mechanical connection (by others) of truss to bearing plate capable of withstanding 100 lb uplift at joint(s) except (jt=lb) 2=142, 4=142.
- See Standard Industry Piggyback Truss Connection Detail for Connection to base truss as applicable, or consult qualified building designer.



April 22, 2021

**WARNING - Verify design parameters and READ NOTES ON THIS AND INCLUDED MITEK REFERENCE PAGE MII-7473 rev. 5/19/2020 BEFORE USE.**

Design valid for use only with MiTek® connectors. This design is based only upon parameters shown, and is for an individual building component, not a truss system. Before use, the building designer must verify the applicability of design parameters and properly incorporate this design into the overall building design. Bracing indicated is to prevent buckling of individual truss web and/or chord members only. Additional temporary and permanent bracing is always required for stability and to prevent collapse with possible personal injury and property damage. For general guidance regarding the fabrication, storage, delivery, erection and bracing of trusses and truss systems, see

**ANSI/TPI1 Quality Criteria, DSB-89 and BCSI Building Component**

**Safety Information** available from Truss Plate Institute, 2670 Crain Highway, Suite 203 Waldorf, MD 20601



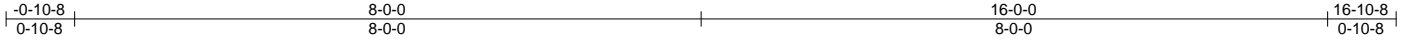
818 Soundside Road  
 Edenton, NC 27932

Job	Truss	Truss Type	Qty	Ply	Weaver/Lot 2 Atkins Farm Estates/JoCo	E15647898
J0421-2506	P1GE	GABLE	1	1	Job Reference (optional)	

Comtech, Inc., Fayetteville, NC - 28314,

8.330 s Oct 7 2020 MiTek Industries, Inc. Thu Apr 22 10:29:47 2021 Page 1

ID:Sdzs0uuuUIT3B?9OD0R?ZKyk2HC-mMAP2s6n1pIDbfsSZYrFEyOyN34EU4vxPzzYhzOBgl



Scale = 1:29.4

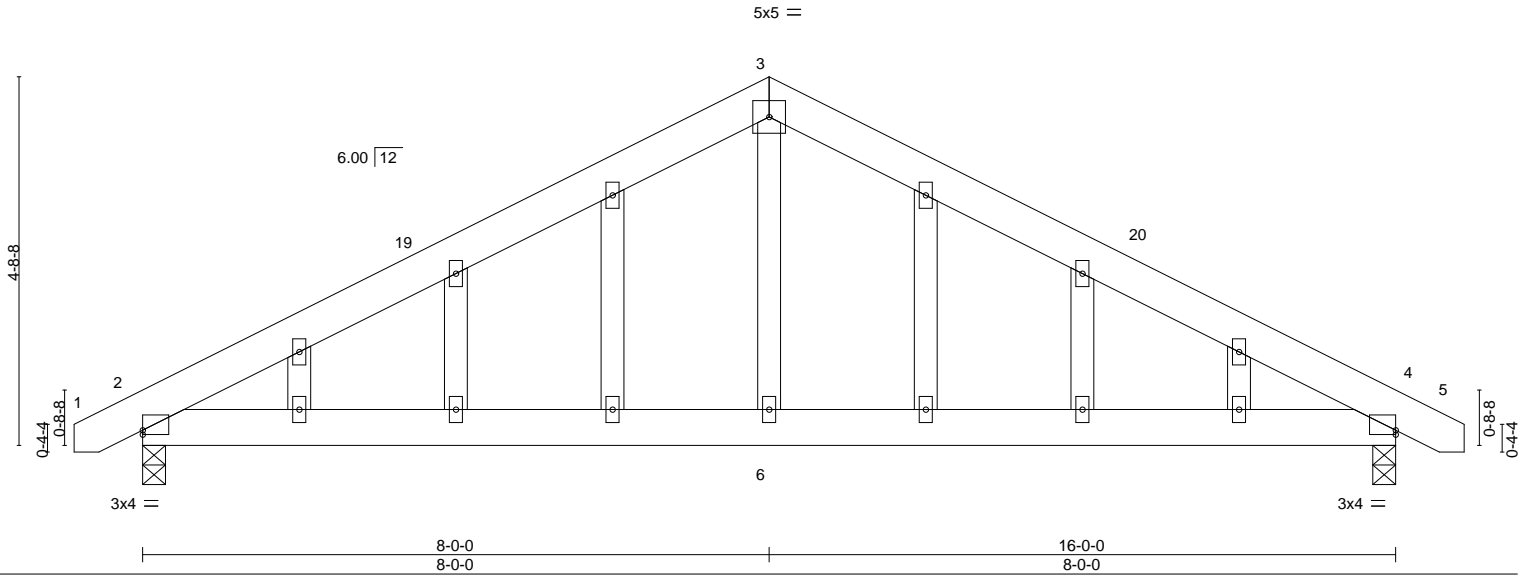


Plate Offsets (X,Y)-- [2:0-0,0-0-11], [4:0-0,0-0-11]

LOADING (psf)	SPACING-	CSL.	DEFL.	in (loc)	l/defl	L/d	PLATES	GRIP
TCLL 20.0	Plate Grip DOL 1.15	TC 0.29	Vert(LL) -0.02	4-6	>999	360	MT20	244/190
TCDL 10.0	Lumber DOL 1.15	BC 0.24	Vert(CT) -0.05	4-6	>999	240		
BCLL 0.0 *	Rep Stress Incr YES	WB 0.09	Horz(CT) 0.01	4	n/a	n/a		
BCDL 10.0	Code IRC2015/TPI2014	Matrix-S	Wind(LL) 0.03	2-6	>999	240		
							Weight: 106 lb	FT = 20%

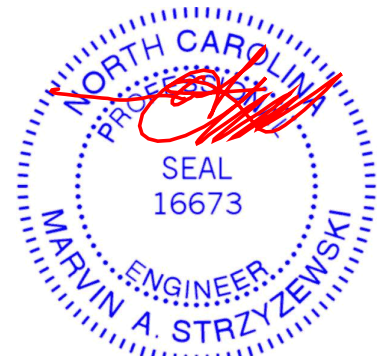
**LUMBER-**  
 TOP CHORD 2x6 SP No.1  
 BOT CHORD 2x6 SP No.1  
 WEBS 2x4 SP No.2  
 OTHERS 2x4 SP No.2

**BRACING-**  
 TOP CHORD Structural wood sheathing directly applied or 6-0-0 oc purlins.  
 BOT CHORD Rigid ceiling directly applied or 10-0-0 oc bracing.

**REACTIONS.** (size) 2=0-3-8, 4=0-3-8  
 Max Horz 2=-88(LC 17)  
 Max Uplift 2=-153(LC 12), 4=-153(LC 13)  
 Max Grav 2=680(LC 1), 4=680(LC 1)

**FORCES.** (lb) - Max. Comp./Max. Ten. - All forces 250 (lb) or less except when shown.  
 TOP CHORD 2-3=-873/238, 3-4=-873/236  
 BOT CHORD 2-6=-77/675, 4-6=-77/675  
 WEBS 3-6=0/381

- NOTES-**
- Unbalanced roof live loads have been considered for this design.
  - Wind: ASCE 7-10; Vult=130mph (3-second gust) Vasd=103mph; TC DL=6.0psf; BCDL=6.0psf; h=15ft; Cat. II; Exp C; Enclosed; MWFRS (envelope) gable end zone and C-C Exterior(2) -0-8-10 to 3-8-3, Interior(1) 3-8-3 to 8-0-0, Exterior(2) 8-0-0 to 12-4-13, Interior(1) 12-4-13 to 16-8-10 zone; C-C for members and forces & MWFRS for reactions shown; Lumber DOL=1.60 plate grip DOL=1.60
  - Truss designed for wind loads in the plane of the truss only. For studs exposed to wind (normal to the face), see Standard Industry Gable End Details as applicable, or consult qualified building designer as per ANSI/TPI 1.
  - All plates are 2x4 MT20 unless otherwise indicated.
  - Gable studs spaced at 2-0-0 oc.
  - This truss has been designed for a 10.0 psf bottom chord live load nonconcurrent with any other live loads.
  - \* This truss has been designed for a live load of 20.0psf on the bottom chord in all areas where a rectangle 3-6-0 tall by 2-0-0 wide will fit between the bottom chord and any other members.
  - Provide mechanical connection (by others) of truss to bearing plate capable of withstanding 100 lb uplift at joint(s) except (jt=lb) 2=153, 4=153.
  - See Standard Industry Piggyback Truss Connection Detail for Connection to base truss as applicable, or consult qualified building designer.



April 22, 2021

**WARNING - Verify design parameters and READ NOTES ON THIS AND INCLUDED MITEK REFERENCE PAGE MII-7473 rev. 5/19/2020 BEFORE USE.**

Design valid for use only with MiTek® connectors. This design is based only upon parameters shown, and is for an individual building component, not a truss system. Before use, the building designer must verify the applicability of design parameters and properly incorporate this design into the overall building design. Bracing indicated is to prevent buckling of individual truss web and/or chord members only. Additional temporary and permanent bracing is always required for stability and to prevent collapse with possible personal injury and property damage. For general guidance regarding the fabrication, storage, delivery, erection and bracing of trusses and truss systems, see

**ANSI/TPI1 Quality Criteria, DSB-89 and BCSI Building Component**

**Safety Information** available from Truss Plate Institute, 2670 Crain Highway, Suite 203 Waldorf, MD 20601



818 Soundside Road  
 Edenton, NC 27932

Job	Truss	Truss Type	Qty	Ply	Weaver/Lot 2 Atkins Farm Estates/JoCo	E15647899
J0421-2506	PB1	PIGGYBACK	9	1	Job Reference (optional)	

Comtech, Inc., Fayetteville, NC - 28314,

8.330 s Oct 7 2020 MiTek Industries, Inc. Thu Apr 22 10:29:48 2021 Page 1  
 ID:Sdzs0uuhUIT3B?9OD0R?ZKyk2HC-EYjnGB7Po7t4CpRe7GMuoRVZLnPvzxH2A3iX47zOBgH

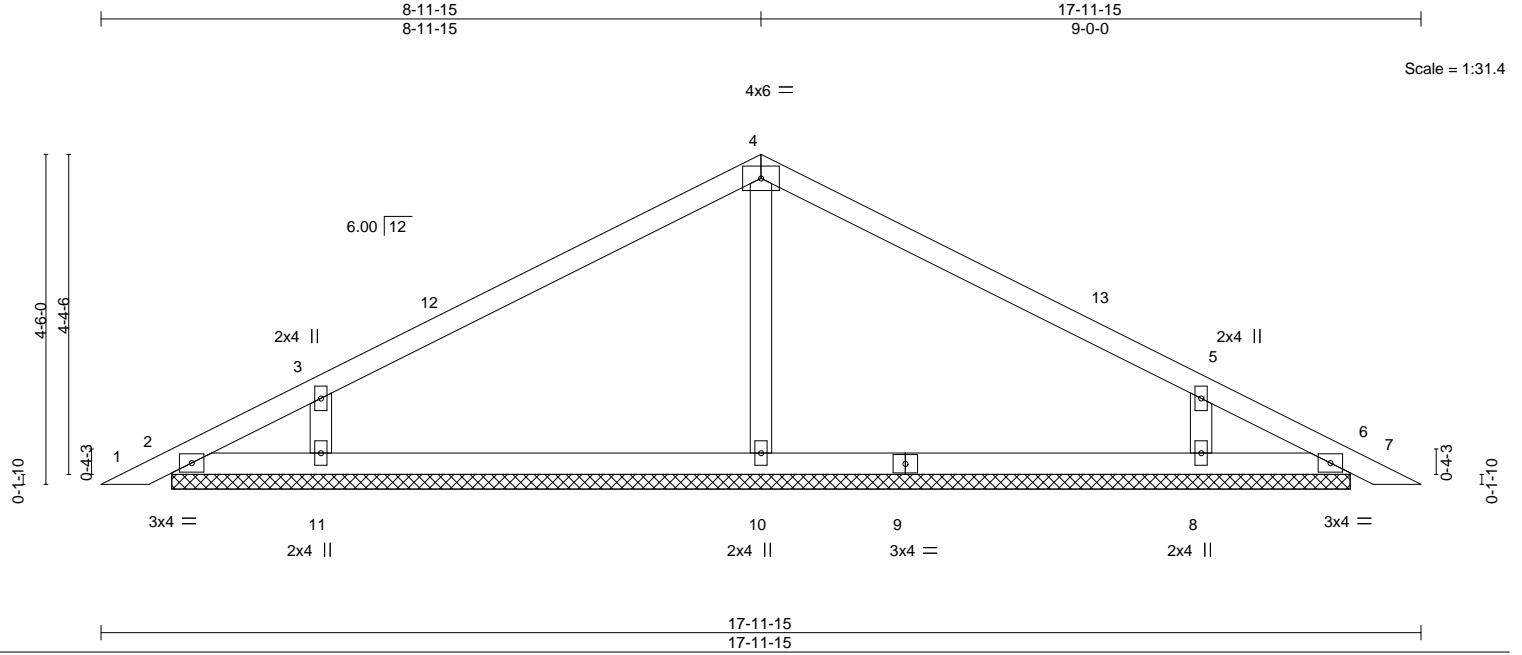


Plate Offsets (X,Y)-- [5:0-0-0-0-0-0]

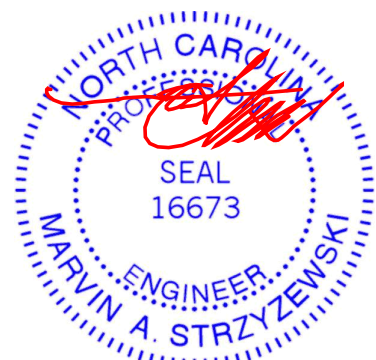
LOADING (psf)	SPACING-	2-0-0	CSI.	DEFL.	in	(loc)	l/defl	L/d	PLATES	GRIP
TCLL 20.0	Plate Grip DOL	1.15	TC 0.31	Vert(LL)	-0.00	7	n/r	120	MT20	244/190
TCDL 10.0	Lumber DOL	1.15	BC 0.20	Vert(CT)	-0.00	7	n/r	120		
BCLL 0.0 *	Rep Stress Incr	YES	WB 0.09	Horz(CT)	0.00	6	n/a	n/a		
BCDL 10.0	Code	IRC2015/TPI2014	Matrix-S						Weight: 62 lb	FT = 20%

LUMBER-	BRACING-
TOP CHORD 2x4 SP No.1	TOP CHORD Structural wood sheathing directly applied or 6-0-0 oc purlins.
BOT CHORD 2x4 SP No.1	BOT CHORD Rigid ceiling directly applied or 10-0-0 oc bracing.
OTHERS 2x4 SP No.2	

**REACTIONS.** All bearings 16-0-12.  
 (lb) - Max Horz 2=56(LC 11)  
 Max Uplift All uplift 100 lb or less at joint(s) 2, 6 except 11=-105(LC 12), 8=-105(LC 13)  
 Max Grav All reactions 250 lb or less at joint(s) 2, 6 except 10=428(LC 1), 11=440(LC 23), 8=440(LC 24)

**FORCES.** (lb) - Max. Comp./Max. Ten. - All forces 250 (lb) or less except when shown.  
 WEBS 4-10=298/101, 3-11=356/260, 5-8=356/263

- NOTES-**
- Unbalanced roof live loads have been considered for this design.
  - Wind: ASCE 7-10; Vult=130mph (3-second gust) Vasd=103mph; TC DL=6.0psf; BCDL=6.0psf; h=15ft; Cat. II; Exp C; Enclosed; MWFRS (envelope) and C-C Exterior(2) 0-3-15 to 4-8-11, Interior(1) 4-8-11 to 8-11-15, Exterior(2) 8-11-15 to 13-4-12, Interior(1) 13-4-12 to 17-8-0 zone; C-C for members and forces & MWFRS for reactions shown; Lumber DOL=1.60 plate grip DOL=1.60
  - This truss has been designed for a 10.0 psf bottom chord live load nonconcurrent with any other live loads.
  - \* This truss has been designed for a live load of 20.0psf on the bottom chord in all areas where a rectangle 3-6-0 tall by 2-0-0 wide will fit between the bottom chord and any other members.
  - Provide mechanical connection (by others) of truss to bearing plate capable of withstanding 100 lb uplift at joint(s) 2, 6 except (jt=lb) 11=105, 8=105.
  - Non Standard bearing condition. Review required.
  - See Standard Industry Piggyback Truss Connection Detail for Connection to base truss as applicable, or consult qualified building designer.

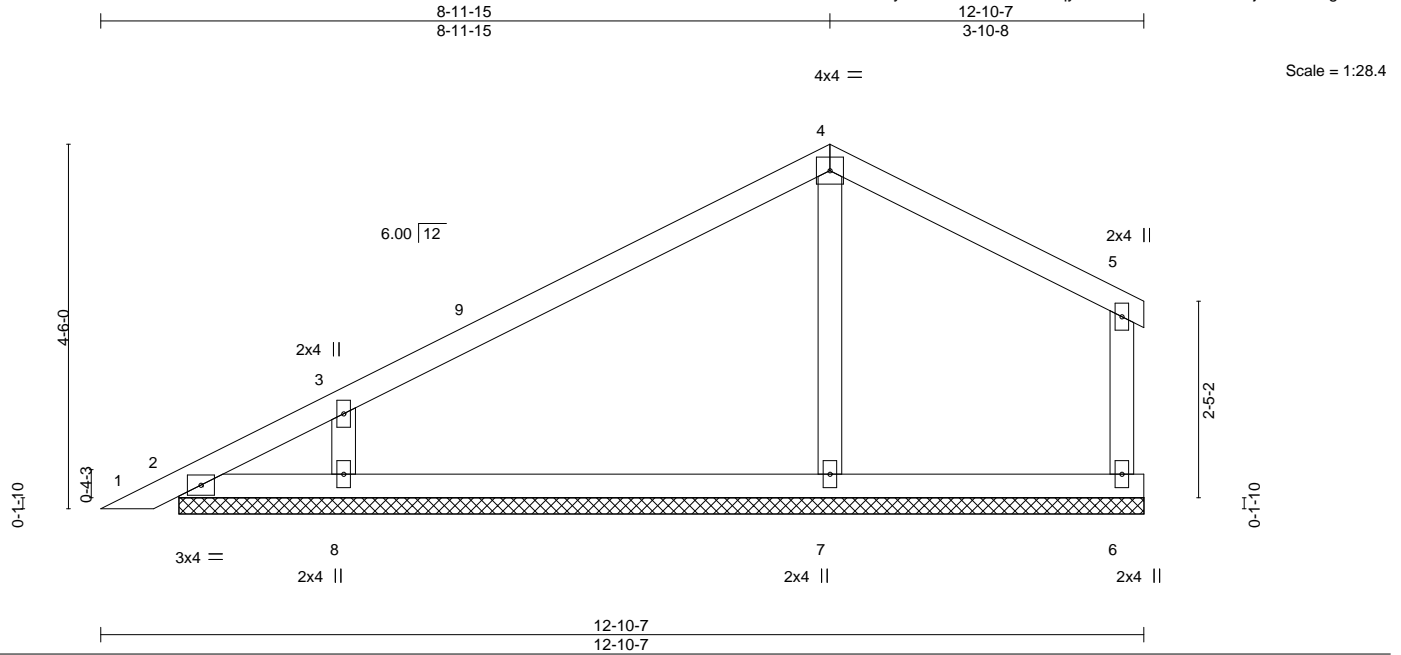


April 22, 2021

Job	Truss	Truss Type	Qty	Ply	Weaver/Lot 2 Atkins Farm Estates/JoCo	E15647900
J0421-2506	PB2	PIGGYBACK	3	1	Job Reference (optional)	

Comtech, Inc, Fayetteville, NC - 28314,

8.330 s Oct 7 2020 MiTek Industries, Inc. Thu Apr 22 10:29:49 2021 Page 1  
ID:Sdzs0uuuUIT3B?9OD0R?ZKyk2HC-iiH9TX81ZR?xqy0rhzt7Kf2k1BmmiOdCPjS4cZzOBgG



LOADING (psf)	SPACING-	2-0-0	CSI.	DEFL.	in	(loc)	l/defl	L/d	PLATES	GRIP
TCLL 20.0	Plate Grip DOL	1.15	TC 0.32	Vert(LL)	0.00	1	n/r	120	MT20	244/190
TCDL 10.0	Lumber DOL	1.15	BC 0.16	Vert(CT)	-0.00	1	n/r	120		
BCLL 0.0 *	Rep Stress Incr	YES	WB 0.08	Horz(CT)	0.00	6	n/a	n/a		
BCDL 10.0	Code IRC2015/TPI2014		Matrix-S						Weight: 49 lb	FT = 20%

**LUMBER-**

TOP CHORD 2x4 SP No.1  
BOT CHORD 2x4 SP No.1  
WEBS 2x4 SP No.2  
OTHERS 2x4 SP No.2

**BRACING-**

TOP CHORD Structural wood sheathing directly applied or 6-0-0 oc purlins, except end verticals.  
BOT CHORD Rigid ceiling directly applied or 10-0-0 oc bracing.

**REACTIONS.**

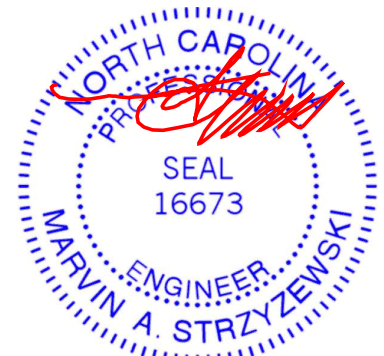
All bearings 11-10-14.  
(lb) - Max Horz 2=102(LC 12)  
Max Uplift All uplift 100 lb or less at joint(s) 6, 2, 7 except 8=103(LC 12)  
Max Grav All reactions 250 lb or less at joint(s) 6, 2 except 7=387(LC 1), 8=447(LC 23)

**FORCES.** (lb) - Max. Comp./Max. Ten. - All forces 250 (lb) or less except when shown.

WEBS 4-7=-277/173, 3-8=-356/285

**NOTES-**

- Unbalanced roof live loads have been considered for this design.
- Wind: ASCE 7-10; Vult=130mph (3-second gust) Vasd=103mph; TCDL=6.0psf; BCDL=6.0psf; h=15ft; Cat. II; Exp C; Enclosed; MWFRS (envelope) and C-C Exterior(2) 0-3-15 to 4-8-11, Interior(1) 4-8-11 to 8-11-15, Exterior(2) 8-11-15 to 12-7-3 zone;C-C for members and forces & MWFRS for reactions shown; Lumber DOL=1.60 plate grip DOL=1.60
- Gable requires continuous bottom chord bearing.
- This truss has been designed for a 10.0 psf bottom chord live load nonconcurrent with any other live loads.
- \* This truss has been designed for a live load of 20.0psf on the bottom chord in all areas where a rectangle 3-6-0 tall by 2-0-0 wide will fit between the bottom chord and any other members.
- Provide mechanical connection (by others) of truss to bearing plate capable of withstanding 100 lb uplift at joint(s) 6, 2, 7 except (jt=lb) 8=103.
- See Standard Industry Piggyback Truss Connection Detail for Connection to base truss as applicable, or consult qualified building designer.



April 22, 2021

**WARNING - Verify design parameters and READ NOTES ON THIS AND INCLUDED MITEK REFERENCE PAGE MII-7473 rev. 5/19/2020 BEFORE USE.**

Design valid for use only with MiTek® connectors. This design is based only upon parameters shown, and is for an individual building component, not a truss system. Before use, the building designer must verify the applicability of design parameters and properly incorporate this design into the overall building design. Bracing indicated is to prevent buckling of individual truss web and/or chord members only. Additional temporary and permanent bracing is always required for stability and to prevent collapse with possible personal injury and property damage. For general guidance regarding the fabrication, storage, delivery, erection and bracing of trusses and truss systems, see

**ANSI/TPI1 Quality Criteria, DSB-89 and BCSI Building Component**

**Safety Information** available from Truss Plate Institute, 2670 Crain Highway, Suite 203 Waldorf, MD 20601

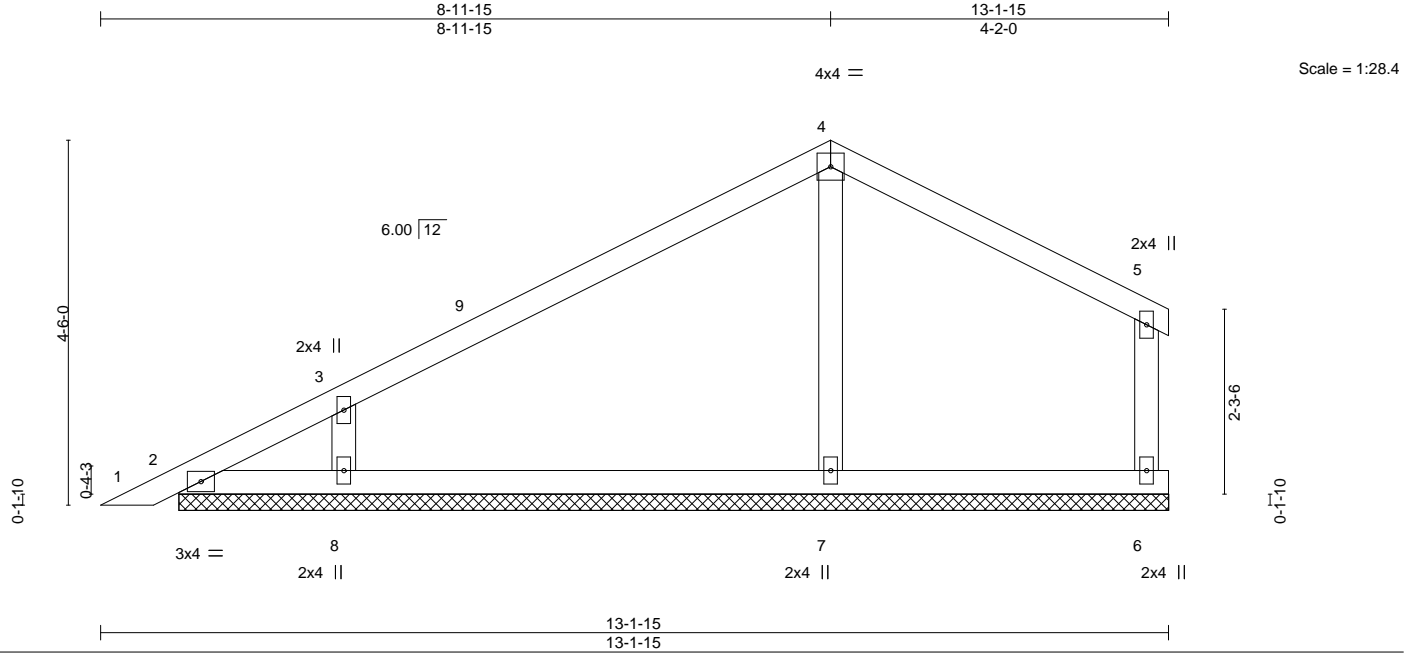


818 Soundside Road  
Edenton, NC 27932

Job	Truss	Truss Type	Qty	Ply	Weaver/Lot 2 Atkins Farm Estates/JoCo	E15647901
J0421-2506	PB3	PIGGYBACK	5	1	Job Reference (optional)	

Comtech, Inc., Fayetteville, NC - 28314,

8.330 s Oct 7 2020 MiTek Industries, Inc. Thu Apr 22 10:29:51 2021 Page 1  
 ID:Sdzs0uuhUIT3B?9OD0R?ZKyk2HC-e7PwuD9I52Ff3GADoOvbQ474W\_SCAI7Vs1xBhSzOBgE



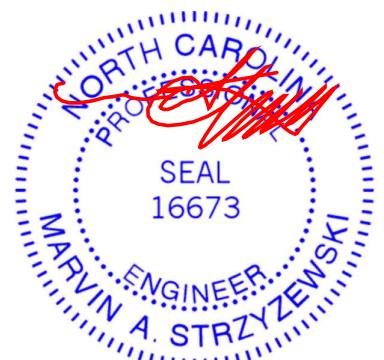
LOADING (psf)	SPACING-	CSI.	DEFL.	in	(loc)	l/defl	L/d	PLATES	GRIP
TCLL 20.0	Plate Grip DOL 1.15	TC 0.32	Vert(LL) 0.00	0.00	1	n/r	120	MT20	244/190
TCDL 10.0	Lumber DOL 1.15	BC 0.16	Vert(CT) -0.00	-0.00	1	n/r	120		
BCLL 0.0 *	Rep Stress Incr YES	WB 0.08	Horz(CT) 0.00	0.00	6	n/a	n/a		
BCDL 10.0	Code IRC2015/TPI2014	Matrix-S						Weight: 50 lb	FT = 20%

LUMBER-	BRACING-
TOP CHORD 2x4 SP No.1	TOP CHORD Structural wood sheathing directly applied or 6-0-0 oc purlins, except end verticals.
BOT CHORD 2x4 SP No.1	BOT CHORD Rigid ceiling directly applied or 10-0-0 oc bracing.
WEBS 2x4 SP No.2	
OTHERS 2x4 SP No.2	

**REACTIONS.** All bearings 12-2-6.  
 (lb) - Max Horz 2=99(LC 12)  
 Max Uplift All uplift 100 lb or less at joint(s) 6, 2, 7 except 8=104(LC 12)  
 Max Grav All reactions 250 lb or less at joint(s) 6, 2 except 7=390(LC 1), 8=447(LC 23)

**FORCES.** (lb) - Max. Comp./Max. Ten. - All forces 250 (lb) or less except when shown.  
 WEBS 4-7=-279/166, 3-8=-356/282

- NOTES-**
- Unbalanced roof live loads have been considered for this design.
  - Wind: ASCE 7-10; Vult=130mph (3-second gust) Vasd=103mph; TCDL=6.0psf; BCDL=6.0psf; h=15ft; Cat. II; Exp C; Enclosed; MWFRS (envelope) and C-C Exterior(2) 0-3-15 to 4-8-11, Interior(1) 4-8-11 to 8-11-15, Exterior(2) 8-11-15 to 12-10-11 zone; C-C for members and forces & MWFRS for reactions shown; Lumber DOL=1.60 plate grip DOL=1.60
  - Gable requires continuous bottom chord bearing.
  - This truss has been designed for a 10.0 psf bottom chord live load nonconcurrent with any other live loads.
  - \* This truss has been designed for a live load of 20.0psf on the bottom chord in all areas where a rectangle 3-6-0 tall by 2-0-0 wide will fit between the bottom chord and any other members.
  - Provide mechanical connection (by others) of truss to bearing plate capable of withstanding 100 lb uplift at joint(s) 6, 2, 7 except (jt=lb) 8=104.
  - See Standard Industry Piggyback Truss Connection Detail for Connection to base truss as applicable, or consult qualified building designer.

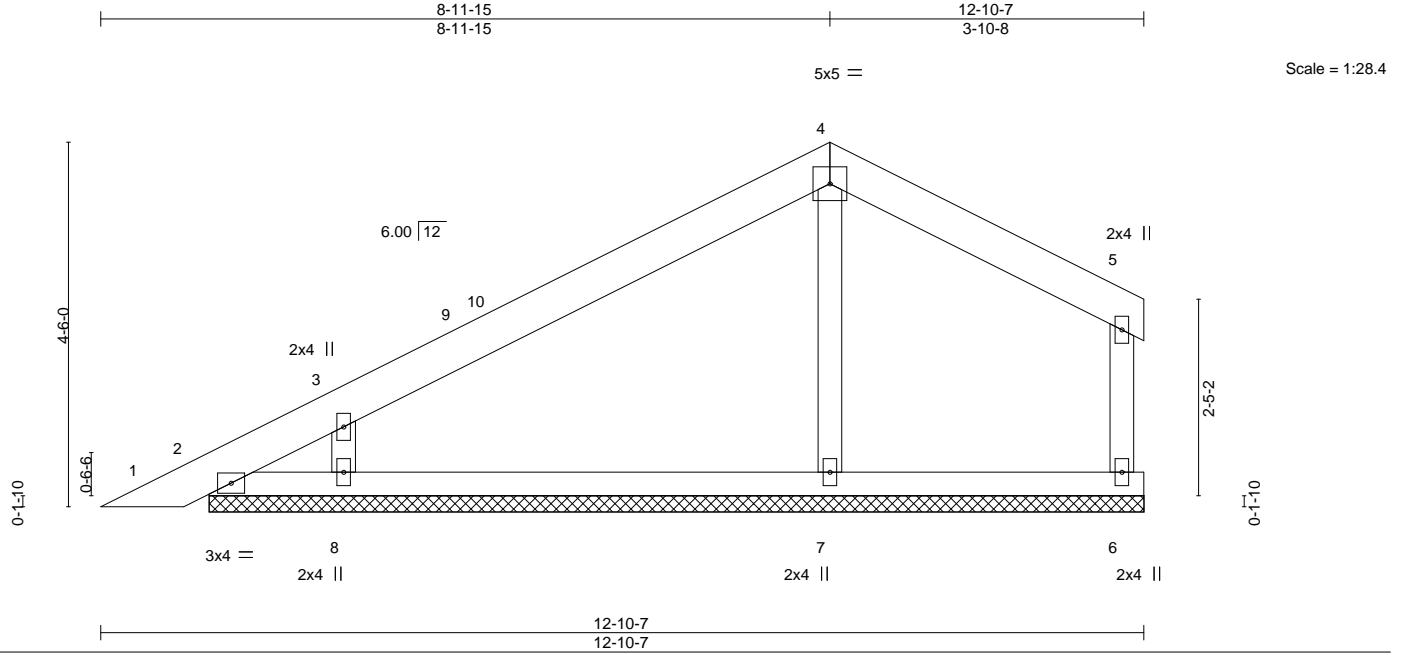


April 22, 2021

Job	Truss	Truss Type	Qty	Ply	Weaver/Lot 2 Atkins Farm Estates/JoCo	E15647902
J0421-2506	PB4	PIGGYBACK	2	2	Job Reference (optional)	

Comtech, Inc., Fayetteville, NC - 28314,

8.330 s Oct 7 2020 MiTek Industries, Inc. Thu Apr 22 10:29:52 2021 Page 1  
ID:Sdzs0uuuUIT3B?9OD0R?ZKyk2HC-7Kz15ZAwsMNVhQIQM5RqyHglBOpivmEe5hgkDuzOBgD



LOADING (psf)	SPACING-	CSI.	DEFL.	in (loc)	l/defl	L/d	PLATES	GRIP
TCLL 20.0	Plate Grip DOL 1.15	TC 0.07	Vert(LL) 0.00	1	n/r	120	MT20	244/190
TCDL 10.0	Lumber DOL 1.15	BC 0.08	Vert(CT) -0.00	1	n/r	120		
BCLL 0.0 *	Rep Stress Incr YES	WB 0.03	Horz(CT) 0.00	6	n/a	n/a		
BCDL 10.0	Code IRC2015/TPI2014	Matrix-S					Weight: 121 lb	FT = 20%

**LUMBER-**

TOP CHORD 2x6 SP No.1  
BOT CHORD 2x4 SP No.1  
WEBS 2x4 SP No.2  
OTHERS 2x4 SP No.2

**BRACING-**

TOP CHORD Structural wood sheathing directly applied or 6-0-0 oc purlins, except end verticals.  
BOT CHORD Rigid ceiling directly applied or 10-0-0 oc bracing.

**REACTIONS.**

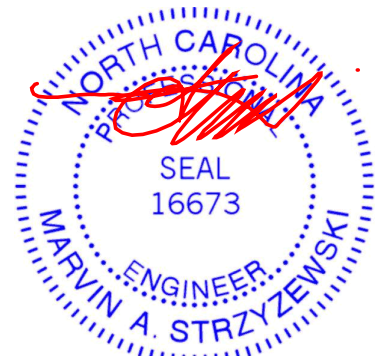
All bearings 11-6-7.  
(lb) - Max Horz 2=99(LC 12)  
Max Uplift All uplift 100 lb or less at joint(s) 6, 2, 7 except 8=111(LC 12)  
Max Grav All reactions 250 lb or less at joint(s) 6, 2 except 7=391(LC 1), 8=455(LC 23)

**FORCES.** (lb) - Max. Comp./Max. Ten. - All forces 250 (lb) or less except when shown.

WEBS 4-7=-282/182, 3-8=-349/301

**NOTES-**

- 2-ply truss to be connected together with 10d (0.131"x3") nails as follows:  
Top chords connected as follows: 2x6 - 2 rows staggered at 0-9-0 oc, 2x4 - 1 row at 0-9-0 oc.  
Bottom chords connected as follows: 2x4 - 1 row at 0-9-0 oc.
- All loads are considered equally applied to all plies, except if noted as front (F) or back (B) face in the LOAD CASE(S) section. Ply to ply connections have been provided to distribute only loads noted as (F) or (B), unless otherwise indicated.
- Unbalanced roof live loads have been considered for this design.
- Wind: ASCE 7-10; Vult=130mph (3-second gust) Vasd=103mph; TCDL=6.0psf; BCDL=6.0psf; h=15ft; Cat. II; Exp C; Enclosed; MWFRS (envelope) and C-C Exterior(2) 0-6-2 to 4-10-15, Interior(1) 4-10-15 to 8-11-15, Exterior(2) 8-11-15 to 12-7-3 zone; C-C for members and forces & MWFRS for reactions shown; Lumber DOL=1.60 plate grip DOL=1.60
- Gable requires continuous bottom chord bearing.
- This truss has been designed for a 10.0 psf bottom chord live load nonconcurrent with any other live loads.
- \* This truss has been designed for a live load of 20.0psf on the bottom chord in all areas where a rectangle 3-6-0 tall by 2-0-0 wide will fit between the bottom chord and any other members.
- Provide mechanical connection (by others) of truss to bearing plate capable of withstanding 100 lb uplift at joint(s) 6, 2, 7 except (jt=lb) 8=111.
- See Standard Industry Piggyback Truss Connection Detail for Connection to base truss as applicable, or consult qualified building designer.



April 22, 2021

**WARNING - Verify design parameters and READ NOTES ON THIS AND INCLUDED MITEK REFERENCE PAGE MII-7473 rev. 5/19/2020 BEFORE USE.**

Design valid for use only with MiTek® connectors. This design is based only upon parameters shown, and is for an individual building component, not a truss system. Before use, the building designer must verify the applicability of design parameters and properly incorporate this design into the overall building design. Bracing indicated is to prevent buckling of individual truss web and/or chord members only. Additional temporary and permanent bracing is always required for stability and to prevent collapse with possible personal injury and property damage. For general guidance regarding the fabrication, storage, delivery, erection and bracing of trusses and truss systems, see

**ANSI/TPI1 Quality Criteria, DSB-89 and BCSI Building Component**

**Safety Information** available from Truss Plate Institute, 2670 Crain Highway, Suite 203 Waldorf, MD 20601



818 Soundside Road  
Edenton, NC 27932



Job	Truss	Truss Type	Qty	Ply	Weaver/Lot 2 Atkins Farm Estates/JoCo	E15647903
J0421-2506	VP1	VALLEY	1	1	Job Reference (optional)	

Comtech, Inc., Fayetteville, NC - 28314,

8.330 s Oct 7 2020 MiTek Industries, Inc. Thu Apr 22 10:29:54 2021 Page 1

ID:Sdzs0uuhUIT3B?9OD0R?ZKyk2HC-3i52WFBAOzdDwkuoUWT11ildSCUBNgOxY?9rHnzOBgB

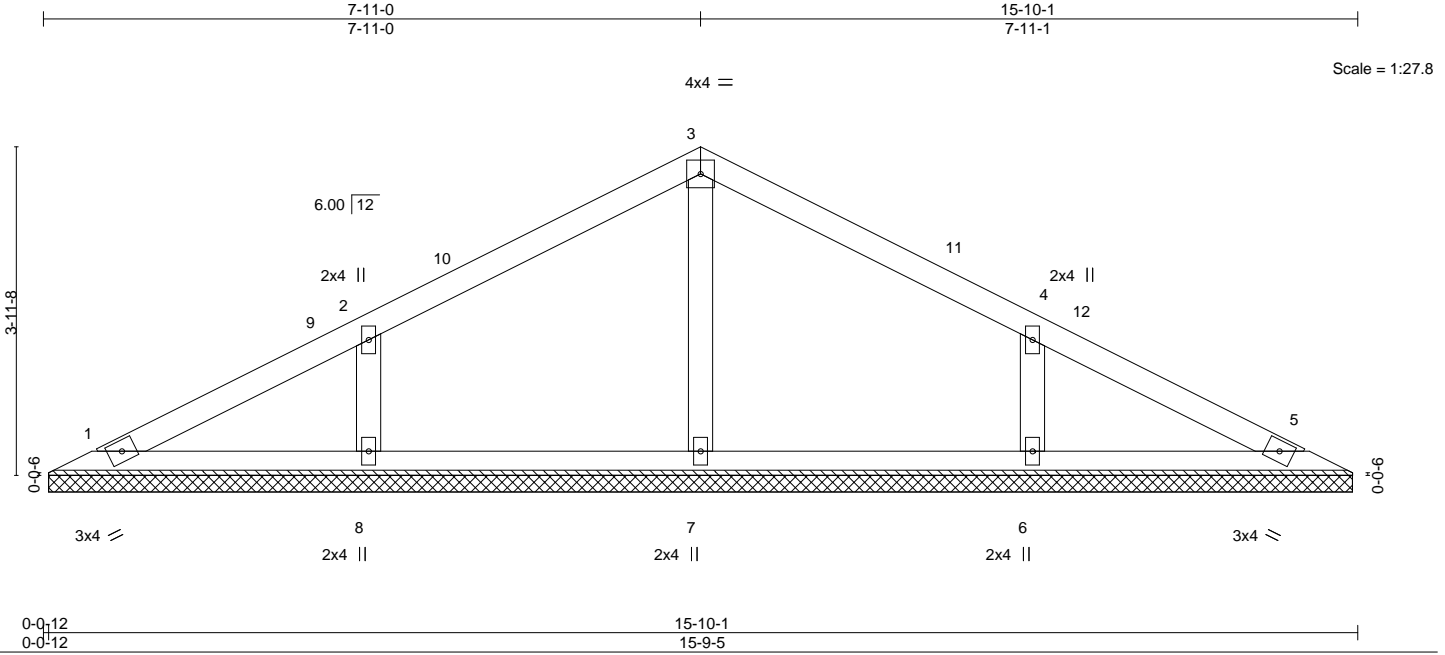


Plate Offsets (X,Y)--	[4:0-0-0,0-0-0]
-----------------------	-----------------

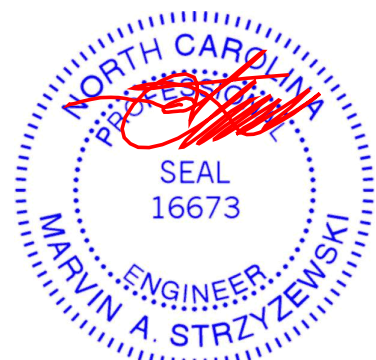
LOADING (psf)	SPACING-	CSI.	DEFL.	in (loc)	l/defl	L/d	PLATES	GRIP
TCLL 20.0	Plate Grip DOL 1.15	TC 0.15	Vert(LL)	n/a	-	n/a	MT20	244/190
TCDL 10.0	Lumber DOL 1.15	BC 0.08	Vert(CT)	n/a	-	n/a		
BCLL 0.0 *	Rep Stress Incr YES	WB 0.05	Horz(CT)	0.00	5	n/a		
BCDL 10.0	Code IRC2015/TPI2014	Matrix-S					Weight: 57 lb	FT = 20%

LUMBER-	BRACING-
TOP CHORD 2x4 SP No.1	TOP CHORD Structural wood sheathing directly applied or 6-0-0 oc purlins.
BOT CHORD 2x4 SP No.1	BOT CHORD Rigid ceiling directly applied or 10-0-0 oc bracing.
OTHERS 2x4 SP No.2	

**REACTIONS.** All bearings 15-8-9.  
 (lb) - Max Horz 1=48(LC 10)  
 Max Uplift All uplift 100 lb or less at joint(s) 1, 8, 6  
 Max Grav All reactions 250 lb or less at joint(s) 1, 5 except 7=272(LC 1), 8=344(LC 23), 6=344(LC 24)

**FORCES.** (lb) - Max. Comp./Max. Ten. - All forces 250 (lb) or less except when shown.  
 WEBS 2-8=-260/202, 4-6=-260/202

- NOTES-**
- Unbalanced roof live loads have been considered for this design.
  - Wind: ASCE 7-10; Vult=130mph (3-second gust) Vasd=103mph; TC DL=6.0psf; BCDL=6.0psf; h=15ft; Cat. II; Exp C; Enclosed; MWFRS (envelope) and C-C Exterior(2) 0-7-13 to 5-0-10, Interior(1) 5-0-10 to 7-11-0, Exterior(2) 7-11-0 to 12-3-13, Interior(1) 12-3-13 to 15-2-4 zone; C-C for members and forces & MWFRS for reactions shown; Lumber DOL=1.60 plate grip DOL=1.60
  - This truss has been designed for a 10.0 psf bottom chord live load nonconcurrent with any other live loads.
  - \* This truss has been designed for a live load of 20.0psf on the bottom chord in all areas where a rectangle 3-6-0 tall by 2-0-0 wide will fit between the bottom chord and any other members.
  - Provide mechanical connection (by others) of truss to bearing plate capable of withstanding 100 lb uplift at joint(s) 1, 8, 6.
  - Non Standard bearing condition. Review required.



April 22, 2021

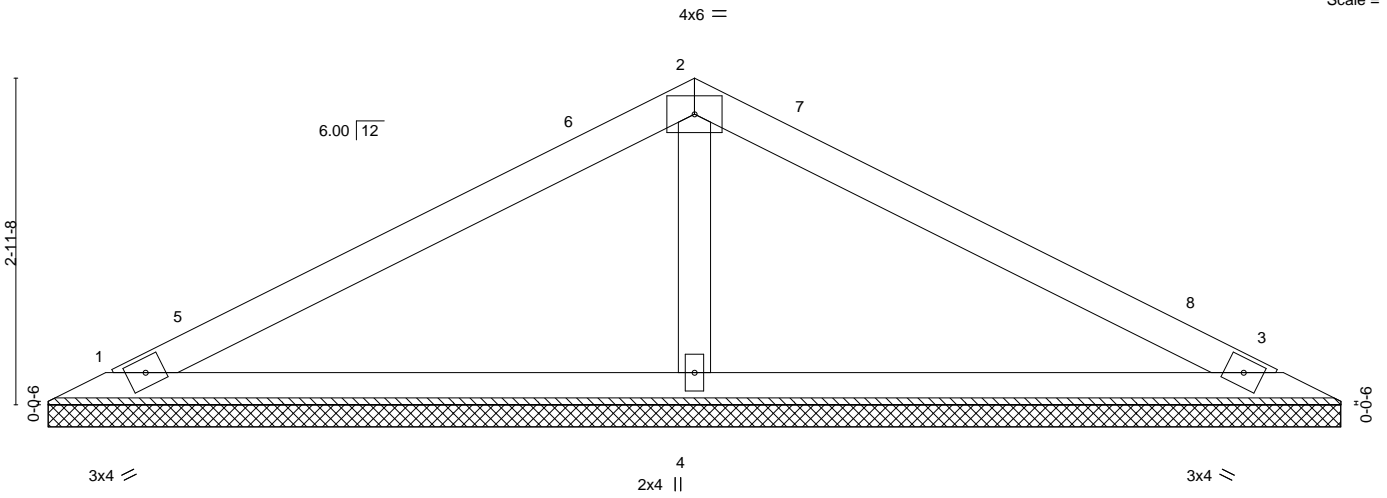
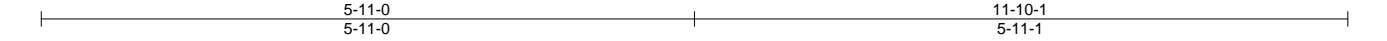


Job	Truss	Truss Type	Qty	Ply	Weaver/Lot 2 Atkins Farm Estates/JoCo	E15647904
J0421-2506	VP2	VALLEY	1	1	Job Reference (optional)	

Comtech, Inc., Fayetteville, NC - 28314,

8.330 s Oct 7 2020 MiTek Industries, Inc. Thu Apr 22 10:29:56 2021 Page 1

ID:Sdzs0uuhUIT3B?9OD0R?ZKyk2HC-?5CpxwDQwauxA12BbxVm77qxe?8lrZuE0JeyMfzOBg9



LOADING (psf)	SPACING-	CSI.	DEFL.	in (loc)	l/defl	L/d	PLATES	GRIP
TCLL 20.0	Plate Grip DOL 1.15	TC 0.29	Vert(LL) n/a	-	n/a	999	MT20	244/190
TCDL 10.0	Lumber DOL 1.15	BC 0.20	Vert(CT) n/a	-	n/a	999		
BCLL 0.0 *	Rep Stress Incr YES	WB 0.05	Horz(CT) 0.00	3	n/a	n/a		
BCDL 10.0	Code IRC2015/TPI2014	Matrix-S					Weight: 38 lb	FT = 20%

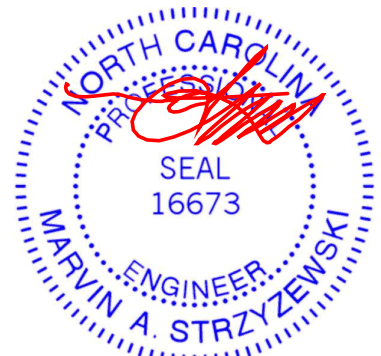
**LUMBER-**  
TOP CHORD 2x4 SP No.1  
BOT CHORD 2x4 SP No.1  
OTHERS 2x4 SP No.2

**BRACING-**  
TOP CHORD Structural wood sheathing directly applied or 6-0-0 oc purlins.  
BOT CHORD Rigid ceiling directly applied or 10-0-0 oc bracing.

**REACTIONS.** (size) 1=11-8-9, 3=11-8-9, 4=11-8-9  
Max Horz 1=35(LC 11)  
Max Uplift 1=-26(LC 12), 3=-32(LC 13)  
Max Grav 1=195(LC 23), 3=195(LC 24), 4=456(LC 1)

**FORCES.** (lb) - Max. Comp./Max. Ten. - All forces 250 (lb) or less except when shown.  
WEBS 2-4=-302/187

- NOTES-**
- Unbalanced roof live loads have been considered for this design.
  - Wind: ASCE 7-10; Vult=130mph (3-second gust) Vasd=103mph; TCDL=6.0psf; BCDL=6.0psf; h=15ft; Cat. II; Exp C; Enclosed; MWFRS (envelope) and C-C Exterior(2) 0-7-13 to 5-0-10, Interior(1) 5-0-10 to 5-11-0, Exterior(2) 5-11-0 to 10-3-13, Interior(1) 10-3-13 to 11-2-4 zone; C-C for members and forces & MWFRS for reactions shown; Lumber DOL=1.60 plate grip DOL=1.60
  - This truss has been designed for a 10.0 psf bottom chord live load nonconcurrent with any other live loads.
  - \* This truss has been designed for a live load of 20.0psf on the bottom chord in all areas where a rectangle 3-6-0 tall by 2-0-0 wide will fit between the bottom chord and any other members.
  - Provide mechanical connection (by others) of truss to bearing plate capable of withstanding 100 lb uplift at joint(s) 1, 3.
  - Non Standard bearing condition. Review required.



April 22, 2021

**WARNING - Verify design parameters and READ NOTES ON THIS AND INCLUDED MITEK REFERENCE PAGE MII-7473 rev. 5/19/2020 BEFORE USE.**

Design valid for use only with MiTek® connectors. This design is based only upon parameters shown, and is for an individual building component, not a truss system. Before use, the building designer must verify the applicability of design parameters and properly incorporate this design into the overall building design. Bracing indicated is to prevent buckling of individual truss web and/or chord members only. Additional temporary and permanent bracing is always required for stability and to prevent collapse with possible personal injury and property damage. For general guidance regarding the fabrication, storage, delivery, erection and bracing of trusses and truss systems, see

**ANSI/TPI1 Quality Criteria, DSB-89 and BCSI Building Component**

**Safety Information** available from Truss Plate Institute, 2670 Crain Highway, Suite 203 Waldorf, MD 20601

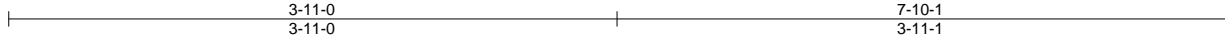


818 Soundside Road  
Edenton, NC 27932

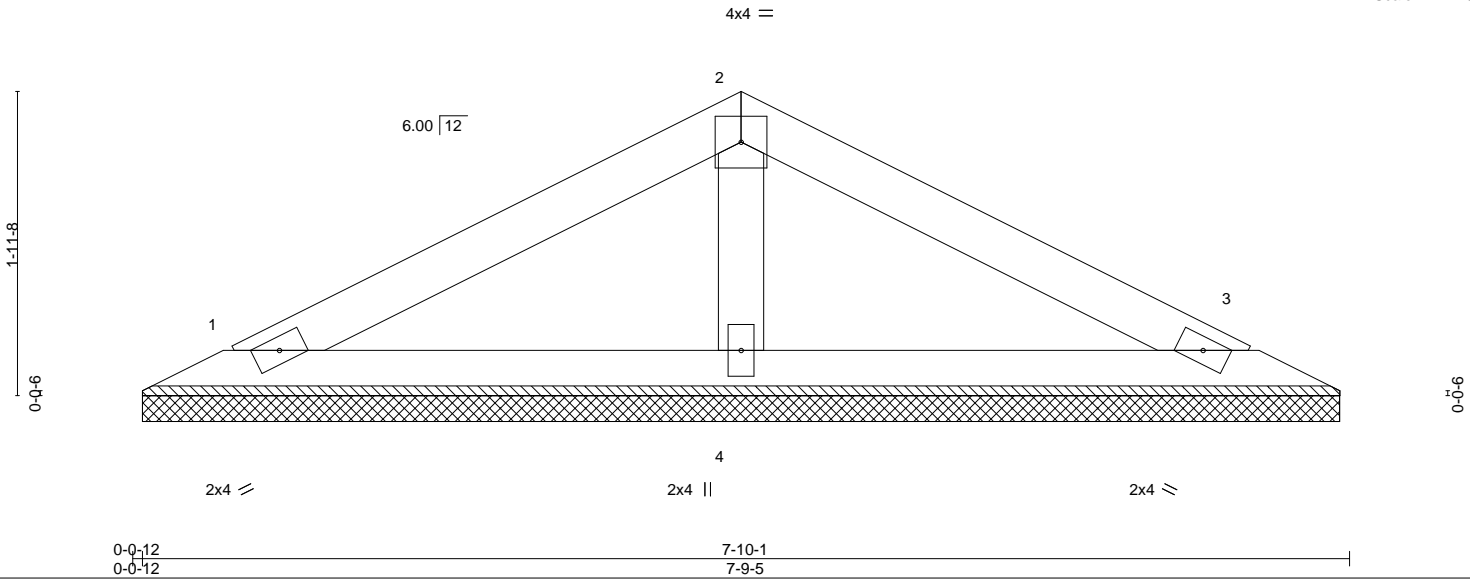
Job	Truss	Truss Type	Qty	Ply	Weaver/Lot 2 Atkins Farm Estates/JoCo	E15647905
J0421-2506	VP3	VALLEY	1	1	Job Reference (optional)	

Comtech, Inc., Fayetteville, NC - 28314,

8.330 s Oct 7 2020 MiTek Industries, Inc. Thu Apr 22 10:29:58 2021 Page 1  
 ID:Sdzs0uuuUIT3B?9OD0R?ZKyk2HC-xUKZMcFhSC8fPLCZjMXECYwJSps8JtmXTd73QYzOBg7



Scale = 1:14.8



<b>LOADING</b> (psf)	<b>SPACING-</b>	<b>CSI.</b>	<b>DEFL.</b>	<b>PLATES</b>	<b>GRIP</b>
TCLL 20.0	2-0-0	TC 0.14	in (loc) l/defl L/d	MT20	244/190
TCDL 10.0	Plate Grip DOL 1.15	BC 0.08	Vert(LL) n/a - n/a 999		
BCLL 0.0 *	Lumber DOL 1.15	WB 0.02	Vert(CT) n/a - n/a 999		
BCDL 10.0	Rep Stress Incr YES	Matrix-P	Horz(CT) 0.00 3 n/a n/a		
	Code IRC2015/TPI2014			Weight: 24 lb	FT = 20%

**LUMBER-**

TOP CHORD 2x4 SP No.1  
 BOT CHORD 2x4 SP No.1  
 OTHERS 2x4 SP No.2

**BRACING-**

TOP CHORD Structural wood sheathing directly applied or 6-0-0 oc purlins.  
 BOT CHORD Rigid ceiling directly applied or 10-0-0 oc bracing.

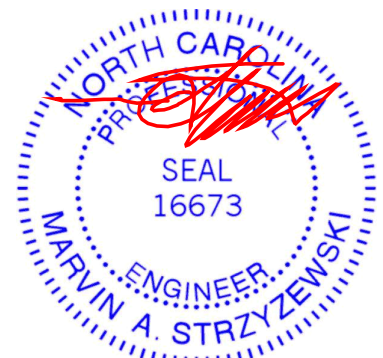
**REACTIONS.**

(size) 1=7-8-9, 3=7-8-9, 4=7-8-9  
 Max Horz 1=-21(LC 8)  
 Max Uplift 1=-21(LC 12), 3=-25(LC 13)  
 Max Grav 1=133(LC 1), 3=133(LC 1), 4=256(LC 1)

**FORCES.** (lb) - Max. Comp./Max. Ten. - All forces 250 (lb) or less except when shown.

**NOTES-**

- Unbalanced roof live loads have been considered for this design.
- Wind: ASCE 7-10; Vult=130mph (3-second gust) Vasd=103mph; TCDL=6.0psf; BCDL=6.0psf; h=15ft; Cat. II; Exp C; Enclosed; MWFRS (envelope) and C-C Exterior(2) zone; C-C for members and forces & MWFRS for reactions shown; Lumber DOL=1.60 plate grip DOL=1.60
- This truss has been designed for a 10.0 psf bottom chord live load nonconcurrent with any other live loads.
- \* This truss has been designed for a live load of 20.0psf on the bottom chord in all areas where a rectangle 3-6-0 tall by 2-0-0 wide will fit between the bottom chord and any other members.
- Provide mechanical connection (by others) of truss to bearing plate capable of withstanding 100 lb uplift at joint(s) 1, 3.
- Non Standard bearing condition. Review required.



April 22, 2021

**WARNING - Verify design parameters and READ NOTES ON THIS AND INCLUDED MITEK REFERENCE PAGE MII-7473 rev. 5/19/2020 BEFORE USE.**

Design valid for use only with MiTek® connectors. This design is based only upon parameters shown, and is for an individual building component, not a truss system. Before use, the building designer must verify the applicability of design parameters and properly incorporate this design into the overall building design. Bracing indicated is to prevent buckling of individual truss web and/or chord members only. Additional temporary and permanent bracing is always required for stability and to prevent collapse with possible personal injury and property damage. For general guidance regarding the fabrication, storage, delivery, erection and bracing of trusses and truss systems, see

**ANSI/TPI1 Quality Criteria, DSB-89 and BCSI Building Component**

**Safety Information** available from Truss Plate Institute, 2670 Crain Highway, Suite 203 Waldorf, MD 20601

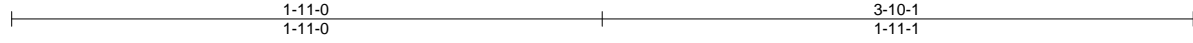


818 Soundside Road  
 Edenton, NC 27932

Job	Truss	Truss Type	Qty	Ply	Weaver/Lot 2 Atkins Farm Estates/JoCo	E15647906
J0421-2506	VP4	VALLEY	1	1	Job Reference (optional)	

Comtech, Inc., Fayetteville, NC - 28314,

8.330 s Oct 7 2020 MiTek Industries, Inc. Thu Apr 22 10:30:00 2021 Page 1  
 ID:Sdzs0uuuUIT3B?9OD0R?ZKyk2HC-usSKnIGxzpONefMyqnaiHz?hpcYznNdpxxc9VRzOBg5



Scale = 1:7.5

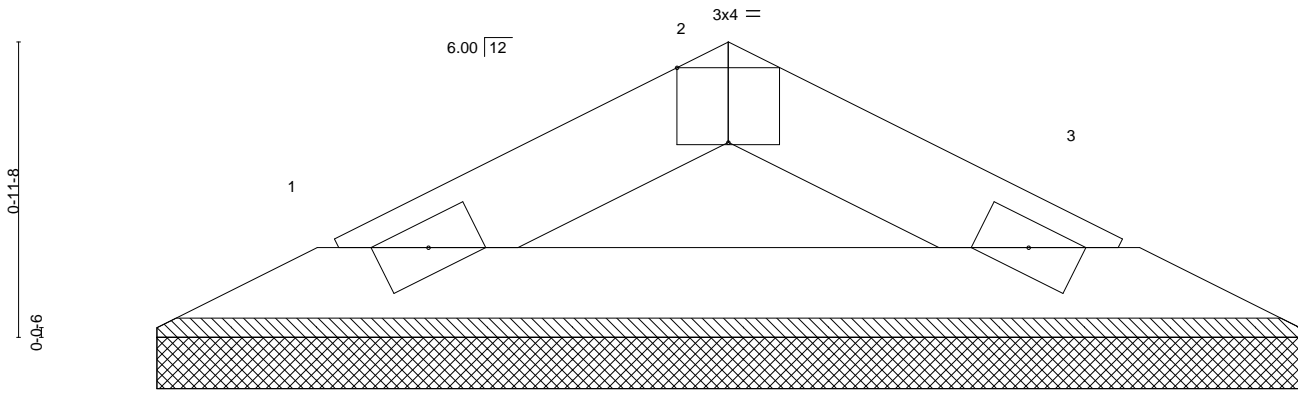


Plate Offsets (X,Y)--	[2:0-2:0,Edge]		
0-0-12	0-0-12	3-10-1	3-9-5

LOADING (psf)	SPACING-	2-0-0	CSI.	DEFL.	in (loc)	l/defl	L/d	PLATES	GRIP
TCLL 20.0	Plate Grip DOL	1.15	TC 0.03	Vert(LL)	n/a	-	n/a	MT20	244/190
TCDL 10.0	Lumber DOL	1.15	BC 0.06	Vert(CT)	n/a	-	n/a		
BCLL 0.0 *	Rep Stress Incr	YES	WB 0.00	Horz(CT)	0.00	3	n/a		
BCDL 10.0	Code	IRC2015/TPI2014	Matrix-P					Weight: 10 lb	FT = 20%

**LUMBER-**

TOP CHORD 2x4 SP No.1  
 BOT CHORD 2x4 SP No.1

**BRACING-**

TOP CHORD Structural wood sheathing directly applied or 3-10-1 oc purlins.  
 BOT CHORD Rigid ceiling directly applied or 10-0-0 oc bracing.

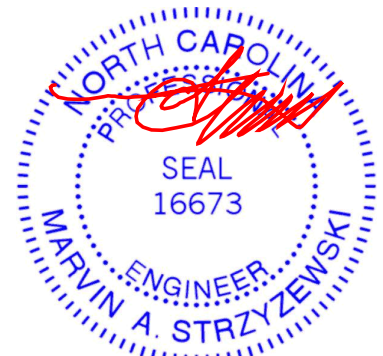
**REACTIONS.**

(size) 1=3-8-9, 3=3-8-9  
 Max Horz 1=8(LC 9)  
 Max Uplift 1=6(LC 12), 3=6(LC 13)  
 Max Grav 1=101(LC 1), 3=101(LC 1)

**FORCES.** (lb) - Max. Comp./Max. Ten. - All forces 250 (lb) or less except when shown.

**NOTES-**

- Unbalanced roof live loads have been considered for this design.
- Wind: ASCE 7-10; Vult=130mph (3-second gust) Vasd=103mph; TCDL=6.0psf; BCDL=6.0psf; h=15ft; Cat. II; Exp C; Enclosed; MWFRS (envelope) and C-C Exterior(2) zone; C-C for members and forces & MWFRS for reactions shown; Lumber DOL=1.60 plate grip DOL=1.60
- This truss has been designed for a 10.0 psf bottom chord live load nonconcurrent with any other live loads.
- \* This truss has been designed for a live load of 20.0psf on the bottom chord in all areas where a rectangle 3-6-0 tall by 2-0-0 wide will fit between the bottom chord and any other members.
- Provide mechanical connection (by others) of truss to bearing plate capable of withstanding 100 lb uplift at joint(s) 1, 3.
- Non Standard bearing condition. Review required.



April 22, 2021

**WARNING - Verify design parameters and READ NOTES ON THIS AND INCLUDED MITEK REFERENCE PAGE MII-7473 rev. 5/19/2020 BEFORE USE.**

Design valid for use only with MiTek® connectors. This design is based only upon parameters shown, and is for an individual building component, not a truss system. Before use, the building designer must verify the applicability of design parameters and properly incorporate this design into the overall building design. Bracing indicated is to prevent buckling of individual truss web and/or chord members only. Additional temporary and permanent bracing is always required for stability and to prevent collapse with possible personal injury and property damage. For general guidance regarding the fabrication, storage, delivery, erection and bracing of trusses and truss systems, see

**ANSI/TPI1 Quality Criteria, DSB-89 and BCSI Building Component**

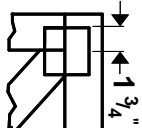
**Safety Information** available from Truss Plate Institute, 2670 Crain Highway, Suite 203 Waldorf, MD 20601



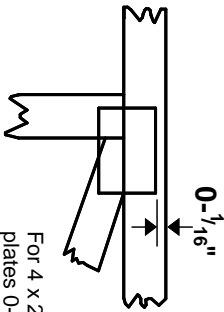
818 Soundside Road  
 Edenton, NC 27932

# Symbols

## PLATE LOCATION AND ORIENTATION



Center plate on joint unless x, y offsets are indicated. Dimensions are in ft-in-sixteenths. Apply plates to both sides of truss and fully embed teeth.



For 4 x 2 orientation, locate plates 0- 1/16" from outside edge of truss.



This symbol indicates the required direction of slots in connector plates.

\* Plate location details available in **MITek 20/20 software** or upon request.

## PLATE SIZE

4 X 4

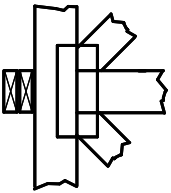
The first dimension is the plate width measured perpendicular to slots. Second dimension is the length parallel to slots.

## LATERAL BRACING LOCATION



Indicated by symbol shown and/or by text in the bracing section of the output. Use T or I bracing if indicated.

## BEARING



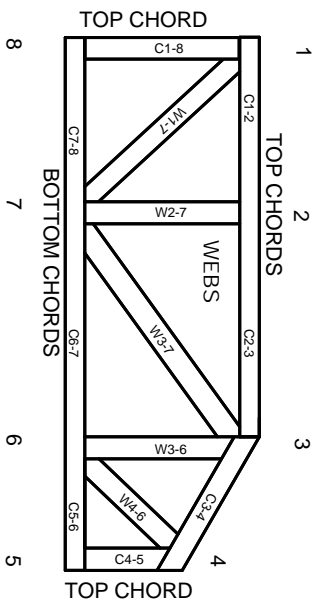
Indicates location where bearings (supports) occur. Icons vary but reaction section indicates joint number where bearings occur. Min size shown is for crushing only.

### Industry Standards:

ANSI/TFP 1: National Design Specification for Metal Plate Connected Wood Truss Construction.  
DSB-89: Design Standard for Bracing, Building Component Safety Information, Guide to Good Practice for Handling, Installing & Bracing of Metal Plate Connected Wood Trusses.

# Numbering System

6-4-8  
dimensions shown in ft-in-sixteenths  
(Drawings not to scale)



**JOINTS ARE GENERALLY NUMBERED/LETTERED CLOCKWISE AROUND THE TRUSS STARTING AT THE JOINT FARTHEST TO THE LEFT.**

**CHORDS AND WEBS ARE IDENTIFIED BY END JOINT NUMBERS/LETTERS.**

## PRODUCT CODE APPROVALS

ICC-ES Reports:

ESR-1311, ESR-1352, ESR1988  
ER-3907, ESR-2362, ESR-1397, ESR-3282

Trusses are designed for wind loads in the plane of the truss unless otherwise shown.

Lumber design values are in accordance with ANSI/TFP 1 section 6.3 These truss designs rely on lumber values established by others.

© 2012 MITteK® All Rights Reserved



MITek Engineering Reference Sheet: Mill-7473 rev. 5/19/2020



# General Safety Notes

## Failure to Follow Could Cause Property Damage or Personal Injury

1. Additional stability bracing for truss system, e.g. diagonal or X-bracing, is always required. See BCSI.
2. Truss bracing must be designed by an engineer. For wide truss spacing, individual lateral braces themselves may require bracing, or alternative Tor I bracing should be considered.
3. Never exceed the design loading shown and never stack materials on inadequately braced trusses.
4. Provide copies of this truss design to the building designer, erection supervisor, property owner and all other interested parties.
5. Cut members to bear tightly against each other.
6. Place plates on each face of truss at each joint and embed fully. Knots and wane at joint locations are regulated by ANSI/TFP 1.
7. Design assumes trusses will be suitably protected from the environment in accord with ANSI/TFP 1.
8. Unless otherwise noted, moisture content of lumber shall not exceed 19% at time of fabrication.
9. Unless expressly noted, this design is not applicable for use with fire retardant, preservative treated, or green lumber.
10. Camber is a non-structural consideration and is the responsibility of truss fabricator. General practice is to camber for dead load deflection.
11. Plate type, size, orientation and location dimensions indicated are minimum plating requirements.
12. Lumber used shall be of the species and size, and in all respects, equal to or better than that specified.
13. Top chords must be sheathed or purlins provided at spacing indicated on design.
14. Bottom chords require lateral bracing at 10 ft. spacing, or less, if no ceiling is installed, unless otherwise noted.
15. Connections not shown are the responsibility of others.
16. Do not cut or alter truss member or plate without prior approval of an engineer.
17. Install and load vertically unless indicated otherwise.
18. Use of green or treated lumber may pose unacceptable environmental, health or performance risks. Consult with project engineer before use.
19. Review all portions of this design (front, back, words and pictures) before use. Rewriting pictures alone is not sufficient.
20. Design assumes manufacture in accordance with ANSI/TFP 1 Quality Criteria.
21. The design does not take into account any dynamic or other loads other than those expressly stated.