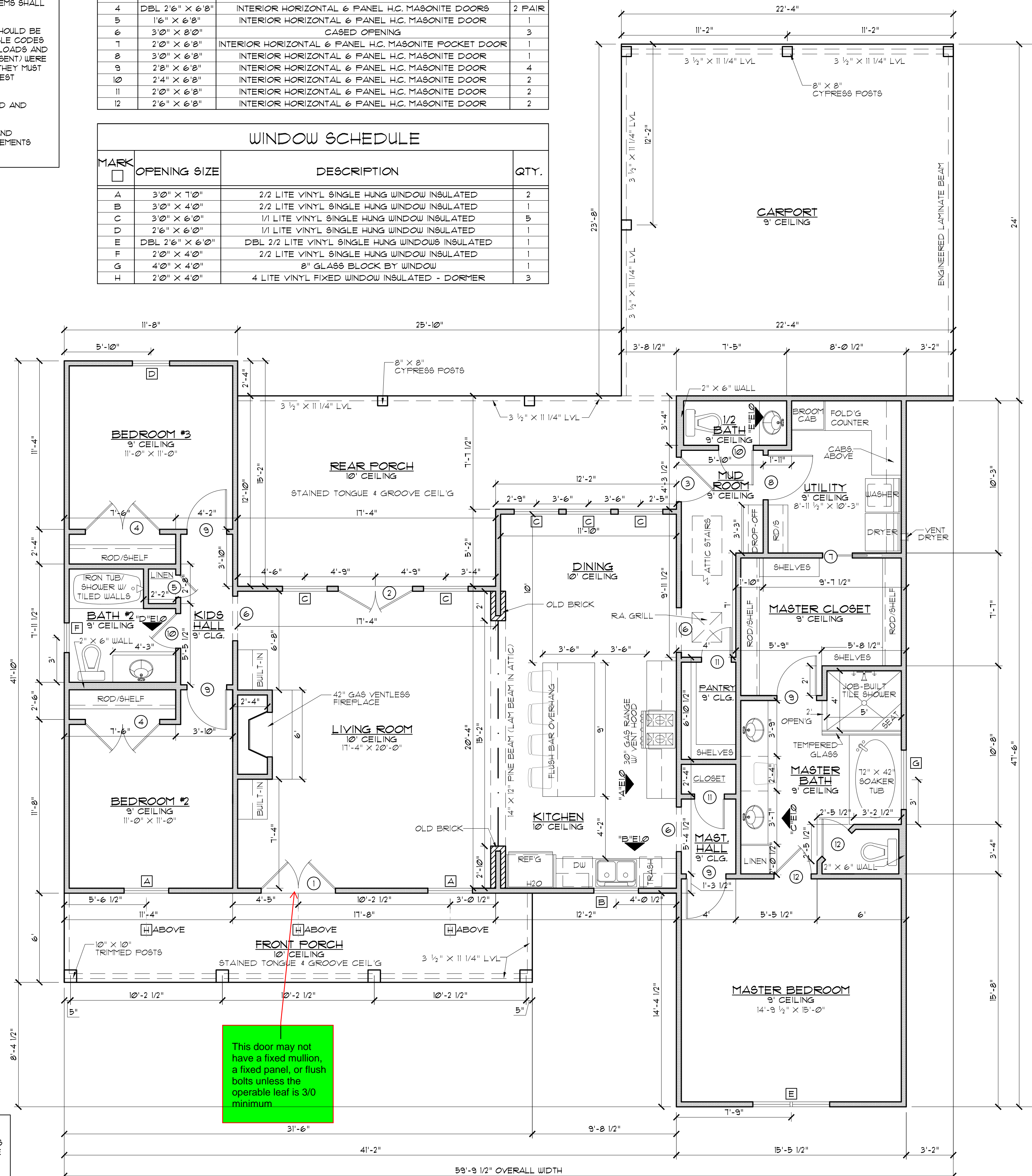


**CODE DISCLAIMER:**

- THESE PLANS WERE DESIGNED TO MEET IRC 2015 AT THE TIME OF THEIR CREATION AND MORE SPECIFICALLY THE MINIMAL LOCAL CODES OF THE SOUTH LOUISIANA AREA. IT IS HIGHLY RECOMMENDED THAT THESE PLANS BE REVIEWED BY A LOCAL STRUCTURAL ENGINEER PRIOR TO CONSTRUCTION.
- BEAMS AND FLOOR JOISTS ARE NOT SIZED DUE TO THE MANY GEOGRAPHIC LOCATIONS THESE PLANS ARE SOLD. THESE ITEMS SHALL BE SIZED BY A LOCAL ENGINEER OR MANUFACTURER.
- ALL CEILING & FLOOR JOISTS (IF CONVENTIONAL FRAMING) SHOULD BE SIZED USING THE LATEST VERSION OF THE IRC OR APPLICABLE CODES AT SITE TO MEET THE LOCAL REQUIREMENTS SUCH AS SNOW LOADS AND OTHER FACTORS. THE CEILING JOIST SIZES LABELED (IF PRESENT) WERE SIZED USING THE 2015 IRC AT THE TIME OF THEIR CREATION. THEY MUST BE VERIFIED AND MODIFIED AS REQUIRED TO MEET THE LATEST EDITION OF THE (IRC) INTERNATIONAL RESIDENTIAL CODE.
- ALL FOUNDATION AND FOOTING DETAILS SHALL BE REVIEWED AND APPROVED BY A LOCAL ENGINEER.
- CONTRACTOR SHALL PROVIDE ALL HIGH WIND STRAPPING AND ANCHOR BOLTS AS REQUIRED BY THE LOCAL CODE REQUIREMENTS AND THE LATEST VERSION OF THE IRC.

MARK	SIZE	DESCRIPTION	QTY.
1	DBL 2'6" X 8'0"	EXTERIOR 4 LITE 3/4 FRENCH SOLID WOOD DOORS	1 PAIR
2	DBL 2'6" X 8'0"	EXTERIOR 1 LITE FULL FRENCH WOOD DOORS	1 PAIR
3	3'0" X 6'8"	EXTERIOR 4 LITE 1/2 FRENCH METAL DOOR	1
4	DBL 2'6" X 6'8"	INTERIOR HORIZONTAL 6 PANEL H.C. MASONITE DOORS	2 PAIR
5	1'6" X 6'8"	INTERIOR HORIZONTAL 6 PANEL H.C. MASONITE DOOR	1
6	3'0" X 8'0"	CASED OPENING	3
7	2'0" X 6'8"	INTERIOR HORIZONTAL 6 PANEL H.C. MASONITE POCKET DOOR	1
8	3'0" X 6'8"	INTERIOR HORIZONTAL 6 PANEL H.C. MASONITE DOOR	1
9	2'0" X 6'8"	INTERIOR HORIZONTAL 6 PANEL H.C. MASONITE DOOR	4
10	2'4" X 6'8"	INTERIOR HORIZONTAL 6 PANEL H.C. MASONITE DOOR	2
11	2'0" X 6'8"	INTERIOR HORIZONTAL 6 PANEL H.C. MASONITE DOOR	2
12	2'6" X 6'8"	INTERIOR HORIZONTAL 6 PANEL H.C. MASONITE DOOR	2

MARK	OPENING SIZE	DESCRIPTION	QTY.
A	3'0" X 7'0"	2/2 LITE VINYL SINGLE HUNG WINDOW INSULATED	2
B	3'0" X 4'0"	2/2 LITE VINYL SINGLE HUNG WINDOW INSULATED	1
C	3'0" X 6'0"	1/1 LITE VINYL SINGLE HUNG WINDOW INSULATED	5
D	3'0" X 6'0"	1/1 LITE VINYL SINGLE HUNG WINDOW INSULATED	1
E	DBL 2'6" X 6'0"	DBL 2/2 LITE VINYL SINGLE HUNG WINDOWS INSULATED	1
F	2'0" X 4'0"	2/2 LITE VINYL SINGLE HUNG WINDOW INSULATED	1
G	4'0" X 4'0"	8" GLASS BLOCK BY WINDOW	1
H	2'0" X 4'0"	4 LITE VINYL FIXED WINDOW INSULATED - DORMER	3



This door may not have a fixed mullion, a fixed panel, or flush bolts unless the operable leaf is 3/0 minimum

**FLOOR PLAN**  
SCALE: 1/4" = 1'-0"

**GENERAL NOTES:**

- ALL KITCHEN AND UTILITY COUNTERTOPS ARE SHOWN AS 2'-0" WIDE UNLESS STATED OTHERWISE.
- ALL BATHROOM LAVATORY COUNTERTOPS SHOWN AS 1'-10" WIDE.
- ALL EXTERIOR OVERALL DIMENSIONS ARE FROM EDGE OF FOUNDATION.
- ALL INTERIOR DIMENSIONS ARE FROM STUD FACE TO STUD FACE.
- ALL INTERIOR WALL THICKNESS SHOWN AS 4" UNLESS NOTED OTHERWISE.
- THE CONTRACTOR SHALL VERIFY ALL DIMENSIONS BEFORE COMMENCING WORK.
- DRYER VENT MUST HAVE MAX LENGTH 25'
- PURCHASER OF THIS PLAN ASSUMES LIABILITY FOR ANY MODIFICATIONS MADE TO THE LAYOUT OF THIS PLAN.
- ALL WOOD FRAMING SHALL BE NO. 2 GRADE - SOUTHERN PINE LUMBER. ALL CEILING JOISTS SPANS ARE BASED ON TABLE R302.4(2) OF THE IRC, 2015 AND ARE DESIGNED FOR ATTICS WITH LIMITED STORAGE. (REFER TO FOUNDATION SHEET FOR SPANS)
- RE SEC. 308 GLAZING IN HAZARDOUS LOCATIONS 4 TEMPERED GLASS FOR WINDOWS THAT ARE WITHIN 24" OF THE DOOR IN THE CLOSED POSITION, PROVIDING THE WINDOW IS LESS THAN 60" ABOVE THE FLOOR. (R308 IRC, 2015)
- ATTIC SPACES MUST PROVIDE 1 SQ. FT. VENTILATION PER 150 SQ. FT. OF AREA UNLESS CONDITIONED SPACE. (ATTICS R306)
- VENT HOOD IN KITCHEN MUST VENT TO THE OUTSIDE. MICROWAVE HOODS MUST VENT TO THE OUTSIDE WHERE APPLICABLE.

**WIND ZONE NOTES**

- VERIFY WINDOW CODE REQUIREMENTS AT EACH BUILDING LOCATION, AND INSTALL WINDOWS AS PER CODE REQUIREMENTS WILL VARY FROM DOUBLE INSULATED VINYL TO IMPACT RESISTANT DOUBLE INSULATED VINYL WINDOWS.
- ALL WINDOWS SHALL COMPLY WITH THE GOVERNING IRC/BC. WINDOWS SHALL BE SELECTED BASED UPON THE COMPONENT AND CLADDING DESIGN PRESSURES.
- CONTRACTOR RESPONSIBLE FOR ANCHORAGE OF BOTTOM PLATE AND WALL STUDS TO FOUNDATION IN COMPLIANCE WITH THE GOVERNING EDITION OF IRC/IBC 1603.

**HEADER SPANS FOR LOAD BEARING WALLS:**

- SINGLE STORY:
- 2 PLY 2"x6" 4'-2" MAX
  - 2 PLY 2"x8" 5'-4" MAX
  - 2 PLY 2"x10" 7'-6" MAX
- 2 STORY:
- 2 PLY 2"x6" 3'X1" MAX
  - 2 PLY 2"x8" 4'X6" MAX
  - 2 PLY 2"x10" 6'X2" MAX
- 2 PLY 2X6 HEADERS FOR ALL NON-LOAD BEARING WALLS
  - OSB BETWEEN ALL HEADER PLIES
  - NO BOXED HEADERS

**NOTE:**

ROOF OVERHANG ON NEW CONSTRUCTION TYPICAL 12" FROM FACE OF STUD UNLESS OTHERWISE NOTED.

GENERAL CONTRACTOR TO PROVIDE ADEQUATE ROOF VENTILATION BUILDING SYSTEMS PER IRC CODE (SECTION R306). SYSTEMS TO BE USED TO MEET ROOF VENTILATION REQUIREMENTS ARE AS FOLLOWS: CONTINUOUS RIDGE VENTS, POWER VENTS, BOX VENTS, AND GABLE/DORMER VENTS WHEN APPROVED BY OWNER.

SOFFIT VENTS TO BE USED ONLY IN ACCORDANCE W/ IRC CODE (SECTION R302 AND TABLE R302.1) TO ACCOMMODATE APPROPRIATE FIRE SEPARATION DISTANCES.

**GENERAL MATERIALS:**

- EXTERIOR WALLS:
  - HARDBOARD SIDING AS SPECIFIED
  - "TYVEK" BUILDING WRAP
  - 1/2" O.S.B. SHEATHING
  - R-13 BATT INSULATION
  - 2X4 STUDS @ 1'-4" O.C.
  - 1/2" GYPSUM BOARD INTERIOR
- INTERIOR WALLS:
  - 2X4 STUDS @ 1'-4" O.C.
  - 1/2" GYPSUM BOARD ON BOTH SIDES
- CEILING:
  - 2X JOISTS @ 1'-4" O.C.
  - R38 INSULATION
  - 1/2" GYPSUM BOARD
- ROOF SYSTEM:
  - 30 YEAR FIBERGLASS SHINGLES
  - 5/8" O.S.B. OR CDX PLYWOOD
  - 15FELT
  - 2X6 RAFTERS @ 2'0" O.C.

NOTE: ALL ROOFING PRODUCTS, MATERIALS AND INSTALLATION SHALL COMPLY WITH THE REQUIREMENTS UNLESS CHANGED BY GENERAL CONTRACTOR AT OWN DISCRETION.

**PROTECTION AGAINST TERMITES:**

- SUBTERRANEAN TERMITE CONTROL. IN AREAS FAVORABLE TO TERMITE DAMAGE METHODS OF PROTECTION SHALL BE BY CHEMICAL SOIL TREATMENT, PRESSURE-TREATED WOOD, NATURALLY TERMITE RESISTANT WOOD OR PHYSICAL BARRIERS (SUCH AS METAL OR PLASTIC TERMITE SHIELDS), OR ANY COMBINATION OF THESE METHODS.
- CHEMICAL SOIL TREATMENT. THE CONCENTRATION, RATE OF APPLICATION AND TREATMENT METHOD OF THE TERMITICIDE LABEL.
- PRESSURE-TREATED AND NATURALLY TERMITE RESISTANT WOOD. HEARTWOOD OF REDWOOD AND EASTERN RED CEDAR SHALL BE CONSIDERED TERMITE RESISTANT. PRESSURE-TREATED WOOD AND NATURALLY TERMITE RESISTANT WOOD SHALL NOT BE USED AS A PHYSICAL BARRIER UNLESS A BARRIER CAN BE INSPECTED FOR ANY TERMITE SHELTER TUBES AROUND THE INSIDE AND OUTSIDE EDGES AND JOINTS OF A BARRIER.
- FIELD TREATMENT. FIELD CUT ENDS, NOTCHES, AND DRILLED HOLES OF PRESSURE-TREATED WOOD SHALL BE RETREATED IN THE FIELD ACCORDING TO ALUPA M4.

SQUARE FOOTAGE	
LIVING	1830
FRONT PORCH	189
REAR PORCH	315
CARPOR	530
TOTAL SQ. FT.	2864

NOTICE TO CONTRACTOR  
All construction must comply with current IRC Building Codes and is subject to field inspection and verification.

APPROVED  
Unlimited liability release  
Permit holder responsible for full compliance with the code.

07/19/2021

**IMPORTANT NOTE:**  
ALL EGRESS OR RESCUE WINDOWS FROM SLEEPING ROOMS MUST HAVE A MINIMUM NET CLEAR OPENING OF 5.7 SQUARE FEET. GRADE FLOOR WINDOWS MAY HAVE A MINIMUM NET CLEAR OPENING OF 5 SQUARE FEET. THE MINIMUM NET CLEAR OPENING HEIGHT SHALL BE 24". THE MINIMUM NET CLEAR OPENING WIDTH SHALL BE 20". MAXIMUM SILL HEIGHT - 44" AFF.

MADDEN HOME DESIGN, LLC NOT BEING AN ARCHITECTURAL OR ENGINEERING FIRM. THESE PLANS ARE NOT TO BE USED FOR CONSTRUCTION WITHOUT THE ASSISTANCE OF A LICENSED ARCHITECT OR ENGINEER. EVERY EFFORT HAS BEEN MADE TO INSURE ALL DIMENSIONS ARE CORRECT AND ENVIRONMENTAL REGULATIONS HAVE BEEN MET. IF AN ERROR OR OMISSION DOES OCCUR, IT IS THE SOLE RESPONSIBILITY OF THE CONTRACTOR AND/OR OWNER AT HIS/HER OWN EXPENSE. MADDEN HOME DESIGN, LLC IS NOT PROVIDING SERVICE OR LIABILITY OF THE CONTRACTOR IS RESPONSIBLE FOR VERIFICATION OF DIMENSIONS IN THE FIELD AND SHALL BUILD HOME IN ACCORDANCE WITH THE INTERNATIONAL RESIDENTIAL CODE 2015.

RESIDENCE OF  
**GARY MORRISON**

Project

**MADDEN HOME DESIGN**

8375 Rushing Road  
Denham Springs, Louisiana  
70726  
Phone: (225) 791-2912

**A B D**

Project No.: The Stoney Creek  
DATE: DECEMBER 1, 2020  
DRAWN BY: Steven Madden  
DESIGNED BY: Steven Madden

COPYRIGHT NOTE: © These Plans Are Subject To Federal Copyright Laws And Are To Be Used For The Lot Number And Subdivision Indicated In This Title Block Only. Use On Any Other Site Is Prohibited.

© COPYRIGHT 2020

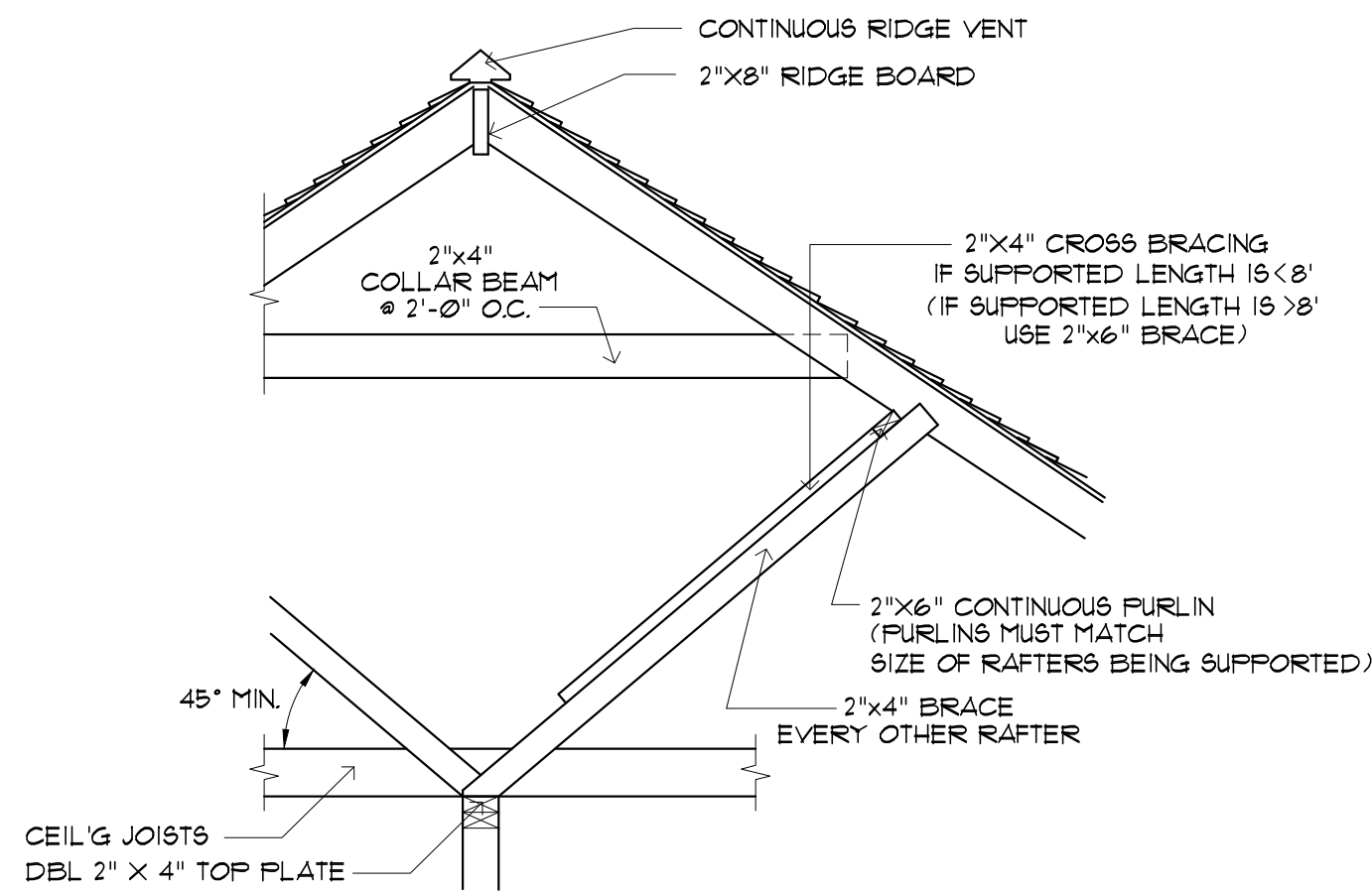
Sheet Title

**FLOOR PLAN**

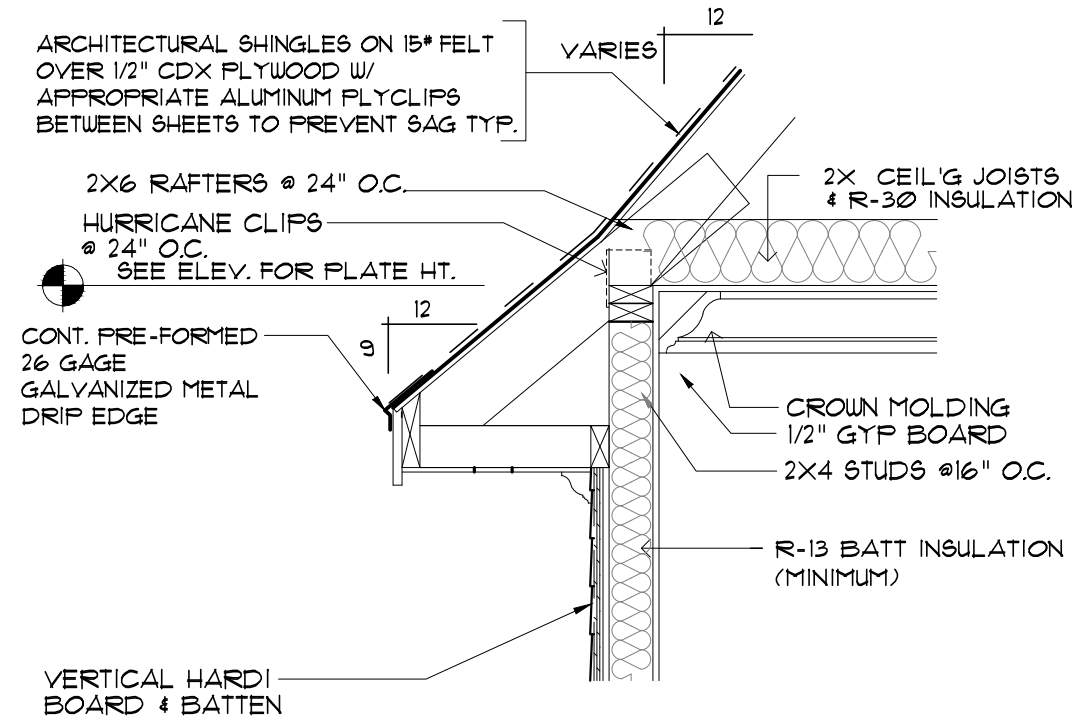
Sheet:

□ Preliminary Dwg.  
□ Bidding Doc.  
□ Construction Doc.

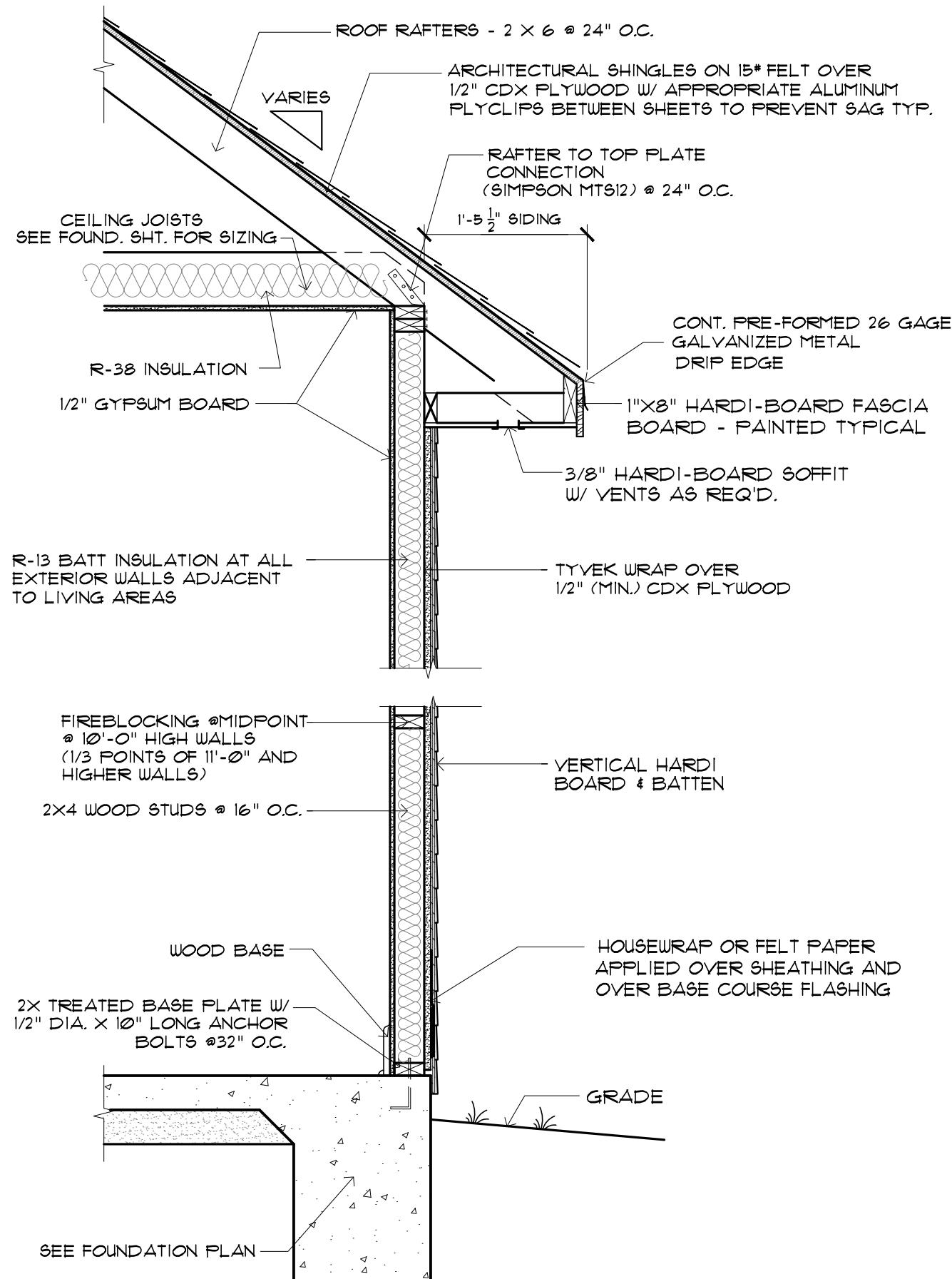
**A1.0**



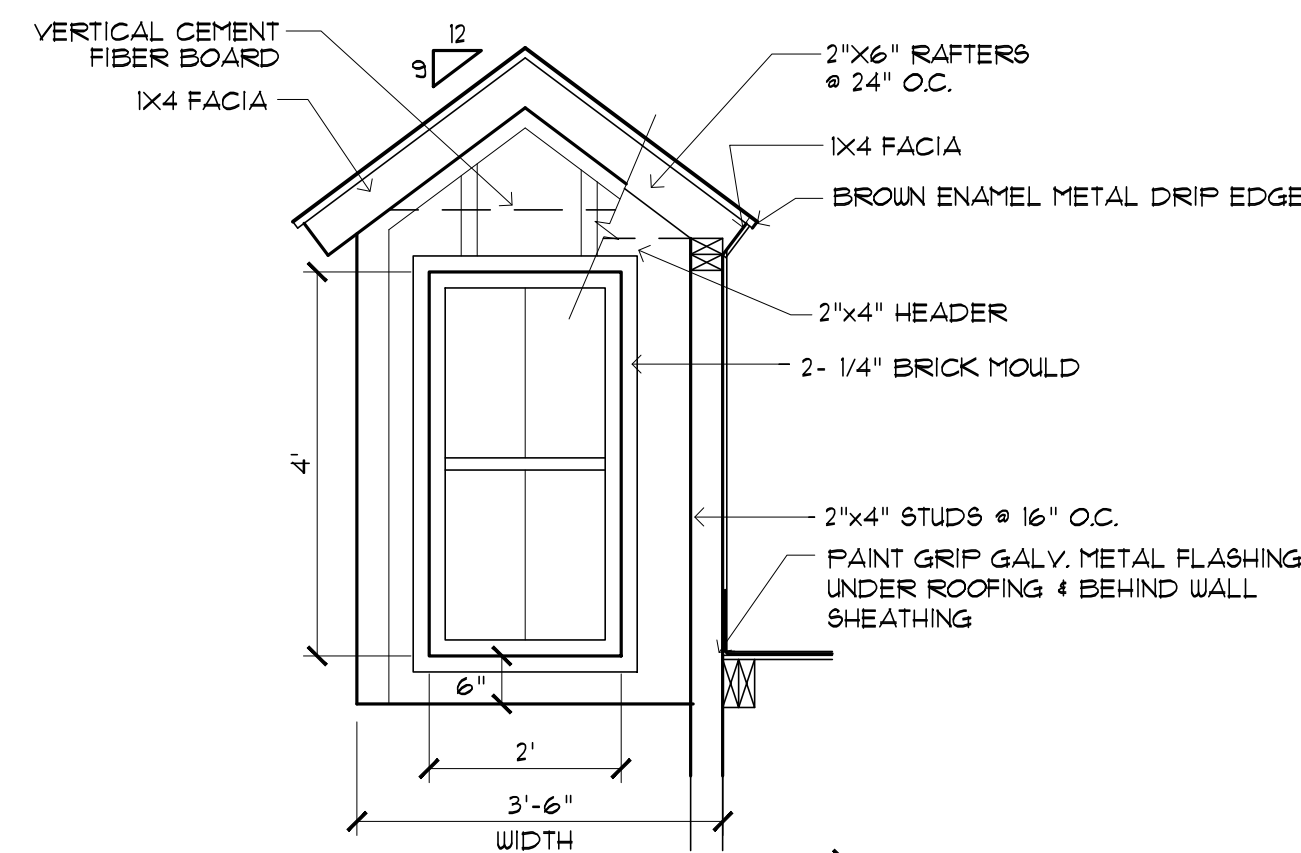
**TYPICAL ROOF BRACING DETAIL**  
SCALE: 1/2" = 1'



**EAVE DETAIL - BELL ROOF**  
SCALE: 3/4" = 1'-0"

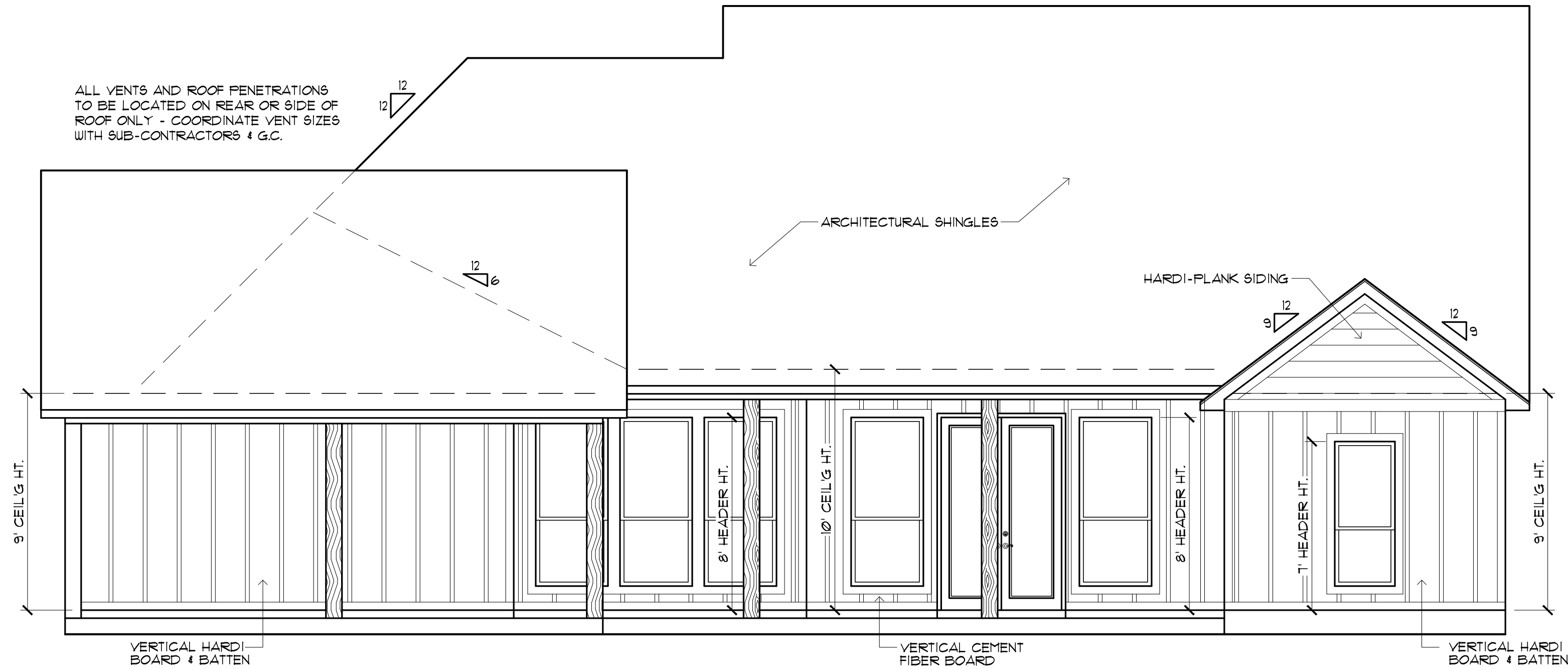


**TYPICAL WALL SECTION - BRICK**  
SCALE: 3/4" = 1'-0"



**DORMER DETAIL**  
SCALE: 1/2" = 1'

ALL VENTS AND ROOF PENETRATIONS TO BE LOCATED ON REAR OR SIDE OF ROOF ONLY - COORDINATE VENT SIZES WITH SUB-CONTRACTORS & G.C.



**REAR ELEVATION**  
SCALE: 1/4" = 1'-0"



**FRONT ELEVATION**  
SCALE: 1/4" = 1'-0"

MADDEN HOME DESIGN, LLC NOT BEING AN ARCHITECTURAL OR ENGINEERING FIRM, DOES NOT SEAL OR TAKE RESPONSIBILITY FOR ANY DESIGN OR CONSTRUCTION. EVERY EFFORT HAS BEEN MADE TO INSURE ALL DIMENSIONS ARE CORRECT AND ENVIRONMENTAL REGULATIONS HAVE BEEN MET. IF AN ERROR OR OMISSION DOES OCCUR, IT IS THE SOLE RESPONSIBILITY OF THE CONTRACTOR AND/OR SUBS. THIS OFFICE HAS NO EXPENSE AND/OR OBLIGATION TO CORRECT OR RE-DESIGN. THE CONTRACTOR IS RESPONSIBLE FOR VERIFICATION OF DIMENSIONS IN THE FIELD AND SHALL BUILD HOME IN ACCORDANCE WITH THE INTERNATIONAL RESIDENTIAL CODE 2015.

RESIDENCE OF  
**GARY MORRISON**

Project

**MADDEN HOME DESIGN**  
8375 Rushing Road  
Denham Springs, Louisiana  
70726  
Phone: (225) 791-2912

**A B D**

Project No.: The Stoney Creek  
DATE: DECEMBER 1, 2020  
DRAWN BY: Steven Madden  
DESIGNED BY: Steven Madden

COPYRIGHT NOTE: © These Plans Are Subject To Federal Copyright Laws And Are To Be Used For The Lot Number And Subdivision Indicated In This Title Block Only. Use On Any Other Site Is Prohibited.

© COPYRIGHT 2020

Sheet Title  
**FRONT & REAR ELEVATIONS**

Sheet:  
□ Preliminary Dwg.  
□ Bidding Doc.  
□ Construction Doc.  
**A2.0**



**NOTE:**  
THIS GENERIC FOUNDATION PLAN IS DESIGNED FOR NON EXPANSIVE SOILS WITH A BEARING CAPACITY OF AT LEAST 2500 PSF. MADDEN HOME DESIGN IS NOT AN ENGINEER AND RECOMMENDS THAT A PROFESSIONAL ENGINEER BE CONSULTED FOR YOUR SPECIFIC LOT AS THE DESIGNER HAS NOT BEEN PROVIDED ANY INFORMATION BY THE CLIENT REGARDING THE BEARING CAPACITY OF THE SOILS FOR THIS LOT AND ASSUMES NO RESPONSIBILITY FOR THE STRUCTURAL PERFORMANCE OF THIS DESIGN.

**CONCRETE NOTES:**

- REFER TO BUILDING PLANS FOR DOOR OPENINGS AND EXACT DIMENSIONS.
- USE CONCRETE BRICK SUPPORTS TO MAINTAIN REINFORCING CLEARANCES. DO NOT USE CMU OR FACE BRICK.
- FOUNDATION DESIGN BASED ON A-4 FILL, DIRT COMPACTED TO 95% DENSITY (ASTM D-1557), FILL PLACED @ 8" MAX. LIFTS.
- ALL CONCRETE SHALL DEVELOP 3000 PSI COMPRESSIVE STRENGTH @ 28 DAYS. PLACE CONCRETE W/ MAXIMUM SLUMP OF 6". PROVIDE SLUMP TEST AND CYLINDERS AT BEGINNING AND MIDPOINT OF POUR.
- GRADE 40 DEFORMED REINFORCING.
- ASTM-105 WUF REINFORCING.
- APPLY A LIQUID MEMBRANE CURING CHEMICAL TO ALL CONCRETE SURFACES IN ACCORDANCE WITH MANUFACTURER'S RECOMMENDATIONS. W/ GRACE PRODUCT OR EQUAL.
- CONTRACTOR SHALL COORDINATE ALL DOOR LOCATIONS AND OMIT NOTCHES ACCORDINGLY.
- 2" CLEARANCE FOR REBAR, SIDES AND BOTTOM.
- MINIMUM SLAB THICKNESS SHALL BE 4" ON HOUSE AND ANY SIDEWALKS INCLUDING DRIVEWAY.
- FINISH GRADE TO SLOPE AWAY FROM THE HOUSE.
- REFER TO ELECTRICAL PLAN FOR IN-SLAB WIRING AND OUTLET REQUIREMENTS.
- CONTRACTOR SHALL EXCAVATE ALL FOOTINGS TO SOLID, UNDISTURBED SOIL.
- SLABS AND FOOTINGS SHALL BE PLACED MONOLITHICALLY IN A CONTINUOUS POUR. CONSTRUCTION JOINTS FOR THE PURPOSE OF POUR INTERRUPTION SHALL NOT BE ALLOWED WITHOUT PRIOR APPROVAL BY THE OWNER.
- ALL DRIVEWAY FOURS SHALL HAVE THE PROPER CONSTRUCTION AND CONTROL JOINTS AT A DISTANCE NO GREATER THAN 15' WITH A JOINT DOWN THE CENTER. RADIUS BENDS SHALL HAVE A CONTROL JOINT AT THE CENTER OF THEM.

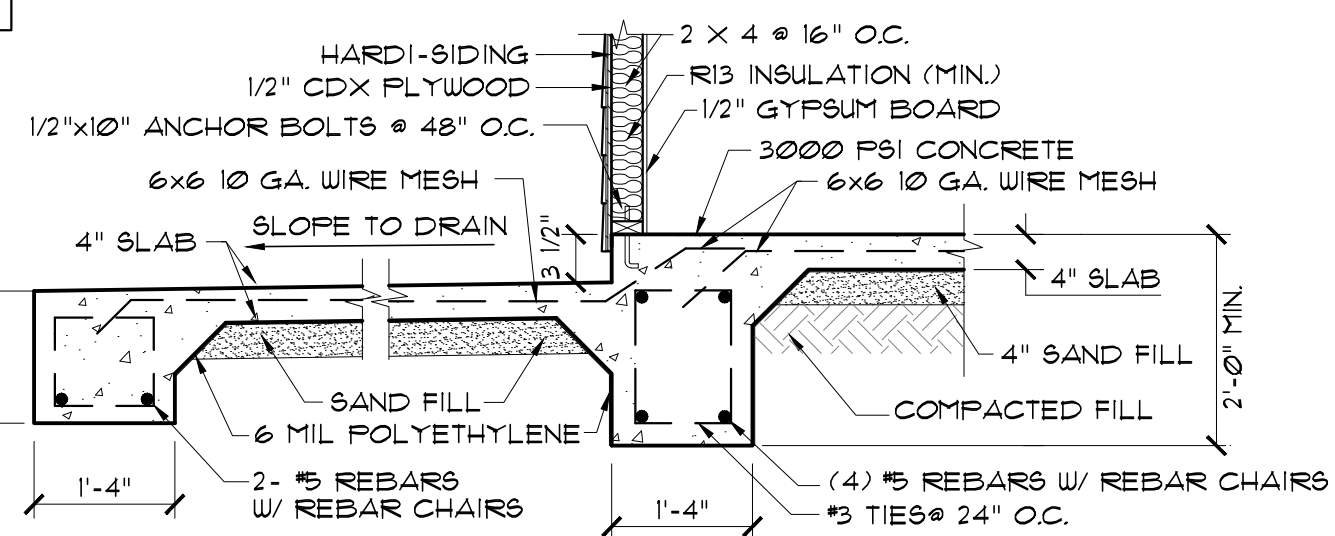
**SITE PREPARATION NOTES:**

- REMOVE TOP SOIL (8" TO 12") AND DELETERIOUS MATERIAL.
- PROOF ROLL SUBBASE WITH A LOADED 18 YARD DUMP TRUCK. REMOVE ALL "PUMPING AREAS."

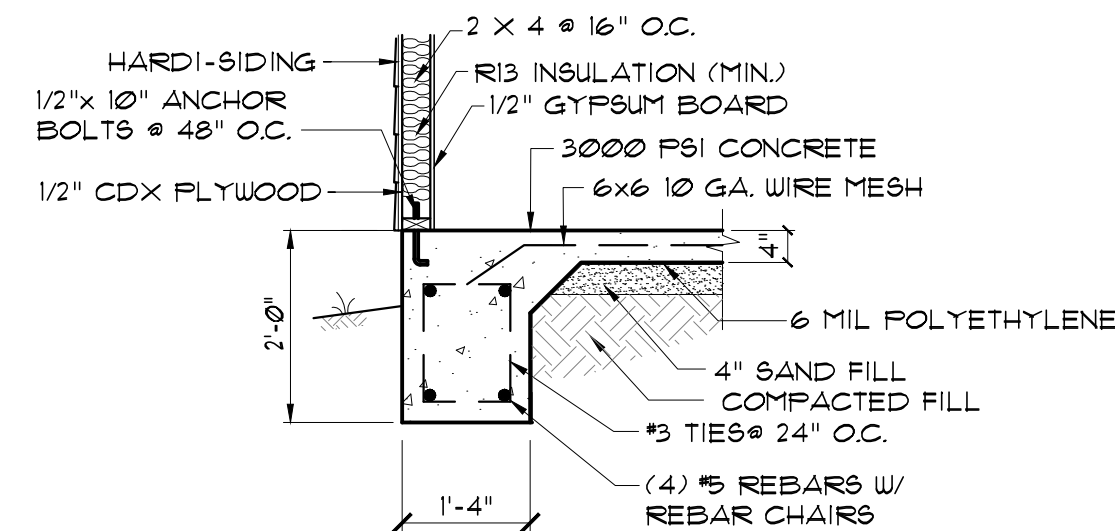
**FOUNDATION AND SITE WORK NOTES:**

- CHECK ELECTRICAL PLAN FOR ANY CONDUIT OR FLOOR RECEPTACLES.
- TERMITE TREAT THE SOIL PRIOR TO POURING CONCRETE AND RETAIN CERTIFICATE FOR OWNER.
- GRADE LOT TO DRAIN AWAY FROM THE FOUNDATION A MINIMUM OF 6 INCHES IN THE FIRST 10 FEET.
- CARPORT AND FRONT PORCH BEAMS ARE NOT SHOWN FOR CLARITY PURPOSES.
- CONTRACTOR SHALL EXCAVATE ALL FOOTINGS TO SOLID, COMPACTED, UNDISTURBED FILL MEETING 90% MODIFIED PROCTOR AS TESTED.
- ALL WELDED WIRE FABRIC SHALL BE 6X6 10/10 WUF.
- POLYETHYLENE VAPOR BARRIER SHALL BE 6 MIL THICKNESS.

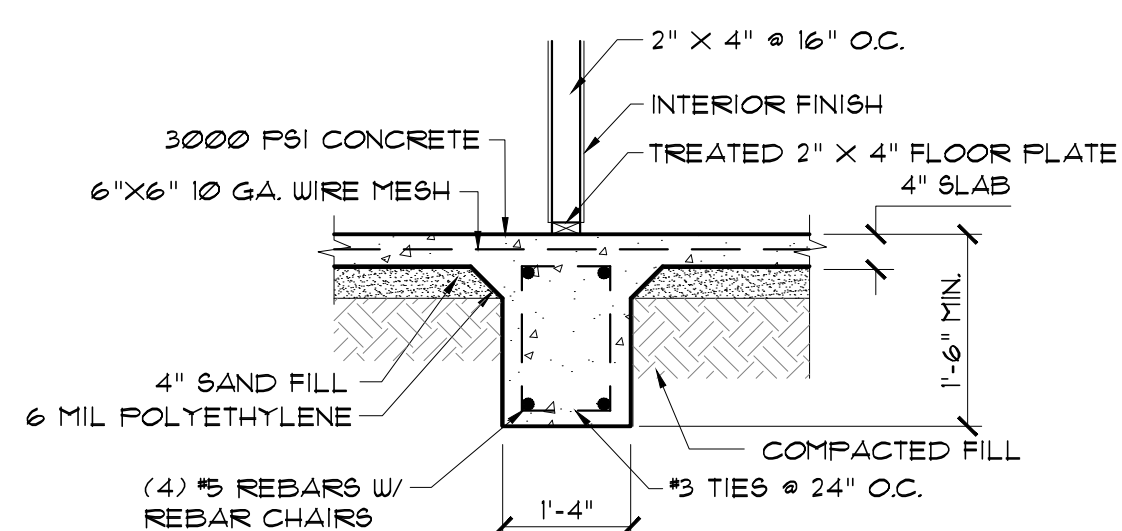
**NOTE:**  
ALL EXTERIOR GRADE BEAMS TO EXTEND BELOW UNDISTURBED SOIL A MINIMUM OF 12".



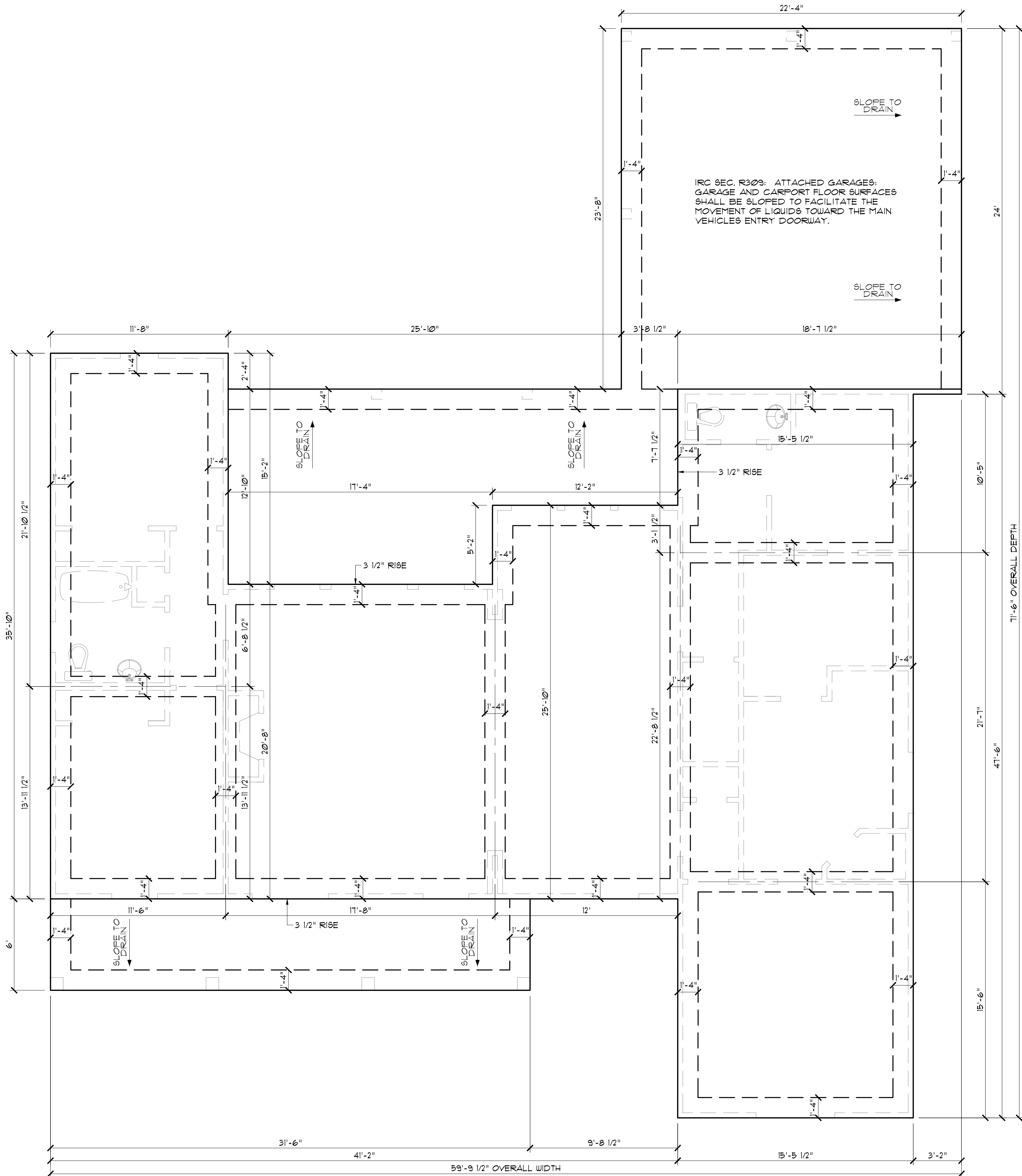
**1 COVERED PORCH FOOTING**  
SCALE: 1/2" = 1'



**2 HARDI EXTERIOR GRADE BEAM**  
SCALE: 1/2" = 1'



**3 INTERIOR GRADE BEAM**  
SCALE: 1/2" = 1'



**FOUNDATION PLAN**  
SCALE: 1/4" = 1'-0"

MADDEN HOME DESIGN, LLC NOT BEING AN ARCHITECTURAL OR ENGINEERING FIRM, CREATES THESE PLANS FOR INFORMATIONAL PURPOSES ONLY. THE DESIGNER HAS NO LIABILITY FOR ANY DAMAGE OR INJURY TO PERSONS OR PROPERTY. EVERY EFFORT HAS BEEN MADE TO INSURE ALL DIMENSIONS ARE CORRECT AND ENVIRONMENTAL REGULATIONS HAVE BEEN MET. IF AN ERROR OR OMISSION DOES OCCUR, IT IS THE SOLE RESPONSIBILITY OF THE CONTRACTOR AND/OR USER. THE CONTRACTOR SHALL BE RESPONSIBLE FOR VERIFYING ALL DIMENSIONS IN THE FIELD AND SHALL BUILD HOME IN ACCORDANCE WITH THE INTERNATIONAL RESIDENTIAL CODE 2015.

RESIDENCE OF  
**GARY MORRISON**

Project

**MADDEN HOME DESIGN**

8375 Rushing Road  
Denham Springs, Louisiana  
70726  
Phone: (225) 791-2912

**A B D**

Project No.: The Stoney Creek

DATE: DECEMBER 1, 2020

DRAWN BY: Steven Madden

DESIGNED BY: Steven Madden

COPYRIGHT NOTE: © These Plans Are Subject To Federal Copyright Laws And Are To Be Used For The Lot Number And Subdivision Indicated In This Title Block Only. Use On Any Other Site Is Prohibited.

© COPYRIGHT 2020

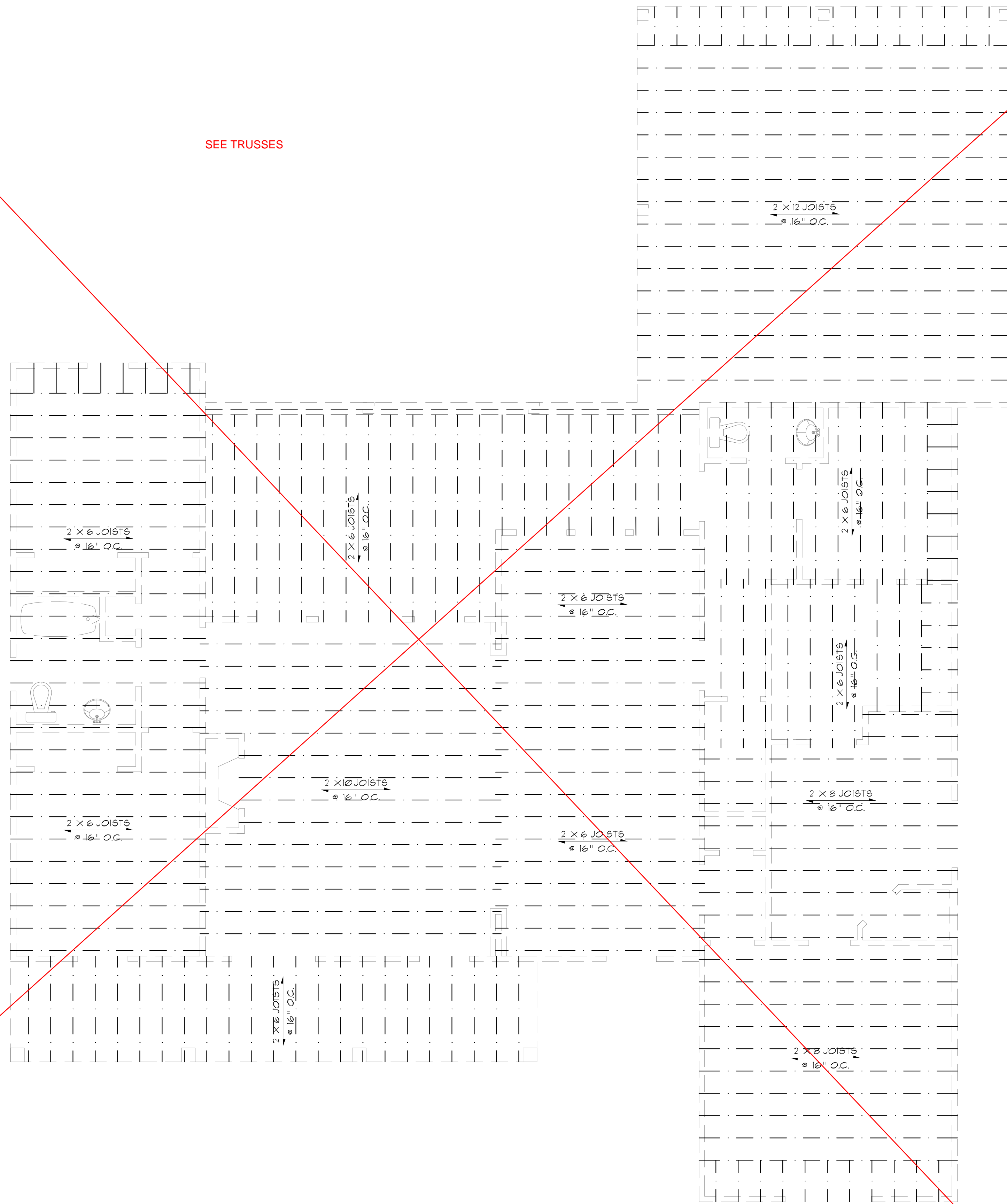
Sheet Title

**FOUNDATION PLAN**

- Preliminary Dwg.
- Bidding Doc.
- Construction Doc.

Sheet:

**A4.0**



**NOTE:**  
 CEILING JOISTS SPANS ARE BASED ON 2015 INTERNATIONAL RESIDENTIAL CODE (I.R.C.) SOUTHERN YELLOW PINE #2 LUMBER SPANS TABLE R502.4(2) (UNHABITABLE ATTICS WITH LIMITED STORAGE)  
 HEADER SIZES SHOULD BE BASED ON I.R.C. 2015 - TABLE R602.1

TABLE R502.4 (2) - CEILING JOIST MAX SPANS -		
2 x 4 @ 16" O.C.	8' - 0"	
2 x 6 @ 16" O.C.	12' - 0"	
2 x 8 @ 16" O.C.	15' - 3"	
2 x 10 @ 16" O.C.	18' - 1"	

**GENERAL FRAMING NOTES:**  
 THE FOLLOWING NOTES ARE SUGGESTED MINIMUM REQUIREMENTS ONLY. DUE TO A VARIANCE OF CODES PER REGION, PLEASE REFER AND COMPLY WITH ALL YOUR LOCAL CODES. CONSULT WITH LOCAL ENGINEERS FOR ALL STRUCTURAL REQUIREMENTS.

1. PROVIDE FURLINS AT MID HEIGHT OF ALL WALLS.
2. ALL JOIST AND RAFTERS SHALL BE ALIGNED OVER STUDS BELOW.
3. ALL HEADERS SHALL BE 2-2X10'S WITH 1" PLYWOOD FLITCH PLATE UNLESS OTHERWISE NOTED.
4. PROVIDE 1X4 CROSS BRACING AT MIDPOINT OF SPAN OR 8'-0" O.C. MAXIMUM IN ALL FLOORS.
5. ALL EXTERIOR CORNERS (INSIDE AND OUTSIDE CORNERS) SHALL BE BRACED WITH 1" CDX PLYWOOD. NAILING SCHEDULE SHALL BE 8D COMMONS AT 4" O.C. AT ALL EDGES AND 8D COMMONS AT 12" O.C. AT ALL INTERMEDIATE STUDS. (OPTION-APPROVED DIAGONAL CORNER BRACES BOTH DIRECTIONS AT ALL CORNERS).
6. ALL COLUMNS OR SOLID FRAMES SHALL EXTEND DOWN THRU ALL LEVELS AND TERMINATE AT THE BOTTOM FLOOR AND BE SUPPORTED BY THICKENED SLAB, GRADE BEAM, OR FOOTING DESIGNED TO CARRY LOAD.
7. PROVIDE DOUBLE 2X6 STRONGBACK AT MIDSPAN FOR CEILING JOISTS WITH SPAN GREATER THAN 10'-0".
8. PROVIDE COLLAR TIES AT UPPER 1/3 OF VERTICAL DISTANCE BETWEEN RIDGE BOARD AND CEILING JOISTS AT 4'-0" O.C. MAXIMUM.
9. HIP, VALLEY RAFTERS, AND RIDGE BOARDS SHALL BE ONE "2X" SIZE LARGER THAN RAFTERS.
10. ROOF DECKING SHALL BE 1/2" CDX PLYWOOD MINIMUM.
11. WHERE PRE ENGINEERED FLOOR AND ROOF TRUSSES ARE USED, TRUSS MANUFACTURER MUST PROVIDE SHOP DRAWINGS WHICH BEAR SEAL OF REGISTERED ENGINEER IN STATE IN WHICH WORK IS TO BE PERFORMED.
12. ALL SOLID FRAMING, COLUMNS, BEAMS, ETC. TO BE DESIGNED BY LOCAL STRUCTURAL ENGINEER AND MEET ALL LOCAL CALLS.
13. ALL FRAMED WALL DIMENSIONS ARE BASED ON 2X4 STUDS UNLESS OTHERWISE NOTED.
14. COLUMNS SHALL BE ADEQUATELY ANCHORED TO SLAB TO PREVENT LATERAL DISPLACEMENT PER IRC R401.3.
15. SITE-ASSEMBLED HEADERS AND GIRDERS TO BE SIZED PER IRC TABLE R502.5(1) AND (2).
16. HEADERS AND GIRDERS WHOSE SPAN EXCEEDS THOSE LISTED IN IRC TABLE R502.5(1) AND (2) ARE TO BE ENGINEERED BEAMS TO BE SIZED BY A QUALIFIED PARTY.
17. WALLS ADJACENT TO GARAGE DOOR OPENING TO BE BRACED TO THE MINIMUM LENGTHS LISTED IN IRC R602.10.3 VIA SHEATHING OR AN ALTERNATIVE METHOD OF RESISTING SHEAR AS DESIGNED BY A QUALIFIED ENGINEER.
18. ROOF AND FLOOR SHEATHING TO COMPLY WITH SPAN CHART R503.2.1 (1)

**JOISTS FRAMING PLAN**  
 SCALE: 1/4" = 1'-0"

MADDEN HOME DESIGN, LLC NOT BEING AN ARCHITECTURAL OR ENGINEERING FIRM, CREATES THESE PLANS FOR INFORMATIONAL PURPOSES ONLY. THE USER ASSUMES ALL LIABILITY. EVERY EFFORT HAS BEEN MADE TO INSURE ALL DIMENSIONS ARE CORRECT AND ENVIRONMENTAL REGULATIONS HAVE BEEN MET. IF AN ERROR OR OMISSION DOES OCCUR, IT IS THE SOLE RESPONSIBILITY OF THE CONTRACTOR AND/OR ARCHITECT AT HIS/HER OWN EXPENSE AND THE ARCHITECT'S RESPONSIBILITY OF THE DRAWING SERVICE. CONTRACTOR IS RESPONSIBLE FOR VERIFICATION OF DIMENSIONS IN THE FIELD AND SHALL BUILD HOME IN ACCORDANCE WITH THE INTERNATIONAL RESIDENTIAL CODE 2015.

RESIDENCE OF  
**GARY MORRISON**

Project

**MADDEN HOME DESIGN**

8375 Rushing Road  
 Dentham Springs, Louisiana  
 70726  
 Phone: (225) 791-2912

**A B D**

Project No.: The Stoney Creek  
 DATE: DECEMBER 1, 2020  
 DRAWN BY: Steven Madden  
 DESIGNED BY: Steven Madden

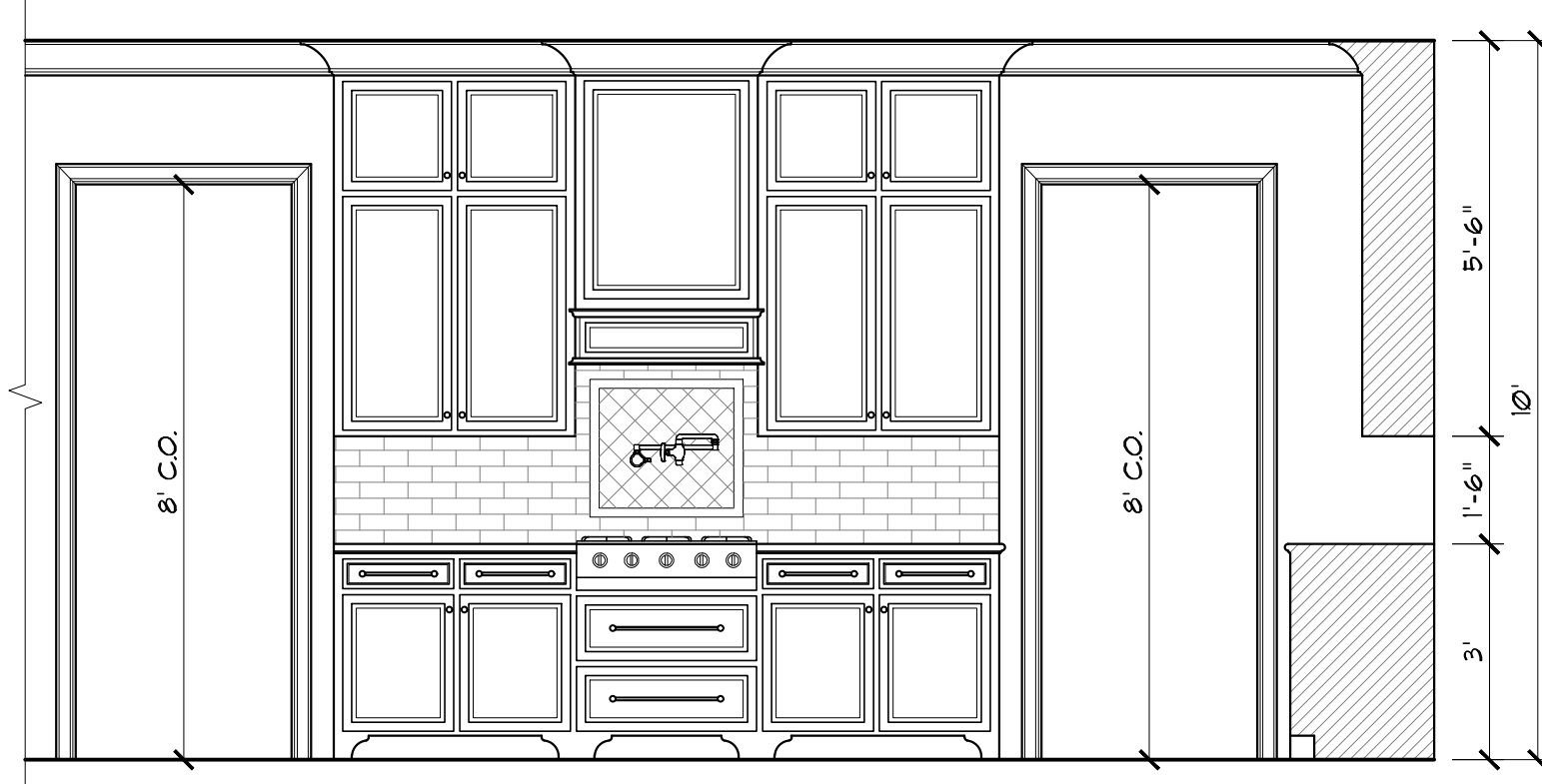
COPYRIGHT NOTE: © These Plans Are Subject To Federal Copyright Laws And Are To Be Used For The Lot Number And Subdivision Indicated In This Title Block Only. Use On Any Other Site Is Prohibited.

© COPYRIGHT 2020

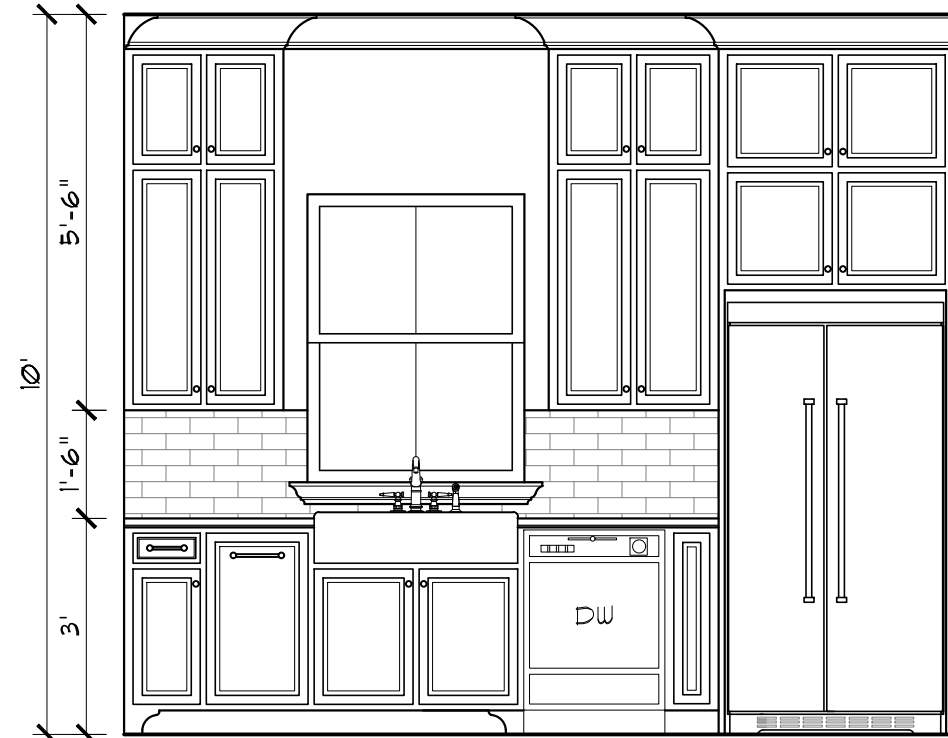
Sheet Title  
**JOISTS FRAMING PLAN**

Sheet:  
 Preliminary Dwg.  
 Bidding Doc.  
 Construction Doc.

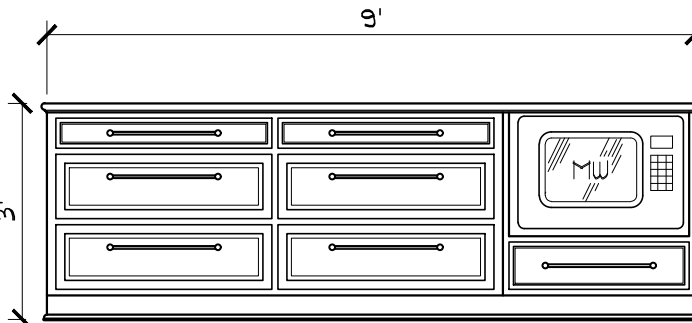
**A5.0**



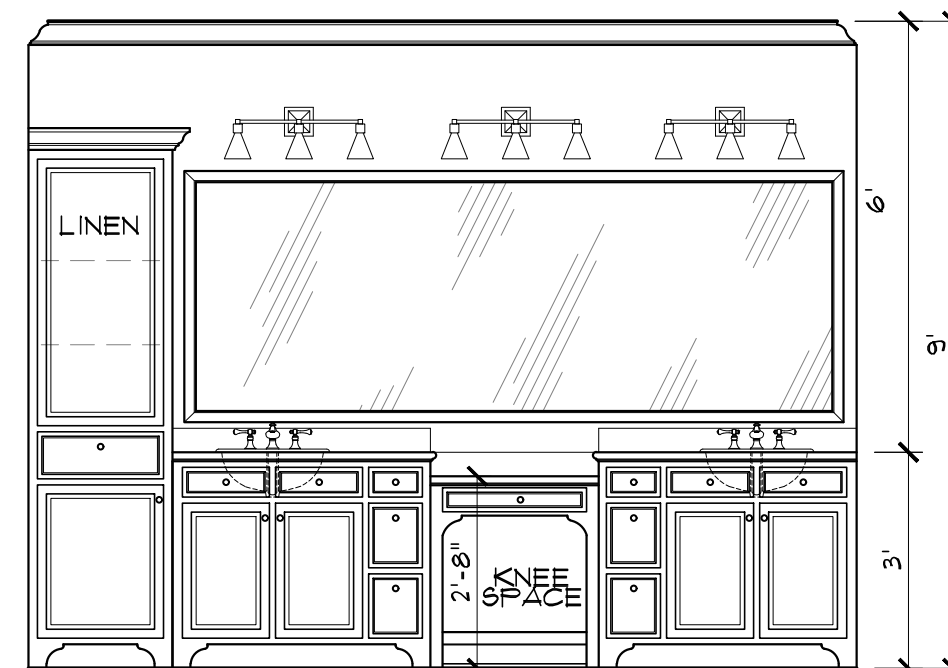
**A KITCHEN ELEVATION**  
SCALE: 3/8" = 1'-0"



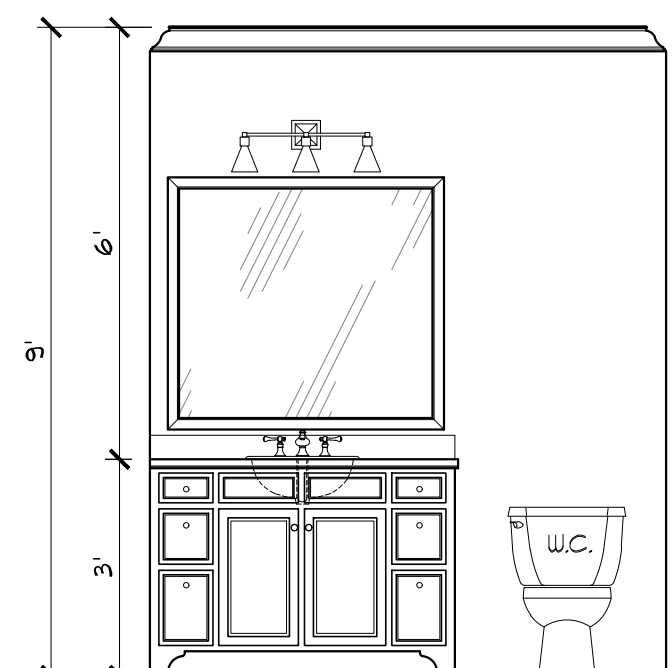
**B KITCHEN ELEVATION**  
SCALE: 3/8" = 1'-0"



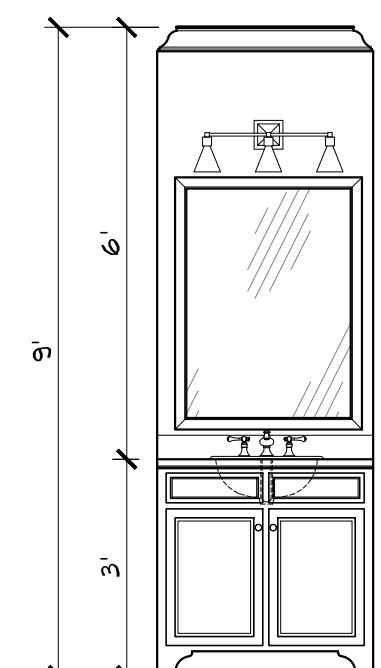
**ISLAND ELEV.**  
SCALE: 3/8" = 1'-0"



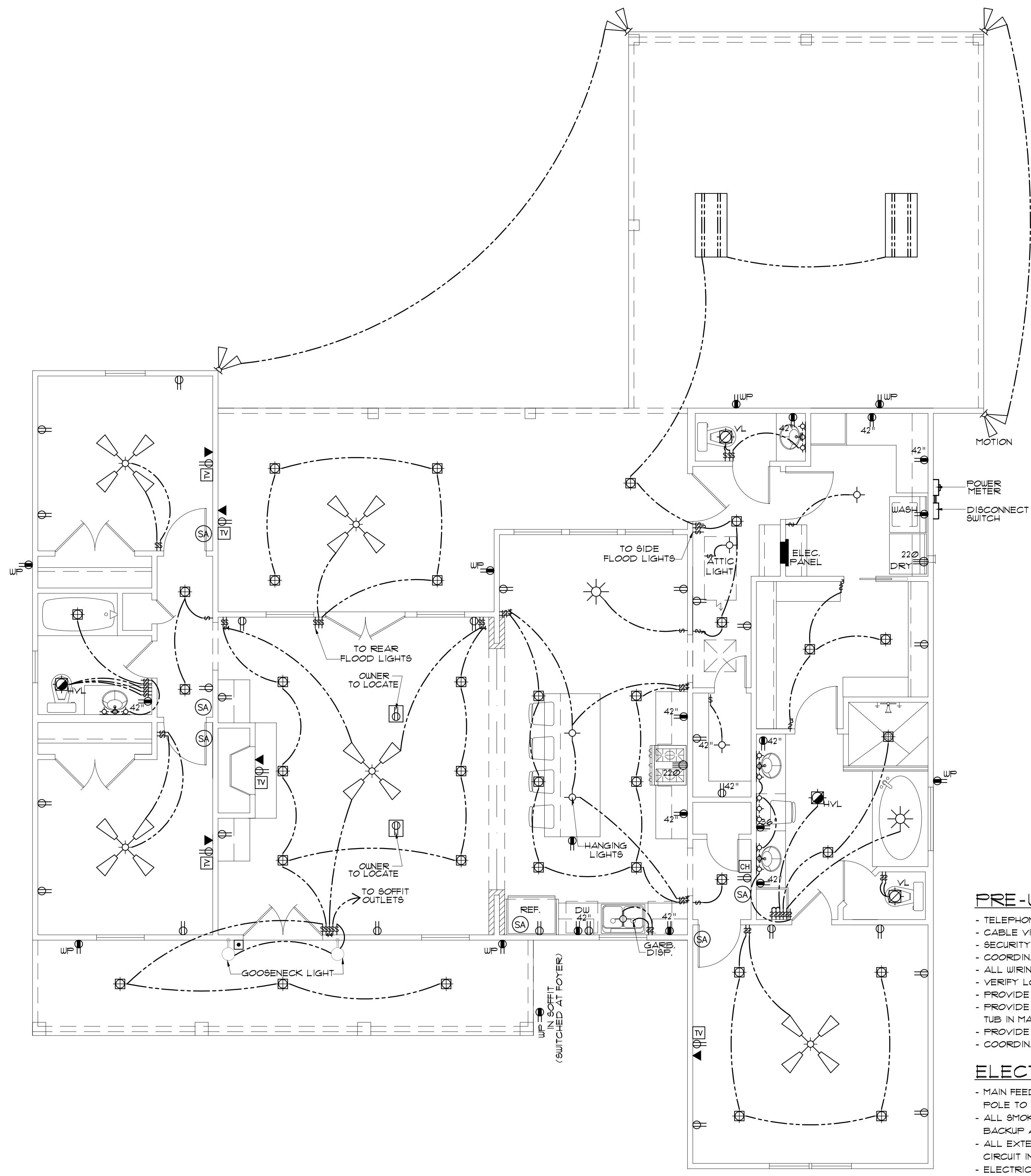
**C MASTER BATH ELEV.**  
SCALE: 3/8" = 1'-0"



**D BATH #2 ELEV.**  
SCALE: 3/8" = 1'-0"



**E 1/2 BATH ELEV.**  
SCALE: 3/8" = 1'-0"



**ELECTRICAL PLAN**  
SCALE: 1/4" = 1'-0"

ELECTRICAL SYMBOL LEGEND	
	CABLE OUTLET
	TELEPHONE/ ETHERNET OUTLET
	RECEPTACLE, 15A, 125V, 2 POLE 3 WIRE, GROUNDING, DUPLEX
	FLOOR DUPLEX RECEPTACLE
	GROUND-FAULT-CIRCUIT-INTERLUPT RECEPTACLE-USE SQUARE D QUICK GUARD FOR WP LOCATIONS
	RECEPTACLE, 50A, 220V, 2 POLE 3 WIRE, GROUNDING
	TOGGLE SWITCH, SINGLE POLE, 15A
	TOGGLE SWITCH, 3 WAY, 15A
	ELEC. DOOR BELL
	DOORBELL CHIME
	DIMMER SWITCH
	LIGHT FIXTURE, INCANDESCENT CEILING MOUNTED
	LIGHT FIXTURE, INCANDESCENT EXTERIOR FLOODS
	CEILING FAN W/ LIGHT- PROVIDE SEPERATE SWITCHES FOR F & L
	LIGHT FIXTURE - CHANDELIER W/ INCANDESCENT BULBS
	LED RECESSED LIGHT
	LIGHT FIXTURE - FLOURESCENT
	SMOKE ALARM - 110V ELEC. W/ CARBON MONOXIDE DETECTOR
	VANITY LIGHT
	VENT/LIGHT RECESSED CAN
	HEAT/VENT/LIGHT
	VENT/LIGHT ONLY
	SCONCE LIGHT
	ELECTRIC LANTERN

**PRE-WIRE FOR THE FOLLOWING:**

- TELEPHONE (ONE INCOMING LINE)
- CABLE VISION (ONE OUTLET PER ROOM MINIMUM)
- SECURITY SYSTEM - COORDINATE W/ OWNER
- COORDINATE ELECTRICAL SYSTEM WITH MECHANICAL CONTRACTOR
- ALL WIRING TO BE COPPER MIN. 12/2 W/ GROUND
- VERIFY LOCATION OF FLOOR OUTLETS IN FAMILY ROOM
- PROVIDE 110V OUTLET FOR GARAGE DISPOSAL UNDER KITCHEN SINK
- PROVIDE 110V OUTLET FOR WHIRLPOOL TUB MOTOR UNDER WHIRLPOOL TUB IN MASTER BATH
- PROVIDE 220V OUTLET FOR CLOTHES DRYER
- COORDINATE SURROUND SYSTEM W/ OWNER

**ELECTRICAL NOTES:**

- MAIN FEED INTO HOUSE TO BE TRENCHED UNDERGROUND FROM SUPPLY POLE TO METER THEN MAIN DISCONNECT OUTSIDE.
- ALL SMOKE DETECTORS TO BE ELECTRIC POWERED WITH BATTERY BACKUP AND WIRED TO SET ALL ALARMS OFF IF ONE IS TRIPPED.
- ALL EXTERIOR, KITCHEN, AND BATH OUTLETS TO BE GROUND FAULT CIRCUIT INTERRUPT EQUIPPED AND ON A SEPARATE CIRCUIT.
- ELECTRICAL DISCONNECTS ARE TO BE AT A/C UNIT, CONDENSING UNIT, AND WATER HEATER.
- HEAT VENT LIGHTS ARE TO BE ON A SEPARATE CIRCUIT.
- OUTLETS, INCLUDING PHONE AND CABLE, MAY BE ADDED OR CHANGED UPON OWNERS REQUEST.
- ELECTRICAL CONTRACTOR TO VERIFY EQUIPMENT TYPE AND SIZE.
- INSTALL LIGHTS IN ATTIC SPACE W/ SWITCH AT FOOT OF DISP. STAIRS
- ELECTRICAL SERVICE TO BE A 42 CIRCUIT 200 AMP MAIN LOCATED IN THE UTILITY.
- A SUB-PANEL MAY NEED TO BE ADDED FOR ENOUGH CIRCUITS.
- HOUSE TO BE WIRED FOR A SECURITY SYSTEM.
- ALL KITCHEN OUTLETS ARE TO BE GFI EXCEPT APPLIANCE OUTLETS NOT EASILY ACCESSIBLE.
- ARC FAULT BREAKERS ARE TO BE USED IN ALL BEDROOMS.
- IF GAS FIRED APPLIANCES ARE USED IN HOME, CARBON MONOXIDE ALARMS ARE NEEDED (IRC R315).

MADDEN HOME DESIGN, LLC NOT BEING AN ARCHITECTURAL OR ENGINEERING FIRM... EVERY EFFORT HAS BEEN MADE TO INSURE ALL DIMENSIONS ARE CORRECT AND ENVIRONMENTAL REGULATIONS HAVE BEEN MET. IF AN ERROR OR OMISSION DOES OCCUR IT IS THE SOLE RESPONSIBILITY OF THE CONTRACTOR AND/OR OWNER AT HIS OWN EXPENSE AND THE RESPONSIBILITY OF THE DRAWING SERVICE. CONTRACTOR IS RESPONSIBLE FOR VERIFICATION OF DIMENSIONS IN THE FIELD AND SHALL BUILD HOME IN ACCORDANCE WITH THE INTERNATIONAL RESIDENTIAL CODE 2015.

RESIDENCE OF  
**GARY MORRISON**

Project

**MADDEN HOME DESIGN**  
8375 Rushing Road  
Denham Springs, Louisiana  
70726  
Phone: (225) 791-2912

**A B D**

Project No.: The Stoney Creek  
DATE: DECEMBER 1, 2020  
DRAWN BY: Steven Madden  
DESIGNED BY: Steven Madden

COPYRIGHT NOTE: © These Plans Are Subject To Federal Copyright Laws And Are To Be Used For The Lot Number And Subdivision Indicated In This Title Block Only. Use On Any Other Site Is Prohibited.

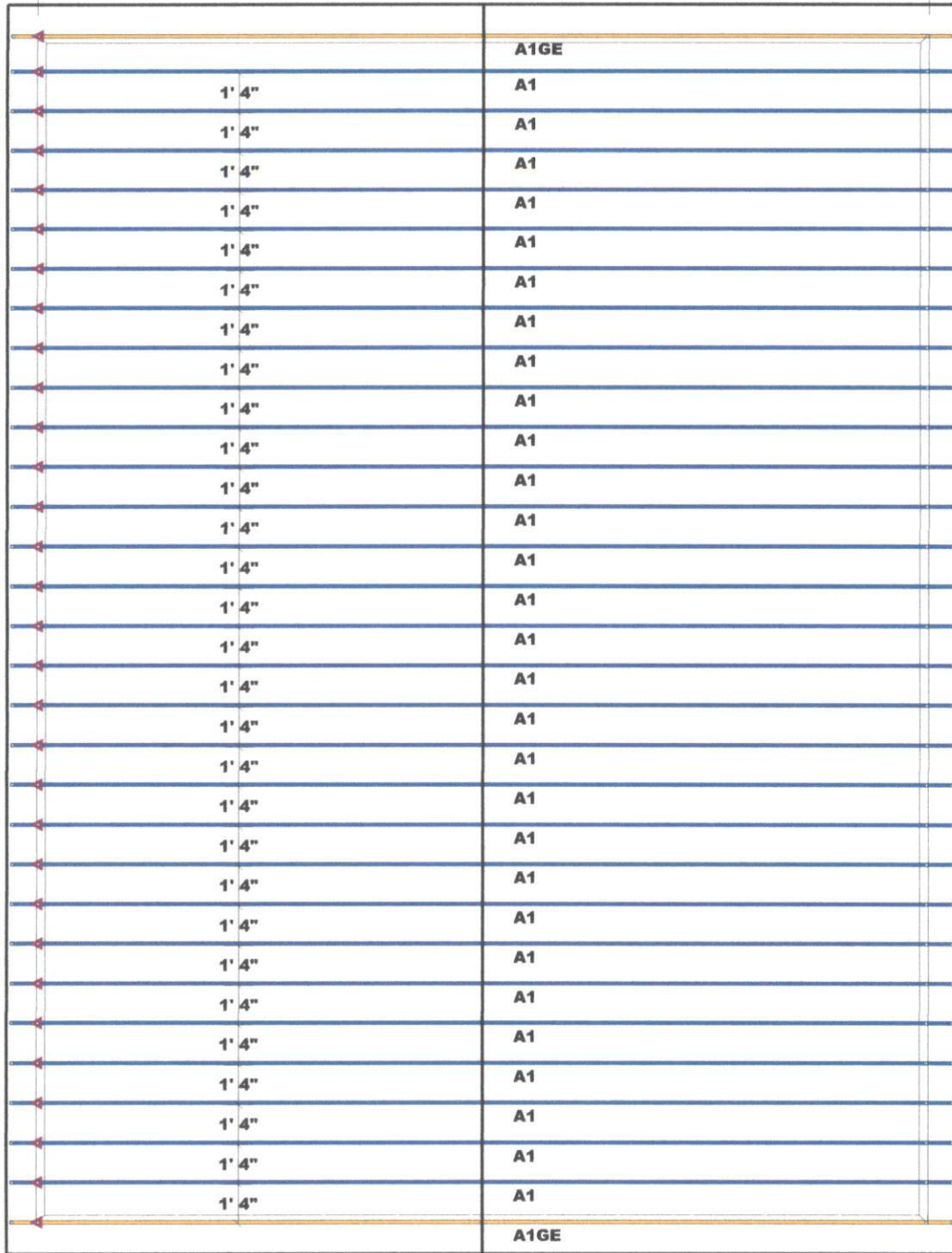
© COPYRIGHT 2020

Sheet Title  
**ELECTRICAL PLAN**

Sheet:  
□ Preliminary Dwg.  
□ Bidding Doc.  
□ Construction Doc.  
**E1.0**



30' 0"



40' 0"

▲ = Denotes Left End of Truss  
(Reference Engineered Truss Drawing)  
Do Not Erect Trusses Backwards

Truss Placement Plan  
SCALE: 3/8" = 1'

LOAD CHART FOR JACK STUDS

SPACING	MAXIMUM UNIFORM LOAD (PSF)	MAXIMUM POINT LOAD (KIP)
1720	1500	1400
1400	2000	1800
1120	2500	2000
840	3000	2200
560	3500	2400
280	4000	2600

BUILDER	Wayne Dennis	CITY / CO.	Lillington / Harnett
JOB NAME	Marrison Garage	ADDRESS	Site Address
PLAN	Plan	MODEL	Model
SEAL DATE	Seal Date	DATE REV.	06/14/21
QUOTE #	B0621-3740	DRAWN BY	Curtis Quick
JOB #	Order #	SALES REP.	Curtis Quick

**THIS IS A TRUSS PLACEMENT DIAGRAM ONLY.**  
These trusses are designed as individual building components to be incorporated into the building design at the specification of the building designer. The individual design sheets for each truss design identified on the placement drawing. The building designer is responsible for integrity and permanent bracing of the roof and floor systems used for the overall structure. The design of the truss support structure including headers, beams, walls, and columns is the responsibility of the building designer. For general guidance regarding bracing, consult ICC-601 and ICC-602 printed with the truss delivery package or call us at 866-868-8686.

Beaming requirements less than or equal to 2000# are deemed to comply with the prescriptive Code requirements. The contractor shall refer to the attached Tables (1) derived from the prescriptive Code requirements (1) to determine the minimum foundation size and number of spread abuts required to support reactions greater than 2000# but not greater than 15000#. A registered design professional shall be retained to design the support system for any reaction that exceeds those specified in the attached Tables. A registered design professional shall be retained to design the support system for all reactions that exceed 15000#.

Signature: Curtis Quick  
Curtis Quick



**ROOF & FLOOR  
TRUSSES & BEAMS**  
Reilly Road Industrial Park  
Fayetteville, N.C. 28309  
Phone: (910) 864-8787  
Fax: (910) 864-4444