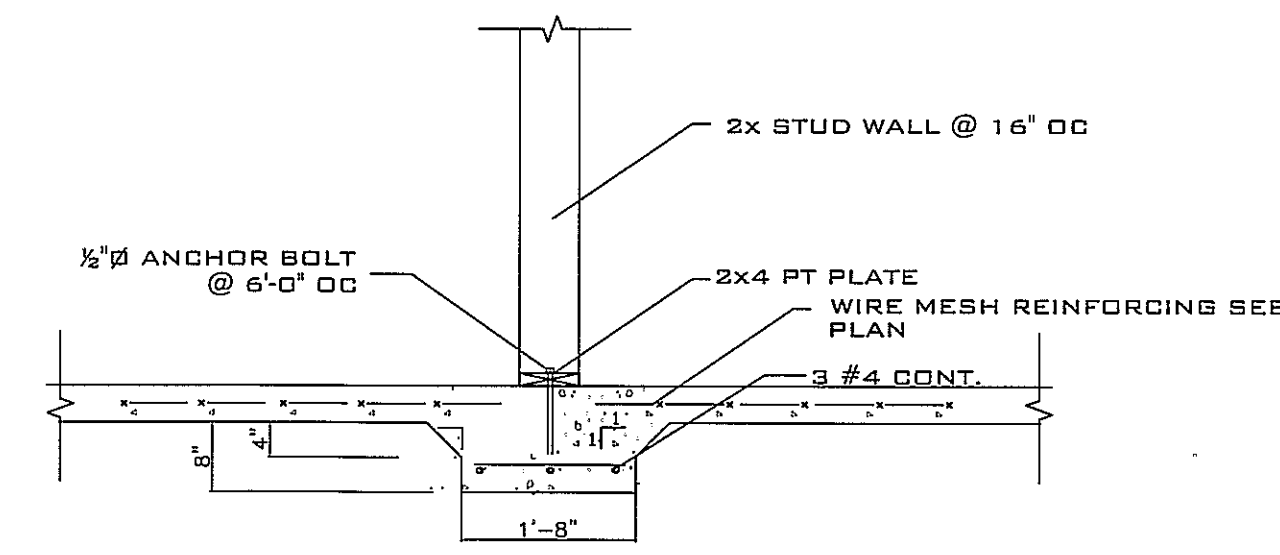
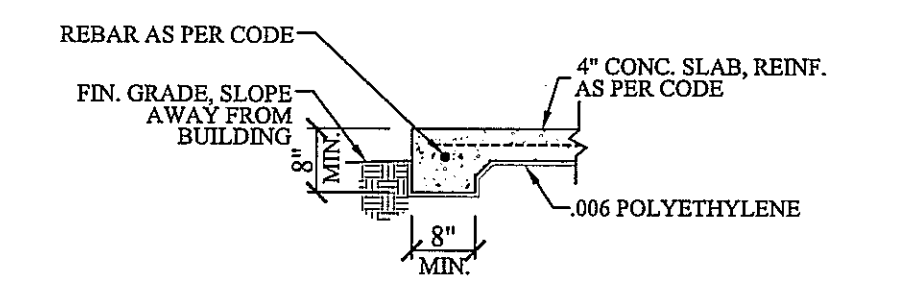


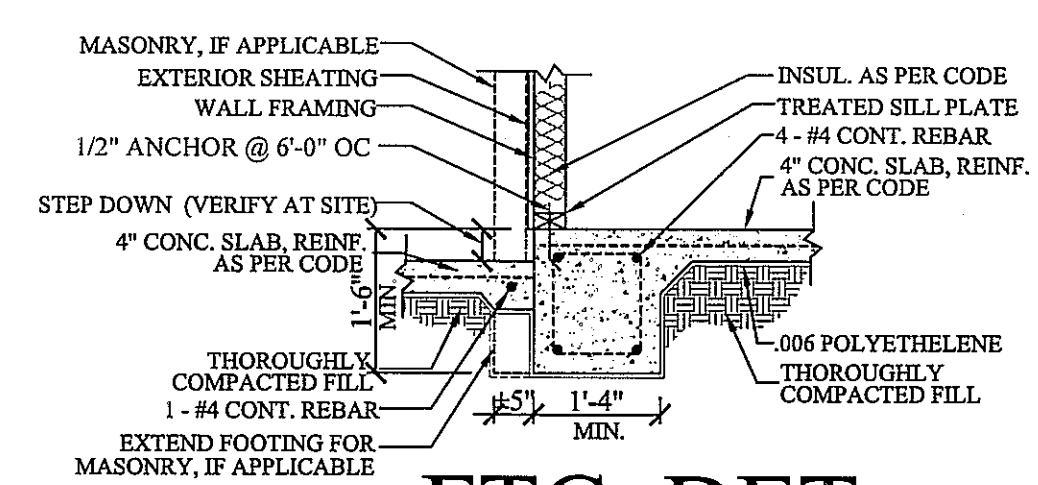
**201 FOUNDATION PLAN**  
 SCALE: 1/4" = 1'-0"



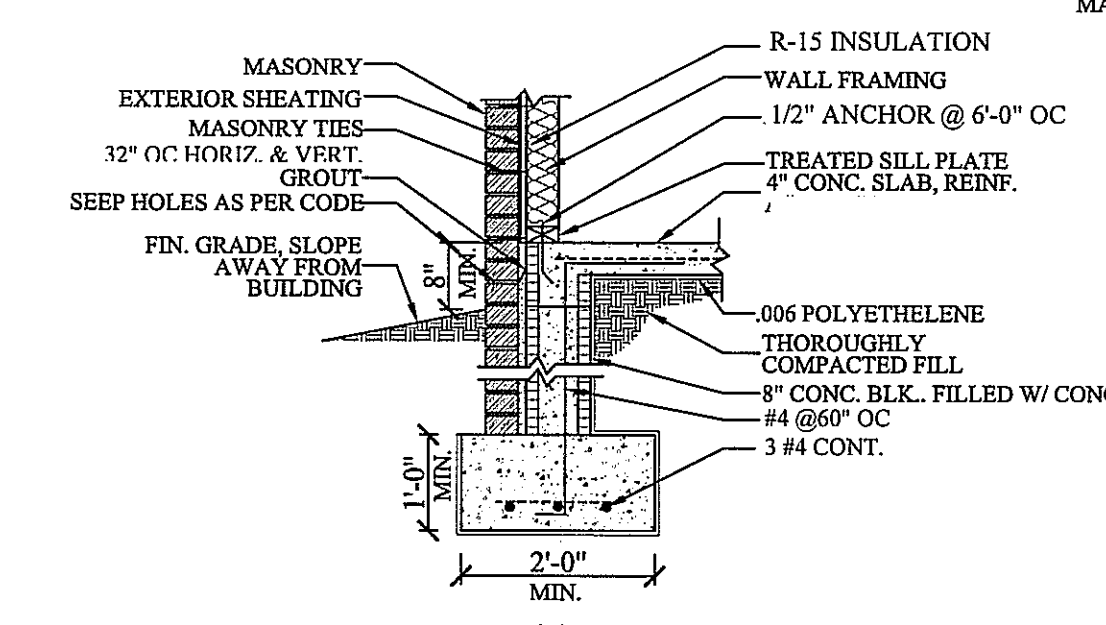
**203 THICKENED SLAB**  
 SCALE: NTS



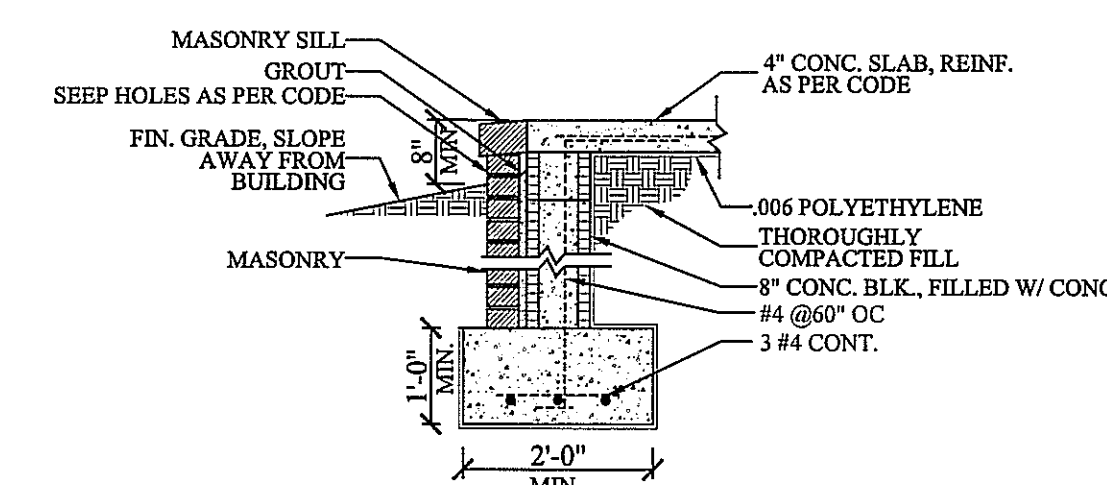
**202 FTG. DET.**



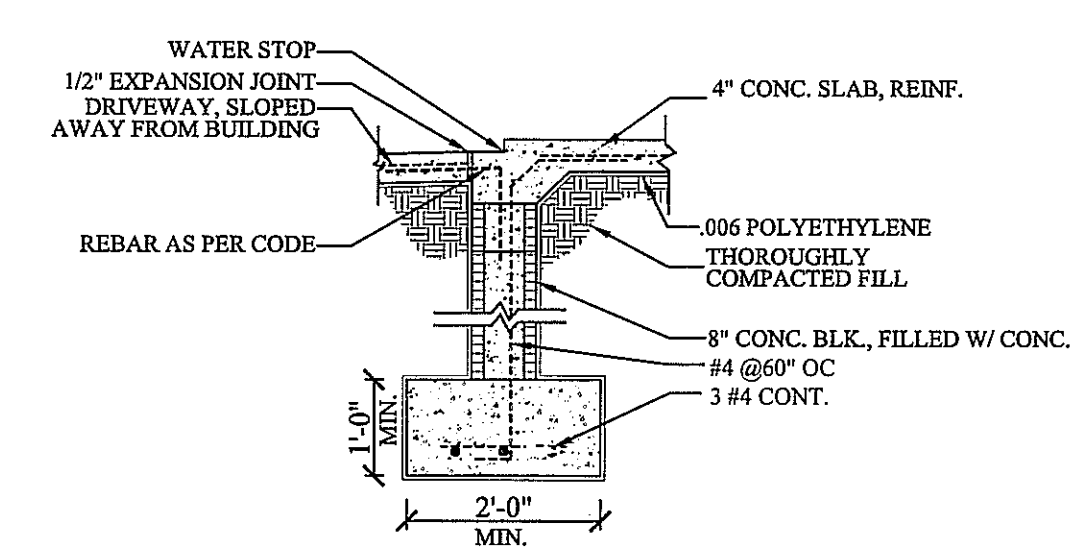
**205 FTG. DET.**



**220 FTG. DET.**



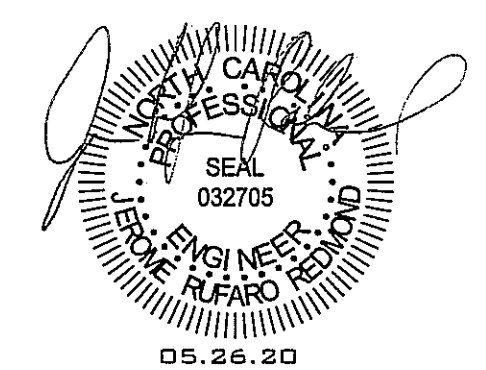
**221 FTG. DET.**



**223 FTG. DET.**

**FOUNDATION NOTES:**

1. FLOOR LIVE LOAD 40 PSF
2. ROOF LIVE 20 PSF
3. WF2.0 - 2'-0"WX16"D CONT. WALL FOOTING W/3 #4 OR 2 # 5 CONT.
- WF1.8 - 1'-8"WX16"D CONT. WALL FOOTING W/3 #4 OR 2 # 5 CONT.
- F3.0 - 36"X36"X12"D W/ 4 #4 EW
4. WALL: 2X4@16" OC
5. WOOD: SPF NO. 2 OR HIGHER
6. CONCRETE: F'c = 3000 PSI
7. MASONRY: F'm = 1500 PSI
8. ASSUMED SOIL BEARING: 2000 PSF
9. 4" CONCRETE SLAB ON GRADE CONCRETE W/6X6-W1.4XW1 4 REINFORCING OVER 6 MIL VAPOR BARRIER ON COMPACTED FILL
10. SLAB PERIMETER INSULATION: R-15 FOR 24"



JEROME RUFARD REDMOND, PE  
 BUILDING ENGINEERING & DESIGN  
 8209A MARKET ST. STE 222  
 WILMINGTON, NC 28411  
 P: 910.915.6529  
[JRUFARD@JRUFARDAE.COM](mailto:JRUFARD@JRUFARDAE.COM)