

R403.1 General
 All exterior walls shall be supported on continuous solid or fully grouted masonry or concrete footings, crushed stone footings, wood foundations, or other approved structural systems which shall be of sufficient design to accommodate all loads according to Section R401 and to transmit the resulting loads to the soil within the limitations as determined from the character of the soil. Footings shall be supported on undisturbed natural soils or engineered fill. Concrete footing shall be designed and constructed in accordance with the provisions of Section R403 or in accordance with ACI 332. Discontinuous footings shall be permitted to be constructed in accordance with ACI 332-04 for concrete foundation walls and Appendix Q for masonry foundation walls.

TABLE R403.1
MINIMUM WIDTH OF CONCRETE OR MASONRY FOOTINGS
 (inches)

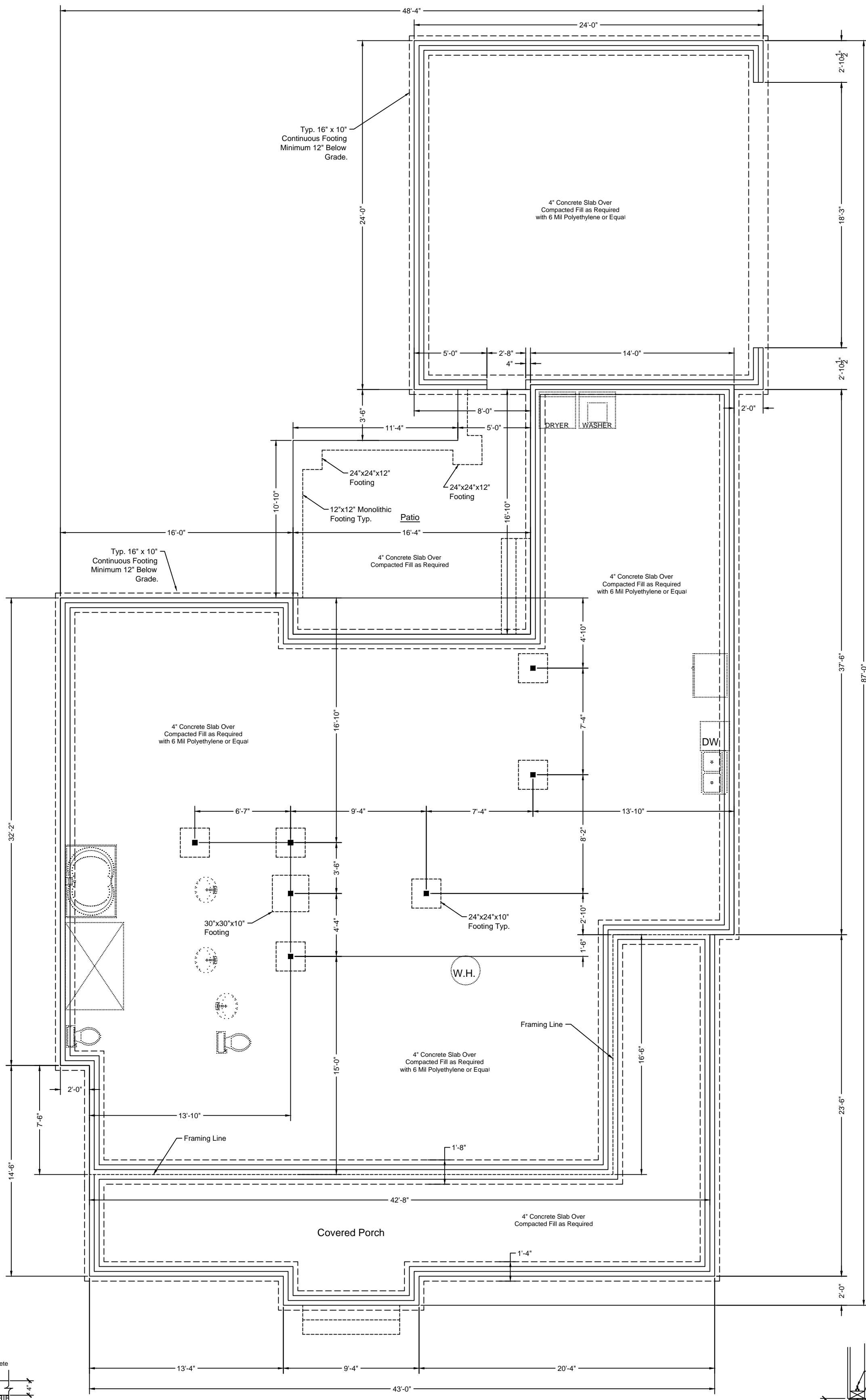
	LOAD-BEARING VALUE OF SOIL (psf)			
	1,500	2,000	3,000	4,000
CONCRETE OR MASONRY CONSTRUCTION				
1-Story	12	12	12	12
2-Story	15	15	12	12
3-Story	23	17	12	12
4-INCH BRICK VENEER OVER FULL FRAME OR 8-INCH FULL CONCRETE MASONRY				
1-Story	12	12	12	12
2-Story	15	15	12	12
3-Story	33	24	16	12
BRICK SOLID OR FULLY-GROUTED MASONRY				
1-Story	16	12	12	12
2-Story	25	21	14	12
3-Story	42	32	21	16

For S1: 1 inch = 25.4 mm, 1 pound per square foot = 0.0479 kPa.
 a. Where minimum footing width is 12 inches, use of a single wythe of solid or fully grouted 12-inch nominal concrete masonry units is permitted.
 b. A minimum footing width of 12 inches is acceptable for monolithic slab foundations.

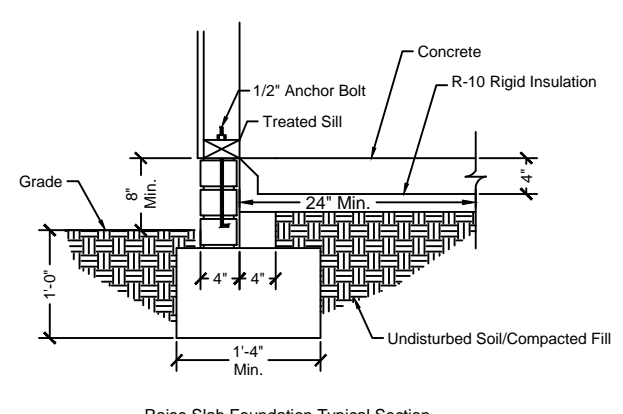
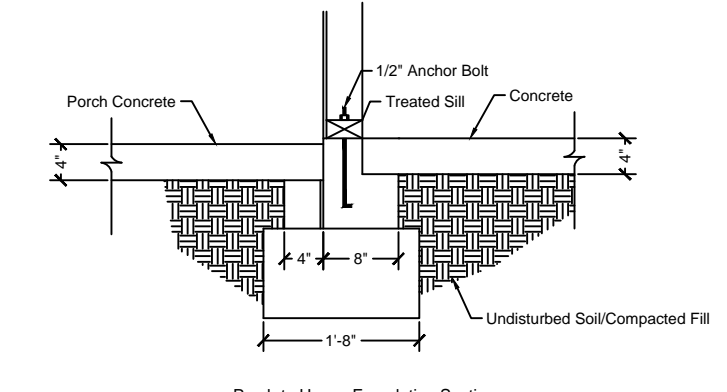
R403.1.1 Minimum Size
 Minimum sizes for concrete and masonry footings shall be as set forth in Table R403.1 and Figure R403.1(1). The footing width, W, shall be based on the load-bearing value of the soil in accordance with Table R403.1. Spaced footings shall be at least 6 inches (152 mm) in thickness, T. Footing projections, P, shall be at least 2 inches (51 mm) and shall not exceed the thickness of the footing. The size of footings supporting piers and columns shall be based on the tributary load and allowable soil pressure in accordance with Table R401.4.1. Footings for wood foundations shall be in accordance with the details set forth in Section R403.2, and Figures R403.1(2) and R403.1(3).

R403.1.4 Minimum Depth
 All exterior footings and foundation systems shall extend below the frost line specified in Table R301.2(1). In no case shall the bottom of the exterior footings be less than 12 inches below the finished grade.
 Exception: Frost protected footings constructed in accordance with Section R403.3 and footings and foundations erected on solid rock shall not be required to extend below the frost line.

R403.1.5 Slope
 The top surface of footings shall be level (1/2 inch in 10 feet) or shall be brought level, under the width of the wall, with masonry units with full mortar joints. The bottom surface of footings may have a slope not exceeding one unit vertical in 10 units horizontal (10-percent slope). Footings shall be stepped where it is necessary to change the elevation of the top surface of the footings or where the slope of the bottom surface of the footings will exceed one unit vertical in ten units horizontal (10-percent slope).



Foundation Plan



RC-3
 SHEET NUMBER
 3 OF 7

Lawrence Residence		GENERAL NOTES:		
DRAWN BY:	Floor Plan	REVISION	DATE	DESCRIPTION
CHECKED BY:	DATE: 4/1/2021			
FILE :	SCALE: 3/16" = 1'-0"			



Regency Construction

PO Box 25640 - Fayetteville, NC 28314
 Ph: 910-424-0455 Fax: 910-826-9022