

Job 1724685	Truss A1	Truss Type COMMON SUPPORTED GAB	Qty 1	Ply 1	Job Reference (optional)
----------------	-------------	------------------------------------	----------	----------	--------------------------

Builders FirstSource, Albemarle, NC 28001

Run: 8.200 s Nov 3 2018 Print: 8.200 s Nov 3 2018 MiTek Industries, Inc. Wed Apr 3 11:52:53 2019 Page 1
ID:p5X2pW7FEt9qX?fgBiNF0hyWrXu-tOcWKxWiihB1PmqNH_LowVGXs8RDK0LJYd_OzzUS6e

-0-11-0	29-3-8	58-7-0	59-6-0
0-11-0	29-3-8	29-3-8	0-11-0

Scale = 1:97.0

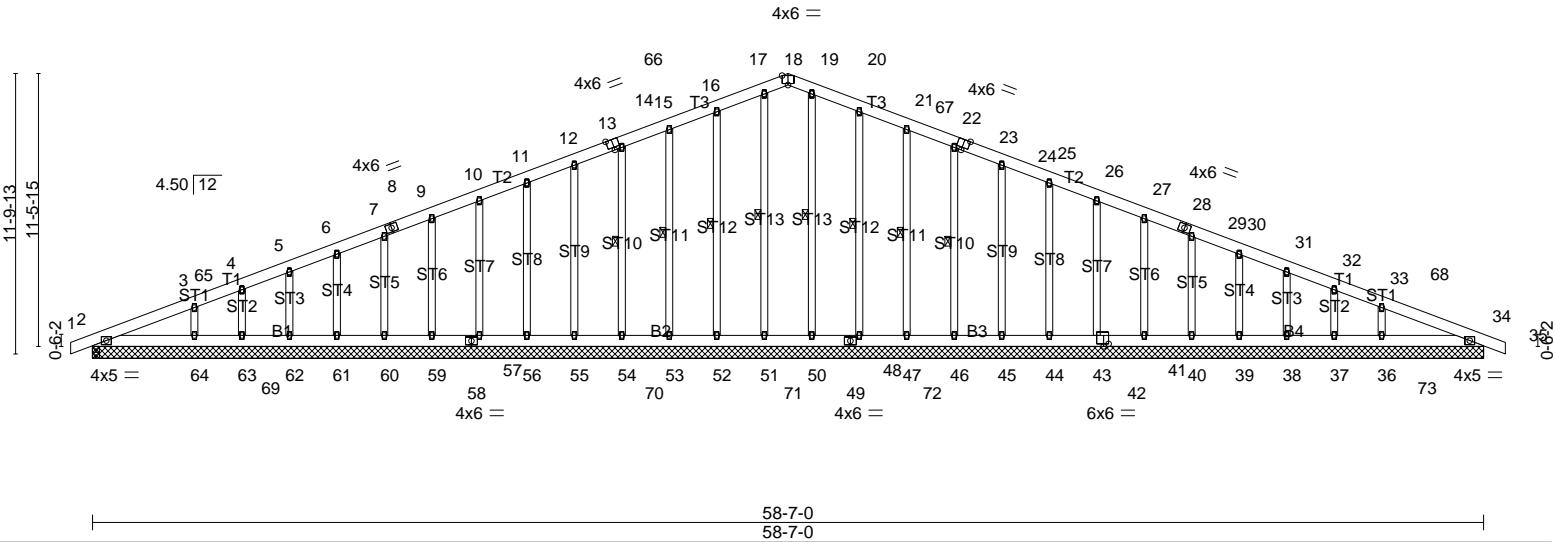


Plate Offsets (X,Y)-- [13:0-3-0,Edge], [18:0-3-0,Edge], [23:0-3-0,Edge], [42:0-2-8,0-1-4], [42:0-0-0,0-2-12], [43:0-1-12,0-0-0]

LOADING (psf)	SPACING-	CSI.	DEFL.	PLATES	GRIP
TCLL (roof) 20.0	2-0-0	TC 0.08	in (loc) l/defl L/d	MT20	244/190
Snow (Pf/Pg) 15.4/20.0	Plate Grip DOL 1.15	BC 0.06	Vert(LL) -0.00 34-36 >999 360		
TCDL 10.0	Lumber DOL 1.15	WB 0.13	Vert(CT) -0.01 34-36 >999 240		
BCLL 0.0 *	Rep Stress Incr YES	Matrix-S	Horz(CT) 0.01 34 n/a n/a		
BCDL 10.0	Code IRC2015/TPI2014		Wind(LL) 0.00 34-36 >999 240		
				Weight: 510 lb	FT = 20%

LUMBER-
TOP CHORD 2x6 SP No.2
BOT CHORD 2x6 SP No.2
OTHERS 2x4 SP No.3

BRACING-
TOP CHORD Structural wood sheathing directly applied or 6-0-0 oc purlins.
BOT CHORD Rigid ceiling directly applied or 10-0-0 oc bracing.
WEBS 1 Row at midpt 17-51, 16-52, 15-53, 14-54, 19-50, 20-48, 21-47, 22-46

MiTek recommends that Stabilizers and required cross bracing be installed during truss erection, in accordance with Stabilizer Installation guide.

REACTIONS. All bearings 58-7-0.
(lb) - Max Horz 2=88(LC 21)
Max Uplift All uplift 100 lb or less at joint(s) 34, 52, 53, 54, 55, 56, 57, 59, 60, 61, 62, 63, 64, 48, 47, 46, 45, 44, 43, 41, 40, 39, 38, 37, 36, 2
Max Grav All reactions 250 lb or less at joint(s) 34, 51, 52, 53, 54, 55, 56, 57, 59, 60, 61, 62, 63, 50, 48, 47, 46, 45, 44, 43, 41, 40, 39, 38, 37, 2, 2 except 64=336(LC 34), 36=336(LC 35)

FORCES. (lb) - Max. Comp./Max. Ten. - All forces 250 (lb) or less except when shown.
TOP CHORD 15-16=88/255, 16-17=99/284, 17-18=94/268, 18-19=94/270, 19-20=99/286, 20-21=88/257

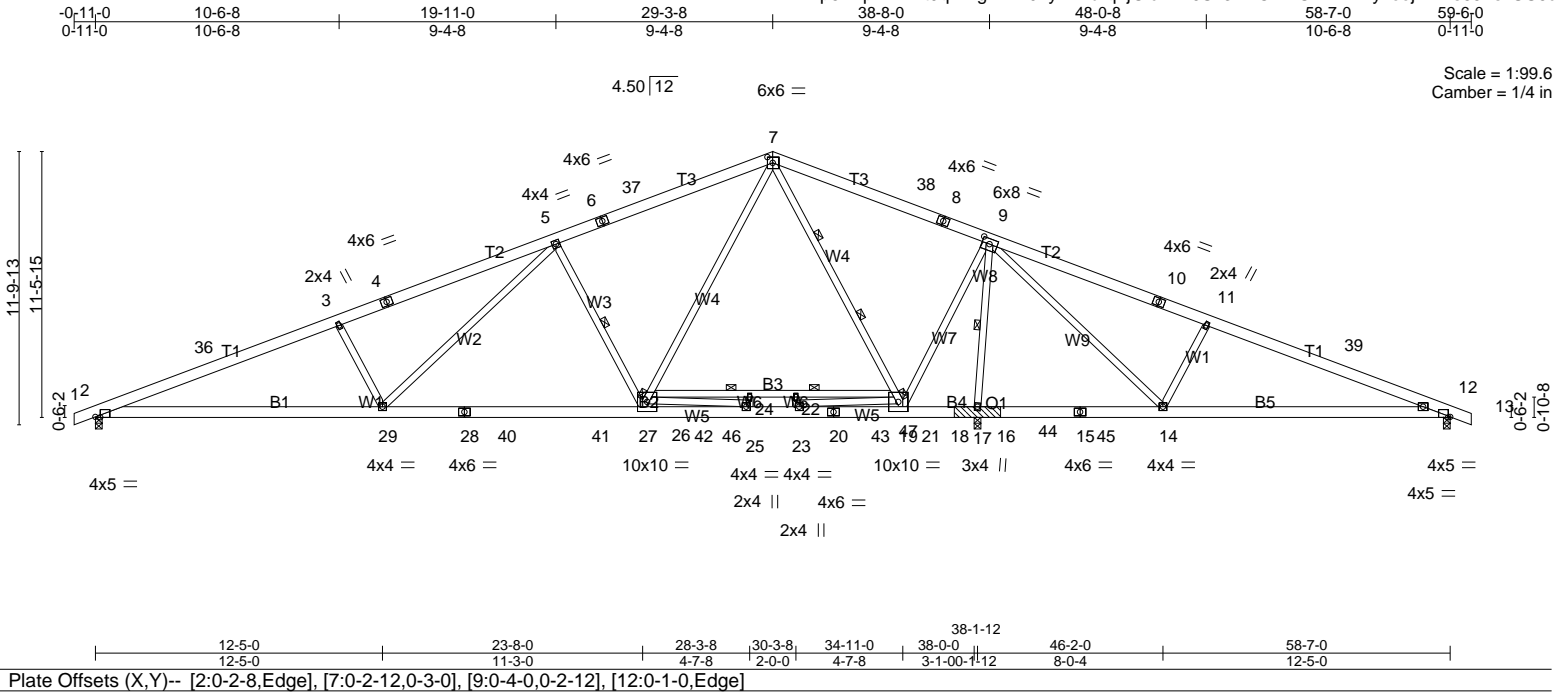
- NOTES-**
- Unbalanced roof live loads have been considered for this design.
 - Wind: ASCE 7-10; Vult=115mph (3-second gust) Vasd=91mph; TCDL=6.0psf; BCDL=6.0psf; h=25ft; Cat. II; Exp B; enclosed; MWFRS (envelope) and C-C Corner(3) -0-11-0 to 4-11-5, Exterior(2) 4-11-5 to 29-3-8, Corner(3) 29-3-8 to 35-1-13 zone; cantilever left and right exposed ;C-C for members and forces & MWFRS for reactions shown; Lumber DOL=1.60 plate grip DOL=1.60
 - Truss designed for wind loads in the plane of the truss only. For studs exposed to wind (normal to the face), see Standard Industry Gable End Details as applicable, or consult qualified building designer as per ANSI/TPI 1.
 - TCLL: ASCE 7-10; Pr=20.0 psf (roof live load: Lumber DOL=1.15 Plate DOL=1.15); Pg=20.0 psf (ground snow); Pf=15.4 psf (flat roof snow); Lumber DOL=1.15 Plate DOL=1.15); Category II; Exp B; Partially Exp.; Ct=1.1
 - Unbalanced snow loads have been considered for this design.
 - This truss has been designed for greater of min roof live load of 12.0 psf or 1.00 times flat roof load of 15.4 psf on overhangs non-concurrent with other live loads.
 - All plates are 2x4 MT20 unless otherwise indicated.
 - Gable studs spaced at 2-0-0 oc.
 - This truss has been designed for a 10.0 psf bottom chord live load nonconcurrent with any other live loads.
 - * This truss has been designed for a live load of 20.0psf on the bottom chord in all areas where a rectangle 3-6-0 tall by 2-0-0 wide will fit between the bottom chord and any other members.
 - Provide mechanical connection (by others) of truss to bearing plate capable of withstanding 100 lb uplift at joint(s) 34, 52, 53, 54, 55, 56, 57, 59, 60, 61, 62, 63, 64, 48, 47, 46, 45, 44, 43, 41, 40, 39, 38, 37, 36, 2.
 - This truss is designed in accordance with the 2015 International Residential Code sections R502.11.1 and R802.10.2 and referenced standard ANSI/TPI 1.

LOAD CASE(S) Standard

Job 1724685	Truss A2	Truss Type COMMON	Qty 9	Ply 1	Job Reference (optional)
----------------	-------------	----------------------	----------	----------	--------------------------

Builders FirstSource, Albemarle, NC 28001

Run: 8.200 s Nov 3 2018 Print: 8.200 s Nov 3 2018 MiTek Industries, Inc. Wed Apr 3 11:52:55 2019 Page 1
ID:p5X2pW7FEt9qX?fgBiNF0hyWrXu-qnjGlcYzEJSIF3zmOPNG?wLmAyxoojE2ms65TszUS6c



Scale = 1:99.6
Camber = 1/4 in

LOADING (psf)	SPACING-	CSI.	DEFL.	PLATES	GRIP
TCLL (roof) 20.0	2-0-0	TC 0.54	in (loc) l/defl L/d	MT20	244/190
Snow (Pf/Pg) 15.4/20.0	Plate Grip DOL 1.15	BC 0.76	Vert(LL) -0.22 27-29 >999 360		
TCDL 10.0	Lumber DOL 1.15	WB 1.00	Vert(CT) -0.39 27-29 >999 240		
BCLL 0.0 *	Rep Stress Incr YES	Matrix-AS	Horz(CT) 0.06 17 n/a n/a		
BCDL 10.0	Code IRC2015/TPI2014		Wind(LL) 0.09 29-32 >999 240	Weight: 435 lb	FT = 20%

LUMBER-	BRACING-
TOP CHORD 2x6 SP No.2	TOP CHORD Structural wood sheathing directly applied.
BOT CHORD 2x6 SP No.2 *Except* B3: 2x4 SP No.2	BOT CHORD Rigid ceiling directly applied. Except: 4-10-0 oc bracing: 21-26
WEBS 2x4 SP No.3 *Except* W4: 2x4 SP No.2	WEBS 1 Row at midpt 5-27, 9-17 2 Rows at 1/3 pts 7-21
OTHERS 2x6 SP No.2	
LBR SCAB 16-18 2x6 SP No.2 one side	MiTek recommends that Stabilizers and required cross bracing be installed during truss erection, in accordance with Stabilizer Installation guide.

REACTIONS. (lb/size) 2=1261/0-3-8 (min. 0-1-11), 12=426/0-3-8 (min. 0-1-8), 17=2769/(0-3-8 + bearing block) (req. 0-3-14)
Max Horz 2=88(LC 20)
Max Uplift 12=-16(LC 17)
Max Grav 2=1422(LC 2), 12=601(LC 35), 17=3290(LC 3)

FORCES. (lb) - Max. Comp./Max. Ten. - All forces 250 (lb) or less except when shown.
TOP CHORD 2-36=-2934/1, 3-36=-2884/24, 3-4=-2735/12, 4-5=-2650/48, 5-6=-1541/44,
6-37=-1475/55, 7-37=-1439/79, 7-38=0/387, 8-38=0/264, 9-10=-142/422,
10-11=-321/362, 11-39=-502/331, 12-39=-562/282
BOT CHORD 2-29=0/2704, 28-29=0/1742, 28-40=0/1742, 40-41=0/1742, 27-41=0/1742, 27-42=0/906,
25-42=0/906, 23-25=0/1747, 20-23=0/435, 20-43=0/435, 19-43=0/435, 18-19=-1127/87,
17-18=-1127/87, 17-44=-901/89, 16-44=-901/89, 16-45=-901/89, 15-45=-901/89,
14-15=-901/89, 12-14=-264/480, 26-46=-1298/0, 24-46=-1297/0, 22-24=-1296/0,
22-47=-1297/0, 21-47=-1299/0
WEBS 7-21=-1637/19, 19-21=-1830/0, 9-19=0/2085, 9-14=-9/1119, 11-14=-617/143,
26-27=0/1308, 7-26=0/1622, 5-27=-1028/149, 5-29=0/1143, 3-29=-602/145,
25-26=0/1044, 21-23=0/1409, 9-17=-3071/0

- NOTES-**
- 1) Scab(s) 16 to 18 to provide bearing enhancement at jt.17, a cluster of 12 evenly spaced - 10d (0.131"x3") nails are required within 12" of jt.17. Total nails to be divided equally between front and back if scabs are on both sides. Bearing is assumed to be SP No.2.
 - 2) Unbalanced roof live loads have been considered for this design.
 - 3) Wind: ASCE 7-10; Vult=115mph (3-second gust) Vasd=91mph; TCDL=6.0psf; BCDL=6.0psf; h=25ft; Cat. II; Exp B; enclosed; MWFRS (envelope) and C-C Exterior(2) -0-11-0 to 4-11-5, Interior(1) 4-11-5 to 29-3-8, Exterior(2) 29-3-8 to 35-1-13 zone; cantilever left and right exposed ;C-C for members and forces & MWFRS for reactions shown; Lumber DOL=1.60 plate grip DOL=1.60
 - 4) TCLL: ASCE 7-10; Pr=20.0 psf (roof live load; Lumber DOL=1.15 Plate DOL=1.15); Pg=20.0 psf (ground snow); Pf=15.4 psf (flat roof snow); Lumber DOL=1.15 Plate DOL=1.15); Category II; Exp B; Partially Exp.; Ct=1.1
 - 5) Unbalanced snow loads have been considered for this design.
 - 6) This truss has been designed for greater of min roof live load of 12.0 psf or 1.00 times flat roof load of 15.4 psf on overhangs non-concurrent with other live loads.
 - 7) This truss has been designed for a 10.0 psf bottom chord live load nonconcurrent with any other live loads.
 - 8) * This truss has been designed for a live load of 20.0psf on the bottom chord in all areas where a rectangle 3-6-0 tall by 2-0-0 wide will fit between the bottom chord and any other members, with BCDL = 10.0psf.
 - 9) Provide mechanical connection (by others) of truss to bearing plate capable of withstanding 100 lb uplift at joint(s) 12.

Continued on page 2

Job	Truss	Truss Type	Qty	Ply	Job Reference (optional)
1724685	A2	COMMON	9	1	

Builders FirstSource, Albemarle, NC 28001

Run: 8.200 s Nov 3 2018 Print: 8.200 s Nov 3 2018 MiTek Industries, Inc. Wed Apr 3 11:52:56 2019 Page 2
ID:p5X2pW7FEt9qX?fgBiNF0hyWrXu-lzHfyyZb?cacGDYyy7vVY8uxwMH1XAUC?Wse?lzUS6b

NOTES-

- 10) This truss is designed in accordance with the 2015 International Residential Code sections R502.11.1 and R802.10.2 and referenced standard ANSI/TPI 1.
- 11) This truss design requires that a minimum of 7/16" structural wood sheathing be applied directly to the top chord and 1/2" gypsum sheetrock be applied directly to the bottom chord.

LOAD CASE(S) Standard

Job 1724685	Truss A3	Truss Type COMMON	Qty 4	Ply 1	Job Reference (optional)
----------------	-------------	----------------------	----------	----------	--------------------------

Builders FirstSource, Albemarle, NC 28001

Run: 8.200 s Nov 3 2018 Print: 8.200 s Nov 3 2018 MiTek Industries, Inc. Wed Apr 3 11:52:57 2019 Page 1
ID:p5X2pW7FEt9qX?fgBiNF0hyWrXu-m9r1AlaDmwiTuN79WqQk4LQ7vmfEGkVLEAbCXIzUS6a

-0-11-0	10-6-8	19-11-0	29-3-8	38-8-0	48-0-8	58-7-0	59-6-0
0-11-0	10-6-8	9-4-8	9-4-8	9-4-8	9-4-8	10-6-8	0-11-0

Scale = 1:97.3
Camber = 3/16 in

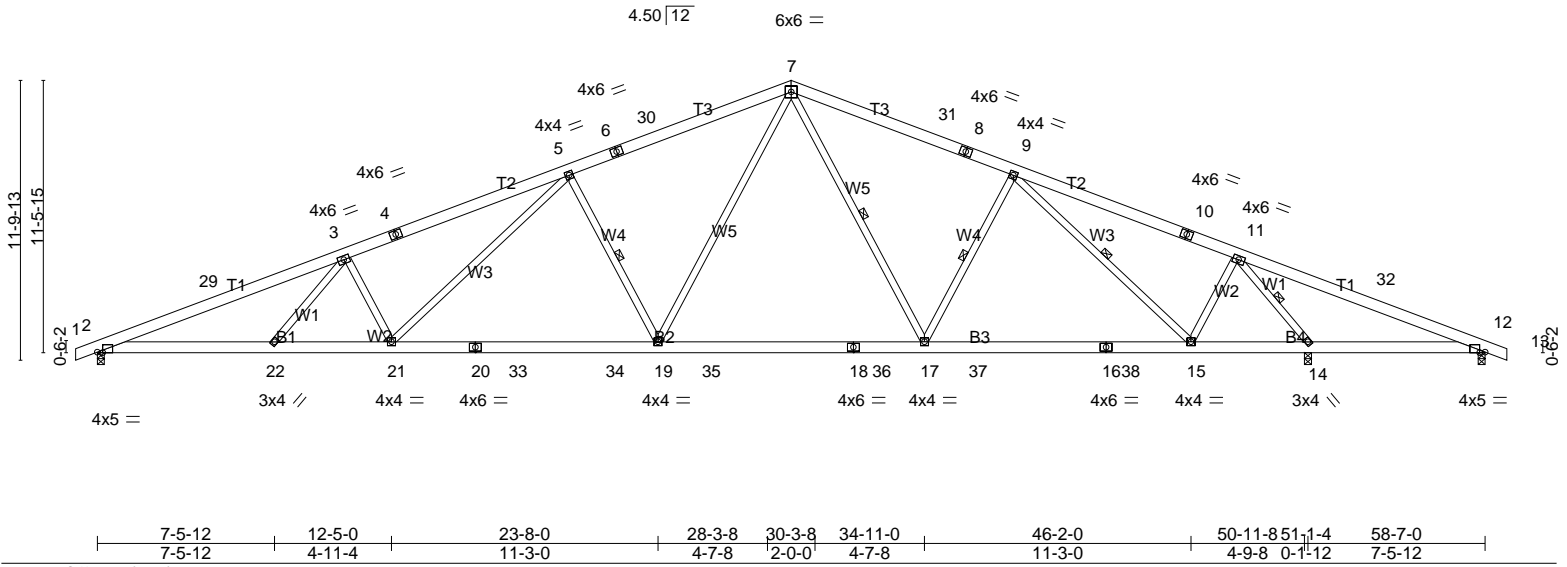


Plate Offsets (X,Y)-- [2:0-2-12,Edge], [12:0-2-12,Edge]									
7-5-12	12-5-0	23-8-0	28-3-8	30-3-8	34-11-0	46-2-0	50-11-8	51-4	58-7-0
7-5-12	4-11-4	11-3-0	4-7-8	2-0-0	4-7-8	11-3-0	4-9-8	0-1-12	7-5-12

LOADING (psf)	SPACING-	CSI.	DEFL.	PLATES	GRIP
TCLL (roof) 20.0	1-4-0	TC 0.46	in (loc) l/defl L/d	MT20	244/190
Snow (Pf/Pg) 15.4/20.0	Plate Grip DOL 1.15	BC 0.63	Vert(LL) -0.22 19-21 >999 360		
TCDL 10.0	Lumber DOL 1.15	WB 0.57	Vert(CT) -0.43 19-21 >999 240		
BCLL 0.0 *	Rep Stress Incr YES	Matrix-AS	Horz(CT) 0.10 14 n/a n/a		
BCDL 10.0	Code IRC2015/TPI2014		Wind(LL) 0.08 19-21 >999 240		
				Weight: 404 lb	FT = 20%

LUMBER-	BRACING-
TOP CHORD 2x6 SP No.2	TOP CHORD Structural wood sheathing directly applied.
BOT CHORD 2x6 SP No.2	BOT CHORD Rigid ceiling directly applied.
WEBS 2x4 SP No.3	WEBS 1 Row at midpt 7-17, 9-17, 9-15, 5-19, 11-14

MiTek recommends that Stabilizers and required cross bracing be installed during truss erection, in accordance with Stabilizer Installation guide.

REACTIONS. (lb/size) 2=1193/0-3-8 (min. 0-1-9), 12=142/0-3-8 (min. 0-1-8), 14=1777/0-3-8 (min. 0-2-6)
 Max Horz 2=58(LC 20)
 Max Uplift 12=239(LC 36)
 Max Grav 2=1349(LC 2), 14=2031(LC 3)

FORCES. (lb) - Max. Comp./Max. Ten. - All forces 250 (lb) or less except when shown.
 TOP CHORD 2-29=3113/56, 3-29=3076/72, 3-4=2910/83, 4-5=2856/107, 5-6=2116/99,
 6-30=2074/106, 7-30=2059/123, 7-31=1717/117, 8-31=1732/100, 8-9=1773/93,
 9-10=931/81, 10-11=990/57, 11-32=12/1165, 12-32=24/1101
 BOT CHORD 2-22=5/2880, 21-22=18/2832, 20-21=0/2190, 20-33=0/2190, 33-34=0/2190,
 19-34=0/2190, 19-35=0/1506, 18-35=0/1506, 18-36=0/1506, 17-36=0/1556,
 37-38=0/1556, 16-38=0/1556, 15-16=0/1556, 14-15=0/477, 12-14=1031/52
 WEBS 7-17=26/322, 9-15=968/33, 11-15=0/908, 7-19=0/934, 5-19=671/101, 5-21=1/711,
 3-21=438/89, 11-14=2400/56

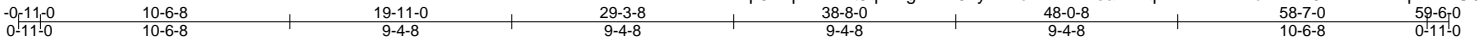
- NOTES-**
- Unbalanced roof live loads have been considered for this design.
 - Wind: ASCE 7-10; Vult=115mph (3-second gust) Vasd=91mph; TCDL=6.0psf; BCDL=6.0psf; h=25ft; Cat. II; Exp B; enclosed; MWFRS (envelope) and C-C Exterior(2) 0-11-0 to 4-11-5, Interior(1) 4-11-5 to 29-3-8, Exterior(2) 29-3-8 to 35-1-13 zone; cantilever left and right exposed ;C-C for members and forces & MWFRS for reactions shown; Lumber DOL=1.60 plate grip DOL=1.60
 - TCLL: ASCE 7-10; Pr=20.0 psf (roof live load: Lumber DOL=1.15 Plate DOL=1.15); Pg=20.0 psf (ground snow); Pf=15.4 psf (flat roof snow); Lumber DOL=1.15 Plate DOL=1.15); Category II; Exp B; Partially Exp.; Ct=1.1
 - Unbalanced snow loads have been considered for this design.
 - This truss has been designed for greater of min roof live load of 12.0 psf or 1.00 times flat roof load of 15.4 psf on overhangs non-concurrent with other live loads.
 - This truss has been designed for a 10.0 psf bottom chord live load nonconcurrent with any other live loads.
 - * This truss has been designed for a live load of 20.0psf on the bottom chord in all areas where a rectangle 3-6-0 tall by 2-0-0 wide will fit between the bottom chord and any other members, with BCDL = 10.0psf.
 - Provide mechanical connection (by others) of truss to bearing plate capable of withstanding 100 lb uplift at joint(s) except (jt=lb) 12=239.
 - This truss is designed in accordance with the 2015 International Residential Code sections R502.11.1 and R802.10.2 and referenced standard ANSI/TPI 1.
 - This truss design requires that a minimum of 7/16" structural wood sheathing be applied directly to the top chord and 1/2" gypsum sheetrock be applied directly to the bottom chord.

LOAD CASE(S) Standard

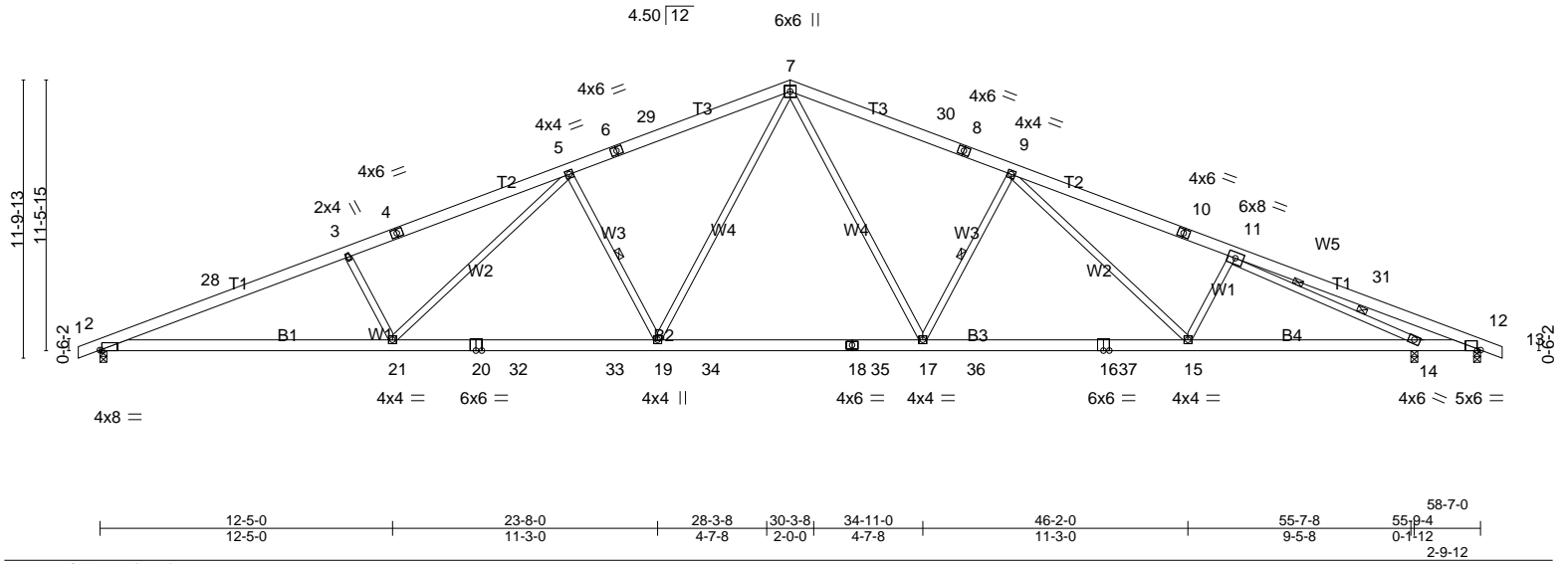
Job 1724685	Truss A4	Truss Type COMMON	Qty 1	Ply 1	Job Reference (optional)
----------------	-------------	----------------------	----------	----------	--------------------------

Builders FirstSource, Albemarle, NC 28001

Run: 8.200 s Nov 3 2018 Print: 8.200 s Nov 3 2018 MiTek Industries, Inc. Wed Apr 3 11:52:58 2019 Page 1
ID:p5X2pW7FEt9qX?fgBiNF0hyWrxu-ELPPNearXEqKWxL4YxzdZzEm91H?4VVtQL4BzUS6Z



Scale = 1:97.3
Camber = 5/16 in



LOADING (psf)		SPACING-		CSI.		DEFL.				PLATES		GRIP	
TCLL (roof)	20.0	Plate Grip DOL	2-0-0	TC	0.71	Vert(LL)	-0.38	19-21	>999	360	MT20	244/190	
Snow (Pf/Pg)	15.4/20.0	Lumber DOL	1.15	BC	0.45	Vert(CT)	-0.71	19-21	>955	240			
TCDL	10.0	Rep Stress Incr	YES	WB	0.97	Horz(CT)	0.17	12	n/a	n/a			
BCLL	0.0 *	Code IRC2015/TPI2014		Matrix-AS		Wind(LL)	0.14	19	>999	240			
BCDL	10.0												Weight: 403 lb FT = 20%

LUMBER-
TOP CHORD 2x6 SP No.2
BOT CHORD 2x6 SP DSS
WEBS 2x4 SP No.3 *Except*
W5: 2x4 SP No.2

BRACING-
TOP CHORD Structural wood sheathing directly applied.
BOT CHORD Rigid ceiling directly applied.
WEBS 1 Row at midpt 9-17, 5-19
2 Rows at 1/3 pts 11-14

MiTek recommends that Stabilizers and required cross bracing be installed during truss erection, in accordance with Stabilizer Installation guide.

REACTIONS. (lb/size) 2=2033/0-3-8 (min. 0-2-5), 12=120/0-3-8 (min. 0-1-8), 14=2088/0-3-8 (min. 0-2-6)
Max Horz 2=-88(LC 17)
Max Uplift 12=-30(LC 13)
Max Grav 2=2300(LC 2), 12=167(LC 35), 14=2352(LC 2)

FORCES. (lb) - Max. Comp./Max. Ten. - All forces 250 (lb) or less except when shown.
TOP CHORD 2-28=-5376/115, 3-28=-5324/138, 3-4=-5179/127, 4-5=-5096/163, 5-6=-3970/160,
6-29=-3908/171, 7-29=-3884/195, 7-30=-3764/190, 8-30=-3789/166, 8-9=-3851/155,
9-10=-4285/146, 10-11=-4362/110, 11-31=-902/57, 12-31=-1008/34
BOT CHORD 2-21=-35/4985, 20-21=0/4034, 20-32=0/4034, 32-33=0/4034, 19-33=0/4034,
19-34=0/3009, 18-34=0/3009, 18-35=0/3009, 17-35=0/3009, 17-36=0/3794, 36-37=0/3794,
16-37=0/3794, 15-16=0/3794, 14-15=-23/4022, 12-14=0/845
WEBS 7-17=0/1172, 9-17=-769/148, 9-15=0/449, 7-19=0/1394, 5-19=-1020/148, 5-21=0/1108,
3-21=-577/144, 11-14=-3544/64

- NOTES-**
- Unbalanced roof live loads have been considered for this design.
 - Wind: ASCE 7-10; Vult=115mph (3-second gust) Vasd=91mph; TCDL=6.0psf; BCDL=6.0psf; h=25ft; Cat. II; Exp B; enclosed; MWFRS (envelope) and C-C Exterior(2) -0-11-0 to 4-11-5, Interior(1) 4-11-5 to 29-3-8, Exterior(2) 29-3-8 to 35-1-13 zone; cantilever left and right exposed ;C-C for members and forces & MWFRS for reactions shown; Lumber DOL=1.60 plate grip DOL=1.60
 - TCLL: ASCE 7-10; Pr=20.0 psf (roof live load; Lumber DOL=1.15 Plate DOL=1.15); Pg=20.0 psf (ground snow); Pf=15.4 psf (flat roof snow); Lumber DOL=1.15 Plate DOL=1.15; Category II; Exp B; Partially Exp.; Ct=1.1
 - Unbalanced snow loads have been considered for this design.
 - This truss has been designed for greater of min roof live load of 12.0 psf or 1.00 times flat roof load of 15.4 psf on overhangs non-concurrent with other live loads.
 - This truss has been designed for a 10.0 psf bottom chord live load nonconcurrent with any other live loads.
 - * This truss has been designed for a live load of 20.0psf on the bottom chord in all areas where a rectangle 3-6-0 tall by 2-0-0 wide will fit between the bottom chord and any other members, with BCDL = 10.0psf.
 - Provide mechanical connection (by others) of truss to bearing plate capable of withstanding 100 lb uplift at joint(s) 12.
 - This truss is designed in accordance with the 2015 International Residential Code sections R502.11.1 and R802.10.2 and referenced standard ANSI/TPI 1.
 - This truss design requires that a minimum of 7/16" structural wood sheathing be applied directly to the top chord and 1/2" gypsum sheetrock be applied directly to the bottom chord.

LOAD CASE(S) Standard

Job 1724685	Truss A5	Truss Type COMMON	Qty 5	Ply 1	Job Reference (optional)
----------------	-------------	----------------------	----------	----------	--------------------------

Builders FirstSource, Albemarle, NC 28001

Run: 8.200 s Nov 3 2018 Print: 8.200 s Nov 3 2018 MiTek Industries, Inc. Wed Apr 3 11:52:59 2019 Page 1
ID:p5X2pW7FEt9qX?fgBiNF0hyWrxu-iYzna_bTIXyB8hHXdFSC9mVP?ZNDkdqehT4JcdzUS9Y

-0-11-0	10-6-8	19-11-0	29-3-8	38-8-0	48-0-8	58-7-0
0-11-0	10-6-8	9-4-8	9-4-8	9-4-8	9-4-8	10-6-8

Scale = 1:97.6
Camber = 3/8 in

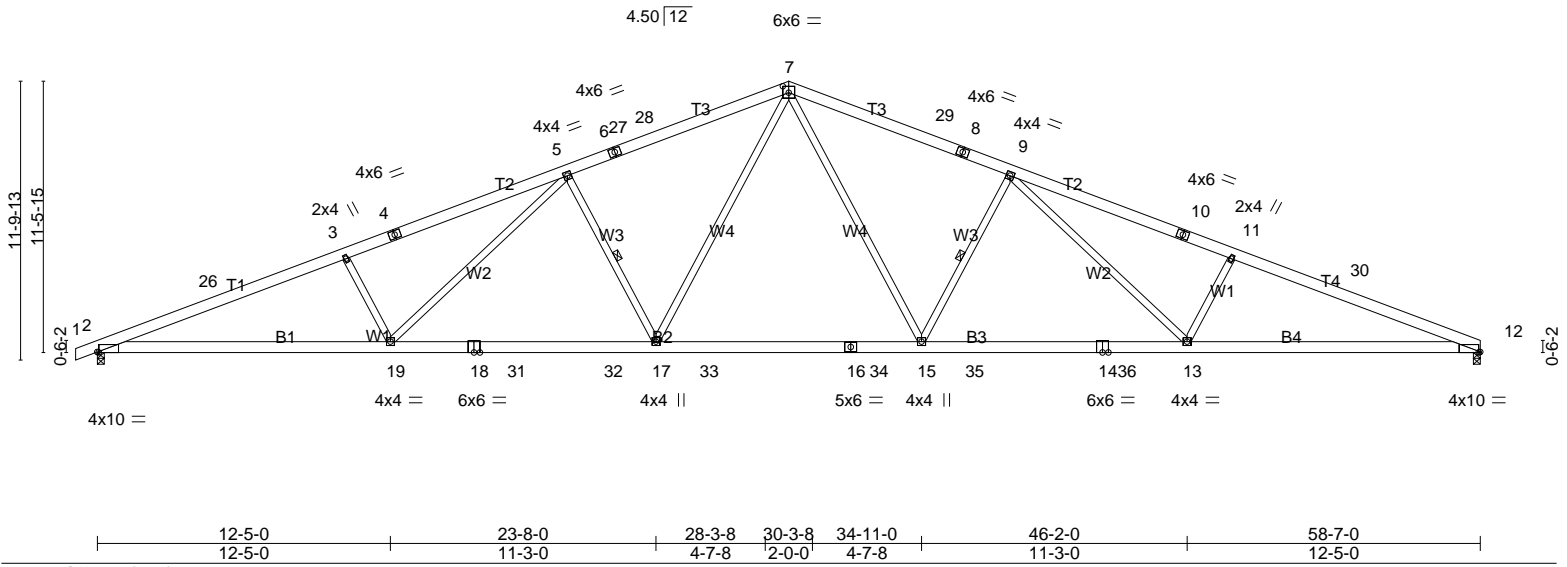


Plate Offsets (X,Y)-- [2:0-0-12,Edge], [7:0-3-0,0-3-4], [12:0-0-12,Edge]
--

LOADING (psf)	SPACING-	CSI.	DEFL.	PLATES	GRIP
TCLL (roof) 20.0	2-0-0	TC 0.74	in (loc) l/defl L/d	MT20	244/190
Snow (Pf/Pg) 15.4/20.0	Plate Grip DOL 1.15	BC 0.47	Vert(LL) -0.43 15-17 >999 360		
TCDL 10.0	Lumber DOL 1.15	WB 0.58	Vert(CT) -0.83 15-17 >846 240		
BCLL 0.0 *	Rep Stress Incr YES	Matrix-AS	Horz(CT) 0.19 12 n/a n/a		
BCDL 10.0	Code IRC2015/TPI2014		Wind(LL) 0.17 15-17 >999 240	Weight: 388 lb	FT = 20%

LUMBER-
TOP CHORD 2x6 SP No.2
BOT CHORD 2x6 SP DSS
WEBS 2x4 SP No.3

BRACING-
TOP CHORD Structural wood sheathing directly applied.
BOT CHORD Rigid ceiling directly applied.
WEBS 1 Row at midpt 9-15, 5-17

MiTek recommends that Stabilizers and required cross bracing be installed during truss erection, in accordance with Stabilizer Installation guide.

REACTIONS. (lb/size) 2=2121/0-3-8 (min. 0-2-7), 12=2073/0-3-8 (min. 0-2-6)
Max Horz 2=91(LC 16)
Max Grav 2=2399(LC 2), 12=2343(LC 2)

FORCES. (lb) - Max. Comp./Max. Ten. - All forces 250 (lb) or less except when shown.
TOP CHORD 2-26=-5647/117, 3-26=-5594/140, 3-4=-5450/128, 4-5=-5367/164, 5-6=-4247/161,
6-27=-4205/167, 27-28=-4185/172, 7-28=-4162/197, 7-29=-4162/201, 8-29=-4186/177,
8-9=-4247/166, 9-10=-5371/181, 10-11=-5454/145, 11-30=-5585/157, 12-30=-5651/135
BOT CHORD 2-19=-43/5238, 18-19=-4/4293, 18-31=-4/4293, 31-32=-4/4293, 17-32=-4/4293,
17-33=0/3267, 16-33=0/3267, 16-34=0/3267, 15-34=0/3267, 15-35=-1/4293,
35-36=-1/4293, 14-36=-1/4293, 13-14=-1/4293, 12-13=-61/5242
WEBS 7-15=0/1398, 9-15=-1019/149, 9-13=-6/1109, 11-13=-578/151, 7-17=0/1397,
5-17=-1017/148, 5-19=0/1104, 3-19=-576/144

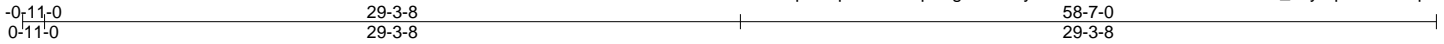
- NOTES-**
- Unbalanced roof live loads have been considered for this design.
 - Wind: ASCE 7-10; Vult=115mph (3-second gust) Vasd=91mph; TCCL=6.0psf; BCDL=6.0psf; h=25ft; Cat. II; Exp B; enclosed; MWFRS (envelope) and C-C Exterior(2) -0-11-0 to 4-11-5, Interior(1) 4-11-5 to 29-3-8, Exterior(2) 29-3-8 to 35-1-13 zone; cantilever left and right exposed; C-C for members and forces & MWFRS for reactions shown; Lumber DOL=1.60 plate grip DOL=1.60
 - TCCL: ASCE 7-10; Pr=20.0 psf (roof live load; Lumber DOL=1.15 Plate DOL=1.15); Pg=20.0 psf (ground snow); Pf=15.4 psf (flat roof snow); Lumber DOL=1.15 Plate DOL=1.15; Category II; Exp B; Partially Exp.; Ct=1.1
 - Unbalanced snow loads have been considered for this design.
 - This truss has been designed for greater of min roof live load of 12.0 psf or 1.00 times flat roof load of 15.4 psf on overhangs non-concurrent with other live loads.
 - This truss has been designed for a 10.0 psf bottom chord live load nonconcurrent with any other live loads.
 - * This truss has been designed for a live load of 20.0psf on the bottom chord in all areas where a rectangle 3-6-0 tall by 2-0-0 wide will fit between the bottom chord and any other members, with BCDL = 10.0psf.
 - This truss is designed in accordance with the 2015 International Residential Code sections R502.11.1 and R802.10.2 and referenced standard ANSI/TPI 1.
 - This truss design requires that a minimum of 7/16" structural wood sheathing be applied directly to the top chord and 1/2" gypsum sheetrock be applied directly to the bottom chord.

LOAD CASE(S) Standard

Job 1724685	Truss A6	Truss Type COMMON SUPPORTED GAB	Qty 1	Ply 1	Job Reference (optional)
----------------	-------------	------------------------------------	----------	----------	--------------------------

Builders FirstSource, Albemarle, NC 28001

Run: 8.200 s Nov 3 2018 Print: 8.200 s Nov 3 2018 MiTek Industries, Inc. Wed Apr 3 11:53:00 2019 Page 1
ID:p5X2pW7Ft9qX?fgBiNF0hyWrxu-AkX9oKc63r42lrskBzzRi_2kyzqrTB4nw7qs84zUS6X



Scale = 1:97.0

Plate Offsets (X,Y)-- [13:0-3-0,Edge], [18:0-3-0,Edge], [23:0-3-0,Edge], [41:0-2-8,0-1-4], [41:0-0-0,0-2-12], [42:0-1-12,0-0-0]

LOADING (psf)	SPACING-	CSI.	DEFL.	PLATES	GRIP
TCLL (roof) 20.0	2-0-0	TC 0.09	in (loc) l/defl L/d	MT20	244/190
Snow (Pf/Pg) 15.4/20.0	Plate Grip DOL 1.15	BC 0.06	Vert(LL) -0.00 34-35 >999 360		
TCDL 10.0	Lumber DOL 1.15	WB 0.13	Vert(CT) -0.01 34-35 >999 240		
BCLL 0.0 *	Rep Stress Incr YES	Matrix-S	Horz(CT) 0.01 34 n/a n/a		
BCDL 10.0	Code IRC2015/TPI2014		Wind(LL) 0.00 34-35 >999 240	Weight: 508 lb	FT = 20%

LUMBER-
TOP CHORD 2x6 SP No.2
BOT CHORD 2x6 SP No.2
OTHERS 2x4 SP No.3

BRACING-
TOP CHORD Structural wood sheathing directly applied or 6-0-0 oc purlins.
BOT CHORD Rigid ceiling directly applied or 10-0-0 oc bracing.
WEBS 1 Row at midpt 17-50, 16-51, 15-52, 14-53, 19-49, 20-47, 21-46, 22-45

MiTek recommends that Stabilizers and required cross bracing be installed during truss erection, in accordance with Stabilizer Installation guide.

REACTIONS. All bearings 58-7-0.
(lb) - Max Horz 2=90(LC 16)
Max Uplift All uplift 100 lb or less at joint(s) 51, 52, 53, 54, 55, 56, 58, 59, 60, 61, 62, 63, 47, 46, 45, 44, 43, 42, 40, 39, 38, 37, 36, 35, 2
Max Grav All reactions 250 lb or less at joint(s) 34, 50, 51, 52, 53, 54, 55, 56, 58, 59, 60, 61, 62, 49, 47, 46, 45, 44, 43, 42, 40, 39, 38, 37, 36, 2, 2 except 63=336(LC 34), 35=349(LC 35)

FORCES. (lb) - Max. Comp./Max. Ten. - All forces 250 (lb) or less except when shown.
TOP CHORD 15-16=-88/251, 16-17=-98/280, 17-18=-93/265, 18-19=-93/266, 19-20=-98/281, 20-21=-88/252

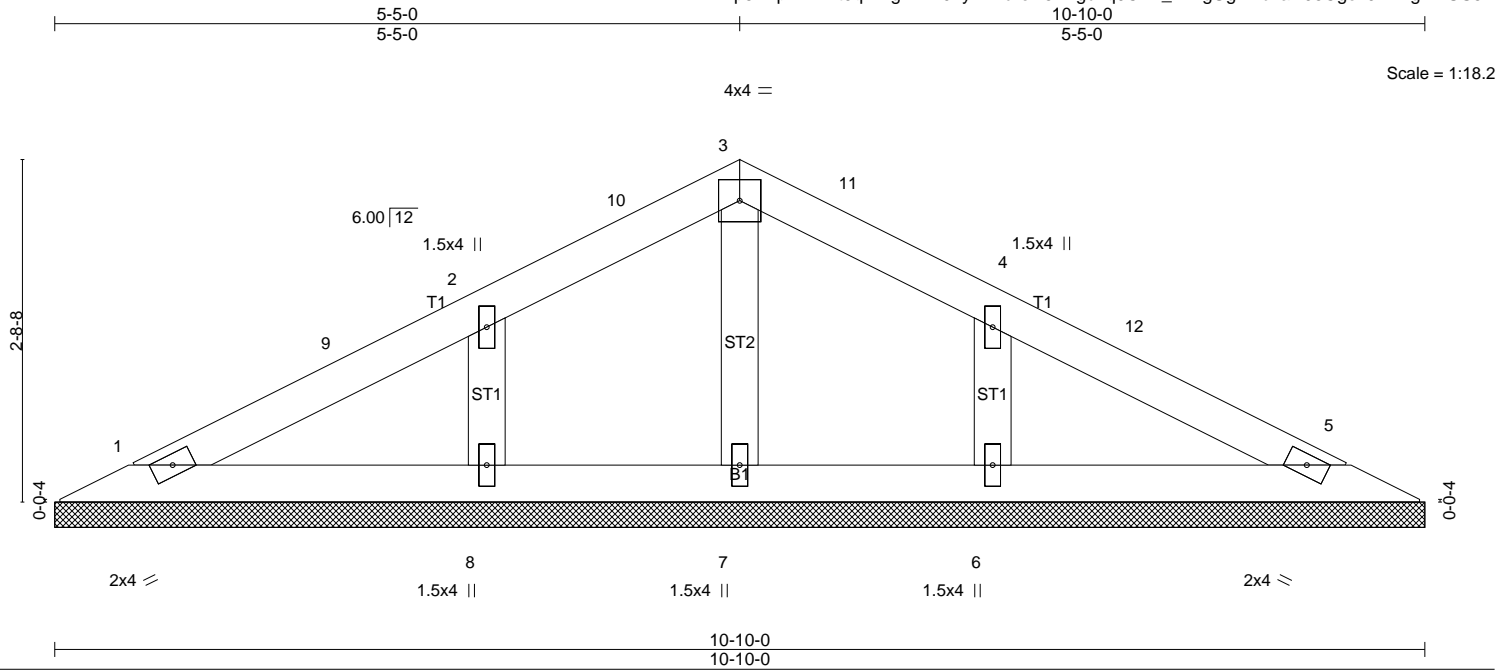
- NOTES-**
- Unbalanced roof live loads have been considered for this design.
 - Wind: ASCE 7-10; Vult=115mph (3-second gust) Vasd=91mph; TCDL=6.0psf; BCDL=6.0psf; h=25ft; Cat. II; Exp B; enclosed; MWFRS (envelope) and C-C Corner(3) -0-11-0 to 4-11-5, Exterior(2) 4-11-5 to 29-3-8, Corner(3) 29-3-8 to 35-1-13 zone; cantilever left and right exposed ;C-C for members and forces & MWFRS for reactions shown; Lumber DOL=1.60 plate grip DOL=1.60
 - Truss designed for wind loads in the plane of the truss only. For studs exposed to wind (normal to the face), see Standard Industry Gable End Details as applicable, or consult qualified building designer as per ANSI/TPI 1.
 - TCLL: ASCE 7-10; Pr=20.0 psf (roof live load: Lumber DOL=1.15 Plate DOL=1.15); Pg=20.0 psf (ground snow); Pf=15.4 psf (flat roof snow); Lumber DOL=1.15 Plate DOL=1.15); Category II; Exp B; Partially Exp.; Ct=1.1
 - Unbalanced snow loads have been considered for this design.
 - This truss has been designed for greater of min roof live load of 12.0 psf or 1.00 times flat roof load of 15.4 psf on overhangs non-concurrent with other live loads.
 - All plates are 2x4 MT20 unless otherwise indicated.
 - Gable studs spaced at 2-0-0 oc.
 - This truss has been designed for a 10.0 psf bottom chord live load nonconcurrent with any other live loads.
 - * This truss has been designed for a live load of 20.0psf on the bottom chord in all areas where a rectangle 3-6-0 tall by 2-0-0 wide will fit between the bottom chord and any other members.
 - Provide mechanical connection (by others) of truss to bearing plate capable of withstanding 100 lb uplift at joint(s) 51, 52, 53, 54, 55, 56, 58, 59, 60, 61, 62, 63, 47, 46, 45, 44, 43, 42, 40, 39, 38, 37, 36, 35, 2.
 - This truss is designed in accordance with the 2015 International Residential Code sections R502.11.1 and R802.10.2 and referenced standard ANSI/TPI 1.

LOAD CASE(S) Standard

Job 1724685	Truss V1	Truss Type GABLE	Qty 1	Ply 1	Job Reference (optional)
----------------	-------------	---------------------	----------	----------	--------------------------

Builders FirstSource, Albemarle, NC 28001

Run: 8.200 s Nov 3 2018 Print: 8.200 s Nov 3 2018 MiTek Industries, Inc. Wed Apr 3 11:53:01 2019 Page 1
ID:p5X2pW7FEt9qX?fgBiNF0hyWrxu-ew5Y?gdkq9CvN_RwlgUgEBbvaN95Cgox9nZPgWzUS6W



LOADING (psf)	SPACING-	CSI.	DEFL.	PLATES	GRIP
TCLL (roof) 20.0	2-0-0	TC 0.10	in (loc) l/defl L/d	MT20	244/190
Snow (Pf/Pg) 15.4/20.0	Plate Grip DOL 1.15	BC 0.06	Vert(LL) n/a - n/a 999		
TCDL 10.0	Lumber DOL 1.15	WB 0.04	Vert(CT) n/a - n/a 999		
BCLL 0.0 *	Rep Stress Incr YES	Matrix-S	Horz(CT) 0.00 5 n/a n/a		
BCDL 10.0	Code IRC2015/TPI2014			Weight: 38 lb	FT = 20%

LUMBER-
 TOP CHORD 2x4 SP No.2
 BOT CHORD 2x4 SP No.2
 OTHERS 2x4 SP No.3

BRACING-
 TOP CHORD
 BOT CHORD

Structural wood sheathing directly applied or 6-0-0 oc purlins.
 Rigid ceiling directly applied or 10-0-0 oc bracing.

MiTek recommends that Stabilizers and required cross bracing be installed during truss erection, in accordance with Stabilizer Installation guide.

REACTIONS. All bearings 10-10-0.
 (lb) - Max Horz 1=20(LC 13)
 Max Uplift All uplift 100 lb or less at joint(s) 8, 6
 Max Grav All reactions 250 lb or less at joint(s) 1, 5, 7, 8, 6

FORCES. (lb) - Max. Comp./Max. Ten. - All forces 250 (lb) or less except when shown.

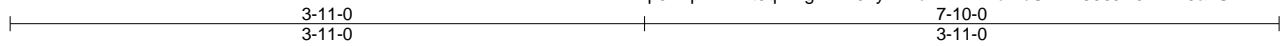
- NOTES-**
- Unbalanced roof live loads have been considered for this design.
 - Wind: ASCE 7-10; Vult=115mph (3-second gust) Vasd=91mph; TCCL=6.0psf; BCDL=6.0psf; h=25ft; Cat. II; Exp B; enclosed; MWFRS (envelope) and C-C Exterior(2) 0-7-9 to 3-5-0, Interior(1) 3-5-0 to 5-5-0, Exterior(2) 5-5-0 to 8-5-0 zone; cantilever left and right exposed; C-C for members and forces & MWFRS for reactions shown; Lumber DOL=1.60 plate grip DOL=1.60
 - TCCL: ASCE 7-10; Pr=20.0 psf (roof live load: Lumber DOL=1.15 Plate DOL=1.15); Pg=20.0 psf (ground snow); Pf=15.4 psf (flat roof snow); Lumber DOL=1.15 Plate DOL=1.15; Category II; Exp B; Partially Exp.; Ct=1.1
 - Unbalanced snow loads have been considered for this design.
 - Gable requires continuous bottom chord bearing.
 - This truss has been designed for a 10.0 psf bottom chord live load nonconcurrent with any other live loads.
 - * This truss has been designed for a live load of 20.0psf on the bottom chord in all areas where a rectangle 3-6-0 tall by 2-0-0 wide will fit between the bottom chord and any other members.
 - Provide mechanical connection (by others) of truss to bearing plate capable of withstanding 100 lb uplift at joint(s) 8, 6.
 - This truss is designed in accordance with the 2015 International Residential Code sections R502.11.1 and R802.10.2 and referenced standard ANSI/TPI 1.

LOAD CASE(S) Standard

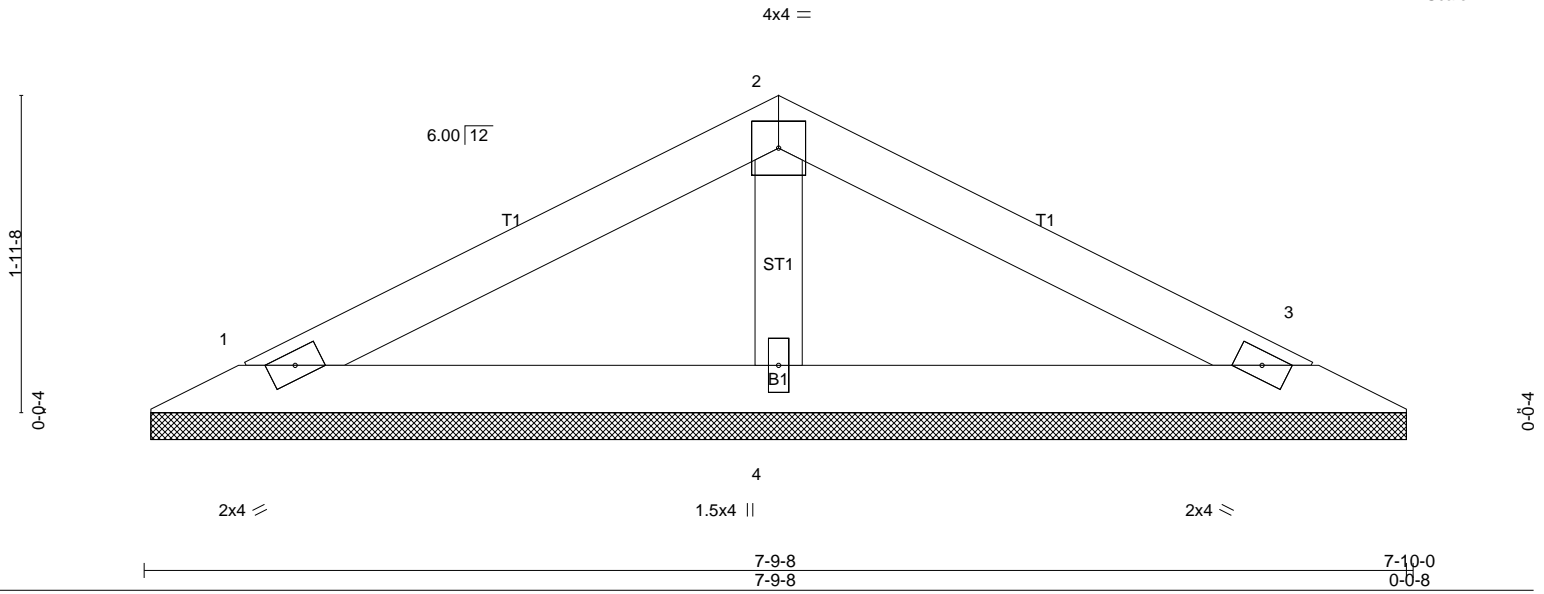
Job 1724685	Truss V2	Truss Type Valley	Qty 1	Ply 1	Job Reference (optional)
----------------	-------------	----------------------	----------	----------	--------------------------

Builders FirstSource, Albemarle, NC 28001

Run: 8.200 s Nov 3 2018 Print: 8.200 s Nov 3 2018 MiTek Industries, Inc. Wed Apr 3 11:53:02 2019 Page 1
ID:p5X2pW7FEt9qX?fgBiNF0hyWrXu-77fwD?dMbSKm?806JN0vnP73anUZx7?4NRJzDyzUS6V



Scale = 1:14.2



LOADING (psf)	SPACING-	CSI.	DEFL.	PLATES	GRIP
TCLL (roof) 20.0	2-0-0	TC 0.14	in (loc) l/defl L/d	MT20	244/190
Snow (Pf/Pg) 15.4/20.0	Plate Grip DOL 1.15	BC 0.11	Vert(LL) n/a - n/a 999		
TCDL 10.0	Lumber DOL 1.15	WB 0.04	Vert(CT) n/a - n/a 999		
BCLL 0.0 *	Rep Stress Incr YES	Matrix-S	Horz(CT) 0.00 3 n/a n/a		
BCDL 10.0	Code IRC2015/TPI2014			Weight: 24 lb	FT = 20%

LUMBER-
TOP CHORD 2x4 SP No.2
BOT CHORD 2x4 SP No.2
OTHERS 2x4 SP No.3

BRACING-
TOP CHORD
BOT CHORD

Structural wood sheathing directly applied or 6-0-0 oc purlins.
Rigid ceiling directly applied or 10-0-0 oc bracing.

MiTek recommends that Stabilizers and required cross bracing be installed during truss erection, in accordance with Stabilizer Installation guide.

REACTIONS. (lb/size) 1=105/7-9-0 (min. 0-1-8), 3=105/7-9-0 (min. 0-1-8), 4=255/7-9-0 (min. 0-1-8)
Max Horz 1=14(LC 13)
Max Uplift 3=-1(LC 17)
Max Grav 1=121(LC 33), 3=121(LC 34), 4=286(LC 2)

FORCES. (lb) - Max. Comp./Max. Ten. - All forces 250 (lb) or less except when shown.

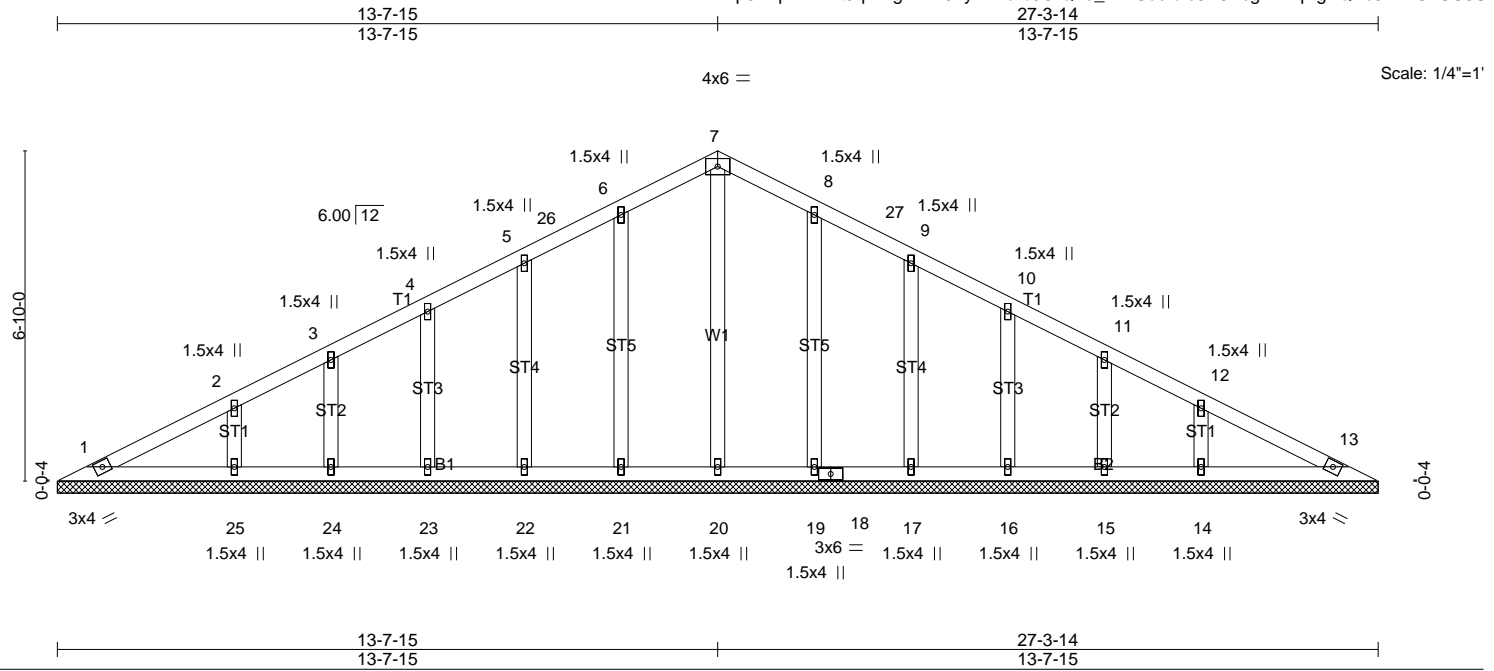
- NOTES-**
- Unbalanced roof live loads have been considered for this design.
 - Wind: ASCE 7-10; Vult=115mph (3-second gust) Vasd=91mph; TCCL=6.0psf; BCDL=6.0psf; h=25ft; Cat. II; Exp B; enclosed; MWFRS (envelope) and C-C Exterior(2) zone; cantilever left and right exposed ;C-C for members and forces & MWFRS for reactions shown; Lumber DOL=1.60 plate grip DOL=1.60
 - TCCL: ASCE 7-10; Pr=20.0 psf (roof live load: Lumber DOL=1.15 Plate DOL=1.15); Pg=20.0 psf (ground snow); Pf=15.4 psf (flat roof snow); Lumber DOL=1.15 Plate DOL=1.15); Category II; Exp B; Partially Exp.; Ct=1.1
 - Unbalanced snow loads have been considered for this design.
 - Gable requires continuous bottom chord bearing.
 - This truss has been designed for a 10.0 psf bottom chord live load nonconcurrent with any other live loads.
 - * This truss has been designed for a live load of 20.0psf on the bottom chord in all areas where a rectangle 3-6-0 tall by 2-0-0 wide will fit between the bottom chord and any other members.
 - Provide mechanical connection (by others) of truss to bearing plate capable of withstanding 100 lb uplift at joint(s) 3.
 - This truss is designed in accordance with the 2015 International Residential Code sections R502.11.1 and R802.10.2 and referenced standard ANSI/TPI 1.

LOAD CASE(S) Standard

Job 1724685	Truss V3	Truss Type GABLE	Qty 1	Ply 1	Job Reference (optional)
----------------	-------------	---------------------	----------	----------	--------------------------

Builders FirstSource, Albemarle, NC 28001

Run: 8.200 s Nov 3 2018 Print: 8.200 s Nov 3 2018 MiTek Industries, Inc. Wed Apr 3 11:53:03 2019 Page 1
ID:p5X2pW7FEt9qX?fgBiNF0hyWrxu-bjCjQLLe_MmSdclbIs5X8KcgF?AqPgZQE52WIOzUS6U



LOADING (psf)	SPACING-	CSI.	DEFL.	PLATES	GRIP
TCLL (roof) 20.0	2-0-0	TC 0.10	in (loc) l/defl L/d	MT20	244/190
Snow (Pf/Pg) 15.4/20.0	Plate Grip DOL 1.15	BC 0.07	Vert(LL) n/a - n/a 999		
TCDL 10.0	Lumber DOL 1.15	WB 0.09	Vert(CT) n/a - n/a 999		
BCDL 0.0 *	Rep Stress Incr YES	Matrix-S	Horz(CT) 0.00 13 n/a n/a		
BCDL 10.0	Code IRC2015/TPI2014			Weight: 142 lb	FT = 20%

LUMBER-
 TOP CHORD 2x4 SP No.2
 BOT CHORD 2x4 SP No.2
 WEBS 2x4 SP No.3
 OTHERS 2x4 SP No.3

BRACING-
 TOP CHORD Structural wood sheathing directly applied or 6-0-0 oc purlins.
 BOT CHORD Rigid ceiling directly applied or 10-0-0 oc bracing.

MiTek recommends that Stabilizers and required cross bracing be installed during truss erection, in accordance with Stabilizer Installation guide.

REACTIONS. All bearings 27-3-14.
 (lb) - Max Horz 1=-55(LC 12)
 Max Uplift All uplift 100 lb or less at joint(s) 21, 22, 23, 24, 25, 19, 17, 16, 15, 14
 Max Grav All reactions 250 lb or less at joint(s) 1, 13, 21, 22, 23, 24, 25, 19, 17, 16, 15, 14, 20

FORCES. (lb) - Max. Comp./Max. Ten. - All forces 250 (lb) or less except when shown.

- NOTES-**
- Unbalanced roof live loads have been considered for this design.
 - Wind: ASCE 7-10; Vult=115mph (3-second gust) Vasd=91mph; TCDL=6.0psf; BCDL=6.0psf; h=25ft; Cat. II; Exp B; enclosed; MWFRS (envelope) and C-C Exterior(2) 0-7-9 to 3-7-15, Interior(1) 3-7-15 to 13-7-15, Exterior(2) 13-7-15 to 16-7-15 zone; cantilever left and right exposed; C-C for members and forces & MWFRS for reactions shown; Lumber DOL=1.60 plate grip DOL=1.60
 - TCLL: ASCE 7-10; Pr=20.0 psf (roof live load: Lumber DOL=1.15 Plate DOL=1.15); Pg=20.0 psf (ground snow); Pf=15.4 psf (flat roof snow); Lumber DOL=1.15 Plate DOL=1.15; Category II; Exp B; Partially Exp.; Ct=1.1
 - Unbalanced snow loads have been considered for this design.
 - Gable requires continuous bottom chord bearing.
 - This truss has been designed for a 10.0 psf bottom chord live load nonconcurrent with any other live loads.
 - * This truss has been designed for a live load of 20.0psf on the bottom chord in all areas where a rectangle 3-6-0 tall by 2-0-0 wide will fit between the bottom chord and any other members.
 - Provide mechanical connection (by others) of truss to bearing plate capable of withstanding 100 lb uplift at joint(s) 21, 22, 23, 24, 25, 19, 17, 16, 15, 14.
 - This truss is designed in accordance with the 2015 International Residential Code sections R502.11.1 and R802.10.2 and referenced standard ANSI/TPI 1.

LOAD CASE(S) Standard

Job 1724685	Truss V4	Truss Type Valley	Qty 1	Ply 1	Job Reference (optional)
----------------	-------------	----------------------	----------	----------	--------------------------

Builders FirstSource, Albemarle, NC 28001

Run: 8.200 s Nov 3 2018 Print: 8.200 s Nov 3 2018 MiTek Industries, Inc. Wed Apr 3 11:53:05 2019 Page 1
ID:p5X2pW7FEt9qX?fgBiNF0hyWrXu-XiK2r1gEtNiKsckh_WZcP1la4_Vz8TMW4PXdpHzUS6S

12-1-15
12-1-15
24-3-14
12-1-15

Scale = 1:40.1

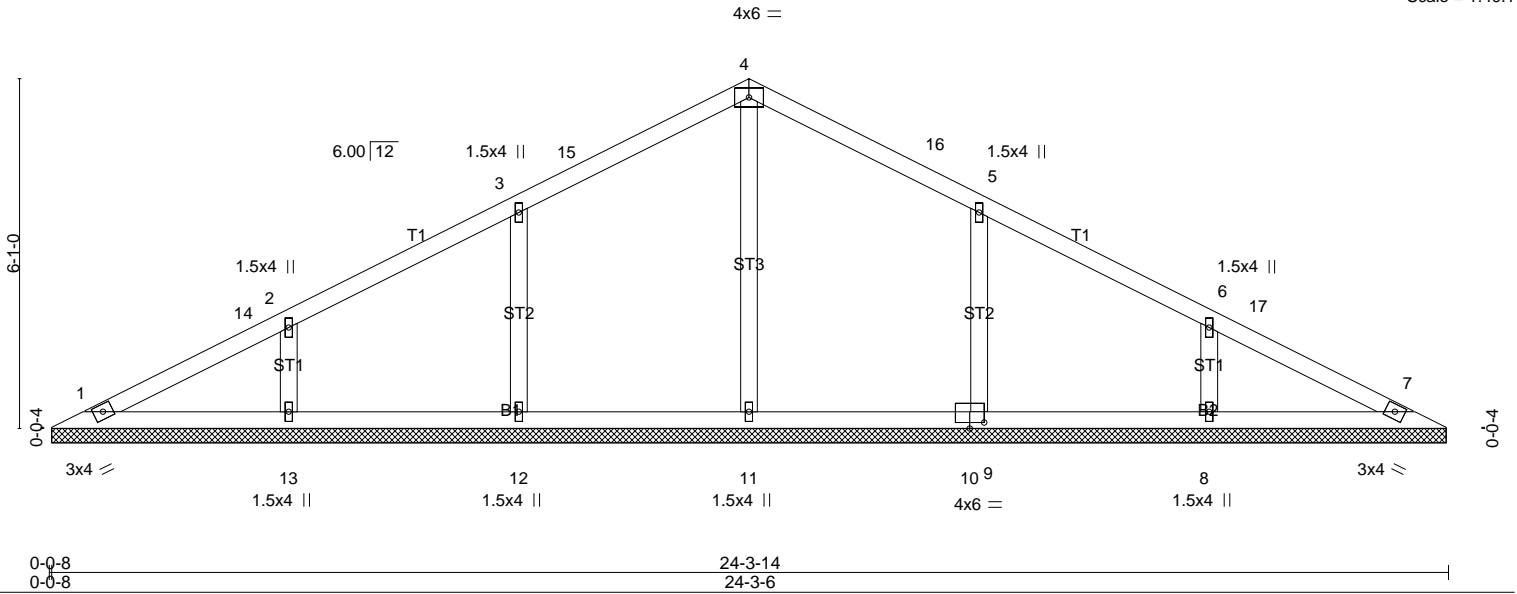


Plate Offsets (X,Y)-- [9:0-1-12,0-0-0], [10:0-3-0,0-1-4], [10:0-0-0,0-1-12]

LOADING (psf)	SPACING-	CSI.	DEFL.	PLATES	GRIP
TCLL (roof) 20.0	2-0-0	TC 0.19	in (loc) l/defl L/d	MT20	244/190
Snow (Pf/Pg) 15.4/20.0	Plate Grip DOL 1.15	BC 0.19	Vert(LL) n/a - n/a 999		
TCDL 10.0	Lumber DOL 1.15	WB 0.13	Vert(CT) n/a - n/a 999		
BCLL 0.0 *	Rep Stress Incr YES	Matrix-S	Horz(CT) 0.00 7 n/a n/a		
BCDL 10.0	Code IRC2015/TPI2014			Weight: 98 lb	FT = 20%

LUMBER-
TOP CHORD 2x4 SP No.2
BOT CHORD 2x4 SP No.2
OTHERS 2x4 SP No.3

BRACING-
TOP CHORD Structural wood sheathing directly applied or 6-0-0 oc purlins.
BOT CHORD Rigid ceiling directly applied or 10-0-0 oc bracing.

MiTek recommends that Stabilizers and required cross bracing be installed during truss erection, in accordance with Stabilizer Installation guide.

REACTIONS. All bearings 24-2-14.
(lb) - Max Horz 1=-49(LC 12)
Max Uplift All uplift 100 lb or less at joint(s) 12, 13, 9, 8
Max Grav All reactions 250 lb or less at joint(s) 1, 7 except 11=385(LC 29), 12=356(LC 29), 13=333(LC 2), 9=351(LC 30), 8=333(LC 2)

FORCES. (lb) - Max. Comp./Max. Ten. - All forces 250 (lb) or less except when shown.
WEBS 3-12=-259/91, 5-9=-259/91

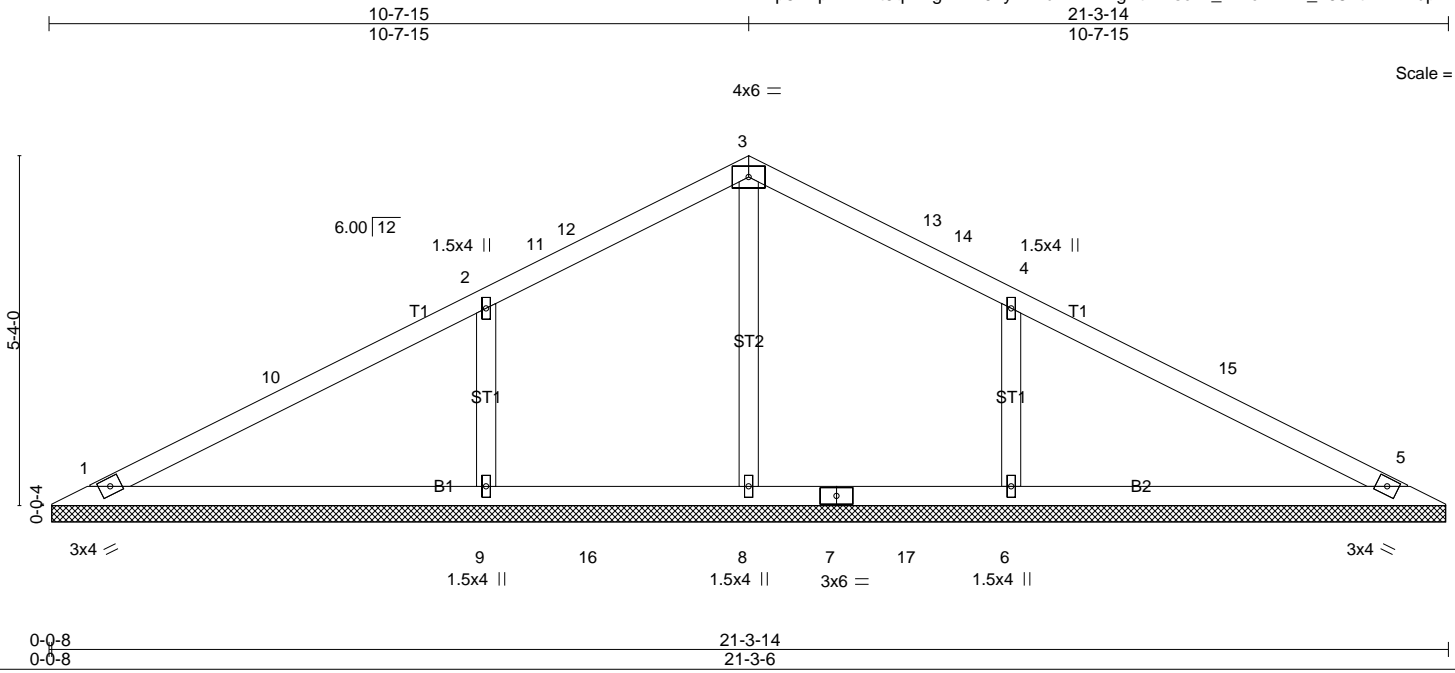
- NOTES-**
- Unbalanced roof live loads have been considered for this design.
 - Wind: ASCE 7-10; Vult=115mph (3-second gust) Vasd=91mph; TCCL=6.0psf; BCDL=6.0psf; h=25ft; Cat. II; Exp B; enclosed; MWFRS (envelope) and C-C Exterior(2) 0-7-9 to 3-7-9, Interior(1) 3-7-9 to 12-1-15, Exterior(2) 12-1-15 to 15-1-15 zone; cantilever left and right exposed; C-C for members and forces & MWFRS for reactions shown; Lumber DOL=1.60 plate grip DOL=1.60
 - TCCL: ASCE 7-10; Pr=20.0 psf (roof live load: Lumber DOL=1.15 Plate DOL=1.15); Pg=20.0 psf (ground snow); Pf=15.4 psf (flat roof snow: Lumber DOL=1.15 Plate DOL=1.15); Category II; Exp B; Partially Exp.; Ct=1.1
 - Unbalanced snow loads have been considered for this design.
 - Gable requires continuous bottom chord bearing.
 - This truss has been designed for a 10.0 psf bottom chord live load nonconcurrent with any other live loads.
 - * This truss has been designed for a live load of 20.0psf on the bottom chord in all areas where a rectangle 3-6-0 tall by 2-0-0 wide will fit between the bottom chord and any other members, with BCDL = 10.0psf.
 - Provide mechanical connection (by others) of truss to bearing plate capable of withstanding 100 lb uplift at joint(s) 12, 13, 9, 8.
 - This truss is designed in accordance with the 2015 International Residential Code sections R502.11.1 and R802.10.2 and referenced standard ANSI/TPI 1.

LOAD CASE(S) Standard

Job 1724685	Truss V5	Truss Type Valley	Qty 1	Ply 1	Job Reference (optional)
----------------	-------------	----------------------	----------	----------	--------------------------

Builders FirstSource, Albemarle, NC 28001

Run: 8.200 s Nov 3 2018 Print: 8.200 s Nov 3 2018 MiTek Industries, Inc. Wed Apr 3 11:53:05 2019 Page 1
ID:p5X2pW7FEt9qX?fgBiNF0hyWrxu-XiK2r1gEtNiKsckh_WZcP1lVk_TJ8tW4PXdpHzUS6S



0-0-8 0-0-8	21-3-14 21-3-6				
LOADING (psf)	SPACING-	CSI.	DEFL.	PLATES	GRIP
TCLL (roof) 20.0	2-0-0	TC 0.47	in (loc) l/defl L/d	MT20	244/190
Snow (Pf/Pg) 15.4/20.0	Plate Grip DOL 1.15	BC 0.30	Vert(LL) n/a - n/a 999		
TCDL 10.0	Lumber DOL 1.15	WB 0.09	Vert(CT) n/a - n/a 999		
BCDL 0.0 *	Rep Stress Incr YES	Matrix-S	Horz(CT) 0.00 5 n/a n/a		
BCDL 10.0	Code IRC2015/TPI2014			Weight: 80 lb	FT = 20%

LUMBER-
 TOP CHORD 2x4 SP No.2
 BOT CHORD 2x4 SP No.2
 OTHERS 2x4 SP No.3

BRACING-
 TOP CHORD Structural wood sheathing directly applied or 6-0-0 oc purlins.
 BOT CHORD Rigid ceiling directly applied or 10-0-0 oc bracing.

MiTek recommends that Stabilizers and required cross bracing be installed during truss erection, in accordance with Stabilizer Installation guide.

REACTIONS. All bearings 21-2-14.
 (lb) - Max Horz 1=42(LC 15)
 Max Uplift All uplift 100 lb or less at joint(s) 9, 6
 Max Grav All reactions 250 lb or less at joint(s) 1, 5 except 8=278(LC 32), 9=515(LC 33), 6=515(LC 34)

FORCES. (lb) - Max. Comp./Max. Ten. - All forces 250 (lb) or less except when shown.
 WEBS 2-9=-375/121, 4-6=-375/121

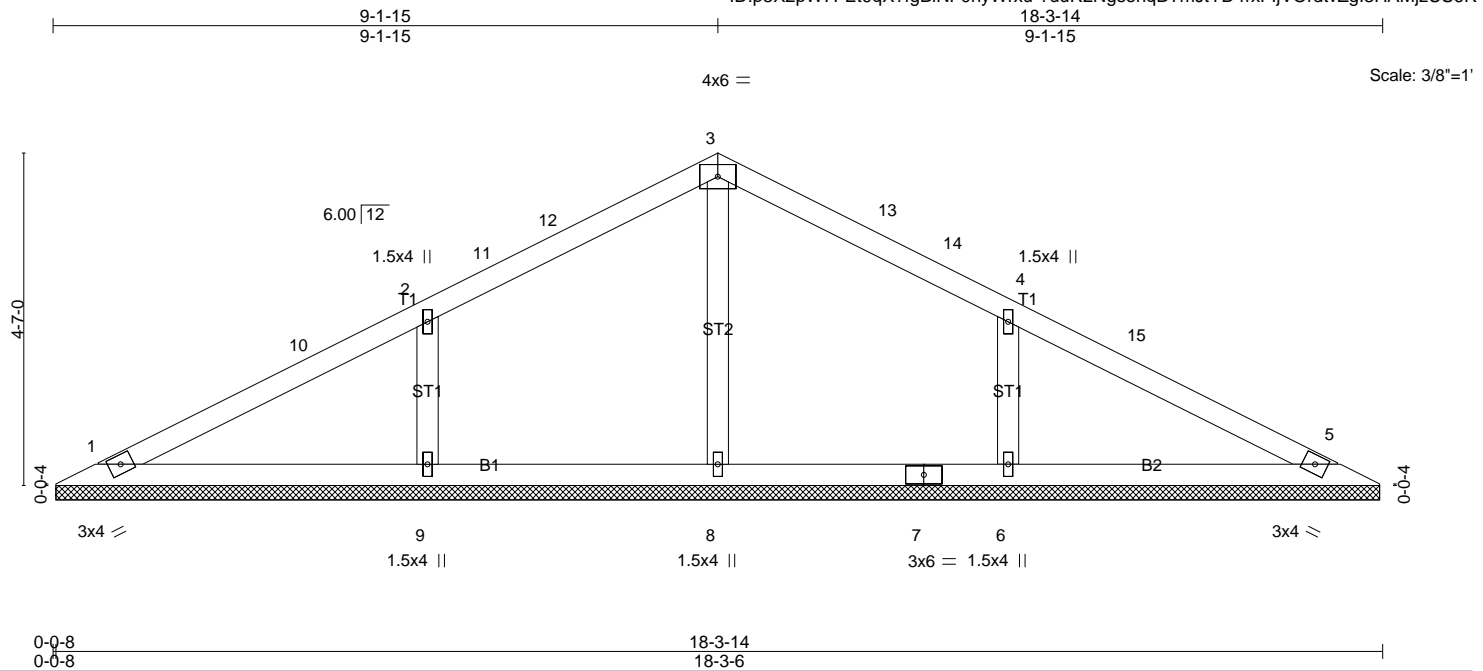
- NOTES-**
- Unbalanced roof live loads have been considered for this design.
 - Wind: ASCE 7-10; Vult=115mph (3-second gust) Vasd=91mph; TCDL=6.0psf; BCDL=6.0psf; h=25ft; Cat. II; Exp B; enclosed; MWFRS (envelope) and C-C Exterior(2) 0-7-9 to 3-7-9, Interior(1) 3-7-9 to 10-7-15, Exterior(2) 10-7-15 to 13-7-15 zone; cantilever left and right exposed; C-C for members and forces & MWFRS for reactions shown; Lumber DOL=1.60 plate grip DOL=1.60
 - TCLL: ASCE 7-10; Pr=20.0 psf (roof live load: Lumber DOL=1.15 Plate DOL=1.15); Pg=20.0 psf (ground snow); Pf=15.4 psf (flat roof snow); Lumber DOL=1.15 Plate DOL=1.15; Category II; Exp B; Partially Exp.; Ct=1.1
 - Unbalanced snow loads have been considered for this design.
 - Gable requires continuous bottom chord bearing.
 - This truss has been designed for a 10.0 psf bottom chord live load nonconcurrent with any other live loads.
 - * This truss has been designed for a live load of 20.0psf on the bottom chord in all areas where a rectangle 3-6-0 tall by 2-0-0 wide will fit between the bottom chord and any other members, with BCDL = 10.0psf.
 - Provide mechanical connection (by others) of truss to bearing plate capable of withstanding 100 lb uplift at joint(s) 9, 6.
 - This truss is designed in accordance with the 2015 International Residential Code sections R502.11.1 and R802.10.2 and referenced standard ANSI/TPI 1.

LOAD CASE(S) Standard

Job 1724685	Truss V6	Truss Type Valley	Qty 1	Ply 1	Job Reference (optional)
----------------	-------------	----------------------	----------	----------	--------------------------

Builders FirstSource, Albemarle, NC 28001

Run: 8:200 s Nov 3 2018 Print: 8:200 s Nov 3 2018 MiTek Industries, Inc. Wed Apr 3 11:53:06 2019 Page 1
ID:p5X2pW7FEt9qX?fgBiNF0hyWrXu-?uuR2NgsehqBTmJtYD4rxFjJVOrdtvZgl3HAMjzUS6R



0-0-8 0-0-8	18-3-14 18-3-6				
LOADING (psf)	SPACING-	CSI.	DEFL.	PLATES	GRIP
TCLL (roof) 20.0	2-0-0	TC 0.28	in (loc) l/defl L/d	MT20	244/190
Snow (Pf/Pg) 15.4/20.0	Plate Grip DOL 1.15	BC 0.16	Vert(LL) n/a - n/a 999		
TCDL 10.0	Lumber DOL 1.15	WB 0.07	Vert(CT) n/a - n/a 999		
BCDL 0.0 *	Rep Stress Incr YES	Matrix-S	Horz(CT) 0.00 5 n/a n/a		
BCDL 10.0	Code IRC2015/TPI2014			Weight: 67 lb	FT = 20%

LUMBER-
TOP CHORD 2x4 SP No.2
BOT CHORD 2x4 SP No.2
OTHERS 2x4 SP No.3

BRACING-
TOP CHORD Structural wood sheathing directly applied or 6-0-0 oc purlins.
BOT CHORD Rigid ceiling directly applied or 10-0-0 oc bracing.

MiTek recommends that Stabilizers and required cross bracing be installed during truss erection, in accordance with Stabilizer Installation guide.

REACTIONS. All bearings 18-2-14.
(lb) - Max Horz 1=-36(LC 14)
Max Uplift All uplift 100 lb or less at joint(s) 9, 6
Max Grav All reactions 250 lb or less at joint(s) 1, 5, 8 except 9=413(LC 33), 6=413(LC 34)

FORCES. (lb) - Max. Comp./Max. Ten. - All forces 250 (lb) or less except when shown.
WEBS 2-9=-306/103, 4-6=-306/103

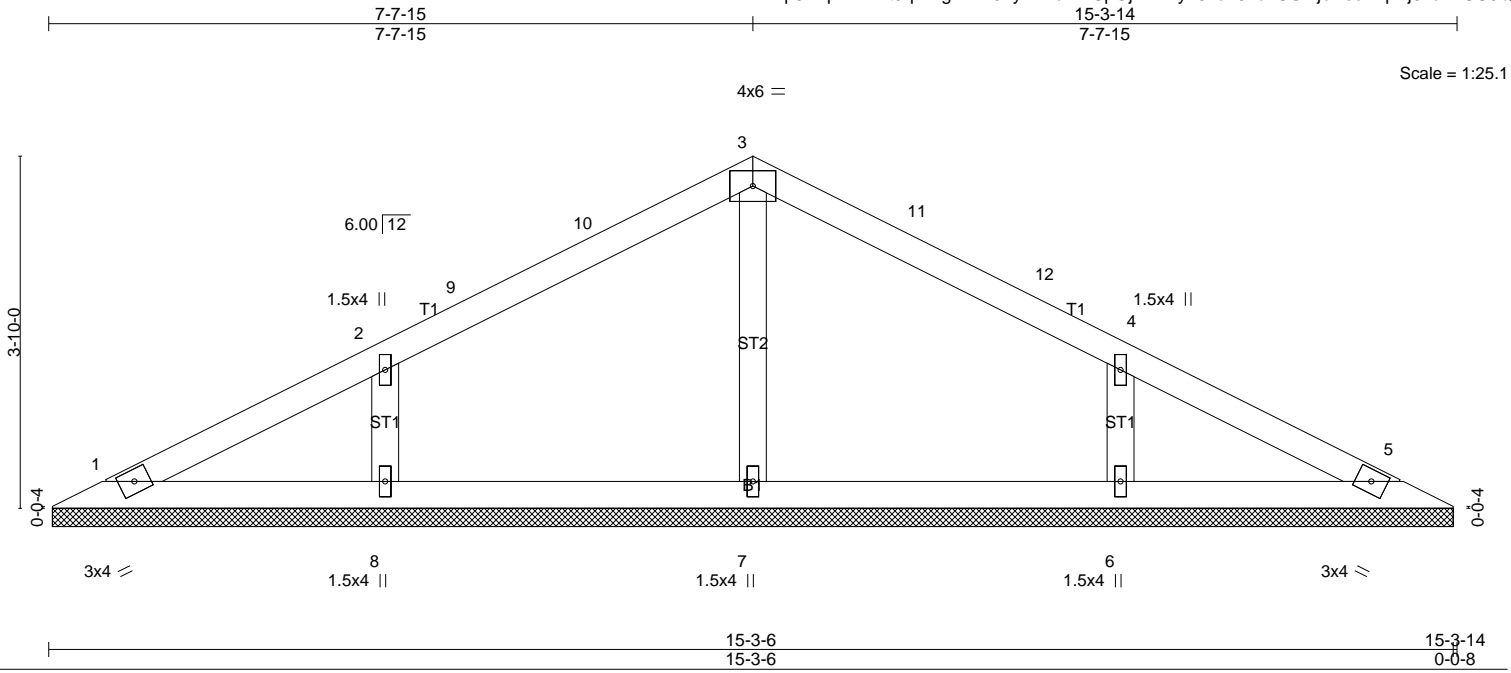
- NOTES-**
- Unbalanced roof live loads have been considered for this design.
 - Wind: ASCE 7-10; Vult=115mph (3-second gust) Vasd=91mph; TCDL=6.0psf; BCDL=6.0psf; h=25ft; Cat. II; Exp B; enclosed; MWFRS (envelope) and C-C Exterior(2) 0-7-9 to 3-7-9, Interior(1) 3-7-9 to 9-1-15, Exterior(2) 9-1-15 to 12-1-15 zone; cantilever left and right exposed; C-C for members and forces & MWFRS for reactions shown; Lumber DOL=1.60 plate grip DOL=1.60
 - TCLL: ASCE 7-10; Pr=20.0 psf (roof live load: Lumber DOL=1.15 Plate DOL=1.15); Pg=20.0 psf (ground snow); Pf=15.4 psf (flat roof snow): Lumber DOL=1.15 Plate DOL=1.15); Category II; Exp B; Partially Exp.; Ct=1.1
 - Unbalanced snow loads have been considered for this design.
 - Gable requires continuous bottom chord bearing.
 - This truss has been designed for a 10.0 psf bottom chord live load nonconcurrent with any other live loads.
 - * This truss has been designed for a live load of 20.0psf on the bottom chord in all areas where a rectangle 3-6-0 tall by 2-0-0 wide will fit between the bottom chord and any other members.
 - Provide mechanical connection (by others) of truss to bearing plate capable of withstanding 100 lb uplift at joint(s) 9, 6.
 - This truss is designed in accordance with the 2015 International Residential Code sections R502.11.1 and R802.10.2 and referenced standard ANSI/TPI 1.

LOAD CASE(S) Standard

Job 1724685	Truss V7	Truss Type Valley	Qty 1	Ply 1	Job Reference (optional)
----------------	-------------	----------------------	----------	----------	--------------------------

Builders FirstSource, Albemarle, NC 28001

Run: 8.200 s Nov 3 2018 Print: 8.200 s Nov 3 2018 MiTek Industries, Inc. Wed Apr 3 11:53:07 2019 Page 1
ID:p5X2pW7Ft9qX?fgBiNF0hyWrXu-T4SpGjhVP?y25vu45xb4USrjjoBecNxpXj0kuAzUS6Q



LOADING (psf)	SPACING-	CSI.	DEFL.	PLATES	GRIP
TCLL (roof) 20.0	2-0-0	TC 0.18	in (loc) l/defl L/d	MT20	244/190
Snow (Pf/Pg) 15.4/20.0	Plate Grip DOL 1.15	BC 0.11	Vert(LL) n/a - n/a 999		
TCDL 10.0	Lumber DOL 1.15	WB 0.06	Vert(CT) n/a - n/a 999		
BCDL 0.0 *	Rep Stress Incr YES	Matrix-S	Horz(CT) 0.00 5 n/a n/a		
BCDL 10.0	Code IRC2015/TPI2014			Weight: 55 lb	FT = 20%

LUMBER-
 TOP CHORD 2x4 SP No.2
 BOT CHORD 2x4 SP No.2
 OTHERS 2x4 SP No.3

BRACING-
 TOP CHORD Structural wood sheathing directly applied or 6'-0-0 oc purlins.
 BOT CHORD Rigid ceiling directly applied or 10'-0-0 oc bracing.

MiTek recommends that Stabilizers and required cross bracing be installed during truss erection, in accordance with Stabilizer Installation guide.

REACTIONS. All bearings 15-2-14.
 (lb) - Max Horz 1=30(LC 13)
 Max Uplift All uplift 100 lb or less at joint(s) 8, 6
 Max Grav All reactions 250 lb or less at joint(s) 1, 5 except 7=277(LC 2), 8=333(LC 33), 6=333(LC 34)

FORCES. (lb) - Max. Comp./Max. Ten. - All forces 250 (lb) or less except when shown.
 WEBS 2-8=-253/94, 4-6=-253/94

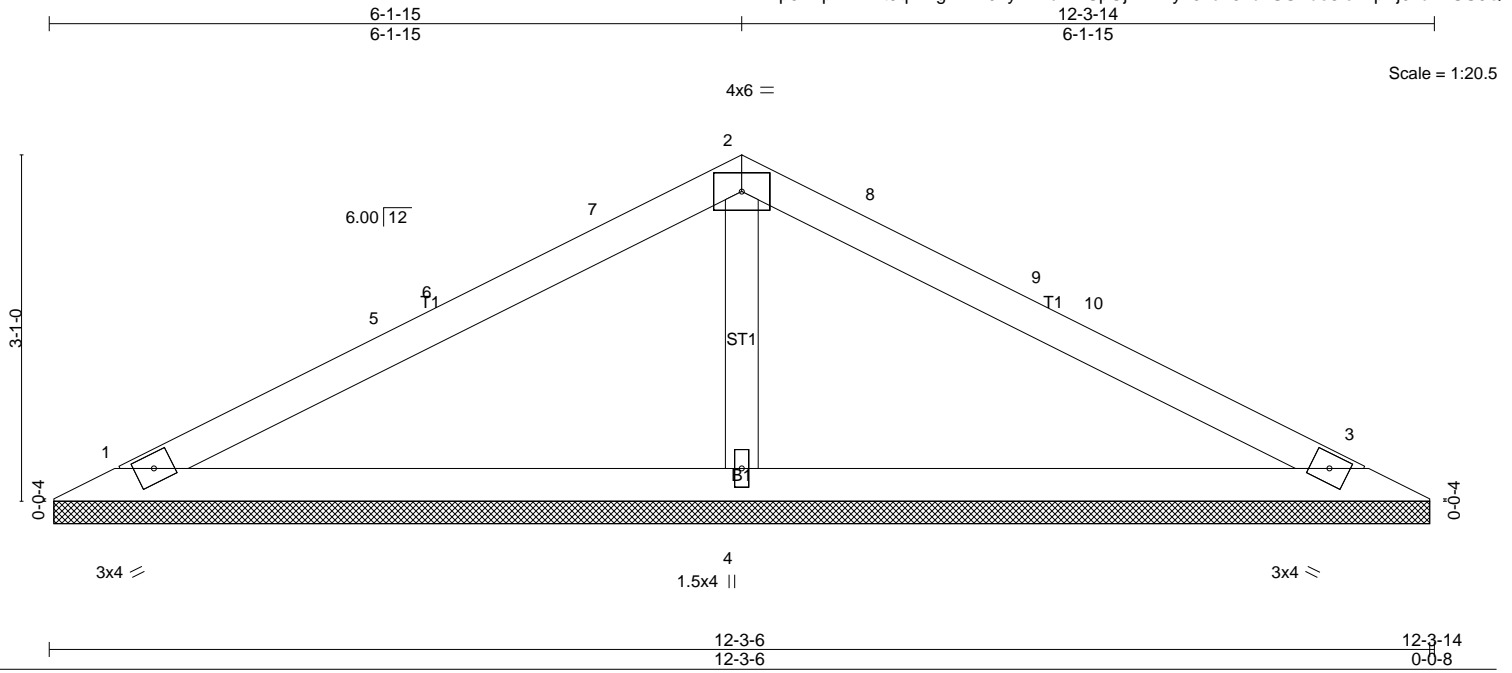
- NOTES-**
- Unbalanced roof live loads have been considered for this design.
 - Wind: ASCE 7-10; Vult=115mph (3-second gust) Vasd=91mph; TCDL=6.0psf; BCDL=6.0psf; h=25ft; Cat. II; Exp B; enclosed; MWFRS (envelope) and C-C Exterior(2) 0-7-9 to 3-7-15, Interior(1) 3-7-15 to 7-7-15, Exterior(2) 7-7-15 to 10-7-15 zone; cantilever left and right exposed; C-C for members and forces & MWFRS for reactions shown; Lumber DOL=1.60 plate grip DOL=1.60
 - TCLL: ASCE 7-10; Pr=20.0 psf (roof live load: Lumber DOL=1.15 Plate DOL=1.15); Pg=20.0 psf (ground snow); Pf=15.4 psf (flat roof snow); Lumber DOL=1.15 Plate DOL=1.15; Category II; Exp B; Partially Exp.; Ct=1.1
 - Unbalanced snow loads have been considered for this design.
 - Gable requires continuous bottom chord bearing.
 - This truss has been designed for a 10.0 psf bottom chord live load nonconcurrent with any other live loads.
 - * This truss has been designed for a live load of 20.0psf on the bottom chord in all areas where a rectangle 3-6-0 tall by 2-0-0 wide will fit between the bottom chord and any other members.
 - Provide mechanical connection (by others) of truss to bearing plate capable of withstanding 100 lb uplift at joint(s) 8, 6.
 - This truss is designed in accordance with the 2015 International Residential Code sections R502.11.1 and R802.10.2 and referenced standard ANSI/TPI 1.

LOAD CASE(S) Standard

Job 1724685	Truss V8	Truss Type Valley	Qty 1	Ply 1	Job Reference (optional)
----------------	-------------	----------------------	----------	----------	--------------------------

Builders FirstSource, Albemarle, NC 28001

Run: 8:200 s Nov 3 2018 Print: 8:200 s Nov 3 2018 MiTek Industries, Inc. Wed Apr 3 11:53:07 2019 Page 1
ID:p5X2pW7FEt9qX?fgBiNF0hyWrxu-T4SpGjhVP?y25vu45xb4USrrdo8fcMfpXj0kuAzUS6Q



LOADING (psf)	SPACING-	CSI.	DEFL.	PLATES	GRIP
TCLL (roof) 20.0	2-0-0	TC 0.44	in (loc) l/defl L/d	MT20	244/190
Snow (Pf/Pg) 15.4/20.0	Plate Grip DOL 1.15	BC 0.30	Vert(LL) n/a - n/a 999		
TCDL 10.0	Lumber DOL 1.15	WB 0.08	Vert(CT) n/a - n/a 999		
BCDL 0.0 *	Rep Stress Incr YES	Matrix-S	Horz(CT) 0.00 3 n/a n/a		
BCDL 10.0	Code IRC2015/TPI2014			Weight: 40 lb	FT = 20%

LUMBER-
TOP CHORD 2x4 SP No.2
BOT CHORD 2x4 SP No.2
OTHERS 2x4 SP No.3

BRACING-
TOP CHORD Structural wood sheathing directly applied or 6-0-0 oc purlins.
BOT CHORD Rigid ceiling directly applied or 10-0-0 oc bracing.

MiTek recommends that Stabilizers and required cross bracing be installed during truss erection, in accordance with Stabilizer Installation guide.

REACTIONS. (lb/size) 1=177/12-2-14 (min. 0-1-8), 3=177/12-2-14 (min. 0-1-8), 4=429/12-2-14 (min. 0-1-8)
Max Horz 1=-23(LC 14)
Max Uplift 3=-1(LC 17)
Max Grav 1=204(LC 33), 3=204(LC 34), 4=482(LC 2)

FORCES. (lb) - Max. Comp./Max. Ten. - All forces 250 (lb) or less except when shown.
WEBS 2-4=-319/85

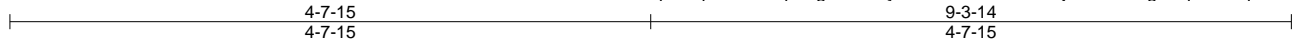
- NOTES-**
- Unbalanced roof live loads have been considered for this design.
 - Wind: ASCE 7-10; Vult=115mph (3-second gust) Vasd=91mph; TCDL=6.0psf; BCDL=6.0psf; h=25ft; Cat. II; Exp B; enclosed; MWFRS (envelope) and C-C Exterior(2) 0-7-9 to 3-7-9, Interior(1) 3-7-9 to 6-1-15, Exterior(2) 6-1-15 to 9-1-15 zone; cantilever left and right exposed ;C-C for members and forces & MWFRS for reactions shown; Lumber DOL=1.60 plate grip DOL=1.60
 - TCLL: ASCE 7-10; Pr=20.0 psf (roof live load: Lumber DOL=1.15 Plate DOL=1.15); Pg=20.0 psf (ground snow); Pf=15.4 psf (flat roof snow): Lumber DOL=1.15 Plate DOL=1.15); Category II; Exp B; Partially Exp.; Ct=1.1
 - Unbalanced snow loads have been considered for this design.
 - Gable requires continuous bottom chord bearing.
 - This truss has been designed for a 10.0 psf bottom chord live load nonconcurrent with any other live loads.
 - * This truss has been designed for a live load of 20.0psf on the bottom chord in all areas where a rectangle 3-6-0 tall by 2-0-0 wide will fit between the bottom chord and any other members.
 - Provide mechanical connection (by others) of truss to bearing plate capable of withstanding 100 lb uplift at joint(s) 3.
 - This truss is designed in accordance with the 2015 International Residential Code sections R502.11.1 and R802.10.2 and referenced standard ANSI/TPI 1.

LOAD CASE(S) Standard

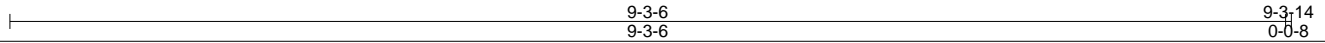
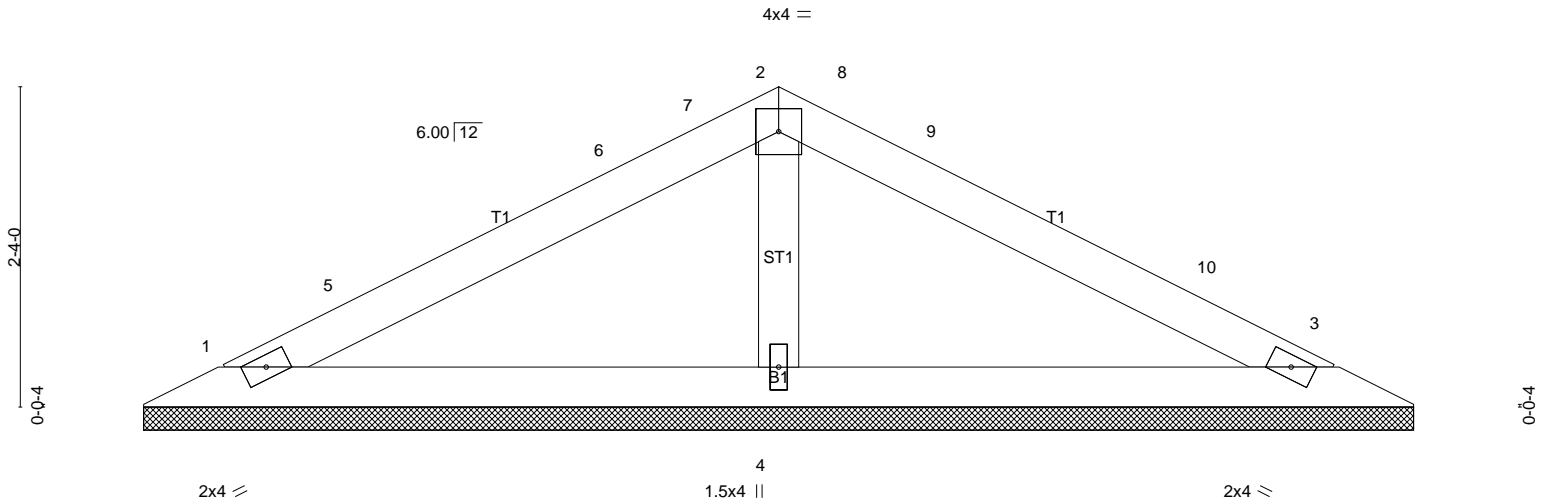
Job 1724685	Truss V9	Truss Type Valley	Qty 1	Ply 1	Job Reference (optional)
----------------	-------------	----------------------	----------	----------	--------------------------

Builders FirstSource, Albemarle, NC 28001

Run: 8.200 s Nov 3 2018 Print: 8.200 s Nov 3 2018 MiTek Industries, Inc. Wed Apr 3 11:53:08 2019 Page 1
ID:p5X2pW7FEt9qX?fgBiNF0hyWrxu-xH0BT3i7A14vj3TGfe6J1gN3qBW6LqKzmNmHQczUS6P



Scale = 1:16.8



LOADING (psf)	SPACING-	CSI.	DEFL.	PLATES	GRIP
TCLL (roof) 20.0	2-0-0	TC 0.22	in (loc) l/defl L/d	MT20	244/190
Snow (Pf/Pg) 15.4/20.0	Plate Grip DOL 1.15	BC 0.16	Vert(LL) n/a - n/a 999		
TCDL 10.0	Lumber DOL 1.15	WB 0.05	Vert(CT) n/a - n/a 999		
BCLL 0.0 *	Rep Stress Incr YES	Matrix-S	Horz(CT) 0.00 3 n/a n/a		
BCDL 10.0	Code IRC2015/TPI2014			Weight: 30 lb	FT = 20%

LUMBER-
TOP CHORD 2x4 SP No.2
BOT CHORD 2x4 SP No.2
OTHERS 2x4 SP No.3

BRACING-
TOP CHORD Structural wood sheathing directly applied or 6-0-0 oc purlins.
BOT CHORD Rigid ceiling directly applied or 10-0-0 oc bracing.

MiTek recommends that Stabilizers and required cross bracing be installed during truss erection, in accordance with Stabilizer Installation guide.

REACTIONS. (lb/size) 1=129/9-2-14 (min. 0-1-8), 3=129/9-2-14 (min. 0-1-8), 4=312/9-2-14 (min. 0-1-8)
Max Horz 1=-17(LC 14)
Max Uplift 3=-1(LC 17)
Max Grav 1=149(LC 33), 3=149(LC 34), 4=351(LC 2)

FORCES. (lb) - Max. Comp./Max. Ten. - All forces 250 (lb) or less except when shown.

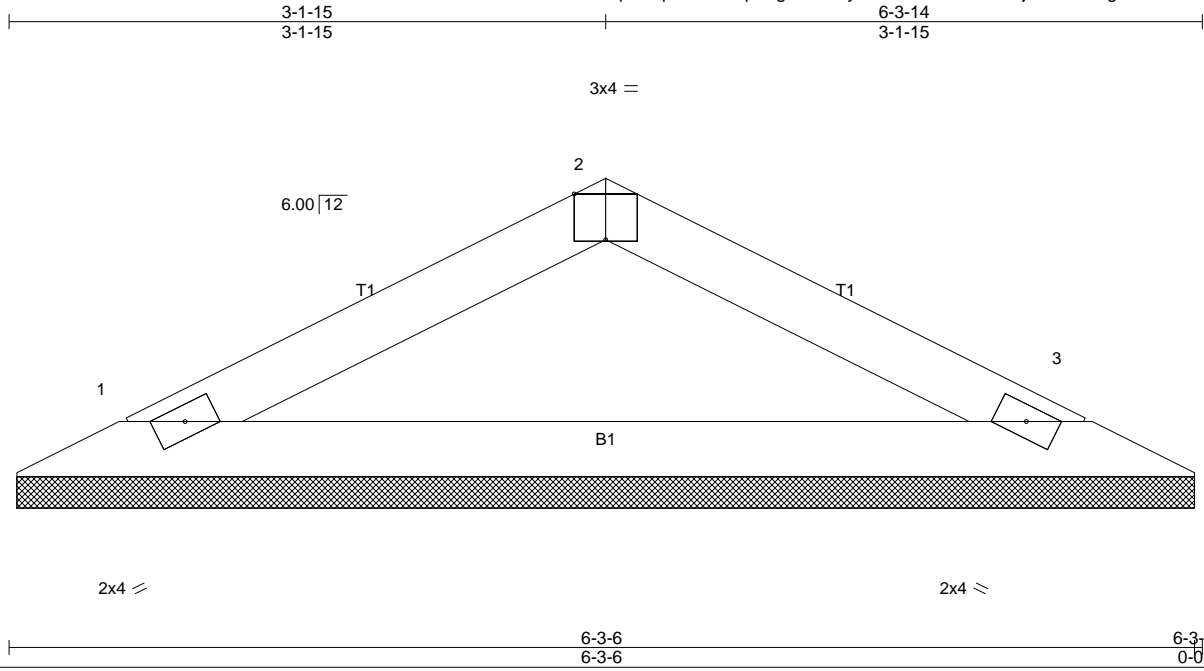
- NOTES-**
- Unbalanced roof live loads have been considered for this design.
 - Wind: ASCE 7-10; Vult=115mph (3-second gust) Vasd=91mph; TCCL=6.0psf; BCDL=6.0psf; h=25ft; Cat. II; Exp B; enclosed; MWFRS (envelope) and C-C Exterior(2) 0-7-9 to 3-7-9, Interior(1) 3-7-9 to 4-7-15, Exterior(2) 4-7-15 to 7-7-15 zone; cantilever left and right exposed ;C-C for members and forces & MWFRS for reactions shown; Lumber DOL=1.60 plate grip DOL=1.60
 - TCCL: ASCE 7-10; Pr=20.0 psf (roof live load: Lumber DOL=1.15 Plate DOL=1.15); Pg=20.0 psf (ground snow); Pf=15.4 psf (flat roof snow); Lumber DOL=1.15 Plate DOL=1.15); Category II; Exp B; Partially Exp.; Ct=1.1
 - Unbalanced snow loads have been considered for this design.
 - Gable requires continuous bottom chord bearing.
 - This truss has been designed for a 10.0 psf bottom chord live load nonconcurrent with any other live loads.
 - * This truss has been designed for a live load of 20.0psf on the bottom chord in all areas where a rectangle 3-6-0 tall by 2-0-0 wide will fit between the bottom chord and any other members.
 - Provide mechanical connection (by others) of truss to bearing plate capable of withstanding 100 lb uplift at joint(s) 3.
 - This truss is designed in accordance with the 2015 International Residential Code sections R502.11.1 and R802.10.2 and referenced standard ANSI/TPI 1.

LOAD CASE(S) Standard

Job 1724685	Truss V10	Truss Type Valley	Qty 1	Ply 1	Job Reference (optional)
----------------	--------------	----------------------	----------	----------	--------------------------

Builders FirstSource, Albemarle, NC 28001

Run: 8.200 s Nov 3 2018 Print: 8.200 s Nov 3 2018 MiTek Industries, Inc. Wed Apr 3 11:53:08 2019 Page 1
ID:p5X2pW7FEt9qX?fgBiNF0hyWrXu-xH0BT3i7A14vj3TGfe6J1gN5YBTTLq4zmNmHQczUS6P



Scale = 1:12.2

Plate Offsets (X,Y)-- [2:0-2-0,Edge]

LOADING (psf)	SPACING-	CSI.	DEFL.	PLATES	GRIP
TCLL (roof) 20.0	2-0-0	TC 0.11	in (loc) l/defl L/d	MT20	244/190
Snow (Pf/Pg) 15.4/20.0	Plate Grip DOL 1.15	BC 0.33	Vert(LL) n/a - n/a 999		
TCDL 10.0	Lumber DOL 1.15	WB 0.00	Vert(CT) n/a - n/a 999		
BCLL 0.0 *	Rep Stress Incr YES	Matrix-P	Horz(CT) 0.00 3 n/a n/a		
BCDL 10.0	Code IRC2015/TPI2014			Weight: 18 lb	FT = 20%

LUMBER-
TOP CHORD 2x4 SP No.2
BOT CHORD 2x4 SP No.2

BRACING-
TOP CHORD Structural wood sheathing directly applied or 6'-0-0 oc purlins.
BOT CHORD Rigid ceiling directly applied or 10'-0-0 oc bracing.

MiTek recommends that Stabilizers and required cross bracing be installed during truss erection, in accordance with Stabilizer Installation guide.

REACTIONS. (lb/size) 1=179/6-2-14 (min. 0-1-8), 3=179/6-2-14 (min. 0-1-8)
Max Horz 1=11(LC 15)
Max Grav 1=203(LC 2), 3=203(LC 2)

FORCES. (lb) - Max. Comp./Max. Ten. - All forces 250 (lb) or less except when shown.

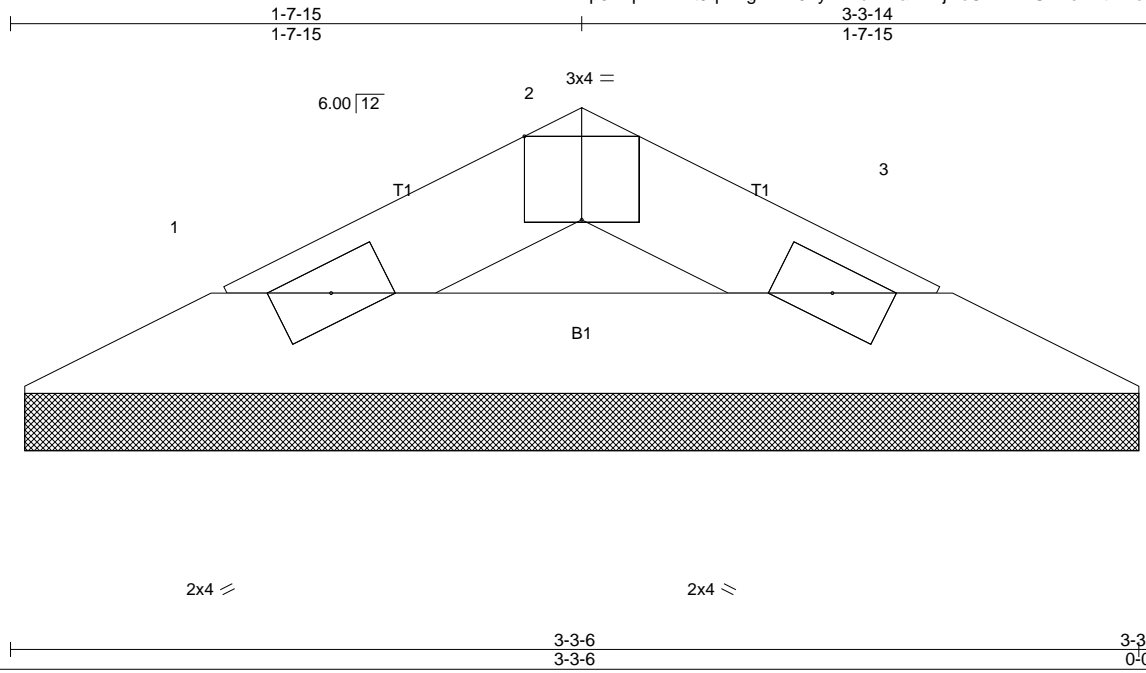
- NOTES-**
- Unbalanced roof live loads have been considered for this design.
 - Wind: ASCE 7-10; Vult=115mph (3-second gust) Vasd=91mph; TCCL=6.0psf; BCDL=6.0psf; h=25ft; Cat. II; Exp B; enclosed; MWFRS (envelope) and C-C Exterior(2) zone; cantilever left and right exposed ;C-C for members and forces & MWFRS for reactions shown; Lumber DOL=1.60 plate grip DOL=1.60
 - TCCL: ASCE 7-10; Pr=20.0 psf (roof live load: Lumber DOL=1.15 Plate DOL=1.15); Pg=20.0 psf (ground snow); Pf=15.4 psf (flat roof snow); Lumber DOL=1.15 Plate DOL=1.15); Category II; Exp B; Partially Exp.; Ct=1.1
 - Unbalanced snow loads have been considered for this design.
 - Gable requires continuous bottom chord bearing.
 - This truss has been designed for a 10.0 psf bottom chord live load nonconcurrent with any other live loads.
 - * This truss has been designed for a live load of 20.0psf on the bottom chord in all areas where a rectangle 3-6-0 tall by 2-0-0 wide will fit between the bottom chord and any other members.
 - This truss is designed in accordance with the 2015 International Residential Code sections R502.11.1 and R802.10.2 and referenced standard ANSI/TPI 1.

LOAD CASE(S) Standard

Job 1724685	Truss V11	Truss Type Valley	Qty 1	Ply 1	Job Reference (optional)
----------------	--------------	----------------------	----------	----------	--------------------------

Builders FirstSource, Albemarle, NC 28001

Run: 8.200 s Nov 3 2018 Print: 8.200 s Nov 3 2018 MiTek Industries, Inc. Wed Apr 3 11:53:09 2019 Page 1
ID:p5X2pW7FEt9qX?fgBiNF0hyWrxu-PTaZhPjxcCmKD2SDLeYZtwHobu54HK6_1Vqy2zUS6O



Scale = 1:6.7

Plate Offsets (X,Y)-- [2:0-2,0,Edge]

LOADING (psf)	SPACING-	CSI.	DEFL.	in (loc)	l/defl	L/d	PLATES	GRIP
TCLL (roof) 20.0	2-0-0	TC 0.02	Vert(LL)	n/a	-	n/a	MT20	244/190
Snow (Pf/Pg) 15.4/20.0	Plate Grip DOL 1.15	BC 0.05	Vert(CT)	n/a	-	n/a		
TCDL 10.0	Lumber DOL 1.15	WB 0.00	Horz(CT)	0.00	3	n/a		
BCLL 0.0 *	Rep Stress Incr YES	Matrix-P					Weight: 8 lb	FT = 20%
BCDL 10.0	Code IRC2015/TPI2014							

LUMBER-
TOP CHORD 2x4 SP No.2
BOT CHORD 2x4 SP No.2

BRACING-
TOP CHORD Structural wood sheathing directly applied or 3-3-14 oc purlins.
BOT CHORD Rigid ceiling directly applied or 10-0-0 oc bracing.

MiTek recommends that Stabilizers and required cross bracing be installed during truss erection, in accordance with Stabilizer Installation guide.

REACTIONS. (lb/size) 1=73/3-2-14 (min. 0-1-8), 3=73/3-2-14 (min. 0-1-8)
Max Horz 1=4(LC 15)
Max Grav 1=83(LC 2), 3=83(LC 2)

FORCES. (lb) - Max. Comp./Max. Ten. - All forces 250 (lb) or less except when shown.

- NOTES-**
- Unbalanced roof live loads have been considered for this design.
 - Wind: ASCE 7-10; Vult=115mph (3-second gust) Vasd=91mph; TCDL=6.0psf; BCDL=6.0psf; h=25ft; Cat. II; Exp B; enclosed; MWFRS (envelope) and C-C Exterior(2) zone; cantilever left and right exposed ;C-C for members and forces & MWFRS for reactions shown; Lumber DOL=1.60 plate grip DOL=1.60
 - TCLL: ASCE 7-10; Pr=20.0 psf (roof live load: Lumber DOL=1.15 Plate DOL=1.15); Pg=20.0 psf (ground snow); Pf=15.4 psf (flat roof snow); Lumber DOL=1.15 Plate DOL=1.15); Category II; Exp B; Partially Exp.; Ct=1.1
 - Unbalanced snow loads have been considered for this design.
 - Gable requires continuous bottom chord bearing.
 - This truss has been designed for a 10.0 psf bottom chord live load nonconcurrent with any other live loads.
 - * This truss has been designed for a live load of 20.0psf on the bottom chord in all areas where a rectangle 3-6-0 tall by 2-0-0 wide will fit between the bottom chord and any other members.
 - This truss is designed in accordance with the 2015 International Residential Code sections R502.11.1 and R802.10.2 and referenced standard ANSI/TPI 1.

LOAD CASE(S) Standard