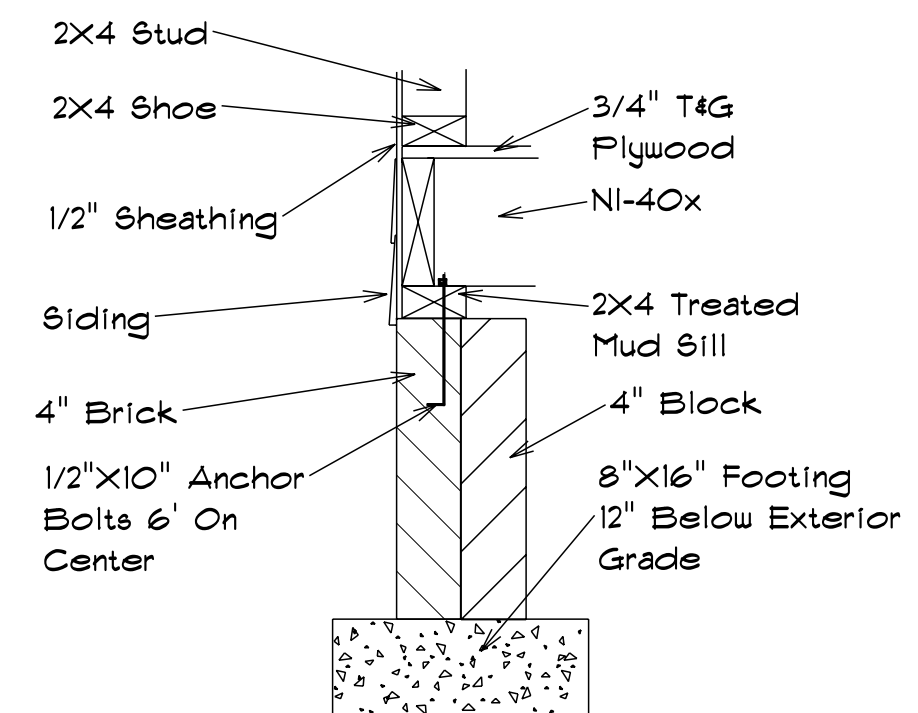


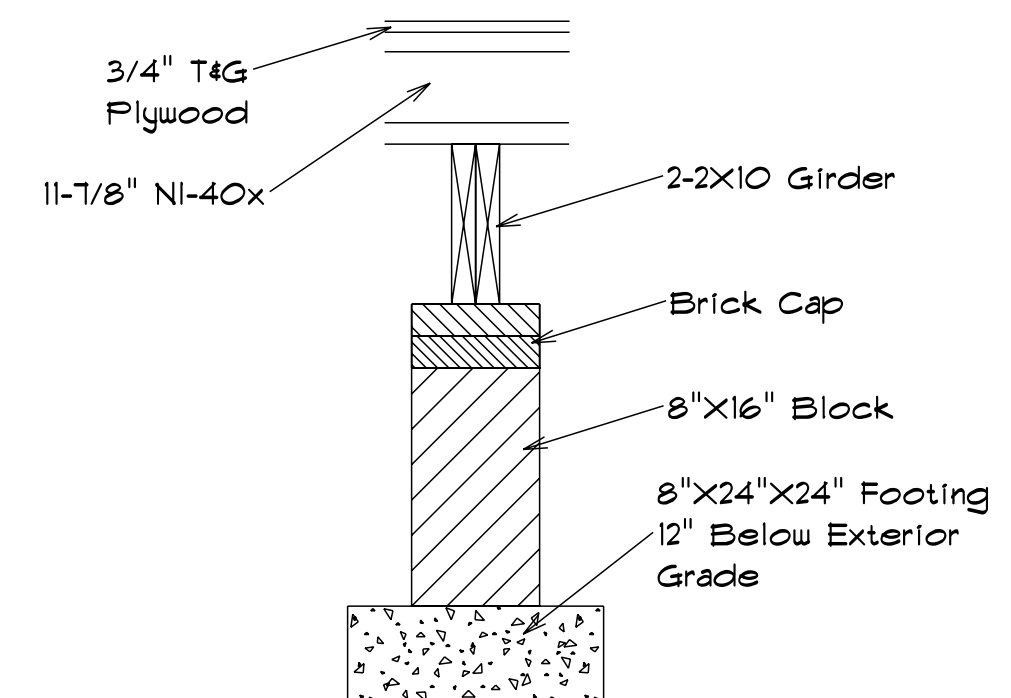
Foundation Plan

Scale: 1/4" = 1'-0"

Foundation Detail



Footing & Pier Detail



FOUNDATION VENTILATION

1171 Sq.Ft. Foundation Area
 Requires 7.80 Sq.Ft. Ventilation.
 With 6 Mil. Poly, Plans Indicate
 Vents For Adequate Cross
 Ventilation.

Base Designs
 2121 Chimney Ft.
 Linden, N.C. 28356
 910-864-9310

DATE: Wednesday, June 30, 2021
 REVISIONS
 DRAWING#

SCALE: 1/4"
 DRAWN BY
 APPROVED

The Redwood