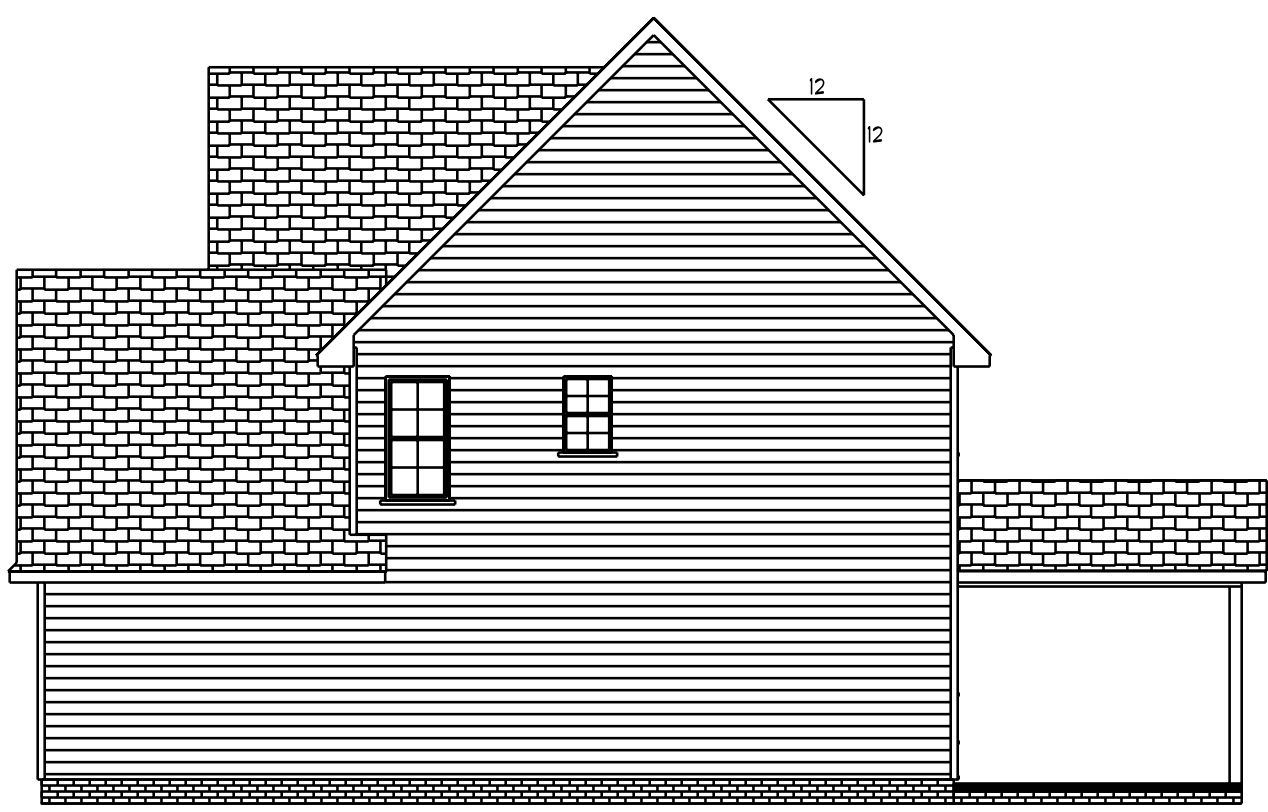




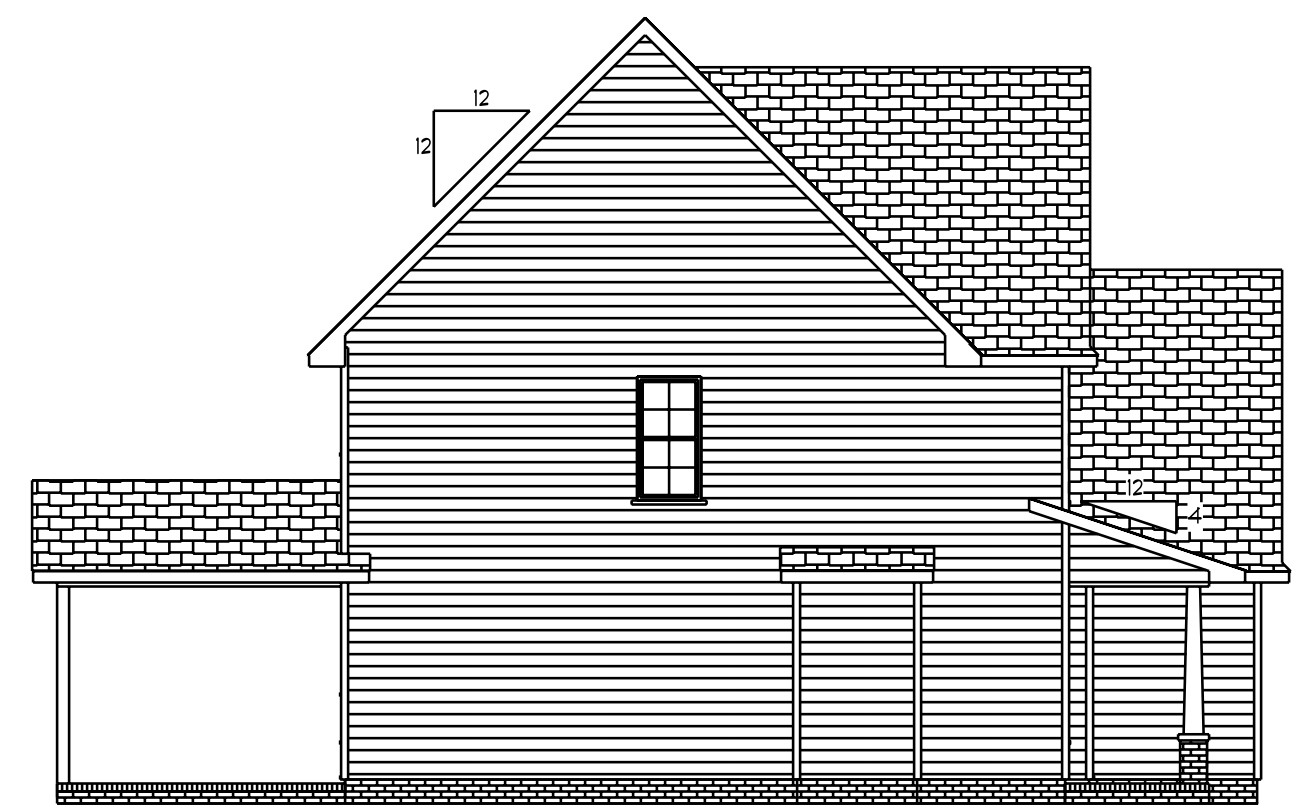
Front Elevation
Scale: 1/4" = 1'0"



Right Elevation
Scale: 1/8" = 1'0"



Rear Elevation
Scale: 1/8" = 1'0"



Left Elevation
Scale: 1/8" = 1'0"

DATE: 11/26/2019

REVISED

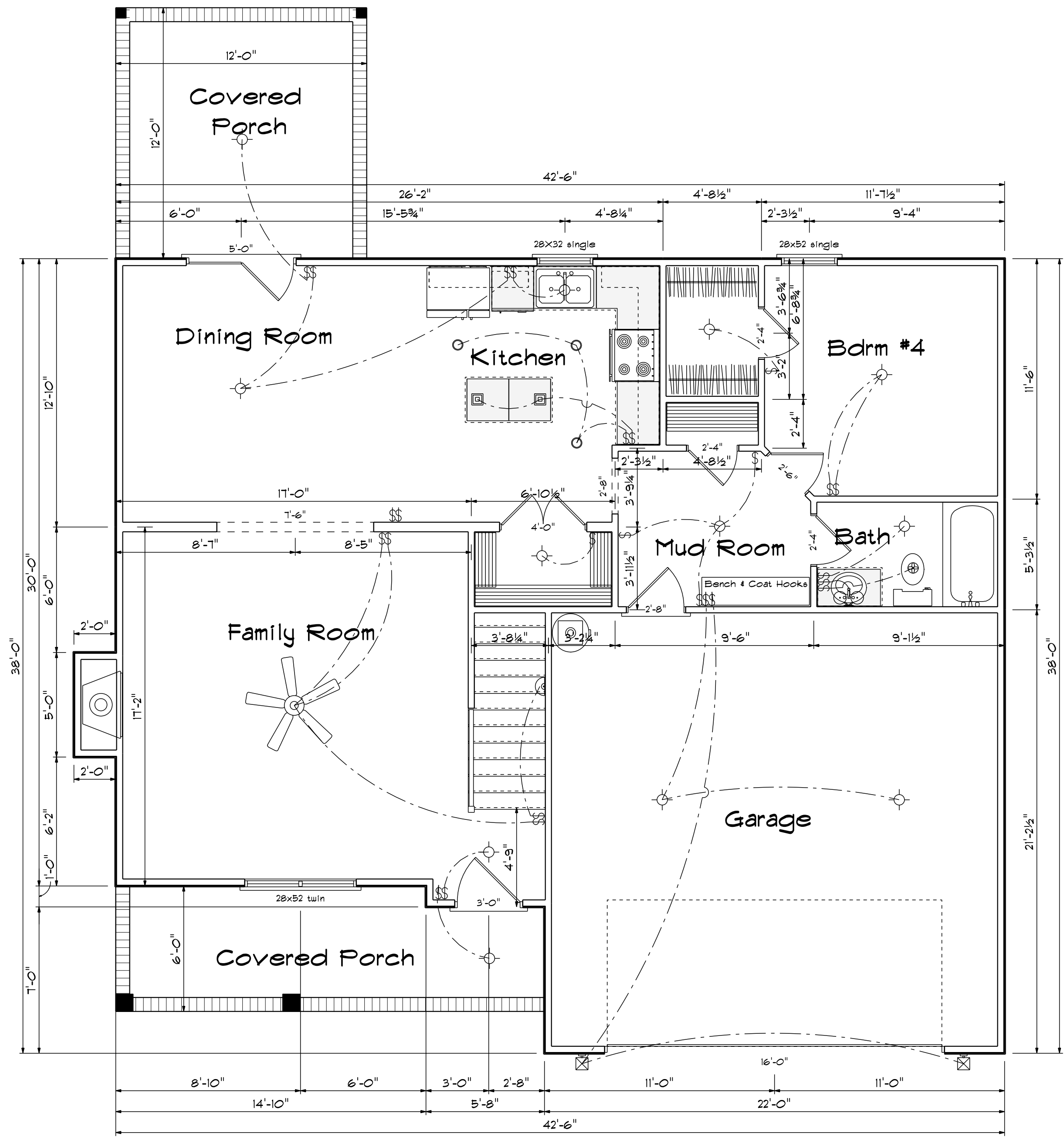
DRAWING*

SCALE: 1/4"

DRAWN BY

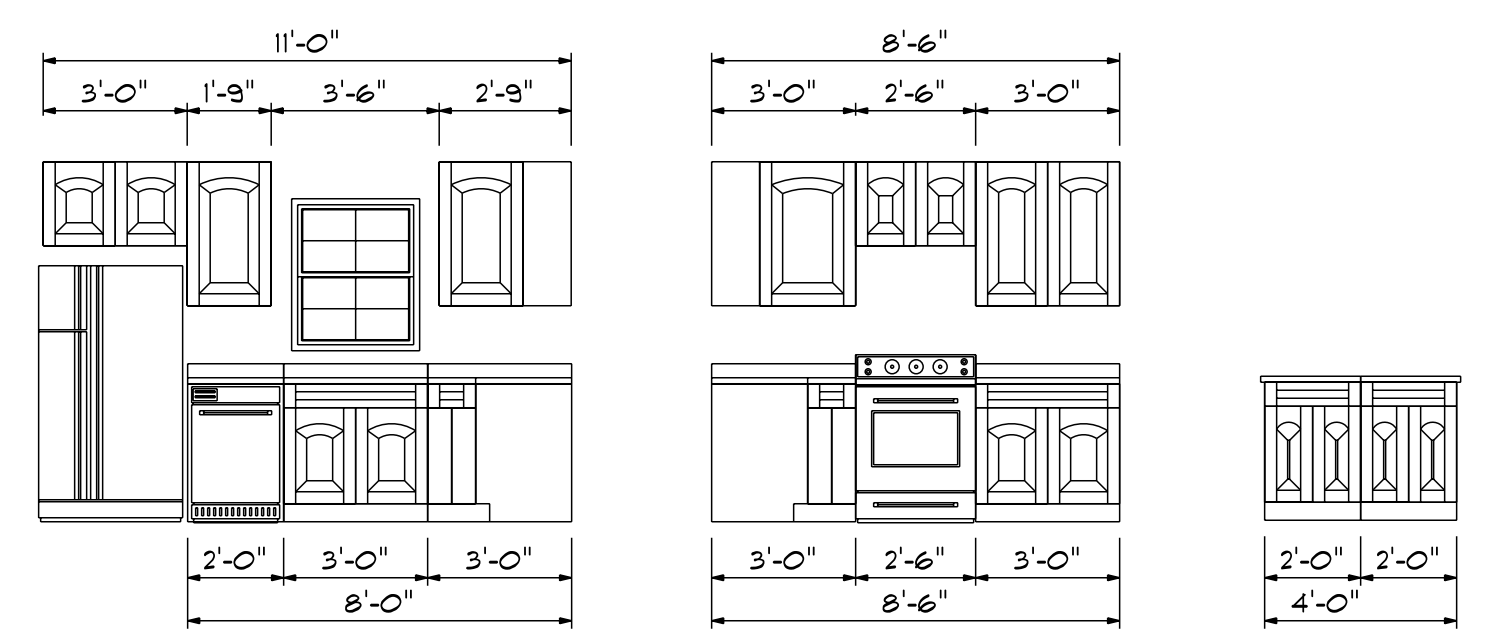
APPROVED

The Fawnbrook



First Floor Plan

Kitchen Cabinets

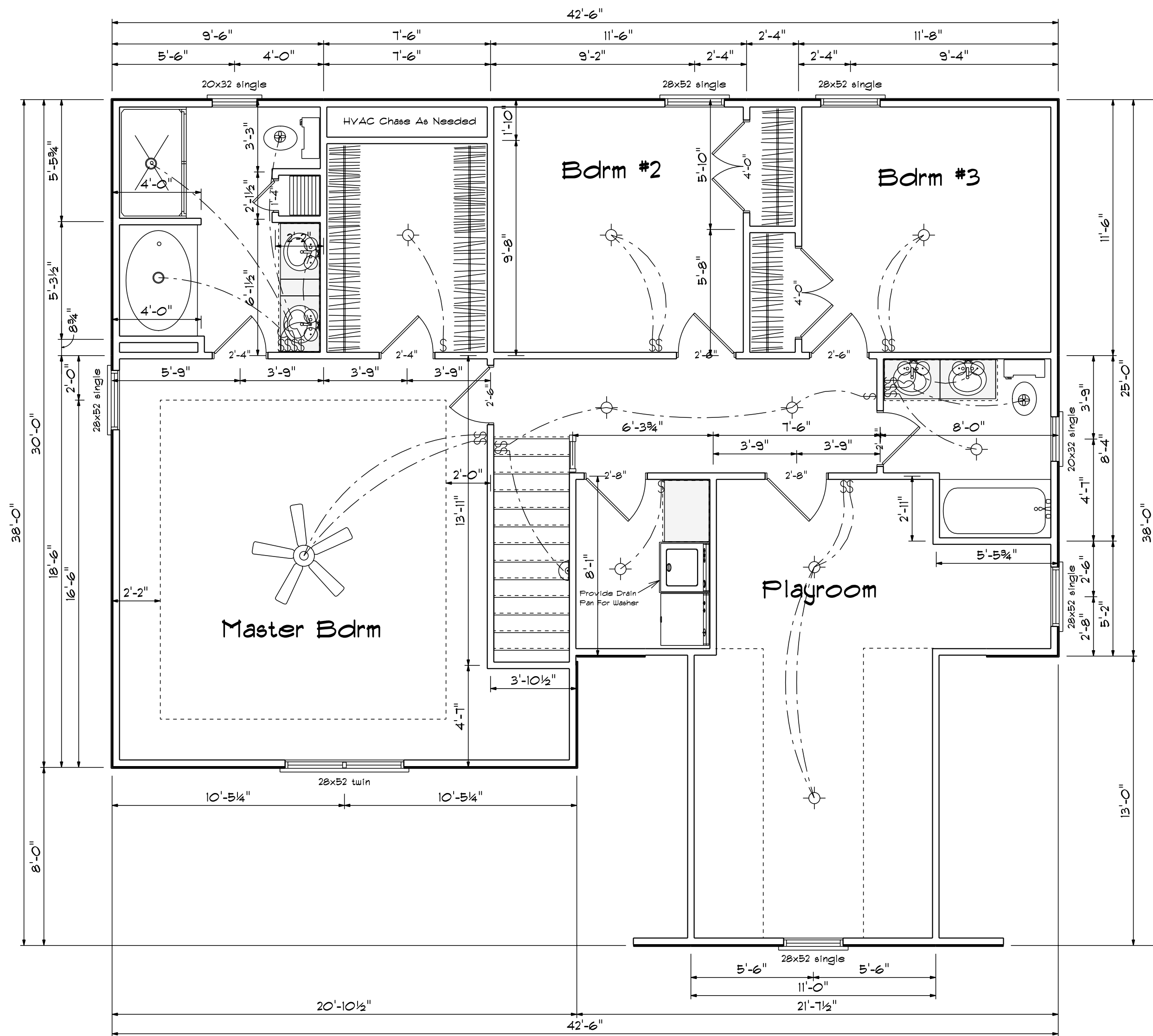


| FIRST FLOOR OPENING SCHEDULE | | | |
|------------------------------|---------------|-------|-------|
| PRODUCT CODE | SIZE | HINGE | COUNT |
| 36X80 COLONIAL A 1 | 3'-0" | R | 1 |
| 60X80 FRENCH A 2 | 5'-0" | RN | 1 |
| 192X84 - 8 PANEL - 4 WINDOW | 16'-0" | U | 1 |
| 2-4 Door Unit | 2'-4" | R | 1 |
| 2-4 Door Unit | 2'-4" | L | 2 |
| 2-6 Door Unit | 2'-6" | L | 1 |
| 2-8 Door Unit | 2'-8" | L | 1 |
| 4-0 Doublehung Door Unit | 4'-0" | LR | 1 |
| 28X32 single | 2'-8" x 3'-2" | N | 1 |
| 28x52 single | 2'-8" x 5'-2" | N | 1 |
| 28x52 twin | 5'-4" x 5'-2" | NN | 1 |

Areas

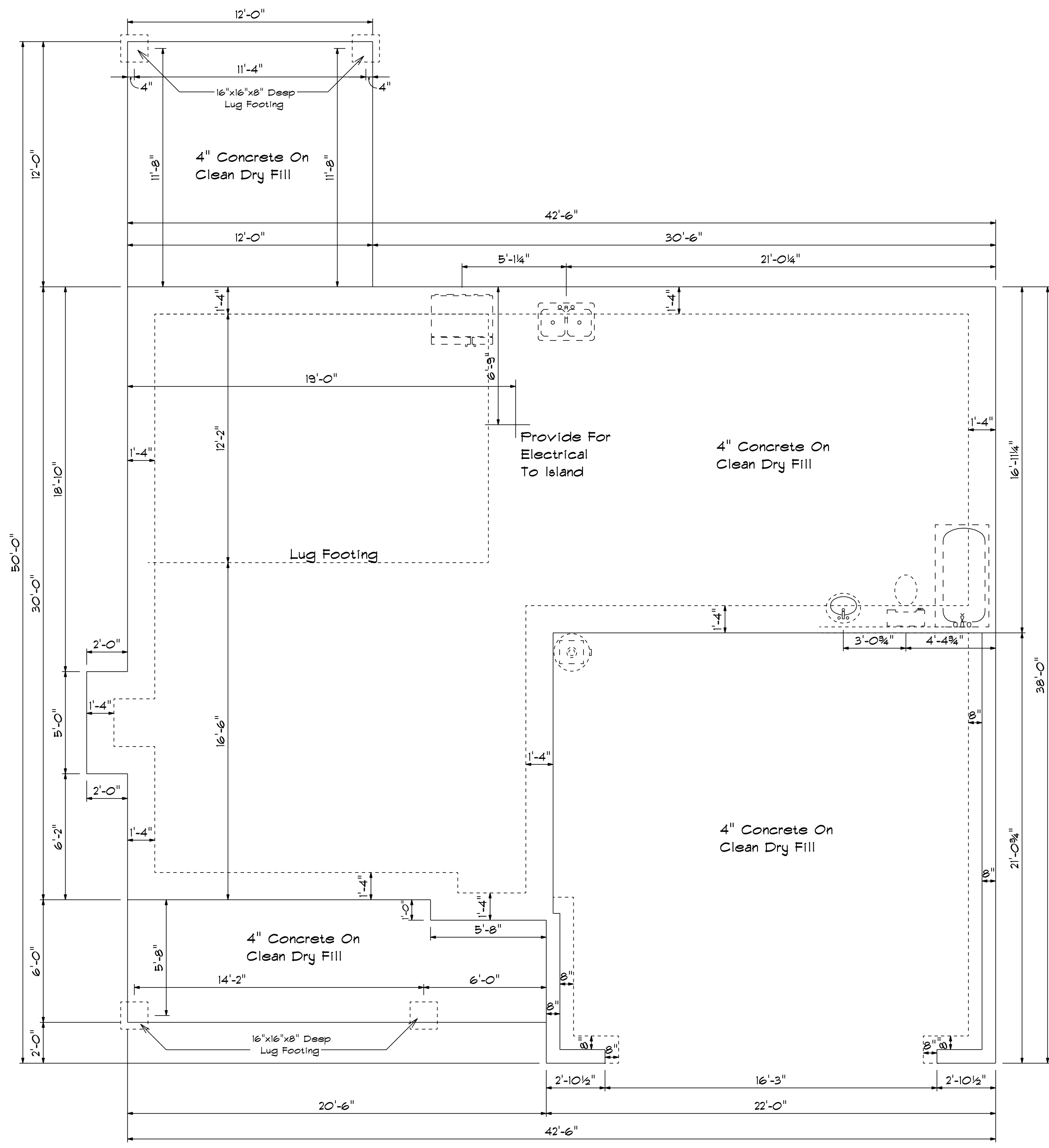
| | |
|---------------|------|
| First Floor | 1003 |
| Second Floor | 1285 |
| ----- | |
| Total Heated | 2288 |
| Garage | 461 |
| Front Porch | 116 |
| Covered Porch | 144 |

DATE: 11/26/2019
 REVISIONS
 DRAWING#
 SCALE: 1/4"
 DRAWN BY
 APPROVED
 The Fawnbrook

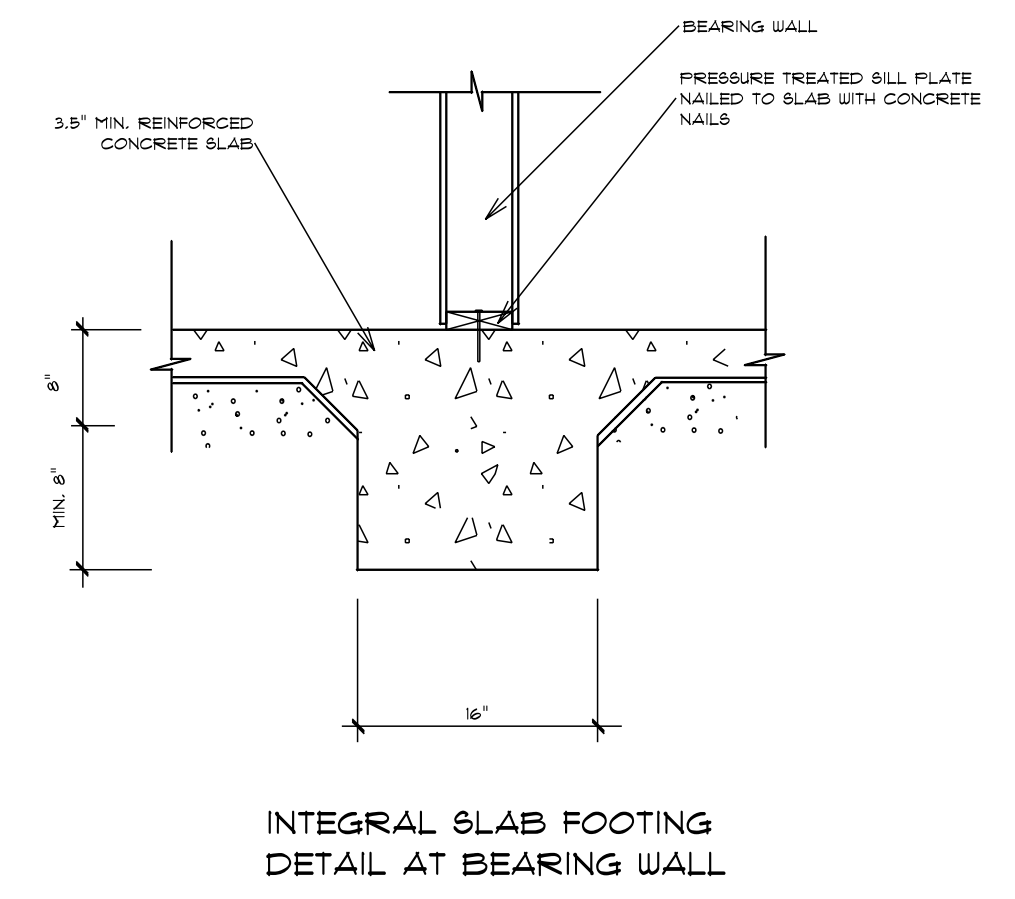
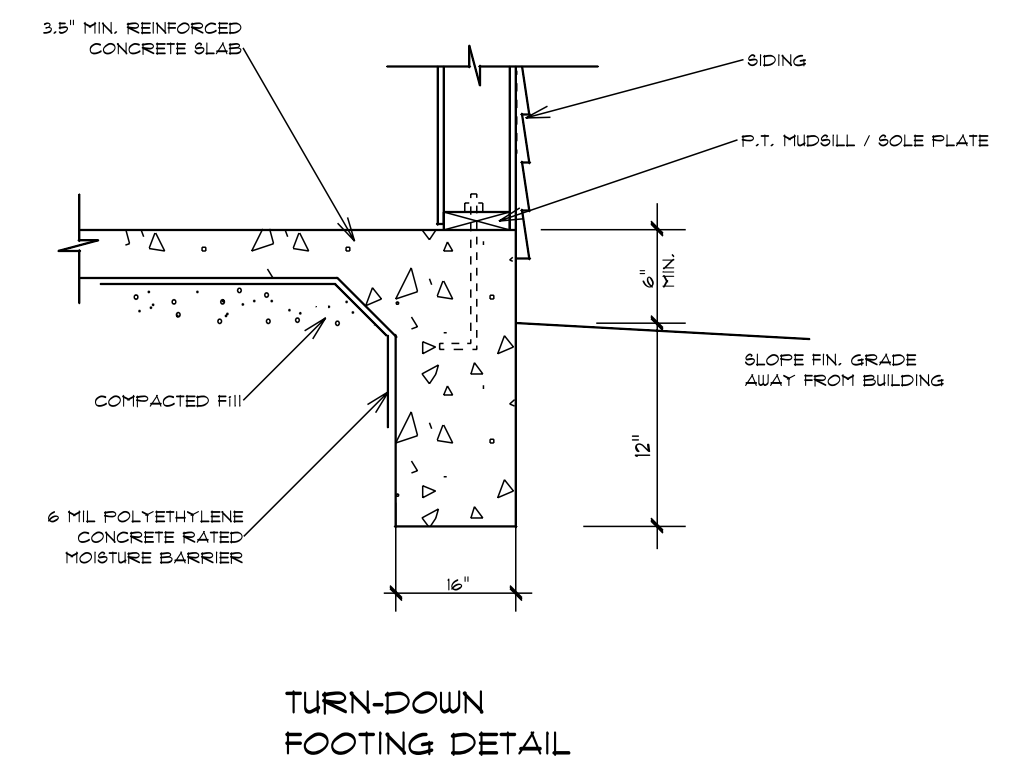


Second Floor Plan

| SECOND FLOOR OPENING SCHEDULE | | | |
|-------------------------------|---------------|-------|-------|
| PRODUCT CODE | SIZE | HINGE | COUNT |
| 1-6 Door Unit | 1'-4" | R | 1 |
| 2-4 Door Unit | 2'-4" | R | 1 |
| 2-4 Door Unit | 2'-4" | L | 2 |
| 2-6 Door Unit | 2'-6" | R | 2 |
| 2-6 Door Unit | 2'-6" | L | 1 |
| 2-8 Door Unit | 2'-8" | R | 2 |
| 4-0 Doublehung Door Unit | 4'-0" | LR | 2 |
| 20x32 single | 2'-0" x 3'-2" | N | 2 |
| 28x52 single | 2'-8" x 5'-2" | N | 5 |
| 28x52 twin | 5'-4" x 5'-2" | NN | 1 |



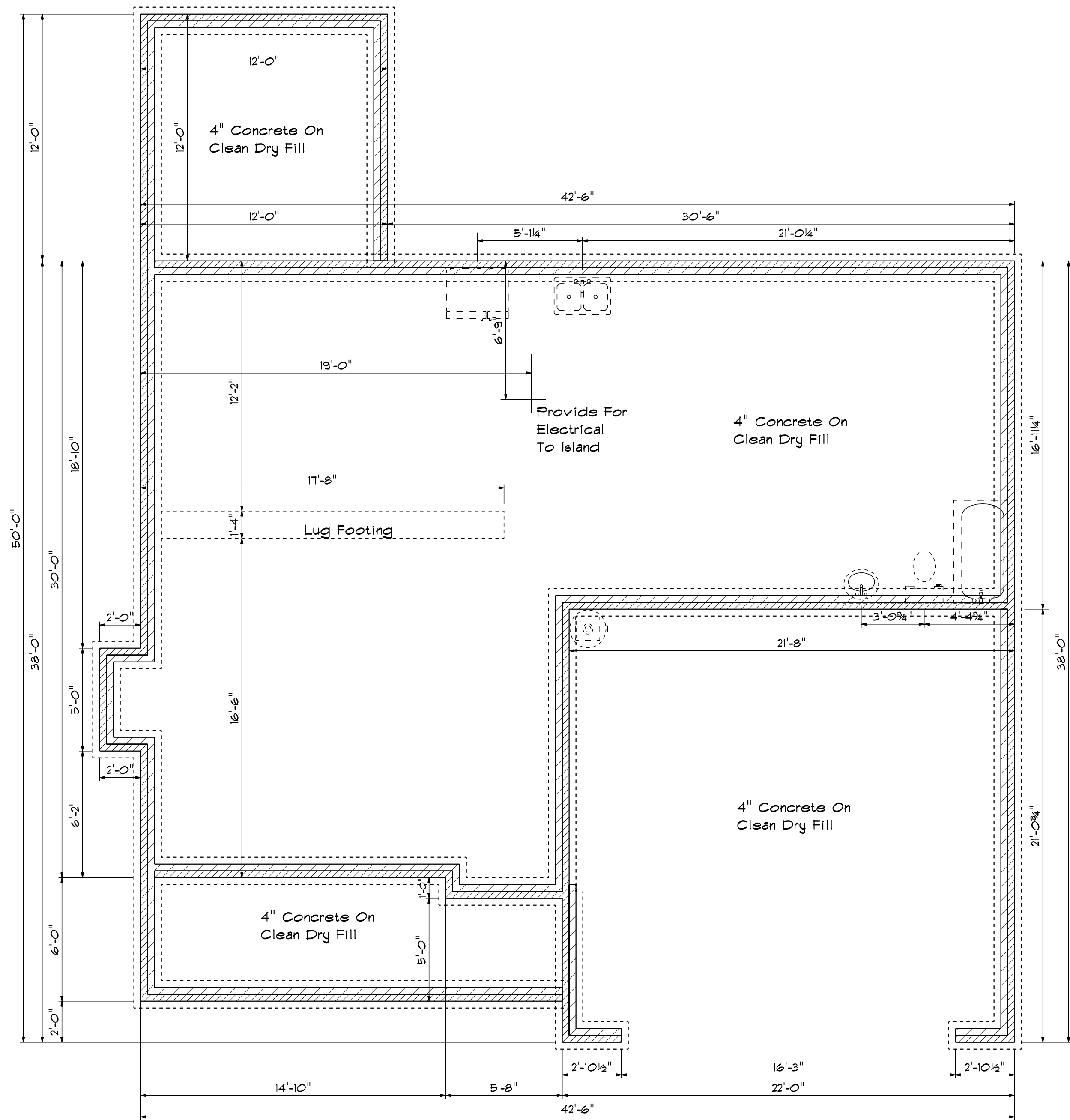
Foundation Plan



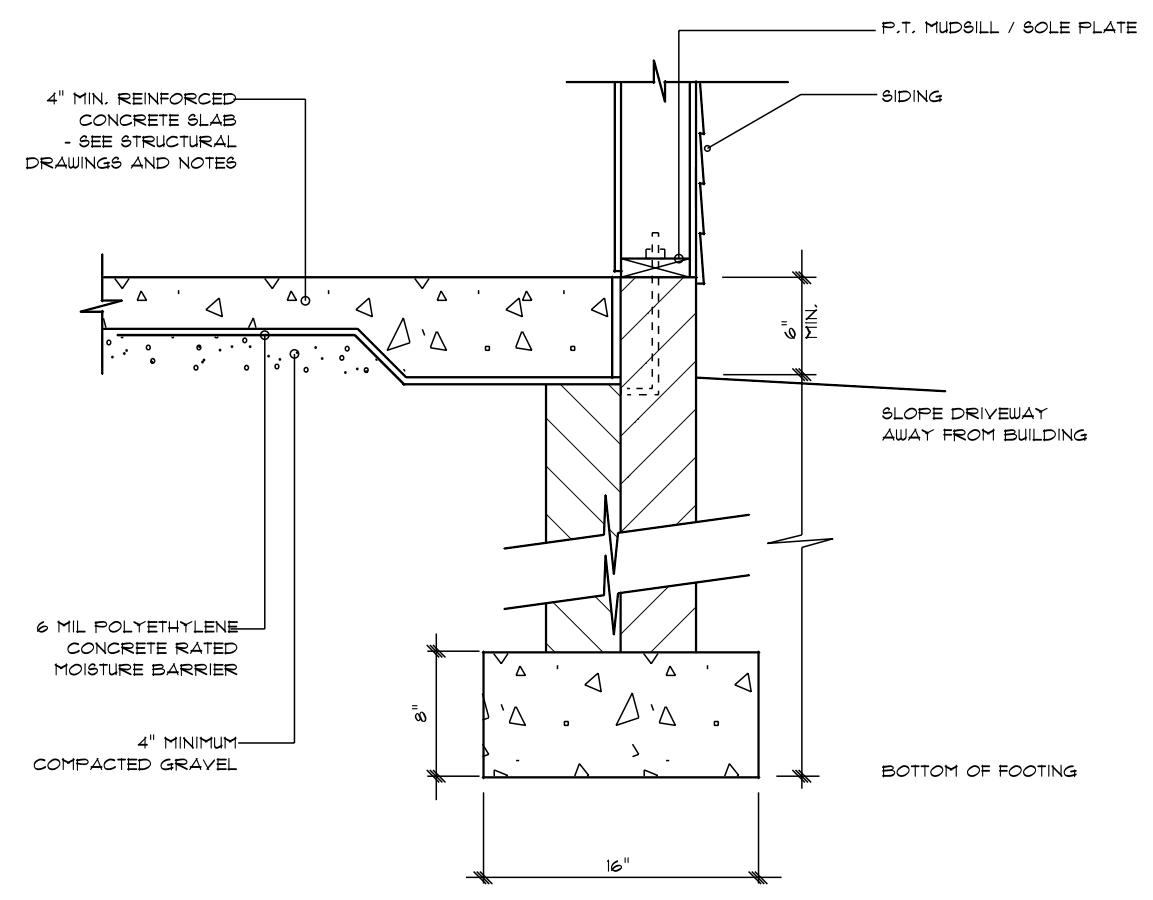
| |
|------------------|
| DATE: 11/26/2019 |
| REVISED |
| DRAWING# |

| |
|-------------|
| SCALE: 1/4" |
| DRAWN BY |
| APPROVED |

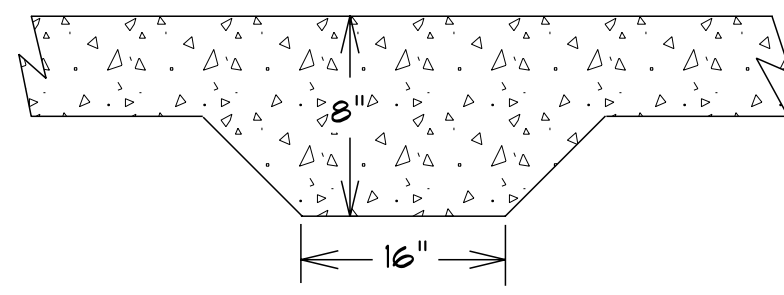
The Fawnbrook



Foundation Plan



STEM WALL FOOTING DETAIL



LUG FOOTING DETAIL

DATE: 11/26/2019
 REVISED
 DRAWING#

SCALE: 1/4"
 DRAWN BY
 APPROVED

The Fawnbrook