

RENAISSANCE RESIDENTIAL DESIGN, INC.

RESIDENTIAL DESIGN, INC.
4810 GLENMIST CT. | RALEIGH, NC 27612
(919) 488-4128
WWW.RRDCAROLINA.COM

"The art of transforming your vision into reality."

RENAISSANCE RESIDENTIAL DESIGN, INC. HEREBY EXPRESSLY RESERVES ITS COMMON LAW COPYRIGHT AND OTHER PROPERTY RIGHTS IN THESE PLANS. THESE PLANS AND DRAWINGS ARE NOT TO BE REPRODUCED, CHANGED, OR COPIED IN ANY FORM OR MANNER WITHOUT FIRST OBTAINING THE EXPRESS WRITTEN CONSENT OF RENAISSANCE RESIDENTIAL DESIGN, INC. NOR ARE THEY TO BE ASSIGNED TO ANY THIRD PARTY WITHOUT FIRST OBTAINING SAID WRITTEN PERMISSION AND CONSENT.

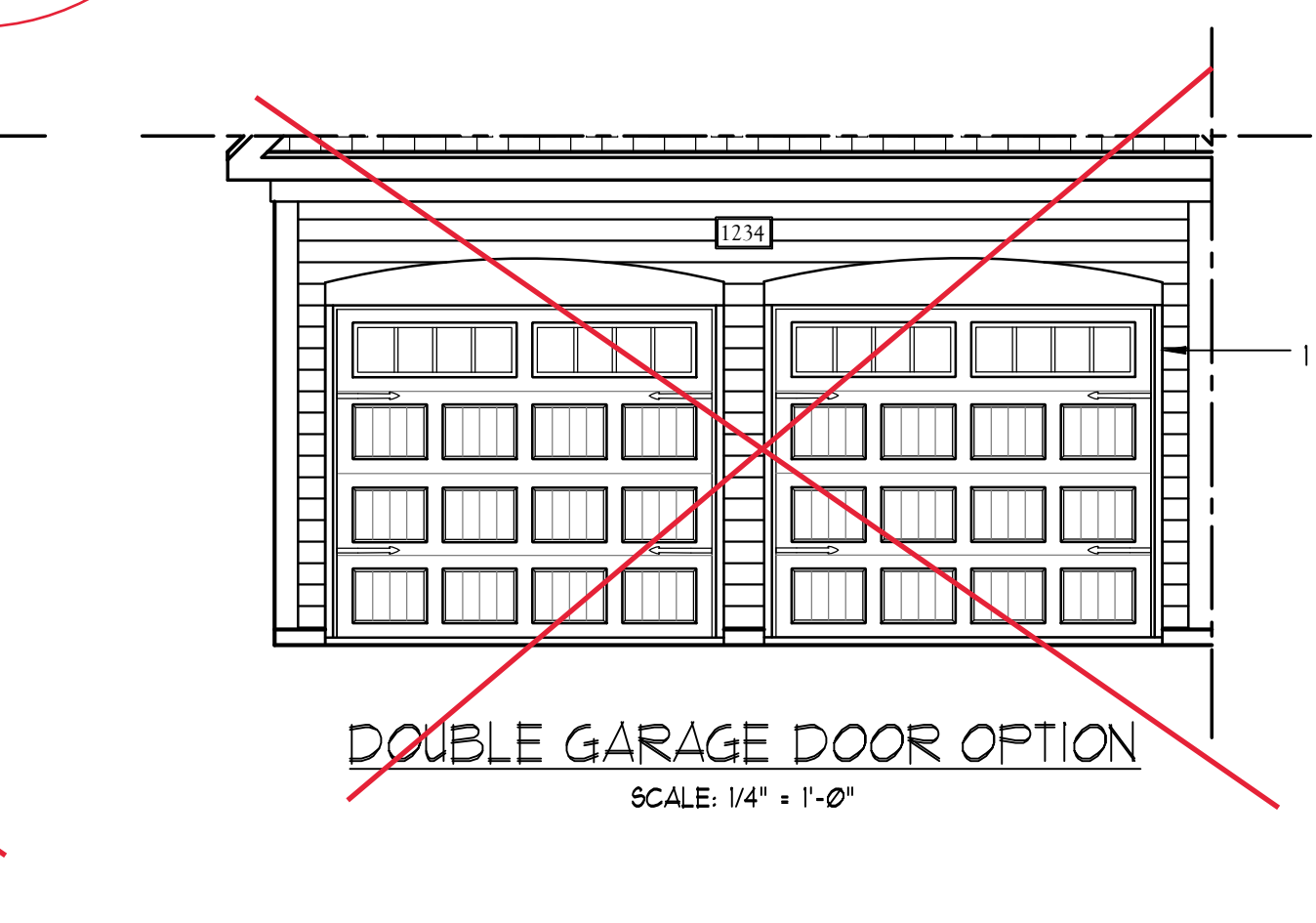
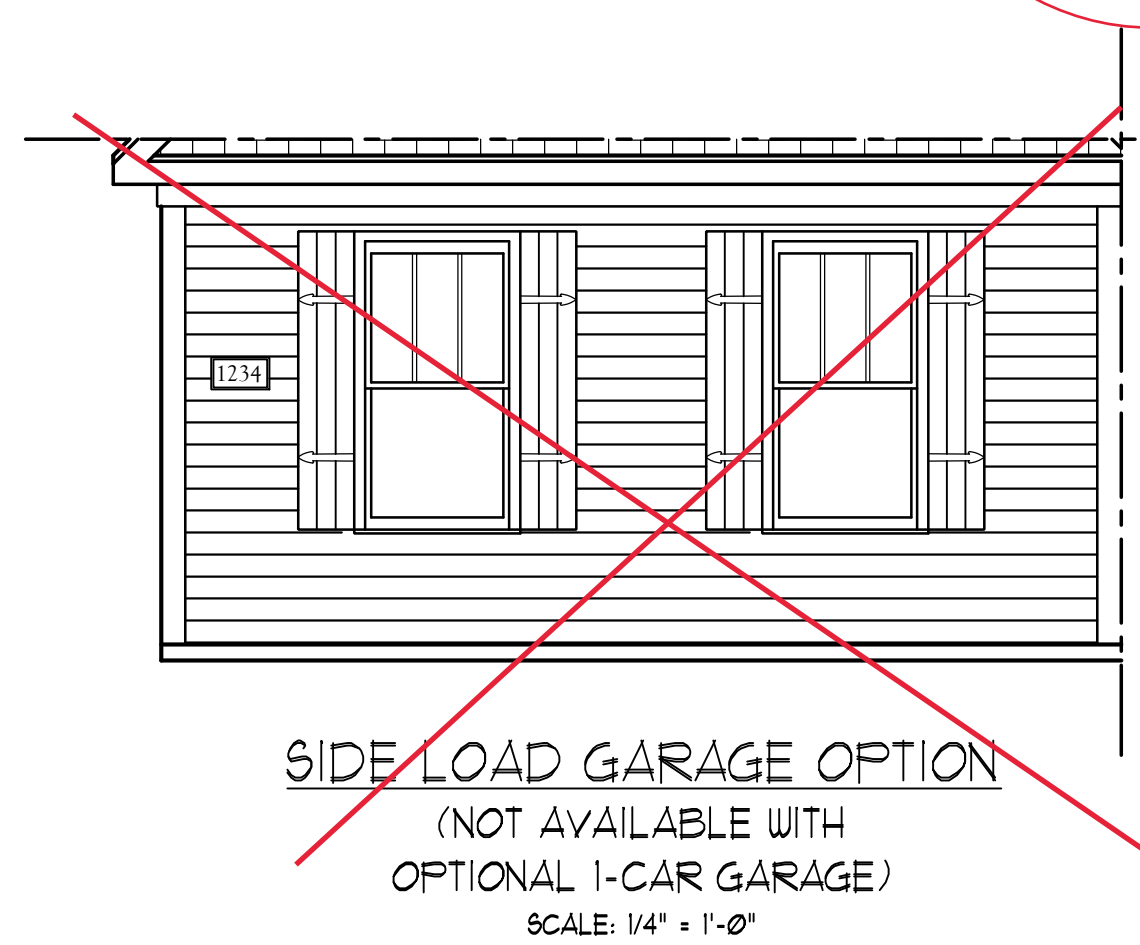
RENAISSANCE RESIDENTIAL DESIGN, INC. HEREBY EXPRESSLY RESERVES ITS COMMON LAW COPYRIGHT AND OTHER PROPERTY RIGHTS IN THESE PLANS. THESE PLANS AND DRAWINGS ARE NOT TO BE REPRODUCED, CHANGED, OR COPIED IN ANY FORM OR MANNER WITHOUT FIRST OBTAINING THE EXPRESS WRITTEN CONSENT OF RENAISSANCE RESIDENTIAL DESIGN, INC. NOR ARE THEY TO BE ASSIGNED TO ANY THIRD PARTY WITHOUT FIRST OBTAINING SAID WRITTEN PERMISSION AND CONSENT.

J.S. THOMPSON ENGINEERING, INC.
606 WADE AVE., SUITE 104
RALEIGH, NC 27605
PHONE: (919) 789-9919
FAX: (919) 789-9921
N.C. LICENSE NO.: C1733



PRICES, PROMOTIONS, INCENTIVES, FEATURES, OPTIONS, FLOOR PLANS, ELEVATIONS, DESIGNS, MATERIALS AND DIMENSIONS ARE SUBJECT TO CHANGE WITHOUT NOTICE. SQUARE FOOTAGE AND DIMENSIONS ARE ESTIMATED AND MAY VARY IN ACTUAL CONSTRUCTION. ALL DIMENSIONS SHALL BE DETERMINED BY THE SITE PLAN AND/OR CUT PLAN. FLOOR PLANS AND ELEVATION RENDERINGS ARE ARTIST CONCEPTIONS. FLOOR PLANS ARE THE COPYRIGHTED PROPERTY OF H&H HOMES. ANY USE, REPRODUCTION, OR MODIFICATION OF THESE PLANS WITHOUT THE EXPRESS WRITTEN PERMISSION OF H&H HOMES IS PROHIBITED. SEE NEW HOME SALES CONSULTANT FOR CURRENT DETAILS. COPYRIGHT © 2018 H&H HOMES

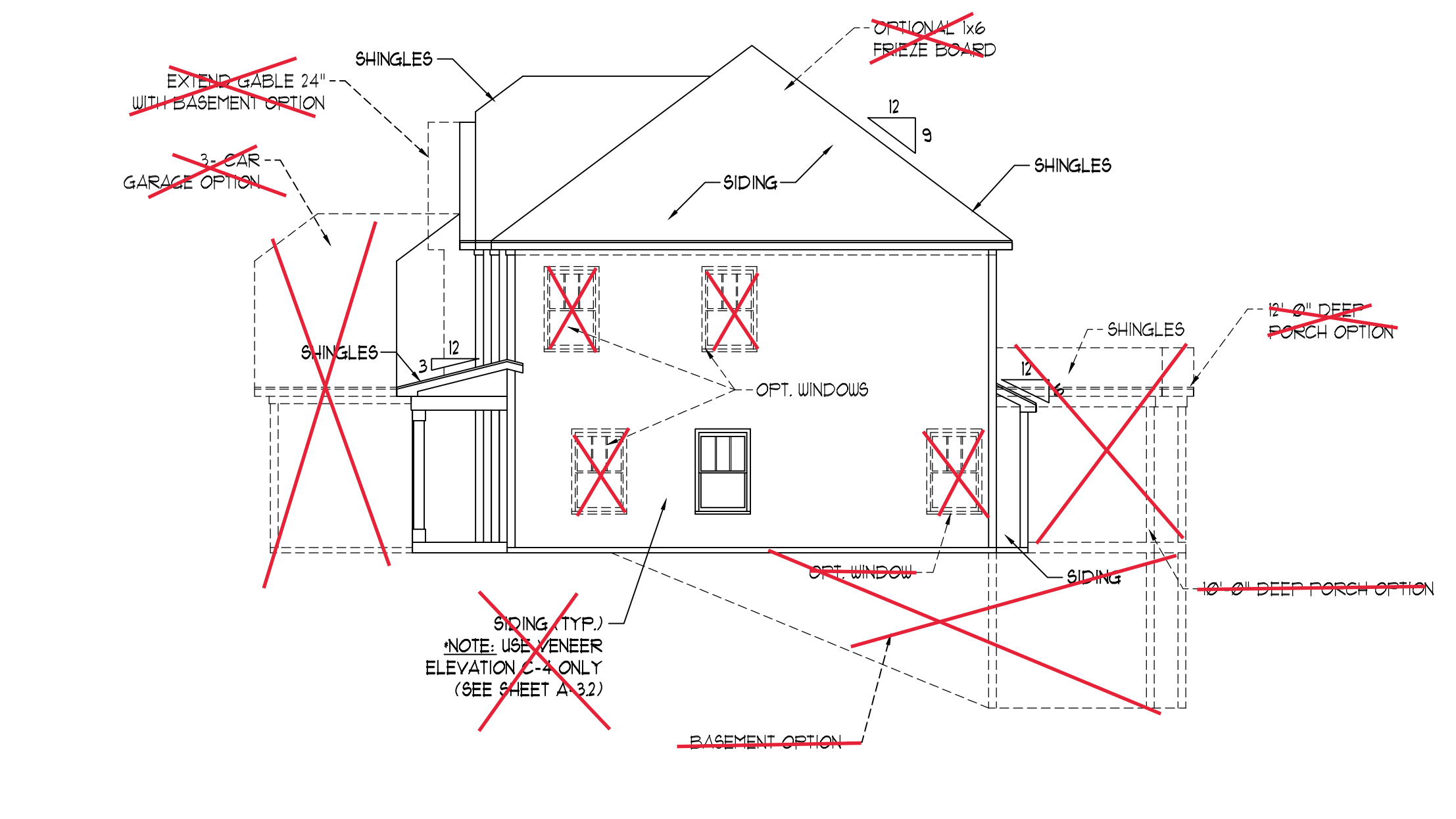
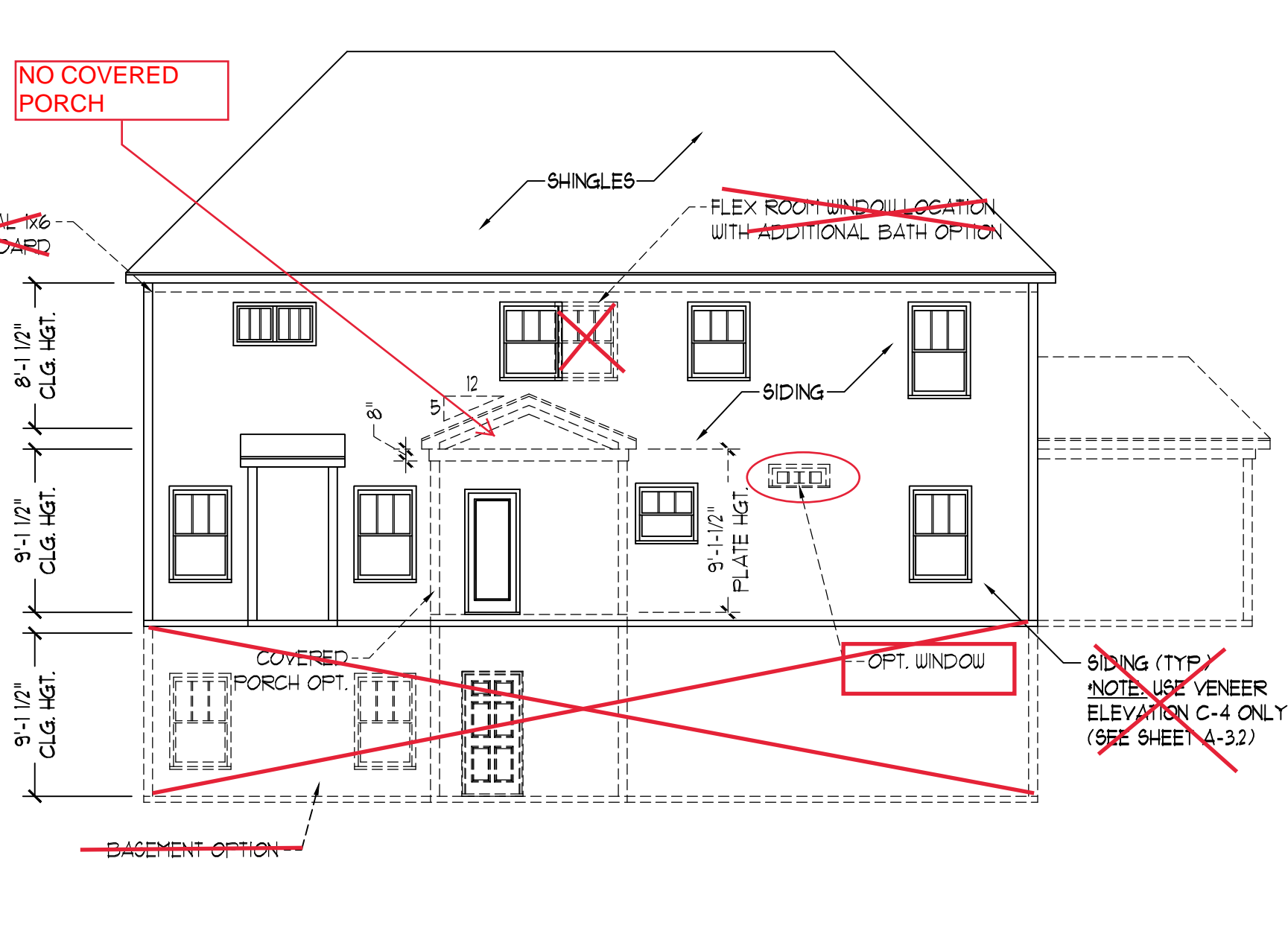
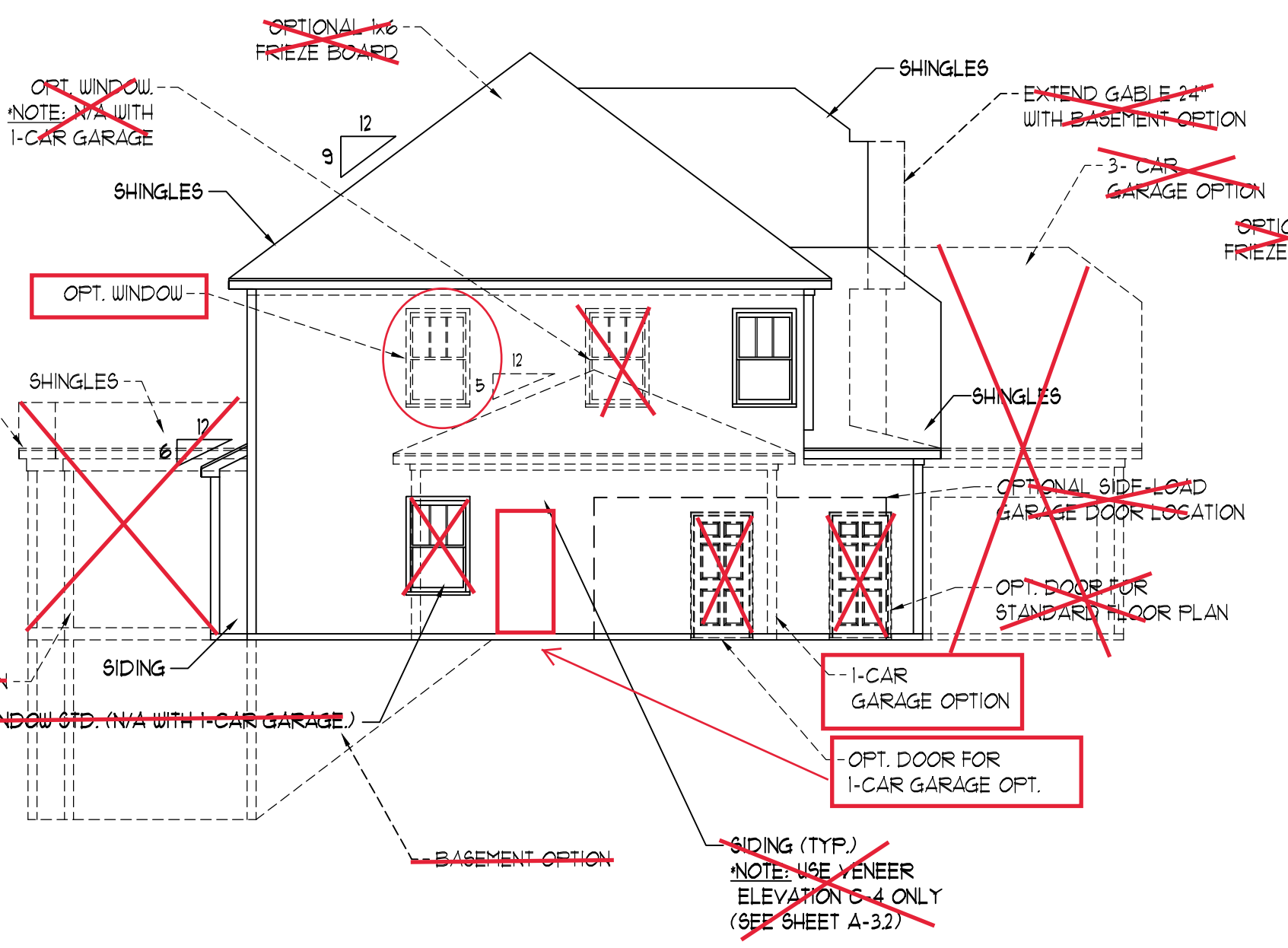
NOTICE TO CONTRACTOR
All construction must comply with current NC Building Codes and is subject to field inspection and verification.
APPROVED
Limited building only review
Permit holder responsible for full compliance with the code
03/16/2021
Baldwin
Harnett COUNTY
NORTH CAROLINA



**** NOTE: SEE PAGE A-3.1 FOR SPECIFIC FRONT ELEVATION-C DETAILS. SEE PAGE A-3.2 FOR C-4 (ALL BRICK) ELEVATIONS**

REPLACE ALL 3/0 5/0 WINDOWS WITH 2/8 5/2 WINDOWS

See Next page For Veneer



H&H HOMES, INC.
WILMINGTON DRIVE LEFT

DATE: FEBRUARY 12, 2018
REV.:
SCALE: AS NOTED
DRAWN BY: WG
ENGINEERED BY: WLF
REVIEWED BY: JES



FRONT ELEVATION-C-1
SCALE: 1/4" = 1'-0"



FRONT ELEVATION-C-2
SCALE: 1/4" = 1'-0"



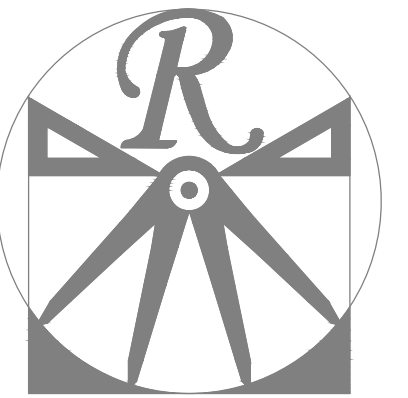
FRONT ELEVATION-C-3
SCALE: 1/4" = 1'-0"

BRICK OR STONE
LEDGE AS SPEC. (TYP.)



FRONT ELEVATION-C-4
SCALE: 1/4" = 1'-0"

BRICK OR STONE
LEDGE AS SPEC. (TYP.)



RENAISSANCE
RESIDENTIAL DESIGN, INC.

4810 GLENMIST CT. | RALEIGH, NC 27612
919 848-4128

WWW.RRDCAROLINA.COM
"The art of transforming your vision into reality."

RENAISSANCE RESIDENTIAL DESIGN, INC. RESERVES THE RIGHT TO MAKE MODIFICATIONS TO FLOOR PLANS, DIMENSIONS, MATERIALS, AND SPECIFICATIONS WITHOUT NOTICE. THESE DRAWINGS ARE FOR THE PURPOSE OF CONVEYING AN ARCHITECTURAL CONCEPT ONLY.

RENAISSANCE RESIDENTIAL DESIGN, INC. HEREBY EXPRESSLY RESERVES ITS COMMON LAW COPYRIGHT AND OTHER PROPERTY RIGHTS IN THESE PLANS. THESE PLANS AND DRAWINGS ARE NOT TO BE REPRODUCED, CHANGED, OR COPIED IN ANY FORM OR MANNER WITHOUT FIRST OBTAINING THE EXPRESS WRITTEN CONSENT OF RENAISSANCE RESIDENTIAL DESIGN, INC. NOR ARE THEY TO BE ASSIGNED TO ANY THIRD PARTY WITHOUT FIRST OBTAINING SAID WRITTEN PERMISSION AND CONSENT.

J.S. THOMPSON
ENGINEERING, INC.
606 WADE AVE., SUITE 104
RALEIGH, NC 27605
PHONE: (919) 789-9119
FAX: (919) 789-9921
N.C. LICENSE NO.: C1733



PRICES, PROMOTIONS, INCENTIVES, FEATURES, OPTIONS, FLOOR PLANS, ELEVATIONS, DESIGNS, MATERIALS AND DIMENSIONS ARE SUBJECT TO CHANGE WITHOUT NOTICE. SQUARE FOOTAGE AND DIMENSIONS ARE ESTIMATED AND MAY VARY IN ACTUAL CONSTRUCTION. ALL DIMENSIONS, FINISHES, AND LOT WILL BE DETERMINED BY THE SITE PLAN AND/OR CITY PLAN. FLOOR PLANS AND ELEVATION RENDERINGS ARE ARTIST CONCEPTIONS. FLOOR PLANS ARE THE COPYRIGHTED PROPERTY OF H&H HOMES. ANY USE, REPRODUCTION, OR MODIFICATION OF THESE PLANS WITHOUT THE WRITTEN PERMISSION OF H&H HOMES IS PROHIBITED. SEE NEW HOME SALES CONSULTANT FOR CURRENT DETAILS. COPYRIGHT © 2018 H&H HOMES

H&H HOMES, INC.
WILMINGTON DRIVE LEFT

DATE: FEBRUARY 12, 2018

REV.:

SCALE: AS NOTED

DRAWN BY: WG

ENGINEERED BY: WLF

REVIEWED BY: JES

C - ELEVATION
OPTIONS

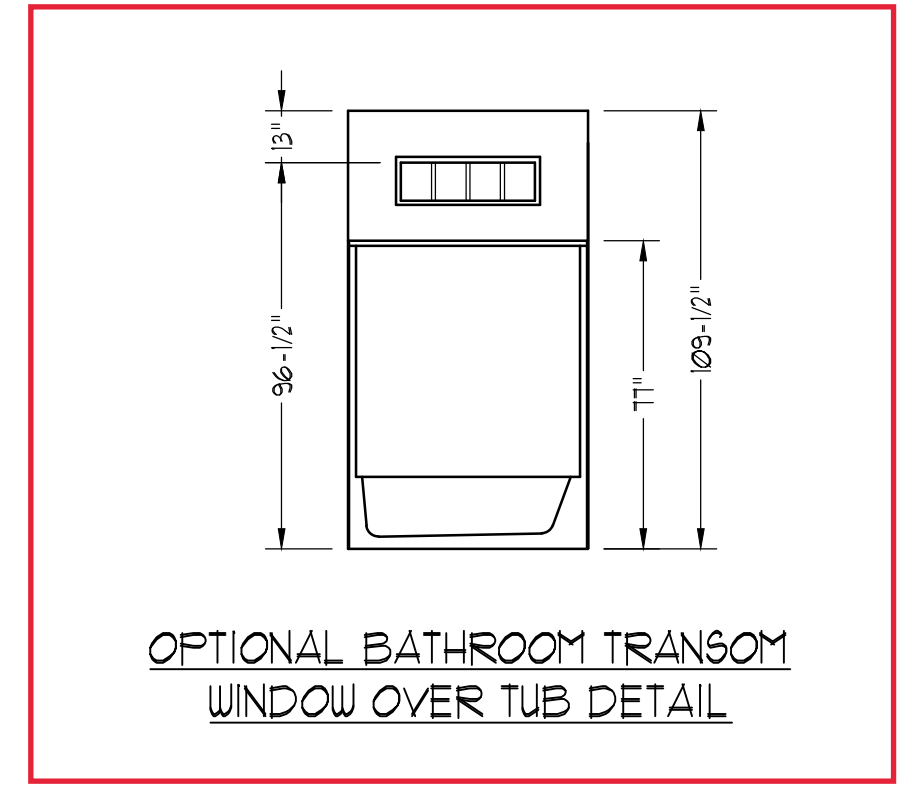
A-3.1

SQUARE FOOTAGE	
1st FLOOR:	1283 SQ. FT.
2nd FLOOR:	1582 SQ. FT.
TOTAL:	2865 SQ. FT.
FRONT PORCH:	105 SQ. FT.
STD. REAR PATIO:	110 SQ. FT.
GARAGE:	428 SQ. FT.

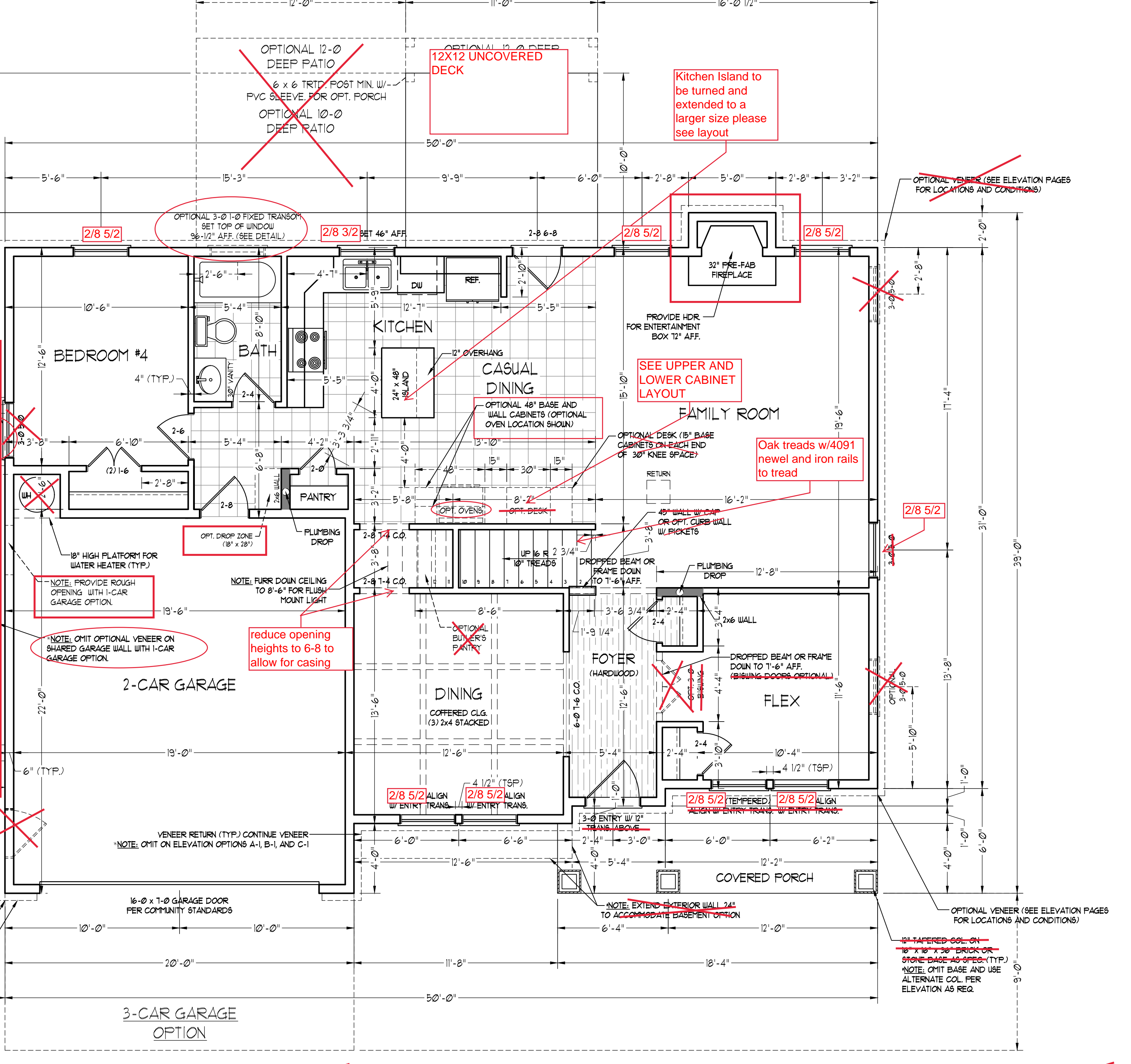
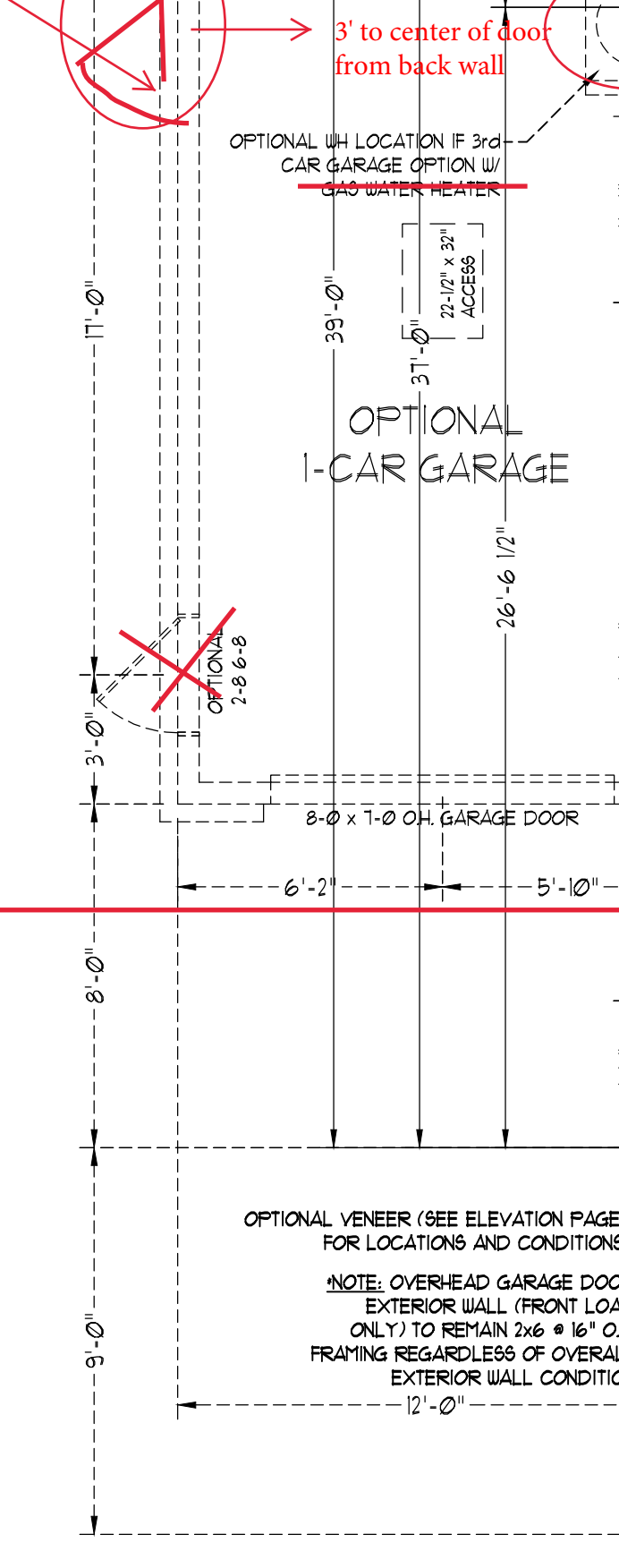
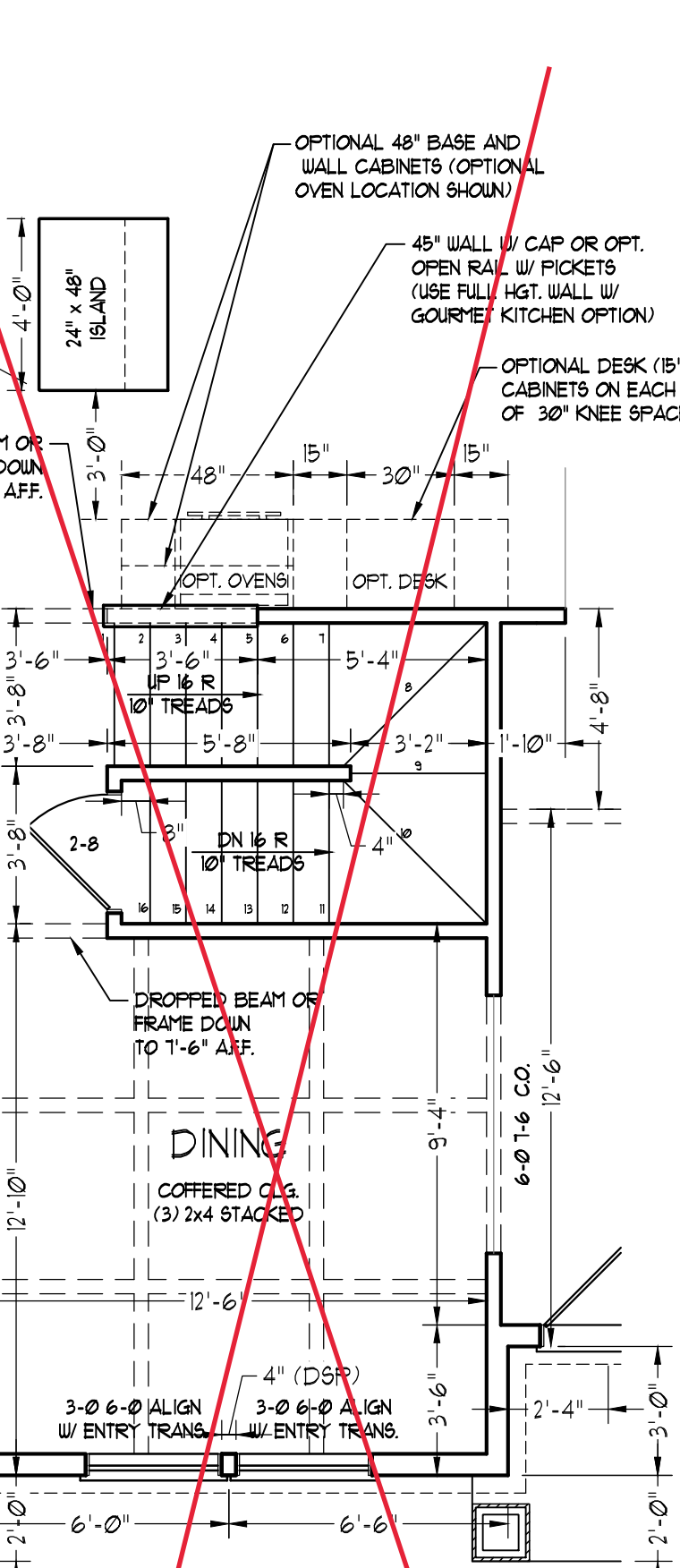
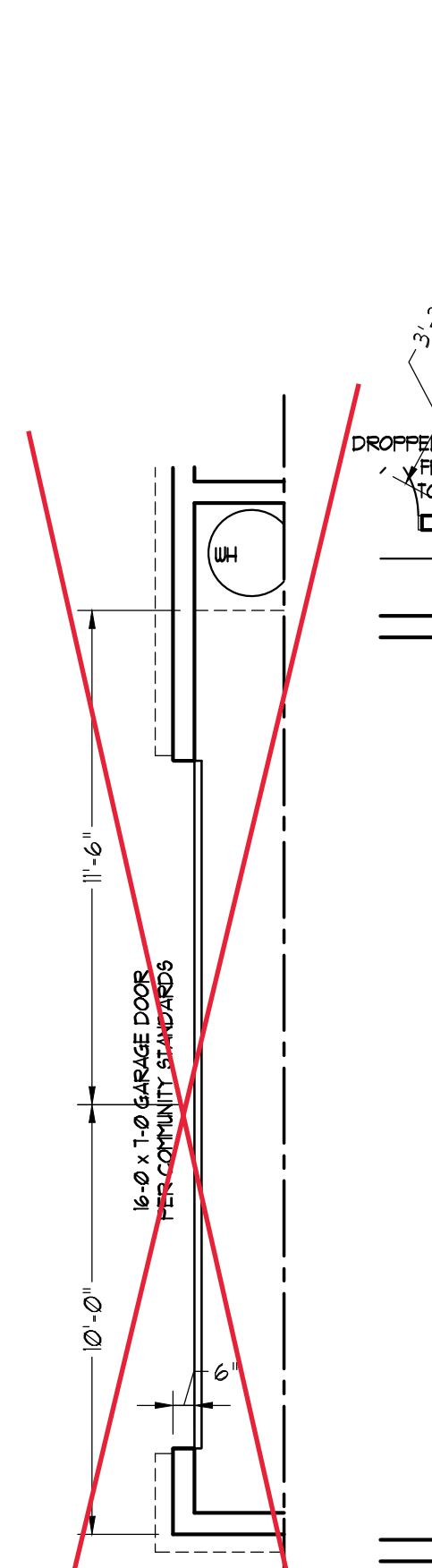
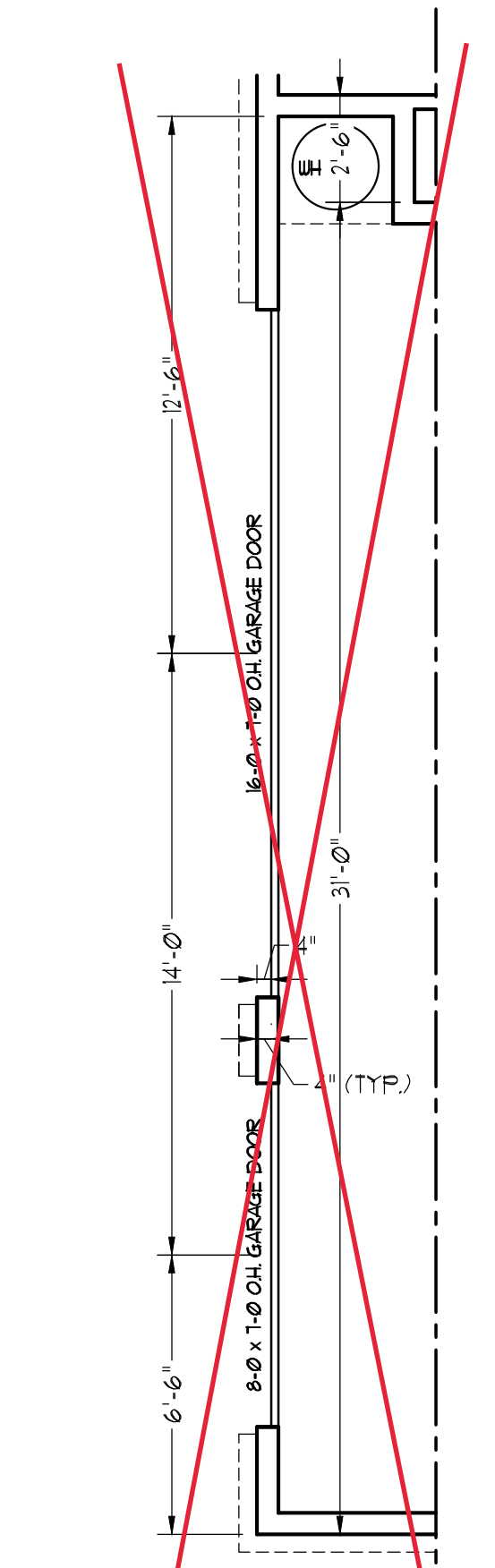
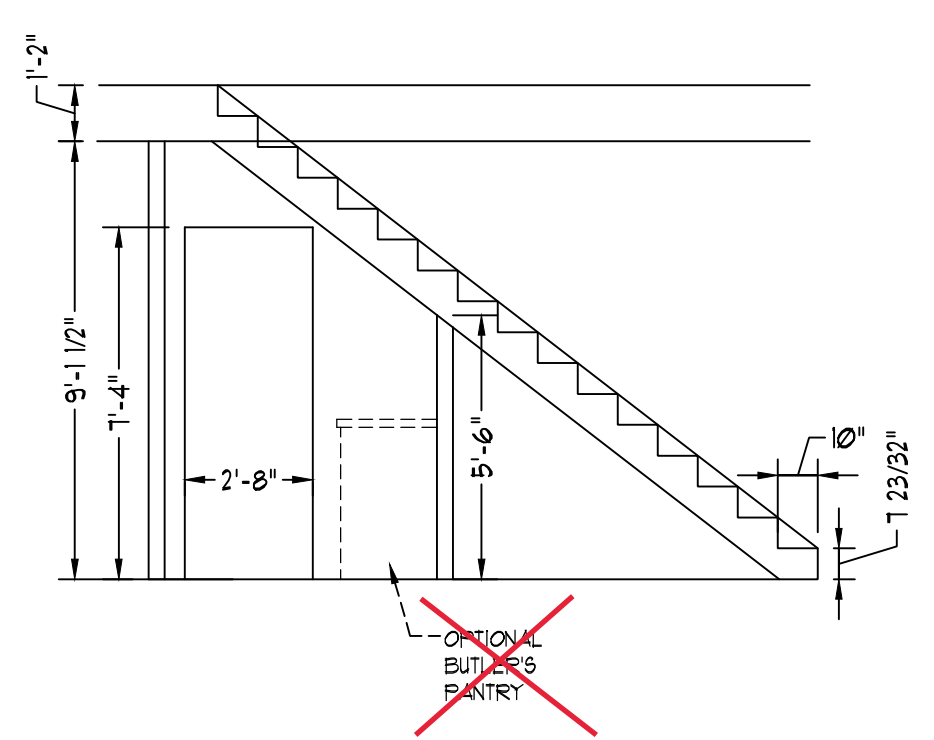
***NOTE: ALL EXTERIOR WALLS AND ATTIC WALLS ARE TO BE 2 x 6 @ 16" O.C. (UNO). 2 x 4 @ 16" O.C. EXTERIOR WALLS MAY BE CONSTRUCTED IN LIEU OF 2 x 6 WALLS (UNO). ALL INTERIOR LOAD BEARING WALLS ARE TO BE 2 x 4 @ 16" O.C. (UNO) AND NON-LOAD BEARING INTERIOR WALLS ARE TO BE 2 x 4 @ 24" O.C. (UNO).**

SQUARE FOOTAGE (OPTIONS)	
UNFINISHED BASEMENT:	1300 SQ. FT.
1st FLOOR (W/ BASEMENT):	1308 SQ. FT.
2nd FLOOR (W/ BASEMENT):	1601 SQ. FT.
1st FLOOR (ALL BRICK):	1336 SQ. FT.
2nd FLOOR (ALL BRICK):	1634 SQ. FT.
GARAGE (ALL BRICK):	443 SQ. FT.
1-CAR GARAGE:	240 SQ. FT.
1-CAR GARAGE (ALL BRICK):	258 SQ. FT.
3-CAR GARAGE:	601 SQ. FT.
3-CAR GARAGE (ALL BRICK):	633 SQ. FT.
UNFINISHED BASEMENT (ALL BRICK):	1358 SQ. FT.
1st FLOOR (ALL BRICK W/ BASEMENT):	1361 SQ. FT.
2nd FLOOR (ALL BRICK W/ BASEMENT):	1668 SQ. FT.
REAR PORCH (10'-0" DEEP):	110 SQ. FT.
REAR PORCH (12'-0" DEEP):	132 SQ. FT.
OPT. PATIO/ DECK (10'-0" DEEP):	120 SQ. FT.
OPT. PATIO/ DECK (12'-0" DEEP):	144 SQ. FT.

2x6 WALL
 * SHADED WALLS ARE TO BE 2 x 6 @ 16" O.C. (LOAD BEARING) OR 2 x 6 @ 24" O.C. (NON-LOAD BEARING) REGARDLESS OF EXTERIOR WALL CONDITION



STAIR PROFILE
 (FROM DINING ROOM)
 STANDRD STAIRS SHOWN



3-CAR GARAGE OPTION
 (NOT AVAILABLE WITH OPTIONAL ONE-CAR GARAGE)

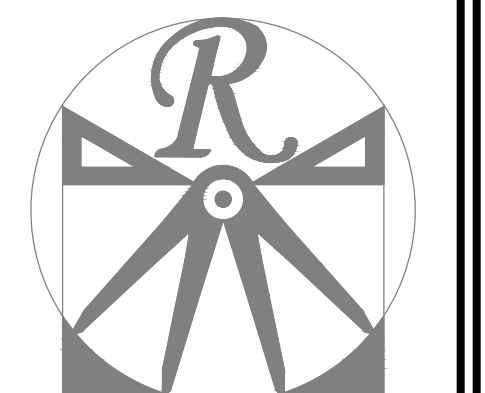
SIDE-LOAD GARAGE OPTION
 (NOT AVAILABLE WITH OPTIONAL ONE-CAR GARAGE)

FF STAIRS W/ BASEMENT OPTION

SIDE-LOAD GARAGE OPTION
 (NOT AVAILABLE WITH OPTIONAL ONE-CAR GARAGE)

OPTIONAL VENEER (SEE ELEVATION PAGES FOR LOCATIONS AND CONDITIONS)

DOUBLE GARAGE DOOR OPTION
 NOTE: OVERHEAD GARAGE DOOR EXTERIOR WALL FRONT LOAD ONLY TO REMAIN 2x6 @ 16" O.C. FRAMING REGARDLESS OF OVERALL EXTERIOR WALL CONDITION



RENAISSANCE RESIDENTIAL DESIGN, INC.
 4810 GLENMIST CT. | RALEIGH, NC 27612
 (919) 848-4128
 WWW.RRDCAROLINA.COM

The art of transforming your vision into reality.
 RENAISSANCE RESIDENTIAL DESIGN, INC. RESERVES THE RIGHT TO MAKE MODIFICATIONS TO FLOOR PLANS, DIMENSIONS, MATERIALS, AND SPECIFICATIONS WITHOUT NOTICE. THESE DRAWINGS ARE FOR THE PURPOSE OF CONVEYING AN ARCHITECTURAL CONCEPT ONLY.

RENAISSANCE RESIDENTIAL DESIGN, INC. HEREBY EXPRESSLY RESERVES ITS COMMON LAW COPYRIGHT AND OTHER PROPERTY RIGHTS IN THESE PLANS. THESE PLANS AND DRAWINGS ARE NOT TO BE REPRODUCED, CHANGED, OR COPIED IN ANY FORM OR MANNER WITHOUT FIRST OBTAINING THE EXPRESS WRITTEN CONSENT OF RENAISSANCE RESIDENTIAL DESIGN, INC. NOR ARE THEY TO BE ASSIGNED TO ANY THIRD PARTY WITHOUT FIRST OBTAINING SAID WRITTEN PERMISSION AND CONSENT.

J.S. THOMPSON ENGINEERING, INC.
 606 WADE AVE., SUITE 104
 RALEIGH, NC 27605
 PHONE: (919) 789-9119
 FAX: (919) 789-9121
 N.C. LICENSE NO.: C1733

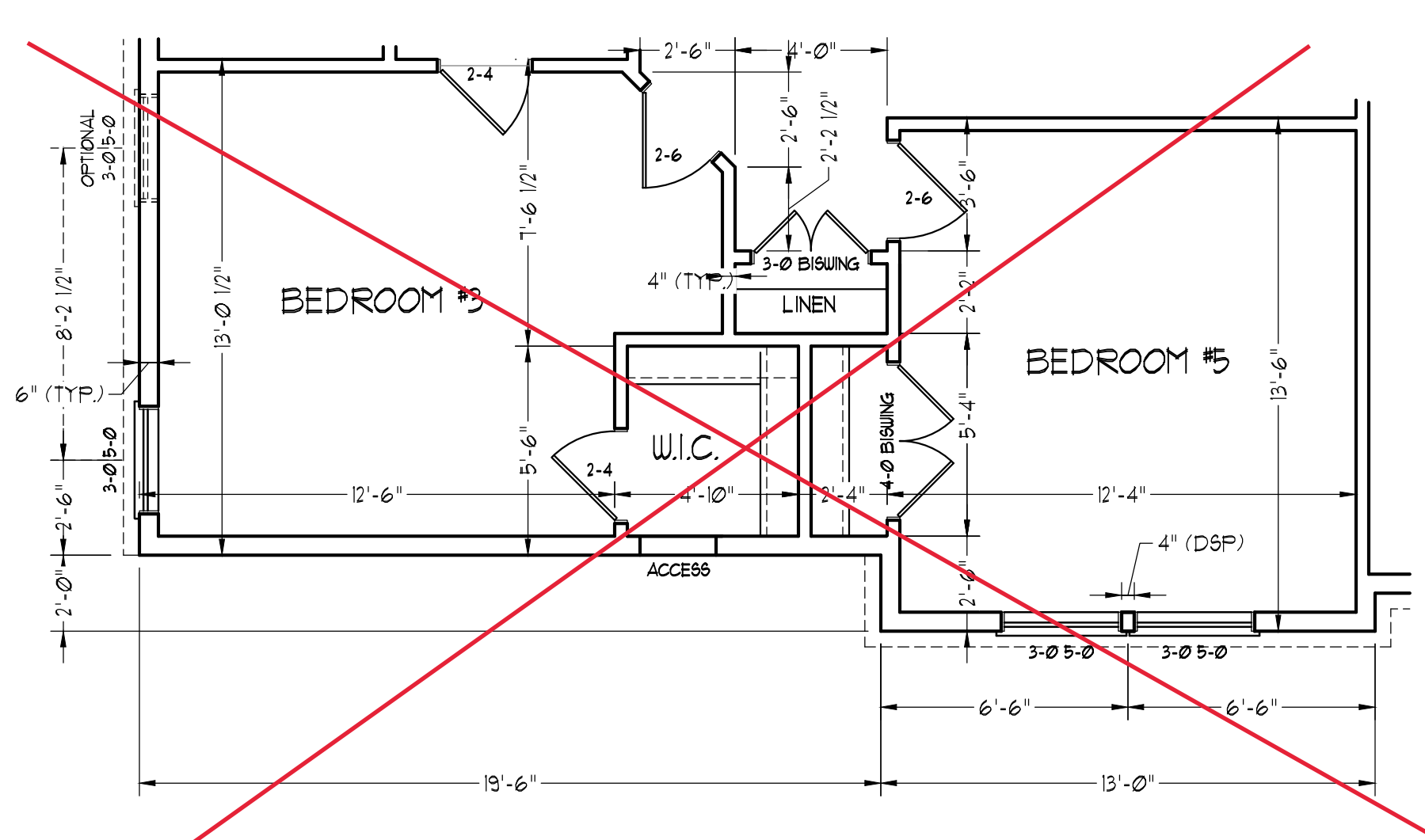


PRICES, PROMOTIONS, INCENTIVES, FEATURES, OPTIONS, FLOOR PLANS, ELEVATIONS, DESIGNS, MATERIALS AND DIMENSIONS ARE SUBJECT TO CHANGE WITHOUT NOTICE. SQUARE FOOTAGE AND DIMENSIONS ARE ESTIMATED AND MAY VARY IN ACTUAL CONSTRUCTION. ALL DIMENSIONS ARE TO FACE UNLESS OTHERWISE NOTED. THIS SITE PLAN AND/OR FLOOR PLAN WILL BE REFERRED TO AS THE "SITE PLAN AND/OR FLOOR PLAN". FLOOR PLANS AND ELEVATIONS RENDERINGS ARE ARTIST CONCEPTIONS. FLOOR PLANS ARE THE COPYRIGHTED PROPERTY OF H&H HOMES. ANY USE, REPRODUCTION, OR MODIFICATION OF THESE PLANS WITHOUT THE WRITTEN PERMISSION OF H&H HOMES IS PROHIBITED. SEE NEW HOME SALES CONSULTANT FOR CURRENT DETAILS. COPYRIGHT © 2018 H&H HOMES

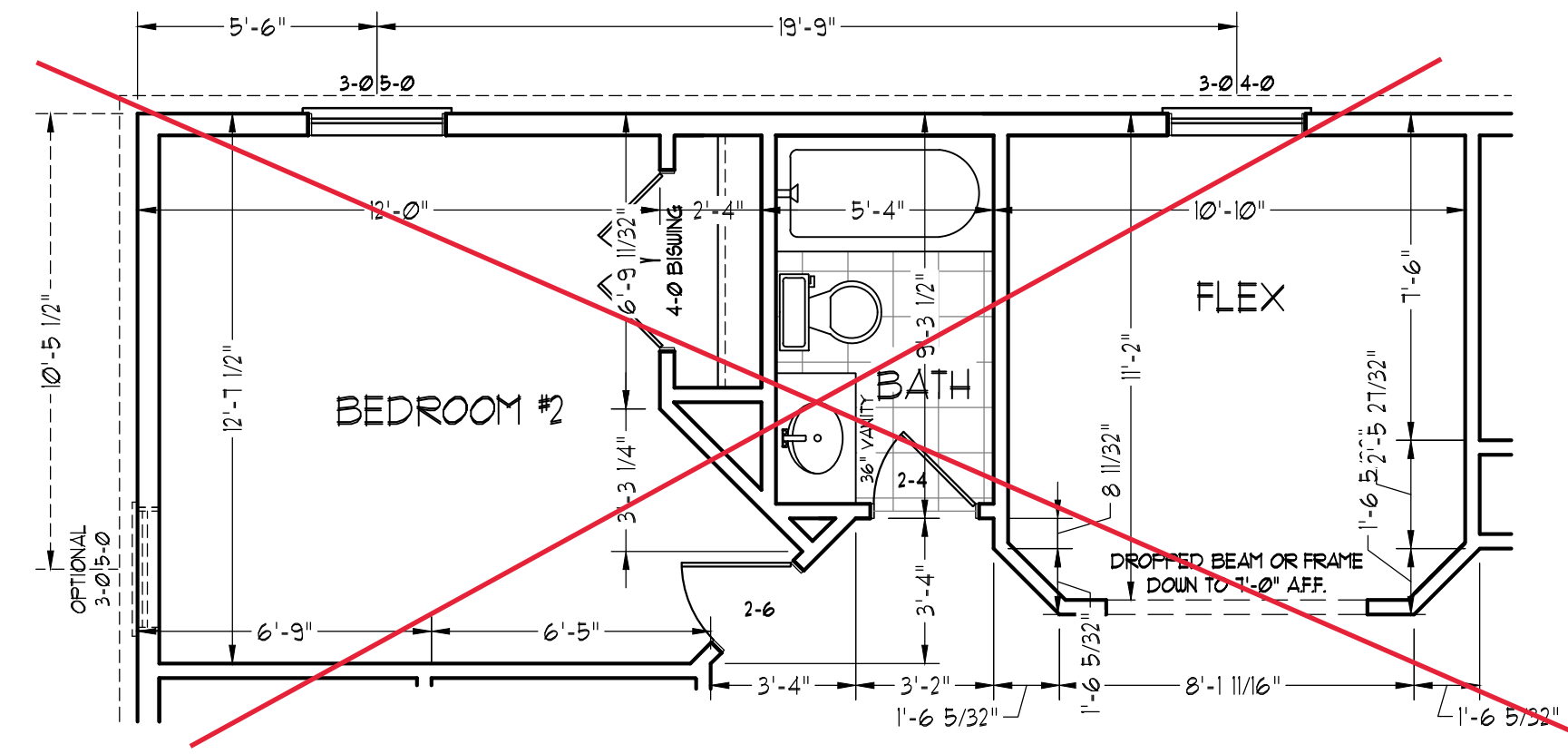
H&H HOMES, INC.
 WILMINGTON DRIVE LEFT

DATE: FEBRUARY 12, 2018
 REV.:
 SCALE: 1/4"=1'-0"
 DRAWN BY: WG
 ENGINEERED BY: WLF
 REVIEWED BY: JES

FIRST FLOOR PLAN
 A-5



BEDROOM #5 OPTION

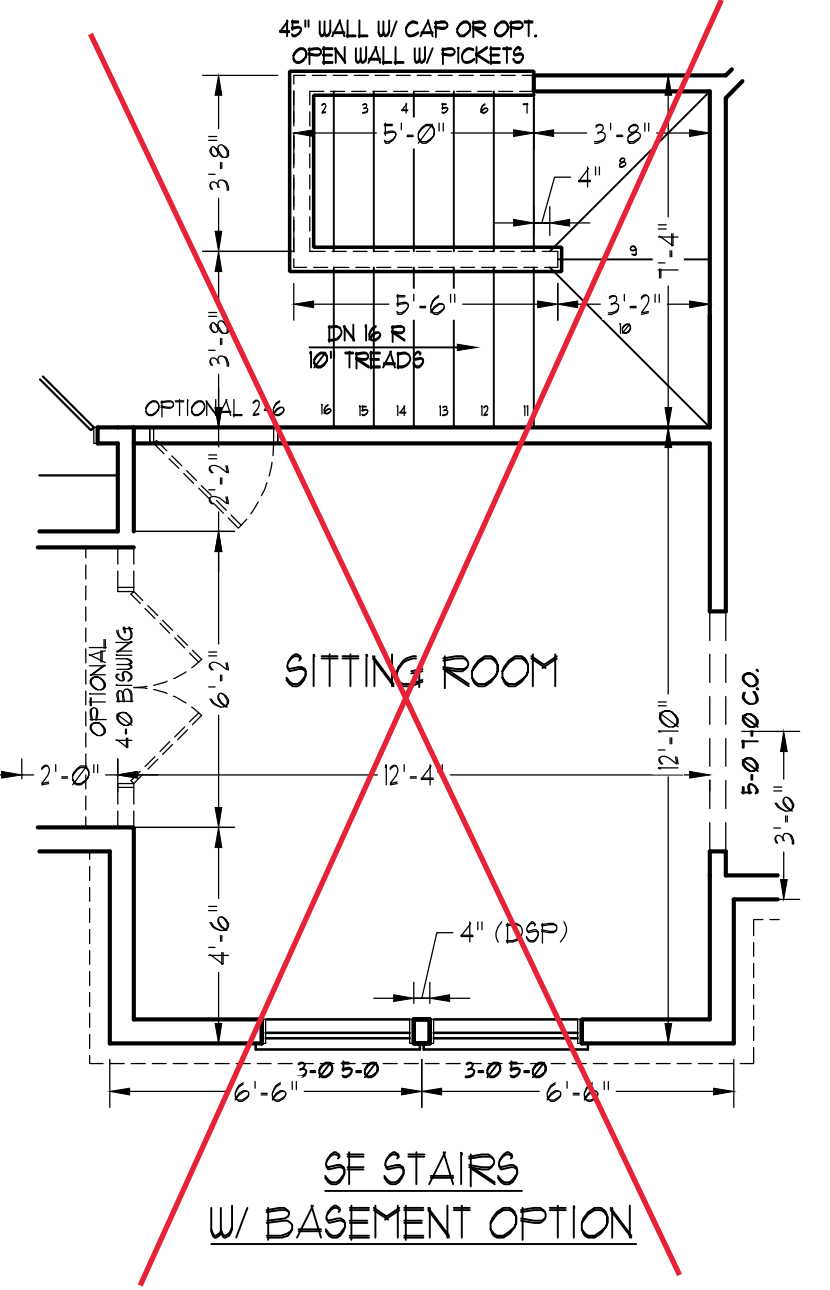


BATHROOM #4 OPTION

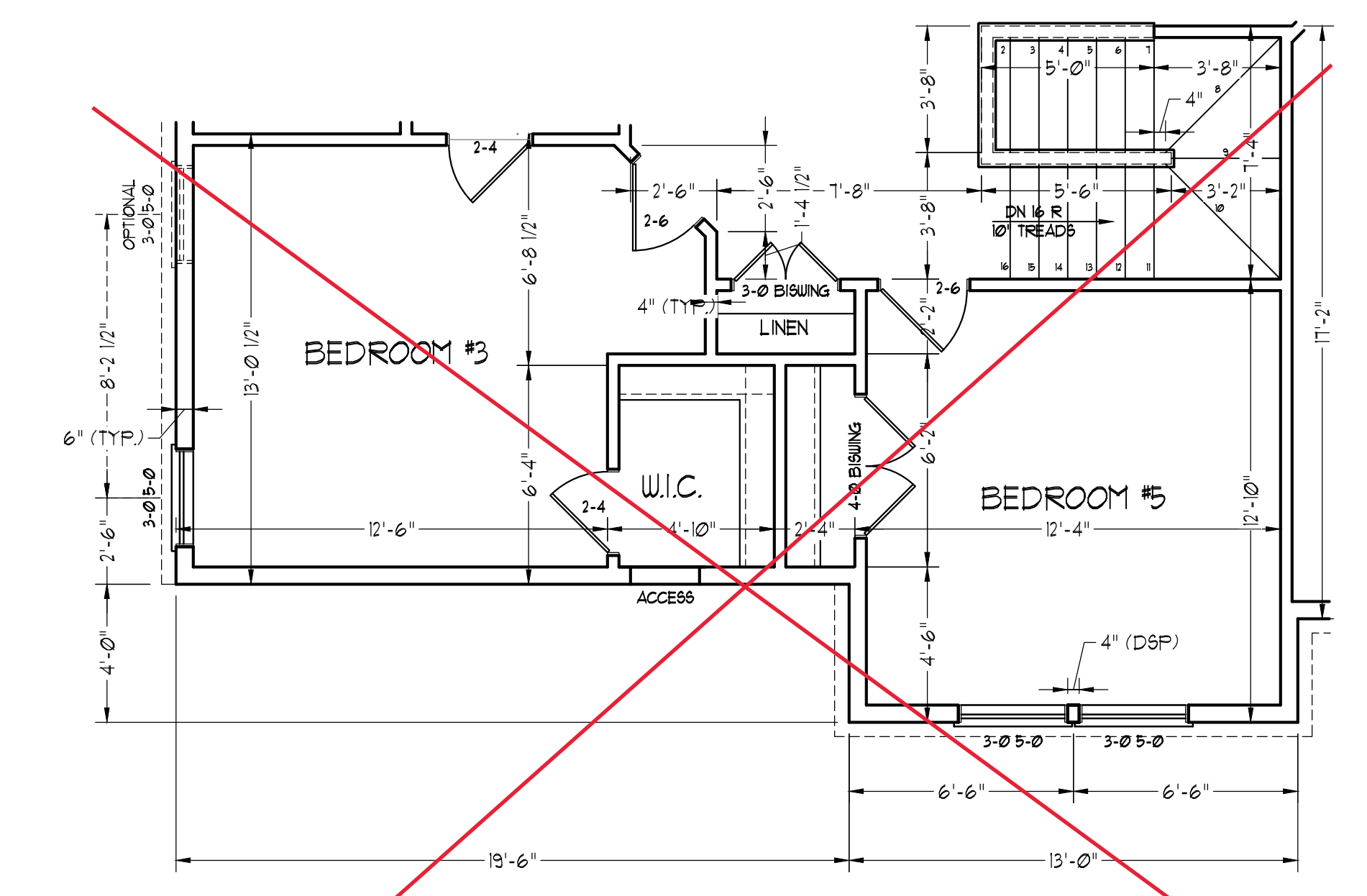
LVP TO BE INSTALLED IN HALL ON 2ND FLIGHT; FRAME STAIRS ACCORDINGLY

***NOTE: ALL EXTERIOR WALLS AND ATTIC WALLS ARE TO BE 2 x 6 @ 16" O.C. (UNO). 2 x 4 @ 16" O.C. EXTERIOR WALLS MAY BE CONSTRUCTED IN LIEU OF 2 x 6 WALLS (UNO). ALL INTERIOR LOAD BEARING WALLS ARE TO BE 2 x 4 @ 16" O.C. (UNO) AND NON-LOAD BEARING INTERIOR WALLS ARE TO BE 2 x 4 @ 24" O.C. (UNO).**

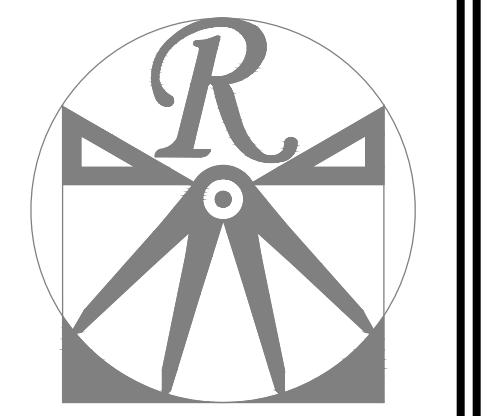
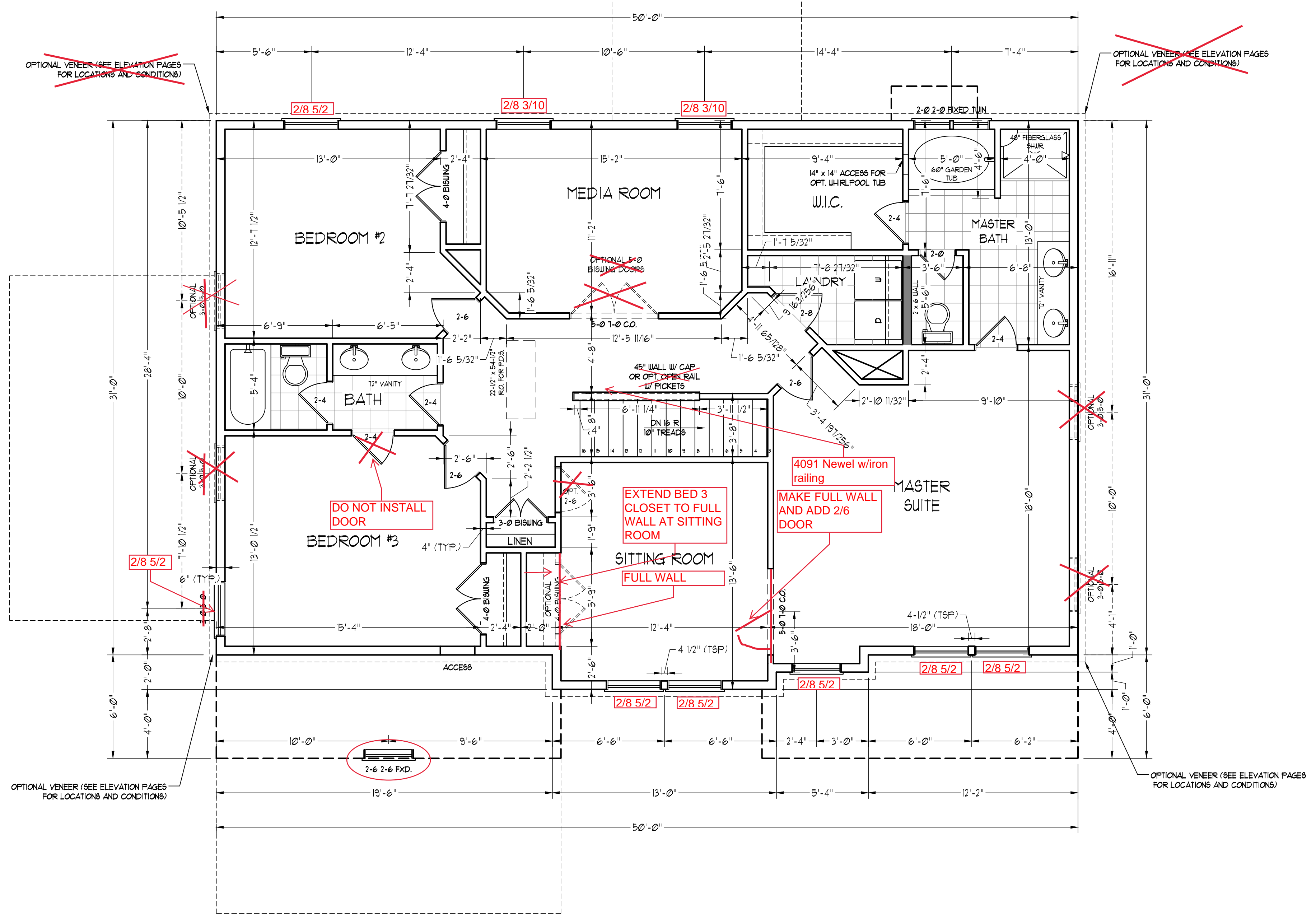
2x6 WALL
 * SHADED WALLS ARE TO BE 2 x 6 @ 16" O.C. (LOAD BEARING) OR 2 x 6 @ 24" O.C. (NON-LOAD BEARING) REGARDLESS OF EXTERIOR WALL CONDITION



SF STAIRS W/ BASEMENT OPTION



BEDROOM #5 OPTION (WITH OPTIONAL BASEMENT)



RENAISSANCE RESIDENTIAL DESIGN, INC.
 4810 GLENMIST CT. | RALEIGH, NC 27612
 (919) 484-4128
 WWW.RRDCAROLINA.COM
 "The art of transforming your vision into reality."
 RENAISSANCE RESIDENTIAL DESIGN, INC. HEREBY EXPRESSLY RESERVES ITS RIGHT TO MAKE MODIFICATIONS TO FLOOR PLANS, DIMENSIONS, MATERIALS, AND SPECIFICATIONS WITHOUT NOTICE. THESE DRAWINGS ARE FOR THE PURPOSE OF CONVEYING AN ARCHITECTURAL CONCEPT ONLY.
 RENAISSANCE RESIDENTIAL DESIGN, INC. HEREBY EXPRESSLY RESERVES ITS COMMON LAW COPYRIGHT AND OTHER PROPERTY RIGHTS IN THESE PLANS. THESE PLANS AND DRAWINGS ARE NOT TO BE REPRODUCED, CHANGED, OR COPIED IN ANY FORM OR MANNER WITHOUT FIRST OBTAINING THE EXPRESS WRITTEN CONSENT OF RENAISSANCE RESIDENTIAL DESIGN, INC. NOR ARE THEY TO BE ASSIGNED TO ANY THIRD PARTY WITHOUT FIRST OBTAINING SAID WRITTEN PERMISSION AND CONSENT.

J.S. THOMPSON ENGINEERING, INC.
 606 WADE AVE., SUITE 104
 RALEIGH, NC 27605
 PHONE: (919) 789-9199
 FAX: (919) 789-9921
 N.C. LICENSE NO.: C1733

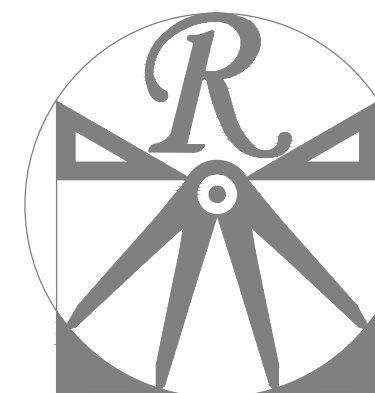


PRICES, PROMOTIONS, INCENTIVES, FEATURES, OPTIONS, FLOOR PLANS, ELEVATIONS, DESIGNS, MATERIALS AND DIMENSIONS ARE SUBJECT TO CHANGE WITHOUT NOTICE. SQUARE FOOTAGE AND DIMENSIONS ARE ESTIMATED AND MAY VARY IN ACTUAL CONSTRUCTION. ALL DIMENSIONS SHALL BE DETERMINED BY THE SITE PLAN AND/OR FLOOR PLANS. FLOOR PLANS AND ELEVATIONS/RENDERINGS ARE ARTIST CONCEPTIONS. FLOOR PLANS ARE THE COPYRIGHTED PROPERTY OF H&H HOMES. ANY USE, REPRODUCTION, OR MODIFICATION OF THESE PLANS WITHOUT THE WRITTEN PERMISSION OF H&H HOMES IS PROHIBITED. SEE NEW HOME SALES CONSULTANT FOR CURRENT DETAILS. COPYRIGHT © 2018 H&H HOMES

H&H HOMES, INC.
 WILMINGTON DRIVE LEFT

DATE: FEBRUARY 12, 2018
 REV.:
 SCALE: 1/4"=1'-0"
 DRAWN BY: WG
 ENGINEERED BY: WLF
 REVIEWED BY: JES

SECOND FLOOR PLAN
 A-6



RENAISSANCE
RESIDENTIAL DESIGN, INC.

4810 GLENMIST CT. | RALEIGH, NC 27612
(919) 848-4128

WWW.RENOCAROLINA.COM

"The art of transforming your vision into reality."

RENAISSANCE RESIDENTIAL DESIGN, INC.
RESERVES THE RIGHT TO MAKE
MODIFICATIONS TO FLOOR PLANS,
DIMENSIONS, MATERIALS, AND
SPECIFICATIONS WITHOUT NOTICE.
THESE DRAWINGS ARE FOR THE
PURPOSE OF CONVEYING AN
ARCHITECTURAL CONCEPT ONLY.

RENAISSANCE RESIDENTIAL DESIGN, INC.
HEREBY EXPRESSLY RESERVES ITS
COMMON LAW COPYRIGHT AND OTHER
PROPERTY RIGHTS IN THESE PLANS.
THESE PLANS AND DRAWINGS ARE NOT
TO BE REPRODUCED, CHANGED, OR
COPIED IN ANY FORM OR MANNER
WITHOUT FIRST OBTAINING THE EXPRESS
WRITTEN CONSENT OF RENAISSANCE
RESIDENTIAL DESIGN, INC. NOR ARE
THEY TO BE ASSIGNED TO ANY THIRD
PARTY WITHOUT FIRST OBTAINING SAID
WRITTEN PERMISSION AND CONSENT.

**J.S. THOMPSON
ENGINEERING, INC**
600 WADE AVE., SUITE 104
RALEIGH, NC 27605
PHONE: (919) 789-9119
FAX: (919) 789-9921
N.C. LICENSE NO.: C1733



PRICES, PROMOTIONS, INCENTIVES, FEATURES,
OPTIONS, FLOOR PLANS, ELEVATIONS, DESIGNS,
MATERIALS AND DIMENSIONS ARE SUBJECT TO CHANGE
WITHOUT NOTICE. SQUARE FOOTAGE AND DIMENSIONS
ARE ESTIMATED AND MAY VARY IN ACTUAL
CONSTRUCTION. ALL DIMENSIONS SHALL BE
DETERMINED BY THE SITE PLAN AND/OR LOT
FLOOR PLANS AND ELEVATION RENDERINGS ARE ARTIST
CONCEPTIONS. FLOOR PLANS ARE THE COPYRIGHTED
PROPERTY OF H&H HOMES. ANY USE, REPRODUCTION,
OR MODIFICATION OF THESE PLANS WITHOUT THE
WRITTEN PERMISSION OF H&H HOMES IS STRICTLY
PROHIBITED. SEE NEW HOME SALES CONSULTANT FOR
CURRENT DETAILS. COPYRIGHT © 2018 H&H HOMES

H&H HOMES, INC.
WILMINGTON DRIVE LEFT

DATE: FEBRUARY 12, 2018

REV.:

SCALE: 1/4"=1'-0"

DRAWN BY: WG

ENGINEERED BY: WLF

REVIEWED BY: JES

FIRST FLOOR
ELECTRICAL
PLAN

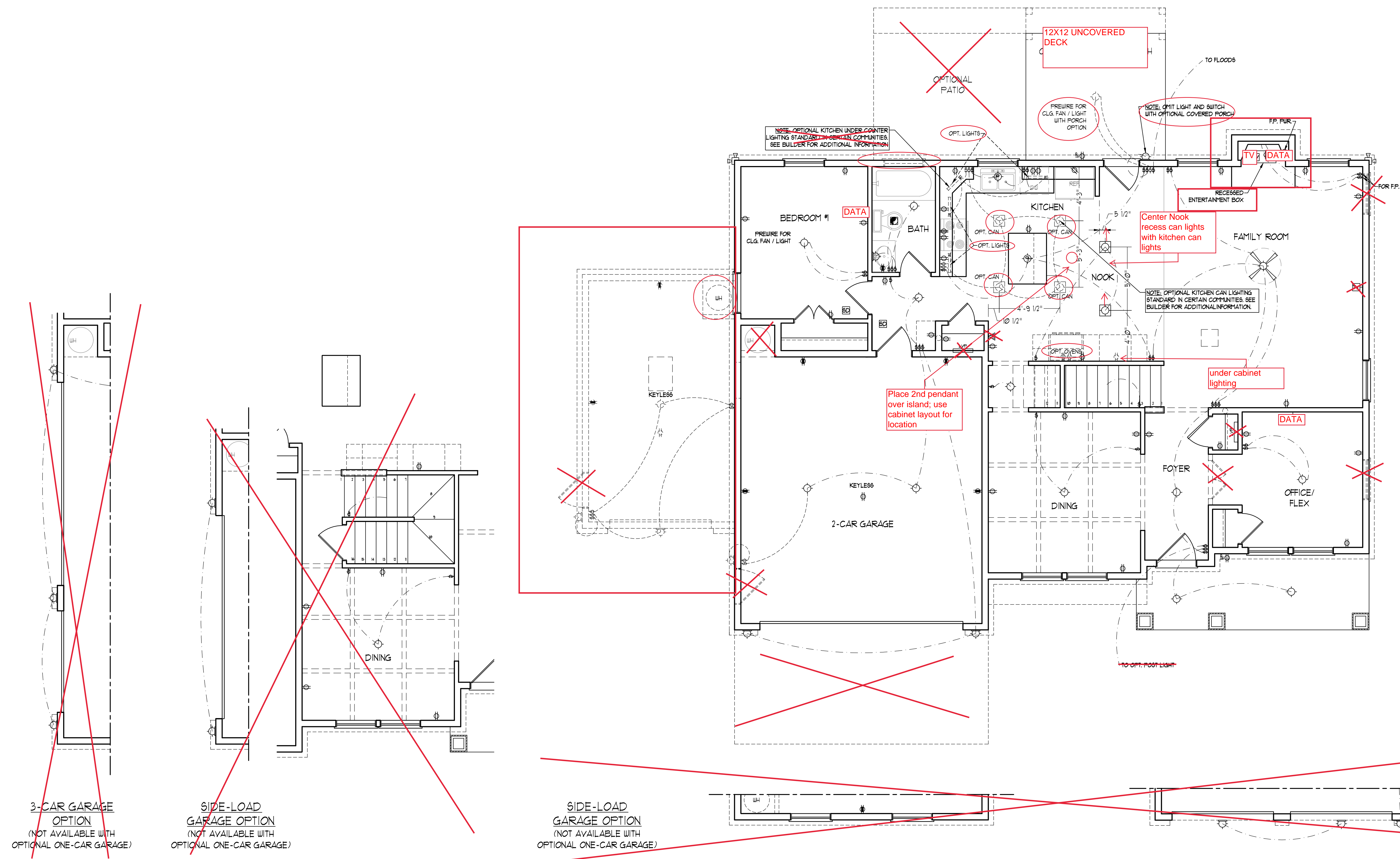
E-1

DATA RUNS TO BE CAT6
PREWIRE SURROUND SOUND IN FAMILY ROOM
AND MEDIA ROOM

ELECTRICAL LAYOUT NOTES:
1) BLOCK AND WIRE FOR ALL
CEILING FANS PER PLAN.
2) VANITY LIGHTS TO BE SET
90° AFF. (TYP.)
3) ADDITIONAL EXTERIOR OUTLETS
REQUIRED BY CODE TO BE
LOCATED BY ELECTRICIAN.
4) PLACE SWITCHES 8" (MIN) FROM
ROUGH OPENINGS.

ELECTRICAL LEGEND

- 120 V OUTLET
- 120 V GFI OUTLET
- 120 V SWITCHED OUTLET
- 120 V BASEBOARD OUTLET
- 4-FLEX
- COUNTER OR FLOOR MOUNTED
- COUNTER OR FLOOR MOUNTED 120V GFI
- WEATHERPROOF
- 220 V OUTLET
- 120 V DEDICATED OUTLET
- 220 V DEDICATED CIRCUIT
- SPECIAL PURPOSE (240 V, ETC.)
- WALL MOUNT LIGHT
- CEILING MOUNT LIGHT
- PENDANT LIGHT
- RECESSED CAN LIGHT
- MINI CAN LIGHT
- EYEBALL LIGHT
- FLUORESCENT LIGHT
- UNDERCABINET LIGHT
- FLOOD LIGHT
- SWITCH
- 3-WAY SWITCH
- 4-WAY SWITCH
- DIMMER SWITCH
- TELEPHONE
- TV CONNECTION
- CONDUIT FOR COMPONENT WIRING
- SPEAKER
- DOORBELL CHIME
- 120 V SMOKE DETECTOR
- EXHAUST FAN
- LOW VOLTAGE PANEL
- CEILING FAN
- CEILING FAN W/ LIGHT

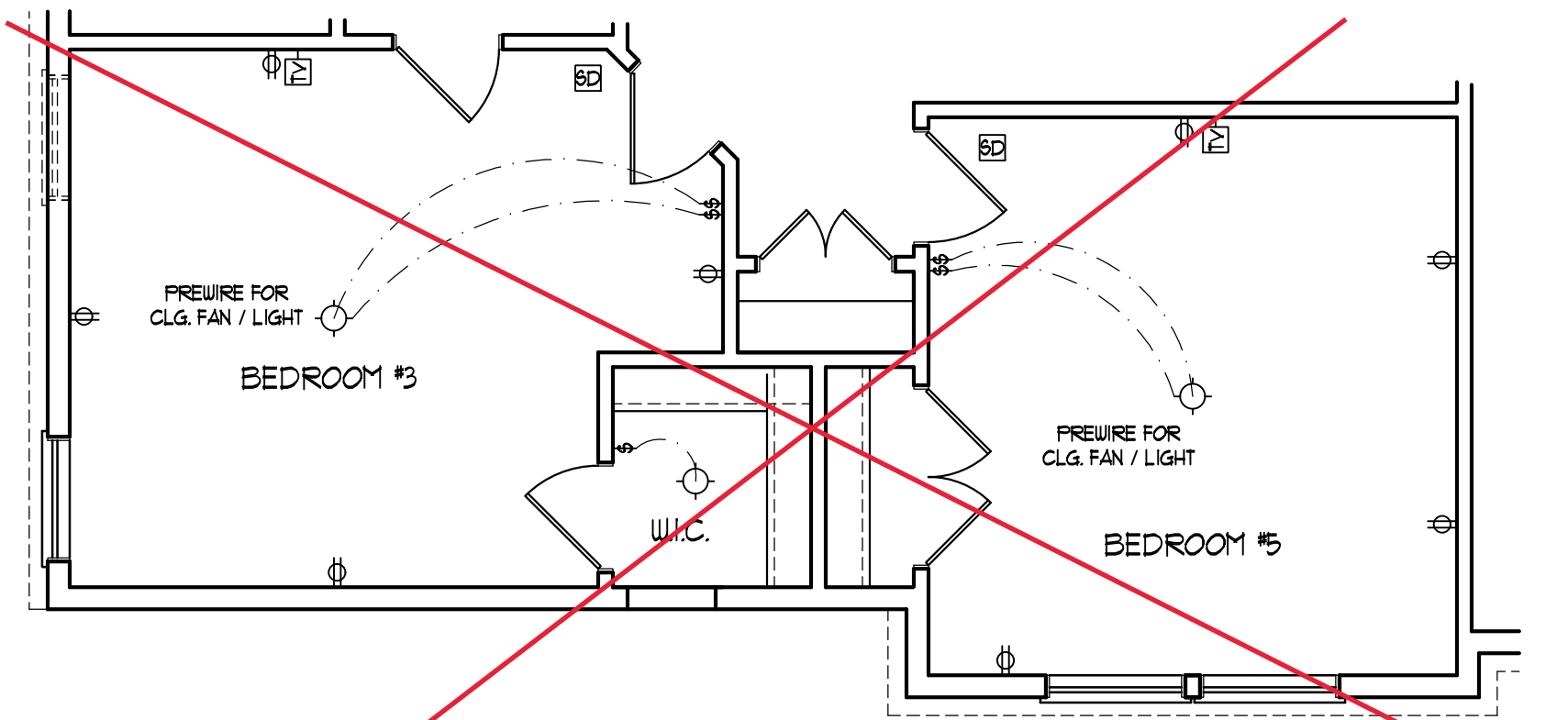


~~3-CAR GARAGE
OPTION
(NOT AVAILABLE WITH
OPTIONAL ONE-CAR GARAGE)~~

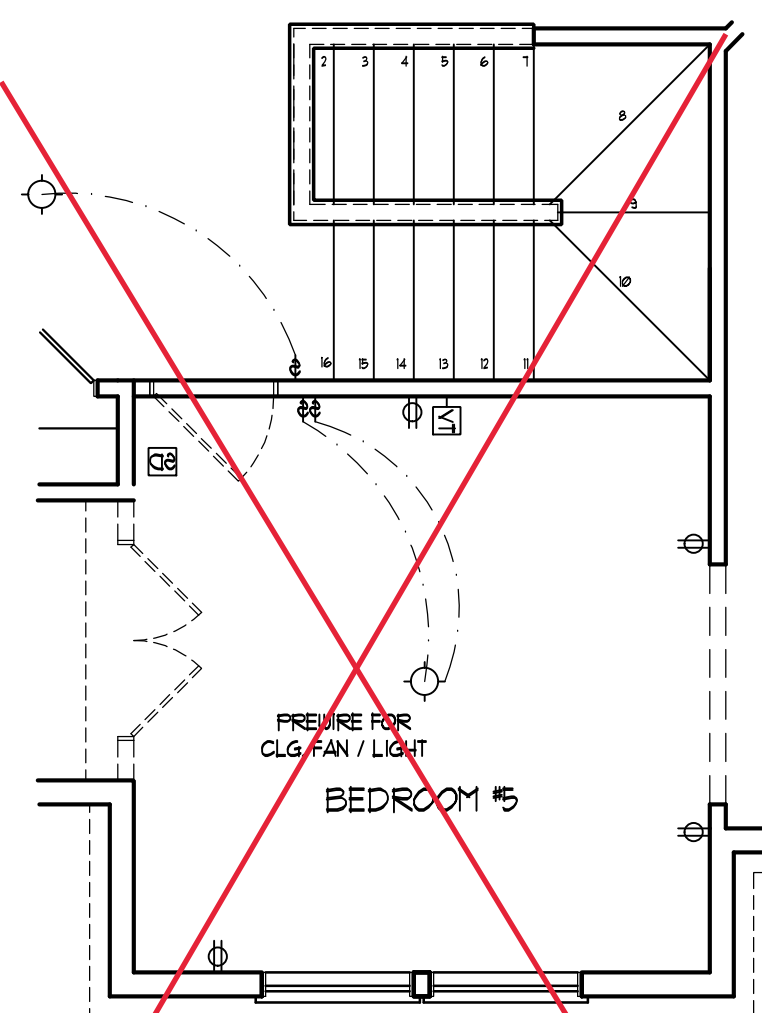
~~SIDE-LOAD
GARAGE OPTION
(NOT AVAILABLE WITH
OPTIONAL ONE-CAR GARAGE)~~

~~SIDE-LOAD
GARAGE OPTION
(NOT AVAILABLE WITH
OPTIONAL ONE-CAR GARAGE)~~

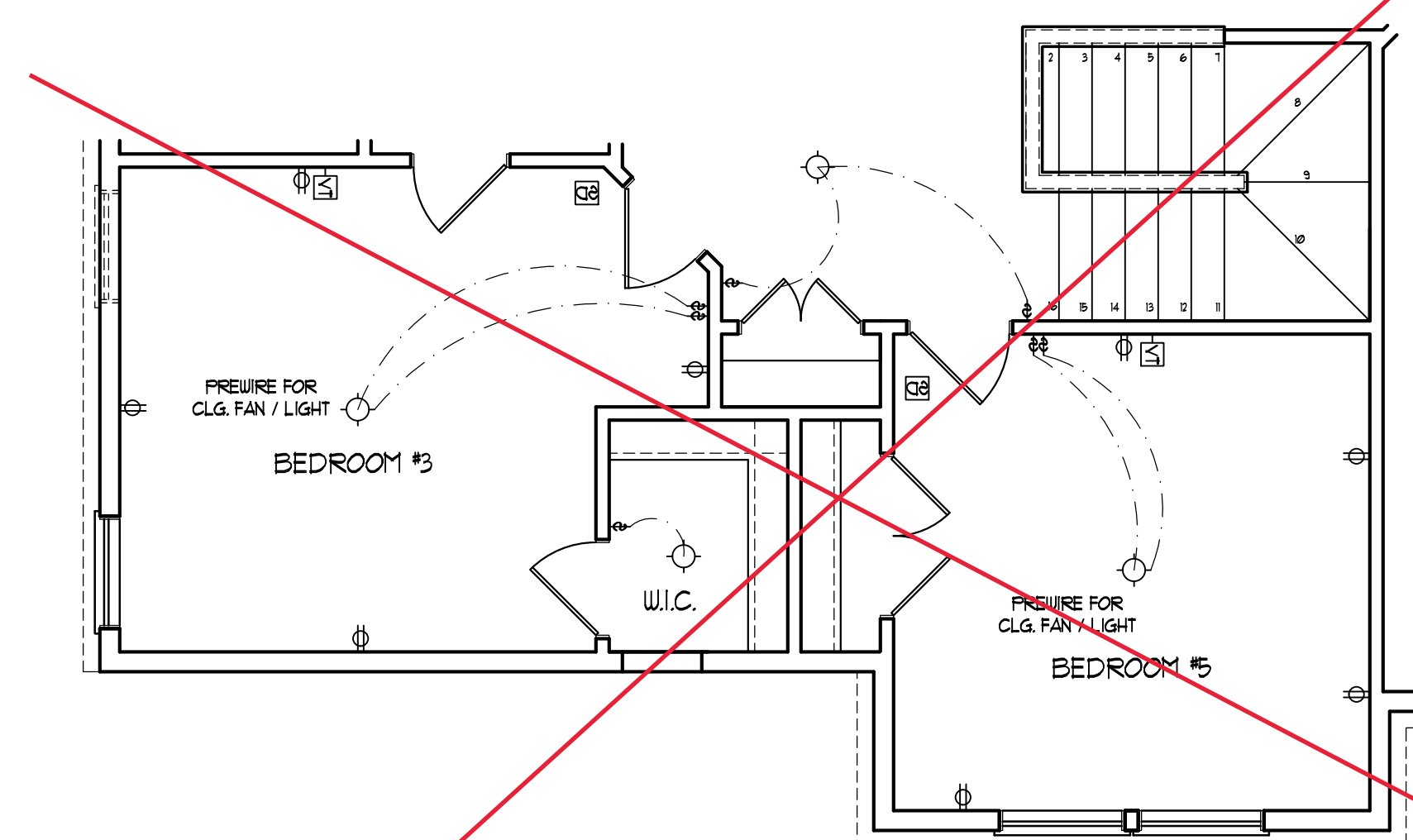
~~DOUBLE GARAGE
DOOR OPTION~~



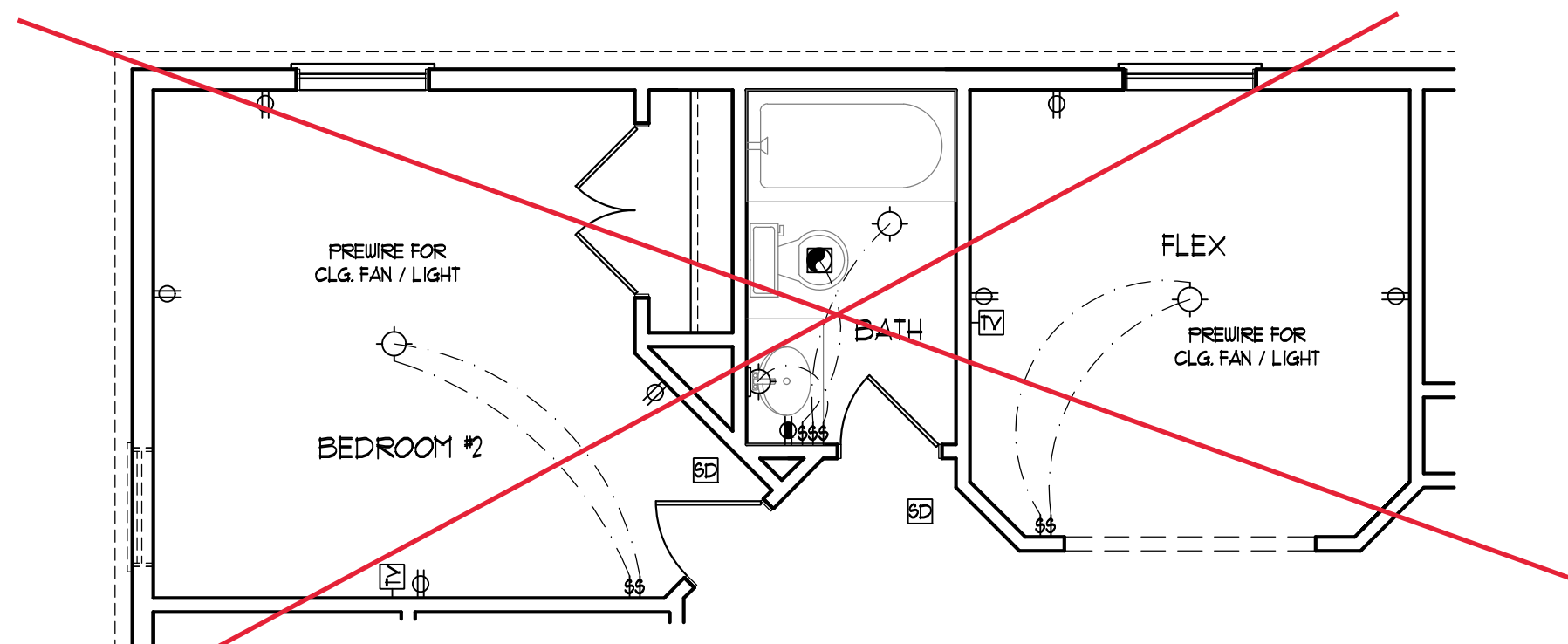
BEDROOM #5 OPTION



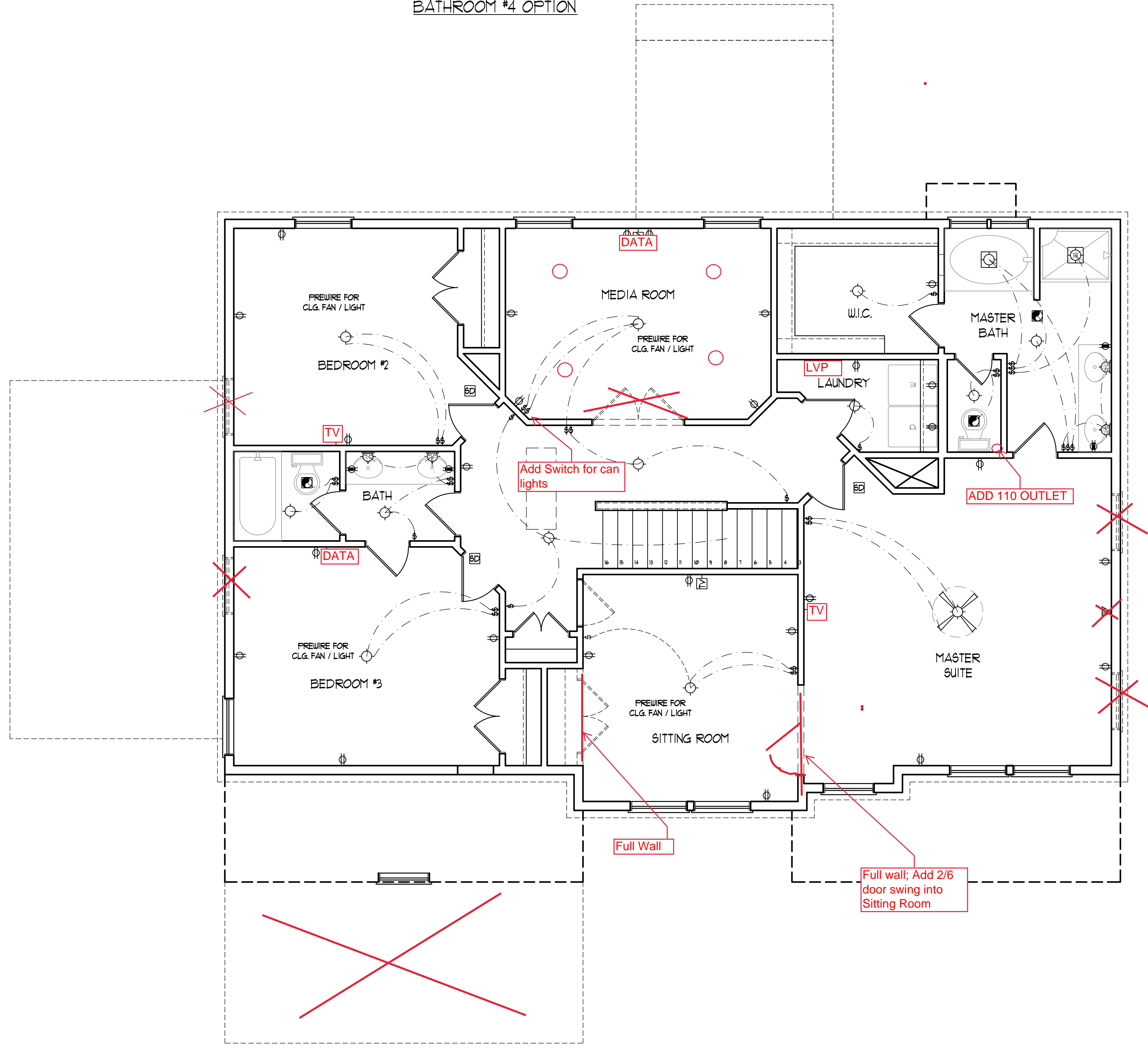
SF STAIRS
W/ BASEMENT OPTION



BEDROOM #5 OPTION
(WITH OPTIONAL BASEMENT)



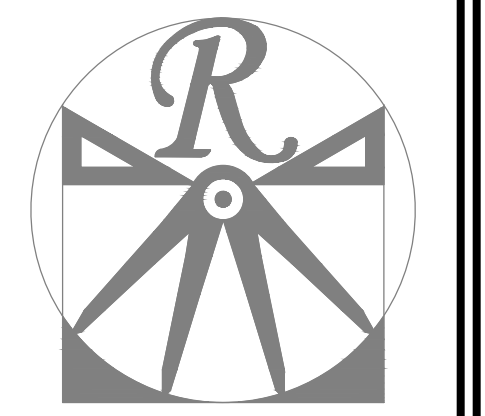
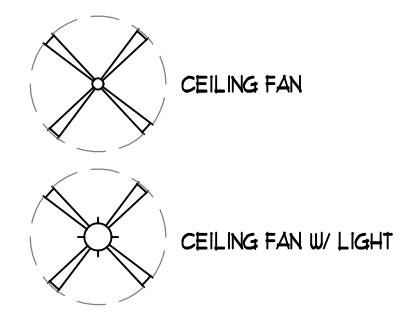
BATHROOM #4 OPTION



ELECTRICAL LAYOUT NOTES:

- 1) BLOCK AND WIRE FOR ALL CEILING FANS PER PLAN.
- 2) VANITY LIGHTS TO BE SET # 30" AFF. (TYP.)
- 3) ADDITIONAL EXTERIOR OUTLETS REQUIRED BY CODE TO BE LOCATED BY ELECTRICIAN.
- 4) PLACE SWITCHES 8" (MIN) FROM ROUGH OPENINGS.

- ELECTRICAL LEGEND**
- ⊕ 110 V OUTLET
 - ⊕ 110 V GFI OUTLET
 - ⊕ 110 V SWITCHED OUTLET
 - ⊕ 110 V BASEBOARD OUTLET
 - ⊕ 4-FLEX
 - ⊕ COUNTER OR FLOOR MOUNTED
 - ⊕ COUNTER OR FLOOR MOUNTED 110V GFI
 - ⊕ WEATHERPROOF
 - ⊕ 220 V OUTLET
 - ⊕ 220 V DEDICATED CIRCUIT
 - ⊕ 220 V DEDICATED CIRCUIT
 - ⊕ SPECIAL PURPOSE (240 V, ETC.)
 - ⊕ WALL MOUNT LIGHT
 - ⊕ CEILING MOUNT LIGHT
 - ⊕ PENDANT LIGHT
 - ⊕ RECESSED CAN LIGHT
 - ⊕ MINI CAN LIGHT
 - ⊕ EYEBALL LIGHT
 - ⊕ FLUORESCENT LIGHT
 - ⊕ UNDERCABINET LIGHT
 - ⊕ FLOOD LIGHT
 - ⊕ SWITCH
 - ⊕ 3-WAY SWITCH
 - ⊕ 4-WAY SWITCH
 - ⊕ DIMMER SWITCH
 - ⊕ TELEPHONE
 - ⊕ TV CONNECTION
 - ⊕ CONDUIT FOR COMPONENT WIRING
 - ⊕ SPEAKER
 - ⊕ DOORBELL CHIME
 - ⊕ 110 V SMOKE DETECTOR
 - ⊕ EXHAUST FAN
 - LVP LOW VOLTAGE PANEL



RENAISSANCE
RESIDENTIAL DESIGN, INC.
4810 GLENMIST CT. | RALEIGH, NC 27612
(919) 848-4128
WWW.RRDCARDRAWING.COM

"The art of transforming your vision into reality."
RENAISSANCE RESIDENTIAL DESIGN, INC. HEREBY EXPRESSLY RESERVES ITS COMMON LAW COPYRIGHT AND OTHER PROPERTY RIGHTS IN THESE PLANS. THESE PLANS AND DRAWINGS ARE NOT TO BE REPRODUCED, CHANGED, OR COPIED IN ANY FORM OR MANNER WITHOUT FIRST OBTAINING THE EXPRESS WRITTEN CONSENT OF RENAISSANCE RESIDENTIAL DESIGN, INC. NOR ARE THEY TO BE ASSIGNED TO ANY THIRD PARTY WITHOUT FIRST OBTAINING SAID WRITTEN PERMISSION AND CONSENT.

J.S. THOMPSON
ENGINEERING, INC.
606 WADE AVE., SUITE 104
RALEIGH, NC 27605
PHONE: (919) 789-9919
FAX: (919) 789-9921
N.C. LICENSE NO.: C1733



PRICES, PROMOTIONS, INCENTIVES, FEATURES, OPTIONS, FLOOR PLANS, ELEVATIONS, DESIGNS, MATERIALS AND DIMENSIONS ARE SUBJECT TO CHANGE WITHOUT NOTICE. SQUARE FOOTAGE AND DIMENSIONS ARE ESTIMATED AND MAY VARY IN ACTUAL CONSTRUCTION. ALL CONSTRUCTION SHALL BE DETERMINED BY THE SITE PLAN AND/OR CITY PLAN. FLOOR PLANS AND ELEVATION RENDERINGS ARE ARTIST CONCEPTIONS. FLOOR PLANS ARE THE COPYRIGHTED PROPERTY OF H&H HOMES. ANY USE, REPRODUCTION, OR MODIFICATION OF THESE PLANS WITHOUT THE WRITTEN PERMISSION OF H&H HOMES IS PROHIBITED. SEE NEW HOME SALES CONSULTANT FOR CURRENT DETAILS. COPYRIGHT © 2018 H&H HOMES

H&H HOMES, INC.
WILMINGTON DRIVE LEFT

DATE: FEBRUARY 12, 2018
REV.:
SCALE: 1/4"=1'-0"
DRAWN BY: WG
ENGINEERED BY: WLF
REVIEWED BY: JES

SECOND FLOOR
ELECTRICAL
PLAN

120 MPH ULTIMATE DESIGN WIND SPEED NOTES FOR LESS THAN 30' MEAN ROOF HEIGHT:

- ENGINEER'S SEAL APPLIES ONLY TO STRUCTURAL COMPONENTS. ENGINEER'S SEAL DOES NOT CERTIFY DIMENSIONAL ACCURACY OR ARCHITECTURAL LAYOUT INCLUDING ROOF SYSTEM.
- STRUCTURAL DESIGN PER NORTH CAROLINA RESIDENTIAL CODE, 2018 EDITION.
- INSTALL 1/2" ANCHOR BOLTS 6'-0" O.C. AND WITHIN 1'-0" FROM END OF EACH CORNER. ANCHOR BOLTS MUST EXTEND A MINIMUM OF 1" INTO MASONRY OR CONCRETE. LOCATE BOLT WITH MIDDLE THIRD OF PLATE BIRTH.
- MEAN ROOF HEIGHT IS LESS THAN 30 FEET.
- EXTERIOR WALLS DESIGNED FOR 120 MPH WINDS.
- WALL CLADDING DESIGNED FOR +5.5 PSF AND -20 PSF (+/- INDICATE POSITIVE / NEGATIVE PRESSURE (TYP)).
- ROOF CLADDING DESIGNED FOR 44.2 PSF AND -18 PSF FOR ROOF PITCHES 1/2 TO 1/12 AND 40 PSF AND -36 PSF FOR ROOF PITCHED 225/12 TO 1/12.
- INSTALL 1/4" OSB SHEATHING ON ALL EXTERIOR WALLS OF ALL STORIES IN ACCORDANCE WITH SECTION R602.10.3 OF THE NCRC, 2018 EDITION. SEE THE WALL BRACING NOTES AND DETAILS SHEET FOR MORE INFORMATION.
- ENERGY EFFICIENCY COMPLIANCE AND INSULATION VALUES OF THE BUILDING TO BE IN ACCORDANCE WITH CHAPTER 11 OF THE NCRC, 2018 EDITION.
- REFER TO NOTES AND DETAIL SHEETS FOR ADDITIONAL STRUCTURAL INFORMATION.

PROVIDE TERMITES TREATMENT PER SECTION R310 OF THE 2018 NCRC

150 MPH ULTIMATE DESIGN WIND SPEED NOTES FOR LESS THAN 30' MEAN ROOF HEIGHT:

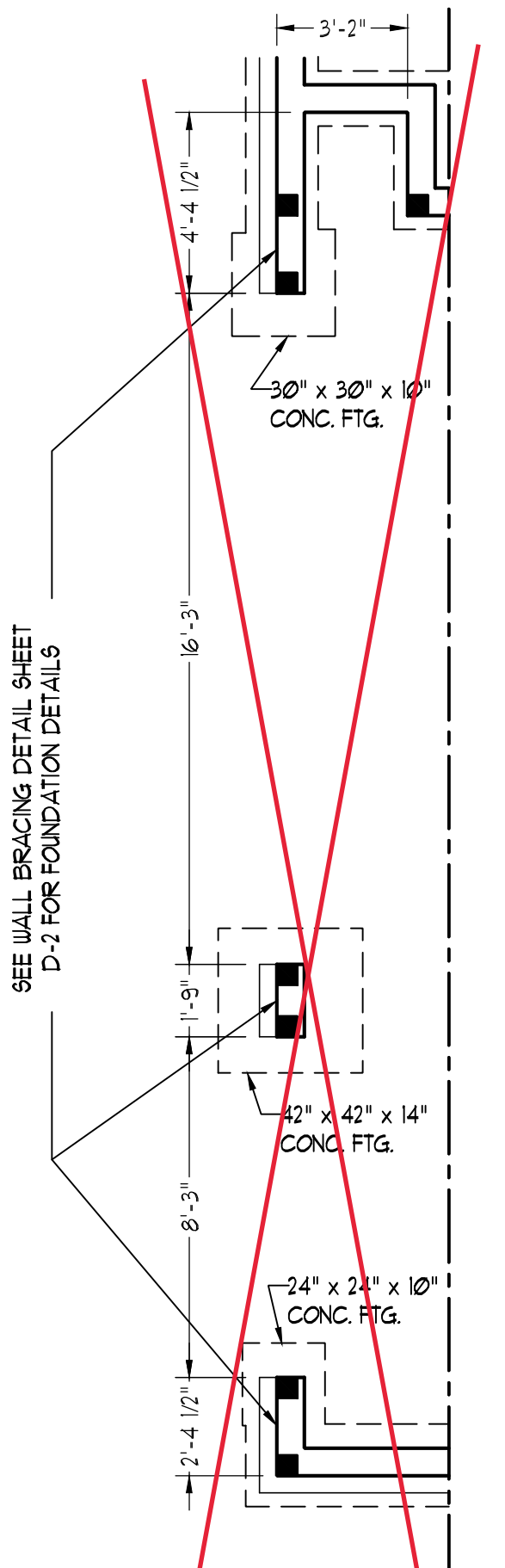
- ENGINEER'S SEAL APPLIES ONLY TO STRUCTURAL COMPONENTS. ENGINEER'S SEAL DOES NOT CERTIFY DIMENSIONAL ACCURACY OR ARCHITECTURAL LAYOUT INCLUDING ROOF SYSTEM.
- STRUCTURAL DESIGN PER NORTH CAROLINA RESIDENTIAL CODE, 2018 EDITION WITH SPECIAL CONSIDERATION TO CHAPTER 45 ("HIGH WIND ZONES") FOR 150 MPH WINDS.
- BUILDER IS TO PROVIDE FRAMING CONNECTIONS AS REQUIRED BY CHAPTER 45 ("HIGH WIND ZONES") FOR 150 MPH WINDS OF THE NORTH CAROLINA RESIDENTIAL CODE, 2018 EDITION.
- FOUNDATION ANCHORAGE TO COMPLY WITH SECTION 4504 OF THE NORTH CAROLINA RESIDENTIAL CODE, 2018 EDITION.
- MEAN ROOF HEIGHT IS LESS THAN 30 FEET.
- WALL CLADDING DESIGNED FOR 44.3 PSF AND -32 PSF (+/- INDICATE POSITIVE / NEGATIVE PRESSURE (TYP)).
- ROOF CLADDING DESIGNED FOR 42.2 PSF AND -18 PSF FOR ROOF PITCHES 1/2 TO 1/12 AND 44 PSF AND -51 PSF FOR ROOF PITCHED 225/12 TO 1/12.
- 1/4" OSB SHEATHING IS REQUIRED ON ALL EXTERIOR WALLS.
- WALLS TO BE BRACED IN ACCORDANCE WITH SECTION R602.10 OF THE NORTH CAROLINA RESIDENTIAL CODE, 2018 EDITION AND AS NOTED ON PLANS.
- ENERGY EFFICIENCY COMPLIANCE AND INSULATION VALUES OF THE BUILDING TO BE IN ACCORDANCE WITH CHAPTER 11 OF THE NCRC, 2018 EDITION.

FOUNDATION VENTILATION CALCULATION

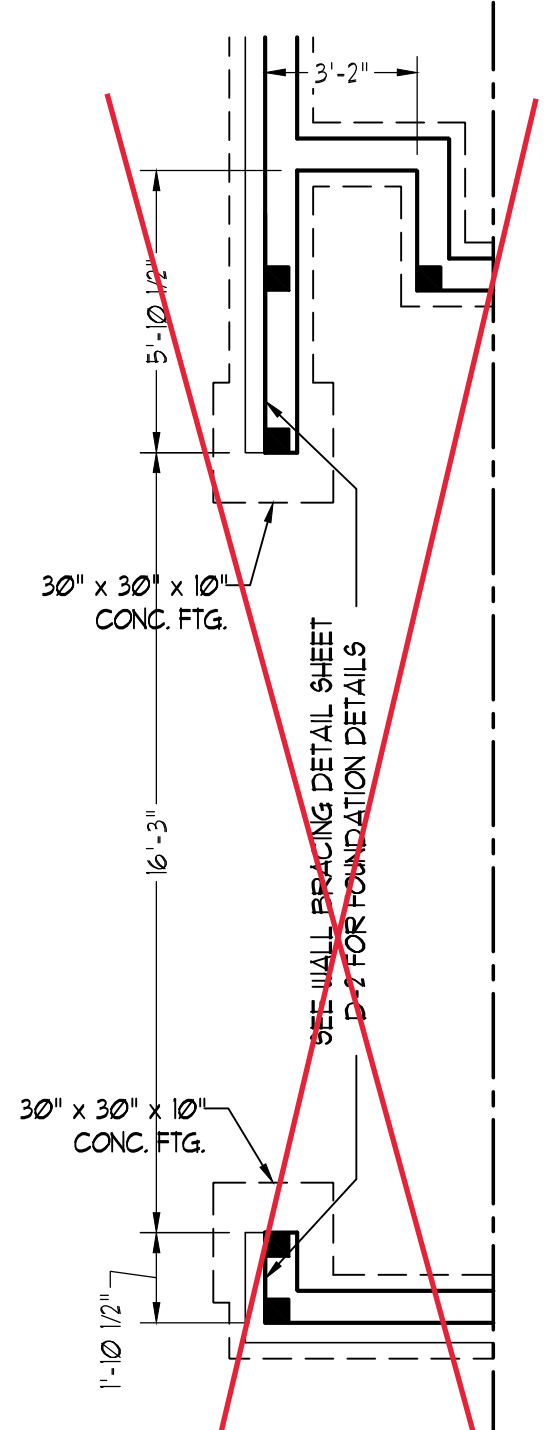
1282 SQ. FT. OF CRAWL SPACE DIVIDED BY 1500 EQUALS 0.85 SQ. FT. OF NET FREE AREA REQUIRED. INSTALL 6 MIL POLY TO COVER ENTIRE CRAWL SPACE. LOCATE VENTS WITHIN 3'-0" OF EACH CORNER OF THE BUILDING TO PROVIDE CROSS-VENTILATION.

STRUCTURAL NOTES:

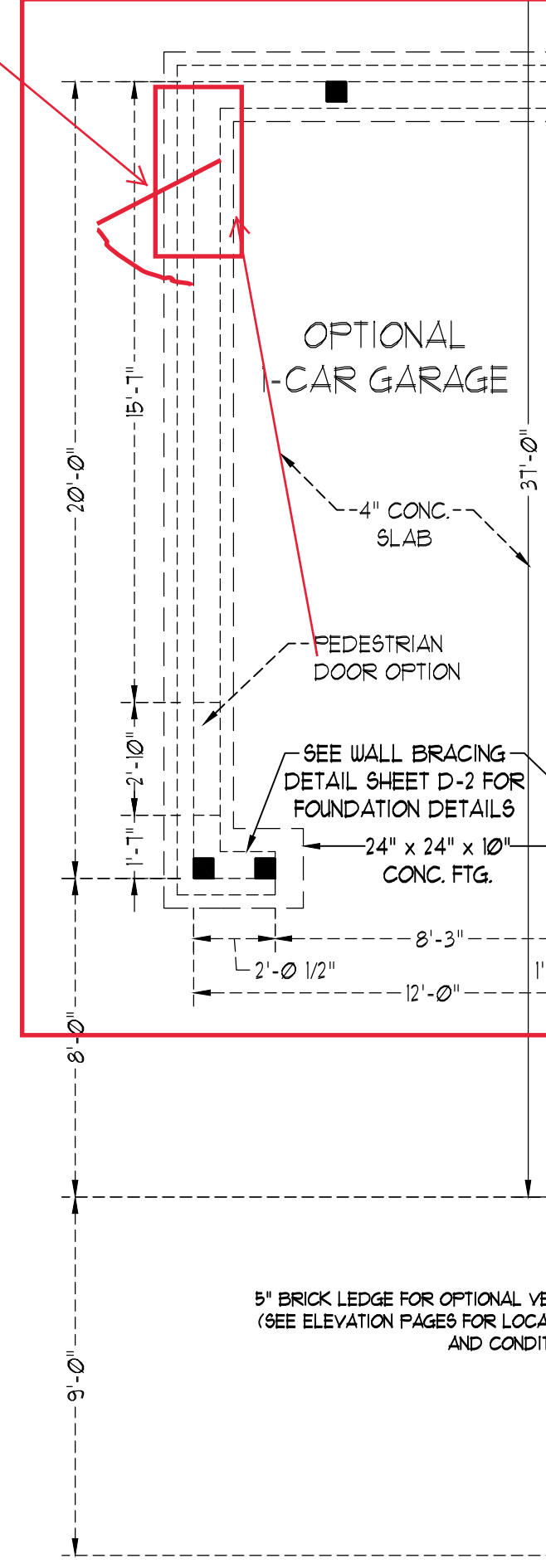
- ALL FRAMING LUMBER TO BE #2 SRF (INO). ALL TREATED LUMBER TO BE #2 SYP (INO).
- INSTALL AN EXTRA OR DOUBLE JOIST UNDER WALLS PARALLEL TO FLOOR JOISTS WHERE NOTED ON THE PLANS.
- SQUARES DENOTE POINT LOADS WHICH REQUIRE SOLID BLOCKING TO GIRDER OR FOUNDATION.
- SHADED PIERS TO BE FILLED SOLID.
- INSTALL LADDER WIRE # 16" O.C. TO SECURE MULTIPLE WYTHE FOUNDATION WALLS TOGETHER.
- REFER TO NOTES AND DETAIL SHEETS FOR ADDITIONAL STRUCTURAL INFORMATION.



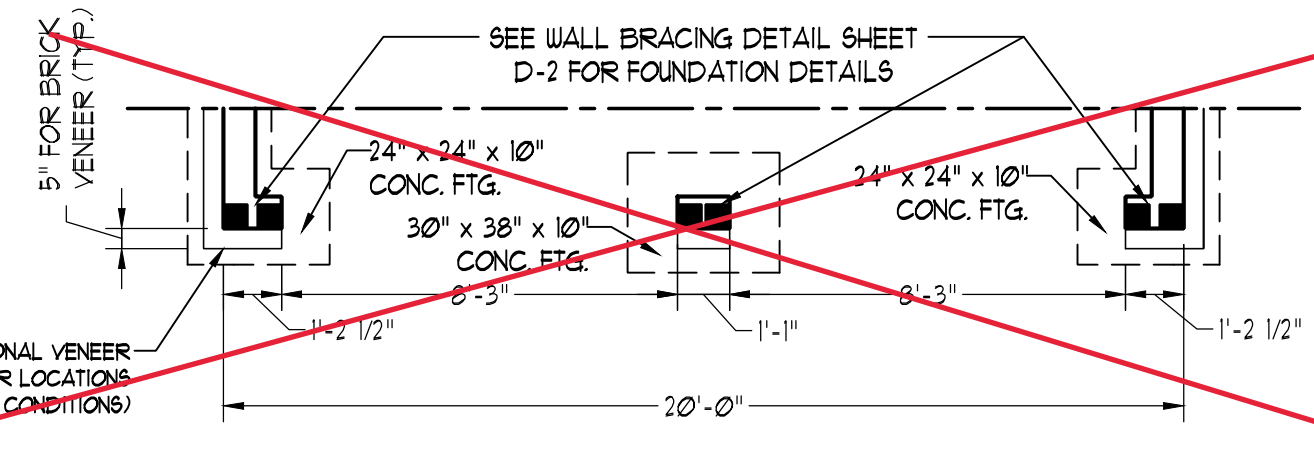
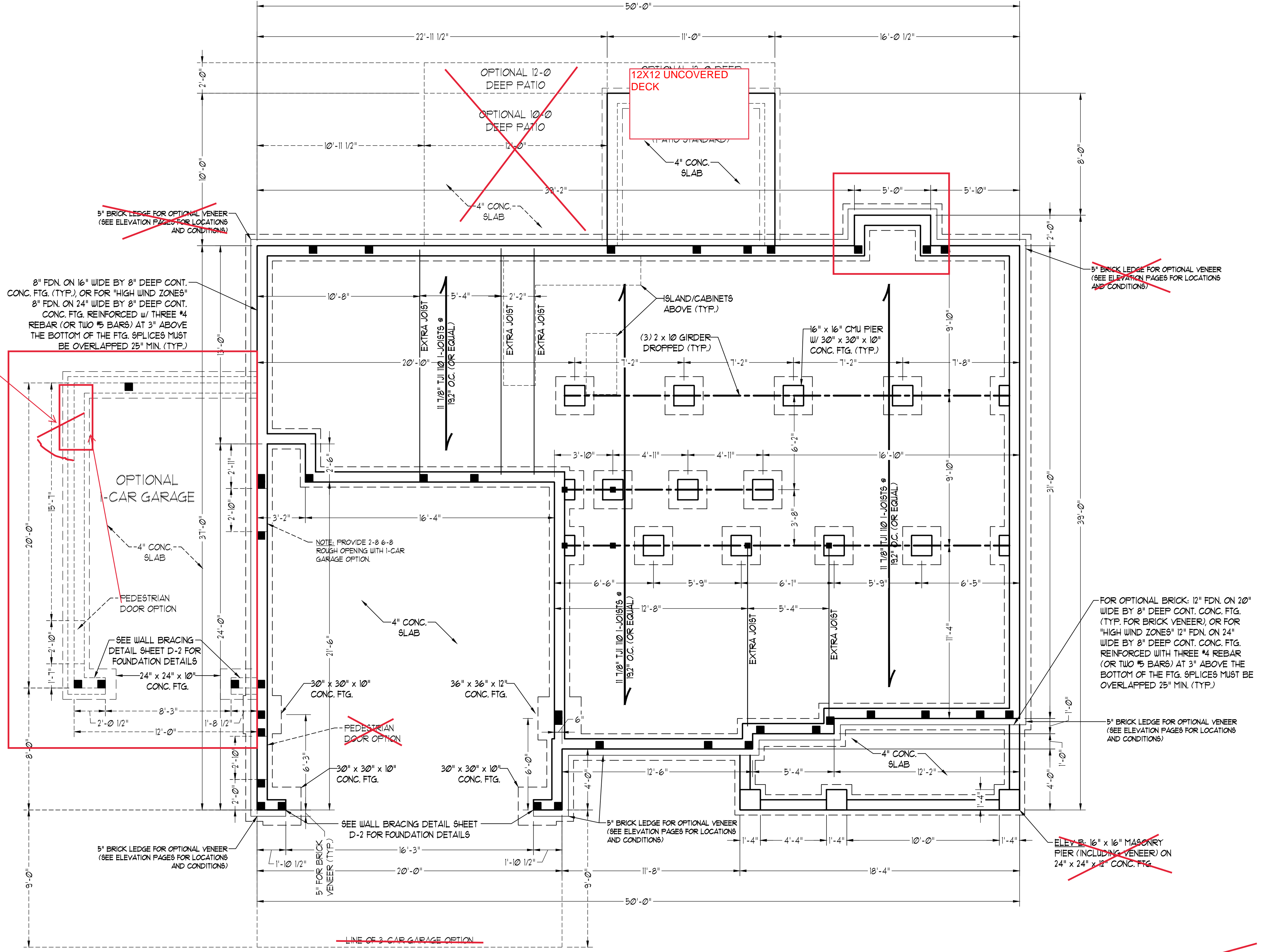
3-CAR GARAGE OPTION
(NOT AVAILABLE WITH OPTIONAL ONE-CAR GARAGE)



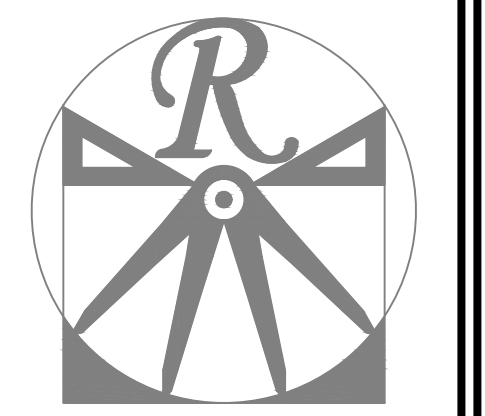
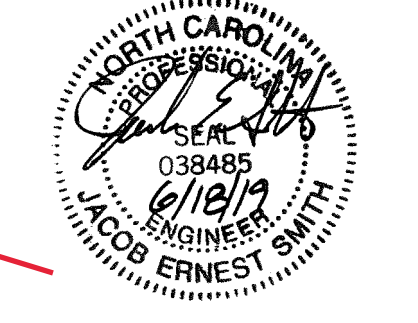
SIDE-LOAD GARAGE OPTION
(NOT AVAILABLE WITH OPTIONAL ONE-CAR GARAGE)



SIDE-LOAD GARAGE OPTION
(NOT AVAILABLE WITH OPTIONAL ONE-CAR GARAGE)



DOUBLE GARAGE DOOR OPTION



RENAISSANCE RESIDENTIAL DESIGN, INC.
4810 GLENMIST CT. | RALEIGH, NC 27612
(919) 649-4128
WWW.RDCA.ROLINA.COM

"The art of transforming your vision into reality."
RENAISSANCE RESIDENTIAL DESIGN, INC. HEREBY EXPRESSLY RESERVES ITS COMMON LAW COPYRIGHT AND OTHER PROPERTY RIGHTS IN THESE PLANS, THESE PLANS AND DRAWINGS ARE TO BE REPRODUCED, CHANGED, OR COPIED IN ANY FORM OR MANNER WITHOUT FIRST OBTAINING THE EXPRESS WRITTEN CONSENT OF RENAISSANCE RESIDENTIAL DESIGN, INC. NOR ARE THEY TO BE ASSIGNED TO ANY THIRD PARTY WITHOUT FIRST OBTAINING SAID WRITTEN PERMISSION AND CONSENT.

RENAISSANCE RESIDENTIAL DESIGN, INC. HEREBY EXPRESSLY RESERVES ITS COMMON LAW COPYRIGHT AND OTHER PROPERTY RIGHTS IN THESE PLANS, THESE PLANS AND DRAWINGS ARE TO BE REPRODUCED, CHANGED, OR COPIED IN ANY FORM OR MANNER WITHOUT FIRST OBTAINING THE EXPRESS WRITTEN CONSENT OF RENAISSANCE RESIDENTIAL DESIGN, INC. NOR ARE THEY TO BE ASSIGNED TO ANY THIRD PARTY WITHOUT FIRST OBTAINING SAID WRITTEN PERMISSION AND CONSENT.

RENAISSANCE RESIDENTIAL DESIGN, INC. HEREBY EXPRESSLY RESERVES ITS COMMON LAW COPYRIGHT AND OTHER PROPERTY RIGHTS IN THESE PLANS, THESE PLANS AND DRAWINGS ARE TO BE REPRODUCED, CHANGED, OR COPIED IN ANY FORM OR MANNER WITHOUT FIRST OBTAINING THE EXPRESS WRITTEN CONSENT OF RENAISSANCE RESIDENTIAL DESIGN, INC. NOR ARE THEY TO BE ASSIGNED TO ANY THIRD PARTY WITHOUT FIRST OBTAINING SAID WRITTEN PERMISSION AND CONSENT.

J.S. THOMPSON ENGINEERING, INC.
606 WADE AVE., SUITE 104
RALEIGH, NC 27605
PHONE: (919) 789-9191
FAX: (919) 789-9321
N.C. LICENSE NO. C41733



PRICES, PROMOTIONS, INCENTIVES, FEATURES, OPTIONS, FLOOR PLANS, ELEVATIONS, FINISHES, MATERIALS AND DIMENSIONS ARE SUBJECT TO CHANGE WITHOUT NOTICE. SQUARE FOOTAGE AND DIMENSIONS ARE ESTIMATED AND MAY VARY IN ACTUAL CONSTRUCTION. THESE PLANS AND DRAWINGS WILL BE DETERMINED BY THE SITE PLAN AND/OR FLOOR PLAN. FLOOR PLANS AND ELEVATION RENDERINGS ARE ARTIST CONCEPTIONS. FLOOR PLANS ARE THE COPYRIGHTED PROPERTY OF H&H HOMES. ANY USE, REPRODUCTION, OR MODIFICATION OF THESE PLANS IS STRICTLY PROHIBITED. SEE US AT H&H HOMES FOR CURRENT DETAILS. COPYRIGHT © 2018 H&H HOMES

H&H HOMES, INC.
WILMINGTON DRIVE LEFT

DATE: FEBRUARY 12, 2018
REV.:
SCALE: 1/4"=1'-0"
DRAWN BY: WG
ENGINEERED BY: WLF
REVIEWED BY: JES

CRAWL FOUNDATION PLAN

S-1

STRUCTURAL NOTES:

- ALL FRAMING LUMBER TO BE SFF #2 (UNO). ALL TREATED LUMBER TO BE SYP #2 (UNO).
- ALL LOAD BEARING HEADERS TO BE (2) 2 x 6 (UNO).
- WINDOW AND DOOR HEADERS TO BE SUPPORTED w/ (1) JACK STUD AND (1) KING STUD EA. END (UNO). SEE TABLE R602.15 FOR ADDITIONAL KING STUD REQUIREMENTS.
- SQUARES DENOTE POINT LOADS WHICH REQUIRE SOLID BLOCKING TO GIRDER OR FOUNDATION. ALL SQUARES TO BE (2) STUDS (UNO).
- FOR HIGH WIND ZONES, ALL EXTERIOR WALLS TO BE SHEATHED WITH 7/16" OSB SHEATHING WITH JOINTS BLOCKED AND SECURED WITH 8d NAILS AT 3" O.C. ALONG EDGES AND 6" O.C. IN THE FIELD.
- FOR HIGH WIND ZONES, SECURE ALL EXTERIOR WALL SHEATHING PANELS TO DOUBLE TOP FLATES, BANDS, JOISTS, AND GIRDERS WITH (2) ROWS OF 8d NAILS STAGGERED AT 3" O.C. PANELS SHALL EXTEND 12" BEYOND CONSTRUCTION JOINTS AND SHALL OVERLAP GIRDERS AND DOUBLE SILL PLATES THEIR FULL DEPTH.
- ALL 4 x 4 POSTS SHALL BE ANCHORED TO SLABS w/ SIMPSON ABU44 POST BASES (OR EQUAL) AND 6 x 6 POSTS w/ ABU66 POST BASES (OR EQUAL) (UNO). ALL 4 x 4 AND 6 x 6 POSTS TO BE INSTALLED WITH 100 LB CAPACITY UPLIFT CONNECTORS AT TOP (UNO).
- FOR FIBERGLASS, ALUMINUM, OR COLUMN ENG. BY OTHERS, SECURE TO SLAB w/ (2) METAL ANGLES USING 2" CONC. SCREWS. FASTEN ANGLES TO COLUMNS w/ 1/4" THROUGH BOLTS w/ NUTS AND WASHERS. LOCATE ANGLES ON OPPOSITE SIDES OF COLUMN. THROUGH BOLTS MUST BE INSTALLED PRIOR TO SETTING COLUMN.
- REFER TO NOTES AND DETAIL SHEETS FOR ADDITIONAL STRUCTURAL INFORMATION.

NOTE: TSP DENOTES TRIPLE STUD POCKET

LINTEL SCHEDULE FOR BRICK/NATURAL STONE SUPPORT

LENGTH (FT.)	SIZE OF LINTEL
UP TO 4 FT.	L 3 1/2 x 3 1/2 x 1/4
4-8	L 5 x 3 1/2 x 5/16 LLY
8 AND GREATER	L 6 x 4 x 5/16 LLY

BRICK SUPPORT NOTES:

- LINTEL SCHEDULE APPLIES TO ALL OPENINGS IN BRICK VENEER (UNO) SEE ARCH. DUGS. FOR SIZE AND LOCATION OF OPENINGS.
- (LLV) = LONG LEG VERTICAL
- LENGTH = CLEAR OPENING
- EMBED ALL ANGLE IRONS MIN. 4" EACH SIDE INTO VENEER TO PROVIDE BEARING.
- FOR ALL HEADERS 8'-0" AND GREATER IN LENGTH, ATTACH STEEL ANGLE TO HEADER w/ 1/2" LAG SCREWS @ 12" O.C. STAGGERED.
- FOR ALL BRICK SUPPORT @ ROOF LINES, FASTEN (2) 2 x 10 BLOCKING BETWEEN STUDS w/ (4) 12d NAILS PER PLY. FASTEN A 6" x 4" x 5/16" STEEL ANGLE TO (2) 2 x 10 BLOCKING w/ (2) 1/2" LAG SCREWS @ 12" O.C. STAGGERED. SEE SECTION R103.2.1 OF THE 2018 NCR FOR ADDITIONAL BRICK SUPPORT INFORMATION.
- PRECAST REINFORCED CONCRETE LINTELS ENGINEERED BY OTHERS MAY BE USED IN LIEU OF STEEL LINTELS.

TABLE R602.15
MINIMUM NUMBER OF FULL HEIGHT STUDS AT EACH END OF HEADERS IN EXTERIOR WALLS

HEADER SPAN (FEET)	MAXIMUM STUD SPACINGS (INCHES) (PER TABLE R602.15.9)	
	16	24
UP TO 3'	1	1
4'	2	1
8'	3	2
12'	5	3
16'	6	4

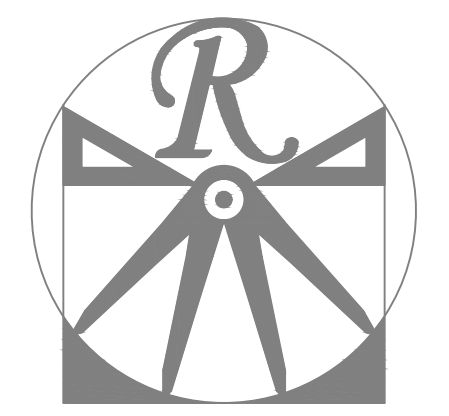
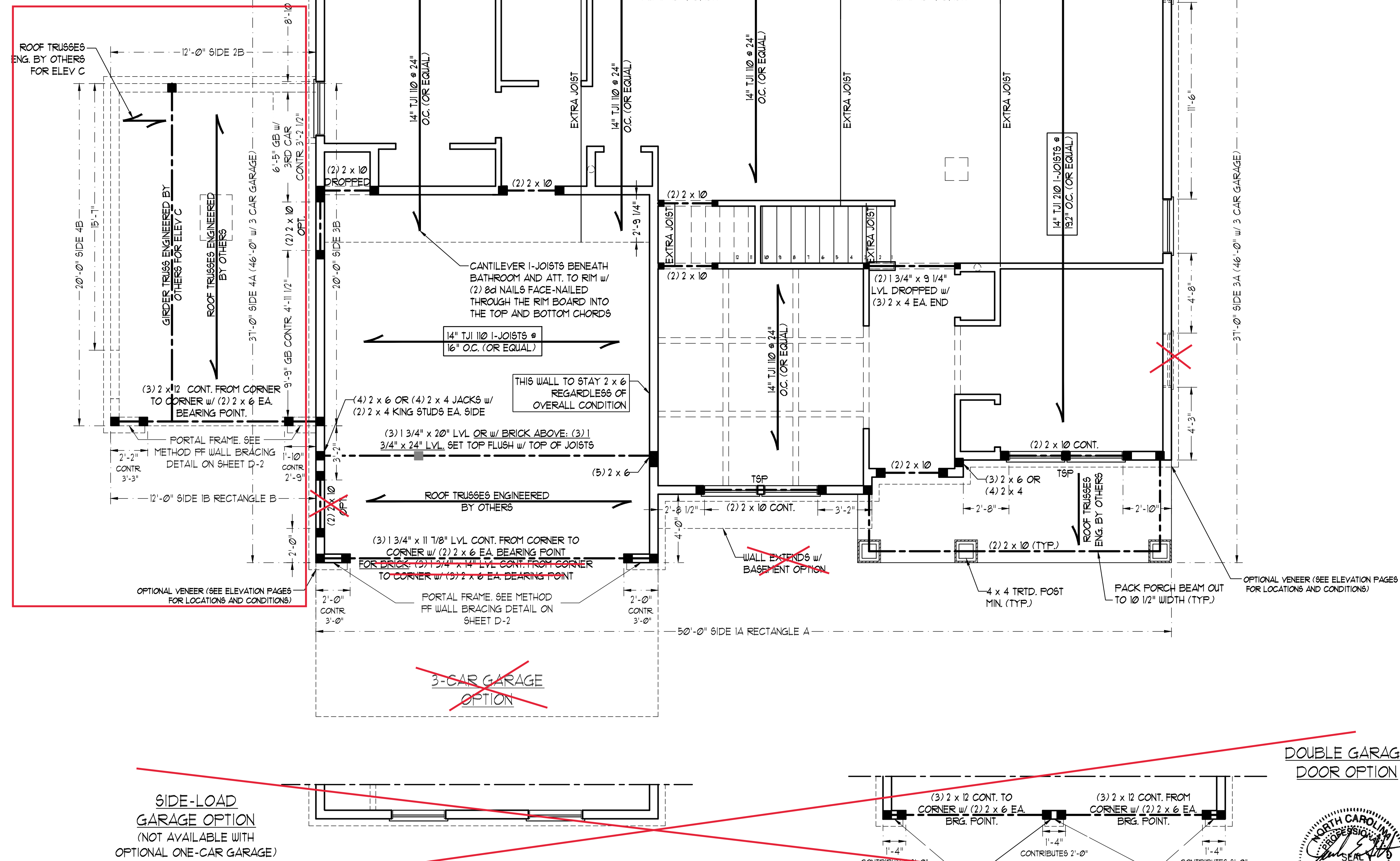
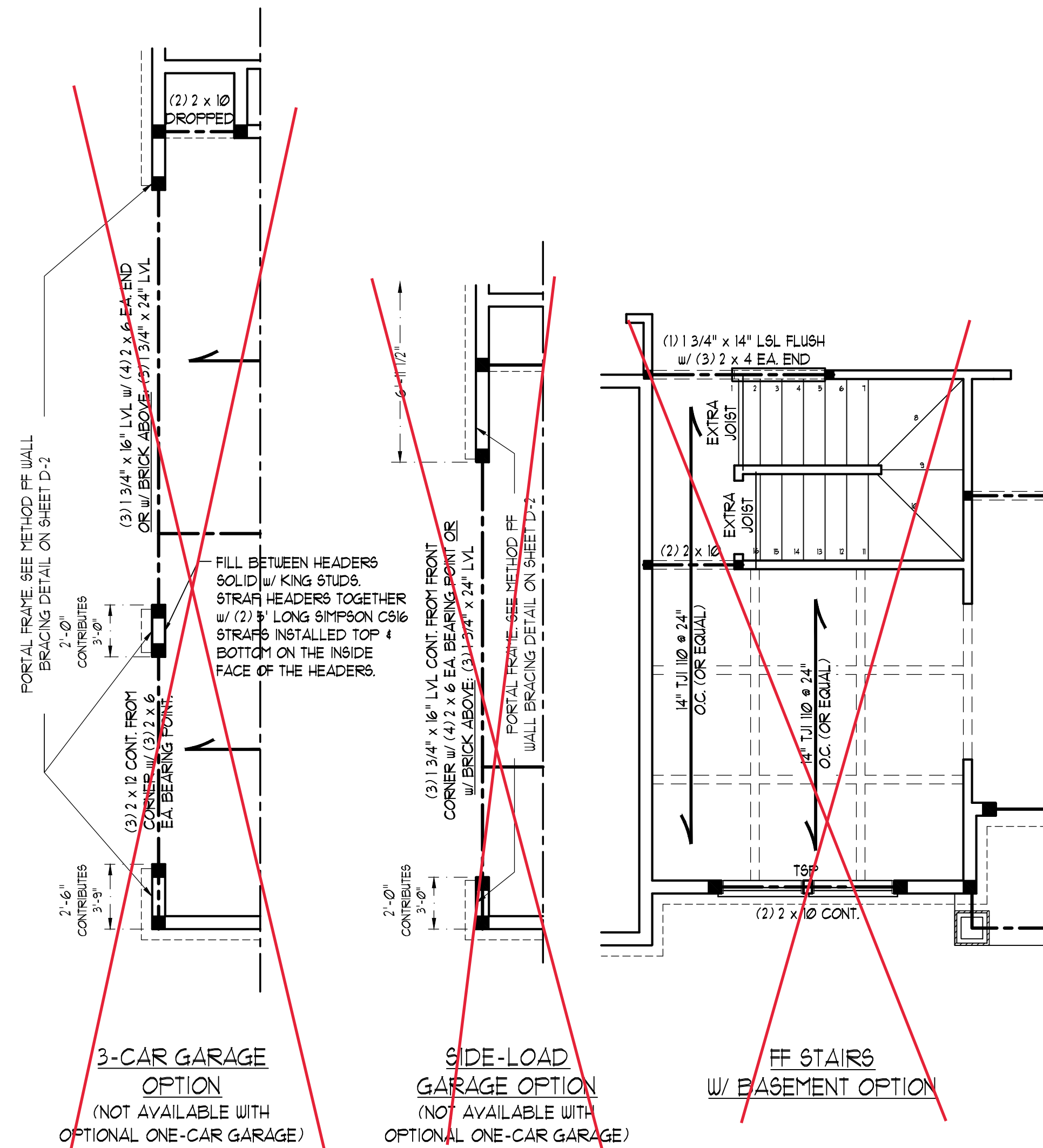
NOTE: ALL EXTERIOR WALLS AND ATTIC WALLS ARE TO BE 2 x 6 @ 16" O.C. (UNO). 2 x 4 @ 16" O.C. EXTERIOR WALLS MAY BE CONSTRUCTED IN LIEU OF 2 x 6 WALLS (UNO). ALL INTERIOR LOAD BEARING WALLS ARE TO BE 2 x 4 @ 16" O.C. (UNO) AND NON-LOAD BEARING INTERIOR WALLS ARE TO BE 2 x 4 @ 24" O.C. (UNO).

BRACED WALL DESIGN

RECTANGLE A		RECTANGLE B	
SIDE 1A (FRONT LOAD)	SIDE 1B	SIDE 2A	SIDE 2B
METHOD: CS-WSP/FF	METHOD: FF/CS-WSP	METHOD: CS-WSP	METHOD: CS-WSP
TOTAL REQUIRED LENGTH: 112'	TOTAL REQUIRED LENGTH: 456'	TOTAL REQUIRED LENGTH: 112'	TOTAL REQUIRED LENGTH: 456'
TOTAL PROVIDED LENGTH: 113.5'	TOTAL PROVIDED LENGTH: 6'	TOTAL PROVIDED LENGTH: 12'	TOTAL PROVIDED LENGTH: 21.2'
SIDE 3A	SIDE 3B / SIDE 4A CUMULATIVE	SIDE 4B	SIDE 4B
METHOD: CS-WSP	METHOD: CS-WSP/GB	METHOD: CS-WSP	METHOD: CS-WSP
TOTAL REQUIRED LENGTH: 186.4'	TOTAL REQUIRED LENGTH: 2183'	TOTAL REQUIRED LENGTH: 31.9'	TOTAL REQUIRED LENGTH: 15.58'
TOTAL PROVIDED LENGTH: 20.4'	TOTAL PROVIDED LENGTH: 22.2'	TOTAL PROVIDED LENGTH: 19.64'	TOTAL PROVIDED LENGTH: 22.83'

BRACED WALL DESIGN NOTES:

- BRACED WALL DESIGN PER SECTION R602.10 OF THE NCR 2018 EDITION.
- CS-WSP REFERS TO "CONTINUOUS SHEATHING - WOOD STRUCTURAL PANELS". CONTRACTOR IS TO INSTALL 7/16" OSB ON ALL EXTERIOR WALLS ATTACHED w/ 8d NAILS SPACED 6" O.C. ALONG PANEL EDGES AND 12" O.C. IN THE FIELD.
- GB REFERS TO "GYPSUM BOARD". CONTRACTOR IS TO INSTALL 1/2" (MIN.) GYPSUM WALL BOARD WHERE NOTED ON THE PLANS. FASTEN GB WITH 1 1/4" SCREWS OR 1 5/8" NAILS SPACED 1" O.C. ALONG PANEL EDGES AND IN THE FIELD INCLUDING TOP AND BOTTOM FLATES.
- BRACED WALL DESIGN APPLIED IN WIND ZONES UP TO 130 MPH. FOR HIGH WIND ZONES, BRACE WALLS ARE TO BE CONSTRUCTED IN ACCORDANCE WITH CHAPTER 45 OF THE NCR 2018 EDITION. SEE NOTES AND DETAIL SHEETS FOR ADDITIONAL BRACED WALL INFORMATION.



RENAISSANCE RESIDENTIAL DESIGN, INC.
4810 GLENMIST CT., J. RALEIGH, NC 27612
(919) 649-4128
WWW.RDCAROLINA.COM

"The art of transforming your vision into reality."
RENAISSANCE RESIDENTIAL DESIGN, INC. RESERVES THE RIGHT TO MAKE MODIFICATIONS TO FLOOR PLANS, DIMENSIONS, MATERIALS, AND SPECIFICATIONS WITHOUT NOTICE. THESE DRAWINGS ARE FOR THE PURPOSE OF CONVEYING AN ARCHITECTURAL CONCEPT ONLY.

RENAISSANCE RESIDENTIAL DESIGN, INC. HEREBY EXPRESSLY RESERVES ITS COMMON LAW COPYRIGHT AND OTHER PROPERTY RIGHTS IN THESE PLANS. THESE PLANS AND DRAWINGS ARE NOT TO BE REPRODUCED, CHANGED, OR COPIED IN ANY FORM OR MANNER WITHOUT FIRST OBTAINING THE EXPRESS WRITTEN CONSENT OF RENAISSANCE RESIDENTIAL DESIGN, INC. NOR ARE THEY TO BE ASSIGNED TO ANY THIRD PARTY WITHOUT FIRST OBTAINING SAID WRITTEN PERMISSION AND CONSENT.

J.S. THOMPSON ENGINEERING, INC.
606 WADE AVE., SUITE 104
RALEIGH, NC 27605
PHONE: (919) 789-9119
FAX: (919) 789-9121
N.C. LICENSE NO. C1733



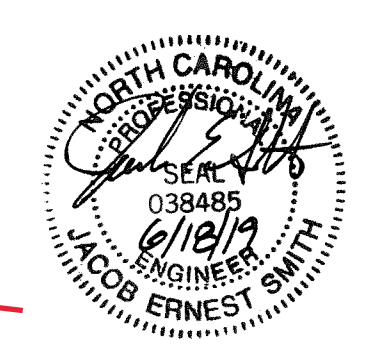
PRICES, PROMOTIONS, INCENTIVES, FEATURES, OPTIONS, FLOOR PLANS, ELEVATIONS, DESIGNS, MATERIALS AND DIMENSIONS ARE SUBJECT TO CHANGE WITHOUT NOTICE. SQUARE FOOTAGE AND DIMENSIONS ARE ESTIMATED AND MAY VARY IN ACTUAL CONSTRUCTION. THESE PLANS AND DRAWINGS WILL BE DETERMINED BY THE SITE PLAN, AND/OR CITY FLOOR PLANS AND ELEVATION RENDERINGS ARE ARTIST CONCEPTIONS. FLOOR PLANS ARE THE COPYRIGHTED PROPERTY OF H&H HOMES. ANY USE, REPRODUCTION, OR MODIFICATION OF THESE PLANS WITHOUT THE WRITTEN PERMISSION OF H&H HOMES IS PROHIBITED. SEE USHAWHOMES.COM FOR CURRENT DETAILS. COPYRIGHT © 2018 H&H HOMES

H&H HOMES, INC.
WILMINGTON DRIVE LEFT

DATE: FEBRUARY 12, 2018
REV.:
SCALE: 1/4"=1'-0"
DRAWN BY: WG
ENGINEERED BY: WLF
REVIEWED BY: JES

SECOND FLOOR FRAMING PLAN

S-2



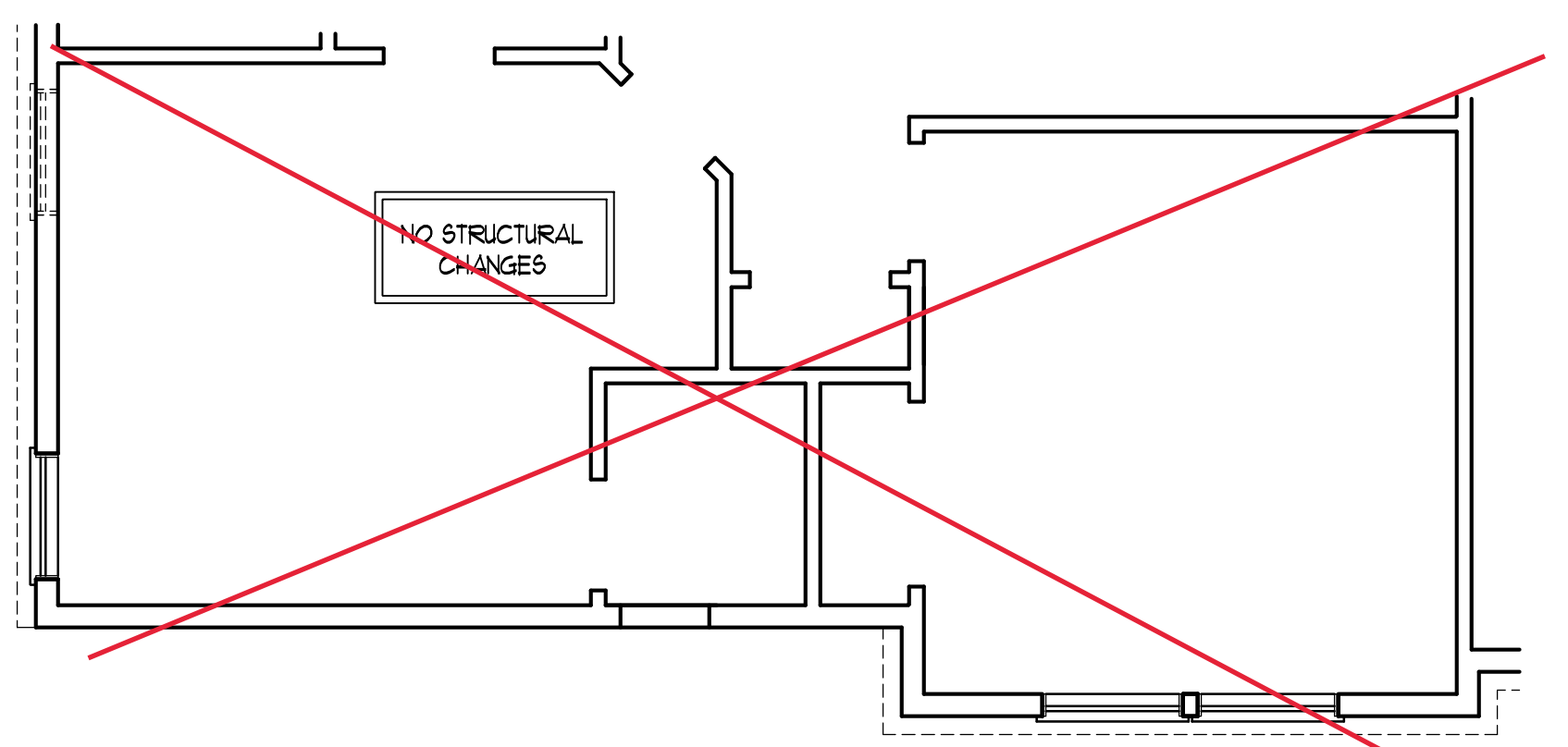
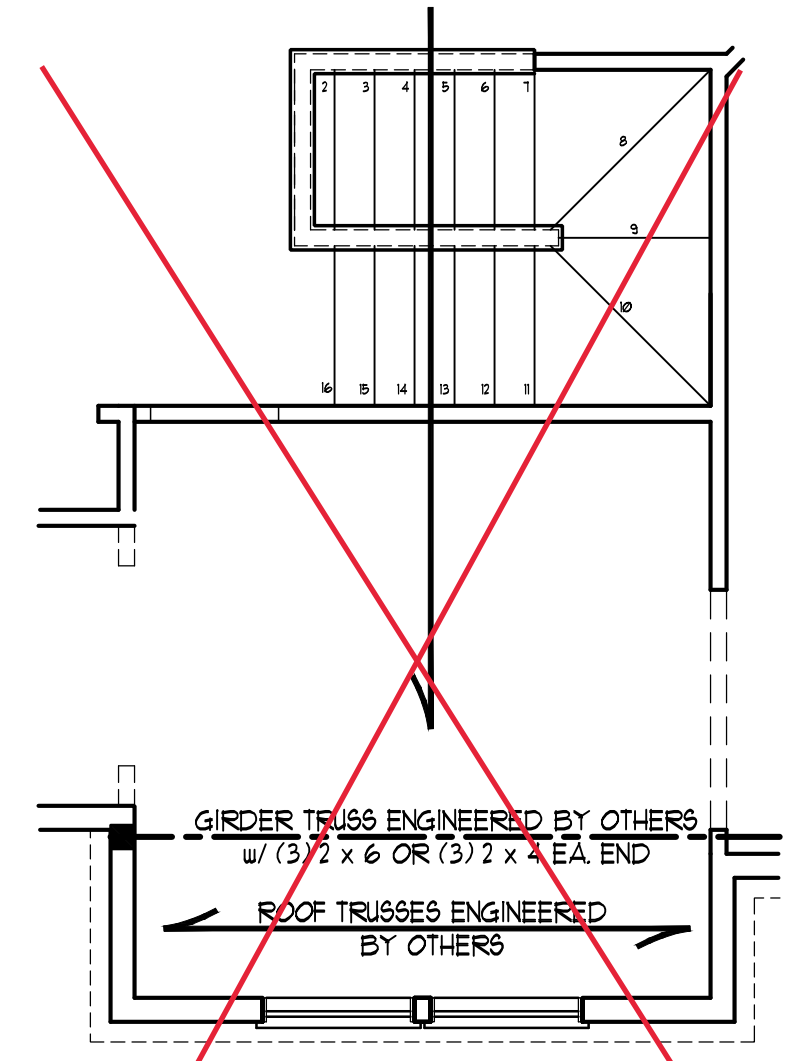


TABLE R602.15
MINIMUM NUMBER OF FULL HEIGHT STUDS AT EACH END OF HEADERS IN EXTERIOR WALLS

HEADER SPAN (FEET)	MAXIMUM STUD SPACING (INCHES) (PER TABLE R602.3/5)	16	24
UP TO 3'		1	1
4'		2	1
8'		3	2
12'		5	3
16'		6	4

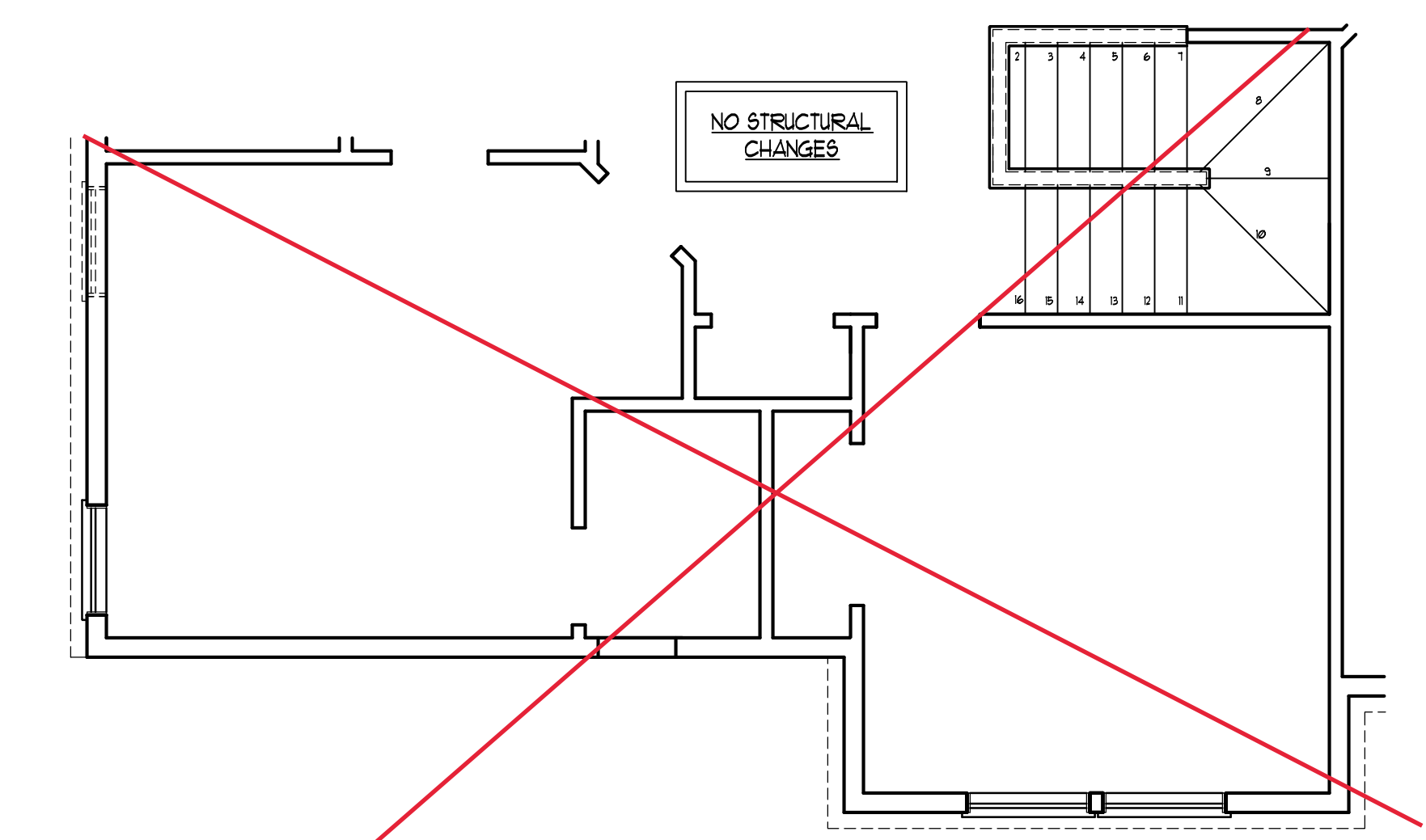
BEDROOM #5 OPTION



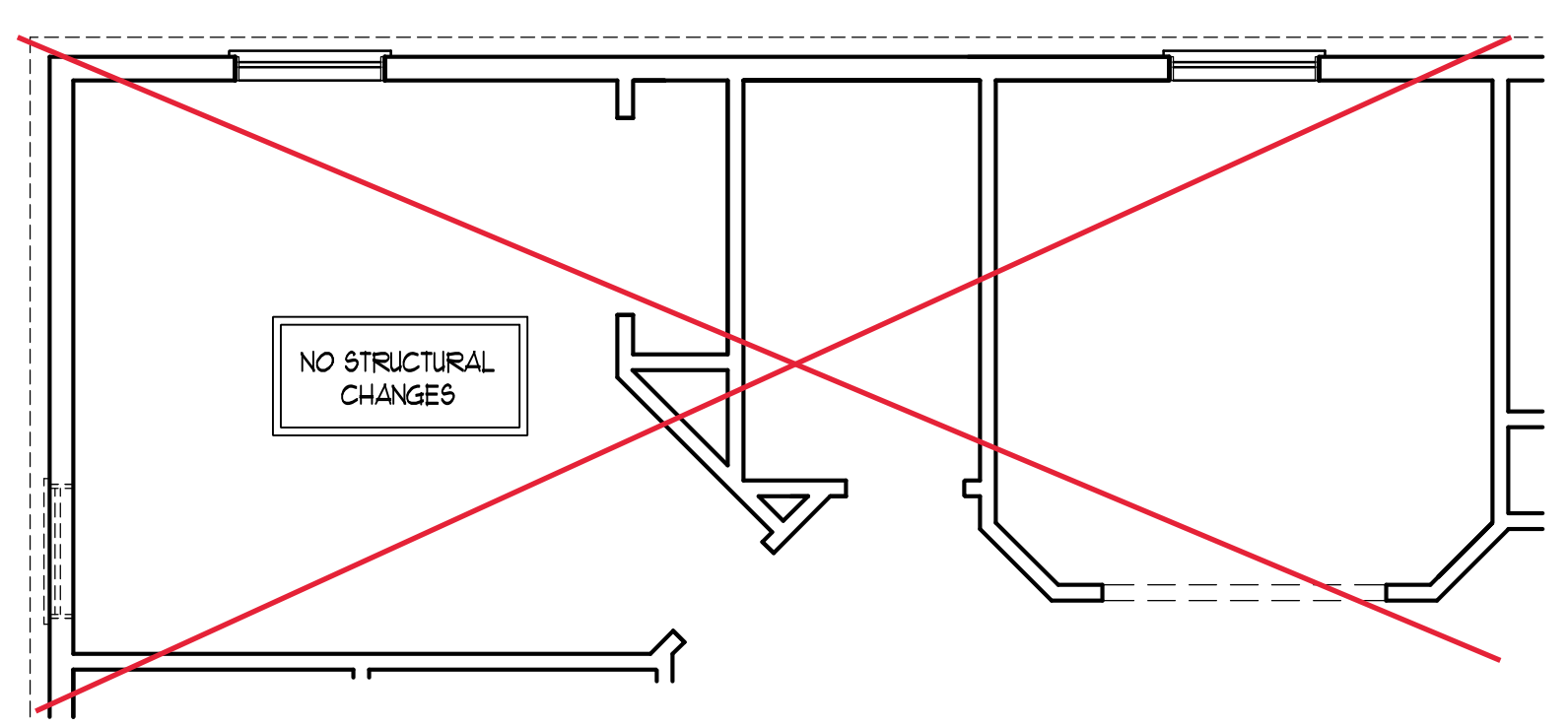
SF STAIRS W/ BASEMENT OPTION

- STRUCTURAL NOTES:**
- ALL FRAMING LUMBER TO BE SFF #2 (UNO).
 - ALL TREATED LUMBER TO BE SYP #2 (UNO).
 - ALL LOAD BEARING HEADERS TO BE (2) 2 x 6 (UNO).
 - WINDOW AND DOOR HEADERS TO BE SUPPORTED w/ (1) JACK STUD AND (1) KING STUD EA. END (UNO). SEE TABLE R602.15 FOR ADDITIONAL KING STUD REQUIREMENTS.
 - SQUARES DENOTE POINT LOADS WHICH REQUIRE SOLID BLOCKING TO GIRDER OR FOUNDATION. ALL SQUARES TO BE (2) STUDS (UNO).
 - FOR HIGH WIND ZONES, ALL EXTERIOR WALLS TO BE SHEATHED WITH 1/8" OSB SHEATHING WITH JOINTS BLOCKED AND SECURED WITH 8d NAILS AT 3" O.C. ALONG EDGES AND 6" O.C. IN THE FIELD.
 - FOR HIGH WIND ZONES, SECURE ALL EXTERIOR WALL SHEATHING PANELS TO DOUBLE TOP FLATES, BANDS, JOISTS, AND GIRDERS WITH (2) ROWS OF 8d NAILS STAGGERED AT 3" O.C. PANELS SHALL EXTEND 12" BEYOND CONSTRUCTION JOINTS AND SHALL OVERLAP GIRDERS AND DOUBLE SILL FLATES THEIR FULL DEPTH. REFER TO NOTES AND DETAIL SHEETS FOR ADDITIONAL STRUCTURAL INFORMATION.

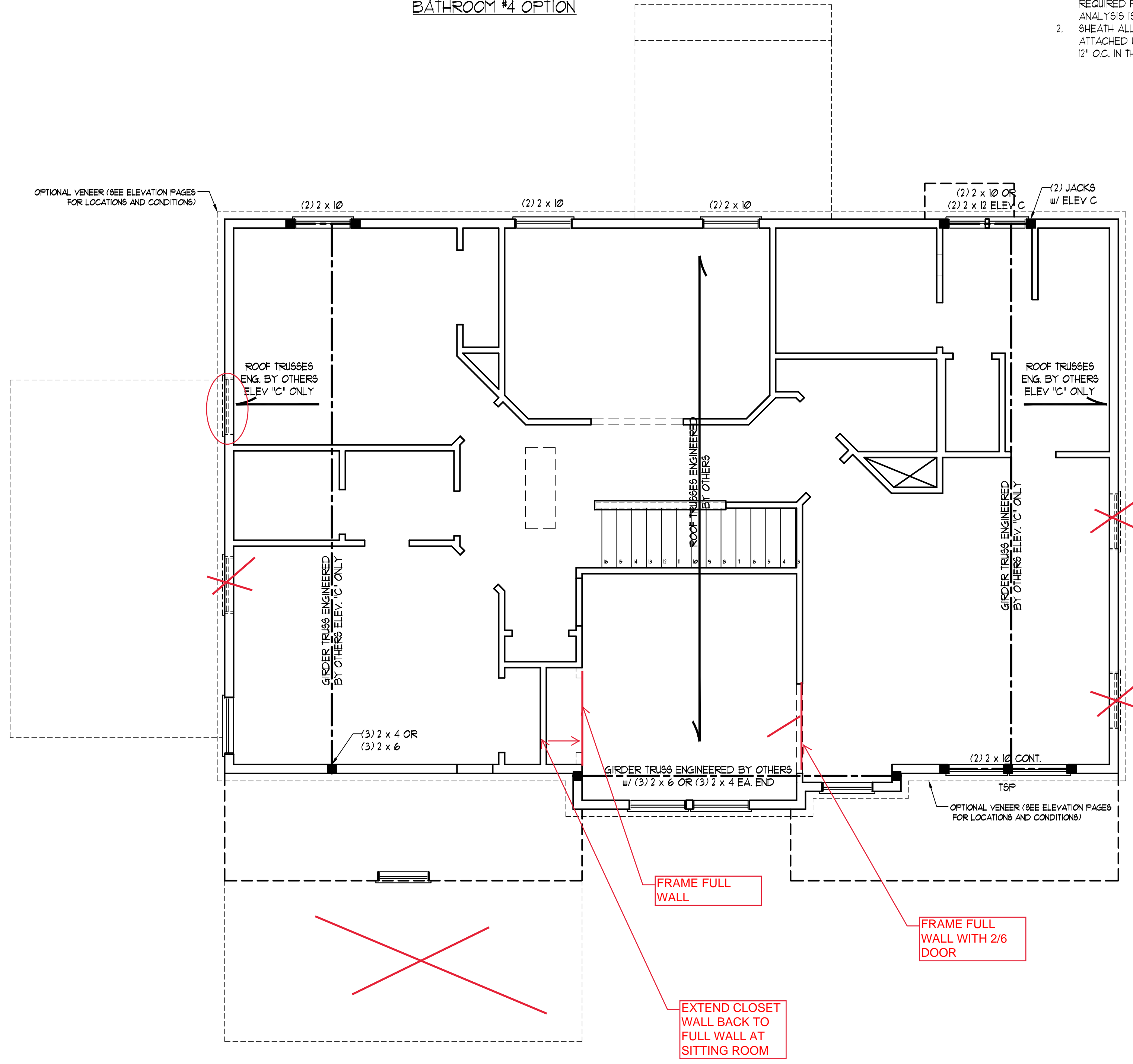
NOTE: TSP DENOTES TRIPLE STUD POCKET



BEDROOM #5 OPTION (WITH OPTIONAL BASEMENT)



BATHROOM #4 OPTION



- BRACED WALL DESIGN NOTES:**
- BRACED WALL DESIGN PER SECTION R602.10 OF THE NCR 2018 EDITION.
 - C5-WSP REFERS TO "CONTINUOUS SHEATHING - WOOD STRUCTURAL PANELS" CONTRACTOR IS TO INSTALL 1/8" OSB ON ALL EXTERIOR WALLS ATTACHED w/ 8d NAILS SPACED 6" O.C. ALONG PANEL EDGES AND 12" O.C. IN THE FIELD.
 - GB REFERS TO "GYPSUM BOARD" CONTRACTOR IS TO INSTALL 1/2" (MIN) GYPSUM WALL BOARD WHERE NOTED ON THE PLANS. FASTEN GB WITH 1 1/4" SCREWS OR 1 5/8" NAILS SPACED 1" O.C. ALONG PANEL EDGES AND IN THE FIELD INCLUDING TOP AND BOTTOM PLATES.
 - BRACED WALL DESIGN APPLIED IN WIND ZONES UP TO 130 MPH. FOR HIGH WIND ZONES, BRACE WALLS ARE TO BE CONSTRUCTED IN ACCORDANCE WITH CHAPTER 45 OF THE NCR 2018 EDITION. SEE NOTES AND DETAIL SHEETS FOR ADDITIONAL BRACED WALL INFORMATION.

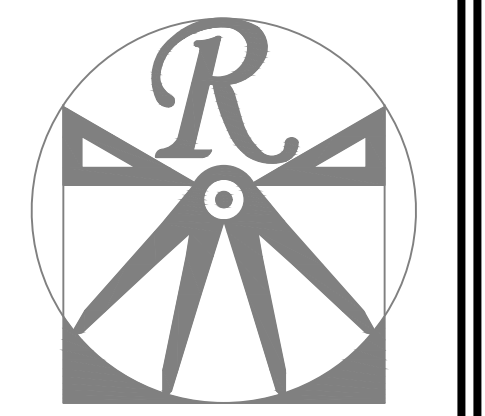
- NOTE:**
- PER SECTION R602.10.3.2 OF THE 2018 NCR, THE AMOUNT OF BRACING ON THE SECOND FLOOR EXCEEDS THE AMOUNT REQUIRED FOR THE FIRST FLOOR AND NO BRACED WALL ANALYSIS IS REQUIRED.
 - SHEATH ALL EXTERIOR WALLS WITH 1/8" OSB SHEATHING ATTACHED WITH 8d NAILS AT 6" O.C. ALONG PANEL EDGES AND 12" O.C. IN THE FIELD.

LINTEL SCHEDULE FOR BRICK/NATURAL STONE SUPPORT

LENGTH (FT.)	SIZE OF LINTEL
UP TO 4 FT.	L 3 1/2 x 3 1/2 x 1/4
4-8	L 5 x 3 1/2 x 5/16 LLV
8 AND GREATER	L 6 x 4 x 5/16 LLV

- BRICK SUPPORT NOTES:**
- LINTEL SCHEDULE APPLIES TO ALL OPENINGS IN BRICK VENEER (UNO). SEE ARCH DUGS FOR SIZE AND LOCATION OF OPENINGS.
 - (LLV) = LONG LEG VERTICAL
 - LENGTH = CLEAR OPENING
 - EMBED ALL ANGLE IRONS MIN. 4" EACH SIDE INTO VENEER TO PROVIDE BEARING.
 - FOR ALL HEADERS 8" Ø AND GREATER IN LENGTH, ATTACH STEEL ANGLE TO HEADER w/ 1/2" LAG SCREWS @ 12" O.C. STAGGERED.
 - FOR ALL BRICK SUPPORT @ ROOF LINES, FASTEN (2) 2 x 10 BLOCKING BETWEEN STUDS w/ (4) 12d NAILS PER PLY. FASTEN A 6" x 4" x 5/16" STEEL ANGLE TO (2) 2 x 10 BLOCKING w/ (2) 1/2" LAG SCREWS @ 12" O.C. STAGGERED. SEE SECTION R103.8.21 OF THE 2018 NCR FOR ADDITIONAL BRICK SUPPORT INFORMATION.
 - PRECAST REINFORCED CONCRETE LINTELS ENGINEERED BY OTHERS MAY BE USED IN LIEU OF STEEL LINTELS.

NOTE: ALL EXTERIOR WALLS AND ATTIC WALLS ARE TO BE 2 x 6 @ 16" O.C. (UNO). 2 x 4 @ 16" O.C. EXTERIOR WALLS MAY BE CONSTRUCTED IN LIEU OF 2 x 6 WALLS (UNO). ALL INTERIOR LOAD BEARING WALLS ARE TO BE 2 x 4 @ 16" O.C. (UNO) AND NON-LOAD BEARING INTERIOR WALLS ARE TO BE 2 x 4 @ 24" O.C. (UNO).



RENAISSANCE RESIDENTIAL DESIGN, INC.
4810 GLENMIST CT. | RALEIGH, NC 27612
(919) 649-4128
WWW.RRDCA.ROLINKA.COM

"The art of transforming your vision into reality."
RENAISSANCE RESIDENTIAL DESIGN, INC. HEREBY EXPRESSLY RESERVES ITS COMMON LAW COPYRIGHT AND OTHER PROPERTY RIGHTS IN THESE PLANS. THESE PLANS AND DRAWINGS ARE NOT TO BE REPRODUCED, CHANGED, OR COPIED IN ANY FORM OR MANNER WITHOUT FIRST OBTAINING THE EXPRESS WRITTEN CONSENT OF RENAISSANCE RESIDENTIAL DESIGN, INC. NOR ARE THEY TO BE ASSIGNED TO ANY THIRD PARTY WITHOUT FIRST OBTAINING SAID WRITTEN PERMISSION AND CONSENT.

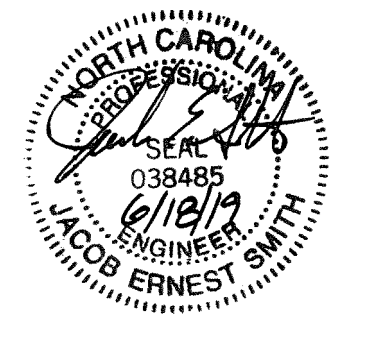
J.S. THOMPSON ENGINEERING, INC.
600 WADE AVE., SUITE 104
RALEIGH, NC 27605
PHONE: (919) 789-9919
FAX: (919) 789-9921
N.C. LICENSE NO. C1733



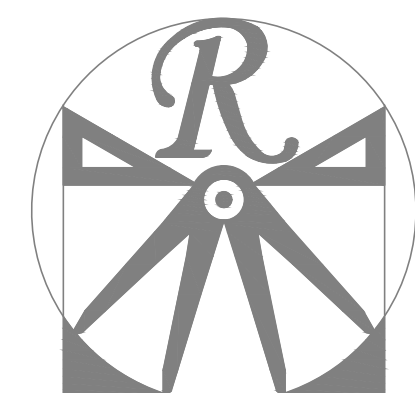
PRICES, PROMOTIONS, INCENTIVES, FEATURES, OPTIONS, FLOOR PLANS, ELEVATIONS, FINISHES, MATERIALS AND DIMENSIONS ARE SUBJECT TO CHANGE WITHOUT NOTICE. SQUARE FOOTAGE AND DIMENSIONS ARE ESTIMATED AND MAY VARY IN ACTUAL CONSTRUCTION. ALL DIMENSIONS SHALL BE DETERMINED BY THE SITE PLAN AND/OR FLOOR PLAN. FLOOR PLANS AND ELEVATION RENDERINGS ARE ARTIST CONCEPTIONS. FLOOR PLANS ARE THE COPYRIGHTED PROPERTY OF H&H HOMES. ANY USE, REPRODUCTION, OR MODIFICATION OF THESE PLANS WITHOUT THE WRITTEN PERMISSION OF H&H HOMES IS PROHIBITED. SEE DRAWING NOTES FOR ADDITIONAL DETAILS. COPYRIGHT © 2018 H&H HOMES

H&H HOMES, INC.
WILMINGTON DRIVE LEFT

DATE: FEBRUARY 12, 2018
REV.:
SCALE: 1/4"=1'-0"
DRAWN BY: WG
ENGINEERED BY: WLF
REVIEWED BY: JES



CEILING FRAMING PLAN
S-3



RENAISSANCE
RESIDENTIAL DESIGN, INC.

4810 GLENMIST CT. | RALEIGH, NC 27612
(919) 649-4128
WWW.RDCCAROLINA.COM

"The art of transforming your vision into reality."

RENAISSANCE RESIDENTIAL DESIGN, INC. HEREBY EXPRESSLY RESERVES ITS COMMON LAW COPYRIGHT AND OTHER PROPERTY RIGHTS IN THESE PLANS, DIMENSIONS, MATERIALS, AND SPECIFICATIONS WITHOUT NOTICE. THESE DRAWINGS ARE FOR THE PURPOSE OF CONVEYING AN ARCHITECTURAL CONCEPT ONLY.

RENAISSANCE RESIDENTIAL DESIGN, INC. HEREBY EXPRESSLY RESERVES ITS COMMON LAW COPYRIGHT AND OTHER PROPERTY RIGHTS IN THESE PLANS, DIMENSIONS, MATERIALS, AND SPECIFICATIONS WITHOUT NOTICE. THESE DRAWINGS ARE FOR THE PURPOSE OF CONVEYING AN ARCHITECTURAL CONCEPT ONLY.

J.S. THOMPSON
ENGINEERING, INC.
606 WADE AVE., SUITE 104
RALEIGH, NC 27605
PHONE: (919) 789-9119
FAX: (919) 789-9921
N.C. LICENSE NO. C1733



PRICES, PROMOTIONS, INCENTIVES, FEATURES, OPTIONS, FLOOR PLANS, ELEVATIONS, DESIGNS, MATERIALS AND DIMENSIONS ARE SUBJECT TO CHANGE WITHOUT NOTICE. SQUARE FOOTAGE AND DIMENSIONS ARE ESTIMATED AND MAY VARY IN ACTUAL CONSTRUCTION. ALL DIMENSIONS, MATERIALS, AND SPECIFICATIONS WILL BE DETERMINED BY THE SITE PLAN AND/OR FLOOR PLAN. FLOOR PLANS AND ELEVATION RENDERINGS ARE ARTIST CONCEPTIONS. FLOOR PLANS ARE THE COPYRIGHTED PROPERTY OF H&H HOMES. ANY USE, REPRODUCTION, OR MODIFICATION OF THESE PLANS WITHOUT THE WRITTEN PERMISSION OF H&H HOMES IS PROHIBITED. SEE US AT H&H HOMES FOR CURRENT DETAILS. COPYRIGHT © 2018 H&H HOMES

H&H HOMES, INC.
WILMINGTON DRIVE LEFT

DATE: FEBRUARY 12, 2018
REV.:
SCALE: 1/4"=1'-0"
DRAWN BY: WG
ENGINEERED BY: WLF
REVIEWED BY: JES

ROOF PLAN
ELEVATION - C

S-4

BRICK SUPPORT NOTE:

1. FASTEN (2) 2 x 10 BLOCKING BETWEEN WALL STUDS w/ (4) 12d NAILS PER PLY. FASTEN A 6" x 4" x 5/16" STEEL ANGLE TO (2) 2 x 10 BLOCKING w/ (2) 1/2" LAG SCREWS @ 12" O.C. STAGGERED. SEE SECTION R103.821 OF THE 2018 NCRC FOR ADDITIONAL BRICK SUPPORT INFORMATION.
2. WHERE ROOF SLOPES EXCEED 1:12, INSTALL 3" x 3" x 1/4" STEEL PLATE STOPS AT 24" O.C. PER SECTION R103.821 OF THE NORTH CAROLINA RESIDENTIAL CODE, 2018 EDITION.

STRUCTURAL NOTES:

1. ALL FRAMING LUMBER TO BE #2 SFF (UNO).
2. CIRCLES DENOTE (3) 2 x 4 POSTS FOR ROOF SUPPORT.
3. FRAME DORMER WALLS ON TOP OF DOUBLE OR TRIPLE RAFTERS.
4. HIP SPLICES ARE TO BE SPACED A MIN. OF 8'-0". FASTEN MEMBERS WITH THREE ROWS OF 12d NAILS @ 16" O.C. (TYP).
5. STICK FRAME OVER-FRAMED ROOF SECTIONS w/ 2 x 8 RIDGES, 2 x 6 RAFTERS @ 16" O.C. AND FLAT 2 x 10 VALLEYS OR USE VALLEY TRUSSES.
6. FASTEN FLAT VALLEYS TO RAFTERS OR TRUSSES WITH SIMPSON H25A HURRICANE TIES @ 32" O.C. MAX. PASS HURRICANE TIES THROUGH NOTCH IN ROOF SHEATHING. EACH RAFTER IS TO BE FASTENED TO THE FLAT VALLEY WITH A MIN. OF (6) 12d TOE NAILS.

1. REFER TO SECTION R802.11 OF THE 2018 NCRC FOR REQUIRED UPLIFT RESISTANCE AT RAFTERS AND TRUSSES.
2. REFER TO NOTES AND DETAIL SHEETS FOR ADDITIONAL STRUCTURAL INFORMATION.

ATTIC VENT CALCULATION:

1994 SQ. FT. OF ATTIC DIVIDED BY 150 REQUIRES 13.3 SQ. FT. OF NET FREE VENTILATING AREA (MIN).

ATTIC VENT CALCULATION:

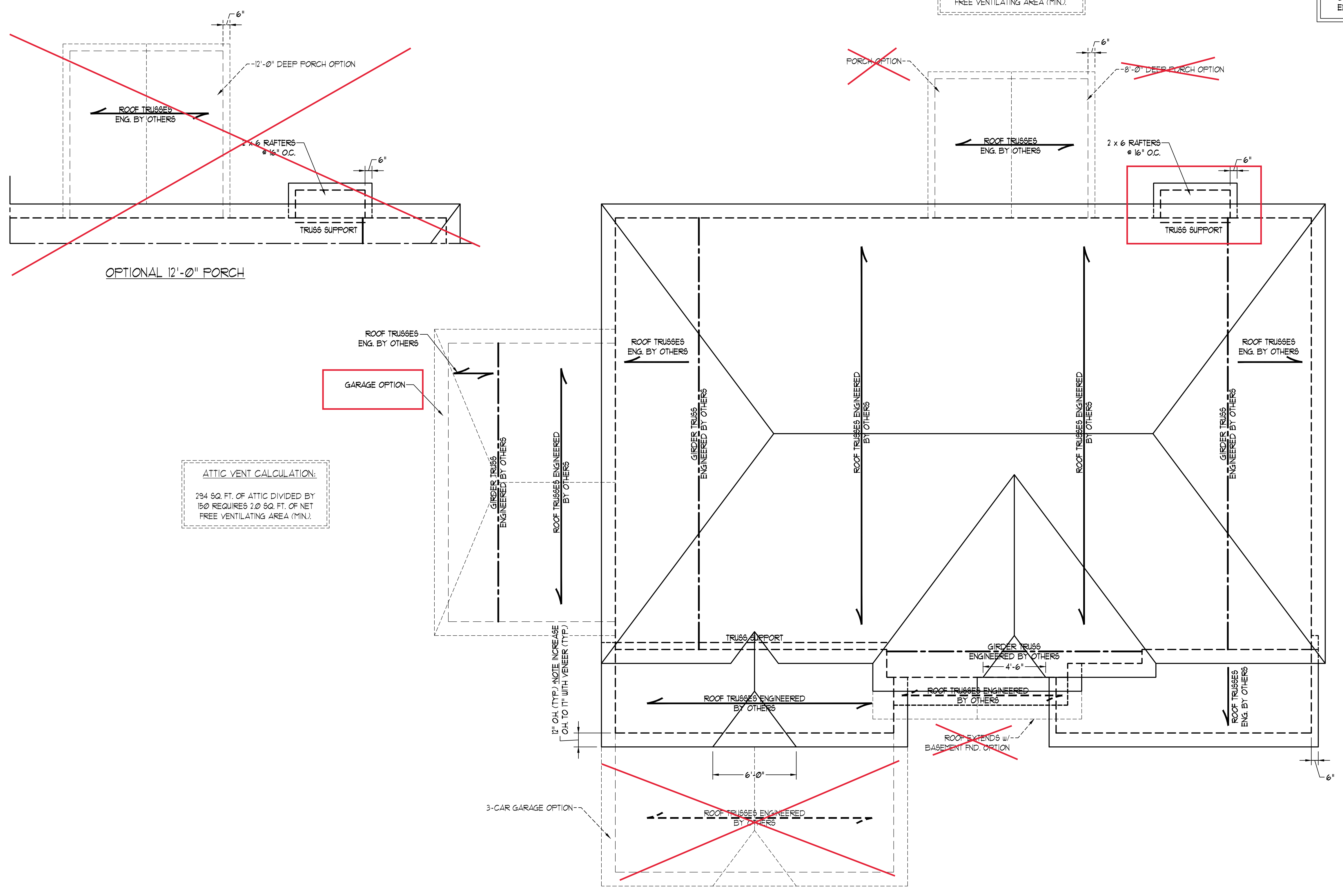
150 SQ. FT. OF ATTIC DIVIDED BY 150 REQUIRES 1.0 SQ. FT. OF NET FREE VENTILATING AREA (MIN).

ATTIC VENT CALCULATION:

176 SQ. FT. OF ATTIC DIVIDED BY 150 REQUIRES 0.8 SQ. FT. OF NET FREE VENTILATING AREA (MIN).

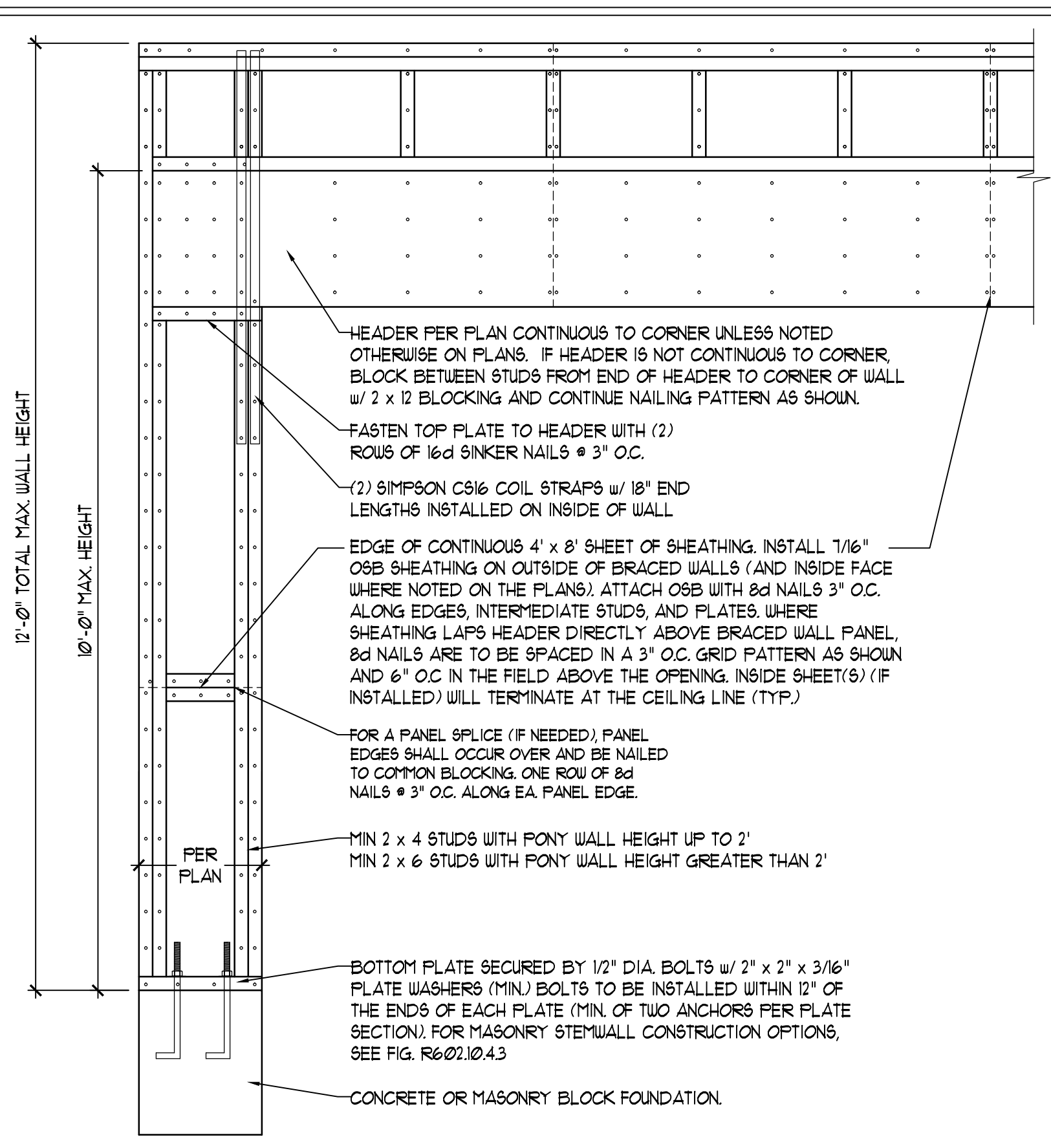
ATTIC VENT CALCULATION:

294 SQ. FT. OF ATTIC DIVIDED BY 150 REQUIRES 2.0 SQ. FT. OF NET FREE VENTILATING AREA (MIN).

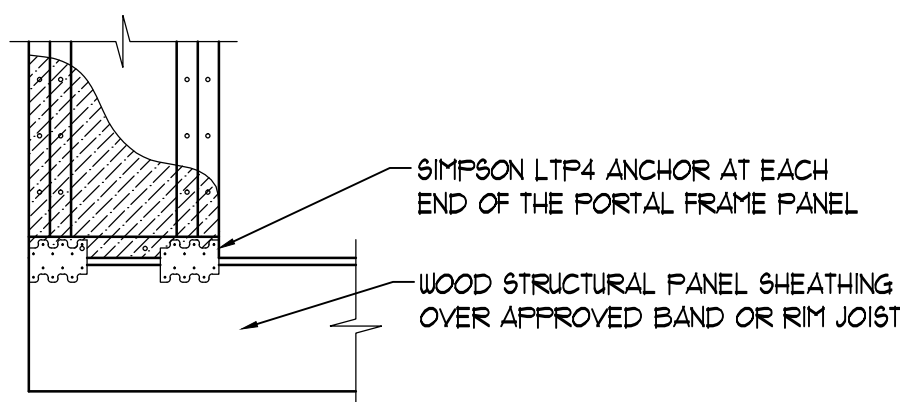


GENERAL WALL BRACING NOTES:

1. WALL BRACING DESIGNED IN ACCORDANCE WITH CHAPTER 6 OF THE 2018 NC RESIDENTIAL BUILDING CODE (NRC). TABLES AND FIGURES REFERENCED ARE FROM THE 2018 NRC.
2. SEE THIS SHEET FOR GENERAL DETAILS. REFER TO THE 2018 NRC FOR ADDITIONAL INFORMATION AS NEEDED.
3. SEE STRUCTURAL SHEETS FOR BRACED WALL LOCATIONS, DIMENSIONS, HOLD DOWN TYPE AND LOCATIONS, BRACED WALL LINE KEY WITH WALL DESIGN SUMMARY OF REQUIRED/PROVIDED TOTALS FOR EACH WALL LINE AND ANY SPECIAL NOTES OR REQUIREMENTS.
4. ALL EXTERIOR WALLS ARE TO BE SHEATHED WITH CS-WSP IN ACCORDANCE WITH SECTION R602.10.3 UNLESS NOTED OTHERWISE.
5. ALL EXTERIOR AND INTERIOR WALLS TO HAVE 1/2" GYPSUM INSTALLED. WHEN NOT USING METHOD 'GB', GYPSUM TO BE FASTENED PER TABLE R702.3.5. METHOD GB TO BE FASTENED PER TABLE R602.10.1.
6. CS-WSP REFERS TO THE "CONTINUOUS SHEATHING - WOOD STRUCTURAL PANELS" WALL BRACING METHOD. 1/16" OSB SHEATHING IS TO BE INSTALLED ON ALL EXTERIOR WALLS ATTACHED w/ 6d COMMON NAILS OR 8d (2 1/2" LONG x 0.13" DIAMETER) NAILS SPACED 6" O.C. ALONG PANEL EDGES AND 12" O.C. IN THE FIELD (UNO).
7. GB REFERS TO THE "GYPSUM BOARD" WALL BRACING METHOD. 1/2" (MIN) GYPSUM WALL BOARD IS TO BE INSTALLED ON BOTH SIDES OF THE BRACED WALL FASTENED WITH 1 1/4" SCREWS OR 1 5/8" NAILS SPACED 1" O.C. ALONG PANEL EDGES INCLUDING TOP AND BOTTOM PLATES AND INTERMEDIATE SUPPORTS (UNO). VERIFY ALL FASTENER OPTIONS FOR 1/2" AND 5/8" GYPSUM PRIOR TO CONSTRUCTION. FOR INTERIOR FASTENER OPTIONS SEE TABLE R702.3.5. FOR EXTERIOR FASTENER OPTIONS SEE TABLE R602.3(1). EXTERIOR GB TO BE INSTALLED VERTICALLY.
8. REQUIRED BRACED WALL LENGTH FOR EACH SIDE OF THE CIRCUMSCRIBED RECTANGLE ARE INTERPOLATED PER TABLE R602.10.3. METHOD CS-WSP CONTRIBUTES ITS ACTUAL LENGTH, METHOD GB CONTRIBUTES 5 ITS ACTUAL LENGTH, AND METHOD PF CONTRIBUTES 15 TIMES ITS ACTUAL LENGTH.

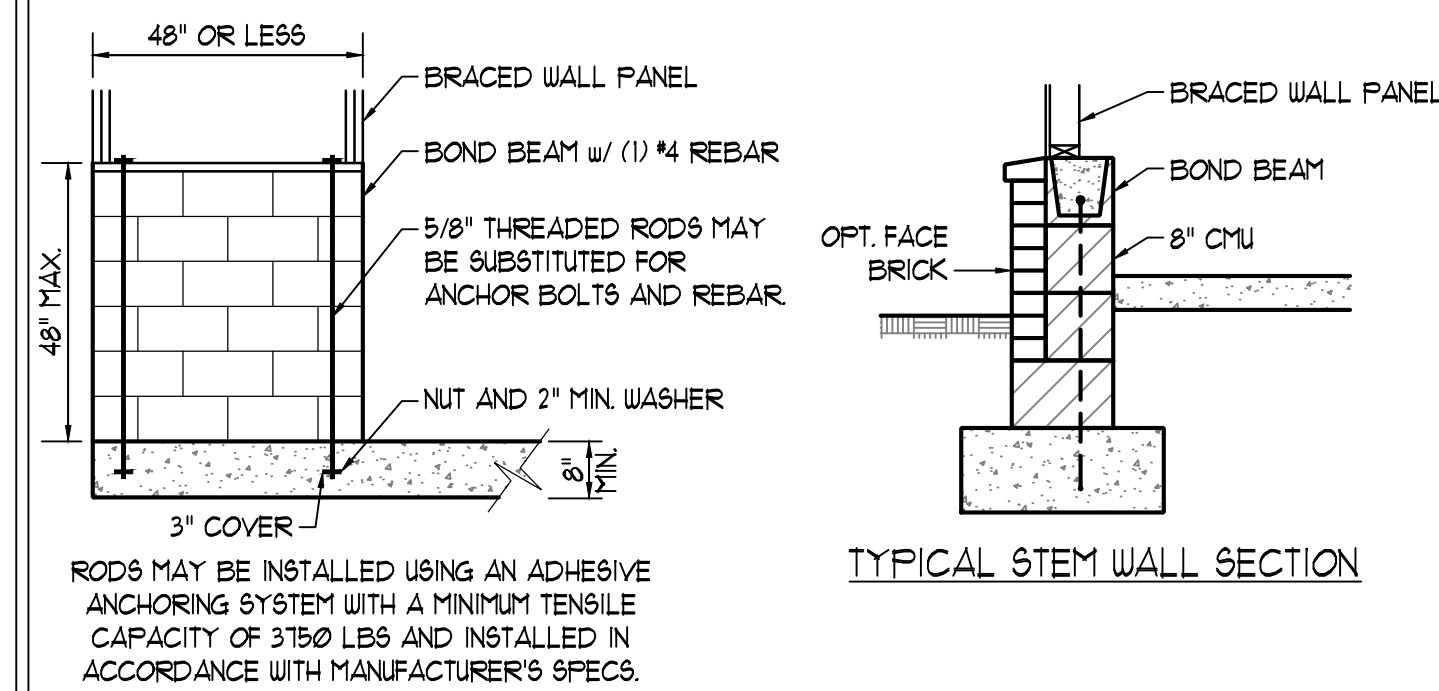
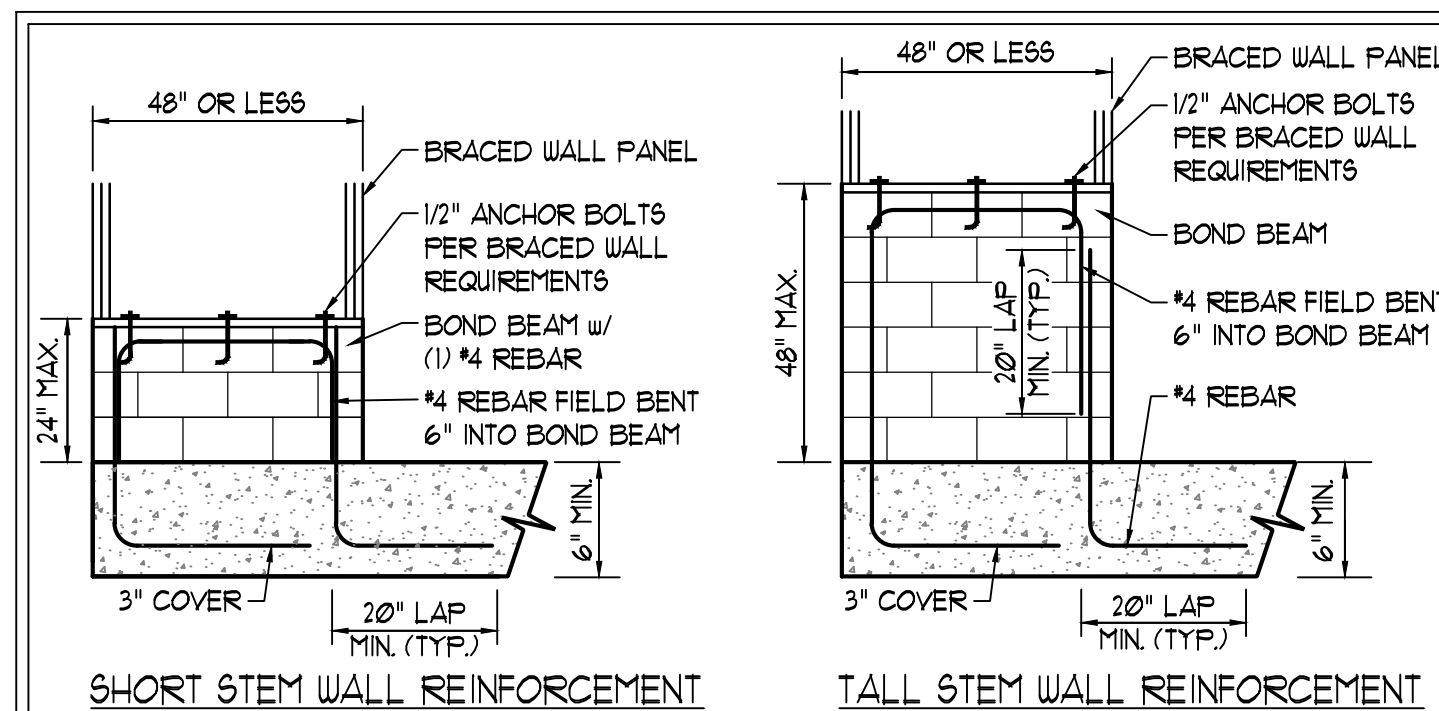


OVER CONCRETE OR MASONRY BLOCK FOUNDATION



OVER RAISED WOOD FLOOR - FRAMING ANCHOR OPTION
 * APPLICABLE w/ GREATER THAN 12" KNEE WALL HEIGHTS IN CRAWL SPACE AND ABOVE FRAMED BASEMENT WALLS *

METHOD PF-PORTAL FRAME DETAIL ①



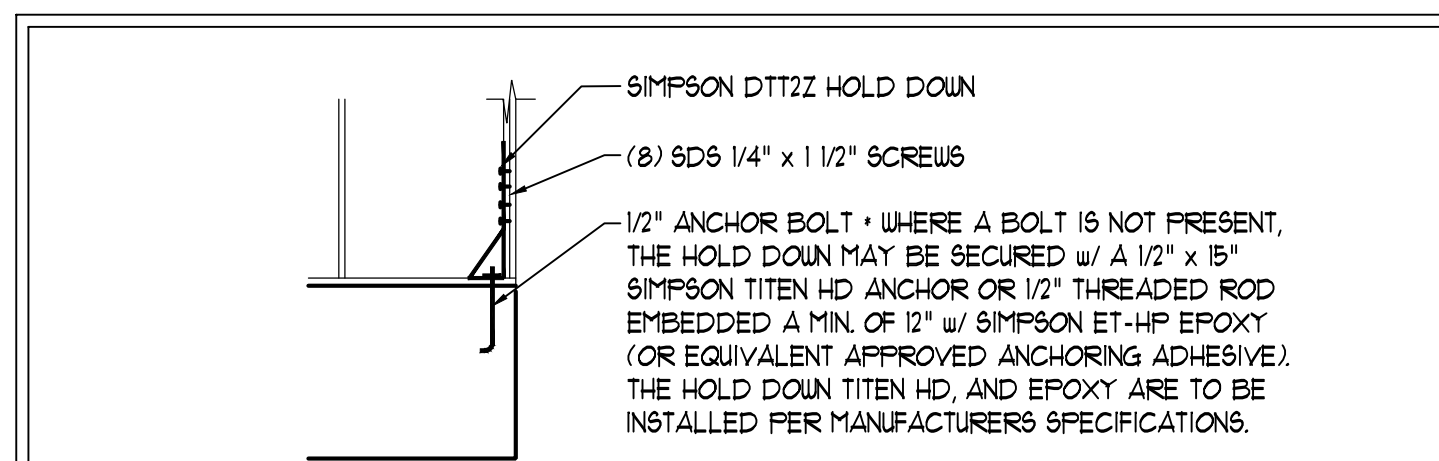
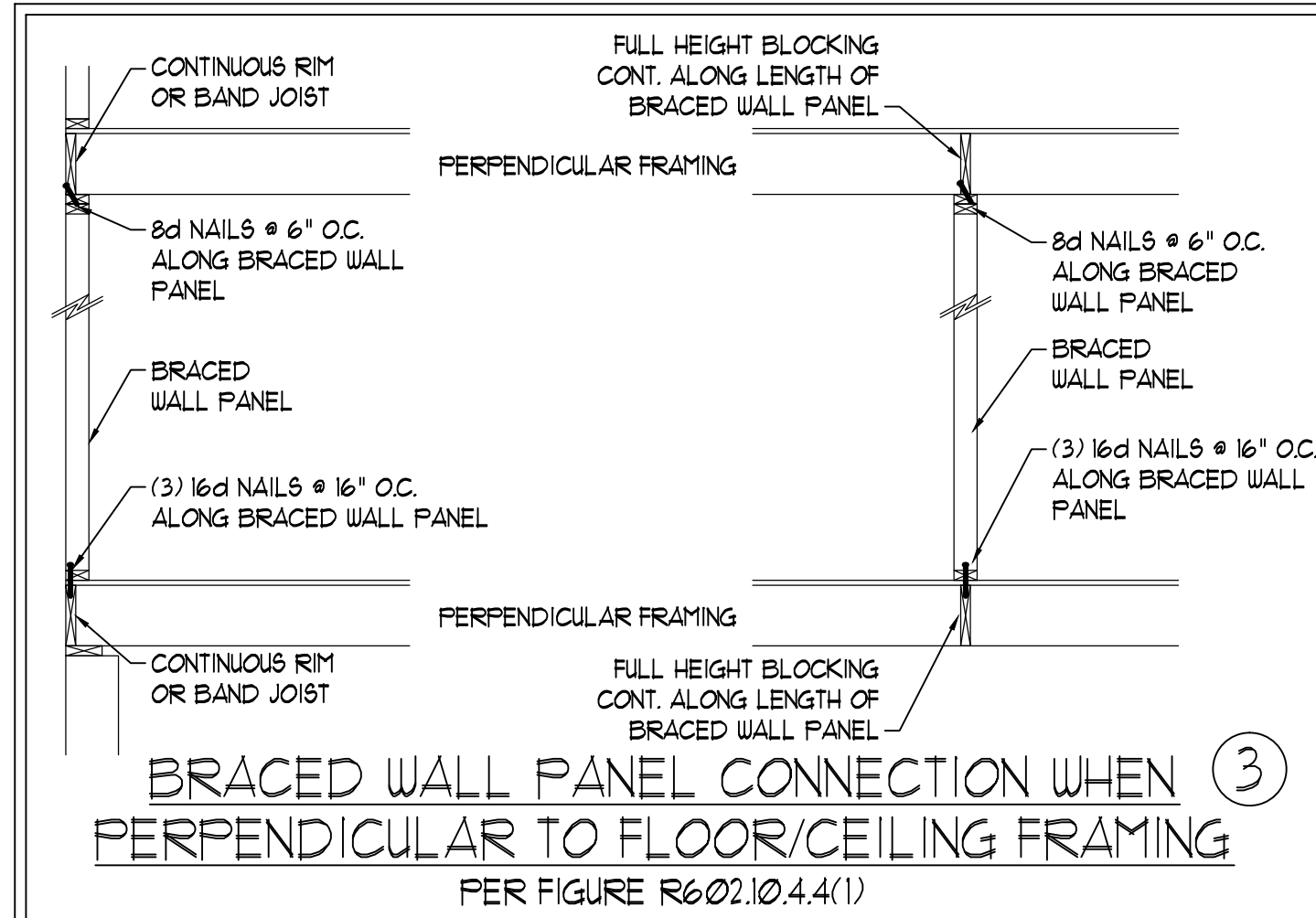
RODS MAY BE INSTALLED USING AN ADHESIVE ANCHORING SYSTEM WITH A MINIMUM TENSILE CAPACITY OF 3150 LBS AND INSTALLED IN ACCORDANCE WITH MANUFACTURER'S SPECS.

OPTIONAL STEM WALL REINFORCEMENT

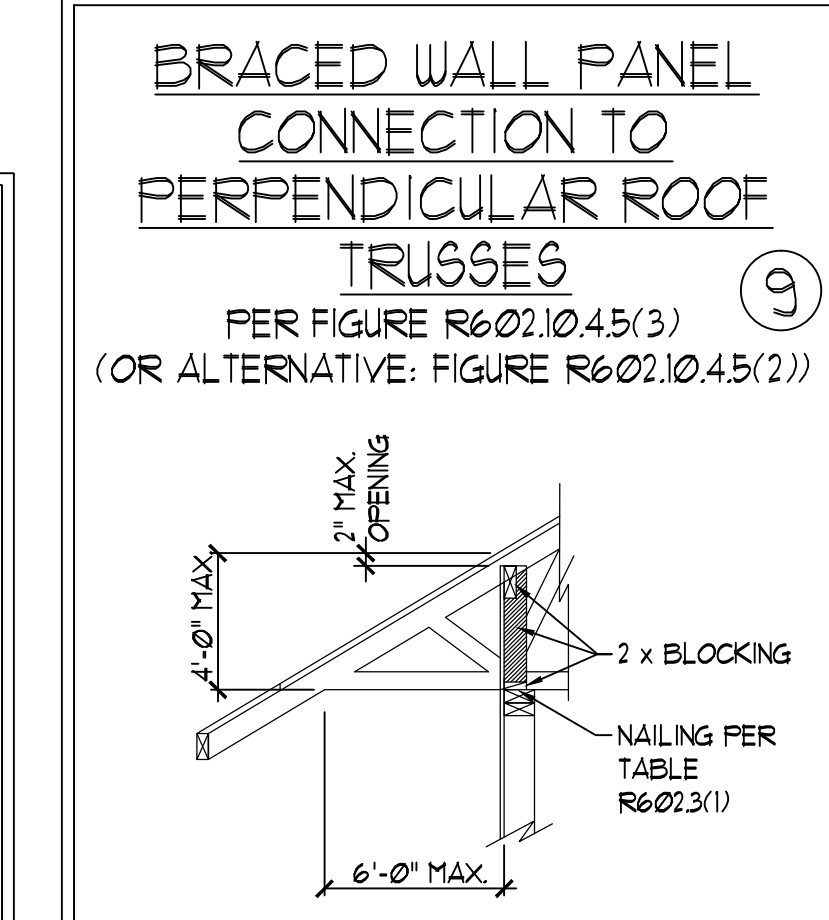
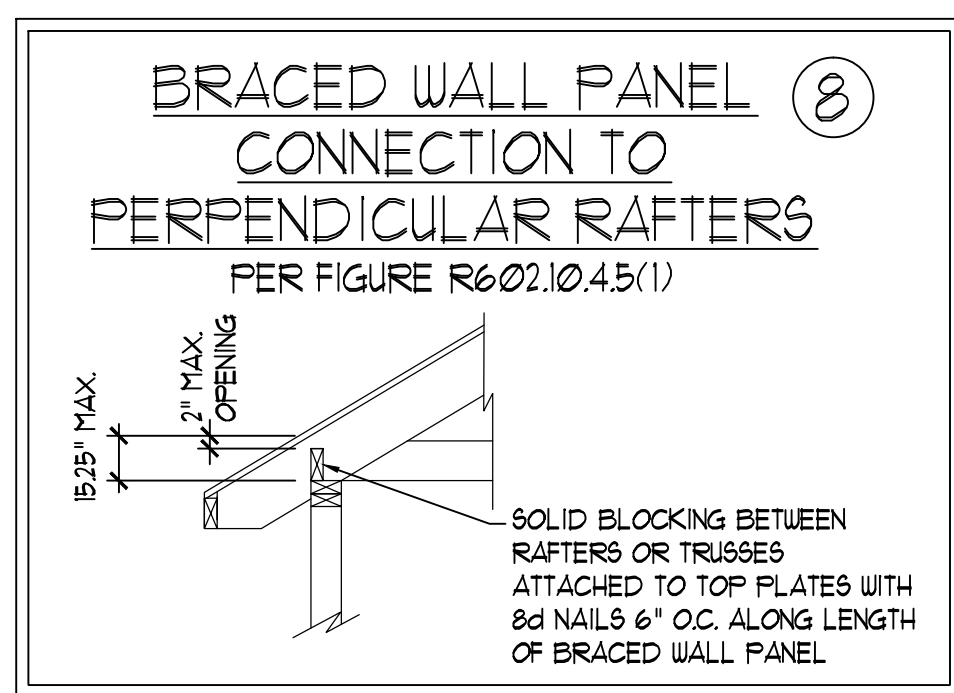
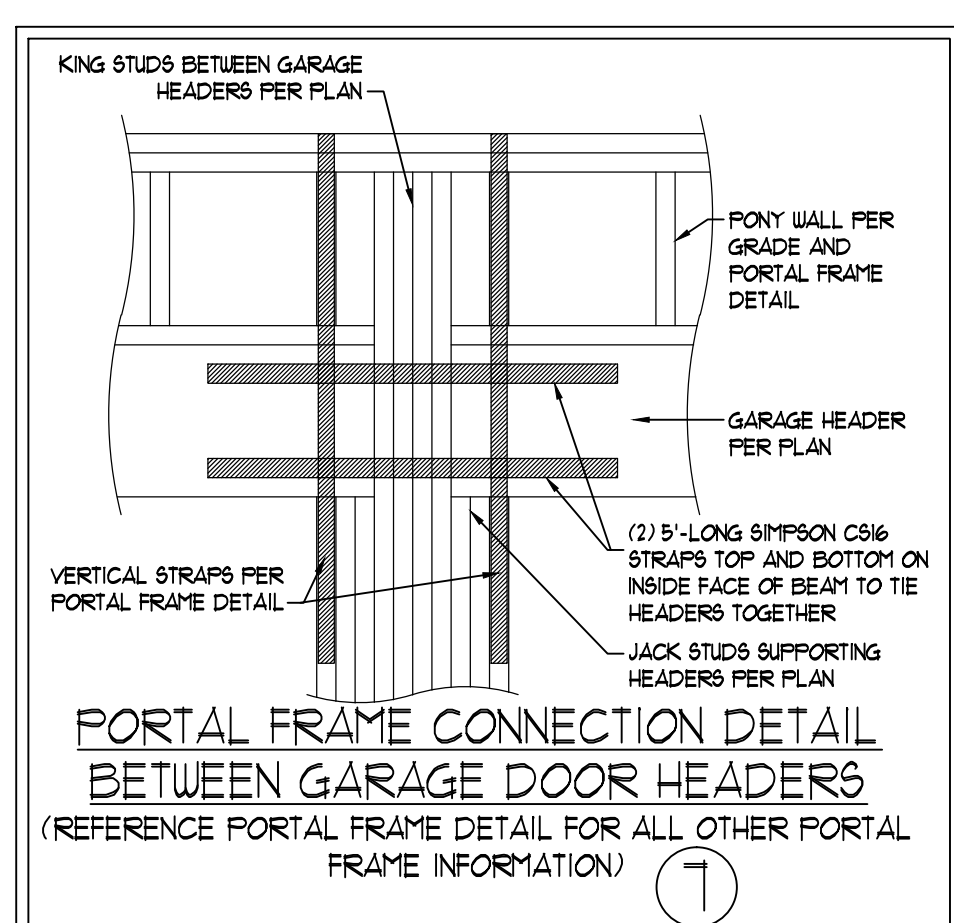
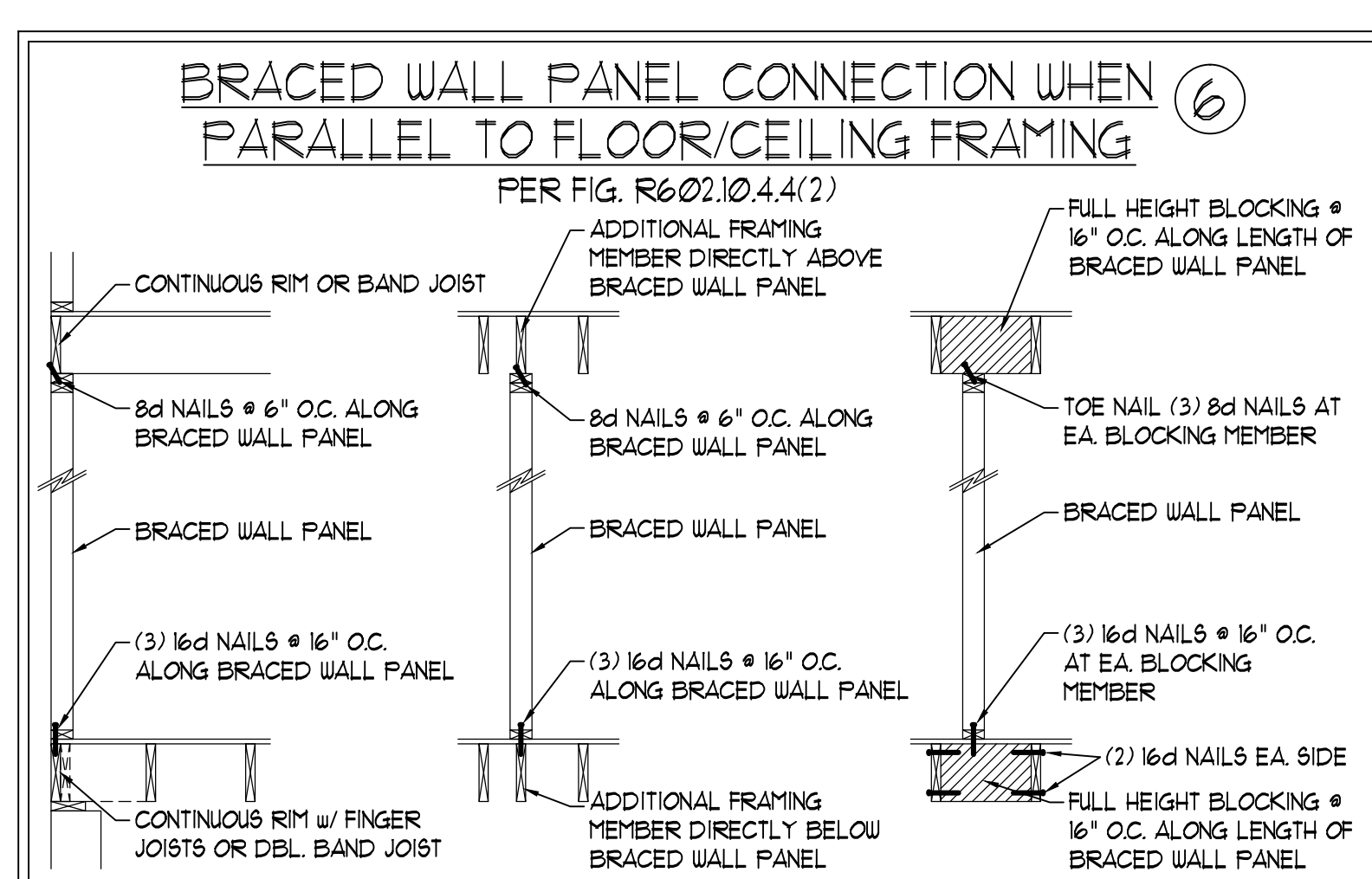
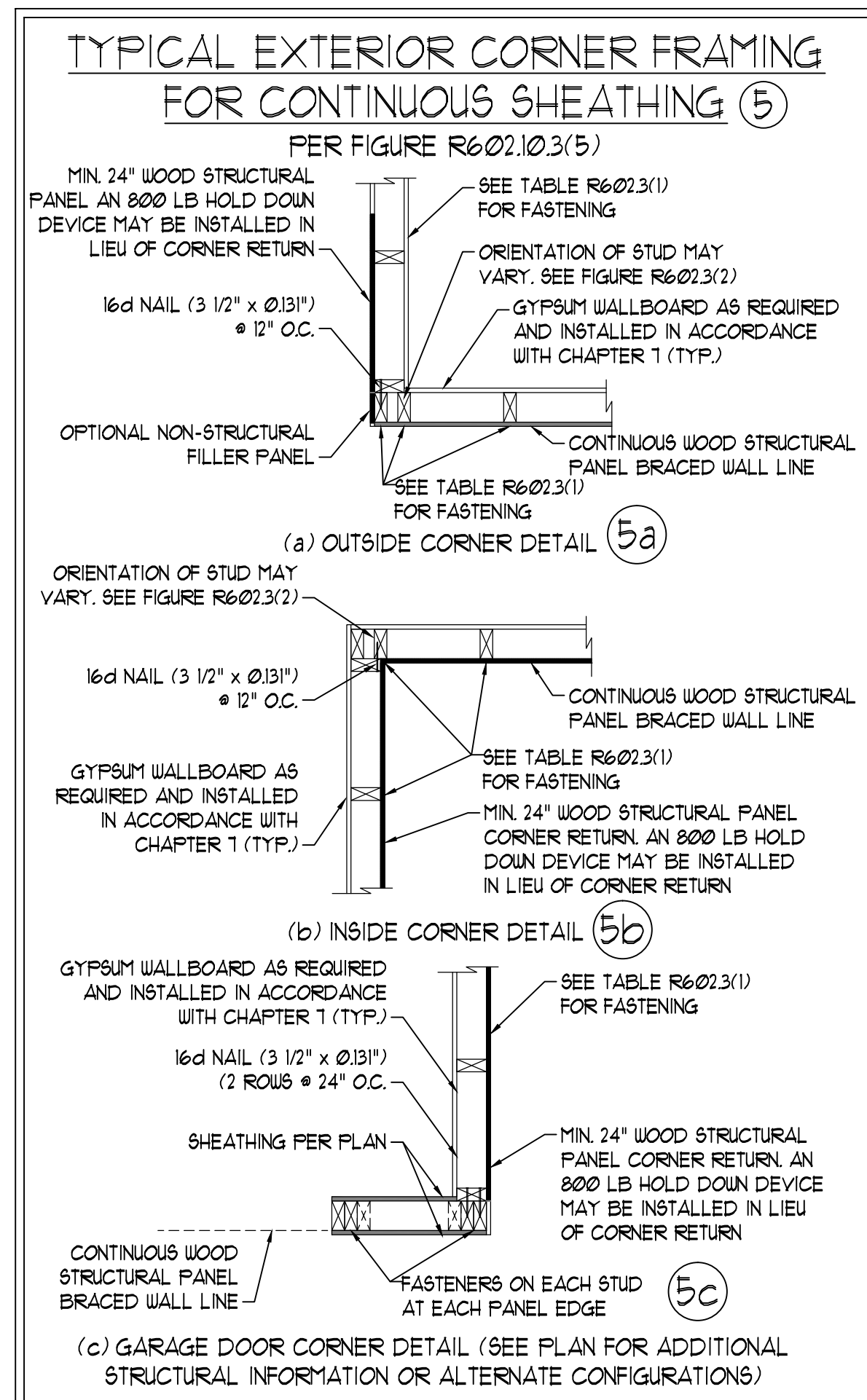
NOTE: GROUT BOND BEAMS AND ALL CELLS WHICH CONTAIN REBAR, THREADED RODS AND ANCHOR BOLTS

MASONRY STEM WALLS SUPPORTING BRACED WALL PANELS ②

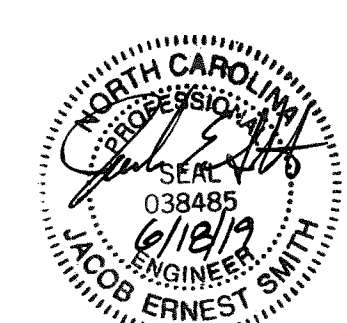
PER FIGURE R602.10.4.3



HOLD DOWN DETAIL FOR MASONRY FOUNDATION OR MONOLITHIC SLAB ④
 * APPLICABLE ONLY WHERE SPECIFIED ON PLAN *



This sealed page is to be used in conjunction with a full plan set engineered by J.S. Thompson Engineering, Inc. only. Use of this individual sealed page within architectural pages or shop drawings by others is a punishable offense under N.C. Statute § 89C-23



J.S. THOMPSON ENGINEERING, INC.
 606 WADE AVE., SUITE 104 RALEIGH, NC 27605
 PHONE: (919) 789-9919 FAX: (919) 789-9921
 N.C. LICENSE NO.: C-1733

120 MPH - 130 MPH ULTIMATE DESIGN WIND SPEED
 WALL BRACING NOTES AND DETAILS

DATE: NOVEMBER 14, 2018
 SCALE: 1/4" = 1'-0"
 DRAWN BY: JST
 ENGINEERED BY: JST

D-2
 BRACED WALL NOTES AND DETAILS AND PF DETAIL

GENERAL NOTES

- ENGINEER'S SEAL APPLIES ONLY TO STRUCTURAL COMPONENTS INCLUDING ROOF RAFTERS, HIPS, VALLEYS, RIDGES, FLOORS, WALLS, BEAMS, HEADERS, COLUMNS, CANTILEVERS, OFFSET LOAD BEARING WALLS, PIERS, GIRDER SYSTEM AND FOOTING. ENGINEER'S SEAL DOES NOT CERTIFY DIMENSIONAL ACCURACY OF ARCHITECTURAL LAYOUT INCLUDING ROOF. ENGINEER'S SEAL DOES NOT APPLY TO I-JOIST OR FLOOR/ROOF TRUSS LAYOUT DESIGN AND ACCURACY.
- ALL CONSTRUCTION SHALL CONFORM TO THE LATEST REQUIREMENTS OF THE NORTH CAROLINA RESIDENTIAL CODE (NRC) 2018 EDITION, PLUS ALL LOCAL CODES AND REGULATIONS. THE STRUCTURAL ENGINEER IS NOT RESPONSIBLE FOR, AND WILL NOT HAVE CONTROL OF, CONSTRUCTION MEANS, METHODS, TECHNIQUES, SEQUENCES OR PROCEDURES, OR SAFETY PRECAUTIONS AND PROGRAMS IN CONNECTION WITH THE CONSTRUCTION WORK. NOR WILL THE ENGINEER BE RESPONSIBLE FOR THE CONTRACTORS FAILURE TO CARRY OUT THE CONSTRUCTION WORK IN ACCORDANCE WITH THE CONTRACT DOCUMENTS.
- STRUCTURAL DESIGN BASED ON THE PROVISIONS OF THE NRC, 2018 EDITION (R301.4 - R301.7)

DESIGN CRITERIA:	LIVE LOAD (PSF)	DEAD LOAD (PSF)	DEFLECTION (IN)
ATTIC WITH LIMITED STORAGE	20	10	L/240 (L/360 w/ BRITTLE FINISHES)
ATTIC WITHOUT STORAGE	10	10	L/360
DECKS	40	10	L/360
EXTERIOR BALCONIES	40	10	L/360
FIRE ESCAPES	40	10	L/360
HANDRAILS/GUARDRAILS	200 LB OR 50 (PLF)	10	L/360
PASSENGER VEHICLE GARAGE	50	10	L/360
ROOMS OTHER THAN SLEEPING ROOM	40	10	L/360
SLEEPING ROOMS	30	10	L/360
STAIRS	40	10	L/360
WIND LOAD	(BASED ON TABLE R301.2(4) WIND ZONE AND EXPOSURE)		
GROUND SNOW LOAD: P _g	20 (PSF)		

 - I-JOIST SYSTEMS DESIGNED WITH 12 PSF DEAD LOAD AND DEFLECTION (IN) OF L/480
 - FLOOR TRUSS SYSTEMS DESIGNED WITH 15 PSF DEAD LOAD
- FOR 115 AND 120 MPH WIND ZONES, FOUNDATION ANCHORAGE IS TO COMPLY WITH SECTION R403.1.6 OF THE NRC, 2018 EDITION. FOR 130 MPH, 140 MPH, AND 150 MPH WIND ZONES, FOUNDATION ANCHORAGE IS TO COMPLY WITH SECTION 450.4 OF THE NRC, 2018 EDITION.
- ENERGY EFFICIENCY COMPLIANCE AND INSULATION VALUES OF THE BUILDING TO BE IN ACCORDANCE WITH CHAPTER 11 OF THE NRC, 2018 EDITION.

FOOTING AND FOUNDATION NOTES

- FOUNDATION DESIGN BASED ON A MINIMUM ALLOWABLE BEARING CAPACITY OF 2000 PSF. CONTACT GEOTECHNICAL ENGINEER IF BEARING CAPACITY IS NOT ACHIEVED.
- FOR ALL CONCRETE SLABS AND FOOTINGS, THE AREA WITHIN THE PERIMETER OF THE BUILDING ENVELOPE SHALL HAVE ALL VEGETATION, TOP SOIL AND FOREIGN MATERIAL REMOVED. FILL MATERIAL SHALL BE FREE OF VEGETATION AND FOREIGN MATERIAL. THE FILL SHALL BE COMPACTED TO ASSURE UNIFORM SUPPORT OF THE SLAB, AND EXCEPT WHERE APPROVED, THE FILL DEPTHS SHALL NOT EXCEED 24" FOR CLEAN SAND OR GRAVEL. A 4" THICK BASED COURSE CONSISTING OF CLEAN GRADED SAND OR GRAVEL SHALL BE PLACED. A BASE COURSE IS NOT REQUIRED WHERE A CONCRETE SLAB IS INSTALLED ON WELL-DRAINED OR SAND-GRAVEL MIXTURE SOILS CLASSIFIED AS GROUP 1, ACCORDING TO THE UNITED SOIL CLASSIFICATION SYSTEM IN ACCORDANCE WITH TABLE R405.1 OF THE NRC, 2018 EDITION.
- PROPERLY DEWATER EXCAVATION PRIOR TO POURING CONCRETE WHEN BOTTOM OF CONCRETE SLAB IS AT OR BELOW WATER TABLE. IF APPLICABLE, 3/4" - 1" DEEP CONTROL JOINTS ARE TO BE SAUED WITHIN 4 TO 12 HOURS OF CONCRETE FINISHING AND WALL LOCATIONS HAVE BEEN MARKED. ADJUST WHERE NECESSARY.
- CONCRETE SHALL CONFORM TO SECTION R402.2 OF THE NRC, 2018 EDITION. CONCRETE REINFORCING STEEL TO BE ASTM A615 GRADE 60. WELDED WIRE FABRIC TO BE ASTM A185. MAINTAIN A MINIMUM CONCRETE COVER AROUND REINFORCING STEEL OF 3" IN FOOTINGS AND 1 1/2" IN SLABS. FOR POURED CONCRETE WALLS, CONCRETE COVER FOR REINFORCING STEEL MEASURED FROM THE INSIDE FACE OF THE WALL SHALL NOT BE LESS THAN 3/4". CONCRETE COVER FOR REINFORCING STEEL MEASURED FROM THE OUTSIDE FACE OF THE WALL SHALL NOT BE LESS THAN 1 1/2" FOR #5 BARS OR SMALLER, AND NOT LESS THAN 2" FOR #6 BARS OR LARGER.
- MASONRY UNITS TO CONFORM TO ACE 530/ASCE 5/TMS 402. MORTAR SHALL CONFORM TO ASTM C270.
- THE UNSUPPORTED HEIGHT OF MASONRY PIERS SHALL NOT EXCEED FOUR TIMES THEIR LEAST DIMENSION FOR INFILLED HOLLOW CONCRETE MASONRY UNITS AND TEN TIMES THEIR LEAST DIMENSION FOR SOLID OR SOLID FILLED PIERS. PIERS MAY BE FILLED SOLID WITH CONCRETE OR TYPE M OR S MORTAR. PIERS AND WALLS SHALL BE CAPPED WITH 8" OF SOLID MASONRY.
- THE CENTER OF EACH OF THE PIERS SHALL BEAR IN THE MIDDLE THIRD OF ITS RESPECTIVE FOOTING. EACH GIRDER SHALL BEAR IN THE MIDDLE THIRD OF THE PIERS.
- ALL CONCRETE AND MASONRY FOUNDATION WALLS ARE TO BE CONSTRUCTED IN ACCORDANCE WITH THE PROVISIONS OF SECTION R404 OF THE NRC, 2018 EDITION OR IN ACCORDANCE WITH ACI 318, ACI 332, NCHA TR68-A OR ACE 530/ASCE 5/TMS 402. MASONRY FOUNDATION WALLS ARE TO BE REINFORCED PER TABLE R404.1(1), R404.1(2), R404.1(3), OR R404.1(4) OF THE NRC, 2018 EDITION. CONCRETE FOUNDATION WALLS ARE TO BE REINFORCED PER TABLE R404.1(5) OF THE NRC, 2018 EDITION. STEEL CONCRETE FOUNDATION WALLS TO 2 x 6 FRAMED WALLS AT 16" O.C. WHERE GRADE PERMITS (UNO).

This sealed page is to be used in conjunction with a full plan set engineered by J.S. Thompson Engineering, Inc. only. Use of this individual sealed page within architectural pages or shop drawings by others is a punishable offense under N.C. Statute § 89C-23

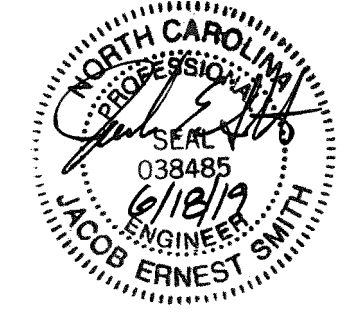
FRAMING NOTES

- ALL FRAMING LUMBER SHALL BE #2 SFF MINIMUM (F_b = 875 PSI, F_v = 375 PSI, E = 1600000 PSI) UNLESS NOTED OTHERWISE (UNO). ALL TREATED LUMBER SHALL BE #2 SYP MINIMUM (F_b = 975 PSI, F_v = 175 PSI, E = 1600000 PSI) UNLESS NOTED OTHERWISE (UNO).
- LAMINATED VENEER LUMBER (LVL) SHALL HAVE THE FOLLOWING MINIMUM PROPERTIES: F_b = 2600 PSI, F_v = 285 PSI, E = 1900000 PSI. LAMINATED STRAND LUMBER (LSL) SHALL HAVE THE FOLLOWING MINIMUM PROPERTIES: F_b = 2375 PSI, F_v = 310 PSI, E = 1550000 PSI. PARALLEL STRAND LUMBER (PSL) UP TO 1" DEPTH SHALL HAVE THE FOLLOWING MINIMUM PROPERTIES: F_c = 2500 PSI, E = 1800000 PSI. PARALLEL STRAND LUMBER (PSL) MORE THAN 1" DEPTH SHALL HAVE THE FOLLOWING MINIMUM PROPERTIES: F_c = 2900 PSI, E = 2000000 PSI. INSTALL ALL CONNECTIONS PER MANUFACTURER'S SPECIFICATIONS.
- STRUCTURAL STEEL SHALL CONFORM TO THE FOLLOWING ASTM SPECIFICATIONS

A. W AND WT SHAPES:	ASTM A992
B. CHANNELS AND ANGLES:	ASTM A36
C. FLATES AND BARS:	ASTM A36
D. HOLLOW STRUCTURAL SECTIONS:	ASTM A500 GRADE B
E. STEEL PIPE:	ASTM A53, GRADE B, TYPE E OR S
- STEEL BEAMS SHALL BE SUPPORTED AT EACH END WITH A MINIMUM BEARING LENGTH OF 3 1/2" AND FULL FLANGE WIDTH (UNO). PROVIDE SOLID BEARING FROM BEAM SUPPORT TO FOUNDATION. BEAMS SHALL BE ATTACHED AT THE BOTTOM FLANGE TO EACH SUPPORT AS FOLLOWS (UNO):

A. WOOD FRAMING	(2) 1/2" DIA. x 4" LONG LAG SCREWS
B. CONCRETE	(2) 1/2" DIA. x 4" WEDGE ANCHORS
C. MASONRY (FULLY GROUTED)	(2) 1/2" DIA. x 4" LONG SIMPSON TITEN HD ANCHORS

LATERAL SUPPORT IS CONSIDERED ADEQUATE PROVIDING THE JOISTS ARE TOE NAILED TO THE 2x NAILER ON TOP OF THE STEEL BEAM, AND THE 2x NAILER IS SECURED TO THE TOP OF THE STEEL BEAM w/ (2) ROWS OF SELF TAPPING SCREWS @ 16" O.C. OR (2) ROWS OF 1/2" DIAMETER BOLTS @ 16" O.C. IF 1/2" BOLTS ARE USED TO FASTEN THE NAILER, THE STEEL BEAM SHALL BE FABRICATED w/ (2) ROWS OF 9/16" DIAMETER HOLES @ 16" O.C.
- SQUARES DENOTE POINT LOADS WHICH REQUIRE SOLID BLOCKING TO GIRDER OR FOUNDATION. SHADED SQUARES DENOTE POINT LOADS FROM ABOVE WHICH REQUIRE SOLID BLOCKING TO SUPPORTING MEMBER BELOW.
- ALL LOAD BEARING HEADERS TO CONFORM TO TABLE R602.7(1) AND R602.7(2) OF THE NRC, 2018 EDITION OR BE (2) 2 x 6 WITH (1) JACK AND (1) KING STUD EACH END (UNO) WHICHEVER IS GREATER ALL HEADERS TO BE SECURED TO EACH JACK STUD WITH (4) 8d NAILS. ALL BEAMS TO BE SUPPORTED WITH (2) STUDS AT EACH BEARING POINT (UNO). INSTALL KING STUDS PER SECTION R602.15 OF THE NORTH CAROLINA RESIDENTIAL CODE, 2018 EDITION.
- ALL BEAMS, HEADERS, OR GIRDER TRUSSES PARALLEL TO WALL ARE TO BEAR FULLY ON (1) JACK OR (2) STUDS MINIMUM OR THE NUMBER OF JACKS OR STUDS NOTED. ALL BEAMS OR GIRDER TRUSSES PERPENDICULAR TO WALL AND SUPPORTED BY (3) STUDS OR LESS ARE TO HAVE 1 1/2" MINIMUM BEARING (UNO). ALL BEAMS OR GIRDER TRUSSES PERPENDICULAR TO WALL AND SUPPORTED BY MORE THAN (3) STUDS OR OTHER NOTED COLUMN ARE TO BEAR FULLY ON SUPPORT COLUMN FOR ENTIRE WALL DEPTH (UNO). BEAM ENDS THAT BUTT INTO ONE ANOTHER ARE TO EACH BEAR EQUAL LENGTHS (UNO).
- FLITCH BEAMS SHALL BE BOLTED TOGETHER USING 1/2" DIAMETER BOLTS (ASTM A307) WITH WASHERS PLACED AT THREADED END OF BOLT. BOLTS SHALL BE SPACED AT 24" CENTERS (MAXIMUM), AND STAGGERED AT TOP AND BOTTOM OF BEAM (2" EDGE DISTANCE), WITH (2) BOLTS LOCATED AT 6" FROM EACH END (UNO).
- ALL I-JOIST OR TRUSS LAYOUTS ARE TO BE IN COMPLIANCE WITH THE OVERALL DESIGN SPECIFIED ON THE PLANS. ALL DEVIATIONS ARE TO BE BROUGHT TO THE ATTENTION OF THE ENGINEER OF RECORD PRIOR TO INSTALLATION.
- BRACED WALL PANELS SHALL BE CONSTRUCTED ACCORDING TO THE NORTH CAROLINA RESIDENTIAL CODE 2018 EDITION WALL BRACING CRITERIA. THE AMOUNT, LENGTH, AND LOCATION OF BRACING SHALL COMPLY WITH ALL APPLICABLE TABLES IN SECTION R602.10.
- PROVIDE DOUBLE JOIST UNDER ALL WALLS PARALLEL TO FLOOR JOISTS. PROVIDE SUPPORT UNDER ALL WALLS PARALLEL TO FLOOR TRUSSES OR I-JOISTS PER MANUFACTURER'S SPECIFICATIONS. INSTALL BLOCKING BETWEEN JOISTS OR TRUSSES FOR POINT LOAD SUPPORT FOR ALL POINT LOADS ALONG OFFSET LOAD LINES.
- FOR ALL HEADERS SUPPORTING BRICK VENEER THAT ARE LESS THAN 8'-0" IN LENGTH, REST A 6" x 4" x 5/16" STEEL ANGLE WITH 6" MINIMUM EMBEDMENT AT SIDES FOR BRICK SUPPORT (UNO). FOR ALL HEADERS 8'-0" AND GREATER IN LENGTH, BOLT A 6" x 4" x 5/16" STEEL ANGLE TO HEADER WITH 1/2" LAG SCREWS AT 12" O.C. STAGGERED FOR BRICK SUPPORT. FOR ALL BRICK SUPPORT AT ROOF LINES, BOLT A 6" x 4" x 5/16" STEEL ANGLE TO (2) 2 x 10 BLOCKING INSTALLED w/ (4) 12d NAILS EA. PLY BETWEEN WALL STUDS WITH (2) ROWS OF 1/2" LAG SCREWS AT 12" O.C. STAGGERED AND IN ACCORDANCE WITH SECTION R103.2(2) OF THE NRC, 2018 EDITION.
- FOR STICK FRAMED ROOFS, CIRCLES DENOTE (3) 2 x 4 POSTS FOR ROOF MEMBER SUPPORT. HIP SPLICES ARE TO BE SPACED A MINIMUM OF 8'-0". FASTEN MEMBERS WITH THREE ROWS OF 12d NAILS AT 16" O.C. FRAME DORMER WALLS ON TOP OF DOUBLE OR TRIPLE RAFTERS AS SHOWN (UNO).
- FOR TRUSSED ROOFS, FRAME DORMER WALLS ON TOP OF 2 x 4 LADDER FRAMING AT 24" O.C. BETWEEN ADJACENT ROOF TRUSSES. STICK FRAME OVER-FRAMED ROOF SECTIONS WITH 2 x 8 RIDGES, 2 x 6 RAFTERS AT 16" O.C. AND FLAT 2 x 10 VALLEYS (UNO).
- ALL 4 x 4 AND 6 x 6 POSTS TO BE INSTALLED WITH 100 LB CAPACITY UPLIFT CONNECTORS TOP AND BOTTOM (UNO). POSTS MAY BE SECURED USING ONE SIMPSON I46 OR LT92 UPLIFT CONNECTOR FASTENED TO THE BAND AT THE BOTTOM AND THE BEAM AT THE TOP OF EACH POST. ONE 16" SECTION OF SIMPSON C916 COIL STRAPPING WITH (8) 8d HDG NAILS AT EACH END MAY BE USED IN LIEU OF EACH TWIN STRAP IF DESIRED. FOR MASONRY OR CONCRETE FOUNDATION USE SIMPSON POST BASE.



J.S. THOMPSON ENGINEERING, INC.
 606 WADE AVE., SUITE 104 RALEIGH, NC 27605
 PHONE: (919) 789-9919 FAX: (919) 789-9921
 N.C. LICENSE NO.: C-1733

120 MPH - 130 MPH ULTIMATE DESIGN WIND SPEED
 STANDARD STRUCTURAL NOTES

DATE: NOVEMBER 14, 2018
SCALE: 1/4" = 1'-0"
DRAWN BY: JES
ENGINEERED BY: JST

S-0
STRUCTURAL
NOTES