

RE: J0620-2873

Trenco
 818 Soundside Rd
 Edenton, NC 27932

Site Information:

Customer: Project Name: J0620-2873
 Lot/Block: Model:
 Address: Subdivision:
 City: State:

General Truss Engineering Criteria & Design Loads (Individual Truss Design Drawings Show Special Loading Conditions):

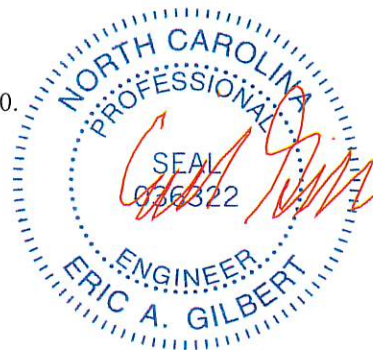
Design Code: IRC2009/TPI2007 Design Program: MiTek 20/20 8.3
 Wind Code: N/A Wind Speed: N/A mph
 Roof Load: N/A psf Floor Load: 55.0 psf

This package includes 15 individual, dated Truss Design Drawings and 0 Additional Drawings.

No.	Seal#	Truss Name	Date
1	E14484726	F1	6/24/2020
2	E14484727	F3	6/24/2020
3	E14484728	F4	6/24/2020
4	E14484729	F5	6/24/2020
5	E14484730	F6	6/24/2020
6	E14484731	F7	6/24/2020
7	E14484732	F8	6/24/2020
8	E14484733	F9	6/24/2020
9	E14484734	F10	6/24/2020
10	E14484735	F11	6/24/2020
11	E14484736	F12	6/24/2020
12	E14484737	KW	6/24/2020
13	E14484738	KW1	6/24/2020
14	E14484739	KW2	6/24/2020
15	E14484740	KW3	6/24/2020

The truss drawing(s) referenced above have been prepared by Truss Engineering Co. under my direct supervision based on the parameters provided by Comtech, Inc - Fayetteville. Truss Design Engineer's Name: Gilbert, Eric My license renewal date for the state of North Carolina is December 31, 2020. North Carolina COA: C-0844

IMPORTANT NOTE: The seal on these truss component designs is a certification that the engineer named is licensed in the jurisdiction(s) identified and that the designs comply with ANSI/TPI 1. These designs are based upon parameters shown (e.g., loads, supports, dimensions, shapes and design codes), which were given to TRENCO. Any project specific information included is for TRENCO customers file reference purpose only, and was not taken into account in the preparation of these designs. TRENCO has not independently verified the applicability of the design parameters or the designs for any particular building. Before use, the building designer should verify applicability of design parameters and properly incorporate these designs into the overall building design per ANSI/TPI 1, Chapter 2.



Job	Truss	Truss Type	Qty	Ply		E14484726
J0620-2873	F1	FLOOR	8	1		

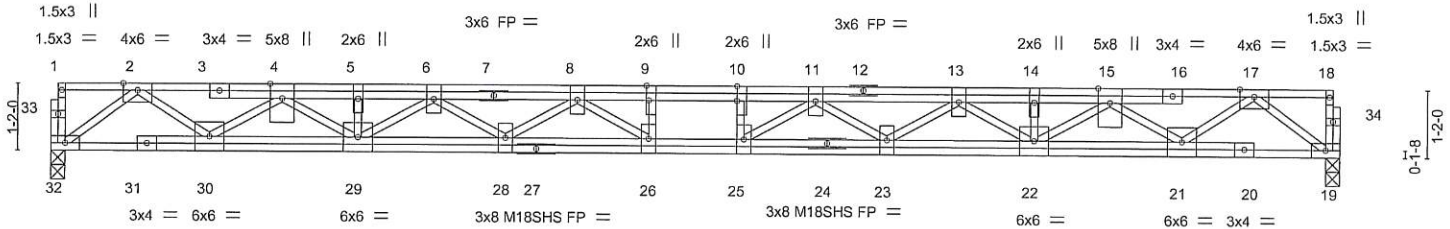
Comtech, Inc, Fayetteville, NC - 28314,

8.330 s May 6 2020 MiTek Industries, Inc. Mon Jun 8 10:33:24 2020 Page 1
 ID:BoL?hgXgIYpqwdQiyUmcQyz41fz-MeuOvwf1TRjrPwe_ay0FyewWIMXNXFoP0BDBVcz8N6v

0-1-8



0-1-8
Scale = 1:38.6



2-9-0	7-10-8	14-6-8	19-8-0	22-5-0
2-9-0	5-1-8	6-8-0	5-1-8	2-9-0
Plate Offsets (X,Y)-- [9:0-3-0,Edge], [10:0-3-0,0-0-0]				

LOADING (psf)	SPACING-	CSI.	DEFL.	in (loc)	l/defl	L/d	PLATES	GRIP
TCLL 40.0	Plate Grip DOL 1.00	TC 0.12	Vert(LL)	-0.30 25-26	>889	480	MT20	244/190
TCDL 10.0	Lumber DOL 1.00	BC 0.31	Vert(CT)	-0.41 25-26	>646	360	M18SHS	244/190
BCLL 0.0	Rep Stress Incr YES	WB 0.63	Horz(CT)	0.06 19	n/a	n/a		
BCDL 5.0	Code IRC2015/TPI2014	Matrix-S						
							Weight: 164 lb	FT = 20%F, 11%E

LUMBER-
 TOP CHORD 2x4 SP 2400F 2.0E(flat)
 BOT CHORD 2x4 SP 2400F 2.0E(flat)
 WEBS 2x4 SP No.3(flat)

BRACING-
 TOP CHORD Structural wood sheathing directly applied or 6-0-0 oc purlins, except end verticals.
 BOT CHORD Rigid ceiling directly applied or 10-0-0 oc bracing.

REACTIONS. (size) 32=0-3-0, 19=0-3-0
 Max Grav 32=970(LC 1), 19=970(LC 1)

FORCES. (lb) - Max. Comp./Max. Ten. - All forces 250 (lb) or less except when shown.
 TOP CHORD 2-4=-2267/0, 4-5=-4172/0, 5-6=-4172/0, 6-8=-5247/0, 8-9=-5785/0, 9-10=-5785/0,
 10-11=-5785/0, 11-13=-5247/0, 13-14=-4172/0, 14-15=-4172/0, 15-17=-2267/0
 BOT CHORD 30-32=0/1227, 29-30=0/3336, 28-29=0/4843, 26-28=0/5628, 25-26=0/5785, 23-25=0/5628,
 22-23=0/4843, 21-22=0/3336, 19-21=0/1227
 WEBS 17-19=-1536/0, 2-32=-1536/0, 17-21=0/1317, 2-30=0/1317, 15-21=-1329/0,
 4-30=-1329/0, 15-22=0/1021, 4-29=0/1021, 13-22=-819/0, 6-29=-819/0, 13-23=0/501,
 6-28=0/501, 11-23=-483/0, 8-28=-483/0, 11-25=-216/559, 8-26=-216/559

- NOTES-**
- 1) Unbalanced floor live loads have been considered for this design.
 - 2) All plates are MT20 plates unless otherwise indicated.
 - 3) All plates are 3x6 MT20 unless otherwise indicated.
 - 4) Plates checked for a plus or minus 1 degree rotation about its center.
 - 5) Required 2x6 strongbacks, on edge, spaced at 10-0-0 oc and fastened to each truss with 3-10d (0.131" X 3") nails. Strongbacks to be attached to walls at their outer ends or restrained by other means.



WARNING - Verify design parameters and READ NOTES ON THIS AND INCLUDED MITEK REFERENCE PAGE MI-7473 rev. 10/03/2015 BEFORE USE.

Design valid for use only with MiTek® connectors. This design is based only upon parameters shown, and is for an individual building component, not a truss system. Before use, the building designer must verify the applicability of design parameters and properly incorporate this design into the overall building design. Bracing indicated is to prevent buckling of individual truss web and/or chord members only. Additional temporary and permanent bracing is always required for stability and to prevent collapse with possible personal injury and property damage. For general guidance regarding the fabrication, storage, delivery, erection and bracing of trusses and truss systems, see ANSITPI1 Quality Criteria, DSB-89 and BCSI Building Component Safety Information available from Truss Plate Institute, 218 N. Lee Street, Suite 312, Alexandria, VA 22314.

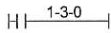
ENGINEERING BY
TRENCO
 A MiTek Affiliate
 818 Soundside Road
 Edenonton, NC 27932

Job	Truss	Truss Type	Qty	Ply	Job Reference (optional)	E14484727
J0620-2873	F3	FLOOR	7	1		

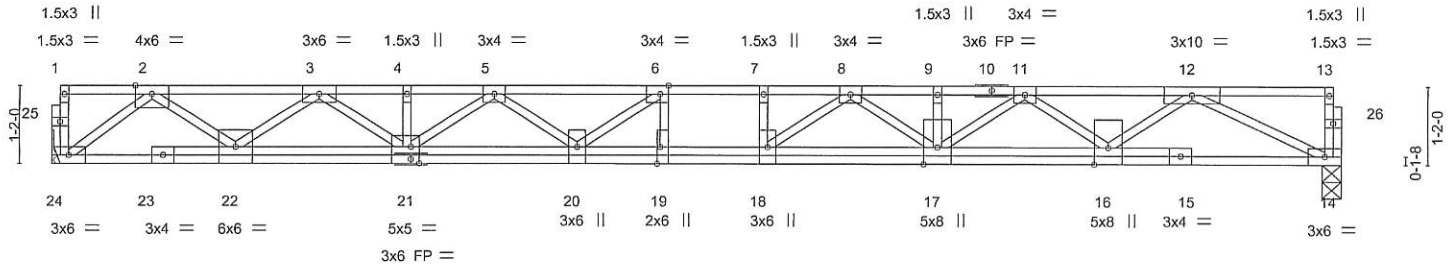
Comtech, Inc, Fayetteville, NC - 28314,

8.330 s May 6 2020 MiTek Industries, Inc. Mon Jun 8 10:33:27 2020 Page 1
ID:BoL?hgXglYpqwdOiyUmcQyz41fz-nDaXXyhvmM5QHNMF5ZyaGYypaXrkbori9Rs6wz8N6s

0-1-8



0-1-8
Scale = 1:33.3



	10-3-12	11-4-8	19-4-8
	10-3-12	1-0-12	8-0-0
Plate Offsets (X,Y)--	[6:0-1-8,Edge], [19:0-3-0,Edge], [21:0-1-8,Edge]		

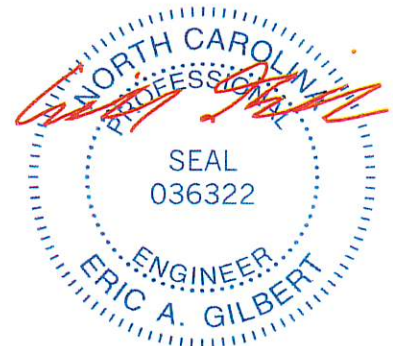
LOADING (psf)	SPACING-	2-0-0	CSI.	DEFL.	in (loc)	l/defl	L/d	PLATES	GRIP	
TCLL 40.0	Plate Grip DOL	1.00	TC 0.39	Vert(LL)	-0.28	19	>826	480	MT20	244/190
TCDL 10.0	Lumber DOL	1.00	BC 0.32	Vert(CT)	-0.38	19	>602	360		
BCLL 0.0	Rep Stress Incr	YES	WB 0.61	Horz(CT)	0.05	14	n/a	n/a		
BCDL 5.0	Code IRC2015/TPI2014		Matrix-S							
									Weight: 120 lb	FT = 20%F, 11%E

LUMBER-	BRACING-
TOP CHORD 2x4 SP 2400F 2.0E(flat)	TOP CHORD Structural wood sheathing directly applied or 6-0-0 oc purlins, except end verticals.
BOT CHORD 2x4 SP 2400F 2.0E(flat)	BOT CHORD Rigid ceiling directly applied or 10-0-0 oc bracing.
WEBS 2x4 SP No.3(flat)	

REACTIONS. (size) 24=Mechanical, 14=0-3-8
Max Grav 24=1046(LC 1), 14=1046(LC 1)

FORCES. (lb) - Max. Comp./Max. Ten. - All forces 250 (lb) or less except when shown.
TOP CHORD 2-3=-2347/0, 3-4=-4043/0, 4-5=-4040/0, 5-6=-4852/0, 6-7=-5063/0, 7-8=-5063/0, 8-9=-4353/0, 9-11=-4353/0, 11-12=-2866/0
BOT CHORD 22-24=0/1335, 21-22=0/3312, 20-21=0/4601, 19-20=0/5063, 18-19=0/5063, 17-18=0/4812, 16-17=0/3736, 14-16=0/1964
WEBS 2-24=-1673/0, 2-22=0/1285, 3-22=-1226/0, 3-21=0/897, 5-21=-713/0, 5-20=0/445, 6-20=-593/162, 6-19=-277/217, 12-14=-2182/0, 12-16=0/1147, 11-16=-1105/0, 11-17=0/769, 8-17=-605/0, 8-18=-83/605

- NOTES-**
- 1) Unbalanced floor live loads have been considered for this design.
 - 2) Plates checked for a plus or minus 1 degree rotation about its center.
 - 3) Refer to girder(s) for truss to truss connections.
 - 4) Recommend 2x6 strongbacks, on edge, spaced at 10-0-0 oc and fastened to each truss with 3-10d (0.131" X 3") nails. Strongbacks to be attached to walls at their outer ends or restrained by other means.



June 8, 2020

WARNING - Verify design parameters and READ NOTES ON THIS AND INCLUDED MITEK REFERENCE PAGE MII-7473 rev. 10/03/2015 BEFORE USE.
 Design valid for use only with MiTek® connectors. This design is based only upon parameters shown, and is for an individual building component, not a truss system. Before use, the building designer must verify the applicability of design parameters and properly incorporate this design into the overall building design. Bracing indicated is to prevent buckling of individual truss web and/or chord members only. Additional temporary and permanent bracing is always required for stability and to prevent collapse with possible personal injury and property damage. For general guidance regarding the fabrication, storage, delivery, erection and bracing of trusses and truss systems, see **ANSI/TPH Quality Criteria, DSB-89 and BCSI Building Component Safety Information** available from Truss Plate Institute, 218 N. Lee Street, Suite 312, Alexandria, VA 22314.

ENGINEERING BY
TRENCO
 A MiTek Affiliate
 818 Soundside Road
 Edenton, NC 27932

Job	Truss	Truss Type	Qty	Ply	Job Reference (optional)
J0620-2873	F4	FLOOR	3	1	E14484728

Comtech, Inc, Fayetteville, NC - 28314,

8.330 s May 6 2020 MITEK Industries, Inc. Mon Jun 8 10:33:28 2020 Page 1
ID:BoL7hgXgIYpqwdOiyUmcQyz41fz-FP8vliiXgDHuXlpo5B7U423_I5T5n_xpBPpNZ8N6r

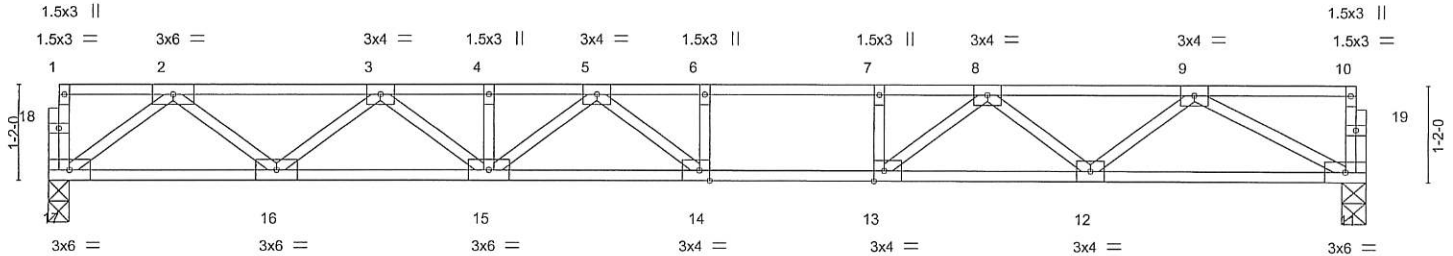
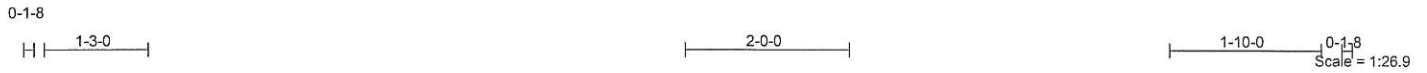


Plate Offsets (X,Y)--	[13:0-1-8,Edge], [14:0-1-8,Edge]
-----------------------	----------------------------------

LOADING (psf)	SPACING-	CSI.	DEFL.	PLATES	GRIP
TCLL 40.0	2-0-0	TC 0.74	in (loc) l/defl L/d	MT20	244/190
TCDL 10.0	Plate Grip DOL 1.00	BC 0.90	Vert(LL) -0.24 14-15 >785 480		
BCLL 0.0	Lumber DOL 1.00	WB 0.44	Vert(CT) -0.33 14-15 >570 360		
BCDL 5.0	Rep Stress Incr YES	Matrix-S	Horz(CT) 0.05 11 n/a n/a		
	Code IRC2015/TPI2014			Weight: 80 lb	FT = 20%F, 11%E

LUMBER-	BRACING-
TOP CHORD 2x4 SP No.1 (flat)	TOP CHORD Structural wood sheathing directly applied or 6-0-0 oc purlins, except end verticals.
BOT CHORD 2x4 SP No.1 (flat)	BOT CHORD Rigid ceiling directly applied or 10-0-0 oc bracing.
WEBS 2x4 SP No.3 (flat)	

REACTIONS. (size) 17=0-3-0, 11=0-3-8
Max Grav 17=858(LC 1), 11=858(LC 1)

FORCES. (lb) - Max. Comp./Max. Ten. - All forces 250 (lb) or less except when shown.
TOP CHORD 2-3=-1774/0, 3-4=-2887/0, 4-5=-2887/0, 5-6=-3157/0, 6-7=-3157/0, 7-8=-3157/0, 8-9=-2067/0
BOT CHORD 16-17=0/1070, 15-16=0/2453, 14-15=0/3153, 13-14=0/3157, 12-13=0/2674, 11-12=0/1453
WEBS 2-17=-1340/0, 2-16=0/916, 3-16=-884/0, 3-15=0/554, 5-15=-340/0, 5-14=-241/390, 9-11=-1641/0, 9-12=0/799, 8-12=-790/0, 8-13=0/814, 7-13=-365/0

- NOTES-
- 1) Unbalanced floor live loads have been considered for this design.
 - 2) Plates checked for a plus or minus 1 degree rotation about its center.
 - 3) Recommend 2x6 strongbacks, on edge, spaced at 10-0-0 oc and fastened to each truss with 3-10d (0.131" X 3") nails. Strongbacks to be attached to walls at their outer ends or restrained by other means.



June 8, 2020

WARNING - Verify design parameters and READ NOTES ON THIS AND INCLUDED MITEK REFERENCE PAGE MII-7473 rev. 10/03/2015 BEFORE USE.
Design valid for use only with MITEK® connectors. This design is based only upon parameters shown, and is for an individual building component, not a truss system. Before use, the building designer must verify the applicability of design parameters and properly incorporate this design into the overall building design. Bracing indicated is to prevent buckling of individual truss web and/or chord members only. Additional temporary and permanent bracing is always required for stability and to prevent collapse with possible personal injury and property damage. For general guidance regarding the fabrication, storage, delivery, erection and bracing of trusses and truss systems, see ANSI/TPI1 Quality Criteria, DSB-89 and BCSI Building Component Safety Information available from Truss Plate Institute, 218 N. Lee Street, Suite 312, Alexandria, VA 22314.



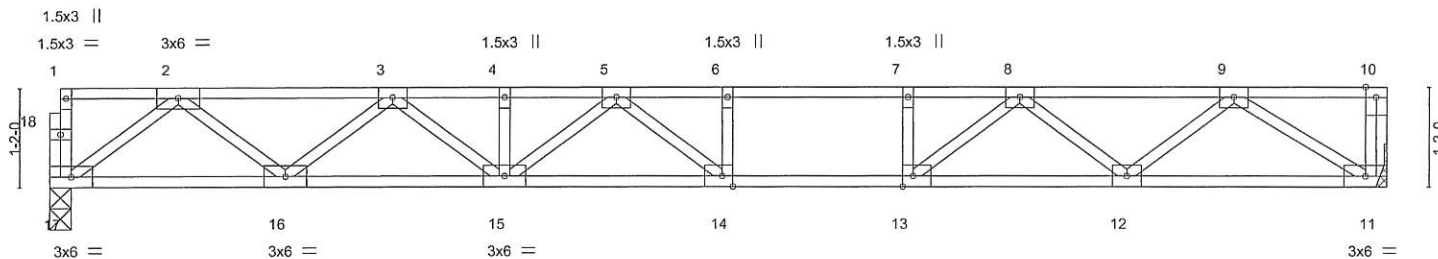
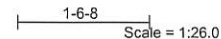
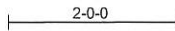
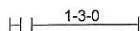
818 Soundside Road
Edenton, NC 27932

Job	Truss	Truss Type	Qty	Ply		E14484729
J0620-2873	F5	FLOOR	6	1	Job Reference (optional)	

Comtech, Inc, Fayetteville, NC - 28314,

8.330 s May 6 2020 MITek Industries, Inc. Mon Jun 8 10:33:29 2020 Page 1
ID:BoL?hgXglYppwdOiyUmcQyz41fz-jbhHyej9L_L8WwXNVcQfhdDVN4BCYD8ATwyApz8N6q

0-1-8



	9-1-12	10-3-8	15-8-0
	9-1-12	1-1-12	5-4-8

Plate Offsets (X,Y)-- [13:0-1-8,Edge], [14:0-1-8,Edge]

LOADING (psf)	SPACING-	CSI.	DEFL.	PLATES	GRIP
TCLL 40.0	2-0-0	TC 0.76	in (loc) l/defl L/d	MT20	244/190
TCDL 10.0	Plate Grip DOL 1.00	BC 0.90	Vert(LL) -0.24 14-15 >776 480		
BCLL 0.0	Lumber DOL 1.00	WB 0.42	Vert(CT) -0.33 14-15 >566 360		
BCDL 5.0	Rep Stress Incr YES	Matrix-S	Horz(CT) 0.05 11 n/a n/a		
	Code IRC2015/TPI2014			Weight: 79 lb	FT = 20%F, 11%E

LUMBER-	BRACING-
TOP CHORD 2x4 SP No.1(flat)	TOP CHORD Structural wood sheathing directly applied or 6-0-0 oc purlins, except end verticals.
BOT CHORD 2x4 SP No.1(flat)	BOT CHORD Rigid ceiling directly applied or 10-0-0 oc bracing.
WEBS 2x4 SP No.3(flat)	

REACTIONS. (size) 17=0-3-0, 11=Mechanical
Max Grav 17=842(LC 1), 11=848(LC 1)

FORCES. (lb) - Max. Comp./Max. Ten. - All forces 250 (lb) or less except when shown.
TOP CHORD 2-3=-1733/0, 3-4=-2808/0, 4-5=-2808/0, 5-6=-3022/0, 6-7=-3022/0, 7-8=-3022/0, 8-9=-1871/0
BOT CHORD 16-17=0/1049, 15-16=0/2394, 14-15=0/3053, 13-14=0/3022, 12-13=0/2502, 11-12=0/1241
WEBS 2-17=-1313/0, 2-16=0/891, 3-16=-861/0, 3-15=0/528, 5-15=-314/0, 5-14=-267/352, 9-11=-1463/0, 9-12=0/821, 8-12=-822/0, 8-13=0/841, 7-13=-375/0

- NOTES-**
- 1) Unbalanced floor live loads have been considered for this design.
 - 2) All plates are 3x4 MT20 unless otherwise indicated.
 - 3) Plates checked for a plus or minus 1 degree rotation about its center.
 - 4) Refer to girder(s) for truss to truss connections.
 - 5) Recommend 2x6 strongbacks, on edge, spaced at 10-0-0 oc and fastened to each truss with 3-10d (0.131" X 3") nails. Strongbacks to be attached to walls at their outer ends or restrained by other means.
 - 6) CAUTION, Do not erect truss backwards.



June 8,2020

WARNING - Verify design parameters and READ NOTES ON THIS AND INCLUDED MITEK REFERENCE PAGE MI-7473 rev. 10/03/2015 BEFORE USE.
Design valid for use only with MITek® connectors. This design is based only upon parameters shown, and is for an individual building component, not a truss system. Before use, the building designer must verify the applicability of design parameters and properly incorporate this design into the overall building design. Bracing indicated is to prevent buckling of individual truss web and/or chord members only. Additional temporary and permanent bracing is always required for stability and to prevent collapse with possible personal injury and property damage. For general guidance regarding the fabrication, storage, delivery, erection and bracing of trusses and truss systems, see **ANSI/TPI1 Quality Criteria, DSB-89 and BCSI Building Component Safety Information** available from Truss Plate Institute, 218 N. Lee Street, Suite 312, Alexandria, VA 22314.

ENGINEERING BY
TRENCO
A MITek Affiliate
818 Soundside Road
Edenton, NC 27932

Job	Truss	Truss Type	Qty	Ply	Job Reference (optional)	E14484730
J0620-2873	F6	FLOOR	1	1		

Comech, Inc, Fayetteville, NC - 28314,

8.330 s May 6 2020 MiTek Industries, Inc. Mon Jun 8 10:33:30 2020 Page 1
ID:BoL?hgXglYpQwdOlyUmcQyz41fz-BoFfA_ko3HT?8r58wD7fCvANANQ_x?GHO7gWfZ8N6p

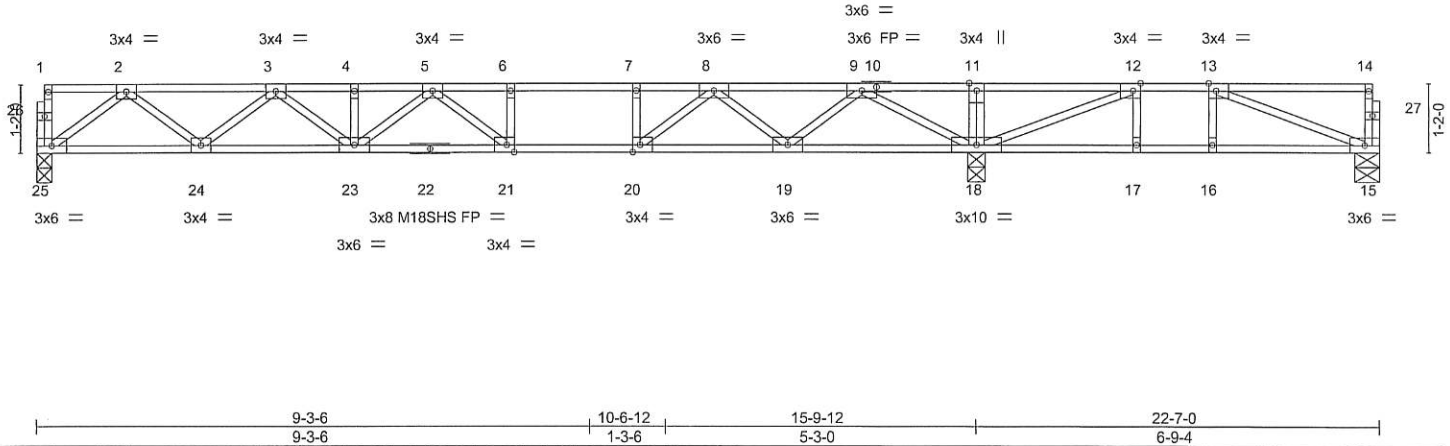


Plate Offsets (X,Y)-- [12:0-1-8,Edge], [13:0-1-8,Edge], [20:0-1-8,Edge], [21:0-1-8,Edge]

LOADING (psf)	SPACING-	2-0-0	CSI.	DEFL.	in (loc)	l/defl	L/d	PLATES	GRIP
TCLL 40.0	Plate Grip DOL	1.00	TC 0.83	Vert(LL)	-0.24 21-23	>783	480	MT20	244/190
TCDL 10.0	Lumber DOL	1.00	BC 0.93	Vert(CT)	-0.33 21-23	>568	360	M18SHS	244/190
BCLL 0.0	Rep Stress Incr	YES	WB 0.44	Horz(CT)	0.04 15	n/a	n/a		
BCDL 5.0	Code IRC2015/TPI2014		Matrix-S						
								Weight: 113 lb	FT = 20%F, 11%E

LUMBER-

TOP CHORD 2x4 SP No.1(flat)
BOT CHORD 2x4 SP No.1(flat)
WEBS 2x4 SP No.3(flat)

BRACING-

TOP CHORD Structural wood sheathing directly applied or 5-8-12 oc purlins, except end verticals.
BOT CHORD Rigid ceiling directly applied or 2-2-0 oc bracing.

REACTIONS.

(size) 25=0-3-0, 18=0-3-8, 15=0-5-0
Max Uplift 15=-52(LC 3)
Max Grav 25=802(LC 10), 18=1452(LC 1), 15=308(LC 4)

FORCES.

(lb) - Max. Comp./Max. Ten. - All forces 250 (lb) or less except when shown.
TOP CHORD 2-3=-1634/0, 3-4=-2617/0, 4-5=-2617/0, 5-6=-2689/0, 6-7=-2689/0, 7-8=-2689/0,
8-9=-1399/0, 9-11=0/1071, 11-12=0/1075, 12-13=-444/311
BOT CHORD 24-25=0/996, 23-24=0/2251, 21-23=0/2810, 20-21=0/2689, 19-20=0/2082, 18-19=0/726,
17-18=-311/444, 16-17=-311/444, 15-16=-311/444
WEBS 2-25=-1248/0, 2-24=0/830, 3-24=-803/0, 3-23=0/467, 5-21=-347/212, 9-18=-1758/0,
9-19=0/906, 8-19=-935/0, 8-20=0/916, 7-20=-404/0, 12-18=-1130/0, 13-15=-468/336

NOTES-

- 1) Unbalanced floor live loads have been considered for this design.
- 2) All plates are MT20 plates unless otherwise indicated.
- 3) All plates are 1.5x3 MT20 unless otherwise indicated.
- 4) Plates checked for a plus or minus 1 degree rotation about its center.
- 5) Provide mechanical connection (by others) of truss to bearing plate capable of withstanding 100 lb uplift at joint(s) 15.
- 6) Recommend 2x6 strongbacks, on edge, spaced at 10-0-0 oc and fastened to each truss with 3-10d (0.131" X 3") nails. Strongbacks to be attached to walls at their outer ends or restrained by other means.
- 7) CAUTION, Do not erect truss backwards.



June 8, 2020

WARNING - Verify design parameters and READ NOTES ON THIS AND INCLUDED MITEK REFERENCE PAGE MII-7473 rev. 10/03/2015 BEFORE USE.

Design valid for use only with MiTek® connectors. This design is based only upon parameters shown, and is for an individual building component, not a truss system. Before use, the building designer must verify the applicability of design parameters and properly incorporate this design into the overall building design. Bracing indicated is to prevent buckling of individual truss web and/or chord members only. Additional temporary and permanent bracing is always required for stability and to prevent collapse with possible personal injury and property damage. For general guidance regarding the fabrication, storage, delivery, erection and bracing of trusses and truss systems, see **ANSI/TPI1 Quality Criteria, DSB-89 and BCSI Building Component Safety Information** available from Truss Plate Institute, 218 N. Lee Street, Suite 312, Alexandria, VA 22314.

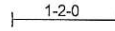
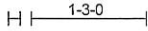
ENGINEERING BY
TRENCO
A MiTek Affiliate
818 Soundside Road
Edenton, NC 27932

Job	Truss	Truss Type	Qty	Ply	Job Reference (optional)	E14484731
J0620-2873	F7	FLOOR	3	1		

Comtech, Inc, Fayetteville, NC - 28314,

8.330 s May 6 2020 MiTek Industries, Inc. Mon Jun 8 10:33:31 2020 Page 1
ID:BoL?hgXgIYpqwdOiyUmcQyz41fz-f_p1NJIQpbbrl?gKUweul6igDBqcgTNRdnP3Fiz8N6o

0-1-8



0-1-8
Scale = 1:24.3

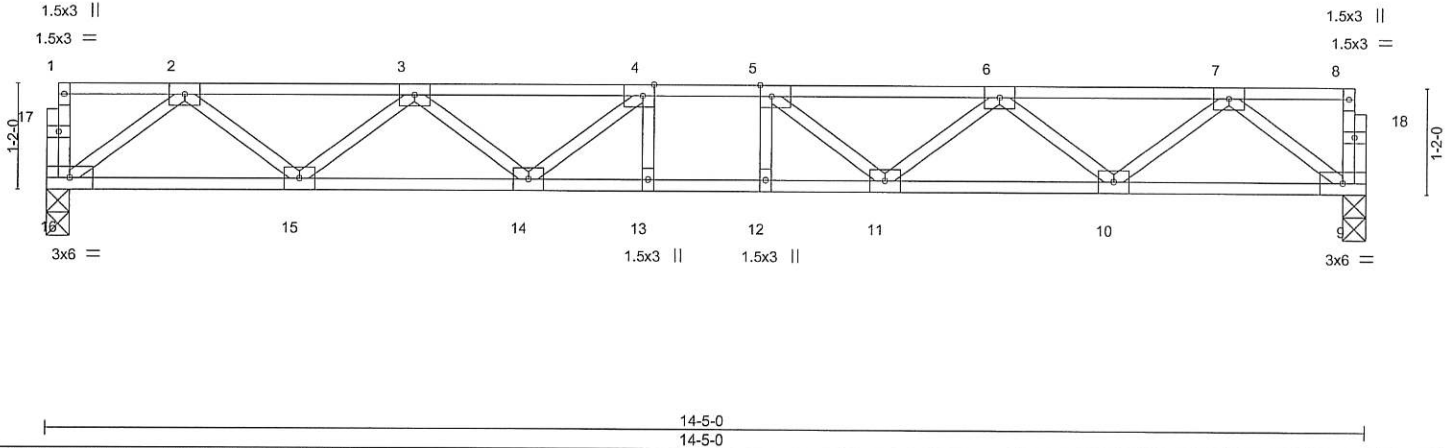


Plate Offsets (X,Y)--	[4:0-1-8,Edge], [5:0-1-8,Edge]								
LOADING (psf)	SPACING-	2-0-0	CSI.	DEFL.	in (loc)	l/defl	L/d	PLATES	GRIP
TCLL 40.0	Plate Grip DOL 1.00		TC 0.30	Vert(LL) -0.12	12-13	>999	480	MT20	244/190
TCDL 10.0	Lumber DOL 1.00		BC 0.59	Vert(CT) -0.17	12-13	>999	360		
BCLL 0.0	Rep Stress Incr YES		WB 0.38	Horz(CT) 0.04	9	n/a	n/a		
BCDL 5.0	Code IRC2015/TPI2014		Matrix-S						
								Weight: 73 lb	FT = 20%F, 11%E

LUMBER-			BRACING-	
TOP CHORD 2x4 SP No.1(flat)			TOP CHORD	Structural wood sheathing directly applied or 6-0-0 oc purlins, except end verticals.
BOT CHORD 2x4 SP No.1(flat)			BOT CHORD	Rigid ceiling directly applied or 10-0-0 oc bracing.
WEBS 2x4 SP No.3(flat)				

REACTIONS. (size) 16=0-3-0, 9=0-3-0
Max Grav 16=773(LC 1), 9=773(LC 1)

FORCES. (lb) - Max. Comp./Max. Ten. - All forces 250 (lb) or less except when shown.
TOP CHORD 2-3=-1570/0, 3-4=-2405/0, 4-5=-2647/0, 5-6=-2405/0, 6-7=-1570/0
BOT CHORD 15-16=0/955, 14-15=0/2151, 13-14=0/2647, 12-13=0/2647, 11-12=0/2647, 10-11=0/2151, 9-10=0/955
WEBS 7-9=-1195/0, 7-10=0/801, 6-10=-756/0, 6-11=0/386, 5-11=-454/0, 2-16=-1195/0, 2-15=0/801, 3-15=-756/0, 3-14=0/386, 4-14=-454/0

- NOTES-**
- 1) Unbalanced floor live loads have been considered for this design.
 - 2) All plates are 3x4 MT20 unless otherwise indicated.
 - 3) Plates checked for a plus or minus 1 degree rotation about its center.
 - 4) Recommend 2x6 strongbacks, on edge, spaced at 10-0-0 oc and fastened to each truss with 3-10d (0.131" X 3") nails. Strongbacks to be attached to walls at their outer ends or restrained by other means.



June 8, 2020

WARNING - Verify design parameters and READ NOTES ON THIS AND INCLUDED MITEK REFERENCE PAGE MI-7473 rev. 10/03/2015 BEFORE USE.

Design valid for use only with MiTek® connectors. This design is based only upon parameters shown, and is for an individual building component, not a truss system. Before use, the building designer must verify the applicability of design parameters and properly incorporate this design into the overall building design. Bracing indicated is to prevent buckling of individual truss web and/or chord members only. Additional temporary and permanent bracing is always required for stability and to prevent collapse with possible personal injury and property damage. For general guidance regarding the fabrication, storage, delivery, erection and bracing of trusses and truss systems, see *ANSI/TPI1 Quality Criteria, DSB-89 and BCSI Building Component Safety Information* available from Truss Plate Institute, 218 N. Lee Street, Suite 312, Alexandria, VA 22314.

ENGINEERING BY
TRENCO
A MiTek Affiliate

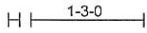
818 Soundside Road
Edenton, NC 27932

Job J0620-2873	Truss F8	Truss Type FLOOR GIRDER	Qty 1	Ply 2	Job Reference (optional) E14484732
-------------------	-------------	----------------------------	----------	----------	---------------------------------------

Comtech, Inc, Fayetteville, NC - 28314,

8.330 s May 6 2020 MiTek Industries, Inc. Mon Jun 8 10:33:32 2020 Page 1
ID:BoL?hgXgIYpqwdOiyUmcQyz41fz-7ANPbf12avjiN8FW2e97HKFr?bCVPpuasR9cn8z8N6n

0-1-8



0-1-8

Scale = 1:24.7

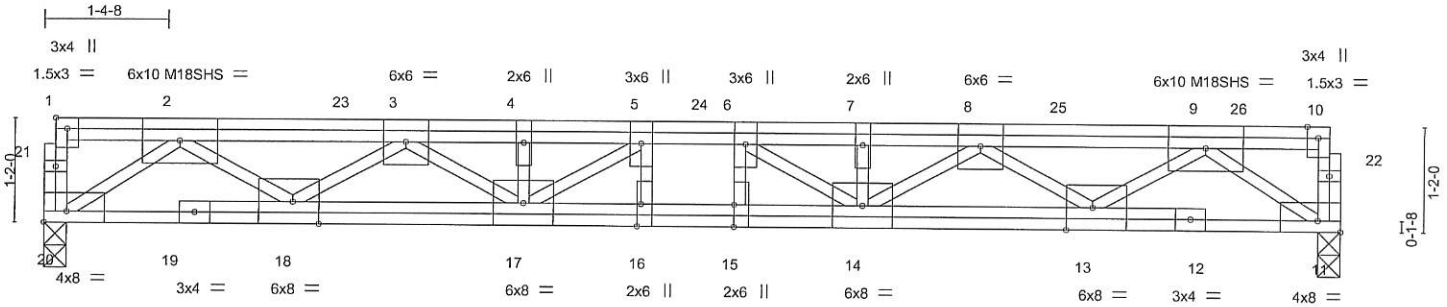


Plate Offsets (X,Y)--	[1:Edge,0-1-8], [11:Edge,0-1-8], [13:0-3-8,Edge], [15:0-3-0,0-0-0], [16:0-3-0,Edge], [18:0-3-8,Edge], [20:Edge,0-1-8]
-----------------------	---

LOADING (psf)	SPACING-	2-0-0	CSI.	DEFL.	in (loc)	l/defl	L/d	PLATES	GRIP
TCLL 40.0	Plate Grip DOL	1.00	TC 0.30	Vert(LL)	-0.19 15	>903	480	MT20	244/190
TCDL 10.0	Lumber DOL	1.00	BC 0.48	Vert(CT)	-0.26 15-16	>651	360	M18SHS	244/190
BCLL 0.0	Rep Stress Incr	NO	WB 0.81	Horz(CT)	0.06 11	n/a	n/a		
BCDL 5.0	Code IRC2015/TPI2014		Matrix-S						
								Weight: 221 lb	FT = 20%F, 11%E

LUMBER-

TOP CHORD 2x4 SP 2400F 2.0E(flat)
 BOT CHORD 2x4 SP 2400F 2.0E(flat)
 WEBS 2x4 SP No.3(flat) *Except*
 2-18,9-13: 2x4 SP No.2(flat)

BRACING-

TOP CHORD Structural wood sheathing directly applied or 6-0-0 oc purlins, except end verticals.
 BOT CHORD Rigid ceiling directly applied or 10-0-0 oc bracing.

REACTIONS.

(size) 20=0-3-0, 11=0-3-0
 Max Grav 20=4019(LC 1), 11=4153(LC 1)

FORCES.

(lb) - Max. Comp./Max. Ten. - All forces 250 (lb) or less except when shown.
 TOP CHORD 10-11=-255/0, 2-3=-9312/0, 3-4=-14910/0, 4-5=-14910/0, 5-6=-15908/0, 6-7=-14837/0,
 7-8=-14837/0, 8-9=-9126/0
 BOT CHORD 18-20=0/5647, 17-18=0/12930, 16-17=0/15908, 15-16=0/15908, 14-15=0/15908,
 13-14=0/12661, 11-13=0/5549
 WEBS 2-20=-6930/0, 2-18=0/4544, 3-18=-4487/0, 3-17=0/2416, 4-17=-649/0, 5-17=-1297/0,
 9-11=-6793/0, 9-13=0/4437, 8-13=-4384/0, 8-14=0/2654, 7-14=-690/0, 6-14=-1406/0

NOTES-

- 1) Fasten trusses together to act as a single unit as per standard industry detail, or loads are to be evenly applied to all plies.
- 2) Unbalanced floor live loads have been considered for this design.
- 3) All plates are MT20 plates unless otherwise indicated.
- 4) Plates checked for a plus or minus 1 degree rotation about its center.
- 5) Recommend 2x6 strongbacks, on edge, spaced at 10-0-0 oc and fastened to each truss with 3-10d (0.131" X 3") nails.
Strongbacks to be attached to walls at their outer ends or restrained by other means.
- 6) Hanger(s) or other connection device(s) shall be provided sufficient to support concentrated load(s) 1026 lb down at 1-4-8, 1026 lb down at 3-4-8, 1026 lb down at 5-4-8, 971 lb down at 7-4-8, 1026 lb down at 9-4-8, and 1026 lb down at 11-4-8, and 1027 lb down at 13-4-8 on top chord. The design/selection of such connection device(s) is the responsibility of others.
- 7) In the LOAD CASE(S) section, loads applied to the face of the truss are noted as front (F) or back (B).

LOAD CASE(S) Standard

- 1) Dead + Floor Live (balanced): Lumber Increase=1.00, Plate Increase=1.00
 Uniform Loads (plf)
 Vert: 11-20=-10, 1-10=-100
 Concentrated Loads (lb)
 Vert: 2=-946(F) 4=-946(F) 7=-946(F) 23=-946(F) 24=-946(F) 25=-946(F) 26=-953(F)



June 8, 2020

WARNING - Verify design parameters and READ NOTES ON THIS AND INCLUDED MITEK REFERENCE PAGE MI-7473 rev. 10/03/2015 BEFORE USE.

Design valid for use only with MiTek® connectors. This design is based only upon parameters shown, and is for an individual building component, not a truss system. Before use, the building designer must verify the applicability of design parameters and properly incorporate this design into the overall building design. Bracing indicated is to prevent buckling of individual truss web and/or chord members only. Additional temporary and permanent bracing is always required for stability and to prevent collapse with possible personal injury and property damage. For general guidance regarding the fabrication, storage, delivery, erection and bracing of trusses and truss systems, see ANSI/TPI1 Quality Criteria, DSB-89 and BCSI Building Component Safety Information available from Truss Plate Institute, 218 N. Lee Street, Suite 312, Alexandria, VA 22314.

ENGINEERING BY
TRENCO
 A MiTek Affiliate

818 Soundside Road
 Edenton, NC 27932

Job	Truss	Truss Type	Qty	Ply	E14484733
J0620-2873	F9	FLOOR	3	1	Job Reference (optional)

Comtech, Inc, Fayetteville, NC - 28314,

8.330 s May 6 2020 MiTek Industries, Inc. Mon Jun 8 10:33:33 2020 Page 1
ID:BoL?hgXgIYpqwdOiyUmcQyz41fz-bNxoo?mgLCrZ?IqicLgMqXo?_?c88QBj44uAJaz8N6m

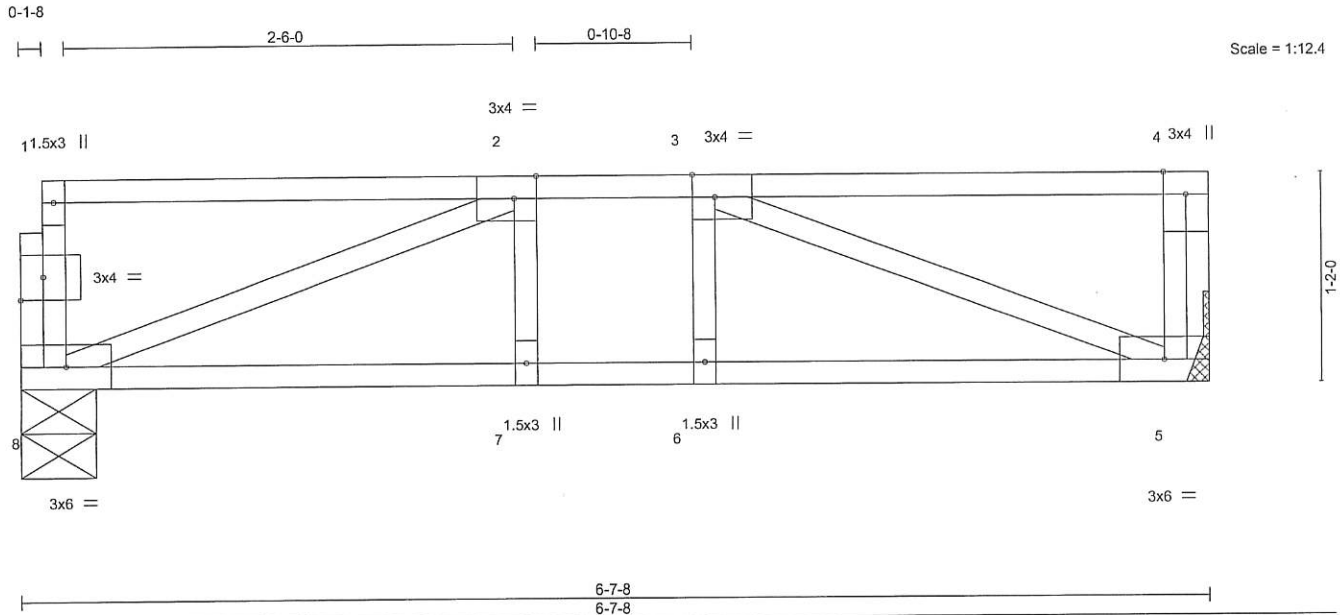


Plate Offsets (X,Y)-- [2:0-1-8,Edge], [3:0-1-8,Edge], [9:0-1-8,0-1-8]

LOADING (psf)	SPACING-	2-0-0	CSI.	DEFL.	in	(loc)	l/defl	L/d	PLATES	GRIP
TCLL 40.0	Plate Grip DOL	1.00	TC 0.35	Vert(LL)	-0.03	5-6	>999	480	MT20	244/190
TCDL 10.0	Lumber DOL	1.00	BC 0.20	Vert(CT)	-0.03	5-6	>999	360		
BCLL 0.0	Rep Stress Incr	YES	WB 0.17	Horz(CT)	0.01	5	n/a	n/a		
BCDL 5.0	Code	IRC2015/TPI2014	Matrix-S						Weight: 35 lb	FT = 20%F, 11%E

LUMBER-

TOP CHORD 2x4 SP No.1(flat)
BOT CHORD 2x4 SP No.1(flat)
WEBS 2x4 SP No.3(flat)

BRACING-

TOP CHORD Structural wood sheathing directly applied or 6-0-0 oc purlins, except end verticals.
BOT CHORD Rigid ceiling directly applied or 10-0-0 oc bracing.

REACTIONS.

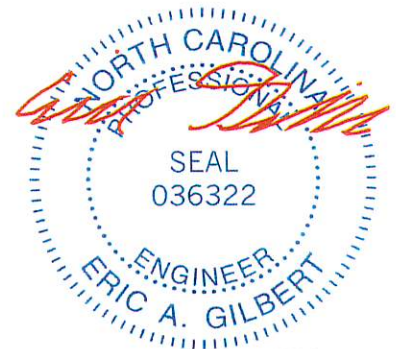
(size) 8=0-5-0, 5=Mechanical
Max Grav 8=344(LC 1), 5=351(LC 1)

FORCES. (lb) - Max. Comp./Max. Ten. - All forces 250 (lb) or less except when shown.

TOP CHORD 2-3=-578/0
BOT CHORD 7-8=0/578, 6-7=0/578, 5-6=0/578
WEBS 2-8=-613/0, 3-5=-620/0

NOTES-

- 1) Unbalanced floor live loads have been considered for this design.
- 2) Plates checked for a plus or minus 1 degree rotation about its center.
- 3) Refer to girder(s) for truss to truss connections.
- 4) Recommend 2x6 strongbacks, on edge, spaced at 10-0-0 oc and fastened to each truss with 3-10d (0.131" X 3") nails. Strongbacks to be attached to walls at their outer ends or restrained by other means.
- 5) CAUTION, Do not erect truss backwards.



June 8, 2020

WARNING - Verify design parameters and READ NOTES ON THIS AND INCLUDED MITEK REFERENCE PAGE MI-7473 rev. 10/03/2015 BEFORE USE.

Design valid for use only with MiTek® connectors. This design is based only upon parameters shown, and is for an individual building component, not a truss system. Before use, the building designer must verify the applicability of design parameters and properly incorporate this design into the overall building design. Bracing indicated is to prevent buckling of individual truss web and/or chord members only. Additional temporary and permanent bracing is always required for stability and to prevent collapse with possible personal injury and property damage. For general guidance regarding the fabrication, storage, delivery, erection and bracing of trusses and truss systems, see ANSITPI1 Quality Criteria, DSB-89 and BCSI Building Component Safety Information available from Truss Plate Institute, 218 N. Lee Street, Suite 312, Alexandria, VA 22314.



818 Soundside Road
Edenton, NC 27932

Job J0620-2873	Truss F10	Truss Type FLOOR GIRDER	Qty 1	Ply 1	Job Reference (optional)	E14484734
-------------------	--------------	----------------------------	----------	----------	--------------------------	-----------

Comtech, Inc, Fayetteville, NC - 28314,

8.330 s May 6 2020 MiTek Industries, Inc. Mon Jun 8 10:33:25 2020 Page 1
ID:BoL?hgXgIYpqwdOiyUmcQyz41fz-qqSm7GgEIri14DA8gXUVrSfxmt?GoNYFry12z8N6u

0-1-8



Scale = 1:12.4

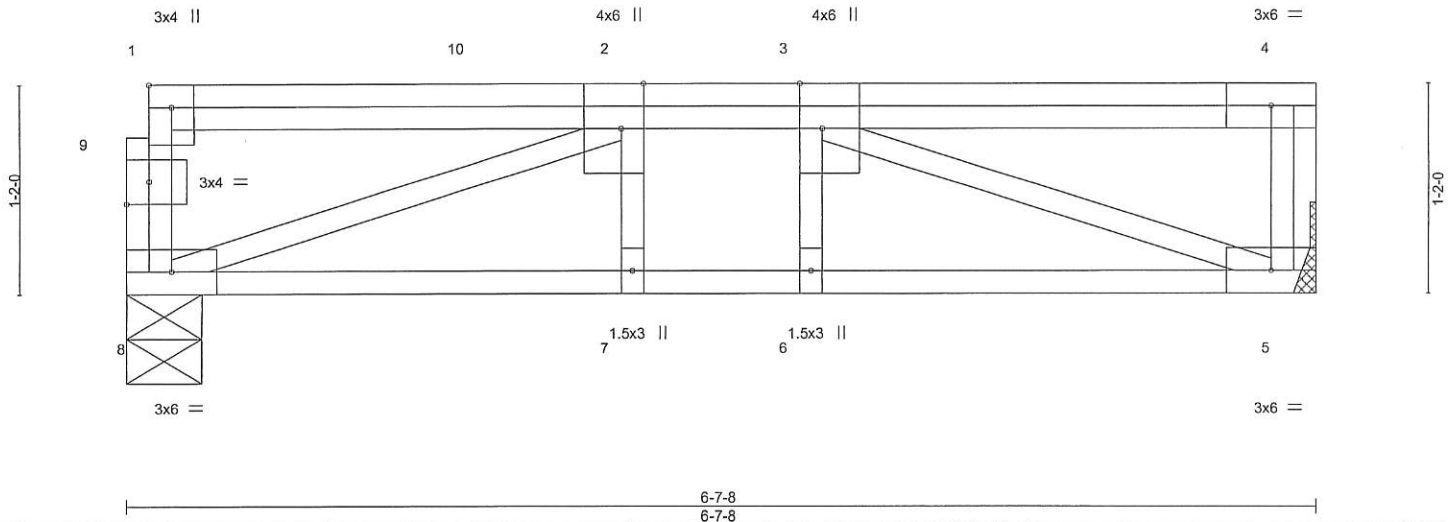


Plate Offsets (X,Y)-- [1:Edge,0-1-8], [2:0-3-0,Edge], [3:0-3-0,Edge], [9:0-1-8,0-1-8]

LOADING (psf)	SPACING-	2-0-0	CSI.	DEFL.	in	(loc)	l/defl	L/d	PLATES	GRIP
TCLL 40.0	Plate Grip DOL	1.00	TC 0.22	Vert(LL)	-0.02	7-8	>999	480	MT20	244/190
TCDL 10.0	Lumber DOL	1.00	BC 0.22	Vert(CT)	-0.03	7-8	>999	360		
BCLL 0.0	Rep Stress Incr	NO	WB 0.22	Horz(CT)	0.01	5	n/a	n/a		
BCDL 5.0	Code	IRC2015/TPI2014	Matrix-S						Weight: 44 lb	FT = 20%F, 11%E

LUMBER-
TOP CHORD 2x4 SP No.1(flat)
BOT CHORD 2x4 SP No.1(flat)
WEBS 2x4 SP No.3(flat)

BRACING-
TOP CHORD Structural wood sheathing directly applied or 6-0-0 oc purlins, except end verticals.
BOT CHORD Rigid ceiling directly applied or 10-0-0 oc bracing.

REACTIONS. (size) 8=0-5-0, 5=Mechanical
Max Grav 8=440(LC 1), 5=403(LC 1)

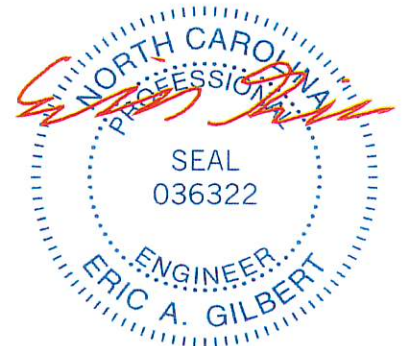
FORCES. (lb) - Max. Comp./Max. Ten. - All forces 250 (lb) or less except when shown.
TOP CHORD 2-3=-773/0
BOT CHORD 7-8=0/773, 6-7=0/773, 5-6=0/773
WEBS 2-8=-813/0, 3-5=-822/0

NOTES-

- Unbalanced floor live loads have been considered for this design.
- Plates checked for a plus or minus 1 degree rotation about its center.
- Refer to girder(s) for truss to truss connections.
- Recommend 2x6 strongbacks, on edge, spaced at 10-0-0 oc and fastened to each truss with 3-10d (0.131" X 3") nails. Strongbacks to be attached to walls at their outer ends or restrained by other means.
- CAUTION, Do not erect truss backwards.
- Hanger(s) or other connection device(s) shall be provided sufficient to support concentrated load(s) 149 lb down at 1-11-8, and 101 lb down at 3-1-4 on top chord. The design/selection of such connection device(s) is the responsibility of others.
- In the LOAD CASE(S) section, loads applied to the face of the truss are noted as front (F) or back (B).

LOAD CASE(S) Standard

- Dead + Floor Live (balanced): Lumber Increase=1.00, Plate Increase=1.00
Uniform Loads (plf)
Vert: 5-8=-10, 1-4=-100
Concentrated Loads (lb)
Vert: 2=-73(B) 10=-75(B)



June 8, 2020

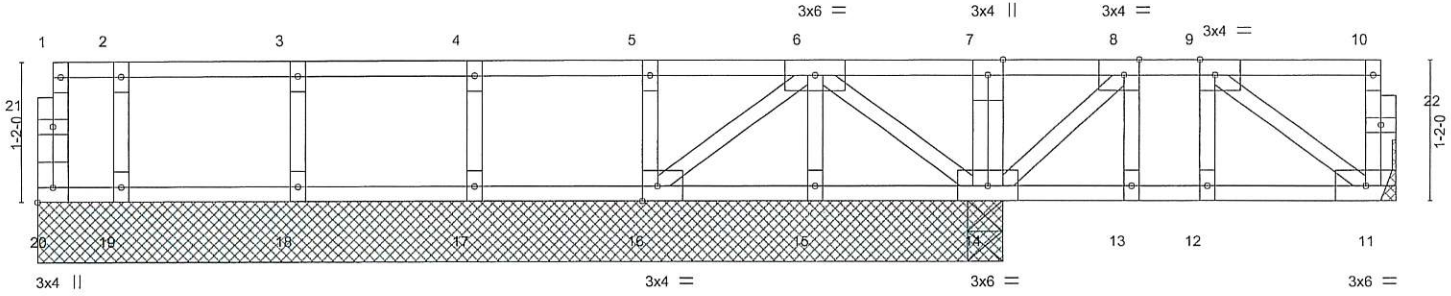
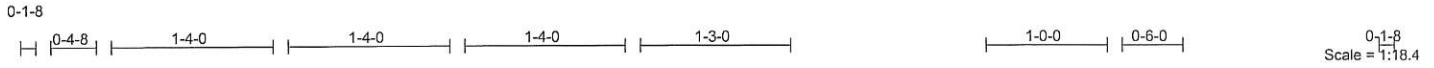
WARNING - Verify design parameters and READ NOTES ON THIS AND INCLUDED MITEK REFERENCE PAGE MI-7473 rev. 10/03/2015 BEFORE USE.
Design valid for use only with MiTek® connectors. This design is based only upon parameters shown, and is for an individual building component, not a truss system. Before use, the building designer must verify the applicability of design parameters and properly incorporate this design into the overall building design. Bracing indicated is to prevent buckling of individual truss web and/or chord members only. Additional temporary and permanent bracing is always required for stability and to prevent collapse with possible personal injury and property damage. For general guidance regarding the fabrication, storage, delivery, erection and bracing of trusses and truss systems, see ANSITPI Quality Criteria, DSB-89 and BCSI Building Component Safety Information available from Truss Plate Institute, 218 N. Lee Street, Suite 312, Alexandria, VA 22314.

ENGINEERING BY
TRENCO
A MiTek Affiliate
818 Soundside Road
Edenton, NC 27932

Job	Truss	Truss Type	Qty	Ply		E14484735
J0620-2873	F11	FLOOR	1	1	Job Reference (optional)	

Comtech, Inc, Fayetteville, NC - 28314,

8.330 s May 6 2020 MiTek Industries, Inc. Mon Jun 8 10:33:26 2020 Page 1
ID:BoL?hgXgIYpqqwOiyUmcQyz41fz-J108KchH?3zZfDnMhN2j23?stAGI?HShTViIzUz8N6t



	7-10-8	8-0-0	11-3-0
	7-10-8	0-1-8	3-3-0

Plate Offsets (X,Y)--	[8:0-1-8,Edge], [9:0-1-8,Edge], [16:0-1-8,Edge], [20:Edge,0-1-8]						
LOADING (psf)	SPACING- 2-0-0	CSI.	DEFL.	in (loc)	l/defl	L/d	PLATES GRIP
TCLL 40.0	Plate Grip DOL 1.00	TC 0.08	Vert(LL) -0.00	12	>999	480	MT20 244/190
TCDL 10.0	Lumber DOL 1.00	BC 0.06	Vert(CT) -0.00	12	>999	360	
BCLL 0.0	Rep Stress Incr YES	WB 0.04	Horz(CT) 0.00	11	n/a	n/a	
BCDL 5.0	Code IRC2015/TPI2014	Matrix-S					Weight: 59 lb FT = 20%F, 11%E

LUMBER-		BRACING-	
TOP CHORD 2x4 SP No.1 (flat)		TOP CHORD Structural wood sheathing directly applied or 6-0-0 oc purlins, except end verticals.	
BOT CHORD 2x4 SP No.1 (flat)		BOT CHORD Rigid ceiling directly applied or 6-0-0 oc bracing.	
WEBS 2x4 SP No.3 (flat)			

REACTIONS. All bearings 8-0-0 except (jt=length) 11=Mechanical.
(lb) - Max Uplift All uplift 100 lb or less at joint(s) 20
Max Grav All reactions 250 lb or less at joint(s) 11, 15, 16, 17, 18, 19 except 14=278(LC 15), 14=265(LC 1)

FORCES. (lb) - Max. Comp./Max. Ten. - All forces 250 (lb) or less except when shown.

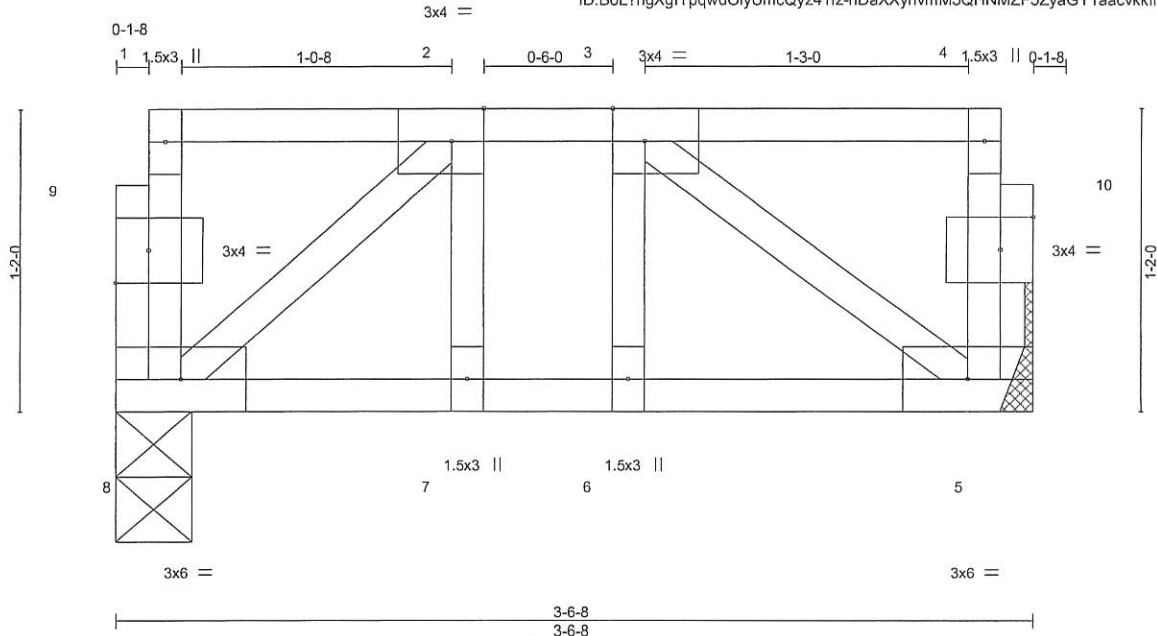
- NOTES-**
- 1) Unbalanced floor live loads have been considered for this design.
 - 2) All plates are 1.5x3 MT20 unless otherwise indicated.
 - 3) Plates checked for a plus or minus 1 degree rotation about its center.
 - 4) Refer to girder(s) for truss to truss connections.
 - 5) Provide mechanical connection (by others) of truss to bearing plate capable of withstanding 100 lb uplift at joint(s) 20.
 - 6) Recommend 2x6 strongbacks, on edge, spaced at 10-0-0 oc and fastened to each truss with 3-10d (0.131" X 3") nails. Strongbacks to be attached to walls at their outer ends or restrained by other means.
 - 7) CAUTION, Do not erect truss backwards.



Job	Truss	Truss Type	Qty	Ply	Job Reference (optional)	E14484736
J0620-2873	F12	FLOOR	1	1		

Comtech, Inc, Fayetteville, NC - 28314,

8.330 s May 6 2020 MiTek Industries, Inc. Mon Jun 8 10:33:27 2020 Page 1
 ID:BoL?hgXglYpqwdOiyUmcQyz41fz-nDaXXyhvmM5QHNMF5ZyaGY1aacvkkfr9Rs6wz8N6s



Scale = 1:8.6

Plate Offsets (X,Y)-- [2:0-1-8,Edge], [3:0-1-8,Edge], [9:0-1-8,0-1-8], [10:0-1-8,0-1-8]

LOADING (psf)	SPACING-	2-0-0	CSI.	DEFL.	in	(loc)	l/defl	L/d	PLATES	GRIP
TCLL 40.0	Plate Grip DOL	1.00	TC 0.09	Vert(LL)	-0.00	6	>999	480	MT20	244/190
TCDL 10.0	Lumber DOL	1.00	BC 0.06	Vert(CT)	-0.00	6	>999	360		
BCLL 0.0	Rep Stress Incr	YES	WB 0.04	Horz(CT)	0.00	5	n/a	n/a		
BCDL 5.0	Code	IRC2015/TPI2014	Matrix-S						Weight: 22 lb	FT = 20%F, 11%E

LUMBER-

TOP CHORD 2x4 SP No.1(flat)
 BOT CHORD 2x4 SP No.1(flat)
 WEBS 2x4 SP No.3(flat)

BRACING-

TOP CHORD Structural wood sheathing directly applied or 3-6-8 oc purlins, except end verticals.
 BOT CHORD Rigid ceiling directly applied or 10-0-0 oc bracing.

REACTIONS.

(size) 8=0-3-8, 5=Mechanical
 Max Grav 8=175(LC 1), 5=175(LC 1)

FORCES. (lb) - Max. Comp./Max. Ten. - All forces 250 (lb) or less except when shown.

NOTES-

- 1) Unbalanced floor live loads have been considered for this design.
- 2) Plates checked for a plus or minus 1 degree rotation about its center.
- 3) Refer to girder(s) for truss to truss connections.
- 4) Recommend 2x6 strongbacks, on edge, spaced at 10-0-0 oc and fastened to each truss with 3-10d (0.131" X 3") nails. Strongbacks to be attached to walls at their outer ends or restrained by other means.



June 8, 2020

WARNING - Verify design parameters and READ NOTES ON THIS AND INCLUDED MITEK REFERENCE PAGE MII-7473 rev. 10/03/2015 BEFORE USE

Design valid for use only with MiTek® connectors. This design is based only upon parameters shown, and is for an individual building component, not a truss system. Before use, the building designer must verify the applicability of design parameters and properly incorporate this design into the overall building design. Bracing indicated is to prevent buckling of individual truss web and/or chord members only. Additional temporary and permanent bracing is always required for stability and to prevent collapse with possible personal injury and property damage. For general guidance regarding the fabrication, storage, delivery, erection and bracing of trusses and truss systems, see ANSI/TPI1 Quality Criteria, DSB-89 and BCSI Building Component Safety Information available from Truss Plate Institute, 218 N. Lee Street, Suite 312, Alexandria, VA 22314.

ENGINEERING BY
TRENCO
 A MiTek Affiliate

818 Soundside Road
 Edenton, NC 27932

Job	Truss	Truss Type	Qty	Ply	E14484737
J0620-2873	KW	FLOOR SUPPORTED GABL	1	1	

Comtech, Inc, Fayetteville, NC - 28314,

8.330 s May 6 2020 MiTek Industries, Inc. Mon Jun 8 10:33:34 2020 Page 1
 ID:BoL?hgXglYpqwdOiyUmcQyz41fz-4ZVA?LnI6WzQcSPv93CbMIKEEO?OtvbtJkejs0z8N6I

0-1/8

0-1/8

Scale = 1:37.6

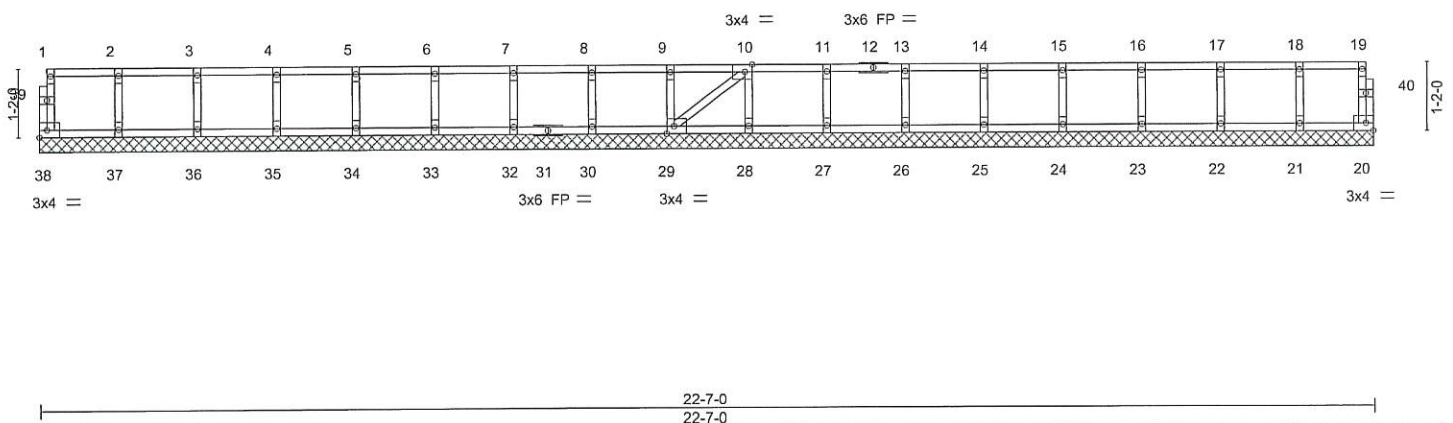


Plate Offsets (X,Y)-- [10:0-1-8,Edge], [29:0-1-8,Edge]

LOADING (psf)	SPACING-	2-0-0	CSI.	DEFL.	in (loc)	l/defl	L/d	PLATES	GRIP
TCLL 40.0	Plate Grip DOL	1.00	TC 0.06	Vert(LL)	n/a	-	n/a	MT20	244/190
TCDL 10.0	Lumber DOL	1.00	BC 0.01	Vert(CT)	n/a	-	n/a		
BCLL 0.0	Rep Stress Incr	YES	WB 0.03	Horz(CT)	0.00	20	n/a		
BCDL 5.0	Code IRC2015/TPI2014		Matrix-S					Weight: 96 lb	FT = 20%F, 11%E

LUMBER-	BRACING-
TOP CHORD 2x4 SP No.1(flat)	TOP CHORD Structural wood sheathing directly applied or 6-0-0 oc purlins, except end verticals.
BOT CHORD 2x4 SP No.1(flat)	BOT CHORD Rigid ceiling directly applied or 10-0-0 oc bracing.
WEBS 2x4 SP No.3(flat)	
OTHERS 2x4 SP No.3(flat)	

REACTIONS. All bearings 22-7-0.
 (lb) - Max Grav All reactions 250 lb or less at joint(s) 38, 20, 37, 36, 35, 34, 33, 32, 30, 29, 28, 27, 26, 25, 24, 23, 22, 21

FORCES. (lb) - Max. Comp./Max. Ten. - All forces 250 (lb) or less except when shown.

- NOTES-
- 1) All plates are 1.5x3 MT20 unless otherwise indicated.
 - 2) Plates checked for a plus or minus 1 degree rotation about its center.
 - 3) Gable requires continuous bottom chord bearing.
 - 4) Truss to be fully sheathed from one face or securely braced against lateral movement (i.e. diagonal web).
 - 5) Gable studs spaced at 1-4-0 oc.
 - 6) Recommend 2x6 strongbacks, on edge, spaced at 10-0-0 oc and fastened to each truss with 3-10d (0.131" X 3") nails. Strongbacks to be attached to walls at their outer ends or restrained by other means.



Job	Truss	Truss Type	Qty	Ply		E14484738
J0620-2873	KW1	FLOOR SUPPORTED GABL	1	1	Job Reference (optional)	

Comtech, Inc, Fayetteville, NC - 28314,

8.330 s May 6 2020 MiTek Industries, Inc. Mon Jun 8 10:33:35 2020 Page 1
 ID:BoL?hgXgYpawdOiyUmcQyz41fz-YI3YDhowtq5HEcz5jmjvvtPxoLdcMq0YONHOTz8N6k

0-1-8

Scale: 3/8"=1'

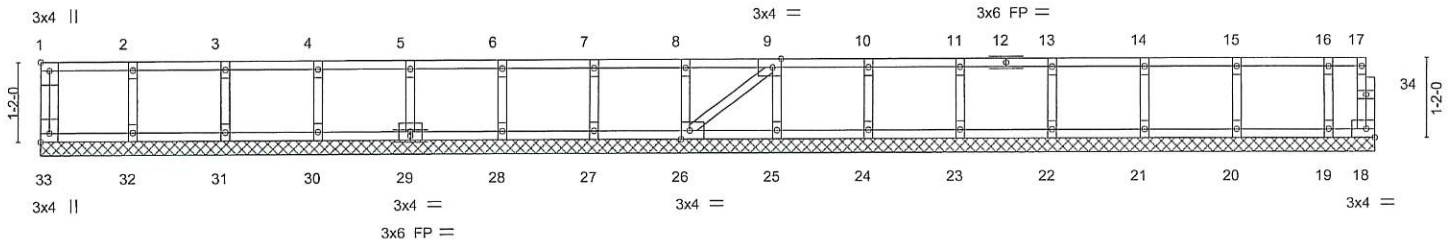


Plate Offsets (X,Y)--	[1:Edge,0-1-8], [9:0-1-8,Edge], [26:0-1-8,Edge], [33:Edge,0-1-8]
-----------------------	--

LOADING (psf)	SPACING-	2-0-0	CSI.	DEFL.	in (loc)	l/defl	L/d	PLATES	GRIP
TCLL 40.0	Plate Grip DOL	1.00	TC 0.06	Vert(LL)	n/a	-	n/a	MT20	244/190
TCDL 10.0	Lumber DOL	1.00	BC 0.01	Vert(CT)	n/a	-	n/a		
BCLL 0.0	Rep Stress Incr	YES	WB 0.03	Horz(CT)	0.00	18	n/a		
BCDL 5.0	Code IRC2015/TPI2014		Matrix-S					Weight: 84 lb	FT = 20%F, 11%E

LUMBER-	BRACING-
TOP CHORD 2x4 SP No.1(flat)	TOP CHORD Structural wood sheathing directly applied or 6-0-0 oc purlins, except end verticals.
BOT CHORD 2x4 SP No.1(flat)	BOT CHORD Rigid ceiling directly applied or 10-0-0 oc bracing.
WEBS 2x4 SP No.3(flat)	
OTHERS 2x4 SP No.3(flat)	

REACTIONS. All bearings 19-4-0.
 (lb) - Max Grav All reactions 250 lb or less at joint(s) 33, 18, 32, 31, 30, 29, 28, 27, 26, 25, 24, 23, 22, 21, 20, 19

FORCES. (lb) - Max. Comp./Max. Ten. - All forces 250 (lb) or less except when shown.

- NOTES-
- 1) All plates are 1.5x3 MT20 unless otherwise indicated.
 - 2) Plates checked for a plus or minus 1 degree rotation about its center.
 - 3) Gable requires continuous bottom chord bearing.
 - 4) Truss to be fully sheathed from one face or securely braced against lateral movement (i.e. diagonal web).
 - 5) Gable studs spaced at 1-4-0 oc.
 - 6) Recommend 2x6 strongbacks, on edge, spaced at 10-0-0 oc and fastened to each truss with 3-10d (0.131" X 3") nails. Strongbacks to be attached to walls at their outer ends or restrained by other means.
 - 7) CAUTION, Do not erect truss backwards.



June 8, 2020

<p>WARNING - Verify design parameters and READ NOTES ON THIS AND INCLUDED MITEK REFERENCE PAGE MI-T473 rev. 10/03/2015 BEFORE USE.</p> <p>Design valid for use only with MiTek® connectors. This design is based only upon parameters shown, and is for an individual building component, not a truss system. Before use, the building designer must verify the applicability of design parameters and properly incorporate this design into the overall building design. Bracing indicated is to prevent buckling of individual truss web and/or chord members only. Additional temporary and permanent bracing is always required for stability and to prevent collapse with possible personal injury and property damage. For general guidance regarding the fabrication, storage, delivery, erection and bracing of trusses and truss systems, see ANSI/TPI1 Quality Criteria, DSB-89 and BCSI Building Component Safety Information available from Truss Plate Institute, 218 N. Lee Street, Suite 312, Alexandria, VA 22314.</p>	<p>ENGINEERING BY</p> <p>TRENCO</p> <p>A MiTek Affiliate</p> <p>818 Soundside Road Edenton, NC 27932</p>
--	--

Job	Truss	Truss Type	Qty	Ply	Job Reference (optional)
J0620-2873	KW2	FLOOR SUPPORTED GABL	1	1	E14484739

Comtech, Inc, Fayetteville, NC - 28314,

8.330 s May 6 2020 MiTek Industries, Inc. Mon Jun 8 10:33:37 2020 Page 1
 ID:BoL?hgXglYpqwdOiyUmcQyz41fz-U8A1eNpBPRL?Tw7UrBil_NylUc154GKJ?isNSLz8N6i

0-1-8

0-1-8

Scale: 1/2"=1'

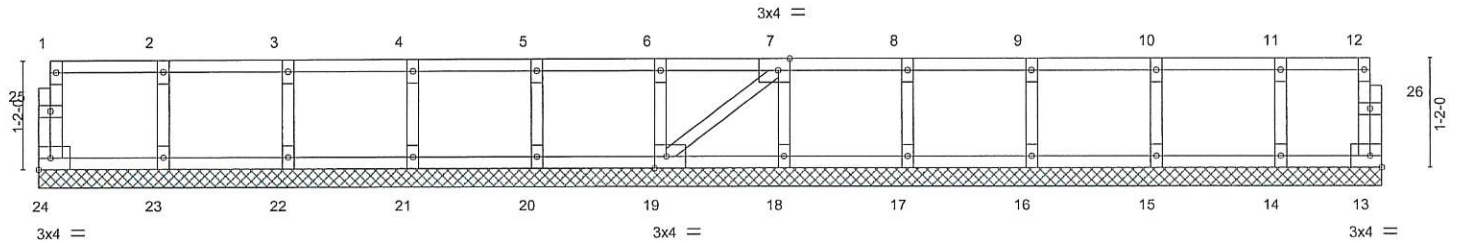


Plate Offsets (X,Y)-	[7:0-1-8,Edge], [19:0-1-8,Edge]
	14-5-0 14-5-0

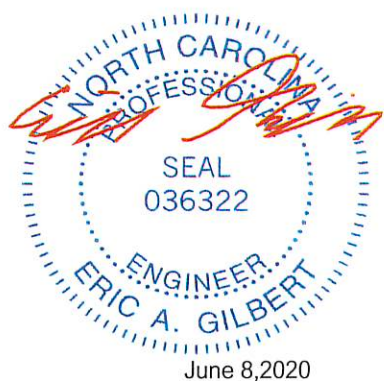
LOADING (psf)	SPACING-	2-0-0	CSI.	DEFL.	in (loc)	l/defl	L/d	PLATES	GRIP
TCLL 40.0	Plate Grip DOL	1.00	TC 0.06	Vert(LL)	n/a	-	n/a	MT20	244/190
TCDL 10.0	Lumber DOL	1.00	BC 0.01	Vert(CT)	n/a	-	n/a		
BCLL 0.0	Rep Stress Incr	YES	WB 0.03	Horz(CT)	0.00	13	n/a		
BCDL 5.0	Code IRC2015/TPI2014		Matrix-S						
								Weight: 63 lb	FT = 20%F, 11%E

LUMBER-	BRACING-
TOP CHORD 2x4 SP No.1(flat)	TOP CHORD Structural wood sheathing directly applied or 6-0-0 oc purlins, except end verticals.
BOT CHORD 2x4 SP No.1(flat)	BOT CHORD Rigid ceiling directly applied or 10-0-0 oc bracing.
WEBS 2x4 SP No.3(flat)	
OTHERS 2x4 SP No.3(flat)	

REACTIONS. All bearings 14-5-0.
 (lb) - Max Grav All reactions 250 lb or less at joint(s) 24, 13, 23, 22, 21, 20, 19, 18, 17, 16, 15, 14

FORCES. (lb) - Max. Comp./Max. Ten. - All forces 250 (lb) or less except when shown.

- NOTES-
- 1) All plates are 1.5x3 MT20 unless otherwise indicated.
 - 2) Plates checked for a plus or minus 1 degree rotation about its center.
 - 3) Gable requires continuous bottom chord bearing.
 - 4) Truss to be fully sheathed from one face or securely braced against lateral movement (i.e. diagonal web).
 - 5) Gable studs spaced at 1-4-0 oc.
 - 6) Recommend 2x6 strongbacks, on edge, spaced at 10-0-0 oc and fastened to each truss with 3-10d (0.131" X 3") nails. Strongbacks to be attached to walls at their outer ends or restrained by other means.

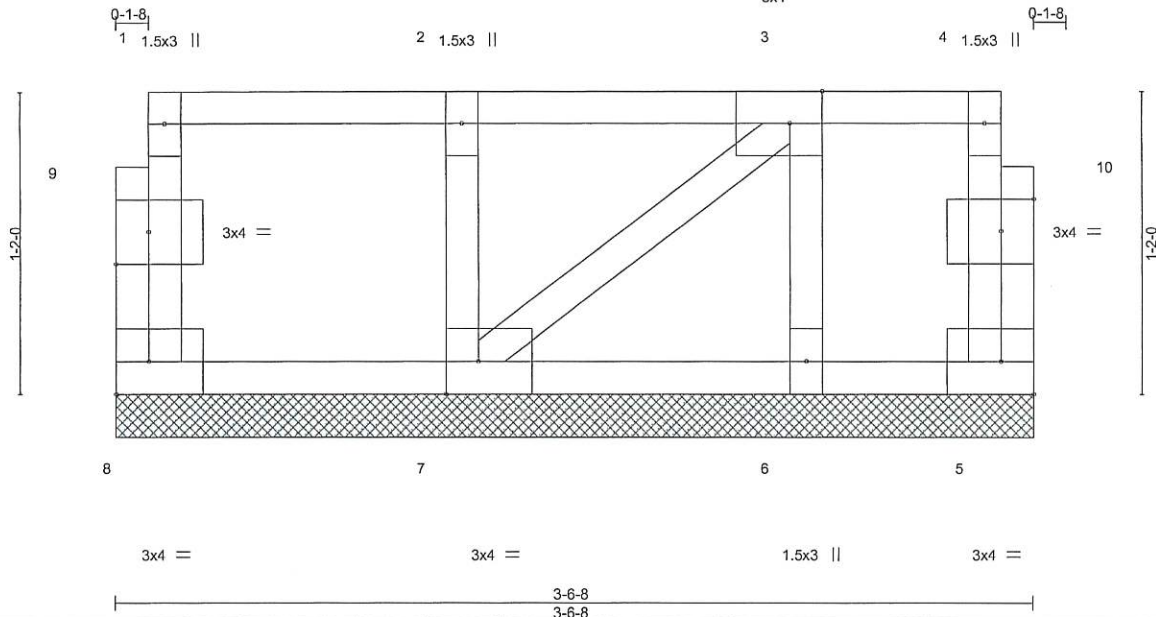


<p>WARNING - Verify design parameters and READ NOTES ON THIS AND INCLUDED MITEK REFERENCE PAGE MII-7473 rev. 10/03/2015 BEFORE USE.</p> <p>Design valid for use only with MiTek® connectors. This design is based only upon parameters shown, and is for an individual building component, not a truss system. Before use, the building designer must verify the applicability of design parameters and properly incorporate this design into the overall building design. Bracing indicated is to prevent buckling of individual truss web and/or chord members only. Additional temporary and permanent bracing is always required for stability and to prevent collapse with possible personal injury and property damage. For general guidance regarding the fabrication, storage, delivery, erection and bracing of trusses and truss systems, see ANSI/TPI1 Quality Criteria, DSB-89 and BCSI Building Component Safety Information available from Truss Plate Institute, 218 N. Lee Street, Suite 312, Alexandria, VA 22314.</p>	<p>ENGINEERING BY</p> <p>TRENCO</p> <p>A MiTek Affiliate</p> <p>818 Soundside Road Edenton, NC 27932</p>
---	---

Job	Truss	Truss Type	Qty	Ply	h	E14484740
J0620-2873	KW3	FLOOR SUPPORTED GABL	1	1		

Comtech, Inc, Fayetteville, NC - 28314,

8.330 s May 6 2020 MiTek Industries, Inc. Mon Jun 8 10:33:38 2020 Page 1
 ID: Bol?hgXglYpqwdOjyUmQyz41fz-yKkhrjqpAlTs53igOuGXXbVwB0MJpzSEMcx?oz8N6h



Scale = 1:8.6

Plate Offsets (X,Y)-- [3:0-1-8,Edge], [7:0-1-8,Edge], [9:0-1-8,0-1-8], [10:0-1-8,0-1-8]

LOADING (psf)	SPACING-	2-0-0	CSI.	DEFL.	in	(loc)	l/defl	L/d	PLATES	GRIP
TCLL 40.0	Plate Grip DOL	1.00	TC 0.06	Vert(LL)	n/a	-	n/a	999	MT20	244/190
TCDL 10.0	Lumber DOL	1.00	BC 0.01	Vert(CT)	n/a	-	n/a	999		
BCLL 0.0	Rep Stress Incr	YES	WB 0.03	Horz(CT)	0.00	5	n/a	n/a		
BCDL 5.0	Code IRC2015/TPI2014		Matrix-P						Weight: 20 lb	FT = 20%F, 11%E

LUMBER-
 TOP CHORD 2x4 SP No.1(flat)
 BOT CHORD 2x4 SP No.1(flat)
 WEBS 2x4 SP No.3(flat)
 OTHERS 2x4 SP No.3(flat)

BRACING-
 TOP CHORD Structural wood sheathing directly applied or 3-6-8 oc purlins, except end verticals.
 BOT CHORD Rigid ceiling directly applied or 10-0-0 oc bracing.

REACTIONS. All bearings 3-6-8.
 (lb) - Max Grav All reactions 250 lb or less at joint(s) 8, 5, 7, 6

FORCES. (lb) - Max. Comp./Max. Ten. - All forces 250 (lb) or less except when shown.

- NOTES-**
- 1) Plates checked for a plus or minus 1 degree rotation about its center.
 - 2) Gable requires continuous bottom chord bearing.
 - 3) Truss to be fully sheathed from one face or securely braced against lateral movement (i.e. diagonal web).
 - 4) Gable studs spaced at 1-4-0 oc.
 - 5) Recommend 2x6 strongbacks, on edge, spaced at 10-0-0 oc and fastened to each truss with 3-10d (0.131" X 3") nails. Strongbacks to be attached to walls at their outer ends or restrained by other means.



June 8, 2020

WARNING - Verify design parameters and READ NOTES ON THIS AND INCLUDED MITEK REFERENCE PAGE MII-7473 rev. 10/03/2015 BEFORE USE.

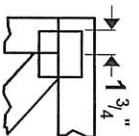
Design valid for use only with MiTek® connectors. This design is based only upon parameters shown, and is for an individual building component, not a truss system. Before use, the building designer must verify the applicability of design parameters and properly incorporate this design into the overall building design. Bracing indicated is to prevent buckling of individual truss web and/or chord members only. Additional temporary and permanent bracing is always required for stability and to prevent collapse with possible personal injury and property damage. For general guidance regarding the fabrication, storage, delivery, erection and bracing of trusses and truss systems, see **ANSI/TPI1 Quality Criteria, DSB-89 and BCSI Building Component Safety Information** available from Truss Plate Institute, 218 N. Lee Street, Suite 312, Alexandria, VA 22314.

ENGINEERING BY
TRENCO
 A MiTek Affiliate

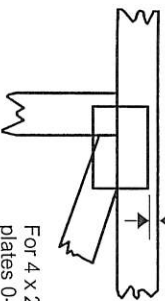
818 Soundside Road
 Edenton, NC 27932

Symbols

PLATE LOCATION AND ORIENTATION



Center plate on joint unless x, y offsets are indicated. Dimensions are in ft-in-sixteenths. Apply plates to both sides of truss and fully embed teeth.



For 4 x 2 orientation, locate plates 0- $\frac{1}{16}$ " from outside edge of truss.



This symbol indicates the required direction of slots in connector plates.

* Plate location details available in MITek 20/20 software or upon request.

PLATE SIZE

4 X 4

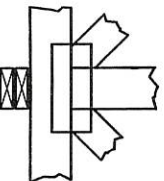
The first dimension is the plate width measured perpendicular to slots. Second dimension is the length parallel to slots.

LATERAL BRACING LOCATION



Indicated by symbol shown and/or by text in the bracing section of the output. Use T or L bracing if indicated.

BEARING



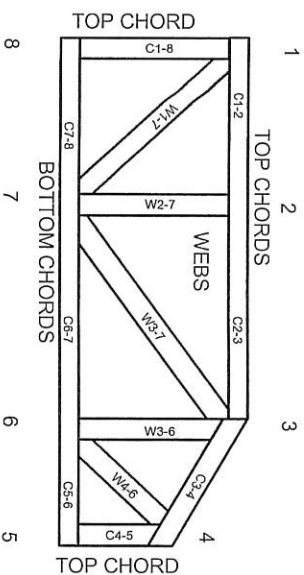
Indicates location where bearings (supports) occur. Icons vary but reaction section indicates joint number where bearings occur. Min size shown is for crushing only.

Industry Standards:

ANSI/TP11: National Design Specification for Metal Plate Connected Wood Truss Construction.
DSB-89: Design Standard for Bracing.
BCSI: Building Component Safety Information, Guide to Good Practice for Handling, Installing & Bracing of Metal Plate Connected Wood Trusses.

Numbering System

6-4-8 dimensions shown in ft-in-sixteenths (Drawings not to scale)



JOINTS ARE GENERALLY NUMBERED/LETTERED CLOCKWISE AROUND THE TRUSS STARTING AT THE JOINT FARTHEST TO THE LEFT.

CHORDS AND WEBS ARE IDENTIFIED BY END JOINT NUMBERS/LETTERS.

PRODUCT CODE APPROVALS

ICC-ES Reports:

ESR-1314, ESR-1352, ESR1988
ER-3907, ESR-2362, ESR-1397, ESR-3282

Trusses are designed for wind loads in the plane of the truss unless otherwise shown.
Lumber design values are in accordance with ANSI/TP1 section 6.3 These truss designs rely on lumber values established by others.

© 2012 MITek® All Rights Reserved

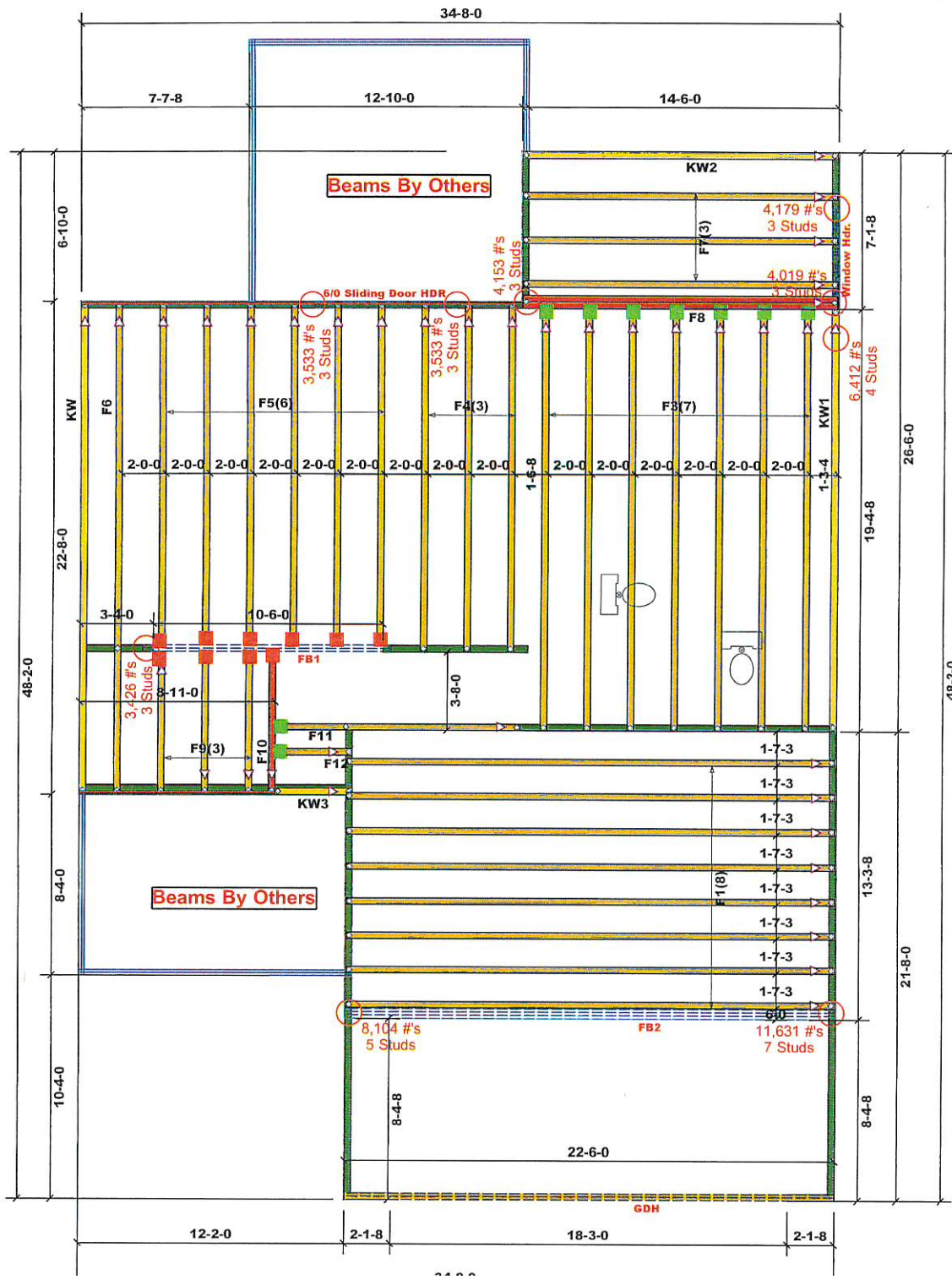


MITek Engineering Reference Sheet: Mill-7473 rev. 10/03/2015

General Safety Notes

Failure to Follow Could Cause Property Damage or Personal Injury

1. Additional stability bracing for truss system, e.g. diagonal or X-bracing, is always required. See BCSI.
2. Truss bracing must be designed by an engineer. For wide truss spacing, individual lateral braces themselves may require bracing, or alternative Tor 1 bracing should be considered.
3. Never exceed the design loading shown and never stack materials on inadequately braced trusses.
4. Provide copies of this truss design to the building designer, erection supervisor, property owner and all other interested parties.
5. Cut members to bear tightly against each other.
6. Place plates on each face of truss at each joint and embed fully. Knots and wane at joint locations are regulated by ANSI/TP1.
7. Design assumes trusses will be suitably protected from the environment in accord with ANSI/TP1.
8. Unless otherwise noted, moisture content of lumber shall not exceed 19% at time of fabrication.
9. Unless expressly noted, this design is not applicable for use with fire retardant, preservative treated, or green lumber.
10. Camber is a non-structural consideration and is the responsibility of truss fabricator. General practice is to camber for dead load deflection.
11. Plate type, size, orientation and location dimensions indicated are minimum plating requirements.
12. Lumber used shall be of the species and size, and in all respects, equal to or better than that specified.
13. Top chords must be sheathed or purlins provided at spacing indicated on design.
14. Bottom chords require lateral bracing at 10 ft. spacing, or less, if no ceiling is installed, unless otherwise noted.
15. Connections not shown are the responsibility of others.
16. Do not cut or alter truss member or plate without prior approval of an engineer.
17. Install and load vertically unless indicated otherwise.
18. Use of green or treated lumber may pose unacceptable environmental, health or performance risks. Consult with project engineer before use.
19. Review all portions of this design (front, back, words and pictures) before use. Reviewing pictures alone is not sufficient.
20. Design assumes manufacture in accordance with ANSI/TP1 Quality Criteria.



PlotID	Length	Product	Piles	Net Qty
6/0 Sliding Door HDR	7-0-0	1-3/4"x 9-1/4" LVL Kerto-S	2	2
GDH	23-0-0	1-3/4"x 14" LVL Kerto-S	2	2
FB1	12-0-0	1-3/4"x 14" LVL Kerto-S	2	2
Window Hdr.	7-0-0	1-3/4"x 14" LVL Kerto-S	2	2
FB2	23-0-0	1-3/4"x 23-7/8" LVL Kerto-S	3	3

- = USP HUS410 2x Hanger
- = USP MSH422 2x Strap Hanger

Truss Placement Plan
SCALE: NTS

△ = Indicates Left End of Truss
(Reference Engineered Truss Drawing)
Do NOT Erect Truss Backwards

LOAD CHART FOR JACE STUDS
BASED ON 48" SPACING
LVL PER MANUFACTURER'S TABLES
SPECIFICATIONS

SPACING	MAXIMUM LOAD (KIP)	MAXIMUM LOAD (KIP)	MAXIMUM LOAD (KIP)
3700	1	2400	1
3400	2	2000	2
3100	3	1600	3
2800	4	1200	4
2500	5	800	5
2200	6	400	6
1900	7	0	7
1600	8	0	8
1300	9	0	9

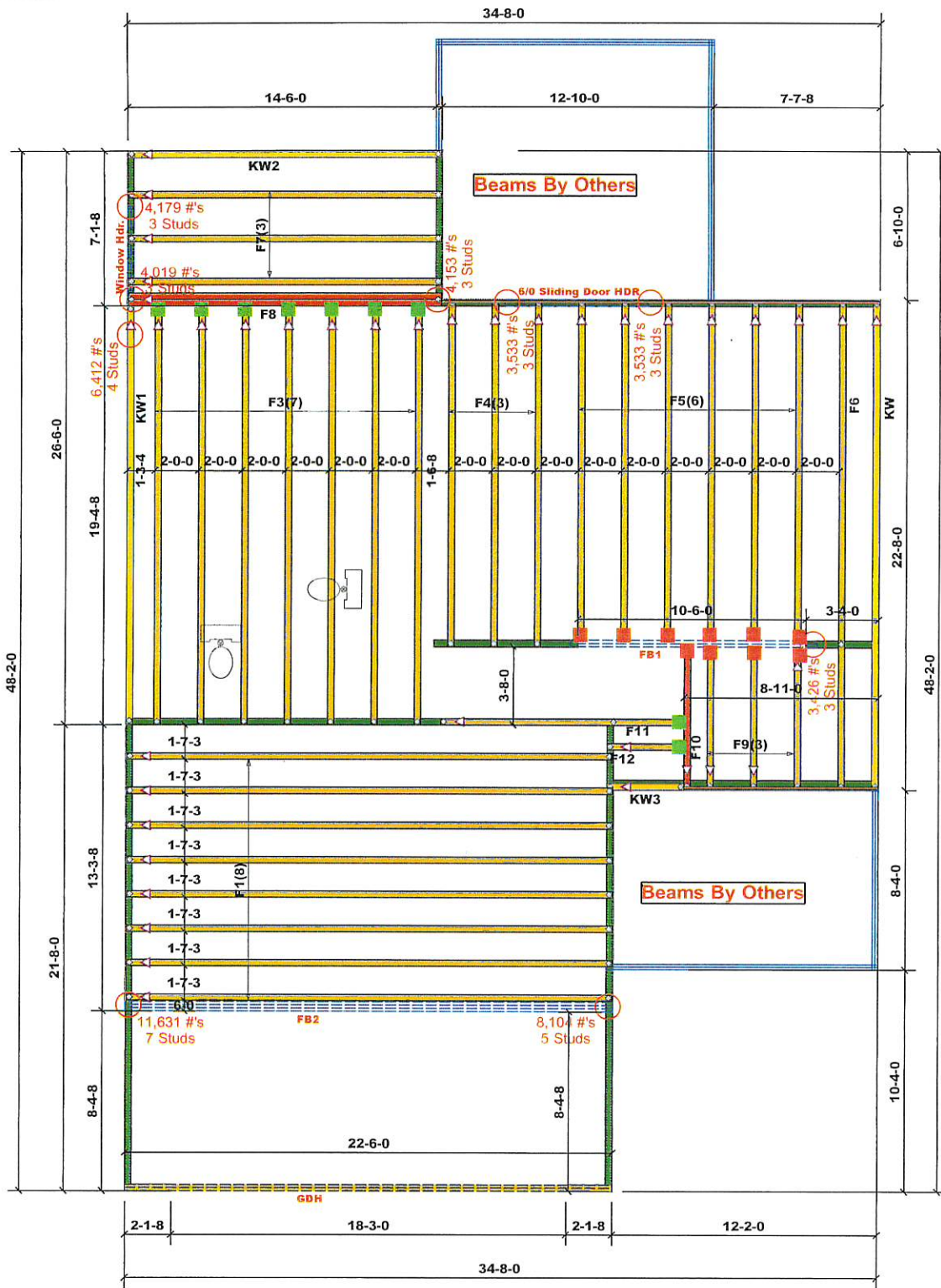
BUILDER	Weaver Development	COUNTY	
JOB NAME	Lot 2 St. Andrews	ADDRESS	
PLAN		MODEL	Floor
SEAL DATE	N/A	DATE REV.	/ /
QUOTE #	B0520-1988	DRAWN BY	Marshall Naylor
JOB #	J0620-2873	SALESMAN	Lenny Norris

THIS IS A TRUSS PLACEMENT DIAGRAM ONLY.
These trusses are designed as individual building components to be incorporated into the building design at the discretion of the building designer. The individual design (loads for each truss design) identified on the placement drawing, the building designer is responsible for ensuring and providing loading of the roof and floor system and for the overall structure. The design of the truss support structure including foundation, beams, walls, and columns is the responsibility of the building designer. For general guidance regarding loading, consult ICC-ES E-1001 and ICC-ES E-1002 provided with the truss delivery package at www.comtech.com.

Design trusses have been or equal to 3000F as a minimum to comply with the prescriptive Code requirements. The contractor shall refer to the individual Truss / Detail from the manufacturer's Code requirements 1 to determine the minimum foundation size and number of steel studs required for support reactions greater than 3000F but not greater than 15000F. A registered design professional shall be retained to design the support system for any reactions that exceed these limits in the individual Tables. A registered design professional shall be retained to design the support system for all reactions that exceed 15000F.

Signature: Marshall Naylor

comtech
ROOF & FLOOR
TRUSSES & BEAMS
Relly Road Industrial Park
Fayetteville, N.C. 28309
Phone: (910) 864-8787
Fax: (910) 864-4444



PlotID	Length	Products	Piles	Net Qty
6/0 Sliding Door HDR	7-0-0	1-3/4" x 9-1/4" LVL Kerto-S	2	2
GDH	23-0-0	1-3/4" x 14" LVL Kerto-S	2	2
FB1	12-0-0	1-3/4" x 14" LVL Kerto-S	2	2
Window Hdr.	7-0-0	1-3/4" x 14" LVL Kerto-S	2	2
FB2	23-0-0	1-3/4" x 23-7/8" LVL Kerto-S	3	3

- = USP HUS410 2x Hanger
- = USP MSH422 2x Strap Hanger

Truss Placement Plan
SCALE: NTS

▲ = Indicates Left End of Truss
(Reference Engineered Truss Drawing)
Do NOT Erect Truss Backwards

LOAD CHART FOR JACK STUDS

W/SPAN	W/SPAN	W/SPAN	W/SPAN	W/SPAN	W/SPAN	W/SPAN	W/SPAN	W/SPAN
1120	1120	1120	1120	1120	1120	1120	1120	1120
1400	1400	1400	1400	1400	1400	1400	1400	1400
1680	1680	1680	1680	1680	1680	1680	1680	1680
1960	1960	1960	1960	1960	1960	1960	1960	1960
2240	2240	2240	2240	2240	2240	2240	2240	2240
2520	2520	2520	2520	2520	2520	2520	2520	2520
2800	2800	2800	2800	2800	2800	2800	2800	2800
3080	3080	3080	3080	3080	3080	3080	3080	3080
3360	3360	3360	3360	3360	3360	3360	3360	3360
3640	3640	3640	3640	3640	3640	3640	3640	3640
3920	3920	3920	3920	3920	3920	3920	3920	3920
4200	4200	4200	4200	4200	4200	4200	4200	4200
4480	4480	4480	4480	4480	4480	4480	4480	4480
4760	4760	4760	4760	4760	4760	4760	4760	4760
5040	5040	5040	5040	5040	5040	5040	5040	5040
5320	5320	5320	5320	5320	5320	5320	5320	5320
5600	5600	5600	5600	5600	5600	5600	5600	5600
5880	5880	5880	5880	5880	5880	5880	5880	5880
6160	6160	6160	6160	6160	6160	6160	6160	6160
6440	6440	6440	6440	6440	6440	6440	6440	6440
6720	6720	6720	6720	6720	6720	6720	6720	6720
7000	7000	7000	7000	7000	7000	7000	7000	7000
7280	7280	7280	7280	7280	7280	7280	7280	7280
7560	7560	7560	7560	7560	7560	7560	7560	7560
7840	7840	7840	7840	7840	7840	7840	7840	7840
8120	8120	8120	8120	8120	8120	8120	8120	8120
8400	8400	8400	8400	8400	8400	8400	8400	8400
8680	8680	8680	8680	8680	8680	8680	8680	8680
8960	8960	8960	8960	8960	8960	8960	8960	8960
9240	9240	9240	9240	9240	9240	9240	9240	9240
9520	9520	9520	9520	9520	9520	9520	9520	9520
9800	9800	9800	9800	9800	9800	9800	9800	9800
10080	10080	10080	10080	10080	10080	10080	10080	10080

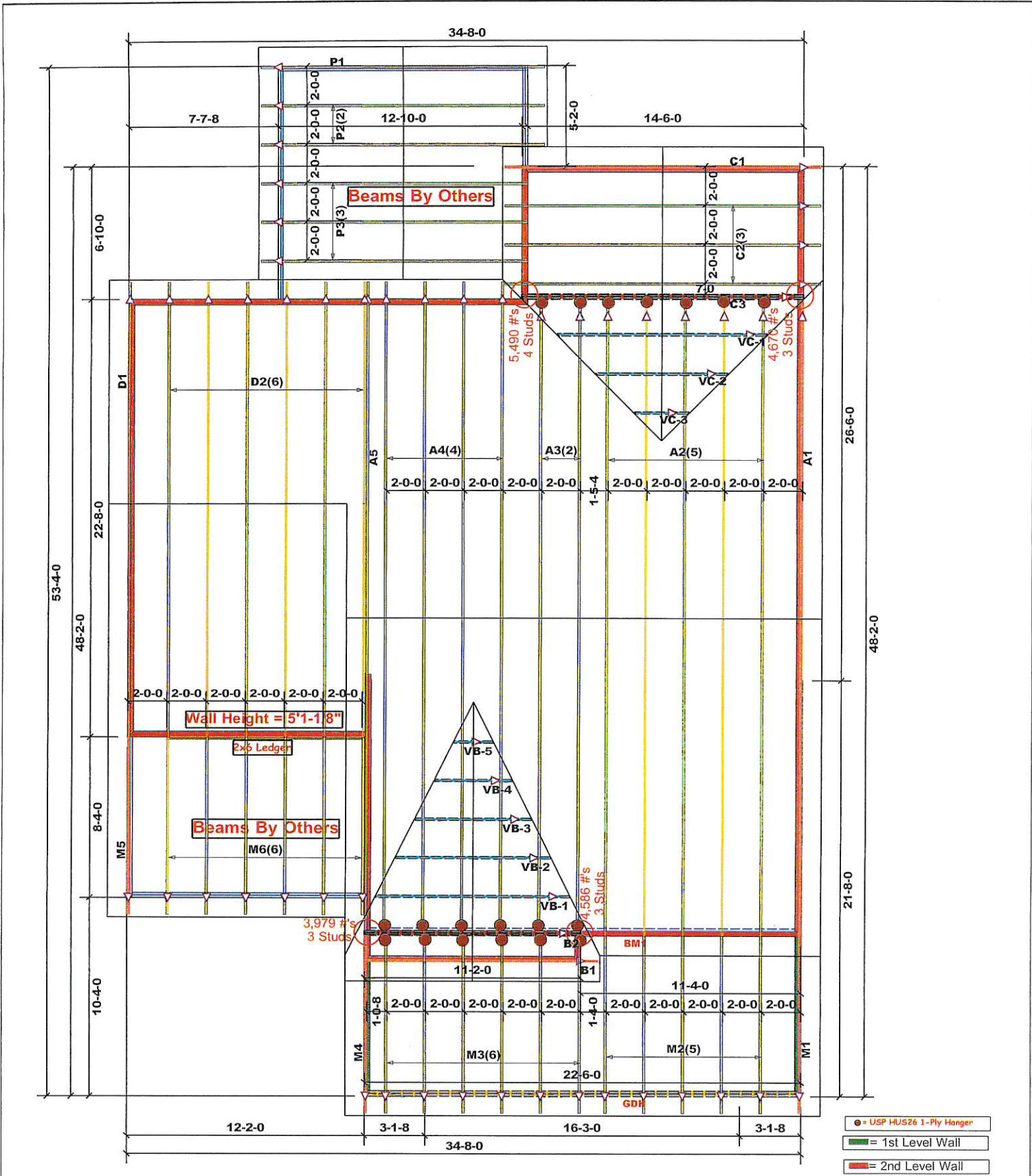
BUILDER	Weaver Development	COUNTY	
JOB NAME	Gaston II (181035B)	ADDRESS	
PLAN		MODEL	Floor
SEAL DATE	N/A	DATE REV.	/ /
QUOTE #	B0520-1988	DRAWN BY	Marshall Naylor
JOB #	J0620-2873	SALESMAN	Lenny Norris

THIS IS A TRUSS PLACEMENT DIAGRAM ONLY.
These trusses are designed as individual building components to be incorporated into the building design at the specification of the building designer. The individual design allows for each frame design identified on the placement drawing. The building designer is responsible for temporary and permanent loading of the roof and floor systems and for the overall structure. The design of the truss support structure (including columns, beams, walls, and columns) is the responsibility of the building designer. For general guidance regarding loading, consult ICCES E-308 and E-308A3 provided with the truss delivery package or contact ICCES directly.

Having reviewed these trusses in regard to 2018RHS, we warrant to comply with the provisions of the Code requirements. The contractor shall refer to the attached tables derived from the provisions of the Code requirements to determine the minimum foundation size and number of support studs required to support trusses greater than 2018RHS but not greater than 10010R. A registered engineer or professional shall be retained to design the support system for any trusses that exceed those specified in the attached tables. A registered engineer or professional shall be retained to design the support system for all trusses that exceed 10010R.

Marshall Naylor

comtech	
ROOF & FLOOR TRUSSES & BEAMS	
Rolly Road Industrial Park Fayetteville, N.C. 28309 Phone: (910) 864-8787 Fax: (910) 864-4444	



Truss Placement Plan
SCALE: NTS

- = USP HUS26 1-Ply Hanger
- = 1st Level Wall
- = 2nd Level Wall

▲ = Indicates Left End of Truss
(Reference Engineered Truss Drawing)
Do NOT Erect Truss Backwards

LOAD CHART FOR JACK STUDS

SPACING	2x4	2x6	2x8	2x10	2x12
12" O.C.	1750	2500	3400	4300	5200
16" O.C.	1300	1900	2600	3300	4000
20" O.C.	1000	1400	1900	2400	2900
24" O.C.	750	1050	1400	1800	2200
30" O.C.	500	700	950	1250	1550

BUILDER	Weaver Development
JOB NAME	
PLAN	Gaston II (181035B)
SEAL DATE	N/A
QUOTE #	B0220-0684
JOB #	J0620-2872

COUNTY	
ADDRESS	
MODEL	Roof
DATE REV.	/ /
DRAWN BY	Marshall Naylor
SALESMAN	Lenny Norris

THIS IS A TRUSS PLACEMENT DIAGRAM ONLY. These trusses are designed as individual building components to be incorporated into the building design of the specifier. The building designer is responsible for the overall design of the building, including the design of the roof and floor systems and for the wall structure. The design of the truss support structure including trusses, beams, walls, and columns is the responsibility of the building designer. For general guidance regarding trussing, consult ICC-ES E-1001 and ICC-ES E-1002 provided with the truss delivery package at truss.com.

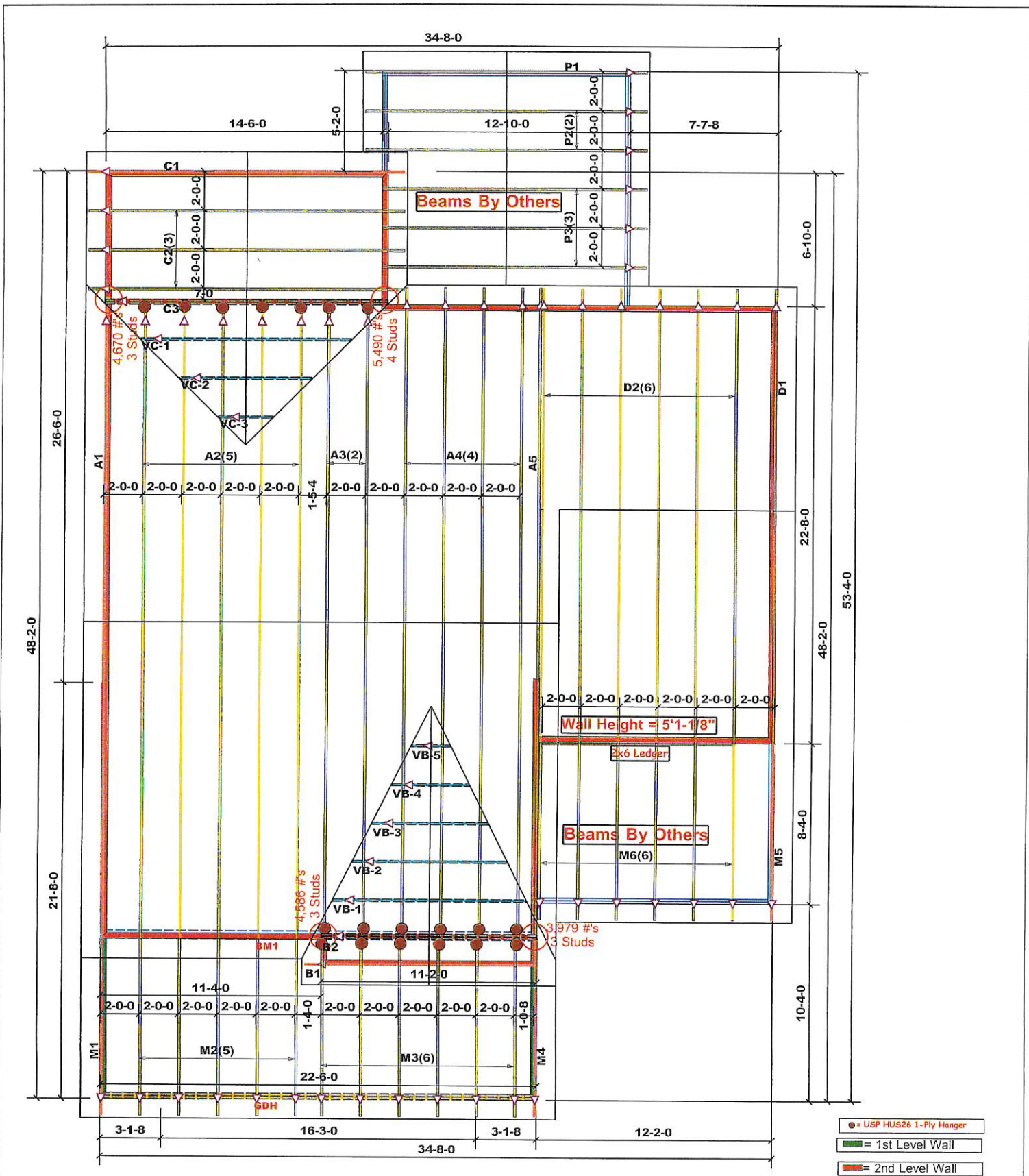
Having examined these trusses as required by 2009F as allowed in conformity with the provisions of the applicable Code requirements, I have determined the minimum required foundation and wall anchors at each truss support to support trusses greater than 2009F and not greater than 1809F. A registered design professional shall be required to design the support system for any trusses that exceeds those specified in the attached Table. A registered design professional shall be retained to design the support system for all trusses that exceed 1809F.

Signature: Marshall Naylor

comtech

ROOF & FLOOR TRUSSES & BEAMS

Relly Road Industrial Park
Fayetteville, N.C. 28309
Phone: (910) 864-8787
Fax: (910) 864-4444



Truss Placement Plan
SCALE: NTS

LOAD CHART FOR JACK STUDS

Roof Joist Spacing: 24" OC
 Joist Depth: 12" x 16"
 Joist Material: LVL
 Joist Grade: S4S

1720	1	3420	1
1920	2	3420	2
2120	3	3420	3
2320	4	3420	4
2520	5	3420	5
2720	6	3420	6
2920	7	3420	7
3120	8	3420	8
3320	9	3420	9

BUILDER	Weaver Development
JOB NAME	
PLAN	Gaston II (181035B)
SEAL DATE	N/A
QUOTE #	B0220-0684
JOB #	J0620-2872

COUNTY	
ADDRESS	
MODEL	Roof
DATE REV.	//
DRAWN BY	Marshall Naylor
SALESMAN	Lenny Norris

THIS IS A TRUSS PLACEMENT DIAGRAM ONLY.
 These trusses are designed as a structural building component to be incorporated into the building design as the structure for the building envelope. The structural design shown for each truss design identified on the placement drawing. The building designer is responsible for loading and proper detailing of the roof and floor system with the overall structure. The design of the truss support structure including headers, beams, walls, and concrete is the responsibility of the building designer. For general guidance regarding loading, consult ICC-ES E-1001 and ICC-ES E-1002 provided with the truss delivery package or contact the manufacturer.

Roofing manufacturer has been requested to supply to 2009F use trusses to comply with the prevailing code requirements. The contractor shall refer to the manufacturer's literature (download from the manufacturer's website) to determine the maximum installation rate and number of roof decks required to support maximum spans. This 2009F load set greater than 1500PSF. A registered design professional shall be retained to design the support system for any conditions that exceeds those specified in the attached Truss. A registered design professional shall be retained to design the support system for all conditions that exceed 1500PSF.

Signature: Marshall Naylor

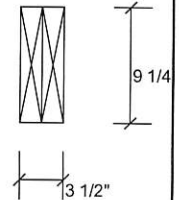
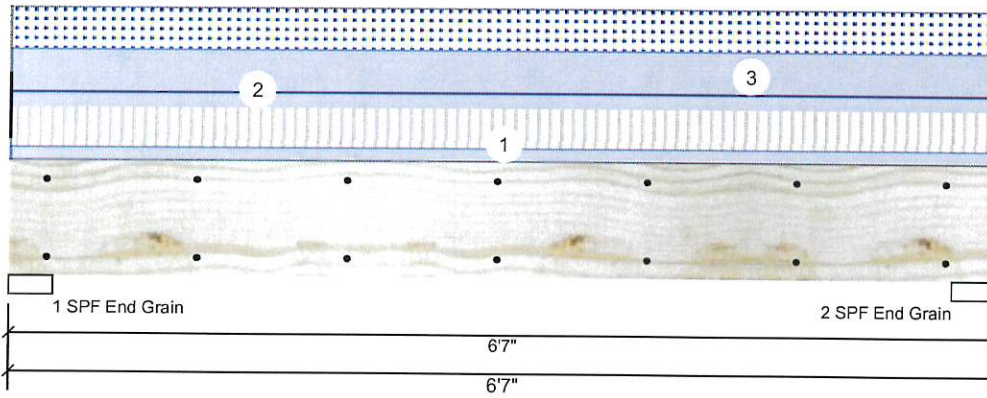
comtech
ROOF & FLOOR TRUSSES & BEAMS
 Rolly Road Industrial Park
 Fayetteville, N.C., 28309
 Phone: (910) 864-8787
 Fax: (910) 864-1444



Client: Weaver Development
 Project:
 Address: Gaston II (181035B)

Date: 6/24/2020
 Input by: Christine Shivy
 Job Name: 6/0 Sliding Door HDR
 Project #:

6/0 Sliding Door HDR Kerto-S LVL 1.750" X 9.250" 2-Ply - PASSED Level: Level



Member Information

Type: Girder	Application: Floor
Plies: 2	Design Method: ASD
Moisture Condition: Dry	Building Code: IBC/IRC 2015
Deflection LL: 480	Load Sharing: No
Deflection TL: 360	Deck: Not Checked
Importance: Normal	
Temperature: Temp <= 100°F	

Reactions UNPATTERNED lb (Uplift)

Brg	Live	Dead	Snow	Wind	Const
1	1060	1903	1113	0	0
2	1060	1903	1113	0	0

Bearings

Bearing	Length	Cap. React	D/L lb	Total	Ld. Case	Ld. Comb.
1 - SPF End Grain	3.500"	33%	1903 / 1629	3533	L	D+0.75(L+S)
2 - SPF End Grain	3.500"	33%	1903 / 1629	3533	L	D+0.75(L+S)

Analysis Results

Analysis	Actual	Location	Allowed	Capacity	Comb.	Case
Moment	5033 ft-lb	3'3 1/2"	14423 ft-lb	0.349 (35%)	D+0.75(L+S)	L
Unbraced	5033 ft-lb	3'3 1/2"	10451 ft-lb	0.482 (48%)	D+0.75(L+S)	L
Shear	2459 lb	1'	7943 lb	0.310 (31%)	D+0.75(L+S)	L
LL Defl inch	0.042 (L/1741)	3'3 1/2"	0.153 (L/480)	0.280 (28%)	0.75(L+S)	L
TL Defl inch	0.092 (L/803)	3'3 1/2"	0.204 (L/360)	0.450 (45%)	D+0.75(L+S)	L

Design Notes

- 1 Fasten all plies using 2 rows of 10d Box nails (.128x3") at 12" o.c. Maximum end distance not to exceed 6".
- 2 Refer to last page of calculations for fasteners required for specified loads.
- 3 Girders are designed to be supported on the bottom edge only.
- 4 Top loads must be supported equally by all plies.
- 5 Top braced at bearings.
- 6 Bottom braced at bearings.
- 7 Lateral slenderness ratio based on single ply width.

ID	Load Type	Location	Trib Width	Side	Dead 0.9	Live 1	Snow 1.15	Wind 1.6	Const. 1.25	Comments
1	Uniform			Top	108 PLF	322 PLF	0 PLF	0 PLF	0 PLF	F4
2	Uniform			Top	125 PLF	0 PLF	0 PLF	0 PLF	0 PLF	Wall Load
3	Uniform			Top	338 PLF	0 PLF	338 PLF	0 PLF	0 PLF	A4
	Self Weight				7 PLF					

Notes
 Calculated Structural Designs is responsible only of the structural adequacy of this component based on the design criteria and loadings shown. It is the responsibility of the customer and/or the contractor to ensure the component suitability of the intended application, and to verify the dimensions and loads.

Lumber
 1. Dry service conditions, unless noted otherwise
 2. LVL not to be treated with fire retardant or corrosive chemicals

Handling & Installation

1. LVL beams must not be cut or drilled
2. Refer to manufacturer's product information regarding installation requirements, multi-ply fastening details, beam strength values, and code approvals
3. Damaged Beams must not be used
4. Design assumes top edge is laterally restrained
5. Provide lateral support at bearing points to avoid lateral displacement and rotation

6. For flat roofs provide proper drainage to prevent ponding

This design is valid until 2/26/2023

Manufacturer Info
 Metsä Wood
 301 Merritt 7 Building, 2nd Floor
 Norwalk, CT 06851
 (800) 622-5850
www.metsawood.com/us
 ICC-ES: ESR-3633

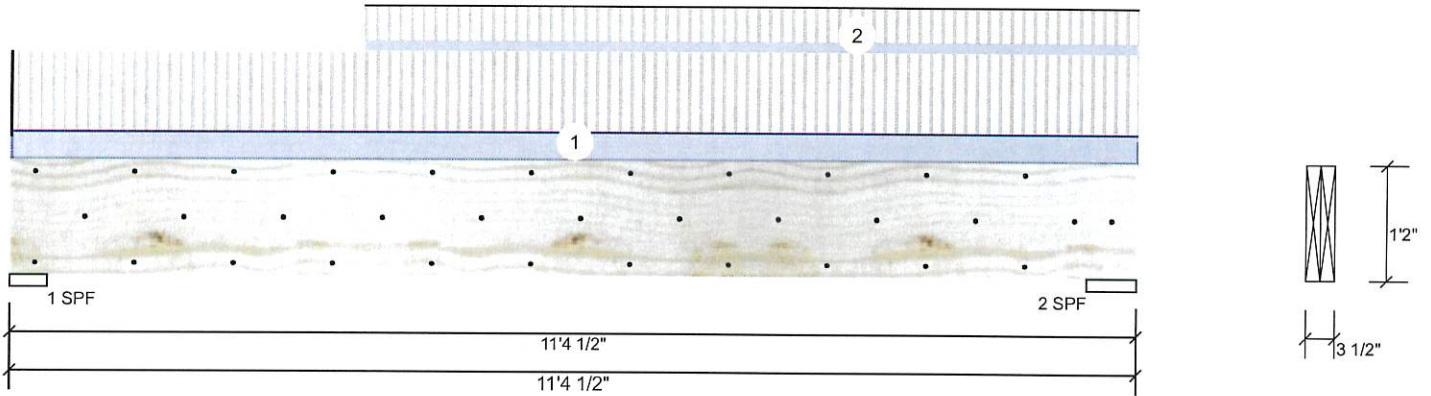
Comtech, Inc.
 1001 S. Reilly Road, Suite #639
 Fayetteville, NC
 USA
 28314
 910-864-TRUS



Client: Weaver Homes
 Project: Gaston II (181035B)
 Address: Gaston II (181035B)

Date: 6/24/2020
 Input by: Christine Shivy
 Job Name: BM2
 Project #:

FB1 Kerto-S LVL 1.750" X 14.000" 2-Ply - PASSED Level: Level



Member Information

Type:	Girder	Application:	Floor
Plies:	2	Design Method:	ASD
Moisture Condition:	Dry	Building Code:	IBC 2012
Deflection LL:	480	Load Sharing:	No
Deflection TL:	360	Deck:	Not Checked
Importance:	Normal		
Temperature:	Temp <= 100°F		

Reactions UNPATTERNED lb (Uplift)

Brg	Live	Dead	Snow	Wind	Const
1	2129	771	0	0	0
2	2523	904	0	0	0

Bearings

Bearing	Length	Cap. React	D/L lb	Total	Ld. Case	Ld. Comb.
1 - SPF	4.500"	43%	771 / 2129	2899	L	D+L
2 - SPF	6.000"	38%	904 / 2523	3426	L	D+L

Analysis Results

Analysis	Actual	Location	Allowed	Capacity	Comb.	Case
Moment	8168 ft-lb	5'9 3/16"	26999 ft-lb	0.303 (30%)	D+L	L
Unbraced	8168 ft-lb	5'9 3/16"	10258 ft-lb	0.796 (80%)	D+L	L
Shear	2941 lb	9'9 1/4"	10453 lb	0.281 (28%)	D+L	L
LL Defl inch	0.090 (L/1419)	5'8 3/16"	0.266 (L/480)	0.340 (34%)	L	L
TL Defl inch	0.122 (L/1044)	5'8 3/16"	0.354 (L/360)	0.340 (34%)	D+L	L

Design Notes

- 1 Fasten all plies using 3 rows of 10d Box nails (.128x3") at 12" o.c. Maximum end distance not to exceed 6".
- 2 Refer to last page of calculations for fasteners required for specified loads.
- 3 Girders are designed to be supported on the bottom edge only.
- 4 Top loads must be supported equally by all plies.
- 5 Top braced at bearings.
- 6 Bottom braced at bearings.
- 7 Lateral slenderness ratio based on single ply width.

ID	Load Type	Location	Trib Width	Side	Dead 0.9	Live 1	Snow 1.15	Wind 1.6	Const. 1.25	Comments
1	Uniform			Far Face	106 PLF	318 PLF	0 PLF	0 PLF	0 PLF	F5
2	Part. Uniform	3-6-8 to 11-4-8		Top	44 PLF	132 PLF	0 PLF	0 PLF	0 PLF	F9
	Self Weight				11 PLF					

Notes
 Calculated Structural Designs is responsible only of the structural adequacy of this component based on the design criteria and loadings shown. It is the responsibility of the customer and/or the contractor to ensure the component suitability of the intended application, and to verify the dimensions and loads.

Lumber
 1. Dry service conditions, unless noted otherwise
 2. LVL not to be treated with fire retardant or corrosive chemicals

Handing & Installation
 1. LVL beams must not be cut or drilled
 2. Refer to manufacturer's product information regarding installation requirements, multi-ply fastening details, beam strength values, and code approvals
 3. Damaged Beams must not be used
 4. Design assumes top edge is laterally restrained
 5. Provide lateral support at bearing points to avoid lateral displacement and rotation

6. For flat roofs provide proper drainage to prevent ponding

Manufacturer Info
 Metsä Wood
 301 Merritt 7 Building, 2nd Floor
 Norwalk, CT 06851
 (800) 622-5850
www.metsawood.com/us
 ICC-ES: ESR-3633

Comtech, Inc.
 1001 S. Reilly Road, Suite #639
 Fayetteville, NC
 USA
 28314
 910-864-TRUS



This design is valid until 2/26/2023

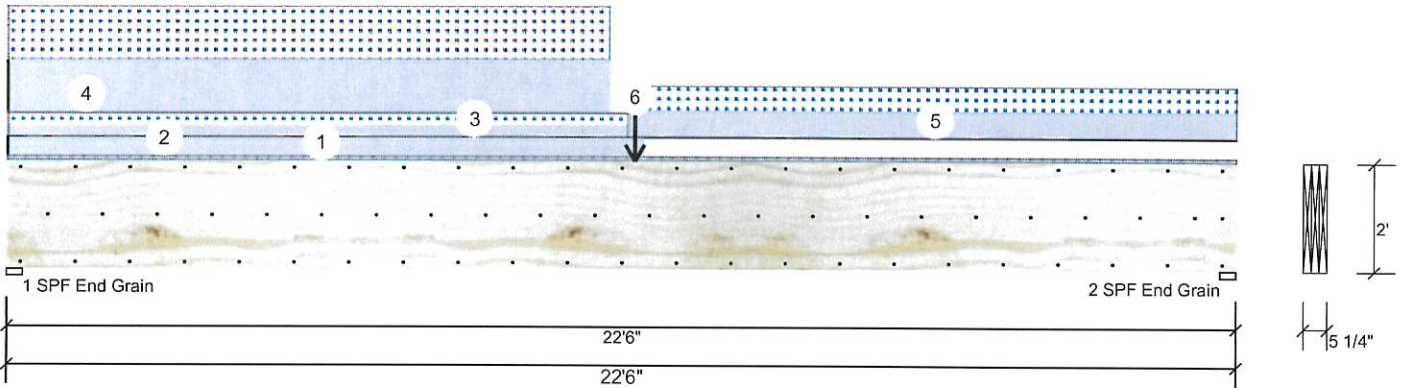


Client: Weaver Homes
 Project: Gaston II (181035B)
 Address: Gaston II (181035B)

Date: 6/24/2020
 Input by: Marshall Naylor
 Job Name: BM1
 Project #:

FB2 Kerto-S LVL 1.750" X 24.000" 3-Ply - PASSED

Level: Level



Member Information

Type: Girder
 Plies: 3
 Moisture Condition: Dry
 Deflection LL: 480
 Deflection TL: 360
 Importance: Normal
 Temperature: Temp <= 100°F

Application: Floor
 Design Method: ASD
 Building Code: IBC 2012
 Load Sharing: Yes
 Deck: Not Checked

Reactions UNPATTERNED lb (Uplift)

Brg	Live	Dead	Snow	Wind	Const
1	225	6536	5095	0	0
2	225	4429	3676	0	0

Bearings

Bearing	Length	Cap. React	D/L lb	Total	Ld. Case	Ld. Comb.
1 - SPF End Grain	3.500"	73%	6536 / 5095	11631	L	D+S
2 - SPF End Grain	3.500"	51%	4429 / 3676	8104	L	D+S

Analysis Results

Analysis	Actual	Location	Allowed	Capacity	Comb.	Case
Moment	65477 ft-lb	11'5 3/4"	131295 ft-lb	0.499 (50%)	D+S	L
Unbraced	65477 ft-lb	11'5 3/4"	65903 ft-lb	0.994 (99%)	D+S	L
Shear	10093 lb	2'2 5/8"	30912 lb	0.327 (33%)	D+S	L
LL Defl inch	0.226 (L/1171)	11'1 11/16"	0.552 (L/480)	0.410 (41%)	S	L
TL Defl inch	0.501 (L/528)	11' 7/8"	0.735 (L/360)	0.680 (68%)	D+S	L

Design Notes

- 1 Fasten all plies using 3 rows of 10d Box nails (.128x3") at 12" o.c. Maximum end distance not to exceed 6".
- 2 Refer to last page of calculations for fasteners required for specified loads.
- 3 Girders are designed to be supported on the bottom edge only.
- 4 Top loads must be supported equally by all plies.
- 5 Top must be laterally braced at a maximum of 3'11 5/8" o.c.
- 6 Bottom braced at bearings.
- 7 Lateral slenderness ratio based on single ply width.

ID	Load Type	Location	Trib Width	Side	Dead 0.9	Live 1	Snow 1.15	Wind 1.6	Const. 1.25	Comments
1	Tie-In	0-0-0 to 22-6-0	0-6-0	Far Face	15 PSF	40 PSF	0 PSF	0 PSF	0 PSF	1' Floor
2	Part. Uniform	0-0-0 to 11-7-8		Top	120 PLF	0 PLF	0 PLF	0 PLF	0 PLF	Wall
3	Part. Uniform	0-0-0 to 11-4-0		Near Face	79 PLF	0 PLF	79 PLF	0 PLF	0 PLF	M2
4	Part. Uniform	0-0-0 to 11-0-0		Top	341 PLF	0 PLF	341 PLF	0 PLF	0 PLF	A2
5	Part. Uniform	11-4-0 to 22-6-0		Near Face	164 PLF	0 PLF	164 PLF	0 PLF	0 PLF	M3
6	Point	11-5-12		Top	2293 lb	0 lb	2293 lb	0 lb	0 lb	B2
	Self Weight				28 PLF					

Notes
 Calculated Structured Designs is responsible only of the structural adequacy of this component based on the design criteria and loadings shown. It is the responsibility of the customer and/or the contractor to ensure the component suitability of the intended application, and to verify the dimensions and loads.

Lumber
 1. Dry service conditions, unless noted otherwise
 2. LVL not to be treated with fire retardant or corrosive chemicals

Handing & Installation
 1. LVL beams must not be cut or drilled
 2. Refer to manufacturer's product information regarding installation requirements, multi-ply fastening details, beam strength values, and code approvals
 3. Damaged Beams must not be used
 4. Design assumes top edge is laterally restrained
 5. Provide lateral support at bearing points to avoid lateral displacement and rotation

6. For flat roofs provide proper drainage to prevent ponding

Manufacturer Info
 Metsä Wood
 301 Merritt 7 Building, 2nd Floor
 Norwalk, CT 06851
 (800) 622-5850
www.metsawood.com/us
 ICC-ES: ESR-3633

Comtech, Inc.
 1001 S. Reilly Road, Suite #639
 Fayetteville, NC
 USA
 28314
 910-864-TRUS



This design is valid until 2/26/2023

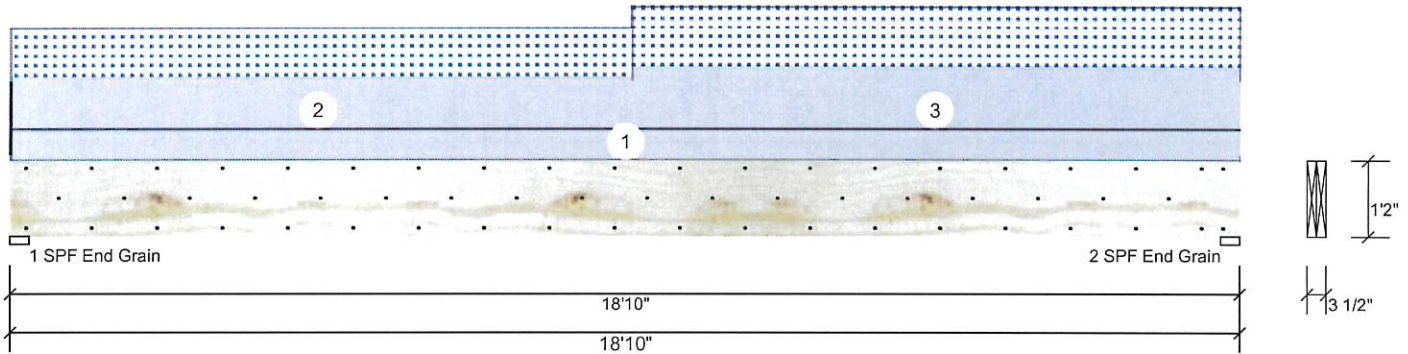


Client: Weaver Homes
 Project: Gaston II (181035B)
 Address: Gaston II (181035B)

Date: 6/24/2020
 Input by: Christine Shivry
 Job Name: Front GDH
 Project #:

Front GDH Kerto-S LVL 1.750" X 14.000" 2-Ply - PASSED

Level: Level



Member Information

Reactions UNPATTERNED lb (Uplift)

Type: Girder
 Plies: 2
 Moisture Condition: Dry
 Deflection LL: 480
 Deflection TL: 360
 Importance: Normal
 Temperature: Temp <= 100°F

Application: Floor
 Design Method: ASD
 Building Code: IBC 2012
 Load Sharing: No
 Deck: Not Checked

Brg	Live	Dead	Snow	Wind	Const
1	0	1619	951	0	0
2	0	1720	1053	0	0

Bearings

Bearing	Length	Cap. React	D/L lb	Total	Ld. Case	Ld. Comb.
1 - SPF End Grain	3.500"	24%	1619 / 951	2570	L	D+S
2 - SPF End Grain	3.500"	26%	1720 / 1053	2773	L	D+S

Analysis Results

Analysis	Actual	Location	Allowed	Capacity	Comb.	Case
Moment	11981 ft-lb	9'8 7/8"	31049 ft-lb	0.386 (39%)	D+S	L
Unbraced	11981 ft-lb	9'8 7/8"	12012 ft-lb	0.997 (100%)	D+S	L
Shear	2347 lb	17'5 1/4"	12021 lb	0.195 (20%)	D+S	L
LL Defl inch	0.181 (L/1218)	9'6 3/16"	0.459 (L/480)	0.390 (39%)	S	L
TL Defl inch	0.483 (L/457)	9'5 13/16"	0.612 (L/360)	0.790 (79%)	D+S	L

Design Notes

- 1 Fasten all plies using 3 rows of 10d Box nails (.128x3") at 12" o.c. Maximum end distance not to exceed 6".
- 2 Refer to last page of calculations for fasteners required for specified loads.
- 3 Girders are designed to be supported on the bottom edge only.
- 4 Top loads must be supported equally by all plies.
- 5 Top must be laterally braced at a maximum of 8'9" o.c.
- 6 Bottom braced at bearings.
- 7 Lateral slenderness ratio based on single ply width.

ID	Load Type	Location	Trib Width	Side	Dead 0.9	Live 1	Snow 1.15	Wind 1.6	Const. 1.25	Comments
1	Uniform			Top	60 PLF	0 PLF	0 PLF	0 PLF	0 PLF	Wall
2	Part. Uniform	0-0-0 to 9-6-0		Top	96 PLF	0 PLF	96 PLF	0 PLF	0 PLF	M2
3	Part. Uniform	9-6-0 to 18-10-0		Top	117 PLF	0 PLF	117 PLF	0 PLF	0 PLF	M3
	Self Weight				11 PLF					

Notes
 Calculated Structured Designs is responsible only of the structural adequacy of this component based on the design criteria and loadings shown. It is the responsibility of the customer and/or the contractor to ensure the component suitability of the intended application, and to verify the dimensions and loads.

Lumber
 1. Dry service conditions, unless noted otherwise
 2. LVL not to be treated with fire retardant or corrosive

Handling & Installation
 1. LVL beams must not be cut or drilled
 2. Refer to manufacturer's product information regarding installation requirements, multi-ply fastening details, beam strength values, and code approvals
 3. Damaged Beams must not be used
 4. Design assumes top edge is laterally restrained
 5. Provide lateral support at bearing points to avoid lateral displacement and rotation

6. For flat roofs provide proper drainage to prevent ponding

This design is valid until 2/26/2023

Manufacturer Info
 Metsä Wood
 301 Merritt 7 Building, 2nd Floor
 Norwalk, CT 06851
 (800) 622-5850
www.metsawood.com/us
 ICC-ES: ESR-3633

Comtech, Inc.
 1001 S. Reilly Road, Suite #639
 Fayetteville, NC
 USA
 28314
 910-864-TRUS

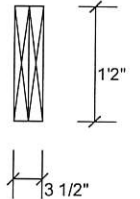
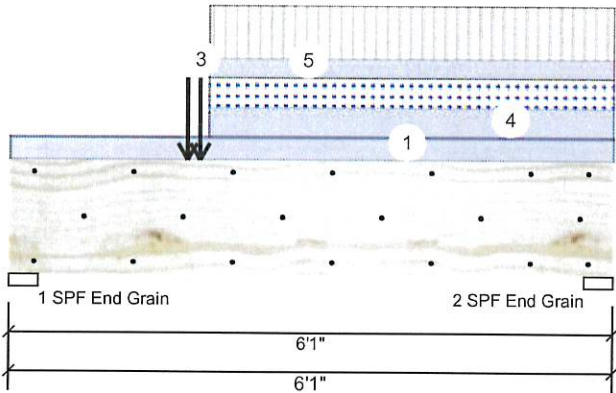




Client: Weaver Development
 Project: Gaston II (181035B)
 Address: Gaston II (181035B)

Date: 6/24/2020
 Input by: Christine Shivy
 Job Name: Window Hdr.
 Project #:

Window Hdr. Kerto-S LVL 1.750" X 14.000" 2-Ply - PASSED Level: Level



Member Information

Type: Girder
 Plies: 2
 Moisture Condition: Dry
 Deflection LL: 480
 Deflection TL: 360
 Importance: Normal
 Temperature: Temp <= 100°F

Application: Floor
 Design Method: ASD
 Building Code: IBC/IRC 2015
 Load Sharing: No
 Deck: Not Checked

Reactions UNPATTERNED lb (Uplift)

Brg	Live	Dead	Snow	Wind	Const
1	2560	3110	1843	0	0
2	1638	2098	1137	0	0

Bearings

Bearing	Length	Cap.	React D/L lb	Total	Ld. Case	Ld. Comb.
1 - SPF End Grain	3.500"	60%	3110 / 3302	6412	L	D+0.75(L+S)
2 - SPF End Grain	3.500"	39%	2098 / 2082	4179	L	D+0.75(L+S)

Analysis Results

Analysis	Actual	Location	Allowed	Capacity	Comb.	Case
Moment	10167 ft-lb	1'11"	31049 ft-lb	0.327 (33%)	D+0.75(L+S)	L
Unbraced	10167 ft-lb	1'11"	17799 ft-lb	0.571 (57%)	D+0.75(L+S)	L
Shear	5480 lb	1'4 3/4"	10453 lb	0.524 (52%)	D+L	L
LL Defl inch	0.027 (L/2482)	2'5 1/4"	0.141 (L/480)	0.190 (19%)	0.75(L+S)	L
TL Defl inch	0.053 (L/1280)	2'5 11/16"	0.188 (L/360)	0.280 (28%)	D+0.75(L+S)	L

Design Notes

- 1 Fasten all plies using 3 rows of 10d Box nails (.128x3") at 12" o.c. Maximum end distance not to exceed 6".
- 2 Refer to last page of calculations for fasteners required for specified loads.
- 3 Girders are designed to be supported on the bottom edge only.
- 4 Top loads must be supported equally by all plies.
- 5 Top braced at bearings.
- 6 Bottom braced at bearings.
- 7 Lateral slenderness ratio based on single ply width.

ID	Load Type	Location	Trib Width	Side	Dead 0.9	Live 1	Snow 1.15	Wind 1.6	Const. 1.25	Comments
1	Uniform			Top	125 PLF	0 PLF	0 PLF	0 PLF	0 PLF	Wall
2	Point	1-9-8		Top	1005 lb	3014 lb	0 lb	0 lb	0 lb	F8
3	Point	1-11-0		Top	2335 lb	0 lb	2335 lb	0 lb	0 lb	C3
4	Part. Uniform	2-0-0 to 6-1-0		Top	158 PLF	0 PLF	158 PLF	0 PLF	0 PLF	C2
5	Part. Uniform	2-0-0 to 6-1-0		Top	97 PLF	290 PLF	0 PLF	0 PLF	0 PLF	F7
	Self Weight				11 PLF					

Notes
 Calculated Structured Designs is responsible only of the structural adequacy of this component based on the design criteria and loadings shown. It is the responsibility of the customer and/or the contractor to ensure the component suitability of the intended application, and to verify the dimensions and loads.

Lumber
 1. Dry service conditions, unless noted otherwise
 2. LVL not to be treated with fire retardant or corrosive chemicals

Handling & Installation
 1. LVL beams must not be cut or drilled
 2. Refer to manufacturer's product information regarding installation requirements, multi-ply fastening details, beam strength values, and code approvals
 3. Damaged Beams must not be used
 4. Design assumes top edge is laterally restrained
 5. Provide lateral support at bearing points to avoid lateral displacement and rotation

6. For flat roofs provide proper drainage to prevent ponding

Manufacturer Info
 Metsä Wood
 301 Merritt 7 Building, 2nd Floor
 Norwalk, CT 06851
 (800) 622-5850
www.metsawood.com/us
 ICC-ES: ESR-3633

Comtech, Inc.
 1001 S. Reilly Road, Suite #639
 Fayetteville, NC
 USA
 28314
 910-864-TRUS



This design is valid until 2/26/2023

RE: J0620-2872
 Weaver

Trenco
 818 Soundside Rd
 Edenton, NC 27932

Site Information:

Customer: Project Name: J0620-2872
 Lot/Block: Model:
 Address: Subdivision:
 City: State:

General Truss Engineering Criteria & Design Loads (Individual Truss Design Drawings Show Special Loading Conditions):

Design Code: IRC2009/TPI2007 Design Program: MiTek 20/20 8.3
 Wind Code: ASCE 7-05 Wind Speed: 110 mph
 Roof Load: 40.0 psf Floor Load: N/A psf

This package includes 29 individual, dated Truss Design Drawings and 0 Additional Drawings.

No.	Seal#	Truss Name	Date	No.	Seal#	Truss Name	Date
1	E14484697	A1	6/24/2020	21	E14484717	P3	6/24/2020
2	E14484698	A2	6/24/2020	22	E14484718	VB-1	6/24/2020
3	E14484699	A3	6/24/2020	23	E14484719	VB-2	6/24/2020
4	E14484700	A4	6/24/2020	24	E14484720	VB-3	6/24/2020
5	E14484701	A5	6/24/2020	25	E14484721	VB-4	6/24/2020
6	E14484702	B1	6/24/2020	26	E14484722	VB-5	6/24/2020
7	E14484703	B2	6/24/2020	27	E14484723	VC-1	6/24/2020
8	E14484704	C1	6/24/2020	28	E14484724	VC-2	6/24/2020
9	E14484705	C2	6/24/2020	29	E14484725	VC-3	6/24/2020
10	E14484706	C3	6/24/2020				
11	E14484707	D1	6/24/2020				
12	E14484708	D2	6/24/2020				
13	E14484709	M1	6/24/2020				
14	E14484710	M2	6/24/2020				
15	E14484711	M3	6/24/2020				
16	E14484712	M4	6/24/2020				
17	E14484713	M5	6/24/2020				
18	E14484714	M6	6/24/2020				
19	E14484715	P1	6/24/2020				
20	E14484716	P2	6/24/2020				

The truss drawing(s) referenced above have been prepared by Truss Engineering Co. under my direct supervision based on the parameters provided by Comtech, Inc - Fayetteville. Truss Design Engineer's Name: Gilbert, Eric My license renewal date for the state of North Carolina is December 31, 2020. North Carolina COA: C-0844

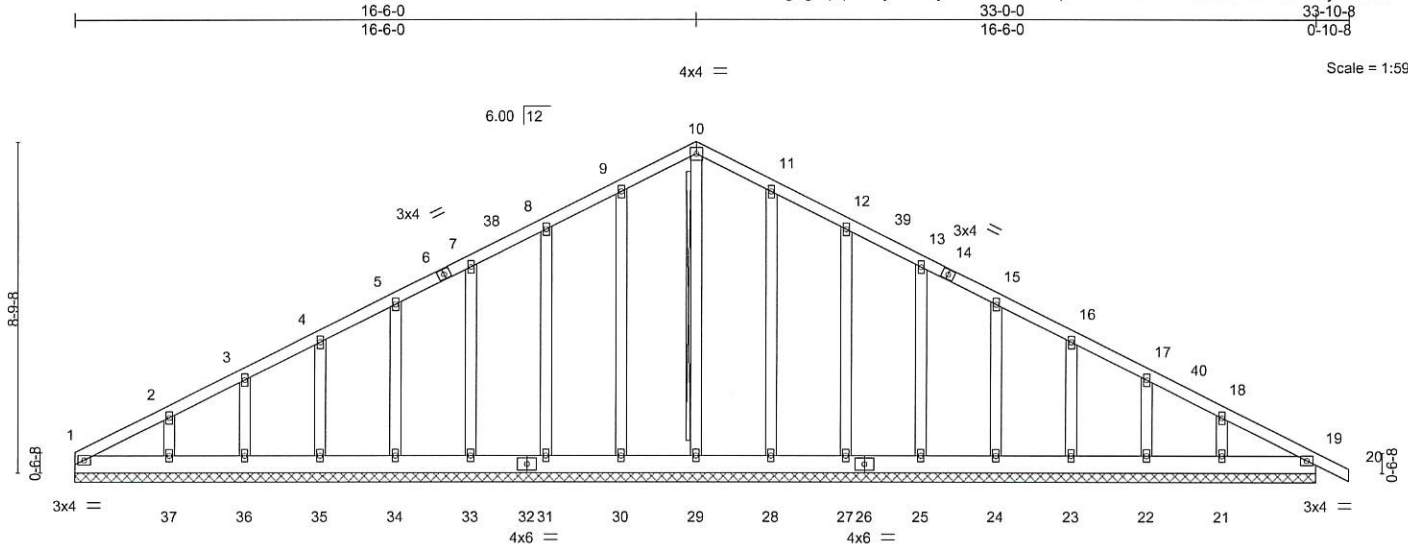
IMPORTANT NOTE: The seal on these truss component designs is a certification that the engineer named is licensed in the jurisdiction(s) identified and that the designs comply with ANSI/TPI 1. These designs are based upon parameters shown (e.g., loads, supports, dimensions, shapes and design codes), which were given to TRENCO. Any project specific information included is for TRENCO customers file reference purpose only, and was not taken into account in the preparation of these designs. TRENCO has not independently verified the applicability of the design parameters or the designs for any particular building. Before use, the building designer should verify applicability of design parameters and properly incorporate these designs into the overall building design per ANSI/TPI 1, Chapter 2.



Job J0620-2872	Truss A1	Truss Type COMMON SUPPORTED GAB	Qty 1	Ply 1	Weaver Job Reference (optional)	E14484697
-------------------	-------------	------------------------------------	----------	----------	------------------------------------	-----------

Comtech, Inc. Fayetteville, NC - 28314,

8.330 s May 6 2020 MiTek Industries, Inc. Mon Jun 8 10:33:08 2020 Page 1
ID:BoL?hgXglYppwdOiyUmcQyz41fz-oCo5b9?qGwaKxH2lMTYAGFolw7zn7m2LILlyXz8N79



Scale = 1:59.0

LOADING (psf)	SPACING- 2-0-0	CSI.	DEFL.	in (loc)	l/defl	L/d	PLATES	GRIP
TCLL 20.0	Plate Grip DOL 1.15	TC 0.06	Vert(LL)	-0.00	19	n/r	MT20	244/190
TCDL 10.0	Lumber DOL 1.15	BC 0.03	Vert(CT)	0.00	19	n/r		
BCLL 0.0 *	Rep Stress Incr YES	WB 0.12	Horz(CT)	0.01	19	n/a		
BCDL 10.0	Code IRC2015/TPI2014	Matrix-S						
							Weight: 231 lb	FT = 20%

LUMBER-	BRACING-
TOP CHORD 2x4 SP No.1	TOP CHORD Structural wood sheathing directly applied or 6-0-0 oc purlins.
BOT CHORD 2x6 SP No.1	BOT CHORD Rigid ceiling directly applied or 10-0-0 oc bracing.
OTHERS 2x4 SP No.2	WEBS T-Brace: 2x4 SPF No.2 - 10-29
	Fasten (2X) T and I braces to narrow edge of web with 10d (0.131"x3") nails, 6in o.c., with 3in minimum end distance.
	Brace must cover 90% of web length.

REACTIONS. All bearings 33-0-0.
 (lb) - Max Horz 1=181(LC 17)
 Max Uplift All uplift 100 lb or less at joint(s) 1, 30, 31, 33, 34, 35, 36, 28, 27, 25, 24, 23, 22, 21 except 37=106(LC 12)
 Max Grav All reactions 250 lb or less at joint(s) 1, 29, 30, 31, 33, 34, 35, 36, 37, 28, 27, 25, 24, 23, 22, 21, 19

FORCES. (lb) - Max. Comp./Max. Ten. - All forces 250 (lb) or less except when shown.
 TOP CHORD 8-9=-89/266, 9-10=-109/319, 10-11=-109/319, 11-12=-89/267

- NOTES-**
- Unbalanced roof live loads have been considered for this design.
 - Wind: ASCE 7-10; Vult=130mph (3-second gust) Vasd=103mph; TCDL=6.0psf; BCDL=6.0psf; h=15ft; Cat. II; Exp C; Enclosed; MWFRS (envelope) gable end zone and C-C Corner(3) 0-0-0 to 4-6-0, Exterior(2) 4-6-0 to 16-6-0, Corner(3) 16-6-0 to 20-10-13, Exterior(2) 20-10-13 to 33-10-8 zone; C-C for members and forces & MWFRS for reactions shown; Lumber DOL=1.60 plate grip DOL=1.60
 - Truss designed for wind loads in the plane of the truss only. For studs exposed to wind (normal to the face), see Standard Industry Gable End Details as applicable, or consult qualified building designer as per ANSI/TPI 1.
 - All plates are 2x4 MT20 unless otherwise indicated.
 - Gable requires continuous bottom chord bearing.
 - Gable studs spaced at 2-0-0 oc.
 - This truss has been designed for a 10.0 psf bottom chord live load nonconcurrent with any other live loads.
 - * This truss has been designed for a live load of 30.0psf on the bottom chord in all areas where a rectangle 3-6-0 tall by 2-0-0 wide will fit between the bottom chord and any other members.
 - Provide mechanical connection (by others) of truss to bearing plate capable of withstanding 100 lb uplift at joint(s) 1, 30, 31, 33, 34, 35, 36, 28, 27, 25, 24, 23, 22, 21 except (jt=lb) 37=106.
 - Warning: Additional permanent and stability bracing for truss system (not part of this component design) is always required.



June 8, 2020

Job	Truss	Truss Type	Qty	Ply	Job Reference (optional)
J0620-2872	A2	COMMON	5	1	

E14484698

Comtech, Inc, Fayetteville, NC - 28314,

8.330 s May 6 2020 MiTek Industries, Inc. Mon Jun 8 10:33:09 2020 Page 1

ID:BoL?hgXglYpqwdOiyUmcQyz41fz-GOMTpV?T1DiBYRdxQ4_njTouJm3WY8BZM4vUzz8N78



Scale = 1:58.0

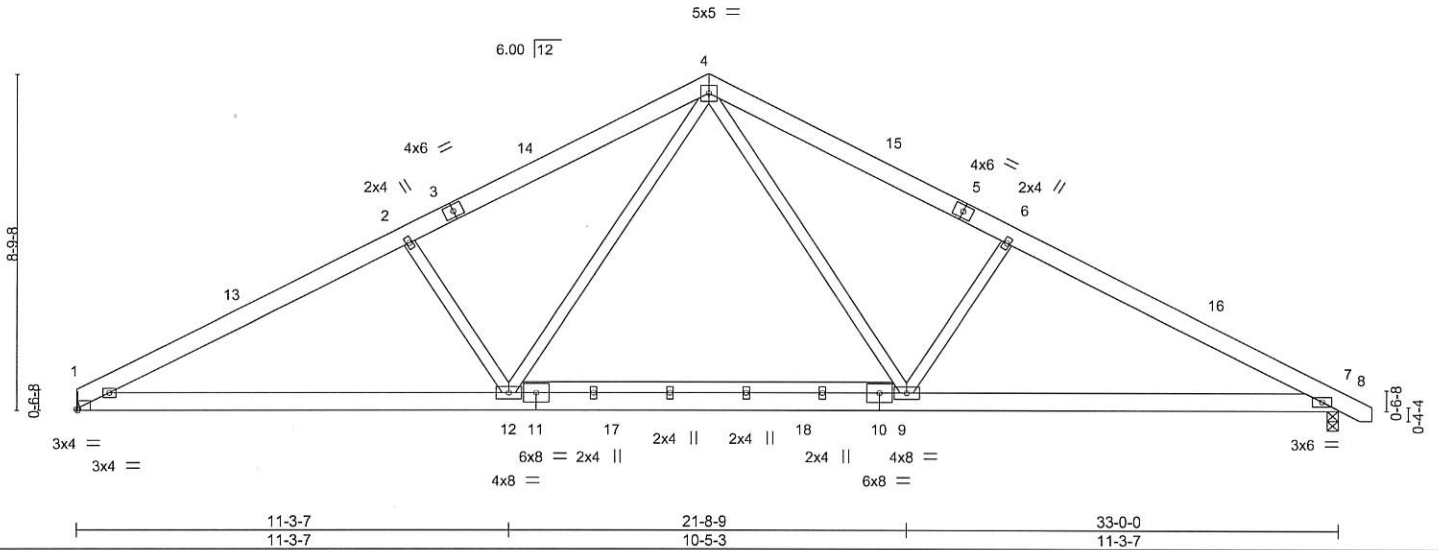


Plate Offsets (X,Y)--	[1:0-0-6,Edge]
-----------------------	----------------

LOADING (psf)	SPACING-	CSI.	DEFL.	PLATES	GRIP
TCLL 20.0	2-0-0	TC 0.33	in (loc) l/defl L/d	MT20	244/190
TCDL 10.0	Plate Grip DOL 1.15	BC 0.49	Vert(LL) -0.21 9-12 >999 360		
BCLL 0.0 *	Lumber DOL 1.15	WB 0.24	Vert(CT) -0.28 9-12 >999 240		
BCDL 10.0	Rep Stress Incr YES	Matrix-S	Horz(CT) 0.05 7 n/a n/a		
	Code IRC2015/TPI2014		Wind(LL) 0.05 1-12 >999 240		
				Weight: 223 lb	FT = 20%

LUMBER-

TOP CHORD 2x6 SP No.1
 BOT CHORD 2x6 SP No.1
 WEBS 2x4 SP No.2

BRACING-

TOP CHORD Structural wood sheathing directly applied or 4-8-4 oc purlins.
 BOT CHORD Rigid ceiling directly applied or 10-0-0 oc bracing.

REACTIONS.

(size) 1=Mechanical, 7=0-3-8
 Max Horz 1=-113(LC 8)
 Max Uplift 1=-79(LC 12), 7=-91(LC 13)
 Max Grav 1=1311(LC 1), 7=1364(LC 1)

FORCES.

(lb) - Max. Comp./Max. Ten. - All forces 250 (lb) or less except when shown.
 TOP CHORD 1-2=-2297/531, 2-4=-2064/545, 4-6=-2055/529, 6-7=-2283/512
 BOT CHORD 1-12=-347/2015, 9-12=-110/1324, 7-9=-344/1965
 WEBS 4-9=-142/850, 6-9=-495/297, 4-12=-145/865, 2-12=-509/305

NOTES-

- 1) Unbalanced roof live loads have been considered for this design.
- 2) Wind: ASCE 7-10; Vult=130mph (3-second gust) Vasd=103mph; TCCL=6.0psf; BCCL=6.0psf; h=15ft; Cat. II; Exp C; Enclosed; MWFRS (envelope) and C-C Exterior(2) 0-0-12 to 4-5-9, Interior(1) 4-5-9 to 16-6-0, Exterior(2) 16-6-0 to 20-10-13, Interior(1) 20-10-13 to 33-8-10 zone; C-C for members and forces & MWFRS for reactions shown; Lumber DOL=1.60 plate grip DOL=1.60
- 3) This truss has been designed for a 10.0 psf bottom chord live load nonconcurrent with any other live loads.
- 4) * This truss has been designed for a live load of 30.0psf on the bottom chord in all areas where a rectangle 3-6-0 tall by 2-0-0 wide will fit between the bottom chord and any other members, with BCCL = 10.0psf.
- 5) Refer to girder(s) for truss to truss connections.
- 6) Provide mechanical connection (by others) of truss to bearing plate capable of withstanding 100 lb uplift at joint(s) 1, 7.



June 8, 2020

WARNING - Verify design parameters and READ NOTES ON THIS AND INCLUDED MITEK REFERENCE PAGE MI-7473 rev. 10/03/2015 BEFORE USE.

Design valid for use only with MiTek® connectors. This design is based only upon parameters shown, and is for an individual building component, not a truss system. Before use, the building designer must verify the applicability of design parameters and properly incorporate this design into the overall building design. Bracing indicated is to prevent buckling of individual truss web and/or chord members only. Additional temporary and permanent bracing is always required for stability and to prevent collapse with possible personal injury and property damage. For general guidance regarding the fabrication, storage, delivery, erection and bracing of trusses and truss systems, see **ANSI/TPI1 Quality Criteria, DSB-89 and BCSI Building Component Safety Information** available from Truss Plate Institute, 218 N. Lee Street, Suite 312, Alexandria, VA 22314.



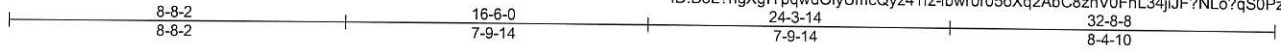
818 Soundside Road
 Edenton, NC 27932

Job J0620-2872	Truss A3	Truss Type COMMON	Qty 2	Ply 1	Job Reference (optional) E14484699
-------------------	-------------	----------------------	----------	----------	---------------------------------------

Comtech, Inc, Fayetteville, NC - 28314,

8.330 s May 6 2020 MiTek Industries, Inc. Mon Jun 8 10:33:10 2020 Page 1

ID:BoL?hgXglYpqwdOiyUmcQyz41fz-lbwr0r05oXq2AbC8znV0FhL34jiJF?NL0?qS0Pz8N77



Scale = 1:57.3

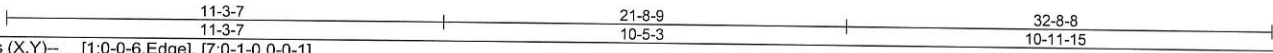
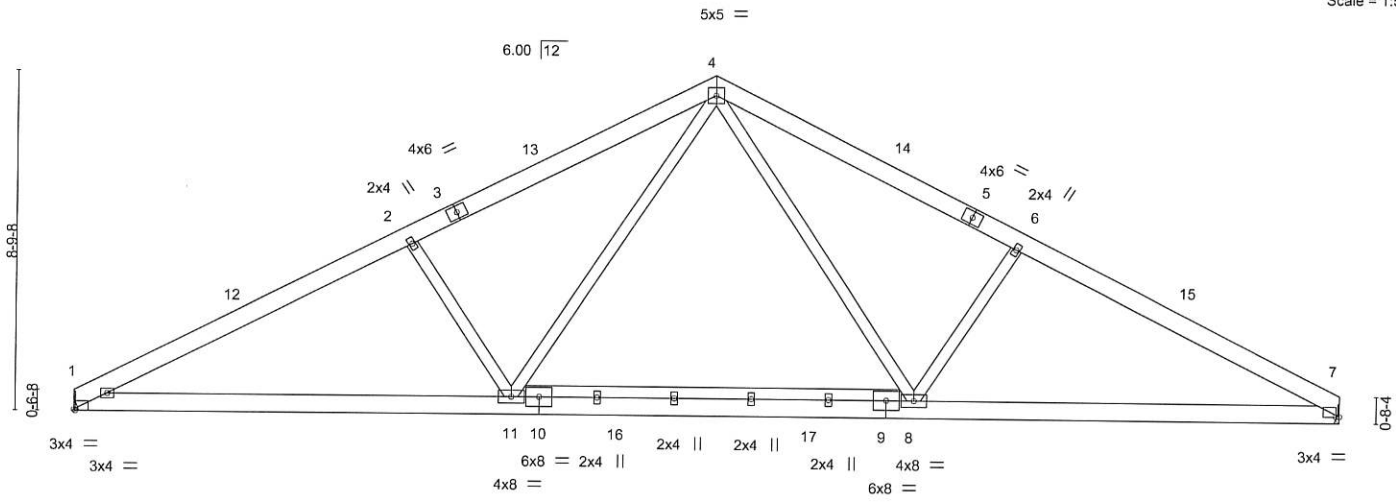


Plate Offsets (X,Y) - [1:0-0-6,Edge], [7:0-1-0,0-0-1]

LOADING (psf)	SPACING-	2-0-0	CSI.	DEFL.	in	(loc)	l/defl	L/d	PLATES	GRIP
TCLL 20.0	Plate Grip DOL	1.15	TC 0.33	Vert(LL)	-0.20	8-11	>999	360	MT20	244/190
TCDL 10.0	Lumber DOL	1.15	BC 0.48	Vert(CT)	-0.28	8-11	>999	240		
BCLL 0.0 *	Rep Stress Incr	YES	WB 0.24	Horz(CT)	0.05	7	n/a	n/a		
BCDL 10.0	Code IRC2015/TPI2014		Matrix-S	Wind(LL)	0.05	1-11	>999	240		
									Weight: 220 lb	FT = 20%

LUMBER-
 TOP CHORD 2x6 SP No.1
 BOT CHORD 2x6 SP No.1
 WEBS 2x4 SP No.2

BRACING-
 TOP CHORD Structural wood sheathing directly applied or 4-8-9 oc purlins.
 BOT CHORD Rigid ceiling directly applied or 10-0-0 oc bracing.

REACTIONS. (size) 1=Mechanical, 7=Mechanical
 Max Horz 1=-108(LC 8)
 Max Uplift 1=-79(LC 12), 7=-78(LC 13)
 Max Grav 1=1303(LC 1), 7=1303(LC 1)

FORCES. (lb) - Max. Comp./Max. Ten. - All forces 250 (lb) or less except when shown.
 TOP CHORD 1-2=-2280/528, 2-4=-2048/543, 4-6=-2021/538, 6-7=-2242/521
 BOT CHORD 1-11=-354/1997, 8-11=-116/1306, 7-8=-347/1920
 WEBS 4-8=-139/822, 6-8=-473/295, 4-11=-145/866, 2-11=-509/305

- NOTES-**
- Unbalanced roof live loads have been considered for this design.
 - Wind: ASCE 7-10; Vult=130mph (3-second gust) Vasd=103mph; TCDL=6.0psf, BCDL=6.0psf; h=15ft; Cat. II; Exp C; Enclosed; MWFRS (envelope) and C-C Exterior(2) 0-0-12 to 4-5-9, Interior(1) 4-5-9 to 16-6-0, Exterior(2) 16-6-0 to 20-10-13, Interior(1) 20-10-13 to 32-7-12 zone; C-C for members and forces & MWFRS for reactions shown; Lumber DOL=1.60 plate grip DOL=1.60
 - This truss has been designed for a 10.0 psf bottom chord live load nonconcurrent with any other live loads.
 - * This truss has been designed for a live load of 30.0psf on the bottom chord in all areas where a rectangle 3-6-0 tall by 2-0-0 wide will fit between the bottom chord and any other members, with BCDL = 10.0psf.
 - Refer to girder(s) for truss to truss connections.
 - Provide mechanical connection (by others) of truss to bearing plate capable of withstanding 100 lb uplift at joint(s) 1, 7.



June 8, 2020

WARNING - Verify design parameters and READ NOTES ON THIS AND INCLUDED MITEK REFERENCE PAGE MII-7473 rev. 10/03/2015 BEFORE USE.
 Design valid for use only with MiTek® connectors. This design is based only upon parameters shown, and is for an individual building component, not a truss system. Before use, the building designer must verify the applicability of design parameters and properly incorporate this design into the overall building design. Bracing indicated is to prevent buckling of individual truss web and/or chord members only. Additional temporary and permanent bracing is always required for stability and to prevent collapse with possible personal injury and property damage. For general guidance regarding the fabrication, storage, delivery, erection and bracing of trusses and truss systems, see **ANSI/TPIH Quality Criteria, DSB-89 and BCSI Building Component Safety Information** available from Truss Plate Institute, 218 N. Lee Street, Suite 312, Alexandria, VA 22314.

ENGINEERING BY
TRENCO
 A MiTek Affiliate
 818 Soundside Road
 Edenton, NC 27932

Job J0620-2872	Truss A4	Truss Type COMMON	Qty 4	Ply 1	Job Reference (optional)	E14484700
-------------------	-------------	----------------------	----------	----------	--------------------------	-----------

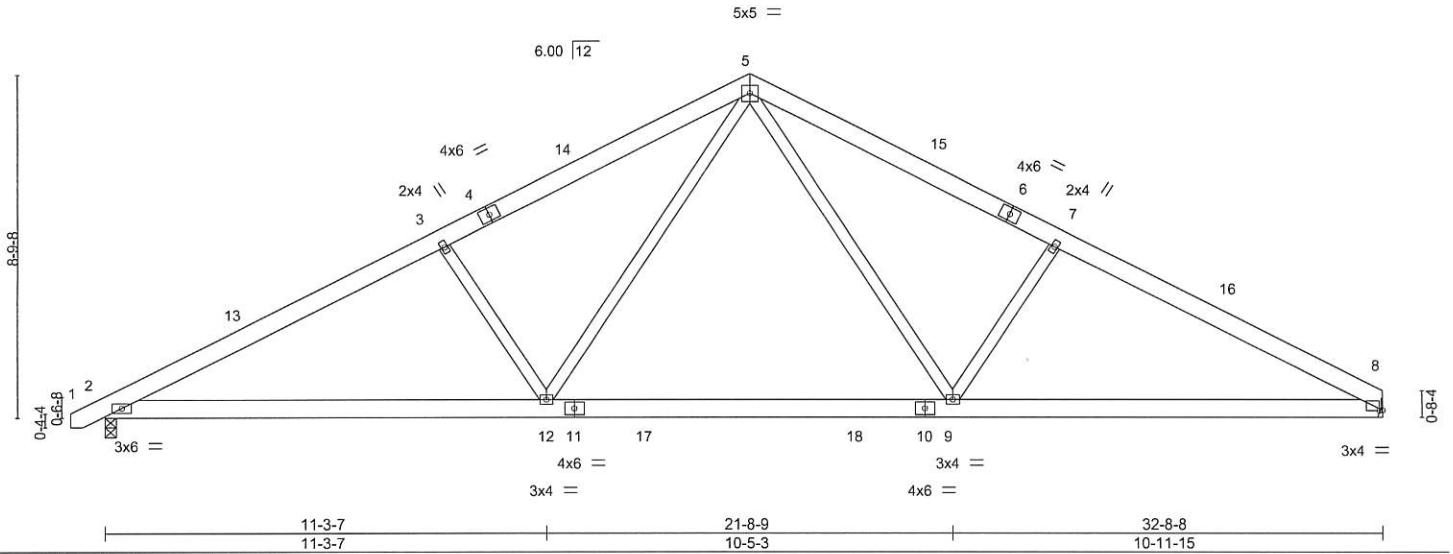
Comtech, Inc. Fayetteville, NC - 28314,

8.330 s May 6 2020 MiTek Industries, Inc. Mon Jun 8 10:33:11 2020 Page 1

ID:BoL?hgXglYpqqwOiyUmcQyz41fz-DnUDEB1jZryvolnKXV0FoutF472Q_SjU1fZ?Zsz8N76



Scale = 1:56.8



LOADING (psf)	SPACING- 2-0-0	CSI.	DEFL. in (loc) l/defl L/d	PLATES	GRIP
TCLL 20.0	Plate Grip DOL 1.15	TC 0.31	Vert(LL) -0.22 9-12 >999 360	MT20	244/190
TCDL 10.0	Lumber DOL 1.15	BC 0.49	Vert(CT) -0.29 9-12 >999 240		
BCLL 0.0 *	Rep Stress Incr YES	WB 0.23	Horz(CT) 0.05 8 n/a n/a		
BCDL 10.0	Code IRC2015/TPI2014	Matrix-S	Wind(LL) 0.05 2-12 >999 240		
				Weight: 207 lb	FT = 20%

LUMBER-

TOP CHORD 2x6 SP No.1
BOT CHORD 2x6 SP No.1
WEBS 2x4 SP No.2

BRACING-

TOP CHORD Structural wood sheathing directly applied or 4-9-10 oc purlins.
BOT CHORD Rigid ceiling directly applied or 10-0-0 oc bracing.

REACTIONS.

(size) 2=0-3-8, 8=Mechanical
Max Horz 2=113(LC 9)
Max Uplift 2=-91(LC 12), 8=-78(LC 13)
Max Grav 2=1352(LC 1), 8=1299(LC 1)

FORCES. (lb) - Max. Comp./Max. Ten. - All forces 250 (lb) or less except when shown.

TOP CHORD 2-3=-2261/507, 3-5=-2051/524, 5-7=-2034/536, 7-8=-2238/519
BOT CHORD 2-12=-347/1992, 9-12=-113/1312, 8-9=-341/1925
WEBS 5-9=-137/833, 7-9=-473/294, 5-12=-141/861, 3-12=-495/297

NOTES-

- 1) Unbalanced roof live loads have been considered for this design.
- 2) Wind: ASCE 7-10; Vult=130mph (3-second gust) Vasd=103mph; TCDL=6.0psf; BCDL=6.0psf; h=15ft; Cat. II; Exp C; Enclosed; MWFRS (envelope) and C-C Exterior(2) -0-8-10 to 3-8-3, Interior(1) 3-8-3 to 16-6-0, Exterior(2) 16-6-0 to 20-10-13, Interior(1) 20-10-13 to 32-7-12 zone; C-C for members and forces & MWFRS for reactions shown; Lumber DOL=1.60 plate grip DOL=1.60
- 3) This truss has been designed for a 10.0 psf bottom chord live load nonconcurrent with any other live loads.
- 4) * This truss has been designed for a live load of 30.0psf on the bottom chord in all areas where a rectangle 3-6-0 tall by 2-0-0 wide will fit between the bottom chord and any other members, with BCDL = 10.0psf.
- 5) Refer to girder(s) for truss to truss connections.
- 6) Provide mechanical connection (by others) of truss to bearing plate capable of withstanding 100 lb uplift at joint(s) 2, 8.



June 8, 2020

WARNING - Verify design parameters and READ NOTES ON THIS AND INCLUDED MITEK REFERENCE PAGE MII-7473 rev. 10/03/2015 BEFORE USE.

Design valid for use only with MiTek® connectors. This design is based only upon parameters shown, and is for an individual building component, not a truss system. Before use, the building designer must verify the applicability of design parameters and properly incorporate this design into the overall building design. Bracing indicated is to prevent buckling of individual truss web and/or chord members only. Additional temporary and permanent bracing is always required for stability and to prevent collapse with possible personal injury and property damage. For general guidance regarding the fabrication, storage, delivery, erection and bracing of trusses and truss systems, see **ANSI/TPI1 Quality Criteria, DSB-89 and BCSI Building Component Safety Information** available from Truss Plate Institute, 218 N. Lee Street, Suite 312, Alexandria, VA 22314.

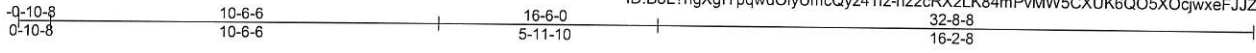


818 Soundside Road
Edenton, NC 27932

Job J0620-2872	Truss A5	Truss Type KINGPOST	Qty 1	Ply 1	Job Reference (optional)	E14484701
-------------------	-------------	------------------------	----------	----------	--------------------------	-----------

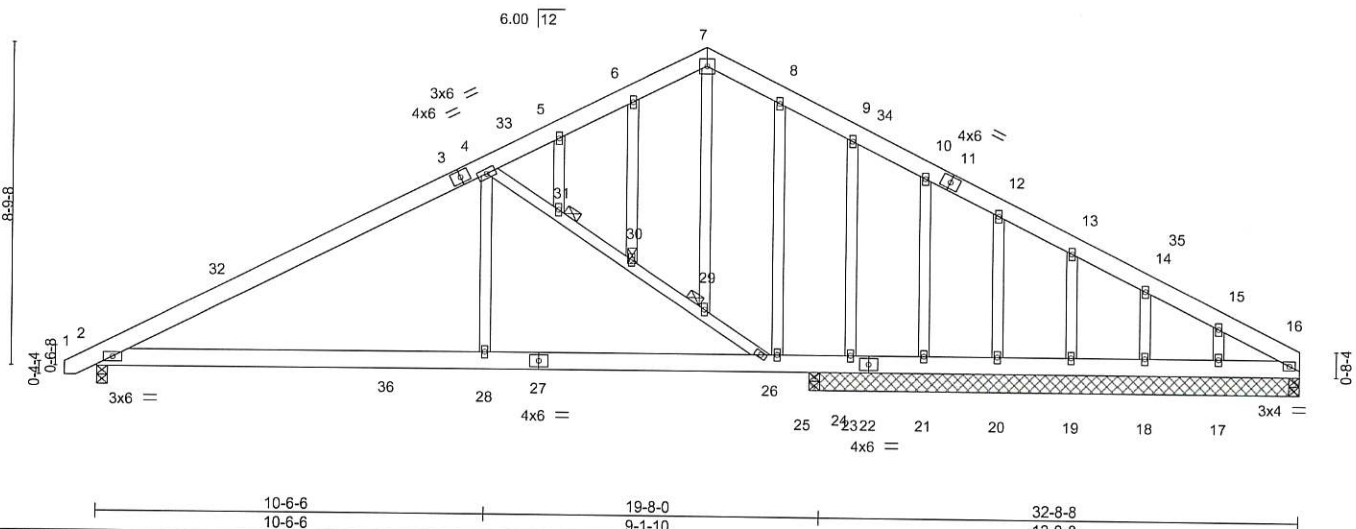
Comtech, Inc. Fayetteville, NC - 28314,

8.330 s May 6 2020 MiTek Industries, Inc. Mon Jun 8 10:33:12 2020 Page 1
ID:BoL?hgXglYpqwdOiyUmcQyz41fz-hz2cRX2LK84mPvMW5CXUK6QO5XOcjwxfJJZ5Iz8N75



5x5 =

Scale = 1:60.3



LOADING (psf)	SPACING-	CSI.	DEFL.	PLATES	GRIP
TCLL 20.0	2-0-0	TC 0.42	in (loc) l/defl L/d	MT20	244/190
TCDL 10.0	Plate Grip DOL 1.15	BC 0.43	Vert(LL) -0.08 2-28 >999 360		
BCLL 0.0 *	Lumber DOL 1.15	WB 0.17	Vert(CT) -0.17 2-28 >999 240		
BCDL 10.0	Rep Stress Incr YES	Matrix-S	Horz(CT) 0.02 16 n/a n/a		
	Code IRC2015/TPI2014		Wind(LL) 0.07 2-28 >999 240	Weight: 246 lb	FT = 20%

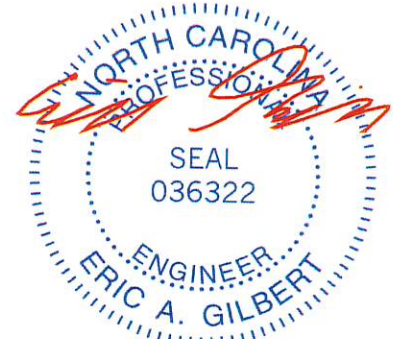
LUMBER-
TOP CHORD 2x6 SP No.1
BOT CHORD 2x6 SP No.1
WEBS 2x4 SP No.2

BRACING-
TOP CHORD Structural wood sheathing directly applied or 6-0-0 oc purlins.
BOT CHORD Rigid ceiling directly applied or 10-0-0 oc bracing.
JOINTS 1 Brace at Jt(s): 29, 30, 31

REACTIONS. All bearings 13-4-0 except (jt=length) 2=0-3-8, 16=0-3-8, 16=0-3-8, 24=0-3-8.
(lb) - Max Horz 2=180(LC 16)
Max Uplift All uplift 100 lb or less at joint(s) 21, 20, 19, 18 except 2=192(LC 12), 23=491(LC 19), 17=114(LC 13), 24=297(LC 12)
Max Grav All reactions 250 lb or less at joint(s) 23, 21, 20, 19, 18, 17, 16, 16 except 2=848(LC 1), 24=1302(LC 1)

FORCES. (lb) - Max. Comp./Max. Ten. - All forces 250 (lb) or less except when shown.
TOP CHORD 2-4=-1128/201, 4-5=-292/128, 14-15=-251/0, 15-16=-294/21
BOT CHORD 2-28=-203/943, 26-28=-202/948, 25-26=-17/266, 24-25=-17/266, 23-24=-17/266, 21-23=-17/266, 20-21=-17/266, 19-20=-17/266, 18-19=-17/266, 17-18=-17/266, 16-17=-17/266
WEBS 4-31=-927/384, 30-31=-905/365, 29-30=-923/382, 26-29=-932/381, 4-28=0/455, 9-23=-263/134

- NOTES-**
- 1) Unbalanced roof live loads have been considered for this design.
 - 2) Wind: ASCE 7-10; Vult=130mph (3-second gust) Vasd=103mph; TCDL=6.0psf; BCDL=6.0psf; h=15ft; Cat. II; Exp C; Enclosed; MWFRS (envelope) gable end zone and C-C Exterior(2) -0-8-10 to 3-8-3, Interior(1) 3-8-3 to 16-6-0, Exterior(2) 16-6-0 to 20-10-13, Interior(1) 20-10-13 to 32-6-12 zone; C-C for members and forces & MWFRS for reactions shown; Lumber DOL=1.60 plate grip DOL=1.60
 - 3) All plates are 2x4 MT20 unless otherwise indicated.
 - 4) This truss has been designed for a 10.0 psf bottom chord live load nonconcurrent with any other live loads.
 - 5) * This truss has been designed for a live load of 30.0psf on the bottom chord in all areas where a rectangle 3-6-0 tall by 2-0-0 wide will fit between the bottom chord and any other members, with BCDL = 10.0psf.
 - 6) Provide mechanical connection (by others) of truss to bearing plate capable of withstanding 100 lb uplift at joint(s) 21, 20, 19, 18 except (jt=lb) 2=192, 23=491, 17=114, 24=297.



June 8, 2020

WARNING - Verify design parameters and READ NOTES ON THIS AND INCLUDED MITEK REFERENCE PAGE MII-7473 rev. 10/03/2015 BEFORE USE.
Design valid for use only with MiTek® connectors. This design is based only upon parameters shown, and is for an individual building component, not a truss system. Before use, the building designer must verify the applicability of design parameters and properly incorporate this design into the overall building design. Bracing indicated is to prevent buckling of individual truss web and/or chord members only. Additional temporary and permanent bracing is always required for stability and to prevent collapse with possible personal injury and property damage. For general guidance regarding the fabrication, storage, delivery, erection and bracing of trusses and truss systems, see **ANSI/TPI1 Quality Criteria, DSB-89 and BCSI Building Component Safety Information** available from Truss Plate Institute, 218 N. Lee Street, Suite 312, Alexandria, VA 22314.

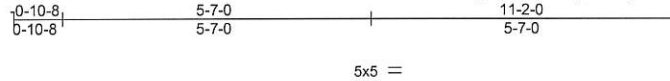
ENGINEERING BY
TRENCO
A MiTek Affiliate
818 Soundside Road
Edenton, NC 27932

Job	Truss	Truss Type	Qty	Ply	Job Reference (optional)
J0620-2872	B1	COMMON SUPPORTED GAB	1	1	

E14484702

Comtech, Inc. Fayetteville, NC - 28314,

8.330 s May 6 2020 MiTek Industries, Inc. Mon Jun 8 10:33:13 2020 Page 1
ID: Bol?hgXglYpawdOiyUmcQyz41fz-99c_es3z5SCd13xifv2Jz1xqFSPxnUz26dkz8N74



Scale = 1:40.1

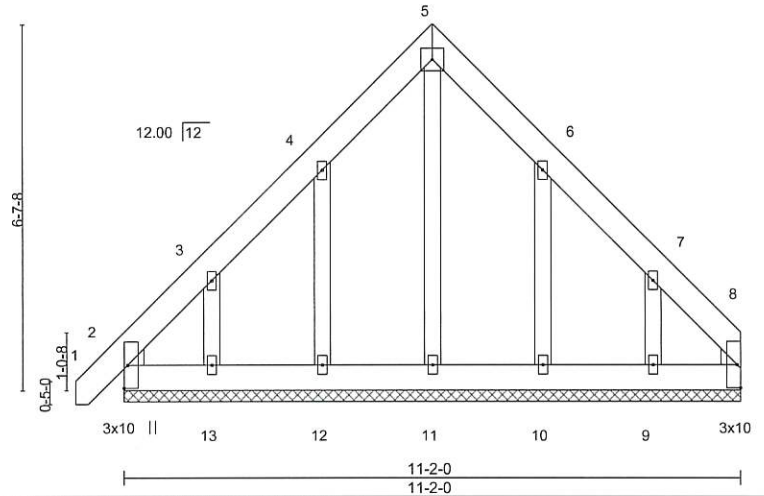


Plate Offsets (X, Y)-- [2:0-0-6,0-0-6], [2:0-0-12,0-3-1], [8:0-0-6,0-0-6], [8:0-0-12,0-3-1]

LOADING (psf)	SPACING-	CSI.	DEFL.	in (loc)	l/defl	L/d	PLATES	GRIP
TCLL 20.0	Plate Grip DOL 2-0-0	TC 0.03	Vert(LL) -0.00	1	n/r	120	MT20	244/190
TCDL 10.0	Lumber DOL 1.15	BC 0.02	Vert(CT) -0.00	1	n/r	120		
BCLL 0.0 *	Rep Stress Incr YES	WB 0.06	Horz(CT) 0.00	8	n/a	n/a		
BCDL 10.0	Code IRC2015/TPI2014	Matrix-S					Weight: 93 lb	FT = 20%

LUMBER-

TOP CHORD 2x6 SP No.1
BOT CHORD 2x6 SP No.1
OTHERS 2x4 SP No.2
WEDGE

Left: 2x4 SP No.2 , Right: 2x4 SP No.2

REACTIONS.

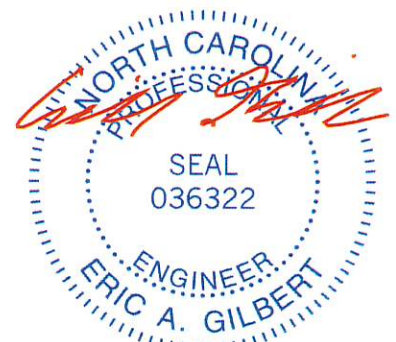
All bearings 11-2-0.
(lb) - Max Horz 2=187(LC 9)
Max Uplift All uplift 100 lb or less at joint(s) 2, 8 except 12=-130(LC 12), 13=-189(LC 12), 10=-126(LC 13), 9=-194(LC 13)
Max Grav All reactions 250 lb or less at joint(s) 2, 11, 12, 13, 10, 9, 8

FORCES.

(lb) - Max. Comp./Max. Ten. - All forces 250 (lb) or less except when shown.

NOTES-

- Unbalanced roof live loads have been considered for this design.
- Wind: ASCE 7-10; Vult=130mph (3-second gust) Vasd=103mph; TCDL=6.0psf; BCDL=6.0psf; h=15ft; Cat. II; Exp C; Enclosed; MWFRS (envelope) gable end zone and C-C Corner(3) -0-9-2 to 3-6-13, Exterior(2) 3-6-13 to 5-7-0, Corner(3) 5-7-0 to 9-11-13, Exterior(2) 9-11-13 to 11-2-0 zone; C-C for members and forces & MWFRS for reactions shown; Lumber DOL=1.60 plate grip DOL=1.60
- Truss designed for wind loads in the plane of the truss only. For studs exposed to wind (normal to the face), see Standard Industry Gable End Details as applicable, or consult qualified building designer as per ANSI/TPI 1.
- All plates are 2x4 MT20 unless otherwise indicated.
- Gable requires continuous bottom chord bearing.
- Gable studs spaced at 2-0-0 oc.
- This truss has been designed for a 10.0 psf bottom chord live load nonconcurrent with any other live loads.
- * This truss has been designed for a live load of 30.0psf on the bottom chord in all areas where a rectangle 3-6-0 tall by 2-0-0 wide will fit between the bottom chord and any other members.
- Provide mechanical connection (by others) of truss to bearing plate capable of withstanding 100 lb uplift at joint(s) 2, 8 except (jt=lb) 12=130, 13=189, 10=126, 9=194.
- Beveled plate or shim required to provide full bearing surface with truss chord at joint(s) 2.



June 8, 2020

WARNING - Verify design parameters and READ NOTES ON THIS AND INCLUDED MITEK REFERENCE PAGE MII-7473 rev. 10/03/2015 BEFORE USE.

Design valid for use only with MiTek® connectors. This design is based only upon parameters shown, and is for an individual building component, not a truss system. Before use, the building designer must verify the applicability of design parameters and properly incorporate this design into the overall building design. Bracing indicated is to prevent buckling of individual truss web and/or chord members only. Additional temporary and permanent bracing is always required for stability and to prevent collapse with possible personal injury and property damage. For general guidance regarding the fabrication, storage, delivery, erection and bracing of trusses and truss systems, see ANSI/TPI1 Quality Criteria, DSB-89 and BCSI Building Component Safety Information available from Truss Plate Institute, 218 N. Lee Street, Suite 312, Alexandria, VA 22314.

ENGINEERING BY
TRENCO
A MiTek Affiliate

818 Soundside Road
Edenton, NC 27932

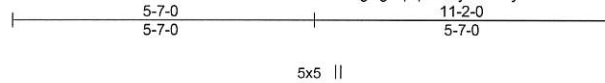
Job	Truss	Truss Type	Qty	Ply	Job Reference (optional)
J0620-2872	B2	COMMON GIRDER	1	2	

E14484703

Comtech, Inc, Fayetteville, NC - 28314,

8,330 s May 6 2020 MiTek Industries, Inc. Mon Jun 8 10:33:14 2020 Page 1

ID:BoI?hgXgIYpqwdOiyUmcQyz41fz-dM9MsC3bsmKUFcWvCdayQXVxkK1PBk0wjdog9Bz8N73



Scale = 1:41.0

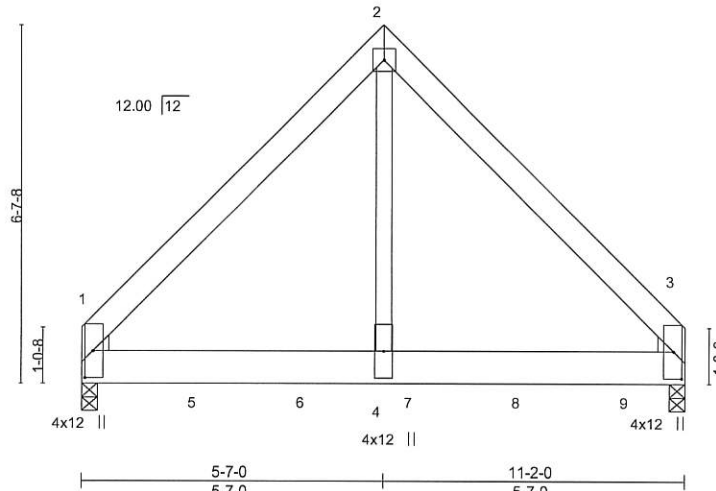


Plate Offsets (X,Y)--	[1:0-1-4,0-1-4], [1:0-2-8,0-4-13], [1:0-6-0,0-1-12], [3:0-1-4,0-1-4], [3:0-2-8,0-4-13], [3:0-6-0,0-1-12]
-----------------------	--

LOADING (psf)	SPACING-	CSI.	DEFL.	in	(loc)	l/defl	L/d	PLATES	GRIP
TCLL 20.0	Plate Grip DOL 1.15	TC 0.40	Vert(LL) -0.03	3-4	>999	360		MT20	244/190
TCDL 10.0	Lumber DOL 1.15	BC 0.60	Vert(CT) -0.06	3-4	>999	240			
BCLL 0.0 *	Rep Stress Incr NO	WB 0.52	Horz(CT) 0.01	3	n/a	n/a			
BCDL 10.0	Code IRC2015/TPI2014	Matrix-S	Wind(LL) 0.02	3-4	>999	240			
								Weight: 165 lb	FT = 20%

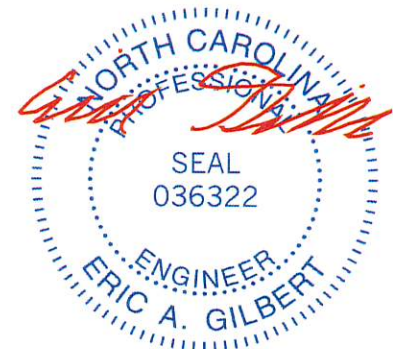
LUMBER-	BRACING-
TOP CHORD 2x6 SP No.1	TOP CHORD Structural wood sheathing directly applied or 6-0-0 oc purlins.
BOT CHORD 2x8 SP No.1	BOT CHORD Rigid ceiling directly applied or 10-0-0 oc bracing.
WEBS 2x4 SP No.2	
WEDGE	
Left: 2x4 SP No.2 , Right: 2x4 SP No.2	

REACTIONS. (size) 1=0-3-8, 3=0-3-8
 Max Horz 1=-144(LC 23)
 Max Uplift 1=-301(LC 9), 3=-265(LC 8)
 Max Grav 1=4586(LC 1), 3=3979(LC 1)

FORCES. (lb) - Max. Comp./Max. Ten. - All forces 250 (lb) or less except when shown.
 TOP CHORD 1-2=-3212/267, 2-3=-3207/266
 BOT CHORD 1-4=-137/2118, 3-4=-137/2118
 WEBS 2-4=-239/4237

- NOTES-**
- 2-ply truss to be connected together with 10d (0.131"x3") nails as follows:
 Top chords connected as follows: 2x6 - 2 rows staggered at 0-9-0 oc.
 Bottom chords connected as follows: 2x8 - 2 rows staggered at 0-6-0 oc.
 Webs connected as follows: 2x4 - 1 row at 0-9-0 oc.
 - All loads are considered equally applied to all plies, except if noted as front (F) or back (B) face in the LOAD CASE(S) section. Ply to ply connections have been provided to distribute only loads noted as (F) or (B), unless otherwise indicated.
 - Unbalanced roof live loads have been considered for this design.
 - Wind: ASCE 7-10; Vult=130mph (3-second gust) Vasd=103mph; TCCL=6.0psf; BCCL=6.0psf; h=15ft; Cat. II; Exp C; Enclosed; MWFRS (envelope); Lumber DOL=1.60 plate grip DOL=1.60
 - This truss has been designed for a 10.0 psf bottom chord live load nonconcurrent with any other live loads.
 - * This truss has been designed for a live load of 30.0psf on the bottom chord in all areas where a rectangle 3-6-0 tall by 2-0-0 wide will fit between the bottom chord and any other members.
 - Provide mechanical connection (by others) of truss to bearing plate capable of withstanding 100 lb uplift at joint(s) except (jt=lb) 1=301, 3=265.
 - Hanger(s) or other connection device(s) shall be provided sufficient to support concentrated load(s) 1293 lb down and 88 lb up at 0-1-12, 1283 lb down and 98 lb up at 2-2-0, 1279 lb down and 98 lb up at 4-2-0, 1279 lb down and 98 lb up at 6-2-0, and 1279 lb down and 98 lb up at 8-2-0, and 1281 lb down and 96 lb up at 10-2-0 on bottom chord. The design/selection of such connection device(s) is the responsibility of others.

LOAD CASE(S) Standard
 1) Dead + Roof Live (balanced): Lumber Increase=1.15, Plate Increase=1.15



June 8, 2020

Continued on page 2

WARNING - Verify design parameters and READ NOTES ON THIS AND INCLUDED MITEK REFERENCE PAGE MII-7473 rev. 10/03/2015 BEFORE USE.
 Design valid for use only with MiTek® connectors. This design is based only upon parameters shown, and is for an individual building component, not a truss system. Before use, the building designer must verify the applicability of design parameters and properly incorporate this design into the overall building design. Bracing indicated is to prevent buckling of individual truss web and/or chord members only. Additional temporary and permanent bracing is always required for stability and to prevent collapse with possible personal injury and property damage. For general guidance regarding the fabrication, storage, delivery, erection and bracing of trusses and truss systems, see ANSITPH Quality Criteria, DSB-89 and BCSI Building Component Safety Information available from Truss Plate Institute, 218 N. Lee Street, Suite 312, Alexandria, VA 22314.

ENGINEERING BY
TRENCO
 A MiTek Affiliate
 818 Soundside Road
 Edenton, NC 27932

Job J0620-2872	Truss B2	Truss Type COMMON GIRDER	Qty 1	Ply 2	Job Reference (optional) E14484703
-------------------	-------------	-----------------------------	----------	-----------------	---------------------------------------

Comtech, Inc, Fayetteville, NC - 28314,

8.330 s May 6 2020 MiTek Industries, Inc. Mon Jun 8 10:33:14 2020 Page 2
ID:BoL?hgXglYpqwdOiyUmcQyz41fz-dM9MsC3bsmKUfCWvCdayQXVkkK1PBk0wjd9Bz8N73

LOAD CASE(S) Standard

Uniform Loads (plf)

Vert: 1-2=-60, 2-3=-60, 1-3=-20

Concentrated Loads (lb)

Vert: 1=-1293(B) 5=-1283(B) 6=-1279(B) 7=-1279(B) 8=-1279(B) 9=-1281(B)

WARNING - Verify design parameters and READ NOTES ON THIS AND INCLUDED MITEK REFERENCE PAGE MII-7473 rev. 10/03/2015 BEFORE USE.

Design valid for use only with MiTek® connectors. This design is based only upon parameters shown, and is for an individual building component, not a truss system. Before use, the building designer must verify the applicability of design parameters and properly incorporate this design into the overall building design. Bracing indicated is to prevent buckling of individual truss web and/or chord members only. Additional temporary and permanent bracing is always required for stability and to prevent collapse with possible personal injury and property damage. For general guidance regarding the fabrication, storage, delivery, erection and bracing of trusses and truss systems, see *ANSI/TPI1 Quality Criteria, DSB-89 and BCSI Building Component Safety Information* available from Truss Plate Institute, 218 N. Lee Street, Suite 312, Alexandria, VA 22314.



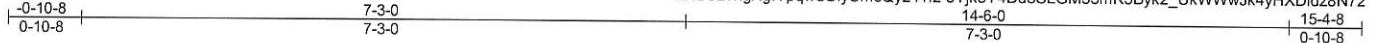
818 Soundside Road
Edenton, NC 27932

Job	Truss	Truss Type	Qty	Ply	Job Reference (optional)
J0620-2872	C1	COMMON SUPPORTED GAB	1	1	E14484704

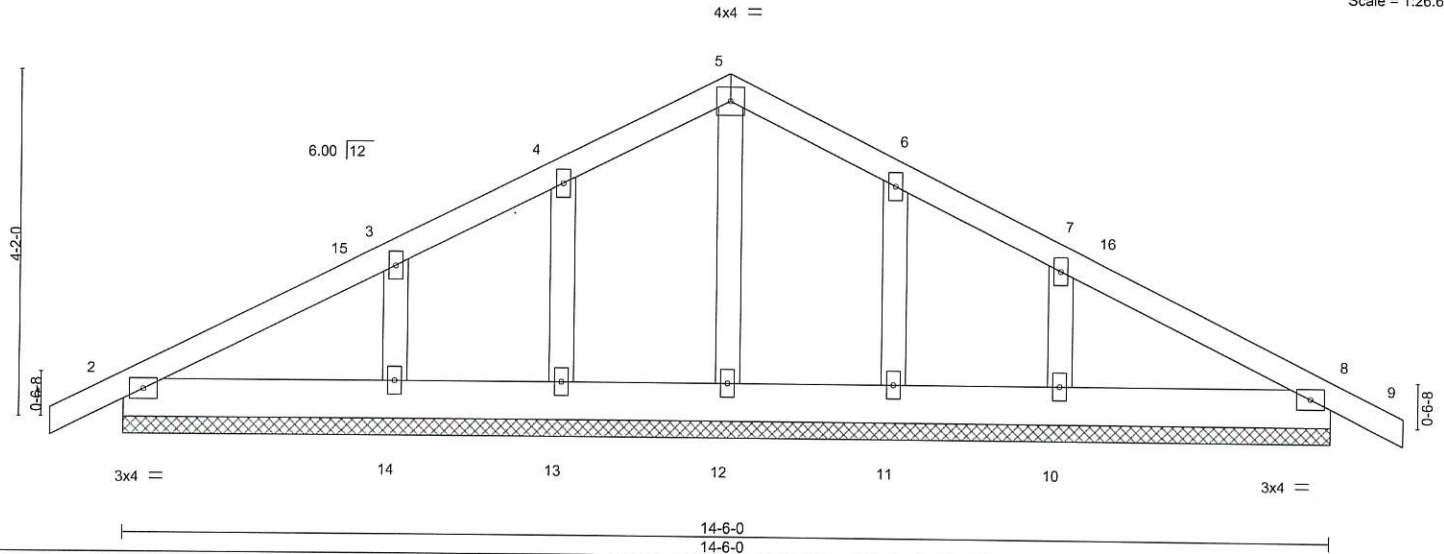
Comtech, Inc, Fayetteville, NC - 28314,

8.330 s May 6 2020 MiTek Industries, Inc. Mon Jun 8 10:33:15 2020 Page 1

ID:BoL?hgXglYpqwdOiyUmcQyz41fz-5Yjk3Y4Dd3SLGM55mK5Byk2_UkWWwwJk4yHXDdz8N72



Scale = 1:26.6



LOADING (psf)	SPACING-	CSI.	DEFL.	PLATES	GRIP
TCLL 20.0	Plate Grip DOL 2-0-0	TC 0.09	in (loc) l/defl L/d	MT20	244/190
TCDL 10.0	Lumber DOL 1.15	BC 0.03	Vert(LL) 0.00 8 n/r 120		
BCLL 0.0 *	Rep Stress Incr YES	WB 0.04	Vert(CT) 0.00 9 n/r 120		
BCDL 10.0	Code IRC2015/TPI2014	Matrix-S	Horz(CT) 0.00 8 n/a n/a		
				Weight: 78 lb	FT = 20%

LUMBER-	BRACING-
TOP CHORD 2x4 SP No.1	TOP CHORD Structural wood sheathing directly applied or 6-0-0 oc purlins.
BOT CHORD 2x6 SP No.1	BOT CHORD Rigid ceiling directly applied or 10-0-0 oc bracing.
OTHERS 2x4 SP No.2	

REACTIONS. All bearings 14-6-0.
 (lb) - Max Horz 2=82(LC 13)
 Max Uplift All uplift 100 lb or less at joint(s) 2, 8, 13, 11 except 14=112(LC 12), 10=112(LC 13)
 Max Grav All reactions 250 lb or less at joint(s) 2, 8, 12, 13, 11 except 14=250(LC 1), 10=250(LC 1)

FORCES. (lb) - Max. Comp./Max. Ten. - All forces 250 (lb) or less except when shown.

- NOTES-**
- Unbalanced roof live loads have been considered for this design.
 - Wind: ASCE 7-10; Vult=130mph (3-second gust) Vasd=103mph; TCDL=6.0psf; BCDL=6.0psf; h=15ft; Cat. II; Exp C; Enclosed; MWFRS (envelope) gable end zone and C-C Corner(3) 0-10-8 to 3-3-0, Exterior(2) 3-3-0 to 7-3-0, Corner(3) 7-3-0 to 11-7-13, Exterior(2) 11-7-13 to 15-4-8 zone; C-C for members and forces & MWFRS for reactions shown; Lumber DOL=1.60 plate grip DOL=1.60
 - Truss designed for wind loads in the plane of the truss only. For studs exposed to wind (normal to the face), see Standard Industry Gable End Details as applicable, or consult qualified building designer as per ANSI/TPI 1.
 - All plates are 2x4 MT20 unless otherwise indicated.
 - Gable requires continuous bottom chord bearing.
 - Gable studs spaced at 2-0-0 oc.
 - This truss has been designed for a 10.0 psf bottom chord live load nonconcurrent with any other live loads.
 - * This truss has been designed for a live load of 30.0psf on the bottom chord in all areas where a rectangle 3-6-0 tall by 2-0-0 wide will fit between the bottom chord and any other members.
 - Provide mechanical connection (by others) of truss to bearing plate capable of withstanding 100 lb uplift at joint(s) 2, 8, 13, 11 except (jt=lb) 14=112, 10=112.



June 8, 2020

WARNING - Verify design parameters and READ NOTES ON THIS AND INCLUDED MITEK REFERENCE PAGE MI-7473 rev. 10/03/2015 BEFORE USE.
 Design valid for use only with MiTek® connectors. This design is based only upon parameters shown, and is for an individual building component, not a truss system. Before use, the building designer must verify the applicability of design parameters and properly incorporate this design into the overall building design. Bracing indicated is to prevent buckling of individual truss web and/or chord members only. Additional temporary and permanent bracing is always required for stability and to prevent collapse with possible personal injury and property damage. For general guidance regarding the fabrication, storage, delivery, erection and bracing of trusses and truss systems, see ANSI/TPI1 Quality Criteria, DSB-89 and BCSI Building Component Safety Information available from Truss Plate Institute, 218 N. Lee Street, Suite 312, Alexandria, VA 22314.

ENGINEERING BY
TRENCO
 A MiTek Affiliate
 818 Soundside Road
 Edenton, NC 27932

Job	Truss	Truss Type	Qty	Ply	Job Reference (optional)
J0620-2872	C2	COMMON	3	1	

E14484705

Comtech, Inc, Fayetteville, NC - 28314,

8,330 s May 6 2020 MiTek Industries, Inc. Mon Jun 8 10:33:16 2020 Page 1

ID:BoL?hgXglYpqwdOiyUmcQyz41fz-ZkH6Hu5sONaCuWgHK2cQVyb4o8pWfILDaxHmE3z8N71



Scale = 1:26.6

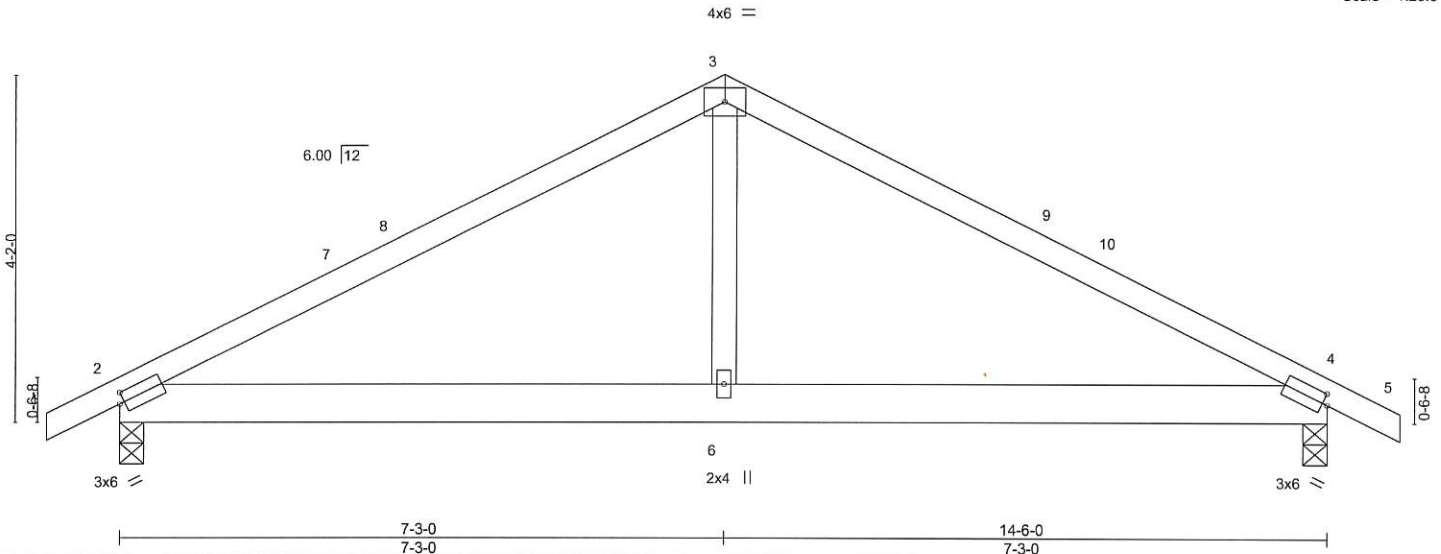


Plate Offsets (X,Y)-- [2:0-0-12,0-1-8], [4:0-0-12,0-1-8]

LOADING (psf)	SPACING-	CSI.	DEFL.	PLATES	GRIP
TCLL 20.0	2-0-0	TC 0.44	in (loc) l/defl L/d	MT20	244/190
TCDL 10.0	Plate Grip DOL 1.15	BC 0.24	Vert(LL) -0.02 2-6 >999 360		
BCLL 0.0 *	Lumber DOL 1.15	WB 0.08	Vert(CT) -0.05 2-6 >999 240		
BCDL 10.0	Rep Stress Incr YES	Matrix-S	Horz(CT) 0.01 4 n/a n/a		
	Code IRC2015/TPI2014		Wind(LL) 0.02 2-6 >999 240	Weight: 66 lb	FT = 20%

LUMBER-

TOP CHORD 2x4 SP No.1
 BOT CHORD 2x6 SP No.1
 WEBS 2x4 SP No.2

BRACING-

TOP CHORD Structural wood sheathing directly applied or 6-0-0 oc purlins.
 BOT CHORD Rigid ceiling directly applied or 10-0-0 oc bracing.

REACTIONS.

(size) 2=0-3-8, 4=0-3-8
 Max Horz 2=-53(LC 10)
 Max Uplift 2=-48(LC 12), 4=-48(LC 13)
 Max Grav 2=630(LC 1), 4=630(LC 1)

FORCES. (lb) - Max. Comp./Max. Ten. - All forces 250 (lb) or less except when shown.

TOP CHORD 2-3=-803/237, 3-4=-803/237
 BOT CHORD 2-6=-75/617, 4-6=-75/617
 WEBS 3-6=0/366

NOTES-

- Unbalanced roof live loads have been considered for this design.
- Wind: ASCE 7-10; Vult=130mph (3-second gust) Vasd=103mph; TCCL=6.0psf; BCDL=6.0psf; h=15ft; Cat. II; Exp C; Enclosed; MWFRS (envelope) and C-C Exterior(2) -0-10-8 to 3-6-5, Interior(1) 3-6-5 to 7-3-0, Exterior(2) 7-3-0 to 11-7-13, Interior(1) 11-7-13 to 15-4-8 zone; C-C for members and forces & MWFRS for reactions shown; Lumber DOL=1.60 plate grip DOL=1.60
- This truss has been designed for a 10.0 psf bottom chord live load nonconcurrent with any other live loads.
- * This truss has been designed for a live load of 30.0psf on the bottom chord in all areas where a rectangle 3-6-0 tall by 2-0-0 wide will fit between the bottom chord and any other members.
- Provide mechanical connection (by others) of truss to bearing plate capable of withstanding 100 lb uplift at joint(s) 2, 4.



June 8, 2020

WARNING - Verify design parameters and READ NOTES ON THIS AND INCLUDED MTEK REFERENCE PAGE MII-7473 rev. 10/03/2015 BEFORE USE.

Design valid for use only with MiTek® connectors. This design is based only upon parameters shown, and is for an individual building component, not a truss system. Before use, the building designer must verify the applicability of design parameters and properly incorporate this design into the overall building design. Bracing indicated is to prevent buckling of individual truss web and/or chord members only. Additional temporary and permanent bracing is always required for stability and to prevent collapse with possible personal injury and property damage. For general guidance regarding the fabrication, storage, delivery, erection and bracing of trusses and truss systems, see *ANSI/TR11 Quality Criteria, DSB-89 and BCSI Building Component Safety Information* available from Truss Plate Institute, 218 N. Lee Street, Suite 312, Alexandria, VA 22314.



818 Soundside Road
 Edenton, NC 27932

Job	Truss	Truss Type	Qty	Ply	Job Reference (optional)
J0620-2872	C3	COMMON GIRDER	1	2	

E14484706

Comtech, Inc, Fayetteville, NC - 28314,

8.330 s May 6 2020 MiTek Industries, Inc. Mon Jun 8 10:33:17 2020 Page 1

ID:BoL?hgXglYppwdOiyUmcQyz41fz-1xrVUE6U9hi3WgEUul7f197GrY3yO2eNPb0KmWz8N70

Scale = 1:25.5

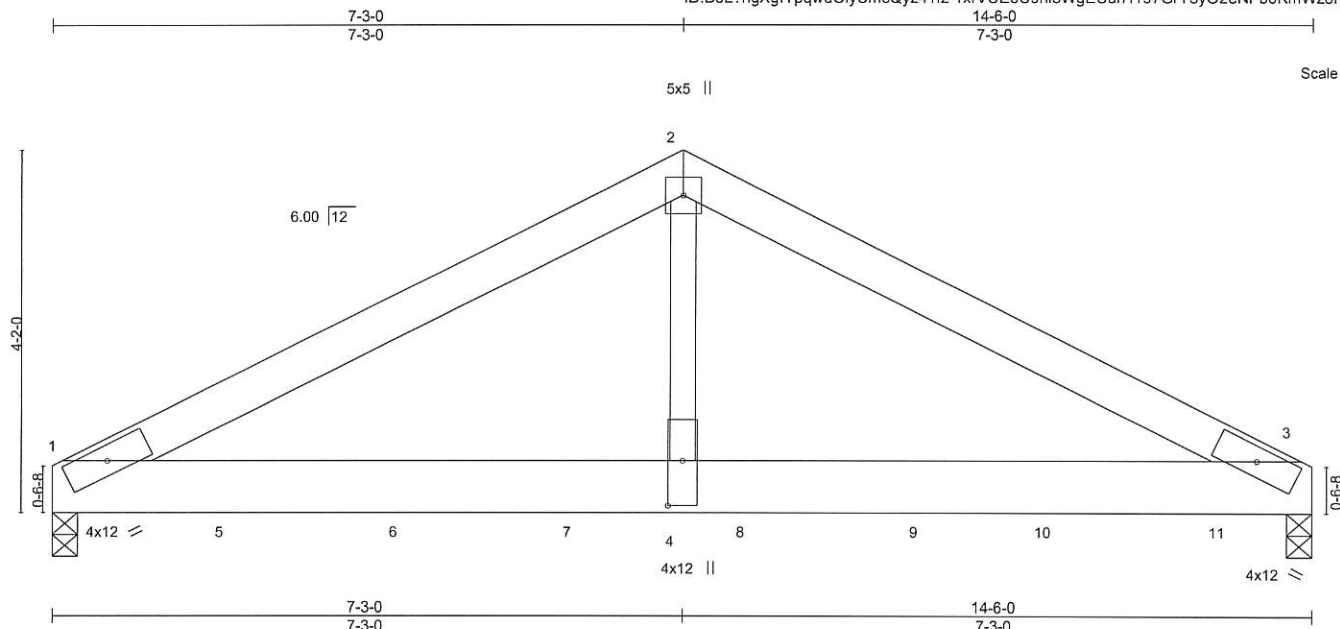


Plate Offsets (X,Y)-- [4:0-6-4,0-2-0]

LOADING (psf)	SPACING-	CSI.	DEFL.	in (loc)	l/defl	L/d	PLATES	GRIP
TCLL 20.0	2-0-0	TC 0.36	Vert(LL) -0.08	3-4	>999	360	MT20	244/190
TCDL 10.0	Plate Grip DOL 1.15	BC 0.61	Vert(CT) -0.16	3-4	>999	240		
BCLL 0.0 *	Lumber DOL 1.15	WB 0.72	Horz(CT) 0.02	3	n/a	n/a		
BCDL 10.0	Rep Stress Incr NO	Matrix-S	Wind(LL) 0.06	3-4	>999	240		
	Code IRC2015/TPI2014						Weight: 173 lb	FT = 20%

LUMBER-

TOP CHORD 2x6 SP No.1
 BOT CHORD 2x8 SP 2400F 2.0E
 WEBS 2x4 SP No.2

BRACING-

TOP CHORD Structural wood sheathing directly applied or 5-10-10 oc purlins.
 BOT CHORD Rigid ceiling directly applied or 10-0-0 oc bracing.

REACTIONS.

(size) 1=0-3-8, 3=0-3-8
 Max Horz 1=-47(LC 25)
 Max Uplift 1=-324(LC 8), 3=-382(LC 9)
 Max Grav 1=4670(LC 1), 3=5490(LC 1)

FORCES. (lb) - Max. Comp./Max. Ten. - All forces 250 (lb) or less except when shown.

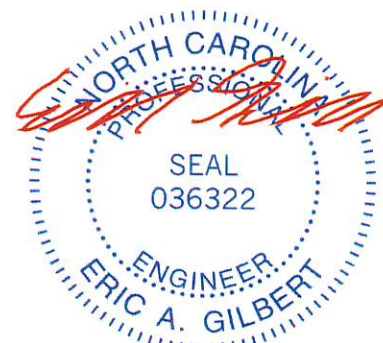
TOP CHORD 1-2=-7127/503, 2-3=-7121/502
 BOT CHORD 1-4=-396/6308, 3-4=-396/6308
 WEBS 2-4=-316/5855

NOTES-

- 2-ply truss to be connected together with 10d (0.131"x3") nails as follows:
 Top chords connected as follows: 2x6 - 2 rows staggered at 0-9-0 oc.
 Bottom chords connected as follows: 2x8 - 2 rows staggered at 0-7-0 oc.
 Webs connected as follows: 2x4 - 1 row at 0-9-0 oc.
- All loads are considered equally applied to all plies, except if noted as front (F) or back (B) face in the LOAD CASE(S) section. Ply to ply connections have been provided to distribute only loads noted as (F) or (B), unless otherwise indicated.
- Unbalanced roof live loads have been considered for this design.
- Wind: ASCE 7-10; Vult=130mph (3-second gust) Vasd=103mph; TC DL=6.0psf; BC DL=6.0psf; h=15ft; Cat. II; Exp C; Enclosed; MWFRS (envelope); Lumber DOL=1.60 plate grip DOL=1.60
- This truss has been designed for a 10.0 psf bottom chord live load nonconcurrent with any other live loads.
- * This truss has been designed for a live load of 30.0psf on the bottom chord in all areas where a rectangle 3-6-0 tall by 2-0-0 wide will fit between the bottom chord and any other members.
- Provide mechanical connection (by others) of truss to bearing plate capable of withstanding 100 lb uplift at joint(s) except (jt=lb) 1=324, 3=382.
- Hanger(s) or other connection device(s) shall be provided sufficient to support concentrated load(s) 1291 lb down and 99 lb up at 2-0-12, 1291 lb down and 99 lb up at 4-0-12, 1291 lb down and 99 lb up at 6-0-12, 1291 lb down and 99 lb up at 8-0-12, 1291 lb down and 99 lb up at 10-0-12, and 1283 lb down and 99 lb up at 11-6-0, and 1285 lb down and 98 lb up at 13-6-0 on bottom chord. The design/selection of such connection device(s) is the responsibility of others.

LOAD CASE(S) Standard

- Dead + Roof Live (balanced): Lumber Increase=1.15, Plate Increase=1.15
 Uniform Loads (plf)
 Vert: 1-2=-60, 2-3=-60, 1-3=-20



June 8, 2020

Continued on page 2

WARNING - Verify design parameters and READ NOTES ON THIS AND INCLUDED MITEK REFERENCE PAGE MI-7473 rev. 10/03/2015 BEFORE USE.

Design valid for use only with MiTek® connectors. This design is based only upon parameters shown, and is for an individual building component, not a truss system. Before use, the building designer must verify the applicability of design parameters and properly incorporate this design into the overall building design. Bracing indicated is to prevent buckling of individual truss web and/or chord members only. Additional temporary and permanent bracing is always required for stability and to prevent collapse with possible personal injury and property damage. For general guidance regarding the fabrication, storage, delivery, erection and bracing of trusses and truss systems, see *ANSI/TPI1 Quality Criteria, DSB-89 and BCSI Building Component Safety Information* available from Truss Plate Institute, 218 N. Lee Street, Suite 312, Alexandria, VA 22314.

ENGINEERING BY
TRENCO
 A MiTek Affiliate

818 Soundside Road
 Edenton, NC 27932

Job J0620-2872	Truss C3	Truss Type COMMON GIRDER	Qty 1	Ply 2	Job Reference (optional) E14484706
-------------------	-------------	-----------------------------	----------	----------	---------------------------------------

Comtech, Inc, Fayetteville, NC - 28314,

8.330 s May 6 2020 MiTek Industries, Inc. Mon Jun 8 10:33:17 2020 Page 2
ID:BoL?hgXglYpqwdOiyUmcQyz41fz-1xrVUE6U9hi3WgEUui7f197GrY3yO2eNPb0KmWz8N70

LOAD CASE(S) Standard
Concentrated Loads (lb)
Vert: 5=-1291(F) 6=-1291(F) 7=-1291(F) 8=-1291(F) 9=-1291(F) 10=-1283(F) 11=-1285(F)

WARNING - Verify design parameters and READ NOTES ON THIS AND INCLUDED MITEK REFERENCE PAGE MII-7473 rev. 10/03/2015 BEFORE USE.

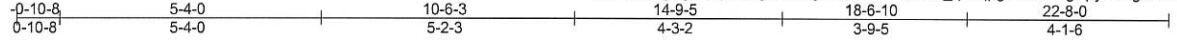
Design valid for use only with MiTek® connectors. This design is based only upon parameters shown, and is for an individual building component, not a truss system. Before use, the building designer must verify the applicability of design parameters and properly incorporate this design into the overall building design. Bracing indicated is to prevent buckling of individual truss web and/or chord members only. Additional temporary and permanent bracing is always required for stability and to prevent collapse with possible personal injury and property damage. For general guidance regarding the fabrication, storage, delivery, erection and bracing of trusses and truss systems, see *ANSI/TPI1 Quality Criteria, DSB-89 and BCSI Building Component Safety Information* available from Truss Plate Institute, 218 N. Lee Street, Suite 312, Alexandria, VA 22314.



818 Soundside Road
Edenton, NC 27932

Job	Truss	Truss Type	Qty	Ply	Job Reference (optional)
J0620-2872	D1	GABLE	1	1	E14484707

Comtech, Inc, Fayetteville, NC - 28314, 8.330 s May 6 2020 MiTek Industries, Inc. Mon Jun 8 10:33:18 2020 Page 1
 ID:BoL?hgXgIYpqwdOiyUmcQyz41fz-W7Ptia66v_qv7qpqRTeuaNgPpySF7g6WeFmlyz8N7?



Scale = 1:45.3

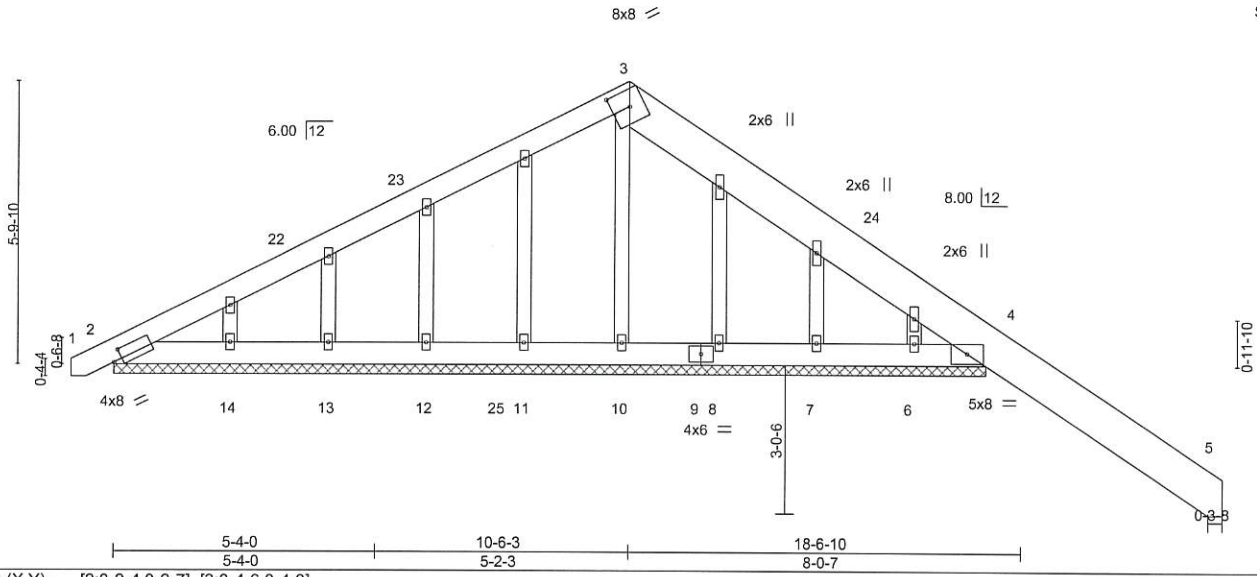


Plate Offsets (X,Y)- [2:0-2-4,0-2-7], [3:0-4-6,0-4-0]

LOADING (psf)	SPACING-	CSI.	DEFL.	PLATES	GRIP
TCLL 20.0	2-0-0	TC 0.41	in (loc) l/defl L/d	MT20	244/190
TCDL 10.0	Plate Grip DOL 1.15	BC 0.42	Vert(LL) -0.04 5 n/r 120		
BCLL 0.0 *	Lumber DOL 1.15	WB 0.00	Vert(CT) -0.06 5 n/r 120		
BCDL 10.0	Rep Stress Incr YES	Matrix-S	Horz(CT) 0.01 4 n/a n/a		
	Code IRC2015/TPI2014			Weight: 160 lb	FT = 20%

LUMBER-	BRACING-
TOP CHORD 2x6 SP No.1 *Except* 3-5: 2x10 SP No.1	TOP CHORD Structural wood sheathing directly applied or 6-0-0 oc purlins.
BOT CHORD 2x6 SP No.1	BOT CHORD Rigid ceiling directly applied or 10-0-0 oc bracing.
OTHERS 2x4 SP No.2	

REACTIONS. All bearings 17-9-15.
 (lb) - Max Horz 2=-218(LC 17)
 Max Uplift All uplift 100 lb or less at joint(s) 13, 2 except 4=-430(LC 13), 14=-259(LC 12), 6=-139(LC 1)
 Max Grav All reactions 250 lb or less at joint(s) 10, 11, 12, 13, 8, 7, 6 except 4=979(LC 1), 14=423(LC 23), 2=319(LC 1)

FORCES. (lb) - Max. Comp./Max. Ten. - All forces 250 (lb) or less except when shown.
 TOP CHORD 2-3=-587/244, 3-4=-627/277
 BOT CHORD 2-14=-80/413, 13-14=-80/413, 12-13=-80/413, 11-12=-80/413, 10-11=-80/413, 8-10=-80/413, 7-8=-80/413, 6-7=-80/413, 4-6=-80/413

- NOTES-**
- Unbalanced roof live loads have been considered for this design.
 - Wind: ASCE 7-10; Vult=130mph (3-second gust) Vasd=103mph; TCDL=6.0psf; BCDL=6.0psf; h=15ft; Cat. II; Exp C; Enclosed; MWFRS (envelope) gable end zone and C-C Exterior(2) -0-8-10 to 3-8-3, Interior(1) 3-8-3 to 10-6-3, Exterior(2) 10-6-3 to 14-11-0, Interior(1) 14-11-0 to 22-6-4 zone; C-C for members and forces & MWFRS for reactions shown; Lumber DOL=1.60 plate grip DOL=1.60
 - Truss designed for wind loads in the plane of the truss only. For studs exposed to wind (normal to the face), see Standard Industry Gable End Details as applicable, or consult qualified building designer as per ANSI/TPI 1.
 - All plates are 2x4 MT20 unless otherwise indicated.
 - Gable requires continuous bottom chord bearing.
 - Gable studs spaced at 2-0-0 oc.
 - This truss has been designed for a 10.0 psf bottom chord live load nonconcurrent with any other live loads.
 - * This truss has been designed for a live load of 30.0psf on the bottom chord in all areas where a rectangle 3-6-0 tall by 2-0-0 wide will fit between the bottom chord and any other members, with BCDL = 10.0psf.
 - Provide mechanical connection (by others) of truss to bearing plate capable of withstanding 100 lb uplift at joint(s) 13, 2 except (it=lb) 4=430, 14=259, 6=139.



June 8, 2020

WARNING - Verify design parameters and READ NOTES ON THIS AND INCLUDED MITEK REFERENCE PAGE MI-7473 rev. 10/03/2015 BEFORE USE.
 Design valid for use only with MiTek® connectors. This design is based only upon parameters shown, and is for an individual building component, not a truss system. Before use, the building designer must verify the applicability of design parameters and properly incorporate this design into the overall building design. Bracing indicated is to prevent buckling of individual truss web and/or chord members only. Additional temporary and permanent bracing is always required for stability, erection and bracing of trusses and truss systems, see ANSITPI1 Quality Criteria, DSB-89 and BCSI Building Component Safety Information available from Truss Plate Institute, 218 N. Lee Street, Suite 312, Alexandria, VA 22314.

ENGINEERING BY TRENCO
 A MiTek Affiliate
 818 Soundside Road
 Edenton, NC 27932

Job J0620-2872	Truss D2	Truss Type ROOF SPECIAL	Qty 6	Ply 1	Job Reference (optional)	E14484708
-------------------	-------------	----------------------------	----------	----------	--------------------------	-----------

Comtech, Inc, Fayetteville, NC - 28314,

8,330 s May 6 2020 MITek Industries, Inc. Mon Jun 8 10:33:19 2020 Page 1
ID:BoL?hgXglYpqwdOiyUmcQyz41fz-_JzFvw7kglyml_Os?A977aDZALnps?GfsvVQrOz8N7_

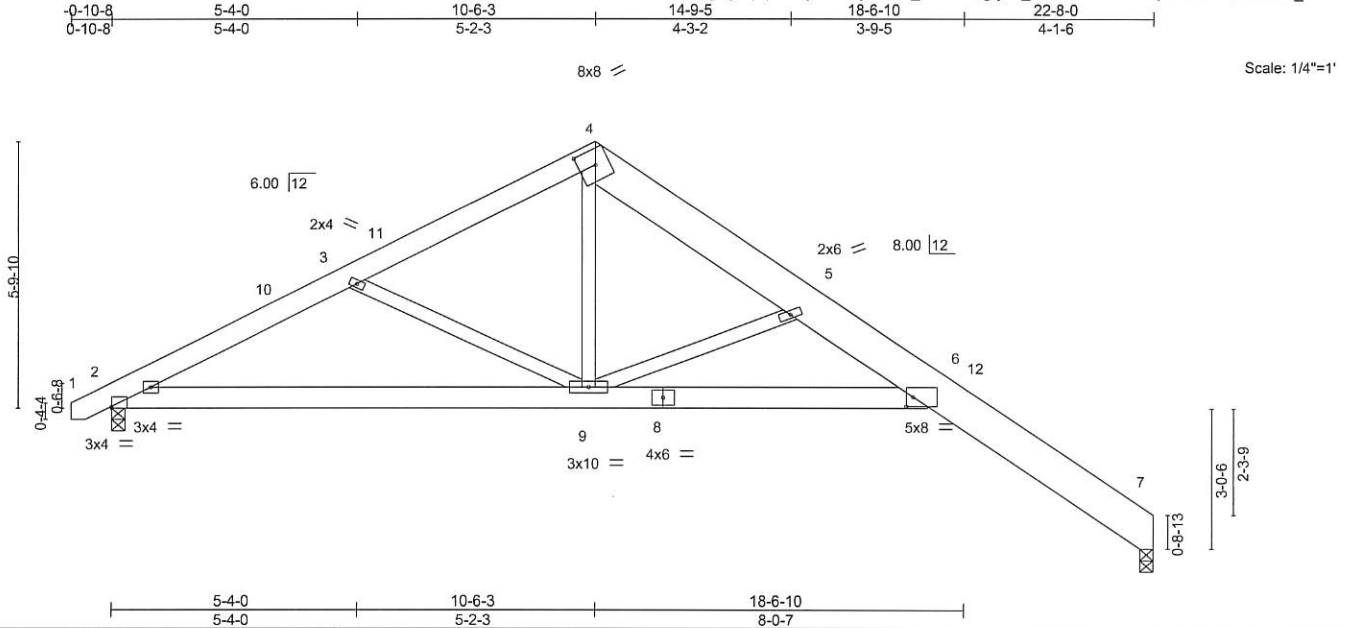


Plate Offsets (X,Y)--	[2:0-0-2, Edge], [4:0-4-6, 0-4-0], [6:0-1-12, 0-2-8]
-----------------------	--

LOADING (psf)	SPACING-	CSI.	DEFL.	in (loc)	l/defl	L/d	PLATES	GRIP
TCLL 20.0	2-0-0	TC 0.50	Vert(LL) -0.20	6-9	>999	360	MT20	244/190
TCDL 10.0	Plate Grip DOL 1.15	BC 0.39	Vert(CT) -0.40	6-9	>677	240		
BCLL 0.0 *	Lumber DOL 1.15	WB 0.52	Horz(CT) 0.26	7	n/a	n/a		
BCDL 10.0	Rep Stress Incr YES	Matrix-S	Wind(LL) 0.13	6	>999	240	Weight: 153 lb	FT = 20%
	Code IRC2015/TPI2014							

LUMBER-	BRACING-
TOP CHORD 2x6 SP No.1 *Except* 4-7: 2x10 SP 2400F 2.0E	TOP CHORD Structural wood sheathing directly applied or 6-0-0 oc purlins.
BOT CHORD 2x6 SP No.1	BOT CHORD Rigid ceiling directly applied or 10-0-0 oc bracing.
WEBS 2x4 SP No.2	

REACTIONS. (size) 7=0-3-8, 2=0-3-8
 Max Horz 2=176(LC 11)
 Max Uplift 7=57(LC 13), 2=58(LC 12)
 Max Grav 7=909(LC 1), 2=949(LC 1)

FORCES. (lb) - Max. Comp./Max. Ten. - All forces 250 (lb) or less except when shown.
 TOP CHORD 2-3=-1528/386, 3-4=-1206/274, 4-5=-1286/301, 5-6=-2001/430, 6-7=-452/169
 BOT CHORD 2-9=-189/1315, 6-9=-273/2152
 WEBS 3-9=-349/230, 4-9=-109/874, 5-9=-1256/333

- NOTES-**
- Unbalanced roof live loads have been considered for this design.
 - Wind: ASCE 7-10; Vult=130mph (3-second gust) Vasd=103mph; TCCL=6.0psf; BCDL=6.0psf; h=15ft; Cat. II; Exp C; Enclosed; MWFRS (envelope) and C-C Exterior(2) 0-8-10 to 3-8-3, Interior(1) 3-8-3 to 10-6-3, Exterior(2) 10-6-3 to 15-1-11, Interior(1) 15-1-11 to 22-6-4 zone; C-C for members and forces & MWFRS for reactions shown; Lumber DOL=1.60 plate grip DOL=1.60
 - This truss has been designed for a 10.0 psf bottom chord live load nonconcurrent with any other live loads.
 - * This truss has been designed for a live load of 30.0psf on the bottom chord in all areas where a rectangle 3-6-0 tall by 2-0-0 wide will fit between the bottom chord and any other members.
 - Bearing at joint(s) 7 considers parallel to grain value using ANSI/TPI 1 angle to grain formula. Building designer should verify capacity of bearing surface.
 - Provide mechanical connection (by others) of truss to bearing plate capable of withstanding 100 lb uplift at joint(s) 7, 2.



June 8, 2020

<p>WARNING - Verify design parameters and READ NOTES ON THIS AND INCLUDED MITEK REFERENCE PAGE MII-7473 rev. 10/03/2015 BEFORE USE.</p> <p>Design valid for use only with MITek® connectors. This design is based only upon parameters shown, and is for an individual building component, not a truss system. Before use, the building designer must verify the applicability of design parameters and properly incorporate this design into the overall building design. Bracing indicated is to prevent buckling of individual truss web and/or chord members only. Additional temporary and permanent bracing is always required for stability and to prevent collapse with possible personal injury and property damage. For general guidance regarding the fabrication, storage, delivery, erection and bracing of trusses and truss systems, see ANSI/TPI Quality Criteria, DSB-89 and BCSI Building Component Safety Information available from Truss Plate Institute, 218 N. Lee Street, Suite 312, Alexandria, VA 22314.</p>	<p>ENGINEERING BY TRENCO <small>A MITek Affiliate</small></p> <p>818 Soundside Road Edenton, NC 27932</p>
--	---

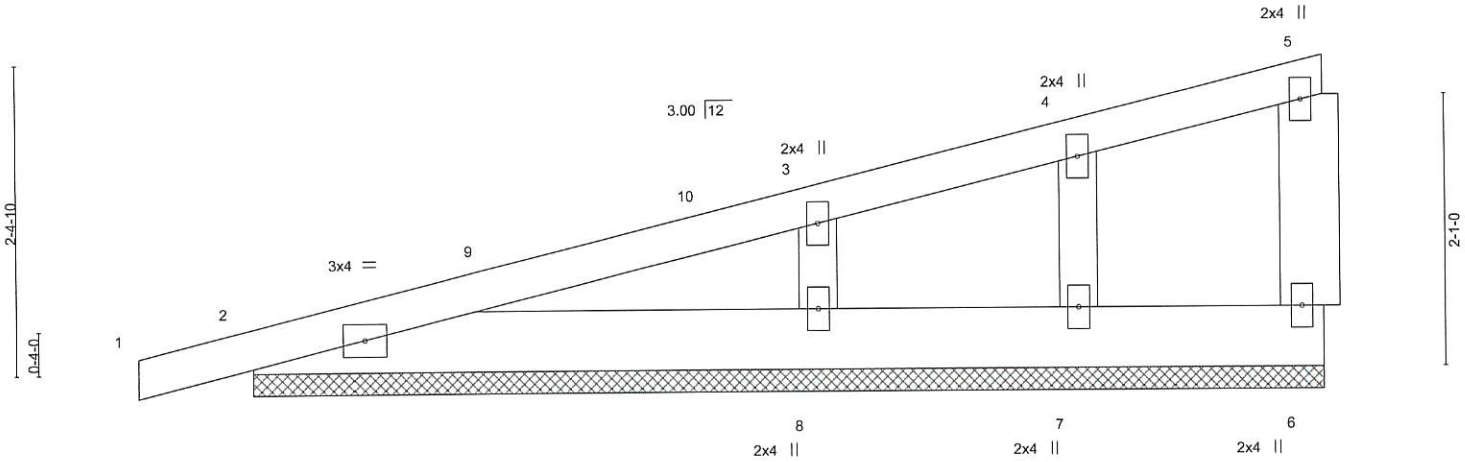
Job J0620-2872	Truss M1	Truss Type GABLE	Qty 1	Ply 1	E14484709
-------------------	-------------	---------------------	----------	----------	-----------

Comtech, Inc. Fayetteville, NC - 28314,

8.330 s May 6 2020 MiTek Industries, Inc. Mon Jun 8 10:33:20 2020 Page 1
ID:BoI?hgXgIYpqwdOiyUmcQyz41fz-SWXd6G8MRc4dN7z3ZtgMfolp8IDUbaOp5ZF_Mqz8N6z



Scale = 1:17.0



LOADING (psf)	SPACING- 2-0-0	CSI.	DEFL. in (loc) l/defl L/d	PLATES	GRIP
TCLL 20.0	Plate Grip DOL 1.15	TC 0.16	Vert(LL) -0.00 1 n/r 120	MT20	244/190
TCDL 10.0	Lumber DOL 1.15	BC 0.05	Vert(CT) 0.00 1 n/r 120		
BCLL 0.0 *	Rep Stress Incr YES	WB 0.04	Horz(CT) 0.00 n/a n/a		
BCDL 10.0	Code IRC2015/TPI2014	Matrix-P		Weight: 40 lb	FT = 20%

LUMBER-

TOP CHORD 2x4 SP No.1
BOT CHORD 2x6 SP No.1
WEBS 2x6 SP No.1
OTHERS 2x4 SP No.2

BRACING-

TOP CHORD Structural wood sheathing directly applied or 6'-0'-0" oc purlins, except end verticals.
BOT CHORD Rigid ceiling directly applied or 10'-0'-0" oc bracing.

REACTIONS.

All bearings 8-2-8.
(lb) - Max Horz 2=109(LC 8)
Max Uplift All uplift 100 lb or less at joint(s) 6, 2, 7 except 8=107(LC 12)
Max Grav All reactions 250 lb or less at joint(s) 6, 2, 7 except 8=344(LC 1)

FORCES. (lb) - Max. Comp./Max. Ten. - All forces 250 (lb) or less except when shown.

WEBS 3-8=255/218

NOTES-

- 1) Wind: ASCE 7-10; Vult=130mph (3-second gust) Vasd=103mph; TCCL=6.0psf; BCDL=6.0psf; h=15ft; Cat. II; Exp C; Enclosed; MWFRS (envelope) gable end zone and C-C Exterior(2) -0-10-8 to 3-6-5, Interior(1) 3-6-5 to 8-1-4 zone; C-C for members and forces & MWFRS for reactions shown; Lumber DOL=1.60 plate grip DOL=1.60
- 2) Truss designed for wind loads in the plane of the truss only. For studs exposed to wind (normal to the face), see Standard Industry Gable End Details as applicable, or consult qualified building designer as per ANSI/TPI 1.
- 3) Gable requires continuous bottom chord bearing.
- 4) Gable studs spaced at 2'-0'-0" oc.
- 5) This truss has been designed for a 10.0 psf bottom chord live load nonconcurrent with any other live loads.
- 6) * This truss has been designed for a live load of 30.0psf on the bottom chord in all areas where a rectangle 3'-6'-0" tall by 2'-0'-0" wide will fit between the bottom chord and any other members.
- 7) Provide mechanical connection (by others) of truss to bearing plate capable of withstanding 100 lb uplift at joint(s) 6, 2, 7 except (jt=lb) 8=107.



June 8, 2020

WARNING - Verify design parameters and READ NOTES ON THIS AND INCLUDED MITEK REFERENCE PAGE MII-7473 rev. 10/03/2015 BEFORE USE.

Design valid for use only with MiTek® connectors. This design is based only upon parameters shown, and is for an individual building component, not a truss system. Before use, the building designer must verify the applicability of design parameters and properly incorporate this design into the overall building design. Bracing indicated is to prevent buckling of individual truss web and/or chord members only. Additional temporary and permanent bracing is always required for stability and to prevent collapse with possible personal injury and property damage. For general guidance regarding the fabrication, storage, delivery, erection and bracing of trusses and truss systems, see ANSI/TPI1 Quality Criteria, DSB-89 and BCSI Building Component Safety Information available from Truss Plate Institute, 218 N. Lee Street, Suite 312, Alexandria, VA 22314.



818 Soundside Road
Edenton, NC 27932

Job	Truss	Truss Type	Qty	Ply	Job Reference (optional)
J0620-2872	M2	MONOPITCH	5	1	

E14484710

Comtech, Inc, Fayetteville, NC - 28314,

8.330 s May 6 2020 MiTek Industries, Inc. Mon Jun 8 10:33:20 2020 Page 1
ID:BoL?hgXglYpqwdOiyUmcQyz41fz-SWXd6G8MRc4dN7z3ZtgMfoldl98baop5ZF_Mqz8N6z



Scale = 1:17.5

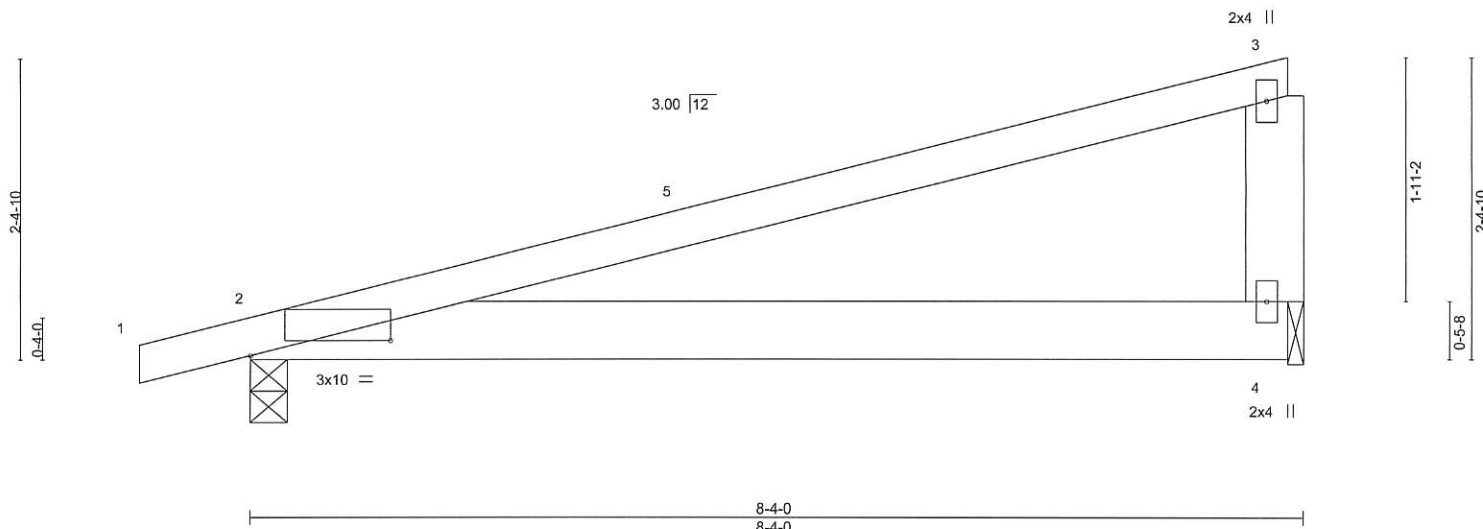


Plate Offsets (X,Y)-- [2:1-1-4,0-1-7]

LOADING (psf)	SPACING- 2-0-0	CSI.	DEFL. in (loc) l/defl L/d	PLATES	GRIP
TCLL 20.0	Plate Grip DOL 1.15	TC 0.95	Vert(LL) -0.05 2-4 >999 360	MT20	244/190
TCDL 10.0	Lumber DOL 1.15	BC 0.26	Vert(CT) -0.11 2-4 >880 240		
BCLL 0.0 *	Rep Stress Incr YES	WB 0.00	Horz(CT) 0.00 n/a n/a		
BCDL 10.0	Code IRC2015/TPI2014	Matrix-P	Wind(LL) 0.00 2 **** 240	Weight: 37 lb	FT = 20%

LUMBER-	BRACING-
TOP CHORD 2x4 SP No.1	TOP CHORD Structural wood sheathing directly applied or 2-2-0 oc purlins, except end verticals.
BOT CHORD 2x6 SP No.1	BOT CHORD Rigid ceiling directly applied or 10-0-0 oc bracing.
WEBS 2x6 SP No.1	

REACTIONS. (size) 2=0-3-8, 4=0-1-8
 Max Horz 2=77(LC 8)
 Max Uplift 2=66(LC 8), 4=-41(LC 12)
 Max Grav 2=384(LC 1), 4=314(LC 1)

FORCES. (lb) - Max. Comp./Max. Ten. - All forces 250 (lb) or less except when shown.

- NOTES-**
- 1) Wind: ASCE 7-10; Vult=130mph (3-second gust) Vasd=103mph; TCDL=6.0psf; BCDL=6.0psf; h=15ft; Cat. II; Exp C; Enclosed; MWFRS (envelope) and C-C Exterior(2) -0-10-8 to 3-6-5, Interior(1) 3-6-5 to 8-1-4 zone; C-C for members and forces & MWFRS for reactions shown; Lumber DOL=1.60 plate grip DOL=1.60
 - 2) This truss has been designed for a 10.0 psf bottom chord live load nonconcurrent with any other live loads.
 - 3) * This truss has been designed for a live load of 30.0psf on the bottom chord in all areas where a rectangle 3-6-0 tall by 2-0-0 wide will fit between the bottom chord and any other members.
 - 4) Bearing at joint(s) 4 considers parallel to grain value using ANSI/TPI 1 angle to grain formula. Building designer should verify capacity of bearing surface.
 - 5) Provide mechanical connection (by others) of truss to bearing plate at joint(s) 4.
 - 6) Provide mechanical connection (by others) of truss to bearing plate capable of withstanding 100 lb uplift at joint(s) 2, 4.



WARNING - Verify design parameters and READ NOTES ON THIS AND INCLUDED MITEK REFERENCE PAGE MII-7473 rev. 10/03/2015 BEFORE USE.

Design valid for use only with MiTek® connectors. This design is based only upon parameters shown, and is for an individual building component, not a truss system. Before use, the building designer must verify the applicability of design parameters and properly incorporate this design into the overall building design. Bracing indicated is to prevent buckling of individual truss web and/or chord members only. Additional temporary and permanent bracing is always required for stability and to prevent collapse with possible personal injury and property damage. For general guidance regarding the fabrication, storage, delivery, erection and bracing of trusses and truss systems, see ANSI/TPI Quality Criteria, DSB-89 and BCSI Building Component Safety Information available from Truss Plate Institute, 218 N. Lee Street, Suite 312, Alexandria, VA 22314.

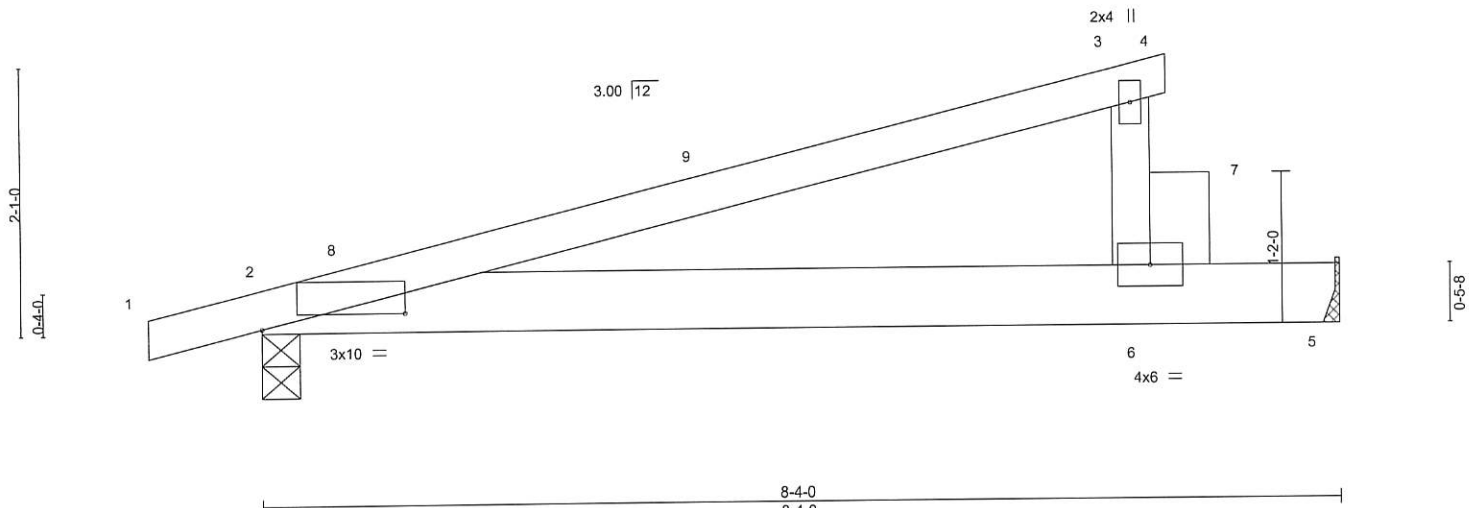
ENGINEERING BY
TRENCO
 A MiTek Affiliate
 818 Soundside Road
 Edenton, NC 27932

Job	Truss	Truss Type	Qty	Ply	E14484711
J0620-2872	M3	ROOF SPECIAL	6	1	

Comtech, Inc, Fayetteville, NC - 28314, 8.330 s May 6 2020 MiTek Industries, Inc. Mon Jun 8 10:33:21 2020 Page 1
 ID:BoL?hgXglYpqwdOiyUmcQyz41fz-wi4?Kc9_CvCU_HYF7bCbC?lrG9M?K1syKD_XuHz8N6y



Scale = 1:17.1



LOADING (psf)	SPACING-	CSI.	DEFL.	in (loc)	l/defl	L/d	PLATES	GRIP
TCLL 20.0	Plate Grip DOL 1.15	TC 0.71	Vert(LL) -0.11	2-6	>884	360	MT20	244/190
TCDL 10.0	Lumber DOL 1.15	BC 0.86	Vert(CT) -0.26	2-6	>373	240		
BCLL 0.0 *	Rep Stress Incr NO	WB 0.00	Horz(CT) 0.00	5	n/a	n/a		
BCDL 10.0	Code IRC2015/TPI2014	Matrix-P	Wind(LL) 0.17	2-6	>569	240	Weight: 35 lb	FT = 20%

LUMBER-
 TOP CHORD 2x4 SP No.1
 BOT CHORD 2x6 SP No.1
 WEBS 2x4 SP No.2 *Except*
 6-7: 2x6 SP No.1

BRACING-
 TOP CHORD Structural wood sheathing directly applied or 6-0-0 oc purlins, except end verticals.
 BOT CHORD Rigid ceiling directly applied or 7-8-6 oc bracing.

REACTIONS. (size) 2=0-3-8, 5=Mechanical
 Max Horz 2=68(LC 8)
 Max Uplift 2=-75(LC 8), 5=-58(LC 12)
 Max Grav 2=468(LC 1), 5=656(LC 1)

FORCES. (lb) - Max. Comp./Max. Ten. - All forces 250 (lb) or less except when shown.

- NOTES-**
- 1) Wind: ASCE 7-10; Vult=130mph (3-second gust) Vasd=103mph; TCDL=6.0psf; BCDL=6.0psf; h=15ft; Cat. II; Exp C; Enclosed; MWFRS (envelope) and C-C Exterior(2) -0-10-8 to 3-6-5, Interior(1) 3-6-5 to 7-0-0 zone; C-C for members and forces & MWFRS for reactions shown; Lumber DOL=1.60 plate grip DOL=1.60
 - 2) This truss has been designed for a 10.0 psf bottom chord live load nonconcurrent with any other live loads.
 - 3) * This truss has been designed for a live load of 30.0psf on the bottom chord in all areas where a rectangle 3-6-0 tall by 2-0-0 wide will fit between the bottom chord and any other members.
 - 4) Refer to girder(s) for truss to truss connections.
 - 5) Provide mechanical connection (by others) of truss to bearing plate capable of withstanding 100 lb uplift at joint(s) 2, 5.
 - 6) Hanger(s) or other connection device(s) shall be provided sufficient to support concentrated load(s) 500 lb down and 265 lb up at 7-1-12 on bottom chord. The design/selection of such connection device(s) is the responsibility of others.

LOAD CASE(S) Standard
 1) Dead + Roof Live (balanced): Lumber Increase=1.15, Plate Increase=1.15
 Uniform Loads (plf)
 Vert: 1-3=-60, 3-4=-20, 2-5=-20
 Concentrated Loads (lb)
 Vert: 6=-500

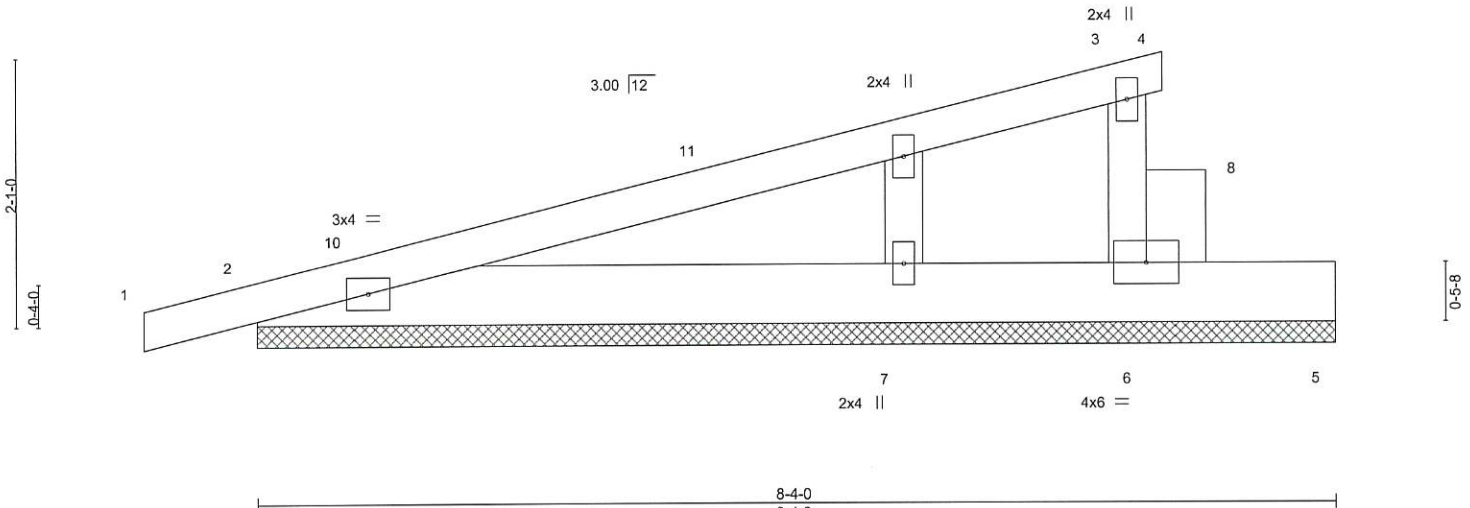


Job	Truss	Truss Type	Qty	Ply	Job Reference (optional)	E14484712
J0620-2872	M4	GABLE	1	1		

Comtech, Inc, Fayetteville, NC - 28314, 8.330 s May 6 2020 MiTek Industries, Inc. Mon Jun 8 10:33:22 2020 Page 1
 ID:BoL?hgXglYpqwdOiyUmcQyz41fz-OueOXxAczDKLcR7RgljqkDr1sZug3U66Ztk5Qjz8N6x



Scale = 1:17.1



LOADING (psf)	SPACING-	2-0-0	CSI.	DEFL.	in (loc)	l/defl	L/d	PLATES	GRIP
TCLL 20.0	Plate Grip DOL	1.15	TC 0.66	Vert(LL)	-0.01	4	n/r	MT20	244/190
TCDL 10.0	Lumber DOL	1.15	BC 0.06	Vert(CT)	0.01	4	n/r		
BCLL 0.0 *	Rep Stress Incr	YES	WB 0.00	Horz(CT)	0.00	6	n/a		
BCDL 10.0	Code IRC2015/TPI2014		Matrix-P					Weight: 37 lb	FT = 20%

LUMBER-
 TOP CHORD 2x4 SP No.1
 BOT CHORD 2x6 SP No.1
 WEBS 2x4 SP No.2 *Except*
 6-8: 2x6 SP No.1
 OTHERS 2x4 SP No.2

BRACING-
 TOP CHORD Structural wood sheathing directly applied or 6-0-0 oc purlins, except end verticals.
 BOT CHORD Rigid ceiling directly applied or 10-0-0 oc bracing.

REACTIONS. (size) 6=8-4-0, 2=8-4-0, 7=8-4-0
 Max Horz 2=96(LC 8)
 Max Uplift 6=109(LC 12), 2=133(LC 8)
 Max Grav 6=235(LC 1), 2=303(LC 1), 7=181(LC 3)

FORCES. (lb) - Max. Comp./Max. Ten. - All forces 250 (lb) or less except when shown.

- NOTES-**
- 1) Wind: ASCE 7-10; Vult=130mph (3-second gust) Vasd=103mph; TCDL=6.0psf; BCDL=6.0psf; h=15ft; Cat. II; Exp C; Enclosed; MWFRS (envelope) gable end zone and C-C Exterior(2) -0-10-8 to 3-6-5, Interior(1) 3-6-5 to 7-0-0 zone; C-C for members and forces & MWFRS for reactions shown; Lumber DOL=1.60 plate grip DOL=1.60
 - 2) Truss designed for wind loads in the plane of the truss only. For studs exposed to wind (normal to the face), see Standard Industry Gable End Details as applicable, or consult qualified building designer as per ANSI/TPI 1.
 - 3) Gable requires continuous bottom chord bearing.
 - 4) Gable studs spaced at 2-0-0 oc.
 - 5) This truss has been designed for a 10.0 psf bottom chord live load nonconcurrent with any other live loads.
 - 6) * This truss has been designed for a live load of 30.0psf on the bottom chord in all areas where a rectangle 3-6-0 tall by 2-0-0 wide will fit between the bottom chord and any other members.
 - 7) Provide mechanical connection (by others) of truss to bearing plate capable of withstanding 100 lb uplift at joint(s) except (jt=lb) 6=109, 2=133.



June 8, 2020

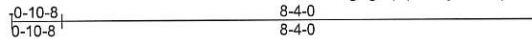
Job	Truss	Truss Type	Qty	Ply	Job Reference (optional)
J0620-2872	M5	GABLE	1	1	

E14484713

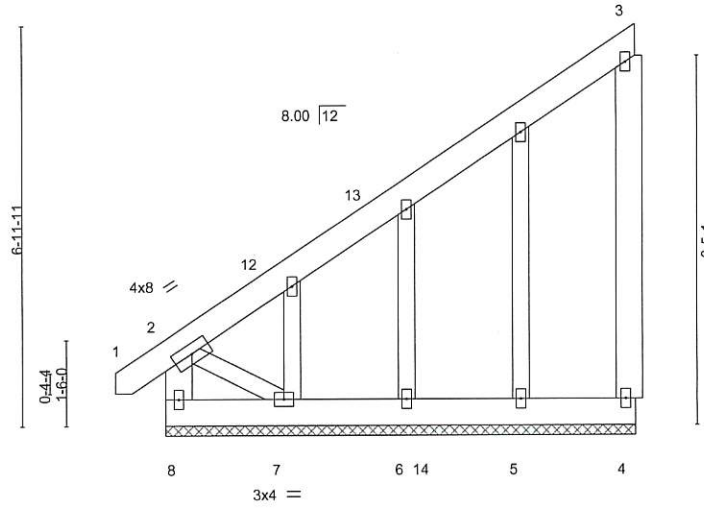
Comtech, Inc, Fayetteville, NC - 28314,

8.330 s May 6 2020 MiTek Industries, Inc. Mon Jun 8 10:33:22 2020 Page 1

ID:BoL?hgXglYpqwdOiyUmcQyz41fz-OueOxxAczDKLcR7RgljqkDr5_ZvK3UC6Ztk5Qjz8N6x



Scale = 1:38.6



LOADING (psf)	SPACING-	2-0-0	CSI.	DEFL.	in (loc)	l/defl	L/d	PLATES	GRIP
TCLL 20.0	Plate Grip DOL	1.15	TC 0.40	Vert(LL)	-0.02	1	n/r	MT20	244/190
TCDL 10.0	Lumber DOL	1.15	BC 0.02	Vert(CT)	0.01	1	n/r		
BCLL 0.0 *	Rep Stress Incr	YES	WB 0.06	Horz(CT)	-0.00	4	n/a		
BCDL 10.0	Code IRC2015/TPI2014		Matrix-P					Weight: 79 lb	FT = 20%

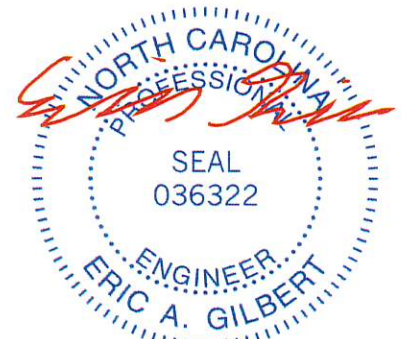
LUMBER-
 TOP CHORD 2x6 SP No.1
 BOT CHORD 2x6 SP No.1
 WEBS 2x6 SP No.1 *Except*
 2-7: 2x4 SP No.2
 OTHERS 2x4 SP No.2

BRACING-
 TOP CHORD Structural wood sheathing directly applied or 6-0-0 oc purlins, except end verticals.
 BOT CHORD Rigid ceiling directly applied or 10-0-0 oc bracing.

REACTIONS. All bearings 8-2-8.
 (lb) - Max Horz 8=271(LC 12)
 Max Uplift All uplift 100 lb or less at joint(s) except 4=206(LC 12), 7=-142(LC 12)
 Max Grav All reactions 250 lb or less at joint(s) 5, 6, 7 except 4=311(LC 19), 8=311(LC 1)

FORCES. (lb) - Max. Comp./Max. Ten. - All forces 250 (lb) or less except when shown.
 TOP CHORD 3-4=-301/226, 2-8=-298/0
 BOT CHORD 7-8=-280/225
 WEBS 2-7=-265/330

- NOTES-**
- 1) Wind: ASCE 7-10; Vult=130mph (3-second gust) Vasd=103mph; TC DL=6.0psf; BCDL=6.0psf; h=15ft; Cat. II; Exp C; Enclosed; MWFRS (envelope) gable end zone and C-C Exterior(2) -0-8-12 to 3-8-1, Interior(1) 3-8-1 to 8-1-0 zone; porch left and right exposed; C-C for members and forces & MWFRS for reactions shown; Lumber DOL=1.60 plate grip DOL=1.60
 - 2) Truss designed for wind loads in the plane of the truss only. For studs exposed to wind (normal to the face), see Standard Industry Gable End Details as applicable, or consult qualified building designer as per ANSI/TPI 1.
 - 3) All plates are 2x4 MT20 unless otherwise indicated.
 - 4) Gable requires continuous bottom chord bearing.
 - 5) Gable studs spaced at 2-0-0 oc.
 - 6) This truss has been designed for a 10.0 psf bottom chord live load nonconcurrent with any other live loads.
 - 7) * This truss has been designed for a live load of 30.0psf on the bottom chord in all areas where a rectangle 3-6-0 tall by 2-0-0 wide will fit between the bottom chord and any other members, with BCDL = 10.0psf.
 - 8) Provide mechanical connection (by others) of truss to bearing plate capable of withstanding 206 lb uplift at joint 4 and 142 lb uplift at joint 7.



June 8, 2020

WARNING - Verify design parameters and READ NOTES ON THIS AND INCLUDED MITEK REFERENCE PAGE MI-7473 rev. 10/03/2015 BEFORE USE.

Design valid for use only with MiTek® connectors. This design is based only upon parameters shown, and is for an individual building component, not a truss system. Before use, the building designer must verify the applicability of design parameters and properly incorporate this design into the overall building design. Bracing indicated is to prevent buckling of individual truss web and/or chord members only. Additional temporary and permanent bracing is always required for stability and to prevent collapse with possible personal injury and property damage. For general guidance regarding the fabrication, storage, delivery, erection and bracing of trusses and truss systems, see ANSI/TPI1 Quality Criteria, DSB-89 and BCSI Building Component Safety Information available from Truss Plate Institute, 218 N. Lee Street, Suite 312, Alexandria, VA 22314.



818 Soundside Road
 Edenton, NC 27932

Job	Truss	Truss Type	Qty	Ply	Job Reference (optional)
J0620-2872	M6	MONOPITCH	6	1	

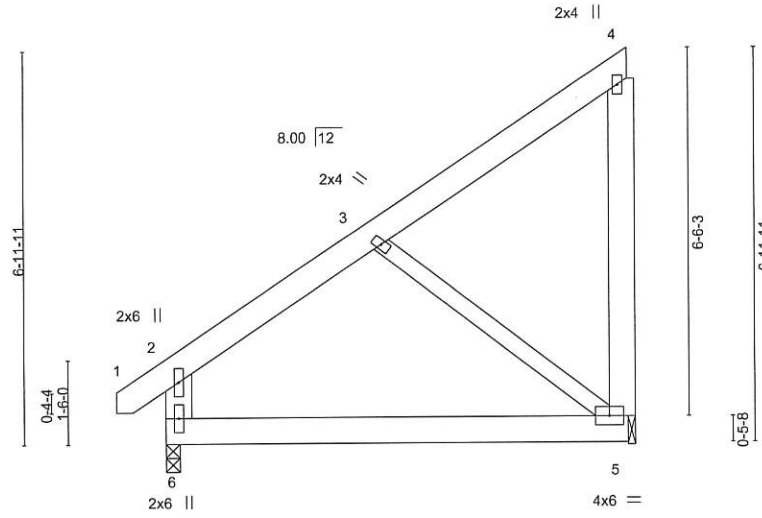
E14484714

Comtech, Inc. Fayetteville, NC - 28314,

8.330 s May 6 2020 MiTek Industries, Inc. Mon Jun 8 10:33:23 2020 Page 1
 ID:BoL?hgXglYpQwdOiyUmcQyz41fz-s5CmlHAFkXTCEbidE0E3HQNLzD5ovvFnXTez9z8N6w



Scale = 1:39.3



LOADING (psf)	SPACING-	CSI.	DEFL.	PLATES	GRIP
TCLL 20.0	2-0-0	TC 0.09	in (loc) l/defl L/d	MT20	244/190
TCDL 10.0	Plate Grip DOL 1.15	BC 0.18	Vert(LL) -0.03 5-6 >999 360		
BCLL 0.0 *	Lumber DOL 1.15	WB 0.16	Vert(CT) -0.06 5-6 >999 240		
BCDL 10.0	Rep Stress Incr YES	Matrix-S	Horz(CT) -0.00 5 n/a n/a		
	Code IRC2015/TPI2014		Wind(LL) 0.07 5-6 >999 240	Weight: 69 lb	FT = 20%

LUMBER-
 TOP CHORD 2x6 SP No.1
 BOT CHORD 2x6 SP No.1
 WEBS 2x6 SP No.1 *Except*
 3-5: 2x4 SP No.2

BRACING-
 TOP CHORD Structural wood sheathing directly applied or 6-0-0 oc purlins, except end verticals.
 BOT CHORD Rigid ceiling directly applied or 10-0-0 oc bracing.

REACTIONS. (size) 6=0-3-0, 5=0-1-8
 Max Horz 6=178(LC 12)
 Max Uplift 6=-27(LC 9), 5=-143(LC 9)
 Max Grav 6=376(LC 1), 5=310(LC 1)

FORCES. (lb) - Max. Comp./Max. Ten. - All forces 250 (lb) or less except when shown.
 TOP CHORD 2-3=-268/39, 2-6=-290/86
 BOT CHORD 5-6=-250/259
 WEBS 3-5=-313/285

- NOTES-**
- 1) Wind: ASCE 7-10; Vult=130mph (3-second gust) Vasd=103mph; TCCL=6.0psf; BCDL=6.0psf; h=15ft; Cat. II; Exp C; Enclosed; MWFRS (envelope) and C-C Exterior(2) -0-8-12 to 3-7-11, Interior(1) 3-7-11 to 8-1-0 zone; end vertical left exposed; porch left and right exposed; C-C for members and forces & MWFRS for reactions shown; Lumber DOL=1.60 plate grip DOL=1.60
 - 2) This truss has been designed for a 10.0 psf bottom chord live load nonconcurrent with any other live loads.
 - 3) * This truss has been designed for a live load of 30.0psf on the bottom chord in all areas where a rectangle 3-6-0 tall by 2-0-0 wide will fit between the bottom chord and any other members.
 - 4) Bearing at joint(s) 5 considers parallel to grain value using ANSI/TPI 1 angle to grain formula. Building designer should verify capacity of bearing surface.
 - 5) Provide mechanical connection (by others) of truss to bearing plate at joint(s) 5.
 - 6) Provide mechanical connection (by others) of truss to bearing plate capable of withstanding 27 lb uplift at joint 6 and 143 lb uplift at joint 5.



June 8, 2020

WARNING - Verify design parameters and READ NOTES ON THIS AND INCLUDED MITEK REFERENCE PAGE MI-7473 rev. 10/03/2015 BEFORE USE.

Design valid for use only with MiTek® connectors. This design is based only upon parameters shown, and is for an individual building component, not a truss system. Before use, the building designer must verify the applicability of design parameters and properly incorporate this design into the overall building design. Bracing indicated is to prevent buckling of individual truss web and/or chord members only. Additional temporary and permanent bracing is always required for stability and to prevent collapse with possible personal injury and property damage. For general guidance regarding the fabrication, storage, delivery, erection and bracing of trusses and truss systems, see ANSI/TPI1 Quality Criteria, DSB-89 and BCSI Building Component Safety Information available from Truss Plate Institute, 218 N. Lee Street, Suite 312, Alexandria, VA 22314.



818 Soundside Road
 Edenton, NC 27932

Job	Truss	Truss Type	Qty	Ply	E14484715
J0620-2872	P1	GABLE	1	1	Job Reference (optional)

Comtech, Inc, Fayetteville, NC - 28314, 8.330 s May 6 2020 MITek Industries, Inc. Mon Jun 8 10:33:24 2020 Page 1
 ID:BoL?hgXglYpqwdOiyUmcQyz41fz-KHm8ydBtVqb3rlHqojllpewRjMwMxNXp0BDBVcz8N6v 12-10-0 13-8-8

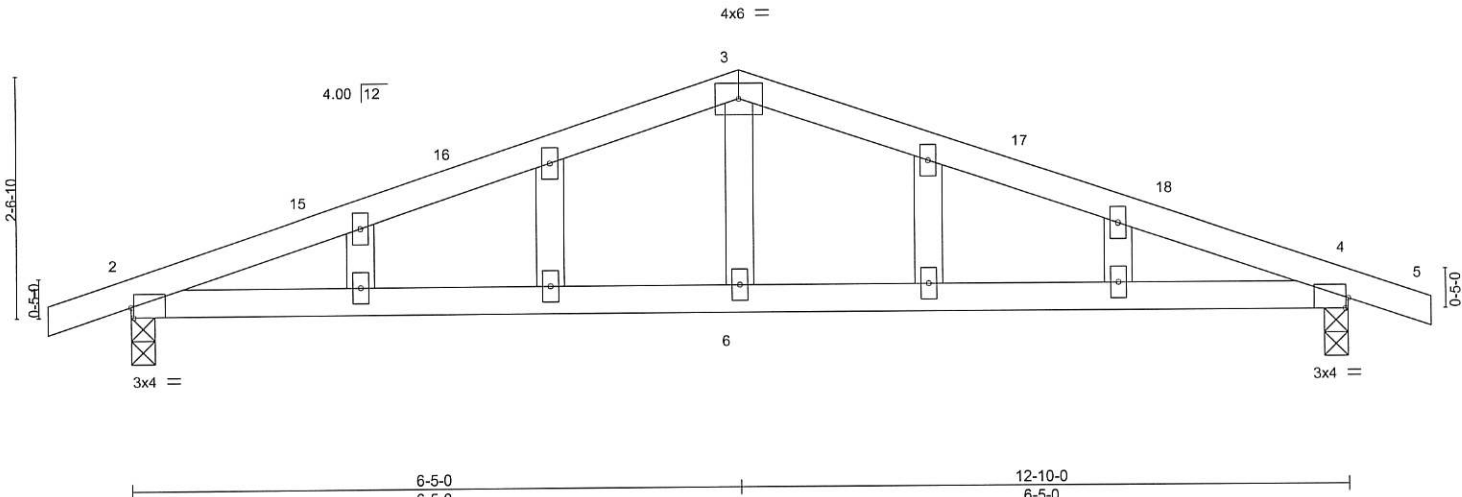


Plate Offsets (X,Y)-- [2:0-0-5,Edge], [4:0-0-5,Edge]

LOADING (psf)	SPACING-	2-0-0	CSI.	DEFL.	in	(loc)	l/defl	L/d	PLATES	GRIP
TCLL 20.0	Plate Grip DOL	1.15	TC 0.44	Vert(LL)	0.11	4-6	>999	240	MT20	244/190
TCDL 10.0	Lumber DOL	1.15	BC 0.34	Vert(CT)	-0.09	2-6	>999	240		
BCLL 0.0 *	Rep Stress Incr	YES	WB 0.07	Horz(CT)	0.01	4	n/a	n/a		
BCDL 10.0	Code IRC2015/TPI2014		Matrix-S						Weight: 51 lb	FT = 20%

LUMBER-
 TOP CHORD 2x4 SP No.1
 BOT CHORD 2x4 SP No.1
 WEBS 2x4 SP No.2
 OTHERS 2x4 SP No.2

BRACING-
 TOP CHORD Structural wood sheathing directly applied or 5-9-9 oc purlins.
 BOT CHORD Rigid ceiling directly applied or 6-6-10 oc bracing.

REACTIONS. (size) 2=0-3-0, 4=0-3-0
 Max Horz 2=-49(LC 17)
 Max Uplift 2=-309(LC 8), 4=-309(LC 9)
 Max Grav 2=563(LC 1), 4=563(LC 1)

FORCES. (lb) - Max. Comp./Max. Ten. - All forces 250 (lb) or less except when shown.
 TOP CHORD 2-3=-910/965, 3-4=-910/965
 BOT CHORD 2-6=-828/799, 4-6=-828/799
 WEBS 3-6=-383/303

- NOTES-**
- Unbalanced roof live loads have been considered for this design.
 - Wind: ASCE 7-10; Vult=130mph (3-second gust) Vasd=103mph; TCCL=6.0psf; BCDL=6.0psf; h=15ft; Cat. II; Exp C; Enclosed; MWFRS (envelope) gable end zone and C-C Exterior(2) -0-10-8 to 3-6-5, Interior(1) 3-6-5 to 6-5-0, Exterior(2) 6-5-0 to 10-9-13, Interior(1) 10-9-13 to 13-8-8 zone; porch left and right exposed; C-C for members and forces & MWFRS for reactions shown; Lumber DOL=1.60 plate grip DOL=1.60
 - Truss designed for wind loads in the plane of the truss only. For studs exposed to wind (normal to the face), see Standard Industry Gable End Details as applicable, or consult qualified building designer as per ANSI/TPI 1.
 - All plates are 2x4 MT20 unless otherwise indicated.
 - Gable studs spaced at 2-0-0 oc.
 - This truss has been designed for a 10.0 psf bottom chord live load nonconcurrent with any other live loads.
 - * This truss has been designed for a live load of 30.0psf on the bottom chord in all areas where a rectangle 3-6-0 tall by 2-0-0 wide will fit between the bottom chord and any other members.
 - Provide mechanical connection (by others) of truss to bearing plate capable of withstanding 309 lb uplift at joint 2 and 309 lb uplift at joint 4.



June 8, 2020

Job	Truss	Truss Type	Qty	Ply	Job Reference (optional)	E14484716
J0620-2872	P2	COMMON	2	1		

Comtech, Inc. Fayetteville, NC - 28314,

8.330 s May 6 2020 MiTek Industries, Inc. Mon Jun 8 10:33:25 2020 Page 1
ID:BoL?hgXglYpQwdOiyUmcQyz41fz-oTKWAzCVG8jwTvs0MRGXMrScTmr?GqnYFryl12z8N6u



Scale = 1:23.4

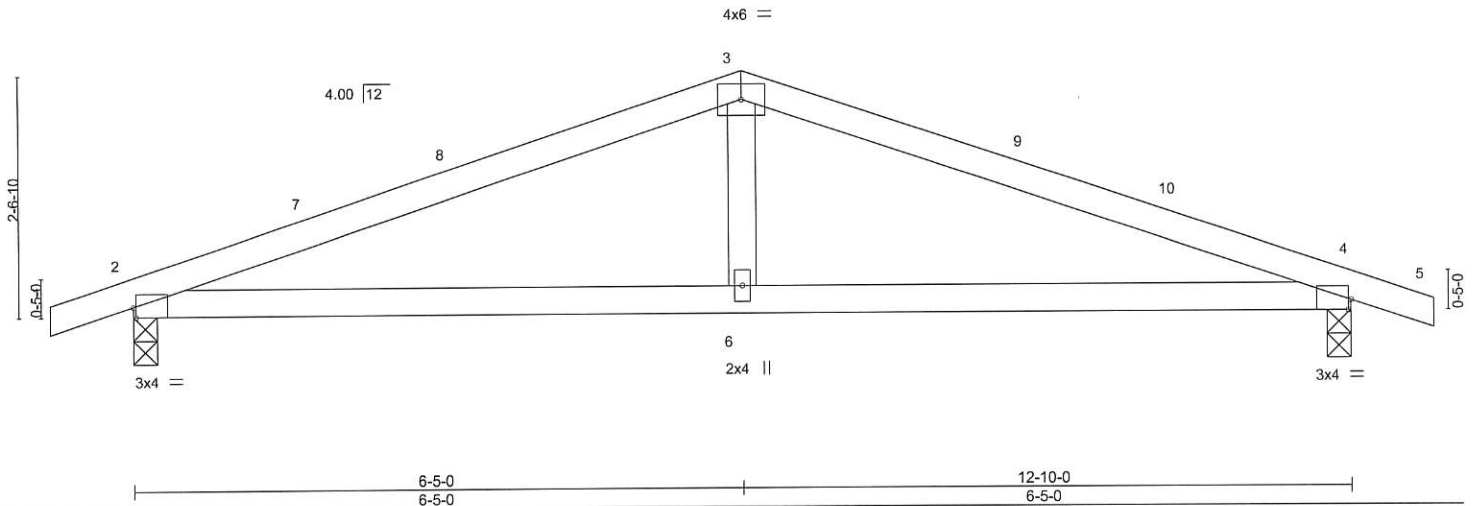


Plate Offsets (X,Y)--	[2:0-0-5,Edge], [4:0-0-5,Edge]					PLATES	GRIP
LOADING (psf)	SPACING- 2-0-0	CSI.	DEFL.	in (loc)	l/defl	L/d	Weight: 45 lb FT = 20%
TCLL 20.0	Plate Grip DOL 1.15	TC 0.44	Vert(LL) 0.11	4-6	>999	240	MT20 244/190
TCDL 10.0	Lumber DOL 1.15	BC 0.34	Vert(CT) -0.09	2-6	>999	240	
BCLL 0.0 *	Rep Stress Incr YES	WB 0.07	Horz(CT) 0.01	4	n/a	n/a	
BCDL 10.0	Code IRC2015/TPI2014	Matrix-S					

LUMBER-
TOP CHORD 2x4 SP No.1
BOT CHORD 2x4 SP No.1
WEBS 2x4 SP No.2

BRACING-
TOP CHORD Structural wood sheathing directly applied or 5-9-9 oc purlins.
BOT CHORD Rigid ceiling directly applied or 6-6-10 oc bracing.

REACTIONS. (size) 2=0-3-0, 4=0-3-0
Max Horz 2=-29(LC 13)
Max Uplift 2=-217(LC 8), 4=-217(LC 9)
Max Grav 2=563(LC 1), 4=563(LC 1)

FORCES. (lb) - Max. Comp./Max. Ten. - All forces 250 (lb) or less except when shown.
TOP CHORD 2-3=-910/965, 3-4=-910/965
BOT CHORD 2-6=-828/799, 4-6=-828/799
WEBS 3-6=-383/303

- NOTES-**
- 1) Unbalanced roof live loads have been considered for this design.
 - 2) Wind: ASCE 7-10; Vult=130mph (3-second gust) Vasd=103mph; TCCL=6.0psf; BCDL=6.0psf; h=15ft; Cat. II; Exp C; Enclosed; MWFRS (envelope) and C-C Exterior(2) -0-10-8 to 3-6-5, Interior(1) 3-6-5 to 6-5-0, Exterior(2) 6-5-0 to 10-9-13, Interior(1) 10-9-13 to 13-8-8 zone; porch left and right exposed; C-C for members and forces & MWFRS for reactions shown; Lumber DOL=1.60 plate grip DOL=1.60
 - 3) This truss has been designed for a 10.0 psf bottom chord live load nonconcurrent with any other live loads.
 - 4) * This truss has been designed for a live load of 30.0psf on the bottom chord in all areas where a rectangle 3-6-0 tall by 2-0-0 wide will fit between the bottom chord and any other members.
 - 5) Provide mechanical connection (by others) of truss to bearing plate capable of withstanding 217 lb uplift at joint 2 and 217 lb uplift at joint 4.



June 8, 2020

WARNING - Verify design parameters and READ NOTES ON THIS AND INCLUDED MITTEK REFERENCE PAGE MII-7473 rev. 10/03/2015 BEFORE USE.

Design valid for use only with MiTek® connectors. This design is based only upon parameters shown, and is for an individual building component, not a truss system. Before use, the building designer must verify the applicability of design parameters and properly incorporate this design into the overall building design. Bracing indicated is to prevent buckling of individual truss web and/or chord members only. Additional temporary and permanent bracing is always required for stability and to prevent collapse with possible personal injury and property damage. For general guidance regarding the fabrication, storage, delivery, erection and bracing of trusses and truss systems, see ANSI/TPI1 Quality Criteria, DSB-89 and BCSI Building Component Safety Information available from Truss Plate Institute, 218 N. Lee Street, Suite 312, Alexandria, VA 22314.

ENGINEERING BY
TRENCO
A MiTek Affiliate

818 Soundside Road
Edenton, NC 27932

Job	Truss	Truss Type	Qty	Ply	E14484717
J0620-2872	P3	COMMON	3	1	Job Reference (optional)

Comtech, Inc. Fayetteville, NC - 28314,

8.330 s May 6 2020 MITek Industries, Inc. Mon Jun 8 10:33:26 2020 Page 1

ID:BoL?hgXglYpqwdOiyUmcQyz41fz-HguuNJD71Srn52QCv8nmv3?mfABB?G1hTViZUz8N6t

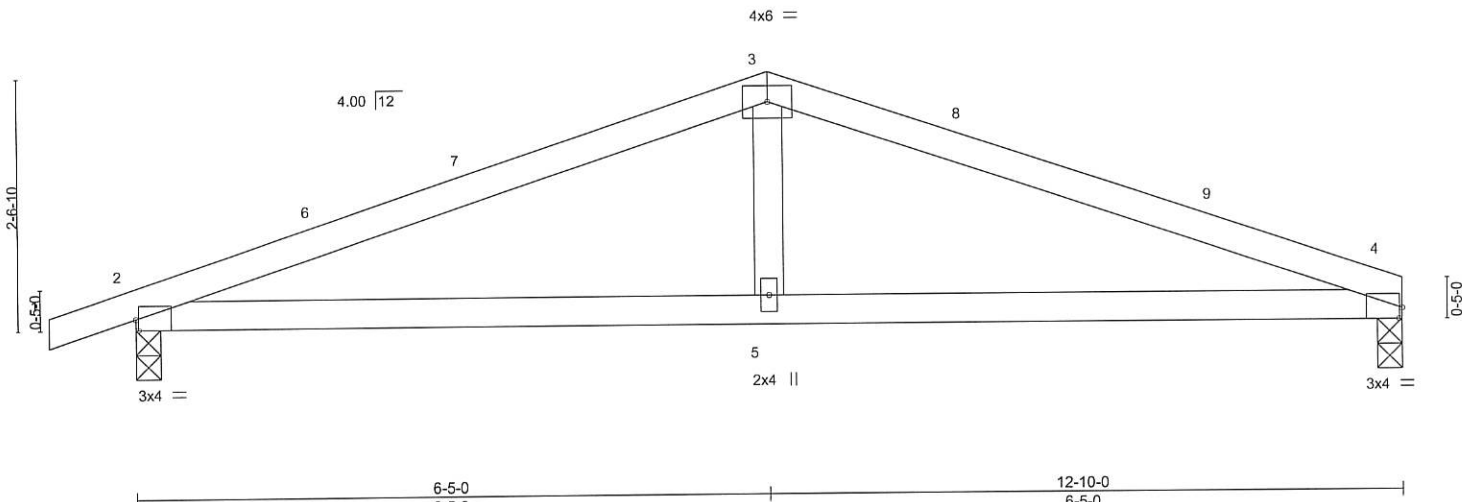


Plate Offsets (X, Y)--	[2:0-0-5,Edge], [4:0-0-5,Edge]				
LOADING (psf)	SPACING- 2-0-0	CSI.	DEFL. in (loc) l/defl L/d	PLATES	GRIP
TCLL 20.0	Plate Grip DOL 1.15	TC 0.48	Vert(LL) 0.11 4-5 >999 240	MT20	244/190
TCDL 10.0	Lumber DOL 1.15	BC 0.35	Vert(CT) -0.09 4-5 >999 240		
BCLL 0.0 *	Rep Stress Incr YES	WB 0.07	Horz(CT) 0.01 4 n/a n/a		
BCDL 10.0	Code IRC2015/TPI2014	Matrix-S		Weight: 44 lb	FT = 20%

LUMBER-
TOP CHORD 2x4 SP No.1
BOT CHORD 2x4 SP No.1
WEBS 2x4 SP No.2

BRACING-
TOP CHORD Structural wood sheathing directly applied or 5-7-10 oc purlins.
BOT CHORD Rigid ceiling directly applied or 6-4-14 oc bracing.

REACTIONS. (size) 4=0-3-0, 2=0-3-0
Max Horz 2=32(LC 12)
Max Uplift 4=-179(LC 9), 2=-217(LC 8)
Max Grav 4=501(LC 1), 2=566(LC 1)

FORCES. (lb) - Max. Comp./Max. Ten. - All forces 250 (lb) or less except when shown.
TOP CHORD 2-3=-918/984, 3-4=-916/993
BOT CHORD 2-5=-866/807, 4-5=-866/807
WEBS 3-5=-386/305

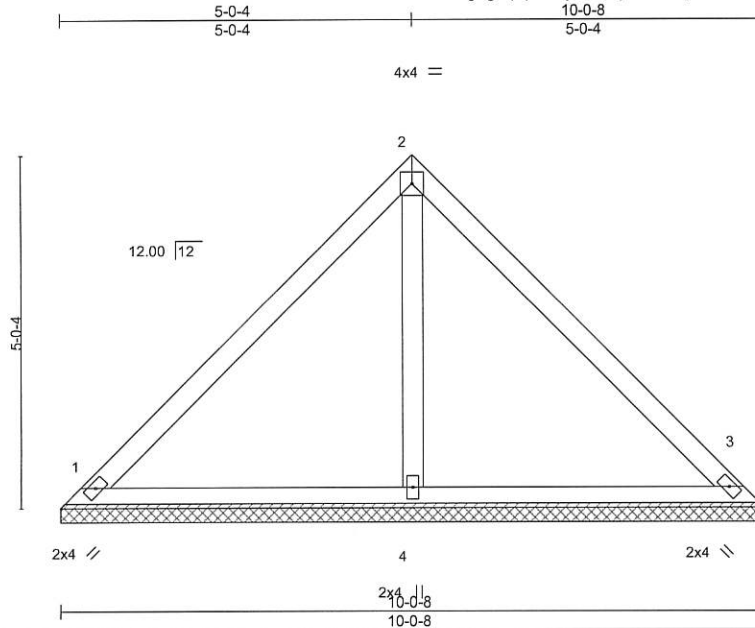
- NOTES-**
- 1) Unbalanced roof live loads have been considered for this design.
 - 2) Wind: ASCE 7-10; Vult=130mph (3-second gust) Vasd=103mph; TCCL=6.0psf; BCDL=6.0psf; h=15ft; Cat. II; Exp C; Enclosed; MWFRS (envelope) and C-C Exterior(2) -0-10-8 to 3-6-5, Interior(1) 3-6-5 to 6-5-0, Exterior(2) 6-5-0 to 10-9-13, Interior(1) 10-9-13 to 12-8-8 zone; porch left and right exposed; C-C for members and forces & MWFRS for reactions shown; Lumber DOL=1.60 plate grip DOL=1.60
 - 3) This truss has been designed for a 10.0 psf bottom chord live load nonconcurrent with any other live loads.
 - 4) * This truss has been designed for a live load of 30.0psf on the bottom chord in all areas where a rectangle 3-6-0 tall by 2-0-0 wide will fit between the bottom chord and any other members.
 - 5) Provide mechanical connection (by others) of truss to bearing plate capable of withstanding 179 lb uplift at joint 4 and 217 lb uplift at joint 2.



Job	Truss	Truss Type	Qty	Ply	Job Reference (optional)
J0620-2872	VB-1	VALLEY	1	1	E14484718

Comtech, Inc, Fayetteville, NC - 28314,

8.330 s May 6 2020 MiTek Industries, Inc. Mon Jun 8 10:33:26 2020 Page 1
 ID:BoL?hgXglYpqqwOiyUmcQyz41fz-HguuNJD71Srn52Qcv8nmv3?qQAE4?G0hTViIzUz8N6t



Scale = 1:31.6

LOADING (psf)	SPACING-	2-0-0	CSI.	DEFL.	in (loc)	l/defl	L/d	PLATES	GRIP
TCLL 20.0	Plate Grip DOL	1.15	TC 0.24	Vert(LL)	n/a	-	n/a	MT20	244/190
TCDL 10.0	Lumber DOL	1.15	BC 0.16	Vert(CT)	n/a	-	n/a		
BCLL 0.0 *	Rep Stress Incr	YES	WB 0.07	Horz(CT)	0.00	3	n/a		
BCDL 10.0	Code IRC2015/TPI2014		Matrix-S					Weight: 41 lb	FT = 20%

LUMBER-
 TOP CHORD 2x4 SP No.1
 BOT CHORD 2x4 SP No.1
 OTHERS 2x4 SP No.2

BRACING-
 TOP CHORD Structural wood sheathing directly applied or 6-0-0 oc purlins.
 BOT CHORD Rigid ceiling directly applied or 10-0-0 oc bracing.

REACTIONS. (size) 1=10-0-8, 3=10-0-8, 4=10-0-8
 Max Horz 1=112(LC 9)
 Max Uplift 1=28(LC 13), 3=28(LC 13)
 Max Grav 1=212(LC 1), 3=212(LC 1), 4=324(LC 1)

FORCES. (lb) - Max. Comp./Max. Ten. - All forces 250 (lb) or less except when shown.

NOTES-

- 1) Unbalanced roof live loads have been considered for this design.
- 2) Wind: ASCE 7-10; Vult=130mph (3-second gust) Vasd=103mph; TCDL=6.0psf; BCDL=6.0psf; h=15ft; Cat. II; Exp C; Enclosed; MWFRS (envelope) and C-C Exterior(2) zone;C-C for members and forces & MWFRS for reactions shown; Lumber DOL=1.60 plate grip DOL=1.60
- 3) Gable requires continuous bottom chord bearing.
- 4) This truss has been designed for a 10.0 psf bottom chord live load nonconcurrent with any other live loads.
- 5) * This truss has been designed for a live load of 30.0psf on the bottom chord in all areas where a rectangle 3-6-0 tall by 2-0-0 wide will fit between the bottom chord and any other members.
- 6) Provide mechanical connection (by others) of truss to bearing plate capable of withstanding 28 lb uplift at joint 1 and 28 lb uplift at joint 3.



June 8,2020

WARNING - Verify design parameters and READ NOTES ON THIS AND INCLUDED MITEK REFERENCE PAGE MII-7473 rev. 10/03/2015 BEFORE USE.

Design valid for use only with MiTek® connectors. This design is based only upon parameters shown, and is for an individual building component, not a truss system. Before use, the building designer must verify the applicability of design parameters and properly incorporate this design into the overall building design. Bracing indicated is to prevent buckling of individual truss web and/or chord members only. Additional temporary and permanent bracing is always required for stability and to prevent collapse with possible personal injury and property damage. For general guidance regarding the fabrication, storage, delivery, erection and bracing of trusses and truss systems, see ANSIT/TP1 Quality Criteria, DSB-89 and BCSI Building Component Safety Information available from Truss Plate Institute, 218 N. Lee Street, Suite 312, Alexandria, VA 22314.

ENGINEERING BY
TRENCO
 A MiTek Affiliate

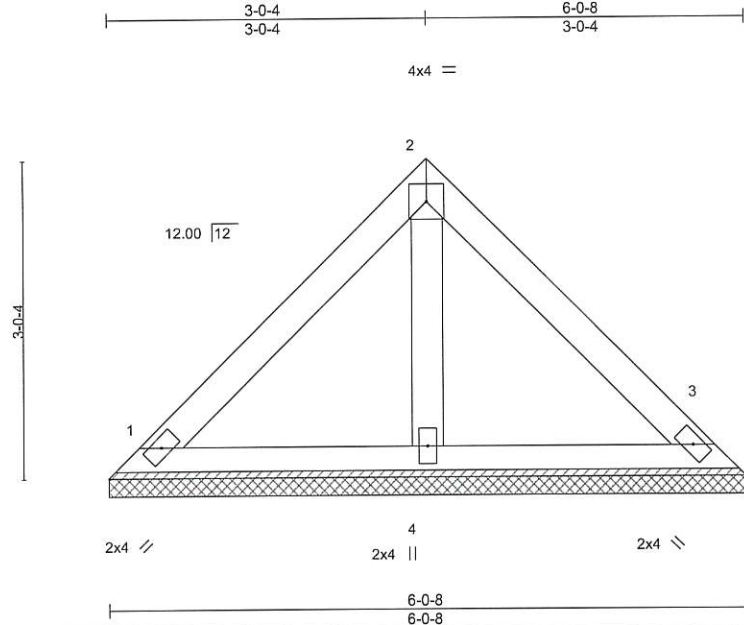
818 Soundside Road
 Edenton, NC 27932

Job	Truss	Truss Type	Qty	Ply	Job Reference (optional)	E14484720
J0620-2872	VB-3	VALLEY	1	1		

Comtech, Inc., Fayetteville, NC - 28314,

8.330 s May 6 2020 MiTek Industries, Inc. Mon Jun 8 10:33:28 2020 Page 1

ID:BoL?hgXgIYpqwdOiyUmcQyz41fz-D20fo?ENZ35VKMab1ZqE_U4Cq_yFTBM_xpBPeNz8N6r



Scale = 1:21.0

LOADING (psf)	SPACING-	CSI.	DEFL.	in	(loc)	l/defl	L/d	PLATES	GRIP
TCLL 20.0	2-0-0	TC 0.12	Vert(LL)	n/a	-	n/a	999	MT20	244/190
TCDL 10.0	Plate Grip DOL 1.15	BC 0.05	Vert(CT)	n/a	-	n/a	999		
BCLL 0.0 *	Lumber DOL 1.15	WB 0.02	Horz(CT)	0.00	3	n/a	n/a		
BCDL 10.0	Rep Stress Incr YES	Matrix-P						Weight: 24 lb	FT = 20%
	Code IRC2015/TPI2014								

LUMBER-
 TOP CHORD 2x4 SP No.1
 BOT CHORD 2x4 SP No.1
 OTHERS 2x4 SP No.2

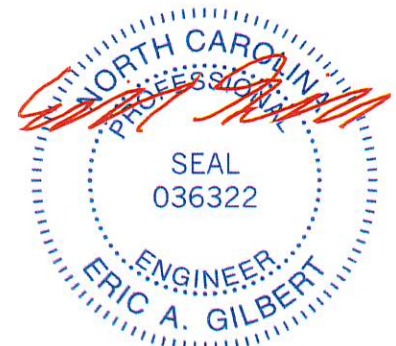
BRACING-
 TOP CHORD Structural wood sheathing directly applied or 6-0-0 oc purlins.
 BOT CHORD Rigid ceiling directly applied or 10-0-0 oc bracing.

REACTIONS. (size) 1=6-0-8, 3=6-0-8, 4=6-0-8
 Max Horz 1=64(LC 9)
 Max Uplift 1=-23(LC 13), 3=-23(LC 13)
 Max Grav 1=130(LC 1), 3=130(LC 1), 4=167(LC 1)

FORCES. (lb) - Max. Comp./Max. Ten. - All forces 250 (lb) or less except when shown.

NOTES-

- Unbalanced roof live loads have been considered for this design.
- Wind: ASCE 7-10; Vult=130mph (3-second gust) Vasd=103mph; TCDL=6.0psf; BCDL=6.0psf; h=15ft; Cat. II; Exp C; Enclosed; MWFRS (envelope) and C-C Exterior(2) zone;C-C for members and forces & MWFRS for reactions shown; Lumber DOL=1.60 plate grip DOL=1.60
- Gable requires continuous bottom chord bearing.
- This truss has been designed for a 10.0 psf bottom chord live load nonconcurrent with any other live loads.
- * This truss has been designed for a live load of 30.0psf on the bottom chord in all areas where a rectangle 3-6-0 tall by 2-0-0 wide will fit between the bottom chord and any other members.
- Provide mechanical connection (by others) of truss to bearing plate capable of withstanding 23 lb uplift at joint 1 and 23 lb uplift at joint 3.



June 8, 2020

WARNING - Verify design parameters and READ NOTES ON THIS AND INCLUDED MITEK REFERENCE PAGE MI-7473 rev. 10/03/2015 BEFORE USE.

Design valid for use only with MiTek® connectors. This design is based only upon parameters shown, and is for an individual building component, not a truss system. Before use, the building designer must verify the applicability of design parameters and properly incorporate this design into the overall building design. Bracing indicated is to prevent buckling of individual truss web and/or chord members only. Additional temporary and permanent bracing is always required for stability and to prevent collapse with possible personal injury and property damage. For general guidance regarding the fabrication, storage, delivery, erection and bracing of trusses and truss systems, see ANSITPI1 Quality Criteria, DSB-89 and BCSI Building Component Safety Information available from Truss Plate Institute, 218 N. Lee Street, Suite 312, Alexandria, VA 22314.

ENGINEERING BY
TRENCO
 A MiTek Affiliate

818 Soundside Road
 Edenton, NC 27932

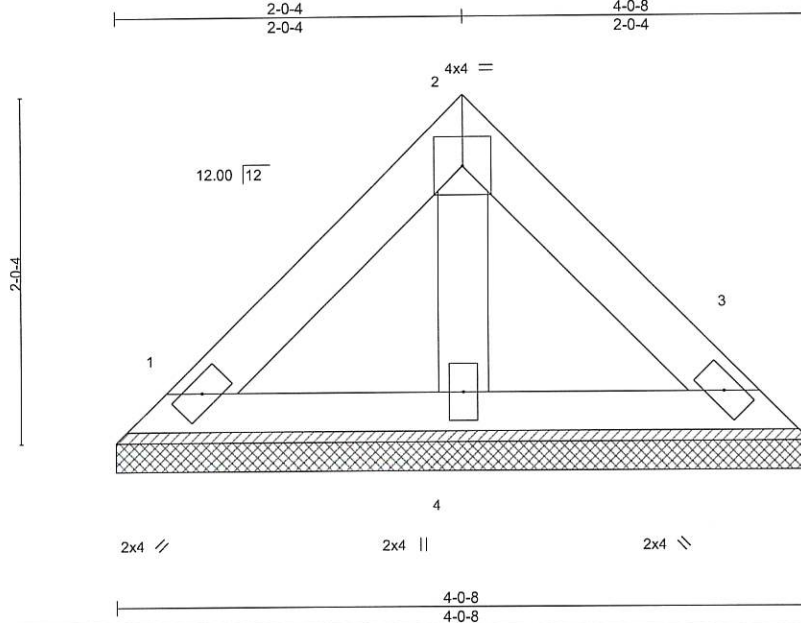
Job	Truss	Truss Type	Qty	Ply	Job Reference (optional)
J0620-2872	VB-4	VALLEY	1	1	

E14484721

Corntech, Inc. Fayetteville, NC - 28314,

8.330 s May 6 2020 MiTek Industries, Inc. Mon Jun 8 10:33:29 2020 Page 1

ID:BoL?hgXgIYpqwdOiyUmcQyz41fz-hEZ1?LF?KNDMyW9nbGLTWdOkNI_Cek8ATwyApz8N6q



Scale = 1:12.9

LOADING (psf)	SPACING-	CSI.	DEFL.	PLATES	GRIP
TCLL 20.0	2-0-0	TC 0.04	in (loc) l/defl L/d	MT20	244/190
TCDL 10.0	Plate Grip DOL 1.15	BC 0.02	Vert(LL) n/a - n/a 999		
BCLL 0.0 *	Lumber DOL 1.15	WB 0.01	Vert(CT) n/a - n/a 999		
BCDL 10.0	Rep Stress Incr YES	Matrix-P	Horz(CT) 0.00 3 n/a n/a		
	Code IRC2015/TPI2014			Weight: 15 lb	FT = 20%

LUMBER-
 TOP CHORD 2x4 SP No.1
 BOT CHORD 2x4 SP No.1
 OTHERS 2x4 SP No.2

BRACING-
 TOP CHORD Structural wood sheathing directly applied or 4-0-8 oc purlins.
 BOT CHORD Rigid ceiling directly applied or 10-0-0 oc bracing.

REACTIONS. (size) 1=4-0-8, 3=4-0-8, 4=4-0-8
 Max Horz 1=-40(LC 10)
 Max Uplift 1=-14(LC 13), 3=-14(LC 13)
 Max Grav 1=81(LC 1), 3=81(LC 1), 4=104(LC 1)

FORCES. (lb) - Max. Comp./Max. Ten. - All forces 250 (lb) or less except when shown.

NOTES-

- Unbalanced roof live loads have been considered for this design.
- Wind: ASCE 7-10; Vult=130mph (3-second gust) Vasd=103mph; TCDL=6.0psf; BCDL=6.0psf; h=15ft; Cat. II; Exp C; Enclosed; MWFRS (envelope) and C-C Exterior(2) zone;C-C for members and forces & MWFRS for reactions shown; Lumber DOL=1.60 plate grip DOL=1.60
- Gable requires continuous bottom chord bearing.
- This truss has been designed for a 10.0 psf bottom chord live load nonconcurrent with any other live loads.
- * This truss has been designed for a live load of 30.0psf on the bottom chord in all areas where a rectangle 3-6-0 tall by 2-0-0 wide will fit between the bottom chord and any other members.
- Provide mechanical connection (by others) of truss to bearing plate capable of withstanding 14 lb uplift at joint 1 and 14 lb uplift at joint 3.



June 8,2020

WARNING - Verify design parameters and READ NOTES ON THIS AND INCLUDED MITEK REFERENCE PAGE MI-7473 rev. 10/03/2015 BEFORE USE.

Design valid for use only with MiTek® connectors. This design is based only upon parameters shown, and is for an individual building component, not a truss system. Before use, the building designer must verify the applicability of design parameters and properly incorporate this design into the overall building design. Bracing indicated is to prevent buckling of individual truss web and/or chord members only. Additional temporary and permanent bracing is always required for stability and to prevent collapse with possible personal injury and property damage. For general guidance regarding the fabrication, storage, delivery, erection and bracing of trusses and truss systems, see ANSI/TPI1 Quality Criteria, DSB-89 and BCSI Building Component Safety Information available from Truss Plate Institute, 218 N. Lee Street, Suite 312, Alexandria, VA 22314.

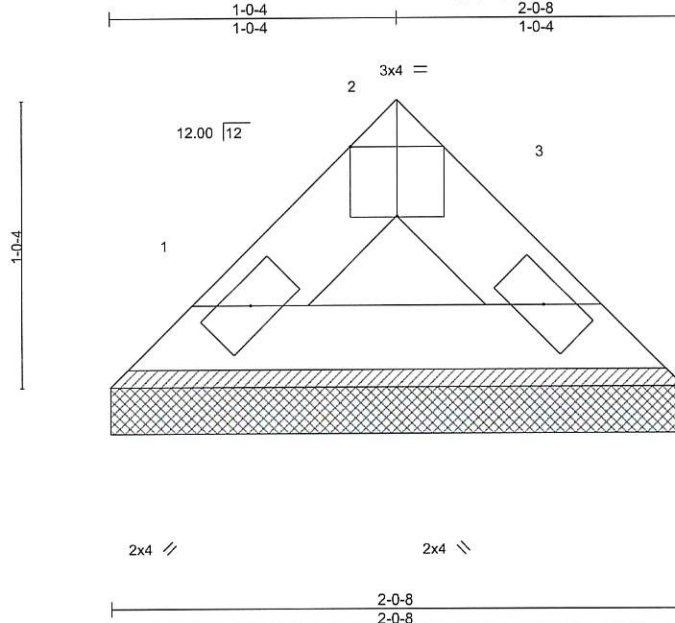


818 Soundside Road
 Edenton, NC 27932

Job	Truss	Truss Type	Qty	Ply	Job Reference (optional)	E14484722
J0620-2872	VB-5	VALLEY	1	1		

Comtech, Inc, Fayetteville, NC - 28314,

8.330 s May 6 2020 MiTek Industries, Inc. Mon Jun 8 10:33:30 2020 Page 1
 ID:BoL?hgXgIYpqwDQiyUmcQyz41fz-9R7PDhGe5gLDagk_8_si3vAZ1neKx54HO7gWIFz8N6p



Scale = 1:7.9

Plate Offsets (X,Y)-- [2:0-2-0,Edge]		CSI.		DEFL.		PLATES		GRIP	
LOADING (psf)	SPACING-	2-0-0	TC	in	(loc)	l/defl	L/d	MT20	244/190
TCLL 20.0	Plate Grip DOL	1.15	0.01	n/a	-	n/a	999		
TCDL 10.0	Lumber DOL	1.15	0.01	n/a	-	n/a	999		
BCLL 0.0 *	Rep Stress Incr	YES	0.00	0.00	3	n/a	n/a		
BCDL 10.0	Code	IRC2015/TPI2014	Matrix-P					Weight: 6 lb	FT = 20%

LUMBER-

TOP CHORD 2x4 SP No.1
 BOT CHORD 2x4 SP No.1

BRACING-

TOP CHORD Structural wood sheathing directly applied or 2-0-8 oc purlins.
 BOT CHORD Rigid ceiling directly applied or 10-0-0 oc bracing.

REACTIONS.

(size) 1=2-0-8, 3=2-0-8
 Max Horz 1=-16(LC 8)
 Max Uplift 1=-2(LC 12), 3=-2(LC 12)
 Max Grav 1=54(LC 1), 3=54(LC 1)

FORCES. (lb) - Max. Comp./Max. Ten. - All forces 250 (lb) or less except when shown.

NOTES-

- Unbalanced roof live loads have been considered for this design.
- Wind: ASCE 7-10; Vult=130mph (3-second gust) Vasd=103mph; TCDL=6.0psf; BC DL=6.0psf; h=15ft; Cat. II; Exp C; Enclosed; MWFRS (envelope) and C-C Exterior(2) zone; C-C for members and forces & MWFRS for reactions shown; Lumber DOL=1.60 plate grip DOL=1.60
- Gable requires continuous bottom chord bearing.
- This truss has been designed for a 10.0 psf bottom chord live load nonconcurrent with any other live loads.
- * This truss has been designed for a live load of 30.0psf on the bottom chord in all areas where a rectangle 3-6-0 tall by 2-0-0 wide will fit between the bottom chord and any other members.
- Provide mechanical connection (by others) of truss to bearing plate capable of withstanding 2 lb uplift at joint 1 and 2 lb uplift at joint 3.



June 8, 2020

WARNING - Verify design parameters and READ NOTES ON THIS AND INCLUDED MITEK REFERENCE PAGE MII-7473 rev. 10/03/2015 BEFORE USE.

Design valid for use only with MiTek® connectors. This design is based only upon parameters shown, and is for an individual building component, not a truss system. Before use, the building designer must verify the applicability of design parameters and properly incorporate this design into the overall building design. Bracing indicated is to prevent buckling of individual truss web and/or chord members only. Additional temporary and permanent bracing is always required for stability and to prevent collapse with possible personal injury and property damage. For general guidance regarding the fabrication, storage, delivery, erection and bracing of trusses and truss systems, see ANSI/TPI1 Quality Criteria, DSB-89 and BCSI Building Component Safety Information available from Truss Plate Institute, 218 N. Lee Street, Suite 312, Alexandria, VA 22314.

ENGINEERING BY
TRENCO
 A MiTek Affiliate

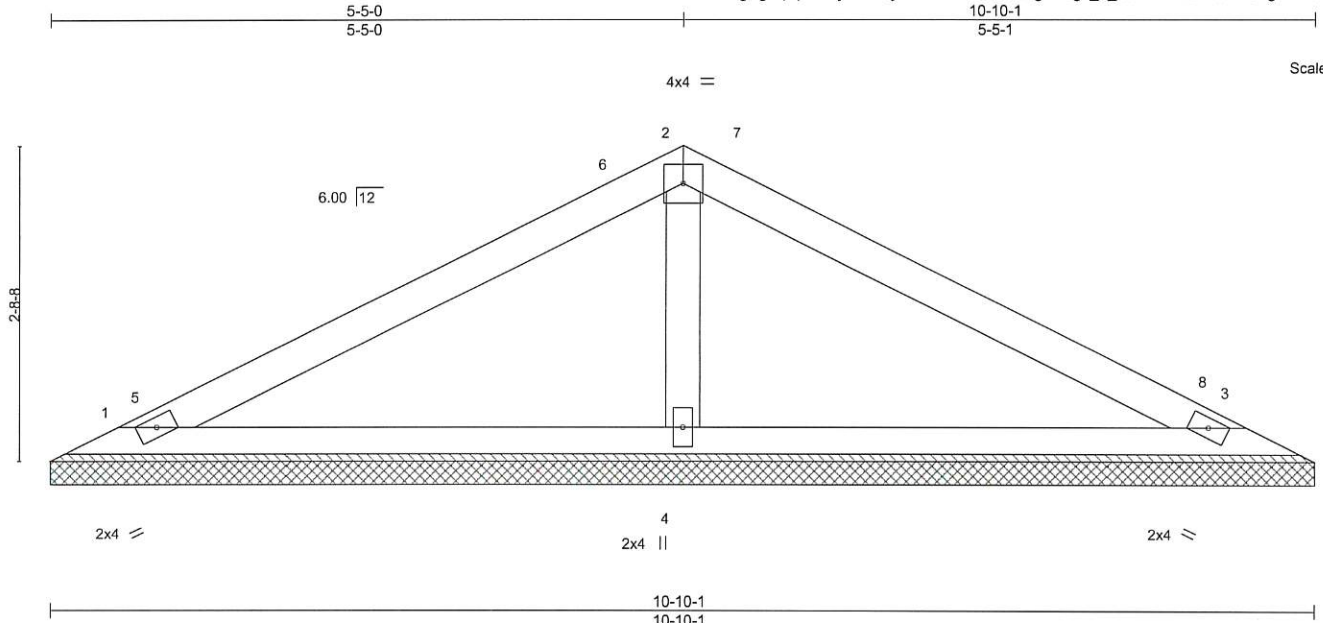
818 Soundside Road
 Edenton, NC 27932

Job	Truss	Truss Type	Qty	Ply	Job Reference (optional)
J0620-2872	VC-1	VALLEY	1	1	

E14484723

Comtech, Inc, Fayetteville, NC - 28314,

8.330 s May 6 2020 MiTek Industries, Inc. Mon Jun 8 10:33:30 2020 Page 1
 ID:BoL?hgXglYpqwdOiyUmcQyz41fz-9R7PDhGe5gLDagk_8_si3vAWPncxx5THO7gWiFz8N6p



Scale = 1:19.0

LOADING (psf)	SPACING-	CSI.	DEFL.	PLATES	GRIP
TCLL 20.0	2-0-0	TC 0.24	in (loc) l/defl L/d	MT20	244/190
TCDL 10.0	Plate Grip DOL 1.15	BC 0.17	Vert(LL) n/a - n/a 999		
BCLL 0.0 *	Lumber DOL 1.15	WB 0.04	Vert(CT) n/a - n/a 999		
BCDL 10.0	Rep Stress Incr YES	Matrix-S	Horz(CT) 0.00 3 n/a n/a		
	Code IRC2015/TPI2014			Weight: 35 lb	FT = 20%

LUMBER-
 TOP CHORD 2x4 SP No.1
 BOT CHORD 2x4 SP No.1
 OTHERS 2x4 SP No.2

BRACING-
 TOP CHORD Structural wood sheathing directly applied or 6-0-0 oc purlins.
 BOT CHORD Rigid ceiling directly applied or 10-0-0 oc bracing.

REACTIONS. (size) 1=10-10-1, 3=10-10-1, 4=10-10-1
 Max Horz 1=31(LC 11)
 Max Uplift 1=23(LC 12), 3=29(LC 13)
 Max Grav 1=178(LC 23), 3=178(LC 24), 4=417(LC 1)

FORCES. (lb) - Max. Comp./Max. Ten. - All forces 250 (lb) or less except when shown.
 WEBS 2-4=276/183

NOTES-

- Unbalanced roof live loads have been considered for this design.
- Wind: ASCE 7-10; Vult=130mph (3-second gust) Vasd=103mph; TCDL=6.0psf; BCDL=6.0psf; h=15ft; Cat. II; Exp C; Enclosed; MWFRS (envelope) and C-C Exterior(2) 0-7-7 to 5-0-3, Interior(1) 5-0-3 to 5-5-0, Exterior(2) 5-5-0 to 9-9-13, Interior(1) 9-9-13 to 10-2-10 zone; C-C for members and forces & MWFRS for reactions shown; Lumber DOL=1.60 plate grip DOL=1.60
- This truss has been designed for a 10.0 psf bottom chord live load nonconcurrent with any other live loads.
- * This truss has been designed for a live load of 30.0psf on the bottom chord in all areas where a rectangle 3-6-0 tall by 2-0-0 wide will fit between the bottom chord and any other members.
- Provide mechanical connection (by others) of truss to bearing plate capable of withstanding 23 lb uplift at joint 1 and 29 lb uplift at joint 3.
- Non Standard bearing condition. Review required.



June 8, 2020

WARNING - Verify design parameters and READ NOTES ON THIS AND INCLUDED MITEK REFERENCE PAGE MII-7473 rev. 10/03/2015 BEFORE USE.

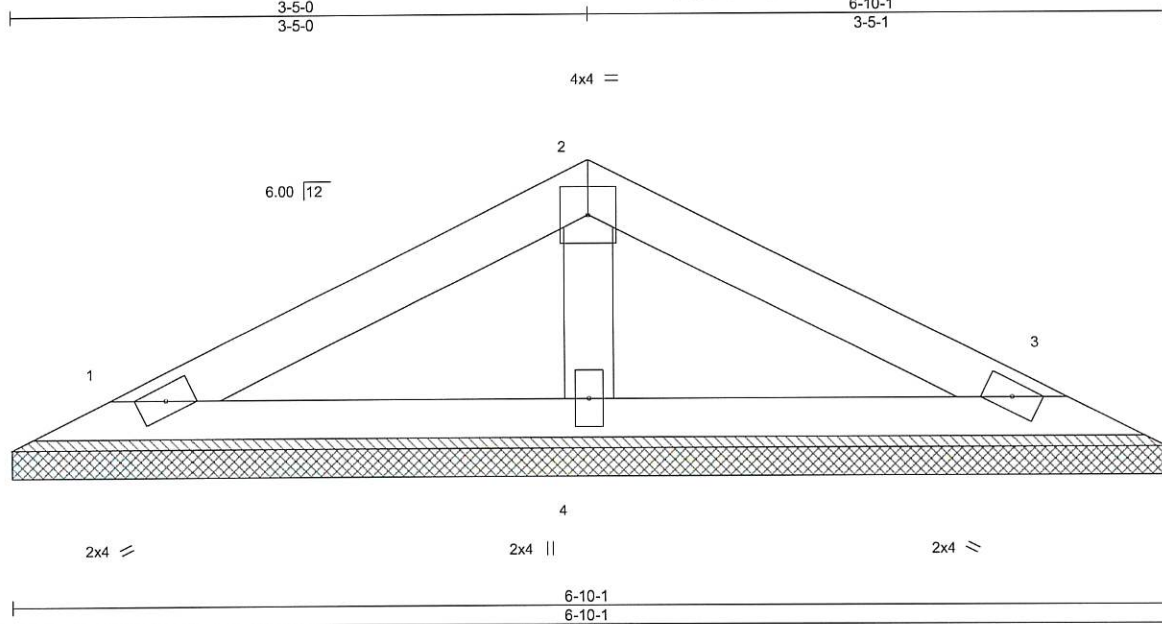
Design valid for use only with MiTek® connectors. This design is based only upon parameters shown, and is for an individual building component, not a truss system. Before use, the building designer must verify the applicability of design parameters and properly incorporate this design into the overall building design. Bracing indicated is to prevent buckling of individual truss web and/or chord members only. Additional temporary and permanent bracing is always required for stability and to prevent collapse with possible personal injury and property damage. For general guidance regarding the fabrication, storage, delivery, erection and bracing of trusses and truss systems, see ANSITPI1 Quality Criteria, DSB-89 and BCSI Building Component Safety Information available from Truss Plate Institute, 218 N. Lee Street, Suite 312, Alexandria, VA 22314.

ENGINEERING BY
TRENCO
 A MiTek Affiliate

818 Soundside Road
 Edenton, NC 27932

Job	Truss	Truss Type	Qty	Ply	...	E14484724
J0620-2872	VC-2	VALLEY	1	1	...	

Comtech, Inc. Fayetteville, NC - 28314, 8.330 s May 6 2020 MiTek Industries, Inc. Mon Jun 8 10:33:31 2020 Page 1
 ID:BoL?hgXgIYpqwdOiyUmcQyz41fz-ddhnQ0HGr_T3BqJAihNxc6jHbZtgY?RdnP3Fiz8N6o



LOADING (psf)	SPACING-	CSI.	DEFL.	in (loc)	l/defl	L/d	PLATES	GRIP
TCLL 20.0	Plate Grip DOL 1.15	TC 0.10	Vert(LL)	n/a	-	n/a	MT20	244/190
TCDL 10.0	Lumber DOL 1.15	BC 0.06	Vert(CT)	n/a	-	n/a		
BCLL 0.0 *	Rep Stress Incr YES	WB 0.02	Horz(CT)	0.00	3	n/a		
BCDL 10.0	Code IRC2015/TPI2014	Matrix-P					Weight: 21 lb	FT = 20%

LUMBER-	BRACING-
TOP CHORD 2x4 SP No.1	TOP CHORD Structural wood sheathing directly applied or 6-0-0 oc purlins.
BOT CHORD 2x4 SP No.1	BOT CHORD Rigid ceiling directly applied or 10-0-0 oc bracing.
OTHERS 2x4 SP No.2	

REACTIONS. (size) 1=6-10-1, 3=6-10-1, 4=6-10-1
 Max Horz 1=-18(LC 8)
 Max Uplift 1=-18(LC 12), 3=-21(LC 13)
 Max Grav 1=114(LC 1), 3=114(LC 1), 4=220(LC 1)

FORCES. (lb) - Max. Comp./Max. Ten. - All forces 250 (lb) or less except when shown.

- NOTES-**
- 1) Unbalanced roof live loads have been considered for this design.
 - 2) Wind: ASCE 7-10; Vult=130mph (3-second gust) Vasd=103mph; TCDL=6.0psf; BCDL=6.0psf; h=15ft; Cat. II; Exp C; Enclosed; MWFRS (envelope) and C-C Exterior(2) zone; C-C for members and forces & MWFRS for reactions shown; Lumber DOL=1.60 plate grip DOL=1.60
 - 3) This truss has been designed for a 10.0 psf bottom chord live load nonconcurrent with any other live loads.
 - 4) * This truss has been designed for a live load of 30.0psf on the bottom chord in all areas where a rectangle 3-6-0 tall by 2-0-0 wide will fit between the bottom chord and any other members.
 - 5) Provide mechanical connection (by others) of truss to bearing plate capable of withstanding 18 lb uplift at joint 1 and 21 lb uplift at joint 3.
 - 6) Non Standard bearing condition. Review required.

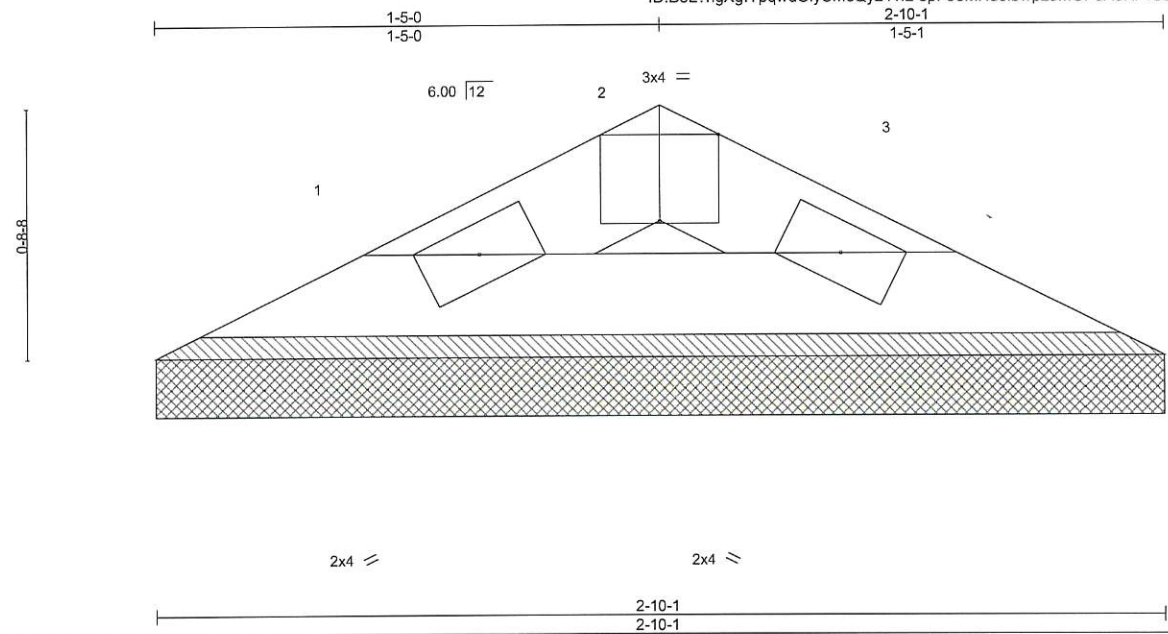


Job	Truss	Truss Type	Qty	Ply	Job Reference (optional)
J0620-2872	VC-3	VALLEY	1	1	

E14484725

Comtech, Inc. Fayetteville, NC - 28314,

8.330 s May 6 2020 MiTek Industries, Inc. Mon Jun 8 10:33:32 2020 Page 1
 ID:BoL?hgXglYpqwdOiyUmcQyz41fz-5pF9eMHuclbwpzuMGPUA8KFvSbJhP?aaSr9cn8z8N6n



Scale = 1:6.2

Plate Offsets (X,Y)--		[2:0-2-0,Edge]							
LOADING (psf)	SPACING-	2-0-0	CSI.	DEFLL	in (loc)	l/defl	L/d	PLATES	GRIP
TCLL 20.0	Plate Grip DOL	1.15	TC 0.01	Vert(LL)	n/a	-	n/a	MT20	244/190
TCDL 10.0	Lumber DOL	1.15	BC 0.02	Vert(CT)	n/a	-	n/a		
BCLL 0.0 *	Rep Stress Incr	YES	WB 0.00	Horz(CT)	0.00	3	n/a	Weight: 7 lb	FT = 20%
BCDL 10.0	Code	IRC2015/TPI2014	Matrix-P						

LUMBER-	BRACING-
TOP CHORD 2x4 SP No.1	TOP CHORD Structural wood sheathing directly applied or 2-10-1 oc purlins.
BOT CHORD 2x4 SP No.1	BOT CHORD Rigid ceiling directly applied or 10-0-0 oc bracing.

REACTIONS. (size) 1=2-10-1, 3=2-10-1
 Max Horz 1=-5(LC 8)
 Max Uplift 1=-4(LC 12), 3=-4(LC 13)
 Max Grav 1=64(LC 1), 3=64(LC 1)

FORCES. (lb) - Max. Comp./Max. Ten. - All forces 250 (lb) or less except when shown.

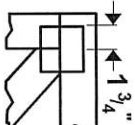
- NOTES-
- Unbalanced roof live loads have been considered for this design.
 - Wind: ASCE 7-10; Vult=130mph (3-second gust) Vasd=103mph; TCDL=6.0psf; BCDL=6.0psf; h=15ft; Cat. II; Exp C; Enclosed; MWFRS (envelope) and C-C Exterior(2) zone; C-C for members and forces & MWFRS for reactions shown; Lumber DOL=1.60 plate grip DOL=1.60
 - This truss has been designed for a 10.0 psf bottom chord live load nonconcurrent with any other live loads.
 - * This truss has been designed for a live load of 30.0psf on the bottom chord in all areas where a rectangle 3-6-0 tall by 2-0-0 wide will fit between the bottom chord and any other members.
 - Provide mechanical connection (by others) of truss to bearing plate capable of withstanding 4 lb uplift at joint 1 and 4 lb uplift at joint 3.
 - Non Standard bearing condition. Review required.
 - Warning: Additional permanent and stability bracing for truss system (not part of this component design) is always required.



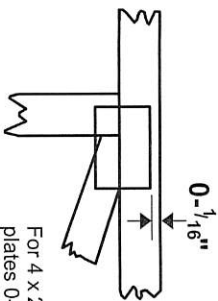
June 8,2020

Symbols

PLATE LOCATION AND ORIENTATION



Center plate on joint unless x, y offsets are indicated. Dimensions are in feet-in-sixteenths. Apply plates to both sides of truss and fully embed teeth.



For 4 x 2 orientation, locate plates 0- $\frac{1}{16}$ " from outside edge of truss.



This symbol indicates the required direction of slots in connector plates.

* Plate location details available in MITtek 2012 software or upon request.

PLATE SIZE

4 X 4

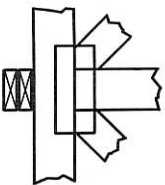
The first dimension is the plate width measured perpendicular to slots. Second dimension is the length parallel to slots.

LATERAL BRACING LOCATION



Indicated by symbol shown and/or by text in the bracing section of the output. Use T or I bracing if indicated.

BEARING



Indicates location where bearings (supports) occur. Icons vary but reaction section indicates joint number where bearings occur. Min size shown is for crushing only.

Industry Standards:

ANSI/TP11: National Design Specification for Metal

Plate Connected Wood Truss Construction.

DSB-89: Design Standard for Bracing.

BCSI: Building Component Safety Information,

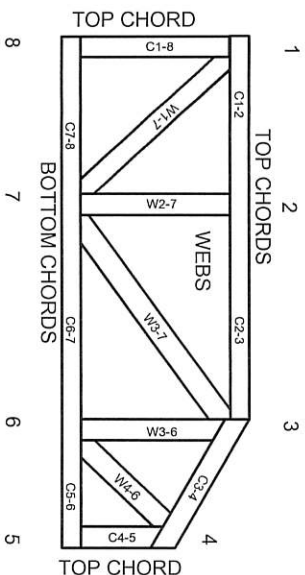
Guide to Good Practice for Handling,

Installing & Bracing of Metal Plate

Connected Wood Trusses.

Numbering System

6-4-8 dimensions shown in feet-in-sixteenths (Drawings not to scale)



JOINTS ARE GENERALLY NUMBERED/CLOCKWISE AROUND THE TRUSS STARTING AT THE JOINT FARTHEST TO THE LEFT.

CHORDS AND WEBS ARE IDENTIFIED BY END JOINT NUMBERS/LETTERS.

PRODUCT CODE APPROVALS

ICC-ES Reports:

ESR-1311, ESR-1352, ESR1988

ER-3907, ESR-2362, ESR-1397, ESR-3282

Trusses are designed for wind loads in the plane of the truss unless otherwise shown.

Lumber design values are in accordance with ANSI/TP1 section 6.3 These truss designs rely on lumber values established by others.

© 2012 MITtek® All Rights Reserved

General Safety Notes

Failure to Follow Could Cause Property Damage or Personal Injury

1. Additional stability bracing for truss system, e.g. diagonal or X-bracing, is always required. See BCSI.
2. Truss bracing must be designed by an engineer. For wide truss spacing, individual lateral braces themselves may require bracing, or alternative Tor 1 bracing should be considered.
3. Never exceed the design loading shown and never stack materials on inadequately braced trusses.
4. Provide copies of this truss design to the building designer, erection supervisor, property owner and all other interested parties.
5. Cut members to bear tightly against each other.
6. Place plates on each face of truss at each joint and embed fully. Knots and warps at joint locations are regulated by ANSI/TP 1.
7. Design assumes trusses will be suitably protected from the environment in accord with ANSI/TP 1.
8. Unless otherwise noted, moisture content of lumber shall not exceed 19% at time of fabrication.
9. Unless expressly noted, this design is not applicable for use with fire retardant, preservative treated, or green lumber.
10. Camber is a non-structural consideration and is the responsibility of truss fabricator. General practice is to camber for dead load deflection.
11. Plate type, size, orientation and location dimensions indicated are minimum plating requirements.
12. Lumber used shall be of the species and size, and in all respects, equal to or better than that specified.
13. Top chords must be sheathed or purfins provided at spacing indicated on design.
14. Bottom chords require lateral bracing at 10 ft. spacing, or less, if no ceiling is installed, unless otherwise noted.
15. Connections not shown are the responsibility of others.
16. Do not cut or alter truss member or plate without prior approval of an engineer.
17. Install and load vertically unless indicated otherwise.
18. Use of green or treated lumber may pose unacceptable environmental, health or performance risks. Consult with project engineer before use.
19. Review all portions of this design (front, back, words and pictures) before use. Reviewing pictures alone is not sufficient.
20. Design assumes manufacture in accordance with ANSI/TP 1 Quality Criteria.



MITtek Engineering Reference Sheet: MIT-7473 rev. 10/03/2015