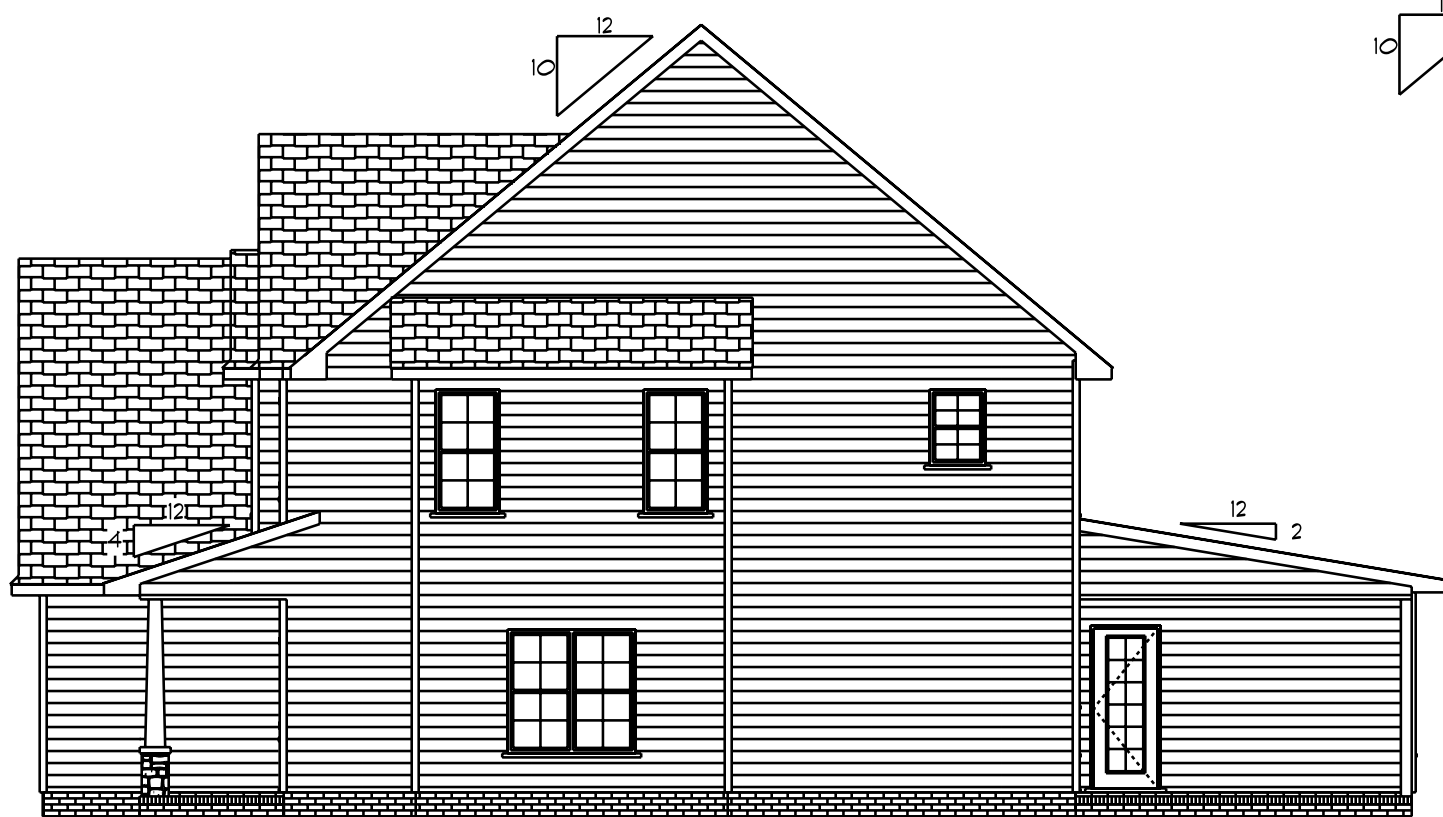




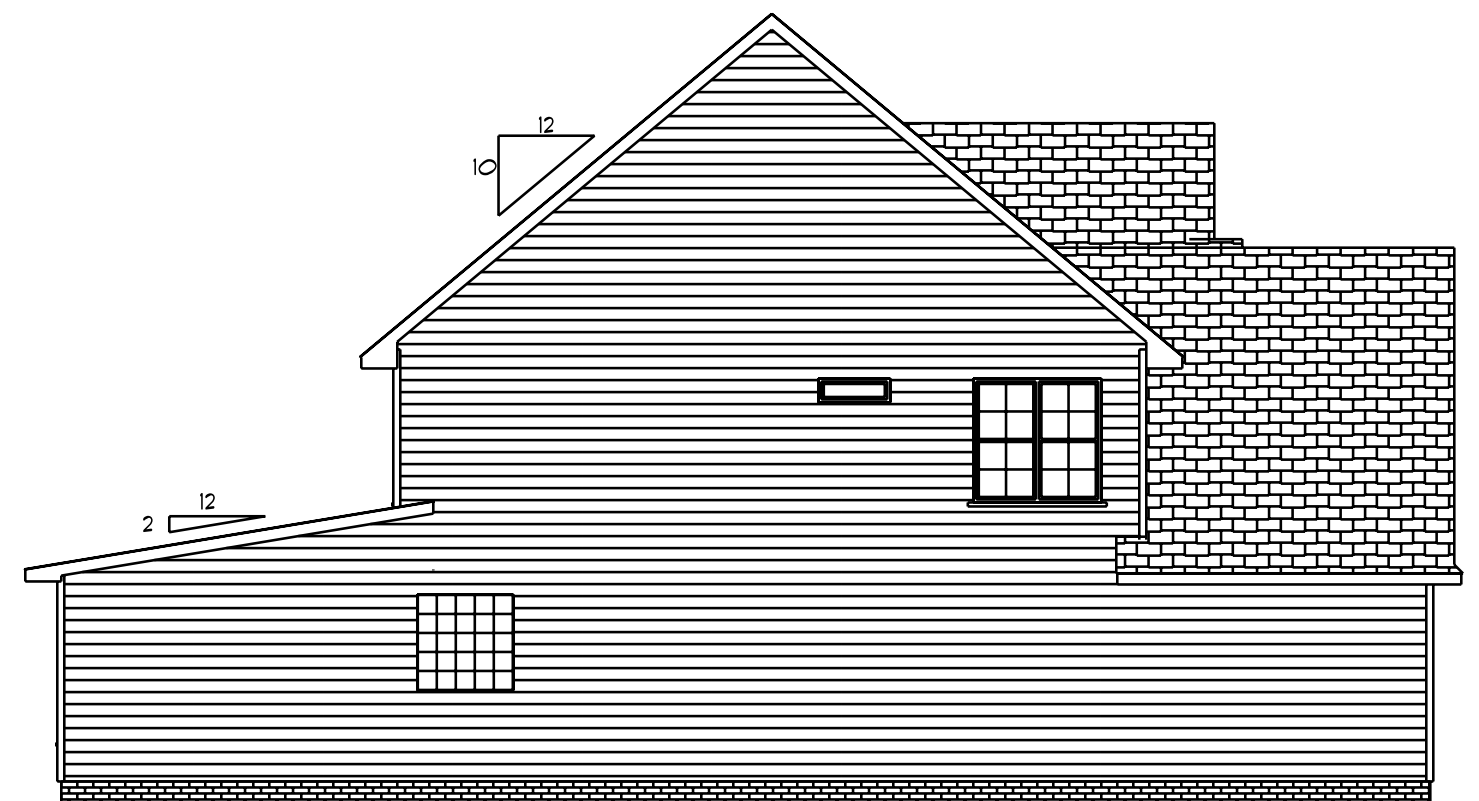
Front Elevation
Scale: 1/4" = 1'0"



Right Elevation
Scale: 1/8" = 1'0"



Rear Elevation
Scale: 1/8" = 1'0"



Left Elevation
Scale: 1/8" = 1'0"

DATE: 5/4/2020

REVISED

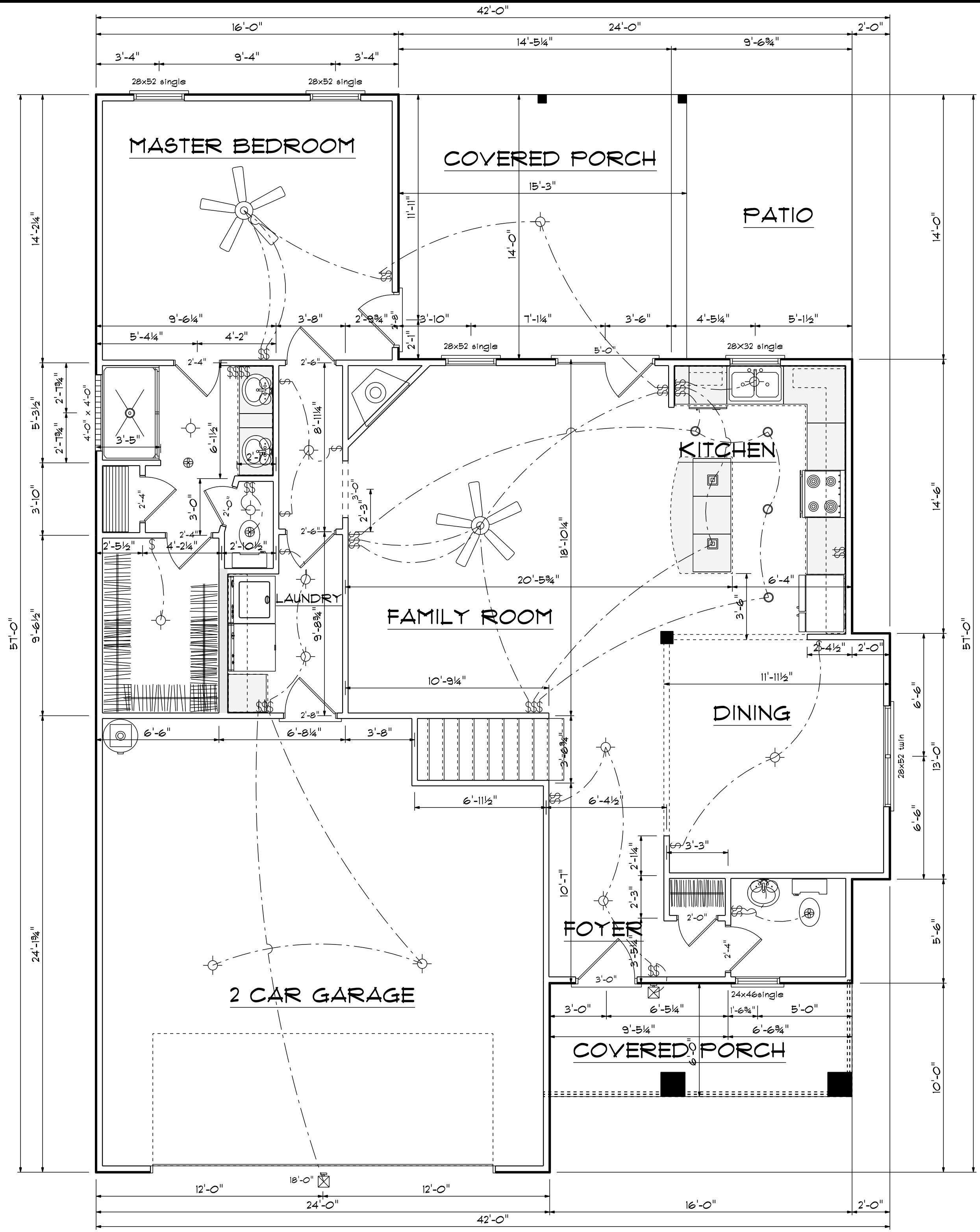
DRAWING#

SCALE: 1/4"

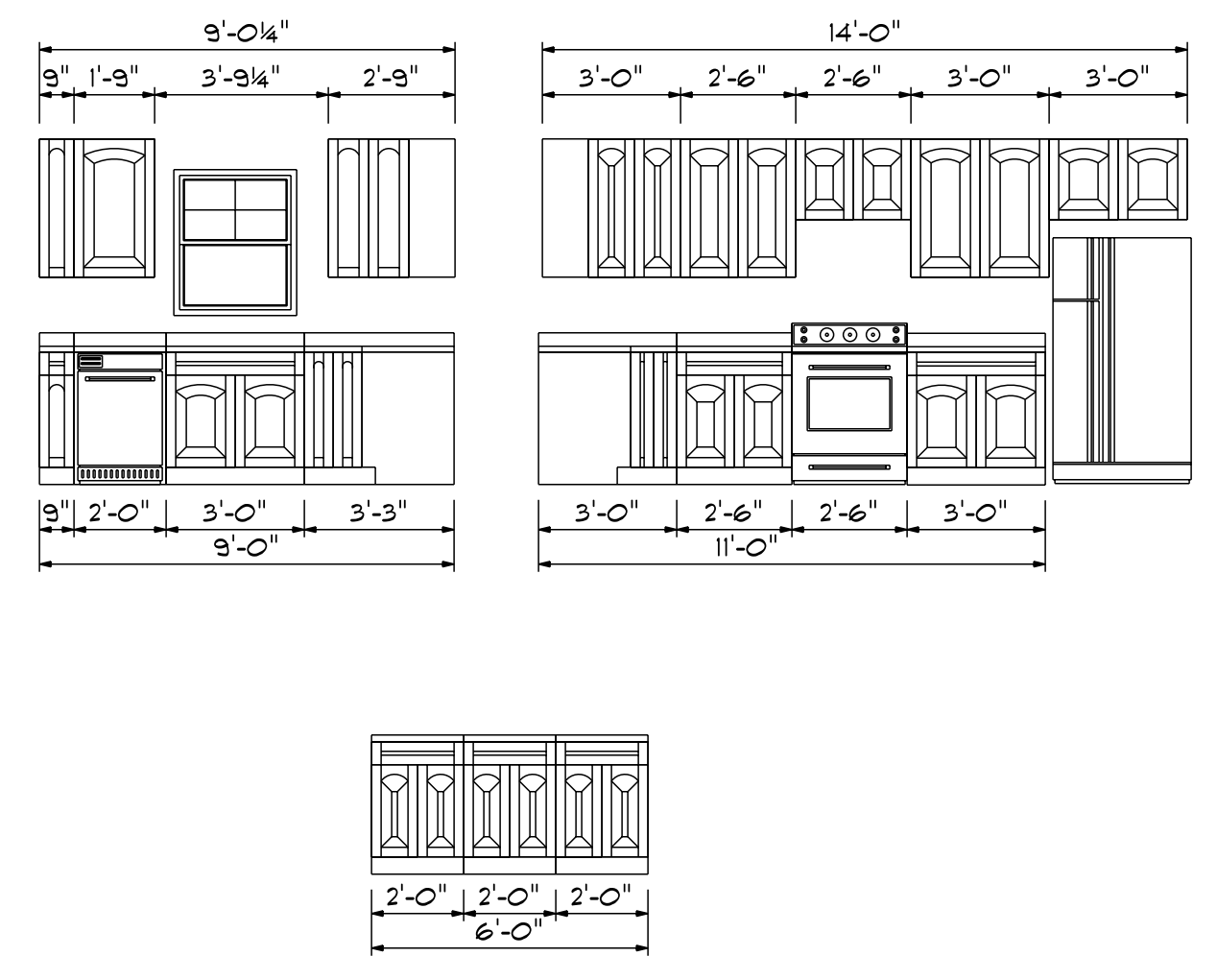
DRAWN BY

APPROVED

The Beaumont



Kitchen Cabinets



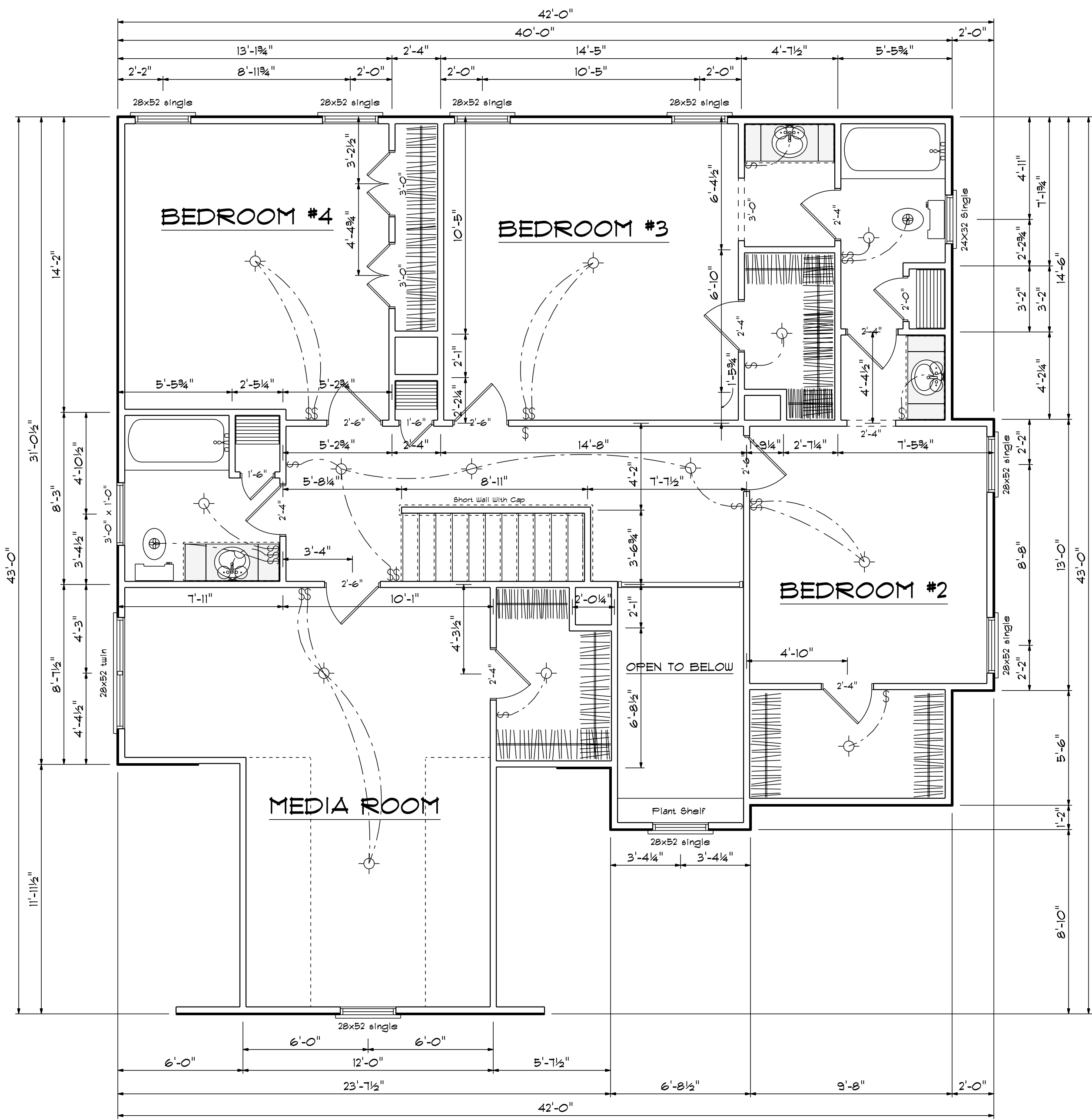
FIRST FLOOR OPENING SCHEDULE			
PRODUCT CODE	SIZE	HINGE	COUNT
36X80 COLONIAL A 1	3'-0"	L	1
32X80 FRENCH A 1	2'-8"	L	1
60X80 FRENCH A 2-MODIFIED	5'-0"	LN	1
192X84 - 8 PANEL GARAGE DOOR	18'-0"	U	1
2-0 Door Unit	2'-0"	L	2
2-4 Door Unit	2'-4"	R	3
2-4 Door Unit	2'-4"	L	1
2-6 Door Unit	2'-6"	R	1
2-6 Door Unit	2'-6"	L	1
2-8 Door Unit	2'-8"	R	1
24x46single	2'-4" x 4'-6"	N	1
28X32 single	2'-8" x 3'-2"	N	1
28x52 single	2'-8" x 5'-2"	N	3
28x52 twin	5'-4" x 5'-2"	NN	1
4X8 GLASS BLOCK	4'-0" x 4'-0"	N	1

Areas

First Floor	1269
Second Floor	1354
=====	
Total Heated	2623
Garage	550
Front Porch	97
Rear Porch	214

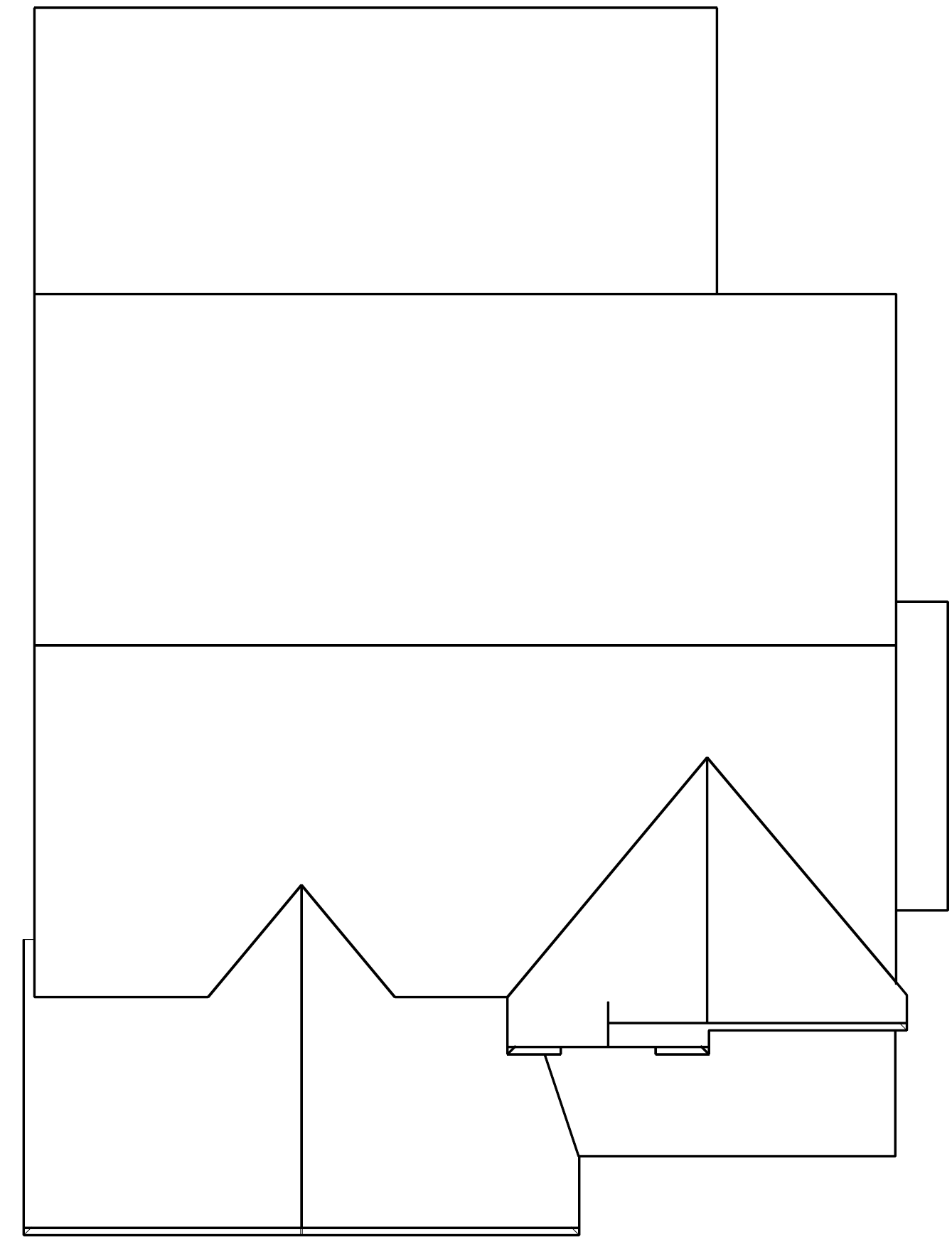
DATE: 5/4/2020
 REVISED
 DRAWING#
 SCALE: 1/4"
 DRAWN BY
 APPROVED

The Beaumont



Second Floor Plan
Scale: 1/4" = 1'-0"

SECOND FLOOR OPENING SCHEDULE			
PRODUCT CODE	SIZE	HINGE	COUNT
1-6 Door Unit	1'-6"	L	2
2-0 Door Unit	2'-0"	L	1
2-4 Door Unit	2'-4"	R	3
2-4 Door Unit	2'-4"	L	3
2-6 Door Unit	2'-6"	R	1
2-6 Door Unit	2'-6"	L	3
3-0 Doublehung Door Unit	3'-0"	LR	2
24X32 Single	2'-4" x 3'-2"	N	1
28x52 single	2'-8" x 5'-2"	N	8
28x52 twin	5'-4" x 5'-2"	NN	1
36X12 TRANSOM	3'-0" x 1'-0"	N	1

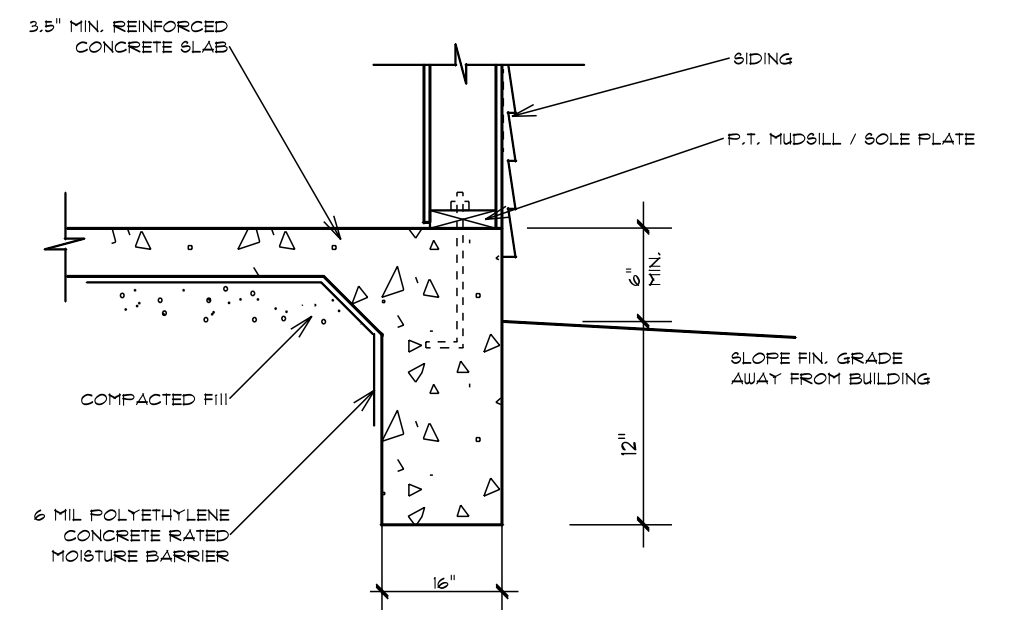
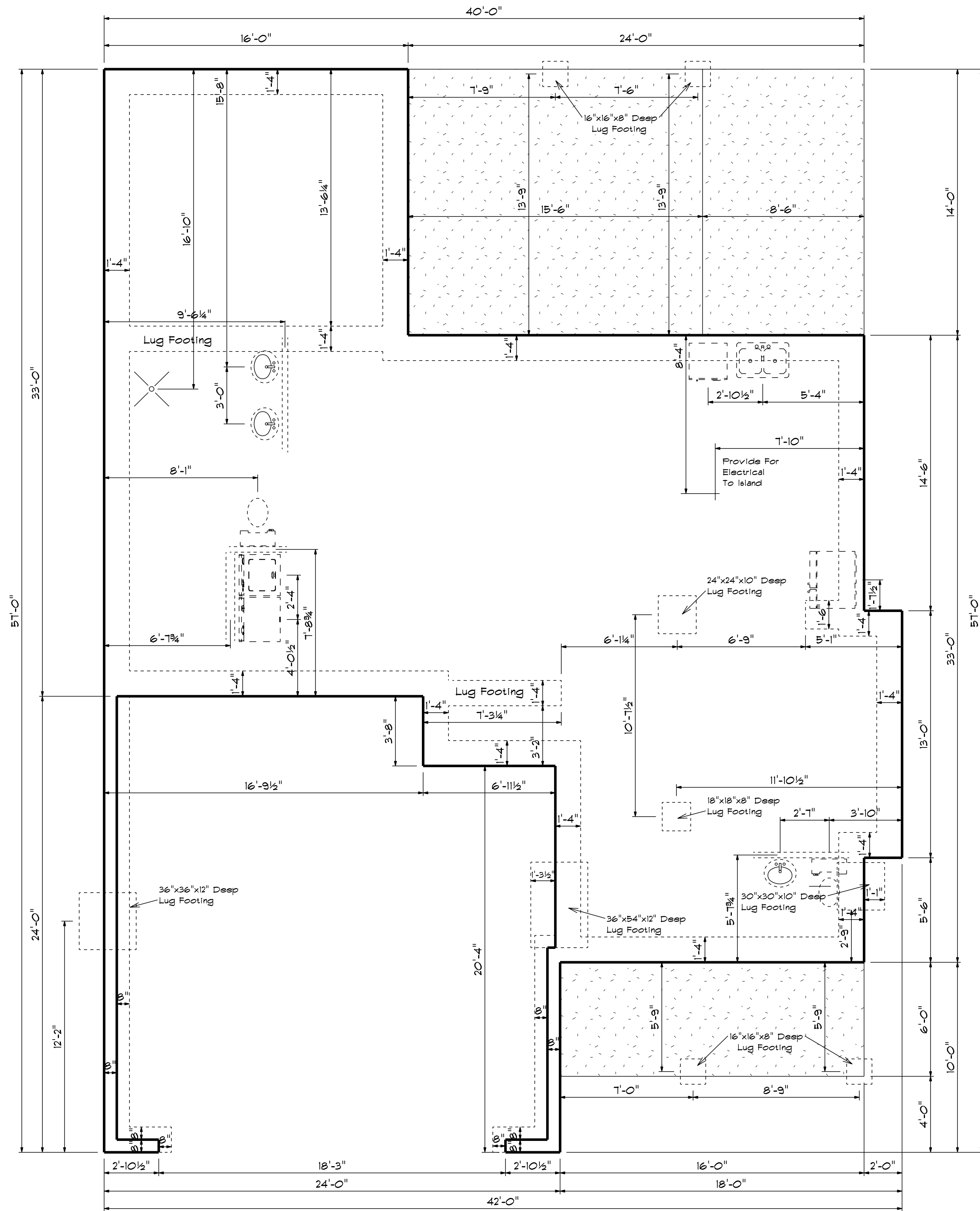


Roof Plan

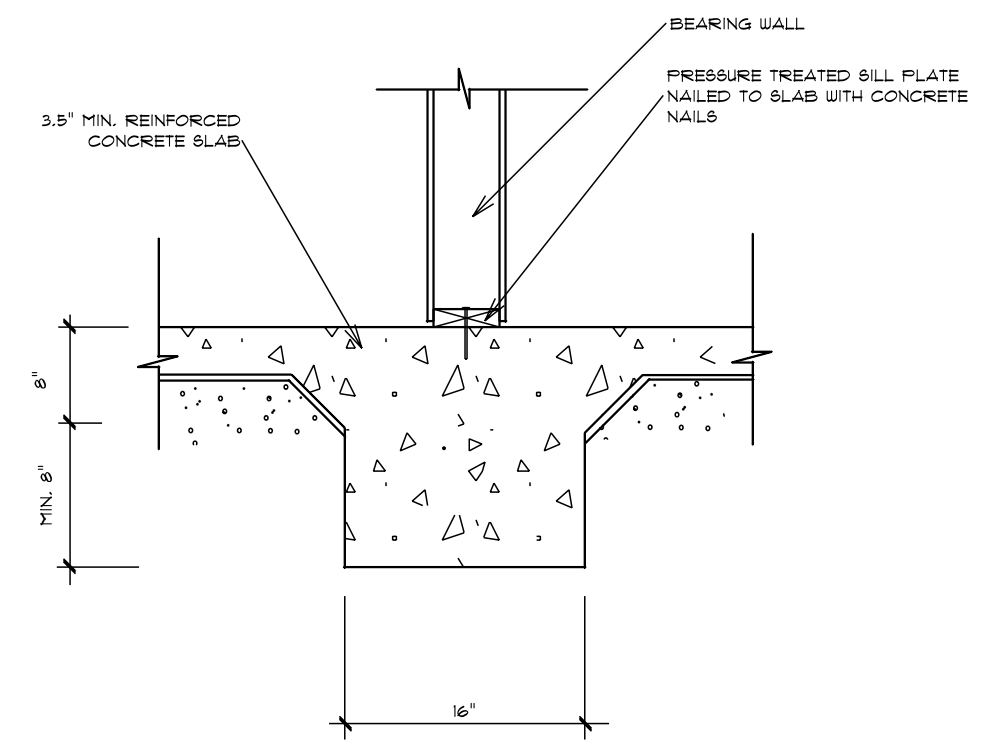
DATE: 5/4/2020
REVISED
DRAWING#

SCALE: 1/4"
DRAWN BY
APPROVED

The Beaumont



TURN-DOWN FOOTING DETAIL



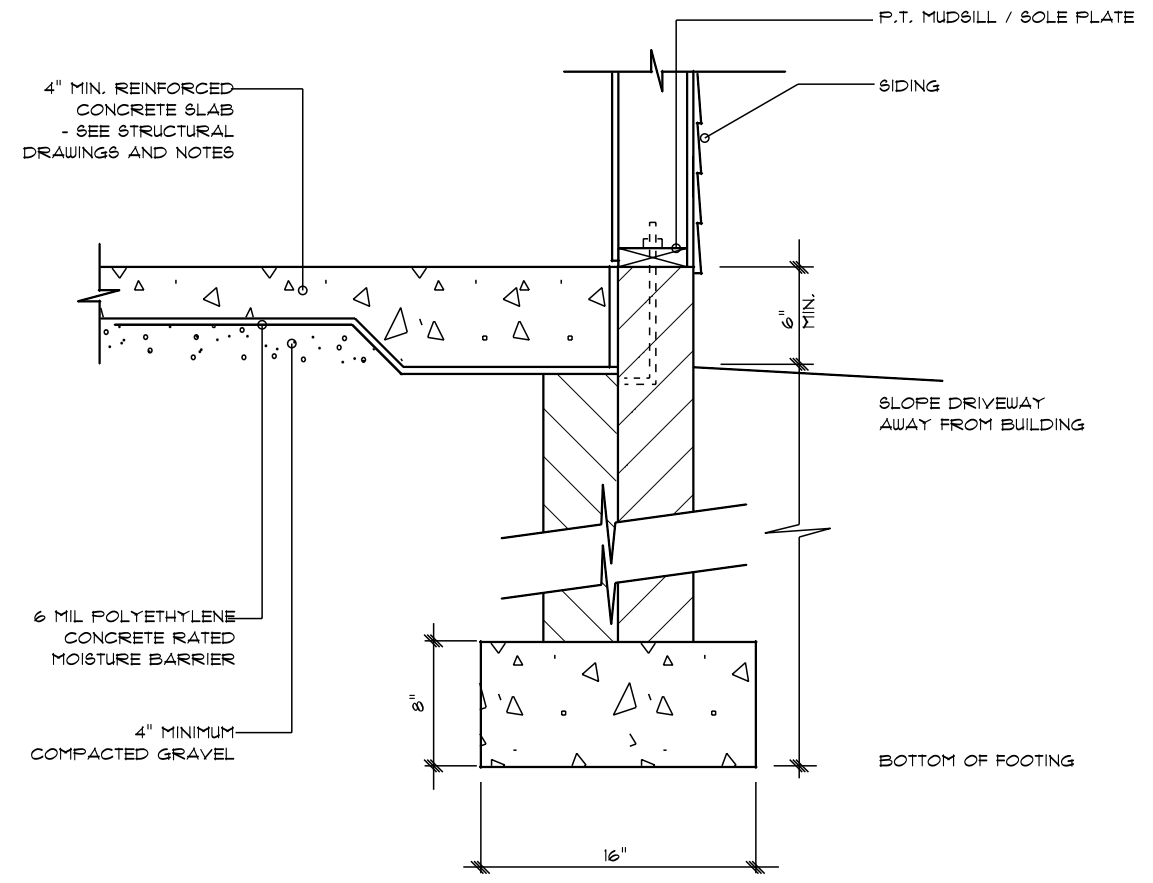
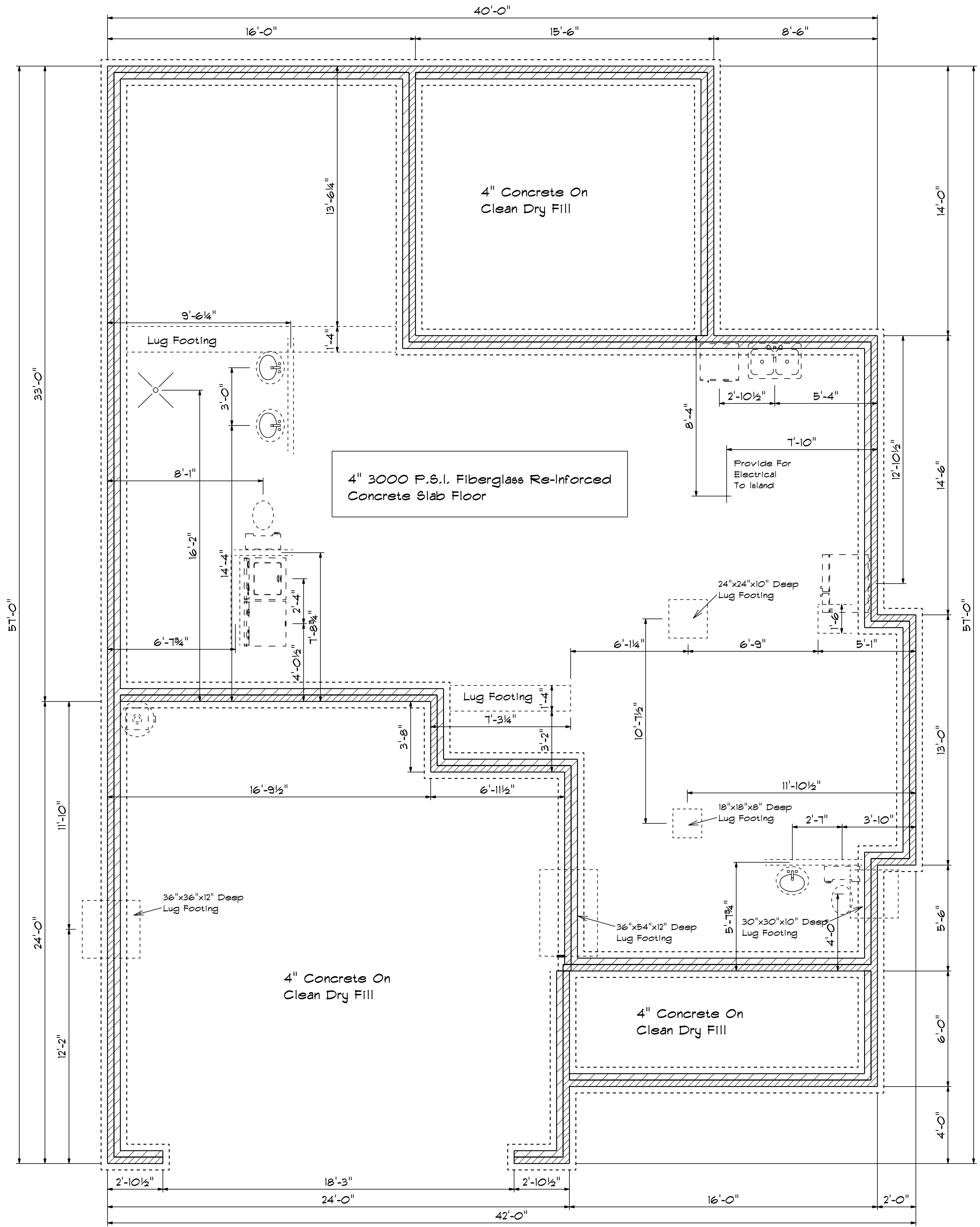
INTEGRAL SLAB FOOTING DETAIL AT BEARING WALL

Foundation Plan
Scale: 1/4" = 1'-0"

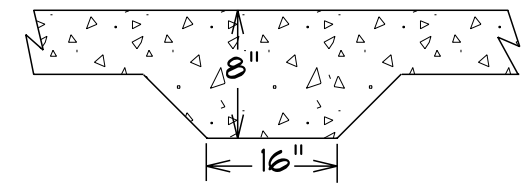
DATE: 5/4/2020
REVISED
DRAWING#

SCALE: 1/4"
DRAWN BY
APPROVED

The Beaumont



STEM WALL FOOTING DETAIL



LUG FOOTING DETAIL

Foundation Plan
Scale: 1/4" = 1'-0"

DATE: 5/4/2020
REVISED
DRAWING#

SCALE: 1/4"
DRAWN BY
APPROVED

The Beaumont