

ELEVATION NOTES:
GRADE ELEVATIONS SHOWN DO NOT NECESSARILY REFER TO THIS OR ANY OTHER LOT. THEY ARE FOR DIAGRAMMATIC PURPOSES ONLY AND MAY VARY. BUILDER IS RESPONSIBLE FOR ADAPTING THIS PLAN TO SUIT THE EXISTING TOPOGRAPHY OF THE SITE.

ROOF VENTILATION TO BE DETERMINED BY BUILDER AS PER CODE.

ALL EGRESS OR RESCUE WINDOWS FROM SLEEPING ROOMS MUST HAVE A MIN. NET CLEAR OPENING OF 4.0 SQ. FT. THE MIN NET CLEAR OPENING HEIGHT DIMENSION SHALL BE 22". THE MIN NET CLEAR OPENING WIDTH SHALL BE 20".

EACH EGRESS WINDOW FROM SLEEPING ROOMS MUST HAVE A SILL HEIGHT OF NO MORE THAN 44" FROM THE FLOOR. ALL WINDOW SIZES ARE NOMINAL, AND ARE TO BE VERIFIED WITH MANUFACTURER FOR AVAILABILITY AND CONFORMITY TO STATE AND LOCAL CODE REQUIREMENTS.

PORCHES, BALCONIES, OR RAISED FLOOR SURFACES LOCATED MORE THAN 30" ABOVE THE FLOOR OR GRADE BELOW SHALL HAVE GUARDRAILS NOT LESS THAN 32" IN HEIGHT.

I ASSUME NO RESPONSIBILITY FOR ANY DISTANCES AFTER START OF CONSTRUCTION. CONTRACTOR/BUILDER SHALL CONSULT WITH HOME OWNER ON ALL INTERIOR AND EXTERIOR MOLDINGS, TRIMS, COLORS, FINISHES, CABINET LAYOUTS, AND MANUFACTURERS BEFORE CONSTRUCTION BEGINS. ALL BEAMS AND FRAMING MEMBERS ARE SIZED BY OTHERS.

I, I.1 This plan has been drawn to comply with the 2018 NC Building Code

- 1.2 Minimum Design Loads for Building and Other Structures ASCE 7-95
- 2 Roof Dead Load 15 P&F
- 3 Roof Live Load 20 P&F
- 4 Typical Floor Dead Load 10 P&F
- 5 Floor Live Loads
 - 5.1 Rooms other than sleeping rooms 40 P&F
 - 5.2 Sleeping Rooms 30 P&F
 - 5.3 Stairs 40 P&F
 - 5.4 Decks 40 P&F
 - 5.5 Exterior Balconies 60 P&F
- 6 Wind Loads
 - 6.1 Ultimate Design Wind Speeds 15 MPH
 - 6.2 Wind Importance Factor, I_w 1.00
 - 6.3 Exposure B
 - 6.4 Walls (Component and Cladding) 25 P&F
 - 6.5 Roofs (Component and Cladding)
 - 6.5.1 Roof Slopes 2.25/12 to 1/12 34.8 P&F
 - 6.5.2 Roof Slopes 1/12 to 12/12 21 P&F

It is the sole responsibility of the Contractor and/or Builder to conform to all standards, provisions, requirements, methods of construction and uses of materials provided in buildings and/or structures as required by NC Uniform Building Code, Local Agencies and in accordance with good engineering practices. Verify all dimensions prior to construction.



FRONT ELEVATION

AREA SCHEDULE	
NAME	AREA
Heated Floor Area	1717.1 sq ft.
Garage	447.3 sq ft.
Covered Porch	199.2 sq ft.

FENESTRATION CALCULATIONS

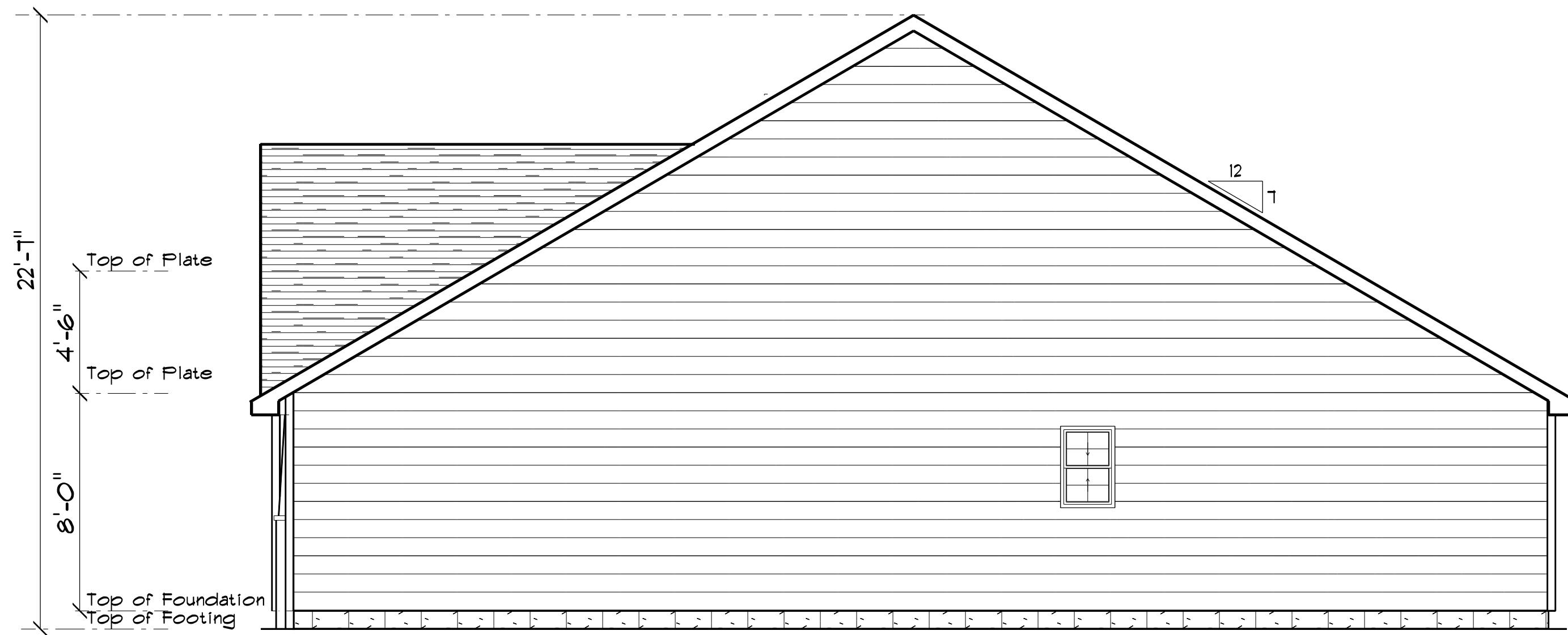
Floor	Height Of Ext. Wall	Area Of Ext. Wall	Ext. Wall
1st			
2nd			
other	8'	1752	1752
1752	Total Sq. Ft. of Exterior Walls		

Total Fenestration	Total Exterior Walls	Percentage of wall openings
246 sq. ft.	1752	15%

Above Grade Walls Surrounding Heated Space



REAR ELEVATION
SCALE: 1/4" = 1'



RIGHT ELEVATION
SCALE: 1/4" = 1'



LEFT ELEVATION
SCALE: 1/4" = 1'

OPENING SCHEDULE				
SIZE	COUNT	LIBRARY NAME	R.O. WIDTH	R.O. HEIGHT
2'-8" x 5'-0"	2	Window\Double Hung	32"	60-1/2"
2'-8" x 5'-0" Dbl	5	Window\Double Hung	64-1/2"	60-1/2"
2'-0" x 3'-0"	2	Window\Double Hung	24"	36"
4'-0" x 3'-0"	1	Window\Double Hung	48"	36"

GENERAL FRAMING NOTES:

ALL LUMBER IN CONTACT WITH CONCRETE OR MASONRY SHALL BE PRESSURE TREATED.

FRAMING LUMBER SHALL BE SYP #2 GRADE AND/OR SPRUCE PINE FIR #1 AND/OR #2, KILN DRIED.

WHERE PRE-ENGINEERED JOISTS ARE USED, JOIST MANUFACTURER SHALL PROVIDE SHOP DRAWINGS, WHICH BEAR SEAL OF A N.C. ENGINEER.

STUDS AND JOISTS SHALL NOT BE CUT TO INSTALL PLUMBING OR WIRING WITHOUT ADDING METAL OR WOOD SIDE PANELS TO STRENGTHEN THE MEMBER TO ITS ORIGINAL CAPACITY.

NAIL MULTIPLE MEMBERS WITH 2 ROWS OF 16d NAILS STAGGERED 32" OC AN USE 3-16d NAILS 2" IN AT EACH END. DOUBLE ALL STUDS UNDER ROOF POST DOWN UNO.

NAIL FLOOR JOISTS TO SILL PLATE WITH 8d TOE NAILS.

ALL EXPOSED FRAMING ON PORCHES AND DECKS SHALL BE PRESSURE TREATED.

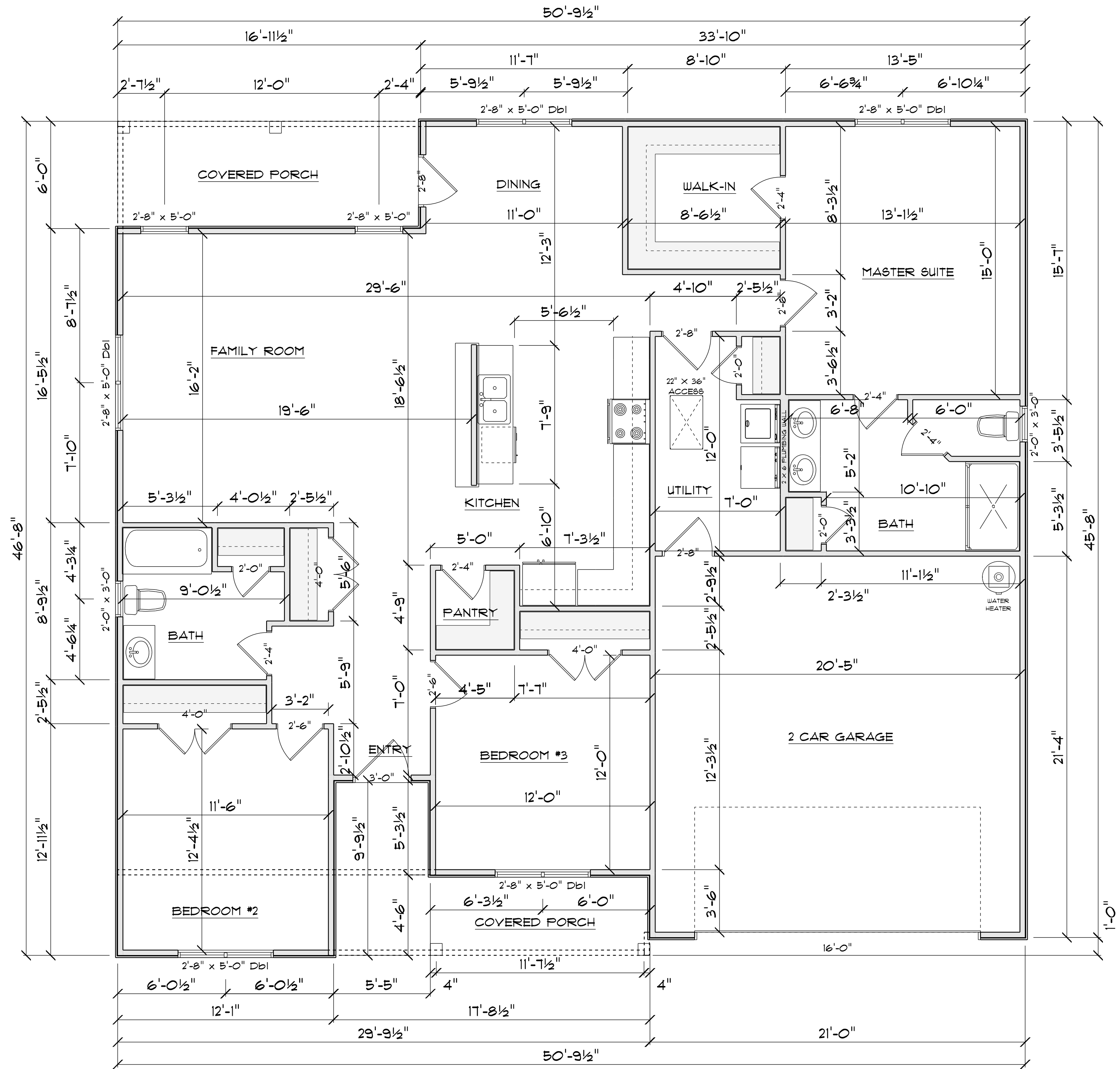
PROVIDE WATERPROOFING AND DRAINS AS REQUIRED.

ALL FRAMING TO BE 16" OC UNO. WALL FRAMING DIMENSIONS ARE BASED ON 2 X 4 STUDS UNO. DOUBLE STUDS UNDER ALL HEADERS.

LVL'S AND T&S TO BE SIZED BY OTHERS

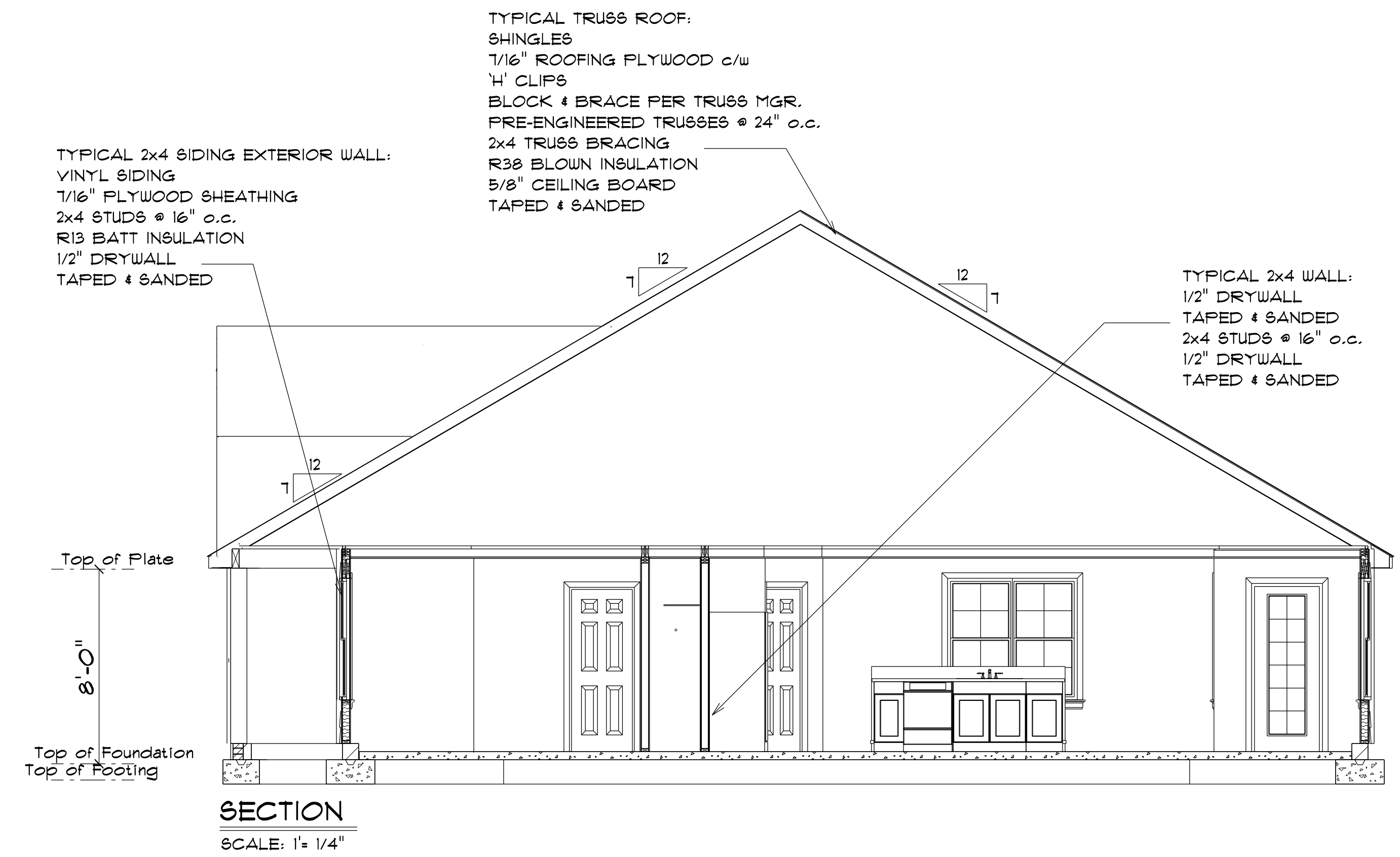
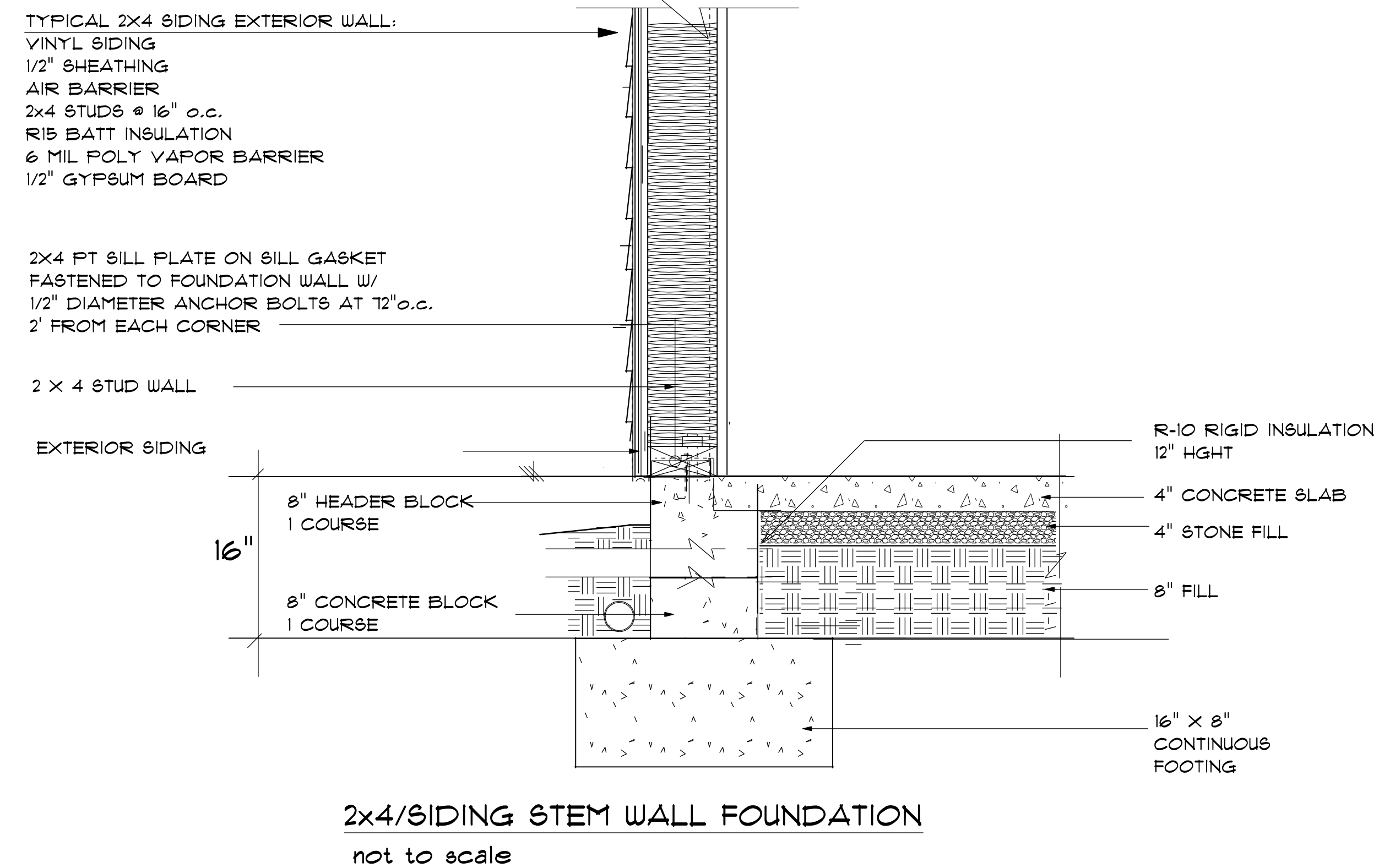
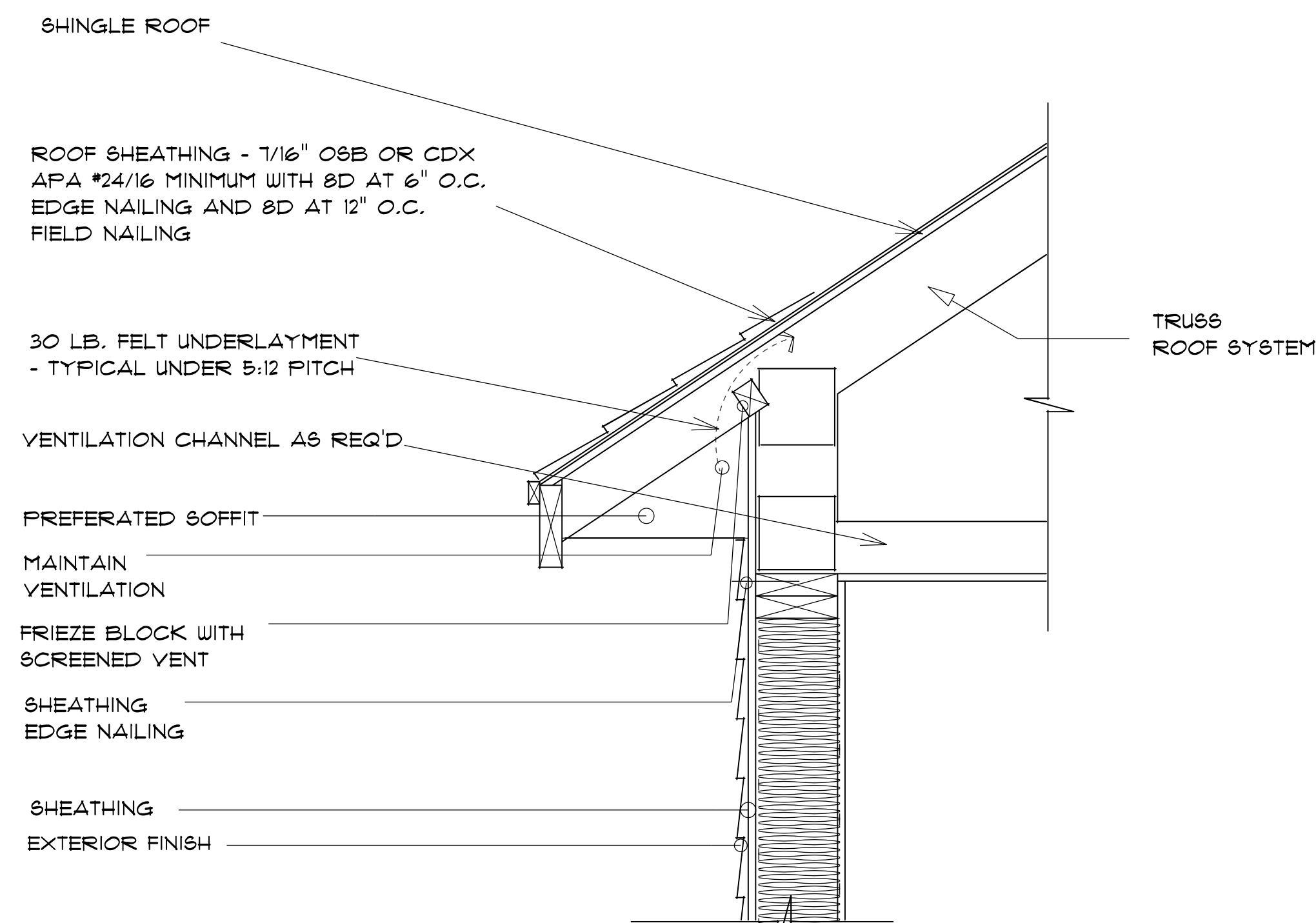
EXTERIOR WALLS IN LIVING AREAS ARE 2 X 4

It is the sole responsibility of the Contractor and/or Builder to conform to all standards, provisions, requirements, methods of construction and uses of materials provided in buildings and/or structures as required by NC Uniform Building Code, Local Agencies and in accordance with good engineering practices. Verify all dimensions prior to construction.



FLOOR PLAN

SCALE: 1" = 1/4"



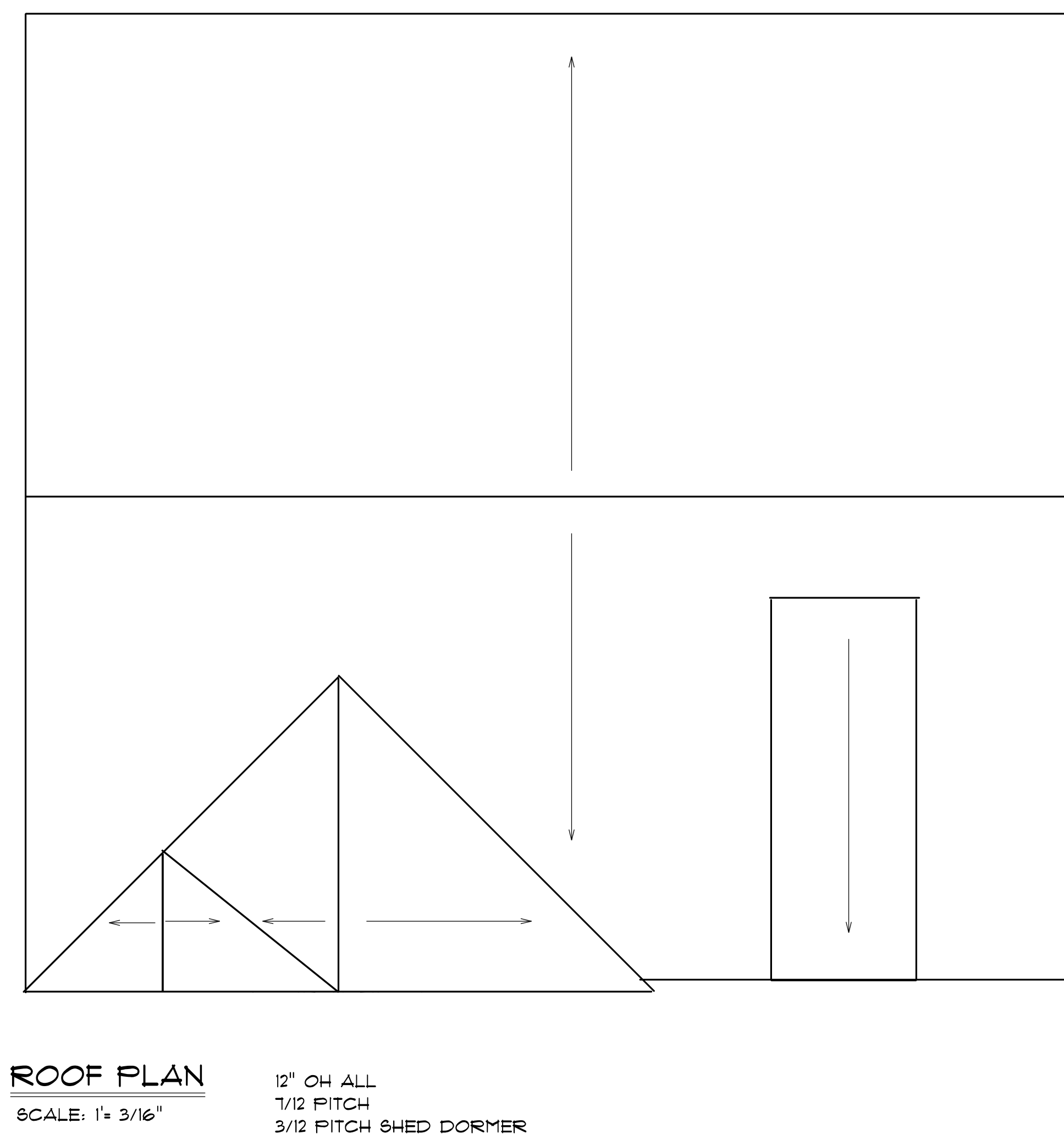
ROOF NOTES:

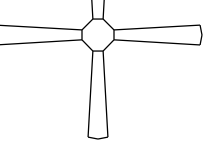
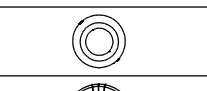
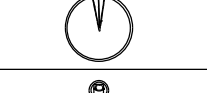
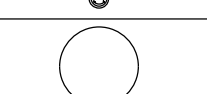
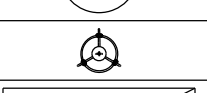
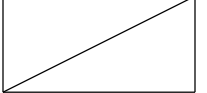
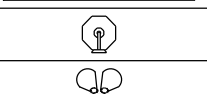
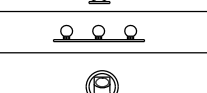
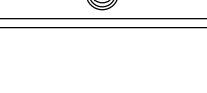

TRUSSES, BRACINGS, BRIDGING AND CONNECTORS ARE TO BE DESIGNED BY THE TRUSS MANUFACTURER.

IDENTIFY LUMBER BY OFFICIAL GRADE MARKINGS.

DO NOT CUT OR REMOVE CHORDS OR OTHER TRUSS MEMBERS. DO NOT NOTCH OR DRILL TRUSS MEMBERS.

WHERE PRE-ENGINEERED ROOF TRUSSES ARE USED, TRUSS MANUFACTURER SHALL PROVIDE SHOP DRAWINGS, WHICH BEAR SEAL OF A N. C. REGISTERED ENGINEER.



ELECTRICAL LEGEND		
ELECTRICAL	COUNT	SYMBOL
ceiling fan 4 bladed 01	2	
foyer light	1	
10" led light	2	
7" led disc	13	
out door over head	4	
ceiling light 19	1	
4' fluorescent light	2	
outdoor carriage light	2	
flood light	2	
vanity light	4	
over head light	2	