

**NOTICE TO CONTRACTOR**  
All construction must comply with current NC Building Codes and is subject to field inspection and verification.

**APPROVED**  
Limited building only review  
Permit holder responsible for full compliance with the code

**03/16/2021**




PAGE #: 1A

Diane Rives Design  
6205 Mockingbird Lane  
Spartanburg, N.C. 29327  
918-771-6031  
gr@diarivesdesign.com

**DRD**

SCALE: 1/4" = 1'

DRAWN BY:

DATE: 11/23/2020

LAMCO CUSTOM BUILDERS

THE YARBROUGH RIGHT GARAGE

FRONT ELEVATION A

**ELEVATION NOTES:**  
GRADE ELEVATIONS SHOWN DO NOT NECESSARILY REFER TO THIS OR ANY OTHER LOT. THEY ARE FOR DIAGRAMMATIC PURPOSES ONLY AND MAY VARY. BUILDER IS RESPONSIBLE FOR ADAPTING THIS PLAN TO SUIT THE EXISTING TOPOGRAPHY OF THE SITE.

ROOF VENTILATION TO BE DETERMINED BY BUILDER AS PER CODE.

ALL EGRESS OR RESCUE WINDOWS FROM SLEEPING ROOMS MUST HAVE A MIN. NET CLEAR OPENING OF 4.0 SQ. FT. THE MIN NET CLEAR OPENING HEIGHT DIMENSION SHALL BE 22". THE MIN NET CLEAR OPENING WIDTH SHALL BE 20".

EACH EGRESS WINDOW FROM SLEEPING ROOMS MUST HAVE A SILL HEIGHT OF NO MORE THAN 44" FROM THE FLOOR. ALL WINDOW SIZES ARE NOMINAL AND ARE TO BE VERIFIED WITH MANUFACTURER FOR AVAILABILITY AND CONFORMITY TO STATE AND LOCAL CODE REQUIREMENTS.

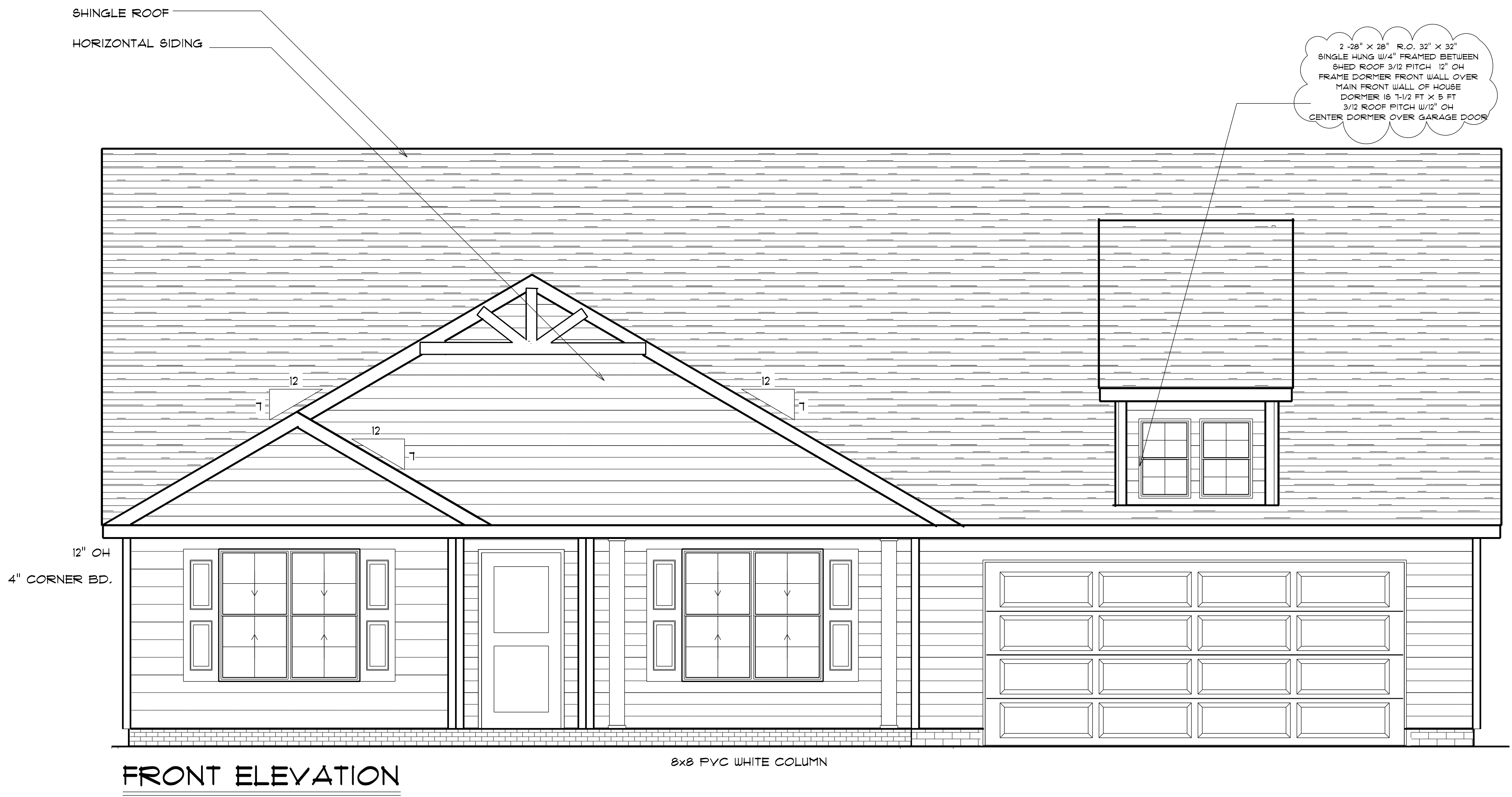
PORCHES, BALCONIES, OR RAISED FLOOR SURFACES LOCATED MORE THAN 30" ABOVE THE FLOOR OR GRADE BELOW SHALL HAVE GUARDRAILS NOT LESS THAN 32" IN HEIGHT.

I ASSUME NO RESPONSIBILITY FOR ANY DISTANCES AFTER START OF CONSTRUCTION. CONTRACTOR/BUILDER SHALL CONSULT WITH HOME OWNER ON ALL INTERIOR AND EXTERIOR MOLDINGS, TRIMS, COLORS, FINISHES, CABINET LAYOUTS, AND MANUFACTURERS BEFORE CONSTRUCTION BEGINS. ALL BEAMS AND FRAMING MEMBERS ARE SIZED BY OTHERS.

1.1 This plan has been drawn to comply with the 2018 NC Building Code

- 1.2 Minimum Design Loads for Building and Other Structures ASCE 7-95
- 2 Roof Dead Load 15 P&F
- 3 Roof Live Load 20 P&F
- 4 Typical Floor Dead Load 10 P&F
- 5 Floor Live Loads
  - 5.1 Rooms other than sleeping rooms 40 P&F
  - 5.2 Sleeping Rooms 30 P&F
  - 5.3 Stairs 40 P&F
  - 5.4 Decks 40 P&F
  - 5.5 Exterior Balconies 60 P&F
- 6 Wind Loads
  - 6.1 Ultimate Design Wind Speeds 15 MPH
  - 6.2 Wind Importance Factor, I<sub>w</sub> 1.00
  - 6.3 Exposure B
  - 6.4 Walls (Component and Cladding) 25 P&F
  - 6.5 Roofs (Component and Cladding)
    - 6.5.1 Roof Slopes 2.25/12 to 1/12 34.8 P&F
    - 6.5.2 Roof Slopes 1/12 to 12/12 21 P&F

It is the sole responsibility of the Contractor and/or Builder to conform to all standards, provisions, requirements, methods of construction and uses of materials provided in buildings and/or structures as required by NC Uniform Building Code, Local Agencies and in accordance with good engineering practices. Verify all dimensions prior to construction.



2 -28" x 28" R.O. 32" x 32"  
SINGLE HUNG 1/4" FRAMED BETWEEN  
SHED ROOF 3/12 PITCH 12" OH  
FRAME DORMER FRONT WALL OVER  
MAIN FRONT WALL OF HOUSE  
DORMER IS 1-1/2 FT X 5 FT  
3/12 ROOF PITCH 1/12" OH  
CENTER DORMER OVER GARAGE DOOR

**FRONT ELEVATION**

AREA SCHEDULE	
NAME	AREA
Heated Floor Area	1717.1 sq ft.
Garage	447.3 sq ft.
Covered Porch	199.2 sq ft.

**FENESTRATION CALCULATIONS**

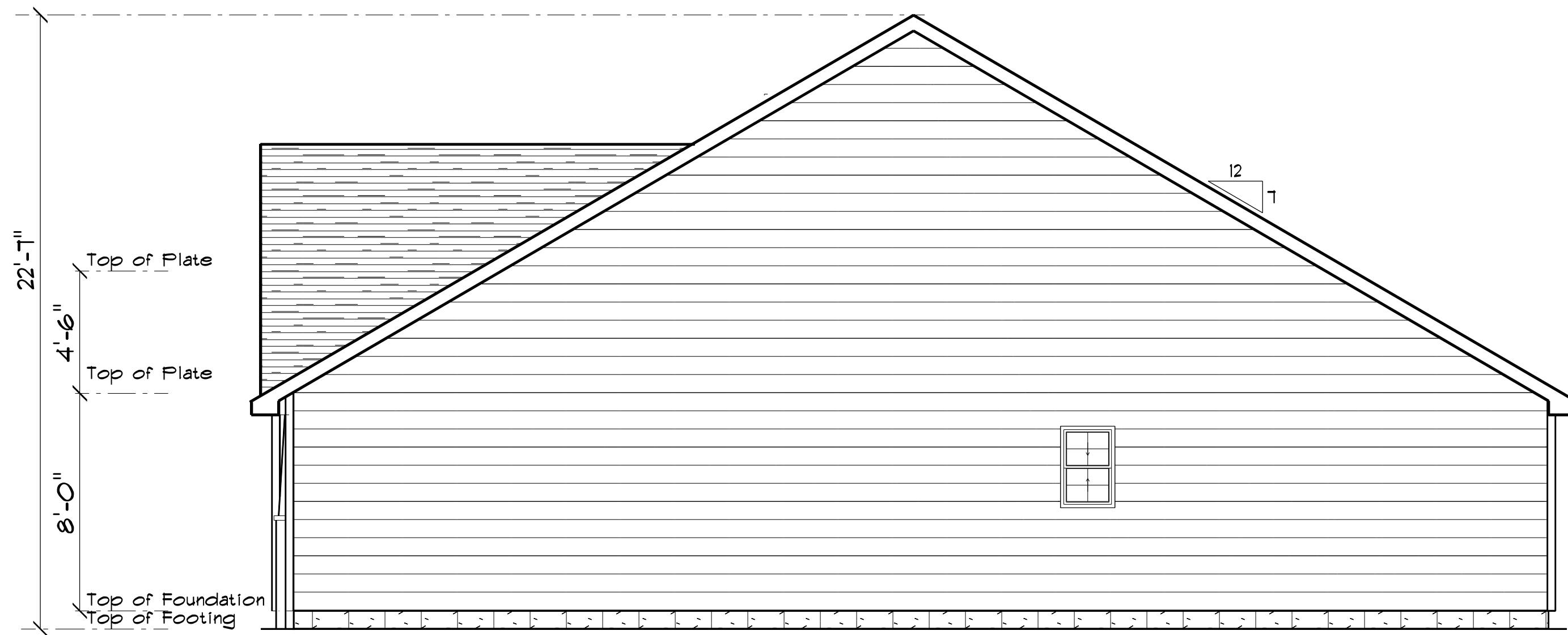
Floor	Height Of Ext. Wall	Area Of Ext. Wall	Ext. Wall
1st			
2nd			
other	8'	1752	1752
1752	Total Sq. Ft. of Exterior Walls		

Total Fenestration	Total Exterior Walls	Percentage of wall openings
246 sq. ft.	1752	15%

Above Grade Walls Surrounding Heated Space



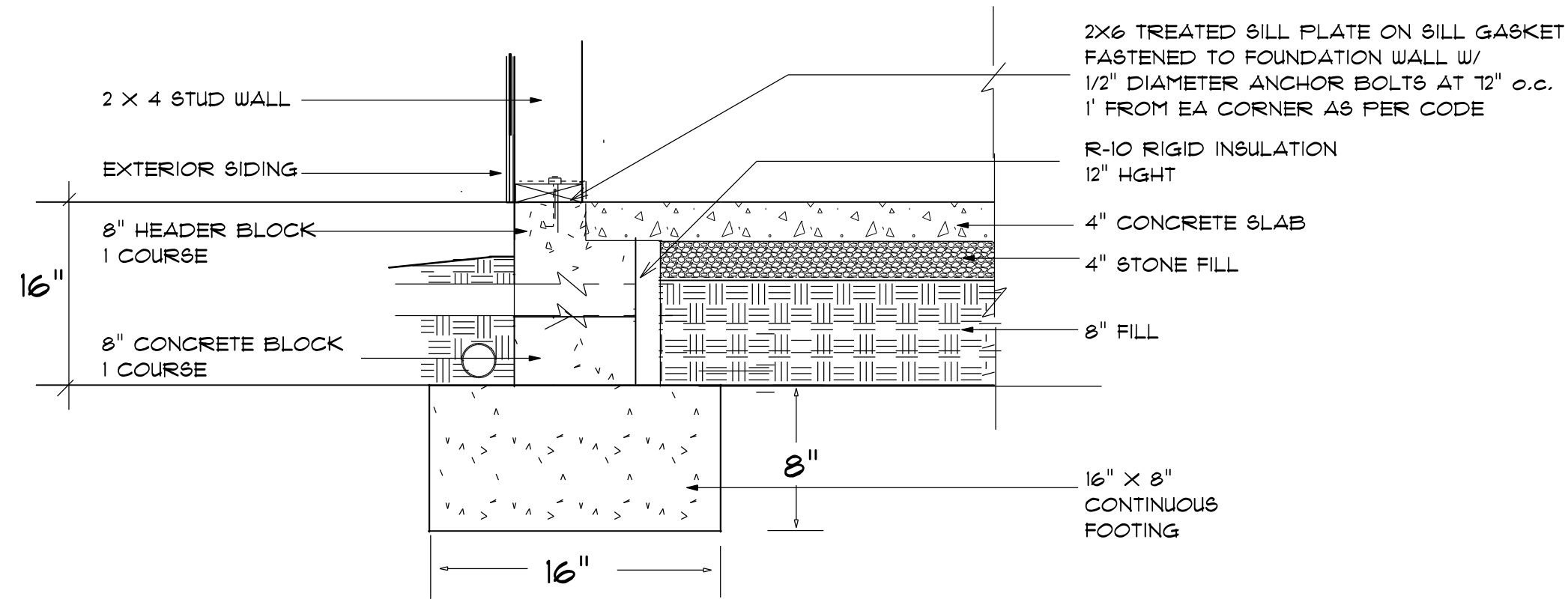
**REAR ELEVATION**  
SCALE: 1" = 1/4"



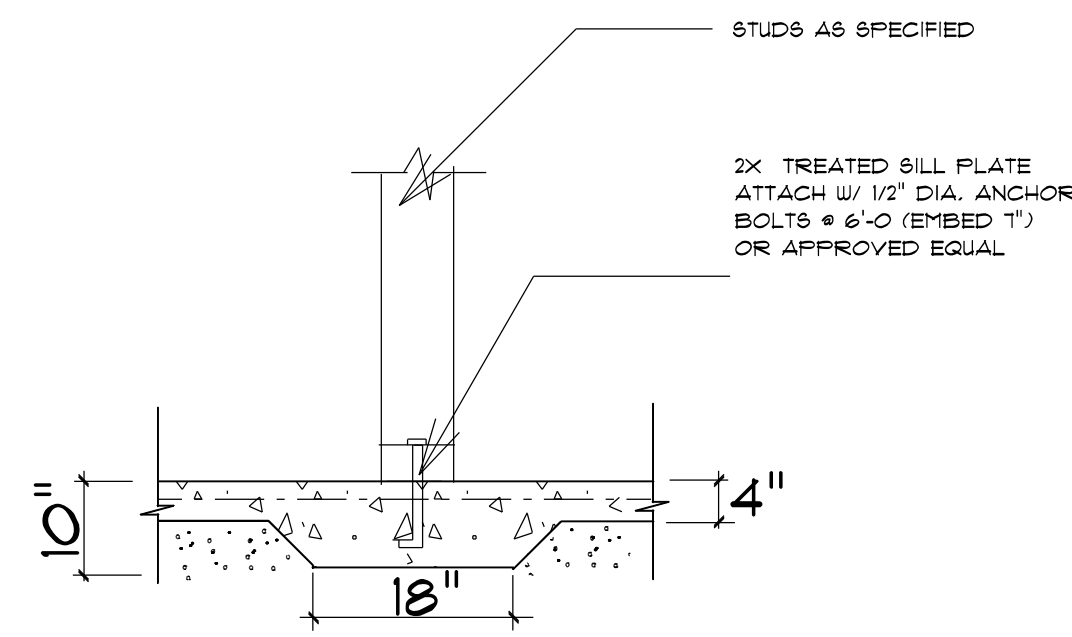
**RIGHT ELEVATION**  
SCALE: 1" = 1/4"



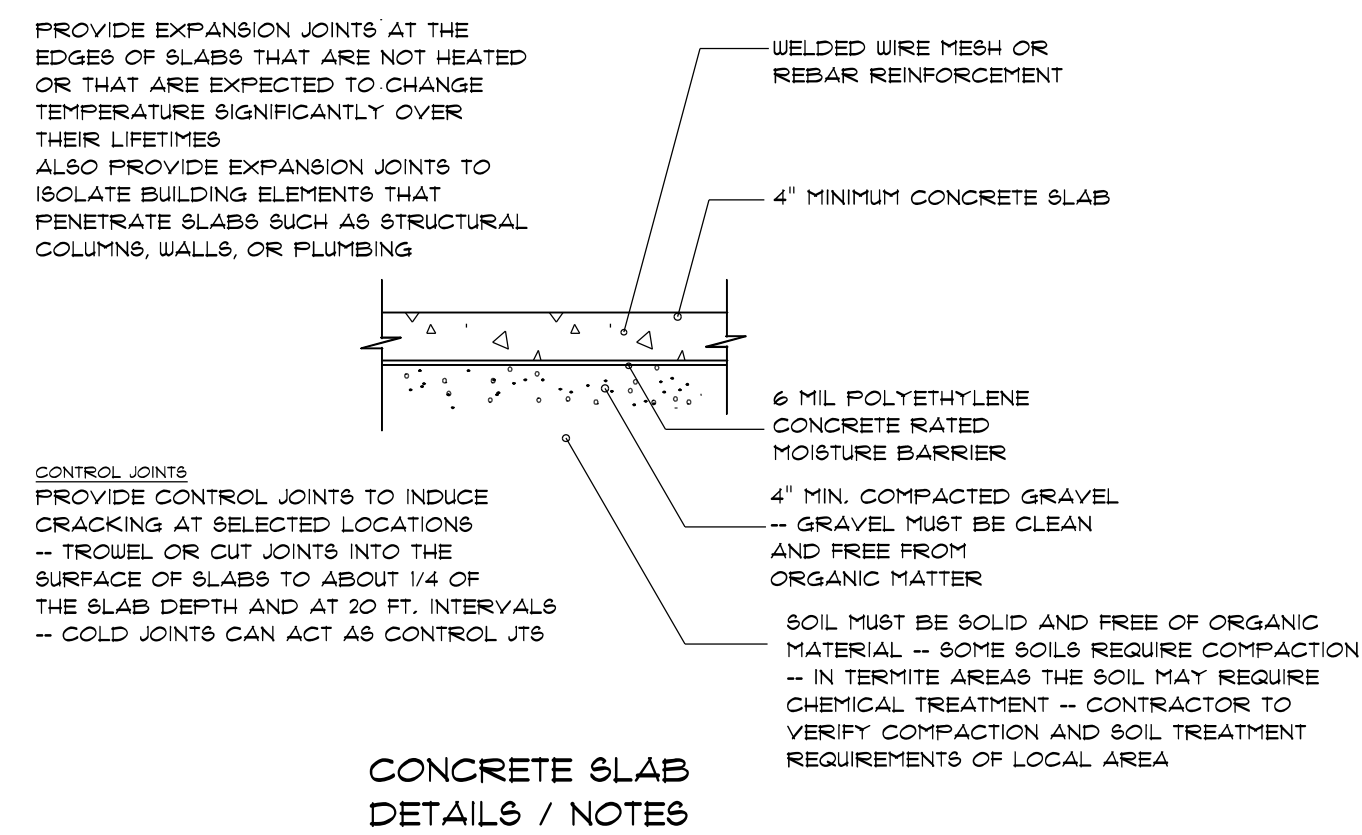
**LEFT ELEVATION**  
SCALE: 1" = 1/4"



STEM WALL FOUNDATION Detail not to scale

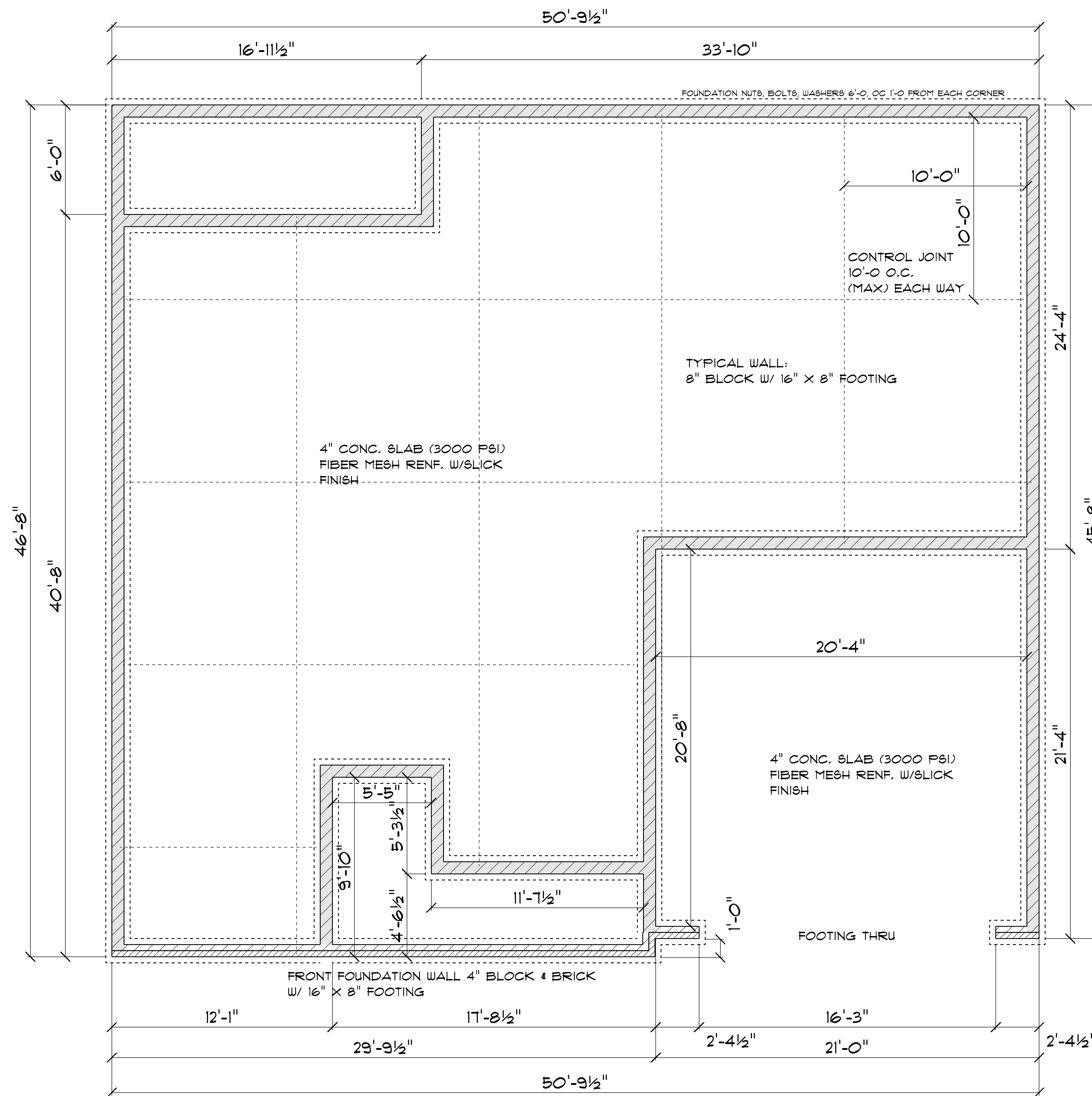


TYPICAL THICKENED SLAB



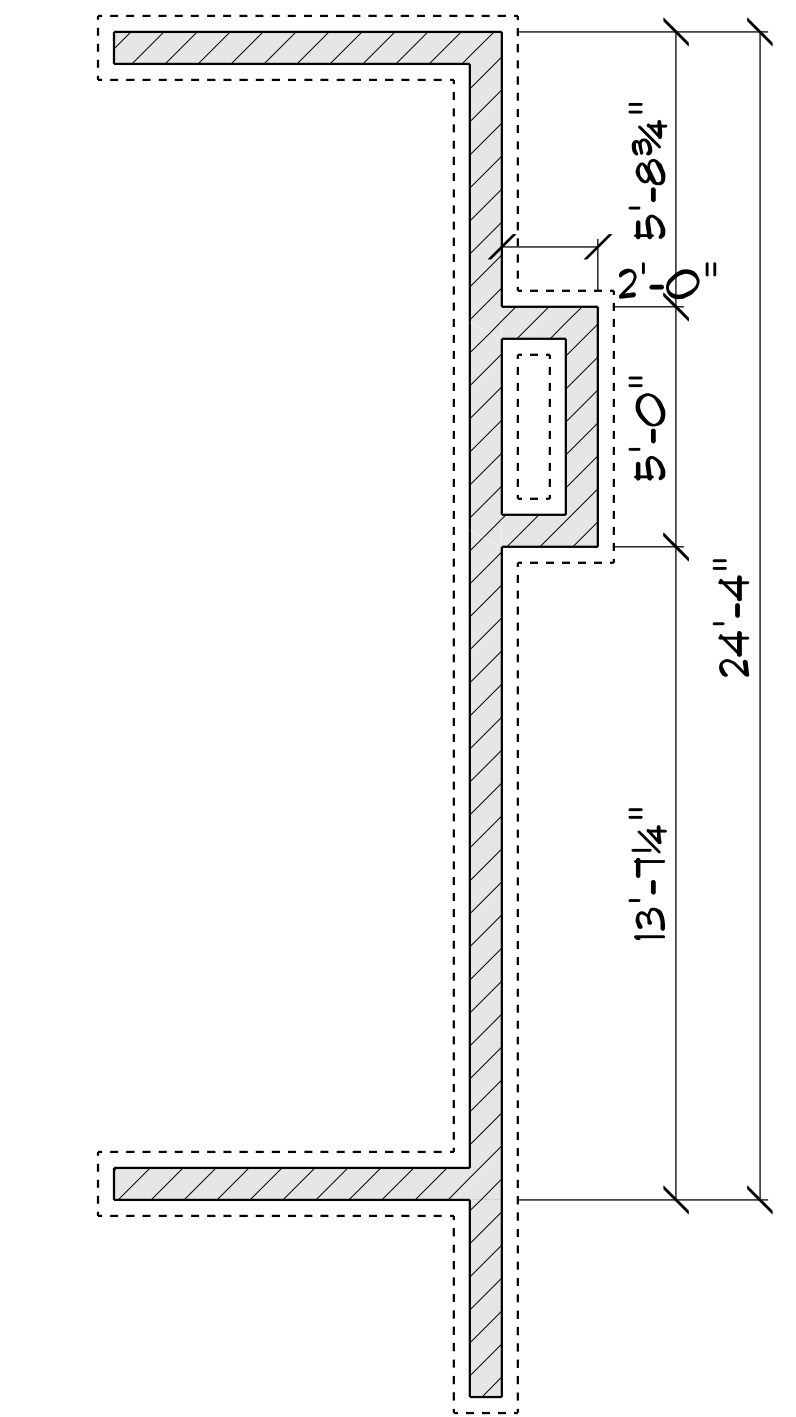
**FOUNDATION NOTES:**  
 ALL FOOTINGS SHALL BEAR ON ORIGINAL UNDISTURBED SOIL.  
 THE 28 DAY COMPRESSIVE STRENGTH OF ALL FOOTINGS IS 3000 PSI.  
 PROVIDE WATER PROOFING AND PERIMETER DRAINS AS REQUIRED.  
 FOUNDATION CONCRETE MIX TO HAVE 1 1/2" MAX AGGREGATE SIZE. CONCRETE FILL MIX TO HAVE 1/2" MAX AGGREGATE SIZE.  
 FOOTING WIDTHS ARE BASED ON A LOAD-BEARING SOIL CAPACITY OF 2000 PSI.  
 PROVIDE 6 MIL POLY VAPOR BARRIER TO COVER GROUND SURFACE IN CRAWL SPACE.  
 ALL ANCHOR BOLTS TO BE 12" LONG, 1/2" DIA. A36 UNO ANCHOR BOLTS SHALL BE SPACE AT A MAX OF 6' OC AND NO MORE THAN 1' FROM EA CORNER.

**Termite Soil Treatment:** Treat entire slab area soil or crawl space surface before vapor barrier is installed and slab is poured with a state approved termiticide. Termiticide should be applied by a licensed and certified pest control professional by the state of North Carolina.



FOUNDATION PLAN

SCALE: 1/4" = 1'



OPTIONAL GAS FIREPLACE

SCALE: 1/4" = 1'

OPENING SCHEDULE				
SIZE	COUNT	LIBRARY NAME	R.O. WIDTH	R.O. HEIGHT
2'-8" x 5'-0"	2	Window\Double Hung	32"	60-1/2"
2'-8" x 5'-0" Dbl	5	Window\Double Hung	64-1/2"	60-1/2"
2'-0" x 3'-0"	2	Window\Double Hung	24"	36"
4'-0" x 3'-0"	1	Window\Double Hung	48"	36"

**GENERAL FRAMING NOTES:**

ALL LUMBER IN CONTACT WITH CONCRETE OR MASONRY SHALL BE PRESSURE TREATED.

FRAMING LUMBER SHALL BE SYP #2 GRADE AND/OR SPRUCE PINE FIR #1 AND/OR #2, KILN DRIED.

WHERE PRE-ENGINEERED JOISTS ARE USED, JOIST MANUFACTURER SHALL PROVIDE SHOP DRAWINGS, WHICH BEAR SEAL OF A N.C. ENGINEER.

STUDS AND JOISTS SHALL NOT BE CUT TO INSTALL PLUMBING OR WIRING WITHOUT ADDING METAL OR WOOD SIDE PANELS TO STRENGTHEN THE MEMBER TO ITS ORIGINAL CAPACITY.

NAIL MULTIPLE MEMBERS WITH 2 ROWS OF 16d NAILS STAGGERED 32" OC AN USE 3-16d NAILS 2" IN AT EACH END. DOUBLE ALL STUDS UNDER ROOF POST DOWN UNO.

NAIL FLOOR JOISTS TO SILL PLATE WITH 8d TOE NAILS.

ALL EXPOSED FRAMING ON PORCHES AND DECKS SHALL BE PRESSURE TREATED.

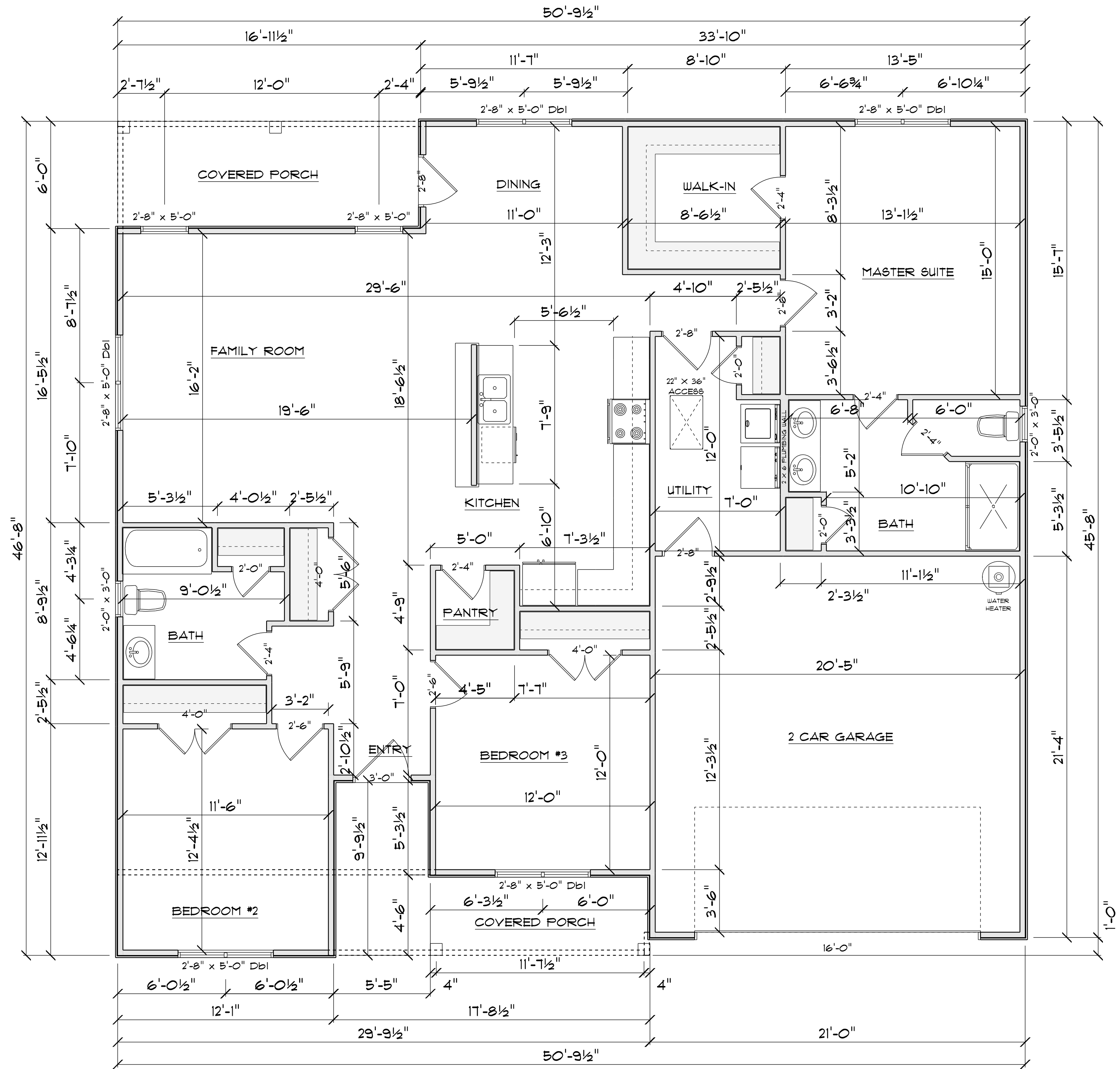
PROVIDE WATERPROOFING AND DRAINS AS REQUIRED.

ALL FRAMING TO BE 16" OC UNO. WALL FRAMING DIMENSIONS ARE BASED ON 2 X 4 STUDS UNO. DOUBLE STUDS UNDER ALL HEADERS.

LVL'S AND T&S TO BE SIZED BY OTHERS.

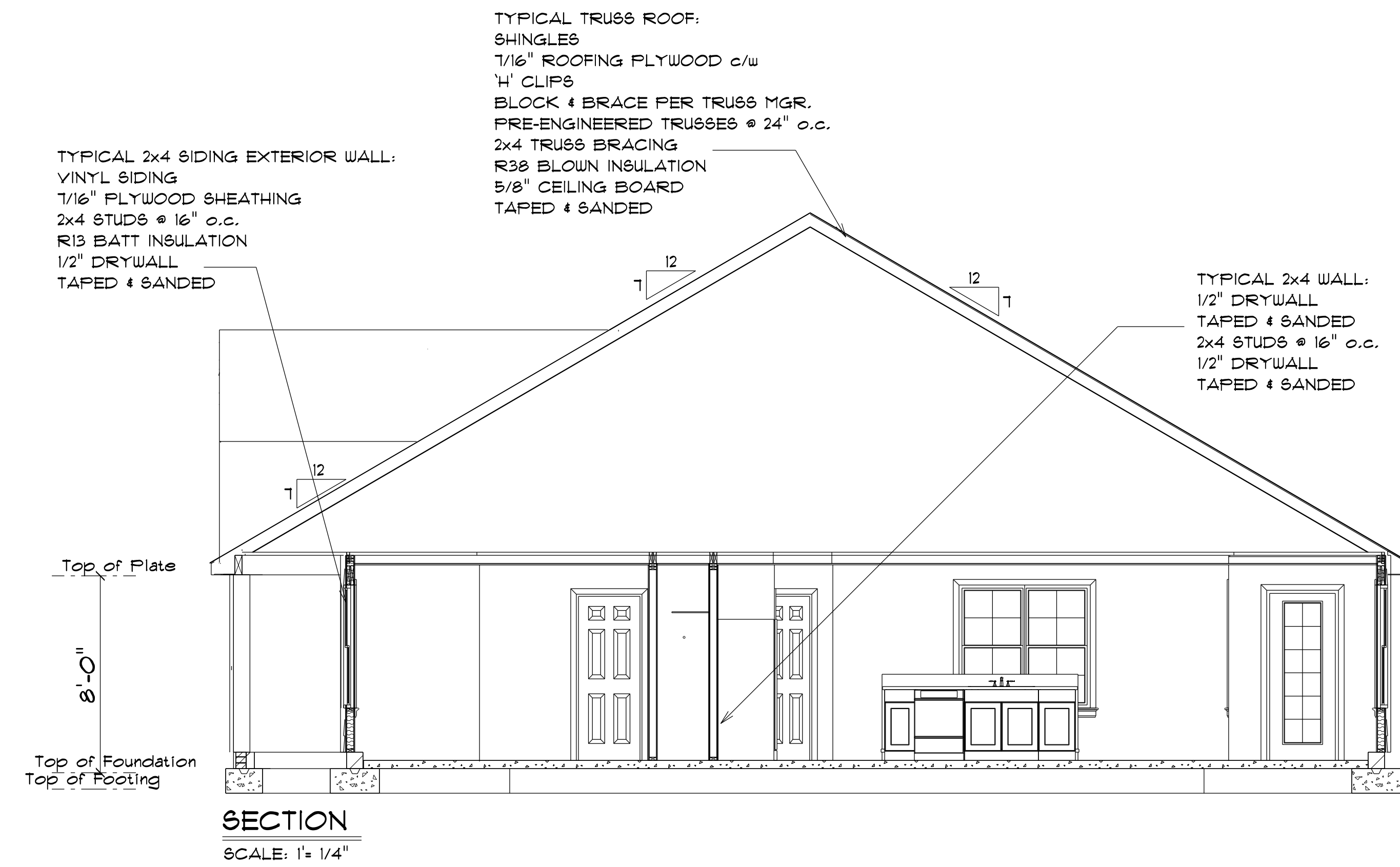
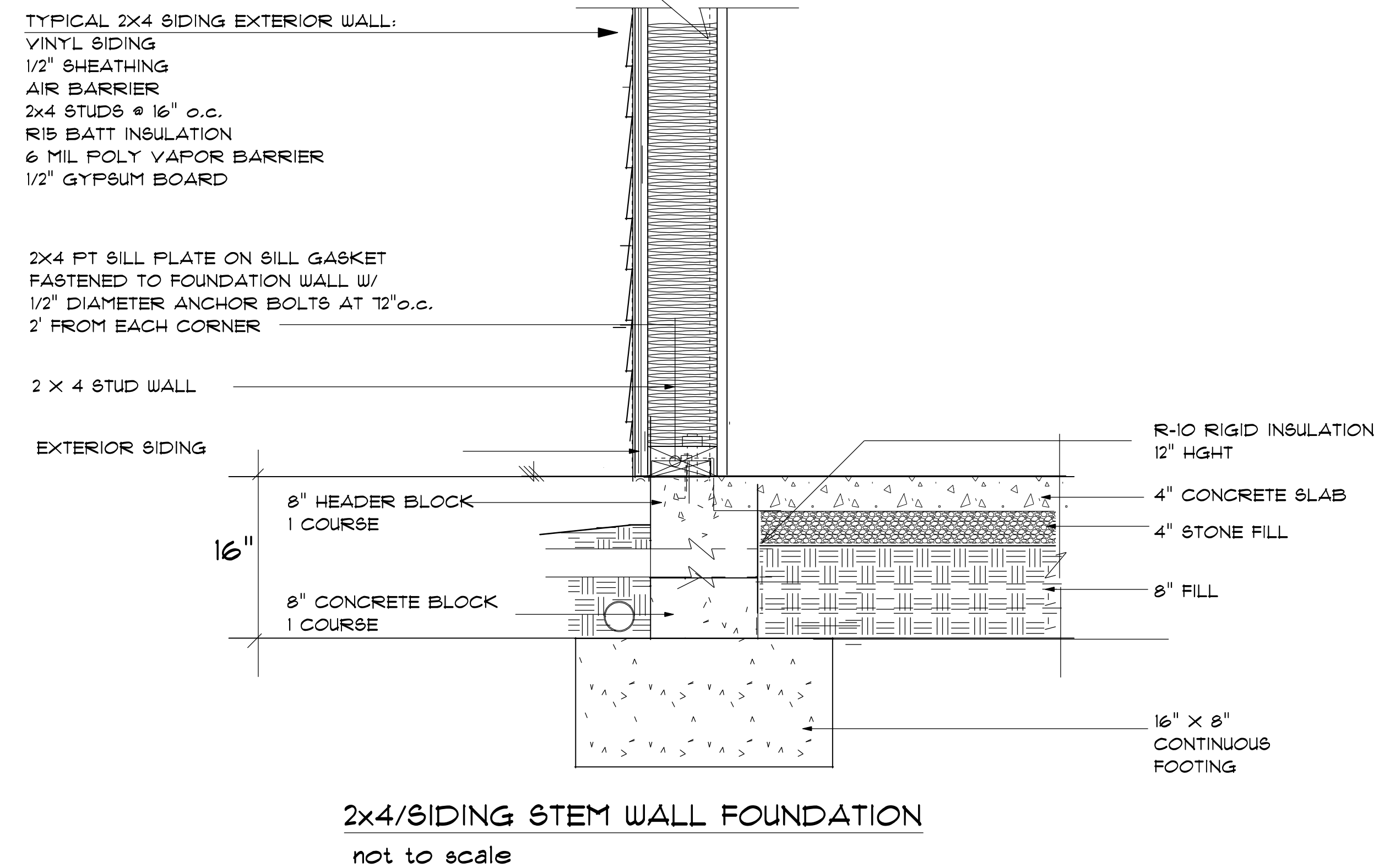
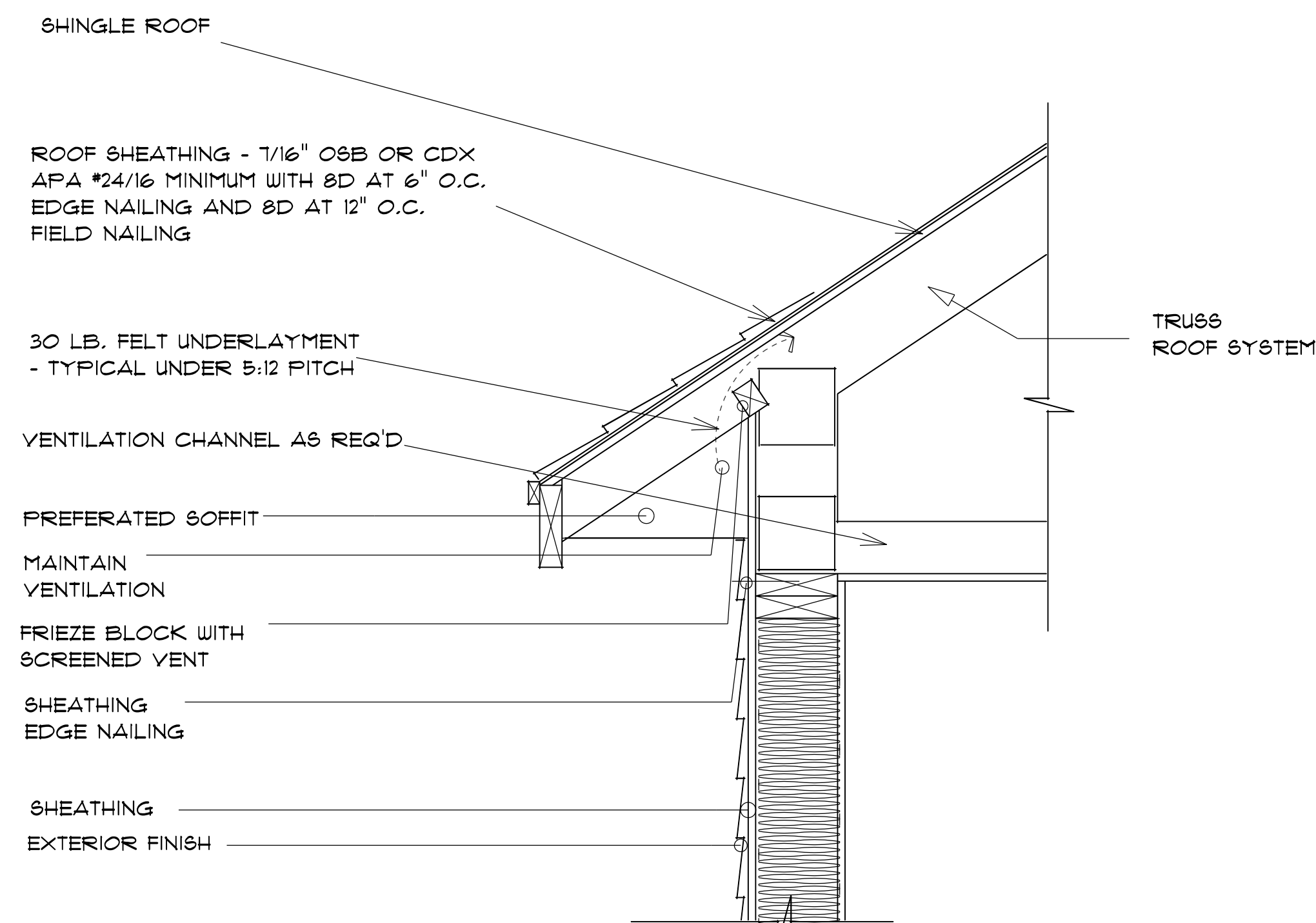
EXTERIOR WALLS IN LIVING AREAS ARE 2 X 4

It is the sole responsibility of the Contractor and/or Builder to conform to all standards, provisions, requirements, methods of construction and uses of materials provided in buildings and/or structures as required by NC Uniform Building Code, Local Agencies and in accordance with good engineering practices. Verify all dimensions prior to construction.



**FLOOR PLAN**

SCALE: 1" = 1/4"



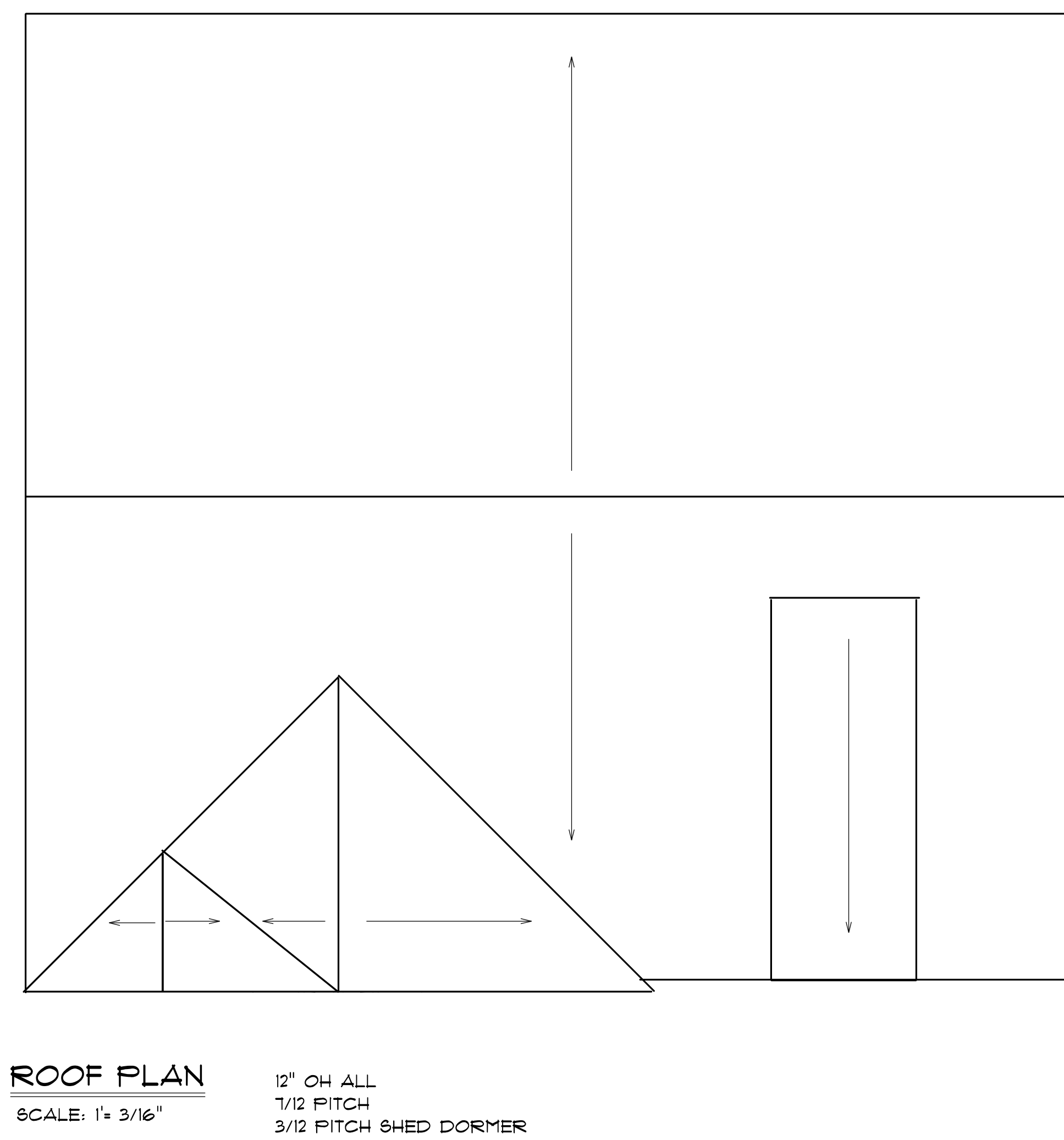
ROOF NOTES:

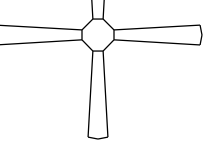
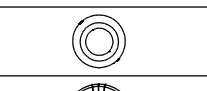
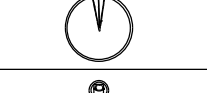
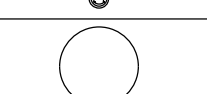
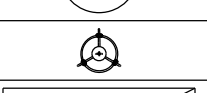
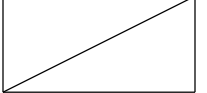
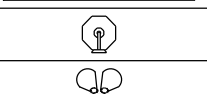
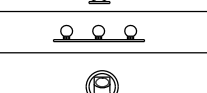
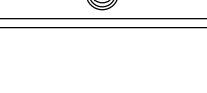


TRUSSES, BRACINGS, BRIDGING AND CONNECTORS ARE TO BE DESIGNED BY THE TRUSS MANUFACTURER.

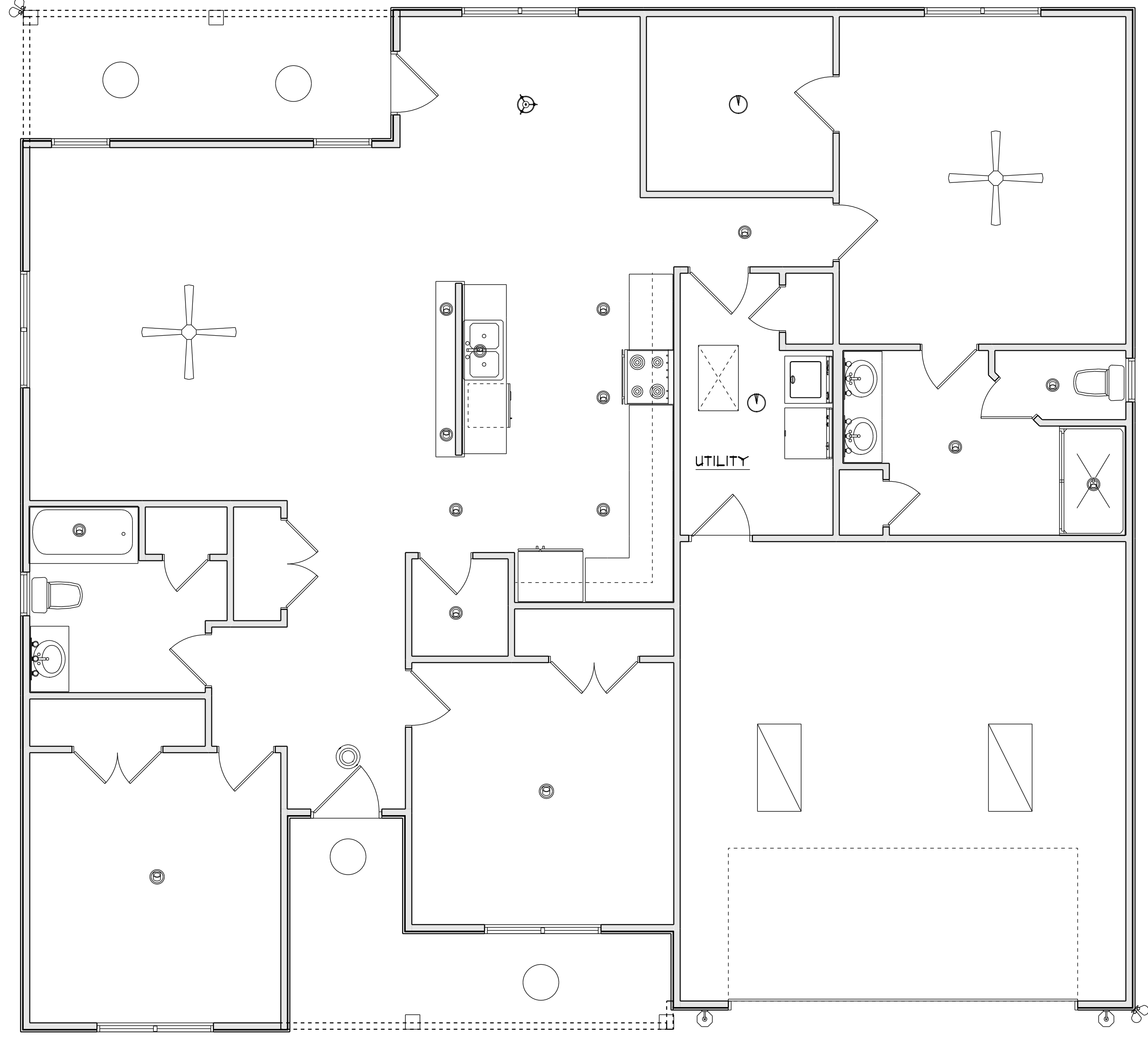
IDENTIFY LUMBER BY OFFICIAL GRADE MARKINGS.

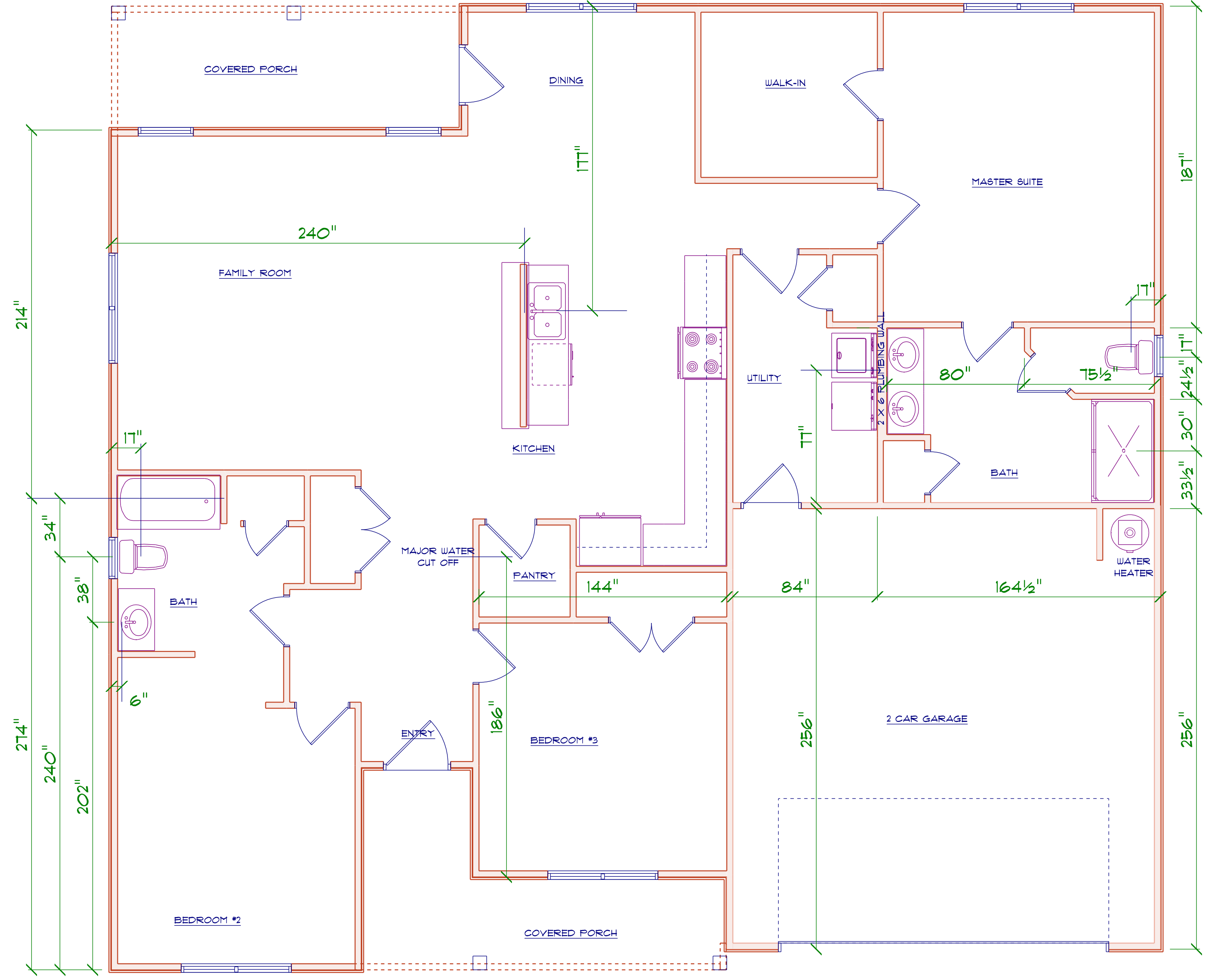
DO NOT CUT OR REMOVE CHORDS OR OTHER TRUSS MEMBERS. DO NOT NOTCH OR DRILL TRUSS MEMBERS.

WHERE PRE-ENGINEERED ROOF TRUSSES ARE USED, TRUSS MANUFACTURER SHALL PROVIDE SHOP DRAWINGS, WHICH BEAR SEAL OF A N. C. REGISTERED ENGINEER.



ELECTRICAL LEGEND		
ELECTRICAL	COUNT	SYMBOL
ceiling fan 4 bladed 01	2	
foyer light	1	
10" led light	2	
7" led disc	13	
out door over head	4	
ceiling light 19	1	
4' fluorescent light	2	
outdoor carriage light	2	
flood light	2	
vanity light	4	
over head light	2	





**PLUMBING DROP PLAN**

SCALE: 1" = 1/4"

**ROOF TRUSS NOTES:**

DO NOT CUT, DRILL, NOTCH, OR OTHERWISE DAMAGE TRUSSES. Contact your BFS Representative for assistance PRIOR TO modifying any truss.

Espanol - (NO CORTE, PERFORE, HAGA MUASCAS O DANE DE CUALQUIER OTRA MANERA LAS TRUSSES (CERCHAS DE MADERA). Contacte a su representante de BFS para asistencia ANTES de realizar cualquier modificación.)

- This Truss Placement Diagram is intended to serve as a guide for truss installation. This Diagram has been prepared by a Truss Technician and is not an engineered drawing.
- The responsibilities of the Owner, Building Designer, Contractor, Truss Designer, and Truss Manufacturer shall be as defined by the TPI 1 National Standard.
- The wood components shown on this diagram are to be used in dry service (moisture content <19%) and non-toxic environmental applications. The metal plates and hangers are galvanized to the G60 Standard unless noted otherwise.
- Refer to the Truss Design Drawings for specific information about each individual truss design.
- The Truss Technician shall provide Truss-to-Truss Connection Requirements. Any special or other connection shall be the responsibility of the Building Designer.
- The Truss Placement Diagram and Truss Design Drawings are the property of Builders FirstSource and may not be reused or reproduced in part or in total under any circumstances without prior written authorization.
- In some cases, field framing may be required to achieve the final appearance shown on the Construction Documents.
- Field framing, including valley rafters, installed over roof trusses shall have a knee brace from the rafter to the truss top chord at intervals of 48" on center (O.C.) or less. Stagger knee braces from adjacent rafters such that the load is distributed uniformly over multiple truss locations and not concentrated at one location or along one truss.
- Truss Top Chords shall be fully sheathed or have lateral bracing (purlins) spaced at 24" O.C. or less. Truss Bottom Chord Bracing shall not exceed the maximum shown on the Truss Design Drawing. Field framed bottom chord floor or ceiling attachments shall be spaced at 24" O.C. or less. Proper Bracing prevents buckling of individual truss members due to design loads.
- This Placement Diagram is based upon the supporting structure being structurally adequate, dimensionally correct, square, plumb, and level to adequately support the trusses. The foundation design, structural member sizing, load transfer, bearing conditions, and the structure's compliance with the applicable building code are the responsibility of the Owner, Building Designer, and Contractor.
- If Piggyback Trusses are included in this project, refer to the Mitek Piggyback Connection Detail applicable for the project details and wind load category.
- The Contractor shall follow the SBCE TTB Partition Separation Prevention and Solutions for truss attachment to non-load bearing walls and carefully complete these details to avoid gypsum wall board related issues.

**WARNING:**

TRUSSES MUST BE BRACED DURING INSTALLATION. FAILURE TO DO SO MAY RESULT IN INJURY OR DEATH.

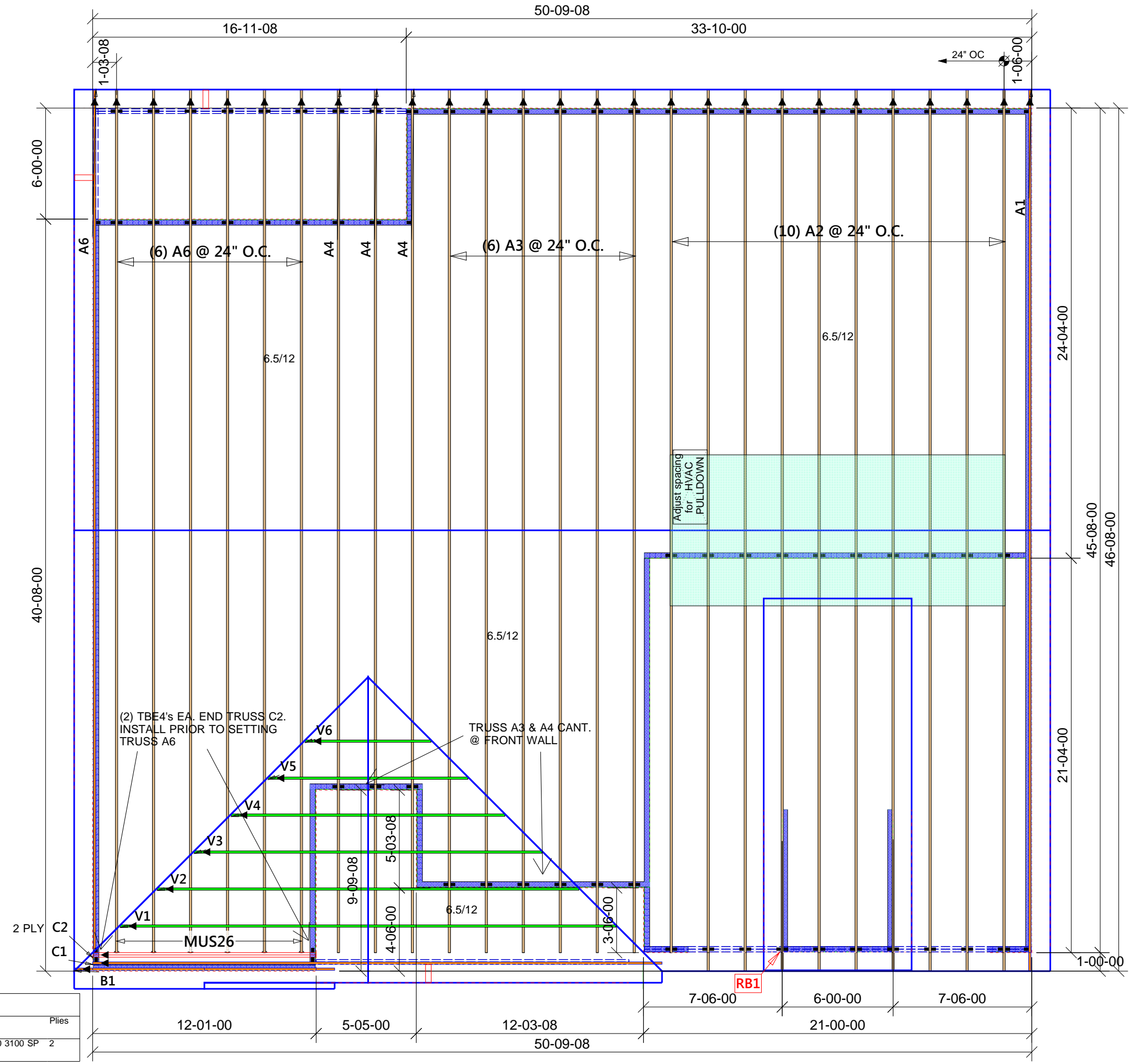
Espanol - (TRUSSES (CERCHAS) DEBERAN TENER UN SOPORTE DURANTE LA INSTALACION. NO HACERLO PODRIA RESULTAR EN LESIONES O MUERTE.)

- Trusses shall be installed in a safe manner meeting all code, local, OSHA, TPI, and BCSI Specifications. Failure to follow these specifications may result in injury or death.
- Buildings under construction are vulnerable to high winds and present a possible safety hazard. The Contractor is responsible for recognizing adverse weather conditions and shall take appropriate action to prevent injury or death.
- BCSI INSTRUCTIONS SHALL BE FOLLOWED:**  
 BCSI-B1 = Safe Truss Handling and Installation  
 BCSI-B2 = Installation and Temporary Restraint  
 BCSI-B3 = Permanent Restraint  
 BCSI-B4 = Safe Construction Loading  
 BCSI-B5 = Truss Damage and Modification Guidelines  
 BCSI-B7 = Floor Truss Installation  
 BCSI-B8 = Toe-Nailed Connections  
 BCSI-B9 = Multi-Ply Girders  
 BCSI-B10 = Post Frame Truss Installation  
 BCSI-B11 = Fall Protection
- Follow TPI Requirements for Long Span Trusses (>60').

**TOTAL ROOF AREA  
3057.34 SQ FT**

Truss Connector Total List		
Manuf	Product	Qty
Simpson	MUS26	6
Simpson	H2.5A	100
Simpson	TBE4	4

Products			
PlottID	Length	Product	Plies
RB1	21-00-00	1-3/4" x 18" VERSA-LAM® 2.0 3100 SP	2



Until the building is completely erected in accordance with plans, the trusses may be unstable and present a safety hazard. Truss instability may increase with building width, height, and length. Buildings under construction are vulnerable to high winds and present a possible safety hazard. It is the responsibility of the contractor and framer to recognize adverse weather conditions and take prompt and appropriate action to protect life and prevent injury. Prior to setting trusses, refer to Building Component Safety Information (BCSI) document produced by SBCE and TPI. Follow BCSI Specifications for Erection and Bracing.

Customer Name: Lamco Custom Homes  
 Subdivision: .  
 Lot#: .  
 Plan Name: Yarbrough Plan  
 MISC NOTES: .  
 File Name

**Builders**  
**FirstSource**  
 Albemarle, NC

Revisions:

Job Number

Drawn By:  
.CSL

DATE:  
4/29/2019

Page Number  
1 of 1

No Scale