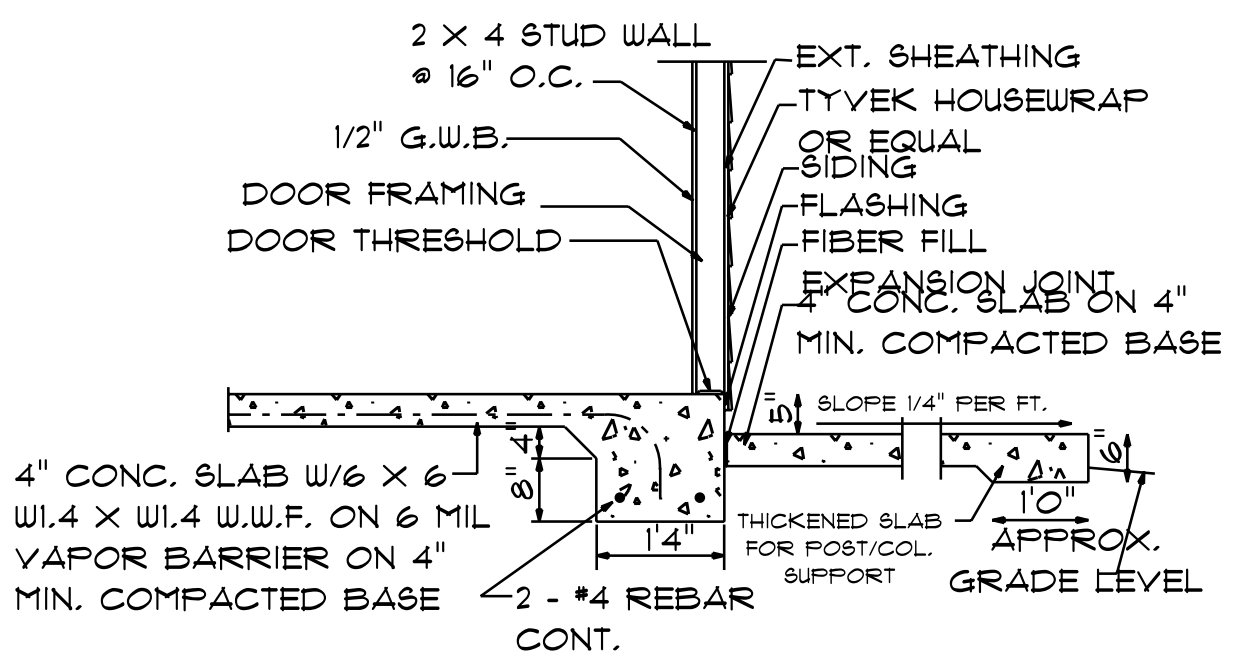
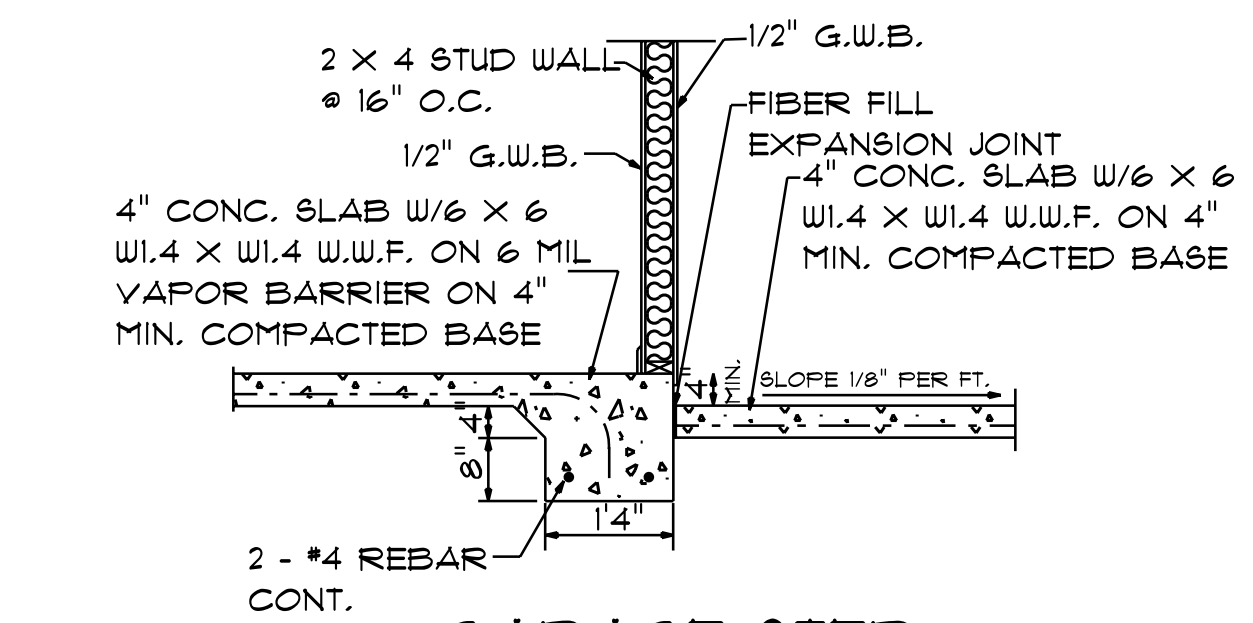


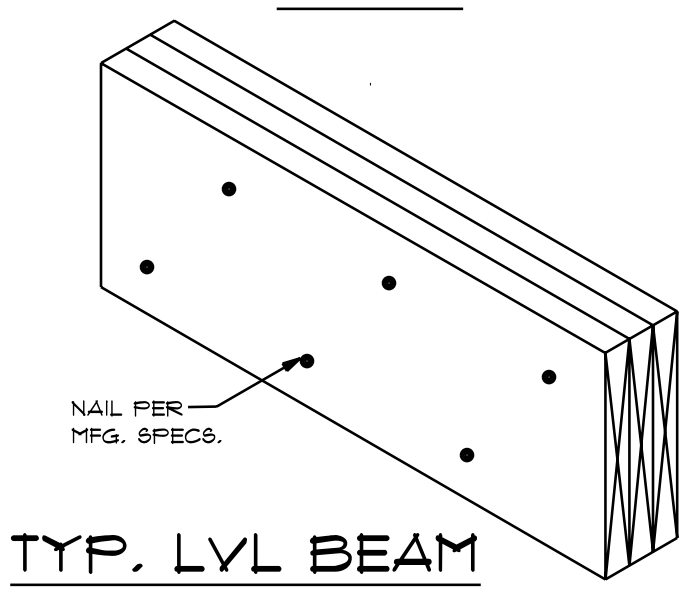
**EXTERIOR WALL W/SIDING**



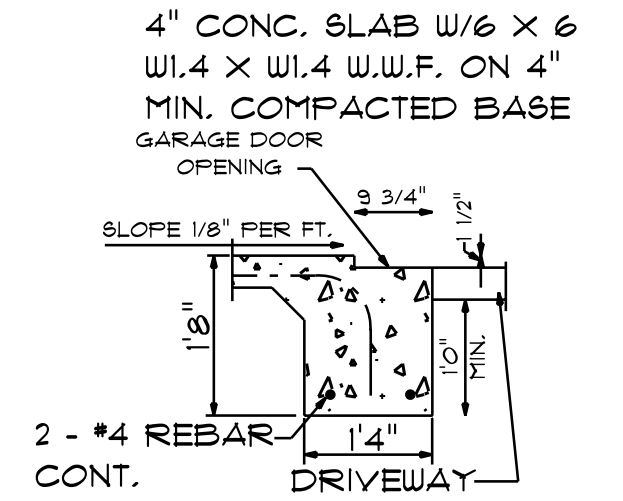
**EXTERIOR WALL @ PORCH W/SIDING**



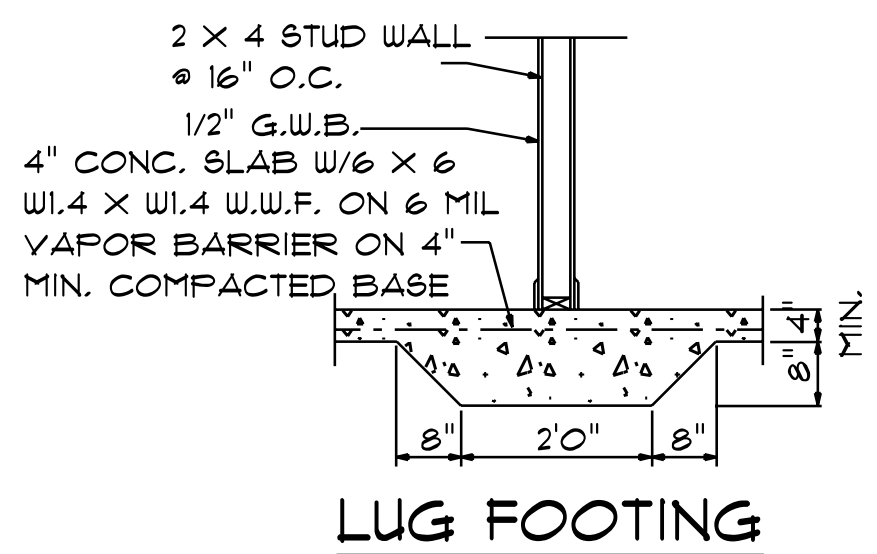
**GARAGE STEP DOWN**



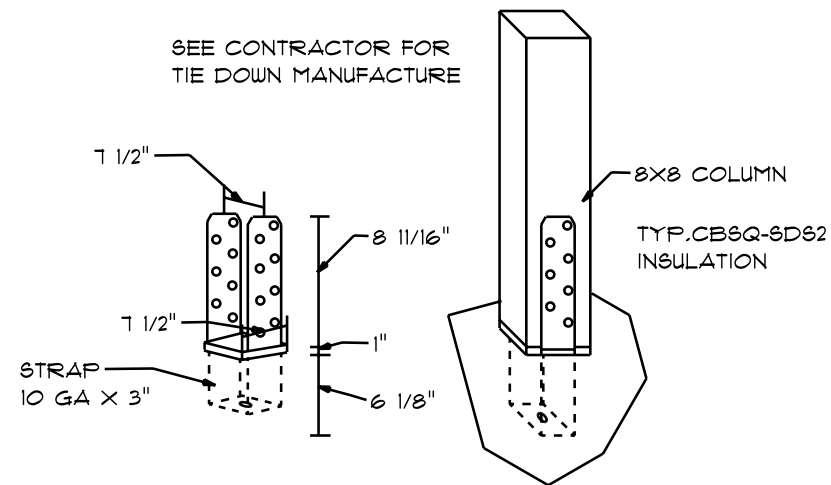
**TYP. LVL BEAM**



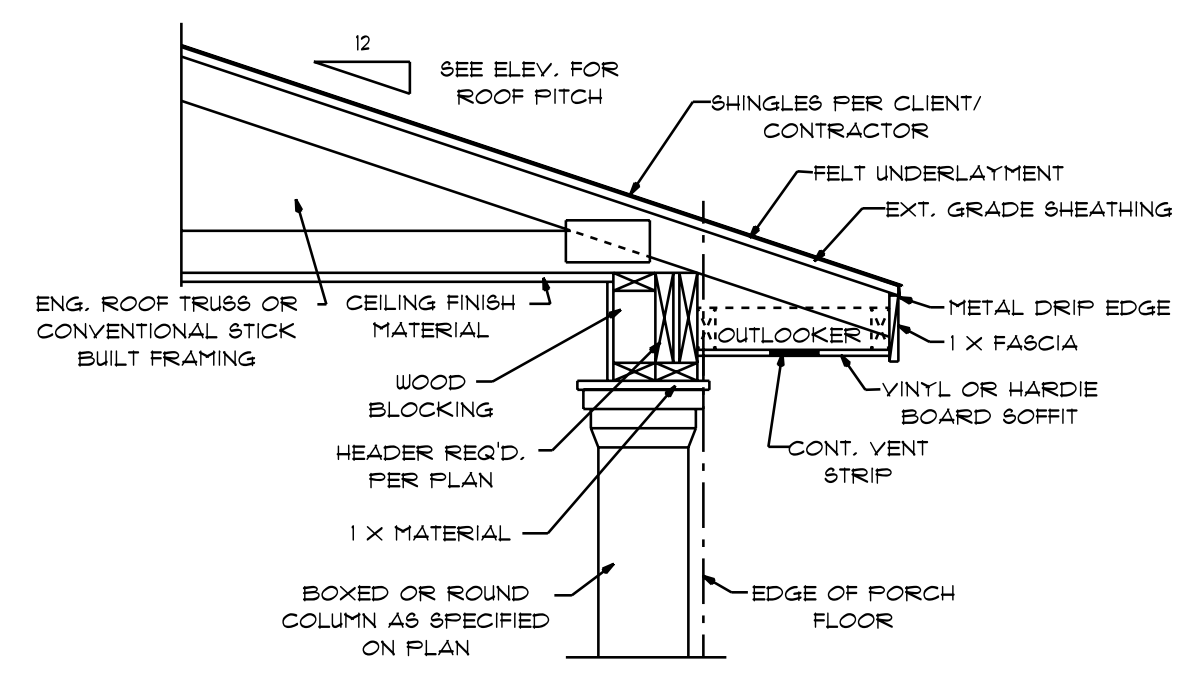
**GARAGE DOOR WATER STOP**



**LUG FOOTING**

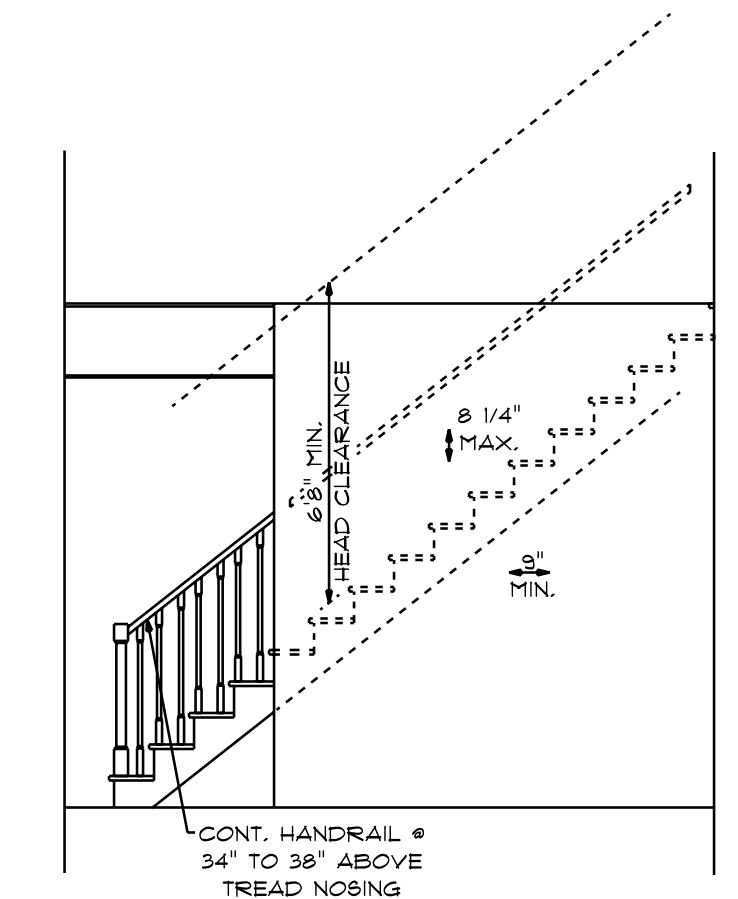


**TYP. TIE DOWN DETAIL**

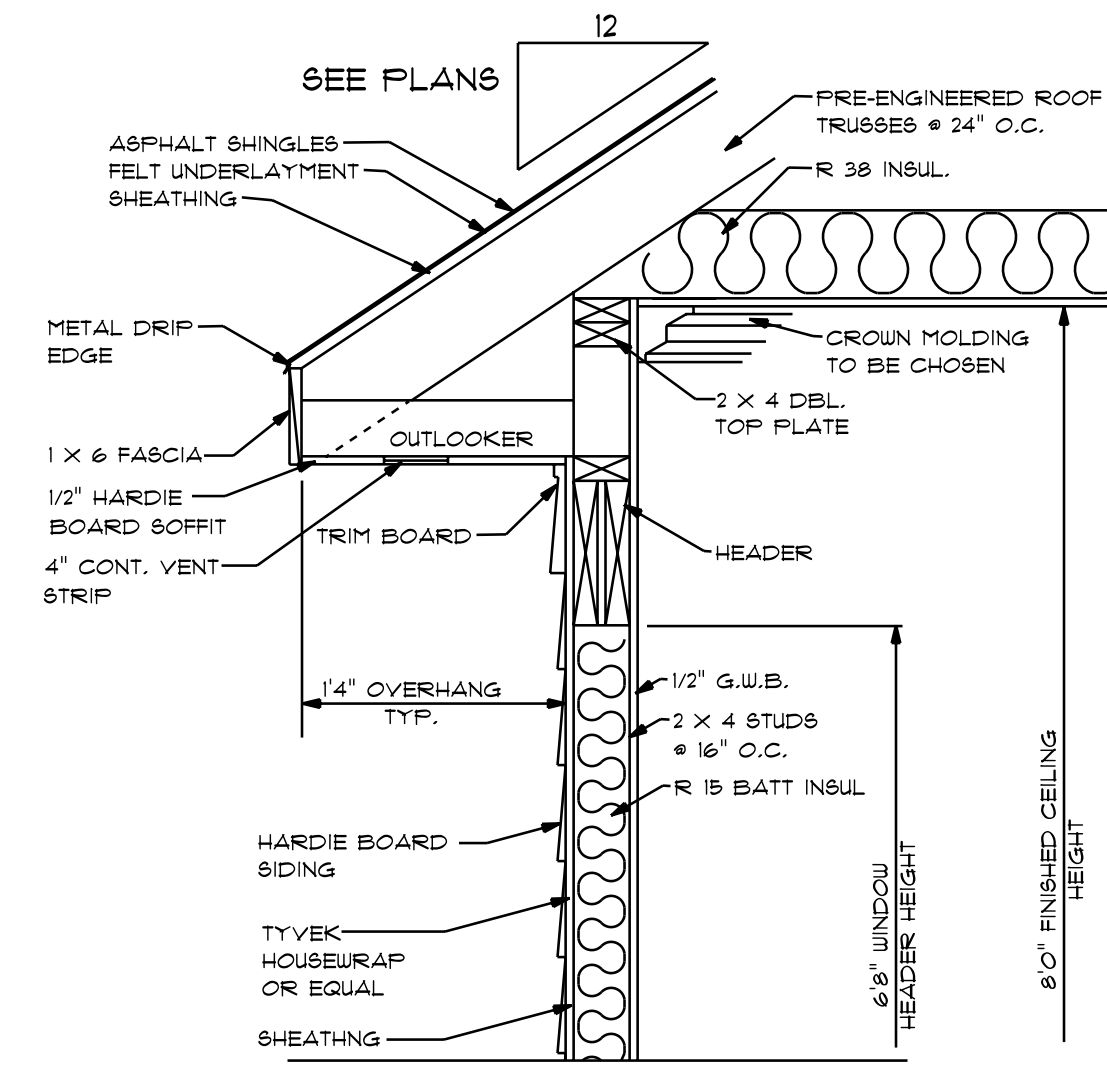


**PORCH ROOF/HEADER W/BOXED OR ROUND COLUMN**

SCALE: 3/4" = 1'0"



**TYPICAL STAIR DETAIL**



**TYP. OVERHANG DETAIL**

I DO HERBY CERTIFY THAT THIS DRAWING AND RELATED SPECIFICATIONS MEET ALL LOCAL REQUIREMENTS AND ARE IN SUBSTANTIAL CONFORMITY WITH THE INTERNATIONAL BUILDING CODE COUNCIL (2018 N.C. BUILDING CODE).

DESIGNED BY  
GCP DESIGNS  
HOPE MILLS, NORTH CAROLINA  
WWW.00GCP@MYWAY.COM

BOOHER  
SE-2171

SOUTHEASTERN CONSTRUCTION

SCALE: AS NOTED  
DATE: FEB. 2021  
DRAWN BY: CGP

SUBDIVISION  
LOT NO.  
NOTES