

REVISION LOG

- REVISION:001 DATE: 10/08/2020
1. ADD DELUXE KITCHEN OPTION
 2. CHANGE FOYER & 4 SEASONS ROOM TO ARCHED OPENING
 3. ADD NICHE TO SHOWER IN OWNER'S BATH.
 4. SHIFT WINDOW IN GARAGE UNDER STAIR RAKE FOR CLEARANCE IN BUNGALOW ELEVATION.
 5. CHANGE WAINSCOT TURNING CORNER AT PORCH TO OPTIONAL.
 6. REMOVED TOWEL RING IN BATH 3
 - 7.

NOTICE TO CONTRACTOR:
All construction must comply with current NC Building Codes and is subject to field inspection and verification.

APPROVED
Limited building only review.
Permit holder responsible for full compliance with the code.

02/17/2021

**LOT 1012 - ANDERSON CREEK
CARRIAGE GLEN
02.01.2021**



Palazzo 2020 RH

'CRAFTSMAN'



| ARCHITECTURAL DRAWINGS | | | |
|------------------------|--------------------------------|-----------|-------------------|
| Sheet No. | Sheet Description | Sheet No. | Sheet Description |
| 0.0 | Cover Sheet | | |
| 2.1 | First Floor Plan | | |
| 2.4 | Sitting Room Plan & Elevations | | |
| 2.5 | Screen Patio Plan & Elevations | | |
| 3.1 | Front & Rear Elevations (Slab) | | |
| 3.2 | Side Elevations (Slab) | | |
| 3.3 | Roof Plan | | |
| 4.0 | Building Sections (Slab) | | |
| 5.1 | First Floor Electrical | | |
| 8.1 | First Floor Flooring Plan | | |

DESIGN CRITERIA:

THIS PLAN IS TO BE BUILT IN CONFORMANCE WITH THE 2018 NORTH CAROLINA STATE BUILDING CODE: RESIDENTIAL CODE

DIMENSIONS SHALL GOVERN OVER SCALE, AND CODE SHALL GOVERN OVER DIMENSIONS.

| SQUARE FOOTAGE | | |
|-------------------------|---------------|-------------|
| | ELEVATION 'B' | |
| | UNHEATED | HEATED |
| FIRST FLOOR | 0 | 1716 |
| COVERED PORCH | 131 | 0 |
| PATIO | 321 | 0 |
| FRONT PORCH | 71 | 0 |
| 2 CAR GARAGE | 486 | 0 |
| SUBTOTALS | 1009 | 1716 |
| TOTAL UNDER ROOF | 2725 | |
| OPTIONS | | |
| | UNHEATED S.F. | HEATED S.F. |
| OPT SITTING ROOM | 0 | +131 |
| OPT SCREEN PATIO | 131 | 0 |

SOUTH DESIGNS
P.O. Box 688
Wake Forest, NC 27588
(O) 919-556-2226
(F) 919-556-2228
www.southdesigns.com

This plan is the property of South Designs, Inc. and may not be reproduced without the expressed written consent of South Designs, Inc. These drawings are offered to the named client for a conditional one time use. The conditional use is limited to the lot or property as specified herein, and only for said location.

South Designs, Inc. assumes no liability for any home constructed from these plans. Contractor or Builder shall verify all dimensions and conditions prior to construction. Caution must be exercised when making changes to these drawings. If changes are made to these drawings, contact South Designs, Inc.

CLIENT:

DRAWN BY:

ORIGINAL RELEASE DATE:

CURRENT RELEASE DATE:

| REV # | DATE | DESCRIPTION |
|-------|------|-------------|
| △ | | |
| △ | | |
| △ | | |

Palazzo 2020 RH

Cover Sheet 'Craftsman'

NOTE: SCALES NOTED ON DRAWINGS RELATE TO FULL SIZE 34x22 SHEETS - 11x17 SHEETS ARE 1/2 SCALE PLOTS

SHEET

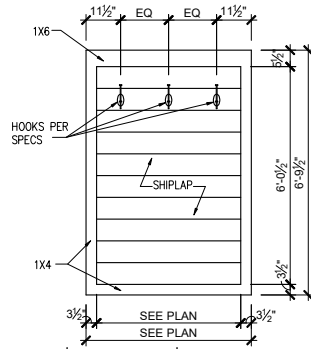
0.0b

COPYRIGHT 2020 SOUTH DESIGNS, INC.

General Floor Plan Notes

General Floor Plan Notes shall apply unless noted otherwise on plan.

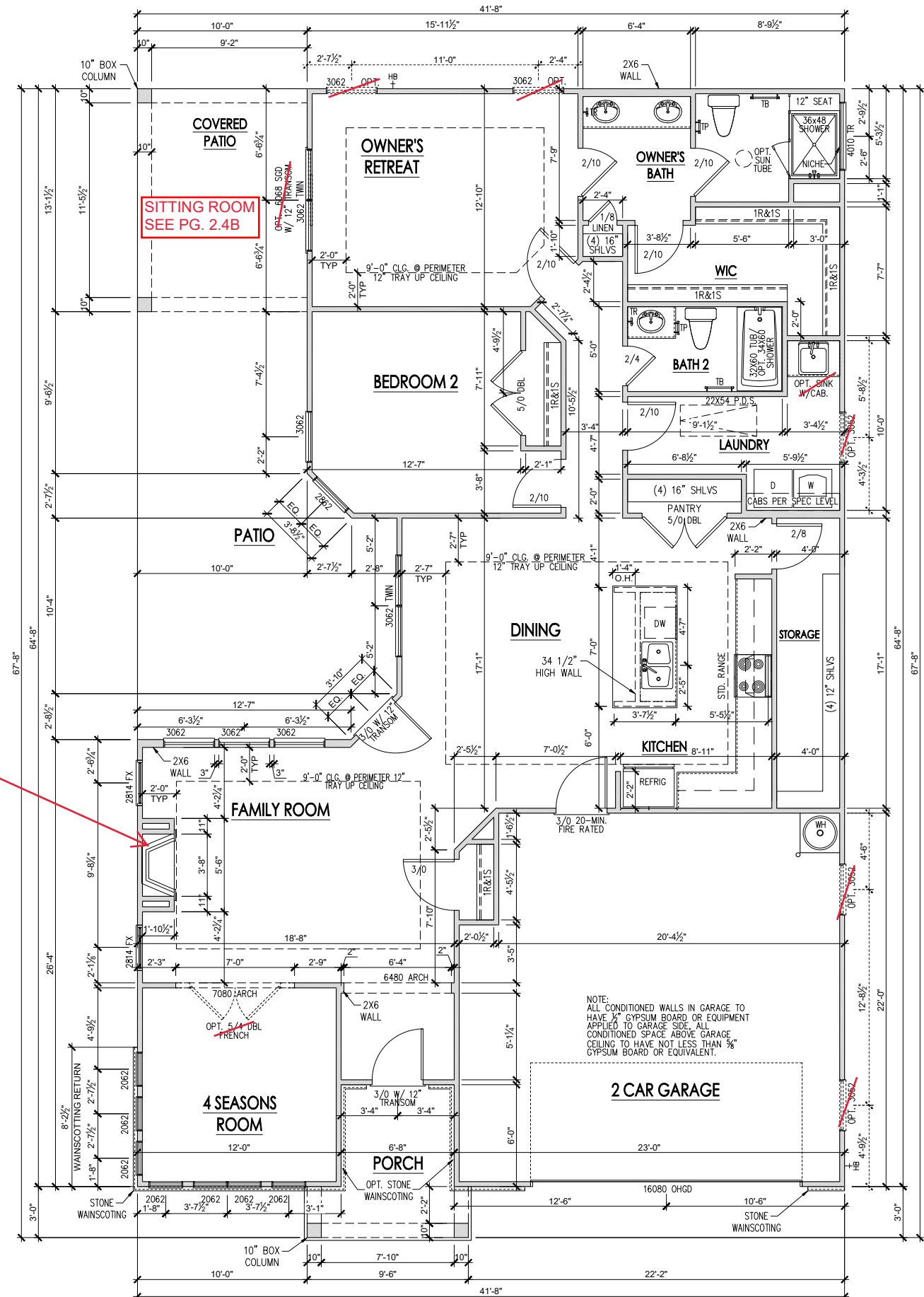
1. Wall Heights: Typically 9'-1 1/2" at first floor 8'-1 1/2" at second floor, and 8'-1 1/2" at attics U.N.O. All walls are constructed using a double top plate. Splices at Double Top Plate do not need to occur at Vertical Studs but must be at least 24" apart from Joint in other Top Plate layer. Special wall heights are noted on plans where they occur.
2. Wall Thickness is typically 3 1/2". 2x6 frame shall be used at walls that back up to plumbing fixtures. Walls greater than 10' high shall be framed with 2x6 framing or greater and will be noted as a special condition where it occurs on plan.
3. Typical header height shall be 8'-0" AFF at First Floor, and 7'-2" AFF at Second Floor U.N.O.
4. Jacks: Openings up to 3'-4" wide shall have (1) 2x4 jack stud SPF on each side. Openings greater than 3'-4" wide shall have (2) 2x4 jack studs SPF on each side.
5. Soffits: Coffered Ceilings, Tray Ceilings and other significant ceiling plan elements are shown on the floor plans and are denoted as single dashed lines. Unless specifically call out as included, Kitchens do not include soffits over wall cabinetry.
6. Door & Window Frames, where occurring near corners, shall be a minimum of 4 1/2" from corner. Except for walk-in closets with doors near a corner, doors at closets shall be centered on closet.
7. Windows: Shall have at least (1) window in each sleeping room, that meets egress. Shall be provided with tempered glass at hazardous glazing areas. False windows shall be installed with obscure glazing.
8. Closets for clothing or coat storage shall be equipped with 1 rod/shelf. Closets for linen shall have 4 open equal shelves. Closets for pantries shall have 4 equal wood shelves, painted.
9. Stair treads shall be a min of 9" deep, risers shall be a maximum of 8 1/4", unless noted otherwise, per the current North Carolina Residential Code
10. Handrails and Guards of stairs shall be 34" above the finished surface of the ramp surface of the stair. Handrails at landings and overlooks of multilevel spaces shall be 36" above finished floor. Guards (pickets or balusters) shall be spaced with no more than 4" between guards.
11. Attic Access shall be provided at all attic area with a height greater than 30". Minimum clear attic access shall be 20" x 30". Pull down stairs and access doors in knee walls meeting minimum criteria are also acceptable.
12. Garage Door to Living Space shall be 2'-8" x 6'-8" minimum size and shall be 20 minute fire rated and weather sealed.
13. Garage Walls, as a minimum, shall be separated from living space by installing 1/2" gypsum board on the garage side of the wall. With habitable space above, the inside of all garage walls require 1/2" GWB supporting 5/8" type X GWB on ceiling.



SHIPLAP DETAIL

SCALE: 3/16"=1'-0" ON 11x17, 3/4"=1'-0" ON 22x34

SIMPLIFIRE 36" ELECTRIC FIREPLACE



FIRST FLOOR PLAN 'CRAFTSMAN'

SCALE: 1/8"=1'-0" ON 11x17, 1/4"=1'-0" ON 22x34

COPYRIGHT 2020 SOUTH DESIGNS, INC.



SOUTH DESIGNS

P.O. Box 688
Wake Forest, NC 27588
(O) 919-556-2226
(F) 919-556-2228
www.southdesigns.com

This plan is the property of South Designs, Inc. and may not be reproduced without the expressed written consent of South Designs, Inc. These drawings are offered to the named client for a conditional one time use. The conditional use is limited to the lot or property as specified herein, and only for said location. South Designs, Inc. assumes no liability for any home constructed from these plans. Contractor or Builder shall verify all dimensions and conditions prior to construction. Caution must be exercised when making changes to these drawings. If changes are made to these drawings, contact South Designs, Inc.

CLIENT:



DRAWN BY:

ORIGINAL RELEASE DATE:

CURRENT RELEASE DATE:

REV # / DATE / DESCRIPTION

| | | |
|---|--|--|
| Δ | | |
| Δ | | |
| Δ | | |

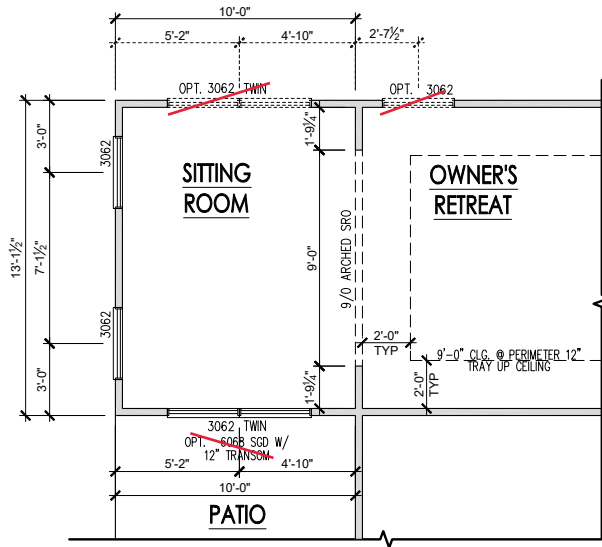
NOTE: SCALES NOTED ON DRAWINGS RELATE TO FULL SIZE 34x22 SHEETS - 11x17 SHEETS ARE 1/2 SCALE PLOTS

Palazzo 2020 RH

First Floor Plan 'Craftsman'

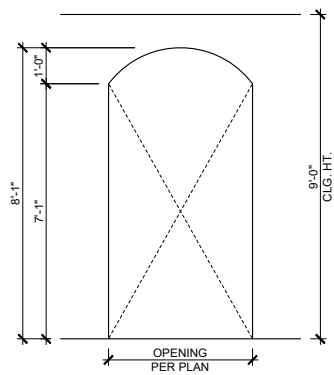
SHEET

2.1b



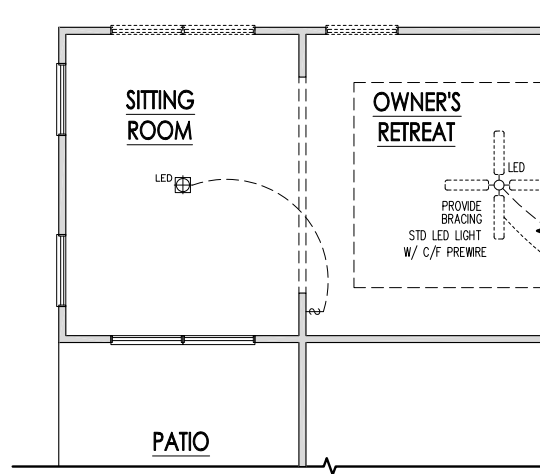
SITTING ROOM FLOOR PLAN

SCALE: 1/8"=1'-0" ON 11x17, 1/4"=1'-0" ON 22x34



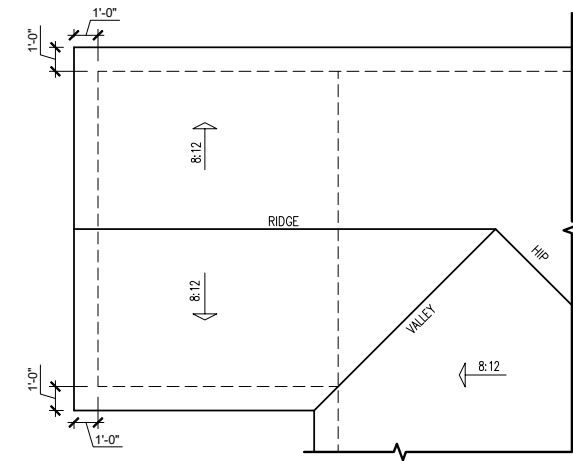
TYP. ARCHED OPENING

SCALE: 3/8"=1'-0" ON 11x17, 3/4"=1'-0" ON 22x34



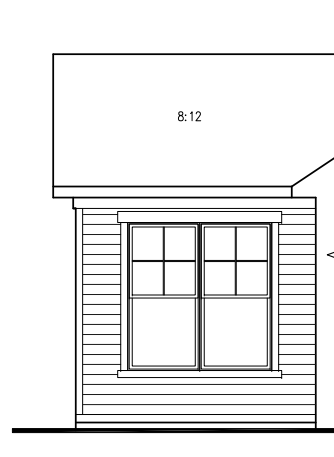
SITTING ROOM ELECTRICAL

SCALE: 1/8"=1'-0" ON 11x17, 1/4"=1'-0" ON 22x34



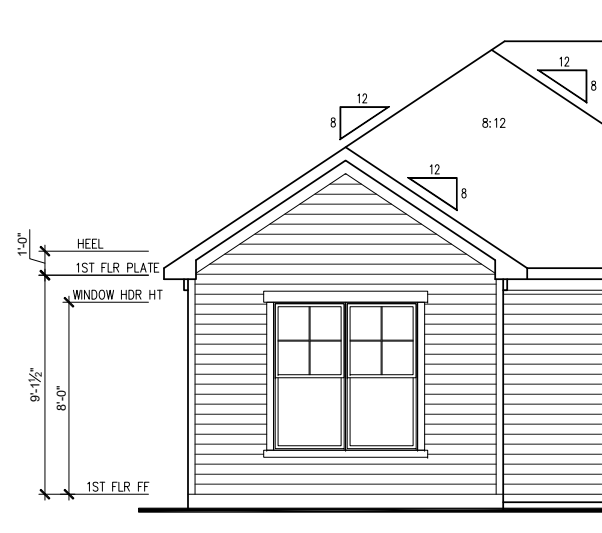
SITTING ROOM ROOF PLAN

SCALE: 1/8"=1'-0" ON 11x17, 1/4"=1'-0" ON 22x34



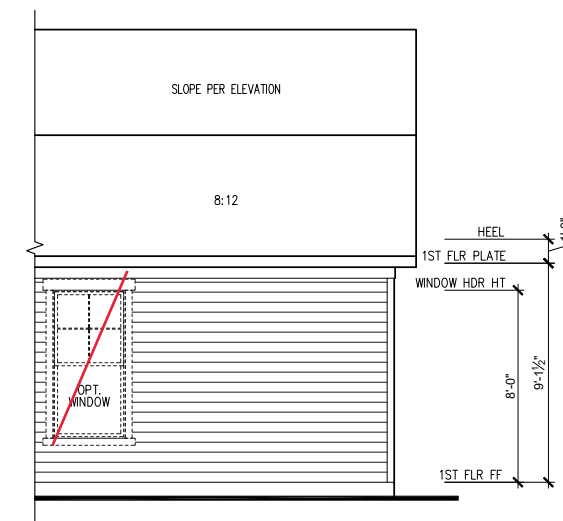
PARTIAL FRONT SIDE ELEVATION

SCALE: 1/8"=1'-0" ON 11x17, 1/4"=1'-0" ON 22x34



PARTIAL LEFT SIDE ELEVATION

SCALE: 1/8"=1'-0" ON 11x17, 1/4"=1'-0" ON 22x34



SITTING ROOM REAR ELEVATION

SCALE: 1/8"=1'-0" ON 11x17, 1/4"=1'-0" ON 22x34

COPYRIGHT 2020 SOUTH DESIGNS, INC.



SOUTH DESIGNS

P.O. Box 688
Wake Forest, NC 27588
(O) 919-556-2226
(F) 919-556-2228
www.southdesigns.com

This plan is the property of South Designs, Inc. and may not be reproduced without the expressed written consent of South Designs, Inc. These drawings are offered to the named client for a conditional one time use. The conditional use is limited to the lot or property as specified herein, and only for said location.

South Designs, Inc. assumes no liability for any home constructed from these plans. Contractor or Builder shall verify all dimensions and conditions prior to construction. Caution must be exercised when making changes to these drawings. If changes are made to these drawings, contact South Designs, Inc.

CLIENT:



DRAWN BY:

ORIGINAL RELEASE DATE:

CURRENT RELEASE DATE:

REV # DATE / DESCRIPTION

△

△

△

△

Palazzo 2020 RH

Sitting Room Plans & Elevations
'Craftsman'

SHEET

2.4b

NOTE: SCALES NOTED ON DRAWINGS RELATE TO FULL SIZE 34x22 SHEETS - 11x17 SHEETS ARE 1/2 SCALE PLOTS

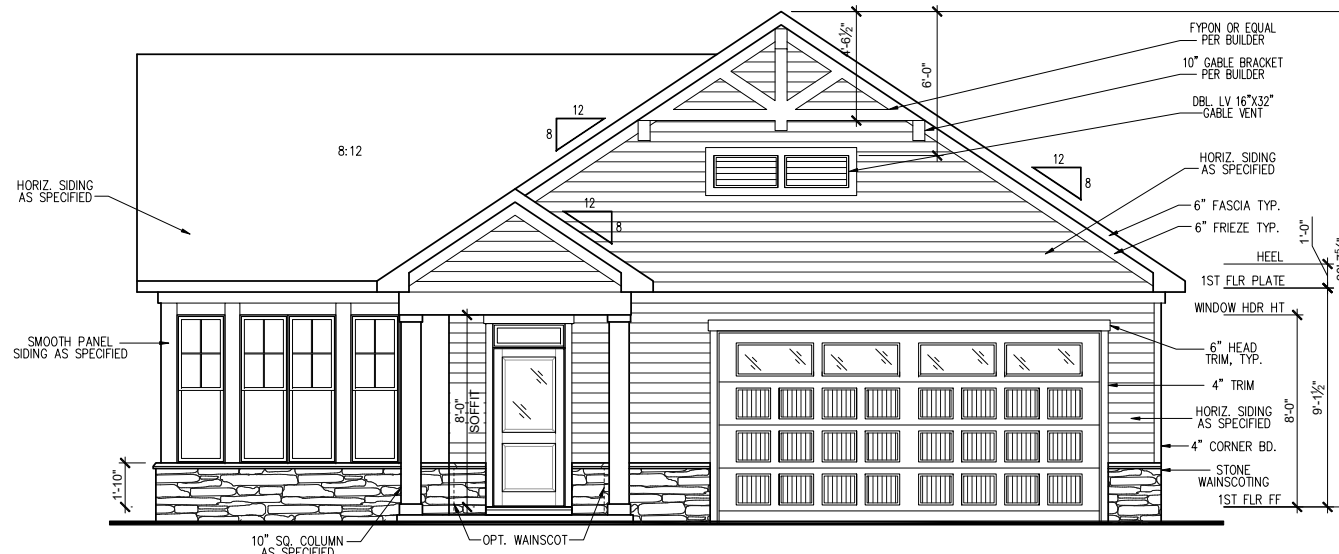
General Elevation Notes

General Elevation Notes shall apply unless noted otherwise on plan.

- Roof shall be finished with architectural composition shingles with slopes as noted on plan.
- Ridge Vent shall be provided and installed on all ridges greater than 6' in length per manufacturer's specifications.
- Soffit Vent shall be continuous soffit vent
- House Wrap, "Tyvek" or approved equal shall be installed over entire exterior wall per manufacturer's specifications and recommendations.
- Flashing shall be provided above all door and window openings, above finish wall material changes and at wall surfaces where lower roof areas abut vertical wall surfaces.
- Porch Railings shall be provided at all porch walking surfaces greater than 30" above adjacent finished grade. It shall be 36" high with guards spaced no more than 4" apart. Consult community specifications for material.
- Finish Wall Material shall be as noted on elevation drawings.
- Brick Veneer, if included on elevation shall be tied to wall surface with galvanized corrugated metal ties at a rate of 24" oc horizontally and 16" oc vertically so that no more than 2.67sf of brick is supported by (1) tie. Space between face of wall and back face of brick shall be limited to a maximum of 1". Flashing shall be provided behind brick above all wall openings and at base of brick wall. Flashing shall be a minimum of 4-mil poly or other corrosion resistant material and shall be installed so that it laps under the house wrap material a minimum of 2". Weepholes shall be provided at a rate of 48" oc and shall not be less than 3/16" in diameter and shall be located immediately above flashing.
- Brick Veneer Support Lintels shall be provided if brick veneer is included on elevation. Lintels shall be provided as listed in the following schedule and shall have a minimum bearing length of 6". Masonry Lintels shall be provided so that deflection is limited to L/600.

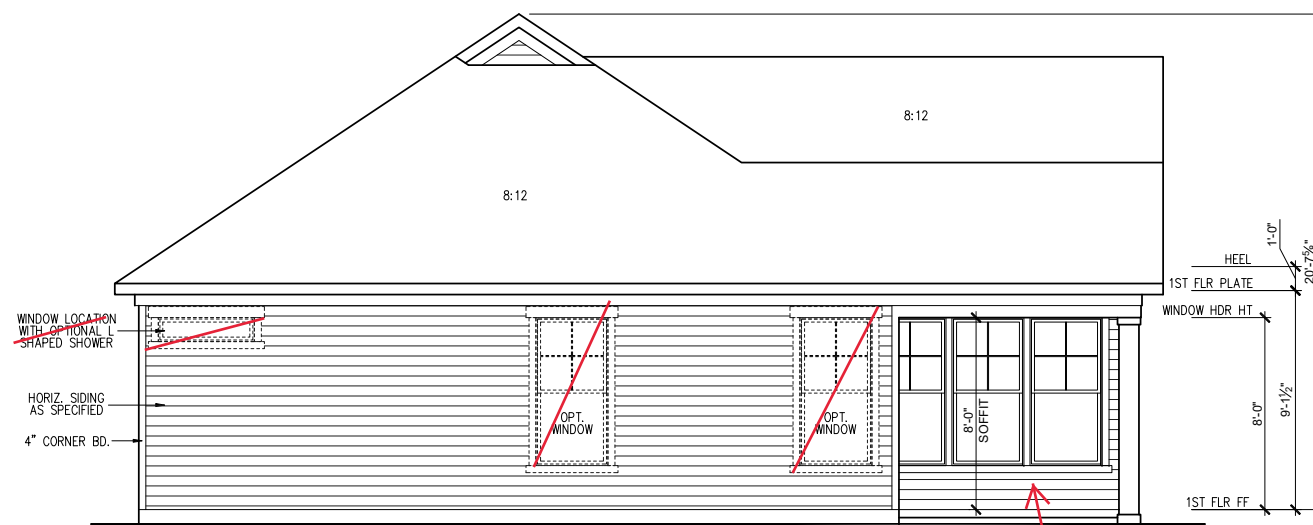
Masonry Opening Lintel Schedule

| Opening Size | Angle |
|-----------------|-------------------------|
| up to 4'-0" | 3-1/2" x 3-1/2" x 5/16" |
| 4'-1" to 5'-6" | 4" x 3-1/2" x 5/16" LLV |
| 5'-7" to 6'-6" | 5" x 3-1/2" x 5/16" LLV |
| 6'-7" to 8'-4" | 6" x 3-1/2" x 5/16" LLV |
| 8'-5" to 16'-4" | 7" x 4" x 3/8" LLV |



FRONT ELEVATION 'CRAFTSMAN' (SLAB)

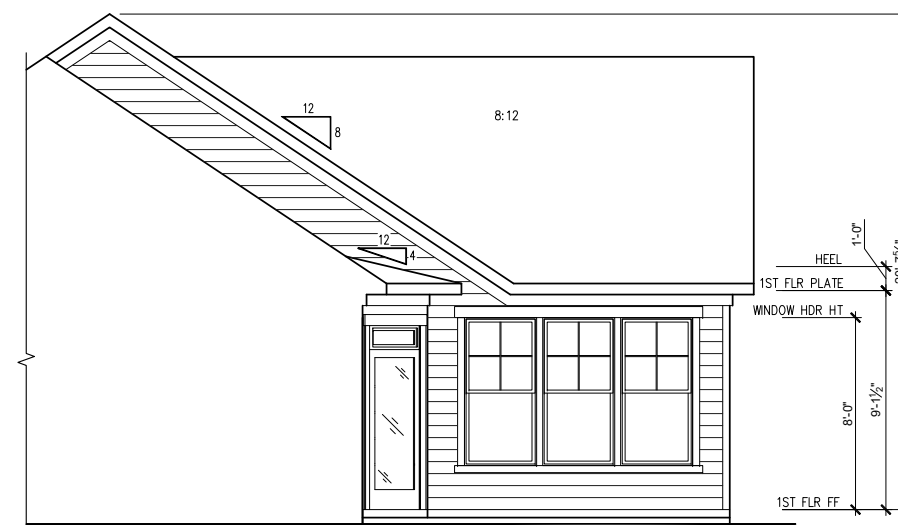
SCALE: 1/4" = 1'-0" ON 22x34, 1/8" = 1'-0" ON 11x17



PARTIAL REAR ELEVATION AT FAMILY ROOM

SCALE: 1/8"=1'-0" ON 11x17, 1/4"=1'-0" ON 22x34

SITTING ROOM
SEE PG. 2.4B



REAR ELEVATION 'CRAFTSMAN' (SLAB)

SCALE: 1/4" = 1'-0" ON 22x34, 1/8" = 1'-0" ON 11x17



SOUTH DESIGNS

P.O. Box 688
Wake Forest, NC 27588
(O) 919-556-2226
(F) 919-556-2228
www.southdesigns.com

This plan is the property of South Designs, Inc. and may not be reproduced without the expressed written consent of South Designs, Inc. These drawings are offered to the named client for a conditional one time use. The conditional use is limited to the lot or property as specified herein, and only for said location. South Designs, Inc. assumes no liability for any home constructed from these plans. Contractor or Builder shall verify all dimensions and conditions prior to construction. Caution must be exercised when making changes to these drawings. If changes are made to these drawings, contact South Designs, Inc.

CLIENT:



DRAWN BY:

ORIGINAL RELEASE DATE:

CURRENT RELEASE DATE:

REV # / DATE / DESCRIPTION

| | | |
|---|--|--|
| △ | | |
| △ | | |
| △ | | |

Palazzo 2020 RH

Front & Rear Elevations 'Craftsman'

SHEET

3.1b

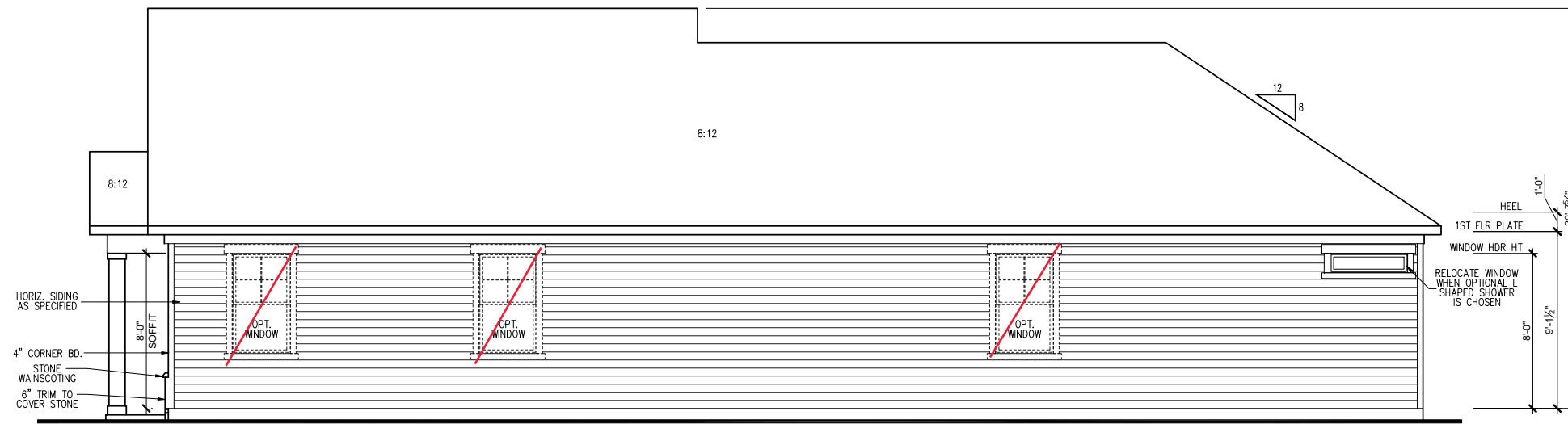
General Elevation Notes

General Elevation Notes shall apply unless noted otherwise on plan.

1. Roof shall be finished with architectural composition shingles with slopes as noted on plan.
2. Ridge Vent shall be provided and installed on all ridges greater than 6' in length per manufacturer's specifications.
3. Soffit Vent shall be continuous soffit vent
4. House Wrap, "Tyvek" or approved equal shall be installed over entire exterior wall per manufacturer's specifications and recommendations.
5. Flashing shall be provided above all door and window openings, above finish wall material changes and at wall surfaces where lower roof areas abut vertical wall surfaces.
6. Porch Railings shall be provided at all porch walking surfaces greater than 30" above adjacent finished grade. It shall be 36" high with guards spaced no more than 4" apart. Consult community specifications for material.
7. Finish Wall Material shall be as noted on elevation drawings.
8. Brick Veneer, if included on elevation shall be tied to wall surface with galvanized corrugated metal ties at a rate of 24" oc horizontally and 16" oc vertically so that no more than 2.67sf of brick is supported by (1) tie. Space between face of wall and back face of brick shall be limited to a maximum of 1". Flashing shall be provided behind brick above all wall openings and at base of brick wall. Flashing shall be a minimum of 6-mil poly or other corrosion resistant material and shall be installed so that it laps under the house wrap material a minimum of 2". Weepholes shall be provided at a rate of 48" oc and shall not be less than 3/16" in diameter and shall be located immediately above flashing.
9. Brick Veneer Support Lintels shall be provided if brick veneer is included on elevation. Lintels shall be provided as listed in the following schedule and shall have a minimum bearing length of 6". Masonry Lintels shall be provided so that deflection is limited to 1/600.

Masonry Opening Lintel Schedule

| Opening Size | Angle |
|-----------------|-------------------------|
| up to 4'-0" | 3-1/2" x 3-1/2" x 5/16" |
| 4'-1" to 5'-6" | 4" x 3-1/2" x 5/16" LLV |
| 5'-7" to 6'-6" | 5" x 3-1/2" x 5/16" LLV |
| 6'-7" to 8'-4" | 6" x 3-1/2" x 5/16" LLV |
| 8'-5" to 16'-4" | 7" x 4" x 3/8" LLV |



RIGHT SIDE ELEVATION 'CRAFTSMAN' (SLAB)

SCALE: 1/4" = 1'-0" ON 22x34, 1/8" = 1'-0" ON 11x17



LEFT SIDE ELEVATION 'CRAFTSMAN' (SLAB)

SCALE: 1/4" = 1'-0" ON 22x34, 1/8" = 1'-0" ON 11x17

SITTING ROOM
SEE PG. 2.4B

COPYRIGHT 2020 SOUTH DESIGNS, INC.



SOUTH DESIGNS
P.O. Box 688
Wake Forest, NC 27588
(O) 919-556-2226
(F) 919-556-2228
www.southdesigns.com

This plan is the property of South Designs, Inc. and may not be reproduced without the expressed written consent of South Designs, Inc. These drawings are offered to the named client for a conditional one time use. The conditional use is limited to the lot or property as specified herein, and only for said location. South Designs, Inc. assumes no liability for any home constructed from these plans. Contractor or Builder shall verify all dimensions and conditions prior to construction. Caution must be exercised when making changes to these drawings. If changes are made to these drawings, contact South Designs, Inc.

CLIENT:



DRAWN BY:

ORIGINAL RELEASE DATE:

CURRENT RELEASE DATE:

REV # / DATE / DESCRIPTION

△

△

△

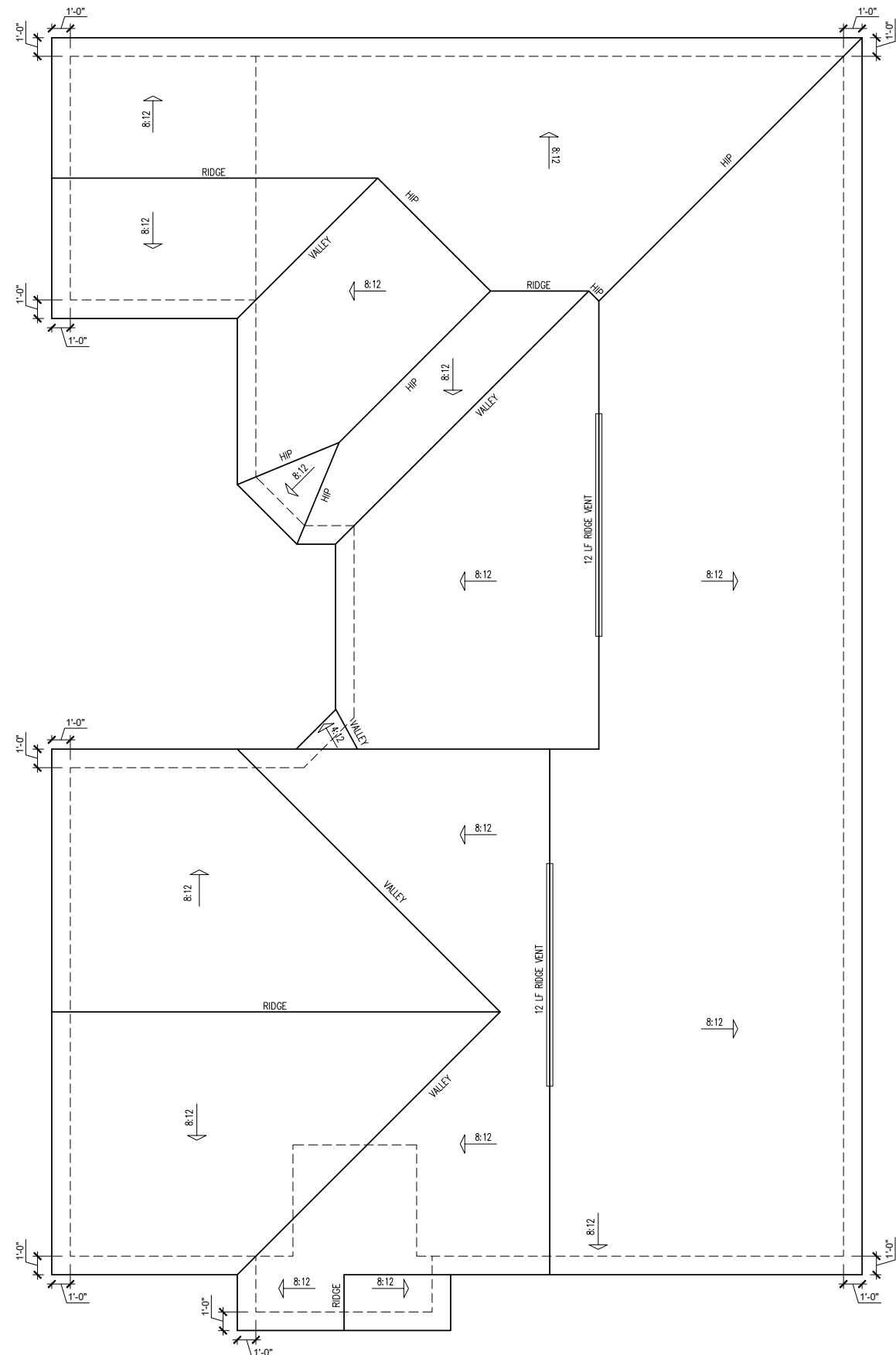
Palazzo 2020 RH

Side Elevations 'Craftsman'

SHEET

3.2b

NOTE: SCALES NOTED ON DRAWINGS RELATE TO FULL SIZE 34x22 SHEETS - 11x17 SHEETS ARE 1/2 SCALE PLOTS



| ATTIC VENT SCHEDULE | | | | | | | | |
|-----------------------|------------------------|------------------|---------------------------|--------------------------|--|-----------------------------|--------------------------|-----------------------------|
| ELEVATION 'CRAFTSMAN' | | | | | | | | |
| MAIN HOUSE | | SQ FTG | 2402 | AT / NEAR RIDGE | | | AT / NEAR EAVE | |
| VENT TYPE | SQ. FT. REQUIRED RANGE | SQ. FT. SUPPLIED | PERCENT OF TOTAL SUPPLIED | POT LARGE (SQ. FT. EACH) | POT SMALL (SQ. FT. EACH) | RIDGE VENT (SQ. FT. PER LF) | EAVE VENT (SQ. IN. EACH) | CONT. VENT (SQ. IN. PER LF) |
| RIDGE VENT | 3.20 | 4.00 | 3.00 | 46.60 | 0 | 0 | 24.00 | |
| SOFFIT VENTS | 4.80 | 4.00 | 3.44 | 53.40 | | | 0 | 55.00 |
| TOTAL (MIN) | 8.01 | 8.01 | 6.44 | 100.00 | POT VENTS MAY BE REQUIRED IF THERE IS INSUFFICIENT RIDGE AVAILABLE | | | |

* SCHEDULE HAS BEEN CALCULATED ASSUMING EAVE VENTILATION AT 50-60% OF TOTAL AND RIDGE AT 40-50% OF TOTAL REQUIRED VENTILATION



SOUTH DESIGNS
 P.O. Box 688
 Wake Forest, NC 27588
 (O) 919-556-2226
 (F) 919-556-2228
 www.southdesigns.com

This plan is the property of South Designs, Inc. and may not be reproduced without the expressed written consent of South Designs, Inc. These drawings are offered to the named client for a conditional one time use. The conditional use is limited to the lot or property as specified herein, and only for said location. South Designs, Inc. assumes no liability for any home constructed from these plans. Contractor or Builder shall verify all dimensions and conditions prior to construction. Caution must be exercised when making changes to these drawings. If changes are made to these drawings, contact South Designs, Inc.



CLIENT:

DRAWN BY:

ORIGINAL RELEASE DATE:

CURRENT RELEASE DATE:

| REV # | DATE | DESCRIPTION |
|-------|------|-------------|
| △ | | |
| △ | | |
| △ | | |

Palazzo 2020 RH

Roof Plan 'Craftsman'

'CRAFTSMAN' ROOF PLAN
 SCALE: 1/4" = 1'-0" ON 22x34, 1/8" = 1'-0" ON 11x17

NOTE: SCALES NOTED ON DRAWINGS RELATE TO FULL SIZE 34x22 SHEETS - 11x17 SHEETS ARE 1/2 SCALE PLOTS



SOUTH DESIGNS
 P.O. Box 688
 Wake Forest, NC 27588
 (O) 919-556-2226
 (F) 919-556-2228
 www.southdesigns.com

This plan is the property of South Designs, Inc. and may not be reproduced without the expressed written consent of South Designs, Inc. These drawings are offered to the named client for a conditional one time use. The conditional use is limited to the lot or property as specified herein, and only for said location. South Designs, Inc. assumes no liability for any home constructed from these plans. Contractor or Builder shall verify all dimensions and conditions prior to construction. Caution must be exercised when making changes to these drawings. If changes are made to these drawings, contact South Designs, Inc.



CLIENT:

DRAWN BY:

ORIGINAL RELEASE DATE:

CURRENT RELEASE DATE:

| REV # | DATE / DESCRIPTION |
|-------|--------------------|
| Δ | |
| Δ | |
| Δ | |

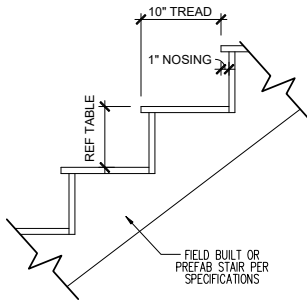
Palazzo 2020 RH

Building Sections 'Craftsman'

SHEET

4.0b

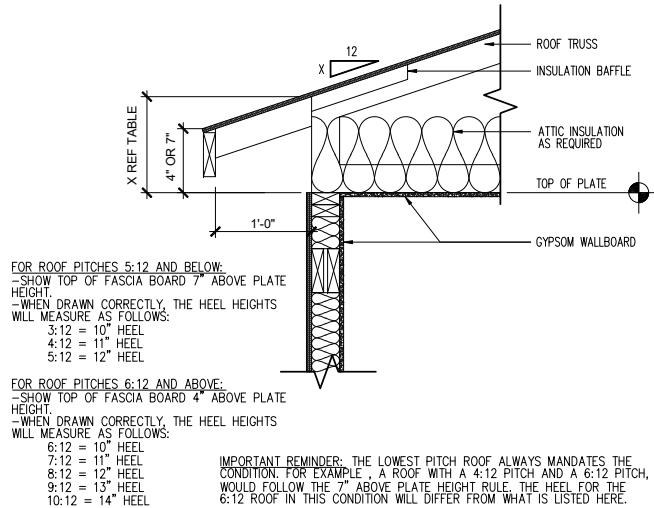
NOTE: SCALES NOTED ON DRAWINGS RELATE TO FULL SIZE 34x22 SHEETS - 11x17 SHEETS ARE 1/2 SCALE PLOTS



| PLATE HEIGHT | 10" FLOOR SYSTEM | 14" FLOOR SYSTEM | 16" FLOOR SYSTEM |
|--------------|----------------------|---------------------|----------------------|
| 8'-1 1/2" | 14 RISERS @ 7 11/16" | 15 RISERS @ 7 1/2" | 15 RISERS @ 7 5/8" |
| 9'-1 1/2" | 16 RISERS @ 7 1/2" | 16 RISERS @ 7 3/4" | 17 RISERS @ 7 7/16" |
| 10'-1 1/2" | 17 RISERS @ 7 3/4" | 18 RISERS @ 7 9/16" | 18 RISERS @ 7 11/16" |

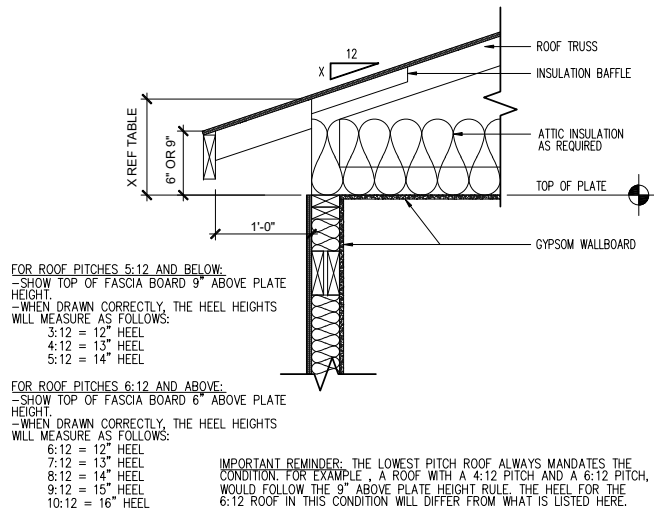
TYPICAL STAIR DETAIL

SCALE: 1" = 1'-0" ON 22x34, 1/2" = 1'-0" ON 11x17



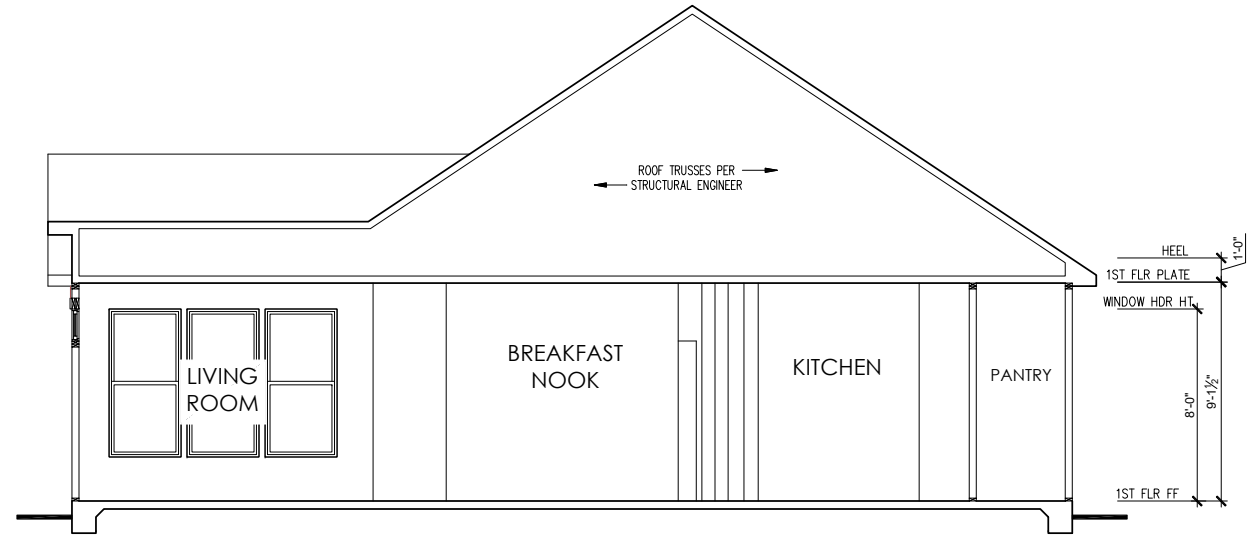
ENERGY HEEL DETAIL: CZ 2 & 3

SCALE: 1" = 1'-0" ON 22x34, 1/2" = 1'-0" ON 11x17



ENERGY HEEL DETAIL: CZ 4 & 5

SCALE: 1" = 1'-0" ON 22x34, 1/2" = 1'-0" ON 11x17



BUILDING SECTION 1 - ELEVATION 'A' & 'B' (SLAB)

SCALE: 1/4" = 1'-0" ON 22x34, 1/8" = 1'-0" ON 11x17

| ELECTRICAL SYMBOL KEY | |
|-----------------------|---|
| LIGHT FIXTURES | |
| | CEILING SURFACE MOUNT LIGHT |
| | RECESSED CAN LIGHT |
| | LED PUCK LIGHT |
| | RECESSED CAN LIGHT WATERPROOF |
| | RECESSED CAN - EYEBALL |
| | PENDANT LIGHTING |
| | WALL SCONCE |
| | WALL MOUNT LIGHT |
| | FLOOD LIGHT |
| OUTLETS | |
| | DUPLEX OUTLET |
| | GFI OUTLET |
| | WATERPROOF GFI OUTLET |
| | SWITCHED 1/2 HOT DUPLEX OUTLET |
| | 220V OUTLET |
| | TELEPHONE OUTLET |
| | CATV (TELEVISION) OUTLET |
| | UNDER-COUNTER OR CONCEALED OUTLETS |
| | CEILING MOUNTED DUP. OUTLET |
| | FLOOR MOUNTED DUP. OUTLET |
| SWITCHES | |
| | SINGLE POLE SWITCH |
| | THREE-WAY SWITCH |
| | FOUR-WAY SWITCH |
| | ELECTRICAL DISCONNECT |
| MISC FIXTURES | |
| | EXHAUST FAN |
| | JUNCTION BOX |
| | JUNCTION BOX 220V |
| | CARBON MONOXIDE DETECTOR OR SMOKE DETECTOR |
| | CARBON MONOXIDE DETECTOR AND SMOKE DETECTOR |
| | ELECTRIC METER |
| | ELECTRICAL PANEL |
| | DOOR BELL CHIME |
| | DOOR BELL PUSH BUTTON |
| | CEILING FAN PREWIRE |
| | FLUORESCENT LIGHT |

General Power and Lighting:

General Power and Lighting Notes shall apply unless noted otherwise on plans.

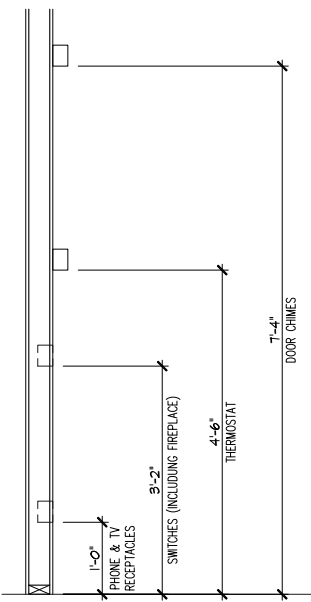
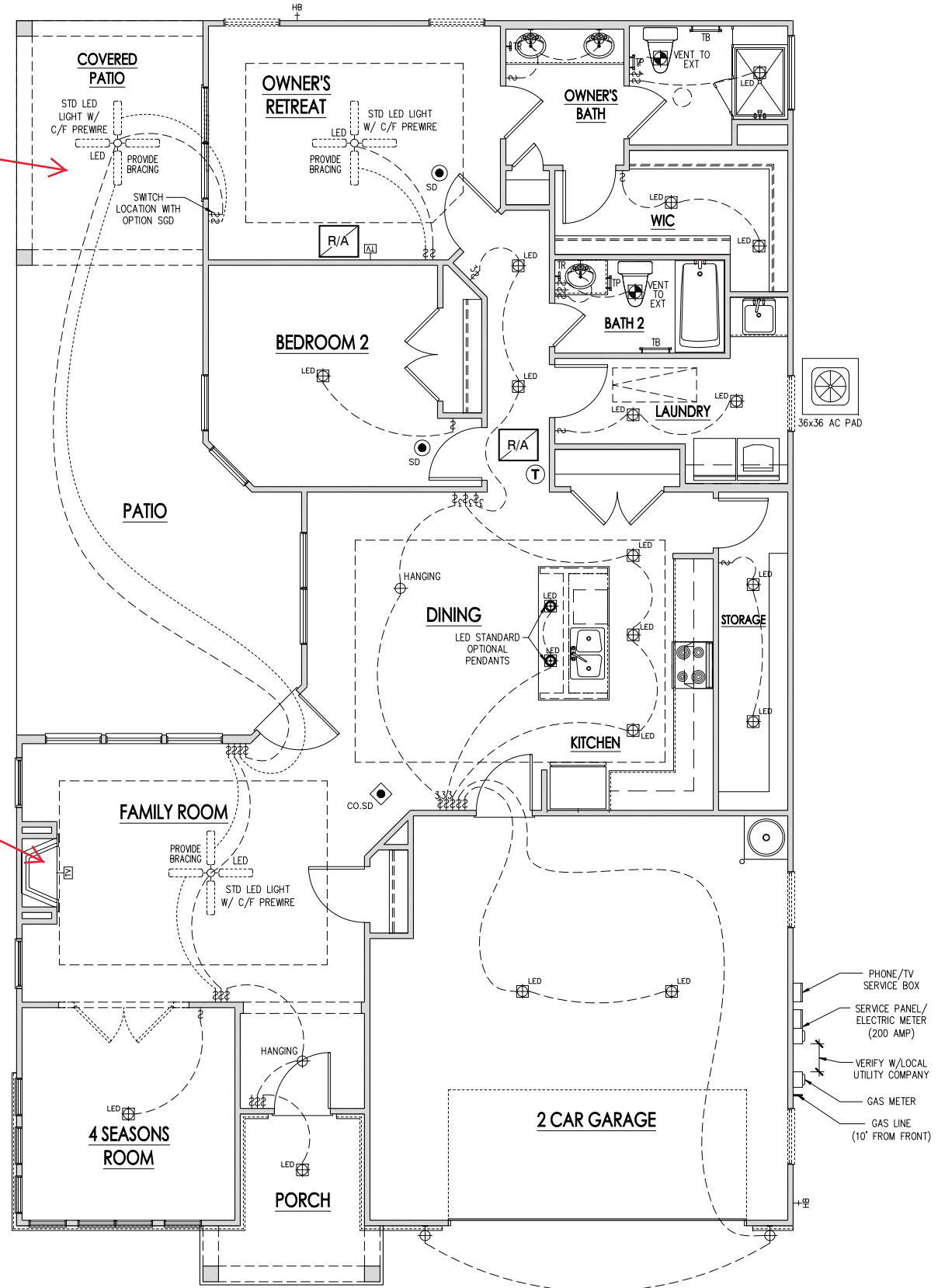
All work shall be installed per the current NC Residential Building Code, and the National Electric Code. Alarm devices shall meet NFPA 72.

- Smoke Alarms - Shall be provided as a minimum of (1) per floor, including basements (if applicable), (1) in each sleep room, and (1) outside each sleeping area, within the immediate vicinity of sleeping rooms. When more than one alarm is required, the alarm devices shall be interconnected in such a manner that the activation of one alarm will activate all of the alarms. Smoke alarms shall be hard wired to permanent power and shall have batter back-ups.
- Switches - For lighting, fans, etc. shall be installed at heights illustrated on this page and shall be located a minimum of 4 1/2" from door openings to allow for the proper installation of door casings. Switches, thermostats, security pads, and other similar devices shall be grouped together and installed thoughtfully for convenience of use and to avoid placement within centers of wall areas.

Note:
This plan is a diagram showing approximate locations of convenience outlets based on requirements found in the NC Residential Code and N.E.C. Actual positions may vary from what is shown on plan.

SITTING ROOM
SEE PG. 2.4B

SIMPLIFIRE 36"
ELECTRIC
FIREPLACE



ELECTRICAL BOX HEIGHTS

FIRST FLOOR ELECTRICAL PLAN 'CRAFTSMAN'

SCALE: 1/8"=1'-0" ON 11x17, 1/4"=1'-0" ON 22x34

COPYRIGHT 2020 SOUTH DESIGNS, INC.



SOUTH DESIGNS
P.O. Box 688
Wake Forest, NC 27588
(919) 556-2226
(919) 556-2228
www.southdesigns.com

This plan is the property of South Designs, Inc. and may not be reproduced without the expressed written consent of South Designs, Inc. These drawings are offered to the named client for a conditional one time use. The conditional use is limited to the lot or property as specified herein, and only for said location. South Designs, Inc. assumes no liability for any home constructed from these plans. Contractor or Builder shall verify all dimensions and conditions prior to construction. Caution must be exercised when making changes to these drawings. If changes are made to these drawings, contact South Designs, Inc.

CLIENT:
 McKee Homes, Inc.

EPCON Communities

DRAWN BY:

ORIGINAL RELEASE DATE:

CURRENT RELEASE DATE:

| REV # | DATE / DESCRIPTION |
|-------|--------------------|
| | |
| | |
| | |

NOTE: SCALES NOTED ON DRAWINGS RELATE TO FULL SIZE 34x22 SHEETS - 11x17 SHEETS ARE 1/2 SCALE PLOTS

Palazzo 2020 RH

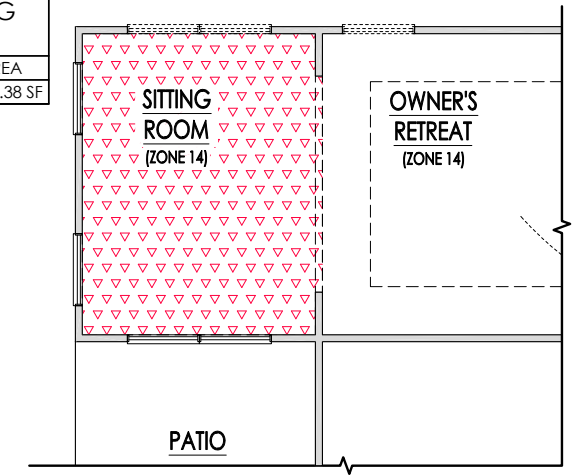
First Floor Electrical 'Craftsman'

SHEET

5.1b

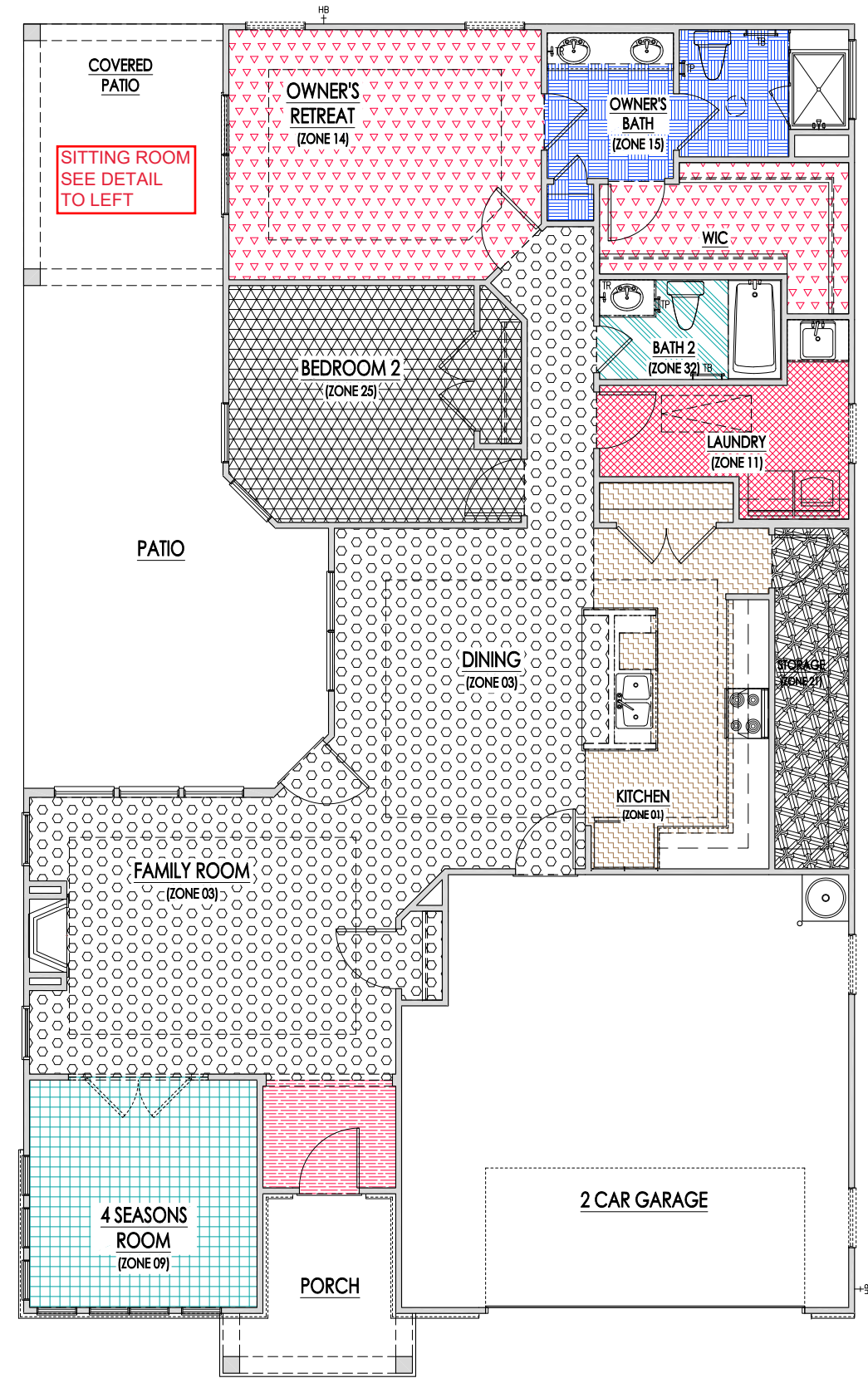
- | | | | | | |
|--|-------------------------|---------|--|------------------------|---------|
| | FOYER | ZONE 00 | | BATHROOM 2 | ZONE 32 |
| | KITCHEN / BUTLER PANTRY | ZONE 01 | | BATHROOM 3 | ZONE 33 |
| | POWDER ROOM | ZONE 02 | | BATHROOM 4 | ZONE 34 |
| | FAMILY ROOM | ZONE 03 | | BATHROOM 5 | ZONE 35 |
| | DINING | ZONE 04 | | JACK & JILL BATH | ZONE 36 |
| | CAFE / BREAKFAST | ZONE 05 | | FINISHED BASEMENT | ZONE 37 |
| | MORNING ROOM | ZONE 06 | | BASEMENT EXT @ SUNROOM | ZONE 38 |
| | INFORMAL DINING | ZONE 07 | | EXERCISE ROOM | ZONE 39 |
| | LIVING ROOM | ZONE 08 | | | |
| | FLEX | ZONE 09 | | | |
| | OFFICE | ZONE 10 | | | |
| | LAUNDRY | ZONE 11 | | | |
| | ENTRY | ZONE 12 | | | |
| | SUNROOM | ZONE 13 | | | |
| | MASTER BEDROOM | ZONE 14 | | | |
| | MASTER BATH | ZONE 15 | | | |
| | SITTING ROOM | ZONE 16 | | | |
| | MASTER BR WIC | ZONE 17 | | | |
| | LOFT | ZONE 18 | | | |
| | HALL | ZONE 19 | | | |
| | STAIRS | ZONE 20 | | | |
| | STORAGE | ZONE 21 | | | |
| | BONUS ROOM | ZONE 22 | | | |
| | GAME ROOM | ZONE 23 | | | |
| | MEDIA ROOM | ZONE 24 | | | |
| | BEDROOM 2 | ZONE 25 | | | |
| | BEDROOM 3 | ZONE 26 | | | |
| | BEDROOM 4 | ZONE 27 | | | |
| | BEDROOM 5 | ZONE 28 | | | |
| | BEDROOM 6 | ZONE 29 | | | |
| | GUEST SUITE | ZONE 30 | | | |
| | GUEST BATH | ZONE 31 | | | |

| FLOORING AREAS | |
|----------------|-----------|
| ZONE | AREA |
| ZONE 14 | 124.38 SF |



OPT. SITTING ROOM FLOORING PLAN
SCALE: 1/8"=1'-0" ON 11x17, 1/4"=1'-0" ON 22x34

| FLOORING AREAS | |
|----------------|-----------|
| ZONE | AREA |
| ZONE 00 | 36.82 SF |
| ZONE 01 | 118.49 SF |
| ZONE 03 | 534.80 SF |
| ZONE 09 | 131.36 SF |
| ZONE 11 | 73.25 SF |
| ZONE 14 | 72.04 SF |
| ZONE 14 | 193.40 SF |
| ZONE 15 | 77.92 SF |
| ZONE 21 | 63.74 SF |
| ZONE 25 | 168.35 SF |
| ZONE 32 | 27.70 SF |



FIRST FLOOR FLOORING PLAN 'CRAFTSMAN'
SCALE: 1/8"=1'-0" ON 11x17, 1/4"=1'-0" ON 22x34

COPYRIGHT 2020 SOUTH DESIGNS, INC.

SOUTH DESIGNS
P.O. Box 688
Wake Forest, NC 27588
(O) 919-556-2226
(F) 919-556-2228
www.southdesigns.com

This plan is the property of South Designs, Inc. and may not be reproduced without the expressed written consent of South Designs, Inc. These drawings are offered to the named client for a conditional one time use. The conditional use is limited to the lot or property as specified herein, and only for said location. South Designs, Inc. assumes no liability for any home constructed from these plans. Contractor or Builder shall verify all dimensions and conditions prior to construction. Caution must be exercised when making changes to these drawings. If changes are made to these drawings, contact South Designs, Inc.

CLIENT:

McKee Homes, Inc.

EPCON Communities

DRAWN BY:

ORIGINAL RELEASE DATE:

CURRENT RELEASE DATE:

| REV # | DATE / DESCRIPTION |
|-------|--------------------|
| | |
| | |
| | |

NOTE: SCALES NOTED ON DRAWINGS RELATE TO FULL SIZE 34x22 SHEETS - 11x17 SHEETS ARE 1/2 SCALE PLOTS

Palazzo 2020 RH

First Floor Flooring Plan 'Craftsman'

SHEET

8.1b

NOTE: ALL CHAPTERS, SECTIONS, TABLES, AND FIGURES CITED WITHOUT A PUBLICATION TITLE ARE FROM THE APPLICABLE RESIDENTIAL CODE (SEE TITLE SHEET).

GENERAL

- IT IS THE CONTRACTOR'S RESPONSIBILITY TO VERIFY ALL DIMENSIONS PRIOR TO CONSTRUCTION. FURTHERMORE, CONTRACTOR IS ULTIMATELY RESPONSIBLE FOR CONSTRUCTION MEANS, METHODS, AND SAFETY ON SITE. NOTIFY JDSfaulkner, PLLC IMMEDIATELY IF DISCREPANCIES ON PLAN EXIST.
- BRACED-WALL DESIGN IS BASED ON SECTION R602.10 - WALL BRACING. PRIMARY PRESCRIPTIVE METHOD TO BE CS-WSP. SEE WALL BRACING PLANS AND DETAILS FOR ADDITIONAL INFORMATION.

ALL NON-PRESCRIPTIVE SOLUTIONS ARE BASED ON GUIDELINES ESTABLISHED IN THE AMERICAN SOCIETY OF CIVIL ENGINEERS PUBLICATION ASCE 7 AND THE NATIONAL DESIGN SPECIFICATION FOR WOOD CONSTRUCTION - SPECIAL DESIGN PROVISIONS FOR WIND AND SEISMIC.

- SEISMIC DESIGN SHALL BE PER SECTION R301.2.2 - SEISMIC PROVISIONS, INCLUDING ASSOCIATED TABLES AND FIGURES, BASED ON LOCAL SEISMIC DESIGN CATEGORY.

DESIGN LOADS

| | |
|--------------------------------------|----------------------------|
| ASSUMED SOIL BEARING-CAPACITY | 2,000 PSF |
| LIVE LOAD | |
| ULTIMATE DESIGN WIND SPEED | 115 MPH, EXPOSURE B |
| GROUND SNOW | 15 PSF |
| ROOF | 20 PSF |
| RESIDENTIAL CODE TABLE R301.5 | LIVE LOAD (PSF) |
| DWELLING UNITS | 40 |
| SLEEPING ROOMS | 30 |
| ATTICS WITH STORAGE | 20 |
| ATTICS WITHOUT STORAGE | 10 |
| STAIRS | 40 |
| DECKS | 40 |
| EXTERIOR BALCONIES | 60 |
| PASSENGER VEHICLE GARAGES | 50 |
| FIRE ESCAPES | 40 |
| GUARDS AND HANDRAILS | 200 (pounds, concentrated) |

COMPONENT AND CLADDING LOADS, INCLUDING THOSE FOR DOORS AND WINDOWS, SHALL BE DERIVED FROM TABLES R301.2(2) AND R301.2(3) FOR A BUILDING WITH A MEAN ROOF HEIGHT OF 35 FEET, LOCATED IN EXPOSURE B.

ABBREVIATIONS

| | | | |
|------|-----------------------|--------|-------------------------|
| ABV | ABOVE | KS | KING STUD COLUMN |
| AFF | ABOVE FINISHED FLOOR | LVL | LAMINATED VENEER LUMBER |
| ALT | ALTERNATE | MAX | MAXIMUM |
| BRG | BEARING | MECH | MECHANICAL |
| BSMT | BASEMENT | MFR | MANUFACTURER |
| CANT | CANTILEVER | MIN | MINIMUM |
| CJ | CEILING JOIST | NTS | NOT TO SCALE |
| CLG | CEILING | OA | OVERALL |
| CMU | CONCRETE MASONRY UNIT | OC | ON CENTER |
| CO | CASED OPENING | PT | PRESSURE TREATED |
| COL | COLUMN | R | RISER |
| CONC | CONCRETE | REF | REFRIGERATOR |
| CONT | CONTINUOUS | RFG | ROOFING |
| D | CLOTHES DRYER | RO | ROUGH OPENING |
| DBL | DOUBLE | RS | ROOF SUPPORT |
| DIAM | DIAMETER | SC | STUD COLUMN |
| DJ | DOUBLE JOIST | SF | SQUARE FOOT (FEET) |
| DN | DOWN | SH | SHELF / SHELVES |
| DP | DEEP | SHTG | SHEATHING |
| DR | DOUBLE RAFTER | SHW | SHOWER |
| DSP | DOUBLE STUD POCKET | SIM | SIMILAR |
| EA | EACH | SJ | SINGLE JOIST |
| EE | EACH END | SP | STUD POCKET |
| EQ | EQUAL | SPEC'D | SPECIFIED |
| EX | EXTERIOR | SQ | SQUARE |
| FAU | FORCED-AIR UNIT | T | TREAD |
| FDN | FOUNDATION | TEMP | TEMPERED GLASS |
| FF | FINISHED FLOOR | THK | THICK(NESS) |
| FLR | FLOOR(ING) | TJ | TRIPLE JOIST |
| FP | FIREPLACE | TOC | TOP OF CURB / CONCRETE |
| FTG | FOOTING | TR | TRIPLE RAFTER |
| HB | HOSE BIBB | TYP | TYPICAL |
| HDR | HEADER | UNO | UNLESS NOTED OTHERWISE |
| HGR | HANGER | W | CLOTHES WASHER |
| JS | JACK STUD COLUMN | WH | WATER HEATER |
| | | WWF | WELDED WIRE FABRIC |
| | | XJ | EXTRA JOIST |

MATERIALS

- INTERIOR / TRIMMED FRAMING LUMBER SHALL BE #2 SPRUCE PINE FIR (SPF) WITH THE FOLLOWING DESIGN PROPERTIES (#2 SOUTHERN YELLOW PINE MAY BE SUBSTITUTED):
Fb = 875 PSI Fv = 70 PSI E = 1.4E6 PSI
- FRAMING LUMBER EXPOSED TO WEATHER OR IN CONTACT WITH THE GROUND, CONCRETE, OR MASONRY SHALL BE PRESSURE TREATED #2 SOUTHERN YELLOW PINE (SYP) WITH THE FOLLOWING DESIGN PROPERTIES:
Fb = 975 PSI Fv = 95 PSI E = 1.6E6 PSI
- LVL STRUCTURAL MEMBERS TO BE LAMINATED VENEER LUMBER WITH THE FOLLOWING MINIMUM DESIGN PROPERTIES:
Fb = 2600 PSI Fv = 285 PSI E = 1.9E6 PSI
- PSL STRUCTURAL MEMBERS TO BE PARALLEL STRAND LUMBER WITH THE FOLLOWING MINIMUM DESIGN PROPERTIES:
Fb = 2900 PSI Fv = 290 PSI E = 2.0E6 PSI
- LSL STRUCTURAL MEMBERS TO BE LAMINATED STRAND LUMBER WITH THE FOLLOWING MINIMUM DESIGN PROPERTIES:
Fb = 2250 PSI Fv = 400 PSI E = 1.55E6 PSI
- STRUCTURAL STEEL WIDE-FLANGE BEAMS SHALL CONFORM TO ASTM A992. Fy = 50 KSI
- REBAR SHALL BE DEFORMED STEEL CONFORMING TO ASTM A615, GRADE 60.
- POURED CONCRETE COMPRESSIVE STRENGTH TO BE A MINIMUM 3,000 PSI AT 28 DAYS. MATERIALS USED TO PRODUCE CONCRETE SHALL COMPLY WITH THE APPLICABLE STANDARDS LISTED IN AMERICAN CONCRETE INSTITUTE STANDARD ACI 318 OR ASTM C1157.
- CONCRETE SUBJECT TO MODERATE OR SEVERE WEATHERING PROBABILITY PER TABLE R301.2(1) SHALL BE AIR-ENTRAINED WHEN REQUIRED BY TABLE R402.2.
- CONCRETE MASONRY UNITS (CMU) SHALL CONFORM TO AMERICAN CONCRETE INSTITUTE PUBLICATION 530: BUILDING CODE REQUIREMENTS AND SPECIFICATIONS FOR MASONRY STRUCTURES AND COMPANION COMMENTARIES AND THE MASONRY SOCIETY PUBLICATION TMS 402/602: BUILDING CODE REQUIREMENTS AND SPECIFICATIONS FOR MASONRY STRUCTURES.
- MORTAR SHALL COMPLY WITH ASTM INTERNATIONAL STANDARD C270.
- INDICATED MODEL NUMBERS FOR ALL METAL HANGERS, STRAPS, FRAMING CONNECTORS, AND HOLD-DOWNS ARE SIMPSON STRONG-TIE BRAND. EQUIVALENT USP BRAND PRODUCTS ARE ACCEPTABLE.
- REFER TO I-JOIST EQUIVALENCE CHART ON I-JOIST DETAIL SHEET FOR SUBSTITUTION OF MANUFACTURER SERIES.

FOUNDATION

- MINIMUM ALLOWABLE SOIL BEARING CAPACITY IS ASSUMED TO BE 2,000 PSF. IT IS THE CONTRACTOR'S RESPONSIBILITY TO VERIFY SOIL BEARING CAPACITY IF UNSATISFACTORY CONDITIONS EXIST.
- CONCRETE FOUNDATION WALLS TO BE SELECTED AND CONSTRUCTED PER SECTION R404 OR AMERICAN CONCRETE INSTITUTE STANDARD ACI 318.
- MASONRY FOUNDATION WALLS TO BE SELECTED AND CONSTRUCTED PER SECTION R404 AND/OR AMERICAN CONCRETE INSTITUTE PUBLICATION 530: BUILDING CODE REQUIREMENTS AND SPECIFICATIONS FOR MASONRY STRUCTURES AND COMPANION COMMENTARIES AND/OR THE MASONRY SOCIETY PUBLICATION TMS 402/602: BUILDING CODE REQUIREMENTS AND SPECIFICATIONS FOR MASONRY STRUCTURES.
- CONCRETE WALL HORIZONTAL REINFORCEMENT TO BE PER TABLE R404.1.2(1) OR AS NOTED OR DETAILED. CONCRETE WALL VERTICAL REINFORCEMENT TO BE PER TABLES R404.1.2(3 AND 4) OR AS NOTED OR DETAILED. ALL CONCRETE WALLS SHALL COMPLY WITH APPLICABLE PROVISIONS OF CHAPTER 6.
 - TABLES ASSUME THAT WALLS HAVE PERMANENT LATERAL SUPPORT AT THE TOP AND BOTTOM.
 - FOUNDATION DRAINS ARE ASSUMED AT ALL WALLS PER SECTION R405.
- PLAIN-MASONRY WALL DESIGN TO BE PER TABLE R404.1.1(1) OR AS NOTED OR DETAILED. MASONRY WALLS WITH VERTICAL REINFORCEMENT TO BE PER TABLES R404.1.1 (2 THROUGH 4) OR AS NOTED OR DETAILED. ALL MASONRY WALLS SHALL COMPLY WITH APPLICABLE PROVISIONS OF CHAPTER 6.
 - TABLES ASSUME THAT WALLS HAVE PERMANENT LATERAL SUPPORT AT THE TOP AND BOTTOM.
 - WALL REINFORCING SHALL BE PLACED ACCORDING TO FOOTNOTE (c) OF THE TABLES (REINFORCING IS NOT CENTERED IN WALL).
 - FOUNDATION DRAINS ARE ASSUMED AT ALL WALLS PER SECTION R405.
- WOOD SILL PLATES TO BE ANCHORED TO THE FOUNDATION WITH 1/2" DIAMETER ANCHOR BOLTS WITH MINIMUM 7" EMBEDMENT, SPACED A MAXIMUM OF 6'-0" OC AND WITHIN 12" FROM THE ENDS OF EACH PLATE SECTION. INSTALL MINIMUM (2) ANCHOR BOLTS PER SECTION. SEE SECTION R403.1.6 FOR SPECIFIC CONDITIONS.
- THE UNSUPPORTED HEIGHT OF SOLID MASONRY PIERS SHALL NOT EXCEED TEN TIMES THEIR LEAST DIMENSION. UNFILLED, HOLLOW PIERS MAY BE USED IF THE UNSUPPORTED HEIGHT IS NOT MORE THAN FOUR TIMES THEIR LEAST DIMENSION.
- CENTERS OF PIERS TO BEAR IN THE MIDDLE THIRD OF THE FOOTINGS, AND GIRDEES SHALL CENTER IN THE MIDDLE THIRD OF THE PIERS.
- ALL FOOTINGS TO HAVE MINIMUM 2" PROJECTION ON EACH SIDE OF FOUNDATION WALLS (SEE DETAILS).
- ALL REBAR NOTED IN CONCRETE TO HAVE AT LEAST 2" COVER FROM EDGE OF CONCRETE TO EDGE OF REBAR.
- FRAMING TO BE FLUSH WITH FOUNDATION WALLS.
- WITH CLASS 1 SOILS, VAPOR BARRIER AND CRUSHED STONE MAY BE OMITTED.

FRAMING

- ALL BEARING HEADERS TO BE (2) 2x6 SUPPORTED W/ MIN (1) JACK STUD AND (1) KING STUD EACH END, UNO.
- ALL NON-BEARING HEADERS TO BE (2) 2x4, UNO.
- NON-BEARING INTERIOR WALLS NOT MORE THAN 10' NOMINAL HEIGHT AND NOT SHOWN AS BRACED WALLS MAY BE FRAMED WITH 2x4 STUDS @ 24" OC.
- SOLID BLOCKING TO BE PROVIDED AT ALL POINT LOADS THROUGH FLOOR LEVELS TO THE FOUNDATION OR TO OTHER STRUCTURAL COMPONENTS.
- ALL BEAMS SPECIFIED ARE MINIMUM SIZES ONLY. LARGER MEMBERS MAY SUBSTITUTED AS NEEDED FOR EASE OF CONSTRUCTION.
- ALL EXTERIOR WALLS TO BE FULLY SHEATHED WITH 7/16" OSB.
- PORCH / PATIO COLUMNS TO BE 4x4 MINIMUM PRESSURE-TREATED LUMBER.
 - ATTACH PORCH COLUMNS TO SLAB / FDN WALL USING ABA, ABU, ABW, OR CPT SIMPSON POST BASES TO FIT COLUMN SIZES NOTED ON PLAN -OR- ANY OTHER COLUMN CONNECTION WITH 500# UPLIFT CAPACITY.
 - ATTACH PORCH COLUMNS TO PORCH BEAMS USING AC OR BC SIMPSON POST CAPS TO FIT COLUMN SIZES NOTED ON PLAN -OR- ANY OTHER COLUMN CONNECTION WITH 500# UPLIFT CAPACITY.
 - TRIM OUT COLUMN(S) AND BEAM(S) PER BUILDER AND DETAILS.
- ALL ENGINEERED WOOD PRODUCTS (LVL, PSL, LSL, ETC.) SHALL BE INSTALLED WITH CONNECTIONS PER MANUFACTURER SPECIFICATIONS.
- ENGINEERED WOOD FLOOR SYSTEMS AND ROOF TRUSS SYSTEMS:
 - SHOP DRAWINGS FOR THE SYSTEMS SHALL BE PROVIDED TO THE ENGINEER OF RECORD FOR REVIEW AND COORDINATION BEFORE CONSTRUCTION.
 - TRUSS PROFILES SHALL BE SEALED BY THE TRUSS MANUFACTURER.
 - INSTALLATION OF THE SYSTEMS SHALL BE PER MANUFACTURER'S INSTRUCTIONS.
 - TRUSS LAYOUT AND PLACEMENT BY MANUFACTURER TO COINCIDE WITH THE SUPPORT LOCATIONS SHOWN IN THESE DRAWINGS.
- ALL BEAMS TO BE CONTINUOUSLY SUPPORTED Laterally AND SHALL BEAR FULL WIDTH ON THE SUPPORTING WALLS OR COLUMNS INDICATED, WITH A MINIMUM OF THREE STUDS, UNO.
- ALL STEEL BEAMS TO BE SUPPORTED AT EACH END WITH A MIN BEARING LENGTH OF 3 1/2" AND FULL FLANGE WIDTH. BEAMS MUST BE ATTACHED AT EACH END WITH A MINIMUM OF FOUR 16d NAILS OR TWO 1/2" x 4" LAG SCREWS, UNO.
- STEEL FLITCH BEAMS TO BE BOLTED TOGETHER USING (2) ROWS OF 1/2" DIAMETER BOLTS (ASTM 307) WITH WASHERS PLACED UNDER THE THREADED END OF THE BOLT. BOLTS TO BE SPACED AT 24" OC (MAX) AND STAGGERED TOP AND BOTTOM OF BEAM (2" EDGE DISTANCE), WITH TWO BOLTS TO BE LOCATED AT 6" FROM EACH END OF FLITCH BEAM.
- WHEN A 4-PLY LVL BEAM IS USED, ATTACH WITH (1) 1/2" DIAMETER BOLT, 12" OC, STAGGERED TOP AND BOTTOM, 1 1/2" MIN FROM ENDS. ALTERNATE EQUIVALENT ATTACHMENT METHOD MAY BE USED, SUCH AS SDS, SDW, OR TRUSSLOK SCREWS (SEE MANUFACTURER SPECIFICATIONS).
- FOR STUD COLUMNS OF 4-OR-MORE STUDS, INSTALL SIMPSON STRONG-TIE CS16 STRAPS ACROSS STUDS @ 30" OC, 6" MAX FROM PLATES, ON INSIDE FACE OF COLUMN (EXTERIOR WALL), ON BOTH FACES OF COLUMN (INTERIOR WALL).
- FLOOR JOISTS ADJACENT AND PARALLEL TO THE EXTERIOR FOUNDATION WALL SHALL BE PROVIDED WITH FULL-DEPTH SOLID BLOCKING, NOT LESS THAN TWO (2) INCHES NOMINAL IN THICKNESS, PLACED PERPENDICULAR TO THE JOIST AT SPACING NOT MORE THAN FOUR (4) FEET. THE BLOCKING SHALL BE NAILED TO THE FLOOR SHEATHING, THE SILL PLATE, THE JOIST, AND THE EXTERIOR RIM JOIST / BOARD.
- BRACED WALL PANELS SHALL BE FASTENED TO MEET THE UPLIFT-RESISTANCE REQUIREMENTS IN CHAPTERS 6 AND 8 OF THE APPLICABLE CODE (SEE TITLE SHEET). REQUIREMENTS OF THE STRUCTURAL DRAWINGS THAT EXCEED THE CODE MINIMUM SHALL BE MET.



P-0961

JDSfaulkner
engineering + design + consulting
JDSfaulkner PLLC, 8600 TD JERSEY CT, RALEIGH, NC 27617 919-480-1075
INFO@JDSfaulkner.COM WWW.JDSfaulkner.COM

JDSfaulkner PLLC IS NOT LIABLE FOR CHANGES MADE TO PLANS DUE TO CONSTRUCTION METHODS OR ANY CHANGES TO PLANS MADE IN THE FIELD BY CONTRACTOR OR BY OTHERS. DRAWINGS ARE PROVIDED TO CLIENT FOR THE LOT NUMBER, PROPERTY, OR AS A MASTER PLAN AS SPECIFIED ON TITLE SHEET. DIMENSIONS SHALL GOVERN OVER SCALE, AND CODE SHALL GOVERN OVER DIMENSIONS ON DRAWINGS.

CLIENT: **MCKEE HOMES**

PROJECT: **PALAZZO 2020 - RIGHT HAND**

LOCATION: **NORTH CAROLINA**

SCALE: 1/8" = 1'-0" FOR 11x17 PAPER, 1/4" = 1'-0" FOR 22x34 PAPER, OR AS NOTED

PROJECT NO.: **20902056**

DATE: **11/11/2020** DRAWN BY: **AWC**

GENERAL NOTES

GN1.0

| FASTENER SCHEDULE | | |
|--|--|--|
| CONNECTION | 3" x 0.131" NAIL | 3" x 0.120" NAIL |
| JOIST TO SILL PLATE | (4) TOE NAILS | (4) TOE NAILS |
| SOLE PLATE TO JOIST / BLOCKING | NAILS @ 8" OC (typical) (4) PER 16" SPACE (at braced panels) | NAILS @ 8" OC (typical) (4) PER 16" SPACE (at braced panels) |
| STUD TO SOLE PLATE | (4) TOE NAILS | (4) TOE NAILS |
| TOP OR SOLE PLATE TO STUD | (3) FACE NAILS | (4) FACE NAILS |
| RIM JOIST OR BAND JOIST TO TOP PLATE OR SILL PLATE | TOE NAILS @ 6" OC | TOE NAILS @ 4" OC |
| BLOCKING BETWEEN JOISTS TO TOP PLATE OR SILL PLATE | (4) TOE NAILS | (4) TOE NAILS |
| DOUBLE STUD | NAILS @ 8" OC | NAILS @ 8" OC |
| DOUBLE TOP PLATES | NAILS @ 12" OC | NAILS @ 12" OC |
| DOUBLE TOP PLATES LAP (24" MIN LAP LENGTH) | (12) NAILS IN LAPPED AREA, EA SIDE OF JOINT | (12) NAILS IN LAPPED AREA, EA SIDE OF JOINT |
| TOP PLATE LAP AT CORNERS AND INTERSECTING WALLS | (3) FACE NAILS | (3) FACE NAILS |
| OPEN-WEB TRUSS BOTTOM CHORD TO TOP PLATES OR SILL PLATE (PARALLEL TO WALL) | NAILS @ 6" OC | NAILS @ 4" OC |
| BOTTOM CHORD OF TRUSS TO TOP PLATES OR SILL PLATE (PERPENDICULAR TO WALL) | (3) TOE NAILS | (3) TOE NAILS |

SEE TABLE R602.3(1) FOR ADDITIONAL STRUCTURAL-MEMBER FASTENING REQUIREMENTS.

DETAILS AND NOTES ON DRAWINGS GOVERN.


BALLOON WALL FRAMING SCHEDULE
(USE THESE STANDARDS UNLESS NOTED OTHERWISE ON THE FRAMING PLAN SHEETS)

| FRAMING MEMBER SIZE | MAX HEIGHT (PLATE TO PLATE) 115 MPH ULTIMATE DESIGN WIND SPEED |
|---------------------|---|
| 2x4 @ 16" OC | 10'-0" |
| 2x4 @ 12" OC | 12'-0" |
| 2x6 @ 16" OC | 15'-0" |
| 2x6 @ 12" OC | 17'-9" |
| 2x8 @ 16" OC | 19'-0" |
| 2x8 @ 12" OC | 22'-0" |
| (2) 2x4 @ 16" OC | 14'-6" |
| (2) 2x4 @ 12" OC | 17'-0" |
| (2) 2x6 @ 16" OC | 21'-6" |
| (2) 2x6 @ 12" OC | 25'-0" |
| (2) 2x8 @ 16" OC | 27'-0" |
| (2) 2x8 @ 12" OC | 31'-0" |


- ALL HEIGHTS ARE MEASURED SUBFLOOR TO TOP OF WALL PLATE.
- WHEN SPLIT-FRAMED WALLS ARE USED FOR HEIGHTS OVER 12', THE CONTRACTOR SHALL ADD 6' MINIMUM OF CS16 COIL STRAPPING (FULLY NAILED), CENTERED OVER THE WALL BREAK.
- FINGER-JOINTED MEMBERS MAY BE USED FOR CONTINUOUS HEIGHTS WHERE TRADITIONALLY MILLED LUMBER LENGTHS ARE LIMITED.
- FOR GREATER WIND SPEED, SEE ENGINEERED SOLUTION FOR CONDITION IN DRAWINGS.

ROOF SYSTEMS

TRUSSED ROOF - STRUCTURAL NOTES

- PROVIDE CONTINUOUS BLOCKING THROUGH STRUCTURE FOR ALL POINT LOADS.
-  DENOTES OVER-FRAMED AREA
- MINIMUM 7/16" OSB ROOF SHEATHING
- TRUSS LAYOUT AND PLACEMENT BY MANUFACTURER TO COINCIDE WITH THE SUPPORT LOCATIONS SHOWN. TRUSS PROFILES SHALL BE SEALED BY THE TRUSS MANUFACTURER. TRUSS PLANS TO BE COORDINATED WITH THE SEALED STRUCTURAL DRAWINGS. INSTALLATION SHALL BE IN ACCORDANCE WITH THE MANUFACTURER'S INSTRUCTIONS.
- MANUFACTURER TO PROVIDE REQUIRED UPLIFT CONNECTION.
- PROVIDE H2.5A (MINIMUM) OR EQUIVALENT AT EACH TRUSS-TO-TOP PLATE CONNECTION AT OVER-FRAMED AREAS, UNLESS NOTED OTHERWISE.
- UPLIFT CONNECTION TO BE CARRIED THROUGH TO FLOOR SYSTEM.

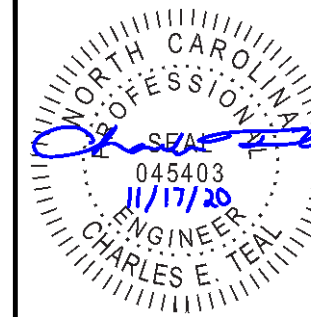
STICK-FRAMED ROOF - STRUCTURAL NOTES

- PROVIDE 2x4 COLLAR TIES AT 48" OC AT UPPER THIRD OF RAFTERS, UNLESS NOTED OTHERWISE.
- FUR RIDGES FOR FULL RAFTER CONTACT.
- PROVIDE CONTINUOUS BLOCKING THROUGH STRUCTURE FOR ALL POINT LOADS.
-  DENOTES OVER-FRAMED AREA
- MINIMUM 7/16" OSB ROOF SHEATHING
- PROVIDE 2x4 RAFTER TIES AT 16" OC AT 45° BETWEEN RAFTERS AND CEILING JOISTS. USE (4) 16d NAILS AT EACH CONNECTION. RAFTER TIES MAY BE SPACED AT 48" OC AT LOCATIONS WHERE NO KNEE WALLS ARE INSTALLED.
- PROVIDE H2.5A (MINIMUM) OR EQUIVALENT AT EACH RAFTER-TO-TOP PLATE CONNECTION AT OVER-FRAMED AREAS, UNLESS NOTED OTHERWISE.
- UPLIFT CONNECTION TO BE CARRIED THROUGH TO FLOOR SYSTEM.

| BRICK VENEER LINTEL SCHEDULE | | |
|------------------------------|---|----------------------|
| SPAN | STEEL ANGLE SIZE | END BEARING LENGTH |
| UP TO 42" | L3-1/2"x3-1/2"x1/4" | 8" (MIN. @ EACH END) |
| UP TO 72" | L6"x4"x5/16" (LLV) | 8" (MIN. @ EACH END) |
| OVER 72" | L6"x4"x5/16" (LLV) ATTACH LINTEL w/ 1/2" THRU BOLT @ 12" OC, 3" FROM EACH END | |

* FOR QUEEN BRICK: LINTELS AT THIS CONDITION MAY BE 5"x3-1/2"x5/16"

NOTE: BRICK LINTELS AT SLOPED AREAS TO BE 4"x3-1/2"x1/4" STEEL ANGLE WITH 16D NAILS IN 3/16" HOLES IN 4" ANGLE LEG AT 12" OC TO TRIPLE RAFTER. WHEN THE SLOPE EXCEEDS 4:12 A MINIMUM OF 3"x3"x1/4" PLATES SHALL BE WELDED AT 24" OC ALONG THE STEEL ANGLE.



P-0961

JDSfaulkner
engineering + design + consulting
JDSfaulkner PLLC, 8600 TD JERSEY CT, RALEIGH, NC 27617 919.480.1075
INFO@JDSfaulkner.COM; WWW.JDSfaulkner.COM

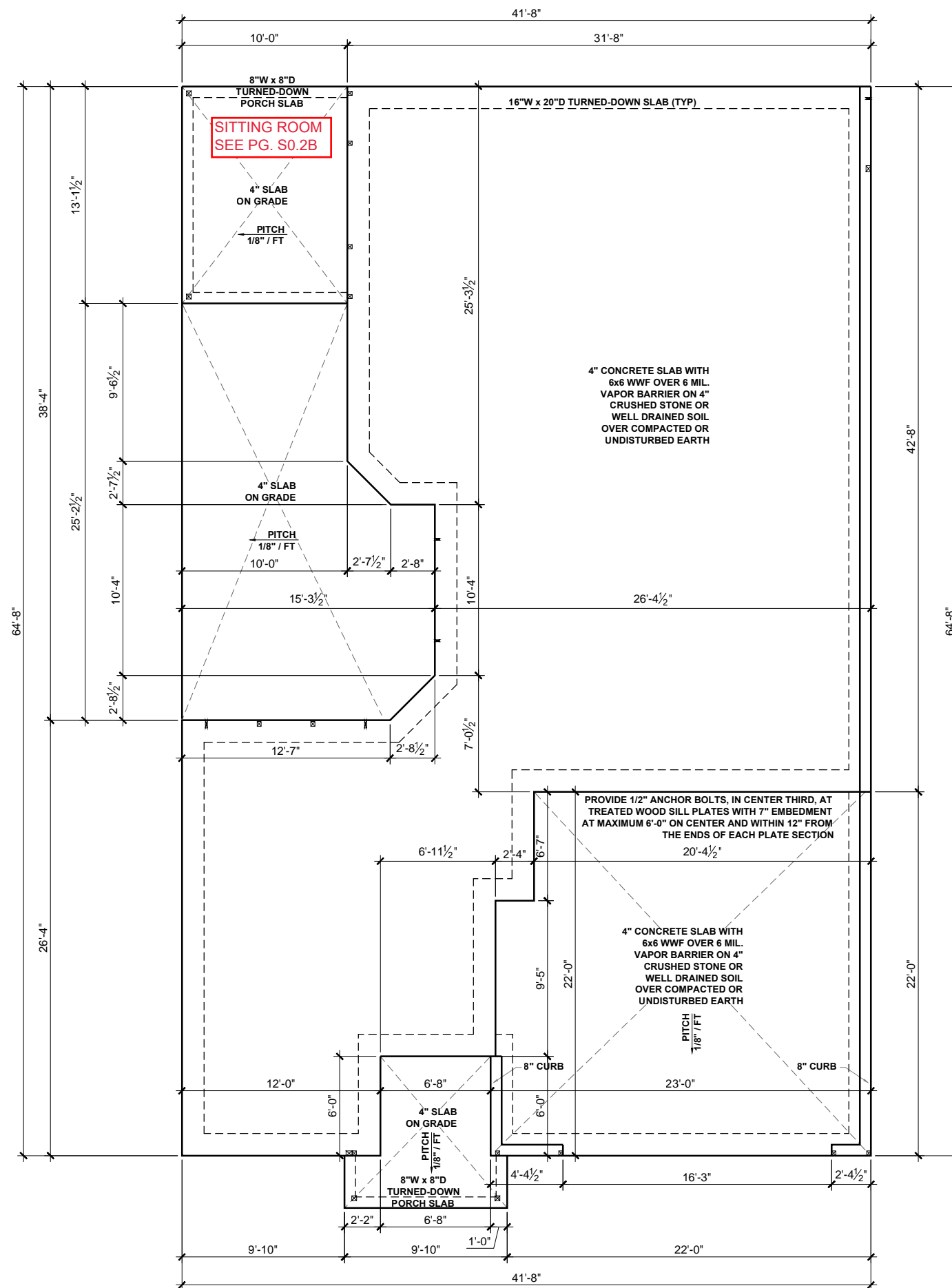
JDSfaulkner PLLC IS NOT LIABLE FOR CHANGES MADE TO PLANS DUE TO CONSTRUCTION METHODS OR ANY CHANGES TO PLANS MADE IN THE FIELD BY CONTRACTOR OR BY OTHERS. DRAWINGS ARE PROVIDED TO CLIENT FOR THE LOT NUMBER, PROPERTY, OR AS A MASTER PLAN AS SPECIFIED ON TITLE SHEET. DIMENSIONS SHALL GOVERN OVER SCALE, AND CODE SHALL GOVERN OVER DIMENSIONS ON DRAWINGS.

CLIENT: **MCKEE HOMES**
PROJECT: **PALAZZO 2020 - RIGHT HAND**
LOCATION: **NORTH CAROLINA**
SCALE: 1/8" = 1'-0" FOR 11x17 PAPER, 1/4" = 1'-0" FOR 22x34 PAPER, OR AS NOTED

PROJECT NO.: **20902056**

DATE: **11/11/2020** DRAWN BY: **AWC**

GENERAL NOTES
GN1.1



SLAB FOUNDATION PLAN - CRAFTSMAN

SCALE: 1/8" = 1'-0"



P-0961



JDSfaulkner PLLC, 8600 TD JERSEY CT, RALEIGH, NC 27617 919.480.1075
INFO@JDSfaulkner.COM; WWW.JDSfaulkner.COM

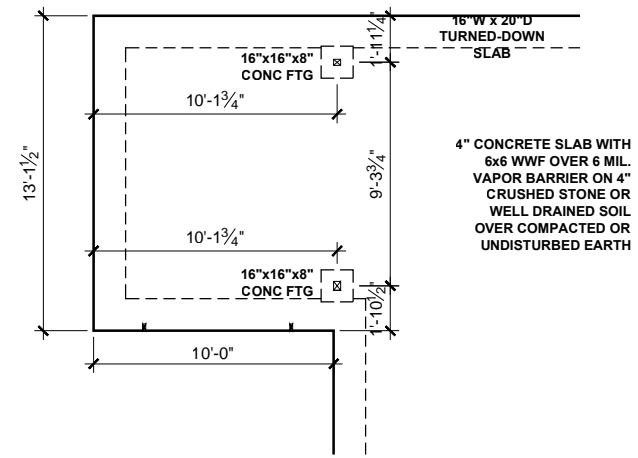
JDSfaulkner PLLC IS NOT LIABLE FOR CHANGES MADE TO PLANS DUE TO CONSTRUCTION METHODS OR ANY CHANGES TO PLANS MADE IN THE FIELD BY CONTRACTOR OR BY OTHERS. DRAWINGS ARE PROVIDED TO CLIENT FOR THE LOT NUMBER, PROPERTY, OR AS A MASTER PLAN AS SPECIFIED ON TITLE SHEET. DIMENSIONS SHALL GOVERN OVER SCALE, AND CODE SHALL GOVERN OVER DIMENSIONS ON DRAWINGS.

| | |
|-----------|---|
| CLIENT: | MCKEE HOMES |
| PROJECT: | PALAZZO 2020 - RIGHT HAND |
| LOCATION: | NORTH CAROLINA |
| SCALE: | 1/8" = 1'-0" FOR 11x17 PAPER, 1/4" = 1'-0" FOR 22x34 PAPER, OR AS NOTED |

PROJECT NO.: **20902056**

DATE: **11/11/2020** DRAWN BY: **AWC**

SLAB FOUNDATION PLAN
S0.1B



OPT SITTING ROOM

BEAM & POINT LOAD LEGEND

- INTERIOR LOAD BEARING WALL
- - - ROOF RAFTER / TRUSS SUPPORT
- · - · - DOUBLE RAFTER / DOUBLE JOIST
- - - STRUCTURAL BEAM / GIRDER
- - - WINDOW / DOOR HEADER
- ⊠ POINT LOAD TRANSFER
- POINT LOAD FROM ABOVE BEARING ON BEAM / GIRDER

FOR WIND ZONES OF 120 MPH AND 130 MPH
 -USE-
 (3) #4 OR (2) #5 REBAR @ 3" ABOVE THE BOTTOM OF THE FTG. THE BARS SHALL BE CONT. OR LAPPED 25" @ ALL SPLICES. (TYP)

FOR WIND ZONES OF 120 MPH or ABOVE
 -USE-
 1/2" ANCHOR BOLT AT 72" O.C. REFER TO R4504.2 FOR ADDITIONAL REQUIREMENTS AND SPACING

SEE FULL PLAN FOR ADDITIONAL INFORMATION

OPTIONAL BATH 2 DOES NOT AFFECT FOUNDATION



P-0961



JDSfaulkner PLLC IS NOT LIABLE FOR CHANGES MADE TO PLANS DUE TO CONSTRUCTION METHODS OR ANY CHANGES TO PLANS MADE IN THE FIELD BY CONTRACTOR OR BY OTHERS. DRAWINGS ARE PROVIDED TO CLIENT FOR THE LOT NUMBER, PROPERTY, OR AS A MASTER PLAN AS SPECIFIED ON TITLE SHEET. DIMENSIONS SHALL GOVERN OVER SCALE, AND CODE SHALL GOVERN OVER DIMENSIONS ON DRAWINGS.

| | |
|-----------|---|
| CLIENT: | MCKEE HOMES |
| PROJECT: | PALAZZO 2020 - RIGHT HAND |
| LOCATION: | NORTH CAROLINA |
| SCALE: | 1/8" = 1'-0" FOR 11x17 PAPER, 1/4" = 1'-0" FOR 22x34 PAPER, OR AS NOTED |

PROJECT NO.: **20902056**

DATE: **11/11/2020** DRAWN BY: **AWC**

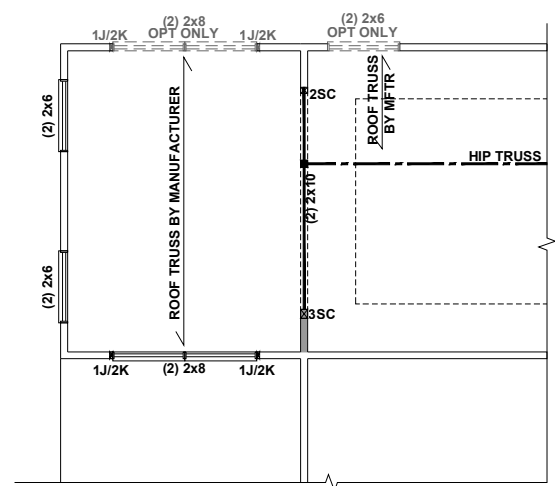
SLAB FOUNDATION PLAN

S0.2B

SLAB FOUNDATION PLAN - OPTOINS - CRAFTSMAN

SCALE: 1/8" = 1'-0"

FIRST FLOOR CEILING FRAMING PLAN - OPTIONS - CRAFTSMAN
 SCALE: 1/8" = 1'-0"

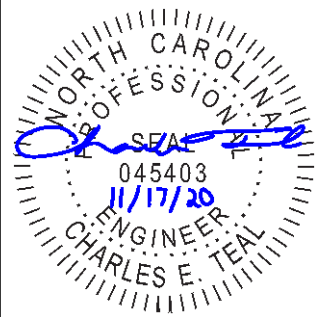


OPT SITTING ROOM

BEAM & POINT LOAD LEGEND

- INTERIOR LOAD BEARING WALL
- - - ROOF RAFTER / TRUSS SUPPORT
- - - DOUBLE RAFTER / DOUBLE JOIST
- - - STRUCTURAL BEAM / GIRDER
- WINDOW / DOOR HEADER
- POINT LOAD TRANSFER
- POINT LOAD FROM ABOVE BEARING ON BEAM / GIRDER

SEE FULL PLAN FOR ADDITIONAL INFORMATION



P-0961

JDSfaulkner
 engineering + design + consulting

JDSfaulkner PLLC, 8600 TY JERSEY CT, RALEIGH, NC 27617 919.480.1075
 INFO@JDSFAULKNER.COM; WWW.JDSFAULKNER.COM

JDSfaulkner PLLC IS NOT LIABLE FOR CHANGES MADE TO PLANS DUE TO CONSTRUCTION METHODS OR ANY CHANGES TO PLANS MADE IN THE FIELD BY CONTRACTOR OR BY OTHERS. DRAWINGS ARE PROVIDED TO CLIENT FOR THE LOT NUMBER, PROPERTY, OR AS A MASTER PLAN AS SPECIFIED ON TITLE SHEET. DIMENSIONS SHALL GOVERN OVER SCALE, AND CODE SHALL GOVERN OVER DIMENSIONS ON DRAWINGS.

CLIENT: **MCKEE HOMES**

PROJECT: **PALAZZO 2020 - RIGHT HAND**

LOCATION: **NORTH CAROLINA**

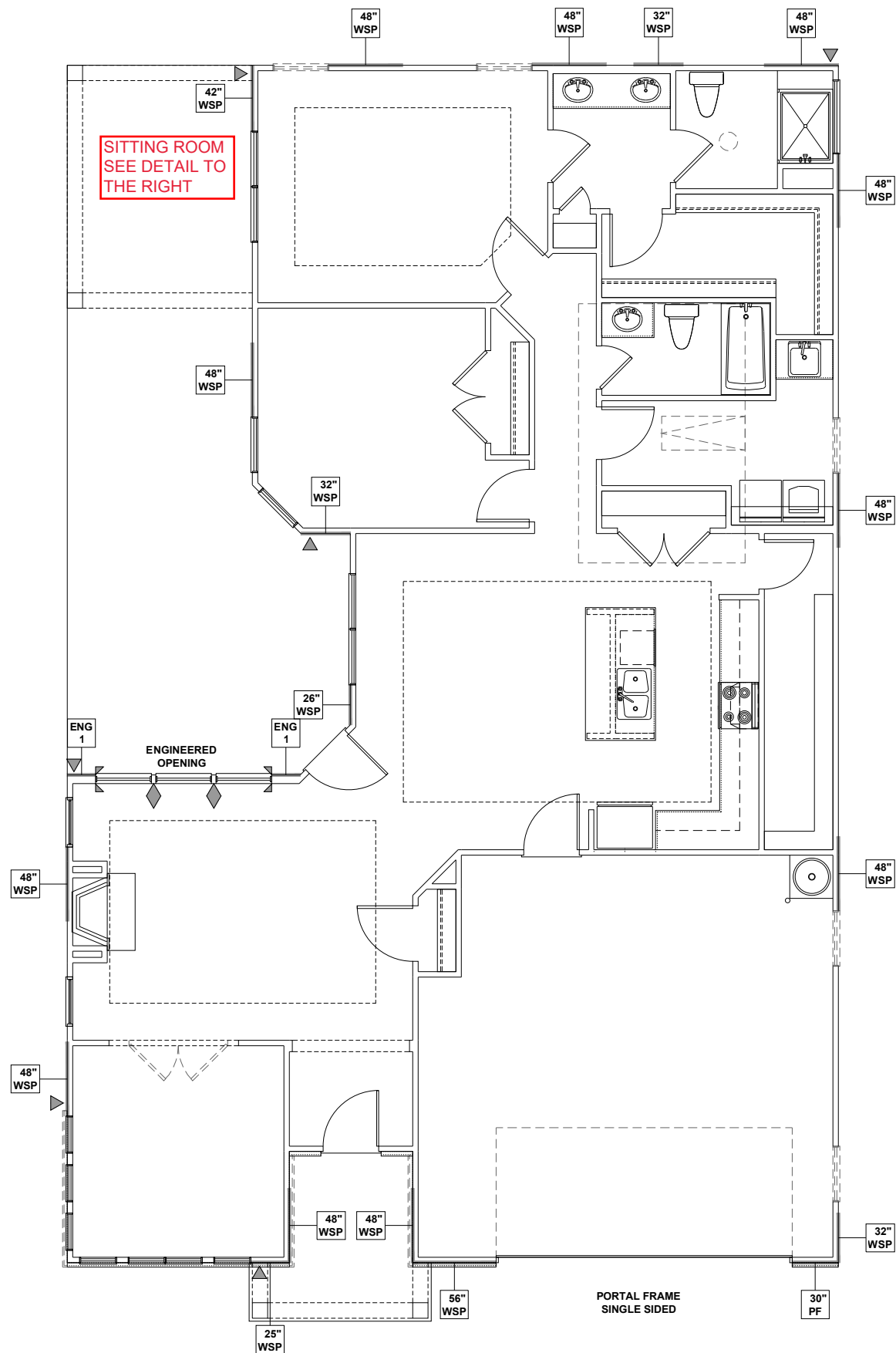
SCALE: 1/8" = 1'-0" FOR 11x17 PAPER, 1/4" = 1'-0" FOR 22x34 PAPER, OR AS NOTED

PROJECT NO.: **20902056**

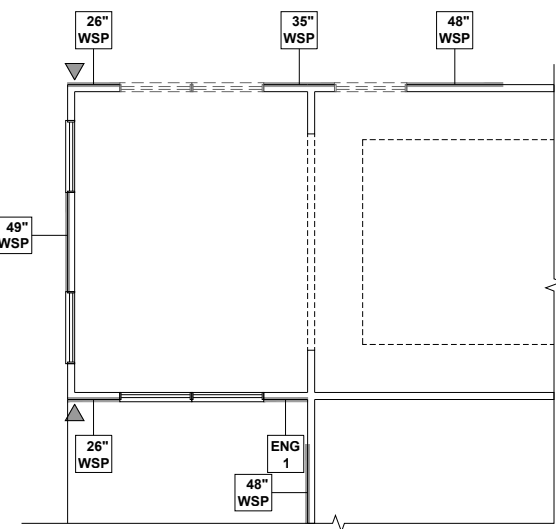
DATE: **11/11/2020** DRAWN BY: **AWC**

FIRST FLOOR OPTIONS
 CEILING FRAMING PLANS

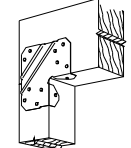
S1.1B



SITTING ROOM
SEE DETAIL TO
THE RIGHT

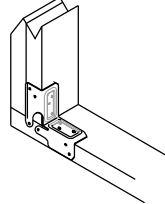


OPT SITTING ROOM



LCE4 BRACING CON.

- NTS
- ▶ LCE4 CLIP TO HEADER JACK CONNECTION AND KBS1Z CLIP AT THE JACK BOTTOM PLATE CONNECTION
- ◆ CS16 STRAP FROM STUD, CROSS HEADER, TO WALL TOP PLATE, 36" LONG MIN.
- ▶ SIMPSON HTT4 HOLD DOWN FOR ATTACHMENT TO CONCRETE OR MSTA18 STRAP FOR WOOD CONNECTIONS.

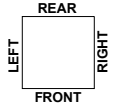


KBS1Z BRACING CON.

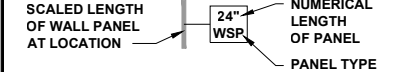
NTS

WALL BRACING REQUIREMENTS

- MINIMUM PANEL WIDTH IS 24"
- FIGURES BASED ON THE CONTINUOUS SHEATHING METHOD USING THE RECTANGLE CIRCUMSCRIBED AROUND THE FLOOR PLAN OR PORTION OF THE FLOOR PLAN. IF NO RECTANGLE IS NOTED, THE STRUCTURE HAS BEEN FIGURED ALL WITHIN ONE RECTANGLE.
- PANELS MAY SHIFT UP TO 36" EITHER DIRECTION FOR EASE OF CONSTRUCTION (NAILING & BLOCK REQUIREMENTS STILL APPLY).
- FOR ADDITIONAL WALL BRACING INFORMATION, REFER TO WALL BRACING DETAIL SHEET(S).
- SCHEMATIC BELOW INDICATES HOW SIDES OF RECTANGLE ARE TO BE INTERPRETED IN BRACING CHART WHEN APPLIED TO STRUCTURE:



- ◆ CS16 STRAP FROM STUD, CROSS HEADER, TO WALL TOP PLATE, 36" LONG MINIMUM
- ▶ SIMPSON MSTA15 HOLD DOWN CAPACITY OF 970 POUNDS PER ANCHOR WITH (12) 10d NAILS. STRAP TO BE LOCATED AT EDGE OF BRACED WALL PANEL. (CS16 STRAPPING MAY BE SUBSTITUTED w/ SIMILAR LENGTH AND NAILING PATTERN.) USE HTT4 FOR ATTACHMENT TO CONCRETE.



ENGINEERED WALL SCHEDULE

- ENG1: CONTINUOUSLY SHEATH WITH 7/16" OSB ATTACHED WITH 8d NAILS @ 6" OC EDGE AND 12" OC FIELD. FULLY BLOCKED AT ALL PANEL EDGES.
- ENG2: CONTINUOUSLY SHEATH WITH 7/16" OSB WITH 10d NAILS @ 3" OC EDGE AND 3" OC FIELD. FULLY BLOCKED AT ALL PANEL EDGES.
- ENG3: CONTINUOUSLY SHEATH 7/16" OSB ATTACHED BOTH SIDES WITH 8d NAILS @ 4" OC EDGE AND 8" OC FIELD. FULLY BLOCKED AT ALL PANEL EDGES.
- ENG4: CONTINUOUSLY SHEATH 7/16" OSB ATTACHED WITH 8d NAILS @ 4" OC EDGE AND 8" OC FIELD. FULLY BLOCKED AT ALL PANEL EDGES.

WALL BRACING NOTE:

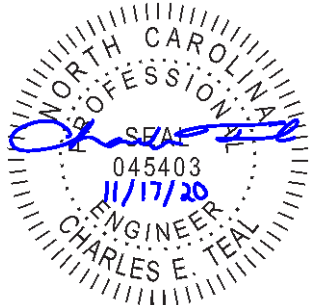
WALLS WITH REQUIRED LENGTH LISTED AS "N/A" DO NOT MEET THE REQUIREMENTS OF PRESCRIPTIVE WALL BRACING FOUND IN THE NCR. THESE WALLS HAVE BEEN ENGINEERED BASED ON DESIGN GUIDELINES ESTABLISHED IN ASCE-07 AND THE NDS: WIND & SEISMIC PROVISIONS SUPPLEMENT.

WALL BRACING: RECTANGLE 1

| SIDE | REQUIRED LENGTH | PROVIDED LENGTH |
|-------|-----------------|-----------------|
| FRONT | 12.5 FT. | 12.6 FT. |
| RIGHT | 8.4 FT. | 17.7 FT. |
| REAR | 12.5 FT. | 14.7 FT. |
| LEFT | 8.4 FT. | 14.7 FT. |

HIGH-SPEED WIND ZONES

FOR LOCATIONS OF 130 MPH OR MORE ULTIMATE DESIGN WIND SPEED WALLS SHALL BE BRACED PER THE LATEST ADOPTED EDITION OF THE AMERICAN SOCIETY OF CIVIL ENGINEERS PUBLICATION ASCE 7 OR STANDARD FOR RESIDENTIAL CONSTRUCTION IN HIGH-WIND REGIONS (ICC 600).



P-0961

JDSfaulkner
engineering + design + consulting
8600 TD JERSEY CT, RALEIGH, NC 27617 919.480.1075
INFO@JDSfaulkner.COM; WWW.JDSfaulkner.COM

JDSfaulkner PLLC IS NOT LIABLE FOR CHANGES MADE TO PLANS DUE TO CONSTRUCTION METHODS OR ANY CHANGES TO PLANS MADE IN THE FIELD BY CONTRACTOR OR BY OTHERS. DRAWINGS ARE PROVIDED TO CLIENT FOR THE LOT NUMBER, PROPERTY, OR AS A MASTER PLAN AS SPECIFIED ON TITLE SHEET. DIMENSIONS SHALL GOVERN OVER SCALE, AND CODE SHALL GOVERN OVER DIMENSIONS ON DRAWINGS.

CLIENT: **MCKEE HOMES**
PROJECT: **PALAZZO 2020 - RIGHT HAND**
LOCATION: **NORTH CAROLINA**
SCALE: 1/8" = 1'-0" FOR 11x17 PAPER, 1/4" = 1'-0" FOR 22x34 PAPER, OR AS NOTED

PROJECT NO.: **20902056**

DATE: **11/11/2020** DRAWN BY: **AWC**

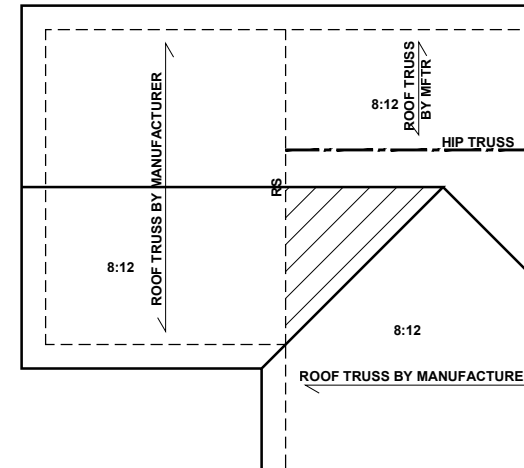
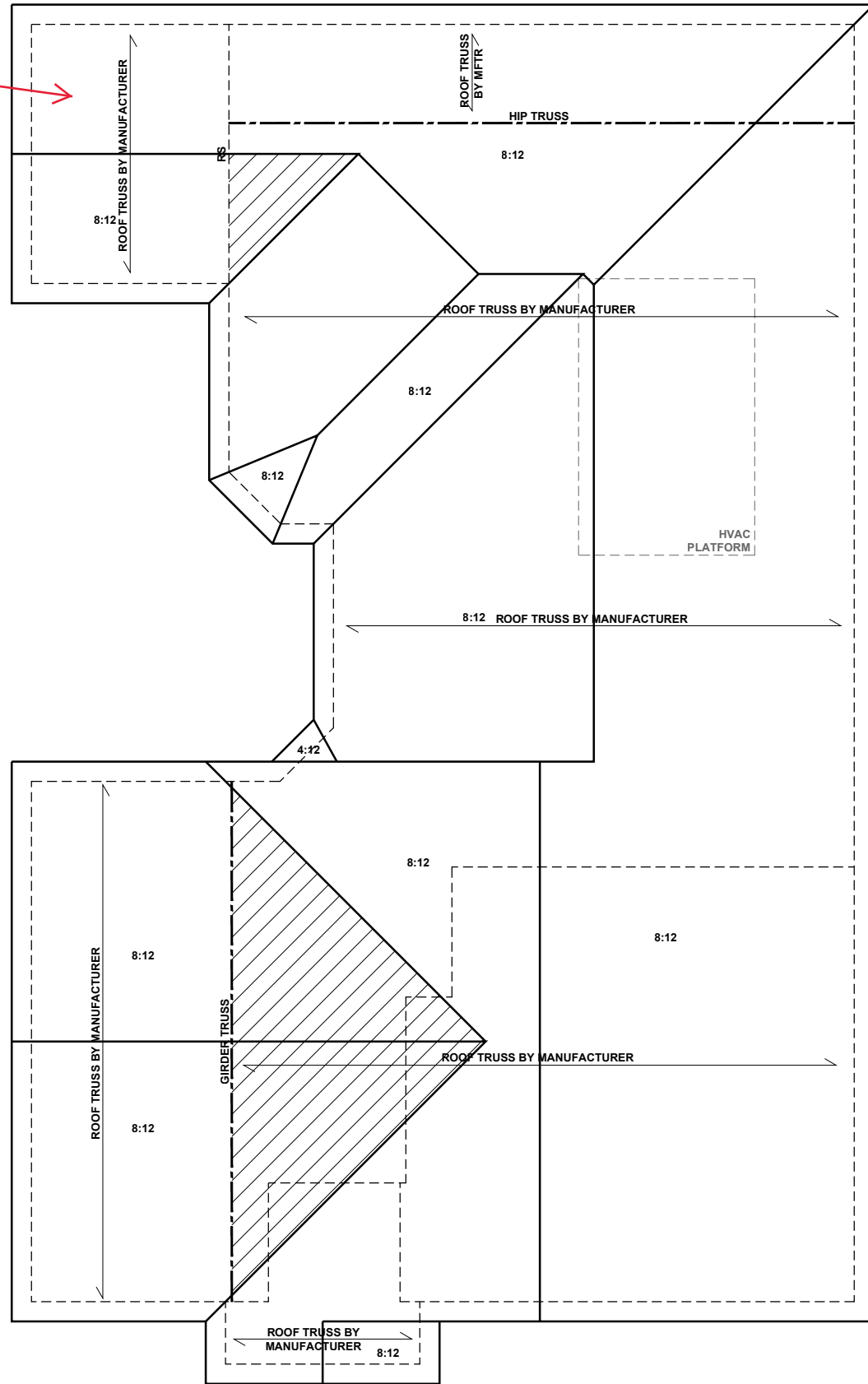
FIRST FLOOR
WALL BRACING PLAN

S3.0B

FIRST FLOOR WALL BRACING PLAN - CRAFTSMAN

SCALE: 1/8" = 1'-0" LAYOUTS AND SPECIFICATIONS FOR NON-HIGH WINDS LOCATIONS ONLY

SITTING ROOM
SEE DETAIL TO
THE RIGHT



SITTING ROOM OPT

BEAM & POINT LOAD LEGEND

| | |
|--|--|
| | INTERIOR LOAD BEARING WALL |
| | ROOF RAFTER / TRUSS SUPPORT |
| | DOUBLE RAFTER / DOUBLE JOIST |
| | STRUCTURAL BEAM / GIRDER |
| | WINDOW / DOOR HEADER |
| | POINT LOAD TRANSFER |
| | POINT LOAD FROM ABOVE BEARING ON BEAM / GIRDER |

- TRUSSED ROOF - STRUCTURAL NOTES**
- PROVIDE CONTINUOUS BLOCKING THROUGH STRUCTURE FOR ALL POINT LOADS.
 - DENOTES OVER-FRAMED AREA
 - MINIMUM 7/16" OSB ROOF SHEATHING
 - TRUSS LAYOUT AND PLACEMENT BY MANUFACTURER TO COINCIDE WITH THE SUPPORT LOCATIONS SHOWN. TRUSS PROFILES SHALL BE SEALED BY THE TRUSS MANUFACTURER. TRUSS PLANS TO BE COORDINATED WITH THE SEALED STRUCTURAL DRAWINGS. INSTALLATION SHALL BE IN ACCORDANCE WITH THE MANUFACTURER'S INSTRUCTIONS.
 - MANUFACTURER TO PROVIDE REQUIRED UPLIFT CONNECTION.
 - PROVIDE H2.5A (MINIMUM) OR EQUIVALENT AT EACH TRUSS-TO-TOP PLATE CONNECTION AT OVER-FRAMED AREAS, UNLESS NOTED OTHERWISE.
 - UPLIFT CONNECTION TO BE CARRIED THROUGH TO FLOOR SYSTEM.

ATTIC VENTILATION - SIDE LOAD

THE TOTAL NET-FREE VENTILATION AREA SHALL NOT BE LESS THAN 1/150 OF THE AREA OF THE ATTIC SPACE TO BE VENTILATED. THE TOTAL VENTILATION MAY BE REDUCED TO 1/300 PROVIDED AT LEAST 50% BUT NOT MORE THAN 80% OF THE REQUIRED VENTILATION BE LOCATED IN THE UPPER PORTION OF THE AREA TO BE VENTILATED, OR AT LEAST 3' ABOVE THE SOFFIT VENTILATION INTAKE.

| | |
|------|--|
| 2405 | SQUARE FEET OF TOTAL ATTIC / 150 = |
| 16 | SQUARE FEET OF NET-FREE VENTILATION REQUIRED |

TRUSS UPLIFT CONNECTORS: EXPOSURE B, 115 MPH, ANY PITCH, 24" O.C. MAX ROOF TRUSS SPACING

TRUSSES SHALL BE ATTACHED TO SUPPORT WALL FOR UPLIFT RESISTANCE. CONTINUOUS OSB WALL SHEATHING BELOW PROVIDES CONTINUOUS UPLIFT RESISTANCE TO FOUNDATION. ALL TRUSSES SUPPORTED BY INTERMEDIATE SUPPORT WALLS, KNEEWALLS, OR BEAMS SHALL BE ATTACHED TO SUPPORTING MEMBER PER SCHEDULE:

ROOF SPAN IS MEASURED HORIZONTALLY BETWEEN FURTHEST SUPPORT POINTS.

| | |
|---------------------|---|
| ROOF PLAN UP TO 28' | CONNECTOR NAILING PER TABLE 602.3(1) NCRBC 2018 EDITION |
| OVER 28' | (1) SIMPSON H2.5A HURRICANE CLIP TO DBL TOP PLATE OR BEAM OR (1) SIMPSON H3 CLIP TO SINGLE 2x4 PLATE |

SEE HIGH WINDS DETAILS FOR ADDITIONAL INFORMATION IF CONSTRUCTED IN HIGH WINDS AREA



P-0961

JDSfaulkner
engineering + design + consulting

JDSfaulkner PLLC, 8600 TD JERSEY CT, RALEIGH, NC 27617 919.480.1075
INFO@JDSfaulkner.COM; WWW.JDSfaulkner.COM

JDSfaulkner PLLC IS NOT LIABLE FOR CHANGES MADE TO PLANS DUE TO CONSTRUCTION METHODS OR ANY CHANGES TO PLANS MADE IN THE FIELD BY CONTRACTOR OR BY OTHERS. DRAWINGS ARE PROVIDED TO CLIENT FOR THE LOT NUMBER, PROPERTY, OR AS A MASTER PLAN AS SPECIFIED ON TITLE SHEET. DIMENSIONS SHALL GOVERN OVER SCALE, AND CODE SHALL GOVERN OVER DIMENSIONS ON DRAWINGS.

CLIENT: **MCKEE HOMES**

PROJECT: **PALAZZO 2020 - RIGHT HAND**

LOCATION: **NORTH CAROLINA**

SCALE: 1/8" = 1'-0" FOR 11x17 PAPER, 1/4" = 1'-0" FOR 22x34 PAPER, OR AS NOTED

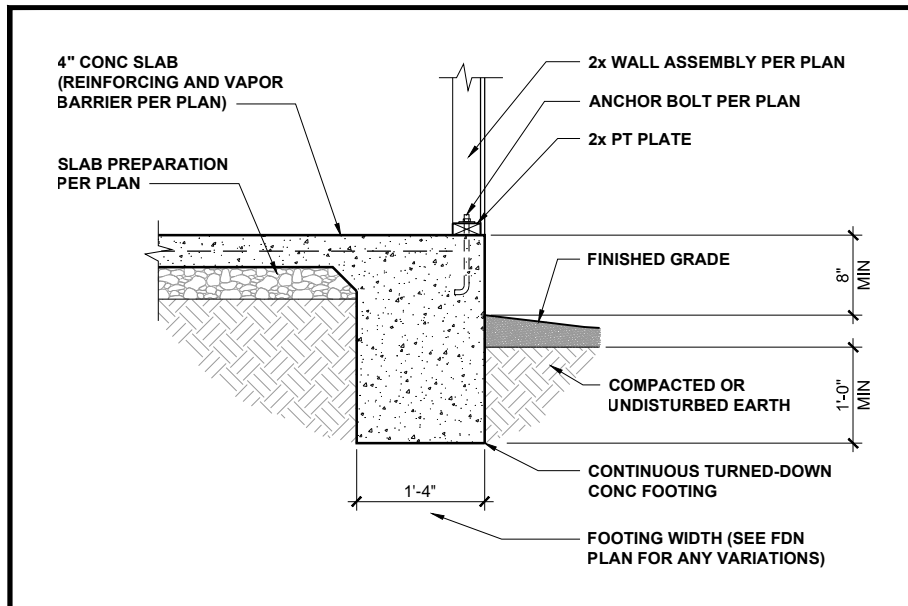
PROJECT NO.: **20902056**

DATE: **11/11/2020** DRAWN BY: **AWC**

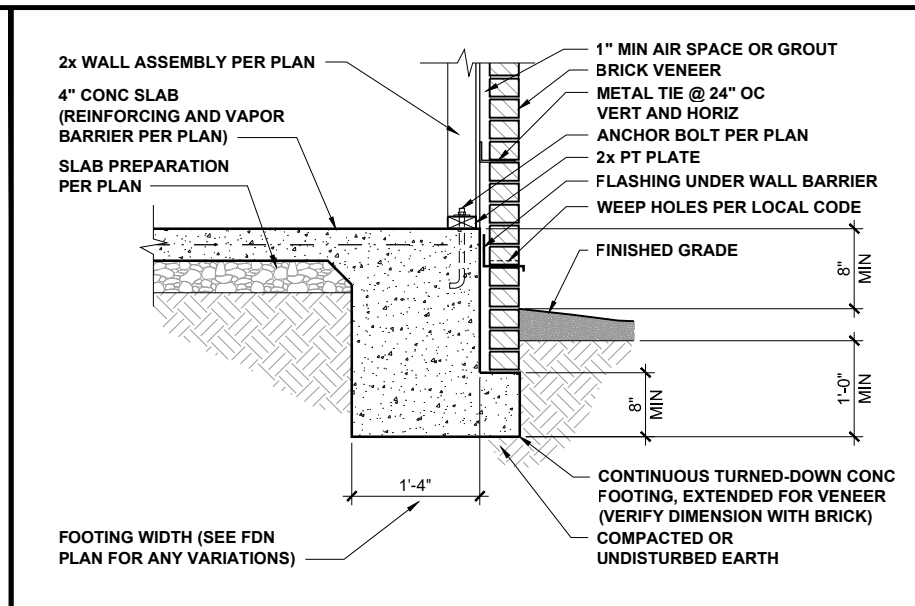
ROOF FRAMING PLAN

S4.0B

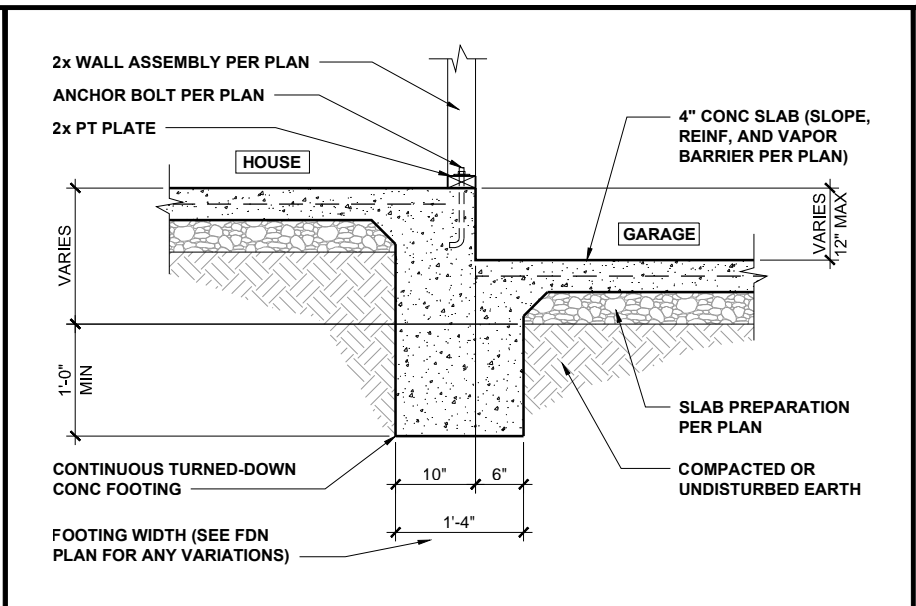
ROOF FRAMING PLAN - CRAFTSMAN
SCALE: 1/8" = 1'-0"



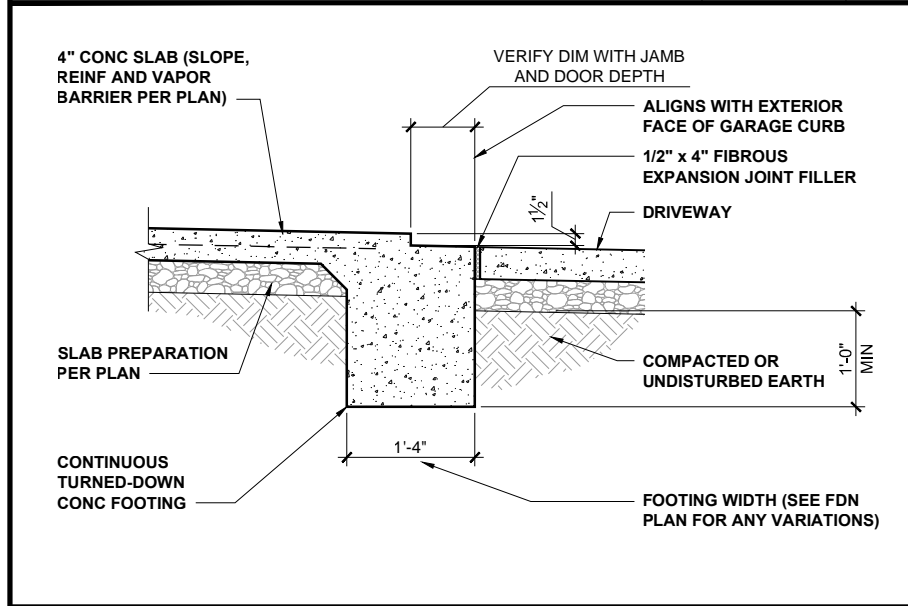
TURNED-DOWN CONC SLAB FOOTING 1/2" = 1'-0" **1**



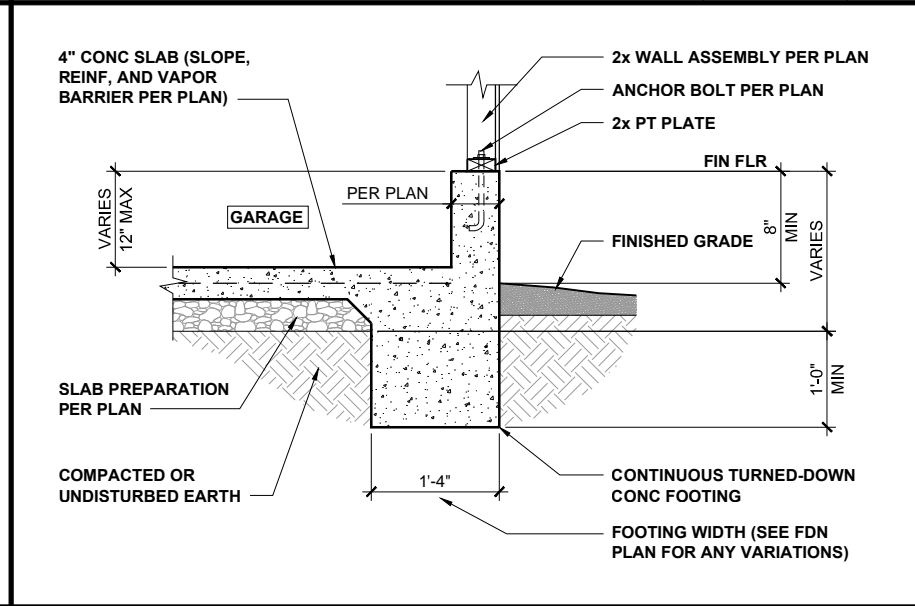
TURNED-DOWN FOOTING w/ BRICK 1/2" = 1'-0" **2**



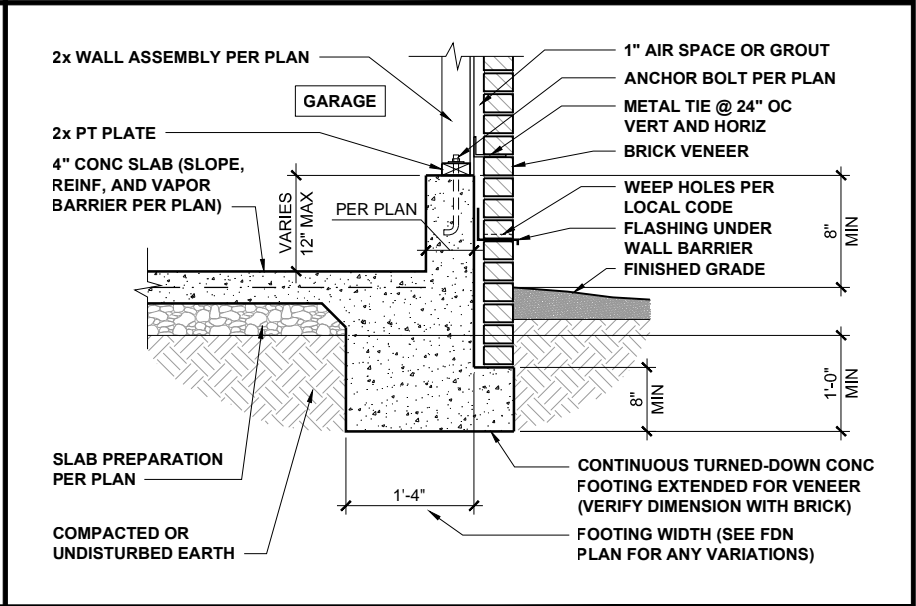
HOUSE / GARAGE FOOTING 1/2" = 1'-0" **3**



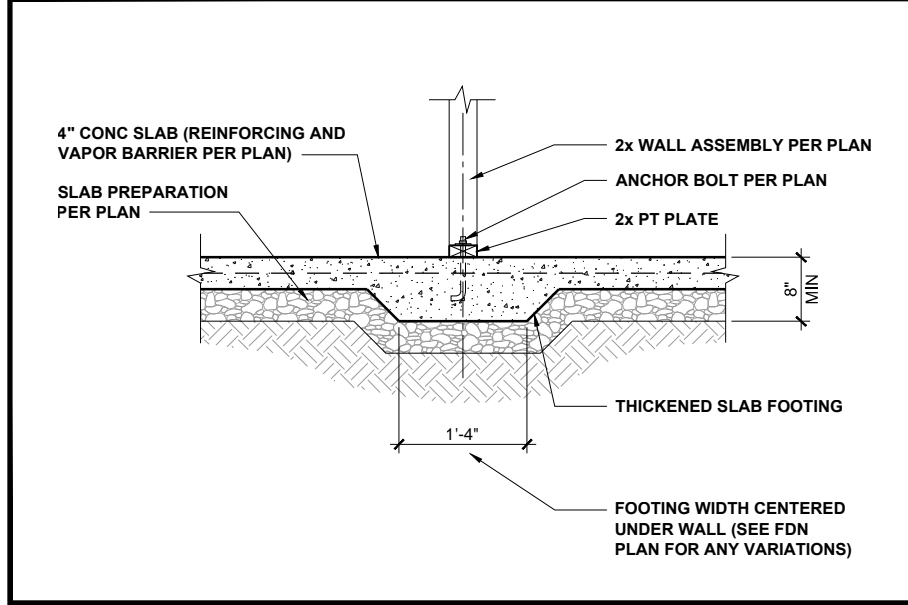
GARAGE DOORWAY FOOTING 1/2" = 1'-0" **4**



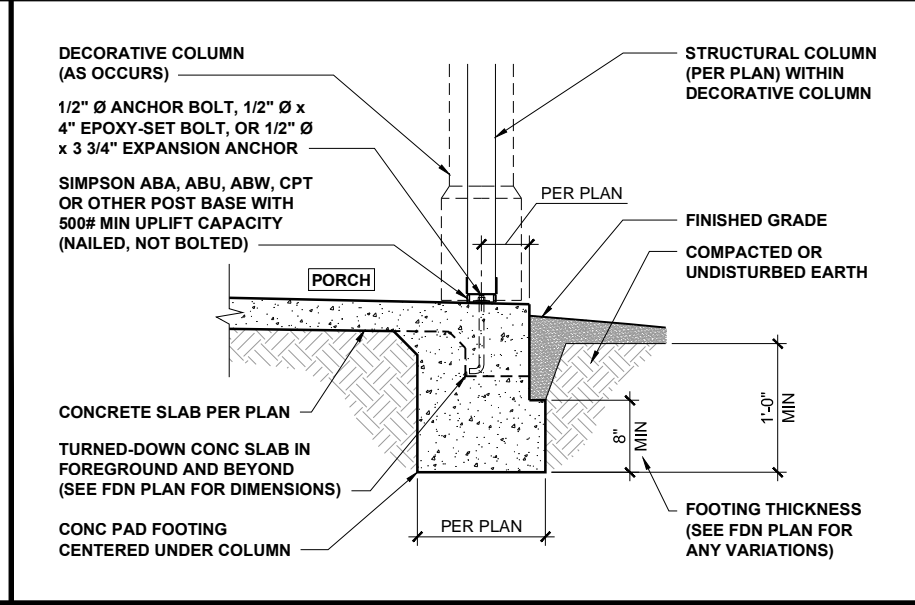
GARAGE FOUNDATION 1/2" = 1'-0" **5**



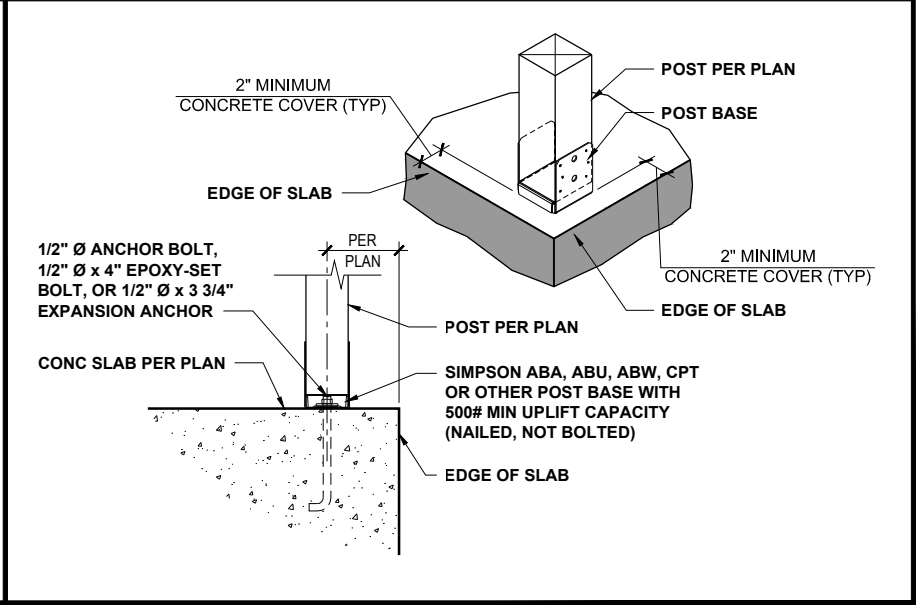
GARAGE FOUNDATION WITH BRICK 1/2" = 1'-0" **6**



INTERIOR FOOTING 1/2" = 1'-0" **7**



PORCH COLUMN FOUNDATION 1/2" = 1'-0" **8**



PORCH COLUMN 3/4" = 1'-0" **9**



JDSfaulkner
 engineering + design + consulting
 JDSfaulkner PLLC, 8600 TD JERSEY CT, RALEIGH, NC 27617 919.480.1075
 INFO@JDSfaulkner.COM; WWW.JDSfaulkner.COM

P-0961

JDSfaulkner PLLC IS NOT LIABLE FOR CHANGES MADE TO PLANS DUE TO THE FIELD CONSTRUCTION METHODS OR ANY CHANGES TO PLANS MADE IN THE FIELD BY CONTRACTOR OR BY OTHERS. DRAWINGS ARE PROVIDED TO CLIENT FOR THE LOT NUMBER, PROPERTY, OR AS A MASTER PLAN AS SPECIFIED ON TITLE SHEET. DIMENSIONS SHALL GOVERN OVER SCALE, AND CODE SHALL GOVERN OVER DIMENSIONS ON DRAWINGS.

CLIENT: **MCKEE HOMES**

PROJECT: **PALAZZO 2020 - RIGHT HAND**

LOCATION: **NORTH CAROLINA**

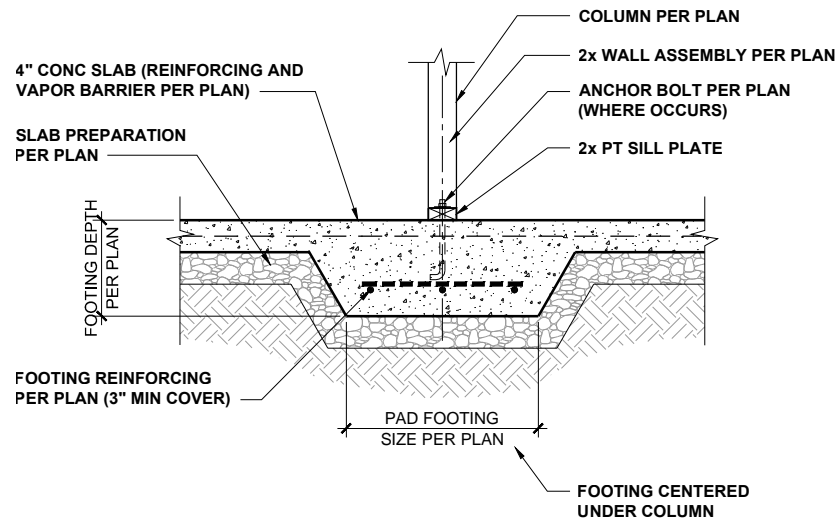
SCALE: 1/8" = 1'-0" FOR 11x17 PAPER, 1/4" = 1'-0" FOR 22x34 PAPER, OR AS NOTED

PROJECT NO.: **20902056**

DATE: **11/11/2020** DRAWN BY: **AWC**

TURNED-DOWN SLAB FOUNDATION DETAILS

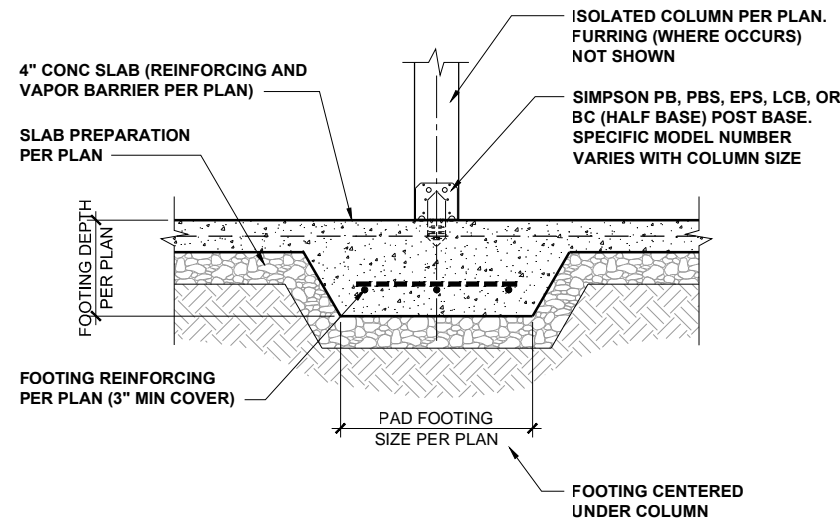
D1.0



INT POINT-LOAD FOOTING SECTION

1/2" = 1'-0"

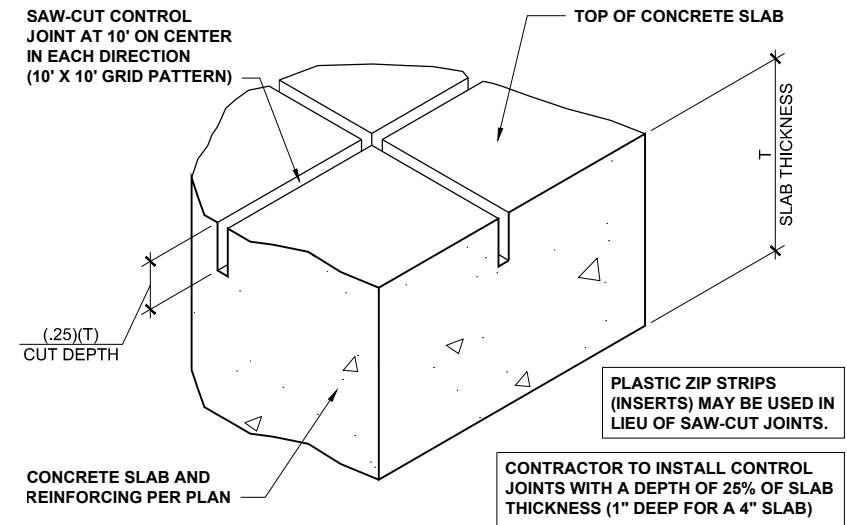
1



ISOLATED COLUMN FOOTING

1/2" = 1'-0"

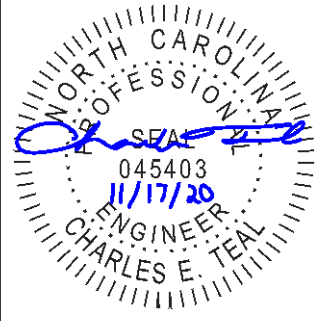
2



CONCRETE SLAB CONTROL JOINTS

3" = 1'-0"

3



P-0961



JDSfaulkner PLLC, 8600 TD JERSEY CT, RALEIGH, NC 27617 919.480.1075
 INFO@JDSfaulkner.COM; WWW.JDSfaulkner.COM
 JDSfaulkner PLLC IS NOT LIABLE FOR CHANGES MADE TO PLANS DUE TO CONSTRUCTION METHODS OR ANY CHANGES TO PLANS MADE IN THE FIELD BY CONTRACTOR OR BY OTHERS. DRAWINGS ARE PROVIDED TO CLIENT FOR THE LOT NUMBER, PROPERTY, OR AS A MASTER PLAN AS SPECIFIED ON TITLE SHEET. DIMENSIONS SHALL GOVERN OVER SCALE, AND CODE SHALL GOVERN OVER DIMENSIONS ON DRAWINGS.

CLIENT: **MCKEE HOMES**

PROJECT: **PALAZZO 2020 - RIGHT HAND**

LOCATION: **NORTH CAROLINA**

SCALE: 1/8" = 1'-0" FOR 11x17 PAPER, 1/4" = 1'-0" FOR 22x34 PAPER, OR AS NOTED

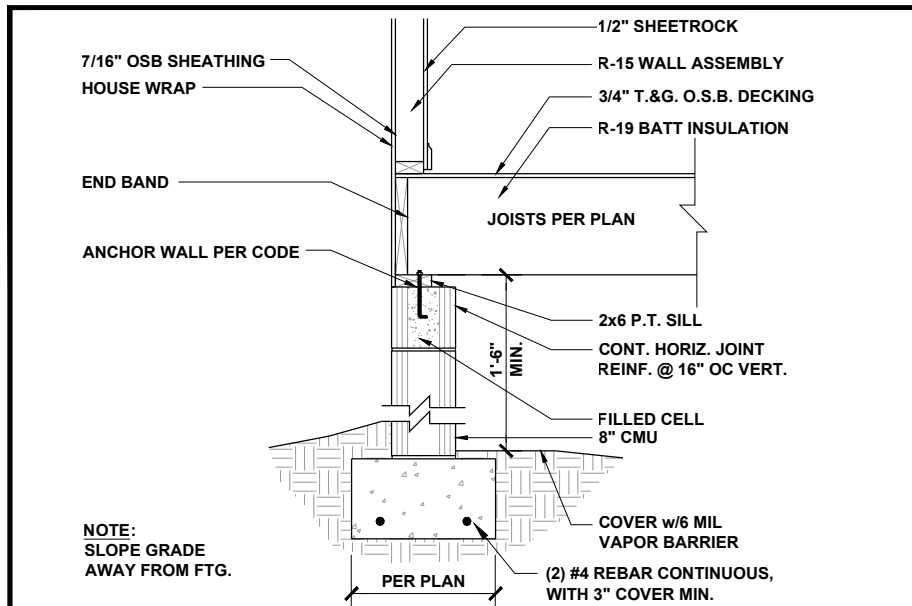
PROJECT NO.: **20902056**

DATE: **11/11/2020**

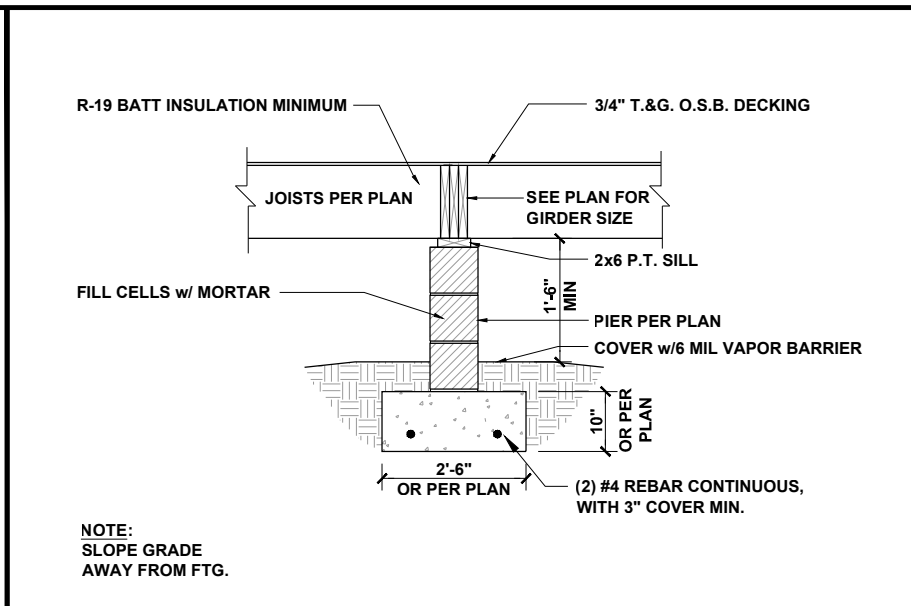
DRAWN BY: **AWC**

TURNED-DOWN SLAB
 FOUNDATION DETAILS

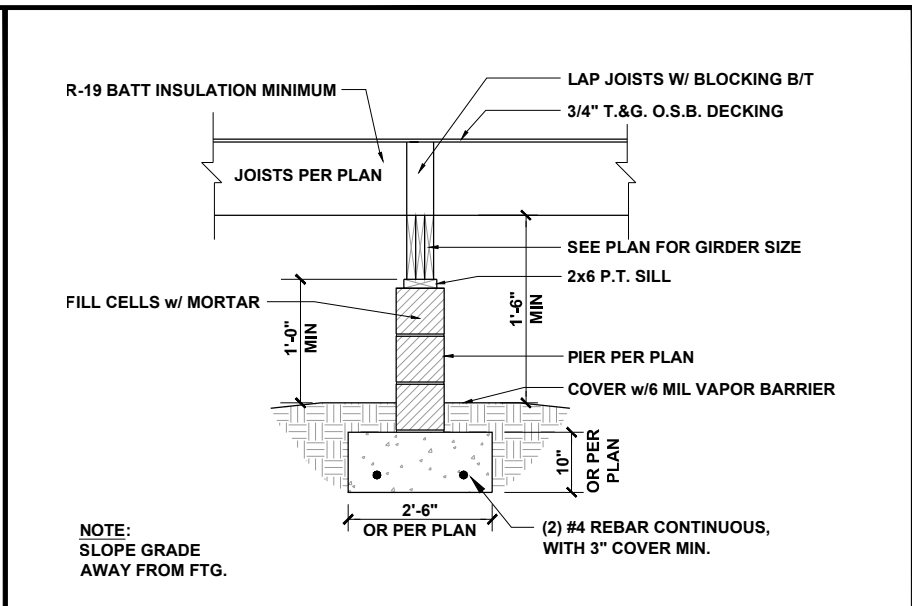
D2.0



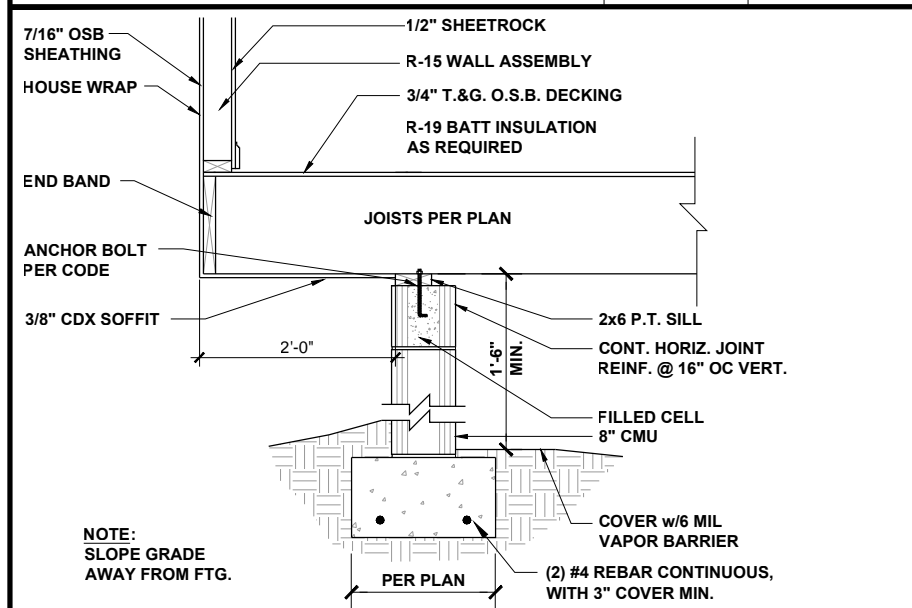
CRAWL AT EXTERIOR WALL 1/2" = 1'-0" **1 or 2**



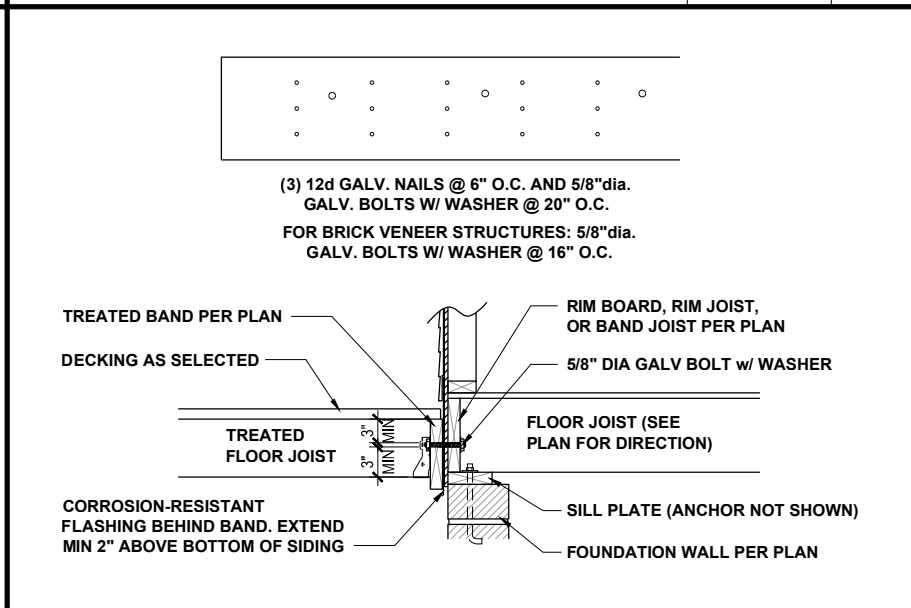
FLUSH PIER AND GIRDER 3/8" = 1'-0" **3.1**



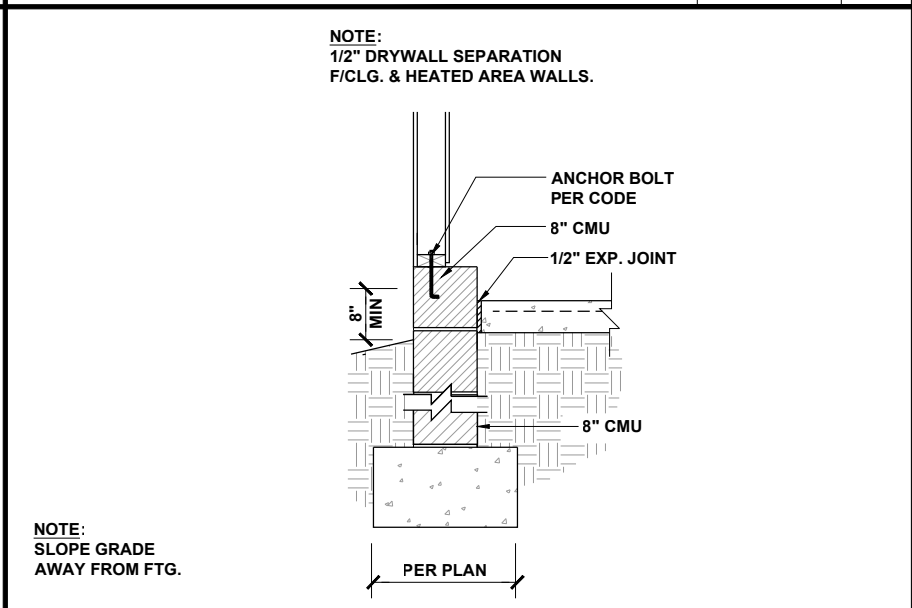
DROPPED PIER AND GIRDER 3/8" = 1'-0" **3**



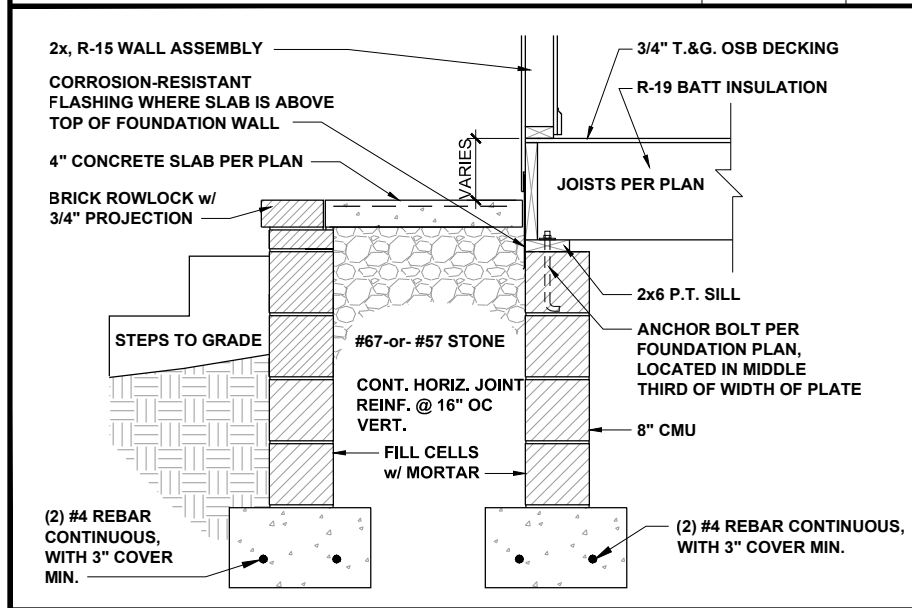
CANTILEVER SECTION AT CRAWL 1/2" = 1'-0" **4**



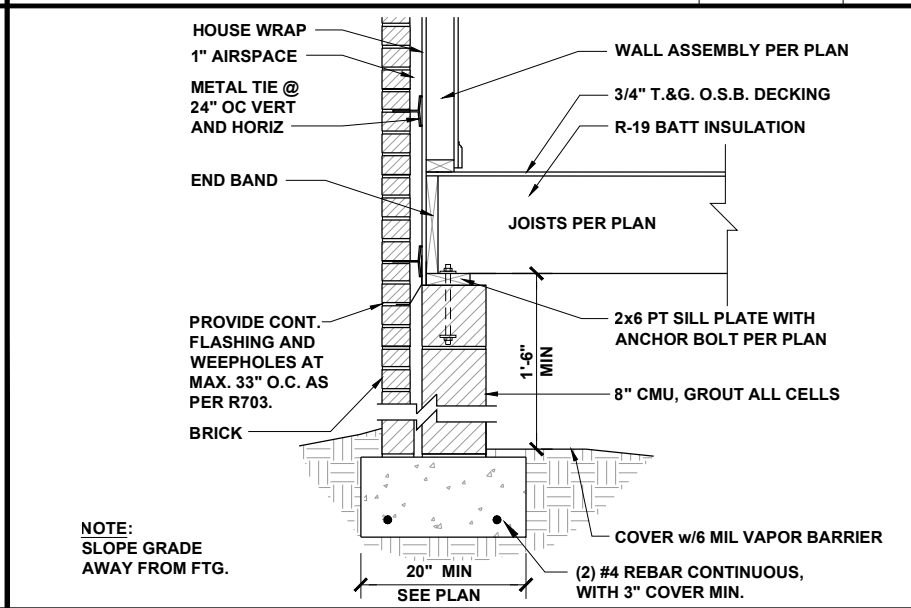
DECK ATTACHMENT 1/2" = 1'-0" **5**



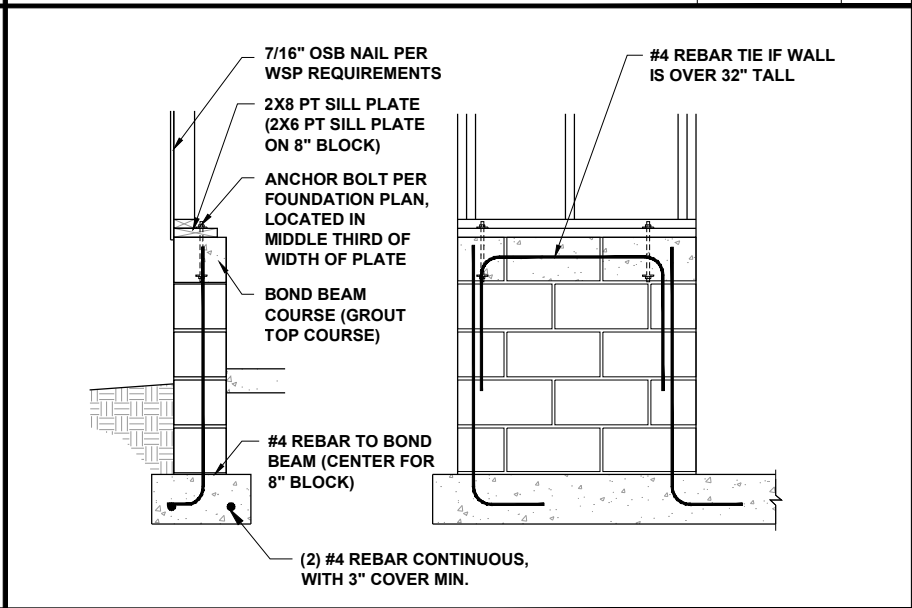
GARAGE FOUNDATION 1/2" = 1'-0" **6**



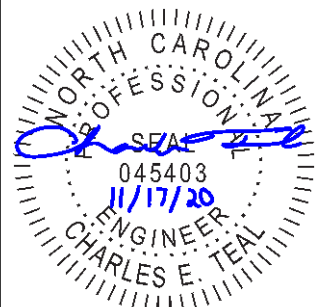
FRONT PORCH SECTION 1/2" = 1'-0" **7**



CRAWL AT EXT WALL W/ BRICK 1/2" = 1'-0" **8**



GARAGE WING WALL 3/8" = 1'-0" **9**



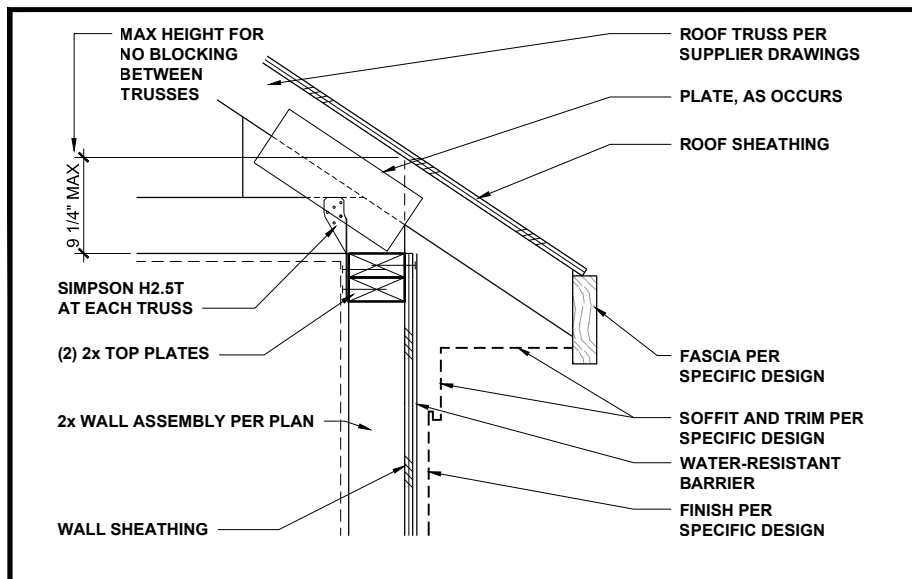
P-0961

JDSfaulkner
 engineering + design + consulting
 JDSfaulkner PLLC, 8600 D JERSEY CT, RALEIGH, NC 27617 919.480.1075
 INFO@JDSFAULKNER.COM; WWW.JDSFAULKNER.COM

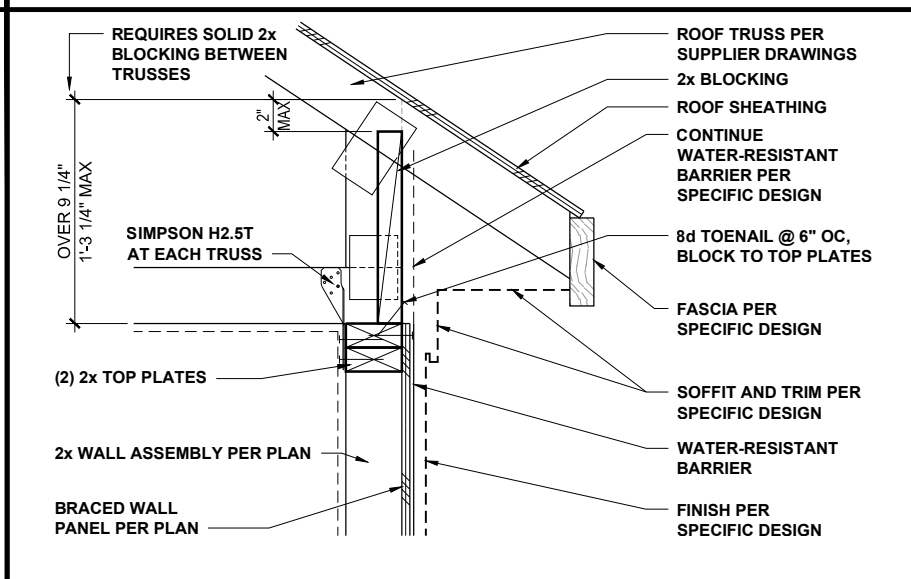
JDSfaulkner PLLC IS NOT LIABLE FOR CHANGES MADE TO PLANS DUE TO CONSTRUCTION METHODS OR ANY CHANGES TO PLANS MADE IN THE FIELD BY CONTRACTOR OR BY OTHERS. DRAWINGS ARE PROVIDED TO CLIENT FOR THE LOT NUMBER, PROPERTY, OR AS A MASTER PLAN AS SPECIFIED ON TITLE SHEET. DIMENSIONS SHALL GOVERN OVER SCALE, AND CODE SHALL GOVERN OVER DIMENSIONS ON DRAWINGS.

CLIENT: **MCKEE HOMES**
 PROJECT: **PALAZZO 2020 - RIGHT HAND**
 LOCATION: **NORTH CAROLINA**
 SCALE: 1/8" = 1'-0" FOR 11x17 PAPER, 1/4" = 1'-0" FOR 22x34 PAPER, OR AS NOTED

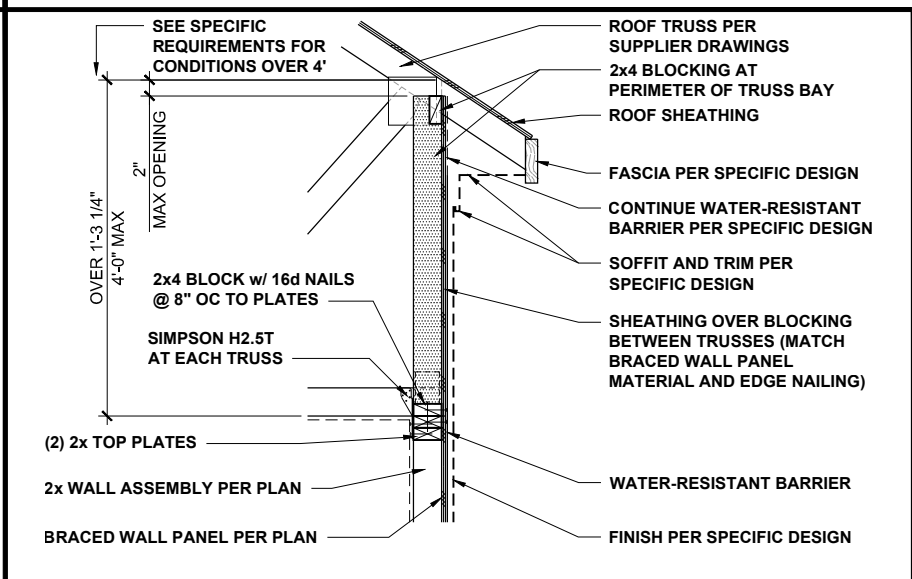
PROJECT NO.: **20902056**
 DATE: **11/11/2020** DRAWN BY: **AWC**
CRAWL SPACE FOUNDATION DETAILS
D3.0



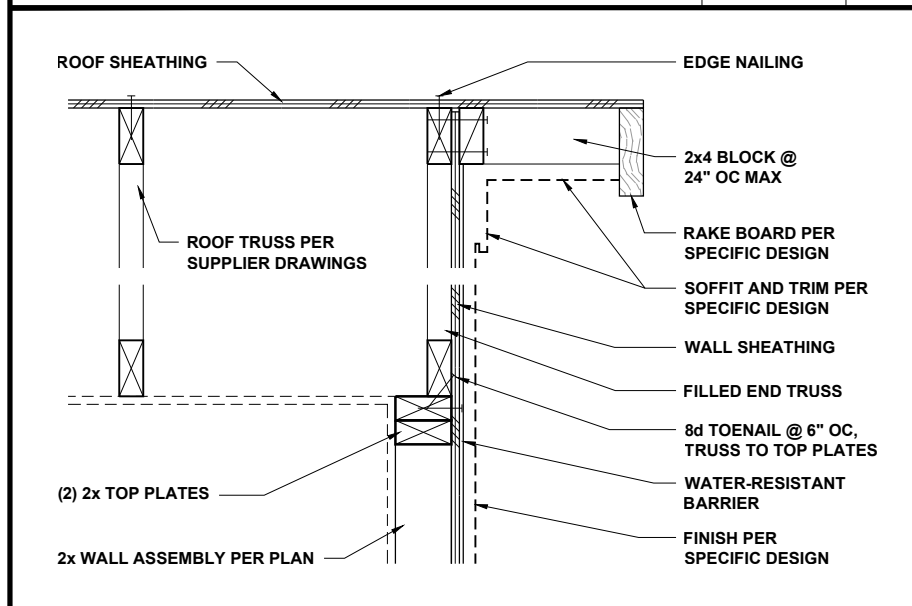
LOW-HEEL TRUSS AT WALL 1" = 1'-0" **1**



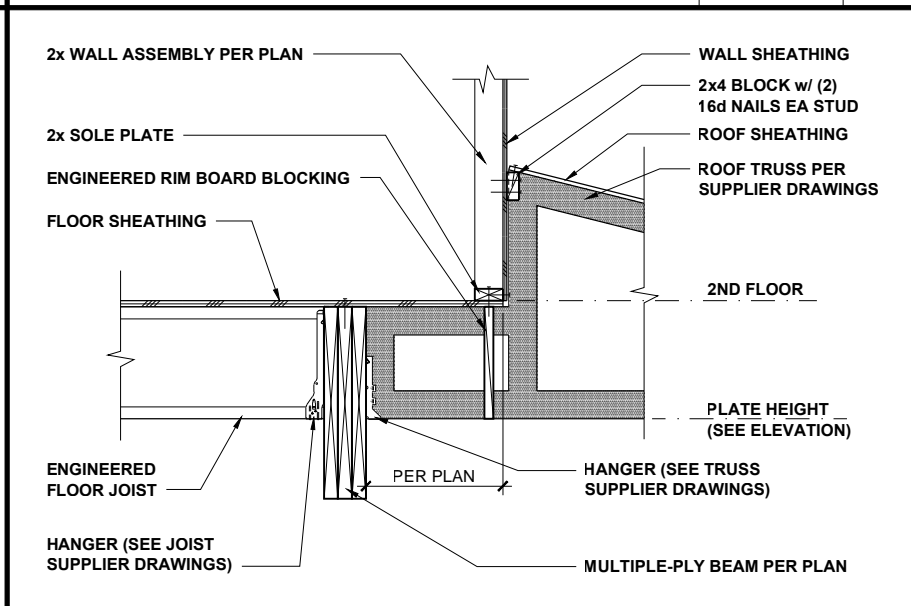
TYPICAL TRUSS AT BRACED WALL 1" = 1'-0" **2**



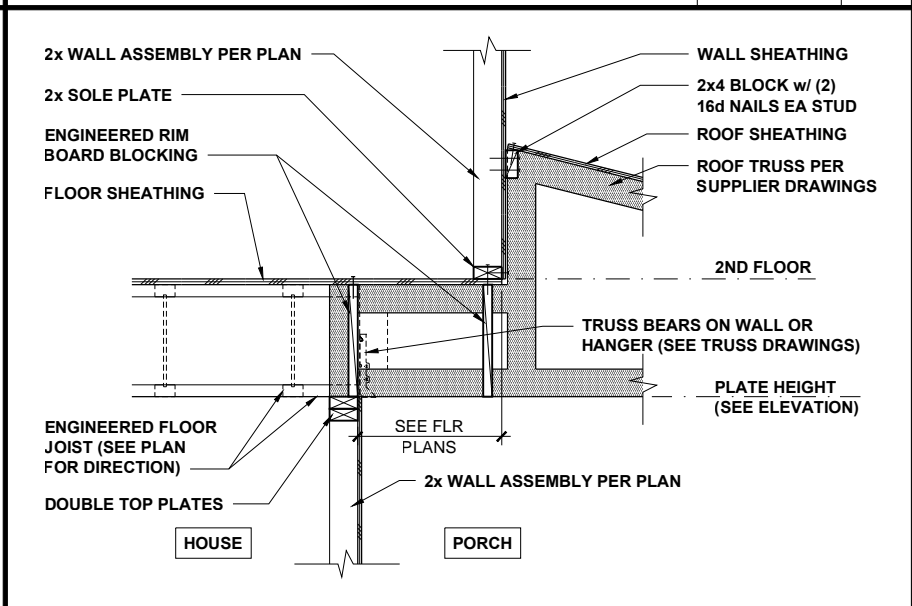
HIGH-HEEL TRUSS AT BRACED WALL 1/2" = 1'-0" **3**



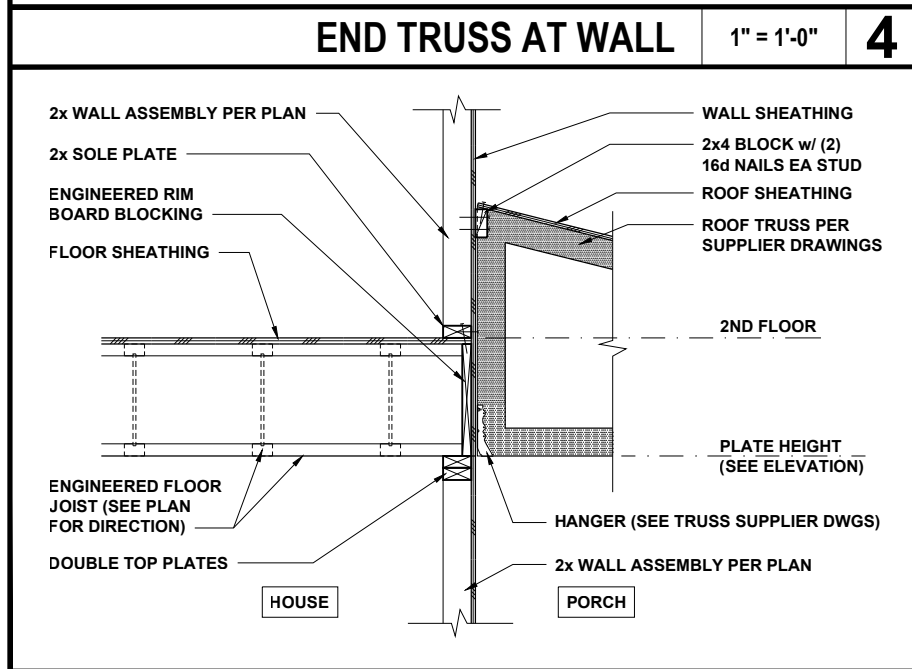
END TRUSS AT WALL 1" = 1'-0" **4**



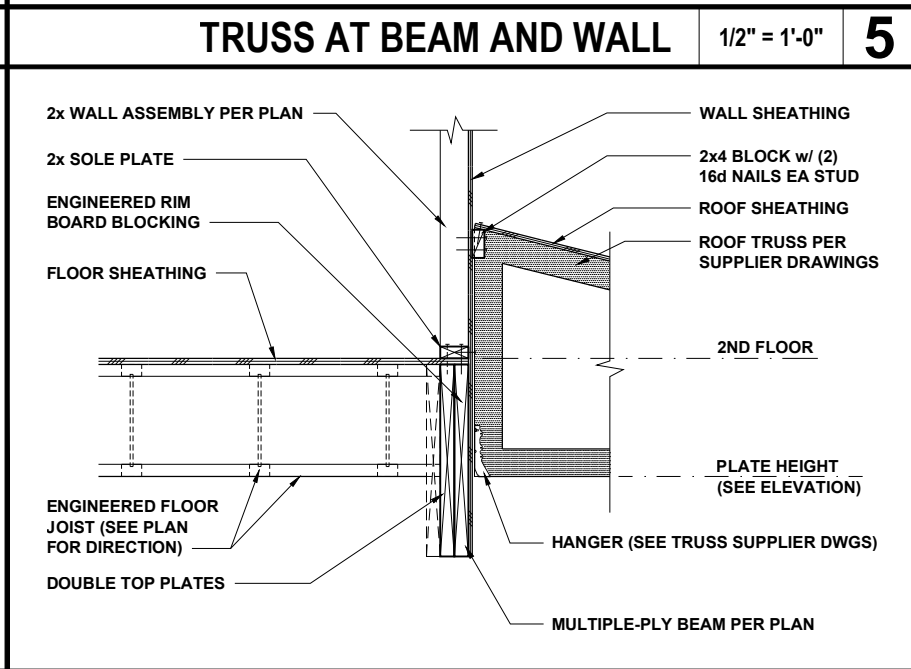
TRUSS AT BEAM AND WALL 1/2" = 1'-0" **5**



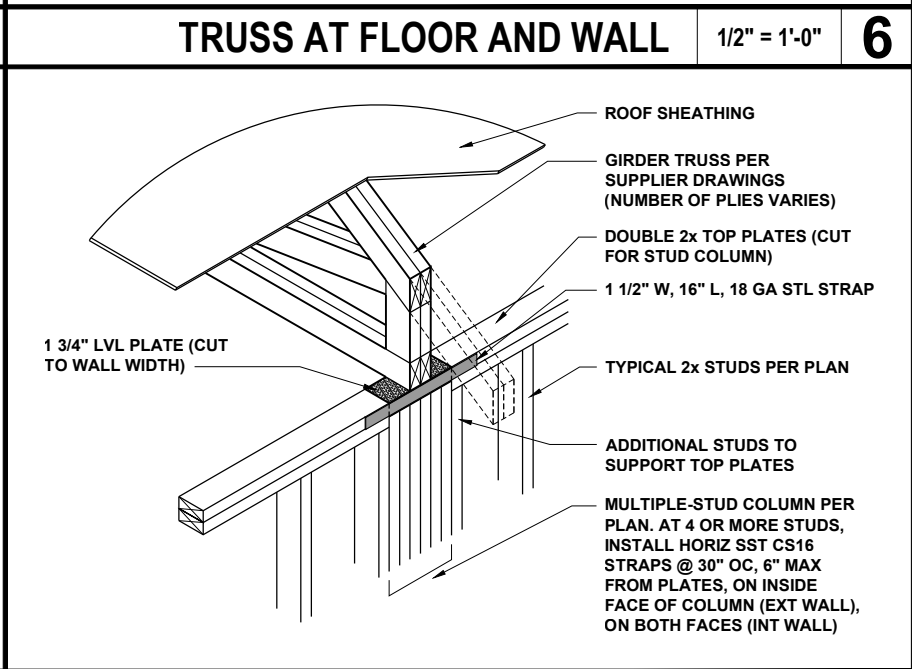
TRUSS AT FLOOR AND WALL 1/2" = 1'-0" **6**



TRUSS AT FLOOR AND WALL 1/2" = 1'-0" **7**



TRUSS AT BEAM AND WALL 1/2" = 1'-0" **8**



GIRDER TRUSS AT WALL 1/2" = 1'-0" **9**



P-0961

JDSfaulkner
engineering + design + consulting
JDSfaulkner PLLC, 8600 D JERSEY CT, RALEIGH, NC 27617 919.480.1075
INFO@JDSfaulkner.COM; WWW.JDSfaulkner.COM

JDSfaulkner PLLC IS NOT LIABLE FOR CHANGES MADE TO PLANS DUE TO CONSTRUCTION METHODS OR ANY CHANGES TO PLANS MADE IN THE FIELD BY CONTRACTOR OR BY OTHERS. DRAWINGS ARE PROVIDED TO CLIENT FOR THE LOT NUMBER, PROPERTY, OR AS A MASTER PLAN AS SPECIFIED ON TITLE SHEET. DIMENSIONS SHALL GOVERN OVER SCALE, AND CODE SHALL GOVERN OVER DIMENSIONS ON DRAWINGS.

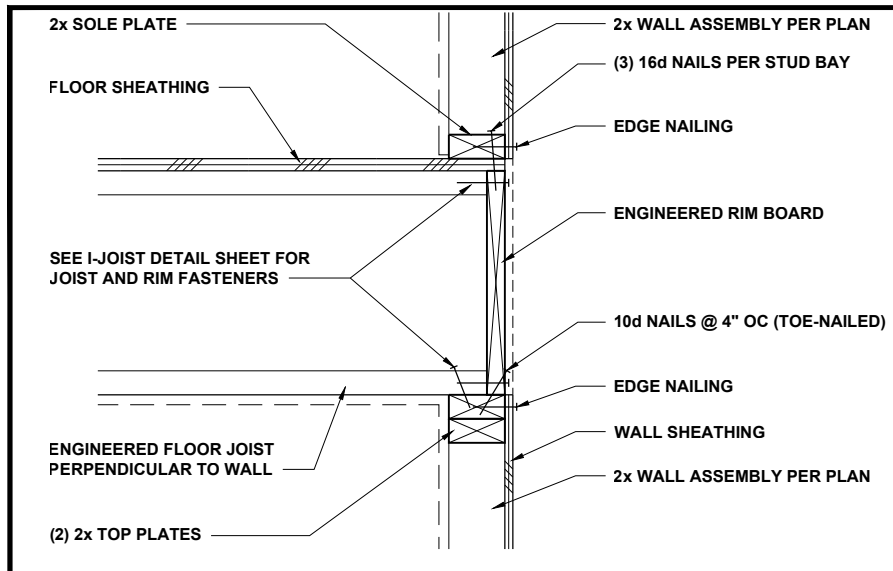
CLIENT: **MCKEE HOMES**
PROJECT: **PALAZZO 2020 - RIGHT HAND**
LOCATION: **NORTH CAROLINA**
SCALE: 1/8" = 1'-0" FOR 11x17 PAPER, 1/4" = 1'-0" FOR 22x34 PAPER, OR AS NOTED

PROJECT NO.: **20902056**

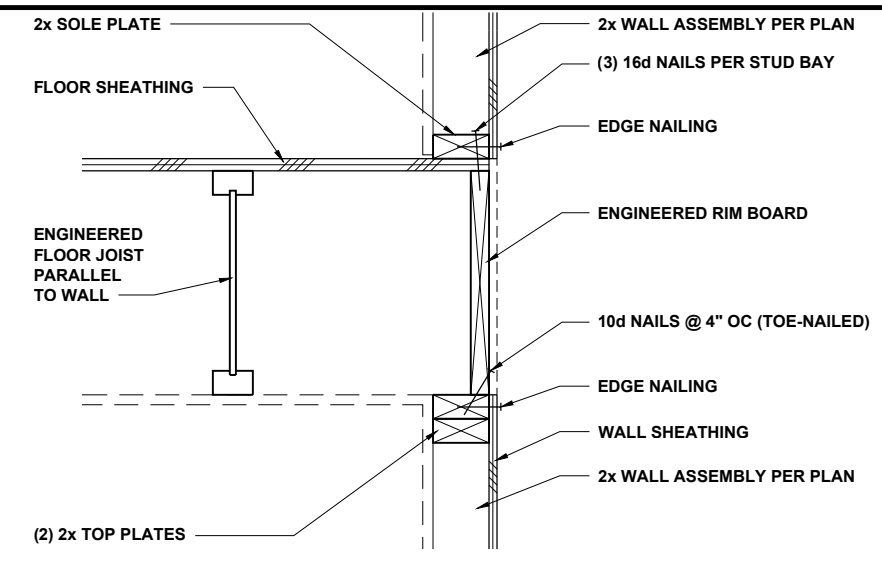
DATE: **11/11/2020** DRAWN BY: **AWC**

ROOF TRUSS
FRAMING DETAILS

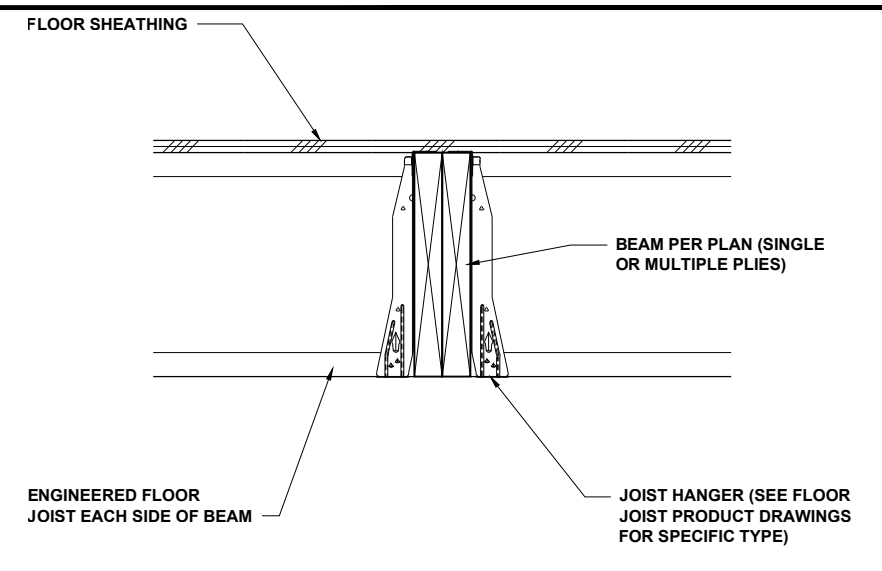
D4.0



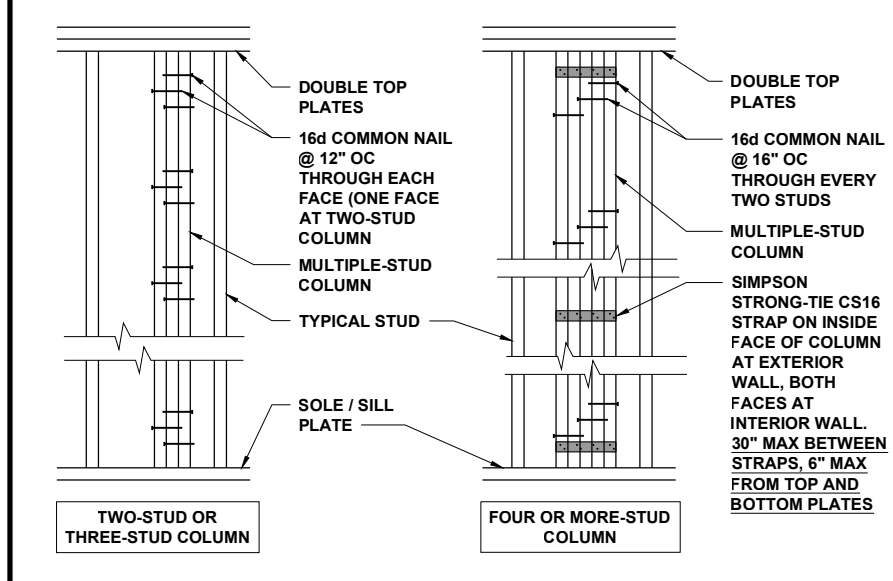
FLOOR JOISTS PERP TO WALL 1" = 1'-0" **1**



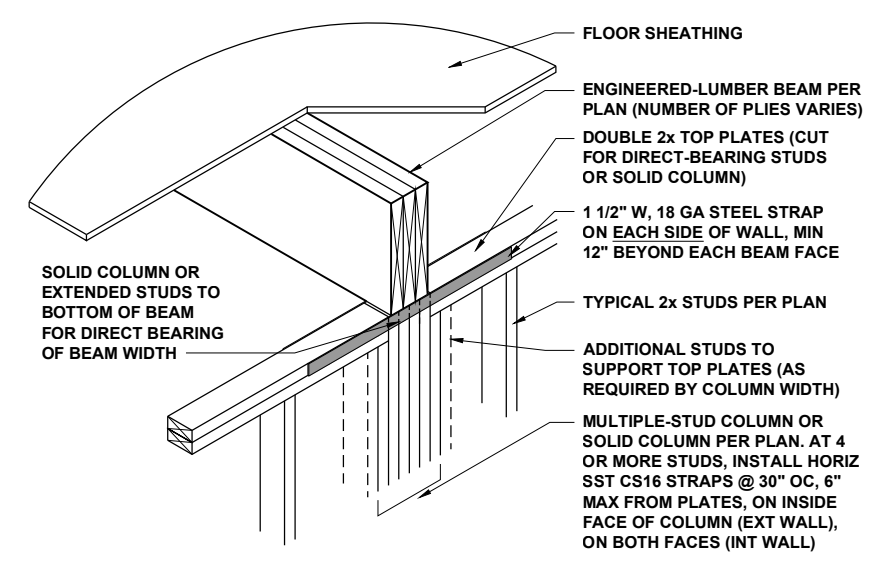
FLOOR JOISTS PARALLEL TO WALL 1" = 1'-0" **2**



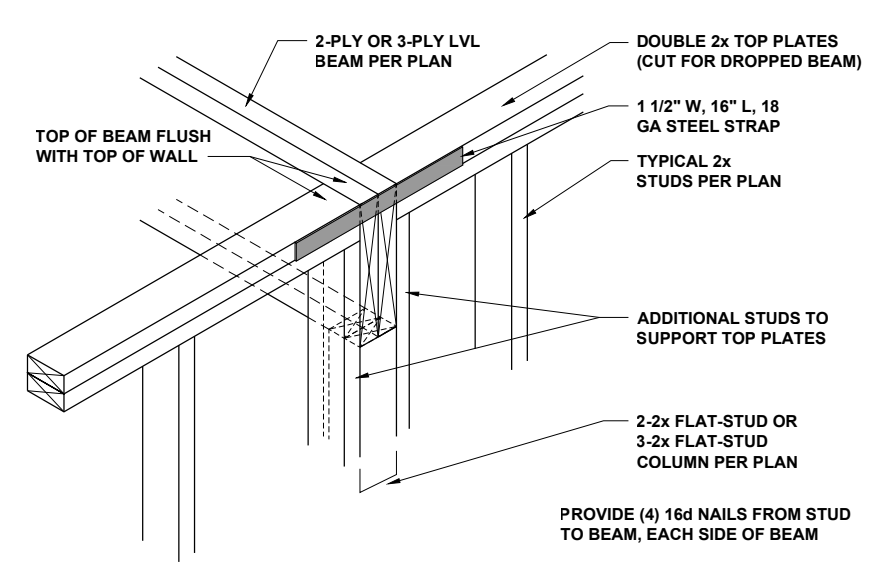
FLOOR JOISTS AT FLUSH BEAM 3/4" = 1'-0" **3**



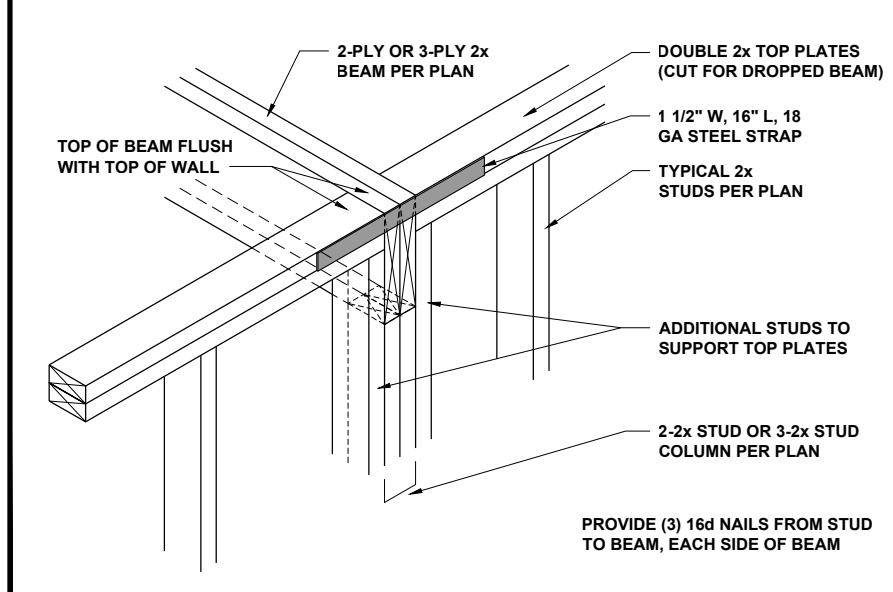
MULTIPLE-STUD COLUMN FASTENING 1/2" = 1'-0" **4**



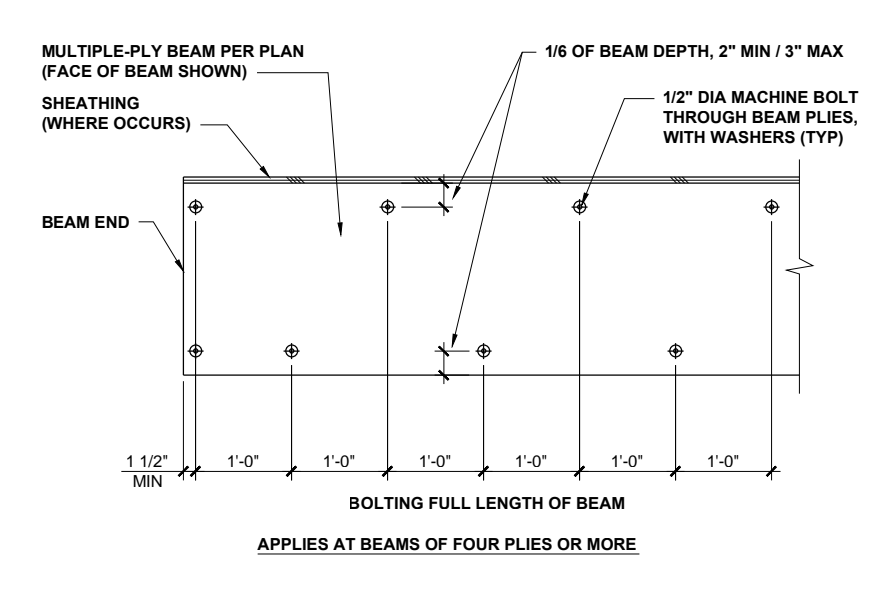
FLUSH BEAM AT WALL 1/2" = 1'-0" **5**



DROPPED LVL BEAM AT WALL 3/4" = 1'-0" **6**



DROPPED 2x BEAM AT WALL 3/4" = 1'-0" **7**



MULTIPLE-PLY BEAM BOLTING 1/2" = 1'-0" **8**



P-0961

JDSfaulkner
 engineering + design + consulting
 JDSfaulkner PLLC, 8600 TD JERSEY CT, RALEIGH, NC 27617 919.480.1075
 INFO@JDSfaulkner.COM; WWW.JDSfaulkner.COM

JDSfaulkner PLLC IS NOT LIABLE FOR CHANGES MADE TO PLANS DUE TO CONSTRUCTION METHODS OR ANY CHANGES TO PLANS MADE IN THE FIELD BY CONTRACTOR OR BY OTHERS. DRAWINGS ARE PROVIDED TO CLIENT FOR THE LOT NUMBER, PROPERTY, OR AS A MASTER PLAN AS SPECIFIED ON TITLE SHEET. DIMENSIONS SHALL GOVERN OVER SCALE, AND CODE SHALL GOVERN OVER DIMENSIONS ON DRAWINGS.

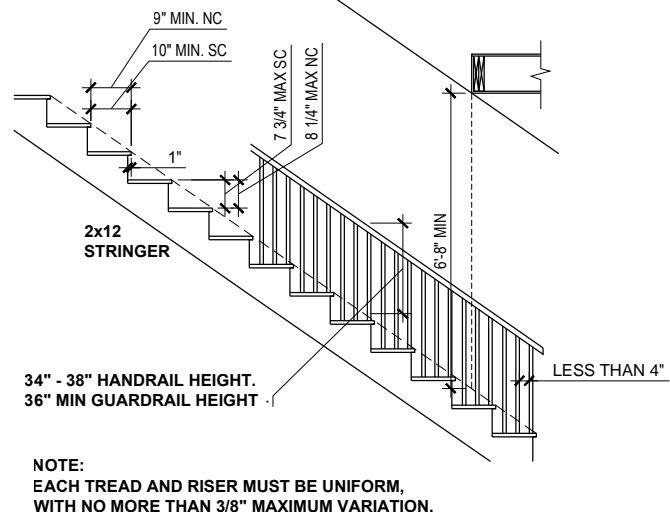
CLIENT: **MCKEE HOMES**
 PROJECT: **PALAZZO 2020 - RIGHT HAND**
 LOCATION: **NORTH CAROLINA**
 SCALE: 1/8" = 1'-0" FOR 11x17 PAPER, 1/4" = 1'-0" FOR 22x34 PAPER, OR AS NOTED

PROJECT NO.: **20902056**

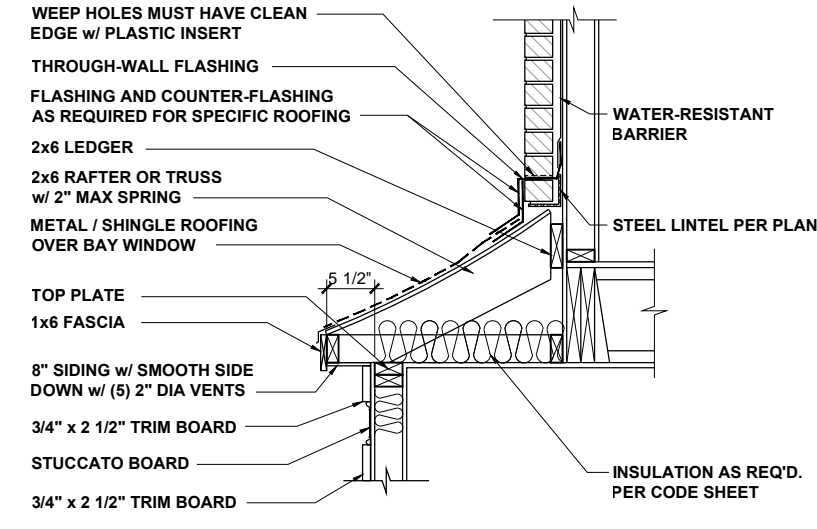
DATE: **11/11/2020** DRAWN BY: **AWC**

FRAMING DETAILS

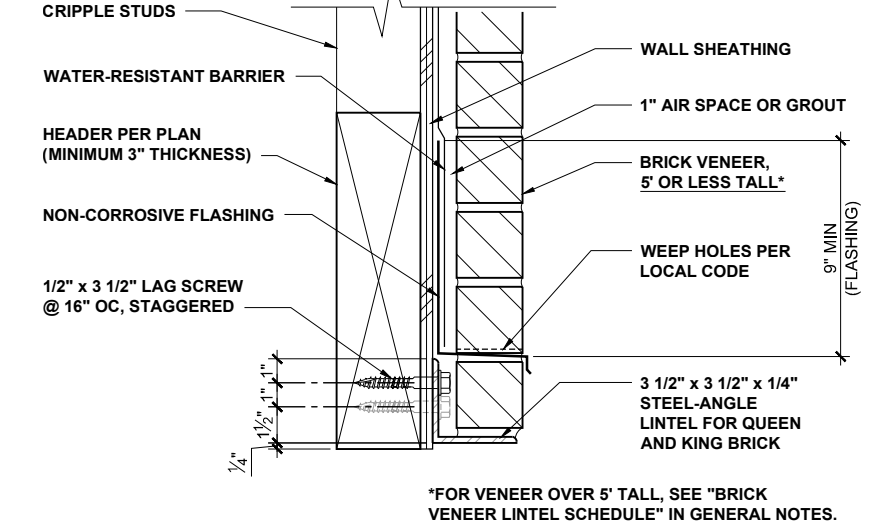
D5.0



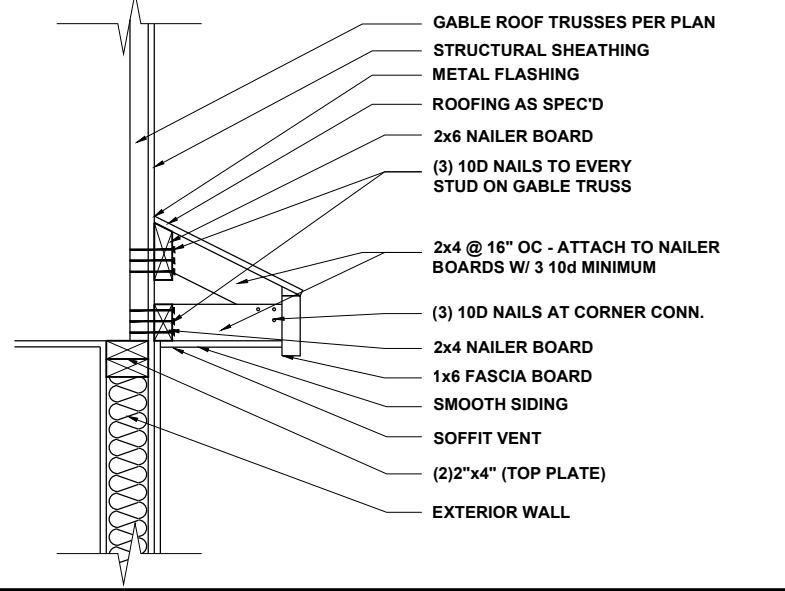
TYPICAL STAIR REQUIREMENTS 1/4" = 1'-0" **1**



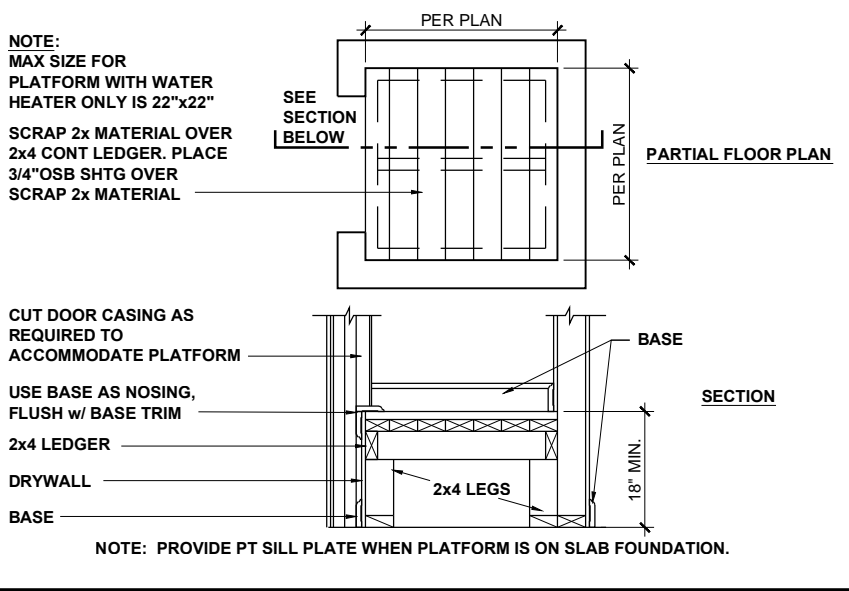
BAY ROOF 1/2" = 1'-0" **2**



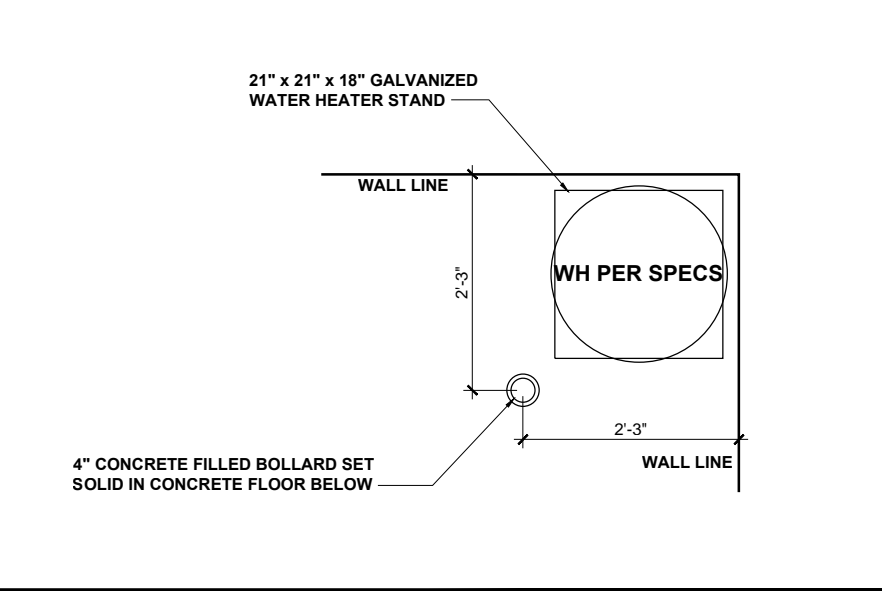
ALTERNATE LINTEL AT WIDE OPENING 1 1/2" = 1'-0" **3**



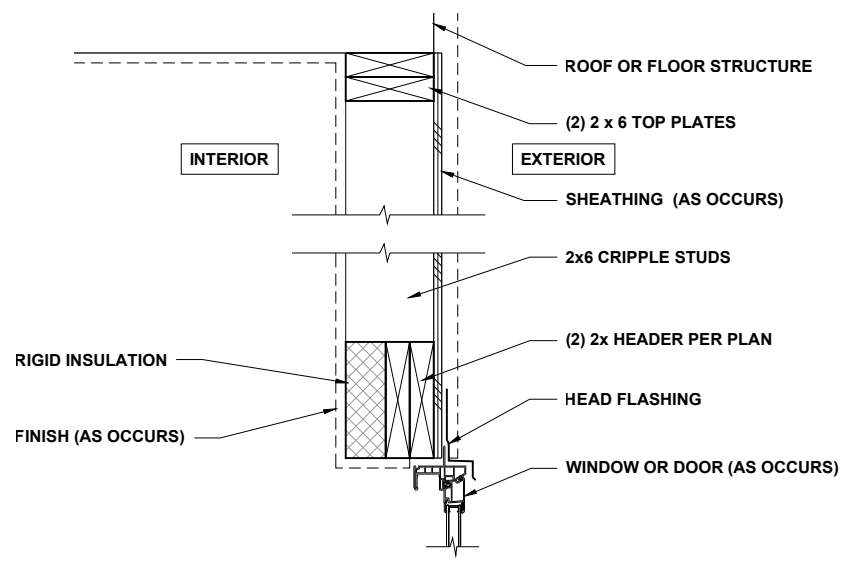
GABLE ROOF RETURN 3/4" = 1'-0" **4**



HVAC / WATER HEATER CLOSET 1/2" = 1'-0" **5**



WATER HTR PLATFORM IN GARAGE 1/2" = 1'-0" **6**



HEADER WITH INSULATION 1" = 1'-0" **7**



P-0961



JDSfaulkner PLLC, 8600 D JERSEY CT, RALEIGH, NC 27617 919.480.1075
 INFO@JDSfaulkner.COM; WWW.JDSfaulkner.COM
 JDSfaulkner PLLC IS NOT LIABLE FOR CHANGES MADE TO PLANS DUE TO CONSTRUCTION METHODS OR ANY CHANGES TO PLANS MADE IN THE FIELD BY CONTRACTOR OR BY OTHERS. DRAWINGS ARE PROVIDED TO CLIENT FOR THE LOT NUMBER, PROPERTY, OR AS A MASTER PLAN AS SPECIFIED ON TITLE SHEET. DIMENSIONS SHALL GOVERN OVER SCALE, AND CODE SHALL GOVERN OVER DIMENSIONS ON DRAWINGS.

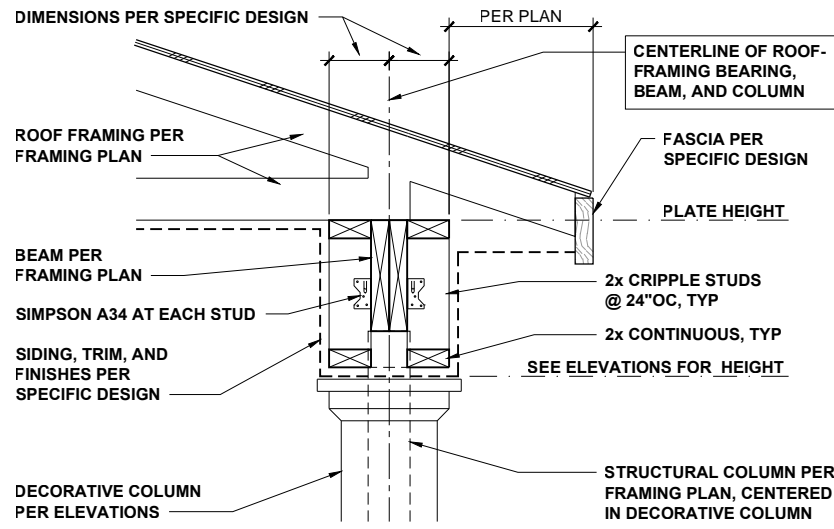
CLIENT: **MCKEE HOMES**
 PROJECT: **PALAZZO 2020 - RIGHT HAND**
 LOCATION: **NORTH CAROLINA**
 SCALE: 1/8" = 1'-0" FOR 11x17 PAPER, 1/4" = 1'-0" FOR 22x34 PAPER, OR AS NOTED

PROJECT NO.: **20902056**

DATE: **11/11/2020** DRAWN BY: **AWC**

FRAMING DETAILS

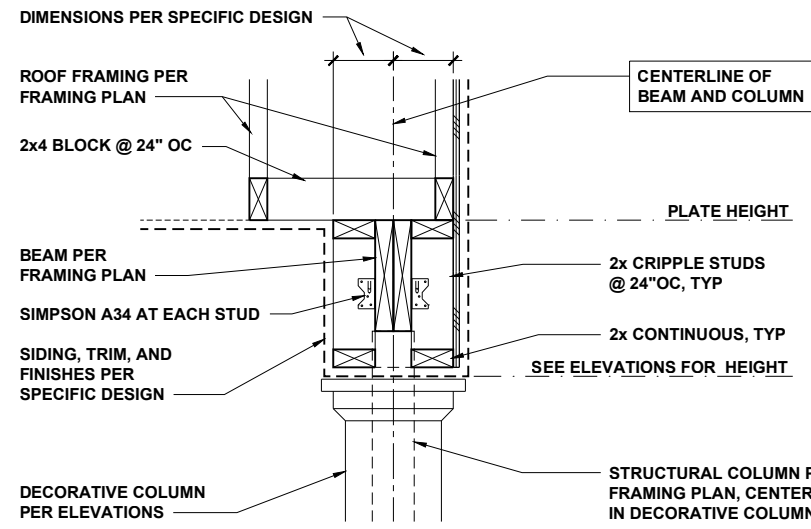
D6.0



COVERED PORCH EAVES

3/4" = 1'-0"

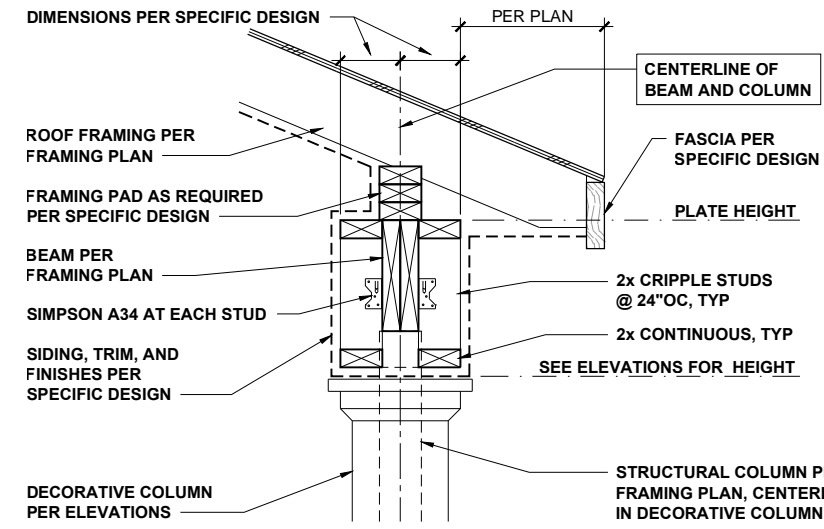
1



COVERED PORCH RAKE

3/4" = 1'-0"

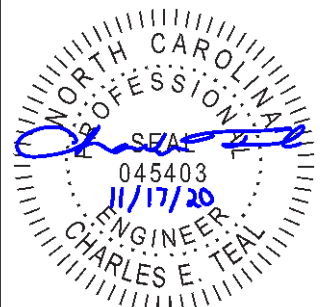
2



COVERED PORCH WITH SLOPING CLG

3/4" = 1'-0"

3



P-0961



JDSfaulkner PLLC IS NOT LIABLE FOR CHANGES MADE TO PLANS DUE TO CONSTRUCTION METHODS OR ANY CHANGES TO PLANS MADE IN THE FIELD BY CONTRACTOR OR BY OTHERS. DRAWINGS ARE PROVIDED TO CLIENT FOR THE LOT NUMBER, PROPERTY, OR AS A MASTER PLAN AS SPECIFIED ON TITLE SHEET. DIMENSIONS SHALL GOVERN OVER SCALE, AND CODE SHALL GOVERN OVER DIMENSIONS ON DRAWINGS.

CLIENT: **MCKEE HOMES**

PROJECT: **PALAZZO 2020 - RIGHT HAND**

LOCATION: **NORTH CAROLINA**

SCALE: 1/8" = 1'-0" FOR 11x17 PAPER, 1/4" = 1'-0" FOR 22x34 PAPER, OR AS NOTED

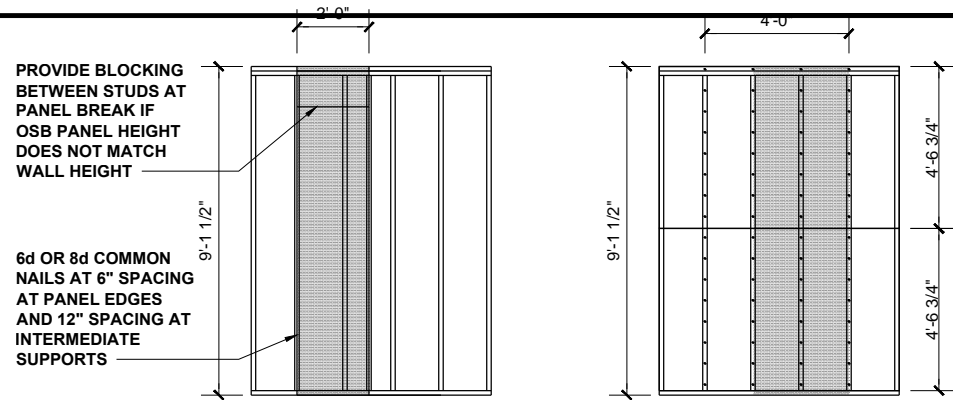
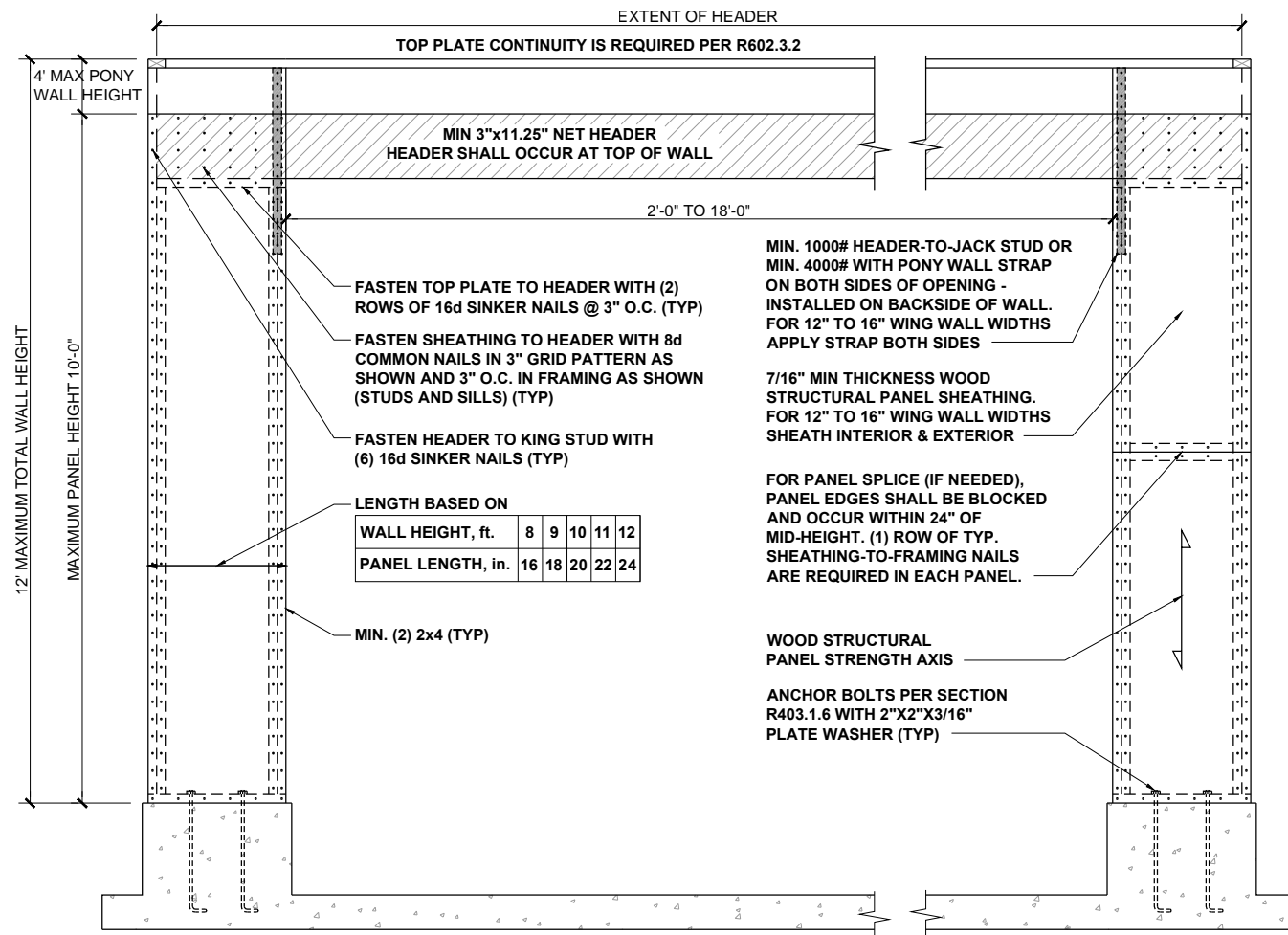
PROJECT NO.: **20902056**

DATE: **11/11/2020**

DRAWN BY: **AWC**

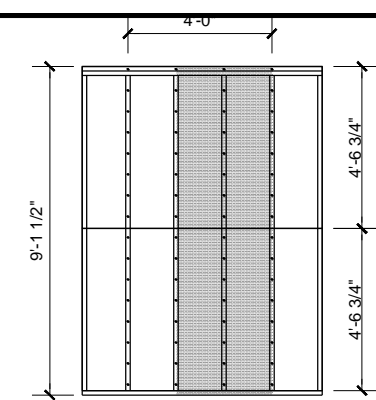
FRAMING DETAILS

D7.0



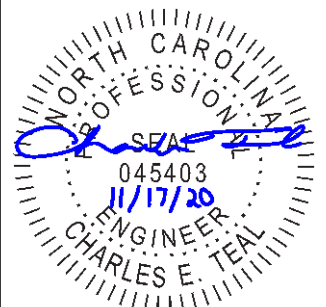
CS-WSP - WOOD STRUCTURAL PANEL (CONTINUOUSLY SHEATHED)

BRACED WALL PANEL 7/16" MIN. OSB SHEATHING ON ONE SIDE OF WALL. MINIMUM PANEL LENGTH 24".



GB - GYPSUM BOARD

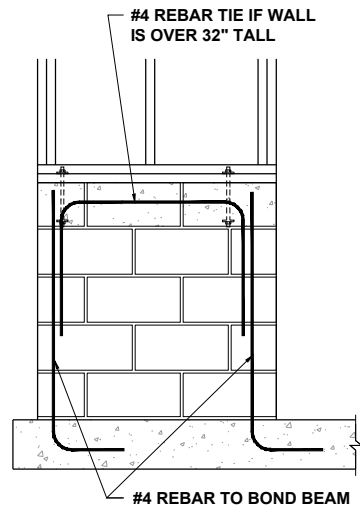
BRACED WALL PANEL 1/2" GYPSUM BOARD NAILED TO STUDS AT 7" O.C. USING 5d COOLER NAILS OR #6 SCREWS. MINIMUM PANEL LENGTH 48" WHEN APPLIED TO BOTH SIDES OF WALL AND 96" WHEN APPLIED TO ONE SIDE OF WALL.



P-0961



JDSfaulkner PLLC, 8600 TD JERSEY CT, RALEIGH, NC 27617 919.480.1075
INFO@JDSfaulkner.COM; WWW.JDSfaulkner.COM
JDSfaulkner PLLC IS NOT LIABLE FOR CHANGES MADE TO PLANS DUE TO CONSTRUCTION METHODS OR ANY CHANGES TO PLANS MADE IN THE FIELD BY CONTRACTOR OR BY OTHERS. DRAWINGS ARE PROVIDED TO CLIENT FOR THE LOT NUMBER, PROPERTY, OR AS A MASTER PLAN AS SPECIFIED ON TITLE SHEET. DIMENSIONS SHALL GOVERN OVER SCALE, AND CODE SHALL GOVERN OVER DIMENSIONS ON DRAWINGS.



GARAGE WING WALL AT CRAWL
SEE R602.10 - MASONRY STEM WALL SUPPORTING BRACED WALL PANELS FIGURES

METHOD PF: PORTAL FRAME PANEL CONSTRUCTION 3/8" = 1'-0" **1**

WALL SHEATHING
(2) STUDS @ CORNER
BOTTOM PLATE
FLOOR SHEATHING
SIMPSON MSTA15 HOLD DOWN
RIM BOARD

SIMPSON MSTA15 HOLD DOWN CAPACITY OF 970 POUNDS PER ANCHOR WITH (12) 10d NAILS. STRAP TO BE LOCATED AT EDGE OF BRACED WALL PANEL.

A) GARAGE DOOR CORNER
8d NAILS @ 12" O.C. (INTERMEDIATE SUPPORTS)
GYPSUM WALLBOARD (IN ACCORDANCE w/ CHAPTER 7)
OPT. BLOCKING FOR GYPSUM WALLBOARD
CONTINUOUS WOOD STRUCTURAL PANEL
MIN. 24" WOOD STRUCTURAL PANEL**
16d NAILS (2) ROWS @ 24" O.C.
OPT. NON-STRUCTURAL FILLER PANEL
8d NAILS @ 6" O.C. (PANEL EDGES)

B) GARAGE T-WALL PORTAL FRAMING 16"-12"
GYPSUM WALLBOARD (IN ACCORDANCE w/ CHAPTER 7)
NOTCH 7/16" OSB FOR ANCHOR INSPECTION
ANCHOR BOLTS
CONTINUOUS WOOD STRUCTURAL PANEL
12" MIN

C) GARAGE DOOR CORNER PORTAL FRAMING 16"-12"
8d NAILS @ 12" O.C. (INTERMEDIATE SUPPORTS)
GYPSUM WALLBOARD (IN ACCORDANCE w/ CHAPTER 7)
NOTCH 7/16" OSB FOR ANCHOR INSPECTION
ANCHOR BOLTS
CONTINUOUS WOOD STRUCTURAL PANEL
12" MIN
16d NAILS (2) ROWS @ 24" O.C.
ANCOR BOLTS
8d NAILS @ 6" O.C. (PANEL EDGES)

D) ALT. INSIDE CORNER DETAIL
8d NAILS @ 6" OC (PANEL EDGES)
16d NAILS @ 12" OC
8d NAILS @ 12" OC (INTERMEDIATE SUPPORTS)
GYPSUM WALLBOARD (IN ACCORDANCE w/ CHAPTER 7)
CONTINUOUS WOOD STRUCTURAL PANEL
MIN. 24" WOOD STRUCTURAL PANEL**

BRACED WALL HOLD-DOWN NTS **3**

BRACING METHODS 3/16" = 1'-0" **2**

E) ALT. OUTSIDE CORNER DETAIL
GYPSUM WALLBOARD (IN ACCORDANCE w/ CHAPTER 7)
OPT. BLOCKING FOR GYPSUM WALLBOARD
CONTINUOUS WOOD STRUCTURAL PANEL
8d NAILS @ 12" OC (INTERMEDIATE SUPPORTS)
MIN. 24" WOOD STRUCTURAL PANEL**
16d NAILS (2) ROWS @ 24" OC
OPT. NON-STRUCTURAL FILLER PANEL
8d NAILS @ 6" OC (PANEL EDGES)

** IN LIEU OF THE CORNER RETURN, A HOLD-DOWN DEVICE WITH A MINIMUM UPLIFT DESIGN VALUE OF 800# SHALL BE FASTENED TO THE CORNER STUD AND TO THE FOUNDATION OR FRAMING BELOW.

CORNER FRAMING FOR CONTINUOUS SHEATHING 1/4" = 1'-0" **4**

CLIENT: **MCKEE HOMES**
PROJECT: **PALAZZO 2020 - RIGHT HAND**
LOCATION: **NORTH CAROLINA**
SCALE: 1/8" = 1'-0" FOR 11x17 PAPER, 1/4" = 1'-0" FOR 22x34 PAPER, OR AS NOTED

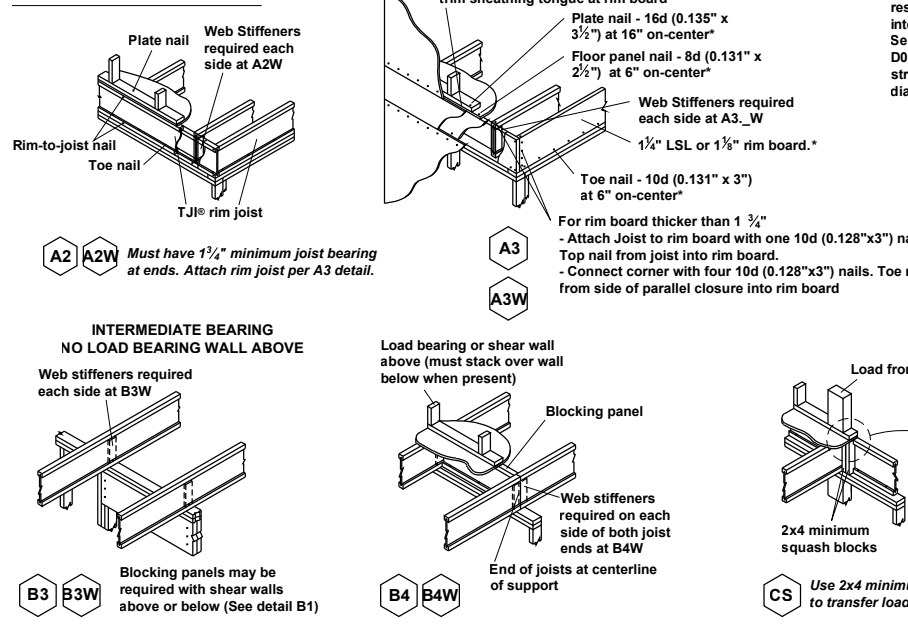
PROJECT NO.: **20902056**

DATE: **11/11/2020** DRAWN BY: **AWC**

WALL BRACING DETAILS

D8.0

JOIST DETAILS



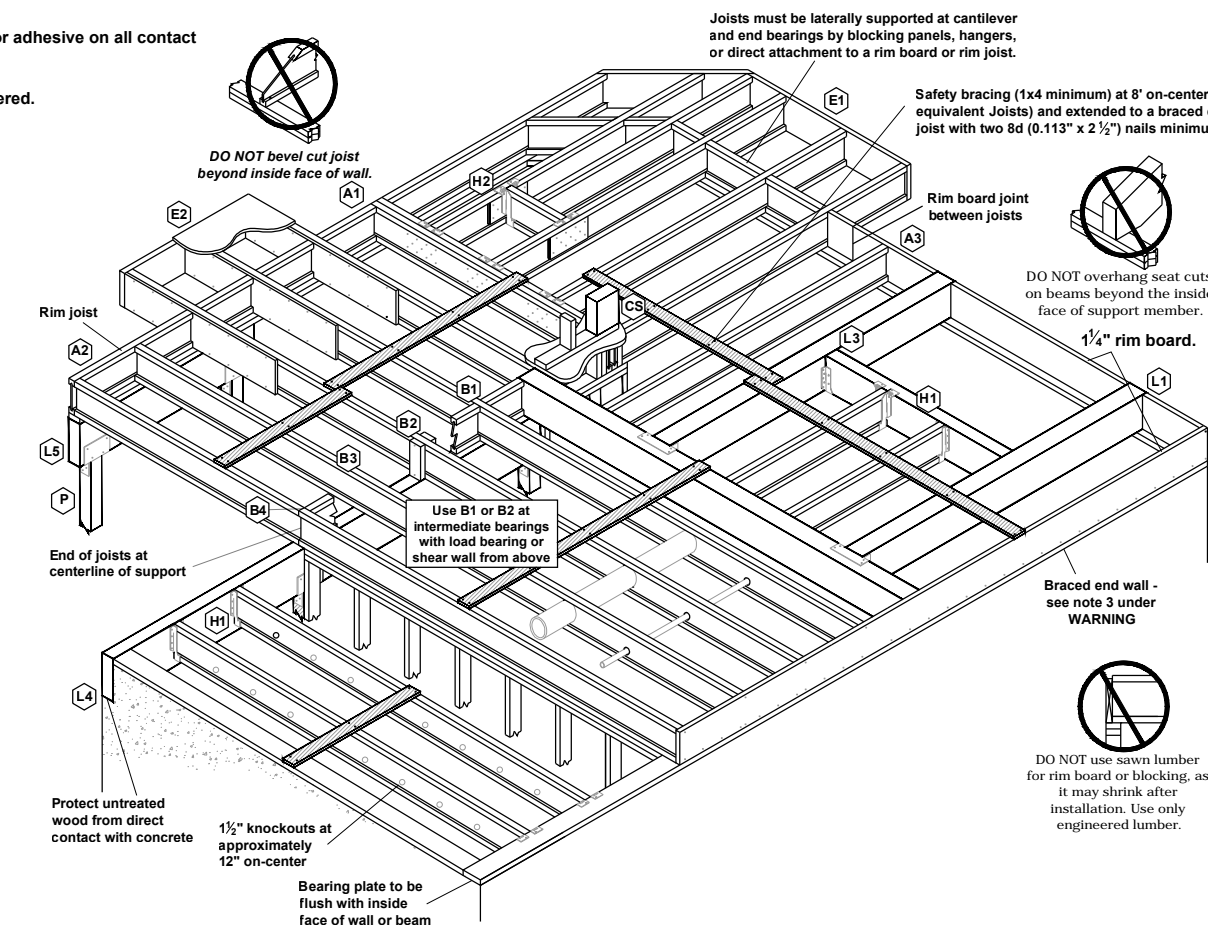
FASTENING of FLOOR PANELS

Guidelines for Closest On-Center Spacing per Row

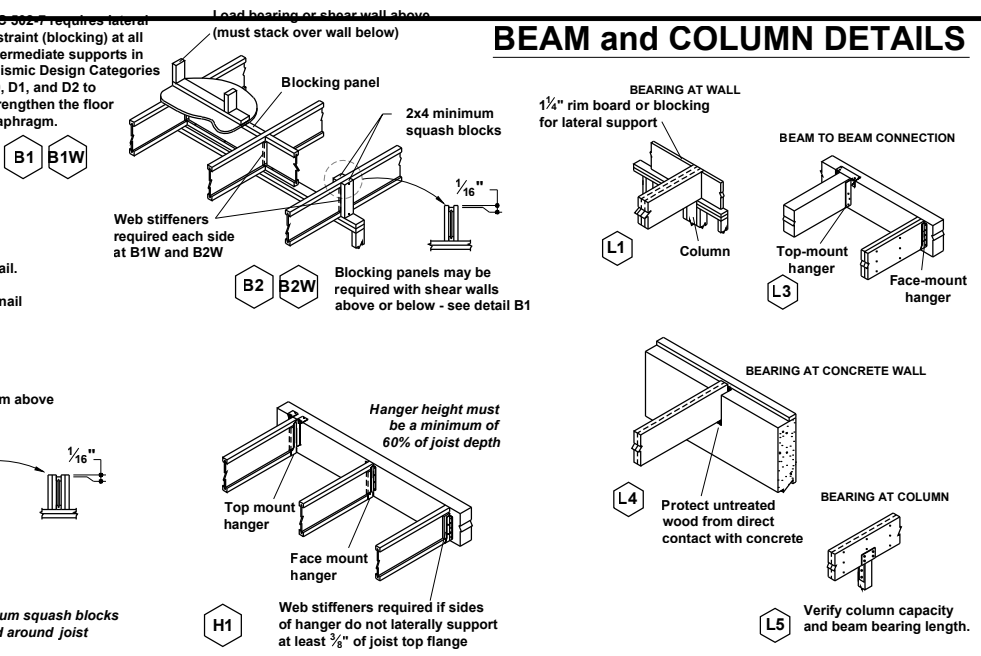
| Nail Size | I-JOIST * | | Rim Board | 1 1/2" LSL or wider | LVL | PSL |
|--|-----------------------|-----------------|------------|---------------------|-----|-----|
| | 110, 210, and 230 EQ. | 360 and 560 EQ. | 1 1/4" LSL | | | |
| 8d (0.131" x 2 1/2") | 4" | 3" | 4" | 3" | 3" | 3" |
| 10d (0.148" x 3"), 12d (0.148" x 3 1/4") | 4" | 4" | 4" | 4" | 4" | 4" |
| 16d (0.162" x 3 1/2") | 6" | 6" | 6"(2) | 6"(2) | 8" | 6" |

- (1) One row of fasteners permitted (two at abutting panel edges) for diaphragms. Stagger nails when using 4" on-center spacing and maintain 3/8" joist and panel edge distance. For other applications, multiple rows of fasteners are permitted if the rows are offset at least 1/2" and staggered.
- (2) Can be reduced to 4" on-center if nail penetration into the narrow edge is no more than 1 3/8" (to avoid splitting).
- Recommended nailing is 12" on-center in field and 6" on-center along panel edge. Fastening requirements on engineered drawings supersede recommendations listed above.

- Recommended use of a non-polyurethane subfloor adhesive on all contact points between panels and floor framing.
- Nailing rows must be offset at least 1/2" and staggered.
- 14 ga. staples may be substituted for 8d (0.113" x 2 1/2") nails if minimum penetration of 1" into the joist or rim board is achieved.
- Maximum spacing of nails is 18" on-center for joists.



BEAM and COLUMN DETAILS



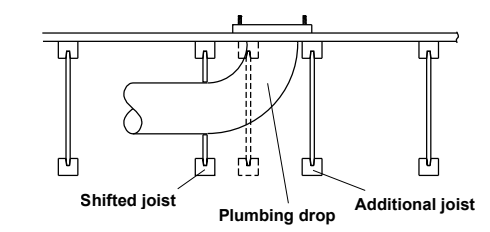
FILLER and BACKER BLOCK SIZES * SEE I-JOIST EQUIVALENCY CHART

| I-Joists | 110 EQ. * | 210 EQ. * | 230 or 360 EQ. * | 560 EQ. * |
|-------------------------------|-------------------|---|---|----------------------------|
| Depth | 9 1/2" or 11 1/8" | 9 1/2" or 11 1/8" | 9 1/2" or 11 1/8" | 11 7/8", 14" or 18" or 20" |
| Filler Block (1) | 2x6 2x8 | 2x6 + 3/8" sheathing 2x8 + 3/8" sheathing | 2x6 + 1/2" sheathing 2x8 + 1/2" sheathing | Two 2x6 Two 2x8 Two 2x12 |
| Cantilever Filler (Detail E4) | 2x6 4'-0" long | 2x6 + 3/8" sheathing 2x10 + 3/8" sheathing 4'-0" long | 2x6 + 1/2" sheathing 2x10 + 1/2" sheathing 4'-0" long | Not applicable |
| Backer Block (1) | 5/8" or 3/4" | 3/4" or 7/8" | 1" Net | 2x6 2x8 2x12 |

(1) If necessary, increase filler and backer block height for face mount hangers and maintain 1/8" gap at top of joist; see detail W. Filler and backer block lengths should accommodate required nailing without splitting (12" minimum for backer blocks and 24" minimum for filler blocks).

INSTALLATION TIPS

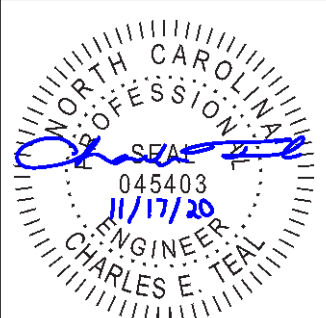
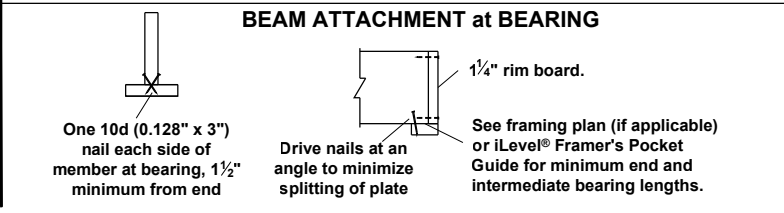
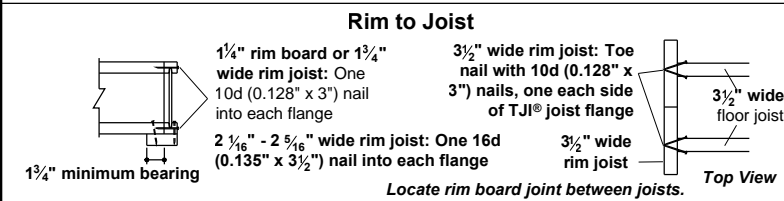
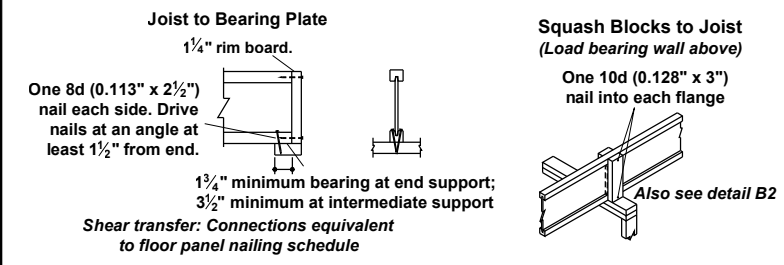
- Subfloor adhesive will improve floor performance, but may not be required.
- Squash blocks and blocking panels carry stacked vertical loads (details B1 and B2). Packing out the web of a joist (with web stiffeners) is not a substitute for squash blocks or blocking panels.
- When joists are doubled at non-load bearing parallel partitions, space joists apart the width of the wall for plumbing or HVAC.
- Additional joist at plumbing drop (see detail).



* I-JOIST EQUIVALENCY CHART

| Depth | EQUIVALENT IN SPAN AND SPACING | | |
|---------|--------------------------------|---------------|----------------|
| | Mfrt & Series | Mfrt & Series | Mfrt & Series |
| 9 1/4" | TJI - 110 | BCI 4500 | |
| | TJI - 210 | BCI 5000 | |
| | TJI - 230 | BCI 6000 | EverEdge 20 |
| 11 7/8" | TJI - 110 | BCI 4500 | |
| | TJI - 210 | BCI 5000 | |
| | TJI - 230 | BCI 6000 | EverEdge 20 |
| 14" | TJI - 360 | BCI 60'S | EverEdge 30 |
| | TJI - 560 | BCI 90'S | EverEdge 50/60 |
| | TJI - 110 | BCI 4500 | |
| 16" | TJI - 210 | BCI 5000 | |
| | TJI - 230 | BCI 6000 | EverEdge 20 |
| | TJI - 360 | BCI 60'S | EverEdge 30 |
| | TJI - 560 | BCI 90'S | EverEdge 50/60 |

JOIST NAILING REQUIREMENTS at BEARING



JDSfaulkner
engineering + design + consulting

PROJECT: PALAZZO 2020 - RIGHT HAND
LOCATION: NORTH CAROLINA

CLIENT: MCKEE HOMES

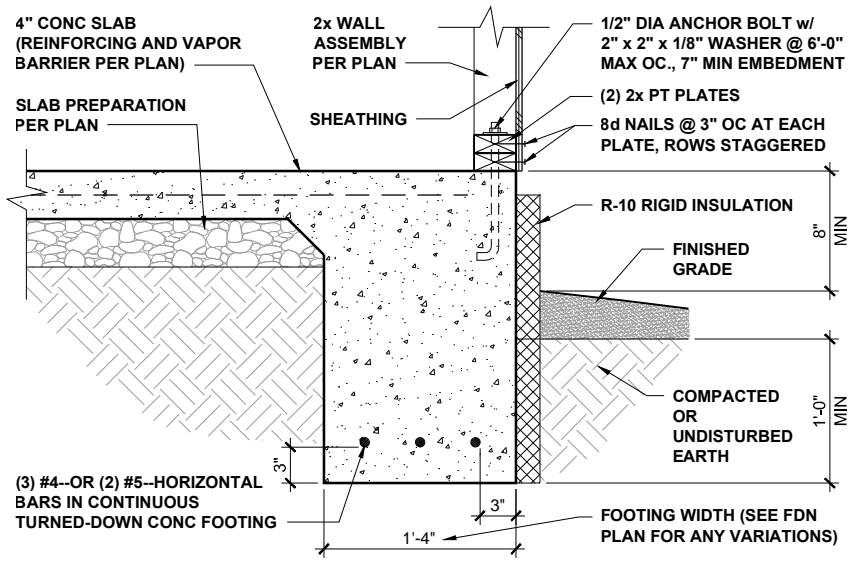
PROJECT NO.: 20902056
DATE: 11/11/2020
DRAWN BY: AWC

SCALE: 1/8" = 1'-0" FOR 11x17 PAPER, 1/4" = 1'-0" FOR 24x34 PAPER, OR AS NOTED

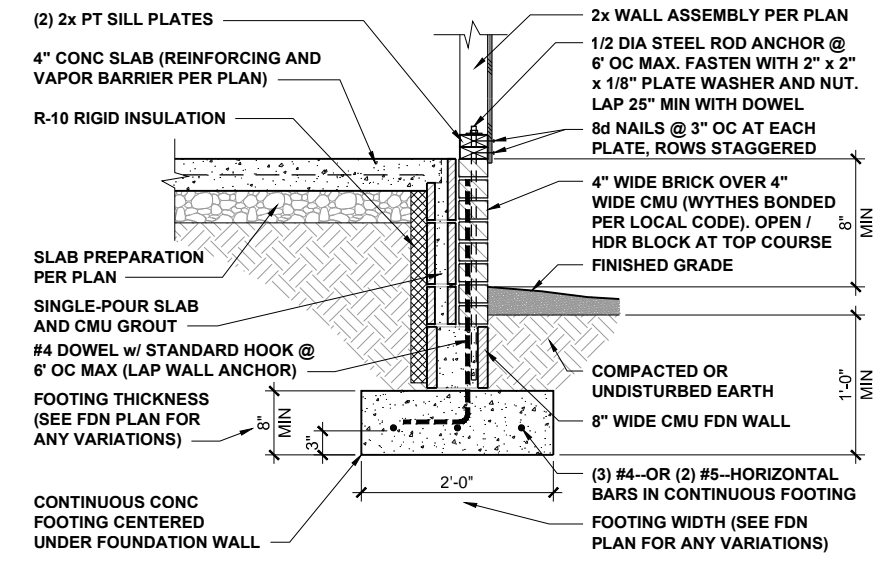
PROJECT NO.: 20902056
DATE: 11/11/2020
DRAWN BY: AWC

DETAILS

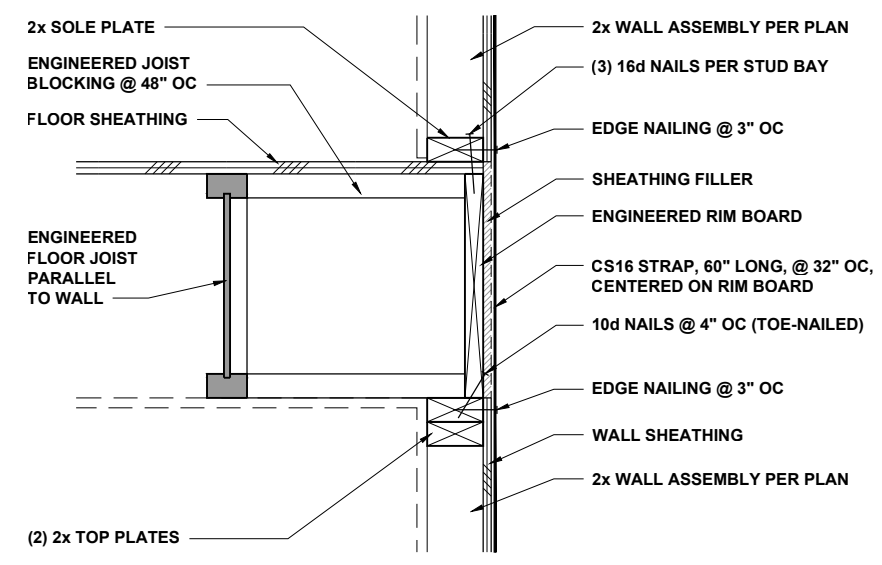
D9.0



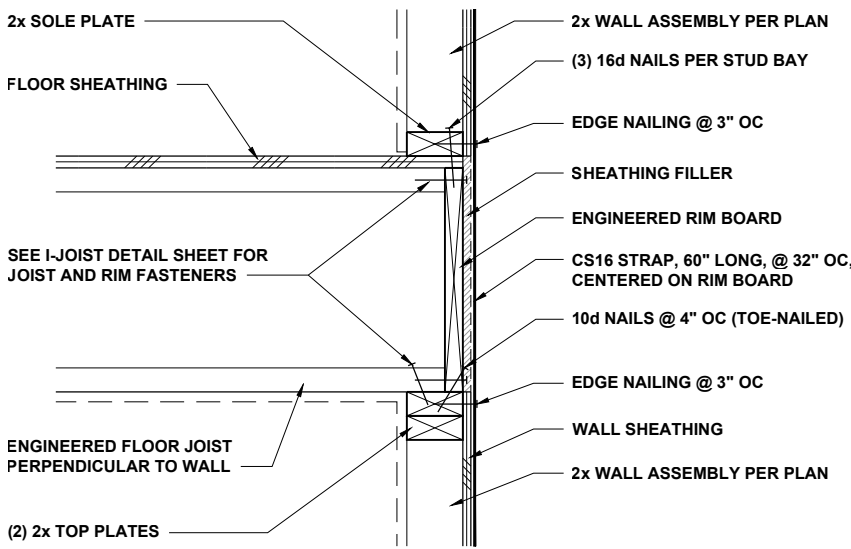
TURNED-DOWN CONC SLAB FOOTING 3/4" = 1'-0" **1**



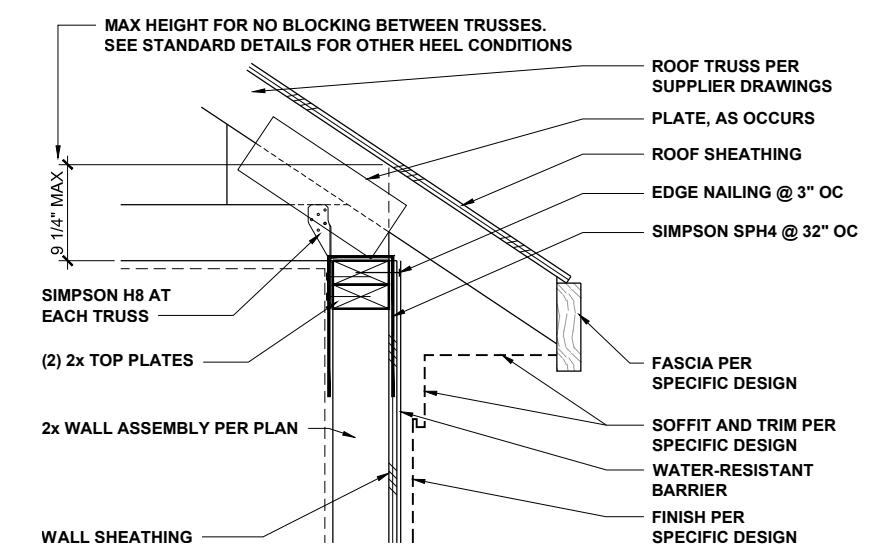
MASONRY STEM WALL FOUNDATION 1/2" = 1'-0" **2**



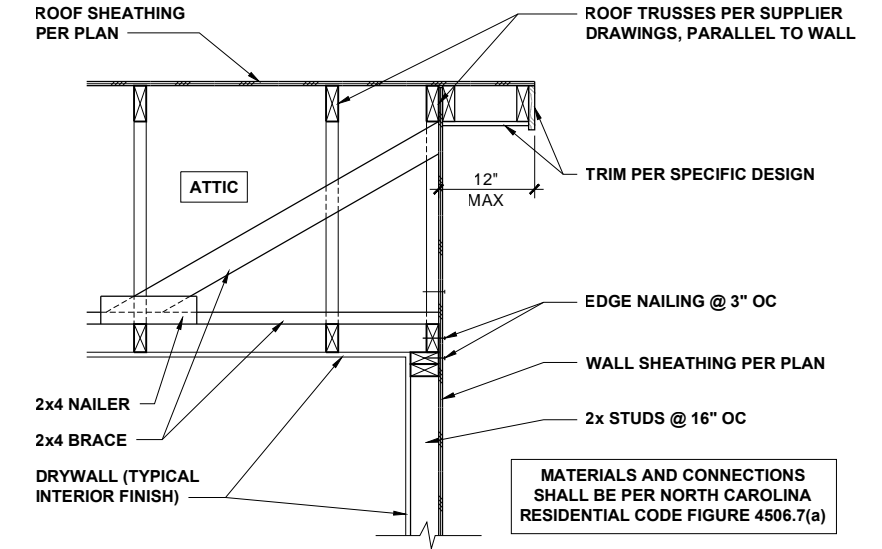
FLOOR JOISTS PARALLEL TO WALL 1" = 1'-0" **3**



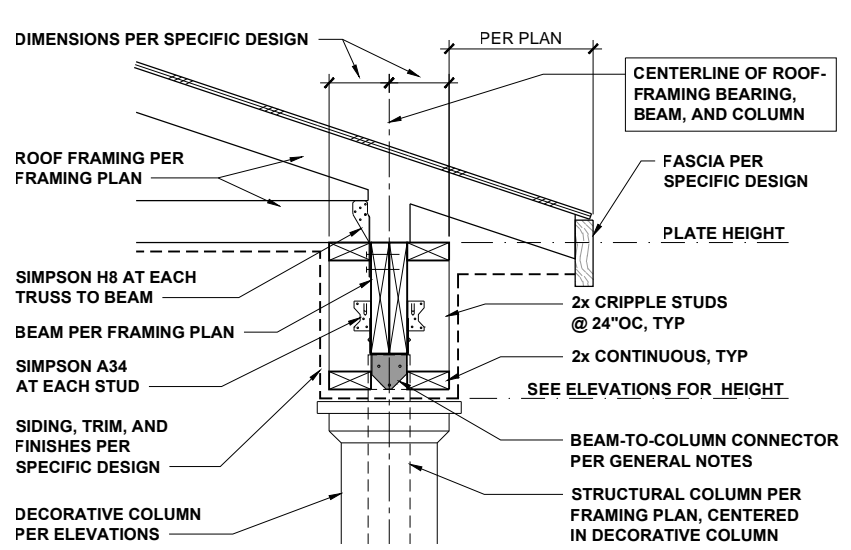
FLOOR JOISTS PERP TO WALL 1" = 1'-0" **4**



TYPICAL ROOF AT WALL 1" = 1'-0" **5**



WALL BRACING AT RAKE CONDITION 1/2" = 1'-0" **6**



PORCH ROOF AT BEAM 3/4" = 1'-0" **7**



P-0961

JDSfaulkner
 engineering + design + consulting
 JDSfaulkner PLLC, 8600 TD JERSEY CT, RALEIGH, NC 27617 919.480.1075
 INFO@JDSfaulkner.COM; WWW.JDSfaulkner.COM

JDSfaulkner PLLC IS NOT LIABLE FOR CHANGES MADE TO PLANS DUE TO THE FIELD CONSTRUCTION METHODS OR ANY CHANGES TO PLANS MADE IN THE FIELD BY CONTRACTOR OR BY OTHERS. DRAWINGS ARE PROVIDED TO CLIENT FOR THE LOT NUMBER, PROPERTY, OR AS A MASTER PLAN AS SPECIFIED ON TITLE SHEET. DIMENSIONS SHALL GOVERN OVER SCALE, AND CODE SHALL GOVERN OVER DIMENSIONS ON DRAWINGS.

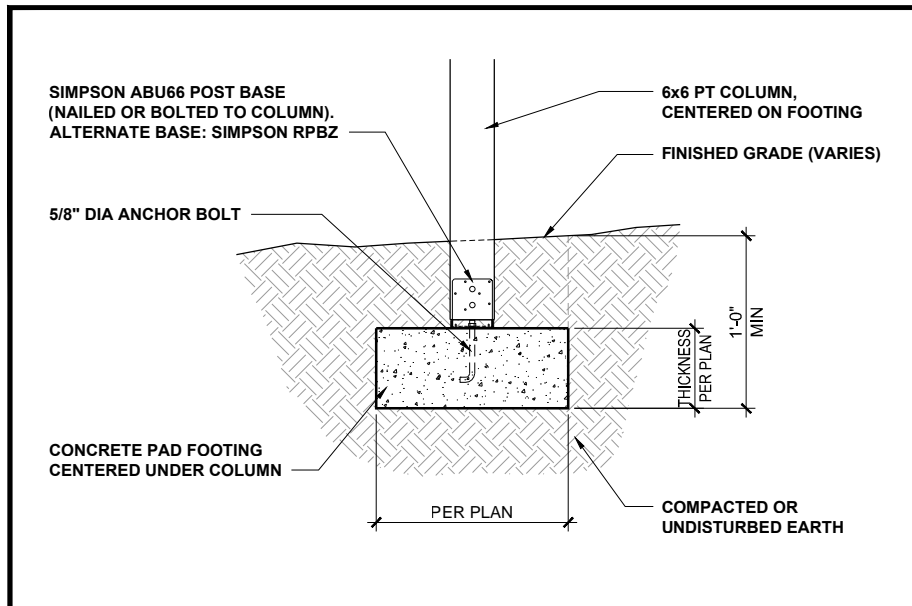
CLIENT: **MCKEE HOMES**
 PROJECT: **PALAZZO 2020 - RIGHT HAND**
 LOCATION: **NORTH CAROLINA**
 SCALE: 1/8" = 1'-0" FOR 11x17 PAPER, 1/4" = 1'-0" FOR 22x34 PAPER, OR AS NOTED

PROJECT NO.: **20902056**

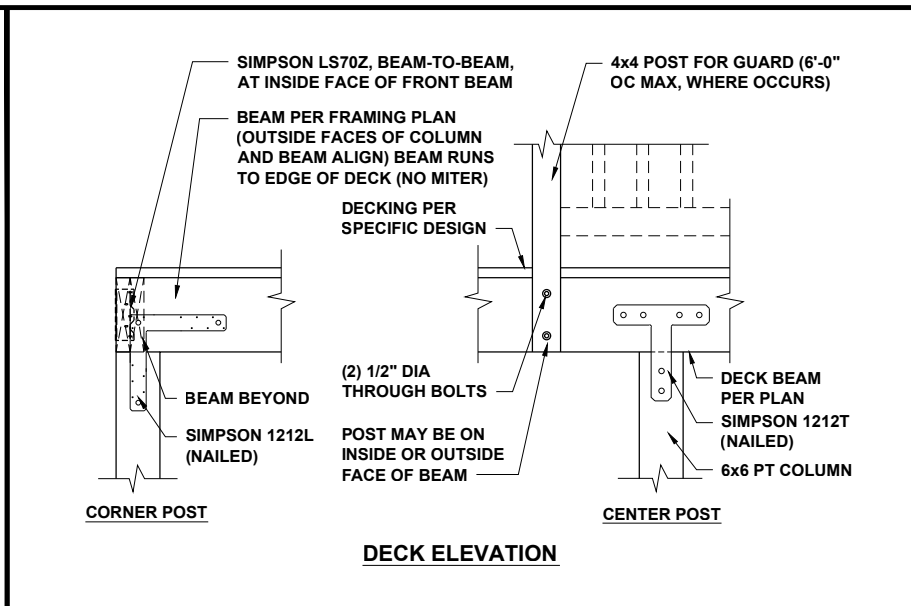
DATE: **11/11/2020** DRAWN BY: **AWC**

HIGH-WIND ZONE DETAILS

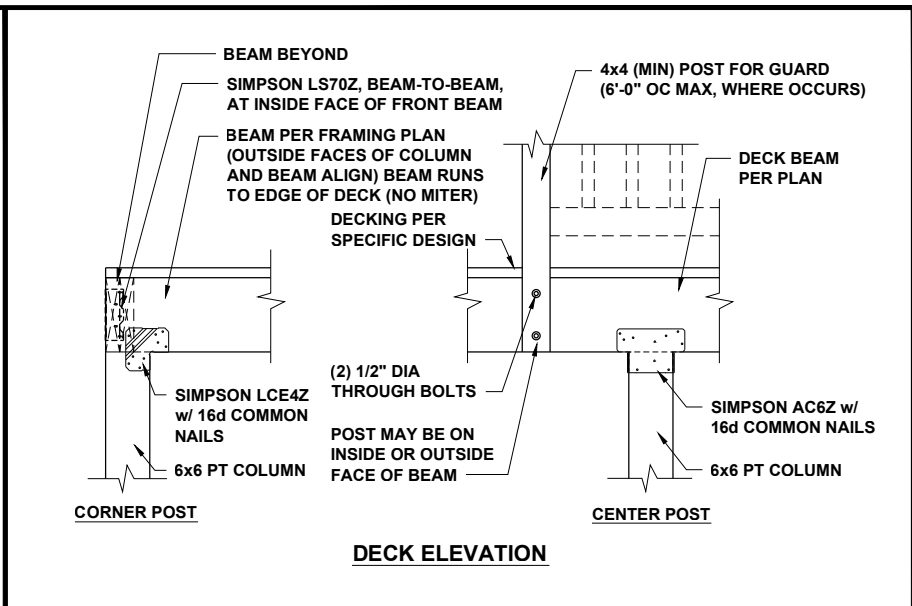
D10.0



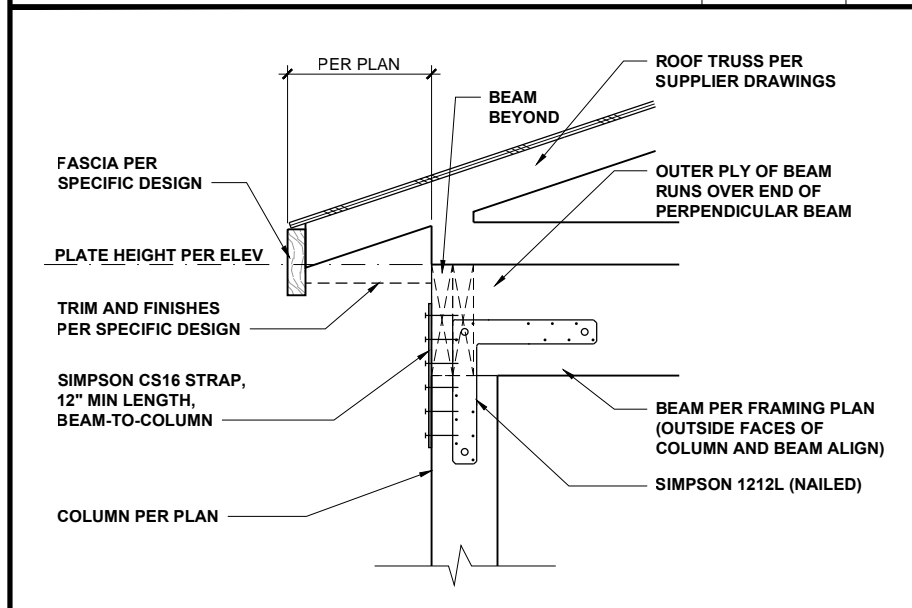
DECK COLUMN AND FOOTING 1/2" = 1'-0" **1**



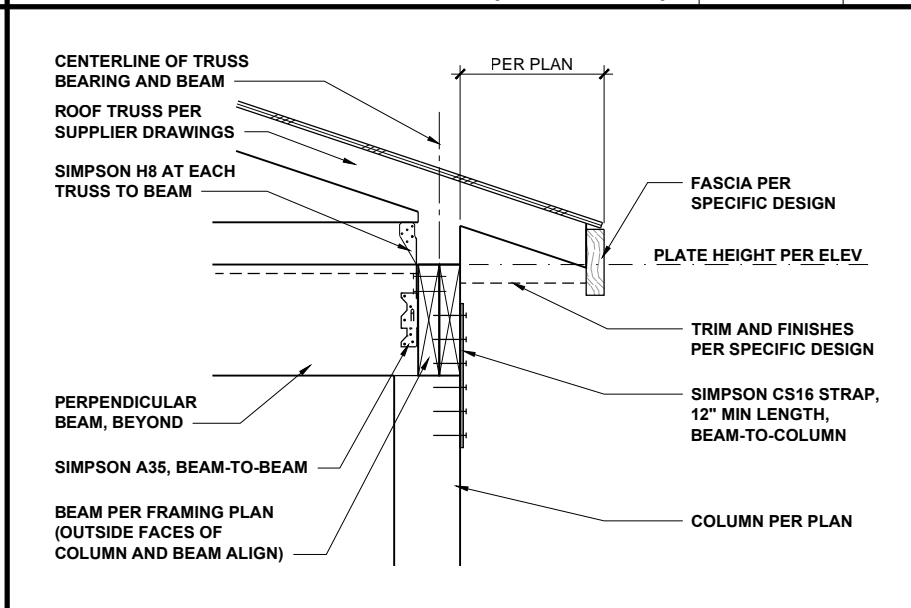
DECK CONNECTIONS (OPTION 1) 1/2" = 1'-0" **2**



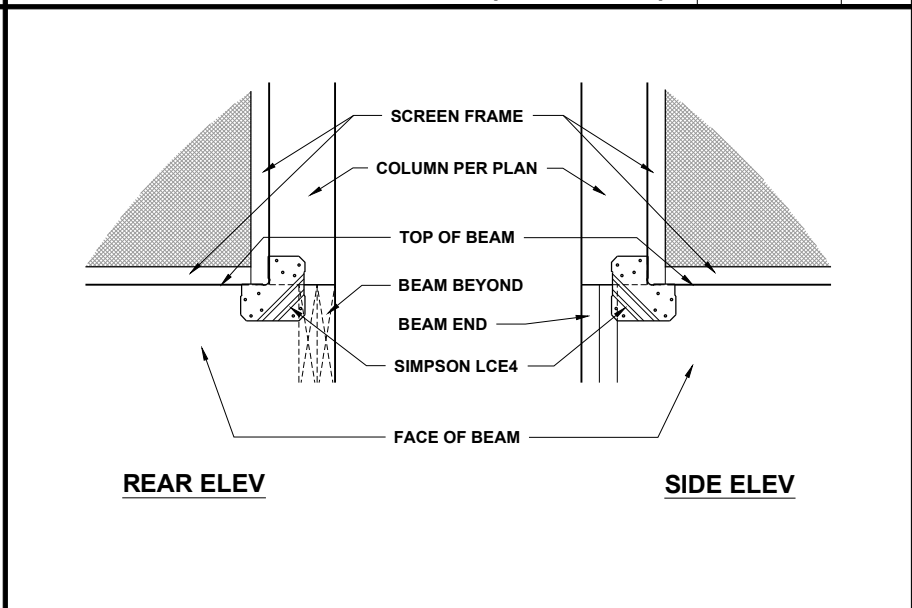
DECK CONNECTIONS (OPTION 2) 1/2" = 1'-0" **3**



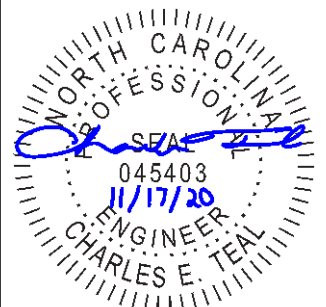
PORCH ROOF AND COLUMN 3/4" = 1'-0" **4**



PORCH ROOF BEAM SECTION 3/4" = 1'-0" **5**



SCREENED PORCH CONNECTIONS 3/4" = 1'-0" **6**



P-0961

JDSfaulkner
 engineering + design + consulting
 JDSfaulkner PLLC, 8600 TD JERSEY CT, RALEIGH, NC 27617 919.480.1075
 INFO@JDSfaulkner.COM; WWW.JDSfaulkner.COM

JDSfaulkner PLLC IS NOT LIABLE FOR CHANGES MADE TO PLANS DUE TO CONSTRUCTION METHODS OR ANY CHANGES TO PLANS MADE IN THE FIELD BY CONTRACTOR OR BY OTHERS. DRAWINGS ARE PROVIDED TO CLIENT FOR THE LOT NUMBER, PROPERTY, OR AS A MASTER PLAN AS SPECIFIED ON TITLE SHEET. DIMENSIONS SHALL GOVERN OVER SCALE, AND CODE SHALL GOVERN OVER DIMENSIONS ON DRAWINGS.

CLIENT: **MCKEE HOMES**
 PROJECT: **PALAZZO 2020 - RIGHT HAND**
 LOCATION: **NORTH CAROLINA**
 SCALE: 1/8" = 1'-0" FOR 11x17 PAPER, 1/4" = 1'-0" FOR 24x36 PAPER, OR AS NOTED

PROJECT NO.: **20902056**

DATE: **11/11/2020** DRAWN BY: **AWC**

HIGH-WIND ZONE DETAILS
 DECK AND COVERED PORCH

D11.0