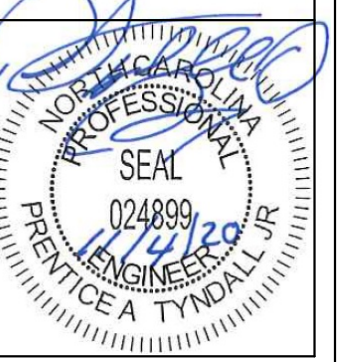
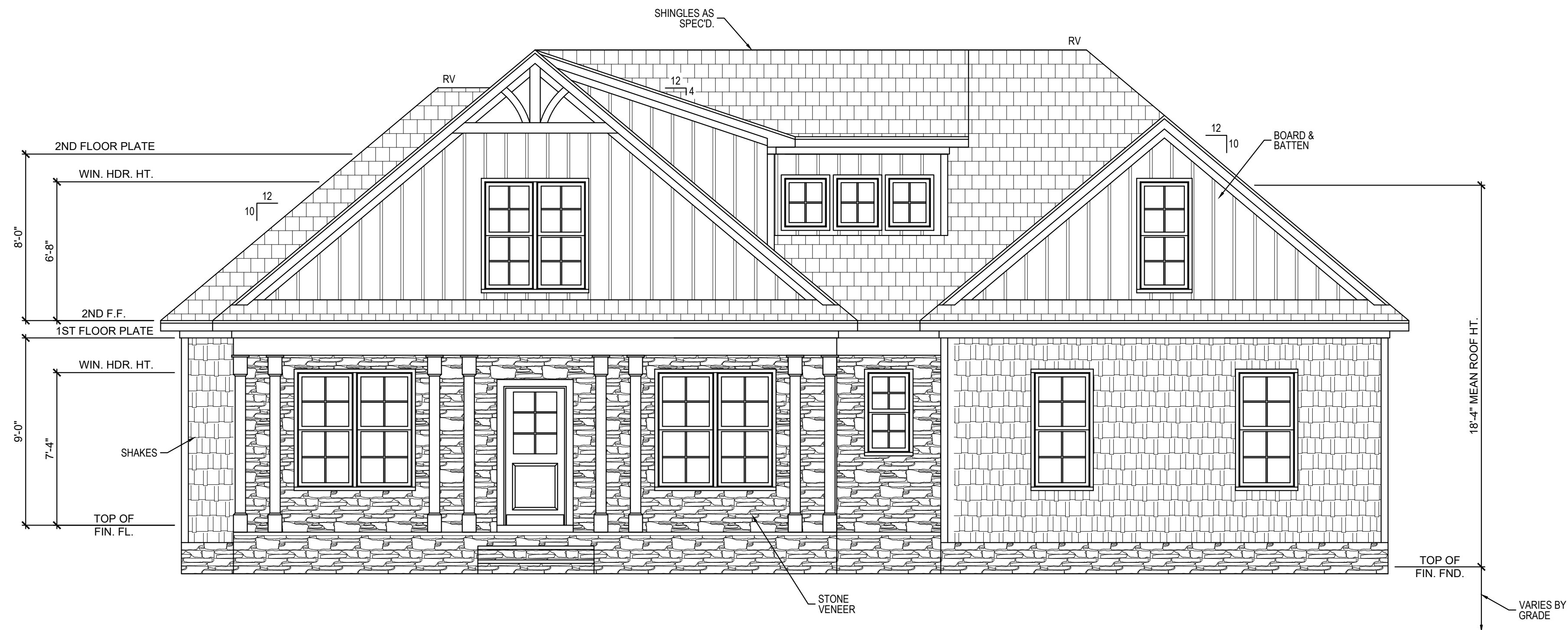


*Engineers seal does not include construction means, methods, techniques, sequences, procedures or safety precautions.
 Any deviations or discrepancies on plans are to be brought to the immediate attention of Tyndall Engineering & Design, P.A. Failure to do so will void Tyndall Engineering & Design, P.A. liability.
 *Please review these documents carefully. Tyndall Engineering & Design, P.A. will interpret that all dimensions, recommendations, etc. presented in these documents were deemed acceptable once construction begins.



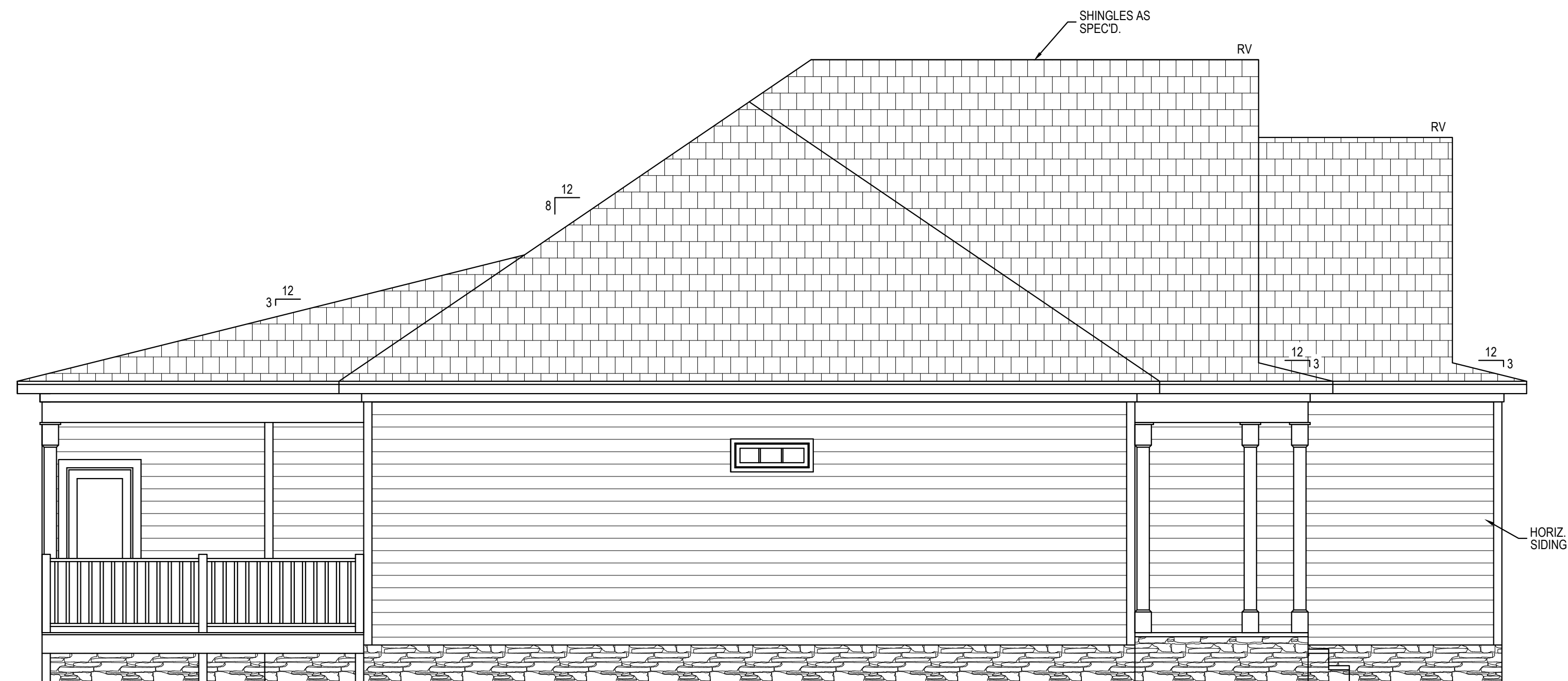
TYNDALL
 ENGINEERING & DESIGN, P.A.
 189 Blywood Drive • Garner, NC 27530 • 919.775.4444
 www.tyndallengineering.com



FRONT ELEVATION

1/4" = 1'-0"

*ALL LUMBER TO BE #2 SYP, UNO



LEFT ELEVATION

1/4" = 1'-0"

Client: **JON TAYLOR**

Plan: **ASPEN RIDGE PLAN**

ELEVATIONS

Project #: 2001-010222
 Date: 6/3/20
 Drawn/Design By: IJE
 DWG. Checked By: PAT
 Scale: SEE PLAN

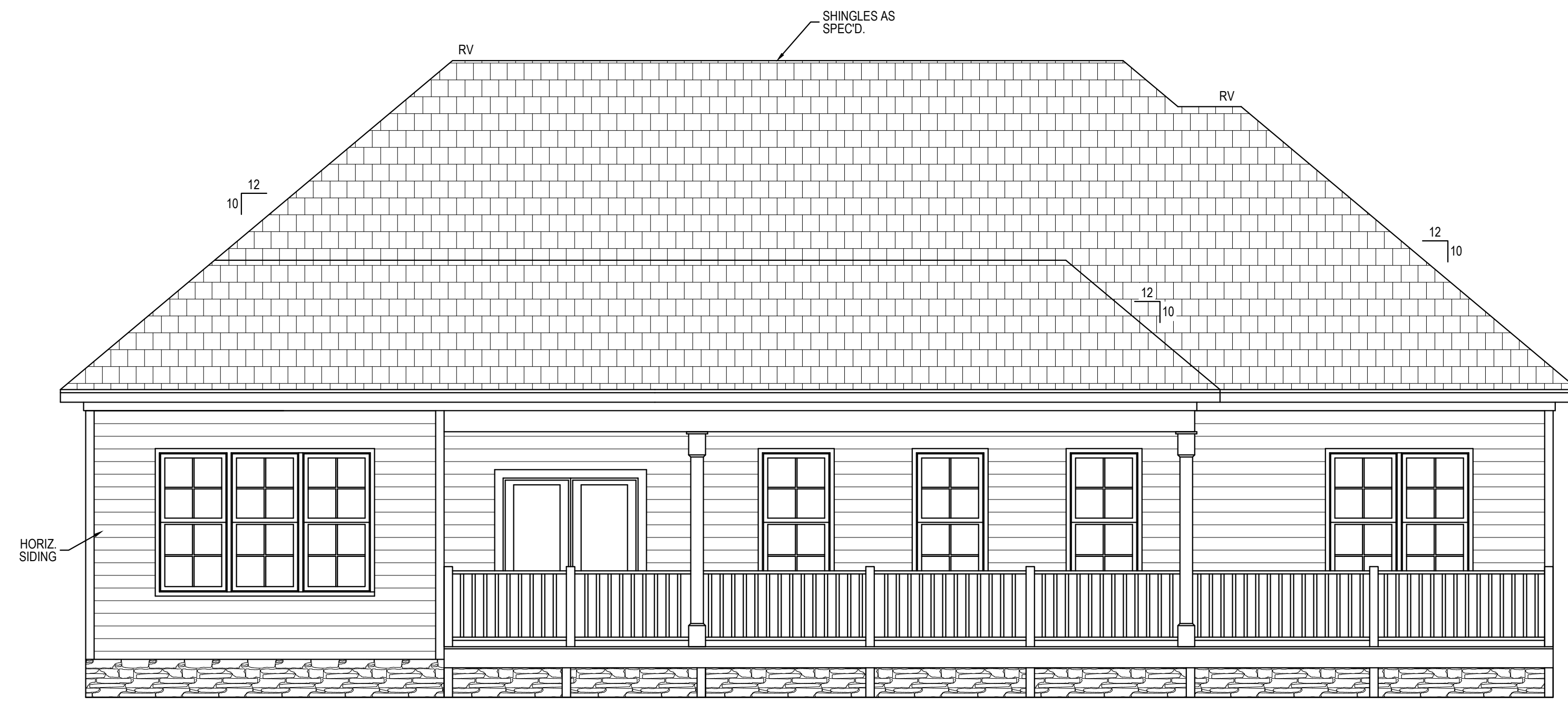
REVISIONS

No.	Date	Remarks
△		
△		
△		
△		

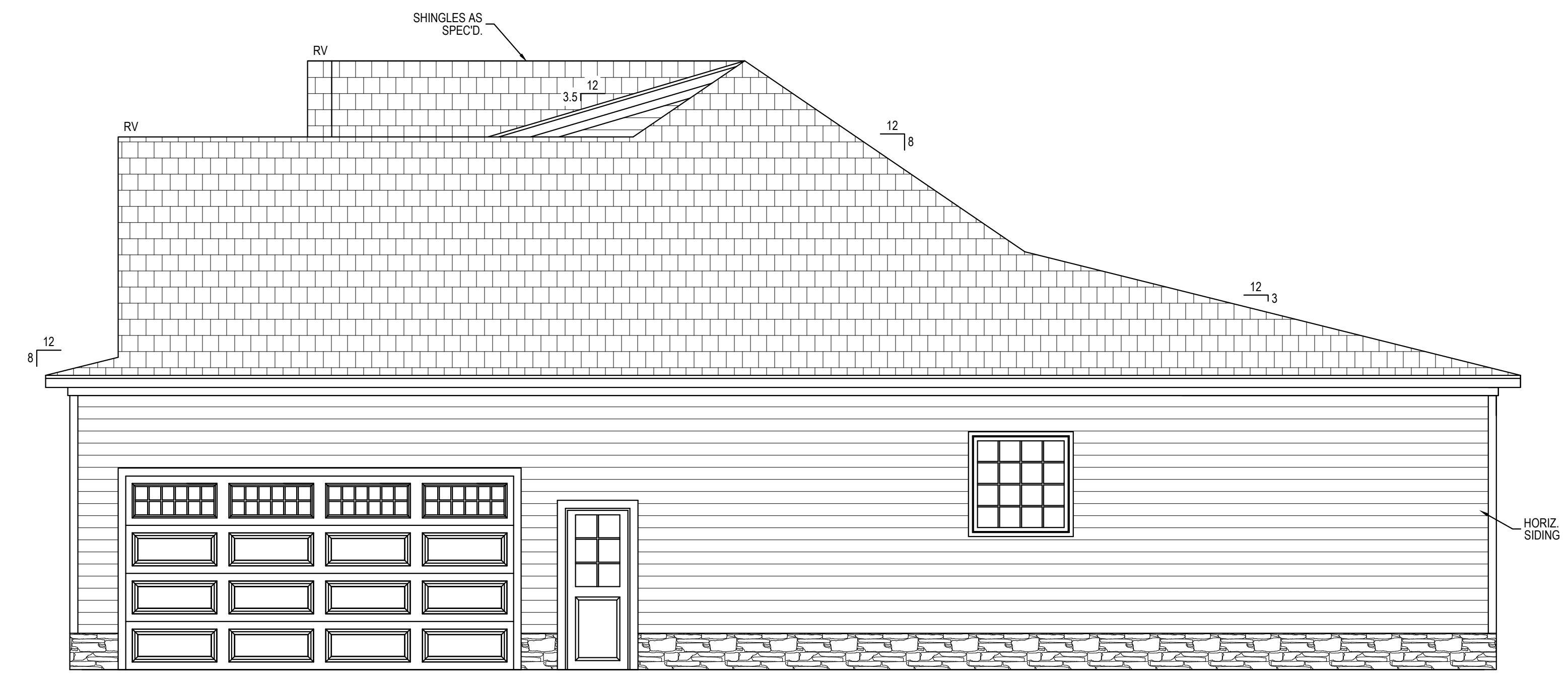
Sheet Number

1

FILENAME: Z:\RESIDENTIAL ENVS\2001 STRUCTURAL PROJECTS\2001-010222 - JON TAYLOR - ASPEN RIDGE PLAN\2001-010222.dwg - JON TAYLOR - ASPEN RIDGE PLAN\2001-010222.dwg - CHRIS TAYLOR\2001-010222.dwg - JON TAYLOR - ASPEN RIDGE PLAN\2001-010222.dwg - JON TAYLOR - ASPEN RIDGE PLAN\2001-010222.dwg

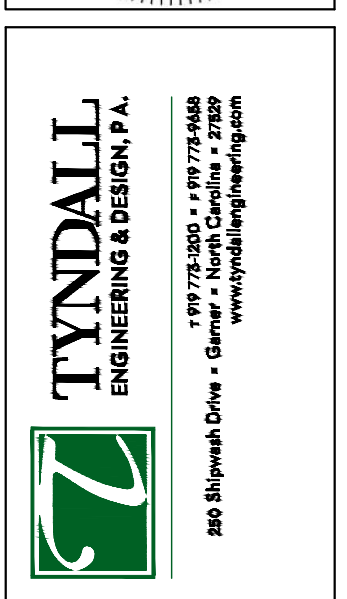


REAR ELEVATION
1/4" = 1'-0"



RIGHT ELEVATION
1/4" = 1'-0"

*Engineers seal does not include construction means, methods, techniques, sequences, procedures or safety precautions.
 Any deviations or discrepancies on plans are to be brought to the immediate attention of Tyndall Engineering & Design, P.A. Failure to do so will void Tyndall Engineering & Design, P.A. liability.
 *Please review these documents carefully. Tyndall Engineering & Design, P.A. will interpret that all dimensions, recommendations, etc. presented in these documents were deemed acceptable once construction begins.



TYNDALL ENGINEERING & DESIGN P.A.
 180 Blytheville Drive • Garner, NC 27529
 Phone: 919.775.5100 • Fax: 919.775.4444
 www.tyndallengineering.com

Client: **JON TAYLOR**
 Project: **ASPEN RIDGE PLAN**

ELEVATIONS

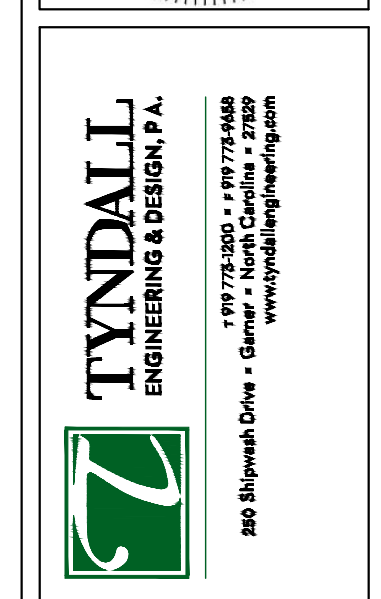
Project #: 2001-010222
 Date: 6/3/20
 Drawn/Design By: IJE
 DWG. Checked By: PAT
 Scale: SEE PLAN

REVISIONS		
No.	Date	Remarks
△		
△		
△		
△		

Sheet Number
2
 2 of 11

FILENAME: Z:\RESIDENTIAL ENCL\2001 STRUCTURAL PROJECTS\2001-010222 - JON TAYLOR - ASPEN RIDGE PLAN\2001-010222 - JON TAYLOR - ASPEN RIDGE PLAN.dwg
 PROJECTS\2001-010222 - JON TAYLOR - ASPEN RIDGE PLAN\2001-010222 - JON TAYLOR - ASPEN RIDGE PLAN.dwg
 DATE: 11/14/2020 8:11 AM

*Engineers seal does not include construction means, methods, techniques, sequences, procedures or safety precautions.
 Any deviations or discrepancies on plans are to be brought to the immediate attention of Tyn dall Engineering & Design, P.A. Failure to do so will void Tyn dall Engineering & Design, P.A. liability.
 *Please review these documents carefully. Tyn dall Engineering & Design, P.A. will interpret that all dimensions, recommendations, etc. presented in these documents were deemed acceptable once construction begins.



TYNDALL
 ENGINEERING & DESIGN, P.A.
 100 Blywood Drive • Garner • North Carolina • 27529
 919.775.5100 • 919.775.4444
 www.tyndallengineering.com

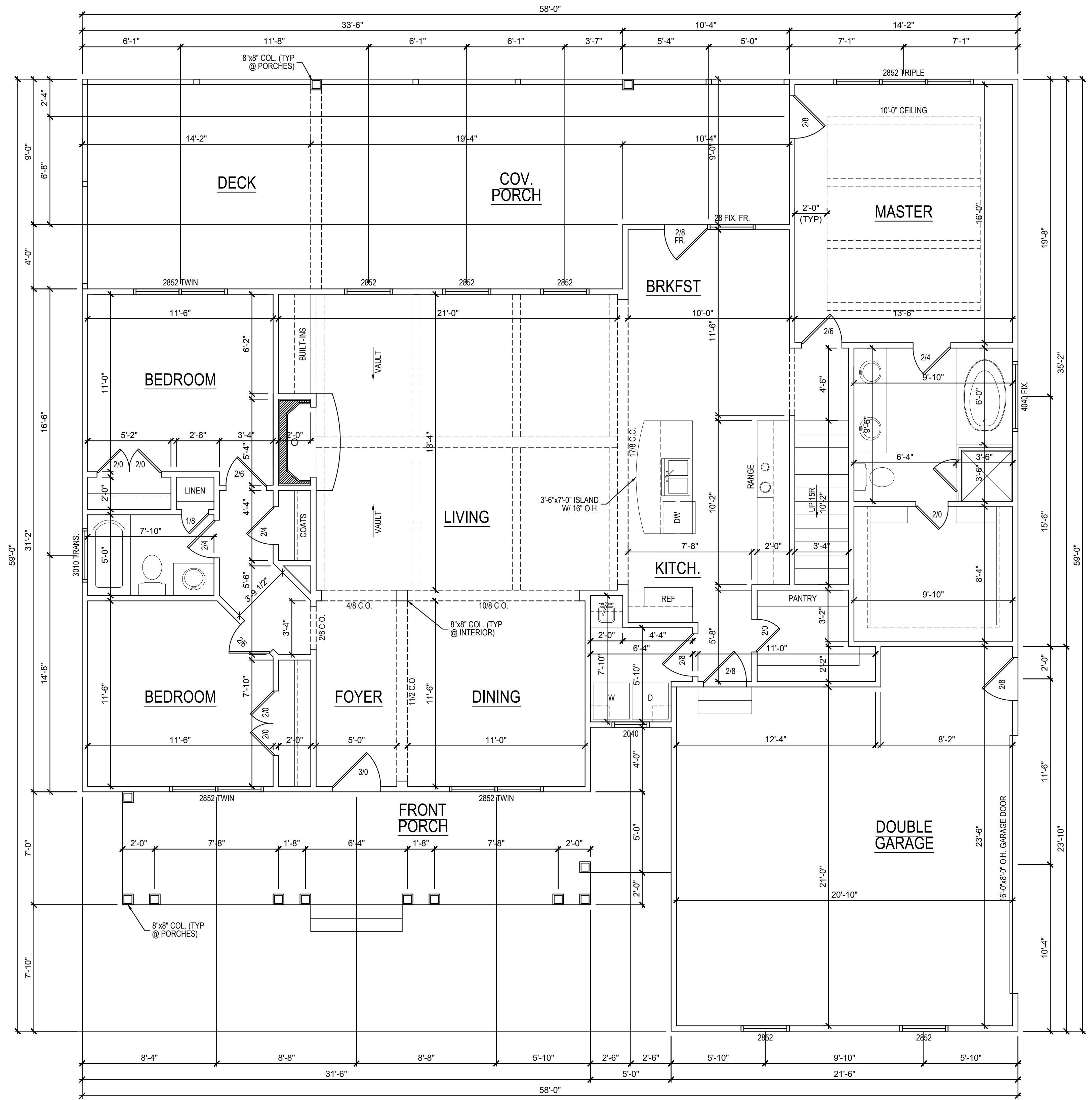
Client: **JON TAYLOR**
 Project: **ASPEN RIDGE PLAN**

FIRST FLOOR PLAN

Project #: 2001-010222
 Date: 6/3/20
 Drawn/Design By: IJE
 DWG. Checked By: PAT
 Scale: SEE PLAN

REVISIONS		
No.	Date	Remarks

Sheet Number
3
 3 of 11

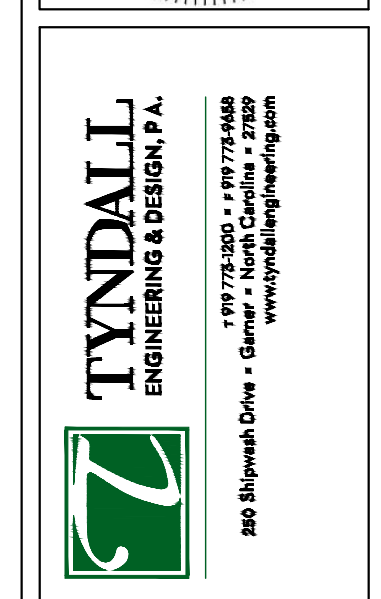


FIRST FLOOR PLAN
 1/4" = 1'-0" CEILING HGT. = 9'-0" (U.N.O.)

HEATED SF	
First Floor	1853
Second Floor	642
TOTAL HEATED	2495
UNHEATED SF	
Front Porch	248
Rear Porch	344
Deck	184
Garage	479
TOTAL UNHEATED	1255

FILENAME: Z:\RESIDENTIAL ENVS\2001 STRUCTURAL PROJECTS\2001-010222 - ASPEN RIDGE PLAN\2001-010222 - JON TAYLOR - ASPEN RIDGE PLAN\2001-010222 - CHRIS TYNDALL\2001-010222.DWG, SAVED BY: JONNY LAST PLOT DATE: 11/4/2020 8:11 AM

*Engineers and designers do not include construction means, methods, techniques, sequences, procedures or safety precautions.
 Any deviations or discrepancies on plans are to be brought to the immediate attention of Tyndall Engineering & Design, P.A. Failure to do so will void Tyndall Engineering & Design, P.A. liability.
 *Please review these documents carefully. Tyndall Engineering & Design, P.A. will interpret that all dimensions, recommendations, etc. presented in these documents were deemed acceptable once construction begins.



TYNDALL
 ENGINEERING & DESIGN, P.A.
 100 Blythebush Drive • Garner, NC 27530 • 919.775.4444
 www.tyndallengineering.com

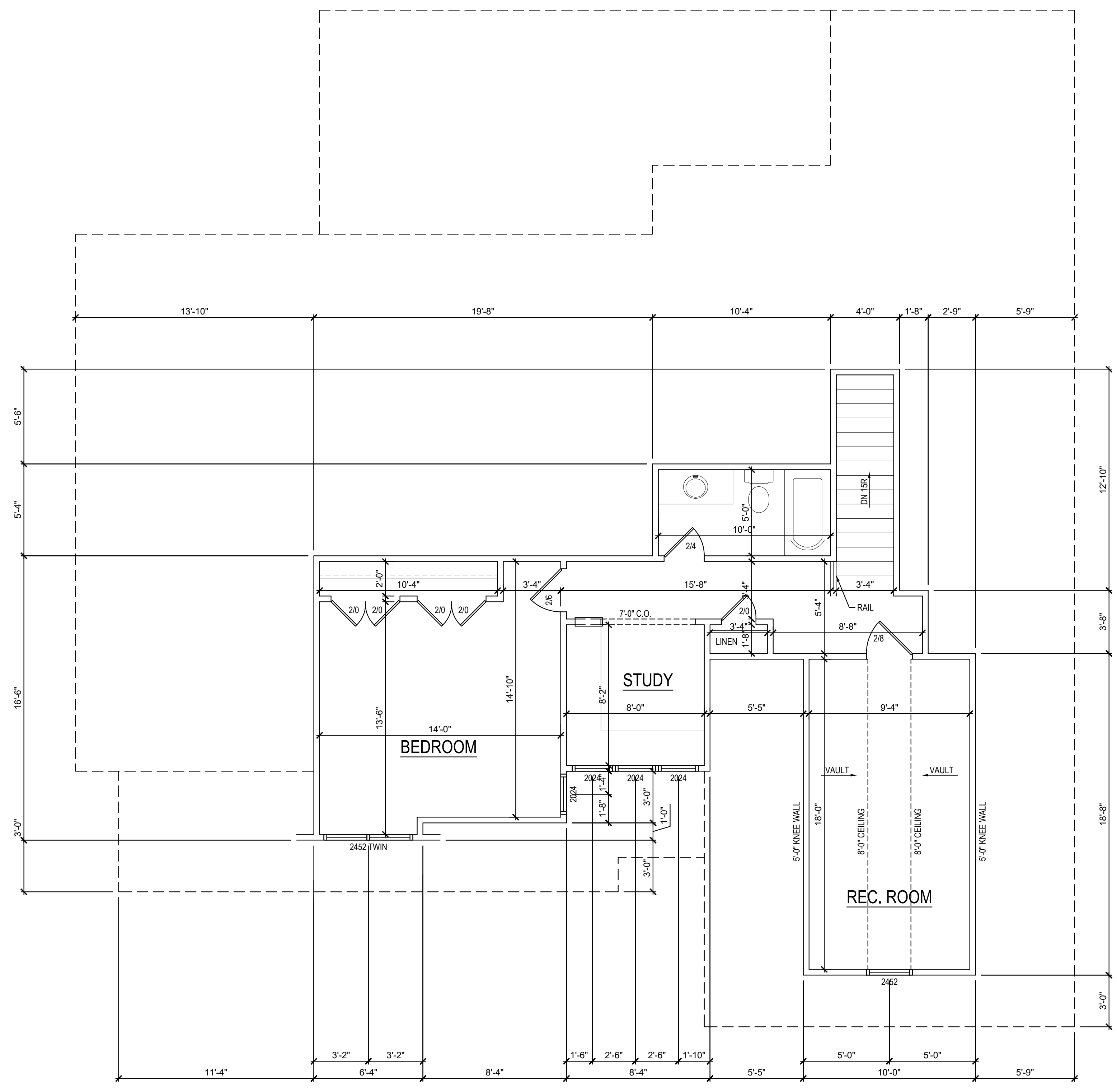
Client: **JON TAYLOR**
 Plan: **ASPEN RIDGE PLAN**

SECOND FLOOR PLAN

Project #: 2001-010222
 Date: 6/3/20
 Drawn/Design By: IJE
 DWG. Checked By: PAT
 Scale: SEE PLAN

REVISIONS		
No.	Date	Remarks
△		
△		
△		
△		

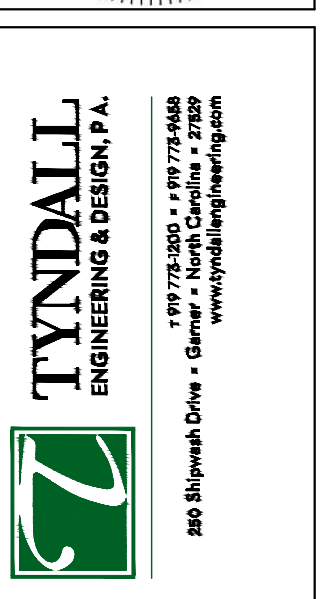
Sheet Number
4
 4 of 11



SECOND FLOOR PLAN
 1/4" = 1'-0" CEILING HGT. = 8'-0"

FILENAME: Z:\RESIDENTIAL ENVS\2001 STRUCTURAL PROJECTS\2001-010222 - JON TAYLOR - ASPEN RIDGE PLAN\2001-010222 - CHRIS TAYLOR\2001-010222.DWG, SAVED BY: JONNY LAST PLOT DATE: 11/4/2020 8:11 AM

*Engineers seal does not include construction means, methods, techniques, sequences, procedures or safety precautions.
 Any deviations or discrepancies on plans are to be brought to the immediate attention of Tyndall Engineering & Design, P.A. Failure to do so will void Tyndall Engineering & Design, P.A. liability.
 *Please review these documents carefully. Tyndall Engineering & Design, P.A. will interpret that all dimensions, recommendations, etc. presented in these documents were deemed acceptable once construction begins.



TYNDALL ENGINEERING & DESIGN, P.A.
 199 Blywood Drive • Garner, North Carolina • 27529
 www.tyndallengineering.com

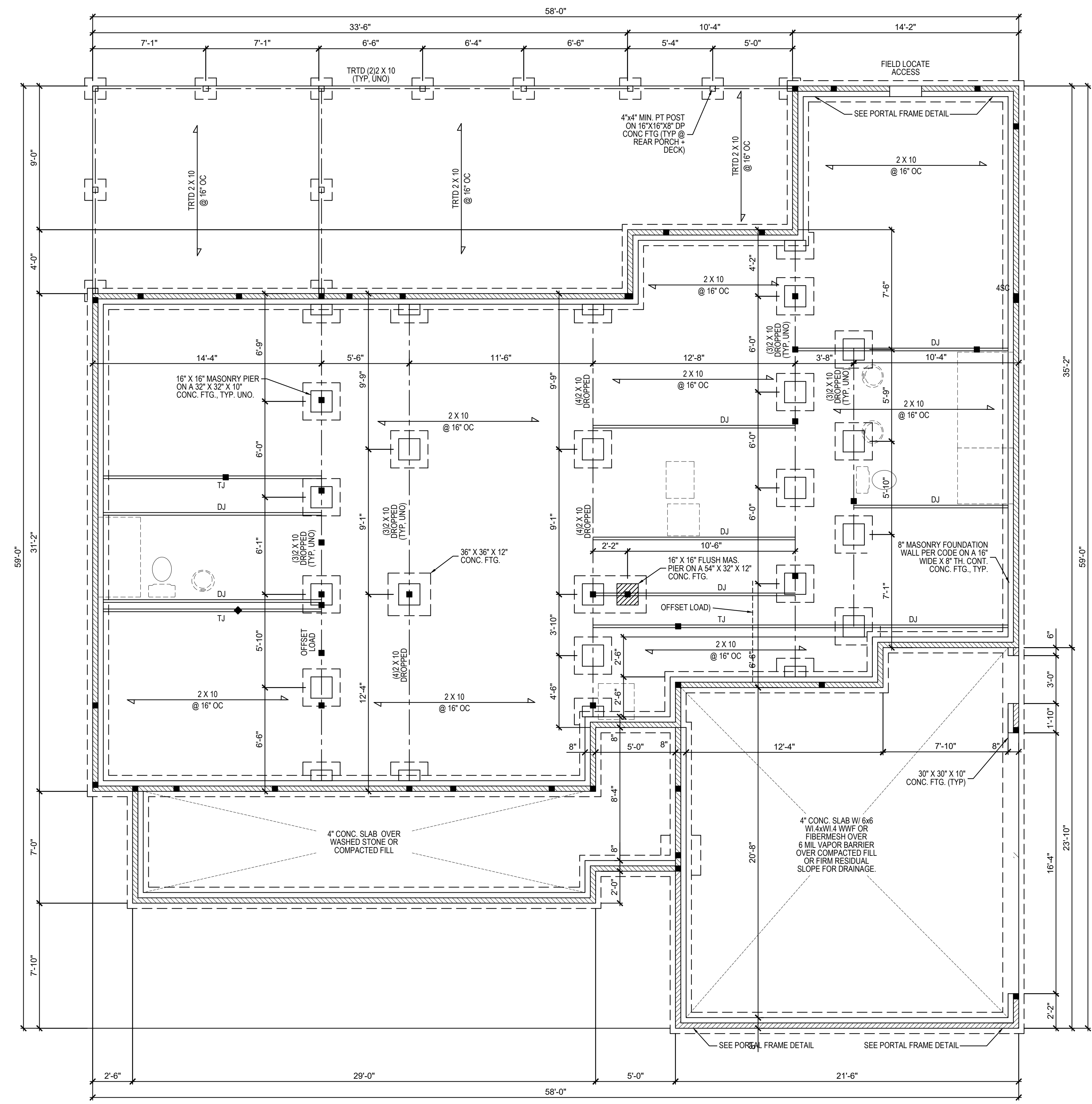
CLIENT: JON TAYLOR
 PLAN: ASPEN RIDGE PLAN

FOUNDATION PLAN 1ST FLOOR FRAMING

Project #: 2001-010222
 Date: 6/3/20
 Drawn/Design By: IJE
 DWG. Checked By: PAT
 Scale: SEE PLAN

REVISIONS		
No.	Date	Remarks

Sheet Number
S1
 5 of 11



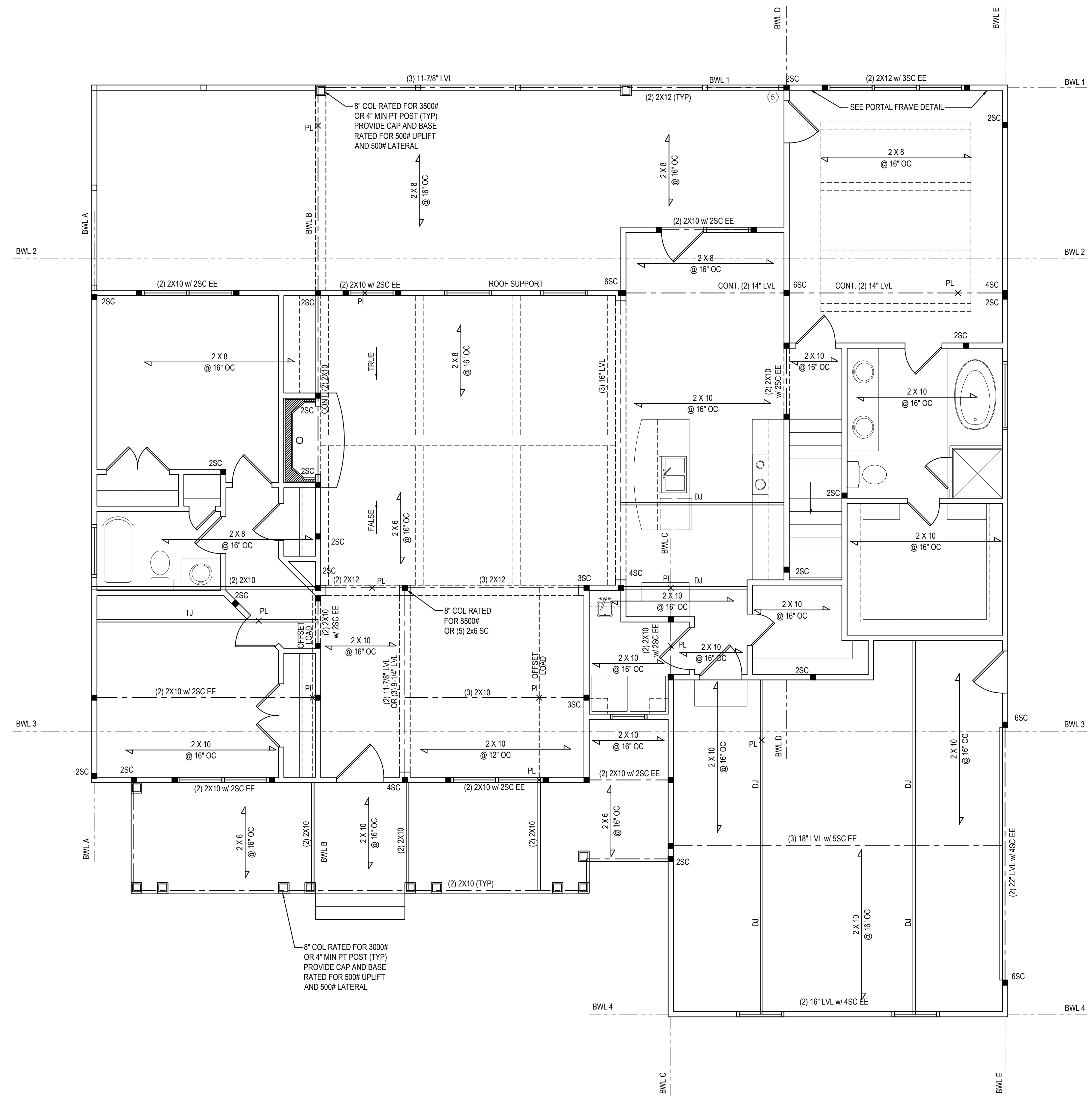
FOUNDATION PLAN
 1/4" = 1'-0"

FILENAME: Z:\RESIDENTIAL ENR\2003 STRUCTURAL PROJECTS\2001-010222 - ASPEN RIDGE PLAN\2001-010222 - JON TAYLOR - ASPEN RIDGE PLAN\2001-010222 - CHRIS TAYLOR\2001-010222.DWG, SAVED BY: JONNY LAST PLOT DATE: 11/4/2020 8:11 AM

	DESIGN LOADS		
	LIVE LOAD (PSF)	DEAD LOAD (PSF)	DEFLECTION
FLOOR (primary)	40	10	L/360 L/240
FLOOR (secondary)	40	10	L/360 L/240
ATTIC (w/ storage)	20	10	L/240 L/180
ATTIC (no access)	10	5	L/240 L/180
EXTERNAL BALCONY	40	10	L/360 L/240
ROOF	20	10	L/240 L/180
ROOF TRUSS	20	20	L/240 L/180
WIND LOAD	BASED ON 120 MPH (EXPOSURE B)		
SEISMIC	BASED ON SEISMIC ZONES A, B & C		

- STRUCTURAL NOTES:**
- ALL CONSTRUCTION SHALL CONFORM TO THE LATEST REQUIREMENTS OF "NORTH CAROLINA STATE 2018 RESIDENTIAL BUILDING CODE", IN ADDITION TO ALL LOCAL CODES AND REGULATIONS.
 - IT IS THE CONTRACTOR'S RESPONSIBILITY TO VERIFY ALL DIMENSIONS AND SQUARE FOOTAGE PRIOR TO CONSTRUCTION. TYNDALL ENGINEERING & DESIGN, P.A. IS NOT RESPONSIBLE FOR DIMENSIONS AND SQUARE FOOTAGE ERRORS ONCE CONSTRUCTION BEGINS.
 - ALL LUMBER SHALL BE SYP #2 (UNO)
ALL LVL LUMBER TO BE 1.75" WIDE NOMINAL EACH SINGLE MEMBER AND Fb = 2600 PSI, E = 1.9M PSI (E = LEVEL MICROLAM)
ALL LSL LUMBER IS TO BE 1.55E (Fb = 2325 PSI)
ALL LOAD BEARING EXTERIOR WINDOW HEADERS WITH MAXIMUM SPAN OF 5'-0" SHOULD BE A (2) 2x10 w/ (1) 2x4 KING STUD AND (1) 2x4 JACK STUD NAILED TOGETHER w/ (2) 10d @ 8" O.C. PROVIDED THAT THE TOP OF THE WINDOW HEIGHT IS 6"-8", MINIMUM BOTTOM OF THE WINDOW HEIGHT IS 1'-4". OTHERWISE REFER TO TABLE R502.5(1).
ALL INTERIOR LOAD BEARING HEADERS TO BE (2) 2x10 (U.N.O.) REFER TO TABLE R502.5(1) FOR JACK STUD REQUIREMENTS FOR HEADER SPANS FOR INTERIOR AND EXTERIOR LOAD CONDITIONS (UNO)
 - REFER TO 2018 NC BUILDING CODE SECTION R602 FOR CONSTRUCTION OF ALL WALLS OVER 10'-0" IN HEIGHT.
 - ALL STRUCTURAL STEEL SHALL BE ASTM A992 GRADE 50 Fy = 50 KSI MIN. (UNO)
 - ALL EXTERIOR LUMBER TO BE #2 SYP PT
 - ALL CONCRETE, Fc = 3000 PSI MIN.
 - PRESUMPTIVE BEARING CAPACITY = 2000 PSF
 - 1/2" ANCHOR BOLTS SPACED AT MAXIMUM OF 6'-0" O.C. AND NOT MORE THAN 12" FROM THE CORNER. THERE SHALL BE A MINIMUM OF (2) BOLTS PER PLATE SECTION. ANCHOR BOLTS SHALL BE SPACED AT 3'-0" O.C. FOR BASEMENTS. ANCHOR BOLT SHALL EXTEND 7" INTO CONCRETE OR MASONRY.
 - PSI. COLUMNS DESIGNED WITH MAX. HEIGHT OF 9'-0" (UNO)
 - PROVIDE A MINIMUM OF 500# UPLIFT & LATERAL CONNECTION AT TOP AND BOTTOM OF PORCH COLUMNS. (U.N.O.)
 - PROVIDE CONTINUOUS SHEATHING PER SECTION 602.10.4 OF THE 2018 IRC.
 - MAXIMUM MASONRY PIER HEIGHT SHALL NOT EXCEED FOUR TIMES ITS LEAST HORIZONTAL DIMENSION.
 - UPLIFT LOADS GREATER THAN 500# SHALL BE CONTINUOUSLY ANCHORED TO THE FOUNDATION.
 - METAL HANGERS SHALL BE SIMPSON OR APPROVED EQUAL.

- STRUCTURAL SHEATHING NOTES**
- DESIGNED FOR SEISMIC ZONE A-C AND WIND SPEEDS OF 120 MPH OR LESS.
 - WALLS SHALL BE BRACED IN ACCORDANCE WITH SECTION R602.10 OF THE 2018 NCR.
 - BRACING REQUIREMENTS SHALL BE PER TABLE R602.10.3. REFER TO SECTION R602.10.4 FOR LOAD PATH DETAILS INCLUDING CONNECTIONS & SUPPORT OF BRACED WALL PANELS.
 - REFERENCE FIGURE R602.10.4.3 OF THE 2018 NCR.
 - INTERIOR BRACED WALL PANELS (BWP) INDICATED SHALL BE SHEATHED IN ACCORDANCE WITH THE GB METHOD OR WSP METHOD AS PRESCRIBED IN SECTION R602.10.1 (UNO)
 - 1/2" GYPSUM BOARD (GB) MINIMUM LENGTH OF 8'-0" SECURE w/ 5d COOLER NAILS (OR EQUAL PER TABLE R702.3.5) SPACED @ 7" O.C. AT PANEL EDGES INCLUDING TOP AND BOTTOM PLATES & 7" O.C. AT INTERMEDIATE SUPPORTS
 - 3/8" WOOD STRUCTURAL PANEL (WSP) SECURE w/ 6d COMMON NAILS SPACED AT 6" O.C. AT PANEL EDGES AND 12" O.C. AT INTERMEDIATE SUPPORTS
 - EXTERIOR BRACED WALL PANELS (BWP) SHALL BE CONSTRUCTED IN ACCORDANCE WITH CS-WSP METHOD AS PRESCRIBED IN SECTION R602.10.3 (UNO)
 - ALL SHEATHABLE SURFACES OF EXTERIOR WALLS (INCLUDING AREAS ABOVE AND BELOW OPENINGS AND GABLE END WALLS) SHALL BE CONTINUOUSLY SHEATHED WITH WOOD STRUCTURAL PANEL (WSP) SHEATHING WITH A MINIMUM THICKNESS OF 3/8". SHEATHING SHALL BE SECURED WITH MINIMUM 6d COMMON NAILS SPACED AT 6" O.C. AT PANEL EDGES AND SPACED AT 12" O.C. AT INTERMEDIATE SUPPORTS.
 - MINIMUM BRACED WALL PANEL LENGTHS WITH CS-WSP METHOD SHALL BE AS FOLLOWS:
 - 24" ADJACENT TO OPENINGS NOT MORE THAN 67% OF WALL HEIGHT
 - 30" ADJACENT TO OPENINGS GREATER THAN 67% AND LESS THAN 85% OF WALL HEIGHT.
 - 48" FOR OPENINGS GREATER THAN 85% OF WALL HEIGHT
 - SHEATH INTERIOR & EXTERIOR
 - FOR CS-WSP METHOD, A MINIMUM 24" BRACED WALL PANEL CORNER RETURN SHALL BE PROVIDED AT BOTH ENDS OF A BRACED WALL LINE IN ACCORDANCE WITH FIGURE R602.10.3(4). IN LIEU OF A CORNER RETURN, EITHER A MIN. 48" BRACED WALL PANEL SHALL BE PROVIDED AT THE CORNER OR A HOLD-DOWN DEVICE WITH A MINIMUM UPLIFT DESIGN VALUE OF 800# SHALL BE FASTENED TO THE EDGE OF THE BRACED WALL PANEL CLOSEST TO THE CORNER AND TO THE FOUNDATION OR FRAMING BELOW.
 - MINIMUM 800# HOLD-DOWN DEVICE



BRACING PANEL LENGTHS REQUIRED:

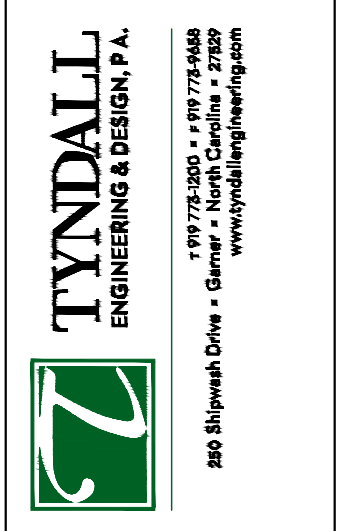
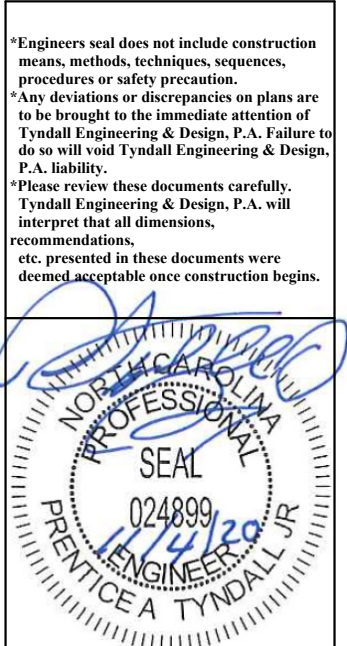
BWL A = 45.5 FT
 BWL B = 26.0 FT
 BWL C = 20.2 FT
 BWL D = 25.8 FT
 BWL E = 6.6 FT
 BWL 1 = 4.0 FT
 BWL 2 = 24.3 FT
 BWL 3 = 28.3 FT
 BWL 4 = 5.6 FT

BRACING PANEL LENGTHS PROVIDED:

BWL A = 27.8 FT CS-WSP
 BWL B = 30.3 FT GB
 BWL C = 21.7 FT GB/WSP
 BWL D = 28.2 FT GB
 BWL E = 52.0 FT CS-WSP
 BWL 1 = 8.0 FT CS-WSP
 BWL 2 = 25.0 FT GB/WSP
 BWL 3 = 30.8 FT GB/WSP
 BWL 4 = 23.0 FT CS-WSP

FIRST FLOOR PLAN
 1/4" = 1'-0" CEILING HGT. = 9'-0" (U.N.O.)

*ALL LUMBER TO BE #2 SYP, UNO
 ALL WALLS TO BE 4" THICK



JON TAYLOR
 ENGINEER
 ASPEN RIDGE PLAN

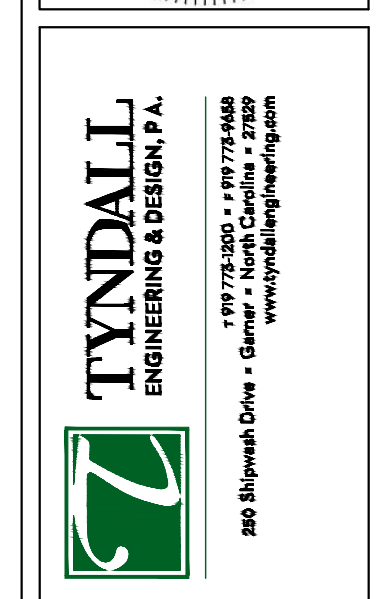
**1ST FLOOR HEADER
 2ND FLOOR FRAMING**

Project #: 2001-010222
 Date: 6/3/20
 Drawn/Design By: IJE
 DWG. Checked By: PAT
 Scale: SEE PLAN

REVISIONS		
No.	Date	Remarks

Sheet Number
S2
 6 of 11

*Engineers seal does not include construction means, methods, techniques, sequences, procedures or safety precautions.
 Any deviations or discrepancies on plans are to be brought to the immediate attention of Tyndall Engineering & Design, P.A. Failure to do so will void Tyndall Engineering & Design, P.A. liability.
 *Please review these documents carefully. Tyndall Engineering & Design, P.A. will interpret that all dimensions, recommendations, etc. presented in these documents were deemed acceptable once construction begins.



TYNDALL
 ENGINEERING & DESIGN, P.A.
 200 Blywood Drive • Garner • North Carolina • 27529
 919 775-5200 • 919 775-4444
 www.tyndallengineering.com

Client: **JON TAYLOR**
 Plan: **ASPEN RIDGE PLAN**

**2ND FLOOR HEADER
 2ND FLR. CLG. FRAMING**

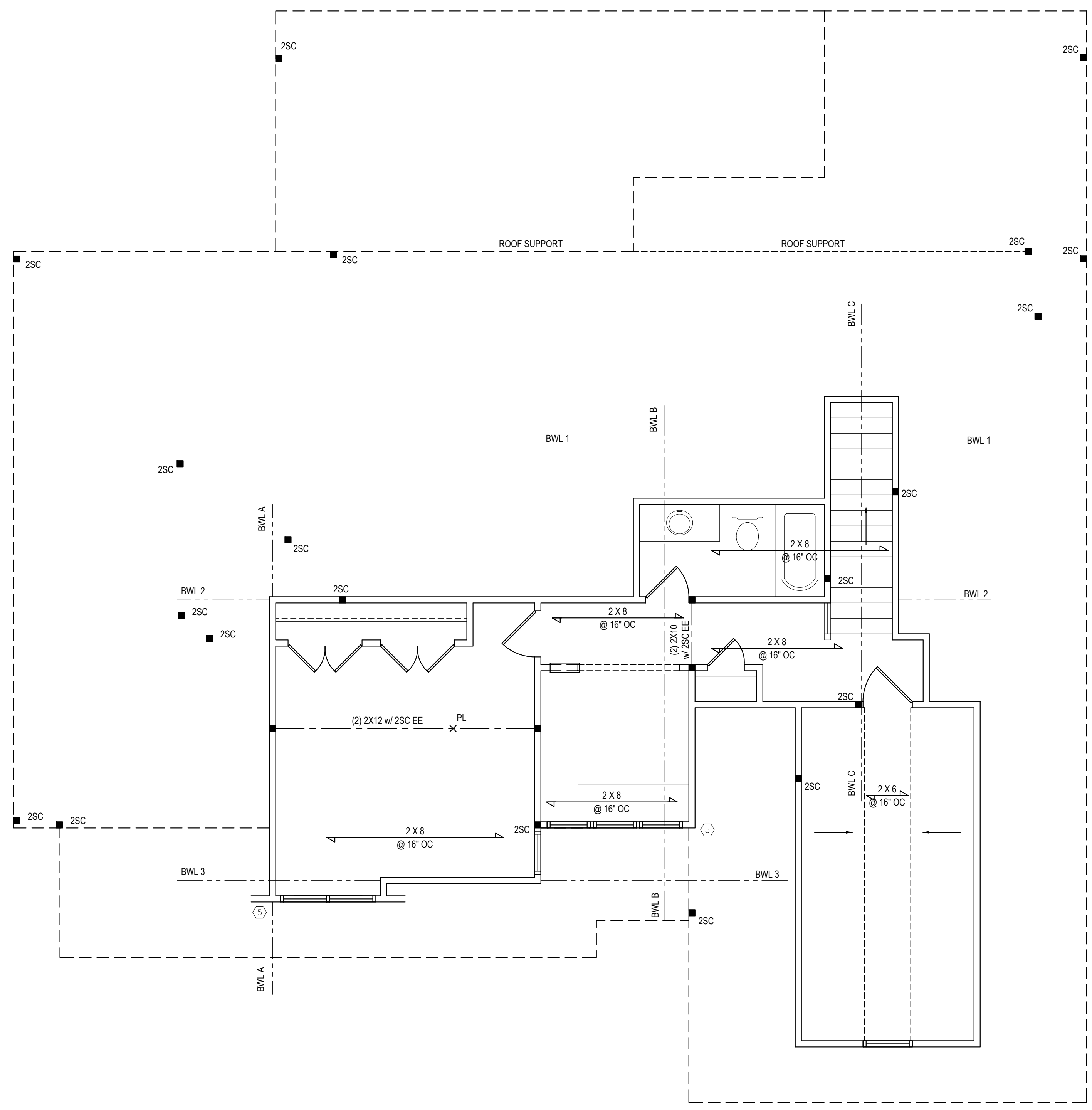
Project #: 2001-010222
 Date: 6/3/20
 Drawn/Design By: IJE
 DWG. Checked By: PAT
 Scale: SEE PLAN

REVISIONS		
No.	Date:	Remarks
△		
△		
△		
△		

Sheet Number
S3
 7 of 11

BRACING PANEL LENGTHS REQUIRED:
 BWL A = 5.9 FT
 BWL B = 9.8 FT
 BWL C = 4.0 FT
 BWL 1 = 4.0 FT
 BWL 2 = 8.6 FT
 BWL 3 = 4.0 FT

BRACING PANEL LENGTHS PROVIDED:
 BWL A = 8.3 FT GB
 BWL B = 11.7 FT GB
 BWL C = 8.3 FT GB
 BWL 1 = 7.2 FT GB
 BWL 2 = 14.0 FT GB
 BWL 3 = 8.0 FT CS-WSP

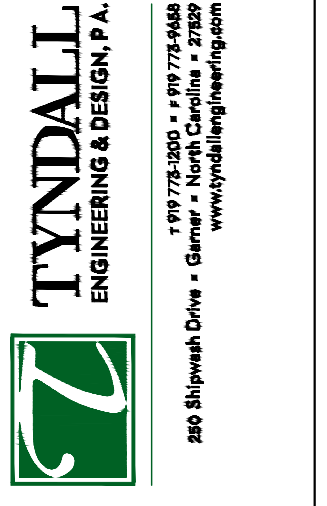


SECOND FLOOR PLAN
 1/4" = 1'-0" CEILING HGT. = 8'-0"

*ALL LUMBER TO BE #2 SYP, UNO
 ALL WALLS TO BE 4" THICK

FILENAME: Z:\RESIDENTIAL ENCL\2001 STRUCTURAL PROJECTS\2001-010222 - ASPEN RIDGE PLAN\2001-010222 - JON TAYLOR - ASPEN RIDGE PLAN\2001-010222 - CHRIS TYNDALL\2001-010222\DWG.SAVED BY: JONNY LAST PLOT DATE: 11/4/2020 8:11 AM

*Engineers seal does not include construction means, methods, techniques, sequences, procedures or safety precautions.
 Any deviations or discrepancies on plans are to be brought to the immediate attention of Tyndall Engineering & Design, P.A. Failure to do so will void Tyndall Engineering & Design, P.A. liability.
 *Please review these documents carefully. Tyndall Engineering & Design, P.A. will interpret that all dimensions, recommendations, etc. presented in these documents were deemed acceptable once construction begins.



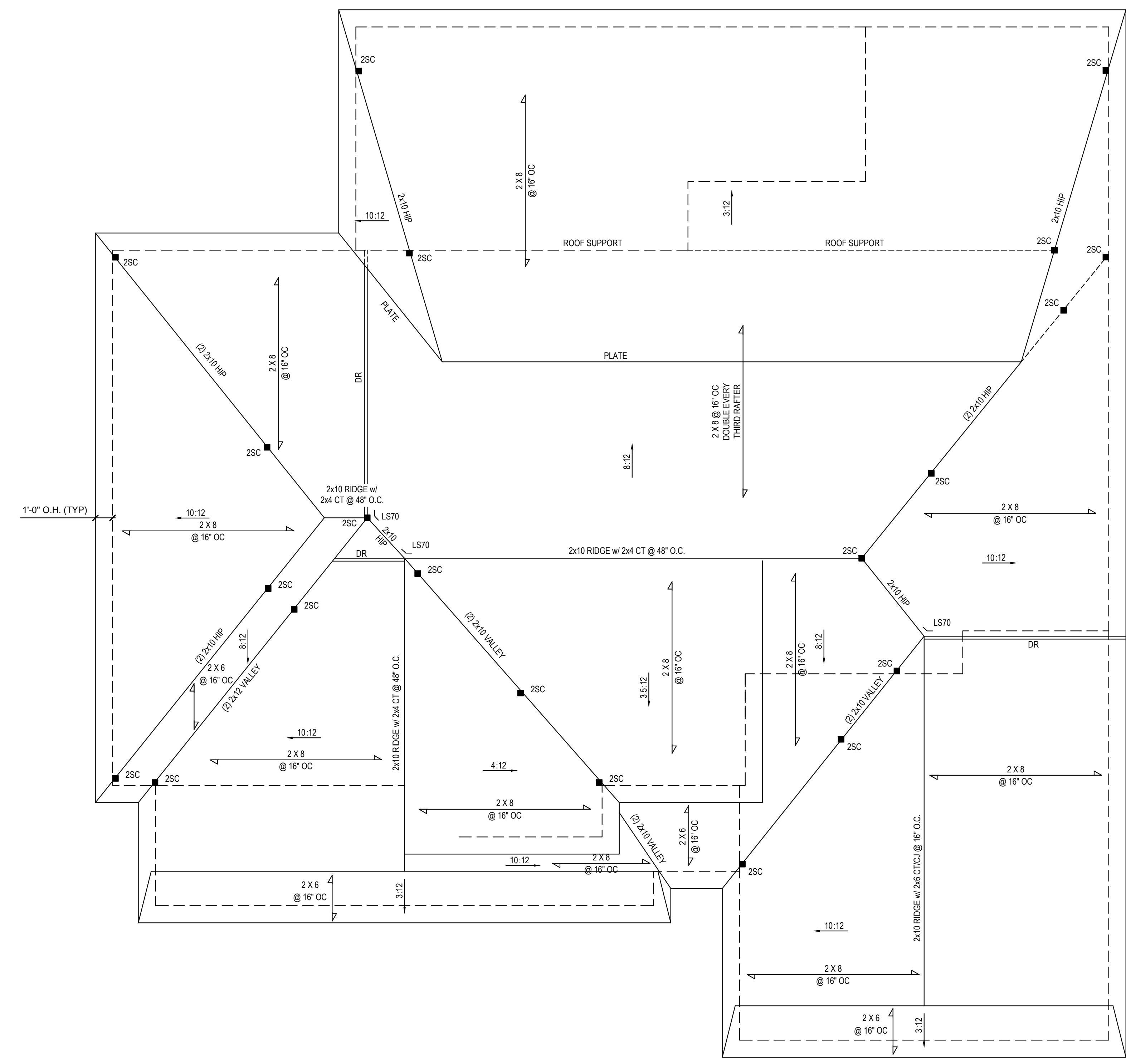
TYNDALL
 ENGINEERING & DESIGN, P.A.
 280 Blythebark Drive • Garner, NC 27529
 919.775.2500 • 919.775.4444
 www.tyndallengineering.com

Client: **JON TAYLOR**
 Plan: **ASPEN RIDGE PLAN**

Project #: **2001-010222**
 Date: **6/3/20**
 Drawn/Design By: **IJE**
 DWG. Checked By: **PAT**
 Scale: **SEE PLAN**

REVISIONS		
No.	Date	Remarks

Sheet Number
S4
 8 of 11



ROOF PLAN
 1/4" = 1'-0"

*ALL LUMBER TO BE #2 SYP, UNO
 BUILDER MAY USE ROOF TRUSSES, TRUSS DESIGN, LAYOUT, AND
 ENGINEERING TO BE PROVIDED BY TRUSS MANUFACTURER

FILENAME: Z:\RESIDENTIAL ENCL\2001 STRUCTURAL PROJECTS\2001-010222 - JON TAYLOR - ASPEN RIDGE PLAN\2001-010222 - JON TAYLOR - ASPEN RIDGE PLAN.dwg, SAVED BY: JONNY LAST PLOT DATE: 11/4/2020 8:11 AM

STRUCTURAL NOTES

- ALL CONSTRUCTION SHALL CONFORM TO THE LATEST REQUIREMENTS OF "NORTH CAROLINA STATE 2018 RESIDENTIAL BUILDING CODE", IN ADDITION TO ALL LOCAL CODES AND REGULATIONS.
- DESIGN LOADS:

	LIVE LOAD (PSF)	DEAD LOAD (PSF)	DEFLECTION	
			LL	TL
ALL FLOORS	40	10	L/360	L/240
ATTIC (w/ walk up stairs)	30	10	L/360	L/240
ATTIC (pull down access)	20	10	L/240	L/180
ATTIC (no access)	10	5	L/240	L/180
EXTERNAL BALCONY	40	10	L/360	L/240
ROOF	20	10	L/240	L/180
ROOF TRUSS	20	20	L/240	L/180
WIND LOAD	BASED ON 120 MPH (EXPOSURE B)			
SEISMIC	SEISMIC ZONES A, B & C			
- MINIMUM ALLOWABLE SOIL BEARING PRESSURE = 2000 PSF
- CONCRETE SHALL HAVE A MINIMUM 28 DAY COMPRESSIVE STRENGTH OF 3000 PSI AND A MAXIMUM SLUMP OF FIVE INCHES UNLESS NOTED OTHERWISE. (U.N.O.)
- MAXIMUM DEPTH OF UNBALANCED FILL AGAINST FOUNDATION WALLS TO BE LESS THAN 4'-0" WITHOUT USING SUFFICIENT WALL BRACING. REFER TO SECTION R404 OF 2018 NC BUILDING CODE FOR BACKFILL LIMITATIONS BASED ON WALL HEIGHT, WALL THICKNESS, SOIL TYPE, AND UNBALANCED BACKFILL HEIGHT.
- ALL FRAMING LUMBER SHALL BE SYP #2 (Fb = 800 PSI, BASED ON 2x10) UNO. ALL FRAMING LUMBER EXPOSED TO THE ELEMENTS SHALL BE TREATED MATERIAL. ALL LVL LUMBER TO BE 1.75" WIDE NOMINAL EACH SINGLE MEMBER AND Fb = 2600 PSI, E = 1.9M PSI (U.N.O.) ALL LSL LUMBER TO BE 3.5" WIDE NOMINAL EACH SINGLE MEMBER AND Fb = 2325 PSI, E = 1.8M PSI (U.N.O.) ALL PSL LUMBER TO BE 3.5" WIDE NOMINAL EACH SINGLE MEMBER AND Fb = 2400 PSI, E = 1.8M PSI (U.N.O.)
- ALL LOAD BEARING EXTERIOR HEADERS SHALL BE AT (2) 2x10. (U.N.O.) REFER TO TABLE R602.7(1) & (2) FOR JACK STUD REQUIREMENTS FOR HEADER SPANS FOR INTERIOR AND EXTERIOR LOAD CONDITIONS UNLESS SPECIFICALLY NOTED ON PLANS.
- ALL STRUCTURAL STEEL W-SHAPES (I-BEAMS) SHALL BE ASTM A992 GRADE 50. ALL STEEL ANGLES, PLATES, AND C-CHANNELS SHALL BE ASTM A36. ALL STEEL PIPE SHALL BE ASTM A53 GRADE B.
- STEEL BEAMS SHALL BE SUPPORTED AT EACH END WITH A MINIMUM BEARING LENGTH OF 3'-1/2" AND FULL FLANGE WIDTH. PROVIDE SOLID BEARING FROM BEAM SUPPORT TO FOUNDATION. BEAMS SHALL BE ATTACHED TO EACH SUPPORT WITH TWO (2) LAG SCREWS (1/2" x 4" LONG). LATERAL SUPPORT IS CONSIDERED ADEQUATE PROVIDED THE JOISTS ARE TOE NAILED TO THE SOLE PLATES, AND THE SOLE PLATES ARE NAILED OR BOLTED TO THE BEAM FLANGES @ 48" O.C.
- PROVIDE ANCHOR BOLT PLACEMENT PER SECTION 403.1.6: 1/2" ANCHOR BOLTS SPACED AT 6'-0" O.C. AND PLACED 12" FROM THE END OF EACH PLATE SECTION. ANCHOR BOLTS SHALL BE SPACED AT 3'-0" O.C. FOR BASEMENTS. ANCHOR BOLT SHALL EXTEND 7" INTO CONCRETE OR MASONRY. THE BOLTS SHALL BE LOCATED IN THE MIDDLE THIRD OF THE WIDTH OF THE PLATE. THERE SHALL BE A MINIMUM TWO ANCHOR BOLTS PER PLATE SECTION.
- FOUNDATION DRAINAGE-DAMP PROOFING OR WATERPROOFING PER SECTION 405 AND 406 OF NC BUILDING CODE.
- WALL AND ROOF CLADDING VALUES:
WALL CLADDING SHALL BE DESIGNED FOR 28.0 POUNDS PER SQUARE FOOT (LBS/SQFT) OR GREATER POSITIVE AND NEGATIVE PRESSURE. ROOF VALUES BOTH POSITIVE AND NEGATIVE SHALL BE AS FOLLOWS:
39.0 LBS/SQFT FOR ROOF PITCHES 0/12 TO 1.5/12
36.0 LBS/SQFT FOR ROOF PITCHES 1.5/12 TO 6/12
18.0 LBS/SQFT FOR ROOF PITCHES 6/12 TO 12/12
**MEAN ROOF HEIGHT 30'-0" OR LESS
- FOR ROOF SLOPES FROM 2/12 THROUGH 4/12, BUILDER TO INSTALL 2 LAYERS OF 15# FELT PAPER.
- REFER TO SECTION R602.3 FOR FRAMING OF ALL WALLS OVER 10'-0" IN HEIGHT.
- PROVIDE CONTINUOUS SHEATHING PER SECTION 602.10.3 OF THE 2018 NCCRC.
- UPLIFT LOADS GREATER THAN 500# SHALL BE CONTINUOUSLY ANCHORED TO THE FOUNDATION.
- REFER TO TABLE N1102.1 FOR PRESCRIPTIVE BUILDING ENVELOPE THERMAL COMPONENT CRITERIA.
- PSL COLUMNS DESIGNED WITH MAXIMUM HEIGHT OF 9'-0" (U.N.O.)
- PROVIDE A MINIMUM OF 500# UPLIFT & LATERAL CONNECTION AT TOP AND BOTTOM OF PORCH COLUMNS. (U.N.O.)
- MAXIMUM MASONRY PEIR HEIGHT SHALL NOT EXCEED FOUR TIMES ITS LEAST HORIZONTAL DIMENSION.
- IT IS THE CONTRACTORS RESPONSIBILITY TO VERIFY ALL DIMENSIONS AND SQUARE FOOTAGE PRIOR TO CONSTRUCTION. TYNDALL ENGINEERING & DESIGN, PA IS NOT RESPONSIBLE FOR DIMENSION OR SQUARE FOOTAGE ERRORS ONCE CONSTRUCTION BEGINS.

DEFINITIONS FOR COMMON ABBREVIATIONS

ALT = ALTERNATE	MAX = MAXIMUM
CANT = CANTILEVER	MIN = MINIMUM
CJ = CEILING JOIST	NOM = NOMINAL
CMU = CONCRETE MASONRY UNIT	O.C. = ON CENTER
COL = COLUMN	PL = PLATE
CONC = CONCRETE	PT = PRESSURE TREATED
CONT = CONTINUOUS	REIN = REINFORCED
COLL = COLLAR TIE	REQD = REQUIRED
DBL = DOUBLE	RJ = ROOF JOIST
DIA = DIAMETER	RS = ROOF SUPPORT
DJ = DOUBLE JOIST	SC = STUD COLUMN
DR = DOUBLE RAFTER	SCH = SCHEDULE
EA = EACH	SPC = SPECIFIED
EE = EACH END	THK = THICK
FJ = FLOOR JOIST	TJ = TRIPLE JOIST
FND = FOUNDATION	TRTD = TREATED
FTG = FOOTING	TYP = TYPICAL
GALV = GALVANIZED	UNO = UNLESS NOTED OTHERWISE
HORIZ = HORIZONTAL	W = WIDE FLANGE BEAM
HT = HEIGHT	WWF = WELDED WIRE FABRIC
MANUF = MANUFACTURER	XJ = EXTRA JOIST

1) MAXIMUM HEIGHT OF DECK SUPPORT POSTS AS FOLLOWS:

POST SIZE	MAX. POST HEIGHT**
4 x 4	8'-0"
6 x 6	20'-0"
***	OVER 20'-0"

- * THIS TABLE IS BASED ON NO. 2 TREATED SOUTHERN PINE POSTS. MAXIMUM TRIBUTARY AREA IS BASED ON 128 TOTAL SQUARE FEET WHICH MAY BE LOCATED AT DIFFERENT LEVELS.
 - ** FROM TOP OF FOOTING TO BOTTOM OF GIRDER
 - *** DECKS WITH POST HEIGHTS OVER 20'-0" SHALL BE DESIGNED AND SEALED BY A PROFESSIONAL ENGINEER OR REGISTERED ARCHITECT.
- 2) DECKS SHALL BE BRACED TO PROVIDE LATERAL STABILITY BY ONE OF THESE METHODS:
- THE DECK FLOOR HEIGHT IS LESS THAN 4'-0" AND THE DECK IS ATTACHED TO THE STRUCTURE IN ACCORDANCE WITH SECTION (4) ABOVE. LATERAL BRACING IS NOT REQUIRED.
 - 4 x 4 WOOD KNEE BRACES MAY BE PROVIDED ON EACH COLUMN IN BOTH DIRECTIONS. THE KNEE BRACES SHALL ATTACH TO EACH POST AT A POINT NOT LESS THAN 1/3 OF THE POST LENGTH FROM THE TOP OF THE POST, AND THE BRACES SHALL BE ANGLED BETWEEN 45° AND 60° FROM THE HORIZONTAL. KNEE BRACES SHALL BE BOLTED TO THE POST AND GIRDER WITH ONE 5/8" HOT DIPPED GALVANIZED BOLT AT EACH END OF THE BRACE.
 - FOR FREESTANDING DECKS WITHOUT KNEE BRACES OR DIAGONAL BRACING, LATERAL STABILITY MAY BE PROVIDED BY EMBEDDING THE POSTS IN ACCORDANCE WITH THE FOLLOWING:

POST SIZE	MAX. TRIBUTARY AREA	MAX. POST HEIGHT	EMBEDMENT DEPTH	CONCRETE DIAMETER
4 x 4	48 SQ. FT.	4'-0"	2'-6"	1'-0"
6 x 6	120 SQ. FT.	6'-0"	3'-6"	1'-8"

- 2 x 6 DIAGONAL VERTICAL CROSS BRACING MAY BE PROVIDED IN TWO (2) PERPENDICULAR DIRECTIONS FOR FREESTANDING DECKS OR PARALLEL TO THE STRUCTURE AT THE EXTERIOR COLUMN LINE FOR ATTACHED DECKS. THE 2 x 6s SHALL BE ATTACHED TO THE POSTS WITH ONE 5/8" HOT DIPPED GALVANIZED BOLT AT EACH END OF EACH BRACING MEMBER.
- FOR EMBEDMENT OF PILES IN COASTAL REGIONS, SEE CHAPTER 46.

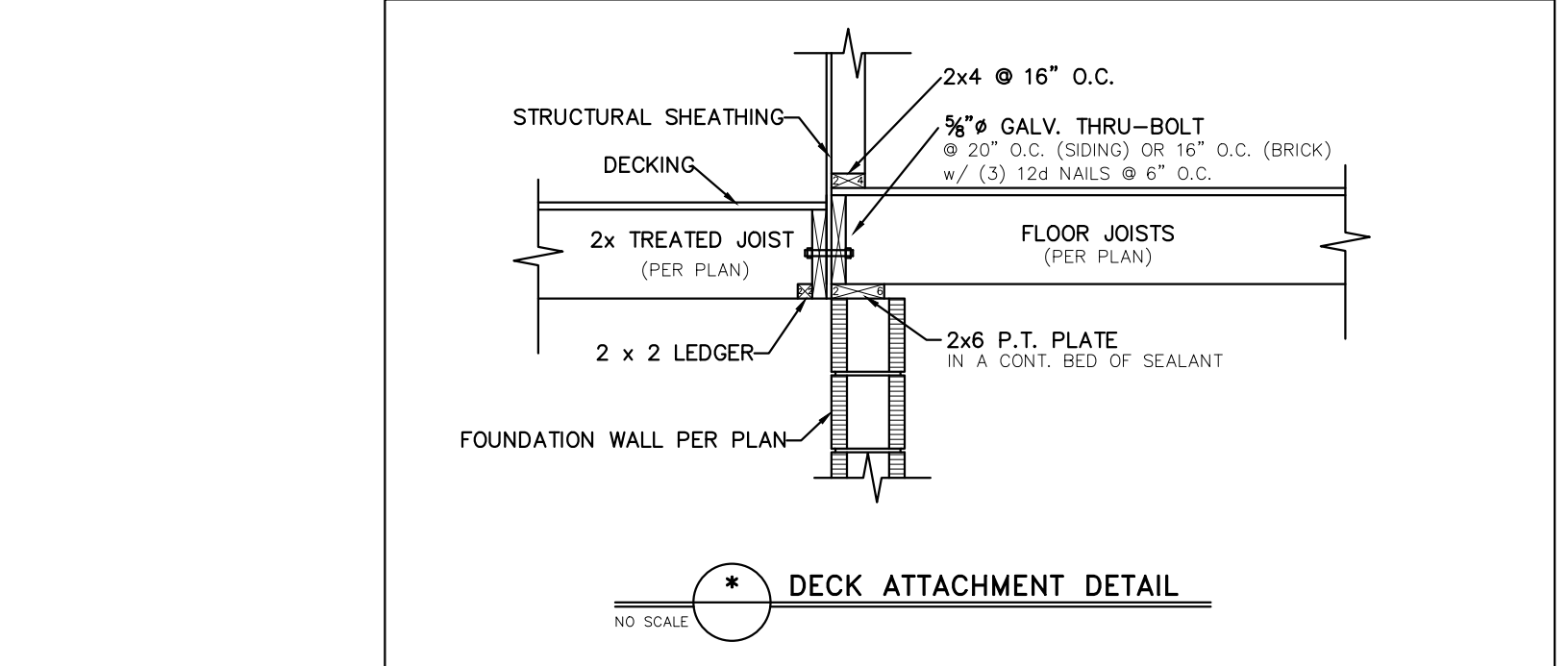
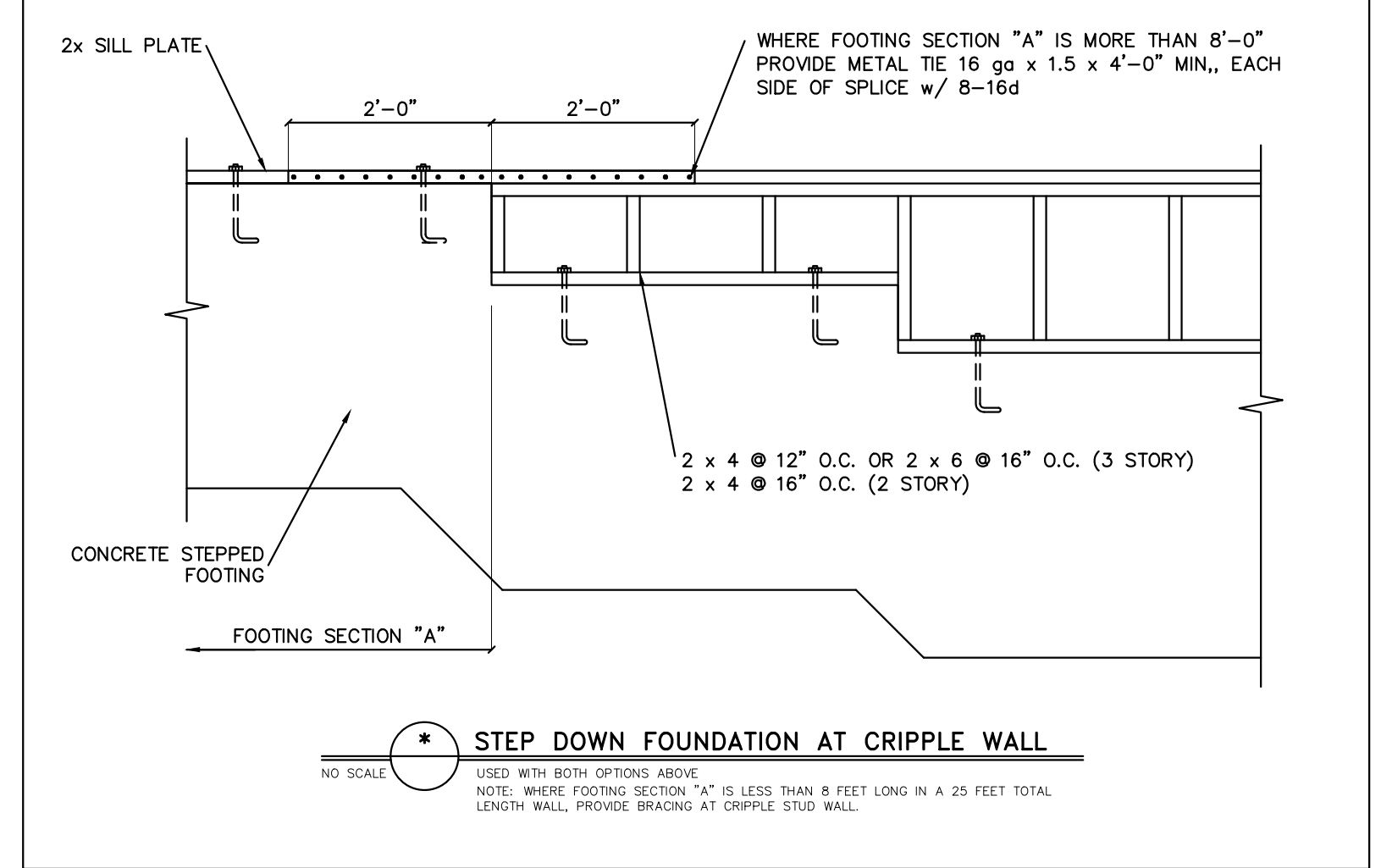
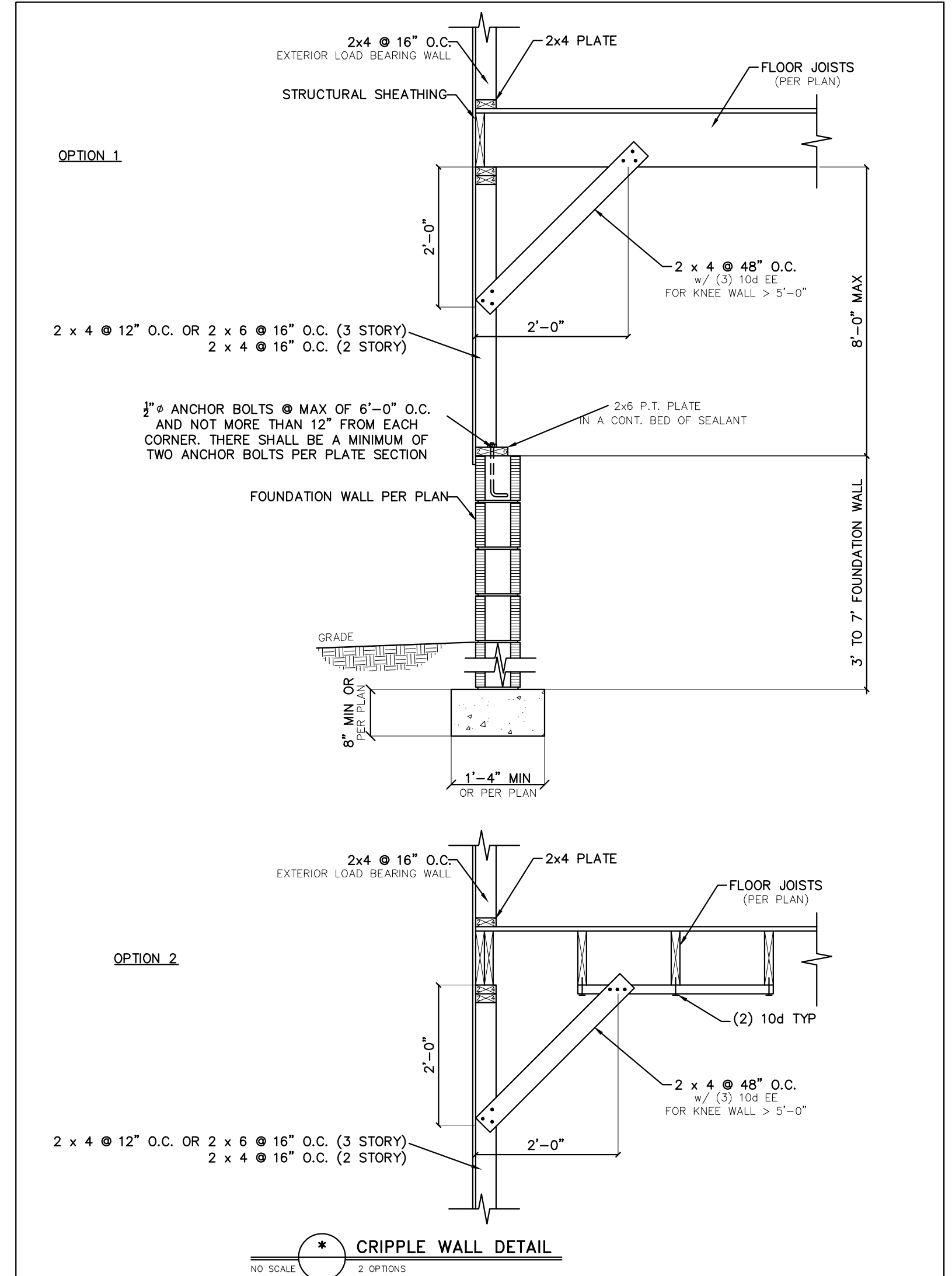
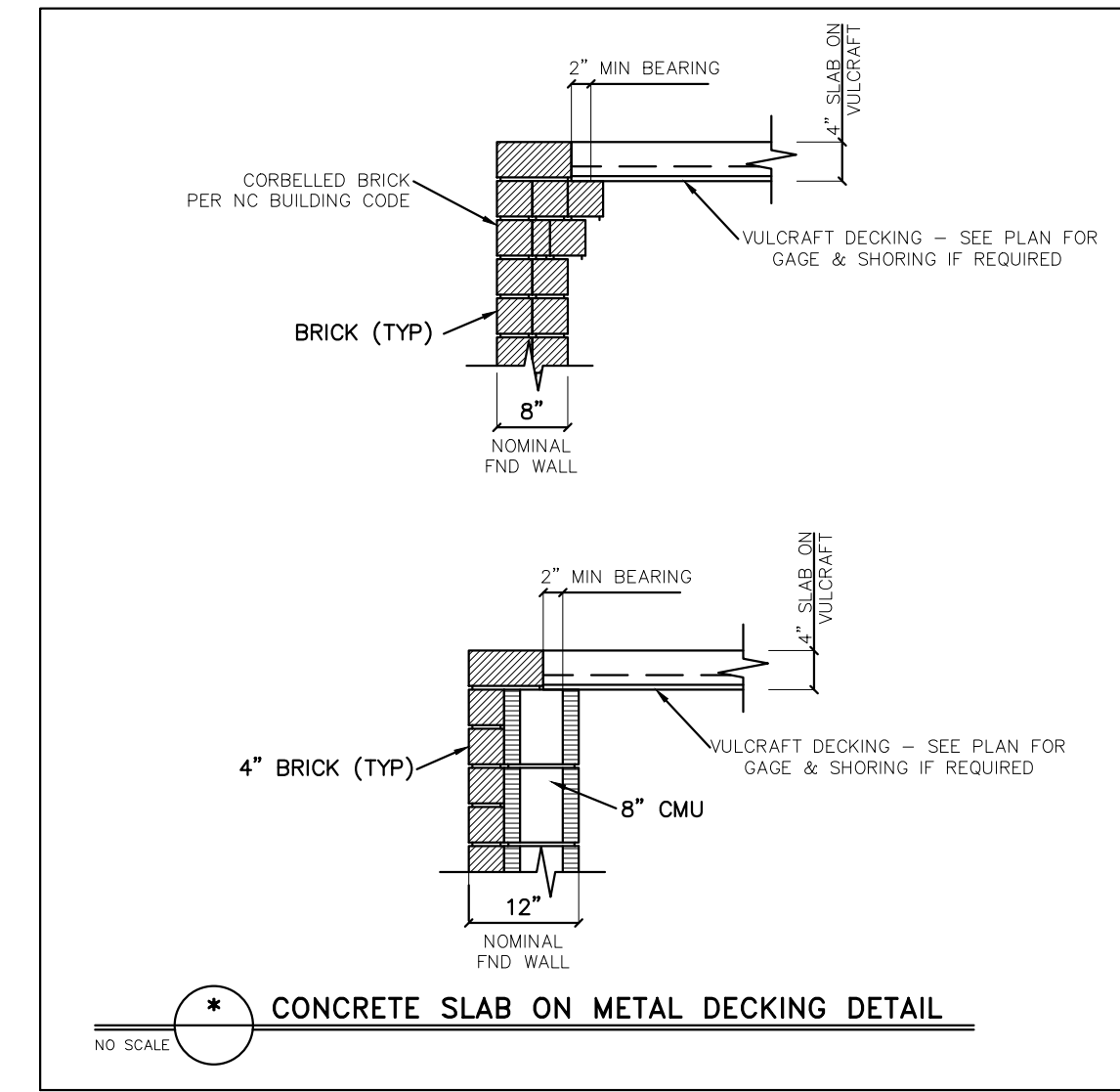
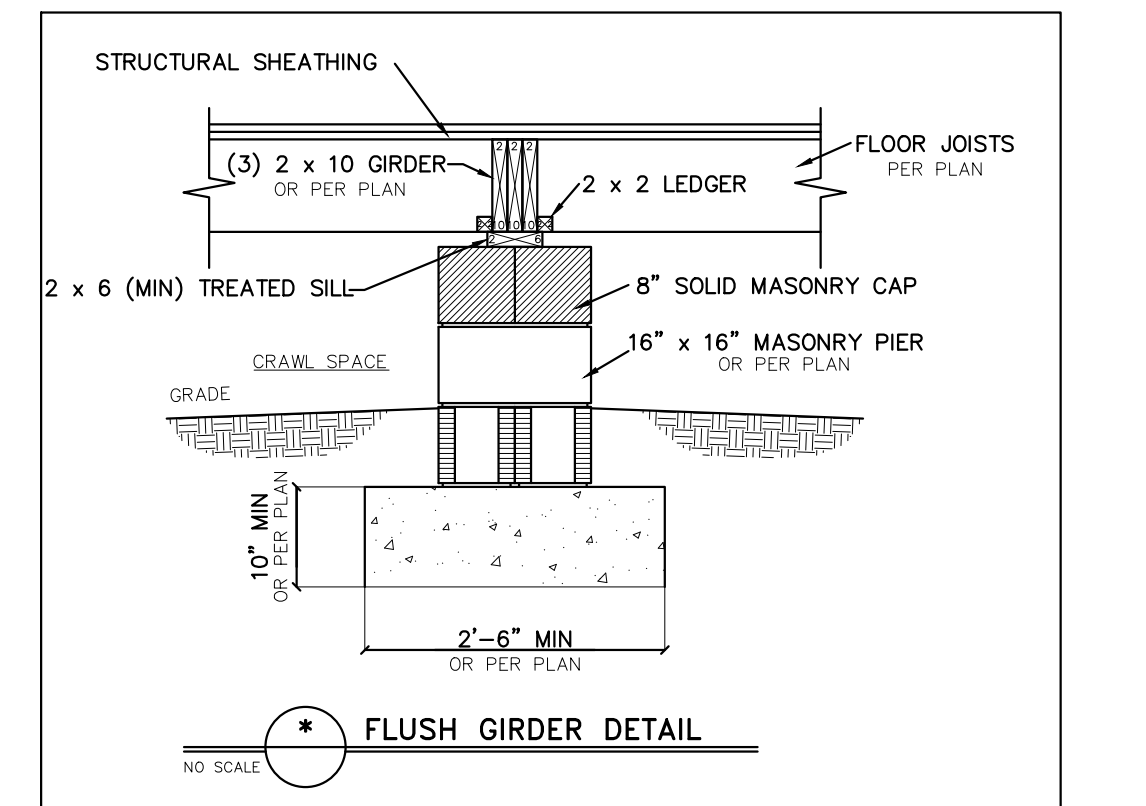
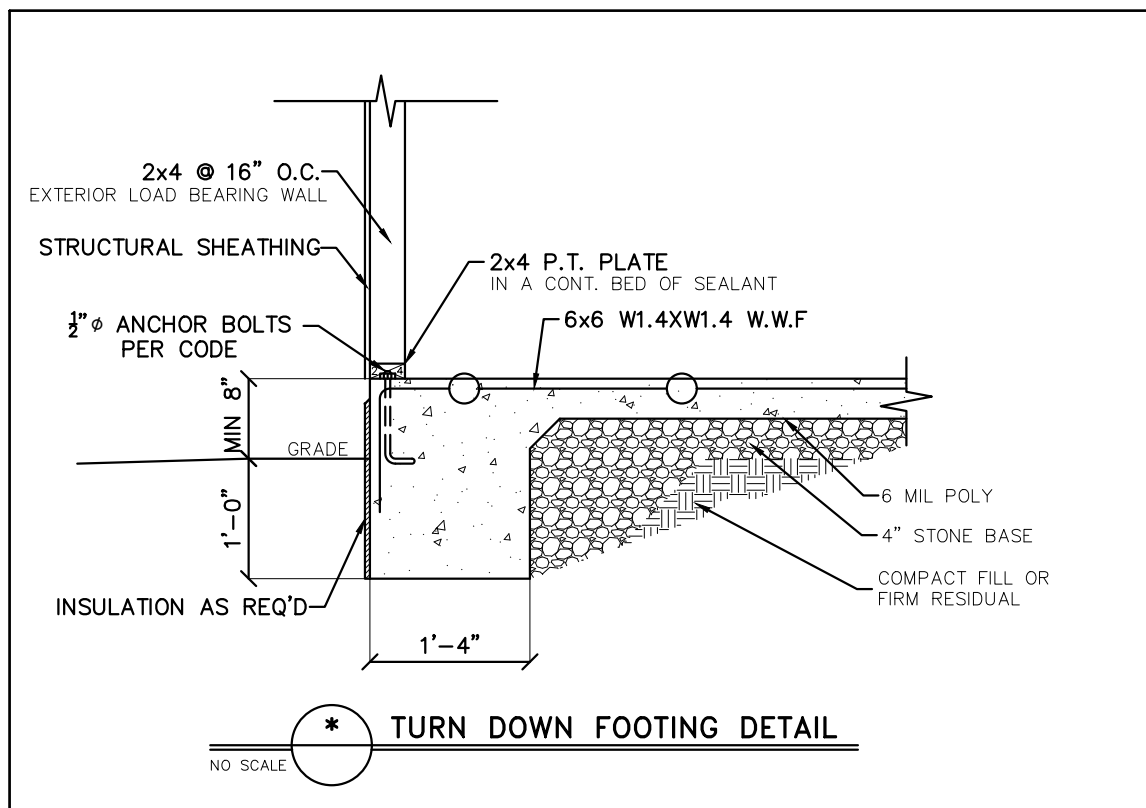
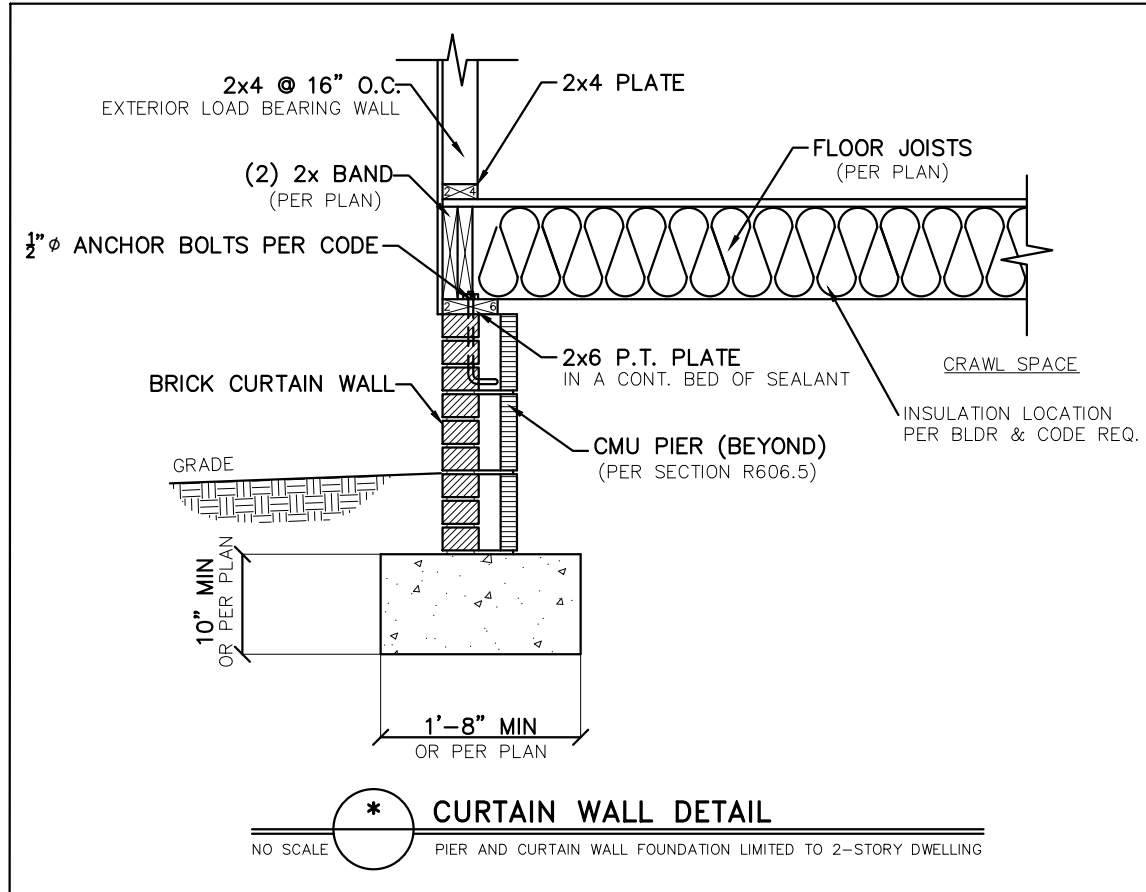
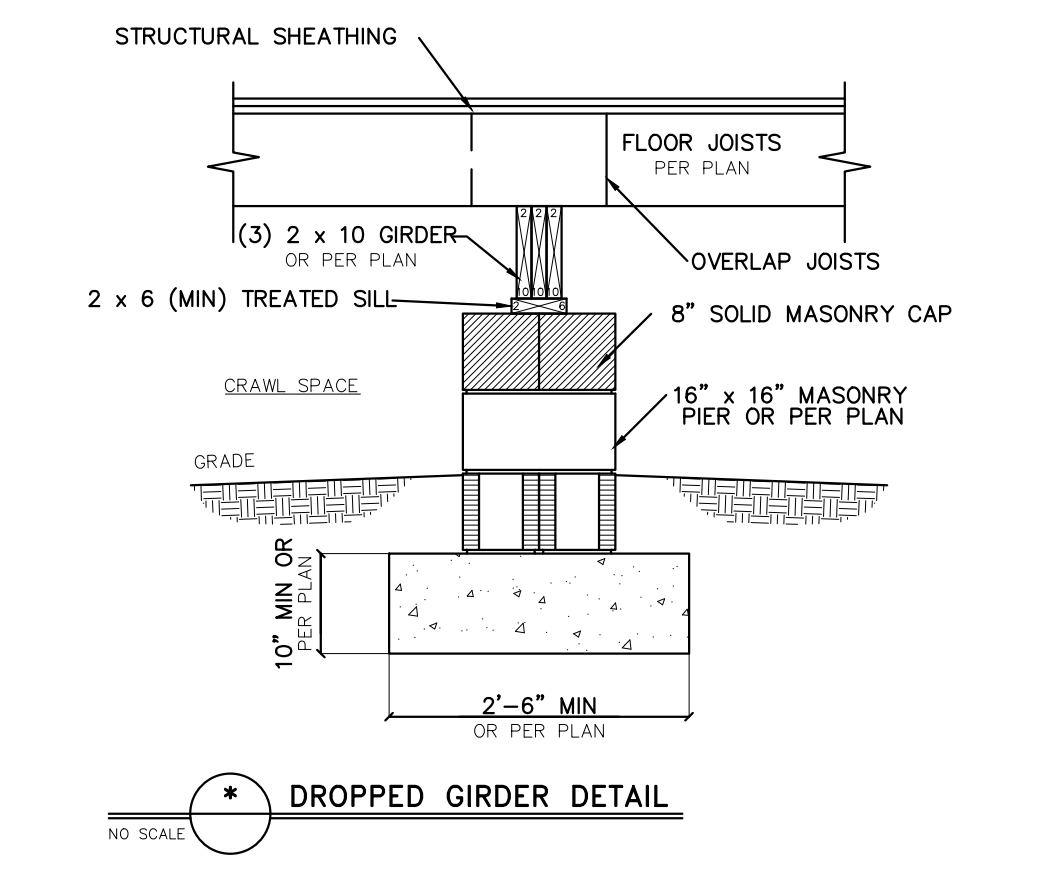


TABLE N1102.1 CLIMATE ZONES 3-5

CLIMATE ZONES	FENESTRATION U-FACTOR ¹	SKYLIGHT ¹ U-FACTOR	GLAZED FENESTRATION SHGC ^{1A}	CEILING ¹¹ R-VALUE	WOOD FRAMED WALL R-VALUE	MASS WALL R-VALUE AND DEPTH	FLOOR R-VALUE	BASEMENT ¹² WALL R-VALUE	SLAB ¹³ R-VALUE AND DEPTH	CRAWL SPACE ¹⁴ WALL R-VALUE
3	0.35	0.55	0.30	38 or 30 cont	15 or 13 + 2.5 ¹⁵	5/13 or 5/10 cont	19	5/13	0	5/13
4	0.35	0.55	0.30	38 or 30 cont	15 or 13 + 2.5 ¹⁵	5/13 or 5/10 cont	19	10/15	10	10/15
5	0.35	0.55	NR	38 or 30 cont	19 ¹⁶ or 13 + 5 ¹⁶ or 15 + 3 ¹⁶	13/17 or 13/12.5 cont	30 ¹⁷	10/15	10	10/15

NO SCALE

1. R-VALUES ARE MINIMUMS UNLESS OTHERWISE NOTED. WHEN INSULATION IS INSTALLED IN A CAVITY WHICH IS LESS THAN THE LABEL OR DESIGN THICKNESS OF THE INSULATION, THE INSTALLED R-VALUE OF THE INSULATION SHALL NOT BE LESS THAN THE R-VALUE SPECIFIED IN THE TABLE.

2. THE FENESTRATION U-FACTOR COLUMN EXCLUDES SKYLIGHTS. THE SOLAR HEAT GAIN COEFFICIENT (SHGC) COLUMN APPLIES TO ALL GLAZED FENESTRATION.

3. "10/15" MEANS R-10 CONTINUOUS INSULATED SHEATHING ON THE INTERIOR OR EXTERIOR OF THE HOME OR R-15 CAVITY INSULATION AT THE INTERIOR OF THE BASEMENT WALL OR CRAWL SPACE WALL.

4. FOR MONTHLY SLAB-ON-GRADATION INSULATION SHALL BE APPLIED FROM THE INSIDE OF THE SLAB DOWNWARD TO THE BOTTOM OF THE FOOTING OR A MINIMUM OF 24" BELOW GRADE. HOWEVER, IF INSULATION IS LESS FOR FLOATING SLABS, INSULATION SHALL EXTEND TO THE BOTTOM OF THE FOUNDATION WALL OR 24" WHICHEVER IS LESS. R-5 SHALL BE ADDED TO THE REQUIRED SLAB EDGE R-VALUES FOR HEATED SLABS.

5. GLEDED

6. BASEMENT WALL INSULATION IS NOT REQUIRED IN WARM-HUMID LOCATIONS AS DEFINED BY EQUATION N1102.7 AND TABLE N1102.7.

7. OR INSULATION SUFFICIENT TO FILL THE FRAMING CAVITY. R-19 MINIMUM.

8. THE FIRST VALUE IS CAVITY INSULATION, THE SECOND VALUE IS CONTINUOUS INSULATION. SO "13+5" MEANS R-13 CAVITY INSULATION PLUS R-5 INSULATED SHEATHING. "13+5" MEANS R-13 CAVITY INSULATION PLUS R-5 INSULATED SHEATHING. "13+5" MEANS R-13 CAVITY INSULATION PLUS R-5 INSULATED SHEATHING. WHERE THE STRUCTURAL SHEATHING IS USED, IF STRUCTURAL SHEATHING COVERS MORE THAN 25 PERCENT OF THE EXTERIOR, SHALL BE SUBSTITUTED WITH INSULATED SHEATHING OF AT LEAST R-2. "13 + 2.5" MEANS R-13 CAVITY INSULATION PLUS R-2.5 SHEATHING.

9. FOR MASS WALLS, THE SECOND R-VALUE APPLIES WHEN MORE THAN HALF THE INSULATION IS ON THE INTERIOR MASS WALL.

10. IN ADDITION TO THE EXEMPTION IN SECTION N1102.3.3, A MAXIMUM OF TWO GLAZED FENESTRATION PRODUCT ASSEMBLIES HAVING A U-FACTOR NO GREATER THAN 0.55 SHALL BE PERMITTED TO BE SUBSTITUTED FOR MINIMUM CODE COMPLIANT FENESTRATION PRODUCT ASSEMBLIES WITHOUT PENALTY.

11. IN ADDITION TO THE EXEMPTION IN SECTION N1102.3.3, A MAXIMUM OF TWO GLAZED FENESTRATION PRODUCT ASSEMBLIES HAVING A SHGC NO GREATER THAN 0.70 SHALL BE PERMITTED TO BE SUBSTITUTED FOR MINIMUM CODE COMPLIANT FENESTRATION PRODUCT ASSEMBLIES WITHOUT PENALTY.

12. R-30 SHALL BE DEEMED TO SATISFY THE CEILING INSULATION REQUIREMENT WHEREVER THE FULL HEIGHT OF UNCOMPRESSED R-30 INSULATION EXTENDS OVER THE WALL TOP PLATE AT THE EAVES. OTHERWISE R-30 INSULATION IS REQUIRED WHERE AVOIDABLE EXCEPT INSULATION MUST EXTEND TO EITHER THE INSULATION EDGE OR WITHIN 1/8" OF THE ATTIC ROOF EDGE.

13. TABLE VALUE REQUIRED EXCEPT FOR ROOF EDGE WHERE THE PITCH OF THE ROOF WHERE THE INSULATION MUST FILL THE SPACE UP TO THE AIR BATTLE.

14. R-19 FIBERGLASS BATTIS COMPRESSED AND INSTALLED IN A NOMINAL 2 x 6 FRAMING CAVITY IS DEEMED TO COMPLY. FIBERGLASS BATTIS RATED R-19 OR HIGHER COMPRESSED AND INSTALLED IN A 2x4 WALL IS NOT DEEMED TO COMPLY.

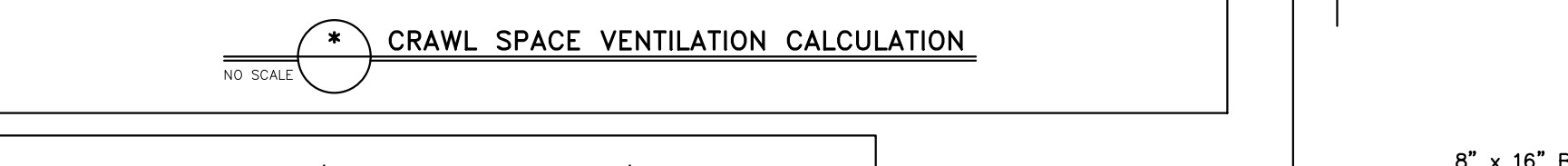
15. BASEMENT WALL MEETING THE MINIMUM MASS WALL SPECIFIC HEAT CONTENT REQUIREMENT MAY USE THE MASS WALL R-VALUE AS THE MINIMUM REQUIREMENT.

___ SQ. FT. OF CRAWL SPACE / 150 = ___ SQ. FT. OF REQ'D VENTILATION WITHOUT CROSS VENTILATION
 ___ SQ. FT. OF VENTILATION REQ'D / 0.45 SQ.FT. PER VENT = ___ VENTS REQ'D¹

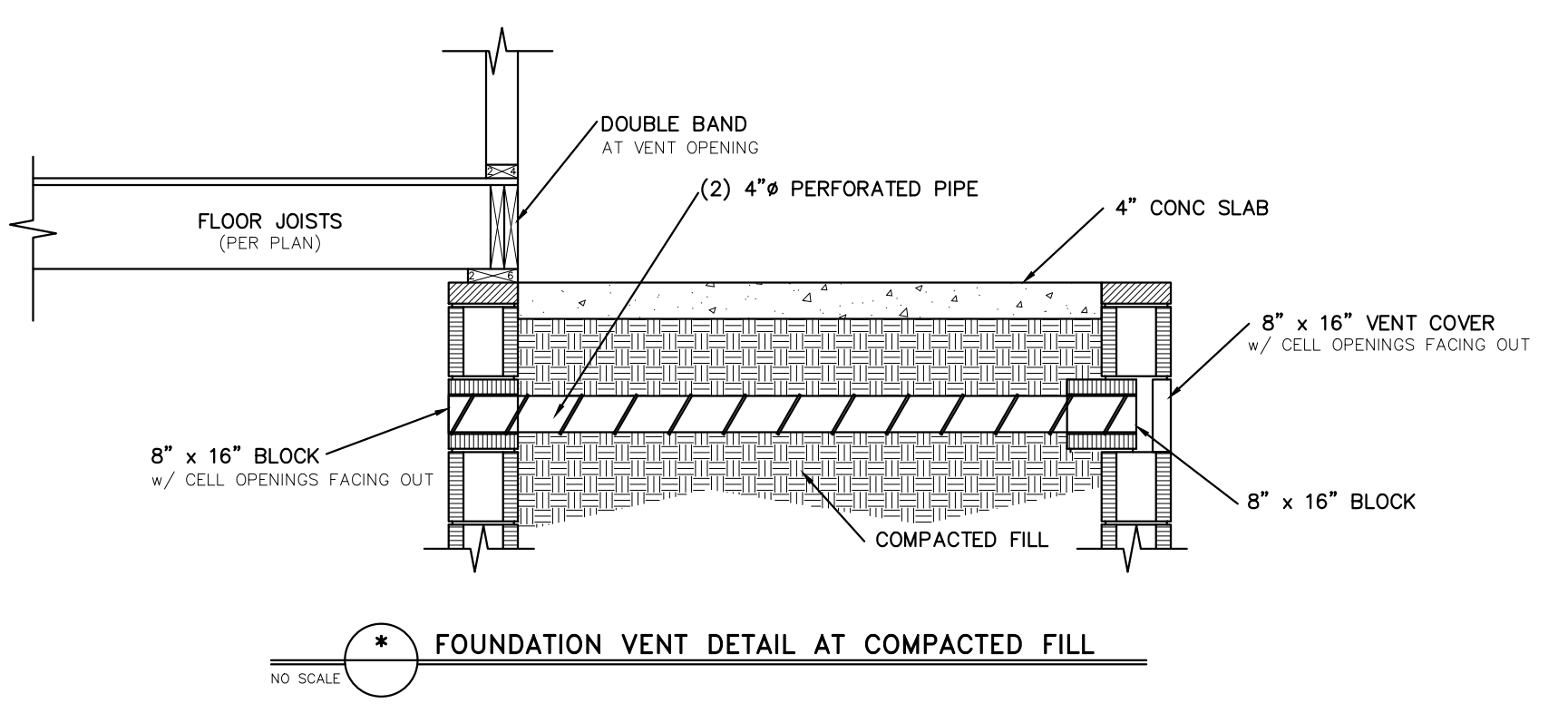
-OR-

___ SQ. FT. OF CRAWL SPACE / 1500 = ___ SQ. FT. OF REQ'D VENTILATION WITH CROSS VENTILATION
 ___ SQ. FT. OF VENTILATION REQ'D / 0.45 SQ.FT. PER VENT = ___ VENTS REQ'D²

- VENT LOCATIONS MAY VARY FROM THOSE SHOWN IN PLAN, HOWEVER VENTS SHALL BE PLACED TO PROVIDE ADEQUATE VENTILATION AT ALL POINTS AND TO PREVENT DEAD AIR POCKETS.
 - THE TOTAL AREA OF VENTILATION OPENINGS MAY BE REDUCED TO 1/500 OF THE CRAWL SPACE GROUND AREA WHERE THE REQUIRED OPENINGS ARE PLACED SO AS TO PROVIDE CROSS VENTILATION OF THE CRAWL SPACE. THE INSTALLATION OF ORNATE LOWERS SHALL NOT BE PERMITTED. ONE FOUNDATION VENT SHALL BE WITHIN 3 FEET OF EACH CORNER OF THE BUILDING. TO PREVENT RAINWATER ENTRY WHEN THE CRAWL SPACE IS BUILT ON A SLOPE, THE UPRIGHT FOUNDATION WALLS MAY BE CONSTRUCTED WITHOUT WALL VENT OPENINGS. VENT DAMS SHALL BE PROVIDED WHEN THE BOTTOM OF THE FOUNDATION VENT OPENING IS LESS THAN 4 INCHES ABOVE THE FINISHED EXTERIOR GRADE.
- WALL VENTED CRAWL SPACES REQUIRE FULL COVERAGE GROUND VAPOR RETARDERS.



- ___ SQ. FT. OF ATTIC / 300 = ___ SQ. FT. INLETS/OUTLETS REQUIRED
- CALCULATION BASED ON VENTILATORS USED AT LEAST 3'-0" ABOVE THE COMB VENTS WITH THE BALANCE OF VENTILATION PROVIDED BY EAVE VENTS.
 - CATHEDRAL CEILING SHALL HAVE A 1" MINIMUM CLEARANCE BETWEEN THE BOTTOM OF THE ROOF DECK AND THE INSULATION.



*Engineers seal does not include construction means, methods, techniques, sequences, procedures or safety precautions.
 Any deviation or discrepancies on plans are to be brought to the immediate attention of Tyndall Engineering & Design, P.A. Failure to do so will void Tyndall Engineering & Design, P.A. liability.
 Please review these documents carefully. Tyndall Engineering & Design, P.A. will interpret that all dimensions, recommendations, etc. presented in these documents were developed acceptable over construction begins.

TYNDALL ENGINEERING & DESIGN P.A.
 200 Blinnwood Drive • Garner, NC 27529
 919.775.9200 • 919.775.9444
 www.tyndallengineering.com

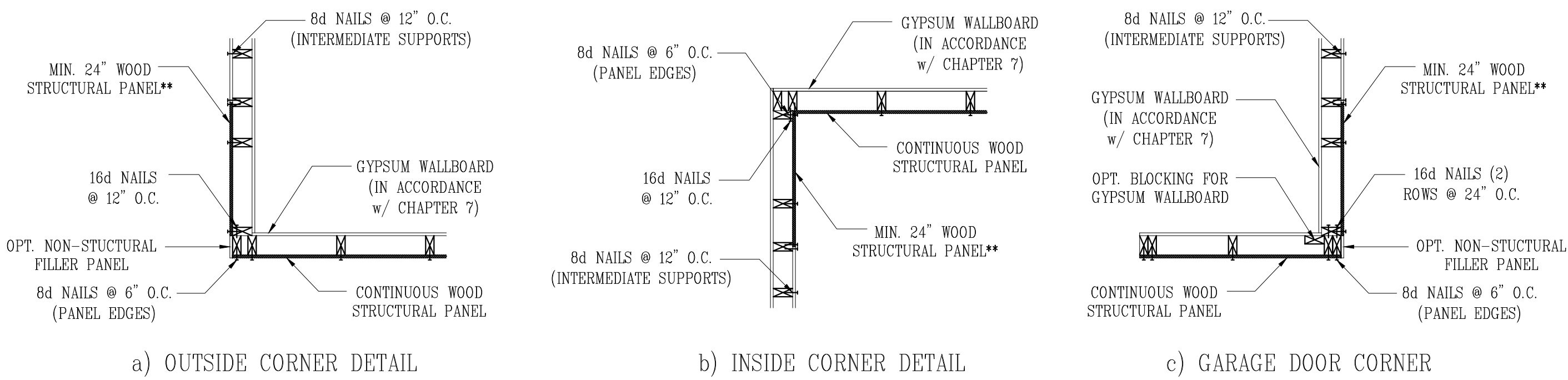
JON TAYLOR
 ASPIEN RIDGE PLAN

STANDARD DETAILS

Project #: 2001-010222
 Date: 6/3/20
 Drawn/Design By: IJE
 DWG. Checked By: PAT
 Scale: SEE PLAN

No.	Date	Remarks

Sheet Number
D1
 of 11



** IN LIEU OF THE 24" (MIN) CORNER RETURN, A HOLD-DOWN DEVICE WITH A MINIMUM UPLIFT DESIGN VALUE OF 800# SHALL BE PASTENED TO THE CORNER STUD AND TO THE FOUNDATION OR FRAMING BELOW.

B1: TYPICAL EXTERIOR CORNER FRAMING FOR CONTINUOUS SHEATHING
NO SCALE

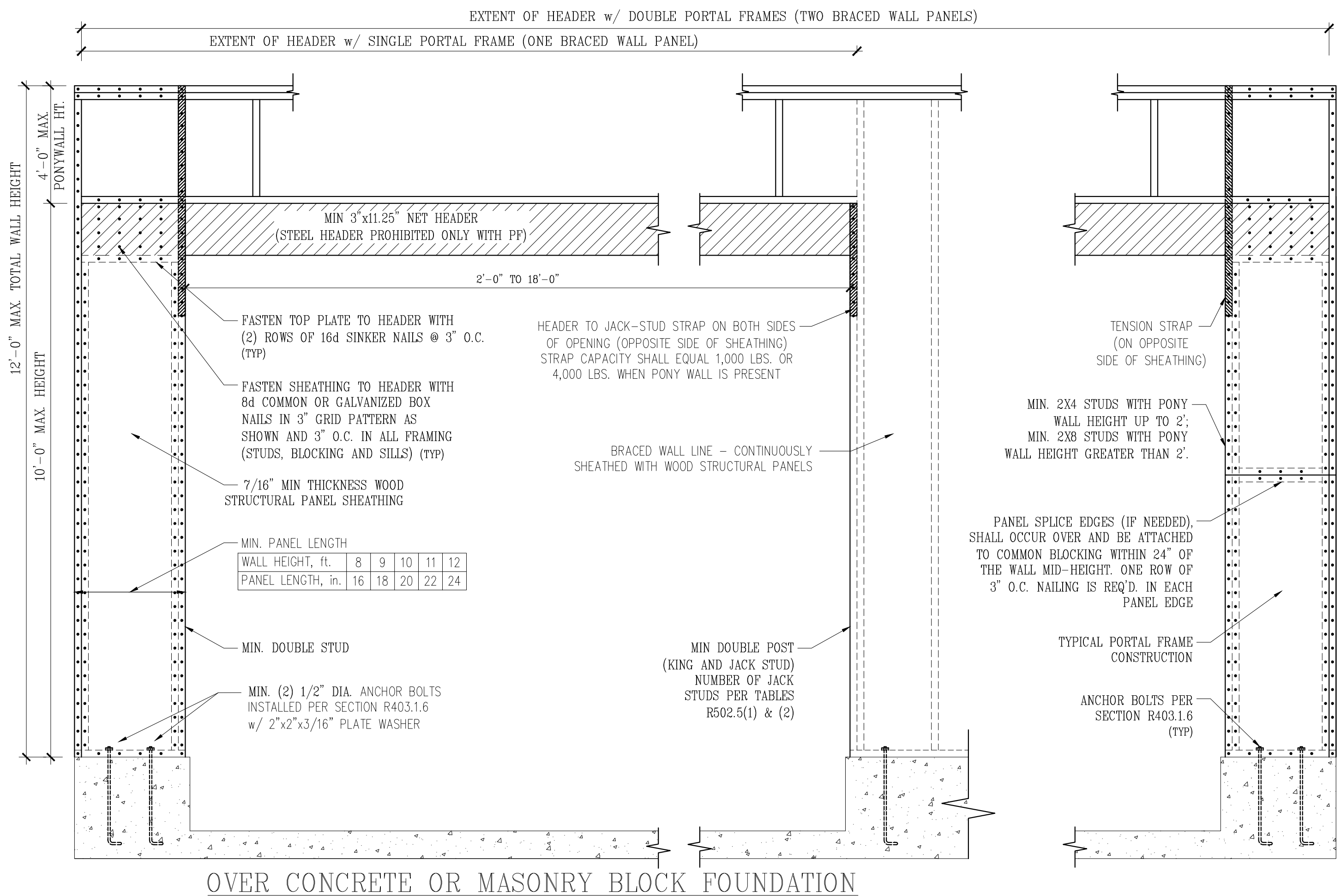
STRUCTURAL SHEATHING NOTES

- DESIGNED FOR SEISMIC ZONE A-C AND WIND SPEEDS OF 120 MPH OR LESS.
- WALLS SHALL BE BRACED IN ACCORDANCE WITH SECTION R602.10 OF THE 2018 NRCR.
- BRACING REQUIREMENTS SHALL BE PER TABLE R602.10.3, REFER TO SECTION R602.10.4 FOR LOAD PATH DETAILS INCLUDING CONNECTIONS & SUPPORT OF BRACED WALL PANELS.
 - REFERENCE FIGURE R602.10.4.3 OF THE 2018 NRCR.
- INTERIOR BRACED WALL PANELS (BWP) INDICATED SHALL BE SHEATHED IN ACCORDANCE WITH THE GB METHOD OR WSP METHOD AS PRESCRIBED IN SECTION R602.10.1 (UNO)
 - 1/2" GYPSUM BOARD (GB) MINIMUM LENGTH OF 8'-0" (ISOLATED PANELS) OR 4'-0" (CONTINUOUS SHEATHING), SECURE w/ 5d COOLER NAILS (OR EQUAL PER TABLE R702.3.5) SPACED @ 7" O.C. AT PANEL EDGES, INCLUDING TOP AND BOTTOM PLATES & 7" O.C. AT INTERMEDIATE SUPPORTS
 - 3/8" WOOD STRUCTURAL PANEL (WSP) SECURE w/ 6d COMMON NAILS SPACED AT 6" O.C. AT PANEL EDGES AND 12" O.C. AT INTERMEDIATE SUPPORTS
- EXTERIOR BRACED WALL PANELS (BWP) SHALL BE CONSTRUCTED IN ACCORDANCE WITH CS-WSP METHOD AS PRESCRIBED IN SECTION R602.10.3 (UNO)
- ALL SHEATHABLE SURFACES OF EXTERIOR WALLS (INCLUDING AREAS ABOVE AND BELOW OPENINGS AND GABLE END WALLS) SHALL BE CONTINUOUSLY SHEATHED WITH WOOD STRUCTURAL PANEL (WSP) SHEATHING WITH A MINIMUM THICKNESS OF 3/8", SHEATHING SHALL BE SECURED WITH MINIMUM 6d COMMON NAILS SPACED AT 6" O.C. AT PANEL EDGES AND SPACED AT 12" O.C. AT INTERMEDIATE SUPPORTS
- MINIMUM BRACED WALL PANEL LENGTHS WITH CS-WSP METHOD SHALL BE AS FOLLOWS:
 - 24" ADJACENT TO OPENINGS NOT MORE THAN 67% OF WALL HEIGHT
 - 30" ADJACENT TO OPENINGS GREATER THAN 67% AND LESS THAN 85% OF WALL HEIGHT
 - 48" FOR OPENINGS GREATER THAN 85% OF WALL HEIGHT
- SHEATH INTERIOR & EXTERIOR
- FOR CS-WSP METHOD, A MINIMUM 24" BRACED WALL PANEL CORNER RETURN SHALL BE PROVIDED AT BOTH ENDS OF A BRACED WALL LINE IN ACCORDANCE WITH FIGURE R602.10.3.14. IN LIEU OF A CORNER RETURN, EITHER A MIN. 48" BRACED WALL PANEL SHALL BE PROVIDED AT THE CORNER OR A HOLD-DOWN DEVICE WITH A MINIMUM UPLIFT DESIGN VALUE OF 800# SHALL BE FASTENED TO THE EDGE OF THE BRACED WALL PANEL CLOSEST TO THE CORNER AND TO THE FOUNDATION OR FRAMING BELOW.
 - MINIMUM 800# HOLD-DOWN DEVICE

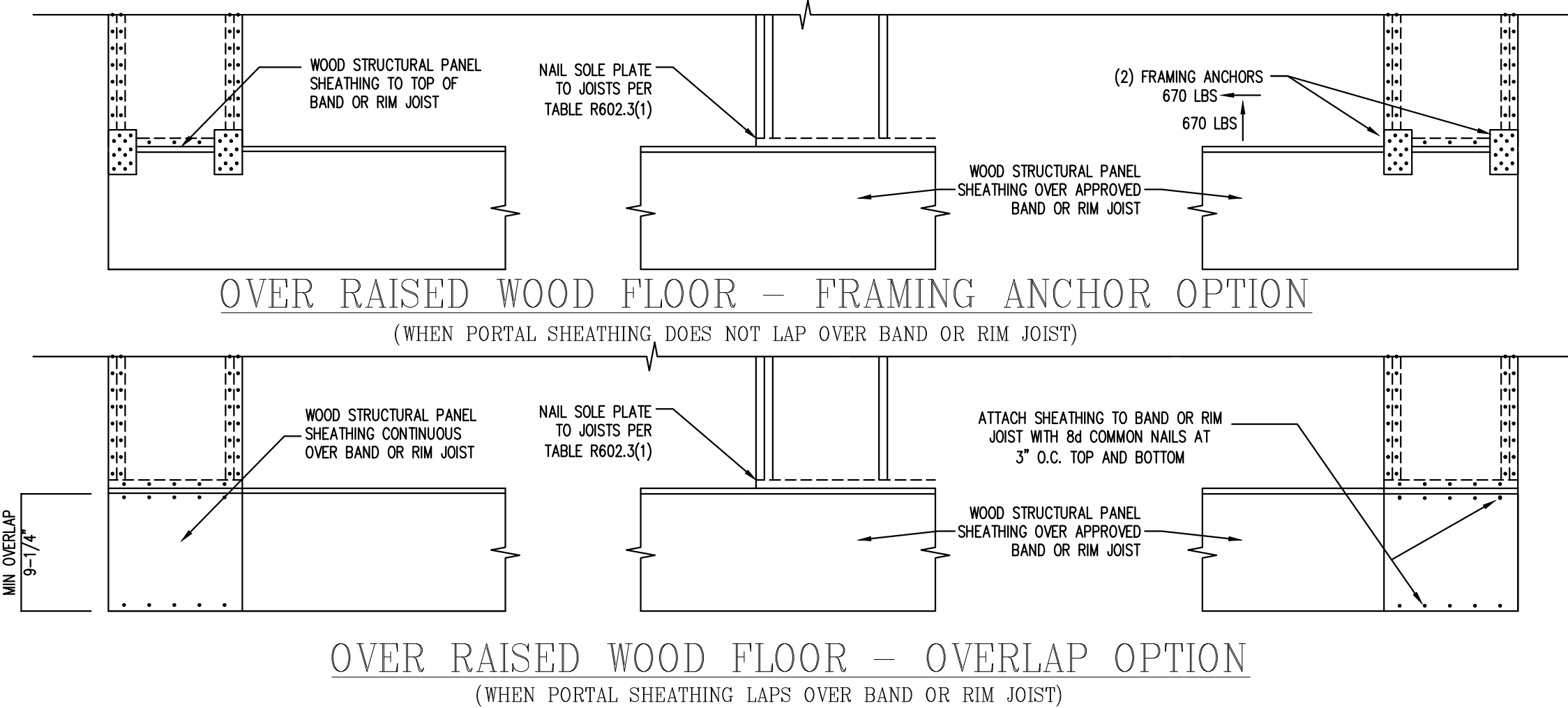
REQUIRED BRACED WALL PANEL CONNECTIONS				
METHOD	MATERIAL	MIN. THICKNESS	REQUIRED CONNECTION	
			@ PANEL EDGES	@ INTERMEDIATE SUPPORTS
CS-WSP	WOOD STRUCTURAL PANEL	3/8"	6d COMMON NAILS @ 6" O.C.	6d COMMON NAILS @ 12" O.C.
GB	GYPSUM BOARD	1/2"	5d COOLER NAIL** @ 7" O.C.	5d COOLER NAIL** @ 7" O.C.
WSP	WOOD STRUCTURAL PANEL	3/8"	6d COMMON NAILS @ 6" O.C.	6d COMMON NAILS @ 12" O.C.

**OR EQUIVALENT PER TABLE R702.3.5

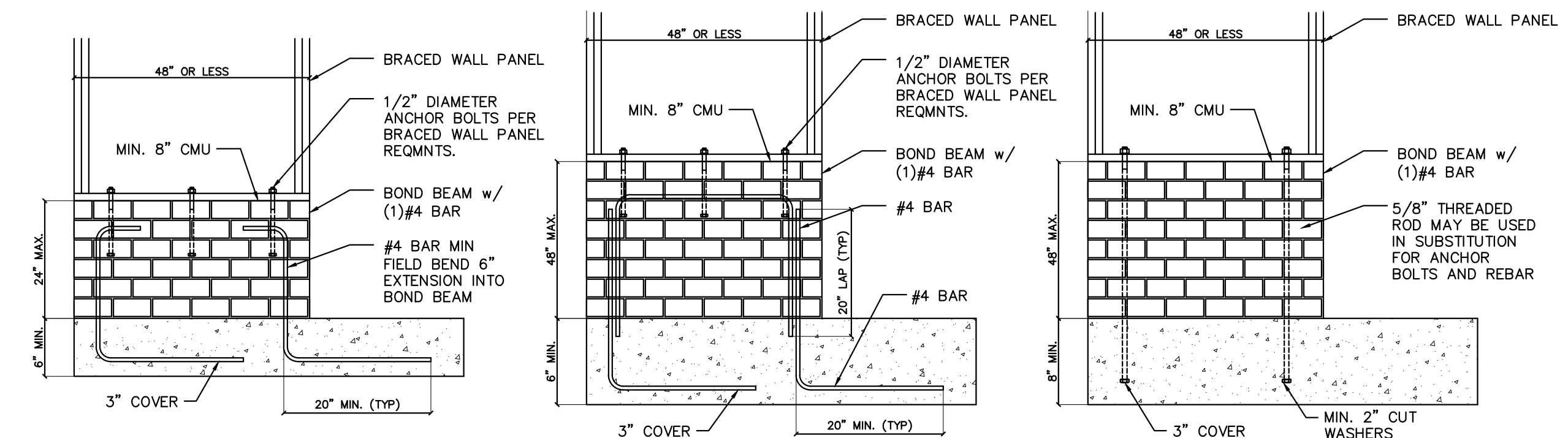
B3: BRACE WALL PANEL CONNECTIONS
NO SCALE



OVER CONCRETE OR MASONRY BLOCK FOUNDATION



B2: METHOD CS-PF: CONTINUOUSLY SHEATHED PORTAL FRAME
FIGURE R602.10.1



B4: MASONRY STEM WALL SUPPORTING BRACED WALL PANELS
FIGURE R602.10.4.3 OF THE 2018 NRCR
NOTE: GROUT BOND BEAMS AND ALL CELLS WHICH CONTAIN REBAR, THREADED RODS AND ANCHOR BOLTS

*Engineers seal does not include construction means, methods, techniques, sequences, procedures or safety precautions.
Any deviation or discrepancies on plans are to be brought to the immediate attention of Tyndall Engineering & Design, P.A. Failure to do so will void Tyndall Engineering & Design, P.A. liability.
*Please review these documents carefully. Tyndall Engineering & Design, P.A. will interpret that all dimensions, recommendations, etc. presented in these documents were deemed acceptable once construction begins.

TYNDALL
ENGINEERING & DESIGN P.A.
024889
PROFESSIONAL ENGINEER
JON TAYLOR
180 Blythe Dr. • Denver • CO 80202
303.733.1000 • 303.775.4444
www.tyndallengineering.com

JON TAYLOR
ASPEN RIDGE PLAN

SHEATHING DETAILS

Project #: 2001-010222
Date: 6/3/20
Drawn/Design By: IJE
DWG. Checked By: PAT
Scale: SEE PLAN

REVISIONS		
No.	Date	Remarks

Sheet Number
D3
of 11

FILENAME: Z:\RESIDENTIAL ENCL\2003 STRUCTURAL PROJECTS\2001-010222 - CHRS TYNDALL\2001-010222.DWG - JON TAYLOR - ASPEN RIDGE PLAN\2001-010222 - CHRS TYNDALL\2001-010222.DWG - JON TAYLOR - ASPEN RIDGE PLAN\2001-010222 - CHRS TYNDALL\2001-010222.DWG - JON TAYLOR - ASPEN RIDGE PLAN\2001-010222 - CHRS TYNDALL\2001-010222.DWG