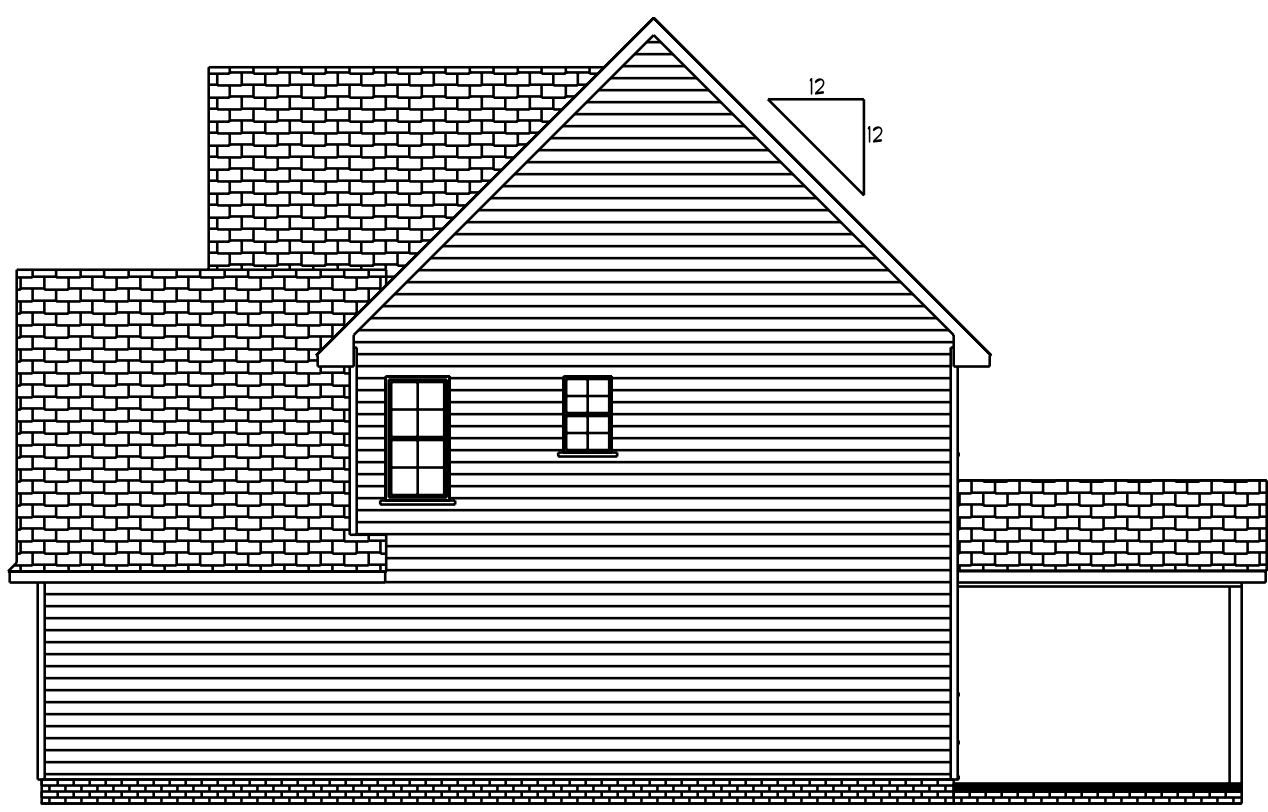
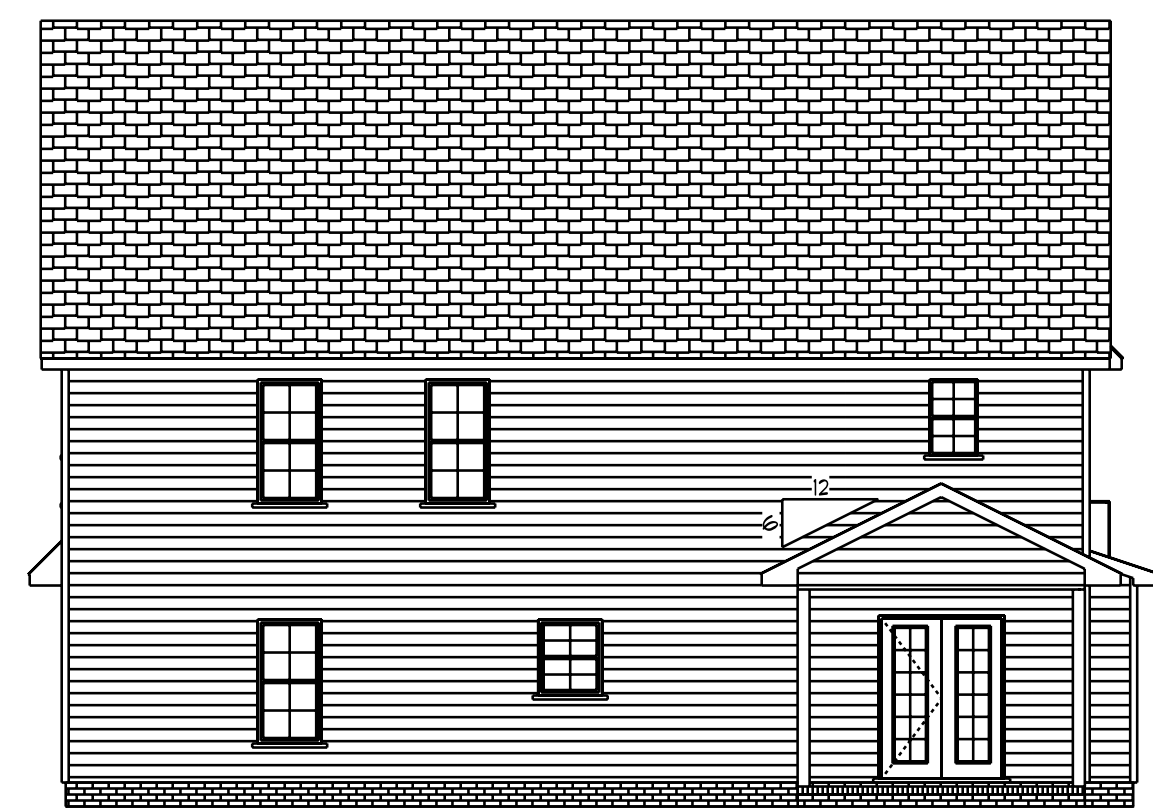




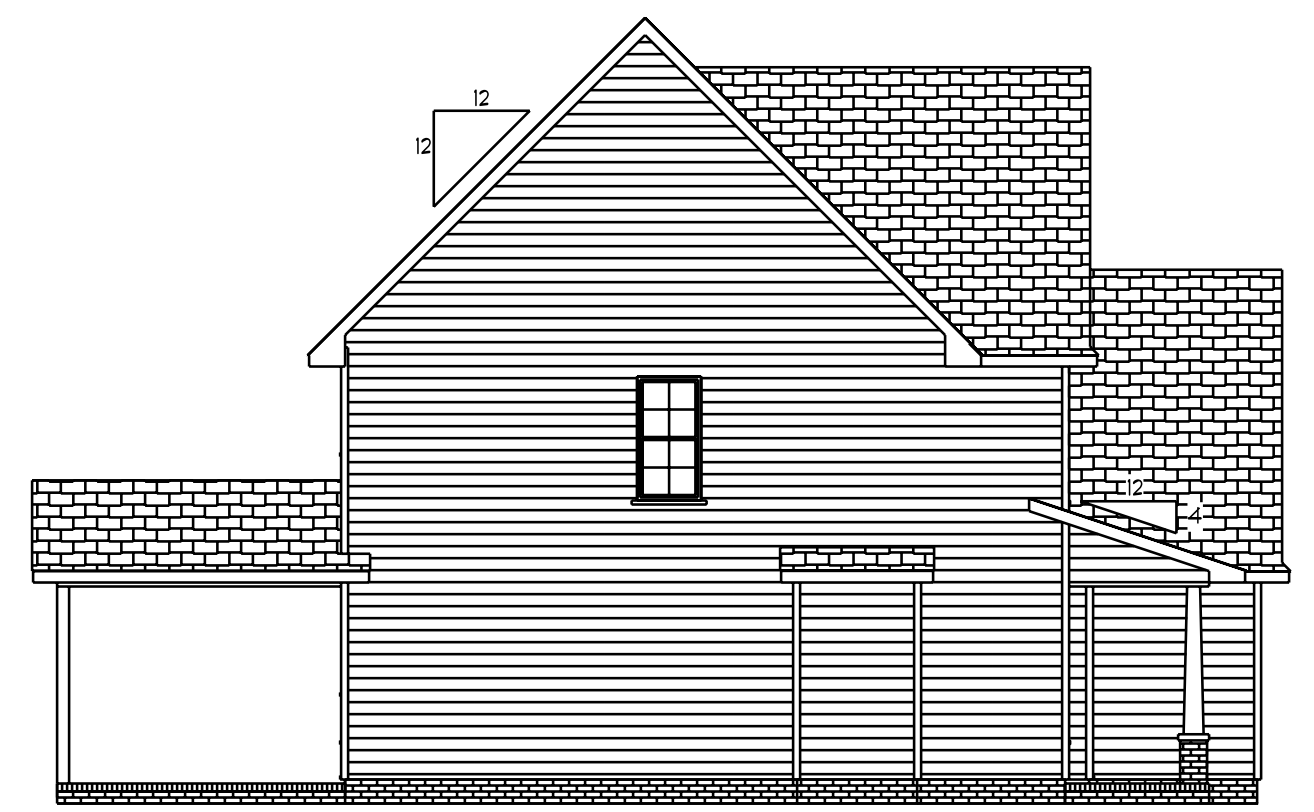
Front Elevation  
Scale: 1/4" = 1'0"



Right Elevation  
Scale: 1/8" = 1'0"



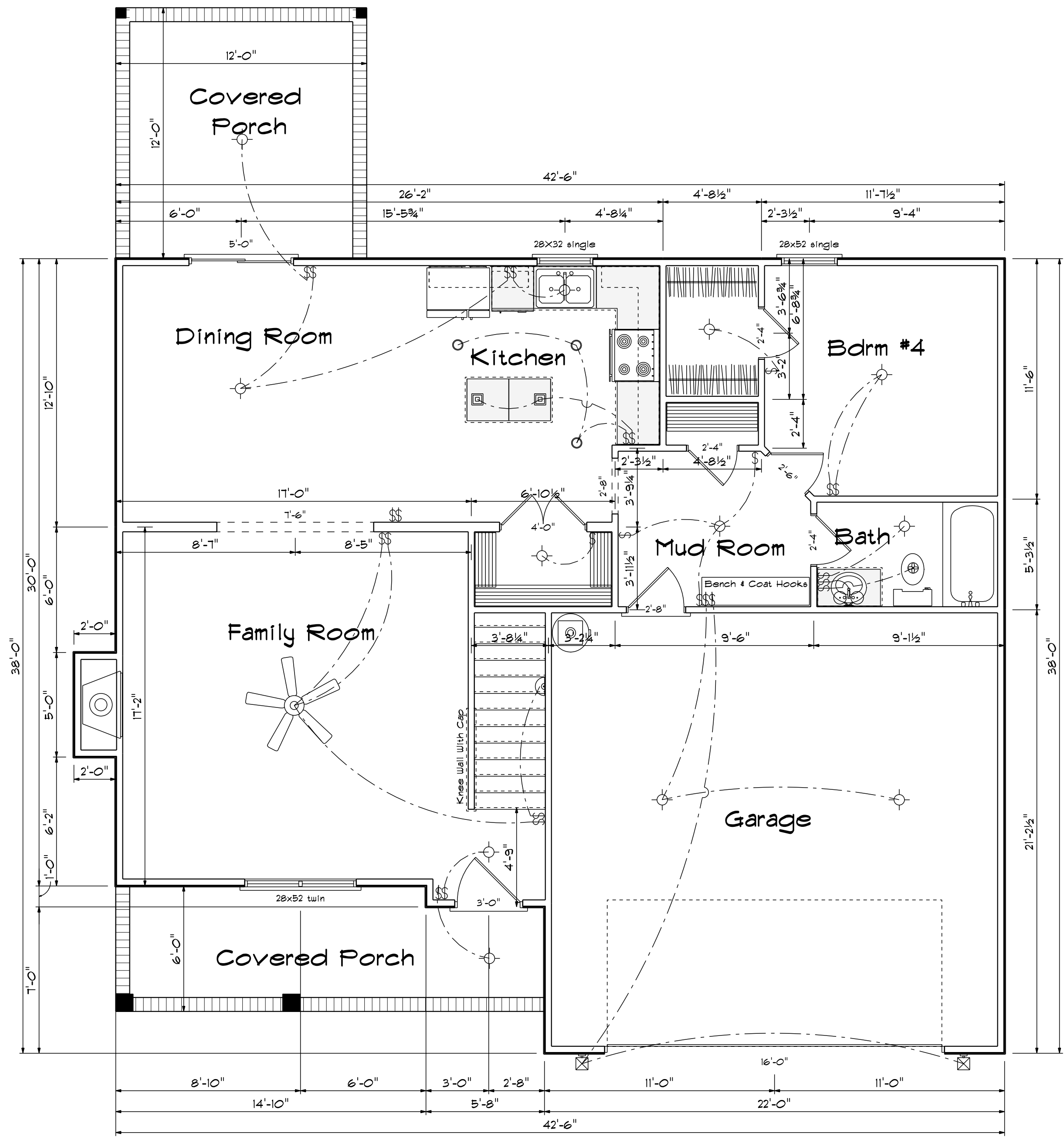
Rear Elevation  
Scale: 1/8" = 1'0"



Left Elevation  
Scale: 1/8" = 1'0"

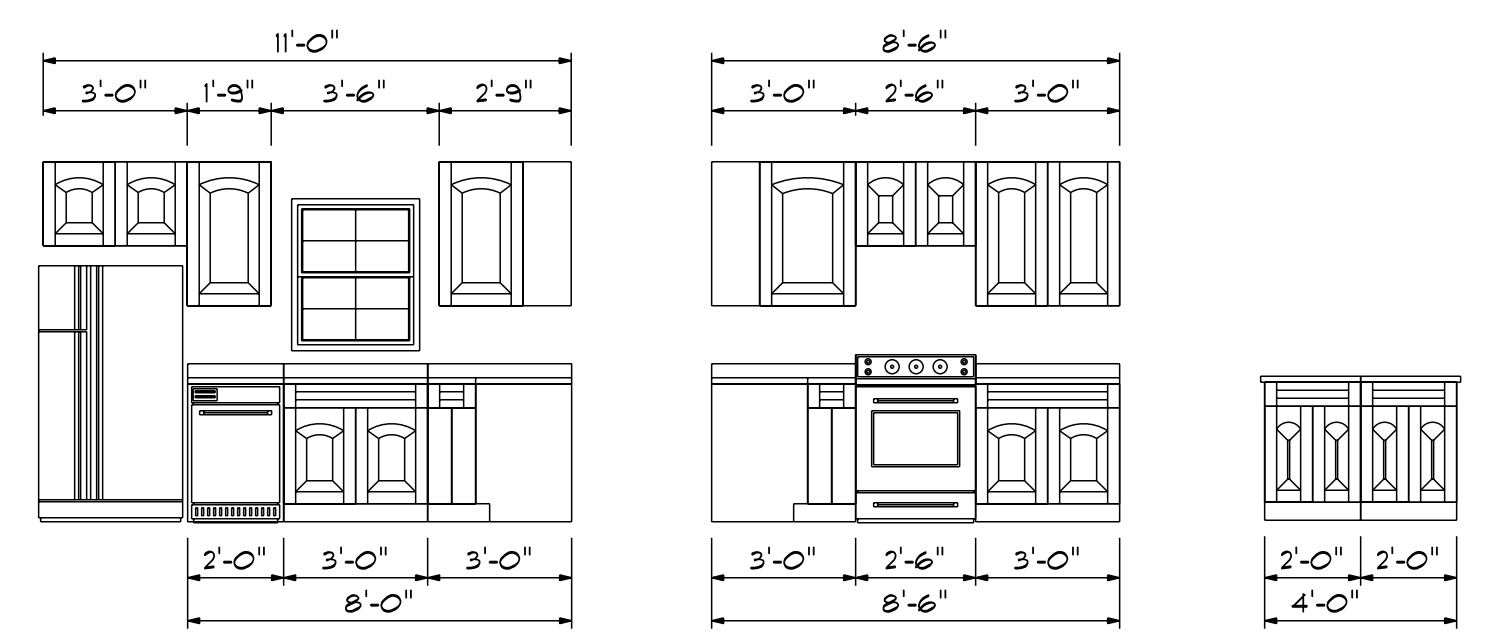
DATE: 4/11/2020  
REVISED  
DRAWING\*  
SCALE: 1/4"  
DRAWN BY  
APPROVED

The Fawnbrook



First Floor Plan

Kitchen Cabinets



FIRST FLOOR OPENING SCHEDULE			
PRODUCT CODE	SIZE	HINGE	COUNT
36X80 COLONIAL A 1	3'-0"	R	1
60X80 FRENCH PATIO DOOR	5'-0"	RN	1
192X84 - 8 PANEL - 4 WINDOW	16'-0"	U	1
2-4 Door Unit	2'-4"	R	1
2-4 Door Unit	2'-4"	L	2
2-6 Door Unit	2'-6"	L	1
2-8 Door Unit	2'-8"	L	1
4-0 Doublehung Door Unit	4'-0"	LR	1
28X32 single	2'-8" x 3'-2"	N	1
28x52 single	2'-8" x 5'-2"	N	1
28x52 twin	5'-4" x 5'-2"	NN	1

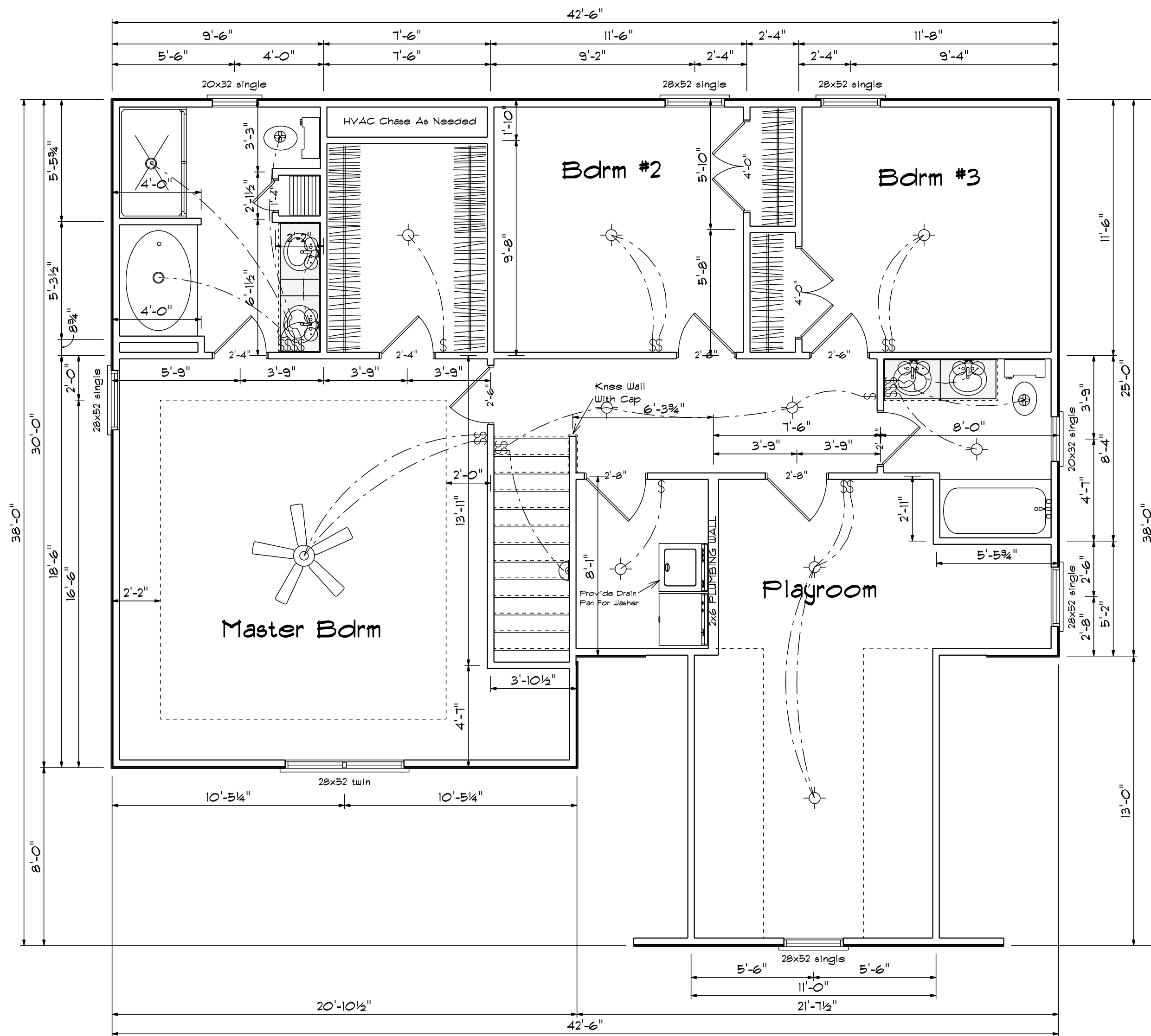
Areas

First Floor	1003
Second Floor	1285
-----	
Total Heated	2288
Garage	461
Front Porch	116
Covered Porch	144

DATE: 4/11/2020  
 REVISIONS  
 DRAWING#

SCALE: 1/4"  
 DRAWN BY  
 APPROVED

The Fawnbrook



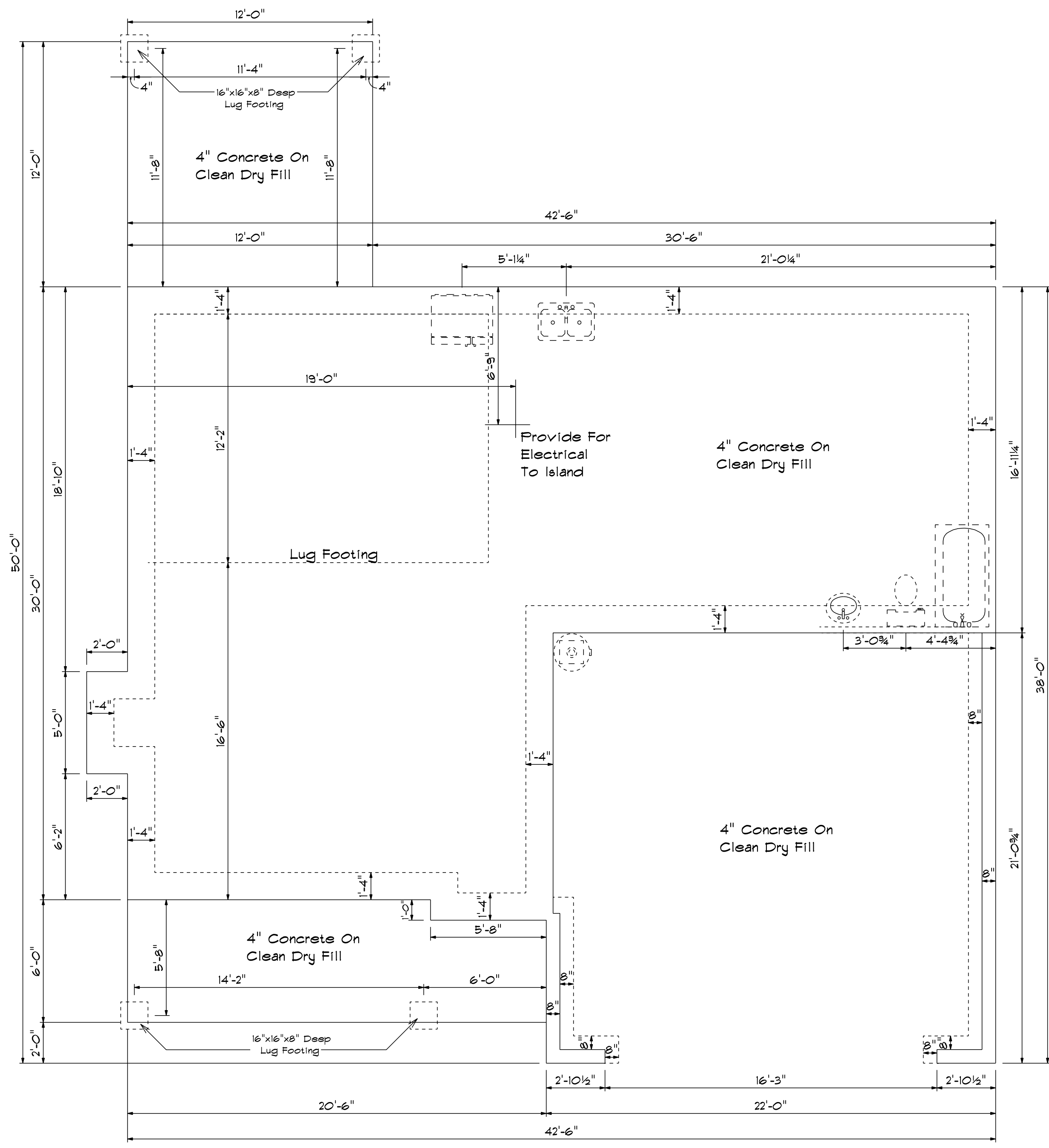
Second Floor Plan

SECOND FLOOR OPENING SCHEDULE			
PRODUCT CODE	SIZE	HINGE	COUNT
1-6 Door Unit	1'-4"	R	1
2-4 Door Unit	2'-4"	R	1
2-4 Door Unit	2'-4"	L	2
2-6 Door Unit	2'-6"	R	2
2-6 Door Unit	2'-6"	L	1
2-8 Door Unit	2'-8"	R	2
4-0 Doublehung Door Unit	4'-0"	LR	2
20x32 single	2'-0" x 3'-2"	N	2
28x52 single	2'-8" x 5'-2"	N	5
28x52 twin	5'-4" x 5'-2"	NN	1

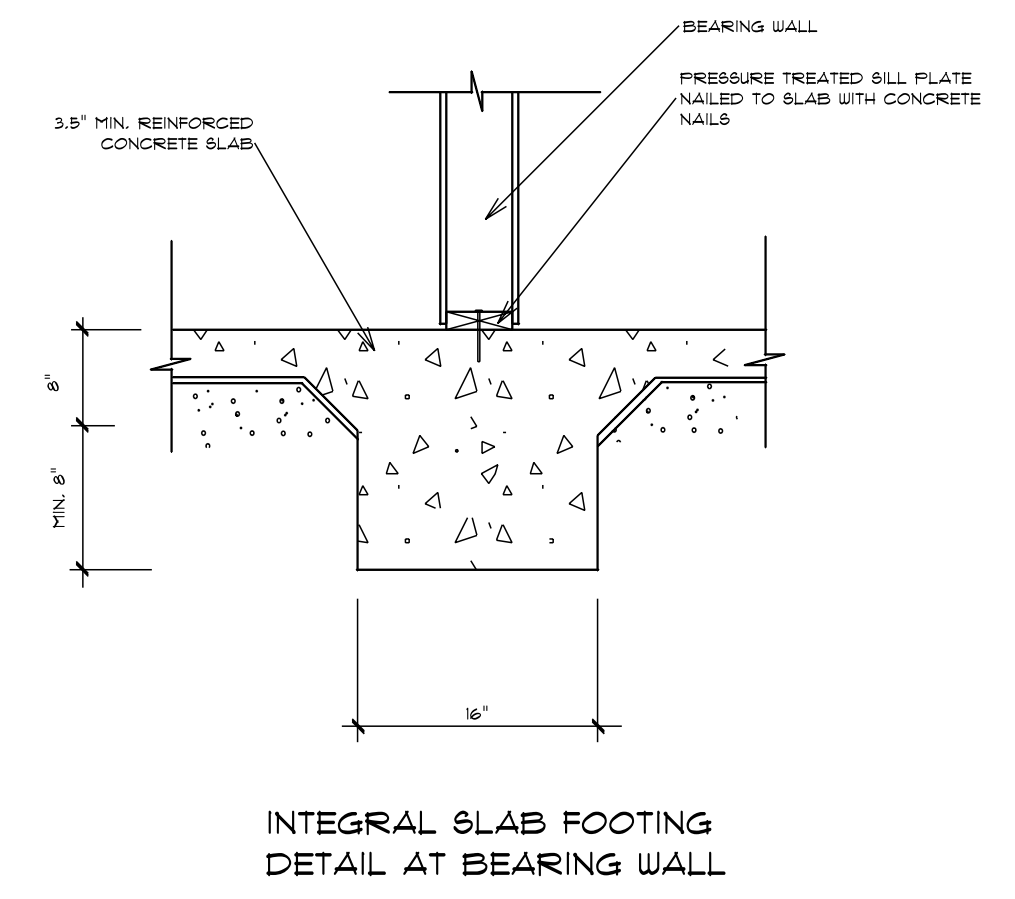
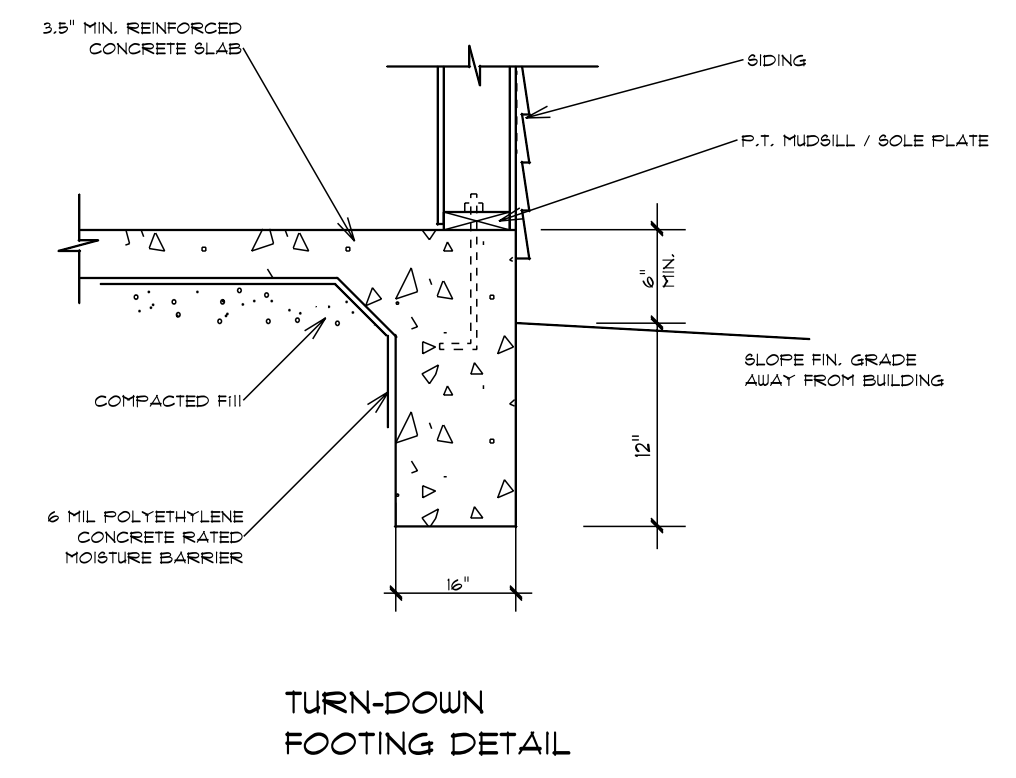
DATE: 4/11/2020  
 REVISIONS  
 DRAWING#

SCALE: 1/4"  
 DRAWN BY  
 APPROVED

The Fawnbrook



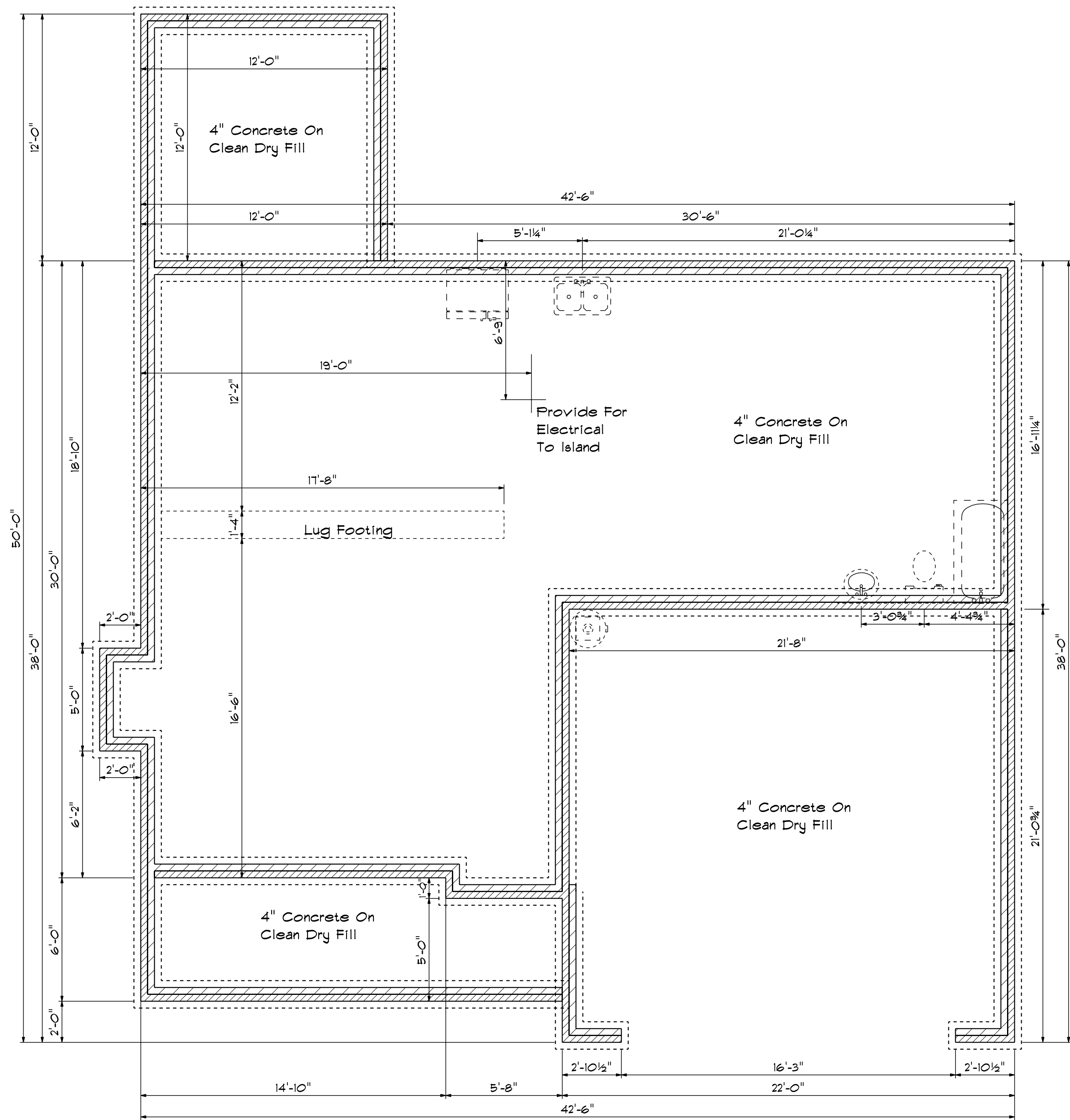
Foundation Plan



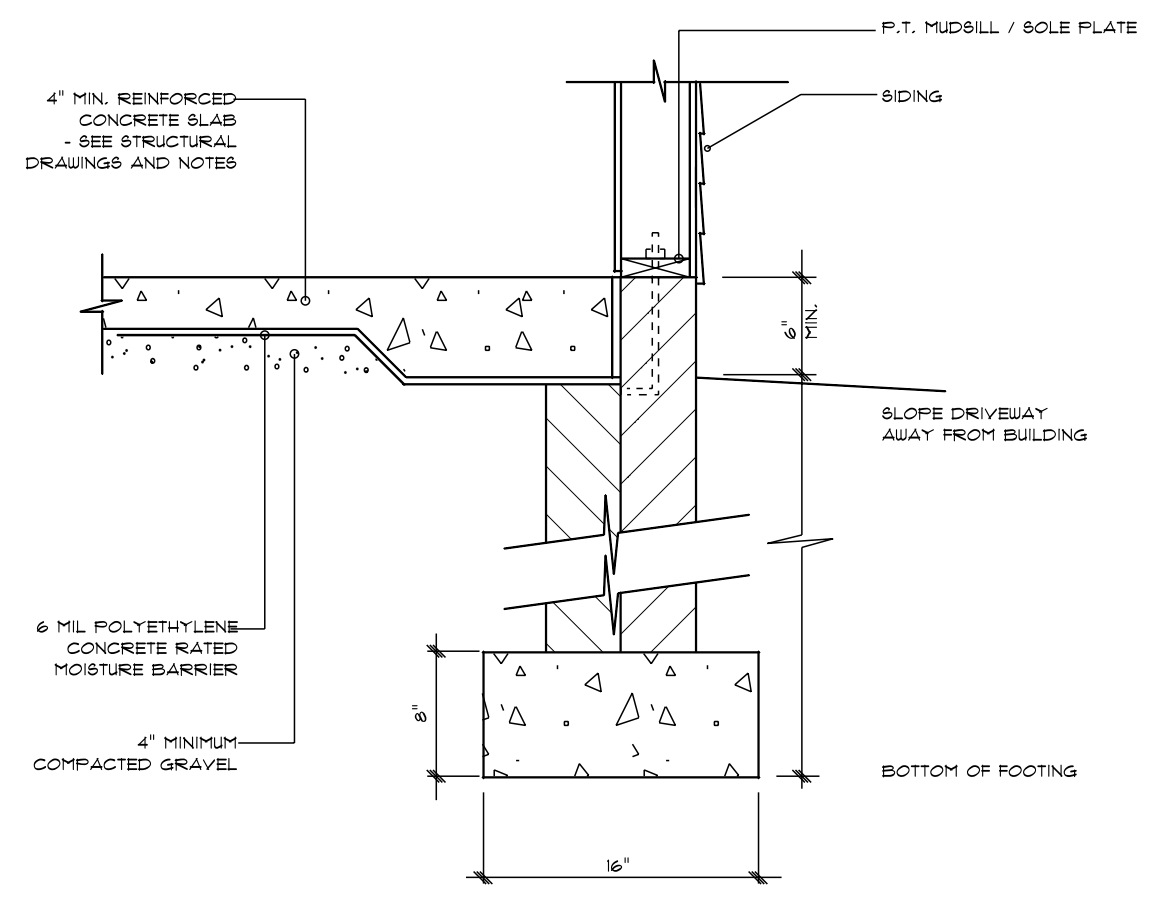
DATE: 4/11/2020  
 REVISED  
 DRAWING#

SCALE: 1/4"  
 DRAWN BY  
 APPROVED

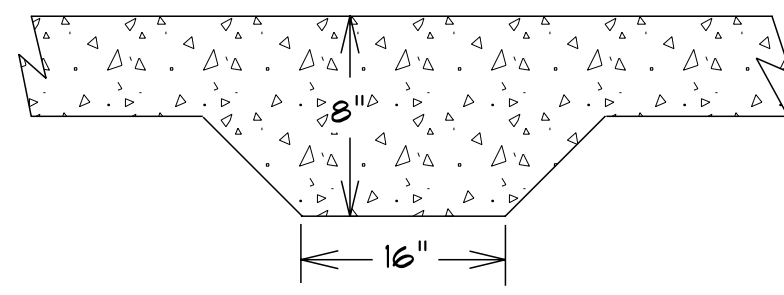
The Fawnbrook



Foundation Plan



STEM WALL FOOTING DETAIL



LUG FOOTING DETAIL

DATE: 4/11/2020  
 REVISED  
 DRAWING#

SCALE: 1/4"  
 DRAWN BY  
 APPROVED

The Fawnbrook