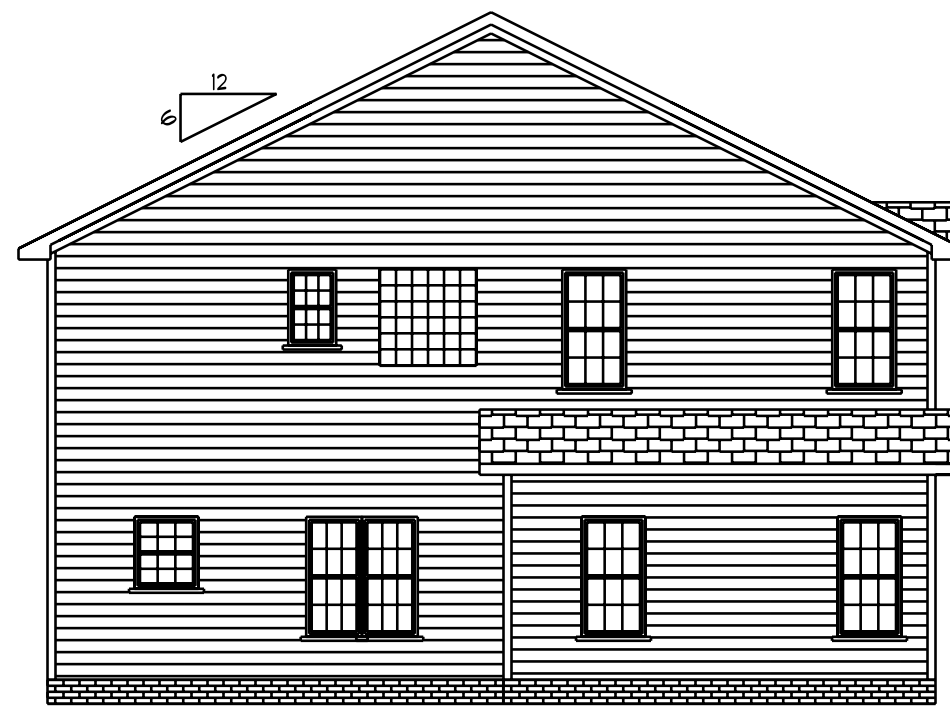
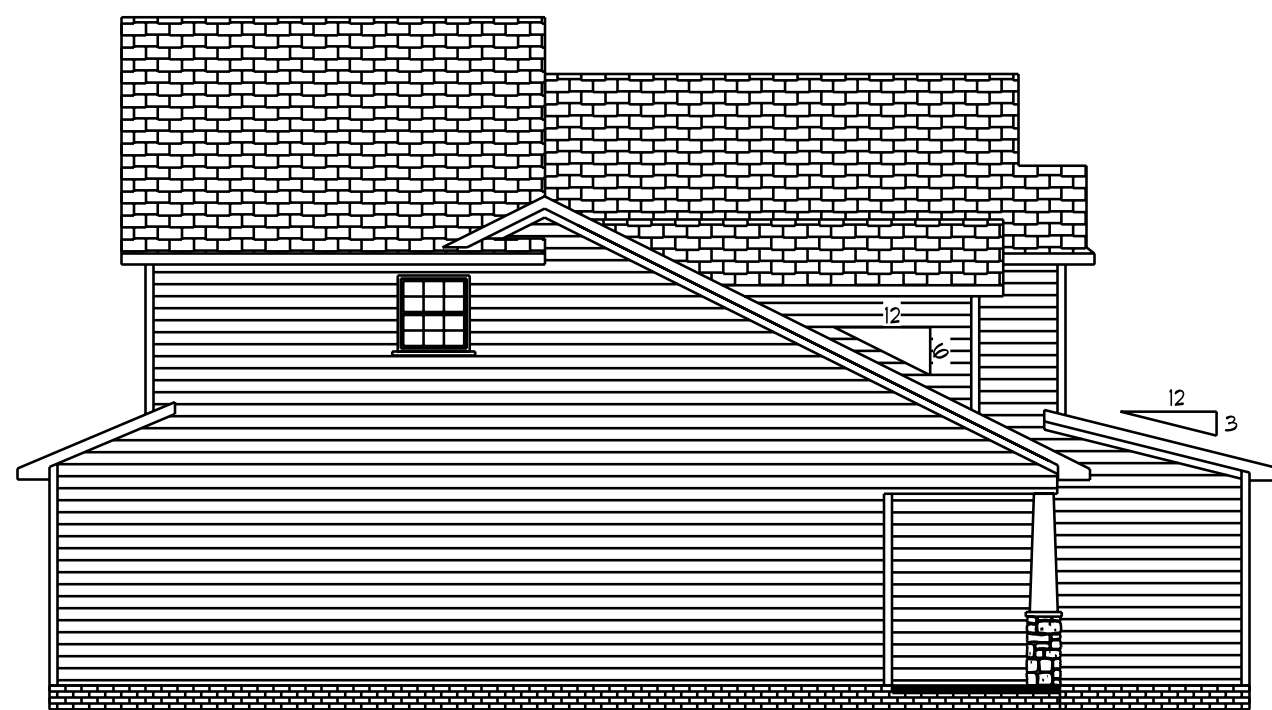


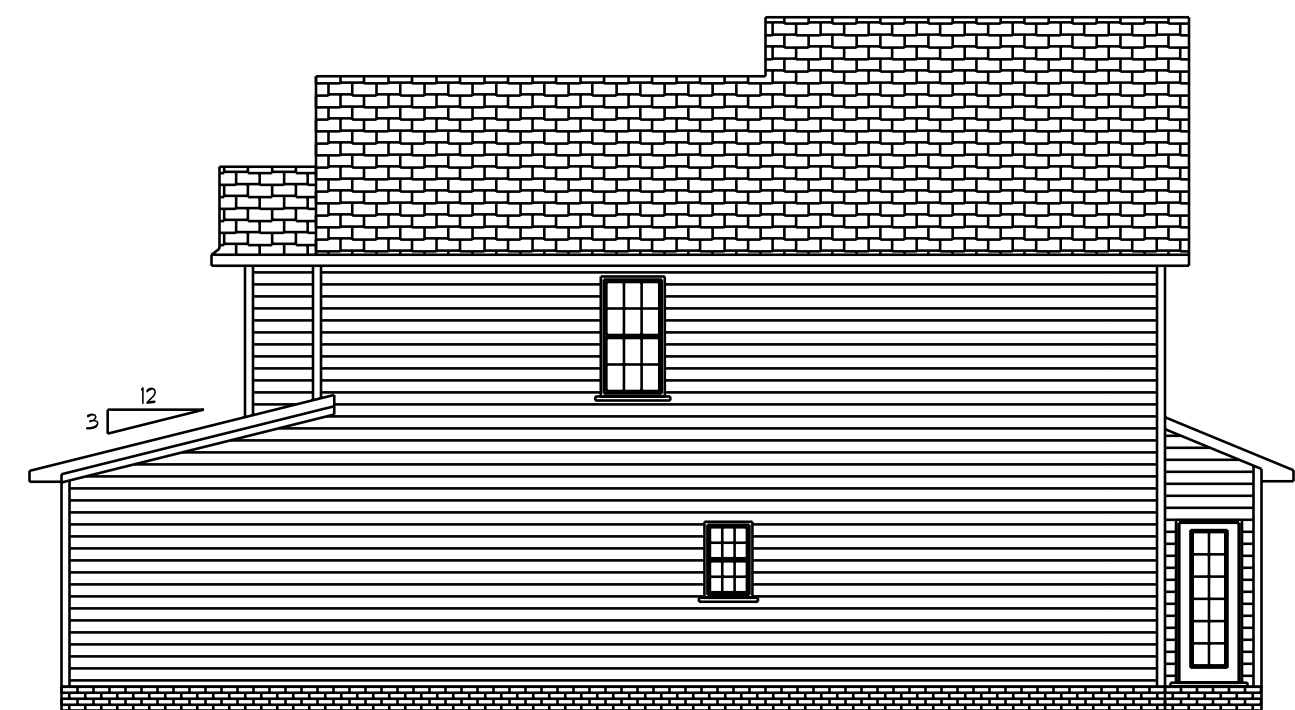
Front Elevation
Scale: 1/4" = 1'-0"



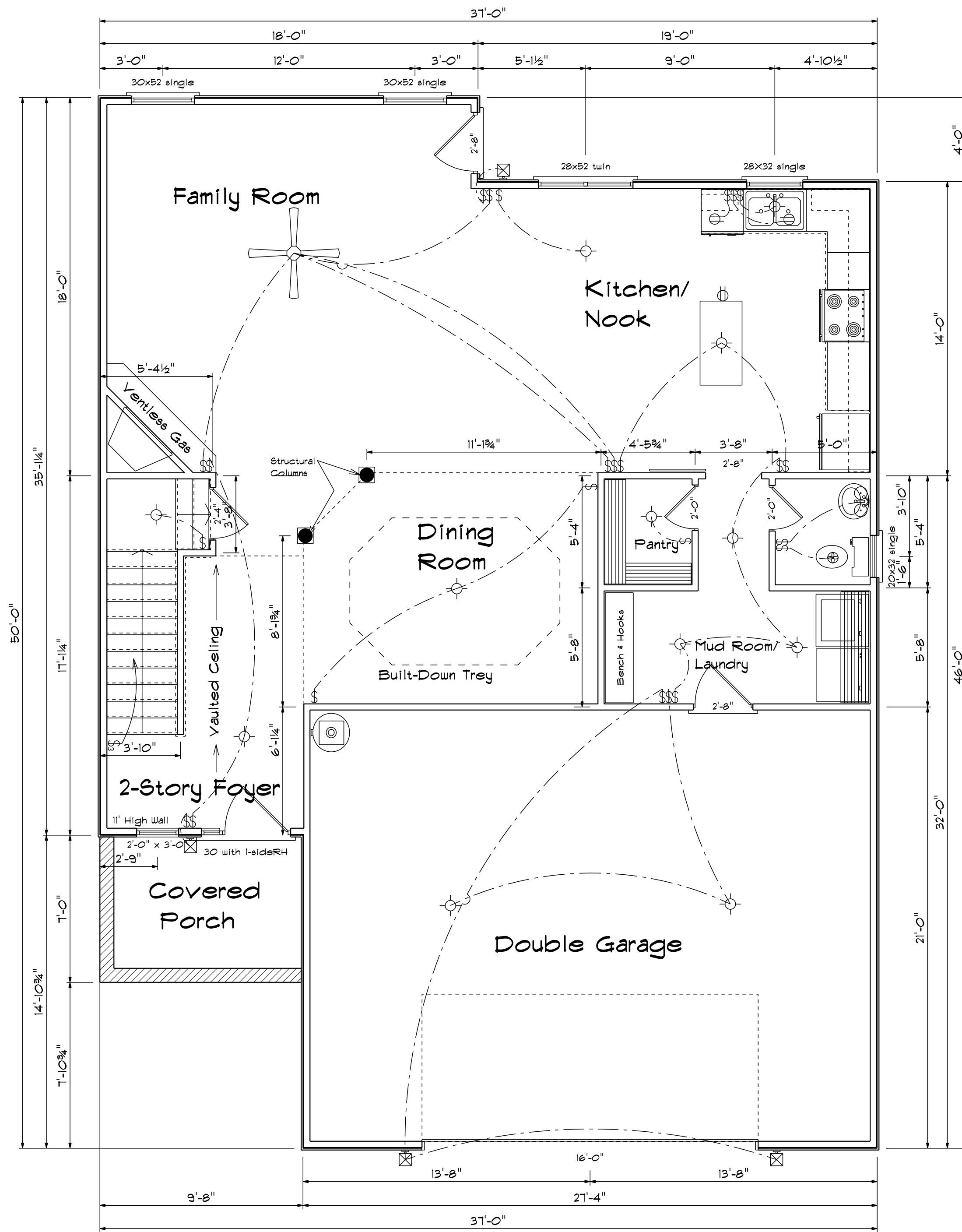
Rear Elevation
Scale: 1/8" = 1'-0"



Left Elevation
Scale: 1/8" = 1'-0"

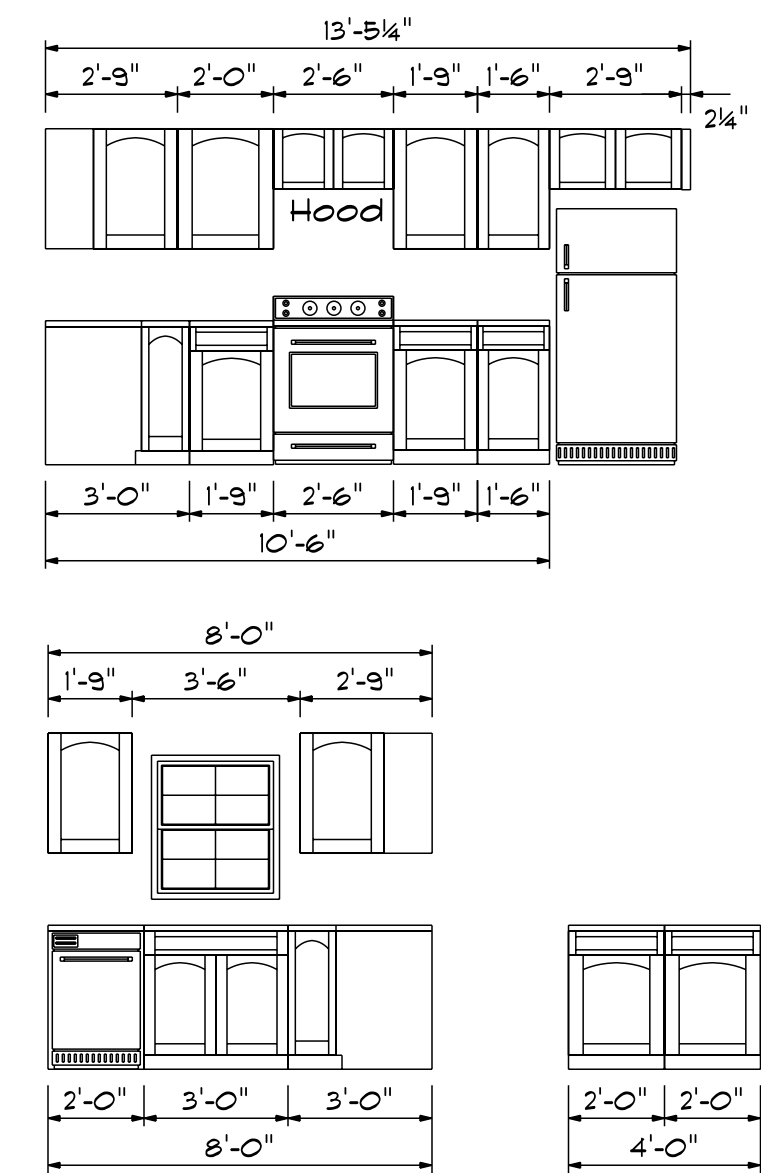


Right Elevation
Scale: 1/8" = 1'-0"



First Floor Plan

Kitchen Cabinets



Dimensions

Exterior measurements are to outside of sheathing on siding walls.
Interior measurements are to center of interior walls and outside of sheathing to exterior walls.

Areas

First Flr. Sq.ft.	1068
Second Flr. Sq.ft.	1165
=====	
Total Heated	2233
Garage	585
Porch	66

First Floor Openings

OPENING SCHEDULE			
PRODUCT CODE	SIZE	HINGE	COUNT
30 with l-siderRH	4'-3"	NA	1
32X80 FRENCH A 1	2'-8"	R	1
192X84 - 1 PANEL	16'-0"	U	1
36x80 BARN DOOR	2'-8"	L	1
2-0 Door Unit	2'-0"	L	1
2-0 Door Unit	2'-0"	R	1
2-4 Door Unit	2'-4"	L	1
2-8 Door Unit	2'-8"	R	1
20x32 single	2'-0" x 3'-2"	N	1
28X32 single	2'-8" x 3'-2"	N	1
28x52 twin	4'-6" x 5'-2"	NN	1
30x52 single	3'-0" x 5'-2"	N	2
24X36 OVAL	2'-0" x 3'-0"	N	1

Base Designs
2121 Chimney Pt.
Linden N.C. 28356
910-864-1253

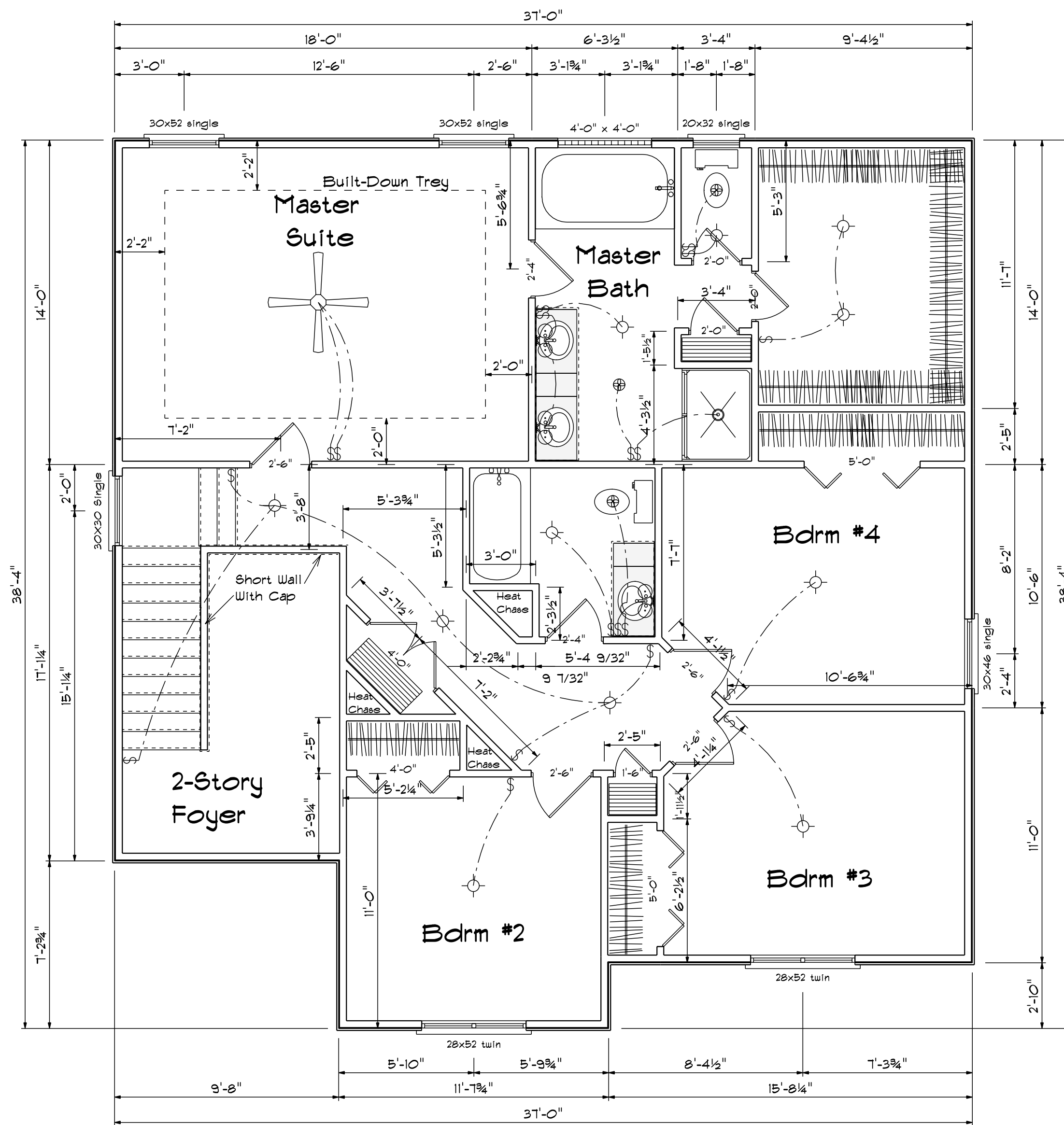
DATE Thursday, August 22, 2019

SCALE 1/4"

DRAWN BY

APPROVED

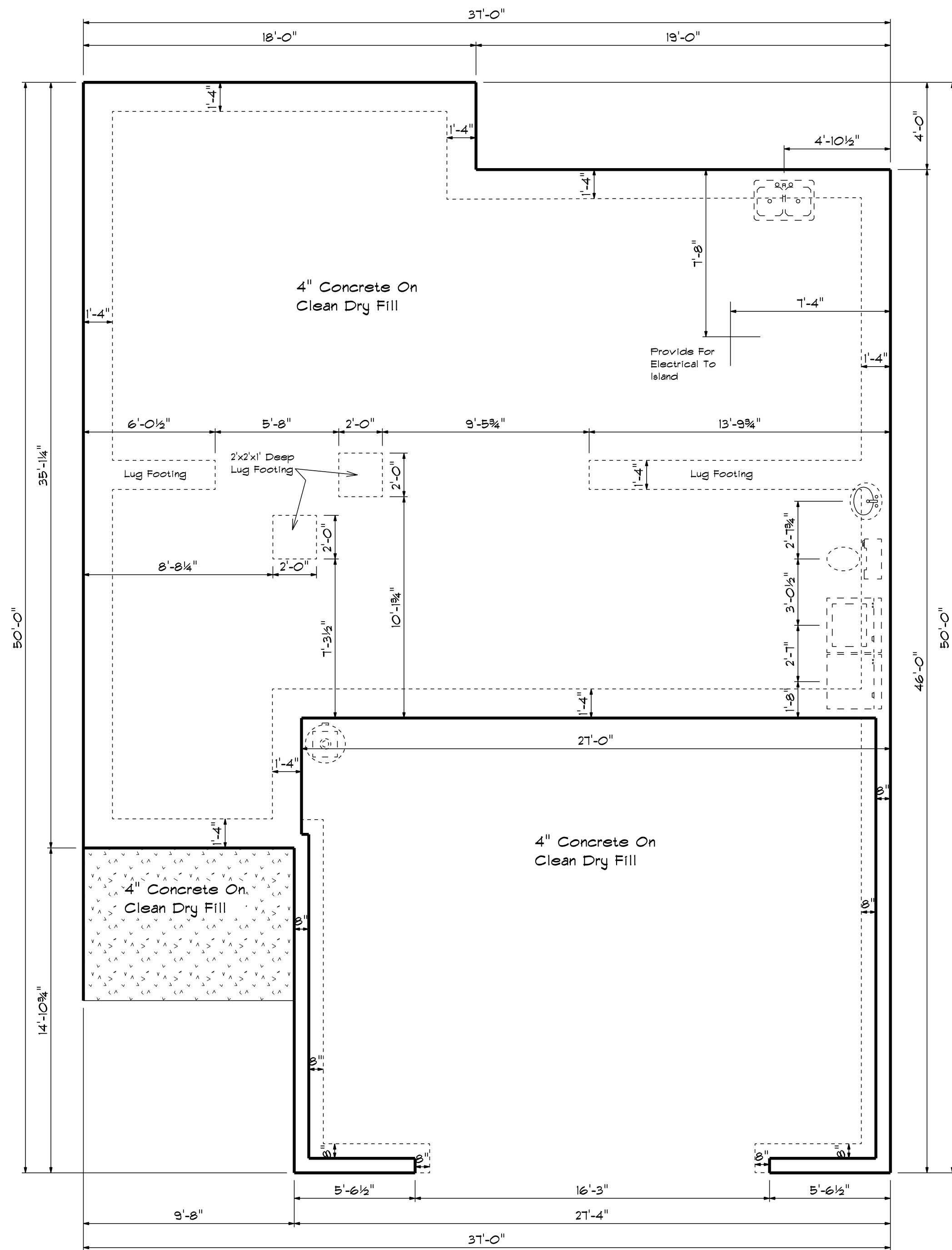
REVISED



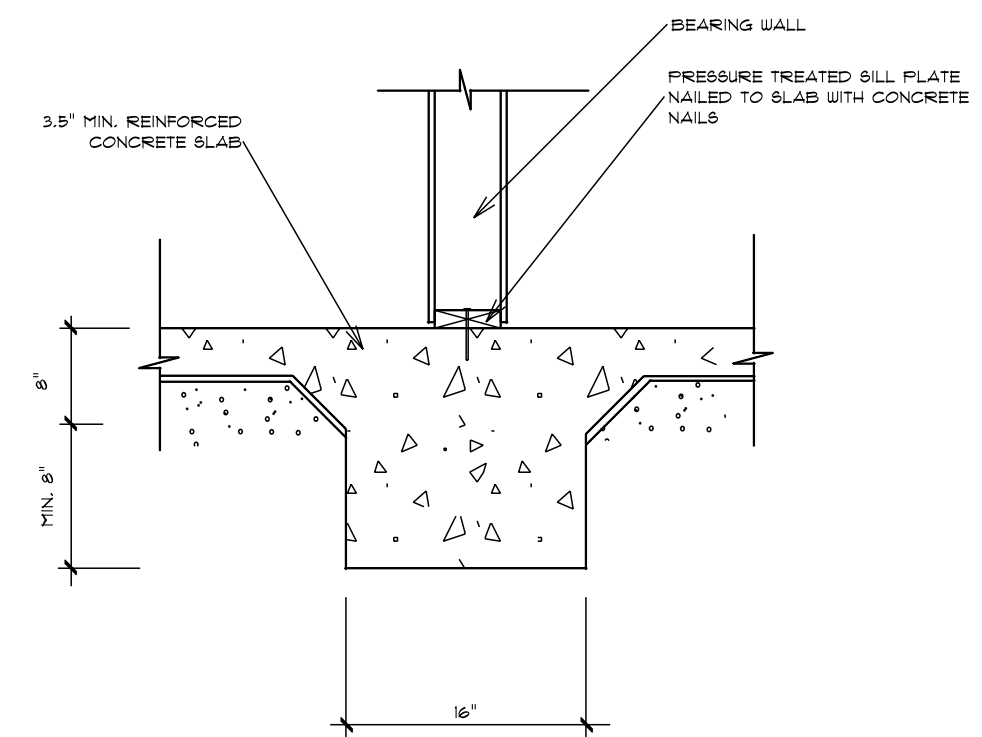
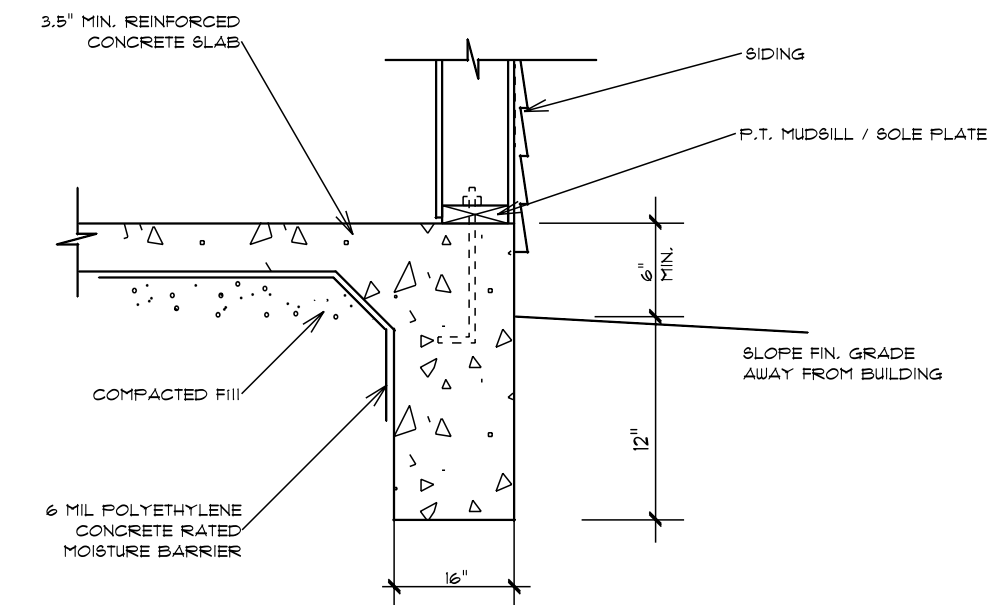
Second Floor Openings

PRODUCT CODE	SIZE	HINGE DIRECTION	COUNT	R.O. WIDTH
40 Bifold	4'-0"	LR	1	4'-0"
50 Bifold	5'-0"	LR	2	5'-0"
1-6 Door Unit RH	1'-6"	R	1	1'-8"
2-0 Door Unit LH	2'-0"	L	1	2'-2"
2-0 Door Unit RH	2'-0"	R	2	2'-2"
2-4 Door Unit LH	2'-4"	L	2	2'-6"
2-6 Door Unit LH	2'-6"	L	3	2'-8"
2-6 Door Unit RH	2'-6"	R	1	2'-8"
4-0 Double Hung Door Unit	4'-0"	LR	1	4'-2"
30X30 Single	3'-0" x 3'-0"	N	1	3'-0"
28x46 single	2'-8" x 4'-6"	N	1	2'-8"
28x52 twin	4'-6" x 5'-2"	NN	2	4'-6"
30x46 single	3'-0" x 4'-6"	N	1	3'-0"
30x52 single	3'-0" x 5'-2"	N	2	3'-0"
20x32 single	2'-0" x 3'-2"	N	1	2'-0"
8X8 GLASS BLOCK	4'-0" x 4'-0"	N	1	4'-0½"

Second Floor Plan



Foundation Plan

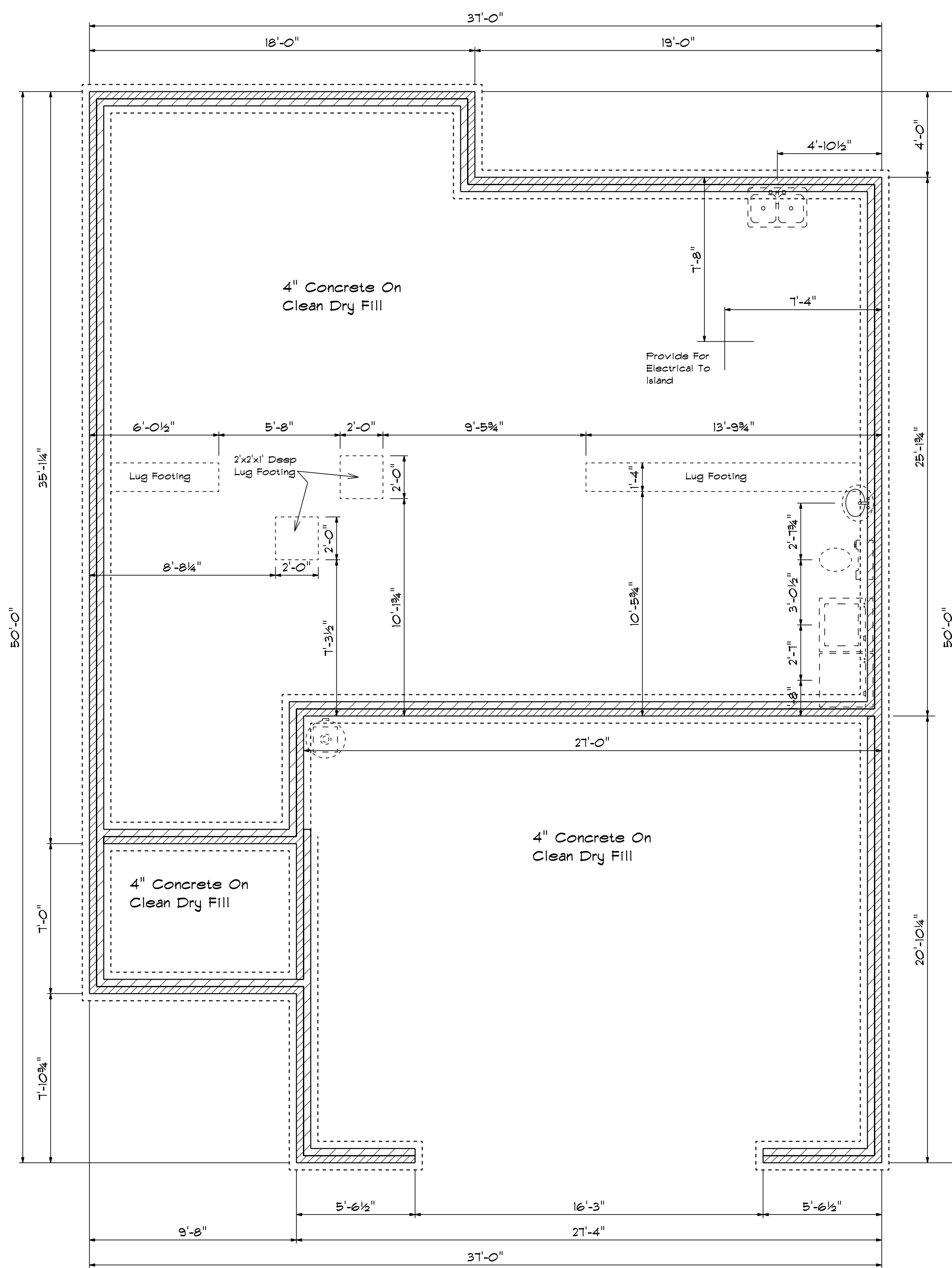


Base Designs
2121 Chimney Pt.
Linden N.C. 28356
910-864-1253

DATE Thursday, August 22, 2019
REVISED
DRAWING#

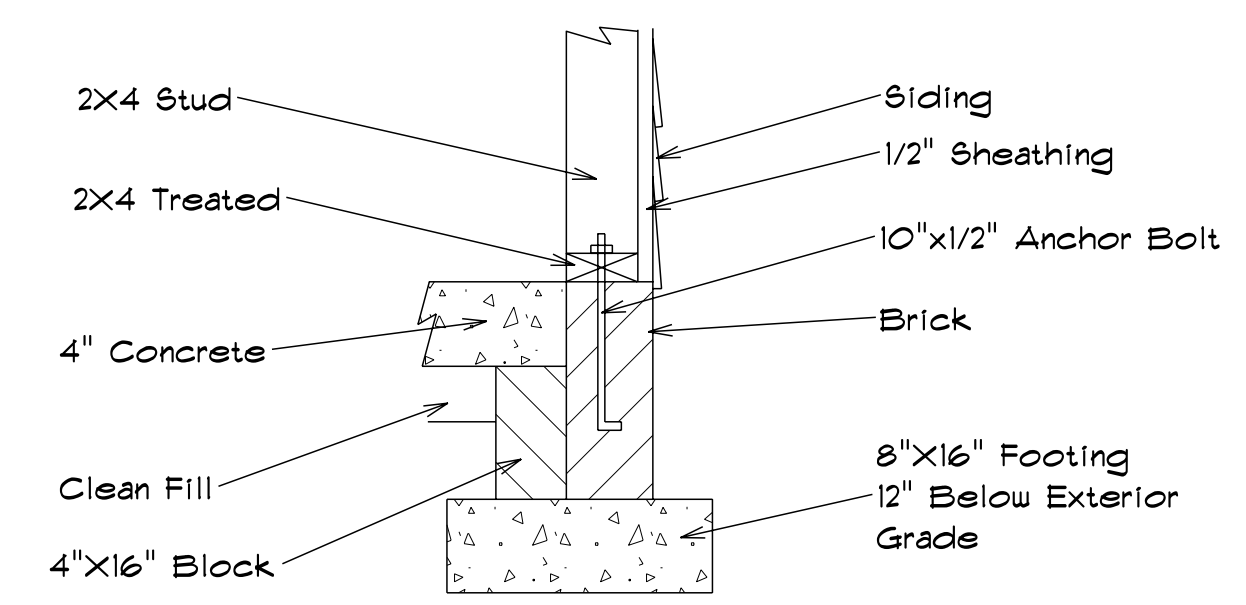
SCALE 1/4"
DRAWN BY
APPROVED

BBH-2221



Foundation Plan

Foundation Detail
 Siding



Lug Footing Detail

