

RE: J01120-5338
 Lot 2 East Park

Trenco
 818 Soundside Rd
 Edenton, NC 27932

Site Information:

Customer: Project Name: J01120-5338
 Lot/Block: Model:
 Address: Subdivision:
 City: State:

General Truss Engineering Criteria & Design Loads (Individual Truss Design Drawings Show Special Loading Conditions):

Design Code: IRC2015/TPI2014 Design Program: MiTek 20/20 8.3
 Wind Code: ASCE 7-10 Wind Speed: 130 mph
 Roof Load: 40.0 psf Floor Load: N/A psf

This package includes 31 individual, dated Truss Design Drawings and 0 Additional Drawings.

| No. | Seal# | Truss Name | Date | No. | Seal# | Truss Name | Date |
|-----|-----------|------------|------------|-----|-----------|------------|------------|
| 1 | E14466335 | A1 | 12/24/2020 | 21 | E14466355 | P1 | 12/24/2020 |
| 2 | E14466336 | A2 | 12/24/2020 | 22 | E14466356 | P2 | 12/24/2020 |
| 3 | E14466337 | A3 | 12/24/2020 | 23 | E14466357 | P3 | 12/24/2020 |
| 4 | E14466338 | A4 | 12/24/2020 | 24 | E14466358 | VB-1 | 12/24/2020 |
| 5 | E14466339 | A5 | 12/24/2020 | 25 | E14466359 | VB-2 | 12/24/2020 |
| 6 | E14466340 | B1 | 12/24/2020 | 26 | E14466360 | VB-3 | 12/24/2020 |
| 7 | E14466341 | B2 | 12/24/2020 | 27 | E14466361 | VB-4 | 12/24/2020 |
| 8 | E14466342 | C1 | 12/24/2020 | 28 | E14466362 | VB-5 | 12/24/2020 |
| 9 | E14466343 | C2 | 12/24/2020 | 29 | E14466363 | VC-1 | 12/24/2020 |
| 10 | E14466344 | C3 | 12/24/2020 | 30 | E14466364 | VC-2 | 12/24/2020 |
| 11 | E14466345 | D1 | 12/24/2020 | 31 | E14466365 | VC-3 | 12/24/2020 |
| 12 | E14466346 | D2 | 12/24/2020 | | | | |
| 13 | E14466347 | G1 | 12/24/2020 | | | | |
| 14 | E14466348 | G2 | 12/24/2020 | | | | |
| 15 | E14466349 | M1 | 12/24/2020 | | | | |
| 16 | E14466350 | M2 | 12/24/2020 | | | | |
| 17 | E14466351 | M3 | 12/24/2020 | | | | |
| 18 | E14466352 | M4 | 12/24/2020 | | | | |
| 19 | E14466353 | M5 | 12/24/2020 | | | | |
| 20 | E14466354 | M6 | 12/24/2020 | | | | |

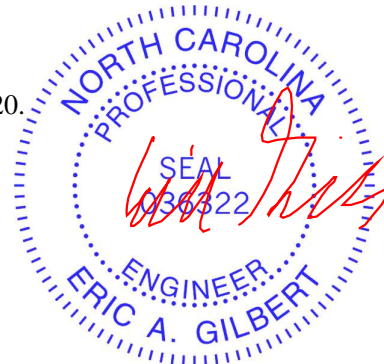
The truss drawing(s) referenced above have been prepared by Truss Engineering Co. under my direct supervision based on the parameters provided by Comtech, Inc - Fayetteville.

Truss Design Engineer's Name: Gilbert, Eric

My license renewal date for the state of North Carolina is December 31, 2020.

North Carolina COA: C-0844

IMPORTANT NOTE: The seal on these truss component designs is a certification that the engineer named is licensed in the jurisdiction(s) identified and that the designs comply with ANSI/TPI 1. These designs are based upon parameters shown (e.g., loads, supports, dimensions, shapes and design codes), which were given to TRENCO. Any project specific information included is for TRENCO customers file reference purpose only, and was not taken into account in the preparation of these designs. TRENCO has not independently verified the applicability of the design parameters or the designs for any particular building. Before use, the building designer should verify applicability of design parameters and properly incorporate these designs into the overall building design per ANSI/TPI 1, Chapter 2.



December 24, 2020

| | | | | | | |
|--------------------|-------------|------------------------------------|----------|----------|---|-----------|
| Job J01120-5338 | Truss A1 | Truss Type COMMON SUPPORTED GAB | Qty 1 | Ply 1 | Lot 2 East Park Job Reference (optional) | E14466335 |
|--------------------|-------------|------------------------------------|----------|----------|---|-----------|

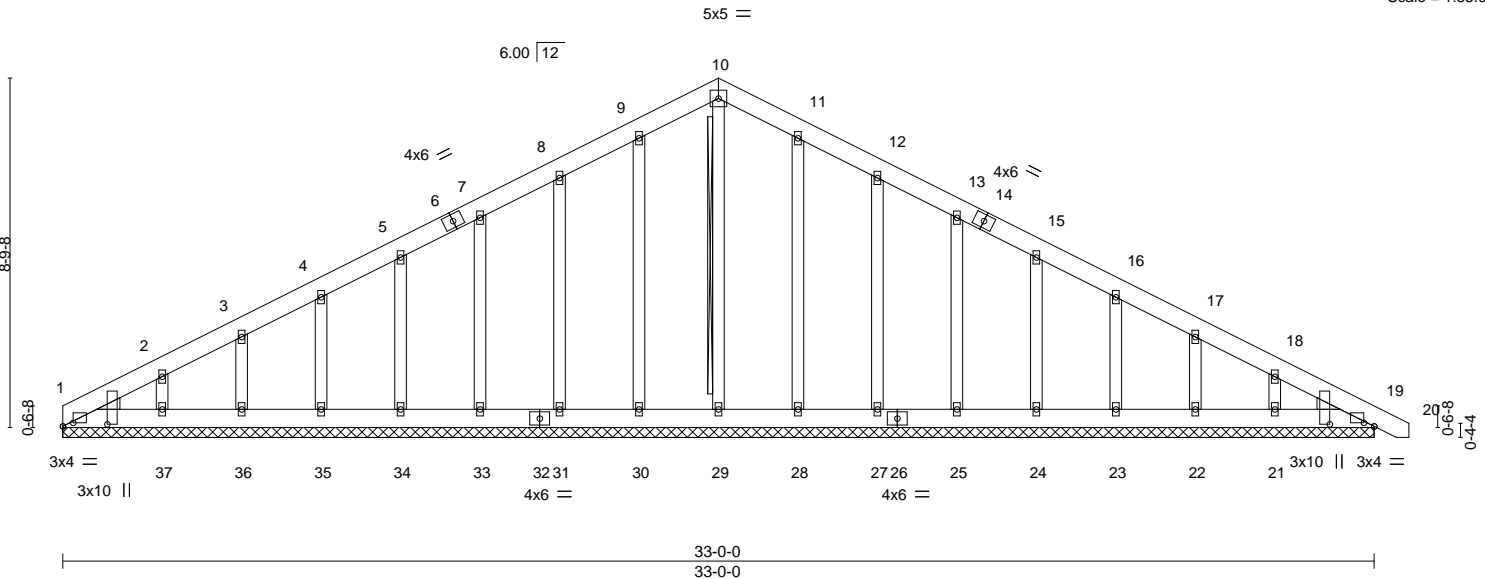
Comtech, Inc., Fayetteville, NC - 28314,

8.330 s May 6 2020 MiTek Industries, Inc. Tue Jun 2 13:44:20 2020 Page 1

ID:BoL?hgXglYpqwdOiyUmcQyz41fz-UaEOXu8hXG_WGJWEPQr3jOqPj9KZITegQi7yerzAltV



Scale = 1:58.0



| | |
|-----------------------|--|
| Plate Offsets (X,Y)-- | [1:0-3-2,0-1-1], [1:0-0-10,1-1-7], [19:0-3-2,0-1-1], [19:0-0-10,1-1-7] |
|-----------------------|--|

| LOADING (psf) | SPACING- | CSL | DEFL. | in (loc) | l/defl | L/d | PLATES | GRIP |
|---------------|----------------------|----------|---------------|----------|--------|-----|----------------|----------|
| TCLL 20.0 | Plate Grip DOL 1.15 | TC 0.04 | Vert(LL) 0.00 | 19 | n/r | 120 | MT20 | 244/190 |
| TCDL 10.0 | Lumber DOL 1.15 | BC 0.02 | Vert(CT) 0.00 | 19 | n/r | 120 | | |
| BCLL 0.0 * | Rep Stress Incr YES | WB 0.11 | Horz(CT) 0.01 | 19 | n/a | n/a | | |
| BCDL 10.0 | Code IRC2015/TPI2014 | Matrix-S | | | | | | |
| | | | | | | | Weight: 261 lb | FT = 20% |

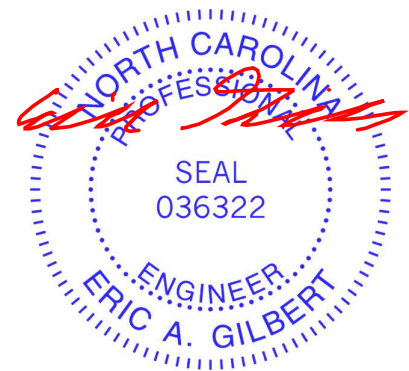
LUMBER-
TOP CHORD 2x6 SP No.1
BOT CHORD 2x6 SP No.1
OTHERS 2x4 SP No.2
WEDGE
Left: 2x4 SP No.2 , Right: 2x4 SP No.2

BRACING-
TOP CHORD Structural wood sheathing directly applied or 6-0-0 oc purlins.
BOT CHORD Rigid ceiling directly applied or 10-0-0 oc bracing.
WEBS T-Brace: 2x4 SPF No.2 - 10-29
Fasten (2X) T and I braces to narrow edge of web with 10d (0.131"x3") nails, 6in o.c., with 3in minimum end distance.
Brace must cover 90% of web length.

REACTIONS. All bearings 33-0-0.
(lb) - Max Horz 1=180(LC 17)
Max Uplift All uplift 100 lb or less at joint(s) 1, 30, 31, 33, 34, 35, 36, 37, 28, 27, 25, 24, 23, 22, 21
Max Grav All reactions 250 lb or less at joint(s) 1, 29, 30, 31, 33, 34, 35, 36, 37, 28, 27, 25, 24, 23, 22, 21, 19

FORCES. (lb) - Max. Comp./Max. Ten. - All forces 250 (lb) or less except when shown.
TOP CHORD 9-10=114/289, 10-11=114/289

- NOTES-**
- Unbalanced roof live loads have been considered for this design.
 - Wind: ASCE 7-10; Vult=130mph (3-second gust) Vasd=103mph; TCDL=6.0psf; BCDL=6.0psf; h=15ft; Cat. II; Exp C; Enclosed; MWFRS (envelope) gable end zone and C-C Exterior(2) zone; C-C for members and forces & MWFRS for reactions shown; Lumber DOL=1.60 plate grip DOL=1.60
 - Truss designed for wind loads in the plane of the truss only. For studs exposed to wind (normal to the face), see Standard Industry Gable End Details as applicable, or consult qualified building designer as per ANSI/TPI 1.
 - All plates are 2x4 MT20 unless otherwise indicated.
 - Gable requires continuous bottom chord bearing.
 - Gable studs spaced at 2-0-0 oc.
 - This truss has been designed for a 10.0 psf bottom chord live load nonconcurrent with any other live loads.
 - * This truss has been designed for a live load of 30.0psf on the bottom chord in all areas where a rectangle 3-6-0 tall by 2-0-0 wide will fit between the bottom chord and any other members.
 - Provide mechanical connection (by others) of truss to bearing plate capable of withstanding 100 lb uplift at joint(s) 1, 30, 31, 33, 34, 35, 36, 37, 28, 27, 25, 24, 23, 22, 21.
 - Warning: Additional permanent and stability bracing for truss system (not part of this component design) is always required.



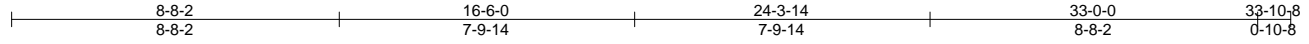
| | | | | | | |
|--------------------|-------------|----------------------|----------|----------|-----------------|-----------|
| Job J01120-5338 | Truss A2 | Truss Type COMMON | Qty 5 | Ply 1 | Lot 2 East Park | E14466336 |
|--------------------|-------------|----------------------|----------|----------|-----------------|-----------|

Comtech, Inc, Fayetteville, NC - 28314,

8.330 s May 6 2020 MiTek Industries, Inc. Tue Jun 2 13:44:21 2020 Page 1

ID:BoL?hgXglYpqwdOiyUmcQyz41fz-ymomkE9Kla6NuT5Ry8MIFcNVZZWRurqfMVAHzAltu

Job Reference (optional)



5x5 =

Scale = 1:61.0

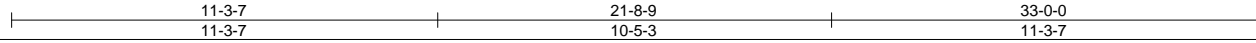
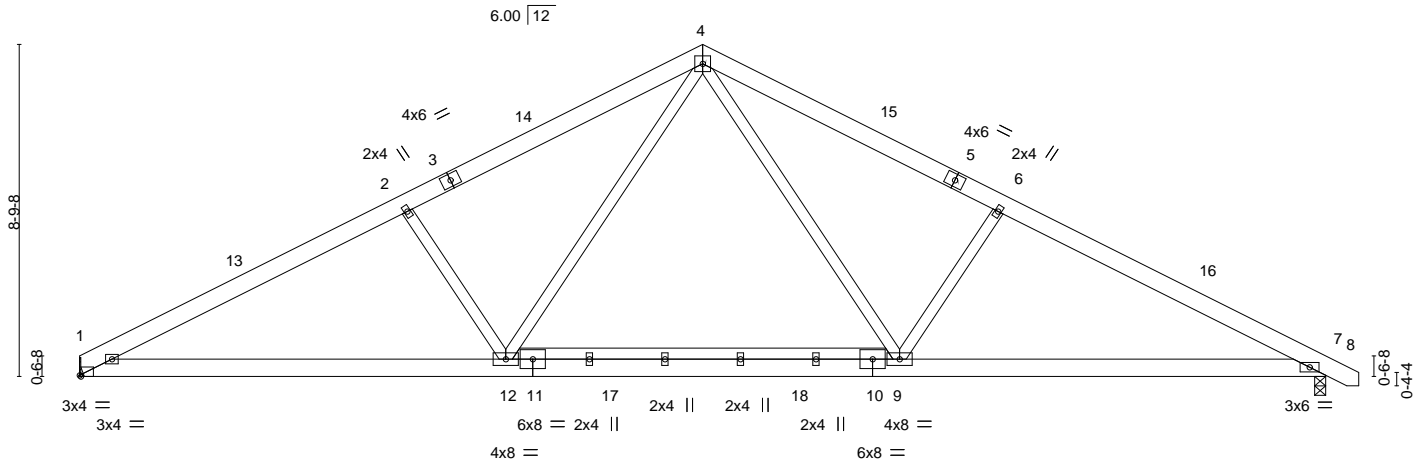


Plate Offsets (X,Y)-- [1:0-0-6,Edge]

| LOADING (psf) | SPACING- | CSI. | DEFL. | in (loc) | l/defl | L/d | PLATES | GRIP |
|---------------|----------------------|----------|----------------|----------|--------|-----|----------------|----------|
| TCLL 20.0 | Plate Grip DOL 1.15 | TC 0.33 | Vert(LL) -0.21 | 9-12 | >999 | 360 | MT20 | 244/190 |
| TCDL 10.0 | Lumber DOL 1.15 | BC 0.49 | Vert(CT) -0.28 | 9-12 | >999 | 240 | | |
| BCLL 0.0 * | Rep Stress Incr YES | WB 0.24 | Horz(CT) 0.05 | 7 | n/a | n/a | | |
| BCDL 10.0 | Code IRC2015/TPI2014 | Matrix-S | Wind(LL) 0.05 | 1-12 | >999 | 240 | | |
| | | | | | | | Weight: 223 lb | FT = 20% |

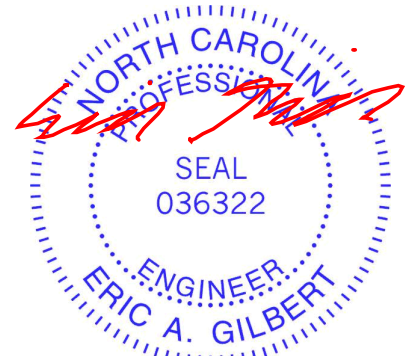
LUMBER-
 TOP CHORD 2x6 SP No.1
 BOT CHORD 2x6 SP No.1
 WEBS 2x4 SP No.2

BRACING-
 TOP CHORD Structural wood sheathing directly applied or 4-8-4 oc purlins.
 BOT CHORD Rigid ceiling directly applied or 10-0-0 oc bracing.

REACTIONS. (size) 1=Mechanical, 7=0-3-8
 Max Horz 1=-113(LC 8)
 Max Uplift 1=-79(LC 12), 7=-91(LC 13)
 Max Grav 1=1311(LC 1), 7=1364(LC 1)

FORCES. (lb) - Max. Comp./Max. Ten. - All forces 250 (lb) or less except when shown.
 TOP CHORD 1-2=-2297/531, 2-4=-2064/545, 4-6=-2055/529, 6-7=-2283/512
 BOT CHORD 1-12=-347/2015, 9-12=-110/1324, 7-9=-344/1965
 WEBS 4-9=-142/850, 6-9=-495/297, 4-12=-145/865, 2-12=-509/305

- NOTES-**
- Unbalanced roof live loads have been considered for this design.
 - Wind: ASCE 7-10; Vult=130mph (3-second gust) Vasd=103mph; TC DL=6.0psf; BCDL=6.0psf; h=15ft; Cat. II; Exp C; Enclosed; MWFRS (envelope) and C-C Exterior(2) 0-0-12 to 4-5-9, Interior(1) 4-5-9 to 16-6-0, Exterior(2) 16-6-0 to 20-10-13, Interior(1) 20-10-13 to 33-8-10 zone; C-C for members and forces & MWFRS for reactions shown; Lumber DOL=1.60 plate grip DOL=1.60
 - This truss has been designed for a 10.0 psf bottom chord live load nonconcurrent with any other live loads.
 - * This truss has been designed for a live load of 30.0psf on the bottom chord in all areas where a rectangle 3-6-0 tall by 2-0-0 wide will fit between the bottom chord and any other members, with BCDL = 10.0psf.
 - Refer to girder(s) for truss to truss connections.
 - Provide mechanical connection (by others) of truss to bearing plate capable of withstanding 100 lb uplift at joint(s) 1, 7.



June 2, 2020

WARNING - Verify design parameters and READ NOTES ON THIS AND INCLUDED MITEK REFERENCE PAGE MII-7473 rev. 5/19/2020 BEFORE USE.

Design valid for use only with MiTek® connectors. This design is based only upon parameters shown, and is for an individual building component, not a truss system. Before use, the building designer must verify the applicability of design parameters and properly incorporate this design into the overall building design. Bracing indicated is to prevent buckling of individual truss web and/or chord members only. Additional temporary and permanent bracing is always required for stability and to prevent collapse with possible personal injury and property damage. For general guidance regarding the fabrication, storage, delivery, erection and bracing of trusses and truss systems, see

ANSI/TPI1 Quality Criteria, DSB-89 and BCSI Building Component

Safety Information available from Truss Plate Institute, 2670 Crain Highway, Suite 203 Waldorf, MD 20601



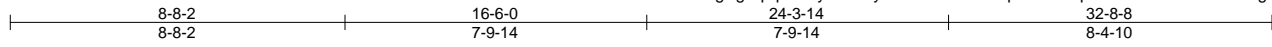
818 Soundside Road
 Edenton, NC 27932

| | | | | | | |
|--------------------|-------------|----------------------|----------|----------|-----------------|-----------|
| Job J01120-5338 | Truss A3 | Truss Type COMMON | Qty 2 | Ply 1 | Lot 2 East Park | E14466337 |
|--------------------|-------------|----------------------|----------|----------|-----------------|-----------|

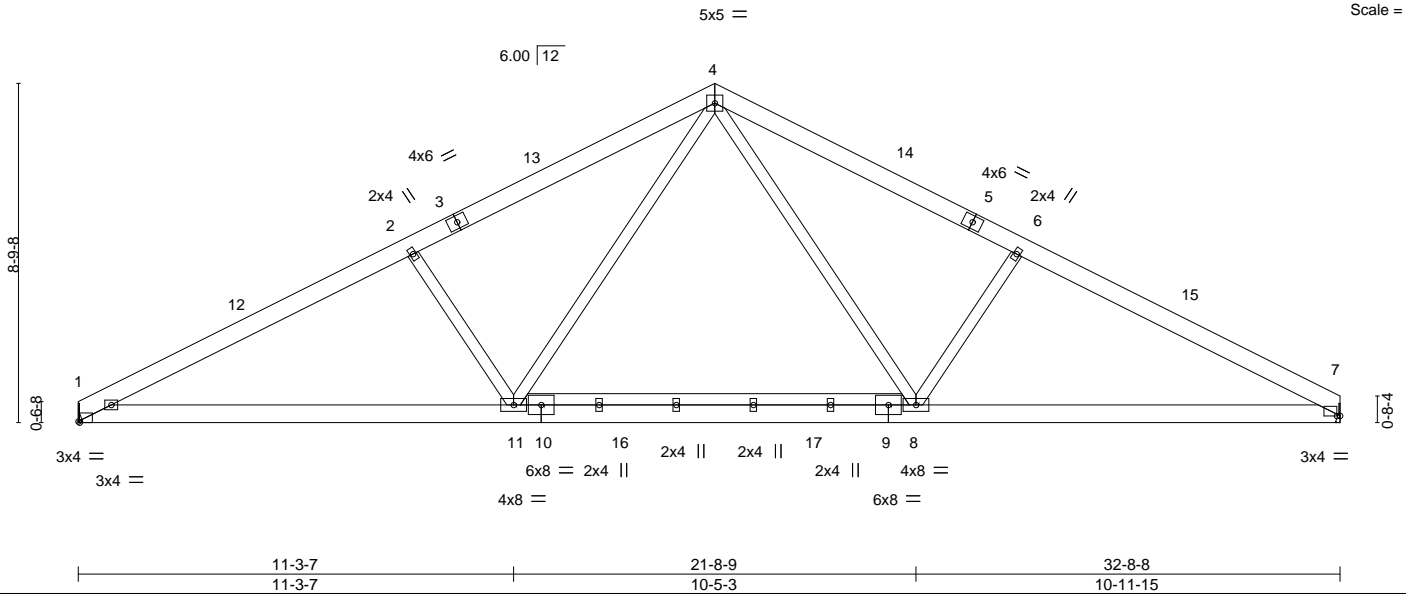
Comtech, Inc, Fayetteville, NC - 28314,

8.330 s May 6 2020 MiTek Industries, Inc. Tue Jun 2 13:44:23 2020 Page 1

ID:BoL?hgXglYpqwdOiyUmcQyz41fz-u9wX9vBapBM48nFp4ZOml1Sr5NE?v0J76gMcFAzAlts



Scale = 1:59.7



| LOADING (psf) | SPACING- | CSI. | DEFL. | in (loc) | l/defl | L/d | PLATES | GRIP |
|---------------|----------------------|----------|----------------|----------|--------|-----|----------------|----------|
| TCLL 20.0 | Plate Grip DOL 1.15 | TC 0.33 | Vert(LL) -0.20 | 8-11 | >999 | 360 | MT20 | 244/190 |
| TCDL 10.0 | Lumber DOL 1.15 | BC 0.48 | Vert(CT) -0.28 | 8-11 | >999 | 240 | | |
| BCLL 0.0 * | Rep Stress Incr YES | WB 0.24 | Horz(CT) 0.05 | 7 | n/a | n/a | | |
| BCDL 10.0 | Code IRC2015/TPI2014 | Matrix-S | Wind(LL) 0.05 | 1-11 | >999 | 240 | | |
| | | | | | | | Weight: 220 lb | FT = 20% |

| LUMBER- | BRACING- |
|-----------------------|---|
| TOP CHORD 2x6 SP No.1 | TOP CHORD Structural wood sheathing directly applied or 4-8-9 oc purlins. |
| BOT CHORD 2x6 SP No.1 | BOT CHORD Rigid ceiling directly applied or 10-0-0 oc bracing. |
| WEBS 2x4 SP No.2 | |

REACTIONS. (size) 1=Mechanical, 7=Mechanical
 Max Horz 1=-108(LC 8)
 Max Uplift 1=-79(LC 12), 7=-78(LC 13)
 Max Grav 1=1303(LC 1), 7=1303(LC 1)

FORCES. (lb) - Max. Comp./Max. Ten. - All forces 250 (lb) or less except when shown.
 TOP CHORD 1-2=-2280/528, 2-4=-2048/543, 4-6=-2021/538, 6-7=-2242/521
 BOT CHORD 1-11=-354/1997, 8-11=-116/1306, 7-8=-347/1920
 WEBS 4-8=-139/822, 6-8=-473/295, 4-11=-145/866, 2-11=-509/305

- NOTES-**
- Unbalanced roof live loads have been considered for this design.
 - Wind: ASCE 7-10; Vult=130mph (3-second gust) Vasd=103mph; TC DL=6.0psf; BCDL=6.0psf; h=15ft; Cat. II; Exp C; Enclosed; MWFRS (envelope) and C-C Exterior(2) 0-0-12 to 4-5-9, Interior(1) 4-5-9 to 16-6-0, Exterior(2) 16-6-0 to 20-10-13, Interior(1) 20-10-13 to 32-7-12 zone; C-C for members and forces & MWFRS for reactions shown; Lumber DOL=1.60 plate grip DOL=1.60
 - This truss has been designed for a 10.0 psf bottom chord live load nonconcurrent with any other live loads.
 - * This truss has been designed for a live load of 30.0psf on the bottom chord in all areas where a rectangle 3-6-0 tall by 2-0-0 wide will fit between the bottom chord and any other members, with BCDL = 10.0psf.
 - Refer to girder(s) for truss to truss connections.
 - Provide mechanical connection (by others) of truss to bearing plate capable of withstanding 100 lb uplift at joint(s) 1, 7.

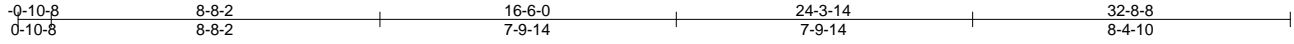


| | | | | | | |
|--------------------|-------------|----------------------|----------|----------|-----------------|-----------|
| Job J01120-5338 | Truss A4 | Truss Type COMMON | Qty 4 | Ply 1 | Lot 2 East Park | E14466338 |
|--------------------|-------------|----------------------|----------|----------|-----------------|-----------|

Comtech, Inc., Fayetteville, NC - 28314,

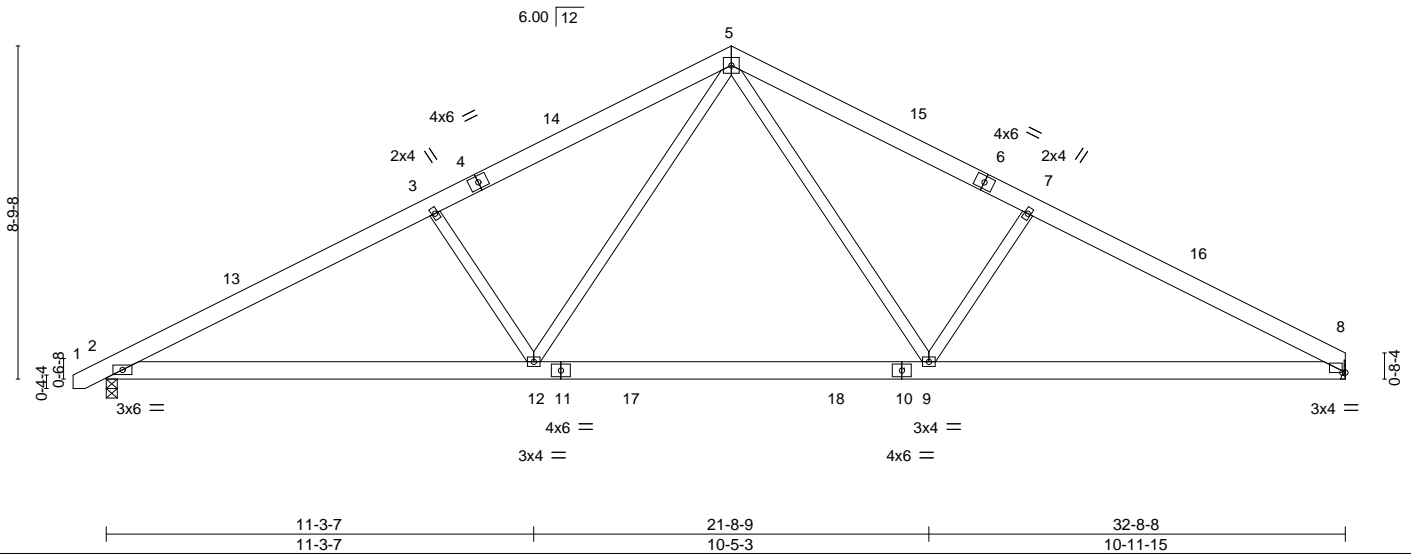
8.330 s May 6 2020 MiTek Industries, Inc. Tue Jun 2 13:44:24 2020 Page 1

ID:BoL?hgXglYpqwdOiyUmcQyz41fz-MLTvMFCCaVUxlxq0eGv?IE?15ma7eFgGLK59nczAltr



5x5 =

Scale = 1:60.8



| | |
|-----------------------|-----------------|
| Plate Offsets (X,Y)-- | [8:0-1-0,0-0-1] |
|-----------------------|-----------------|

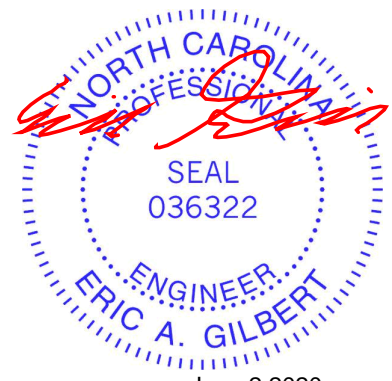
| LOADING (psf) | SPACING- | CSL. | DEFL. | in (loc) | l/defl | L/d | PLATES | GRIP |
|---------------|----------------------|----------|----------------|----------|--------|-----|----------------|----------|
| TCLL 20.0 | Plate Grip DOL 1.15 | TC 0.31 | Vert(LL) -0.22 | 9-12 | >999 | 360 | MT20 | 244/190 |
| TCDL 10.0 | Lumber DOL 1.15 | BC 0.49 | Vert(CT) -0.29 | 9-12 | >999 | 240 | | |
| BCLL 0.0 * | Rep Stress Incr YES | WB 0.23 | Horz(CT) 0.05 | 8 | n/a | n/a | | |
| BCDL 10.0 | Code IRC2015/TPI2014 | Matrix-S | Wind(LL) 0.05 | 2-12 | >999 | 240 | | |
| | | | | | | | Weight: 207 lb | FT = 20% |

| LUMBER- | BRACING- |
|-----------------------|--|
| TOP CHORD 2x6 SP No.1 | TOP CHORD Structural wood sheathing directly applied or 4-9-10 oc purlins. |
| BOT CHORD 2x6 SP No.1 | BOT CHORD Rigid ceiling directly applied or 10-0-0 oc bracing. |
| WEBS 2x4 SP No.2 | |

REACTIONS. (size) 2=0-3-8, 8=Mechanical
 Max Horz 2=113(LC 9)
 Max Uplift 2=-91(LC 12), 8=-78(LC 13)
 Max Grav 2=1352(LC 1), 8=1299(LC 1)

FORCES. (lb) - Max. Comp./Max. Ten. - All forces 250 (lb) or less except when shown.
 TOP CHORD 2-3=-2261/507, 3-5=-2051/524, 5-7=-2034/536, 7-8=-2238/519
 BOT CHORD 2-12=-347/1992, 9-12=-113/1312, 8-9=-341/1925
 WEBS 5-9=-137/833, 7-9=-473/294, 5-12=-141/861, 3-12=-495/297

- NOTES-**
- 1) Unbalanced roof live loads have been considered for this design.
 - 2) Wind: ASCE 7-10; Vult=130mph (3-second gust) Vasd=103mph; TCCL=6.0psf; BCDL=6.0psf; h=15ft; Cat. II; Exp C; Enclosed; MWFRS (envelope) and C-C Exterior(2) -0-8-10 to 3-8-3, Interior(1) 3-8-3 to 16-6-0, Exterior(2) 16-6-0 to 20-10-13, Interior(1) 20-10-13 to 32-7-12 zone; C-C for members and forces & MWFRS for reactions shown; Lumber DOL=1.60 plate grip DOL=1.60
 - 3) This truss has been designed for a 10.0 psf bottom chord live load nonconcurrent with any other live loads.
 - 4) * This truss has been designed for a live load of 30.0psf on the bottom chord in all areas where a rectangle 3-6-0 tall by 2-0-0 wide will fit between the bottom chord and any other members, with BCDL = 10.0psf.
 - 5) Refer to girder(s) for truss to truss connections.
 - 6) Provide mechanical connection (by others) of truss to bearing plate capable of withstanding 100 lb uplift at joint(s) 2, 8.



June 2, 2020

| | | | | | | |
|---|-------------|---------------------|----------|----------|--------------------------|-----------|
| Job J01120-5338 | Truss A5 | Truss Type GABLE | Qty 1 | Ply 1 | Lot 2 East Park | E14466339 |
| Comtech, Inc, Fayetteville, NC - 28314, | | | | | Job Reference (optional) | |

Comtech, Inc, Fayetteville, NC - 28314,

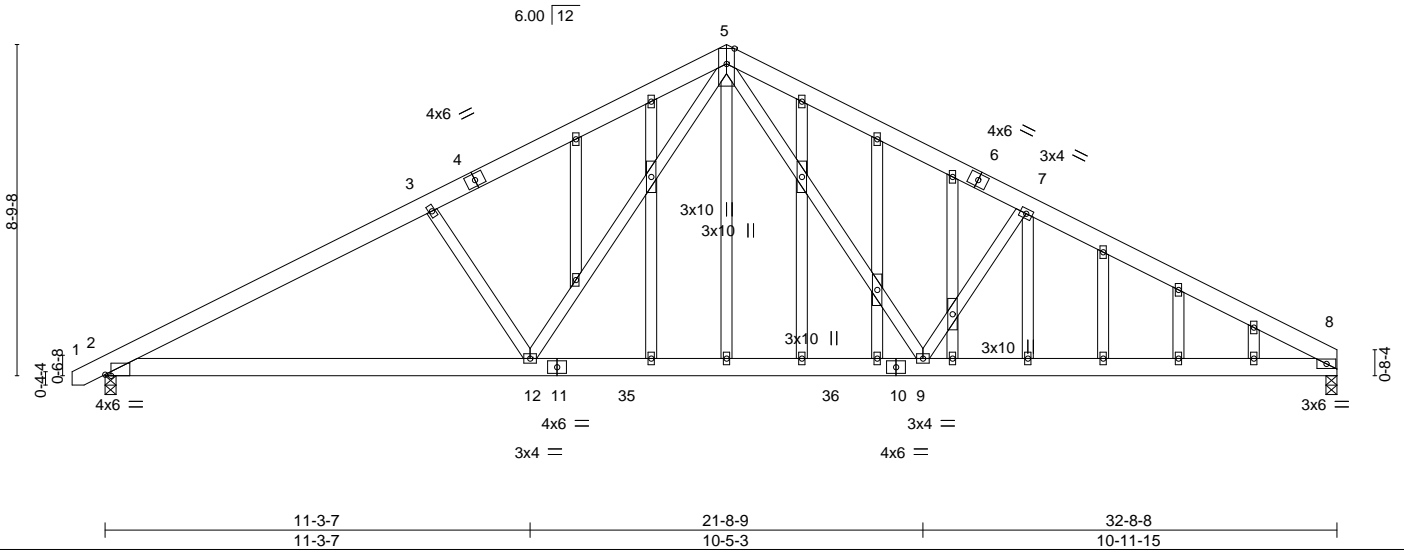
8.330 s May 6 2020 MiTek Industries, Inc. Tue Jun 2 13:44:25 2020 Page 1

ID:BoL?hgXglYpQwdOiyUmcQyz41fz-qY1HabCqLpcoN5PCBzQEQSYCrAwNNeWQa_rjJ3zAltq



5x12 ||

Scale = 1:61.2



| | | | | | |
|---------------------------------------|-----------------------|------------------|----------------------------------|----------------|-------------|
| Plate Offsets (X,Y)-- [2:0-1-14,Edge] | 11-3-7 11-3-7 | 21-8-9 10-5-3 | 32-8-8 10-11-15 | | |
| LOADING (psf) | SPACING- 2-0-0 | CSI. | DEFL. in (loc) l/defl L/d | PLATES | GRIP |
| TCLL 20.0 | Plate Grip DOL 1.15 | TC 0.31 | Vert(LL) -0.22 9-12 >999 360 | MT20 | 244/190 |
| TCDL 10.0 | Lumber DOL 1.15 | BC 0.49 | Vert(CT) -0.29 9-12 >999 240 | | |
| BCLL 0.0 * | Rep Stress Incr YES | WB 0.45 | Horz(CT) 0.05 8 n/a n/a | | |
| BCDL 10.0 | Code IRC2015/TPI2014 | Matrix-S | Wind(LL) 0.07 2-12 >999 240 | | |
| | | | | Weight: 274 lb | FT = 20% |

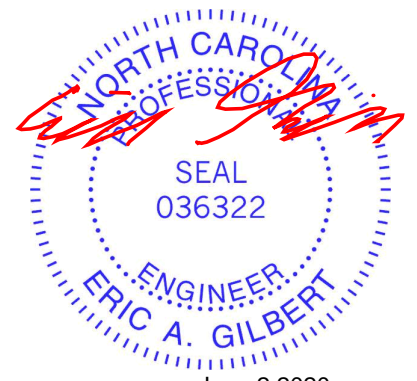
LUMBER-
TOP CHORD 2x6 SP No.1
BOT CHORD 2x6 SP No.1
WEBS 2x4 SP No.2
OTHERS 2x4 SP No.2

BRACING-
TOP CHORD Structural wood sheathing directly applied or 4-9-13 oc purlins.
BOT CHORD Rigid ceiling directly applied or 9-11-5 oc bracing.

REACTIONS. (size) 2=0-3-8, 8=0-3-8
Max Horz 2=180(LC 16)
Max Uplift 2=293(LC 12), 8=265(LC 13)
Max Grav 2=1349(LC 1), 8=1296(LC 1)

FORCES. (lb) - Max. Comp./Max. Ten. - All forces 250 (lb) or less except when shown.
TOP CHORD 2-3=-2254/830, 3-5=-2044/833, 5-7=-2019/825, 7-8=-2221/818
BOT CHORD 2-12=-615/1947, 9-12=-244/1297, 8-9=-602/1906
WEBS 5-9=-259/807, 7-9=-463/412, 5-12=-272/845, 3-12=-495/423

- NOTES-**
- Unbalanced roof live loads have been considered for this design.
 - Wind: ASCE 7-10; Vult=130mph (3-second gust) Vasd=103mph; TCDL=6.0psf; BCDL=6.0psf; h=15ft; Cat. II; Exp C; Enclosed; MWFRS (envelope) gable end zone and C-C Exterior(2) zone; C-C for members and forces & MWFRS for reactions shown; Lumber DOL=1.60 plate grip DOL=1.60
 - Truss designed for wind loads in the plane of the truss only. For studs exposed to wind (normal to the face), see Standard Industry Gable End Details as applicable, or consult qualified building designer as per ANSI/TPI 1.
 - All plates are 2x4 MT20 unless otherwise indicated.
 - Gable studs spaced at 2-0-0 oc.
 - This truss has been designed for a 10.0 psf bottom chord live load nonconcurrent with any other live loads.
 - * This truss has been designed for a live load of 30.0psf on the bottom chord in all areas where a rectangle 3-6-0 tall by 2-0-0 wide will fit between the bottom chord and any other members, with BCDL = 10.0psf.
 - Provide mechanical connection (by others) of truss to bearing plate capable of withstanding 100 lb uplift at joint(s) except (jt=lb) 2=293, 8=265.



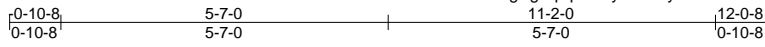
June 2, 2020

| | | | | | | |
|--------------------|-------------|------------------------------------|----------|----------|-----------------|-----------|
| Job J01120-5338 | Truss B1 | Truss Type COMMON SUPPORTED GAB | Qty 1 | Ply 1 | Lot 2 East Park | E14466340 |
|--------------------|-------------|------------------------------------|----------|----------|-----------------|-----------|

Comtech, Inc, Fayetteville, NC - 28314,

8.330 s May 6 2020 MiTek Industries, Inc. Tue Jun 2 13:44:26 2020 Page 1

ID:BoL?hgXglYpQwdOiyUmcQyz41fz-lkbfnxDS66kf?F_OlhyTyf4R1aNx6BsZoeaGsVzAltP



5x5 =

Scale = 1:39.3

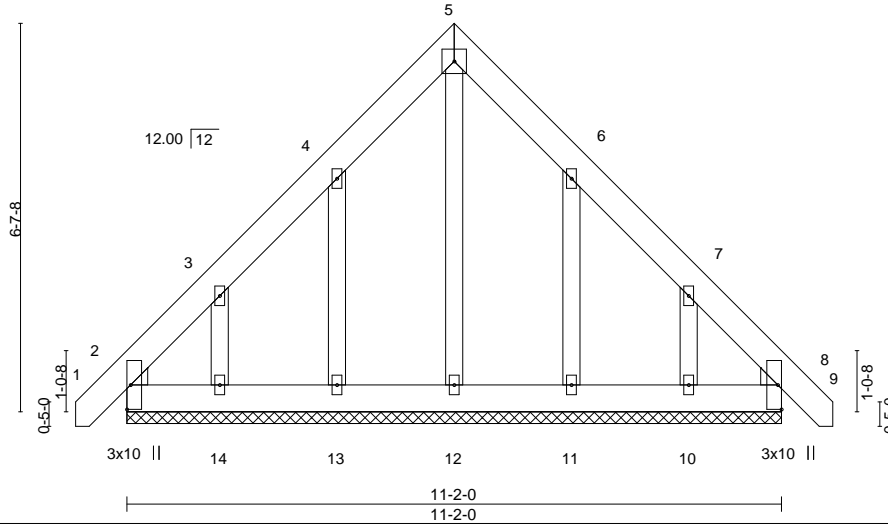


Plate Offsets (X, Y)-- [2:0-0-6,0-0-6], [2:0-0-12,0-3-1], [8:0-0-6,0-0-6], [8:0-0-12,0-3-1]

| LOADING (psf) | SPACING- | CSI. | DEFL. | in (loc) | l/defl | L/d | PLATES | GRIP |
|---------------|----------------------|----------|----------------|----------|--------|-----|---------------|----------|
| TCLL 20.0 | Plate Grip DOL 1.15 | TC 0.03 | Vert(LL) -0.00 | 8 | n/r | 120 | MT20 | 244/190 |
| TCDL 10.0 | Lumber DOL 1.15 | BC 0.02 | Vert(CT) -0.00 | 8 | n/r | 120 | | |
| BCLL 0.0 * | Rep Stress Incr YES | WB 0.06 | Horz(CT) 0.00 | 8 | n/a | n/a | | |
| BCDL 10.0 | Code IRC2015/TPI2014 | Matrix-S | | | | | Weight: 95 lb | FT = 20% |

LUMBER-

TOP CHORD 2x6 SP No.1
BOT CHORD 2x6 SP No.1
OTHERS 2x4 SP No.2

WEDGE

Left: 2x4 SP No.2, Right: 2x4 SP No.2

BRACING-

TOP CHORD Structural wood sheathing directly applied or 6-0-0 oc purlins.
BOT CHORD Rigid ceiling directly applied or 10-0-0 oc bracing.

REACTIONS.

All bearings 11-2-0.

(lb) - Max Horz 2=190(LC 10)

Max Uplift All uplift 100 lb or less at joint(s) 2, 8 except 13=130(LC 12), 14=189(LC 12), 11=127(LC 13), 10=185(LC 13)

Max Grav All reactions 250 lb or less at joint(s) 2, 8, 12, 13, 14, 11, 10

FORCES. (lb) - Max. Comp./Max. Ten. - All forces 250 (lb) or less except when shown.

NOTES-

- Unbalanced roof live loads have been considered for this design.
- Wind: ASCE 7-10; Vult=130mph (3-second gust) Vasd=103mph; TCDL=6.0psf; BCDL=6.0psf; h=15ft; Cat. II; Exp C; Enclosed; MWFRS (envelope) gable end zone and C-C Corner(3) -0-9-2 to 3-6-13, Exterior(2) 3-6-13 to 5-7-0, Corner(3) 5-7-0 to 9-11-13, Exterior(2) 9-11-13 to 11-11-2 zone; C-C for members and forces & MWFRS for reactions shown; Lumber DOL=1.60 plate grip DOL=1.60
- Truss designed for wind loads in the plane of the truss only. For studs exposed to wind (normal to the face), see Standard Industry Gable End Details as applicable, or consult qualified building designer as per ANSI/TPI 1.
- All plates are 2x4 MT20 unless otherwise indicated.
- Gable requires continuous bottom chord bearing.
- Gable studs spaced at 2-0-0 oc.
- This truss has been designed for a 10.0 psf bottom chord live load nonconcurrent with any other live loads.
- * This truss has been designed for a live load of 30.0psf on the bottom chord in all areas where a rectangle 3-6-0 tall by 2-0-0 wide will fit between the bottom chord and any other members.
- Provide mechanical connection (by others) of truss to bearing plate capable of withstanding 100 lb uplift at joint(s) 2, 8 except (jt=lb) 13=130, 14=189, 11=127, 10=185.
- Beveled plate or shim required to provide full bearing surface with truss chord at joint(s) 2.



June 2, 2020

WARNING - Verify design parameters and READ NOTES ON THIS AND INCLUDED MITEK REFERENCE PAGE MII-7473 rev. 5/19/2020 BEFORE USE.

Design valid for use only with MiTek® connectors. This design is based only upon parameters shown, and is for an individual building component, not a truss system. Before use, the building designer must verify the applicability of design parameters and properly incorporate this design into the overall building design. Bracing indicated is to prevent buckling of individual truss web and/or chord members only. Additional temporary and permanent bracing is always required for stability and to prevent collapse with possible personal injury and property damage. For general guidance regarding the fabrication, storage, delivery, erection and bracing of trusses and truss systems, see

ANSI/TPI1 Quality Criteria, DSB-89 and BCSI Building Component

Safety Information available from Truss Plate Institute, 2670 Crain Highway, Suite 203 Waldorf, MD 20601

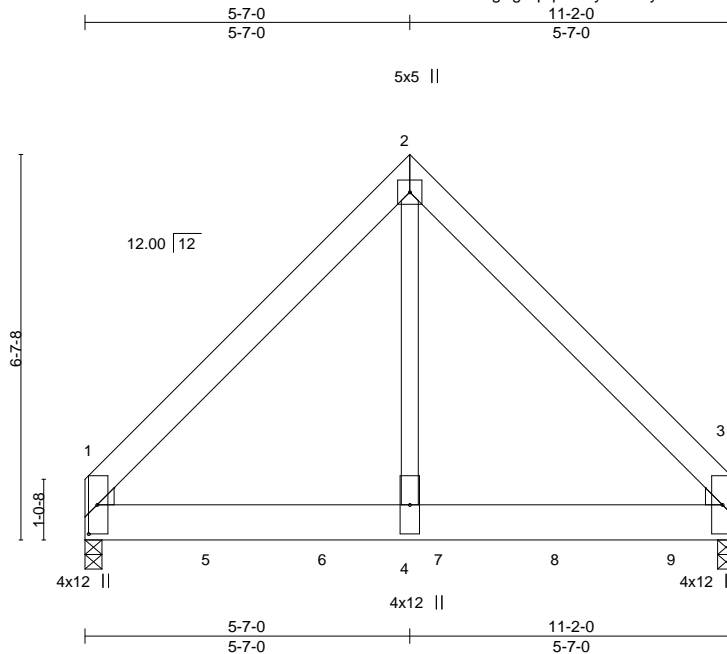


818 Soundside Road
Edenton, NC 27932

| | | | | | | |
|--------------------|-------------|-----------------------------|----------|----------|-----------------|-----------|
| Job J01120-5338 | Truss B2 | Truss Type COMMON GIRDER | Qty 1 | Ply 2 | Lot 2 East Park | E14466341 |
|--------------------|-------------|-----------------------------|----------|----------|-----------------|-----------|

Comtech, Inc, Fayetteville, NC - 28314,

8.330 s May 6 2020 MiTek Industries, Inc. Tue Jun 2 13:44:27 2020 Page 1
ID:BoL?hgXglYpqwdOiyUmcQyz41fz-mw92?HE5tQsWcOZbJOTIVtdWy_a6rWzi1IKpOxzAlto



Scale = 1:39.6

Plate Offsets (X, Y)-- [1:0-1-4,0-1-4], [1:0-2-8,0-4-13], [1:0-6-0,0-1-12], [3:0-1-4,0-1-4], [3:0-2-8,0-4-13], [3:0-6-0,0-1-12]

| LOADING (psf) | SPACING- | CSL. | DEFL. | in (loc) | l/defl | L/d | PLATES | GRIP |
|---------------|----------------------|----------|----------------|----------|--------|-----|----------------|----------|
| TCLL 20.0 | Plate Grip DOL 1.15 | TC 0.40 | Vert(LL) -0.03 | 3-4 | >999 | 360 | MT20 | 244/190 |
| TCDL 10.0 | Lumber DOL 1.15 | BC 0.60 | Vert(CT) -0.06 | 3-4 | >999 | 240 | | |
| BCLL 0.0 * | Rep Stress Incr NO | WB 0.52 | Horz(CT) 0.01 | 3 | n/a | n/a | | |
| BCDL 10.0 | Code IRC2015/TPI2014 | Matrix-S | Wind(LL) 0.02 | 3-4 | >999 | 240 | | |
| | | | | | | | Weight: 165 lb | FT = 20% |

LUMBER-
TOP CHORD 2x6 SP No.1
BOT CHORD 2x8 SP No.1
WEBS 2x4 SP No.2
WEDGE
Left: 2x4 SP No.2 , Right: 2x4 SP No.2

BRACING-
TOP CHORD Structural wood sheathing directly applied or 6-0-0 oc purlins.
BOT CHORD Rigid ceiling directly applied or 10-0-0 oc bracing.

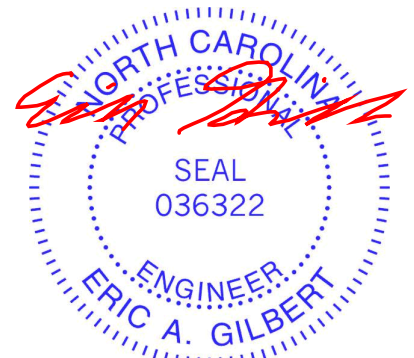
REACTIONS. (size) 1=0-3-8, 3=0-3-8
Max Horz 1=-144(LC 23)
Max Uplift 1=-301(LC 9), 3=-265(LC 8)
Max Grav 1=4586(LC 1), 3=3979(LC 1)

FORCES. (lb) - Max. Comp./Max. Ten. - All forces 250 (lb) or less except when shown.
TOP CHORD 1-2=-3212/267, 2-3=-3207/266
BOT CHORD 1-4=-137/2118, 3-4=-137/2118
WEBS 2-4=-239/4237

- NOTES-**
- 2-ply truss to be connected together with 10d (0.131"x3") nails as follows:
Top chords connected as follows: 2x6 - 2 rows staggered at 0-9-0 oc.
Bottom chords connected as follows: 2x8 - 2 rows staggered at 0-6-0 oc.
Webs connected as follows: 2x4 - 1 row at 0-9-0 oc.
 - All loads are considered equally applied to all plies, except if noted as front (F) or back (B) face in the LOAD CASE(S) section. Ply to ply connections have been provided to distribute only loads noted as (F) or (B), unless otherwise indicated.
 - Unbalanced roof live loads have been considered for this design.
 - Wind: ASCE 7-10; Vult=130mph (3-second gust) Vasd=103mph; TCDL=6.0psf; BCDL=6.0psf; h=15ft; Cat. II; Exp C; Enclosed; MWFRS (envelope); Lumber DOL=1.60 plate grip DOL=1.60
 - This truss has been designed for a 10.0 psf bottom chord live load nonconcurrent with any other live loads.
 - * This truss has been designed for a live load of 30.0psf on the bottom chord in all areas where a rectangle 3-6-0 tall by 2-0-0 wide will fit between the bottom chord and any other members.
 - Provide mechanical connection (by others) of truss to bearing plate capable of withstanding 100 lb uplift at joint(s) except (jt=lb) 1=301, 3=265.
 - Hanger(s) or other connection device(s) shall be provided sufficient to support concentrated load(s) 1293 lb down and 88 lb up at 0-1-12, 1283 lb down and 98 lb up at 2-2-0, 1279 lb down and 98 lb up at 4-2-0, 1279 lb down and 98 lb up at 6-2-0, and 1279 lb down and 98 lb up at 8-2-0, and 1281 lb down and 96 lb up at 10-2-0 on bottom chord. The design/selection of such connection device(s) is the responsibility of others.

LOAD CASE(S) Standard

- Dead + Roof Live (balanced): Lumber Increase=1.15, Plate Increase=1.15



June 2, 2020

Continued on page 2

WARNING - Verify design parameters and READ NOTES ON THIS AND INCLUDED MITEK REFERENCE PAGE MII-7473 rev. 5/19/2020 BEFORE USE.
Design valid for use only with MiTek® connectors. This design is based only upon parameters shown, and is for an individual building component, not a truss system. Before use, the building designer must verify the applicability of design parameters and properly incorporate this design into the overall building design. Bracing indicated is to prevent buckling of individual truss web and/or chord members only. Additional temporary and permanent bracing is always required for stability and to prevent collapse with possible personal injury and property damage. For general guidance regarding the fabrication, storage, delivery, erection and bracing of trusses and truss systems, see **ANSI/TPI1 Quality Criteria, DSB-89 and BCSI Building Component Safety Information** available from Truss Plate Institute, 2670 Crain Highway, Suite 203 Waldorf, MD 20601

ENGINEERING BY
TRENCO
A MiTek Affiliate

818 Soundside Road
Edenton, NC 27932

| | | | | | | |
|--------------------|-------------|-----------------------------|----------|-----------------|---|-----------|
| Job J01120-5338 | Truss B2 | Truss Type COMMON GIRDER | Qty 1 | Ply 2 | Lot 2 East Park Job Reference (optional) | E14466341 |
|--------------------|-------------|-----------------------------|----------|-----------------|---|-----------|

Comtech, Inc, Fayetteville, NC - 28314,

8.330 s May 6 2020 MiTek Industries, Inc. Tue Jun 2 13:44:27 2020 Page 2
ID:BoL?hgXglYpqwdOiyUmcQyz41fz-mw92?HE5tQsWcOZbJOTiVtdWy_a6rWzi1IKpOxzAlto

LOAD CASE(S) Standard

Uniform Loads (plf)

Vert: 1-2=-60, 2-3=-60, 1-3=-20

Concentrated Loads (lb)

Vert: 1=-1293(F) 5=-1283(F) 6=-1279(F) 7=-1279(F) 8=-1279(F) 9=-1281(F)

WARNING - Verify design parameters and READ NOTES ON THIS AND INCLUDED MITEK REFERENCE PAGE MII-7473 rev. 5/19/2020 BEFORE USE.

Design valid for use only with MiTek® connectors. This design is based only upon parameters shown, and is for an individual building component, not a truss system. Before use, the building designer must verify the applicability of design parameters and properly incorporate this design into the overall building design. Bracing indicated is to prevent buckling of individual truss web and/or chord members only. Additional temporary and permanent bracing is always required for stability and to prevent collapse with possible personal injury and property damage. For general guidance regarding the fabrication, storage, delivery, erection and bracing of trusses and truss systems, see **ANSI/TPI1 Quality Criteria, DSB-89 and BCSI Building Component Safety Information** available from Truss Plate Institute, 2670 Crain Highway, Suite 203 Waldorf, MD 20601

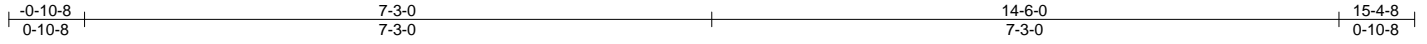


818 Soundside Road
Edenton, NC 27932

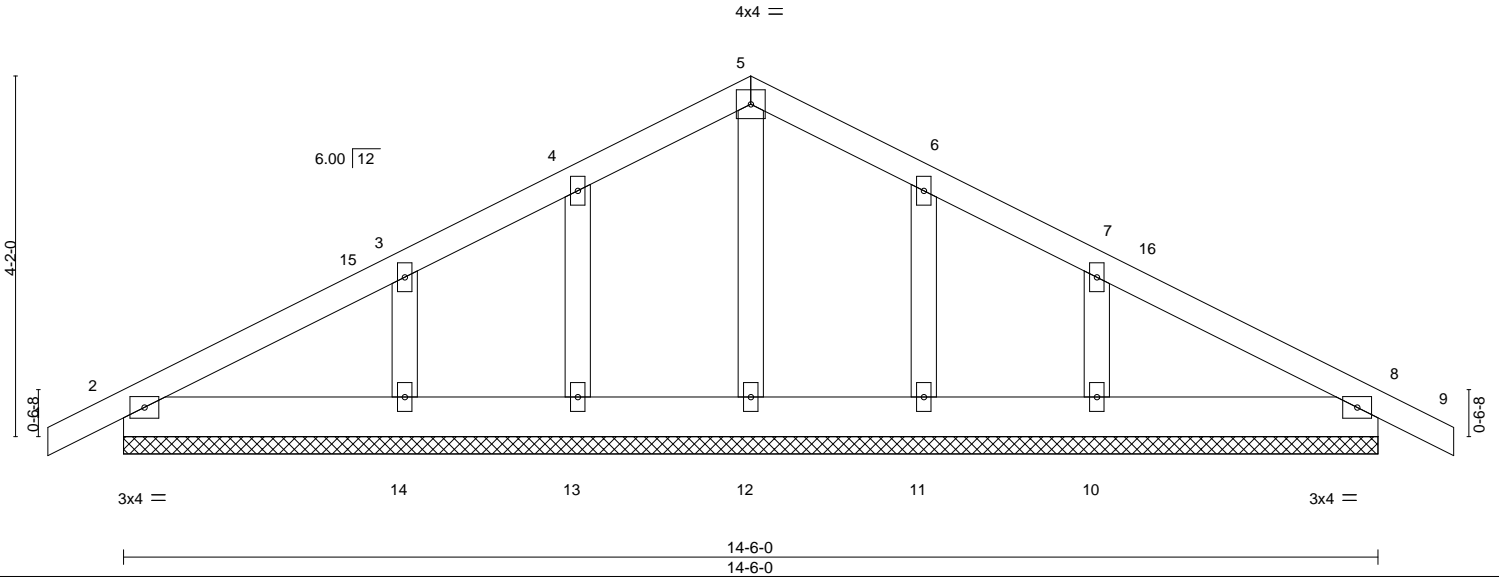
| | | | | | | |
|--------------------|-------------|------------------------------------|----------|----------|-----------------|-----------|
| Job J01120-5338 | Truss C1 | Truss Type COMMON SUPPORTED GAB | Qty 1 | Ply 1 | Lot 2 East Park | E14466342 |
|--------------------|-------------|------------------------------------|----------|----------|-----------------|-----------|

Comtech, Inc, Fayetteville, NC - 28314,

8.330 s May 6 2020 MiTek Industries, Inc. Tue Jun 2 13:44:27 2020 Page 1
ID:BoL?hgXglYpqwdOiyUmcQyz41fz-mw92?HE5tQsWcOZbJOTIVtdbl_j_reRi1IKpOxzAlto



Scale = 1:26.6



| LOADING (psf) | SPACING- | CSL | DEFL. | PLATES | GRIP |
|---------------|----------------------|----------|-------------------------|---------------|----------|
| TCLL 20.0 | 2-0-0 | TC 0.09 | in (loc) l/defl L/d | MT20 | 244/190 |
| TCDL 10.0 | Plate Grip DOL 1.15 | BC 0.03 | Vert(LL) 0.00 8 n/r 120 | | |
| BCLL 0.0 * | Lumber DOL 1.15 | WB 0.04 | Vert(CT) 0.00 9 n/r 120 | | |
| BCDL 10.0 | Rep Stress Incr YES | Matrix-S | Horz(CT) 0.00 8 n/a n/a | | |
| | Code IRC2015/TPI2014 | | | Weight: 78 lb | FT = 20% |

LUMBER-
TOP CHORD 2x4 SP No.1
BOT CHORD 2x6 SP No.1
OTHERS 2x4 SP No.2

BRACING-
TOP CHORD Structural wood sheathing directly applied or 6-0-0 oc purlins.
BOT CHORD Rigid ceiling directly applied or 10-0-0 oc bracing.

REACTIONS. All bearings 14-6-0.
(lb) - Max Horz 2=82(LC 13)
Max Uplift All uplift 100 lb or less at joint(s) 2, 8, 13, 11 except 14=112(LC 12), 10=112(LC 13)
Max Grav All reactions 250 lb or less at joint(s) 2, 8, 12, 13, 11 except 14=250(LC 1), 10=250(LC 1)

FORCES. (lb) - Max. Comp./Max. Ten. - All forces 250 (lb) or less except when shown.

- NOTES-**
- Unbalanced roof live loads have been considered for this design.
 - Wind: ASCE 7-10; Vult=130mph (3-second gust) Vasd=103mph; TCDL=6.0psf; BCDL=6.0psf; h=15ft; Cat. II; Exp C; Enclosed; MWFRS (envelope) gable end zone and C-C Corner(3) -0-10-8 to 3-3-0, Exterior(2) 3-3-0 to 7-3-0, Corner(3) 7-3-0 to 11-7-13, Exterior(2) 11-7-13 to 15-4-8 zone; C-C for members and forces & MWFRS for reactions shown; Lumber DOL=1.60 plate grip DOL=1.60
 - Truss designed for wind loads in the plane of the truss only. For studs exposed to wind (normal to the face), see Standard Industry Gable End Details as applicable, or consult qualified building designer as per ANSI/TPI 1.
 - All plates are 2x4 MT20 unless otherwise indicated.
 - Gable requires continuous bottom chord bearing.
 - Gable studs spaced at 2-0-0 oc.
 - This truss has been designed for a 10.0 psf bottom chord live load nonconcurrent with any other live loads.
 - * This truss has been designed for a live load of 30.0psf on the bottom chord in all areas where a rectangle 3-6-0 tall by 2-0-0 wide will fit between the bottom chord and any other members.
 - Provide mechanical connection (by others) of truss to bearing plate capable of withstanding 100 lb uplift at joint(s) 2, 8, 13, 11 except (jt=lb) 14=112, 10=112.



June 2, 2020

WARNING - Verify design parameters and READ NOTES ON THIS AND INCLUDED MITEK REFERENCE PAGE MII-7473 rev. 5/19/2020 BEFORE USE.

Design valid for use only with MiTek® connectors. This design is based only upon parameters shown, and is for an individual building component, not a truss system. Before use, the building designer must verify the applicability of design parameters and properly incorporate this design into the overall building design. Bracing indicated is to prevent buckling of individual truss web and/or chord members only. Additional temporary and permanent bracing is always required for stability and to prevent collapse with possible personal injury and property damage. For general guidance regarding the fabrication, storage, delivery, erection and bracing of trusses and truss systems, see **ANSI/TPI1 Quality Criteria, DSB-89 and BCSI Building Component Safety Information** available from Truss Plate Institute, 2670 Crain Highway, Suite 203 Waldorf, MD 20601



818 Soundside Road
Edenton, NC 27932

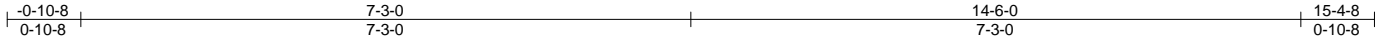
| | | | | | | |
|--------------------|-------------|----------------------|----------|----------|-----------------|-----------|
| Job J01120-5338 | Truss C2 | Truss Type COMMON | Qty 3 | Ply 1 | Lot 2 East Park | E14466343 |
|--------------------|-------------|----------------------|----------|----------|-----------------|-----------|

Comtech, Inc, Fayetteville, NC - 28314,

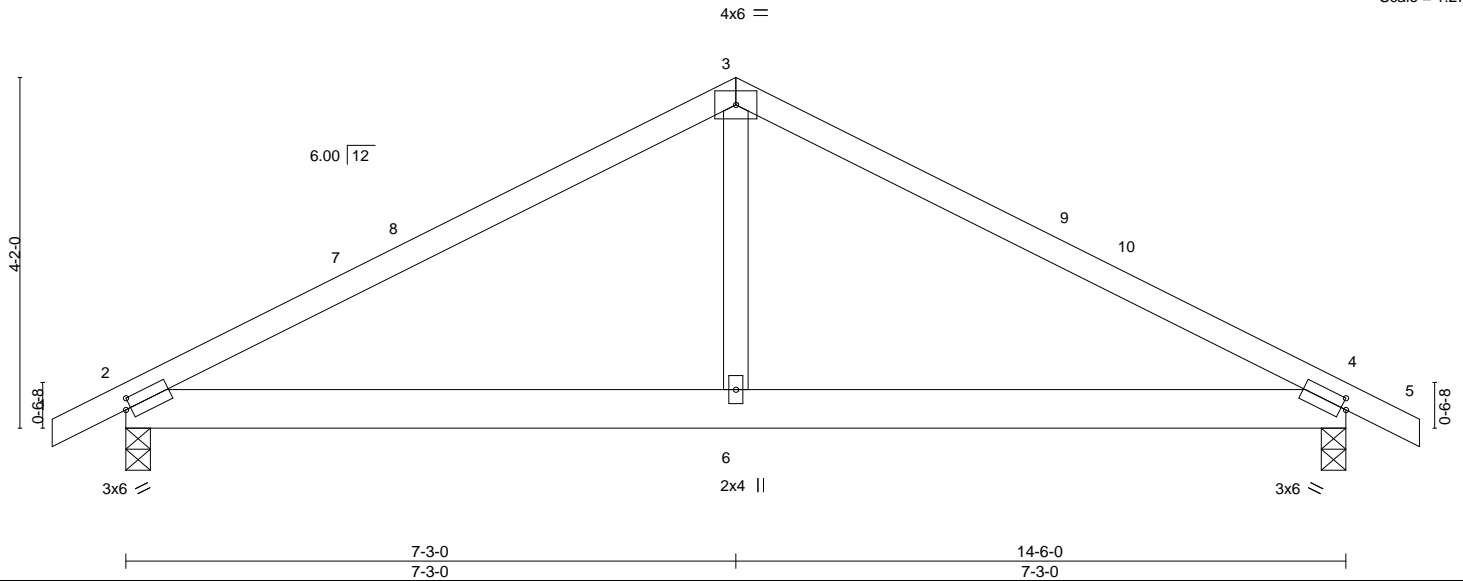
8.330 s May 6 2020 MiTek Industries, Inc. Tue Jun 2 13:44:29 2020 Page 1

ID:BoL?hgXglYpawOiyUmcQyz41fz-jJHoPzFLP17EsiizQpVAalispnMDJXH?UcpwSqzAltM

Job Reference (optional)



Scale = 1:27.4



| | | | | | | | | |
|-----------------------|------------------------------------|-------------|----------------|----------|--------|-----|---------------|-------------|
| Plate Offsets (X,Y)-- | [2:0-0-12,0-1-8], [4:0-0-12,0-1-8] | | | | | | | |
| LOADING (psf) | SPACING- | CSI. | DEFL. | in (loc) | l/defl | L/d | PLATES | GRIP |
| TCLL 20.0 | Plate Grip DOL 1.15 | TC 0.44 | Vert(LL) -0.02 | 2-6 | >999 | 360 | MT20 | 244/190 |
| TCDL 10.0 | Lumber DOL 1.15 | BC 0.24 | Vert(CT) -0.05 | 2-6 | >999 | 240 | | |
| BCLL 0.0 * | Rep Stress Incr YES | WB 0.08 | Horz(CT) 0.01 | 4 | n/a | n/a | | |
| BCDL 10.0 | Code IRC2015/TPI2014 | Matrix-S | Wind(LL) 0.02 | 2-6 | >999 | 240 | | |
| | | | | | | | Weight: 66 lb | FT = 20% |

LUMBER-

TOP CHORD 2x4 SP No.1
 BOT CHORD 2x6 SP No.1
 WEBS 2x4 SP No.2

BRACING-

TOP CHORD Structural wood sheathing directly applied or 6-0-0 oc purlins.
 BOT CHORD Rigid ceiling directly applied or 10-0-0 oc bracing.

REACTIONS.

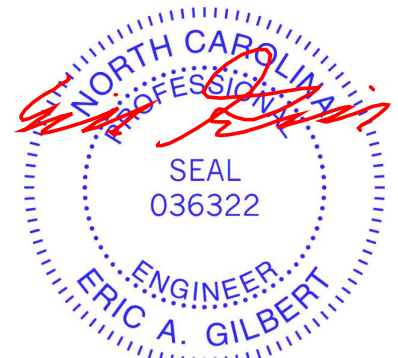
(size) 2=0-3-8, 4=0-3-8
 Max Horz 2=-53(LC 10)
 Max Uplift 2=-48(LC 12), 4=-48(LC 13)
 Max Grav 2=630(LC 1), 4=630(LC 1)

FORCES. (lb) - Max. Comp./Max. Ten. - All forces 250 (lb) or less except when shown.

TOP CHORD 2-3=-803/237, 3-4=-803/237
 BOT CHORD 2-6=-75/617, 4-6=-75/617
 WEBS 3-6=0/366

NOTES-

- Unbalanced roof live loads have been considered for this design.
- Wind: ASCE 7-10; Vult=130mph (3-second gust) Vasd=103mph; TCDL=6.0psf; BCDL=6.0psf; h=15ft; Cat. II; Exp C; Enclosed; MWFRS (envelope) and C-C Exterior(2) -0-10-8 to 3-6-5, Interior(1) 3-6-5 to 7-3-0, Exterior(2) 7-3-0 to 11-7-13, Interior(1) 11-7-13 to 15-4-8 zone; C-C for members and forces & MWFRS for reactions shown; Lumber DOL=1.60 plate grip DOL=1.60
- This truss has been designed for a 10.0 psf bottom chord live load nonconcurrent with any other live loads.
- * This truss has been designed for a live load of 30.0psf on the bottom chord in all areas where a rectangle 3-6-0 tall by 2-0-0 wide will fit between the bottom chord and any other members.
- Provide mechanical connection (by others) of truss to bearing plate capable of withstanding 100 lb uplift at joint(s) 2, 4.



June 2, 2020

WARNING - Verify design parameters and READ NOTES ON THIS AND INCLUDED MITEK REFERENCE PAGE MII-7473 rev. 5/19/2020 BEFORE USE.

Design valid for use only with MiTek® connectors. This design is based only upon parameters shown, and is for an individual building component, not a truss system. Before use, the building designer must verify the applicability of design parameters and properly incorporate this design into the overall building design. Bracing indicated is to prevent buckling of individual truss web and/or chord members only. Additional temporary and permanent bracing is always required for stability and to prevent collapse with possible personal injury and property damage. For general guidance regarding the fabrication, storage, delivery, erection and bracing of trusses and truss systems, see **ANSI/TPI1 Quality Criteria, DSB-89 and BCSI Building Component Safety Information** available from Truss Plate Institute, 2670 Crain Highway, Suite 203 Waldorf, MD 20601

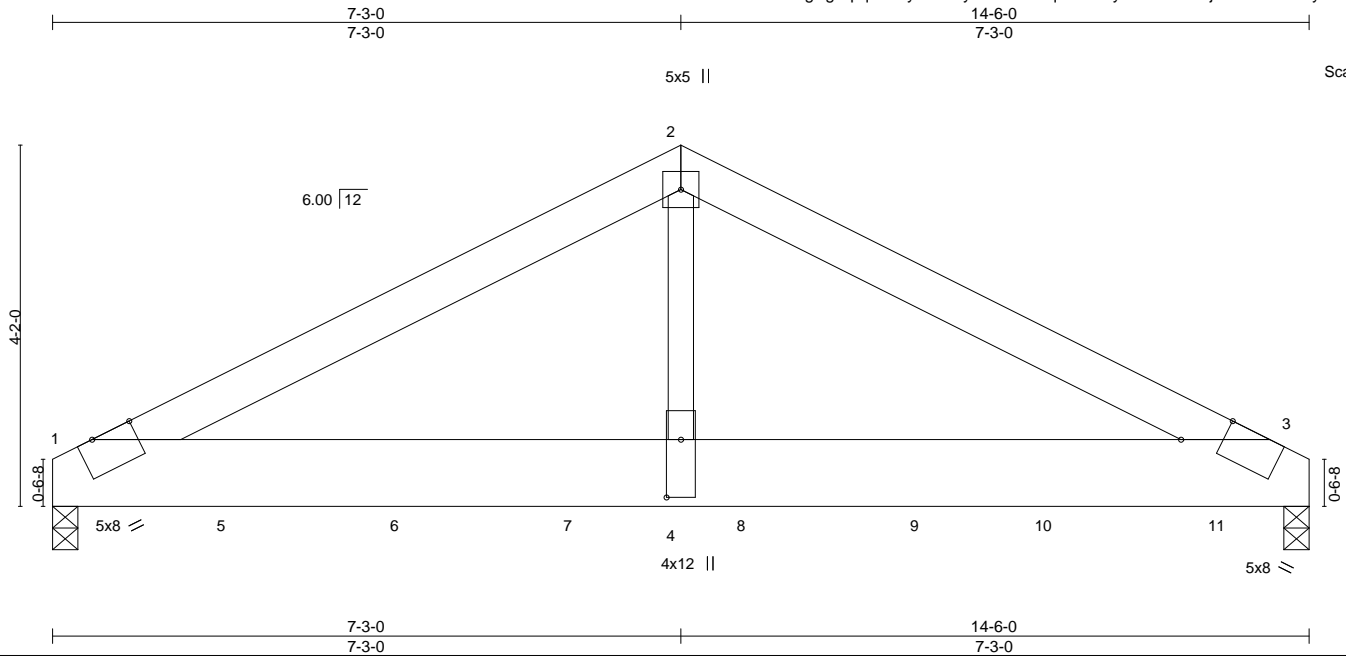


818 Soundside Road
 Edenton, NC 27932

| | | | | | | |
|--------------------|-------------|-----------------------------|----------|----------|-----------------|-----------|
| Job J01120-5338 | Truss C3 | Truss Type COMMON GIRDER | Qty 1 | Ply 2 | Lot 2 East Park | E14466344 |
|--------------------|-------------|-----------------------------|----------|----------|-----------------|-----------|

Comtech, Inc, Fayetteville, NC - 28314,

8.330 s May 6 2020 MiTek Industries, Inc. Tue Jun 2 13:44:31 2020 Page 1
ID:BoL?hgXglYpqwdOiyUmcQyz41fz-fiPYqeHbxfNy50sMYEXefjnDQbrwnHYlyw1XizAItk



| Plate Offsets (X,Y)-- | | [1:0-5-12,Edge], [3:0-5-4,Edge], [4:0-8-0,0-2-0] | | | | | | | |
|-----------------------|-----------------|--|-------------|--------------|----------|--------|------|---------------|-------------------------|
| LOADING (psf) | SPACING- | 2-0-0 | CSI. | DEFL. | in (loc) | l/defl | L/d | PLATES | GRIP |
| TCLL 20.0 | Plate Grip DOL | 1.15 | TC 0.31 | Vert(LL) | -0.07 | 3-4 | >999 | 360 | 244/190 |
| TCDL 10.0 | Lumber DOL | 1.15 | BC 0.99 | Vert(CT) | -0.13 | 3-4 | >999 | 240 | |
| BCLL 0.0 * | Rep Stress Incr | NO | WB 0.74 | Horz(CT) | 0.02 | 3 | n/a | n/a | |
| BCDL 10.0 | Code | IRC2015/TPI2014 | Matrix-S | Wind(LL) | 0.05 | 3-4 | >999 | 240 | |
| | | | | | | | | | Weight: 194 lb FT = 20% |

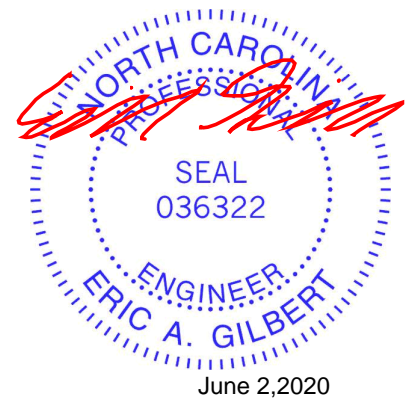
| LUMBER- | | BRACING- | |
|-----------|--------------|-----------|--|
| TOP CHORD | 2x6 SP No.1 | TOP CHORD | Structural wood sheathing directly applied or 5-11-5 oc purlins. |
| BOT CHORD | 2x10 SP No.1 | BOT CHORD | Rigid ceiling directly applied or 10-0-0 oc bracing. |
| WEBS | 2x4 SP No.2 | | |

REACTIONS. (size) 1=0-3-8, 3=0-3-8
 Max Horz 1=46(LC 24)
 Max Uplift 1=-325(LC 8), 3=-383(LC 9)
 Max Grav 1=4770(LC 2), 3=5623(LC 2)

FORCES. (lb) - Max. Comp./Max. Ten. - All forces 250 (lb) or less except when shown.
 TOP CHORD 1-2=-7301/503, 2-3=-7297/502
 BOT CHORD 1-4=-399/6499, 3-4=-399/6499
 WEBS 2-4=-312/6009

- NOTES-**
- 2-ply truss to be connected together with 10d (0.131"x3") nails as follows:
 Top chords connected as follows: 2x6 - 2 rows staggered at 0-9-0 oc.
 Bottom chords connected as follows: 2x10 - 2 rows staggered at 0-6-0 oc.
 Webs connected as follows: 2x4 - 1 row at 0-9-0 oc.
 - All loads are considered equally applied to all plies, except if noted as front (F) or back (B) face in the LOAD CASE(S) section. Ply to ply connections have been provided to distribute only loads noted as (F) or (B), unless otherwise indicated.
 - Unbalanced roof live loads have been considered for this design.
 - Wind: ASCE 7-10; Vult=130mph (3-second gust) Vasd=103mph; TCDL=6.0psf; BCDL=6.0psf; h=15ft; Cat. II; Exp C; Enclosed; MWFRS (envelope); Lumber DOL=1.60 plate grip DOL=1.60
 - This truss has been designed for a 10.0 psf bottom chord live load nonconcurrent with any other live loads.
 - * This truss has been designed for a live load of 30.0psf on the bottom chord in all areas where a rectangle 3-6-0 tall by 2-0-0 wide will fit between the bottom chord and any other members.
 - Provide mechanical connection (by others) of truss to bearing plate capable of withstanding 100 lb uplift at joint(s) except (jt=lb) 1=325, 3=383.
 - Hanger(s) or other connection device(s) shall be provided sufficient to support concentrated load(s) 1345 lb down and 99 lb up at 2-0-12, 1345 lb down and 99 lb up at 4-0-12, 1345 lb down and 99 lb up at 6-0-12, 1345 lb down and 99 lb up at 8-0-12, 1345 lb down and 99 lb up at 10-0-12, and 1337 lb down and 99 lb up at 11-6-0, and 1338 lb down and 98 lb up at 13-6-0 on bottom chord. The design/selection of such connection device(s) is the responsibility of others.

LOAD CASE(S) Standard
 1) Dead + Roof Live (balanced): Lumber Increase=1.15, Plate Increase=1.15
 Uniform Loads (plf)
 Vert: 1-2=-60, 2-3=-60, 1-3=-20



Continued on page 2

| | |
|--|--|
| <p>WARNING - Verify design parameters and READ NOTES ON THIS AND INCLUDED MITEK REFERENCE PAGE MII-7473 rev. 5/19/2020 BEFORE USE. Design valid for use only with MiTek® connectors. This design is based only upon parameters shown, and is for an individual building component, not a truss system. Before use, the building designer must verify the applicability of design parameters and properly incorporate this design into the overall building design. Bracing indicated is to prevent buckling of individual truss web and/or chord members only. Additional temporary and permanent bracing is always required for stability and to prevent collapse with possible personal injury and property damage. For general guidance regarding the fabrication, storage, delivery, erection and bracing of trusses and truss systems, see ANSI/TPI1 Quality Criteria, DSB-89 and BCSI Building Component Safety Information available from Truss Plate Institute, 2670 Crain Highway, Suite 203 Waldorf, MD 20601</p> | <p>ENGINEERING BY TRENCO A MiTek Affiliate</p> <p>818 Soundside Road Edenton, NC 27932</p> |
|--|--|

| | | | | | | |
|--------------------|-------------|-----------------------------|----------|-----------------|---|-----------|
| Job J01120-5338 | Truss C3 | Truss Type COMMON GIRDER | Qty 1 | Ply 2 | Lot 2 East Park Job Reference (optional) | E14466344 |
|--------------------|-------------|-----------------------------|----------|-----------------|---|-----------|

Comtech, Inc, Fayetteville, NC - 28314,

8.330 s May 6 2020 MiTek Industries, Inc. Tue Jun 2 13:44:31 2020 Page 2
ID:BoL?hgXglYpqwdOiyUmcQyz41fz-fiPYqeHbxfNy50sMYEXefjnDQbrwnHYlyw1XizAItk

LOAD CASE(S) Standard

Concentrated Loads (lb)

Vert: 5=-1291(B) 6=-1291(B) 7=-1291(B) 8=-1291(B) 9=-1291(B) 10=-1283(B) 11=-1285(B)

WARNING - Verify design parameters and READ NOTES ON THIS AND INCLUDED MITEK REFERENCE PAGE MII-7473 rev. 5/19/2020 BEFORE USE.

Design valid for use only with MiTek® connectors. This design is based only upon parameters shown, and is for an individual building component, not a truss system. Before use, the building designer must verify the applicability of design parameters and properly incorporate this design into the overall building design. Bracing indicated is to prevent buckling of individual truss web and/or chord members only. Additional temporary and permanent bracing is always required for stability and to prevent collapse with possible personal injury and property damage. For general guidance regarding the fabrication, storage, delivery, erection and bracing of trusses and truss systems, see **ANSI/TPI1 Quality Criteria, DSB-89 and BCSI Building Component Safety Information** available from Truss Plate Institute, 2670 Crain Highway, Suite 203 Waldorf, MD 20601

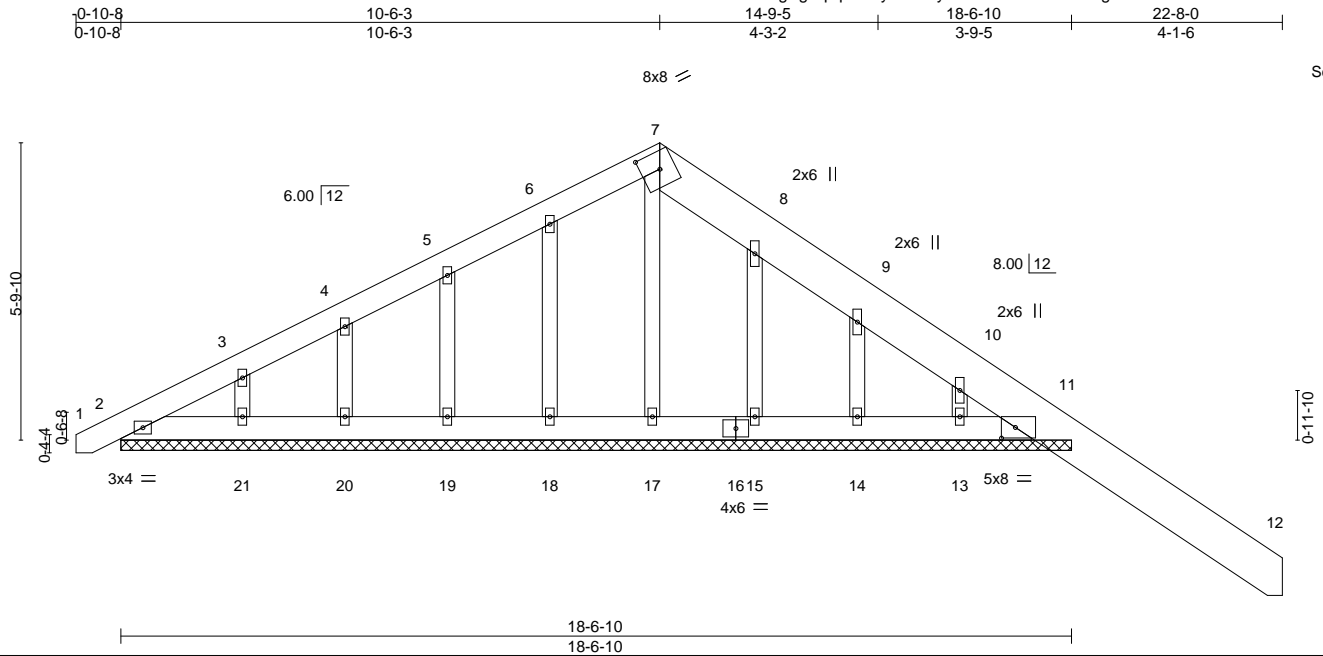


818 Soundside Road
Edenton, NC 27932

| | | | | | | |
|--------------------|-------------|---------------------|----------|----------|-----------------|-----------|
| Job J01120-5338 | Truss D1 | Truss Type GABLE | Qty 1 | Ply 1 | Lot 2 East Park | E14466345 |
|--------------------|-------------|---------------------|----------|----------|-----------------|-----------|

Comtech, Inc, Fayetteville, NC - 28314,

8.330 s May 6 2020 MiTek Industries, Inc. Tue Jun 2 13:44:33 2020 Page 1
ID:BoL?hgXglYpqwdOiyUmcQyz41fz-b4WJFKJrTGdgKJ0kffa6k8tawPIVFLDbPDn8bbzAlti



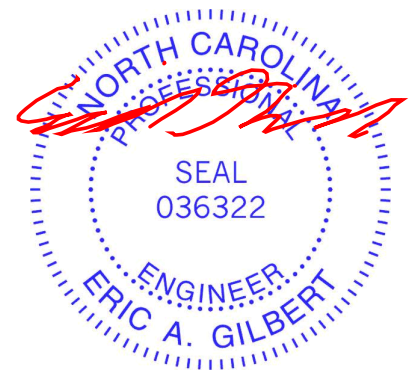
| | | | | | |
|-----------------------|-----------------------------------|-------------|----------------------------------|----------------|-------------|
| Plate Offsets (X,Y)-- | [7:0-4-6,0-4-0], [11:0-3-4,0-2-8] | | | | |
| LOADING (psf) | SPACING- 2-0-0 | CSI. | DEFL. in (loc) l/defl L/d | PLATES | GRIP |
| TCLL 20.0 | Plate Grip DOL 1.15 | TC 0.24 | Vert(LL) -0.03 12 n/r 120 | MT20 | 244/190 |
| TCDL 10.0 | Lumber DOL 1.15 | BC 0.09 | Vert(CT) -0.06 12 n/r 120 | | |
| BCLL 0.0 * | Rep Stress Incr YES | WB 0.09 | Horz(CT) 0.00 11 n/a n/a | | |
| BCDL 10.0 | Code IRC2015/TPI2014 | Matrix-S | | | |
| | | | | Weight: 160 lb | FT = 20% |

| | |
|--------------------------------|---|
| LUMBER- | BRACING- |
| TOP CHORD 2x6 SP No.1 *Except* | TOP CHORD Structural wood sheathing directly applied or 6-0-0 oc purlins. |
| 7-12: 2x10 SP No.1 | BOT CHORD Rigid ceiling directly applied or 10-0-0 oc bracing, Except: |
| BOT CHORD 2x6 SP No.1 | 6-0-0 oc bracing: 11-13. |
| OTHERS 2x4 SP No.2 | |

REACTIONS. All bearings 18-6-10.
 (lb) - Max Horz 2--215(LC 13)
 Max Uplift All uplift 100 lb or less at joint(s) 2, 18, 19, 20, 21, 15 except 11--489(LC 13), 14--121(LC 13), 13--420(LC 1)
 Max Grav All reactions 250 lb or less at joint(s) 2, 17, 18, 19, 20, 21, 15, 14 except 11=877(LC 1), 13=311(LC 13)

FORCES. (lb) - Max. Comp./Max. Ten. - All forces 250 (lb) or less except when shown.
 TOP CHORD 10-11--323/382
 WEBS 10-13--511/351

- NOTES-**
- 1) Unbalanced roof live loads have been considered for this design.
 - 2) Wind: ASCE 7-10; Vult=130mph (3-second gust) Vasd=103mph; TCDL=6.0psf; BCDL=6.0psf; h=15ft; Cat. II; Exp C; Enclosed; MWFRS (envelope) gable end zone and C-C Exterior(2) zone; C-C for members and forces & MWFRS for reactions shown; Lumber DOL=1.60 plate grip DOL=1.60
 - 3) Truss designed for wind loads in the plane of the truss only. For studs exposed to wind (normal to the face), see Standard Industry Gable End Details as applicable, or consult qualified building designer as per ANSI/TPI 1.
 - 4) All plates are 2x4 MT20 unless otherwise indicated.
 - 5) Gable requires continuous bottom chord bearing.
 - 6) Gable studs spaced at 2-0-0 oc.
 - 7) This truss has been designed for a 10.0 psf bottom chord live load nonconcurrent with any other live loads.
 - 8) * This truss has been designed for a live load of 30.0psf on the bottom chord in all areas where a rectangle 3-6-0 tall by 2-0-0 wide will fit between the bottom chord and any other members.
 - 9) Provide mechanical connection (by others) of truss to bearing plate capable of withstanding 100 lb uplift at joint(s) 2, 18, 19, 20, 21, 15 except (jt=lb) 11=489, 14=121, 13=420.



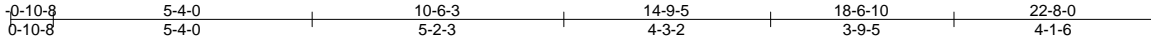
June 2, 2020

| | | | | | | |
|--------------------|-------------|----------------------------|----------|----------|-----------------|-----------|
| Job J01120-5338 | Truss D2 | Truss Type ROOF SPECIAL | Qty 6 | Ply 1 | Lot 2 East Park | E14466346 |
|--------------------|-------------|----------------------------|----------|----------|-----------------|-----------|

Comtech, Inc, Fayetteville, NC - 28314,

8.330 s May 6 2020 MiTek Industries, Inc. Tue Jun 2 13:44:34 2020 Page 1

ID:BoL?hgXglYpqwdOiyUmcQyz41fz-3G4hTgJUEalXyTbxDM5LHLPPhgo0_hjketWh81zAlth



Scale = 1:47.5

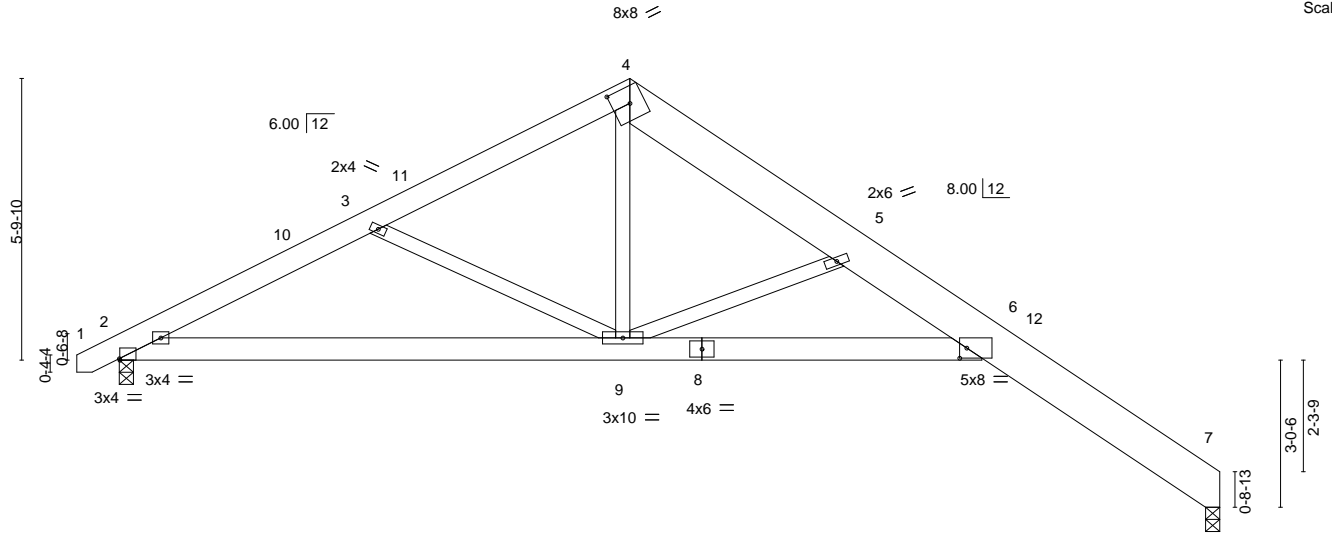


Plate Offsets (X,Y)-- [2:0-0-2,Edge], [4:0-4-6,0-4-0], [6:0-1-12,0-2-8]

| LOADING (psf) | SPACING- | CSL | DEFL. | in (loc) | l/defl | L/d | PLATES | GRIP |
|---------------|----------------------|----------|----------------|----------|--------|-----|----------------|----------|
| TCLL 20.0 | Plate Grip DOL 1.15 | TC 0.50 | Vert(LL) -0.20 | 6-9 | >999 | 360 | MT20 | 244/190 |
| TCDL 10.0 | Lumber DOL 1.15 | BC 0.39 | Vert(CT) -0.40 | 6-9 | >677 | 240 | | |
| BCLL 0.0 * | Rep Stress Incr YES | WB 0.52 | Horz(CT) 0.26 | 7 | n/a | n/a | | |
| BCDL 10.0 | Code IRC2015/TPI2014 | Matrix-S | Wind(LL) 0.13 | 6 | >999 | 240 | | |
| | | | | | | | Weight: 153 lb | FT = 20% |

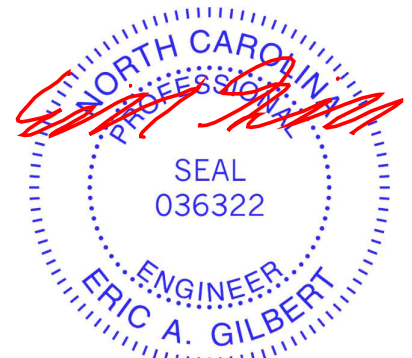
LUMBER-
TOP CHORD 2x6 SP No.1 *Except*
4-7: 2x10 SP 2400F 2.0E
BOT CHORD 2x6 SP No.1
WEBS 2x4 SP No.2

BRACING-
TOP CHORD Structural wood sheathing directly applied or 6-0-0 oc purlins.
BOT CHORD Rigid ceiling directly applied or 10-0-0 oc bracing.

REACTIONS. (size) 7=0-3-8, 2=0-3-8
Max Horz 2=176(LC 11)
Max Uplift 7=57(LC 13), 2=58(LC 12)
Max Grav 7=909(LC 1), 2=949(LC 1)

FORCES. (lb) - Max. Comp./Max. Ten. - All forces 250 (lb) or less except when shown.
TOP CHORD 2-3=-1528/386, 3-4=-1206/274, 4-5=-1286/301, 5-6=-2001/430, 6-7=-452/169
BOT CHORD 2-9=-189/1315, 6-9=-273/2152
WEBS 3-9=-349/230, 4-9=-109/874, 5-9=-1256/333

- NOTES-**
- Unbalanced roof live loads have been considered for this design.
 - Wind: ASCE 7-10; Vult=130mph (3-second gust) Vasd=103mph; TCDL=6.0psf; BCDL=6.0psf; h=15ft; Cat. II; Exp C; Enclosed; MWFRS (envelope) and C-C Exterior(2) -0-8-10 to 3-8-3, Interior(1) 3-8-3 to 10-6-3, Exterior(2) 10-6-3 to 15-1-11, Interior(1) 15-1-11 to 22-6-4 zone; C-C for members and forces & MWFRS for reactions shown; Lumber DOL=1.60 plate grip DOL=1.60
 - This truss has been designed for a 10.0 psf bottom chord live load nonconcurrent with any other live loads.
 - * This truss has been designed for a live load of 30.0psf on the bottom chord in all areas where a rectangle 3-6-0 tall by 2-0-0 wide will fit between the bottom chord and any other members.
 - Bearing at joint(s) 7 considers parallel to grain value using ANSI/TPI 1 angle to grain formula. Building designer should verify capacity of bearing surface.
 - Provide mechanical connection (by others) of truss to bearing plate capable of withstanding 100 lb uplift at joint(s) 7, 2.



June 2, 2020

WARNING - Verify design parameters and READ NOTES ON THIS AND INCLUDED MITEK REFERENCE PAGE MII-7473 rev. 5/19/2020 BEFORE USE.

Design valid for use only with MiTek® connectors. This design is based only upon parameters shown, and is for an individual building component, not a truss system. Before use, the building designer must verify the applicability of design parameters and properly incorporate this design into the overall building design. Bracing indicated is to prevent buckling of individual truss web and/or chord members only. Additional temporary and permanent bracing is always required for stability and to prevent collapse with possible personal injury and property damage. For general guidance regarding the fabrication, storage, delivery, erection and bracing of trusses and truss systems, see **ANSI/TPI1 Quality Criteria, DSB-89 and BCSI Building Component Safety Information** available from Truss Plate Institute, 2670 Crain Highway, Suite 203 Waldorf, MD 20601

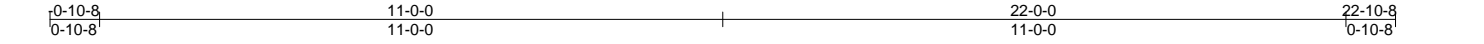


818 Soundside Road
Edenton, NC 27932

| | | | | | | |
|--------------------|-------------|------------------------------------|----------|----------|-----------------|-----------|
| Job J01120-5338 | Truss G1 | Truss Type COMMON SUPPORTED GAB | Qty 1 | Ply 1 | Lot 2 East Park | E14466347 |
|--------------------|-------------|------------------------------------|----------|----------|-----------------|-----------|

Comtech, Inc, Fayetteville, NC - 28314,

8.330 s May 6 2020 MiTek Industries, Inc. Tue Jun 2 13:44:36 2020 Page 1
ID:41DhdZG_ibjTUL8rQmgmdpz4zzJ-ofCRtMLkIB?EBnJLn7pMmV8LcnJSJM16B?oCwzAltF



Scale = 1:40.7

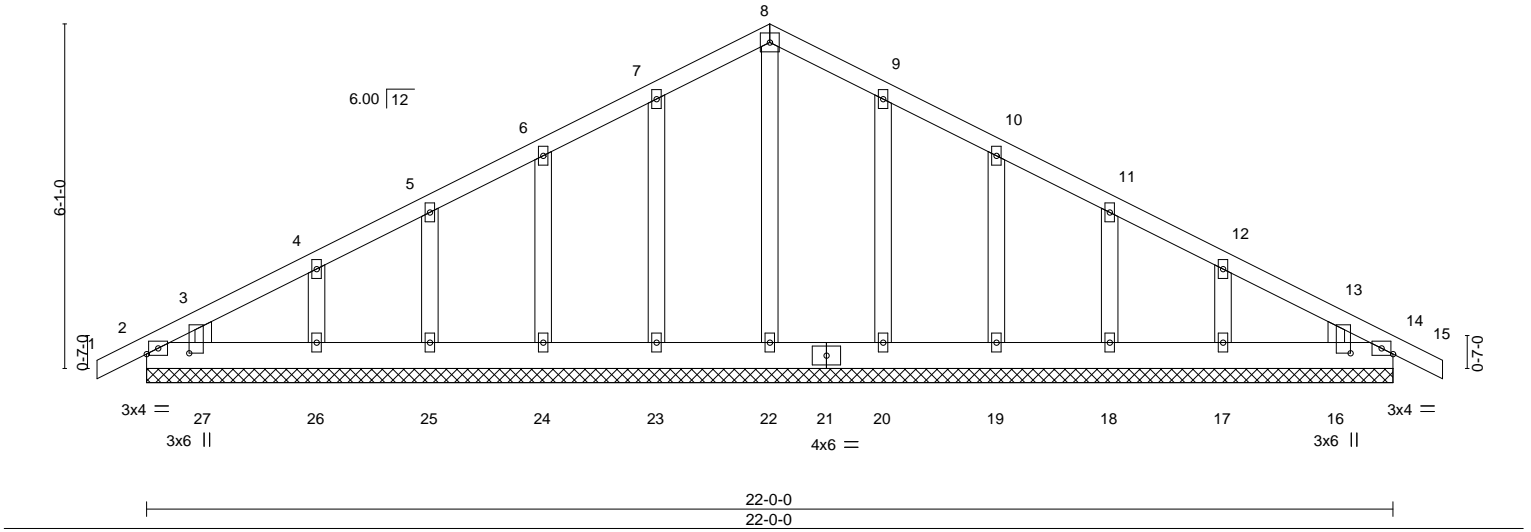


Plate Offsets (X, Y)-- [3:0-0-14,0-1-12], [13:0-0-14,0-1-12], [16:0-0-0,0-1-12], [16:0-0-3,0-9-0], [27:0-0-0,0-1-12], [27:0-0-3,0-9-0]

| LOADING (psf) | SPACING- | CSL. | DEFL. | PLATES | GRIP |
|---------------|----------------------|----------|---------------------------|----------------|----------|
| TCLL 20.0 | Plate Grip DOL 1.15 | TC 0.04 | in (loc) l/defl L/d | MT20 | 244/190 |
| TCDL 10.0 | Lumber DOL 1.15 | BC 0.02 | Vert(LL) -0.00 14 n/r 120 | | |
| BCLL 0.0 * | Rep Stress Incr YES | WB 0.06 | Vert(CT) -0.00 15 n/r 120 | | |
| BCDL 10.0 | Code IRC2015/TPI2014 | Matrix-S | Horz(CT) 0.00 14 n/a n/a | | |
| | | | | Weight: 134 lb | FT = 20% |

LUMBER-
TOP CHORD 2x4 SP No.1
BOT CHORD 2x6 SP No.1
OTHERS 2x4 SP No.2

BRACING-
TOP CHORD Structural wood sheathing directly applied or 6'-0-0 oc purlins.
BOT CHORD Rigid ceiling directly applied or 10'-0-0 oc bracing.

REACTIONS. All bearings 22-0-0.
(lb) - Max Horz 2=-120(LC 17)
Max Uplift All uplift 100 lb or less at joint(s) 2, 23, 24, 25, 26, 27, 20, 19, 18, 17, 16, 14
Max Grav All reactions 250 lb or less at joint(s) 2, 22, 23, 24, 25, 26, 27, 20, 19, 18, 17, 16, 14

FORCES. (lb) - Max. Comp./Max. Ten. - All forces 250 (lb) or less except when shown.

- NOTES-**
- Unbalanced roof live loads have been considered for this design.
 - Wind: ASCE 7-10; Vult=130mph (3-second gust) Vasd=103mph; TCDL=6.0psf; BCDL=6.0psf; h=15ft; Cat. II; Exp C; Enclosed; MWFRS (envelope) gable end zone and C-C Exterior(2) zone; C-C for members and forces & MWFRS for reactions shown; Lumber DOL=1.60 plate grip DOL=1.60
 - Truss designed for wind loads in the plane of the truss only. For studs exposed to wind (normal to the face), see Standard Industry Gable End Details as applicable, or consult qualified building designer as per ANSI/TPI 1.
 - All plates are 2x4 MT20 unless otherwise indicated.
 - Gable requires continuous bottom chord bearing.
 - Gable studs spaced at 2'-0-0 oc.
 - This truss has been designed for a 10.0 psf bottom chord live load nonconcurrent with any other live loads.
 - * This truss has been designed for a live load of 30.0psf on the bottom chord in all areas where a rectangle 3'-6-0 tall by 2'-0-0 wide will fit between the bottom chord and any other members.
 - Provide mechanical connection (by others) of truss to bearing plate capable of withstanding 100 lb uplift at joint(s) 2, 23, 24, 25, 26, 27, 20, 19, 18, 17, 16, 14.



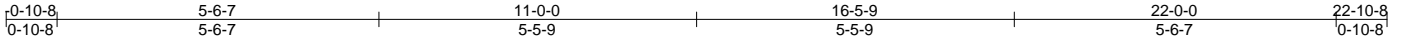
June 2, 2020

| | | | | | | |
|--------------------|-------------|----------------------|----------|----------|-----------------|-----------|
| Job J01120-5338 | Truss G2 | Truss Type Common | Qty 6 | Ply 1 | Lot 2 East Park | E14466348 |
|--------------------|-------------|----------------------|----------|----------|-----------------|-----------|

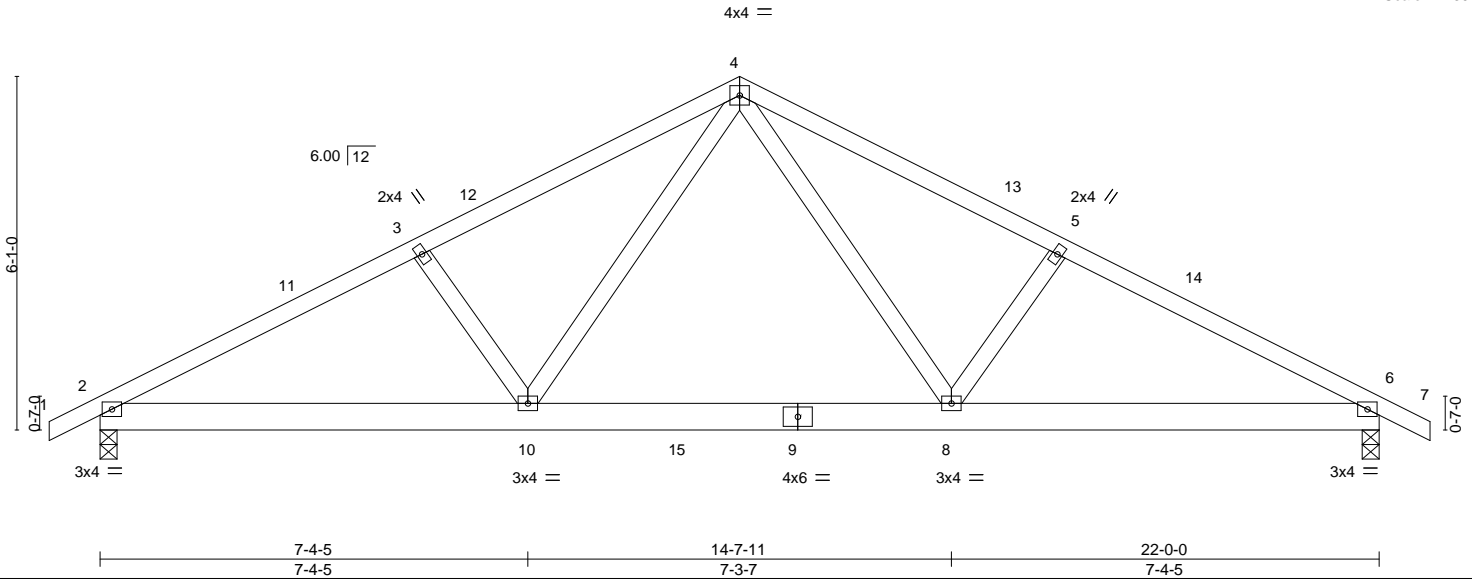
Comtech, Inc., Fayetteville, NC - 28314,

8.330 s May 6 2020 MiTek Industries, Inc. Tue Jun 2 13:44:38 2020 Page 1

ID:41DhdZG_ibjTUL8rQmgmdpz4zzJ-y2KCI2M_HoFyR5uiSC9HRBaQ3QQLwcyKZVUvHozAltd



Scale = 1:39.6



| LOADING (psf) | SPACING- | CSI. | DEFL. | in (loc) | l/defl | L/d | PLATES | GRIP |
|---------------|----------------------|----------|----------------|----------|--------|-----|----------------|----------|
| TCLL 20.0 | Plate Grip DOL 1.15 | TC 0.28 | Vert(LL) -0.05 | 8-10 | >999 | 360 | MT20 | 244/190 |
| TCDL 10.0 | Lumber DOL 1.15 | BC 0.24 | Vert(CT) -0.10 | 8-10 | >999 | 240 | | |
| BCLL 0.0 * | Rep Stress Incr YES | WB 0.12 | Horz(CT) 0.02 | 6 | n/a | n/a | | |
| BCDL 10.0 | Code IRC2015/TPI2014 | Matrix-S | Wind(LL) 0.03 | 8-10 | >999 | 240 | | |
| | | | | | | | Weight: 120 lb | FT = 20% |

LUMBER-
 TOP CHORD 2x4 SP No.1
 BOT CHORD 2x6 SP No.1
 WEBS 2x4 SP No.2

BRACING-
 TOP CHORD Structural wood sheathing directly applied or 5-0-0 oc purlins.
 BOT CHORD Rigid ceiling directly applied or 10-0-0 oc bracing.

REACTIONS. (size) 2=0-3-8, 6=0-3-8
 Max Horz 2=-77(LC 10)
 Max Uplift 2=-66(LC 12), 6=-66(LC 13)
 Max Grav 2=930(LC 1), 6=930(LC 1)

FORCES. (lb) - Max. Comp./Max. Ten. - All forces 250 (lb) or less except when shown.
 TOP CHORD 2-3=-1464/353, 3-4=-1284/366, 4-5=-1284/366, 5-6=-1464/353
 BOT CHORD 2-10=-228/1223, 8-10=-70/829, 6-8=-236/1223
 WEBS 4-8=-98/488, 5-8=-284/207, 4-10=-98/489, 3-10=-284/207

- NOTES-**
- Unbalanced roof live loads have been considered for this design.
 - Wind: ASCE 7-10; Vult=130mph (3-second gust) Vasd=103mph; TCDL=6.0psf; BCDL=6.0psf; h=15ft; Cat. II; Exp C; Enclosed; MWFRS (envelope) and C-C Exterior(2) -0-10-8 to 3-6-5, Interior(1) 3-6-5 to 11-0-0, Exterior(2) 11-0-0 to 15-4-13, Interior(1) 15-4-13 to 22-10-8 zone; C-C for members and forces & MWFRS for reactions shown; Lumber DOL=1.60 plate grip DOL=1.60
 - This truss has been designed for a 10.0 psf bottom chord live load nonconcurrent with any other live loads.
 - * This truss has been designed for a live load of 30.0psf on the bottom chord in all areas where a rectangle 3-6-0 tall by 2-0-0 wide will fit between the bottom chord and any other members, with BCDL = 10.0psf.
 - Provide mechanical connection (by others) of truss to bearing plate capable of withstanding 100 lb uplift at joint(s) 2, 6.



June 2, 2020

WARNING - Verify design parameters and READ NOTES ON THIS AND INCLUDED MITEK REFERENCE PAGE MII-7473 rev. 5/19/2020 BEFORE USE.

Design valid for use only with MiTek® connectors. This design is based only upon parameters shown, and is for an individual building component, not a truss system. Before use, the building designer must verify the applicability of design parameters and properly incorporate this design into the overall building design. Bracing indicated is to prevent buckling of individual truss web and/or chord members only. Additional temporary and permanent bracing is always required for stability and to prevent collapse with possible personal injury and property damage. For general guidance regarding the fabrication, storage, delivery, erection and bracing of trusses and truss systems, see **ANSI/TPI1 Quality Criteria, DSB-89 and BCSI Building Component Safety Information** available from Truss Plate Institute, 2670 Crain Highway, Suite 203 Waldorf, MD 20601



818 Soundside Road
 Edenton, NC 27932

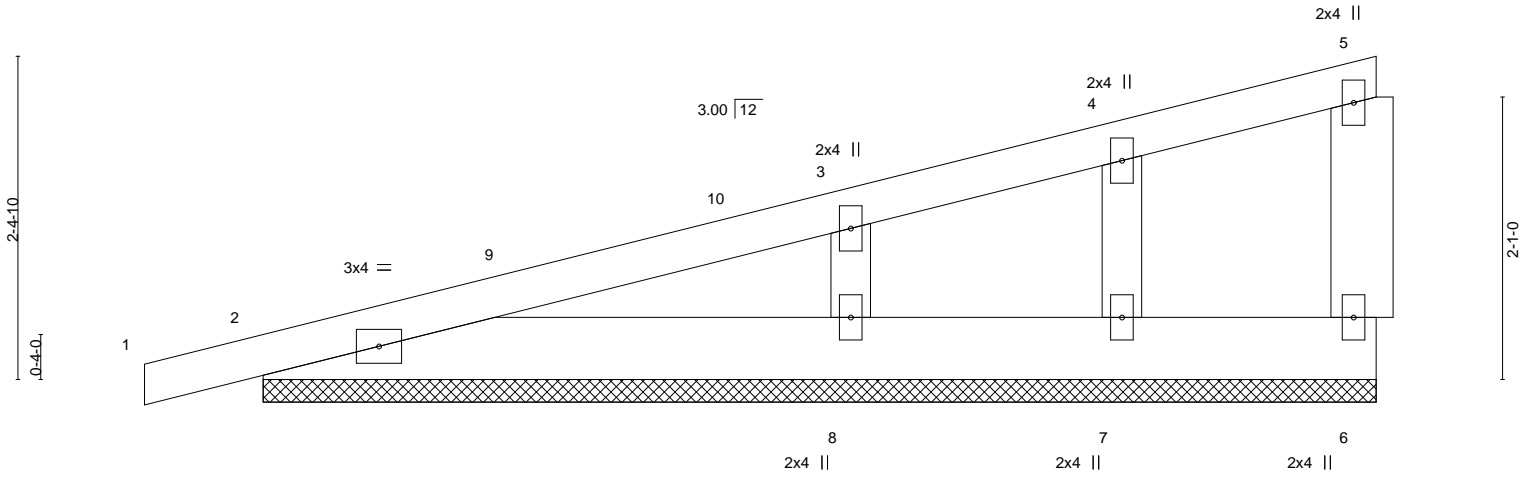
| | | | | | | |
|--------------------|-------------|---------------------|----------|----------|-----------------|-----------|
| Job J01120-5338 | Truss M1 | Truss Type GABLE | Qty 1 | Ply 1 | Lot 2 East Park | E14466349 |
|--------------------|-------------|---------------------|----------|----------|-----------------|-----------|

Comtech, Inc, Fayetteville, NC - 28314,

8.330 s May 6 2020 MiTek Industries, Inc. Tue Jun 2 13:44:40 2020 Page 1
ID:BoL?hgXglYpQwdOiyUmcQyz41fz-uQRyjjiOEpQVggO25adClXcfoND9qOXid0pz?LhzAltB



Scale = 1:17.0



| LOADING (psf) | SPACING- | CSL. | DEFL. | in (loc) | l/defl | L/d | PLATES | GRIP |
|---------------|----------------------|----------|----------------|----------|--------|-----|---------------|----------|
| TCLL 20.0 | Plate Grip DOL 1.15 | TC 0.16 | Vert(LL) -0.00 | 1 | n/r | 120 | MT20 | 244/190 |
| TCDL 10.0 | Lumber DOL 1.15 | BC 0.05 | Vert(CT) 0.00 | 1 | n/r | 120 | | |
| BCLL 0.0 * | Rep Stress Incr YES | WB 0.04 | Horz(CT) 0.00 | | n/a | n/a | | |
| BCDL 10.0 | Code IRC2015/TPI2014 | Matrix-P | | | | | Weight: 40 lb | FT = 20% |

LUMBER-
 TOP CHORD 2x4 SP No.1
 BOT CHORD 2x6 SP No.1
 WEBS 2x6 SP No.1
 OTHERS 2x4 SP No.2

BRACING-
 TOP CHORD Structural wood sheathing directly applied or 6-0-0 oc purlins, except end verticals.
 BOT CHORD Rigid ceiling directly applied or 10-0-0 oc bracing.

REACTIONS. All bearings 8-2-8.
 (lb) - Max Horz 2=109(LC 8)
 Max Uplift All uplift 100 lb or less at joint(s) 6, 2, 7 except 8=107(LC 12)
 Max Grav All reactions 250 lb or less at joint(s) 6, 2, 7 except 8=344(LC 1)

FORCES. (lb) - Max. Comp./Max. Ten. - All forces 250 (lb) or less except when shown.
 WEBS 3-8=-255/218

- NOTES-**
- 1) Wind: ASCE 7-10; Vult=130mph (3-second gust) Vasd=103mph; TCDL=6.0psf; BCDL=6.0psf; h=15ft; Cat. II; Exp C; Enclosed; MWFRS (envelope) gable end zone and C-C Exterior(2) -0-10-8 to 3-6-5, Interior(1) 3-6-5 to 8-1-4 zone; C-C for members and forces & MWFRS for reactions shown; Lumber DOL=1.60 plate grip DOL=1.60
 - 2) Truss designed for wind loads in the plane of the truss only. For studs exposed to wind (normal to the face), see Standard Industry Gable End Details as applicable, or consult qualified building designer as per ANSI/TPI 1.
 - 3) Gable requires continuous bottom chord bearing.
 - 4) Gable studs spaced at 2-0-0 oc.
 - 5) This truss has been designed for a 10.0 psf bottom chord live load nonconcurrent with any other live loads.
 - 6) * This truss has been designed for a live load of 30.0psf on the bottom chord in all areas where a rectangle 3-6-0 tall by 2-0-0 wide will fit between the bottom chord and any other members.
 - 7) Provide mechanical connection (by others) of truss to bearing plate capable of withstanding 100 lb uplift at joint(s) 6, 2, 7 except (j=lb) 8=107.



June 2, 2020

WARNING - Verify design parameters and READ NOTES ON THIS AND INCLUDED MITEK REFERENCE PAGE MII-7473 rev. 5/19/2020 BEFORE USE.

Design valid for use only with MiTek® connectors. This design is based only upon parameters shown, and is for an individual building component, not a truss system. Before use, the building designer must verify the applicability of design parameters and properly incorporate this design into the overall building design. Bracing indicated is to prevent buckling of individual truss web and/or chord members only. Additional temporary and permanent bracing is always required for stability and to prevent collapse with possible personal injury and property damage. For general guidance regarding the fabrication, storage, delivery, erection and bracing of trusses and truss systems, see

ANSI/TPI1 Quality Criteria, DSB-89 and BCSI Building Component

Safety Information available from Truss Plate Institute, 2670 Crain Highway, Suite 203 Waldorf, MD 20601



818 Soundside Road
Edenton, NC 27932

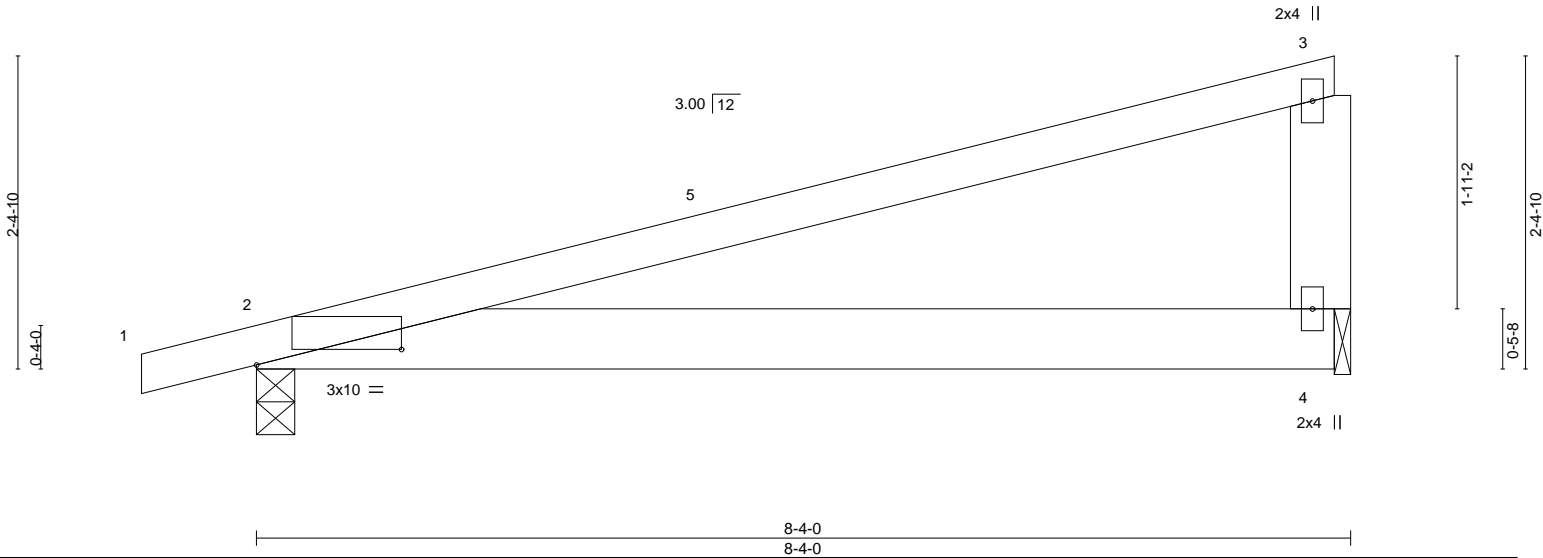
| | | | | | | |
|--------------------|-------------|-------------------------|----------|----------|-----------------|-----------|
| Job J01120-5338 | Truss M2 | Truss Type MONOPITCH | Qty 5 | Ply 1 | Lot 2 East Park | E14466350 |
|--------------------|-------------|-------------------------|----------|----------|-----------------|-----------|

Comtech, Inc, Fayetteville, NC - 28314,

8.330 s May 6 2020 MiTek Industries, Inc. Tue Jun 2 13:44:42 2020 Page 1
ID:BoL?hgXglYpqqwOiyUmcQyz41fz-qpZi8PQVL1IOviCTh2EDc1lyc1nysRnwU7S6QazAltZ



Scale = 1:17.5



| Plate Offsets (X,Y)-- | | [2:1-1-4,0-1-7] | | | | | | | |
|-----------------------|-----------------|-----------------|-------------|--------------|----------|--------|------|---------------|-------------|
| LOADING (psf) | SPACING- | 2-0-0 | CSI. | DEFL. | in (loc) | l/defl | L/d | PLATES | GRIP |
| TCLL 20.0 | Plate Grip DOL | 1.15 | TC 0.95 | Vert(LL) | -0.05 | 2-4 | >999 | MT20 | 244/190 |
| TCDL 10.0 | Lumber DOL | 1.15 | BC 0.26 | Vert(CT) | -0.11 | 2-4 | >880 | | |
| BCLL 0.0 * | Rep Stress Incr | YES | WB 0.00 | Horz(CT) | 0.00 | | n/a | | |
| BCDL 10.0 | Code | IRC2015/TPI2014 | Matrix-P | Wind(LL) | 0.00 | 2 | **** | | |
| | | | | | | | | Weight: 37 lb | FT = 20% |

LUMBER-
 TOP CHORD 2x4 SP No.1
 BOT CHORD 2x6 SP No.1
 WEBS 2x6 SP No.1

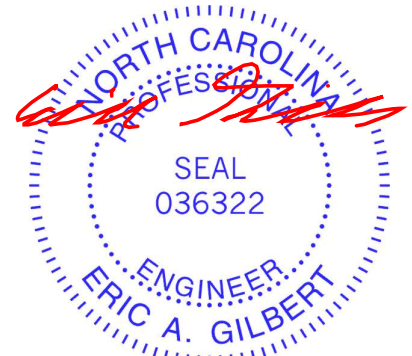
BRACING-
 TOP CHORD Structural wood sheathing directly applied or 2-2-0 oc purlins, except end verticals.
 BOT CHORD Rigid ceiling directly applied or 10-0-0 oc bracing.

REACTIONS. (size) 2=0-3-8, 4=0-1-8
 Max Horz 2=77(LC 8)
 Max Uplift 2=-66(LC 8), 4=-41(LC 12)
 Max Grav 2=384(LC 1), 4=314(LC 1)

FORCES. (lb) - Max. Comp./Max. Ten. - All forces 250 (lb) or less except when shown.

NOTES-

- 1) Wind: ASCE 7-10; Vult=130mph (3-second gust) Vasd=103mph; TCDL=6.0psf; BCDL=6.0psf; h=15ft; Cat. II; Exp C; Enclosed; MWFRS (envelope) and C-C Exterior(2) -0-10-8 to 3-6-5, Interior(1) 3-6-5 to 8-1-4 zone;C-C for members and forces & MWFRS for reactions shown; Lumber DOL=1.60 plate grip DOL=1.60
- 2) This truss has been designed for a 10.0 psf bottom chord live load nonconcurrent with any other live loads.
- 3) * This truss has been designed for a live load of 30.0psf on the bottom chord in all areas where a rectangle 3-6-0 tall by 2-0-0 wide will fit between the bottom chord and any other members.
- 4) Bearing at joint(s) 4 considers parallel to grain value using ANSI/TPI 1 angle to grain formula. Building designer should verify capacity of bearing surface.
- 5) Provide mechanical connection (by others) of truss to bearing plate at joint(s) 4.
- 6) Provide mechanical connection (by others) of truss to bearing plate capable of withstanding 100 lb uplift at joint(s) 2, 4.



June 2,2020

WARNING - Verify design parameters and READ NOTES ON THIS AND INCLUDED MITEK REFERENCE PAGE MII-7473 rev. 5/19/2020 BEFORE USE.

Design valid for use only with MiTek® connectors. This design is based only upon parameters shown, and is for an individual building component, not a truss system. Before use, the building designer must verify the applicability of design parameters and properly incorporate this design into the overall building design. Bracing indicated is to prevent buckling of individual truss web and/or chord members only. Additional temporary and permanent bracing is always required for stability and to prevent collapse with possible personal injury and property damage. For general guidance regarding the fabrication, storage, delivery, erection and bracing of trusses and truss systems, see **ANSI/TPI1 Quality Criteria, DSB-89 and BCSI Building Component Safety Information** available from Truss Plate Institute, 2670 Crain Highway, Suite 203 Waldorf, MD 20601

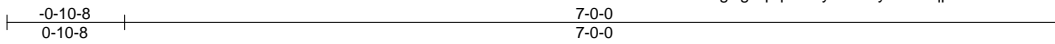


818 Soundside Road
 Edenton, NC 27932

| | | | | | | |
|--------------------|-------------|----------------------------|----------|----------|-----------------|-----------|
| Job J01120-5338 | Truss M3 | Truss Type ROOF SPECIAL | Qty 6 | Ply 1 | Lot 2 East Park | E14466351 |
|--------------------|-------------|----------------------------|----------|----------|-----------------|-----------|

Comtech, Inc, Fayetteville, NC - 28314,

8.330 s May 6 2020 MiTek Industries, Inc. Tue Jun 2 13:44:42 2020 Page 1
ID:BoL?hgXglYpqwdOiyUmcQyz41fz-qpZi8PQVL10viCTh2EDc1?G1easRnwU7S6QazAltZ



Scale = 1:17.1

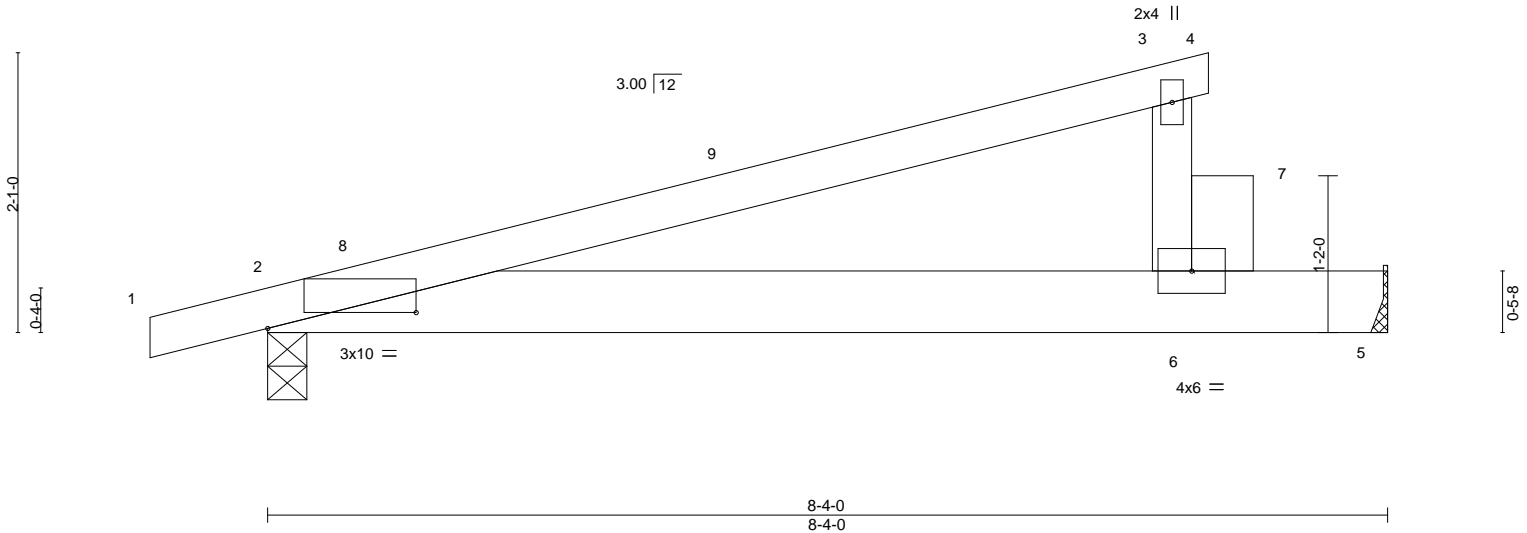


Plate Offsets (X,Y)-- [2:1-1-4,0-1-7]

| LOADING (psf) | SPACING- | CSI. | DEFL. | in (loc) | l/defl | L/d | PLATES | GRIP |
|---------------|----------------------|----------|----------------|----------|--------|-----|---------------|----------|
| TCLL 20.0 | Plate Grip DOL 1.15 | TC 0.71 | Vert(LL) -0.11 | 2-6 | >884 | 360 | MT20 | 244/190 |
| TCDL 10.0 | Lumber DOL 1.15 | BC 0.86 | Vert(CT) -0.26 | 2-6 | >373 | 240 | | |
| BCLL 0.0 * | Rep Stress Incr NO | WB 0.00 | Horz(CT) 0.00 | 5 | n/a | n/a | | |
| BCDL 10.0 | Code IRC2015/TPI2014 | Matrix-P | Wind(LL) 0.17 | 2-6 | >569 | 240 | | |
| | | | | | | | Weight: 35 lb | FT = 20% |

| LUMBER- | BRACING- |
|---|---|
| TOP CHORD 2x4 SP No.1 | TOP CHORD Structural wood sheathing directly applied or 6-0-0 oc purlins, except end verticals. |
| BOT CHORD 2x6 SP No.1 | BOT CHORD Rigid ceiling directly applied or 7-8-6 oc bracing. |
| WEBS 2x4 SP No.2 *Except* 6-7: 2x6 SP No.1 | |

REACTIONS. (size) 2=0-3-8, 5=Mechanical
 Max Horz 2=68(LC 8)
 Max Uplift 2=75(LC 8), 5=58(LC 12)
 Max Grav 2=468(LC 1), 5=656(LC 1)

FORCES. (lb) - Max. Comp./Max. Ten. - All forces 250 (lb) or less except when shown.

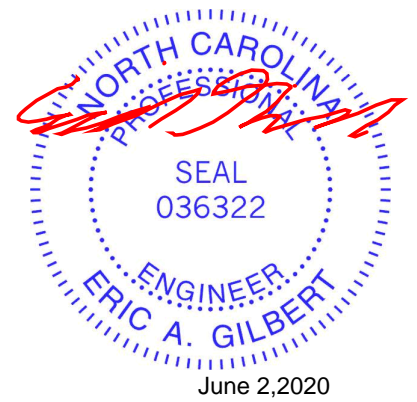
- NOTES-**
- 1) Wind: ASCE 7-10; Vult=130mph (3-second gust) Vasd=103mph; TCDL=6.0psf; BCDL=6.0psf; h=15ft; Cat. II; Exp C; Enclosed; MWFRS (envelope) and C-C Exterior(2) -0-10-8 to 3-6-5, Interior(1) 3-6-5 to 7-0-0 zone;C-C for members and forces & MWFRS for reactions shown; Lumber DOL=1.60 plate grip DOL=1.60
 - 2) This truss has been designed for a 10.0 psf bottom chord live load nonconcurrent with any other live loads.
 - 3) * This truss has been designed for a live load of 30.0psf on the bottom chord in all areas where a rectangle 3-6-0 tall by 2-0-0 wide will fit between the bottom chord and any other members.
 - 4) Refer to girder(s) for truss to truss connections.
 - 5) Provide mechanical connection (by others) of truss to bearing plate capable of withstanding 100 lb uplift at joint(s) 2, 5.
 - 6) Hanger(s) or other connection device(s) shall be provided sufficient to support concentrated load(s) 500 lb down and 265 lb up at 7-1-12 on bottom chord. The design/selection of such connection device(s) is the responsibility of others.

LOAD CASE(S) Standard

- 1) Dead + Roof Live (balanced): Lumber Increase=1.15, Plate Increase=1.15

Uniform Loads (plf)
 Vert: 1-3=-60, 3-4=-20, 2-5=-20

Concentrated Loads (lb)
 Vert: 6=500



| | | | | | | |
|--------------------|-------------|---------------------|----------|----------|-----------------|-----------|
| Job J01120-5338 | Truss M4 | Truss Type GABLE | Qty 1 | Ply 1 | Lot 2 East Park | E14466352 |
|--------------------|-------------|---------------------|----------|----------|-----------------|-----------|

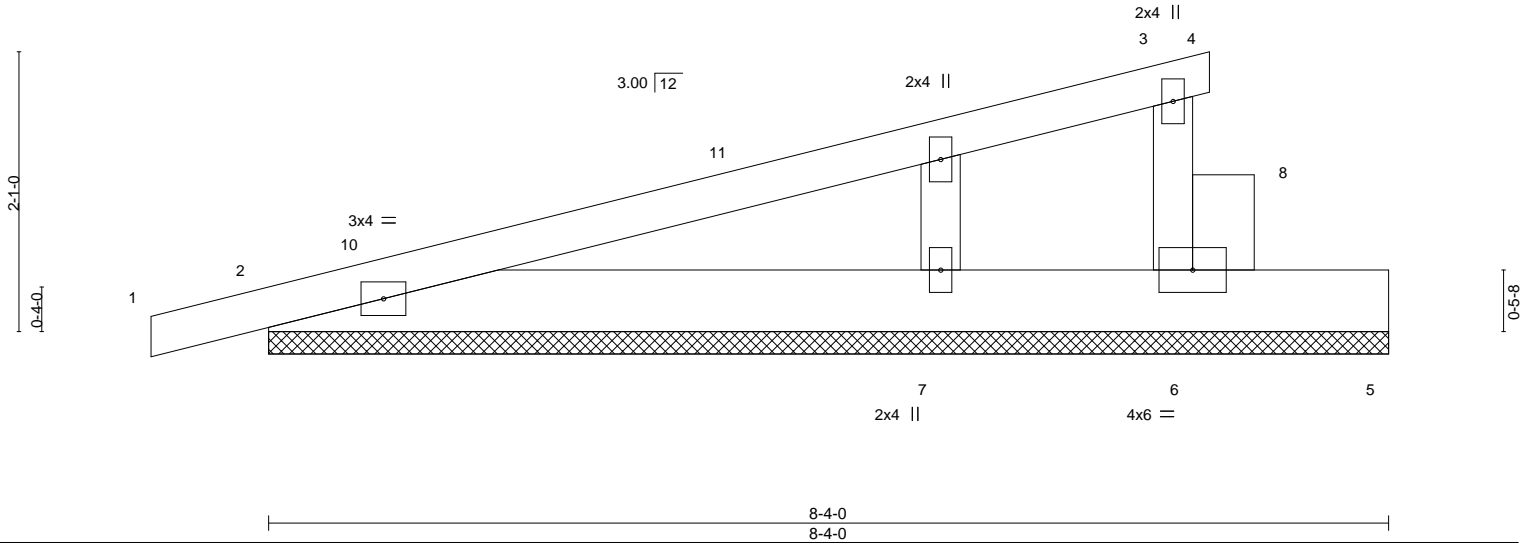
Comtech, Inc, Fayetteville, NC - 28314,

8.330 s May 6 2020 MiTek Industries, Inc. Tue Jun 2 13:44:44 2020 Page 1

ID:BoL?hgXglYpqwdOiyUmcQyz41fz-nChTZ5Rlte0690MspTGhhSqMqVUKLHCxRxDUSzAltX



Scale = 1:17.1



| LOADING (psf) | SPACING- | CSI. | DEFL. | in (loc) | l/defl | L/d | PLATES | GRIP |
|---------------|----------------------|----------|----------------|----------|--------|-----|---------------|----------|
| TCLL 20.0 | Plate Grip DOL 1.15 | TC 0.66 | Vert(LL) -0.01 | 4 | n/r | 120 | MT20 | 244/190 |
| TCDL 10.0 | Lumber DOL 1.15 | BC 0.06 | Vert(CT) 0.01 | 4 | n/r | 120 | | |
| BCLL 0.0 * | Rep Stress Incr YES | WB 0.00 | Horz(CT) 0.00 | 6 | n/a | n/a | | |
| BCDL 10.0 | Code IRC2015/TPI2014 | Matrix-P | | | | | Weight: 37 lb | FT = 20% |

LUMBER-

TOP CHORD 2x4 SP No.1
 BOT CHORD 2x6 SP No.1
 WEBS 2x4 SP No.2 *Except*
 6-8: 2x6 SP No.1
 OTHERS 2x4 SP No.2

BRACING-

TOP CHORD Structural wood sheathing directly applied or 6-0-0 oc purlins, except end verticals.
 BOT CHORD Rigid ceiling directly applied or 10-0-0 oc bracing.

REACTIONS.

(size) 6=8-4-0, 2=8-4-0, 7=8-4-0
 Max Horz 2=96(LC 8)
 Max Uplift 6=109(LC 12), 2=133(LC 8)
 Max Grav 6=235(LC 1), 2=303(LC 1), 7=181(LC 3)

FORCES. (lb) - Max. Comp./Max. Ten. - All forces 250 (lb) or less except when shown.

NOTES-

- 1) Wind: ASCE 7-10; Vult=130mph (3-second gust) Vasd=103mph; TCDL=6.0psf; BCDL=6.0psf; h=15ft; Cat. II; Exp C; Enclosed; MWFRS (envelope) gable end zone and C-C Exterior(2) -0-10-8 to 3-6-5, Interior(1) 3-6-5 to 7-0-0 zone; C-C for members and forces & MWFRS for reactions shown; Lumber DOL=1.60 plate grip DOL=1.60
- 2) Truss designed for wind loads in the plane of the truss only. For studs exposed to wind (normal to the face), see Standard Industry Gable End Details as applicable, or consult qualified building designer as per ANSI/TPI 1.
- 3) Gable requires continuous bottom chord bearing.
- 4) Gable studs spaced at 2-0-0 oc.
- 5) This truss has been designed for a 10.0 psf bottom chord live load nonconcurrent with any other live loads.
- 6) * This truss has been designed for a live load of 30.0psf on the bottom chord in all areas where a rectangle 3-6-0 tall by 2-0-0 wide will fit between the bottom chord and any other members.
- 7) Provide mechanical connection (by others) of truss to bearing plate capable of withstanding 100 lb uplift at joint(s) except (jt=lb) 6=109, 2=133.



June 2, 2020

WARNING - Verify design parameters and READ NOTES ON THIS AND INCLUDED MITEK REFERENCE PAGE MII-7473 rev. 5/19/2020 BEFORE USE.

Design valid for use only with MiTek® connectors. This design is based only upon parameters shown, and is for an individual building component, not a truss system. Before use, the building designer must verify the applicability of design parameters and properly incorporate this design into the overall building design. Bracing indicated is to prevent buckling of individual truss web and/or chord members only. Additional temporary and permanent bracing is always required for stability and to prevent collapse with possible personal injury and property damage. For general guidance regarding the fabrication, storage, delivery, erection and bracing of trusses and truss systems, see **ANSI/TPI1 Quality Criteria, DSB-89 and BCSI Building Component Safety Information** available from Truss Plate Institute, 2670 Crain Highway, Suite 203 Waldorf, MD 20601



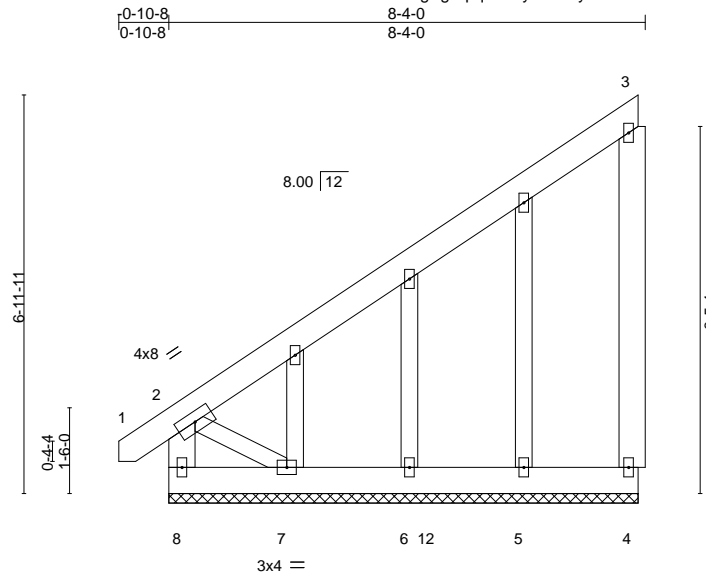
818 Soundside Road
 Edenton, NC 27932

| | | | | | | |
|--------------------|-------------|---------------------|----------|----------|-----------------|-----------|
| Job J01120-5338 | Truss M5 | Truss Type GABLE | Qty 1 | Ply 1 | Lot 2 East Park | E14466353 |
|--------------------|-------------|---------------------|----------|----------|-----------------|-----------|

Comtech, Inc, Fayetteville, NC - 28314,

8.330 s May 6 2020 MiTek Industries, Inc. Tue Jun 2 13:44:45 2020 Page 1

ID:BoL?hgXglYpqwdOiyUmcQyz41fz-FOFrmRSNey8zm9x2MAnwEgNbUEsN3nZMA5hm1uzAltW



Scale = 1:40.3

| LOADING (psf) | SPACING- | CSL. | DEFL. | in (loc) | l/defl | L/d | PLATES | GRIP |
|---------------|----------------------|----------|----------------|----------|--------|-----|---------------|----------|
| TCLL 20.0 | Plate Grip DOL 1.15 | TC 0.40 | Vert(LL) -0.02 | 1 | n/r | 120 | MT20 | 244/190 |
| TCDL 10.0 | Lumber DOL 1.15 | BC 0.02 | Vert(CT) 0.01 | 1 | n/r | 120 | | |
| BCLL 0.0 * | Rep Stress Incr YES | WB 0.06 | Horz(CT) -0.00 | 4 | n/a | n/a | | |
| BCDL 10.0 | Code IRC2015/TPI2014 | Matrix-P | | | | | Weight: 79 lb | FT = 20% |

LUMBER-

TOP CHORD 2x6 SP No.1
 BOT CHORD 2x6 SP No.1
 WEBS 2x6 SP No.1 *Except*
 2-7: 2x4 SP No.2
 OTHERS 2x4 SP No.2

BRACING-

TOP CHORD Structural wood sheathing directly applied or 6-0-0 oc purlins, except end verticals.
 BOT CHORD Rigid ceiling directly applied or 10-0-0 oc bracing.

REACTIONS.

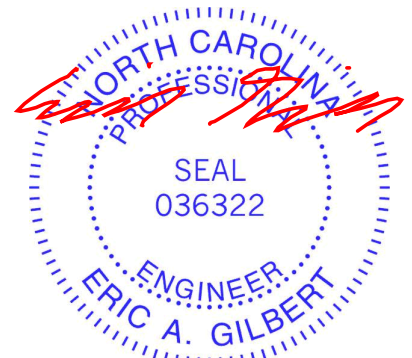
All bearings 8-2-8.
 (lb) - Max Horz 8=271(LC 12)
 Max Uplift All uplift 100 lb or less at joint(s) except 4=206(LC 12), 7=142(LC 12)
 Max Grav All reactions 250 lb or less at joint(s) 5, 6, 7 except 4=311(LC 19), 8=311(LC 1)

FORCES.

(lb) - Max. Comp./Max. Ten. - All forces 250 (lb) or less except when shown.
 TOP CHORD 3-4=-301/227, 2-8=-298/0
 BOT CHORD 7-8=-302/225
 WEBS 2-7=-265/356

NOTES-

- 1) Wind: ASCE 7-10; Vult=130mph (3-second gust) Vasd=103mph; TCDL=6.0psf; BCDL=6.0psf; h=15ft; Cat. II; Exp C; Enclosed; MWFRS (envelope) gable end zone and C-C Exterior(2) zone; porch left and right exposed;C-C for members and forces & MWFRS for reactions shown; Lumber DOL=1.60 plate grip DOL=1.60
- 2) Truss designed for wind loads in the plane of the truss only. For studs exposed to wind (normal to the face), see Standard Industry Gable End Details as applicable, or consult qualified building designer as per ANSI/TPI 1.
- 3) All plates are 2x4 MT20 unless otherwise indicated.
- 4) Gable requires continuous bottom chord bearing.
- 5) Gable studs spaced at 2-0-0 oc.
- 6) This truss has been designed for a 10.0 psf bottom chord live load nonconcurrent with any other live loads.
- 7) * This truss has been designed for a live load of 30.0psf on the bottom chord in all areas where a rectangle 3-6-0 tall by 2-0-0 wide will fit between the bottom chord and any other members, with BCDL = 10.0psf.
- 8) Provide mechanical connection (by others) of truss to bearing plate capable of withstanding 206 lb uplift at joint 4 and 142 lb uplift at joint 7.



June 2,2020

WARNING - Verify design parameters and READ NOTES ON THIS AND INCLUDED MITEK REFERENCE PAGE MII-7473 rev. 5/19/2020 BEFORE USE.

Design valid for use only with MiTek® connectors. This design is based only upon parameters shown, and is for an individual building component, not a truss system. Before use, the building designer must verify the applicability of design parameters and properly incorporate this design into the overall building design. Bracing indicated is to prevent buckling of individual truss web and/or chord members only. Additional temporary and permanent bracing is always required for stability and to prevent collapse with possible personal injury and property damage. For general guidance regarding the fabrication, storage, delivery, erection and bracing of trusses and truss systems, see **ANSI/TPI1 Quality Criteria, DSB-89 and BCSI Building Component Safety Information** available from Truss Plate Institute, 2670 Crain Highway, Suite 203 Waldorf, MD 20601



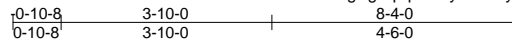
818 Soundside Road
 Edenton, NC 27932

| | | | | | | |
|--------------------|-------------|-------------------------|----------|----------|-----------------|-----------|
| Job J01120-5338 | Truss M6 | Truss Type MONOPITCH | Qty 6 | Ply 1 | Lot 2 East Park | E14466354 |
|--------------------|-------------|-------------------------|----------|----------|-----------------|-----------|

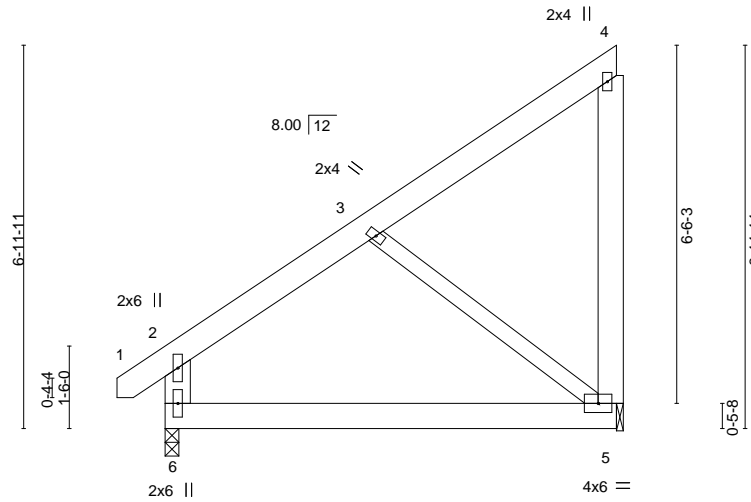
Comtech, Inc, Fayetteville, NC - 28314,

8.330 s May 6 2020 MiTek Industries, Inc. Tue Jun 2 13:44:46 2020 Page 1

ID:BoL?hgXglYpqwdOiyUmcQyz41fz-japD_nT?PGGqOJWEwuJ9mtvq0eA8oCMVPIQKZLzAltV



Scale = 1:41.9



| LOADING (psf) | SPACING- | CSL | DEFL. | in (loc) | l/defl | L/d | PLATES | GRIP |
|---------------|----------------------|----------|----------------|----------|--------|-----|---------------|----------|
| TCLL 20.0 | 2-0-0 | TC 0.09 | Vert(LL) -0.03 | 5-6 | >999 | 360 | MT20 | 244/190 |
| TCDL 10.0 | Plate Grip DOL 1.15 | BC 0.18 | Vert(CT) -0.06 | 5-6 | >999 | 240 | | |
| BCLL 0.0 * | Lumber DOL 1.15 | WB 0.16 | Horz(CT) -0.00 | 5 | n/a | n/a | | |
| BCDL 10.0 | Rep Stress Incr YES | Matrix-S | Wind(LL) 0.07 | 5-6 | >999 | 240 | | |
| | Code IRC2015/TPI2014 | | | | | | Weight: 69 lb | FT = 20% |

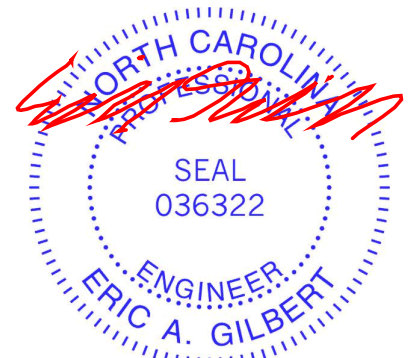
LUMBER-
 TOP CHORD 2x6 SP No.1
 BOT CHORD 2x6 SP No.1
 WEBS 2x6 SP No.1 *Except*
 3-5: 2x4 SP No.2

BRACING-
 TOP CHORD Structural wood sheathing directly applied or 6-0-0 oc purlins, except end verticals.
 BOT CHORD Rigid ceiling directly applied or 10-0-0 oc bracing.

REACTIONS. (size) 6=0-3-0, 5=0-1-8
 Max Horz 6=178(LC 12)
 Max Uplift 6=-27(LC 9), 5=-143(LC 9)
 Max Grav 6=376(LC 1), 5=310(LC 1)

FORCES. (lb) - Max. Comp./Max. Ten. - All forces 250 (lb) or less except when shown.
 TOP CHORD 2-3=-268/39, 2-6=-290/86
 BOT CHORD 5-6=-250/259
 WEBS 3-5=-313/285

- NOTES-**
- 1) Wind: ASCE 7-10; Vult=130mph (3-second gust) Vasd=103mph; TCDL=6.0psf; BCDL=6.0psf; h=15ft; Cat. II; Exp C; Enclosed; MWFRS (envelope) and C-C Exterior(2) -0-8-12 to 3-7-11, Interior(1) 3-7-11 to 8-1-0 zone; end vertical left exposed; porch left and right exposed; C-C for members and forces & MWFRS for reactions shown; Lumber DOL=1.60 plate grip DOL=1.60
 - 2) This truss has been designed for a 10.0 psf bottom chord live load nonconcurrent with any other live loads.
 - 3) * This truss has been designed for a live load of 30.0psf on the bottom chord in all areas where a rectangle 3-6-0 tall by 2-0-0 wide will fit between the bottom chord and any other members.
 - 4) Bearing at joint(s) 5 considers parallel to grain value using ANSI/TPI 1 angle to grain formula. Building designer should verify capacity of bearing surface.
 - 5) Provide mechanical connection (by others) of truss to bearing plate at joint(s) 5.
 - 6) Provide mechanical connection (by others) of truss to bearing plate capable of withstanding 27 lb uplift at joint 6 and 143 lb uplift at joint 5.



June 2, 2020

WARNING - Verify design parameters and READ NOTES ON THIS AND INCLUDED MITEK REFERENCE PAGE MII-7473 rev. 5/19/2020 BEFORE USE.

Design valid for use only with MiTek® connectors. This design is based only upon parameters shown, and is for an individual building component, not a truss system. Before use, the building designer must verify the applicability of design parameters and properly incorporate this design into the overall building design. Bracing indicated is to prevent buckling of individual truss web and/or chord members only. Additional temporary and permanent bracing is always required for stability and to prevent collapse with possible personal injury and property damage. For general guidance regarding the fabrication, storage, delivery, erection and bracing of trusses and truss systems, see **ANSI/TPI1 Quality Criteria, DSB-89 and BCSI Building Component Safety Information** available from Truss Plate Institute, 2670 Crain Highway, Suite 203 Waldorf, MD 20601



818 Soundside Road
 Edenton, NC 27932

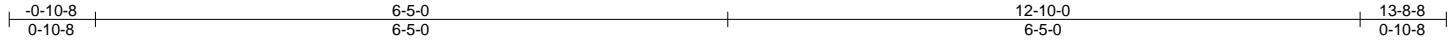
| | | | | | | |
|--------------------|-------------|---------------------|----------|----------|-----------------|-----------|
| Job J01120-5338 | Truss P1 | Truss Type GABLE | Qty 1 | Ply 1 | Lot 2 East Park | E14466355 |
|--------------------|-------------|---------------------|----------|----------|-----------------|-----------|

Comtech, Inc., Fayetteville, NC - 28314,

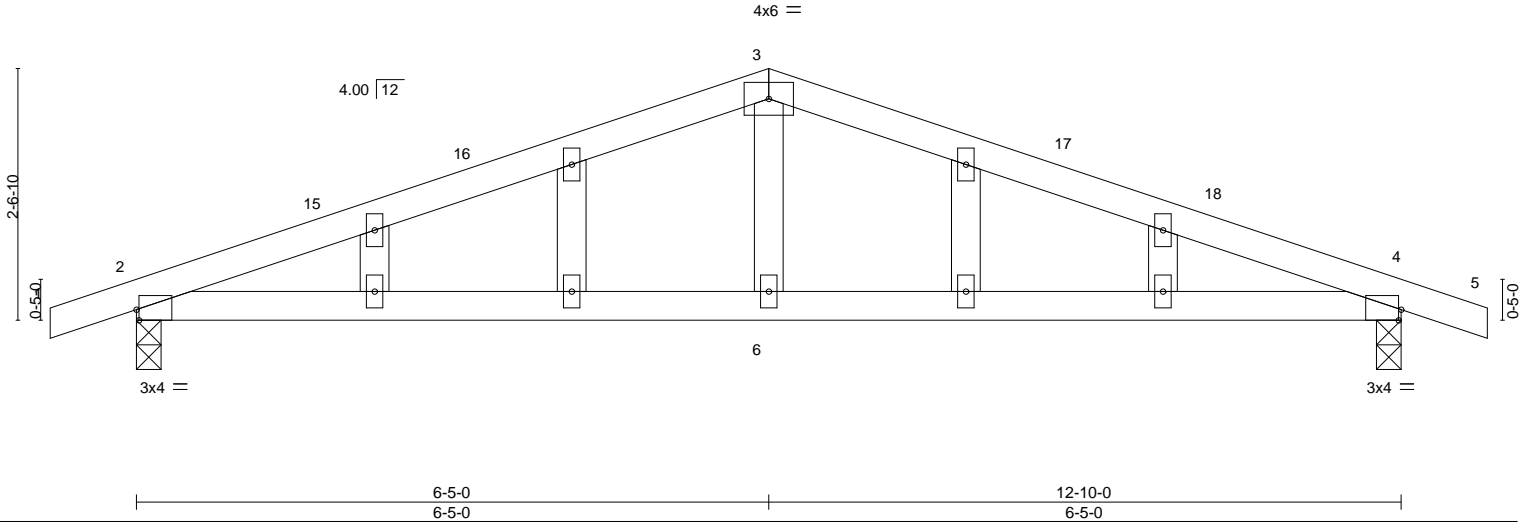
8.330 s May 6 2020 MiTek Industries, Inc. Tue Jun 2 13:44:48 2020 Page 1

ID:BoL?hgXglYpQwdOiyUmcQyz41fz-fzw_PsUGxtWXddfd2JLdrl?5ySp2G7Cos3vRdDzAltT

Job Reference (optional)



Scale = 1:23.4



| | | | | | |
|-----------------------|--------------------------------|-------------|----------------------------------|---------------|-------------|
| Plate Offsets (X,Y)-- | [2:0-0-5,Edge], [4:0-0-5,Edge] | | | | |
| LOADING (psf) | SPACING- 2-0-0 | CSI. | DEFL. in (loc) l/defl L/d | PLATES | GRIP |
| TCLL 20.0 | Plate Grip DOL 1.15 | TC 0.44 | Vert(LL) 0.11 4-6 >999 240 | MT20 | 244/190 |
| TCDL 10.0 | Lumber DOL 1.15 | BC 0.34 | Vert(CT) -0.09 2-6 >999 240 | | |
| BCLL 0.0 * | Rep Stress Incr YES | WB 0.07 | Horz(CT) 0.01 4 n/a n/a | | |
| BCDL 10.0 | Code IRC2015/TPI2014 | Matrix-S | | Weight: 51 lb | FT = 20% |

LUMBER-
TOP CHORD 2x4 SP No.1
BOT CHORD 2x4 SP No.1
WEBS 2x4 SP No.2
OTHERS 2x4 SP No.2

BRACING-
TOP CHORD Structural wood sheathing directly applied or 5-9-9 oc purlins.
BOT CHORD Rigid ceiling directly applied or 6-6-10 oc bracing.

REACTIONS. (size) 2=0-3-0, 4=0-3-0
Max Horz 2=-49(LC 17)
Max Uplift 2=-309(LC 8), 4=-309(LC 9)
Max Grav 2=563(LC 1), 4=563(LC 1)

FORCES. (lb) - Max. Comp./Max. Ten. - All forces 250 (lb) or less except when shown.
TOP CHORD 2-3=-910/965, 3-4=-910/965
BOT CHORD 2-6=-828/799, 4-6=-828/799
WEBS 3-6=-383/303

- NOTES-**
- Unbalanced roof live loads have been considered for this design.
 - Wind: ASCE 7-10; Vult=130mph (3-second gust) Vasd=103mph; TCDL=6.0psf; BCDL=6.0psf; h=15ft; Cat. II; Exp C; Enclosed; MWFRS (envelope) gable end zone and C-C Exterior(2) -0-10-8 to 3-6-5, Interior(1) 3-6-5 to 6-5-0, Exterior(2) 6-5-0 to 10-9-13, Interior(1) 10-9-13 to 13-8-8 zone; porch left and right exposed; C-C for members and forces & MWFRS for reactions shown; Lumber DOL=1.60 plate grip DOL=1.60
 - Truss designed for wind loads in the plane of the truss only. For studs exposed to wind (normal to the face), see Standard Industry Gable End Details as applicable, or consult qualified building designer as per ANSI/TPI 1.
 - All plates are 2x4 MT20 unless otherwise indicated.
 - Gable studs spaced at 2-0-0 oc.
 - This truss has been designed for a 10.0 psf bottom chord live load nonconcurrent with any other live loads.
 - * This truss has been designed for a live load of 30.0psf on the bottom chord in all areas where a rectangle 3-6-0 tall by 2-0-0 wide will fit between the bottom chord and any other members.
 - Provide mechanical connection (by others) of truss to bearing plate capable of withstanding 309 lb uplift at joint 2 and 309 lb uplift at joint 4.



June 2, 2020

WARNING - Verify design parameters and READ NOTES ON THIS AND INCLUDED MITEK REFERENCE PAGE MII-7473 rev. 5/19/2020 BEFORE USE.

Design valid for use only with MiTek® connectors. This design is based only upon parameters shown, and is for an individual building component, not a truss system. Before use, the building designer must verify the applicability of design parameters and properly incorporate this design into the overall building design. Bracing indicated is to prevent buckling of individual truss web and/or chord members only. Additional temporary and permanent bracing is always required for stability and to prevent collapse with possible personal injury and property damage. For general guidance regarding the fabrication, storage, delivery, erection and bracing of trusses and truss systems, see **ANSI/TPI1 Quality Criteria, DSB-89 and BCSI Building Component Safety Information** available from Truss Plate Institute, 2670 Crain Highway, Suite 203 Waldorf, MD 20601



818 Soundside Road
Edenton, NC 27932

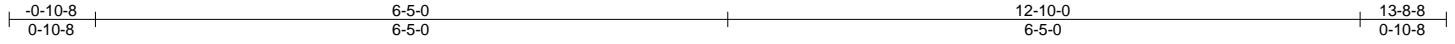
| | | | | | | |
|--------------------|-------------|----------------------|----------|----------|-----------------|-----------|
| Job J01120-5338 | Truss P2 | Truss Type COMMON | Qty 2 | Ply 1 | Lot 2 East Park | E14466356 |
|--------------------|-------------|----------------------|----------|----------|-----------------|-----------|

Comtech, Inc., Fayetteville, NC - 28314,

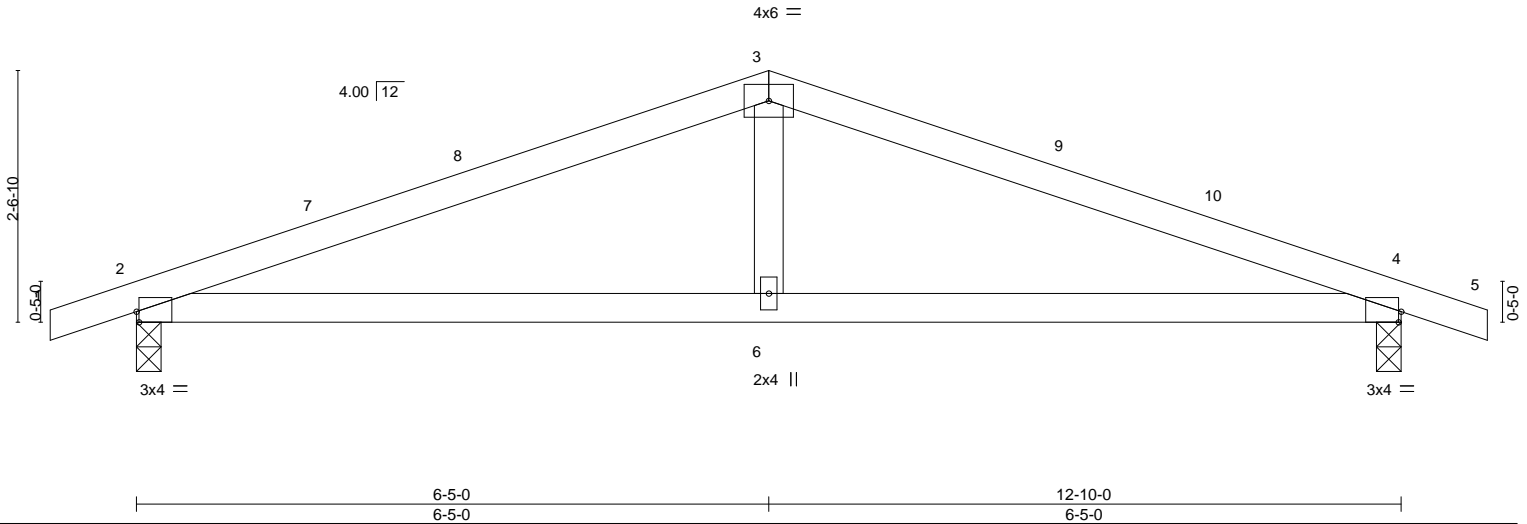
8.330 s May 6 2020 MiTek Industries, Inc. Tue Jun 2 13:44:49 2020 Page 1

ID:BoL?hgXglYpqwdOiyUmcQyz41fz-79UMcoVuiBeOfnEpb0ssOWXGir8H?aSy5jf_AgzAltS

Job Reference (optional)



Scale = 1:23.4



| | | | | | |
|-----------------------|--------------------------------|-------------|----------------------------------|---------------|-------------|
| Plate Offsets (X,Y)-- | [2:0-0-5,Edge], [4:0-0-5,Edge] | | | | |
| LOADING (psf) | SPACING- 2-0-0 | CSI. | DEFL. in (loc) l/defl L/d | PLATES | GRIP |
| TCLL 20.0 | Plate Grip DOL 1.15 | TC 0.44 | Vert(LL) 0.11 4-6 >999 240 | MT20 | 244/190 |
| TCDL 10.0 | Lumber DOL 1.15 | BC 0.34 | Vert(CT) -0.09 2-6 >999 240 | | |
| BCLL 0.0 * | Rep Stress Incr YES | WB 0.07 | Horz(CT) 0.01 4 n/a n/a | | |
| BCDL 10.0 | Code IRC2015/TPI2014 | Matrix-S | | Weight: 45 lb | FT = 20% |

LUMBER-
 TOP CHORD 2x4 SP No.1
 BOT CHORD 2x4 SP No.1
 WEBS 2x4 SP No.2

BRACING-
 TOP CHORD Structural wood sheathing directly applied or 5-9-9 oc purlins.
 BOT CHORD Rigid ceiling directly applied or 6-6-10 oc bracing.

REACTIONS. (size) 2=0-3-0, 4=0-3-0
 Max Horz 2=-29(LC 13)
 Max Uplift 2=-217(LC 8), 4=-217(LC 9)
 Max Grav 2=563(LC 1), 4=563(LC 1)

FORCES. (lb) - Max. Comp./Max. Ten. - All forces 250 (lb) or less except when shown.
 TOP CHORD 2-3=-910/965, 3-4=-910/965
 BOT CHORD 2-6=-828/799, 4-6=-828/799
 WEBS 3-6=-383/303

- NOTES-**
- Unbalanced roof live loads have been considered for this design.
 - Wind: ASCE 7-10; Vult=130mph (3-second gust) Vasd=103mph; TCDL=6.0psf; BCDL=6.0psf; h=15ft; Cat. II; Exp C; Enclosed; MWFRS (envelope) and C-C Exterior(2) -0-10-8 to 3-6-5, Interior(1) 3-6-5 to 6-5-0, Exterior(2) 6-5-0 to 10-9-13, Interior(1) 10-9-13 to 13-8-8 zone; porch left and right exposed; C-C for members and forces & MWFRS for reactions shown; Lumber DOL=1.60 plate grip DOL=1.60
 - This truss has been designed for a 10.0 psf bottom chord live load nonconcurrent with any other live loads.
 - * This truss has been designed for a live load of 30.0psf on the bottom chord in all areas where a rectangle 3-6-0 tall by 2-0-0 wide will fit between the bottom chord and any other members.
 - Provide mechanical connection (by others) of truss to bearing plate capable of withstanding 217 lb uplift at joint 2 and 217 lb uplift at joint 4.



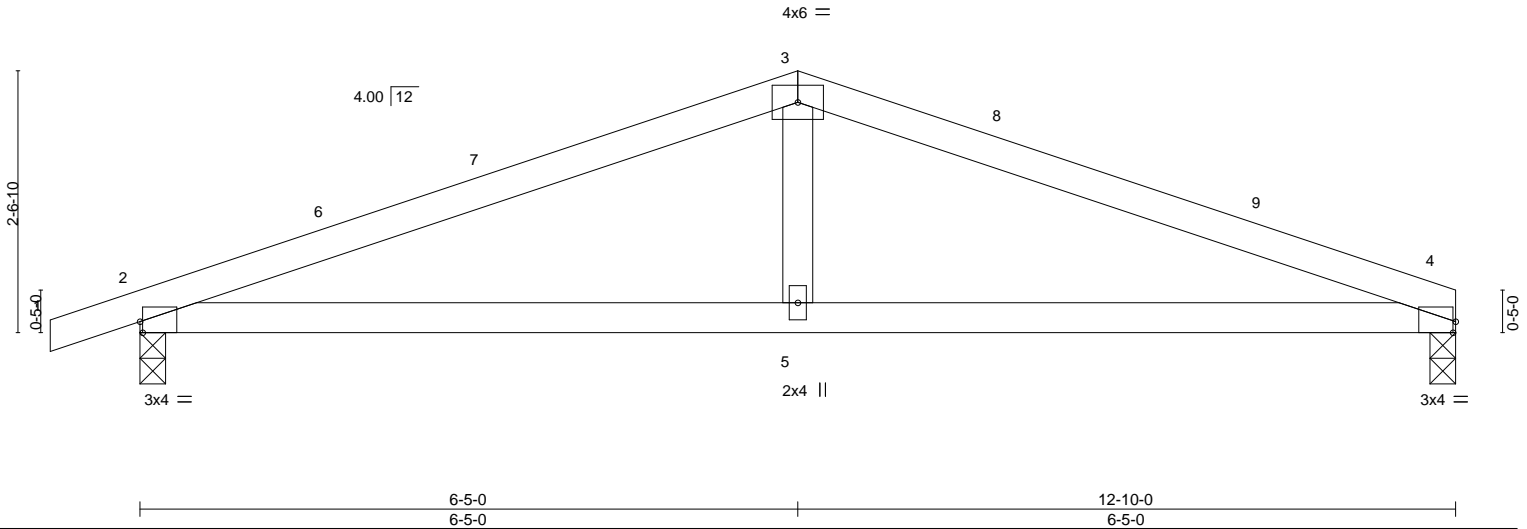
| | | | | | | |
|--------------------|-------------|----------------------|----------|----------|-----------------|-----------|
| Job J01120-5338 | Truss P3 | Truss Type COMMON | Qty 3 | Ply 1 | Lot 2 East Park | E14466357 |
|--------------------|-------------|----------------------|----------|----------|-----------------|-----------|

Comtech, Inc, Fayetteville, NC - 28314,

8.330 s May 6 2020 MiTek Industries, Inc. Tue Jun 2 13:44:50 2020 Page 1
ID:BoL?hgXglYpqwdOiyUmcQyz41fz-bL2kp8WWSUmFtxp09jN5xj4QuFUSk1i5KNOXi6zAltR



Scale = 1:22.5



| | | | | | | | | |
|-----------------------|--------------------------------|-------------|--------------|----------|--------|------|---------------|-------------|
| Plate Offsets (X,Y)-- | [2:0-0-5,Edge], [4:0-0-5,Edge] | | | | | | | |
| LOADING (psf) | SPACING- | CSI. | DEFL. | in (loc) | l/defl | L/d | PLATES | GRIP |
| TCLL 20.0 | 2-0-0 | TC 0.48 | Vert(LL) | 0.11 | 4-5 | >999 | MT20 | 244/190 |
| TCDL 10.0 | Plate Grip DOL 1.15 | BC 0.35 | Vert(CT) | -0.09 | 4-5 | >999 | | |
| BCLL 0.0 * | Lumber DOL 1.15 | WB 0.07 | Horz(CT) | 0.01 | 4 | n/a | | |
| BCDL 10.0 | Rep Stress Incr YES | Matrix-S | | | | | Weight: 44 lb | FT = 20% |
| | Code IRC2015/TPI2014 | | | | | | | |

LUMBER-
TOP CHORD 2x4 SP No.1
BOT CHORD 2x4 SP No.1
WEBS 2x4 SP No.2

BRACING-
TOP CHORD Structural wood sheathing directly applied or 5-7-10 oc purlins.
BOT CHORD Rigid ceiling directly applied or 6-4-14 oc bracing.

REACTIONS. (size) 4=0-3-0, 2=0-3-0
Max Horz 2=32(LC 12)
Max Uplift 4=-179(LC 9), 2=-217(LC 8)
Max Grav 4=501(LC 1), 2=566(LC 1)

FORCES. (lb) - Max. Comp./Max. Ten. - All forces 250 (lb) or less except when shown.
TOP CHORD 2-3=-918/984, 3-4=-916/993
BOT CHORD 2-5=-866/807, 4-5=-866/807
WEBS 3-5=-386/305

- NOTES-**
- 1) Unbalanced roof live loads have been considered for this design.
 - 2) Wind: ASCE 7-10; Vult=130mph (3-second gust) Vasd=103mph; TCDL=6.0psf; BCDL=6.0psf; h=15ft; Cat. II; Exp C; Enclosed; MWFRS (envelope) and C-C Exterior(2) -0-10-8 to 3-6-5, Interior(1) 3-6-5 to 6-5-0, Exterior(2) 6-5-0 to 10-9-13, Interior(1) 10-9-13 to 12-8-8 zone; porch left and right exposed; C-C for members and forces & MWFRS for reactions shown; Lumber DOL=1.60 plate grip DOL=1.60
 - 3) This truss has been designed for a 10.0 psf bottom chord live load nonconcurrent with any other live loads.
 - 4) * This truss has been designed for a live load of 30.0psf on the bottom chord in all areas where a rectangle 3-6-0 tall by 2-0-0 wide will fit between the bottom chord and any other members.
 - 5) Provide mechanical connection (by others) of truss to bearing plate capable of withstanding 179 lb uplift at joint 4 and 217 lb uplift at joint 2.

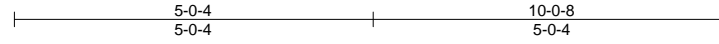


| | | | | | | |
|--------------------|---------------|----------------------|----------|----------|-----------------|-----------|
| Job J01120-5338 | Truss VB-1 | Truss Type VALLEY | Qty 1 | Ply 1 | Lot 2 East Park | E14466358 |
|--------------------|---------------|----------------------|----------|----------|-----------------|-----------|

Comtech, Inc, Fayetteville, NC - 28314,

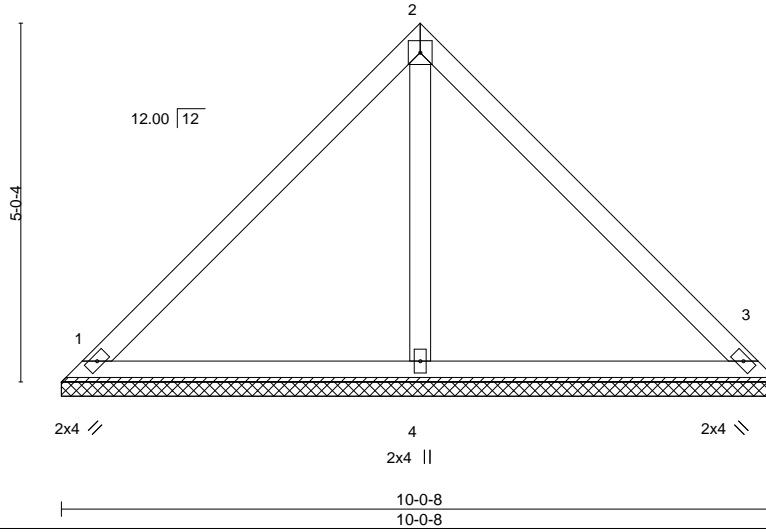
8.330 s May 6 2020 MiTek Industries, Inc. Tue Jun 2 13:44:50 2020 Page 1

ID:BoL?hgXglYpqwdOiyUmcQyz41fz-bl2kp8WWSUmFtxp09jN5xj4UjFXLk1h5KNOXi6zAltR



4x4 =

Scale: 3/8"=1'



| LOADING (psf) | SPACING- | | CSI. | DEFL. | in | (loc) | l/defl | L/d | PLATES | GRIP |
|---------------|----------------------|-------|----------|----------|------|-------|--------|-----|---------------|----------|
| TCLL 20.0 | Plate Grip DOL 1.15 | 2-0-0 | TC 0.24 | Vert(LL) | n/a | - | n/a | 999 | MT20 | 244/190 |
| TCDL 10.0 | Lumber DOL 1.15 | | BC 0.16 | Vert(CT) | n/a | - | n/a | 999 | | |
| BCLL 0.0 * | Rep Stress Incr YES | | WB 0.07 | Horz(CT) | 0.00 | 3 | n/a | n/a | | |
| BCDL 10.0 | Code IRC2015/TPI2014 | | Matrix-S | | | | | | Weight: 41 lb | FT = 20% |

LUMBER-
 TOP CHORD 2x4 SP No.1
 BOT CHORD 2x4 SP No.1
 OTHERS 2x4 SP No.2

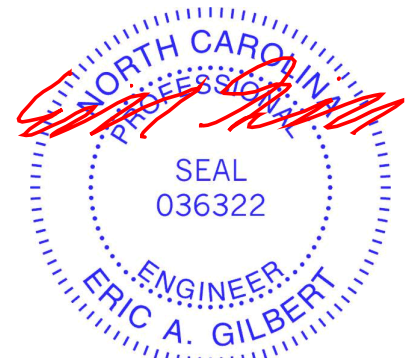
BRACING-
 TOP CHORD Structural wood sheathing directly applied or 6-0-0 oc purlins.
 BOT CHORD Rigid ceiling directly applied or 10-0-0 oc bracing.

REACTIONS. (size) 1=10-0-8, 3=10-0-8, 4=10-0-8
 Max Horz 1=112(LC 9)
 Max Uplift 1=-28(LC 13), 3=-28(LC 13)
 Max Grav 1=212(LC 1), 3=212(LC 1), 4=324(LC 1)

FORCES. (lb) - Max. Comp./Max. Ten. - All forces 250 (lb) or less except when shown.

NOTES-

- Unbalanced roof live loads have been considered for this design.
- Wind: ASCE 7-10; Vult=130mph (3-second gust) Vasd=103mph; TC DL=6.0psf; BCDL=6.0psf; h=15ft; Cat. II; Exp C; Enclosed; MWFRS (envelope) and C-C Exterior(2) zone; C-C for members and forces & MWFRS for reactions shown; Lumber DOL=1.60 plate grip DOL=1.60
- Gable requires continuous bottom chord bearing.
- This truss has been designed for a 10.0 psf bottom chord live load nonconcurrent with any other live loads.
- * This truss has been designed for a live load of 30.0psf on the bottom chord in all areas where a rectangle 3-6-0 tall by 2-0-0 wide will fit between the bottom chord and any other members.
- Provide mechanical connection (by others) of truss to bearing plate capable of withstanding 28 lb uplift at joint 1 and 28 lb uplift at joint 3.



June 2, 2020

WARNING - Verify design parameters and READ NOTES ON THIS AND INCLUDED MITEK REFERENCE PAGE MII-7473 rev. 5/19/2020 BEFORE USE.

Design valid for use only with MiTek® connectors. This design is based only upon parameters shown, and is for an individual building component, not a truss system. Before use, the building designer must verify the applicability of design parameters and properly incorporate this design into the overall building design. Bracing indicated is to prevent buckling of individual truss web and/or chord members only. Additional temporary and permanent bracing is always required for stability and to prevent collapse with possible personal injury and property damage. For general guidance regarding the fabrication, storage, delivery, erection and bracing of trusses and truss systems, see **ANSI/TPI1 Quality Criteria, DSB-89 and BCSI Building Component Safety Information** available from Truss Plate Institute, 2670 Crain Highway, Suite 203 Waldorf, MD 20601

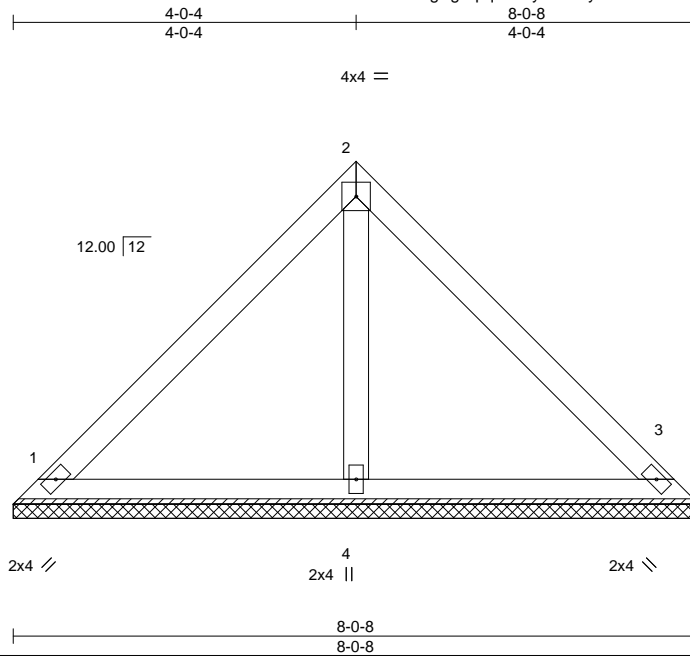


818 Soundside Road
 Edenton, NC 27932

| | | | | | | |
|--------------------|---------------|----------------------|----------|----------|---|-----------|
| Job J01120-5338 | Truss VB-2 | Truss Type VALLEY | Qty 1 | Ply 1 | Lot 2 East Park Job Reference (optional) | E14466359 |
|--------------------|---------------|----------------------|----------|----------|---|-----------|

Comtech, Inc, Fayetteville, NC - 28314,

8.330 s May 6 2020 MiTek Industries, Inc. Tue Jun 2 13:44:51 2020 Page 1
ID:BoL?hgXglYpqwdOiyUmcQyz41fz-4Yc61UX8Dou6U4OCjRuKtXcfbuYTVVEY185EYzAltQ



Scale = 1:27.0

| LOADING (psf) | SPACING- | 2-0-0 | CSI. | DEFL. | in (loc) | l/defl | L/d | PLATES | GRIP | |
|---------------|----------------------|-------|----------|----------|----------|--------|-----|--------|---------------|----------|
| TCLL 20.0 | Plate Grip DOL | 1.15 | TC 0.23 | Vert(LL) | n/a | - | n/a | 999 | MT20 | 244/190 |
| TCDL 10.0 | Lumber DOL | 1.15 | BC 0.10 | Vert(CT) | n/a | - | n/a | 999 | | |
| BCLL 0.0 * | Rep Stress Incr | YES | WB 0.03 | Horz(CT) | 0.00 | 3 | n/a | n/a | | |
| BCDL 10.0 | Code IRC2015/TPI2014 | | Matrix-P | | | | | | Weight: 33 lb | FT = 20% |

LUMBER-
TOP CHORD 2x4 SP No.1
BOT CHORD 2x4 SP No.1
OTHERS 2x4 SP No.2

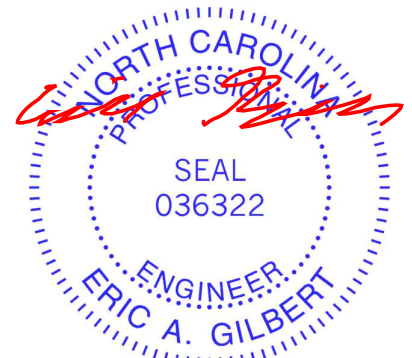
BRACING-
TOP CHORD Structural wood sheathing directly applied or 6-0-0 oc purlins.
BOT CHORD Rigid ceiling directly applied or 10-0-0 oc bracing.

REACTIONS. (size) 1=8-0-8, 3=8-0-8, 4=8-0-8
Max Horz 1=-88(LC 10)
Max Uplift 1=-32(LC 13), 3=-32(LC 13)
Max Grav 1=179(LC 1), 3=179(LC 1), 4=230(LC 1)

FORCES. (lb) - Max. Comp./Max. Ten. - All forces 250 (lb) or less except when shown.

NOTES-

- Unbalanced roof live loads have been considered for this design.
- Wind: ASCE 7-10; Vult=130mph (3-second gust) Vasd=103mph; TC DL=6.0psf; BCDL=6.0psf; h=15ft; Cat. II; Exp C; Enclosed; MWFRS (envelope) and C-C Exterior(2) zone; C-C for members and forces & MWFRS for reactions shown; Lumber DOL=1.60 plate grip DOL=1.60
- Gable requires continuous bottom chord bearing.
- This truss has been designed for a 10.0 psf bottom chord live load nonconcurrent with any other live loads.
- * This truss has been designed for a live load of 30.0psf on the bottom chord in all areas where a rectangle 3-6-0 tall by 2-0-0 wide will fit between the bottom chord and any other members.
- Provide mechanical connection (by others) of truss to bearing plate capable of withstanding 32 lb uplift at joint 1 and 32 lb uplift at joint 3.



June 2, 2020

WARNING - Verify design parameters and READ NOTES ON THIS AND INCLUDED MITEK REFERENCE PAGE MII-7473 rev. 5/19/2020 BEFORE USE.

Design valid for use only with MiTek® connectors. This design is based only upon parameters shown, and is for an individual building component, not a truss system. Before use, the building designer must verify the applicability of design parameters and properly incorporate this design into the overall building design. Bracing indicated is to prevent buckling of individual truss web and/or chord members only. Additional temporary and permanent bracing is always required for stability and to prevent collapse with possible personal injury and property damage. For general guidance regarding the fabrication, storage, delivery, erection and bracing of trusses and truss systems, see **ANSI/TPI1 Quality Criteria, DSB-89 and BCSI Building Component Safety Information** available from Truss Plate Institute, 2670 Crain Highway, Suite 203 Waldorf, MD 20601

ENGINEERING BY
TRENCO
A MiTek Affiliate

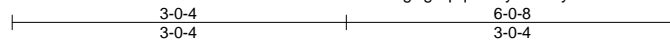
818 Soundside Road
Edenton, NC 27932

| | | | | | | |
|--------------------|---------------|----------------------|----------|----------|---|-----------|
| Job J01120-5338 | Truss VB-3 | Truss Type VALLEY | Qty 1 | Ply 1 | Lot 2 East Park Job Reference (optional) | E14466360 |
|--------------------|---------------|----------------------|----------|----------|---|-----------|

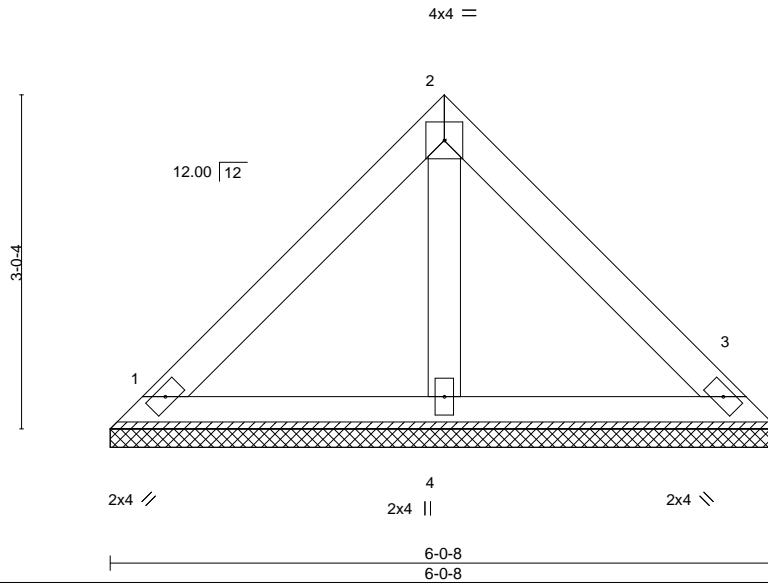
Comtech, Inc, Fayetteville, NC - 28314,

8.330 s May 6 2020 MiTek Industries, Inc. Tue Jun 2 13:44:52 2020 Page 1

ID:BoL?hgXglYpqwdOiyUmcQyz41fz-YkAUEqXm_60z6EzOH8PZ089s43FWCy1Onhitem_zAltP



Scale = 1:20.8



| LOADING (psf) | SPACING- | 2-0-0 | CSI. | DEFL. | in (loc) | l/defl | L/d | PLATES | GRIP |
|---------------|-----------------|-----------------|----------|----------|----------|--------|-----|---------------|----------|
| TCLL 20.0 | Plate Grip DOL | 1.15 | TC 0.12 | Vert(LL) | n/a | - | n/a | MT20 | 244/190 |
| TCDL 10.0 | Lumber DOL | 1.15 | BC 0.05 | Vert(CT) | n/a | - | n/a | | |
| BCLL 0.0 * | Rep Stress Incr | YES | WB 0.02 | Horz(CT) | 0.00 | 3 | n/a | | |
| BCDL 10.0 | Code | IRC2015/TPI2014 | Matrix-P | | | | | Weight: 24 lb | FT = 20% |

LUMBER-

TOP CHORD 2x4 SP No.1
 BOT CHORD 2x4 SP No.1
 OTHERS 2x4 SP No.2

BRACING-

TOP CHORD Structural wood sheathing directly applied or 6-0-0 oc purlins.
 BOT CHORD Rigid ceiling directly applied or 10-0-0 oc bracing.

REACTIONS.

(size) 1=6-0-8, 3=6-0-8, 4=6-0-8
 Max Horz 1=64(LC 9)
 Max Uplift 1=-23(LC 13), 3=-23(LC 13)
 Max Grav 1=130(LC 1), 3=130(LC 1), 4=167(LC 1)

FORCES. (lb) - Max. Comp./Max. Ten. - All forces 250 (lb) or less except when shown.

NOTES-

- Unbalanced roof live loads have been considered for this design.
- Wind: ASCE 7-10; Vult=130mph (3-second gust) Vasd=103mph; TCDL=6.0psf; BCDL=6.0psf; h=15ft; Cat. II; Exp C; Enclosed; MWFRS (envelope) and C-C Exterior(2) zone;C-C for members and forces & MWFRS for reactions shown; Lumber DOL=1.60 plate grip DOL=1.60
- Gable requires continuous bottom chord bearing.
- This truss has been designed for a 10.0 psf bottom chord live load nonconcurrent with any other live loads.
- * This truss has been designed for a live load of 30.0psf on the bottom chord in all areas where a rectangle 3-6-0 tall by 2-0-0 wide will fit between the bottom chord and any other members.
- Provide mechanical connection (by others) of truss to bearing plate capable of withstanding 23 lb uplift at joint 1 and 23 lb uplift at joint 3.



June 2,2020

WARNING - Verify design parameters and READ NOTES ON THIS AND INCLUDED MITEK REFERENCE PAGE MII-7473 rev. 5/19/2020 BEFORE USE.

Design valid for use only with MiTek® connectors. This design is based only upon parameters shown, and is for an individual building component, not a truss system. Before use, the building designer must verify the applicability of design parameters and properly incorporate this design into the overall building design. Bracing indicated is to prevent buckling of individual truss web and/or chord members only. Additional temporary and permanent bracing is always required for stability and to prevent collapse with possible personal injury and property damage. For general guidance regarding the fabrication, storage, delivery, erection and bracing of trusses and truss systems, see **ANSI/TPI1 Quality Criteria, DSB-89 and BCSI Building Component Safety Information** available from Truss Plate Institute, 2670 Crain Highway, Suite 203 Waldorf, MD 20601

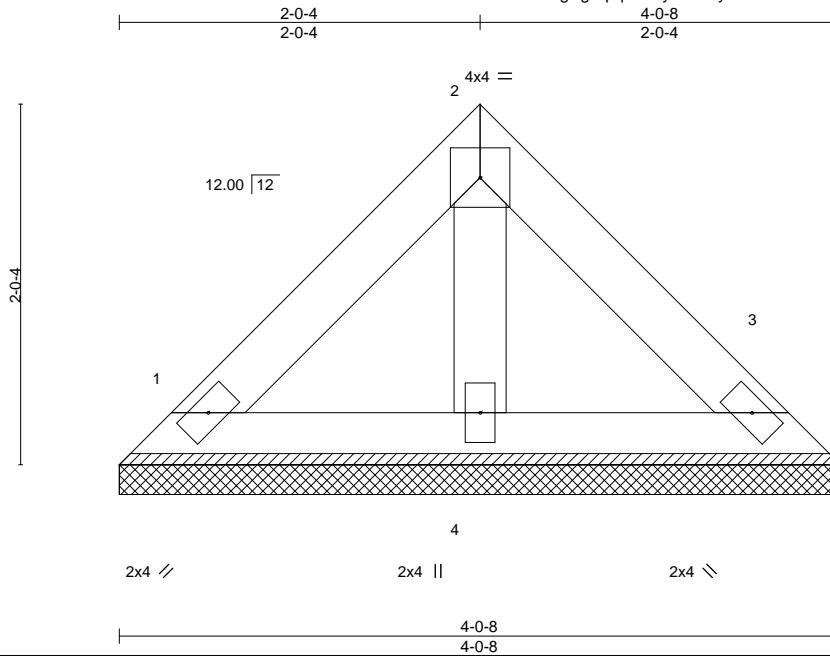


818 Soundside Road
 Edenton, NC 27932

| | | | | | | |
|--------------------|---------------|----------------------|----------|----------|-----------------|-----------|
| Job J01120-5338 | Truss VB-4 | Truss Type VALLEY | Qty 1 | Ply 1 | Lot 2 East Park | E14466361 |
|--------------------|---------------|----------------------|----------|----------|-----------------|-----------|

Comtech, Inc, Fayetteville, NC - 28314,

8.330 s May 6 2020 MiTek Industries, Inc. Tue Jun 2 13:44:53 2020 Page 1
ID:BoL?hgXglYpqqwOiyUmcQyz41fz-0wktSAYOIP8qkOYaqsoYMi2zTbFxPPX0LdBJRzAltO



Scale = 1:12.9

| LOADING (psf) | SPACING- | 2-0-0 | CSI. | DEFL. | in (loc) | l/defl | L/d | PLATES | GRIP | |
|---------------|-----------------|-----------------|----------|----------|----------|--------|-----|--------|---------------|----------|
| TCLL 20.0 | Plate Grip DOL | 1.15 | TC 0.04 | Vert(LL) | n/a | - | n/a | 999 | MT20 | 244/190 |
| TCDL 10.0 | Lumber DOL | 1.15 | BC 0.02 | Vert(CT) | n/a | - | n/a | 999 | | |
| BCLL 0.0 * | Rep Stress Incr | YES | WB 0.01 | Horz(CT) | 0.00 | 3 | n/a | n/a | | |
| BCDL 10.0 | Code | IRC2015/TPI2014 | Matrix-P | | | | | | Weight: 15 lb | FT = 20% |

LUMBER-
TOP CHORD 2x4 SP No.1
BOT CHORD 2x4 SP No.1
OTHERS 2x4 SP No.2

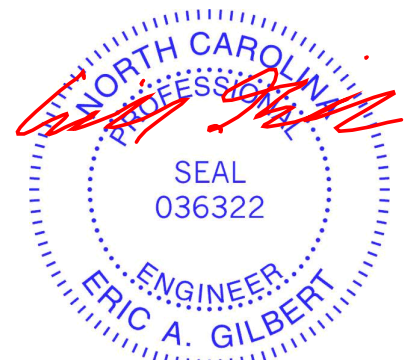
BRACING-
TOP CHORD Structural wood sheathing directly applied or 4-0-8 oc purlins.
BOT CHORD Rigid ceiling directly applied or 10-0-0 oc bracing.

REACTIONS. (size) 1=4-0-8, 3=4-0-8, 4=4-0-8
Max Horz 1=-40(LC 10)
Max Uplift 1=-14(LC 13), 3=-14(LC 13)
Max Grav 1=81(LC 1), 3=81(LC 1), 4=104(LC 1)

FORCES. (lb) - Max. Comp./Max. Ten. - All forces 250 (lb) or less except when shown.

NOTES-

- Unbalanced roof live loads have been considered for this design.
- Wind: ASCE 7-10; Vult=130mph (3-second gust) Vasd=103mph; TC DL=6.0psf; BCDL=6.0psf; h=15ft; Cat. II; Exp C; Enclosed; MWFRS (envelope) and C-C Exterior(2) zone; C-C for members and forces & MWFRS for reactions shown; Lumber DOL=1.60 plate grip DOL=1.60
- Gable requires continuous bottom chord bearing.
- This truss has been designed for a 10.0 psf bottom chord live load nonconcurrent with any other live loads.
- * This truss has been designed for a live load of 30.0psf on the bottom chord in all areas where a rectangle 3-6-0 tall by 2-0-0 wide will fit between the bottom chord and any other members.
- Provide mechanical connection (by others) of truss to bearing plate capable of withstanding 14 lb uplift at joint 1 and 14 lb uplift at joint 3.



June 2, 2020

WARNING - Verify design parameters and READ NOTES ON THIS AND INCLUDED MITEK REFERENCE PAGE MII-7473 rev. 5/19/2020 BEFORE USE.

Design valid for use only with MiTek® connectors. This design is based only upon parameters shown, and is for an individual building component, not a truss system. Before use, the building designer must verify the applicability of design parameters and properly incorporate this design into the overall building design. Bracing indicated is to prevent buckling of individual truss web and/or chord members only. Additional temporary and permanent bracing is always required for stability and to prevent collapse with possible personal injury and property damage. For general guidance regarding the fabrication, storage, delivery, erection and bracing of trusses and truss systems, see **ANSI/TPI1 Quality Criteria, DSB-89 and BCSI Building Component Safety Information** available from Truss Plate Institute, 2670 Crain Highway, Suite 203 Waldorf, MD 20601

ENGINEERING BY
TRENCO
A MiTek Affiliate

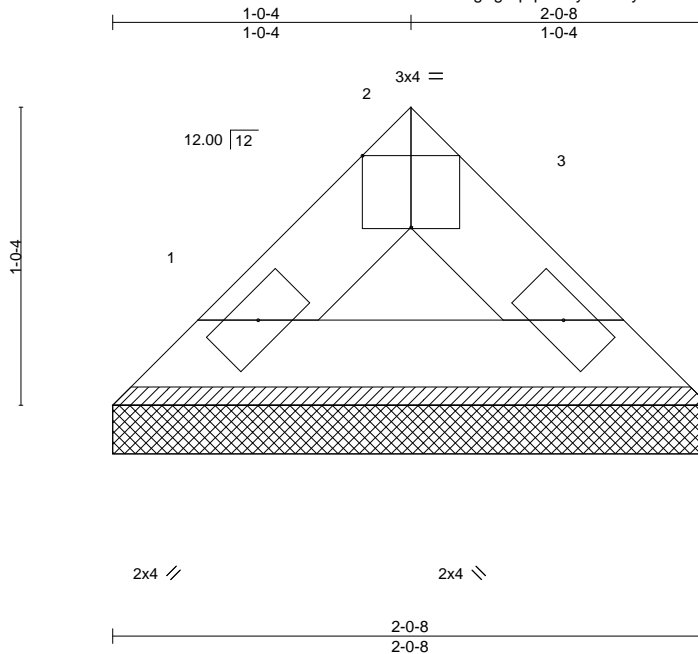
818 Soundside Road
Edenton, NC 27932

| | | | | | | |
|--------------------|---------------|----------------------|----------|----------|---|-----------|
| Job J01120-5338 | Truss VB-5 | Truss Type VALLEY | Qty 1 | Ply 1 | Lot 2 East Park Job Reference (optional) | E14466362 |
|--------------------|---------------|----------------------|----------|----------|---|-----------|

Comtech, Inc, Fayetteville, NC - 28314,

8.330 s May 6 2020 MiTek Industries, Inc. Tue Jun 2 13:44:53 2020 Page 1

ID:BoL?hgXglYpqwdOiyUmcQyz41fz-0wktSAYOIP8qkOYaqsoYMi2WTbMxPWx0LdBJRzAltO



Scale = 1:7.9

| Plate Offsets (X,Y)-- | | [2:0-2:0,Edge] | | | | | | | | |
|-----------------------|-----------------|-----------------|-------------|--------------|------|-------|--------|-----|---------------|-------------|
| LOADING (psf) | SPACING- | 2-0-0 | CSI. | DEFL. | in | (loc) | l/defl | L/d | PLATES | GRIP |
| TCLL 20.0 | Plate Grip DOL | 1.15 | TC 0.01 | Vert(LL) | n/a | - | n/a | 999 | MT20 | 244/190 |
| TCDL 10.0 | Lumber DOL | 1.15 | BC 0.01 | Vert(CT) | n/a | - | n/a | 999 | | |
| BCLL 0.0 * | Rep Stress Incr | YES | WB 0.00 | Horz(CT) | 0.00 | 3 | n/a | n/a | | |
| BCDL 10.0 | Code | IRC2015/TPI2014 | Matrix-P | | | | | | Weight: 6 lb | FT = 20% |

LUMBER-
TOP CHORD 2x4 SP No.1
BOT CHORD 2x4 SP No.1

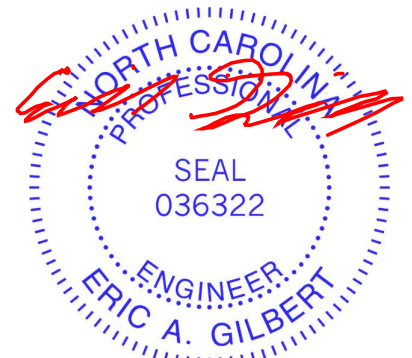
BRACING-
TOP CHORD Structural wood sheathing directly applied or 2-0-8 oc purlins.
BOT CHORD Rigid ceiling directly applied or 10-0-0 oc bracing.

REACTIONS. (size) 1=2-0-8, 3=2-0-8
Max Horz 1=-16(LC 8)
Max Uplift 1=-2(LC 12), 3=-2(LC 12)
Max Grav 1=54(LC 1), 3=54(LC 1)

FORCES. (lb) - Max. Comp./Max. Ten. - All forces 250 (lb) or less except when shown.

NOTES-

- 1) Unbalanced roof live loads have been considered for this design.
- 2) Wind: ASCE 7-10; Vult=130mph (3-second gust) Vasd=103mph; TCDL=6.0psf; BCDL=6.0psf; h=15ft; Cat. II; Exp C; Enclosed; MWFRS (envelope) and C-C Exterior(2) zone;C-C for members and forces & MWFRS for reactions shown; Lumber DOL=1.60 plate grip DOL=1.60
- 3) Gable requires continuous bottom chord bearing.
- 4) This truss has been designed for a 10.0 psf bottom chord live load nonconcurrent with any other live loads.
- 5) * This truss has been designed for a live load of 30.0psf on the bottom chord in all areas where a rectangle 3-6-0 tall by 2-0-0 wide will fit between the bottom chord and any other members.
- 6) Provide mechanical connection (by others) of truss to bearing plate capable of withstanding 2 lb uplift at joint 1 and 2 lb uplift at joint 3.



June 2,2020

WARNING - Verify design parameters and READ NOTES ON THIS AND INCLUDED MITEK REFERENCE PAGE MII-7473 rev. 5/19/2020 BEFORE USE.

Design valid for use only with MiTek® connectors. This design is based only upon parameters shown, and is for an individual building component, not a truss system. Before use, the building designer must verify the applicability of design parameters and properly incorporate this design into the overall building design. Bracing indicated is to prevent buckling of individual truss web and/or chord members only. Additional temporary and permanent bracing is always required for stability and to prevent collapse with possible personal injury and property damage. For general guidance regarding the fabrication, storage, delivery, erection and bracing of trusses and truss systems, see **ANSI/TPI1 Quality Criteria, DSB-89 and BCSI Building Component Safety Information** available from Truss Plate Institute, 2670 Crain Highway, Suite 203 Waldorf, MD 20601



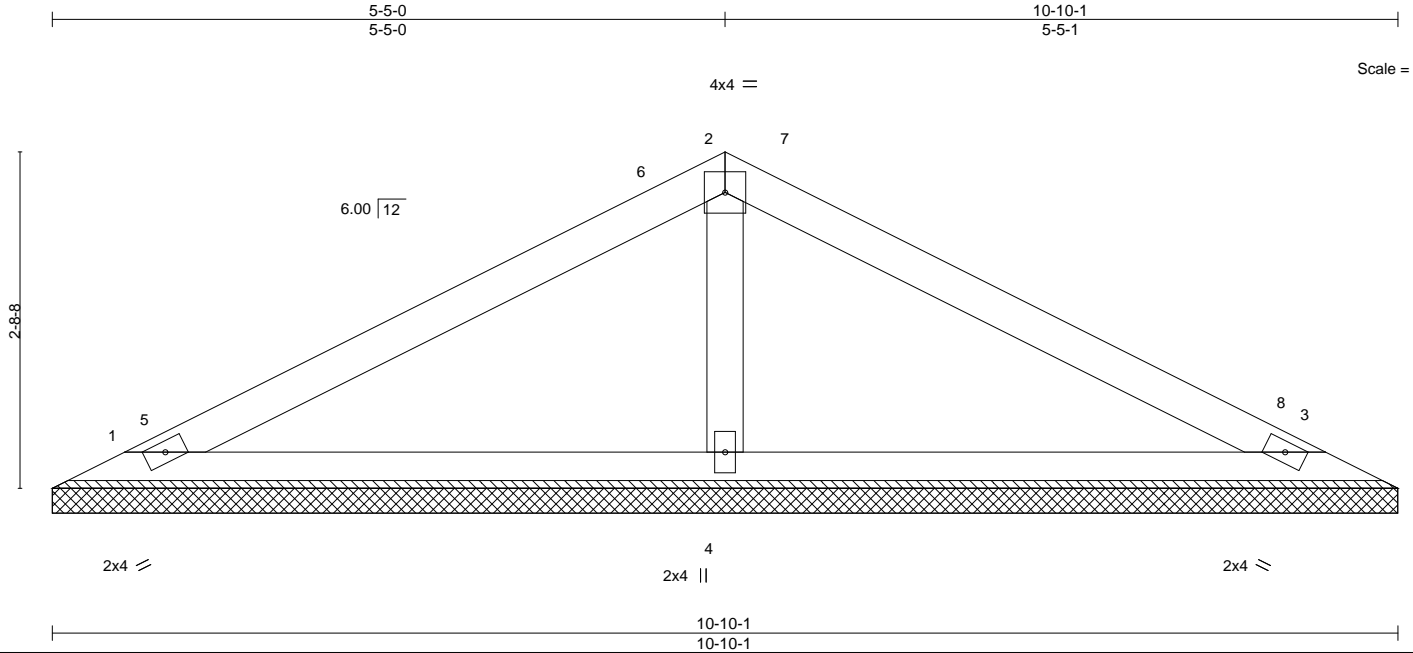
818 Soundside Road
Edenton, NC 27932

| | | | | | | |
|--------------------|---------------|----------------------|----------|----------|-----------------|-----------|
| Job J01120-5338 | Truss VC-1 | Truss Type VALLEY | Qty 1 | Ply 1 | Lot 2 East Park | E14466363 |
|--------------------|---------------|----------------------|----------|----------|-----------------|-----------|

Comtech, Inc, Fayetteville, NC - 28314,

8.330 s May 6 2020 MiTek Industries, Inc. Tue Jun 2 13:44:54 2020 Page 1

ID:BoL?hgXglYpqwdOiyUmcQyz41fz-U7HFfWZ0WjGhMY7nOZS15ZE AesvCfs9hE?MlirtzAltN



| LOADING (psf) | SPACING- | CSI. | DEFL. | in (loc) | l/defl | L/d | PLATES | GRIP |
|---------------|----------------------|----------|----------|----------|--------|-----|---------------|----------|
| TCLL 20.0 | Plate Grip DOL 1.15 | TC 0.24 | Vert(LL) | n/a | - | n/a | MT20 | 244/190 |
| TCDL 10.0 | Lumber DOL 1.15 | BC 0.17 | Vert(CT) | n/a | - | n/a | | |
| BCLL 0.0 * | Rep Stress Incr YES | WB 0.04 | Horz(CT) | 0.00 | 3 | n/a | | |
| BCDL 10.0 | Code IRC2015/TPI2014 | Matrix-S | | | | | Weight: 35 lb | FT = 20% |

LUMBER-
TOP CHORD 2x4 SP No.1
BOT CHORD 2x4 SP No.1
OTHERS 2x4 SP No.2

BRACING-
TOP CHORD Structural wood sheathing directly applied or 6-0-0 oc purlins.
BOT CHORD Rigid ceiling directly applied or 10-0-0 oc bracing.

REACTIONS. (size) 1=10-10-1, 3=10-10-1, 4=10-10-1
Max Horz 1=31(LC 11)
Max Uplift 1=-23(LC 12), 3=-29(LC 13)
Max Grav 1=178(LC 23), 3=178(LC 24), 4=417(LC 1)

FORCES. (lb) - Max. Comp./Max. Ten. - All forces 250 (lb) or less except when shown.
WEBS 2-4=-276/183

- NOTES-**
- Unbalanced roof live loads have been considered for this design.
 - Wind: ASCE 7-10; Vult=130mph (3-second gust) Vasd=103mph; TC DL=6.0psf; BCDL=6.0psf; h=15ft; Cat. II; Exp C; Enclosed; MWFRS (envelope) and C-C Exterior(2) 0-7-7 to 5-0-3, Interior(1) 5-0-3 to 5-5-0, Exterior(2) 5-5-0 to 9-9-13, Interior(1) 9-9-13 to 10-2-10 zone; C-C for members and forces & MWFRS for reactions shown; Lumber DOL=1.60 plate grip DOL=1.60
 - This truss has been designed for a 10.0 psf bottom chord live load nonconcurrent with any other live loads.
 - * This truss has been designed for a live load of 30.0psf on the bottom chord in all areas where a rectangle 3-6-0 tall by 2-0-0 wide will fit between the bottom chord and any other members.
 - Provide mechanical connection (by others) of truss to bearing plate capable of withstanding 23 lb uplift at joint 1 and 29 lb uplift at joint 3.
 - Non Standard bearing condition. Review required.



June 2, 2020

WARNING - Verify design parameters and READ NOTES ON THIS AND INCLUDED MITEK REFERENCE PAGE MII-7473 rev. 5/19/2020 BEFORE USE.

Design valid for use only with MiTek® connectors. This design is based only upon parameters shown, and is for an individual building component, not a truss system. Before use, the building designer must verify the applicability of design parameters and properly incorporate this design into the overall building design. Bracing indicated is to prevent buckling of individual truss web and/or chord members only. Additional temporary and permanent bracing is always required for stability and to prevent collapse with possible personal injury and property damage. For general guidance regarding the fabrication, storage, delivery, erection and bracing of trusses and truss systems, see **ANSI/TPI1 Quality Criteria, DSB-89 and BCSI Building Component Safety Information** available from Truss Plate Institute, 2670 Crain Highway, Suite 203 Waldorf, MD 20601

ENGINEERING BY
TRENCO
A MiTek Affiliate

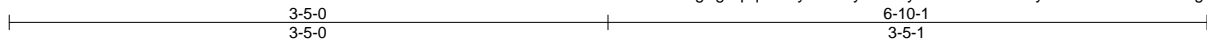
818 Soundside Road
Edenton, NC 27932

| | | | | | | |
|--------------------|---------------|----------------------|----------|----------|-----------------|-----------|
| Job J01120-5338 | Truss VC-2 | Truss Type VALLEY | Qty 1 | Ply 1 | Lot 2 East Park | E14466364 |
|--------------------|---------------|----------------------|----------|----------|-----------------|-----------|

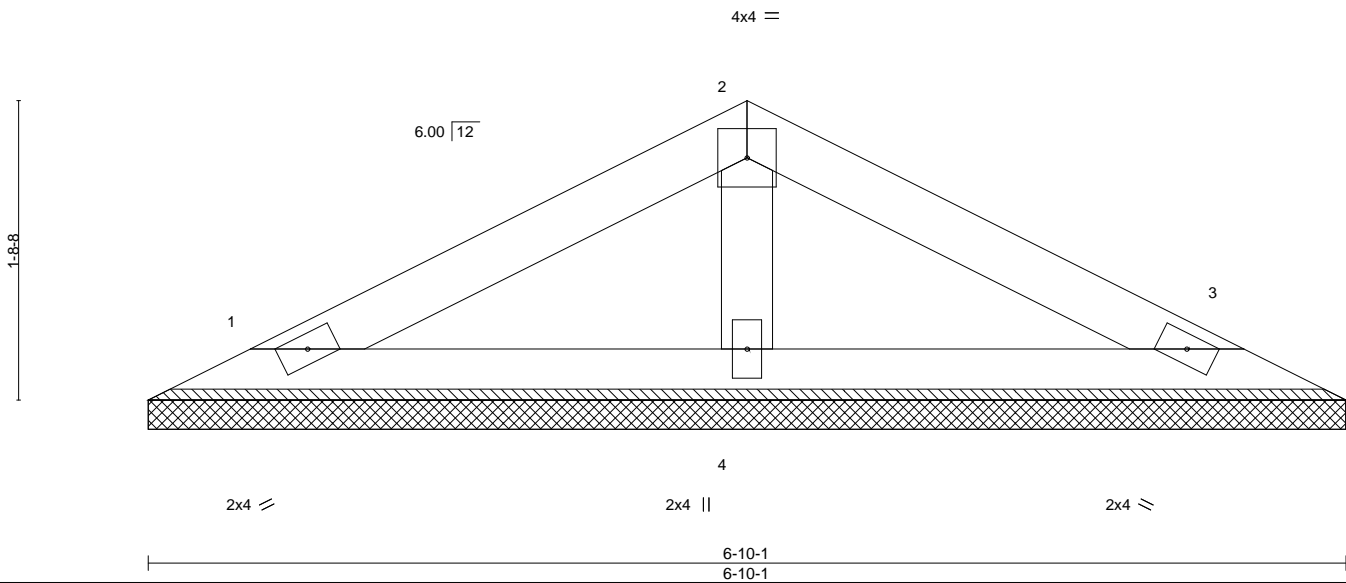
Comtech, Inc, Fayetteville, NC - 28314,

8.330 s May 6 2020 MiTek Industries, Inc. Tue Jun 2 13:44:55 2020 Page 1

ID:BoL?hgXglYpqwdOiyUmcQyz41fz-yJrdtsafH1OYziizyHzGemnNWGG8OJgqTe6INJzAltM



Scale = 1:13.2



| LOADING (psf) | SPACING- | 2-0-0 | CSI. | DEFL. | in (loc) | l/defl | L/d | PLATES | GRIP | |
|---------------|-----------------|-----------------|----------|----------|----------|--------|-----|--------|---------------|----------|
| TCLL 20.0 | Plate Grip DOL | 1.15 | TC 0.10 | Vert(LL) | n/a | - | n/a | 999 | MT20 | 244/190 |
| TCDL 10.0 | Lumber DOL | 1.15 | BC 0.06 | Vert(CT) | n/a | - | n/a | 999 | | |
| BCLL 0.0 * | Rep Stress Incr | YES | WB 0.02 | Horz(CT) | 0.00 | 3 | n/a | n/a | | |
| BCDL 10.0 | Code | IRC2015/TPI2014 | Matrix-P | | | | | | Weight: 21 lb | FT = 20% |

LUMBER-
 TOP CHORD 2x4 SP No.1
 BOT CHORD 2x4 SP No.1
 OTHERS 2x4 SP No.2

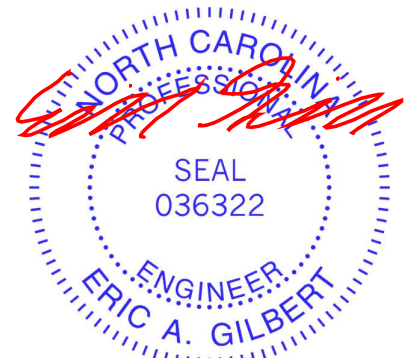
BRACING-
 TOP CHORD Structural wood sheathing directly applied or 6-0-0 oc purlins.
 BOT CHORD Rigid ceiling directly applied or 10-0-0 oc bracing.

REACTIONS. (size) 1=6-10-1, 3=6-10-1, 4=6-10-1
 Max Horz 1=-18(LC 8)
 Max Uplift 1=-18(LC 12), 3=-21(LC 13)
 Max Grav 1=114(LC 1), 3=114(LC 1), 4=220(LC 1)

FORCES. (lb) - Max. Comp./Max. Ten. - All forces 250 (lb) or less except when shown.

NOTES-

- Unbalanced roof live loads have been considered for this design.
- Wind: ASCE 7-10; Vult=130mph (3-second gust) Vasd=103mph; TC DL=6.0psf; BCDL=6.0psf; h=15ft; Cat. II; Exp C; Enclosed; MWFRS (envelope) and C-C Exterior(2) zone;C-C for members and forces & MWFRS for reactions shown; Lumber DOL=1.60 plate grip DOL=1.60
- This truss has been designed for a 10.0 psf bottom chord live load nonconcurrent with any other live loads.
- * This truss has been designed for a live load of 30.0psf on the bottom chord in all areas where a rectangle 3-6-0 tall by 2-0-0 wide will fit between the bottom chord and any other members.
- Provide mechanical connection (by others) of truss to bearing plate capable of withstanding 18 lb uplift at joint 1 and 21 lb uplift at joint 3.
- Non Standard bearing condition. Review required.



June 2,2020

WARNING - Verify design parameters and READ NOTES ON THIS AND INCLUDED MITEK REFERENCE PAGE MII-7473 rev. 5/19/2020 BEFORE USE.

Design valid for use only with MiTek® connectors. This design is based only upon parameters shown, and is for an individual building component, not a truss system. Before use, the building designer must verify the applicability of design parameters and properly incorporate this design into the overall building design. Bracing indicated is to prevent buckling of individual truss web and/or chord members only. Additional temporary and permanent bracing is always required for stability and to prevent collapse with possible personal injury and property damage. For general guidance regarding the fabrication, storage, delivery, erection and bracing of trusses and truss systems, see **ANSI/TPI1 Quality Criteria, DSB-89 and BCSI Building Component Safety Information** available from Truss Plate Institute, 2670 Crain Highway, Suite 203 Waldorf, MD 20601



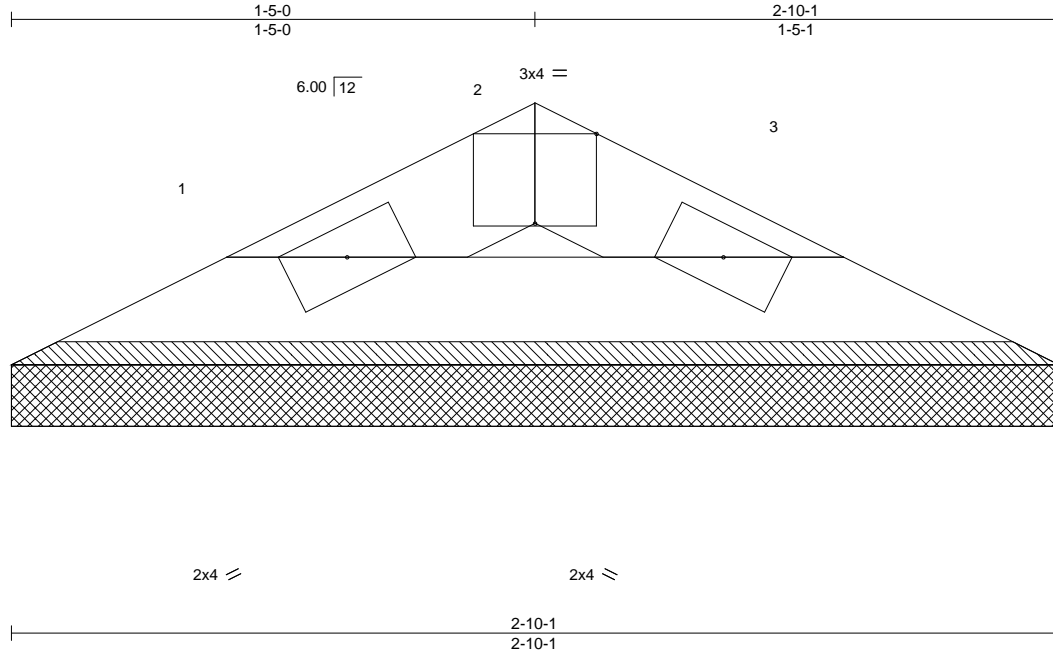
818 Soundside Road
 Edenton, NC 27932

| | | | | | | |
|--------------------|---------------|----------------------|----------|----------|-----------------|-----------|
| Job J01120-5338 | Truss VC-3 | Truss Type VALLEY | Qty 1 | Ply 1 | Lot 2 East Park | E14466365 |
|--------------------|---------------|----------------------|----------|----------|-----------------|-----------|

Comtech, Inc, Fayetteville, NC - 28314,

8.330 s May 6 2020 MiTek Industries, Inc. Tue Jun 2 13:44:56 2020 Page 1

ID:BoL?hgXglYpqwdOiyUmcQyz41fz-QVP?4BaH2KWPbsG9W_UVA_KZhgcy7mF_ilrswmzAltL



Scale = 1:6.2

| LOADING (psf) | SPACING- | CSI. | DEFL. | in (loc) | l/defl | L/d | PLATES | GRIP |
|---------------|----------------------|----------|---------------|----------|--------|-----|--------------|----------|
| TCLL 20.0 | Plate Grip DOL 1.15 | TC 0.01 | Vert(LL) n/a | - | n/a | 999 | MT20 | 244/190 |
| TCDL 10.0 | Lumber DOL 1.15 | BC 0.02 | Vert(CT) n/a | - | n/a | 999 | | |
| BCLL 0.0 * | Rep Stress Incr YES | WB 0.00 | Horz(CT) 0.00 | 3 | n/a | n/a | | |
| BCDL 10.0 | Code IRC2015/TPI2014 | Matrix-P | | | | | Weight: 7 lb | FT = 20% |

LUMBER-
TOP CHORD 2x4 SP No.1
BOT CHORD 2x4 SP No.1

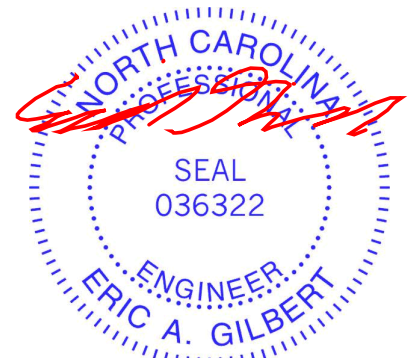
BRACING-
TOP CHORD Structural wood sheathing directly applied or 2-10-1 oc purlins.
BOT CHORD Rigid ceiling directly applied or 10-0-0 oc bracing.

REACTIONS. (size) 1=2-10-1, 3=2-10-1
Max Horz 1=5(LC 8)
Max Uplift 1=4(LC 12), 3=4(LC 13)
Max Grav 1=64(LC 1), 3=64(LC 1)

FORCES. (lb) - Max. Comp./Max. Ten. - All forces 250 (lb) or less except when shown.

NOTES-

- Unbalanced roof live loads have been considered for this design.
- Wind: ASCE 7-10; Vult=130mph (3-second gust) Vasd=103mph; TC DL=6.0psf; BCDL=6.0psf; h=15ft; Cat. II; Exp C; Enclosed; MWFRS (envelope) and C-C Exterior(2) zone;C-C for members and forces & MWFRS for reactions shown; Lumber DOL=1.60 plate grip DOL=1.60
- This truss has been designed for a 10.0 psf bottom chord live load nonconcurrent with any other live loads.
- * This truss has been designed for a live load of 30.0psf on the bottom chord in all areas where a rectangle 3-6-0 tall by 2-0-0 wide will fit between the bottom chord and any other members.
- Provide mechanical connection (by others) of truss to bearing plate capable of withstanding 4 lb uplift at joint 1 and 4 lb uplift at joint 3.
- Non Standard bearing condition. Review required.



June 2,2020

WARNING - Verify design parameters and READ NOTES ON THIS AND INCLUDED MITEK REFERENCE PAGE MII-7473 rev. 5/19/2020 BEFORE USE.

Design valid for use only with MiTek® connectors. This design is based only upon parameters shown, and is for an individual building component, not a truss system. Before use, the building designer must verify the applicability of design parameters and properly incorporate this design into the overall building design. Bracing indicated is to prevent buckling of individual truss web and/or chord members only. Additional temporary and permanent bracing is always required for stability and to prevent collapse with possible personal injury and property damage. For general guidance regarding the fabrication, storage, delivery, erection and bracing of trusses and truss systems, see **ANSI/TPI1 Quality Criteria, DSB-89 and BCSI Building Component Safety Information** available from Truss Plate Institute, 2670 Crain Highway, Suite 203 Waldorf, MD 20601

ENGINEERING BY
TRENCO
A MiTek Affiliate

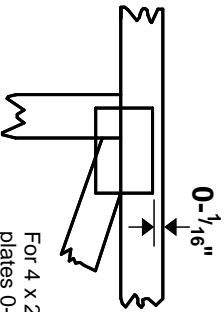
818 Soundside Road
Edenton, NC 27932

Symbols

PLATE LOCATION AND ORIENTATION



Center plate on joint unless x, y offsets are indicated. Dimensions are in ft-in-sixteenths. Apply plates to both sides of truss and fully embed teeth.



For 4 x 2 orientation, locate plates 0- 1/16" from outside edge of truss.



This symbol indicates the required direction of slots in connector plates.

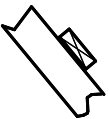
* Plate location details available in **MITek 20/20 software** or upon request.

PLATE SIZE

4 X 4

The first dimension is the plate width measured perpendicular to slots. Second dimension is the length parallel to slots.

LATERAL BRACING LOCATION



Indicated by symbol shown and/or by text in the bracing section of the output. Use T or I bracing if indicated.

BEARING



Indicates location where bearings (supports) occur. Icons vary but reaction section indicates joint number where bearings occur. Min size shown is for crushing only.

Industry Standards:

ANSI/TFP 1: National Design Specification for Metal Plate Connected Wood Truss Construction.
DSB-89: Design Standard for Bracing, Building Component Safety Information, Guide to Good Practice for Handling, Installing & Bracing of Metal Plate Connected Wood Trusses.

Numbering System

6-4-8
dimensions shown in ft-in-sixteenths
(Drawings not to scale)



JOINTS ARE GENERALLY NUMBERED/LETTERED CLOCKWISE AROUND THE TRUSS STARTING AT THE JOINT FARTHEST TO THE LEFT.

CHORDS AND WEBS ARE IDENTIFIED BY END JOINT NUMBERS/LETTERS.

PRODUCT CODE APPROVALS

ICC-ES Reports:

ESR-1311, ESR-1352, ESR1988
ER-3907, ESR-2362, ESR-1397, ESR-3282

Trusses are designed for wind loads in the plane of the truss unless otherwise shown.

Lumber design values are in accordance with ANSI/TFP 1 section 6.3 These truss designs rely on lumber values established by others.

© 2012 MITteK® All Rights Reserved



MITek Engineering Reference Sheet: MII-7473 rev. 5/19/2020



General Safety Notes

Failure to Follow Could Cause Property Damage or Personal Injury

1. Additional stability bracing for truss system, e.g. diagonal or X-bracing, is always required. See BCSI.
2. Truss bracing must be designed by an engineer. For wide truss spacing, individual lateral braces themselves may require bracing, or alternative Tor I bracing should be considered.
3. Never exceed the design loading shown and never stack materials on inadequately braced trusses.
4. Provide copies of this truss design to the building designer, erection supervisor, property owner and all other interested parties.
5. Cut members to bear tightly against each other.
6. Place plates on each face of truss at each joint and embed fully. Knots and wane at joint locations are regulated by ANSI/TFP 1.
7. Design assumes trusses will be suitably protected from the environment in accord with ANSI/TFP 1.
8. Unless otherwise noted, moisture content of lumber shall not exceed 19% at time of fabrication.
9. Unless expressly noted, this design is not applicable for use with fire retardant, preservative treated, or green lumber.
10. Camber is a non-structural consideration and is the responsibility of truss fabricator. General practice is to camber for dead load deflection.
11. Plate type, size, orientation and location dimensions indicated are minimum plating requirements.
12. Lumber used shall be of the species and size, and in all respects, equal to or better than that specified.
13. Top chords must be sheathed or purlins provided at spacing indicated on design.
14. Bottom chords require lateral bracing at 10 ft. spacing, or less, if no ceiling is installed, unless otherwise noted.
15. Connections not shown are the responsibility of others.
16. Do not cut or alter truss member or plate without prior approval of an engineer.
17. Install and load vertically unless indicated otherwise.
18. Use of green or treated lumber may pose unacceptable environmental, health or performance risks. Consult with project engineer before use.
19. Review all portions of this design (front, back, words and pictures) before use. Reviewing pictures alone is not sufficient.
20. Design assumes manufacture in accordance with ANSI/TFP 1 Quality Criteria.
21. The design does not take into account any dynamic or other loads other than those expressly stated.