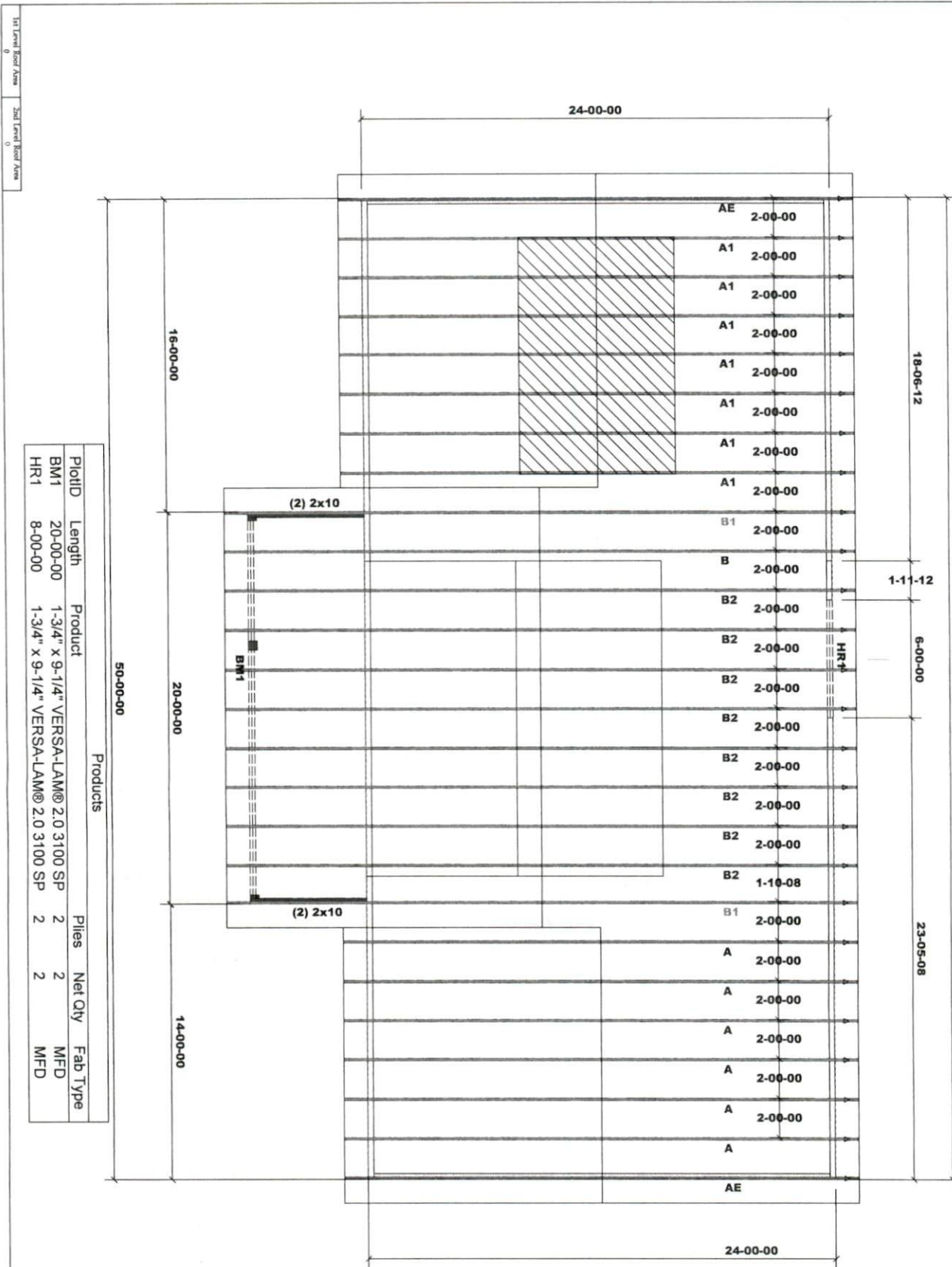


THIS LAYOUT IS INTENDED FOR THE PURPOSE OF TRUSS LOCATION AND PLACEMENT ONLY. REFER TO THE BUILDING PLANS FOR ACTUAL BUILDING CONSTRUCTION.



ProdID	Length	Product	Plies	Net Qty	Fab Type
BM1	20-00-00	1-3/4" x 9-1/4" VERSA-LAM@ 2.0 3100 SP	2	2	MFD
HR1	8-00-00	1-3/4" x 9-1/4" VERSA-LAM@ 2.0 3100 SP	2	2	MFD

GENERAL NOTES

- DO NOT CUT OR MODIFY TRUSSES
- TRUSSES ARE SPACED 24" ON CENTER UNLESS OTHERWISE NOTED
- REFER TO THE INDIVIDUAL TRUSS DESIGN DRAWINGS FOR THE LOCATION OF LATERAL BRACING AND MULTI-PLY CONNECTION REQUIREMENTS.
- PER ANSI TPI 1-2002 THE TRUSS ENGINEER IS RESPONSIBLE FOR TRUSS TO TRUSS CONNECTIONS AND TRUSS PLY TO PLY CONNECTIONS. THIS TRUSS PLACEMENT PLAN RECOMMENDS TRUSS TO BEARING CONNECTIONS AND TRUSS TO BEAM CONNECTIONS WHICH SHALL BE REVIEWED BY THE BUILDING DESIGNER. IT IS THE RESPONSIBILITY OF THE BUILDING DESIGNER TO RESOLVE ALL ROOF FORCES ADEQUATELY TO THE FOUNDATION.

WIND SPEED: 130 mph
 TOP DEAD LOAD: 10.0 DMF
 BOTTOM DEAD LOAD: 10.0 DMF

PROJECT: **JEFFERSON PLAN**

CUSTOMER: **FREEDOM CONSTRUCTION**

MODEL: **JEFFERSON PLAN**

QUOTE #: 2100003 PRINT DATE: 1/4/2021 DRAWN BY: Rodney Evans SCALE: N.T.S.

107 Wilson St, Erwin

DEDICATED TO QUALITY AND EXCELLENCE

84 LUMBER COMPONENTS

200 EMMETT ROAD
 DUNN, NC 28634
 PHONE: 910-892-4400

107 Wilson St
Erwin NC

Trenco
818 Soundside Rd
Edenton, NC 27932

Re: 2100003-2100003A
JEFFERSON PLAN

The truss drawing(s) referenced below have been prepared by Truss Engineering Co. under my direct supervision based on the parameters provided by 84 Components - #2383.

Pages or sheets covered by this seal: I44212864 thru I44212869

My license renewal date for the state of North Carolina is December 31, 2021.

North Carolina COA: C-0844



January 5, 2021

Sevier, Scott

IMPORTANT NOTE: The seal on these truss component designs is a certification that the engineer named is licensed in the jurisdiction(s) identified and that the designs comply with ANSI/TPI 1. These designs are based upon parameters shown (e.g., loads, supports, dimensions, shapes and design codes), which were given to MiTek or TRENCO. Any project specific information included is for MiTek's or TRENCO's customers file reference purpose only, and was not taken into account in the preparation of these designs. MiTek or TRENCO has not independently verified the applicability of the design parameters or the designs for any particular building. Before use, the building designer should verify applicability of design parameters and properly incorporate these designs into the overall building design per ANSI/TPI 1, Chapter 2.

Job 2100003-2100003A	Truss A	Truss Type Common	Qty 6	Ply 1	JEFFERSON PLAN	I44212864
-------------------------	------------	----------------------	----------	----------	----------------	-----------

84 Components (Dunn), Dunn, NC - 28334,

8.430 s Nov 30 2020 MiTek Industries, Inc. Mon Jan 4 15:31:48 2021 Page 1
ID:WOpFo2ZgmSme1w_IPPnhpBzyiq4-tgnz6VtLs116otuEVv_XGk9ckTE6SD4bl72hLzyhmV



Scale = 1:43.9

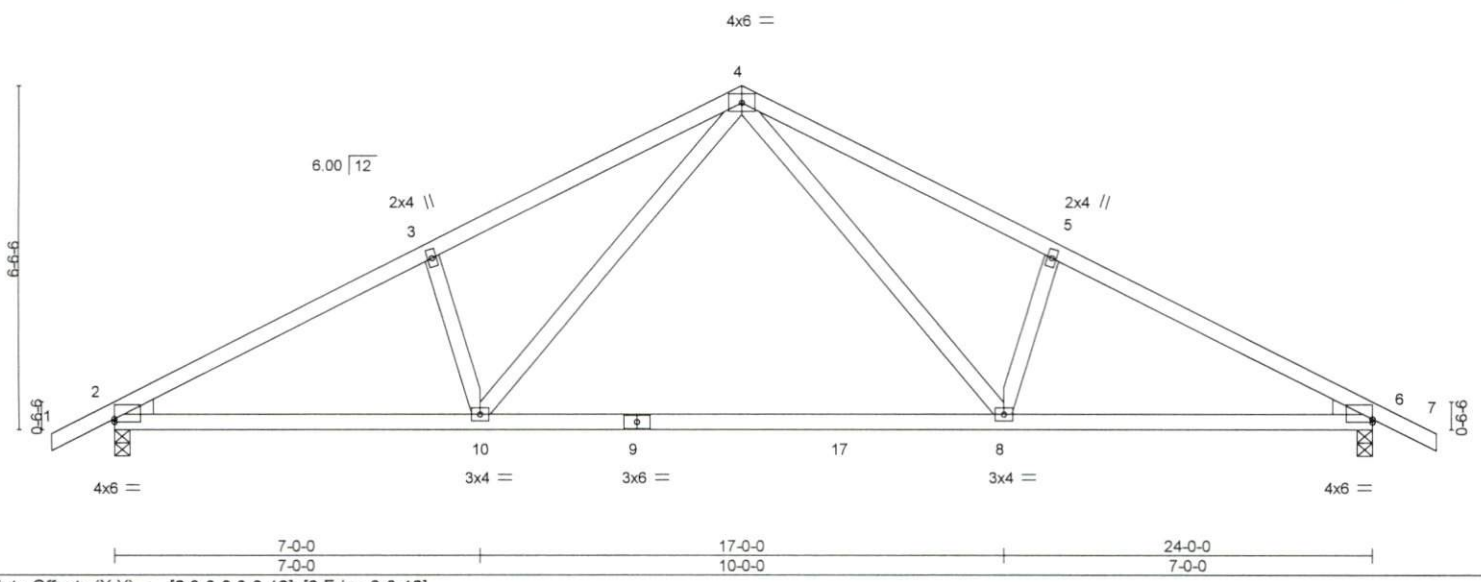


Plate Offsets (X, Y) - [2:0-0-0, 0-0-12], [6: Edge, 0-0-12]

LOADING (psf)	SPACING-	CSI.	DEFL.	PLATES	GRIP
TCLL 20.0	2-0-0	TC 0.50	in (loc) l/def L/d	MT20	197/144
TCDL 10.0	Plate Grip DOL 1.15	BC 0.99	Vert(LL) -0.35 8-10 >819 240		
BCLL 0.0 *	Lumber DOL 1.15	WB 0.27	Vert(CT) -0.63 8-10 >459 180		
BCDL 10.0	Rep Stress Incr YES	Matrix-MS	Horz(CT) 0.05 6 n/a n/a		
	Code IRC2015/TPI2014			Weight: 114 lb	FT = 20%

LUMBER-
 TOP CHORD 2x4 SP No.2 or 2x4 SPF No.2
 BOT CHORD 2x4 SP No.2 or 2x4 SPF No.2
 WEBS 2x4 SP No.3
 WEDGE
 Left: 2x4 SP No.3, Right: 2x4 SP No.3

BRACING-
 TOP CHORD Structural wood sheathing directly applied or 4-0-3 oc purlins.
 BOT CHORD Rigid ceiling directly applied or 2-2-0 oc bracing.

REACTIONS. (size) 2=0-3-8, 6=0-3-8
 Max Horz 2=110(LC 12)
 Max Uplift 2=-138(LC 12), 6=-138(LC 13)
 Max Grav 2=1033(LC 1), 6=1033(LC 1)

FORCES. (lb) - Max. Comp./Max. Ten. - All forces 250 (lb) or less except when shown.
 TOP CHORD 2-3=-1641/391, 3-4=-1540/464, 4-5=-1540/464, 5-6=-1641/391
 BOT CHORD 2-10=-244/1393, 8-10=-86/916, 6-8=-249/1393
 WEBS 4-8=-153/647, 5-8=-337/238, 4-10=-153/650, 3-10=-337/238

- NOTES-**
- Unbalanced roof live loads have been considered for this design.
 - Wind: ASCE 7-10; Vult=130mph Vasd=103mph; TCDL=6.0psf, BCDL=6.0psf, h=30ft; Cat. II; Exp B; Enclosed; MWFRS (envelope) gable end zone and C-C Exterior(2) zone; C-C for members and forces & MWFRS for reactions shown; Lumber DOL=1.60 plate grip DOL=1.60
 - This truss has been designed for a 10.0 psf bottom chord live load nonconcurrent with any other live loads.
 - * This truss has been designed for a live load of 20.0psf on the bottom chord in all areas where a rectangle 3-6-0 tall by 2-0-0 wide will fit between the bottom chord and any other members, with BCDL = 10.0psf.
 - Provide mechanical connection (by others) of truss to bearing plate capable of withstanding 100 lb uplift at joint(s) except (jt=lb) 2=138, 6=138.



WARNING - Verify design parameters and READ NOTES ON THIS AND INCLUDED MITEK REFERENCE PAGE MII-7473 rev. 5/19/2020 BEFORE USE.
 Design valid for use only with MiTek® connectors. This design is based only upon parameters shown, and is for an individual building component, not a truss system. Before use, the building designer must verify the applicability of design parameters and properly incorporate this design into the overall building design. Bracing indicated is to prevent buckling of individual truss web and/or chord members only. Additional temporary and permanent bracing is always required for stability and to prevent collapse with possible personal injury and property damage. For general guidance regarding the fabrication, storage, delivery, erection and bracing of trusses and truss systems, see ANSI/TPI1 Quality Criteria, DSB-89 and BCSI Building Component Safety Information available from Truss Plate Institute, 2670 Crain Highway, Suite 203 Waldorf, MD 20601

ENGINEERING BY
TRENCO
 A MITEK Affiliate
 818 Soundside Road
 Edenton, NC 27932

Job 2100003-2100003A	Truss A1	Truss Type ROOF TRUSS	Qty 7	Ply 1	JEFFERSON PLAN Job Reference (optional)	I44212865
-------------------------	-------------	--------------------------	----------	----------	--	-----------

84 Components (Dunn), Dunn, NC - 28334,

8.430 s Nov 30 2020 MiTek Industries, Inc. Mon Jan 4 15:31:49 2021 Page 1

ID:WOPFo2ZgmSme1w_IPPnhpBzyiq4-LsLMJqtz9A98jxS5nCCQD3THJx8wlruvEpysbDnzyhmu



Scale = 1:45.8

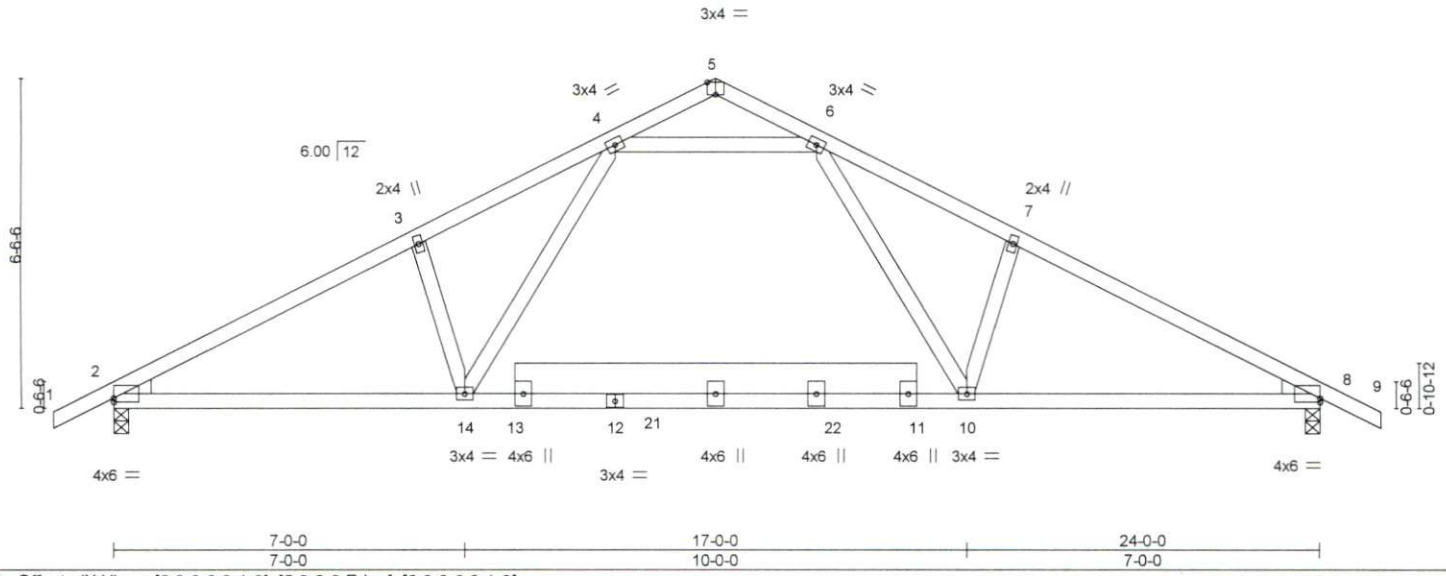


Plate Offsets (X,Y)-- [2:0-0-0,0-1-0], [5:0-2-0,Edge], [8:0-0-0,0-1-0]

LOADING (psf)	SPACING-	CSI.	DEFL.	PLATES	GRIP
TCLL 20.0	2-0-0	TC 0.53	in (loc) l/def L/d	MT20	197/144
TCDL 10.0	Plate Grip DOL 1.15	BC 0.55	Vert(LL) -0.14 14-17 >999 240		
BCLL 0.0 *	Lumber DOL 1.15	WB 0.37	Vert(CT) -0.19 14-17 >999 180		
BCDL 10.0	Rep Stress Incr YES	Matrix-MS	Horz(CT) 0.04 8 n/a n/a		
	Code IRC2015/TPI2014			Weight: 139 lb	FT = 20%

LUMBER-

TOP CHORD 2x4 SP No.2 or 2x4 SPF No.2
 BOT CHORD 2x4 SP No.2 or 2x4 SPF No.2 *Except*
 11-13: 2x8 SP No.2
 WEBS 2x4 SP No.3
 WEDGE
 Left: 2x4 SP No.3 , Right: 2x4 SP No.3

BRACING-

TOP CHORD Structural wood sheathing directly applied or 4-3-5 oc purlins.
 BOT CHORD Rigid ceiling directly applied or 10-0-0 oc bracing.

REACTIONS.

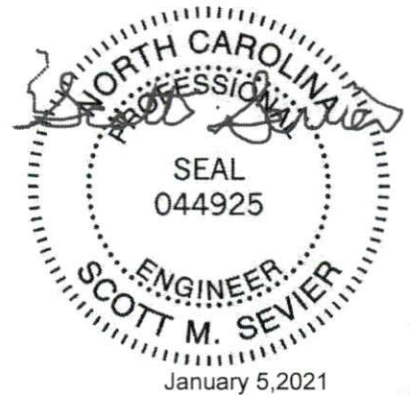
(size) 2=0-3-8, 8=0-3-8
 Max Horz 2=110(LC 12)
 Max Uplift 2=-138(LC 12), 8=-138(LC 13)
 Max Grav 2=1033(LC 1), 8=1033(LC 1)

FORCES. (lb) - Max. Comp./Max. Ten. - All forces 250 (lb) or less except when shown.

TOP CHORD 2-3=-1606/392, 3-4=-1495/448, 6-7=-1495/448, 7-8=-1606/392
 BOT CHORD 2-14=-240/1359, 10-14=-139/1042, 8-10=-246/1359
 WEBS 6-10=-108/554, 7-10=-342/211, 4-14=-107/554, 3-14=-342/211, 4-6=-951/355

NOTES-

- Unbalanced roof live loads have been considered for this design.
- Wind: ASCE 7-10; Vult=130mph Vasd=103mph; TCCL=6.0psf; BCDL=6.0psf; h=30ft; Cat. II; Exp B; Enclosed; MWFRS (envelope) gable end zone and C-C Exterior(2) zone; C-C for members and forces & MWFRS for reactions shown; Lumber DOL=1.60 plate grip DOL=1.60
- This truss has been designed for a 10.0 psf bottom chord live load nonconcurrent with any other live loads.
- * This truss has been designed for a live load of 20.0psf on the bottom chord in all areas where a rectangle 3-6-0 tall by 2-0-0 wide will fit between the bottom chord and any other members, with BCDL = 10.0psf.
- Provide mechanical connection (by others) of truss to bearing plate capable of withstanding 100 lb uplift at joint(s) except (jt=lb) 2=138, 8=138.
- ATTIC SPACE SHOWN IS DESIGNED AS UNINHABITABLE.



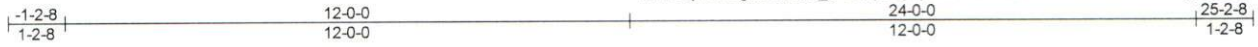
WARNING - Verify design parameters and READ NOTES ON THIS AND INCLUDED MITEK REFERENCE PAGE MII-7473 rev. 5/19/2020 BEFORE USE.
 Design valid for use only with MiTek® connectors. This design is based only upon parameters shown, and is for an individual building component, not a truss system. Before use, the building designer must verify the applicability of design parameters and properly incorporate this design into the overall building design. Bracing indicated is to prevent buckling of individual truss web and/or chord members only. Additional temporary and permanent bracing is always required for stability and to prevent collapse with possible personal injury and property damage. For general guidance regarding the fabrication, storage, delivery, erection and bracing of trusses and truss systems, see ANSITPI1 Quality Criteria, DSB-89 and BCSI Building Component Safety Information available from Truss Plate Institute, 2670 Crain Highway, Suite 203 Waldorf, MD 20601

ENGINEERING BY
TRENCO
 A MiTek Affiliate
 818 Soundside Road
 Edenton, NC 27932

Job 2100003-2100003A	Truss AE	Truss Type Common Supported Gable	Qty 2	Ply 1	JEFFERSON PLAN Job Reference (optional)	144212866
-------------------------	-------------	--------------------------------------	----------	----------	--	-----------

84 Components (Dunn), Dunn, NC - 28334.

8.430 s Nov 30 2020 MiTek Industries, Inc. Mon Jan 4 15:31:51 2021 Page 1
ID: WOpFo2ZgmSme1w_IPPnhpBzyiq4-HFT6kWwEhnPszFcTvdSh8uMILyjbJslVHGHLifzyhms



Scale = 1:48.9

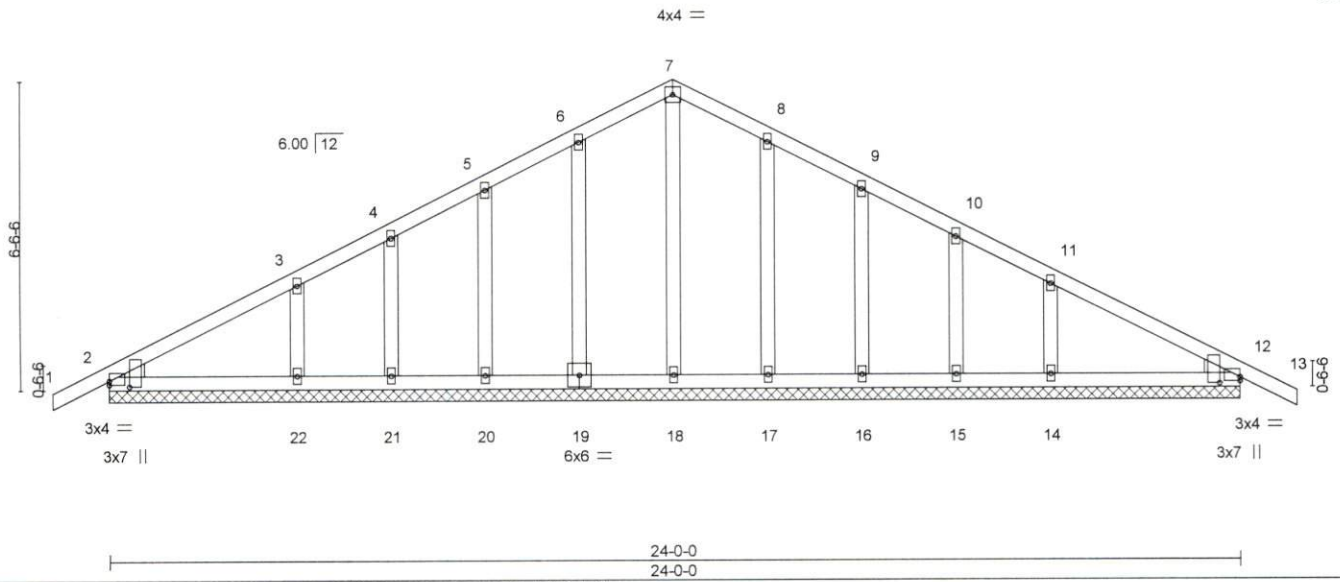


Plate Offsets (X, Y)-- [2:0-0-0,0-1-0], [2:0-1-8,0-5-3], [12:0-0-0,0-1-0], [12:0-1-8,0-5-3]

LOADING (psf)	SPACING-	2-0-0	CSI.	DEFL.	in (loc)	l/defl	L/d	PLATES	GRIP
TCLL 20.0	Plate Grip DOL	1.15	TC 0.15	Vert(LL)	0.00	13	n/r	120	197/144
TCDL 10.0	Lumber DOL	1.15	BC 0.11	Vert(CT)	0.01	13	n/r	90	
BCLL 0.0 *	Rep Stress Incr	YES	WB 0.09	Horz(CT)	0.00	12	n/a	n/a	
BCDL 10.0	Code	IRC2015/TPI2014	Matrix-S						
								Weight: 132 lb	FT = 20%

- LUMBER-**
TOP CHORD 2x4 SP No.2 or 2x4 SPF No.2
BOT CHORD 2x4 SP No.2 or 2x4 SPF No.2
OTHERS 2x4 SP No.3
WEDGE
Left: 2x4 SP No.3 , Right: 2x4 SP No.3
- BRACING-**
TOP CHORD Structural wood sheathing directly applied or 6-0-0 oc purlins.
BOT CHORD Rigid ceiling directly applied or 10-0-0 oc bracing.

- REACTIONS.** All bearings 24-0-0.
(lb) - Max Horz 2=110(LC 13)
Max Uplift All uplift 100 lb or less at joint(s) 2, 19, 20, 21, 22, 17, 16, 15, 14, 12
Max Grav All reactions 250 lb or less at joint(s) 2, 18, 19, 20, 21, 17, 16, 15, 12 except 22=303(LC 23), 14=303(LC 24)

FORCES. (lb) - Max. Comp./Max. Ten. - All forces 250 (lb) or less except when shown.

- NOTES-**
- Unbalanced roof live loads have been considered for this design.
 - Wind: ASCE 7-10; Vult=130mph Vasd=103mph; TCDL=6.0psf; BCDL=6.0psf; h=30ft; Cat. II; Exp B; Enclosed; MWFRS (envelope) gable end zone and C-C Exterior(2) zone; C-C for members and forces & MWFRS for reactions shown; Lumber DOL=1.60 plate grip DOL=1.60
 - Truss designed for wind loads in the plane of the truss only. For studs exposed to wind (normal to the face), see Standard Industry Gable End Details as applicable, or consult qualified building designer as per ANSI/TPI 1.
 - All plates are 2x4 MT20 unless otherwise indicated.
 - Gable requires continuous bottom chord bearing.
 - Gable studs spaced at 2-0-0 oc.
 - This truss has been designed for a 10.0 psf bottom chord live load nonconcurrent with any other live loads.
 - * This truss has been designed for a live load of 20.0psf on the bottom chord in all areas where a rectangle 3-6-0 tall by 2-0-0 wide will fit between the bottom chord and any other members.
 - n/a
 - Beveled plate or shim required to provide full bearing surface with truss chord at joint(s) 12.



WARNING - Verify design parameters and READ NOTES ON THIS AND INCLUDED MITEK REFERENCE PAGE MII-7473 rev. 5/19/2020 BEFORE USE.
Design valid for use only with MiTek® connectors. This design is based only upon parameters shown, and is for an individual building component, not a truss system. Before use, the building designer must verify the applicability of design parameters and properly incorporate this design into the overall building design. Bracing indicated is to prevent buckling of individual truss web and/or chord members only. Additional temporary and permanent bracing is always required for stability and to prevent collapse with possible personal injury and property damage. For general guidance regarding the fabrication, storage, delivery, erection and bracing of trusses and truss systems, see ANSI/TPI1 Quality Criteria, DSB-89 and BCSI Building Component Safety Information available from Truss Plate Institute, 2670 Crain Highway, Suite 203 Waldorf, MD 20601

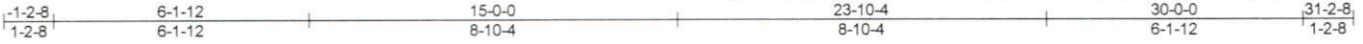
ENGINEERING BY
TRENCO
A MiTek Affiliate
818 Soundside Road
Edenton, NC 27932

Job 2100003-2100003A	Truss B	Truss Type Common	Qty 1	Ply 1	JEFFERSON PLAN Job Reference (optional)	144212867
-------------------------	------------	----------------------	----------	----------	--	-----------

84 Components (Dunn), Dunn, NC - 28334,

8.430 s Nov 30 2020 MiTek Industries, Inc. Mon Jan 4 15:31:52 2021 Page 1

ID:WOPFo2ZgmSme1w_IPPnhpBzyiq4-IR1UxswsS5XjaPBgTKzwh6vj4Lu12EkgVw5Fq6zyhmr



Scale = 1:55.3

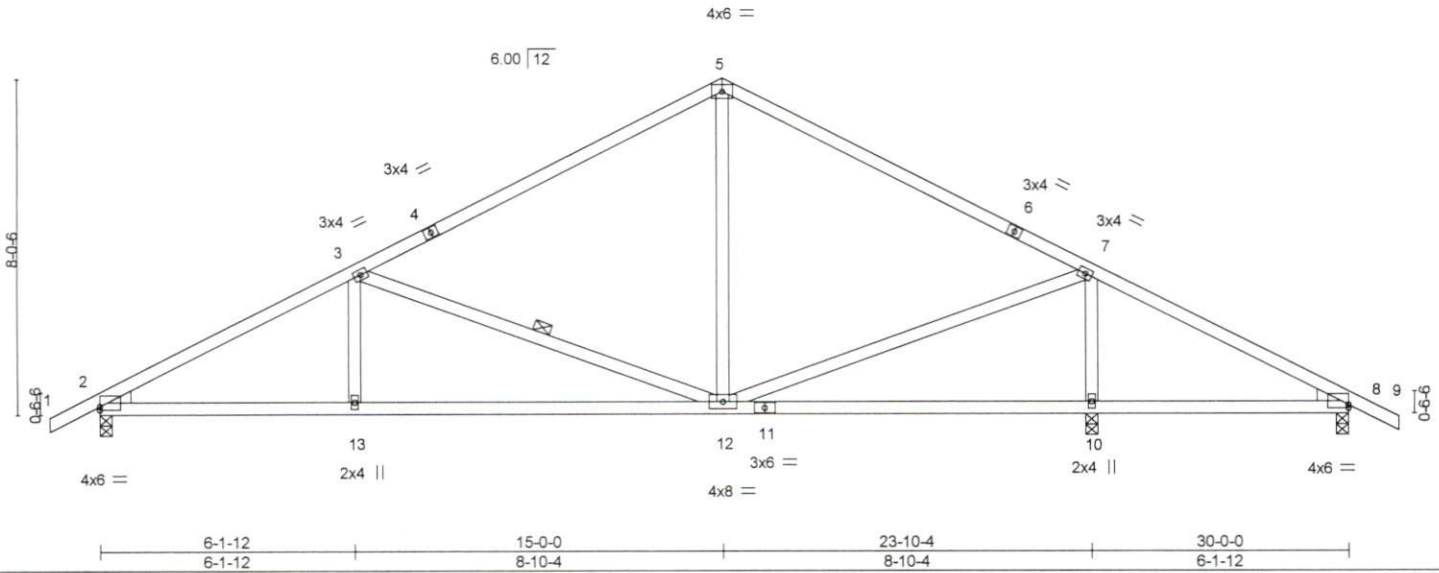


Plate Offsets (X,Y)-- [2:0-0-0,0-1-0], [8:Edge,0-1-0]

LOADING (psf)	SPACING-	2-0-0	CSI.	DEFL.	in (loc)	l/def	L/d	PLATES	GRIP
TCLL 20.0	Plate Grip DOL	1.15	TC 0.99	Vert(LL)	-0.12 12-13	>999	240	MT20	197/144
TCDL 10.0	Lumber DOL	1.15	BC 0.81	Vert(CT)	-0.28 12-13	>999	180		
BCLL 0.0 *	Rep Stress Incr	YES	WB 0.36	Horz(CT)	0.03 10	n/a	n/a		
BCDL 10.0	Code	IRC2015/TPI2014	Matrix-MS					Weight: 148 lb	FT = 20%

LUMBER-
 TOP CHORD 2x4 SP No.1 *Except*
 1-4,6-9: 2x4 SP No.2 or 2x4 SPF No.2
 BOT CHORD 2x4 SP No.2 or 2x4 SPF No.2
 WEBS 2x4 SP No.3
 WEDGE
 Left: 2x4 SP No.3 , Right: 2x4 SP No.3

BRACING-
 TOP CHORD Structural wood sheathing directly applied.
 BOT CHORD Rigid ceiling directly applied or 6-0-0 oc bracing.
 WEBS 1 Row at midpt 3-12

REACTIONS. (size) 2=0-3-8, 10=0-3-8, 8=0-3-8
 Max Horz 2=135(LC 12)
 Max Uplift 2=-150(LC 12), 10=-122(LC 13), 8=-69(LC 13)
 Max Grav 2=1000(LC 1), 10=1332(LC 1), 8=251(LC 24)

FORCES. (lb) - Max. Comp./Max. Ten. - All forces 250 (lb) or less except when shown.
 TOP CHORD 2-3=-1604/394, 3-5=-882/281, 5-7=-885/281
 BOT CHORD 2-13=-253/1372, 12-13=-253/1372
 WEBS 5-12=0/353, 7-12=-57/786, 7-10=-1161/395, 3-12=-764/299, 3-13=0/291

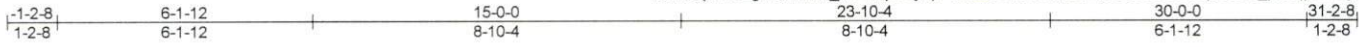
- NOTES-**
- 1) Unbalanced roof live loads have been considered for this design.
 - 2) Wind: ASCE 7-10; Vult=130mph Vasd=103mph; TCCL=6.0psf; BCCL=6.0psf; h=30ft; Cat. II; Exp B; Enclosed; MWFRS (envelope) gable end zone and C-C Exterior(2) zone; C-C for members and forces & MWFRS for reactions shown; Lumber DOL=1.60 plate grip DOL=1.60
 - 3) This truss has been designed for a 10.0 psf bottom chord live load nonconcurrent with any other live loads.
 - 4) * This truss has been designed for a live load of 20.0psf on the bottom chord in all areas where a rectangle 3-6-0 tall by 2-0-0 wide will fit between the bottom chord and any other members.
 - 5) Provide mechanical connection (by others) of truss to bearing plate capable of withstanding 100 lb uplift at joint(s) 8 except (jt=lb) 2=150.
 - 6) One H2.5A Simpson Strong-Tie connectors recommended to connect truss to bearing walls due to UPLIFT at jt(s) 10. This connection is for uplift only and does not consider lateral forces.



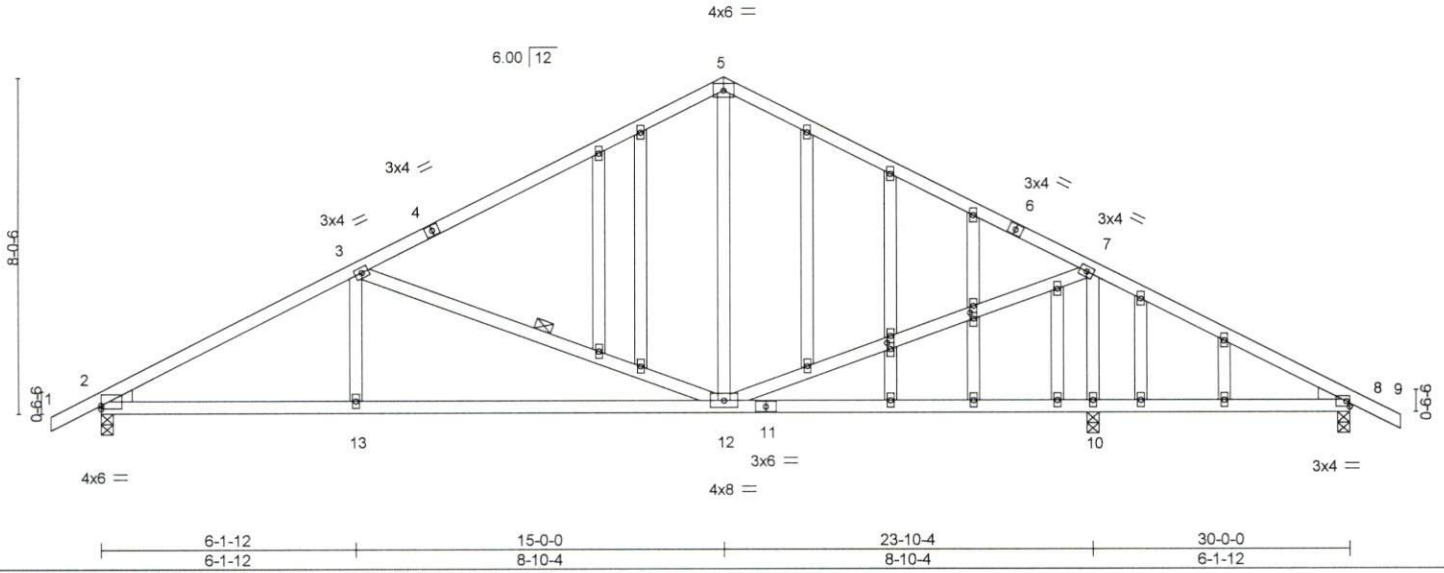
WARNING - Verify design parameters and READ NOTES ON THIS AND INCLUDED MITTEK REFERENCE PAGE MII-7473 rev. 5/19/2020 BEFORE USE.
 Design valid for use only with MiTek® connectors. This design is based only upon parameters shown, and is for an individual building component, not a truss system. Before use, the building designer must verify the applicability of design parameters and properly incorporate this design into the overall building design. Bracing indicated is to prevent buckling of individual truss web and/or chord members only. Additional temporary and permanent bracing is always required for stability and to prevent collapse with possible personal injury and property damage. For general guidance regarding the fabrication, storage, delivery, erection and bracing of trusses and truss systems, see ANSI/TPI1 Quality Criteria, DSB-89 and BCSI Building Component Safety Information available from Truss Plate Institute, 2670 Crain Highway, Suite 203 Waldorf, MD 20601

ENGINEERING BY
TRENCO
 A MiTek Affiliate
 818 Soundside Road
 Edenton, NC 27932

Job 2100003-2100003A	Truss B1	Truss Type GABLE	Qty 2	Ply 1	JEFFERSON PLAN	I44212888
84 Components (Dunn), Dunn, NC - 28334,					8.430 s Nov 30 2020 MiTek Industries, Inc. Mon Jan 4 15:31:53 2021 Page 1	
ID:WOPFo2ZgmSme1w_IPPnhpBzyiq4-Ddas9CwUDOfaCZms02U9DJRuqIDGnh_pkaqpMYzyhmq					Job Reference (optional)	



Scale = 1:55.3



LOADING (psf)	SPACING-	2-0-0	CSI.	DEFL.	in (loc)	l/def	L/d	PLATES	GRIP
TCLL 20.0	Plate Grip DOL	1.15	TC 0.99	Vert(LL)	-0.12 12-13	>999	240	MT20	197/144
TCDL 10.0	Lumber DOL	1.15	BC 0.81	Vert(CT)	-0.28 12-13	>999	180		
BCLL 0.0 *	Rep Stress Incr	YES	WB 0.36	Horz(CT)	0.03 10	n/a	n/a		
BCDL 10.0	Code	IRC2015/TPI2014	Matrix-MS					Weight: 196 lb	FT = 20%

LUMBER-
TOP CHORD 2x4 SP No.1 *Except*
1-4,6-9: 2x4 SP No.2 or 2x4 SPF No.2
BOT CHORD 2x4 SP No.2 or 2x4 SPF No.2
WEBS 2x4 SP No.3
OTHERS 2x4 SP No.3
WEDGE
Left: 2x4 SP No.3 , Right: 2x4 SP No.3

BRACING-
TOP CHORD Structural wood sheathing directly applied.
BOT CHORD Rigid ceiling directly applied or 6-0-0 oc bracing.
WEBS 1 Row at midpt 3-12

REACTIONS. (size) 2=0-3-8, 10=0-3-8, 8=0-3-8
Max Horz 2=135(LC 12)
Max Uplift 2=-150(LC 12), 10=-122(LC 13), 8=-69(LC 13)
Max Grav 2=1000(LC 1), 10=1332(LC 1), 8=251(LC 24)

FORCES. (lb) - Max. Comp./Max. Ten. - All forces 250 (lb) or less except when shown.
TOP CHORD 2-3=-1604/394, 3-5=-882/281, 5-7=-885/281
BOT CHORD 2-13=-253/1372, 12-13=-253/1372
WEBS 5-12=0/353, 7-12=-57/786, 7-10=-1161/395, 3-12=-764/299, 3-13=0/291

- NOTES-**
- Unbalanced roof live loads have been considered for this design.
 - Wind: ASCE 7-10; Vult=130mph Vasd=103mph; TCDFL=6.0psf; BCDFL=6.0psf; h=30ft; Cat. II; Exp B; Enclosed; MWFRS (envelope) gable end zone and C-C Exterior(2) zone; C-C for members and forces & MWFRS for reactions shown; Lumber DOL=1.60 plate grip DOL=1.60
 - Truss designed for wind loads in the plane of the truss only. For studs exposed to wind (normal to the face), see Standard Industry Gable End Details as applicable, or consult qualified building designer as per ANSI/TPI 1.
 - All plates are 2x4 MT20 unless otherwise indicated.
 - Gable studs spaced at 2-0-0 oc.
 - This truss has been designed for a 10.0 psf bottom chord live load nonconcurrent with any other live loads.
 - * This truss has been designed for a live load of 20.0psf on the bottom chord in all areas where a rectangle 3-6-0 tall by 2-0-0 wide will fit between the bottom chord and any other members.
 - One H2.5A Simpson Strong-Tie connectors recommended to connect truss to bearing walls due to UPLIFT at jt(s) 2, 10, and 8. This connection is for uplift only and does not consider lateral forces.



WARNING - Verify design parameters and READ NOTES ON THIS AND INCLUDED MITEK REFERENCE PAGE MII-7473 rev. 5/19/2020 BEFORE USE.
Design valid for use only with MiTek® connectors. This design is based only upon parameters shown, and is for an individual building component, not a truss system. Before use, the building designer must verify the applicability of design parameters and properly incorporate this design into the overall building design. Bracing indicated is to prevent buckling of individual truss web and/or chord members only. Additional temporary and permanent bracing is always required for stability and to prevent collapse with possible personal injury and property damage. For general guidance regarding the fabrication, storage, delivery, erection and bracing of trusses and truss systems, see ANSI/TPI1 Quality Criteria, DSB-89 and BCSI Building Component Safety Information available from Truss Plate Institute, 2670 Crain Highway, Suite 203 Waldorf, MD 20601

ENGINEERING BY
TRENCO
A MiTek Affiliate
818 Soundside Road
Edenton, NC 27932

Job 2100003-2100003A	Truss B2	Truss Type Roof Special	Qty 8	Ply 1	JEFFERSON PLAN	144212869
-------------------------	-------------	----------------------------	----------	----------	----------------	-----------

84 Components (Dunn), Dunn, NC - 28334, 8.430 s Nov 30 2020 MITek Industries, Inc. Mon Jan 4 15:31:54 2021 Page 1
 ID:WOpFo2ZgmSme1w_IPPhpBzYiq4-hp8FMYx6_inRqjL2al?OmX_B29aTW4jzzEaMu_zyhmp

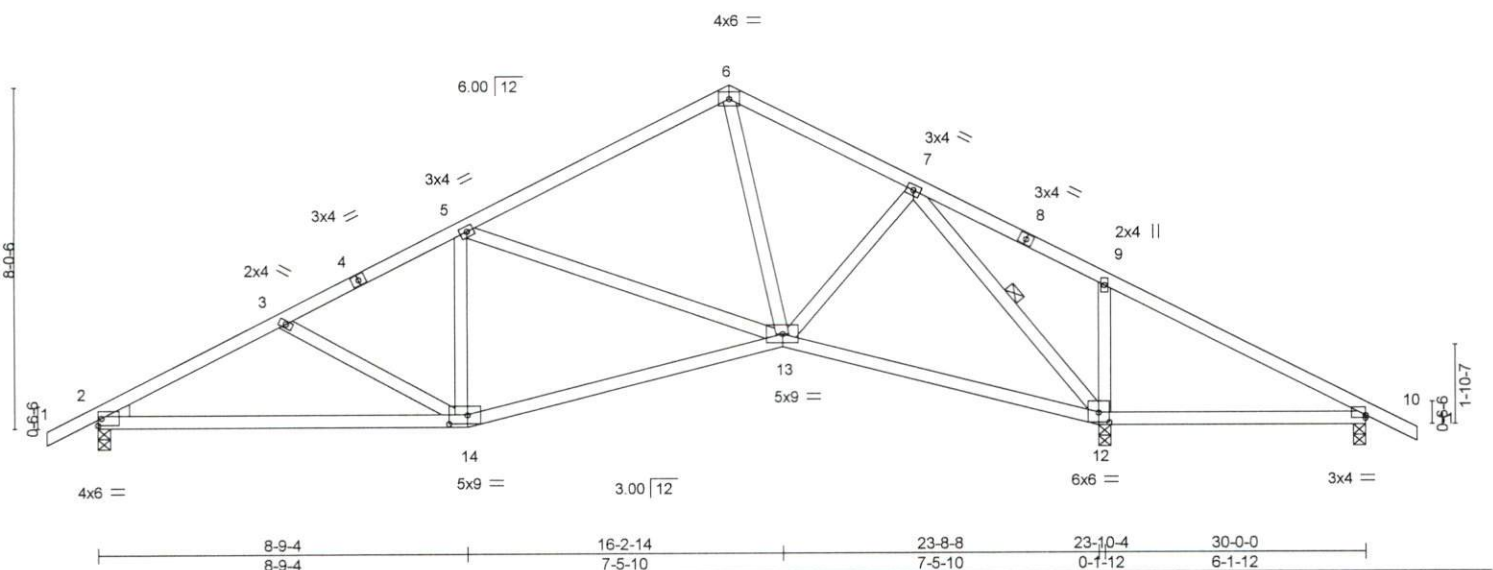
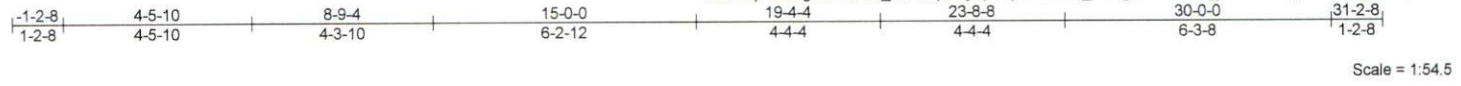


Plate Offsets (X,Y)-- [10:Edge,0-0-12], [12:0-3-0,0-2-12], [14:0-5-4,0-2-8]

LOADING (psf)	SPACING-	CSI.	DEFL.	PLATES	GRIP
TCLL 20.0	2-0-0	TC 0.51	in (loc) l/def L/d	MT20	197/144
TCDL 10.0	Plate Grip DOL 1.15	BC 0.74	Vert(LL) -0.14 14-17 >999 240		
BCLL 0.0 *	Lumber DOL 1.15	WB 0.59	Vert(CT) -0.29 14-17 >977 180		
BCDL 10.0	Rep Stress Incr YES	Matrix-MS	Horz(CT) 0.06 12 n/a n/a		
	Code IRC2015/TPI2014			Weight: 155 lb	FT = 20%

LUMBER-	BRACING-
TOP CHORD 2x4 SP No.2 or 2x4 SPF No.2	TOP CHORD Structural wood sheathing directly applied or 4-6-6 oc purlins.
BOT CHORD 2x4 SP No.2 or 2x4 SPF No.2	BOT CHORD Rigid ceiling directly applied or 10-0-0 oc bracing, Except:
WEBS 2x4 SP No.3	WEBS 1 Row at midpt 7-12
WEDGE	
Left: 2x4 SP No.3	

REACTIONS. (size) 2=0-3-8, 12=0-3-8, 10=0-3-8
 Max Horz 2=135(LC 12)
 Max Uplift 2=-143(LC 12), 12=-111(LC 12), 10=-84(LC 13)
 Max Grav 2=987(LC 1), 12=1362(LC 1), 10=276(LC 24)

FORCES. (lb) - Max. Comp./Max. Ten. - All forces 250 (lb) or less except when shown.
 TOP CHORD 2-3=-1528/405, 3-5=-1296/355, 5-6=-900/258, 6-7=-970/288, 7-9=-37/280, 9-10=-77/271
 BOT CHORD 2-14=-263/1306, 13-14=-169/1174, 12-13=-7/632
 WEBS 5-13=-470/239, 6-13=-76/501, 7-13=-2/383, 7-12=-1250/192, 9-12=-367/233

- NOTES-**
- 1) Unbalanced roof live loads have been considered for this design.
 - 2) Wind: ASCE 7-10; Vult=130mph Vasd=103mph; TCDL=6.0psf; BCDL=6.0psf; h=30ft; Cat. II; Exp B; Enclosed; MWFRS (envelope) gable end zone and C-C Exterior(2) zone; C-C for members and forces & MWFRS for reactions shown; Lumber DOL=1.60 plate grip DOL=1.60
 - 3) This truss has been designed for a 10.0 psf bottom chord live load nonconcurrent with any other live loads.
 - 4) * This truss has been designed for a live load of 20.0psf on the bottom chord in all areas where a rectangle 3-6-0 tall by 2-0-0 wide will fit between the bottom chord and any other members.
 - 5) Provide mechanical connection (by others) of truss to bearing plate capable of withstanding 100 lb uplift at joint(s) 10 except (jt=lb) 2=143.
 - 6) One H2.5A Simpson Strong-Tie connectors recommended to connect truss to bearing walls due to UPLIFT at jt(s) 12. This connection is for uplift only and does not consider lateral forces.



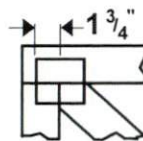
January 5, 2021

WARNING - Verify design parameters and READ NOTES ON THIS AND INCLUDED MITEK REFERENCE PAGE MIL-7473 rev. 5/19/2020 BEFORE USE.
 Design valid for use only with MITek® connectors. This design is based only upon parameters shown, and is for an individual building component, not a truss system. Before use, the building designer must verify the applicability of design parameters and properly incorporate this design into the overall building design. Bracing indicated is to prevent buckling of individual truss web and/or chord members only. Additional temporary and permanent bracing is always required for stability and to prevent collapse with possible personal injury and property damage. For general guidance regarding the fabrication, storage, delivery, erection and bracing of trusses and truss systems, see ANSI/TP1 Quality Criteria, DSB-89 and BCSI Building Component Safety Information available from Truss Plate Institute, 2670 Crain Highway, Suite 203 Waldorf, MD 20601

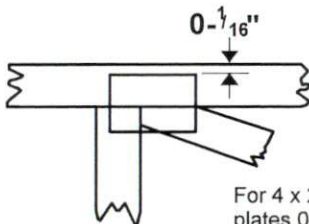
ENGINEERING BY TRENCO
 A MITek Affiliate
 818 Soundside Road
 Edenton, NC 27932

Symbols

PLATE LOCATION AND ORIENTATION



Center plate on joint unless x, y offsets are indicated. Dimensions are in ft-in-sixteenths. Apply plates to both sides of truss and fully embed teeth.



For 4 x 2 orientation, locate plates 0- 1/16" from outside edge of truss.



This symbol indicates the required direction of slots in connector plates.

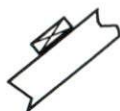
* Plate location details available in MiTek 20/20 software or upon request.

PLATE SIZE

4 x 4

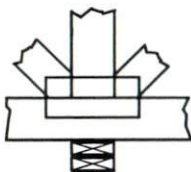
The first dimension is the plate width measured perpendicular to slots. Second dimension is the length parallel to slots.

LATERAL BRACING LOCATION



Indicated by symbol shown and/or by text in the bracing section of the output. Use T or I bracing if indicated.

BEARING

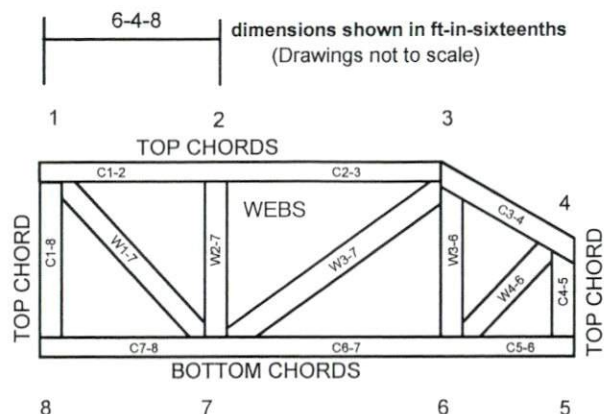


Indicates location where bearings (supports) occur. Icons vary but reaction section indicates joint number where bearings occur. Min size shown is for crushing only.

Industry Standards:

- ANSI/TPI1: National Design Specification for Metal Plate Connected Wood Truss Construction.
- DSB-89: Design Standard for Bracing.
- BCSI: Building Component Safety Information, Guide to Good Practice for Handling, Installing & Bracing of Metal Plate Connected Wood Trusses.

Numbering System



JOINTS ARE GENERALLY NUMBERED/LETTERED CLOCKWISE AROUND THE TRUSS STARTING AT THE JOINT FARTHEST TO THE LEFT.

CHORDS AND WEBS ARE IDENTIFIED BY END JOINT NUMBERS/LETTERS.

PRODUCT CODE APPROVALS

ICC-ES Reports:

ESR-1311, ESR-1352, ESR1988
ER-3907, ESR-2362, ESR-1397, ESR-3282

Trusses are designed for wind loads in the plane of the truss unless otherwise shown.

Lumber design values are in accordance with ANSI/TPI 1 section 6.3 These truss designs rely on lumber values established by others.

© 2012 MiTek® All Rights Reserved



MiTek Engineering Reference Sheet: MII-7473 rev. 5/19/2020



General Safety Notes

Failure to Follow Could Cause Property Damage or Personal Injury

1. Additional stability bracing for truss system, e.g. diagonal or X-bracing, is always required. See BCSI.
2. Truss bracing must be designed by an engineer. For wide truss spacing, individual lateral braces themselves may require bracing, or alternative Tor I bracing should be considered.
3. Never exceed the design loading shown and never stack materials on inadequately braced trusses.
4. Provide copies of this truss design to the building designer, erection supervisor, property owner and all other interested parties.
5. Cut members to bear tightly against each other.
6. Place plates on each face of truss at each joint and embed fully. Knots and wane at joint locations are regulated by ANSI/TPI 1.
7. Design assumes trusses will be suitably protected from the environment in accord with ANSI/TPI 1.
8. Unless otherwise noted, moisture content of lumber shall not exceed 19% at time of fabrication.
9. Unless expressly noted, this design is not applicable for use with fire retardant, preservative treated, or green lumber.
10. Camber is a non-structural consideration and is the responsibility of truss fabricator. General practice is to camber for dead load deflection.
11. Plate type, size, orientation and location dimensions indicated are minimum plating requirements.
12. Lumber used shall be of the species and size, and in all respects, equal to or better than that specified.
13. Top chords must be sheathed or purlins provided at spacing indicated on design.
14. Bottom chords require lateral bracing at 10 ft. spacing, or less, if no ceiling is installed, unless otherwise noted.
15. Connections not shown are the responsibility of others.
16. Do not cut or alter truss member or plate without prior approval of an engineer.
17. Install and load vertically unless indicated otherwise.
18. Use of green or treated lumber may pose unacceptable environmental, health or performance risks. Consult with project engineer before use.
19. Review all portions of this design (front, back, words and pictures) before use. Reviewing pictures alone is not sufficient.
20. Design assumes manufacture in accordance with ANSI/TPI 1 Quality Criteria.
21. The design does not take into account any dynamic or other loads other than those expressly stated.