

RE: J1220-5727
 Weaver / 70 Thomas Farm / Harnett

Trenco
 818 Soundside Rd
 Edenton, NC 27932

Site Information:

Customer: Project Name: J1220-5727
 Lot/Block: Model:
 Address: Subdivision:
 City: State:

General Truss Engineering Criteria & Design Loads (Individual Truss Design Drawings Show Special Loading Conditions):

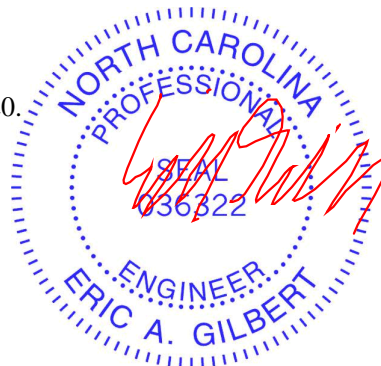
Design Code: IRC2015/TPI2014 Design Program: MiTek 20/20 8.3
 Wind Code: N/A Wind Speed: N/A mph
 Roof Load: N/A psf Floor Load: 55.0 psf

This package includes 12 individual, dated Truss Design Drawings and 0 Additional Drawings.

No.	Seal#	Truss Name	Date
1	E14688955	F1	12/24/2020
2	E14688956	F2	12/24/2020
3	E14688957	F2A	12/24/2020
4	E14688958	F3	12/24/2020
5	E14688959	F4	12/24/2020
6	E14688960	F5	12/24/2020
7	E14688961	F6	12/24/2020
8	E14688962	F6A	12/24/2020
9	E14688963	KW1	12/24/2020
10	E14688964	KW2	12/24/2020
11	E14688965	KW4	12/24/2020
12	E14688966	KW6	12/24/2020

The truss drawing(s) referenced above have been prepared by Truss Engineering Co. under my direct supervision based on the parameters provided by Comtech, Inc - Fayetteville.
 Truss Design Engineer's Name: Gilbert, Eric
 My license renewal date for the state of North Carolina is December 31, 2020.
 North Carolina COA: C-0844

IMPORTANT NOTE: The seal on these truss component designs is a certification that the engineer named is licensed in the jurisdiction(s) identified and that the designs comply with ANSI/TPI 1. These designs are based upon parameters shown (e.g., loads, supports, dimensions, shapes and design codes), which were given to TRENCO. Any project specific information included is for TRENCO customers file reference purpose only, and was not taken into account in the preparation of these designs. TRENCO has not independently verified the applicability of the design parameters or the designs for any particular building. Before use, the building designer should verify applicability of design parameters and properly incorporate these designs into the overall building design per ANSI/TPI 1, Chapter 2.



December 24, 2020

Job	Truss	Truss Type	Qty	Ply	Weaver / 70 Thomas Farm / Harnett	E14688955
J1220-5727	F1	Floor	6	1	Job Reference (optional)	

Comtech, Inc, Fayetteville, NC - 28314,

8.330 s May 6 2020 MiTek Industries, Inc. Fri Jul 31 14:42:53 2020 Page 1
ID:lwPOH6hK8Jeppt6SXqQOJcym6C-OuUKnaUVwqyrut_ljLm3h0QKfAsUF3bCCrD9zDysWPO

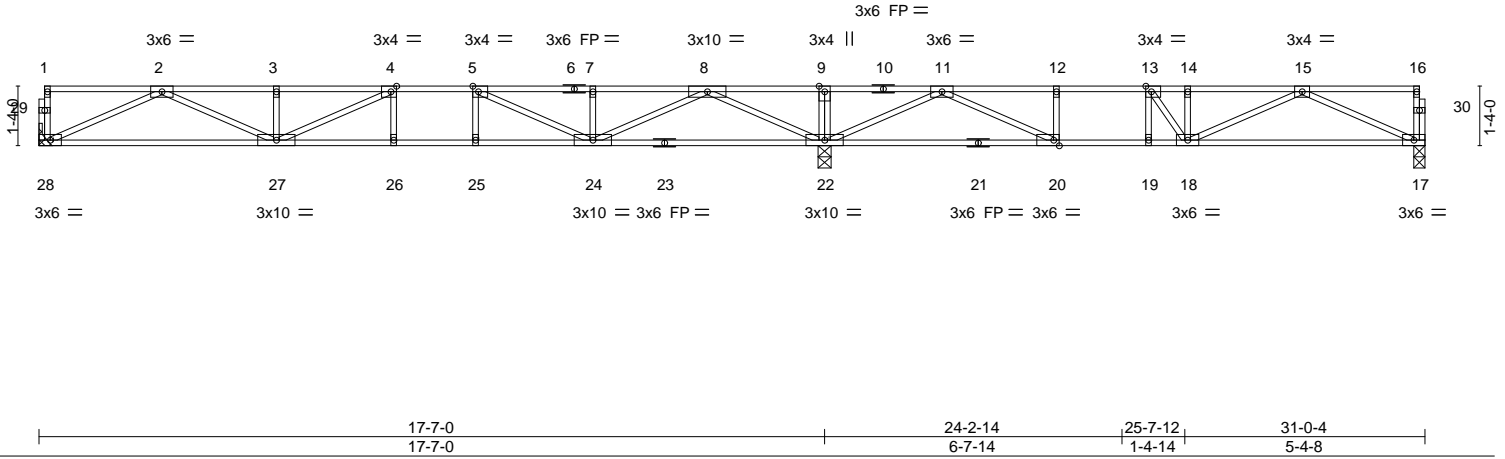


Plate Offsets (X,Y)-- [4:0-1-8,Edge], [5:0-1-8,Edge], [13:0-1-8,Edge], [20:0-1-8,Edge]

LOADING (psf)	SPACING-	CSI.	DEFL.	in (loc)	l/defl	L/d	PLATES	GRIP
TCLL 40.0	Plate Grip DOL 1.00	TC 0.70	Vert(LL) -0.23	26-27	>924	480	MT20	244/190
TCDL 10.0	Lumber DOL 1.00	BC 0.88	Vert(CT) -0.31	26-27	>687	360		
BCLL 0.0	Rep Stress Incr YES	WB 0.74	Horz(CT) 0.05	17	n/a	n/a		
BCDL 5.0	Code IRC2015/TPI2014	Matrix-S						
							Weight: 155 lb	FT = 20%F, 11%E

LUMBER-
 TOP CHORD 2x4 SP No.1(flat)
 BOT CHORD 2x4 SP No.1(flat)
 WEBS 2x4 SP No.3(flat)

BRACING-
 TOP CHORD Structural wood sheathing directly applied or 6-0-0 oc purlins, except end verticals.
 BOT CHORD Rigid ceiling directly applied or 6-0-0 oc bracing.

REACTIONS. (size) 28=Mechanical, 17=0-3-0, 22=0-3-8
 Max Grav 28=857(LC 10), 17=649(LC 4), 22=1975(LC 1)

FORCES. (lb) - Max. Comp./Max. Ten. - All forces 250 (lb) or less except when shown.
 TOP CHORD 2-3=-2551/0, 3-4=-2551/0, 4-5=-2752/0, 5-7=-1952/0, 7-8=-1952/0, 8-9=0/1763,
 9-11=0/1763, 11-12=-1513/236, 12-13=-1513/236, 13-14=-1640/0, 14-15=-1640/0
 BOT CHORD 27-28=0/1593, 26-27=0/2752, 25-26=0/2752, 24-25=0/2752, 22-24=-247/607,
 20-22=-796/633, 19-20=-236/1513, 18-19=-236/1513, 17-18=0/1149
 WEBS 9-22=-294/0, 2-28=-1748/0, 2-27=0/1059, 3-27=-321/0, 4-27=-412/187, 8-22=-2191/0,
 8-24=0/1551, 7-24=-279/10, 5-24=-1064/0, 15-17=-1259/0, 15-18=-57/544,
 14-18=-383/0, 11-22=-1732/0, 11-20=0/1235, 12-20=-392/0, 13-18=0/651, 13-19=-319/0

- NOTES-**
- 1) Unbalanced floor live loads have been considered for this design.
 - 2) All plates are 1.5x3 MT20 unless otherwise indicated.
 - 3) Plates checked for a plus or minus 1 degree rotation about its center.
 - 4) Refer to girder(s) for truss to truss connections.
 - 5) Recommend 2x6 strongbacks, on edge, spaced at 10-0-0 oc and fastened to each truss with 3-10d (0.131" X 3") nails. Strongbacks to be attached to walls at their outer ends or restrained by other means.
 - 6) CAUTION, Do not erect truss backwards.



July 31, 2020

Job	Truss	Truss Type	Qty	Ply	Weaver / 70 Thomas Farm / Harnett	E14688956
J1220-5727	F2	Floor	5	1	Job Reference (optional)	

Comtech, Inc, Fayetteville, NC - 28314,

8.330 s May 6 2020 MiTek Industries, Inc. Fri Jul 31 14:42:55 2020 Page 1
ID:lwPOH6hK8Jeptt6SXqQJcym6C-LGc4CFVISRCZ7B87qmoXmRVihzYej?2Vg9iG26ysWP_

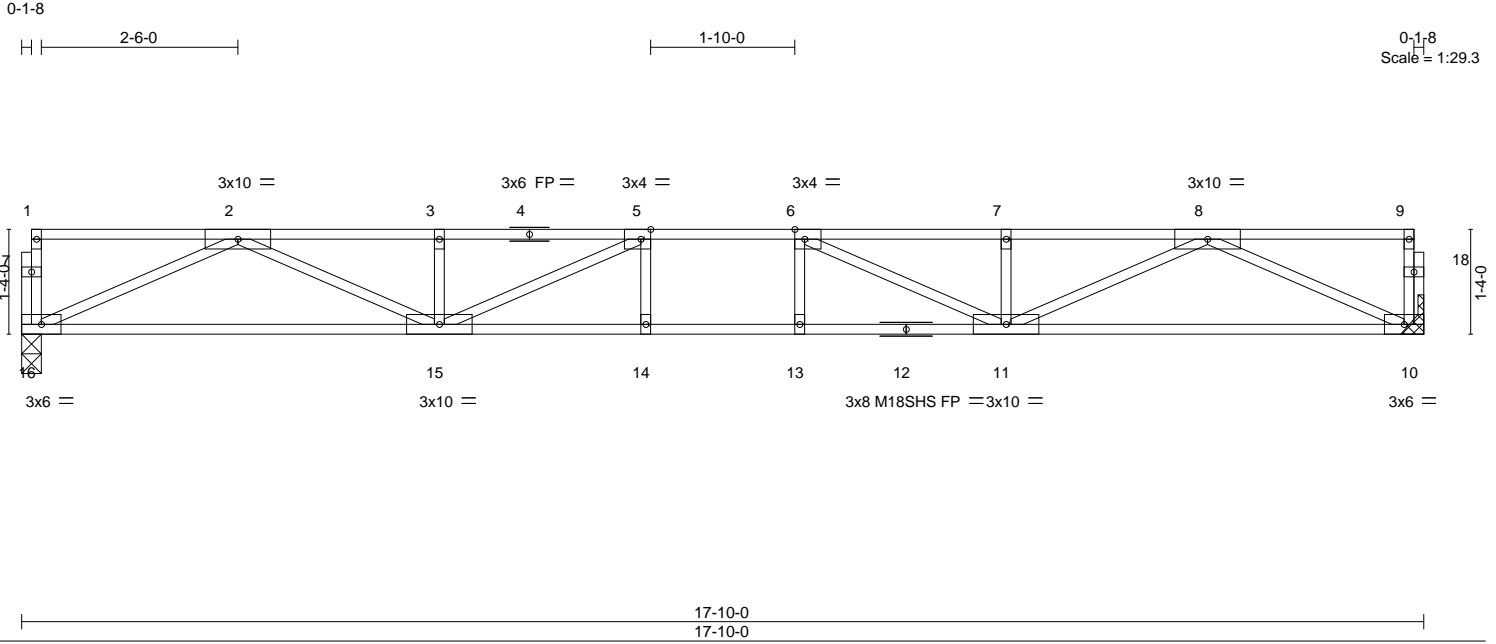


Plate Offsets (X,Y)-- [5:0-1-8,Edge], [6:0-1-8,Edge]

LOADING (psf)	SPACING-	CSI.	DEFL.	in (loc)	l/defl	L/d	PLATES	GRIP
TCLL 40.0	Plate Grip DOL 1.00	TC 0.54	Vert(LL) -0.24	14-15	>875	480	MT20	244/190
TCDL 10.0	Lumber DOL 1.00	BC 0.84	Vert(CT) -0.33	13-14	>649	360	M18SHS	244/190
BCLL 0.0	Rep Stress Incr YES	WB 0.61	Horz(CT) 0.06	10	n/a	n/a		
BCDL 5.0	Code IRC2015/TPI2014	Matrix-S						
							Weight: 89 lb	FT = 20%F, 11%E

LUMBER-
TOP CHORD 2x4 SP No.1(flat)
BOT CHORD 2x4 SP No.1(flat)
WEBS 2x4 SP No.3(flat)

BRACING-
TOP CHORD Structural wood sheathing directly applied or 6-0-0 oc purlins, except end verticals.
BOT CHORD Rigid ceiling directly applied or 10-0-0 oc bracing.

REACTIONS. (size) 16=0-3-0, 10=Mechanical
Max Grav 16=961(LC 1), 10=961(LC 1)

FORCES. (lb) - Max. Comp./Max. Ten. - All forces 250 (lb) or less except when shown.
TOP CHORD 2-3=-2980/0, 3-5=-2980/0, 5-6=-3497/0, 6-7=-2980/0, 7-8=-2980/0
BOT CHORD 15-16=0/1818, 14-15=0/3497, 13-14=0/3497, 11-13=0/3497, 10-11=0/1818
WEBS 2-16=-1995/0, 2-15=0/1285, 3-15=-302/0, 5-15=-833/0, 8-10=-1995/0, 8-11=0/1285, 7-11=-302/0, 6-11=-833/0

- NOTES-**
- Unbalanced floor live loads have been considered for this design.
 - All plates are MT20 plates unless otherwise indicated.
 - All plates are 1.5x3 MT20 unless otherwise indicated.
 - Plates checked for a plus or minus 1 degree rotation about its center.
 - Refer to girder(s) for truss to truss connections.
 - Recommend 2x6 strongbacks, on edge, spaced at 10-0-0 oc and fastened to each truss with 3-10d (0.131" X 3") nails. Strongbacks to be attached to walls at their outer ends or restrained by other means.



July 31, 2020

WARNING - Verify design parameters and READ NOTES ON THIS AND INCLUDED MITEK REFERENCE PAGE MII-7473 rev. 5/19/2020 BEFORE USE.

Design valid for use only with MiTek® connectors. This design is based only upon parameters shown, and is for an individual building component, not a truss system. Before use, the building designer must verify the applicability of design parameters and properly incorporate this design into the overall building design. Bracing indicated is to prevent buckling of individual truss web and/or chord members only. Additional temporary and permanent bracing is always required for stability and to prevent collapse with possible personal injury and property damage. For general guidance regarding the fabrication, storage, delivery, erection and bracing of trusses and truss systems, see **ANSI/TPI1 Quality Criteria, DSB-89 and BCSI Building Component Safety Information** available from Truss Plate Institute, 2670 Crain Highway, Suite 203 Waldorf, MD 20601



818 Soundside Road
Edenton, NC 27932

Job	Truss	Truss Type	Qty	Ply	Weaver / 70 Thomas Farm / Harnett	E14688957
J1220-5727	F2A	Floor Girder	1	1	Job Reference (optional)	

Comtech, Inc., Fayetteville, NC - 28314,

8.330 s May 6 2020 MiTek Industries, Inc. Fri Jul 31 14:42:56 2020 Page 1
ID:IwPOH6hK8Jeptt6SXqQOJcyzm6C-pTASPBWNDILQLJjOTJmJf2zrN1ESWjeupSqZyysWOz

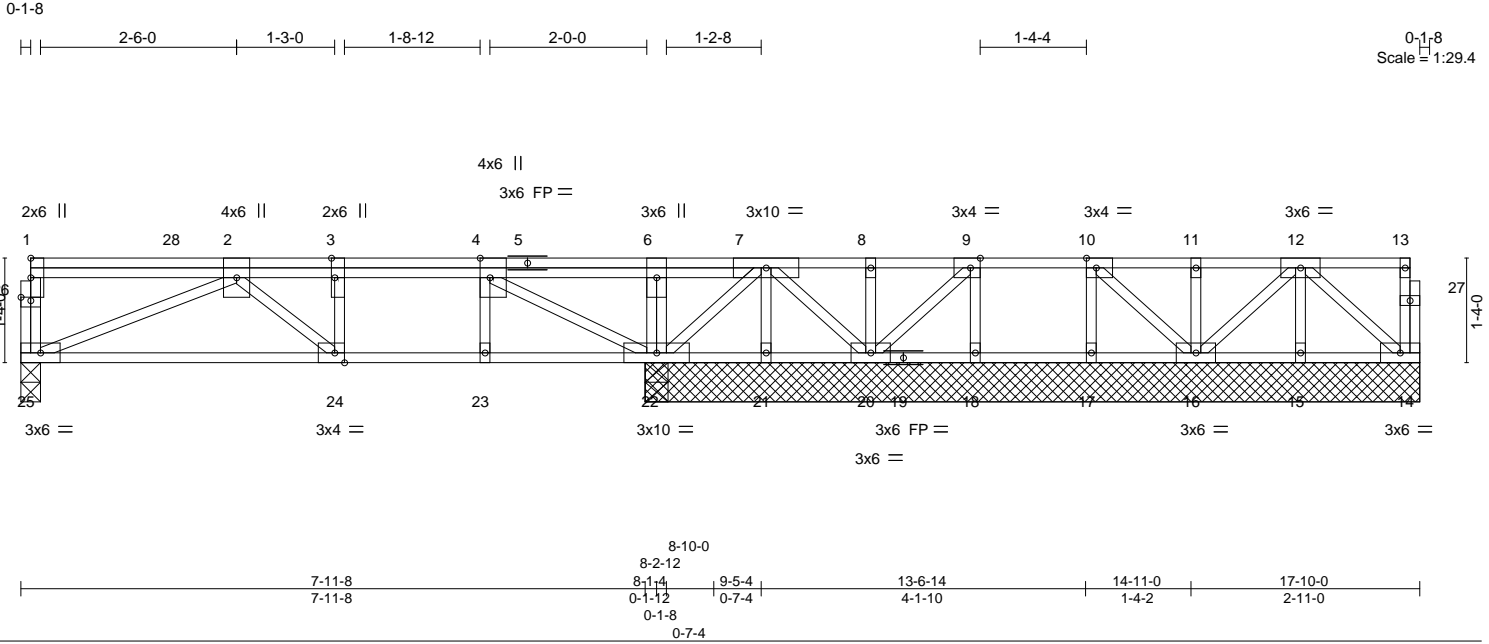


Plate Offsets (X,Y)--	[3:0-3-0,Edge], [4:0-3-0,Edge], [9:0-1-8,Edge], [10:0-1-8,Edge], [24:0-1-8,Edge], [26:0-1-8,0-0-8]				
LOADING (psf)	SPACING- 2-0-0	CSI.	DEFL. in (loc) l/defl L/d	PLATES	GRIP
TCLL 40.0	Plate Grip DOL 1.00	TC 0.19	Vert(LL) -0.04 24-25 >999 480	MT20	244/190
TCDL 10.0	Lumber DOL 1.00	BC 0.30	Vert(CT) -0.06 24-25 >999 360		
BCLL 0.0	Rep Stress Incr NO	WB 0.33	Horz(CT) 0.01 22 n/a n/a		
BCDL 5.0	Code IRC2015/TPI2014	Matrix-S			
				Weight: 112 lb	FT = 20%F, 11%E

LUMBER-	BRACING-
TOP CHORD 2x4 SP No.1(flat)	TOP CHORD Structural wood sheathing directly applied or 6-0-0 oc purlins, except end verticals.
BOT CHORD 2x4 SP No.1(flat)	BOT CHORD Rigid ceiling directly applied or 6-0-0 oc bracing.
WEBS 2x4 SP No.3(flat)	

REACTIONS. All bearings 9-10-8 except (jt=length) 25=0-3-0.
 (lb) - Max Uplift All uplift 100 lb or less at joint(s) 21
 Max Grav All reactions 250 lb or less at joint(s) 14, 21, 20, 18, 15, 16, 17 except 22=898(LC 1), 22=898(LC 1), 25=553(LC 7)

FORCES. (lb) - Max. Comp./Max. Ten. - All forces 250 (lb) or less except when shown.
 TOP CHORD 2-3=-945/0, 3-4=-945/0, 4-6=0/251
 BOT CHORD 24-25=0/945, 23-24=0/945, 22-23=0/945
 WEBS 2-25=-1024/0, 4-22=-1304/0

- NOTES-**
- Unbalanced floor live loads have been considered for this design.
 - All plates are 1.5x3 MT20 unless otherwise indicated.
 - Plates checked for a plus or minus 1 degree rotation about its center.
 - Provide mechanical connection (by others) of truss to bearing plate capable of withstanding 100 lb uplift at joint(s) 21.
 - Recommend 2x6 strongbacks, on edge, spaced at 10-0-0 oc and fastened to each truss with 3-10d (0.131" X 3") nails. Strongbacks to be attached to walls at their outer ends or restrained by other means.
 - CAUTION, Do not erect truss backwards.
 - Hanger(s) or other connection device(s) shall be provided sufficient to support concentrated load(s) 153 lb down at 1-11-12, and 153 lb down at 3-11-12, and 309 lb down at 5-11-12 on top chord. The design/selection of such connection device(s) is the responsibility of others.
 - In the LOAD CASE(S) section, loads applied to the face of the truss are noted as front (F) or back (B).

LOAD CASE(S) Standard
1) Dead + Floor Live (balanced): Lumber Increase=1.00, Plate Increase=1.00
Uniform Loads (plf)
Vert: 14-25=-10, 1-13=-100
Concentrated Loads (lb)
Vert: 4=-229(F) 3=-73(F) 28=-73(F)



July 31, 2020

WARNING - Verify design parameters and READ NOTES ON THIS AND INCLUDED MITEK REFERENCE PAGE MII-7473 rev. 5/19/2020 BEFORE USE.
 Design valid for use only with MiTek® connectors. This design is based only upon parameters shown, and is for an individual building component, not a truss system. Before use, the building designer must verify the applicability of design parameters and properly incorporate this design into the overall building design. Bracing indicated is to prevent buckling of individual truss web and/or chord members only. Additional temporary and permanent bracing is always required for stability and to prevent collapse with possible personal injury and property damage. For general guidance regarding the fabrication, storage, delivery, erection and bracing of trusses and truss systems, see **ANSI/TPI1 Quality Criteria, DSB-89 and BCSI Building Component Safety Information** available from Truss Plate Institute, 2670 Crain Highway, Suite 203 Waldorf, MD 20601

ENGINEERING BY
TRENCO
 A MiTek Affiliate

818 Soundside Road
 Edenton, NC 27932

Job	Truss	Truss Type	Qty	Ply	Weaver / 70 Thomas Farm / Harnett	E14688958
J1220-5727	F3	Floor	2	1	Job Reference (optional)	

Comtech, Inc., Fayetteville, NC - 28314,

8.330 s May 6 2020 MiTek Industries, Inc. Fri Jul 31 14:42:57 2020 Page 1
ID:lwPOH6hK8JepTT6SXqQJcym6C-HfkrCX?z2THNUIWyBq?rsb4RnH_Bxso7TBN5_ysWOy

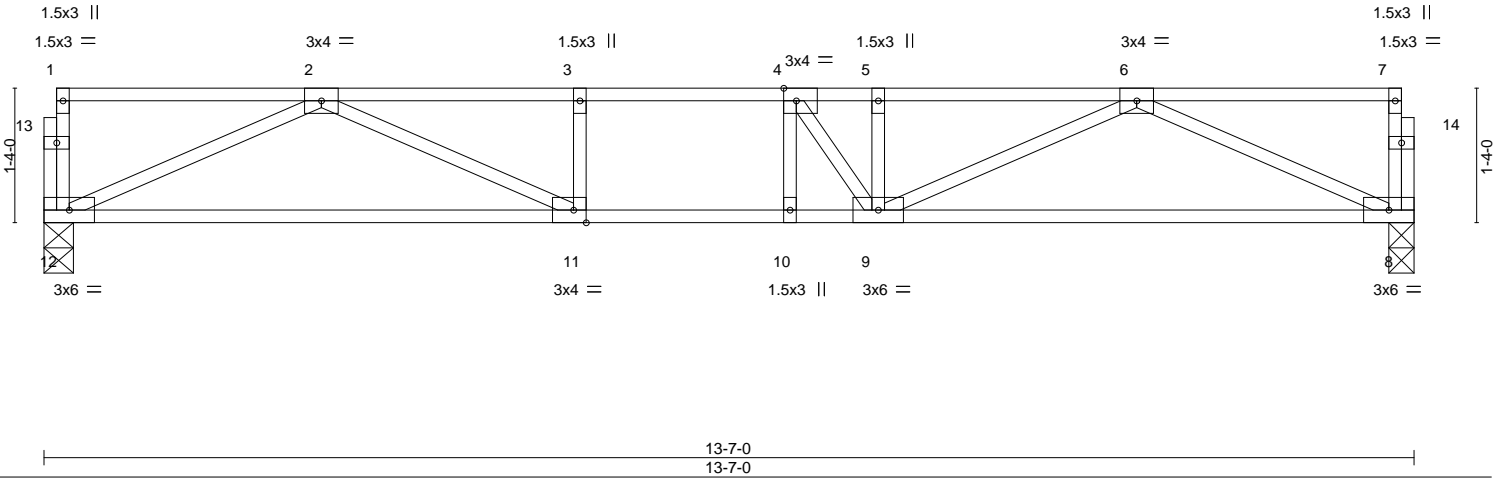
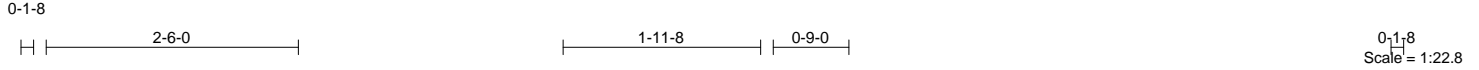


Plate Offsets (X,Y)-- [4:0-1-8,Edge], [11:0-1-8,Edge]

LOADING (psf)	SPACING-	2-0-0	CSI.	DEFL.	in (loc)	l/defl	L/d	PLATES	GRIP
TCLL 40.0	Plate Grip DOL	1.00	TC 0.39	Vert(LL)	-0.12 9-10	>999	480	MT20	244/190
TCDL 10.0	Lumber DOL	1.00	BC 0.65	Vert(CT)	-0.18 11-12	>898	360		
BCLL 0.0	Rep Stress Incr	YES	WB 0.40	Horz(CT)	0.03 8	n/a	n/a		
BCDL 5.0	Code	IRC2015/TPI2014	Matrix-S					Weight: 69 lb	FT = 20%F, 11%E

LUMBER-
 TOP CHORD 2x4 SP No.1(flat)
 BOT CHORD 2x4 SP No.1(flat)
 WEBS 2x4 SP No.3(flat)

BRACING-
 TOP CHORD Structural wood sheathing directly applied or 6-0-0 oc purlins, except end verticals.
 BOT CHORD Rigid ceiling directly applied or 10-0-0 oc bracing.

REACTIONS. (size) 12=0-3-8, 8=0-3-0
 Max Grav 12=727(LC 1), 8=727(LC 1)

FORCES. (lb) - Max. Comp./Max. Ten. - All forces 250 (lb) or less except when shown.
 TOP CHORD 2-3=-1986/0, 3-4=-1986/0, 4-5=-1966/0, 5-6=-1966/0
 BOT CHORD 11-12=0/1315, 10-11=0/1986, 9-10=0/1986, 8-9=0/1318
 WEBS 6-8=-1445/0, 6-9=0/716, 5-9=-263/76, 4-9=-385/240, 2-12=-1442/0, 2-11=0/793

- NOTES-**
- 1) Unbalanced floor live loads have been considered for this design.
 - 2) Plates checked for a plus or minus 1 degree rotation about its center.
 - 3) Recommend 2x6 strongbacks, on edge, spaced at 10-0-0 oc and fastened to each truss with 3-10d (0.131" X 3") nails. Strongbacks to be attached to walls at their outer ends or restrained by other means.



July 31, 2020

WARNING - Verify design parameters and READ NOTES ON THIS AND INCLUDED MITEK REFERENCE PAGE MII-7473 rev. 5/19/2020 BEFORE USE.
 Design valid for use only with MiTek® connectors. This design is based only upon parameters shown, and is for an individual building component, not a truss system. Before use, the building designer must verify the applicability of design parameters and properly incorporate this design into the overall building design. Bracing indicated is to prevent buckling of individual truss web and/or chord members only. Additional temporary and permanent bracing is always required for stability and to prevent collapse with possible personal injury and property damage. For general guidance regarding the fabrication, storage, delivery, erection and bracing of trusses and truss systems, see **ANSI/TPI1 Quality Criteria, DSB-89 and BCSI Building Component Safety Information** available from Truss Plate Institute, 2670 Crain Highway, Suite 203 Waldorf, MD 20601

ENGINEERING BY
TRENCO
 A MiTek Affiliate
 818 Soundside Road
 Edenton, NC 27932

Job J1220-5727	Truss F4	Truss Type Floor	Qty 5	Ply 1	Weaver / 70 Thomas Farm / Harnett Job Reference (optional)	E14688959
-------------------	-------------	---------------------	----------	----------	---	-----------

Comtech, Inc., Fayetteville, NC - 28314,

8.330 s May 6 2020 MiTek Industries, Inc. Fri Jul 31 14:42:58 2020 Page 1
ID:lwPOH6hK8Jeptt6SXqQJcyzm6C-IrIdqHYdkMb8?etiVuLEO47HTBeHwOHxM7xweRysWOx



0-1-8
Scale = 1:22.3

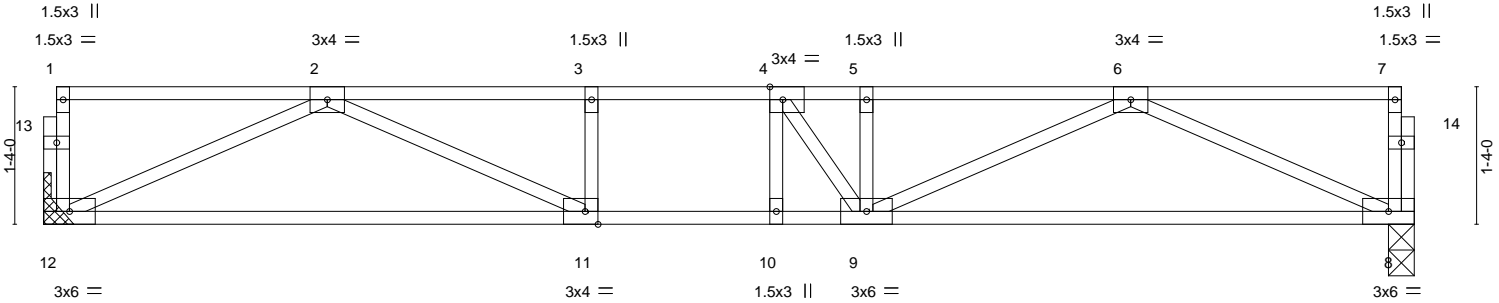


Plate Offsets (X,Y)-- [4:0-1-8,Edge], [11:0-1-8,Edge]

LOADING (psf)	SPACING-	2-0-0	CSI.	DEFL.	in (loc)	l/defl	L/d	PLATES	GRIP
TCLL 40.0	Plate Grip DOL	1.00	TC 0.31	Vert(LL)	-0.10 9-10	>999	480	MT20	244/190
TCDL 10.0	Lumber DOL	1.00	BC 0.58	Vert(CT)	-0.16 11-12	>953	360		
BCLL 0.0	Rep Stress Incr	YES	WB 0.39	Horz(CT)	0.03 8	n/a	n/a		
BCDL 5.0	Code	IRC2015/TPI2014	Matrix-S					Weight: 68 lb	FT = 20%F, 11%E

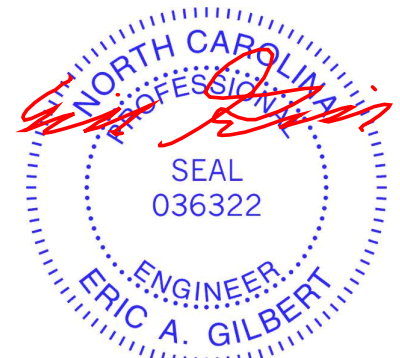
LUMBER-
TOP CHORD 2x4 SP No.1(flat)
BOT CHORD 2x4 SP No.1(flat)
WEBS 2x4 SP No.3(flat)

BRACING-
TOP CHORD Structural wood sheathing directly applied or 6-0-0 oc purlins, except end verticals.
BOT CHORD Rigid ceiling directly applied or 10-0-0 oc bracing.

REACTIONS. (size) 12=Mechanical, 8=0-3-0
Max Grav 12=711(LC 1), 8=711(LC 1)

FORCES. (lb) - Max. Comp./Max. Ten. - All forces 250 (lb) or less except when shown.
TOP CHORD 2-3=-1908/0, 3-4=-1908/0, 4-5=-1897/0, 5-6=-1897/0
BOT CHORD 11-12=0/1281, 10-11=0/1908, 9-10=0/1908, 8-9=0/1283
WEBS 6-8=-1407/0, 6-9=0/679, 5-9=-259/61, 2-12=-1405/0, 2-11=0/738, 4-9=-348/244

- NOTES-**
- 1) Unbalanced floor live loads have been considered for this design.
 - 2) Plates checked for a plus or minus 1 degree rotation about its center.
 - 3) Refer to girder(s) for truss to truss connections.
 - 4) Recommend 2x6 strongbacks, on edge, spaced at 10-0-0 oc and fastened to each truss with 3-10d (0.131" X 3") nails. Strongbacks to be attached to walls at their outer ends or restrained by other means.



July 31, 2020

WARNING - Verify design parameters and READ NOTES ON THIS AND INCLUDED MITEK REFERENCE PAGE MII-7473 rev. 5/19/2020 BEFORE USE.

Design valid for use only with MiTek® connectors. This design is based only upon parameters shown, and is for an individual building component, not a truss system. Before use, the building designer must verify the applicability of design parameters and properly incorporate this design into the overall building design. Bracing indicated is to prevent buckling of individual truss web and/or chord members only. Additional temporary and permanent bracing is always required for stability and to prevent collapse with possible personal injury and property damage. For general guidance regarding the fabrication, storage, delivery, erection and bracing of trusses and truss systems, see

ANSI/TPI1 Quality Criteria, DSB-89 and BCSI Building Component

Safety Information available from Truss Plate Institute, 2670 Crain Highway, Suite 203 Waldorf, MD 20601

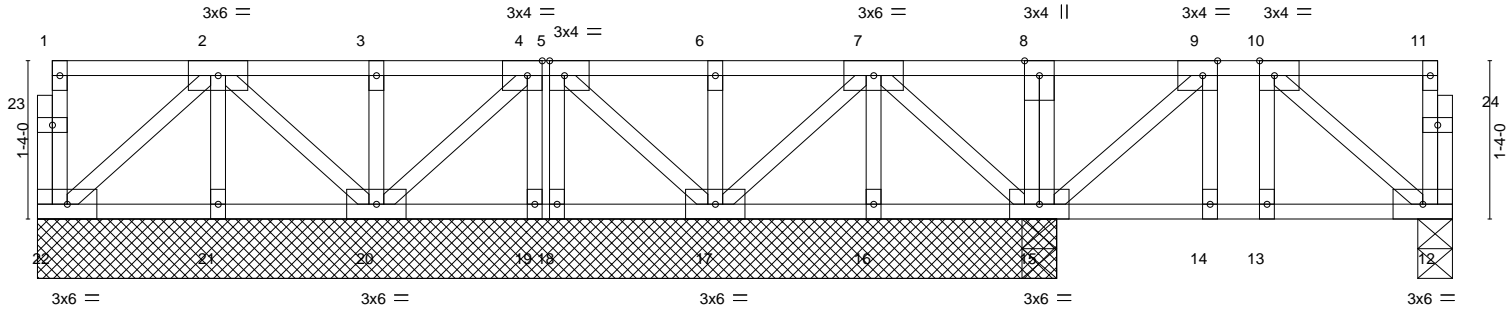


818 Soundside Road
Edenton, NC 27932

Job	Truss	Truss Type	Qty	Ply	Weaver / 70 Thomas Farm / Harnett	E14688960
J1220-5727	F5	Floor	1	1	Job Reference (optional)	

Comtech, Inc, Fayetteville, NC - 28314,

8.330 s May 6 2020 MiTek Industries, Inc. Fri Jul 31 14:42:59 2020 Page 1
ID:lwPOH6hK8Jeptt6SXqQOJcyzm6C-D2sb1dYFVgj?coSu3csTwHgUBa61fwL4angUAtysWOW



2-11-0	4-3-0	4-3-6	4-11-6	5-7-12	8-5-4	8-7-0	11-11-0
2-11-0	1-4-0	0-0-6	0-8-0	0-8-6	2-9-8	0-1-12	3-4-0
Plate Offsets (X,Y)-- [4:0-1-8,Edge], [5:0-1-8,Edge], [9:0-1-8,Edge], [10:0-1-8,Edge]							

LOADING (psf)	SPACING-	CSL	DEFL.	in (loc)	l/defl	L/d	PLATES	GRIP
TCLL 40.0	Plate Grip DOL 1.00	TC 0.18	Vert(LL) -0.00	13	>999	480	MT20	244/190
TCDL 10.0	Lumber DOL 1.00	BC 0.10	Vert(CT) -0.00	12-13	>999	360		
BCLL 0.0	Rep Stress Incr NO	WB 0.08	Horz(CT) -0.00	22	n/a	n/a		
BCDL 5.0	Code IRC2015/TPI2014	Matrix-S					Weight: 77 lb	FT = 20%F, 11%E

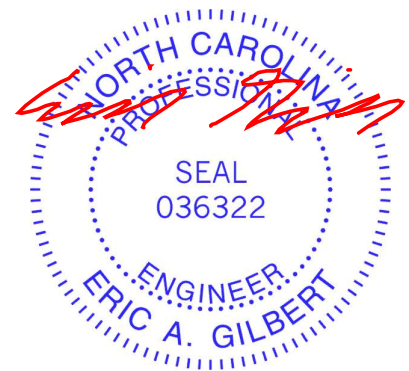
LUMBER-	BRACING-
TOP CHORD 2x4 SP No.1(flat)	TOP CHORD Structural wood sheathing directly applied or 6-0-0 oc purlins, except end verticals.
BOT CHORD 2x4 SP No.1(flat)	BOT CHORD Rigid ceiling directly applied or 10-0-0 oc bracing, Except: 6-0-0 oc bracing: 16-17,15-16.
WEBS 2x4 SP No.3(flat)	

REACTIONS. All bearings 8-7-0 except (jt=length) 12=0-3-8.
 (lb) - Max Grav All reactions 250 lb or less at joint(s) 22, 21, 16, 19, 18 except 12=323(LC 4), 20=365(LC 10), 17=376(LC 10), 15=581(LC 9), 15=564(LC 1)

FORCES. (lb) - Max. Comp./Max. Ten. - All forces 250 (lb) or less except when shown.
 WEBS 8-15=-305/0, 6-17=-272/0, 3-20=-263/0, 9-15=-342/0, 10-12=-303/0

- NOTES-**
- 1) Unbalanced floor live loads have been considered for this design.
 - 2) All plates are 1.5x3 MT20 unless otherwise indicated.
 - 3) Plates checked for a plus or minus 1 degree rotation about its center.
 - 4) Recommend 2x6 strongbacks, on edge, spaced at 10-0-0 oc and fastened to each truss with 3-10d (0.131" X 3") nails. Strongbacks to be attached to walls at their outer ends or restrained by other means.
 - 5) CAUTION, Do not erect truss backwards.

LOAD CASE(S) Standard
 1) Dead + Floor Live (balanced): Lumber Increase=1.00, Plate Increase=1.00
 Uniform Loads (plf)
 Vert: 12-22=-10, 1-11=-200



July 31, 2020

Job	Truss	Truss Type	Qty	Ply	Weaver / 70 Thomas Farm / Harnett	E14688961
J1220-5727	F6	Floor	2	1	Job Reference (optional)	

Comtech, Inc, Fayetteville, NC - 28314,

8.330 s May 6 2020 MiTek Industries, Inc. Fri Jul 31 14:43:00 2020 Page 1

ID:lwPOH6hK8Jeptt6SXqQOJcym6C-hEPzFzZuGzrsEy15dJOiTVDga_SCOOEEpRQ1iJysWov

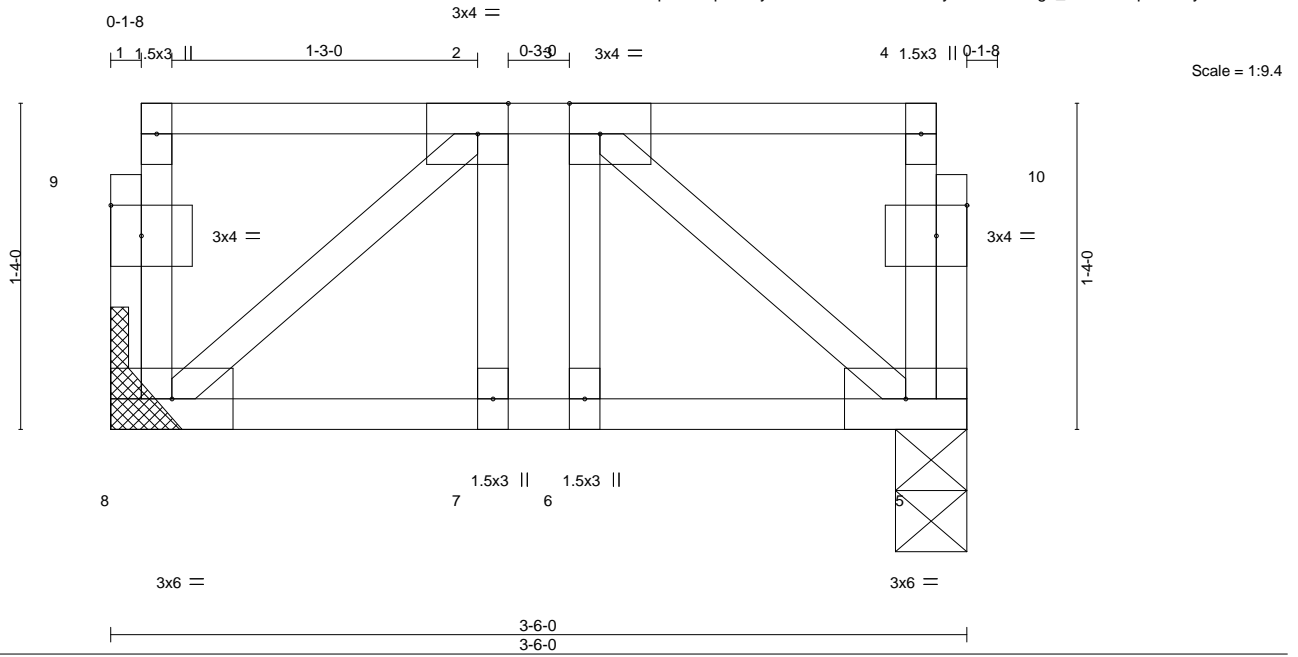


Plate Offsets (X,Y)-- [2:0-1-8,Edge], [3:0-1-8,Edge], [9:0-1-8,0-1-8], [10:0-1-8,0-1-8]

LOADING (psf)	SPACING-	2-0-0	CSI.	DEFL.	in	(loc)	l/defl	L/d	PLATES	GRIP
TCLL 40.0	Plate Grip DOL	1.00	TC 0.08	Vert(LL)	-0.00	7	>999	480	MT20	244/190
TCDL 10.0	Lumber DOL	1.00	BC 0.04	Vert(CT)	-0.00	7	>999	360		
BCLL 0.0	Rep Stress Incr	YES	WB 0.04	Horz(CT)	0.00	5	n/a	n/a		
BCDL 5.0	Code	IRC2015/TPI2014	Matrix-S						Weight: 24 lb	FT = 20%F, 11%E

LUMBER-
 TOP CHORD 2x4 SP No.1(flat)
 BOT CHORD 2x4 SP No.1(flat)
 WEBS 2x4 SP No.3(flat)

BRACING-
 TOP CHORD Structural wood sheathing directly applied or 3-6-0 oc purlins, except end verticals.
 BOT CHORD Rigid ceiling directly applied or 10-0-0 oc bracing.

REACTIONS. (size) 8=Mechanical, 5=0-3-8
 Max Grav 8=173(LC 1), 5=173(LC 1)

FORCES. (lb) - Max. Comp./Max. Ten. - All forces 250 (lb) or less except when shown.

- NOTES-**
- 1) Unbalanced floor live loads have been considered for this design.
 - 2) Plates checked for a plus or minus 1 degree rotation about its center.
 - 3) Refer to girder(s) for truss to truss connections.
 - 4) Recommend 2x6 strongbacks, on edge, spaced at 10-0-0 oc and fastened to each truss with 3-10d (0.131" X 3") nails. Strongbacks to be attached to walls at their outer ends or restrained by other means.



July 31, 2020

WARNING - Verify design parameters and READ NOTES ON THIS AND INCLUDED MITEK REFERENCE PAGE MII-7473 rev. 5/19/2020 BEFORE USE.

Design valid for use only with MiTek® connectors. This design is based only upon parameters shown, and is for an individual building component, not a truss system. Before use, the building designer must verify the applicability of design parameters and properly incorporate this design into the overall building design. Bracing indicated is to prevent buckling of individual truss web and/or chord members only. Additional temporary and permanent bracing is always required for stability and to prevent collapse with possible personal injury and property damage. For general guidance regarding the fabrication, storage, delivery, erection and bracing of trusses and truss systems, see **ANSI/TPI1 Quality Criteria, DSB-89 and BCSI Building Component Safety Information** available from Truss Plate Institute, 2670 Crain Highway, Suite 203 Waldorf, MD 20601



818 Soundside Road
 Edenton, NC 27932

Job	Truss	Truss Type	Qty	Ply	Weaver / 70 Thomas Farm / Harnett	E14688962
J1220-5727	F6A	Floor	1	1	Job Reference (optional)	

Comtech, Inc, Fayetteville, NC - 28314,

8.330 s May 6 2020 MiTek Industries, Inc. Fri Jul 31 14:43:01 2020 Page 1
ID:lwPOH6hK8Jeptt6SXqQOJcyzm6C-9QzLSJaW1Hzjs6cHB0vx0ilqiOng7qwN259aElysWOu

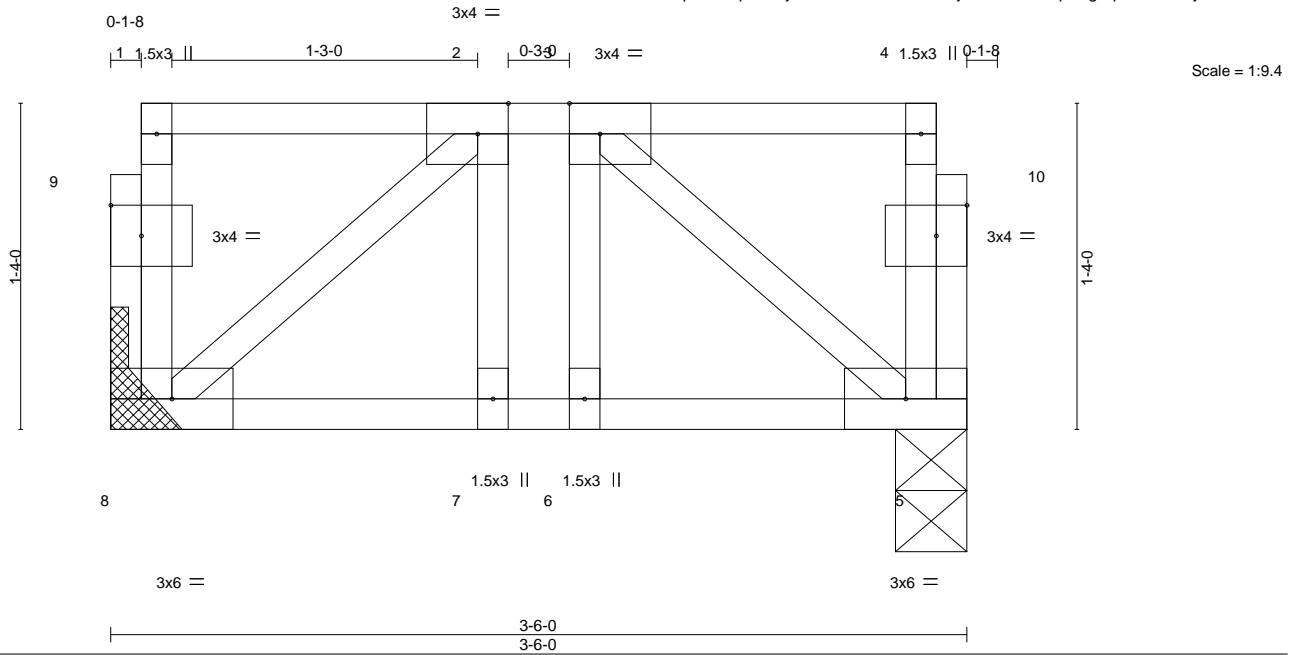


Plate Offsets (X,Y)-- [2:0-1-8,Edge], [3:0-1-8,Edge], [9:0-1-8,0-1-8], [10:0-1-8,0-1-8]

LOADING (psf)	SPACING-	2-0-0	CSI.	DEFL.	in	(loc)	l/defl	L/d	PLATES	GRIP
TCLL 40.0	Plate Grip DOL	1.00	TC 0.18	Vert(LL)	-0.00	7-8	>999	480	MT20	244/190
TCDL 10.0	Lumber DOL	1.00	BC 0.09	Vert(CT)	-0.00	7-8	>999	360		
BCLL 0.0	Rep Stress Incr	NO	WB 0.08	Horz(CT)	0.00	5	n/a	n/a		
BCDL 5.0	Code	IRC2015/TPI2014	Matrix-S						Weight: 24 lb	FT = 20%F, 11%E

LUMBER-
TOP CHORD 2x4 SP No.1(flat)
BOT CHORD 2x4 SP No.1(flat)
WEBS 2x4 SP No.3(flat)

BRACING-
TOP CHORD Structural wood sheathing directly applied or 3-6-0 oc purlins, except end verticals.
BOT CHORD Rigid ceiling directly applied or 10-0-0 oc bracing.

REACTIONS. (size) 8=Mechanical, 5=0-3-8
Max Grav 8=329(LC 1), 5=329(LC 1)

FORCES. (lb) - Max. Comp./Max. Ten. - All forces 250 (lb) or less except when shown.

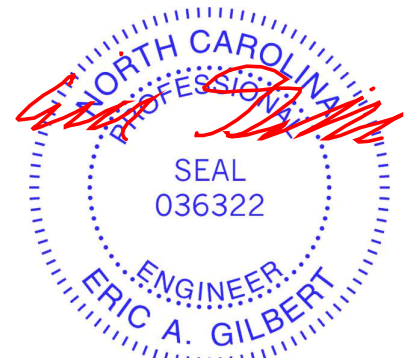
TOP CHORD 2-3=-252/0
BOT CHORD 7-8=0/252, 6-7=0/252, 5-6=0/252
WEBS 2-8=-322/0, 3-5=-322/0

NOTES-

- 1) Unbalanced floor live loads have been considered for this design.
- 2) Plates checked for a plus or minus 1 degree rotation about its center.
- 3) Refer to girder(s) for truss to truss connections.
- 4) Recommend 2x6 strongbacks, on edge, spaced at 10-0-0 oc and fastened to each truss with 3-10d (0.131" X 3") nails. Strongbacks to be attached to walls at their outer ends or restrained by other means.

LOAD CASE(S) Standard

- 1) Dead + Floor Live (balanced): Lumber Increase=1.00, Plate Increase=1.00
Uniform Loads (plf)
Vert: 5-8=-10, 1-4=-200



July 31, 2020

WARNING - Verify design parameters and READ NOTES ON THIS AND INCLUDED MITEK REFERENCE PAGE MII-7473 rev. 5/19/2020 BEFORE USE.

Design valid for use only with MiTek® connectors. This design is based only upon parameters shown, and is for an individual building component, not a truss system. Before use, the building designer must verify the applicability of design parameters and properly incorporate this design into the overall building design. Bracing indicated is to prevent buckling of individual truss web and/or chord members only. Additional temporary and permanent bracing is always required for stability and to prevent collapse with possible personal injury and property damage. For general guidance regarding the fabrication, storage, delivery, erection and bracing of trusses and truss systems, see

ANSI/TPI1 Quality Criteria, DSB-89 and BCSI Building Component

Safety Information available from Truss Plate Institute, 2670 Crain Highway, Suite 203 Waldorf, MD 20601



818 Soundside Road
Edenton, NC 27932

Job J1220-5727	Truss KW1	Truss Type GABLE	Qty 1	Ply 1	Weaver / 70 Thomas Farm / Harnett Job Reference (optional)	E14688963
-------------------	--------------	---------------------	----------	----------	---	-----------

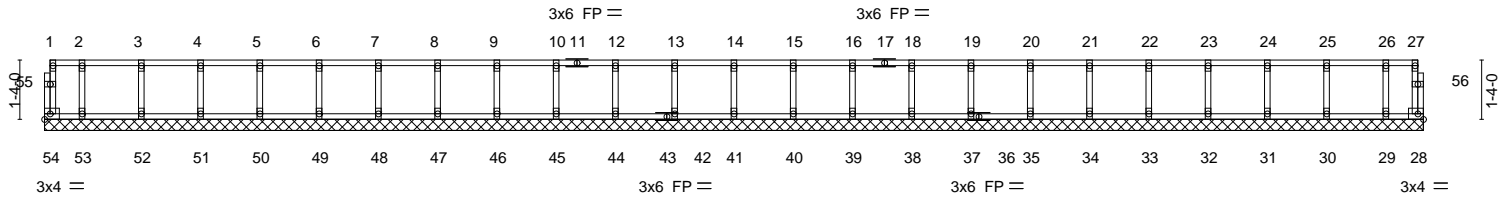
Comtech, Inc. Fayetteville, NC - 28314,

8.330 s May 6 2020 MiTek Industries, Inc. Fri Jul 31 14:43:02 2020 Page 1
ID:IwPOH6hK8Jeptt6SXqQOJcym6C-ddXkgfb8oa5aTGATkkQAYwl1Oo8FslsXHlv8nCysWOt

0-1-8

0-1-8

Scale = 1:51.8



0-10-2 2-2-2 | 3-6-2 | 4-10-2 | 6-2-2 | 7-6-2 | 8-10-2 | 10-2-2 | 11-6-2 | 12-10-2 | 14-2-2 | 15-6-2 | 16-10-2 | 18-2-2 | 19-6-2 | 20-10-2 | 22-2-2 | 23-6-2 | 24-10-2 | 26-2-2 | 27-6-2 | 28-10-2 | 30-2-2 31-0-4
0-10-2 1-4-0 | 1-4-0 | 1-4-0 | 1-4-0 | 1-4-0 | 1-4-0 | 1-4-0 | 1-4-0 | 1-4-0 | 1-4-0 | 1-4-0 | 1-4-0 | 1-4-0 | 1-4-0 | 1-4-0 | 1-4-0 | 1-4-0 | 1-4-0 | 1-4-0 | 1-4-0 | 1-4-0 | 1-4-0 | 1-4-0 | 1-4-0 | 1-4-0 | 1-4-0 | 1-4-0

LOADING (psf)	SPACING- 2-0-0	CSI.	DEFL. in (loc) l/defl L/d	PLATES	GRIP
TCLL 40.0	Plate Grip DOL 1.00	TC 0.06	Vert(LL) n/a - n/a 999	MT20	244/190
TCDL 10.0	Lumber DOL 1.00	BC 0.01	Vert(CT) n/a - n/a 999		
BCLL 0.0	Rep Stress Incr YES	WB 0.03	Horz(CT) 0.00 28 n/a n/a		
BCDL 5.0	Code IRC2015/TPI2014	Matrix-R		Weight: 135 lb	FT = 20%F, 11%E

LUMBER-	BRACING-
TOP CHORD 2x4 SP No.1(flat)	TOP CHORD Structural wood sheathing directly applied or 6-0-0 oc purlins, except end verticals.
BOT CHORD 2x4 SP No.1(flat)	BOT CHORD Rigid ceiling directly applied or 10-0-0 oc bracing.
WEBS 2x4 SP No.3(flat)	
OTHERS 2x4 SP No.3(flat)	

REACTIONS. All bearings 31-0-4.
(lb) - Max Grav All reactions 250 lb or less at joint(s) 54, 28, 41, 42, 44, 45, 46, 47, 48, 49, 50, 51, 52, 53, 40, 39, 38, 37, 35, 34, 33, 32, 31, 30, 29

FORCES. (lb) - Max. Comp./Max. Ten. - All forces 250 (lb) or less except when shown.

- NOTES-**
- 1) All plates are 1.5x3 MT20 unless otherwise indicated.
 - 2) Plates checked for a plus or minus 1 degree rotation about its center.
 - 3) Gable requires continuous bottom chord bearing.
 - 4) Truss to be fully sheathed from one face or securely braced against lateral movement (i.e. diagonal web).
 - 5) Gable studs spaced at 1-4-0 oc.
 - 6) Recommend 2x6 strongbacks, on edge, spaced at 10-0-0 oc and fastened to each truss with 3-10d (0.131" X 3") nails. Strongbacks to be attached to walls at their outer ends or restrained by other means.



July 31, 2020

Job	Truss	Truss Type	Qty	Ply	Weaver / 70 Thomas Farm / Harnett	E14688964
J1220-5727	KW2	GABLE	1	1	Job Reference (optional)	

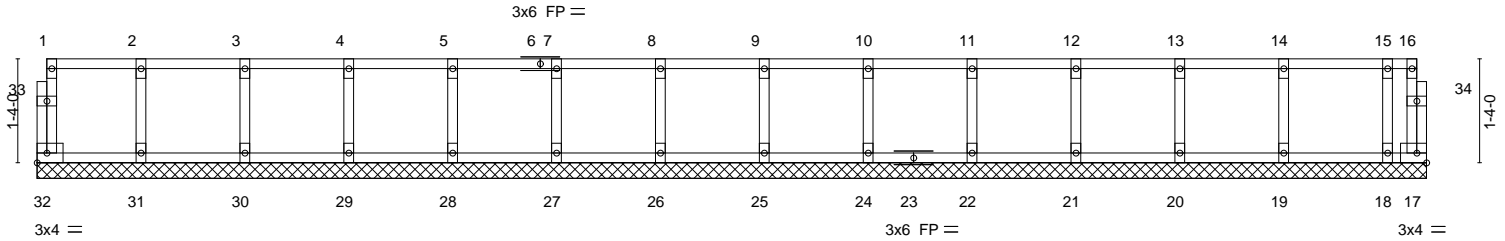
Comtech, Inc, Fayetteville, NC - 28314,

8.330 s May 6 2020 MiTek Industries, Inc. Fri Jul 31 14:43:03 2020 Page 1
ID:lwPOH6hK8Jeptt6SXqQOJcym6C-6p56t?bmZuDR5PlgIRxP57qC7CULbl6gVPehJeysWOs

0-1,8

0-1,8

Scale = 1:29.6



1-4-0	2-8-0	4-0-0	5-4-0	6-8-0	8-0-0	9-4-0	10-8-0	12-0-0	13-4-0	14-8-0	16-0-0	17-4-0	17-10-0
1-4-0	1-4-0	1-4-0	1-4-0	1-4-0	1-4-0	1-4-0	1-4-0	1-4-0	1-4-0	1-4-0	1-4-0	1-4-0	0-6-0
LOADING (psf)	SPACING-	2-0-0	CSI.	DEFL.	in	(oc)	l/defl	L/d	PLATES	GRIP			
TCLL 40.0	Plate Grip DOL	1.00	TC 0.06	Vert(LL)	n/a	-	n/a	999	MT20	244/190			
TCDL 10.0	Lumber DOL	1.00	BC 0.02	Vert(CT)	n/a	-	n/a	999					
BCLL 0.0	Rep Stress Incr	YES	WB 0.03	Horz(CT)	0.00	17	n/a	n/a					
BCDL 5.0	Code IRC2015/TPI2014		Matrix-R					Weight: 80 lb	FT = 20%F, 11%E				

LUMBER-
TOP CHORD 2x4 SP No.1(flat)
BOT CHORD 2x4 SP No.1(flat)
WEBS 2x4 SP No.3(flat)
OTHERS 2x4 SP No.3(flat)

BRACING-
TOP CHORD Structural wood sheathing directly applied or 6-0-0 oc purlins, except end verticals.
BOT CHORD Rigid ceiling directly applied or 10-0-0 oc bracing.

REACTIONS. All bearings 17-10-0.
(b) - Max Grav All reactions 250 lb or less at joint(s) 32, 17, 31, 30, 29, 28, 27, 26, 25, 24, 22, 21, 20, 19, 18

FORCES. (lb) - Max. Comp./Max. Ten. - All forces 250 (lb) or less except when shown.

- NOTES-**
- 1) All plates are 1.5x3 MT20 unless otherwise indicated.
 - 2) Plates checked for a plus or minus 1 degree rotation about its center.
 - 3) Gable requires continuous bottom chord bearing.
 - 4) Truss to be fully sheathed from one face or securely braced against lateral movement (i.e. diagonal web).
 - 5) Gable studs spaced at 1-4-0 oc.
 - 6) Recommend 2x6 strongbacks, on edge, spaced at 10-0-0 oc and fastened to each truss with 3-10d (0.131" X 3") nails. Strongbacks to be attached to walls at their outer ends or restrained by other means.



July 31, 2020

Job	Truss	Truss Type	Qty	Ply	Weaver / 70 Thomas Farm / Harnett	E14688965
J1220-5727	KW4	GABLE	1	1	Job Reference (optional)	

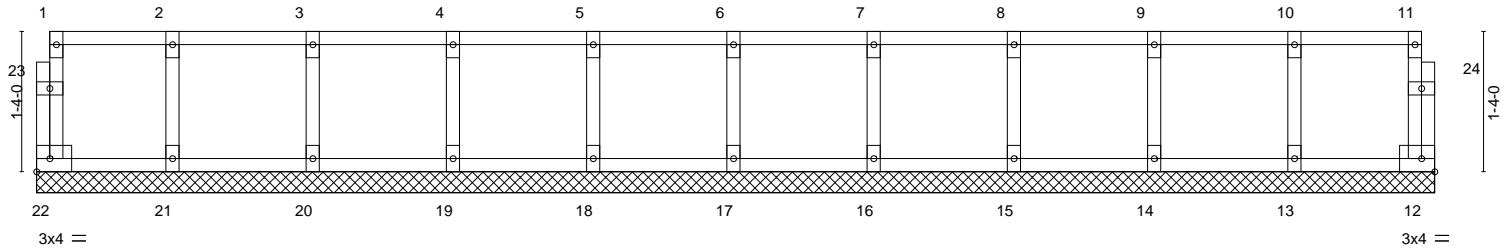
Comtech, Inc., Fayetteville, NC - 28314,

8.330 s May 6 2020 MiTek Industries, Inc. Fri Jul 31 14:43:04 2020 Page 1
ID:lwPOH6hK8Jeptt6SXqQOJcym6C-a?fU4KcOKCLjZKss9SedLNNwbqjKCNqk2OFr4ysWOR

0₁8

0₁8

Scale = 1:21.9



1-3-8	2-7-8	3-11-8	5-3-8	6-7-8	7-11-8	9-3-8	10-7-8	11-11-8	13-3-8
1-3-8	1-4-0	1-4-0	1-4-0	1-4-0	1-4-0	1-4-0	1-4-0	1-4-0	1-4-0

LOADING (psf)	SPACING-	CSI.	DEFL.	in	(loc)	l/defl	L/d	PLATES	GRIP
TCLL 40.0	2-0-0 Plate Grip DOL 1.00	TC 0.06	Vert(LL)	n/a	-	n/a	999	MT20	244/190
TCDL 10.0	Lumber DOL 1.00	BC 0.01	Vert(CT)	n/a	-	n/a	999		
BCLL 0.0	Rep Stress Incr YES	WB 0.03	Horz(CT)	0.00	12	n/a	n/a		
BCDL 5.0	Code IRC2015/TPI2014	Matrix-R						Weight: 60 lb	FT = 20%F, 11%E

LUMBER-

TOP CHORD 2x4 SP No.1(flat)
BOT CHORD 2x4 SP No.1(flat)
WEBS 2x4 SP No.3(flat)
OTHERS 2x4 SP No.3(flat)

BRACING-

TOP CHORD Structural wood sheathing directly applied or 6-0-0 oc purlins, except end verticals.
BOT CHORD Rigid ceiling directly applied or 10-0-0 oc bracing.

REACTIONS.

All bearings 13-3-8.

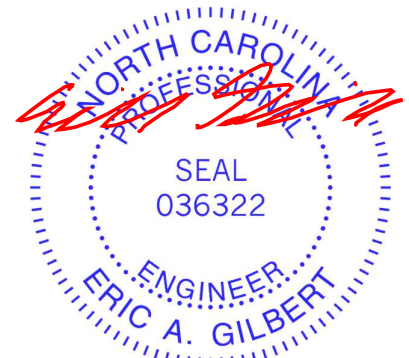
(lb) - Max Grav All reactions 250 lb or less at joint(s) 22, 12, 13, 14, 15, 16, 17, 18, 19, 20, 21

FORCES.

(lb) - Max. Comp./Max. Ten. - All forces 250 (lb) or less except when shown.

NOTES-

- All plates are 1.5x3 MT20 unless otherwise indicated.
- Plates checked for a plus or minus 1 degree rotation about its center.
- Gable requires continuous bottom chord bearing.
- Truss to be fully sheathed from one face or securely braced against lateral movement (i.e. diagonal web).
- Gable studs spaced at 1-4-0 oc.
- Recommend 2x6 strongbacks, on edge, spaced at 10-0-0 oc and fastened to each truss with 3-10d (0.131" X 3") nails. Strongbacks to be attached to walls at their outer ends or restrained by other means.



July 31, 2020

WARNING - Verify design parameters and READ NOTES ON THIS AND INCLUDED MITEK REFERENCE PAGE MII-7473 rev. 5/19/2020 BEFORE USE.

Design valid for use only with MiTek® connectors. This design is based only upon parameters shown, and is for an individual building component, not a truss system. Before use, the building designer must verify the applicability of design parameters and properly incorporate this design into the overall building design. Bracing indicated is to prevent buckling of individual truss web and/or chord members only. Additional temporary and permanent bracing is always required for stability and to prevent collapse with possible personal injury and property damage. For general guidance regarding the fabrication, storage, delivery, erection and bracing of trusses and truss systems, see **ANSI/TPI1 Quality Criteria, DSB-89 and BCSI Building Component Safety Information** available from Truss Plate Institute, 2670 Crain Highway, Suite 203 Waldorf, MD 20601



818 Soundside Road
Edenton, NC 27932

Job	Truss	Truss Type	Qty	Ply	Weaver / 70 Thomas Farm / Harnett	E14688966
J1220-5727	KW6	GABLE	1	1	Job Reference (optional)	

Comtech, Inc, Fayetteville, NC - 28314,

8.330 s May 6 2020 MiTek Industries, Inc. Fri Jul 31 14:43:05 2020 Page 1
ID:lwPOH6hK8Jeptt6SXqQOJcym6C-2CDslgd05VT8Kjv2QsztAYwXb?An3fKzzi7oNXysWOq

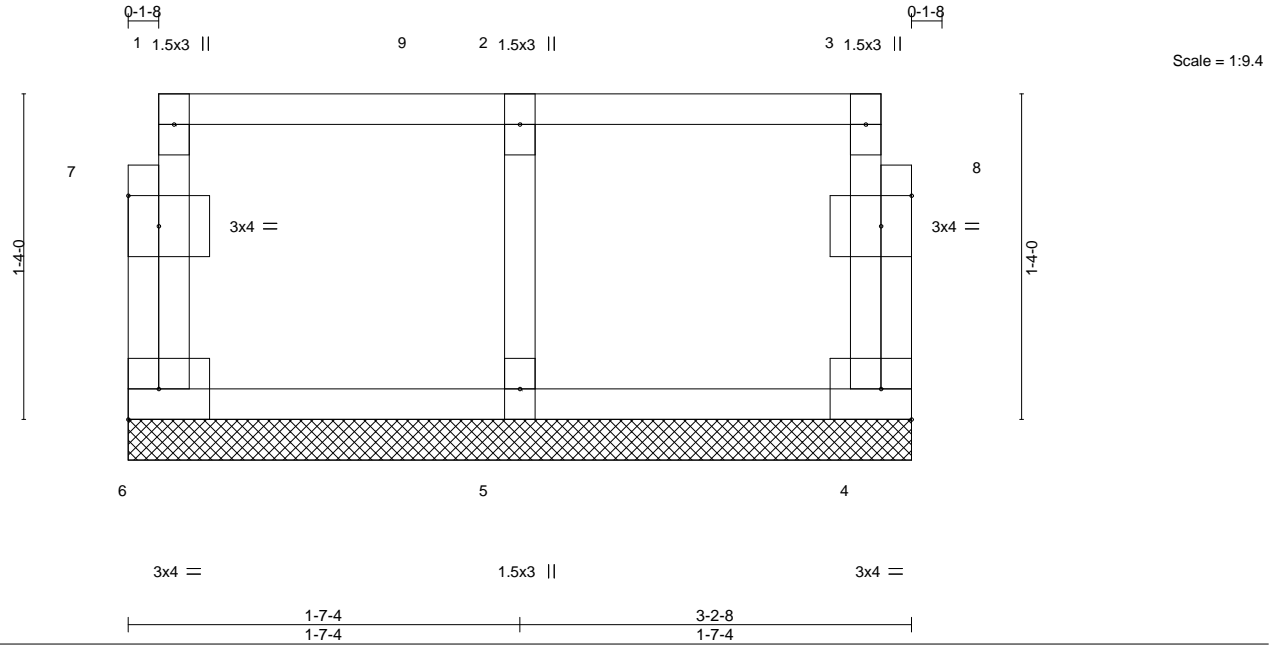


Plate Offsets (X,Y)--	[7:0-1-8,0-1-8], [8:0-1-8,0-1-8]							
LOADING (psf)	SPACING- 2-0-0	CSI.	DEFL.	in (loc)	l/defl	L/d	PLATES	GRIP
TCLL 40.0	Plate Grip DOL 1.00	TC 0.13	Vert(LL) n/a	-	n/a	999	MT20	244/190
TCDL 10.0	Lumber DOL 1.00	BC 0.02	Vert(CT) n/a	-	n/a	999		
BCLL 0.0	Rep Stress Incr YES	WB 0.05	Horz(CT) 0.00	4	n/a	n/a		
BCDL 5.0	Code IRC2015/TPI2014	Matrix-R					Weight: 17 lb	FT = 20%F, 11%E

LUMBER-

TOP CHORD 2x4 SP No.1(flat)
BOT CHORD 2x4 SP No.1(flat)
WEBS 2x4 SP No.3(flat)
OTHERS 2x4 SP No.3(flat)

BRACING-

TOP CHORD Structural wood sheathing directly applied or 3-2-8 oc purlins, except end verticals.
BOT CHORD Rigid ceiling directly applied or 10-0-0 oc bracing.

REACTIONS. (size) 6=3-2-8, 4=3-2-8, 5=3-2-8
Max Grav 6=86(LC 1), 4=149(LC 1), 5=230(LC 1)

FORCES. (lb) - Max. Comp./Max. Ten. - All forces 250 (lb) or less except when shown.

NOTES-

- Plates checked for a plus or minus 1 degree rotation about its center.
- Gable requires continuous bottom chord bearing.
- Truss to be fully sheathed from one face or securely braced against lateral movement (i.e. diagonal web).
- Gable studs spaced at 1-4-0 oc.
- Recommend 2x6 strongbacks, on edge, spaced at 10-0-0 oc and fastened to each truss with 3-10d (0.131" X 3") nails. Strongbacks to be attached to walls at their outer ends or restrained by other means.

LOAD CASE(S) Standard

- Dead + Floor Live (balanced): Lumber Increase=1.00, Plate Increase=1.00
Uniform Loads (plf)
Vert: 4-6=-10, 1-3=-100
Concentrated Loads (lb)
Vert: 3=-81 9=-70



July 31, 2020

WARNING - Verify design parameters and READ NOTES ON THIS AND INCLUDED MITEK REFERENCE PAGE MII-7473 rev. 5/19/2020 BEFORE USE.

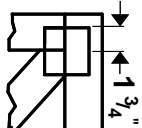
Design valid for use only with MiTek® connectors. This design is based only upon parameters shown, and is for an individual building component, not a truss system. Before use, the building designer must verify the applicability of design parameters and properly incorporate this design into the overall building design. Bracing indicated is to prevent buckling of individual truss web and/or chord members only. Additional temporary and permanent bracing is always required for stability and to prevent collapse with possible personal injury and property damage. For general guidance regarding the fabrication, storage, delivery, erection and bracing of trusses and truss systems, see **ANSI/TPI1 Quality Criteria, DSB-89 and BCSI Building Component Safety Information** available from Truss Plate Institute, 2670 Crain Highway, Suite 203 Waldorf, MD 20601



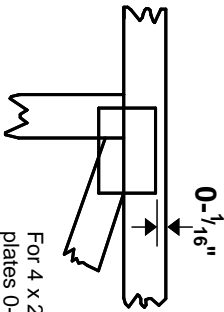
818 Soundside Road
Edenton, NC 27932

Symbols

PLATE LOCATION AND ORIENTATION



Center plate on joint unless x, y offsets are indicated. Dimensions are in ft-in-sixteenths. Apply plates to both sides of truss and fully embed teeth.



For 4 x 2 orientation, locate plates 0- 1/16" from outside edge of truss.



This symbol indicates the required direction of slots in connector plates.

* Plate location details available in **MITek 20/20 software** or upon request.

PLATE SIZE

4 X 4

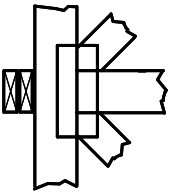
The first dimension is the plate width measured perpendicular to slots. Second dimension is the length parallel to slots.

LATERAL BRACING LOCATION



Indicated by symbol shown and/or by text in the bracing section of the output. Use T or I bracing if indicated.

BEARING



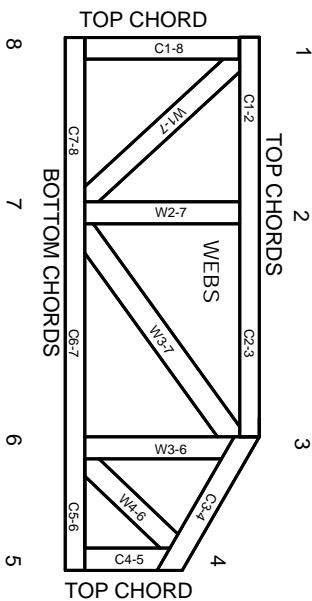
Indicates location where bearings (supports) occur. Icons vary but reaction section indicates joint number where bearings occur. Min size shown is for crushing only.

Industry Standards:

ANSI/TFP 1: National Design Specification for Metal Plate Connected Wood Truss Construction.
DSB-89: Design Standard for Bracing.
BCSI: Building Component Safety Information, Guide to Good Practice for Handling, Installing & Bracing of Metal Plate Connected Wood Trusses.

Numbering System

6-4-8
dimensions shown in ft-in-sixteenths
(Drawings not to scale)



JOINTS ARE GENERALLY NUMBERED/LETTERED CLOCKWISE AROUND THE TRUSS STARTING AT THE JOINT FARTHEST TO THE LEFT.

CHORDS AND WEBS ARE IDENTIFIED BY END JOINT NUMBERS/LETTERS.

PRODUCT CODE APPROVALS

ICC-ES Reports:

ESR-1311, ESR-1352, ESR1988
ER-3907, ESR-2362, ESR-1397, ESR-3282

Trusses are designed for wind loads in the plane of the truss unless otherwise shown.

Lumber design values are in accordance with ANSI/TFP 1 section 6.3 These truss designs rely on lumber values established by others.

© 2012 MITteK® All Rights Reserved



MITek Engineering Reference Sheet: Mill-7473 rev. 5/19/2020



General Safety Notes

Failure to Follow Could Cause Property Damage or Personal Injury

1. Additional stability bracing for truss system, e.g. diagonal or X-bracing, is always required. See BCSI.
2. Truss bracing must be designed by an engineer. For wide truss spacing, individual lateral braces themselves may require bracing, or alternative Tor I bracing should be considered.
3. Never exceed the design loading shown and never stack materials on inadequately braced trusses.
4. Provide copies of this truss design to the building designer, erection supervisor, property owner and all other interested parties.
5. Cut members to bear tightly against each other.
6. Place plates on each face of truss at each joint and embed fully. Knots and wane at joint locations are regulated by ANSI/TFP 1.
7. Design assumes trusses will be suitably protected from the environment in accord with ANSI/TFP 1.
8. Unless otherwise noted, moisture content of lumber shall not exceed 19% at time of fabrication.
9. Unless expressly noted, this design is not applicable for use with fire retardant, preservative treated, or green lumber.
10. Camber is a non-structural consideration and is the responsibility of truss fabricator. General practice is to camber for dead load deflection.
11. Plate type, size, orientation and location dimensions indicated are minimum plating requirements.
12. Lumber used shall be of the species and size, and in all respects, equal to or better than that specified.
13. Top chords must be sheathed or purlins provided at spacing indicated on design.
14. Bottom chords require lateral bracing at 10 ft. spacing, or less, if no ceiling is installed, unless otherwise noted.
15. Connections not shown are the responsibility of others.
16. Do not cut or alter truss member or plate without prior approval of an engineer.
17. Install and load vertically unless indicated otherwise.
18. Use of green or treated lumber may pose unacceptable environmental, health or performance risks. Consult with project engineer before use.
19. Review all portions of this design (front, back, words and pictures) before use. Rewriting pictures alone is not sufficient.
20. Design assumes manufacture in accordance with ANSI/TFP 1 Quality Criteria.
21. The design does not take into account any dynamic or other loads other than those expressly stated.