



NORTH CAROLINA 50' SERIES PLAN 150.1446-R

LOT 38 - HIGHLAND GROVE
- ELEVATION C

SHEET INDEX

PLAN #150.1446-R

| | |
|-----------------------------------|--|
| TS | TITLE SHEET |
| GN1 | GENERAL NOTES |
| GN2 | GENERAL NOTES |
| GN3 | GENERAL NOTES |
| FLOOR PLANS | |
| 1.1 | FLOOR PLAN 'A' |
| 1.2 | FLOOR PLAN 'A/B/C/D' W/ CRAWL SPACE |
| 1.3 | FLOOR PLAN OPTIONS |
| SLAB INTERFACE & FOUNDATION PLANS | |
| 2.1 | SLAB INTERFACE PLAN 'A' |
| 2.2 | PARTIAL SLAB INTERFACE PLAN 'B', 'C', 'D' |
| 2.3 | PARTIAL SLAB INTERFACE PLAN 'D' |
| 2.4 | CRAWL SPACE FOUNDATION PLAN 'A' |
| 2.5 | PARTIAL CRAWL SPACE FOUNDATION PLANS 'B' & 'C' |
| 2.6 | PARTIAL CRAWL SPACE FOUNDATION PLANS 'D' |
| EXTERIOR ELEVATIONS | |
| 3.A1 | ROOF PLAN, FRONT & REAR ELEVATIONS 'A' |
| 3.A2 | LEFT & RIGHT ELEVATIONS 'A' |
| 3.A3 | PARTIAL FLOOR PLAN, FRONT & LEFT ELEVATIONS 'A' AT CRAWL SPACE |
| 3.A4 | PARTIAL FRONT & LEFT ELEVATIONS 'A' AT CRAWL SPACE |
| 3.A5 | REAR, LEFT & RIGHT ELEVATIONS 'A' AT CRAWL SPACE |
| 3.A6 | FRONT ELEVATIONS 'A' AT OPTIONAL 9'-1" PLATE HEIGHT |
| 3.A7 | FRONT ELEVATIONS 'A' W/ BRICK OPTION & PARTIAL RIGHT ELEVATION |
| 3.B1 | FRONT ELEVATIONS 'A' W/ BRICK AT OPTIONAL 9'-1" PLATE HEIGHT |
| 3.B2 | PARTIAL FLOOR PLAN 'B' |
| 3.B3 | ROOF PLAN, FRONT & REAR ELEVATIONS 'B' |
| 3.B4 | LEFT & RIGHT ELEVATIONS 'B' |
| 3.B5 | PARTIAL FLOOR PLAN, FRONT & LEFT ELEVATIONS 'B' AT CRAWL SPACE |
| 3.B6 | PARTIAL FRONT ELEVATION 'B' AT CRAWL SPACE |
| 3.B7 | REAR, LEFT & RIGHT ELEVATIONS 'B' AT CRAWL SPACE |
| 3.B8 | FRONT ELEVATIONS 'B' AT OPTIONAL 9'-1" PLATE HEIGHT |
| 3.B9 | FRONT ELEVATIONS 'B' W/ STONE OPTION & PARTIAL RIGHT ELEVATION |
| 3.C1 | FRONT ELEVATIONS 'B' W/ STONE AT OPTIONAL 9'-1" PLATE HEIGHT |
| 3.C2 | PARTIAL FLOOR PLAN 'C' |
| 3.C3 | ROOF PLAN, FRONT & REAR ELEVATIONS 'C' |
| 3.C4 | LEFT & RIGHT ELEVATIONS 'C' |
| 3.C5 | PARTIAL FLOOR PLAN, FRONT & LEFT ELEVATIONS 'C' AT CRAWL SPACE |
| 3.C6 | PARTIAL FRONT & LEFT ELEVATIONS 'C' AT CRAWL SPACE |
| 3.C7 | REAR, LEFT & RIGHT ELEVATIONS 'C' AT CRAWL SPACE |
| 3.C8 | FRONT ELEVATIONS 'C' AT OPTIONAL 9'-1" PLATE HEIGHT |
| 3.C9 | FRONT ELEVATIONS 'C' W/ STONE OPTION & PARTIAL RIGHT ELEVATION |
| 3.D1 | FRONT ELEVATIONS 'C' W/ STONE AT OPTIONAL 9'-1" PLATE HEIGHT |
| 3.D2 | PARTIAL FLOOR PLANS 'D' |
| 3.D3 | ROOF PLAN, FRONT & REAR ELEVATIONS 'D' |
| 3.D4 | LEFT & RIGHT ELEVATIONS 'D' |
| 3.D5 | PARTIAL FLOOR PLAN, FRONT & LEFT ELEVATIONS 'D' AT CRAWL SPACE |
| 3.D6 | PARTIAL FRONT ELEVATION 'D' AT CRAWL SPACE |
| 3.D7 | REAR, LEFT & RIGHT ELEVATIONS 'D' AT CRAWL SPACE |
| 3.D8 | FRONT ELEVATIONS 'D' AT OPTIONAL 9'-1" PLATE HEIGHT |
| 3.D9 | FRONT ELEVATIONS 'D' W/ STONE OPTION & PARTIAL RIGHT ELEVATION |
| 3.D0 | FRONT ELEVATIONS 'D' W/ STONE AT OPTIONAL 9'-1" PLATE HEIGHT |
| SECTIONS & INTERIORS | |
| 4.1 | INTERIOR ELEVATIONS |
| 4.2 | SECTIONS AT SLAB ON GRADE |
| 4.3 | SECTIONS AT CRAWL SPACE |
| UTILITY PLANS | |
| 5.1 | UTILITY PLANS |
| 5.2 | UTILITY PLAN OPTIONS |
| 5.3 | UTILITY PLAN OPTIONS |

| | |
|-----------------------|---|
| DECK OPTIONS | |
| T.1 | PARTIAL PLANS & ELEVATIONS 'A/B/C/D' W/ OPT. DECK AT CRAWL SPACE |
| T.2 | PARTIAL PLANS & ELEVATIONS 'A/B/C/D' W/ OPT. EXTENDED DECK AT CRAWL SPACE |
| PATIO OPTIONS | |
| P.A1 | PARTIAL FLOOR PLAN, ROOF & ELEVATIONS W/ OPT. COVERED PATIO 'A' |
| P.A2 | PARTIAL FLOOR PLANS, ROOF & ELEVATIONS W/ OPT. EXTENDED SCREENED-IN COVERED DECK 'A' |
| P.A3 | PARTIAL FLOOR PLAN, ROOF & ELEVATIONS W/ OPT. EXTENDED COVERED PATIO 'A' |
| P.A4 | PARTIAL FLOOR PLANS, ROOF & ELEVATIONS W/ OPT. EXTENDED SCREENED-IN COVERED DECK 'A' |
| P.A5 | PARTIAL FLOOR PLAN, ROOF & ELEVATIONS W/ OPT. SCREENED-IN COVERED PATIO 'A' |
| P.A6 | PARTIAL FLOOR PLANS, ROOF & ELEVATIONS W/ OPT. EXTENDED SCREENED-IN COVERED PATIO 'A' |
| P.B1 | PARTIAL FLOOR PLAN, ROOF & ELEVATIONS W/ OPT. COVERED PATIO 'B' |
| P.B2 | PARTIAL FLOOR PLANS, ROOF & ELEVATIONS W/ OPT. EXTENDED SCREENED-IN COVERED DECK 'B' |
| P.B3 | PARTIAL FLOOR PLAN, ROOF & ELEVATIONS W/ OPT. EXTENDED COVERED PATIO 'B' |
| P.B4 | PARTIAL FLOOR PLANS, ROOF & ELEVATIONS W/ OPT. EXTENDED SCREENED-IN COVERED DECK 'B' |
| P.B5 | PARTIAL FLOOR PLAN, ROOF & ELEVATIONS W/ OPT. SCREENED-IN COVERED PATIO 'B' |
| P.B6 | PARTIAL FLOOR PLANS, ROOF & ELEVATIONS W/ OPT. EXTENDED SCREENED-IN COVERED PATIO 'B' |
| P.C1 | PARTIAL FLOOR PLAN, ROOF & ELEVATIONS W/ OPT. COVERED PATIO 'C' |
| P.C2 | PARTIAL FLOOR PLANS, ROOF & ELEVATIONS W/ OPT. EXTENDED SCREENED-IN COVERED DECK 'C' |
| P.C3 | PARTIAL FLOOR PLAN, ROOF & ELEVATIONS W/ OPT. EXTENDED COVERED PATIO 'C' |
| P.C4 | PARTIAL FLOOR PLANS, ROOF & ELEVATIONS W/ OPT. EXTENDED SCREENED-IN COVERED DECK 'C' |
| P.C5 | PARTIAL FLOOR PLAN, ROOF & ELEVATIONS W/ OPT. SCREENED-IN COVERED PATIO 'C' |
| P.C6 | PARTIAL FLOOR PLANS, ROOF & ELEVATIONS W/ OPT. EXTENDED SCREENED-IN COVERED PATIO 'C' |
| P.D1 | PARTIAL FLOOR PLAN, ROOF & ELEVATIONS W/ OPT. COVERED PATIO 'D' |
| P.D2 | PARTIAL FLOOR PLANS, ROOF & ELEVATIONS W/ OPT. EXTENDED SCREENED-IN COVERED DECK 'D' |
| P.D3 | PARTIAL FLOOR PLAN, ROOF & ELEVATIONS W/ OPT. EXTENDED COVERED PATIO 'D' |
| P.D4 | PARTIAL FLOOR PLANS, ROOF & ELEVATIONS W/ OPT. EXTENDED SCREENED-IN COVERED DECK 'D' |
| P.D5 | PARTIAL FLOOR PLAN, ROOF & ELEVATIONS W/ OPT. SCREENED-IN COVERED PATIO 'D' |
| P.D6 | PARTIAL FLOOR PLANS, ROOF & ELEVATIONS W/ OPT. EXTENDED SCREENED-IN COVERED PATIO 'D' |
| ARCHITECTURAL DETAILS | |
| AD1 | ARCHITECTURAL DETAILS |
| AD2 | ARCHITECTURAL DETAILS |
| AD3 | ARCHITECTURAL DETAILS |
| AD4 | ARCHITECTURAL DETAILS |
| AD5 | ARCHITECTURAL DETAILS |
| AD6 | ARCHITECTURAL DETAILS |
| AD7 | ARCHITECTURAL DETAILS |
| AD8 | ARCHITECTURAL DETAILS |



NORTH CAROLINA 50' SERIES

KB HOME
NORTH CAROLINA DIVISION

4518 S. MIAMI BLVD.
SUITE 180
DURHAM, NC 27703
TEL: (919) 768-7988
FAX: (919) 472-0582

2018 NORTH CAROLINA STATE BUILDING CODES

ISSUE DATE: 12/13/19
PROJECT No.: 1350999:57
DIVISION MGR.: MP

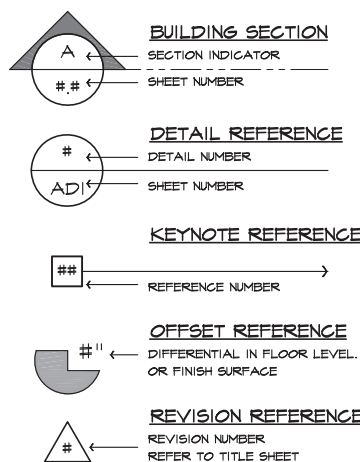
- REVISIONS:
- 1 VENTILATION NC2008NCP/ 01/17/20 - KBA
 - 2 FRAMEWALK NC2009NCP - 03/24/20 - KBA
 - 3 ADD NOTE TO TS NC2003NCP - 10/06/20 - KBA

| | |
|---|--|
| APPLICABLE CODES: | |
| 2018 NORTH CAROLINA STATE BUILDING CODE; RESIDENTIAL CODE, INCLUDING REFERENCED CODES AND STANDARDS | |
| PROJECT DESCRIPTION: | |
| 1 STORY SINGLE FAMILY DETACHED RESIDENTIAL PLAN W/ 4 ELEVATIONS | |
| OCCUPANCY: | |
| R3 | |
| CONSTRUCTION TYPE: | |
| V - B | |
| CODE ABBREVIATIONS | |
| N.C.-R. | NORTH CAROLINA RESIDENTIAL CODE |
| N.C.-B. | NORTH CAROLINA BUILDING CODE |
| N.C.-M. | NORTH CAROLINA MECHANICAL CODE |
| N.C.-P. | NORTH CAROLINA PLUMBING CODE |
| N.C.-F. | NORTH CAROLINA FUEL GAS CODE |
| N.C.-E. | NORTH CAROLINA ELECTRICAL CODE |
| N.C.-EG. | NORTH CAROLINA ENERGY CODE |
| N.E.C. | NATIONAL ELECTRICAL CODE |
| I.C.B.O. | INTERNATIONAL CONFERENCE OF BUILDING OFFICIALS |
| A.S.T.M. | AMERICAN SOCIETY FOR TESTING MATERIALS |
| N.F.P.A. | NATIONAL FIRE PROTECTION ASSOCIATION |
| A.N.S.I. | AMERICAN NATIONAL STANDARDS INSTITUTE |
| I.E.C.C. | INTERNATIONAL ENERGY CONSERVATION CODE |
| I.C.C. | INTERNATIONAL CODE COUNCIL |
| U.L. | UNDERWRITERS LABORATORIES, INC. |

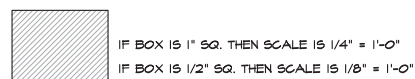
ABBREVIATIONS

| | | | | | |
|------------|-----------------------|---------|----------------------------------|---------|------------------------|
| ABV. | ABOVE | G.F.I. | GROUND-FAULT CIRCUIT INTERRUPTER | R.O. | ROUGH OPENING |
| A/C | AIR CONDITIONING | S & P | S & P | S & P | SHELF AND POLE |
| ADJ. | ADJUSTABLE | S.C. | GALVANIZED IRON | S.C. | SOLID CORE |
| ALT. | ALTERNATE | S.D. | SMOKE DETECTOR | S.D. | SMOKE DETECTOR |
| AMP. | AMPERAGE | SEC. | SECTION | SEC. | SECTION |
| BD. | BOARD | S.H. | SINGLE HUNG | S.H. | SINGLE HUNG |
| CL. | CENTER LINE | SHT. | SHEET | SHT. | SHEET |
| CAB. | CABINET | SHTS. | SHEATHING | SHTS. | SHEATHING |
| CLG. | CEILING | SHWR. | SHOWER | SHWR. | SHOWER |
| CLR. | CLEAR | SIM. | SIMILAR | SIM. | SIMILAR |
| CONC. | CONCRETE | SL. | SLIDING | SL. | SLIDING |
| CPT. | CARPET | SL. GL. | SLIDING GLASS | SL. GL. | SLIDING GLASS |
| C.T. | CERAMIC TILE | STD. | STANDARD | STD. | STANDARD |
| D. | DRYER | S.V. | SHEET VINYL | S.V. | SHEET VINYL |
| DBL. | DOUBLE | TEMP. | TEMPERED GLASS | TEMP. | TEMPERED GLASS |
| D.G. | DUAL GLAZED | THK. | THICK | THK. | THICK |
| DIA. | DIAMETER | T.O.C. | TOP OF CURB | T.O.C. | TOP OF CURB |
| DIM. | DIMENSION | T.O.P. | TOP OF PLATE | T.O.P. | TOP OF PLATE |
| DISP. | DISPOSAL | T.O.S. | TOP OF SLAB | T.O.S. | TOP OF SLAB |
| D.L. | DIVIDED LIGHT | TYP. | TYPICAL | TYP. | TYPICAL |
| DP. | DEEP | U.N.O. | UNLESS NOTED OTHERWISE | U.N.O. | UNLESS NOTED OTHERWISE |
| DR. | DOOR | V.P. | VAPOR PROOF | V.P. | VAPOR PROOF |
| D.S. | DOWNSPOUT | W. | WASHER | W. | WASHER |
| DTL. | DETAIL | W/ | WITH | W/ | WITH |
| D.W. | DISHWASHER | WD. | WOOD | WD. | WOOD |
| EA. | EACH | WIN. | WINDOW | WIN. | WINDOW |
| ELEV. | ELEVATION | W/H | WATER HEATER | W/H | WATER HEATER |
| EQ. | EQUAL | W/I. | WROUGHT IRON | W/I. | WROUGHT IRON |
| EXH. | EXHAUST | W.P. | WEATHER PROOF | W.P. | WEATHER PROOF |
| EXT. | EXTERIOR | | | | |
| FAU. | FORCED AIR UNIT | | | | |
| F.C. | FIBER CEMENT | | | | |
| F.G./F.X. | FIXED GLASS | | | | |
| F.G. | FUEL GAS | | | | |
| FIN. | FINISH | | | | |
| FLR. | FLOOR | | | | |
| FLR. LINE | FLOOR LINE | | | | |
| FLUOR. | FLUORESCENT | | | | |
| FR. DR. | FRENCH DOOR | | | | |
| F.M.C. | FLOOR MATERIAL CHANGE | | | | |
| FTG. | FOOTING | | | | |
| GA. | GAUGE | | | | |
| GAR. DISP. | GARBAGE DISPOSAL | | | | |

ARCH. SYMBOLS



SCALE NOTE



CONSULTANTS

OWNER :
KB HOME
NORTH CAROLINA DIVISION
4518 S. MIAMI BLVD., SUITE 180
DURHAM, NC 27703
TEL: (919) 768-7988
FAX: (919) 472-0582

STRUCTURAL ENGINEER :
SUMMIT ENGINEERING
120 PENMARQ DRIVE, SUITE 108
RALEIGH, NC 27605
TEL: (919) 390-4441
FAX: (919) 390-4443

TRUSS DESIGN
BUILDERS FIRST SOURCE

SQUARE FOOTAGE

| PLAN 150.1446-R | | |
|---------------------------------|------|---------|
| | 1446 | SQ. FT. |
| FIRST FLOOR AREA | | |
| TOTAL AREA | 1446 | SQ. FT. |
| GARAGE AREA | | |
| PORCH AREA(S) | 422 | SQ. FT. |
| ELEVATION 'A' | 50 | SQ. FT. |
| ELEVATION 'B' | 50 | SQ. FT. |
| ELEVATION 'C' | 121 | SQ. FT. |
| ELEVATION 'D' | 121 | SQ. FT. |
| OPTIONS: | | |
| PATIO AREA(S) | 100 | SQ. FT. |
| COVERED PATIO | 100 | SQ. FT. |
| EXTENDED COVERED PATIO | 200 | SQ. FT. |
| SCREENED-IN COVERED PATIO | 100 | SQ. FT. |
| EXTENDED SCREENED-IN COV. PATIO | 200 | SQ. FT. |
| DECK AREA(S) | | |
| OPEN DECK | 144 | SQ. FT. |
| EXTENDED OPEN DECK | 144 | SQ. FT. |
| SCREENED-IN DECK | 240 | SQ. FT. |
| EXTENDED SCREENED-IN DECK | 240 | SQ. FT. |

NOTES

- 3 ALL EXPOSED PORTIONS OF CONCRETE SLAB FOUNDATIONS ARE TO BE 'FARGED'.

CODE INFORMATION

REVISION LIST

| DELTA | DATE | SHEETS REVISED | LOG NUMBER |
|-------|----------|----------------------------------|------------|
| 2 | 09/24/20 | TS, 1.1, 1.2, 1.3, 4.1, 5.1, 5.2 | NC2009NCP |

PLAN:
150.1446-R

SHEET:
TS

SPEC. LEVEL 1
RALEIGH-DURHAM
50' SERIES



**NORTH CAROLINA
50' SERIES**

KB HOME
NORTH CAROLINA DIVISION

4518 S. MIAMI BLVD.
SUITE 180
DURHAM, NC 27703
TEL: (919) 768-7988
FAX: (919) 472-0582

**2018 NORTH
CAROLINA STATE
BUILDING
CODES**

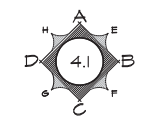
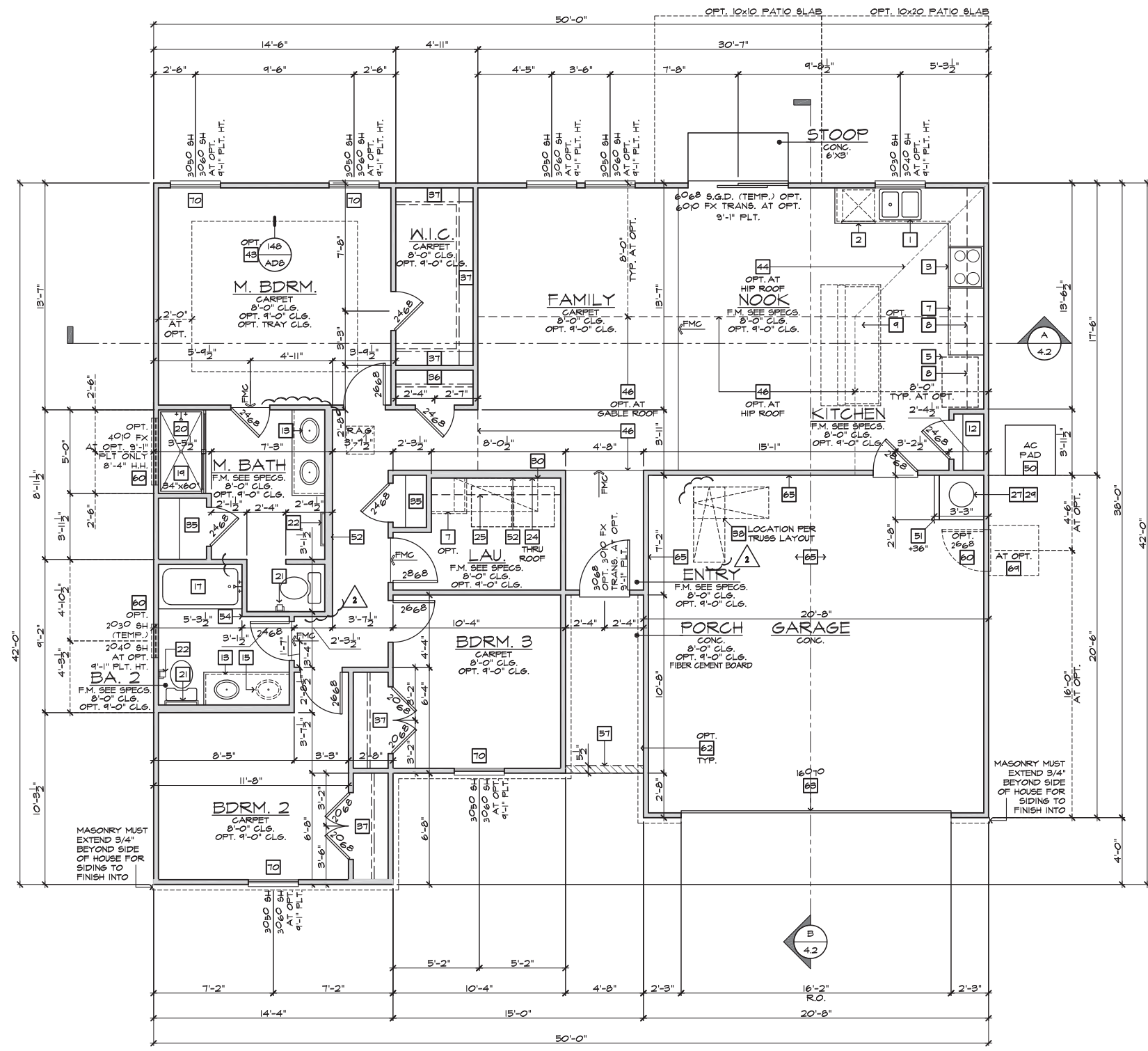
ISSUE DATE: 12/13/19
PROJECT No.: 1350999-57
DIVISION MGR.: MP
REVISIONS:

- 1 VENTILATION NC2008NCP/ 01/17/20 /KBA
- 2 FRAMEWALK NC20019NCP / 03/24/20 - KBA

PLAN:
150.1446-R
SHEET:
1.1

**SPEC. LEVEL 1
RALEIGH-DURHAM
50' SERIES**

- # FLOOR PLAN NOTES**
- NOTE: NOT ALL KEY NOTES APPLY.
1. SINK - GARBAGE DISPOSAL OPTIONAL - VERIFY DIMENSIONS WITH MANUFACTURERS' SPECS
 2. DISHWASHER - PROVIDE AIR GAP - VERIFY SPACING & DIMENSIONS PER MANUFACTURERS' SPECS
 3. SLIDE-IN RANGE/OVEN COMBINATION W/ BUILT-IN NON-VENTED HOOD W/LIGHT & FAN - VERIFY WITH MANUFACTURERS' SPECS
 4. 30" COOKTOP W/ BUILT-IN VENTED HOOD W/ LIGHT & FAN VERIFY WITH MANUFURS' SPECS
 5. 34" CLEAR REFRIGERATOR SPACE W/ OPTIONAL CABINETS ABOVE - OPT. PLUMBING FOR ICEMAKER (RECESSED IN WALL)
 6. COMBINATION DOUBLE OVEN OR OVEN/MICROWAVE OVEN OR OVEN VERIFY DIMENSIONS WITH MANUFACTURERS' SPECS
 7. BASE CABINETS - REFER TO INTERIOR ELEVATIONS
 8. UPPER CABINETS - REFER TO INTERIOR ELEVATIONS
 9. ISLAND CABINET - REFER TO INTERIOR ELEVATIONS
 10. MIN. 12" BAR TOP/ BREAKFAST BAR
 11. DESK AREA - REFER TO INTERIOR ELEVATIONS
 12. BUILT-IN PANTRY (15" DEEP OR U.N.O.)
 13. SINK CABINET(S) - REFER TO INTERIOR ELEVATIONS
 14. SINK CABINET W/ EXTENDED VANITY & KNEE SPACE BELOW - REFER TO INTERIOR ELEVATIONS
 15. OPT. SINK - REFER TO INTERIOR ELEVATIONS.
 16. KNEE SPACE - REFER TO INTERIOR ELEVATIONS
 17. PRE-FAB. TUB/SHOWER COMBO W/ FIBERGLASS MAINSCOT TO T2" - VERIFY DIMENSIONS W/ MANUF'S SPECS
 18. OVAL TUB - VERIFY DIMENSIONS WITH MANUF'S SPECS.
 19. PRE-FAB. SHOWER PAN W/ 30" MIN. CLR. INSIDE & MAINSCOT TO T2" - VERIFY DIMENSIONS W/ MANUF'S SPECS
 20. SHATTERPROOF (TEMPERED) GLASS SHOWER ENCLOSURE.
 21. TOWEL BAR - PROVIDE 2x SOLID BLK'S IN WALL
 22. TOILET PAPER HOLDER - PROVIDE 2x SOLID BLK'S IN WALL
 23. RECESSED, MIRRORED MEDICINE CABINET
 24. WASHER & DRYER: - PROVIDE WATER & WASTE FOR WASHER - RECESS WASHER CONTROL VALVES IN WALL - VENT DRYER TO OUTSIDE AIR - ACCOMMODATE APPL. TO BE LOCATED WASHER AT LEFT AND DRYER AT RIGHT.
 25. 12" SHELF PER SPECS
 26. OPT. LAUNDRY SINK - REFER TO INTERIOR ELEV'S
 27. WATER HEATER LOCATION: - FOR GAS - LOCATE ON 18" HIGH PLATFORM - FOR INTERIOR LOCATION - PROVIDE PAN & DRAIN. (REFER TO T5/AD4)
 28. RESERVED
 29. MAIN LINE SHUT-OFF VALVE AND TEMP. & PRESSURE RELIEF VALVE
 30. FAU LOCATION (REFER TO DETAIL B8/AD5)
 31. RESERVED
 32. LISTED FACTORY-BUILT GAS FIRED DEC. APPLIANCE (REF. B0/AD4) - INSTALL PER MFR. SPECS
 33. HEARTH TO BE INSTALLED PER FACTORY-BUILT FIREPLACE LISTING
 34. GAS APPLIANCE B' VENT FROM BELOW
 35. LINEN PER SPECS (15" DEEP OR U.N.O.)
 36. COAT CLOSET W/ SHELF & POLE (REFER TO DETAILS/B/AD4)
 37. WARDROBE W/ SHELF & POLE (REFER TO DETAILS/B/AD4)
 38. 22"x30" MIN. ATTIC ACCESS 25"x54" FULL DOWN LADDER R.O. ATTIC ACCESS TO BE PROTECTED
 39. LINE OF WALL BELOW
 40. DUCT CHASE
 41. LINE OF FLOOR ABOVE
 42. LINE OF FLOOR BELOW
 43. LINE OF OPTIONAL TRAY CEILING (REFER TO DETAIL 42/AD5)
 44. LINE OF HIP AT OPTIONAL VOLUME CEILING
 45. LINE OF RIDGE AT OPTIONAL VOLUME CEILING
 46. CEILING BREAK
 47. STAIR TREADS & RISERS: - MIN. 10" TREAD & MAX. T 3/4" RISER - (REFER TO DETAIL B1-B2/AD5)
 48. MIN. 42" HIGH GUARDRAIL (REFER TO DETAIL B6/AD5)
 49. 34" TO 38" HIGH HANDRAIL (REFER TO DETAIL B3/AD5)
 50. A/C PAD LOCATION
 51. LOW WALL - REFER TO PLAN FOR HEIGHT
 52. 2x6 STUD WALL
 53. 2x6 BALLOON FRAMED WALL PER STRUCTURAL
 54. DEL. 2x4 WALL PER PLAN
 55. INTERIOR SHELF-SEE PLAN FOR HT.
 56. MEDIA NICHE
 57. FLAT SOFFIT - SEE ELEV. FOR HST.
 58. ARCHED SOFFIT - SEE ELEV. FOR HST.
 59. WINDOW SEAT
 60. OPT. DOOR/ WINDOW
 61. PRE-MANUFACTURED DECORATIVE COLUMN (SIZE, SEE ELEV.) PYLON OR EQ. SURROUNDING STRUCTURAL POST.
 62. BRICK / STONE VENEER - REFER TO ELEVATIONS VENEER TO COMPLY WITH THE N.C.-R.
 63. SECTIONAL GARAGE DOOR PER SPECS
 64. MIN. 1/2" GYP. BD. ON CEILING & WALLS @ USEABLE SPACE UNDER STAIR.
 65. GARAGE SHALL BE SEPARATED FROM THE RESIDENCE AND ITS ATTIC AREA BY NOT LESS THAN 1/2" GYP. BD. @ GARAGE SIDE WALLS & 5/8" UNDER LIVING AREA U.N.O.
 66. RESERVED
 67. 5/8" TYPE-X GYP. IN GARAGE BETWEEN CEILING & FLOOR ABV.
 68. P.T. POST W/ WRAP
 69. CONCRETE STOOP, 36"x36" STANDARD SLOPE 1/4" PER FT. MIN.
 70. EGRESS WINDOW
 71. PROVIDE ADDITIONAL RISER(S) AT OPTIONAL PLATE HT.
 72. MDF TOP
 73. PLUMBING DROP FROM ABOVE
 74. ADJUST OPENING AT OPTION TO FIT THE DOOR SIZE SHOWN
 75. WINDOW LEDGE: HEIGHT & WIDTH OF OPENING TO EXTEND 6" BEYOND WINDOW(S) ON ALL SIDES U.N.O.
 76. SITE-BUILT COLUMN - SEE ELEVATION FOR TYPE
 77. CONCRETE SLAB. SLOPE 1/4" PER FT. MIN. SEE PLAN FOR SIZE.
 78. RESERVED
 79. SLOPING LOW WALL 38" ABOVE ADJACENT TREADS
 80. 20 MIN. FIRE-RATED DOOR



INTERIOR KEY

| SQUARE FOOTAGE | |
|---|---|
| PLAN 150.1446-R | |
| FIRST FLOOR AREA | 1446 SQ. FT. |
| TOTAL AREA | 1446 SQ. FT. |
| GARAGE AREA | 422 SQ. FT. |
| PORCH AREA(S) | 50 SQ. FT. |
| ELEVATION 'A' | 50 SQ. FT. |
| ELEVATION 'B' | 127 SQ. FT. |
| ELEVATION 'C' | 127 SQ. FT. |
| ELEVATION 'D' | 127 SQ. FT. |
| OPTIONS: | |
| PATIO AREA(S) | COVERED PATIO 100 SQ. FT. |
| | EXTENDED COVERED PATIO 200 SQ. FT. |
| | SCREENED-IN COVERED PATIO 100 SQ. FT. |
| | EXTENDED SCREENED-IN COV. PATIO 200 SQ. FT. |
| DECK AREA(S) | |
| | OPEN DECK 144 SQ. FT. |
| | EXTENDED OPEN DECK 240 SQ. FT. |
| | SCREENED-IN DECK 144 SQ. FT. |
| | EXTENDED SCREENED-IN DECK 240 SQ. FT. |
| PLATE NOTES | |
| 8'-1" PLATE NOTES | |
| • WINDOW HEADER HEIGHT: | 6'-8" U.N.O. |
| • 2ND FLOOR WINDOW HDR. HEIGHT: | 7'-0" U.N.O. |
| • ENTRY DOOR HEIGHT: | 6'-8" U.N.O. |
| • SLIDING GLASS DOOR HEIGHT: | 6'-8" (TEMP.) |
| • INTERIOR SOFFIT HEIGHT: | 7'-4" U.N.O. |
| • TRAY CEILING: | 7' RISE INTO TRUSS U.N.O. |
| • INTERIOR DOOR HEIGHT: | 6'-8" U.N.O. |
| 9'-1" PLATE NOTES | |
| • WINDOW HEADER HEIGHT 1st FL.: | 8'-0" U.N.O. |
| • WINDOW HEADER HEIGHT 2nd FL.: | 7'-8" U.N.O. |
| • 4010 WINDOW OVER TUB HDR. HGT.: | 8'-4" U.N.O. |
| • ENTRY DOOR HEIGHT: | 6'-8" U.N.O. |
| • SLIDING GLASS DOOR HEIGHT: | 6'-8" (TEMP.) |
| • INTERIOR SOFFIT HEIGHT: | 8'-0" U.N.O. |
| • TRAY CEILING: | 7' RISE INTO TRUSS U.N.O. |
| • INTERIOR DOOR HEIGHT: | 6'-8" U.N.O. |
| GENERAL PLAN NOTES | |
| ALL CEILING HEIGHTS PER SECTION AND ELEVATION PLATE HEIGHTS, U.N.O. | |
| ALL INTERIOR DOORS TO BE HOLLOW CORE 1 3/8" THICK, U.N.O. (REFER TO PLAN FOR SIZE). | |
| ALL GARAGE SERVICE DOORS TO BE HOLLOW CORE EXTERIOR GRADE (REFER TO PLAN FOR SIZE). | |
| ALL HOUSE TO GARAGE DOORS TO BE 20-MINUTE FIRE-RATED (REFER TO PLAN FOR SIZE). | |
| ALL ENTRY DOORS AND EXTERIOR FRENCH DOORS TO BE SOLID CORE 1 3/4" THICK (REFER TO PLAN FOR SIZE). | |
| ALL FLOOR MATERIAL CHANGES TO OCCUR AT CENTER OF DOOR JAMBES, U.N.O. | |
| STAIR DATA NOTES | |
| FIRST FLOOR WITH 8'-4" PLATE HEIGHT: | |
| 14" DEEP T.J.I. FLOOR JOISTS WITH 3/4" T&G DECKING. | |
| 14" TREADS AT 10" EACH | |
| 15 RISERS AT 7-1/8" EACH | |
| FIRST FLOOR WITH 9'-4" PLATE HEIGHT: | |
| 14" DEEP T.J.I. FLOOR JOISTS WITH 3/4" T&G DECKING. | |
| 15 TREADS AT 10" EACH | |
| 16 RISERS AT 7-3/4" EACH | |

FLOOR PLAN 'A'

SCALE 1/4"=1'-0" (22"x34") - 1/8"=1'-0" (11"x17")

BASIC PLAN

These designs and drawings are CONFIDENTIAL, and the exclusive property of KB Home Corporation, and are not to be disclosed without the express permission of KB Home Corporation. Copyright 2014 © KB Home Corporation, all rights reserved.



**NORTH CAROLINA
50' SERIES**

KB HOME
NORTH CAROLINA DIVISION

4518 S. MIAMI BLVD.
SUITE 180
DURHAM, NC 27703
TEL: (919) 768-7988
FAX: (919) 472-0582

**2018 NORTH
CAROLINA STATE
BUILDING
CODES**

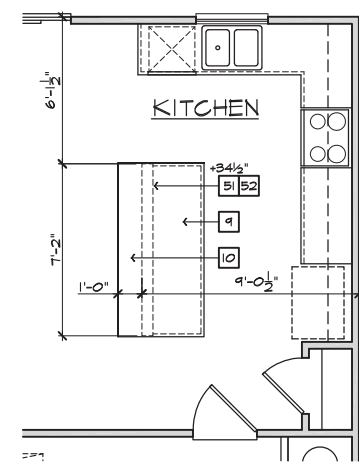
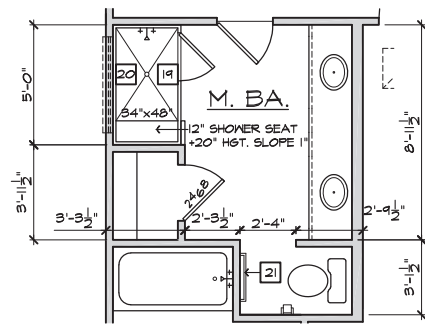
ISSUE DATE: 12/13/19
PROJECT No.: 1350999:57
DIVISION MGR.: MP
REVISIONS:

- 1 VENTILATION NC2008NCP / 01/17/20 / KBA
- 2 FRAMWALK NC20019NCP - 03/24/20 - KBA

PLAN:
150.1446-R
SHEET:
1.3

**SPEC. LEVEL 1
RALEIGH-DURHAM
50' SERIES**

- # FLOOR PLAN NOTES**
- NOTE: NOT ALL KEY NOTES APPLY.
1. SINK - GARBAGE DISPOSAL OPTIONAL - VERIFY DIMENSIONS WITH MANUFACTURERS' SPECS
 2. DISHWASHER - PROVIDE AIR GAP - VERIFY SPACING & DIMENSIONS PER MANUFACTURERS' SPECS
 3. SLIDE-IN RANGE/OVEN COMBINATION W/ BUILT-IN NON-VENTED HOOD W/LIGHT & FAN - VERIFY WITH MANUFACTURERS' SPECS
 4. 30" COOKTOP W/ BUILT-IN VENTED HOOD W/ LIGHT & FAN - VERIFY WITH MANUFRS' SPECS
 5. 34" CLEAR REFRIGERATOR SPACE W/ OPTIONAL CABINETS ABOVE - OPT. PLUMBING FOR ICEMAKER (RECESSED IN WALL)
 6. COMBINATION DOUBLE OVEN OR OVEN/MICROWAVE OVEN OR OVEN VERIFY DIMENSIONS WITH MANUFACTURERS' SPECS
 7. BASE CABINETS - REFER TO INTERIOR ELEVATIONS
 8. UPPER CABINETS - REFER TO INTERIOR ELEVATIONS
 9. ISLAND CABINET - REFER TO INTERIOR ELEVATIONS
 10. MIN. 12" BAR TOP/ BREAKFAST BAR
 11. DESK AREA - REFER TO INTERIOR ELEVATIONS
 12. BUILT-IN PANTRY (15" DEEP OR U.N.O.)
 13. SINK CABINET(S) - REFER TO INTERIOR ELEVATIONS
 14. SINK CABINET W/ EXTENDED VANITY & KNEE SPACE BELOW - REFER TO INTERIOR ELEVATIONS
 15. OPT. SINK - REFER TO INTERIOR ELEVATIONS.
 16. KNEE SPACE - REFER TO INTERIOR ELEVATIONS
 17. PRE-FAB. TUB/SHOWER COMBO W/ FIBERGLASS MAINSCOT TO T2" - VERIFY DIMENSIONS W/ MANUF'S SPECS
 18. OVAL TUB - VERIFY DIMENSIONS WITH MANUF'S SPECS.
 19. PRE-FAB. SHOWER PAN W/ 30" MIN. CLR. INSIDE & MAINSCOT TO T2" - VERIFY DIMENSIONS W/ MANUF'S SPECS
 20. SHATTERPROOF (TEMPERED) GLASS SHOWER ENCLOSURE.
 21. TOWEL BAR - PROVIDE 2x SOLID BLK'G IN WALL
 22. TOILET PAPER HOLDER - PROVIDE 2x SOLID BLK'G IN WALL
 23. RECESSED, MIRRORED MEDICINE CABINET
 24. WASHER & DRYER: - PROVIDE WATER & WASTE FOR WASHER - RECESS WASHER CONTROL VALVES IN WALL - VENT DRYER TO OUTSIDE AIR - ACCOMMODATE APPLIANCES TO BE LOCATED WASHER AT LEFT AND DRYER AT RIGHT.
 25. 12" SHELF PER SPECS
 26. OPT. LAUNDRY SINK - REFER TO INTERIOR ELEV'S
 27. WATER HEATER LOCATION: - FOR GAS - LOCATE ON 18" HIGH PLATFORM - FOR INTERIOR LOCATION - PROVIDE PAN & DRAIN. (REFER TO T5/AD4)
 28. RESERVED
 29. MAIN LINE SHUT-OFF VALVE AND TEMP. & PRESSURE RELIEF VALVE
 30. F.A.U. LOCATION (REFER TO DETAIL B6/AD5)
 31. RESERVED
 32. LISTED FACTORY-BUILT GAS FIRED DEC. APPLIANCE (REF. B0/AD4) - INSTALL PER MFR. SPECS
 33. HEARTH TO BE INSTALLED PER FACTORY-BUILT FIREPLACE LISTING
 34. GAS APPLIANCE B' VENT FROM BELOW
 35. LINEN PER SPECS (15" DEEP OR U.N.O.)
 36. COAT CLOSET W/ SHELF & POLE (REFER TO DETAILT3/AD4)
 37. WARDROBE W/ SHELF & POLE (REFER TO DETAILT3/AD4)
 38. 22"x30" MIN. ATTIC ACCESS 25"x54" FULL DOWN LADDER R.O. ATTIC ACCESS TO BE PROTECTED
 39. LINE OF WALL BELOW
 40. DUCT CHASE
 41. LINE OF FLOOR ABOVE
 42. LINE OF FLOOR BELOW
 43. LINE OF OPTIONAL TRAY CEILING (REFER TO DETAIL 42/AD5)
 44. LINE OF HIP AT OPTIONAL VOLUME CEILING
 45. LINE OF RIDGE AT OPTIONAL VOLUME CEILING
 46. CEILING BREAK
 47. STAIR TREADS & RISERS: - MIN. 10" TREAD & MAX. T 3/4" RISER - (REFER TO DETAIL B1-B2/AD5)
 48. MIN. 42" HIGH GUARDRAIL (REFER TO DETAIL B6/AD5)
 49. 34" TO 38" HIGH HANDRAIL (REFER TO DETAIL B3/AD5)
 50. A/C PAD LOCATION
 51. LOW WALL - REFER TO PLAN FOR HEIGHT
 52. 2x6 STUD WALL
 53. 2x6 BALLOON FRAMED WALL PER STRUCTURAL
 54. DEL. 2x4 WALL PER PLAN
 55. INTERIOR SHELF-SEE PLAN FOR HT.
 56. MEDIA NICHE
 57. FLAT SOFFIT - SEE ELEV. FOR HGT.
 58. ARCHED SOFFIT - SEE ELEV. FOR HGT.
 59. WINDOW SEAT
 60. OPT. DOOR/ WINDOW
 61. PRE-MANUFACTURED DECORATIVE COLUMN (SIZE, SEE ELEV.) PYPON OR EQ. SURROUNDING STRUCTURAL POST.
 62. BRICK / STONE VENEER - REFER TO ELEVATIONS VENEER TO COMPLY WITH THE N.C.-R.
 63. SECTIONAL GARAGE DOOR PER SPECS
 64. MIN. 1/2" GYP. BD. ON CEILINGS & WALLS @ USEABLE SPACE UNDER STAIR.
 65. GARAGE SHALL BE SEPARATED FROM THE RESIDENCE AND ITS ATTIC AREA BY NOT LESS THAN 1/2" GYP. BD. @ GARAGE SIDE WALLS & 5/8" UNDER LIVING AREA U.N.O.
 66. RESERVED
 67. 5/8" TYPE-X GYP. IN GARAGE BETWEEN CEILING & FLOOR ABV.
 68. P.T. POST W/ WRAP
 69. CONCRETE STOOP: 36"x36" STANDARD SLOPE 1/4" PER FT. MIN.
 70. EGRESS WINDOW
 71. PROVIDE ADDITIONAL RISER(S) AT OPTIONAL PLATE HT.
 72. MDF TOP
 73. PLUMBING DROP FROM ABOVE
 74. ADJUST OPENING AT OPTION TO FIT THE DOOR SIZE SHOWN
 75. WINDOW LEDGE: HEIGHT & WIDTH OF OPENING TO EXTEND 6" BEYOND WINDOW(S) ON ALL SIDES U.N.O.
 76. SITE-BUILT COLUMN - SEE ELEVATION FOR TYPE
 77. CONCRETE SLAB. SLOPE 1/4" PER FT. MIN. SEE PLAN FOR SIZE.
 78. RESERVED
 79. SLOPING LOW WALL 38" ABOVE ADJACENT TREADS
 80. 20 MIN. FIRE-RATED DOOR



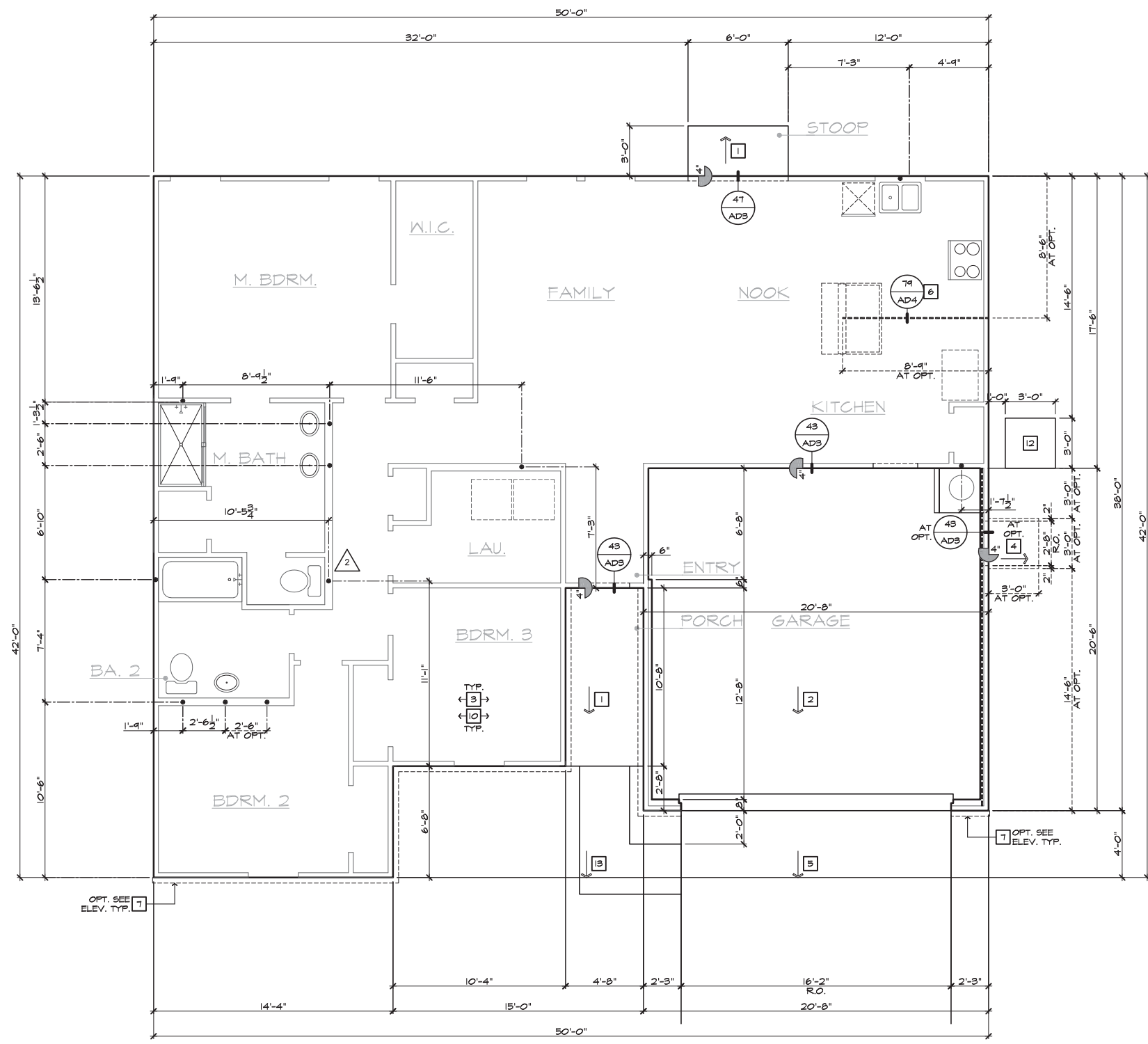
FLOOR PLAN OPTIONS

SCALE: 1/4"=1'-0" (22"x34") - 1/8"=1'-0" (11"x17")

These designs and drawings are CONFIDENTIAL, and the exclusive property of KB Home Corporation, and are not to be disclosed without the express permission of KB Home Corporation. Copyright 2014 © KB Home Corporation, all rights reserved.



- # SLAB PLAN NOTES**
- NOTE: NOT ALL KEY NOTES APPLY.
1. CONCRETE PATIO/PORCH SLAB PER STRUCTURAL- SLOPE 1/4" PER FT. MIN.
 2. CONCRETE GARAGE SLAB PER STRUCTURAL- SLOPE 1/8" PER 1'-0" MIN. TOWARD DOOR OPENING.
 3. CONCRETE FOUNDATION PER STRUCTURAL.
 4. CONCRETE STOOP, 36"x36" STANDARD SLOPE 1/4" PER FT. MIN.
 5. CONCRETE DRIVEWAY SLOPE 1/4" PER FT. MIN. AWAY FROM GARAGE DOOR OPENING.
 6. PROVIDE ELECTRICAL CONDUIT UNDER SLAB AT ISLAND. VERIFY LOCATION.
 7. 5" BRICK LEDGE FOR MASONRY VENEER.
 8. 3" DIAMETER CONCRETE FILLED PIPE BOLLARD 36" HIGH WITH MIN. 12" EMBEDMENT INTO CONCRETE.
 9. REFER TO CIVIL DRAWINGS FOR ALL FINISH SURFACE ELEVATIONS.
 10. VERIFY ALL PLUMBING STUB DIMENSIONS SHOWN HERE PRIOR TO POUR OF SLAB.
 11. 4" MIN. Ø 1/4" MAX. TO HARD SURFACE.
 12. A/C PAD. VERIFY LOCATION.
 13. 36" WIDE WALKWAY- SLOPE 1/4" PER FT. MIN.



SLAB INTERFACE PLAN 'A'
 SCALE 1/4"=1'-0" (22"x34") - 1/8"=1'-0" (11"x17")

BASIC PLAN AT SLAB-ON-GRADE

**NORTH CAROLINA
50' SERIES**

KB HOME
 NORTH CAROLINA DIVISION
 4518 S. MIAMI BLVD.
 SUITE 180
 DURHAM, NC 27703
 TEL: (919) 768-7988
 FAX: (919) 472-0582

**2018 NORTH
CAROLINA STATE
BUILDING
CODES**

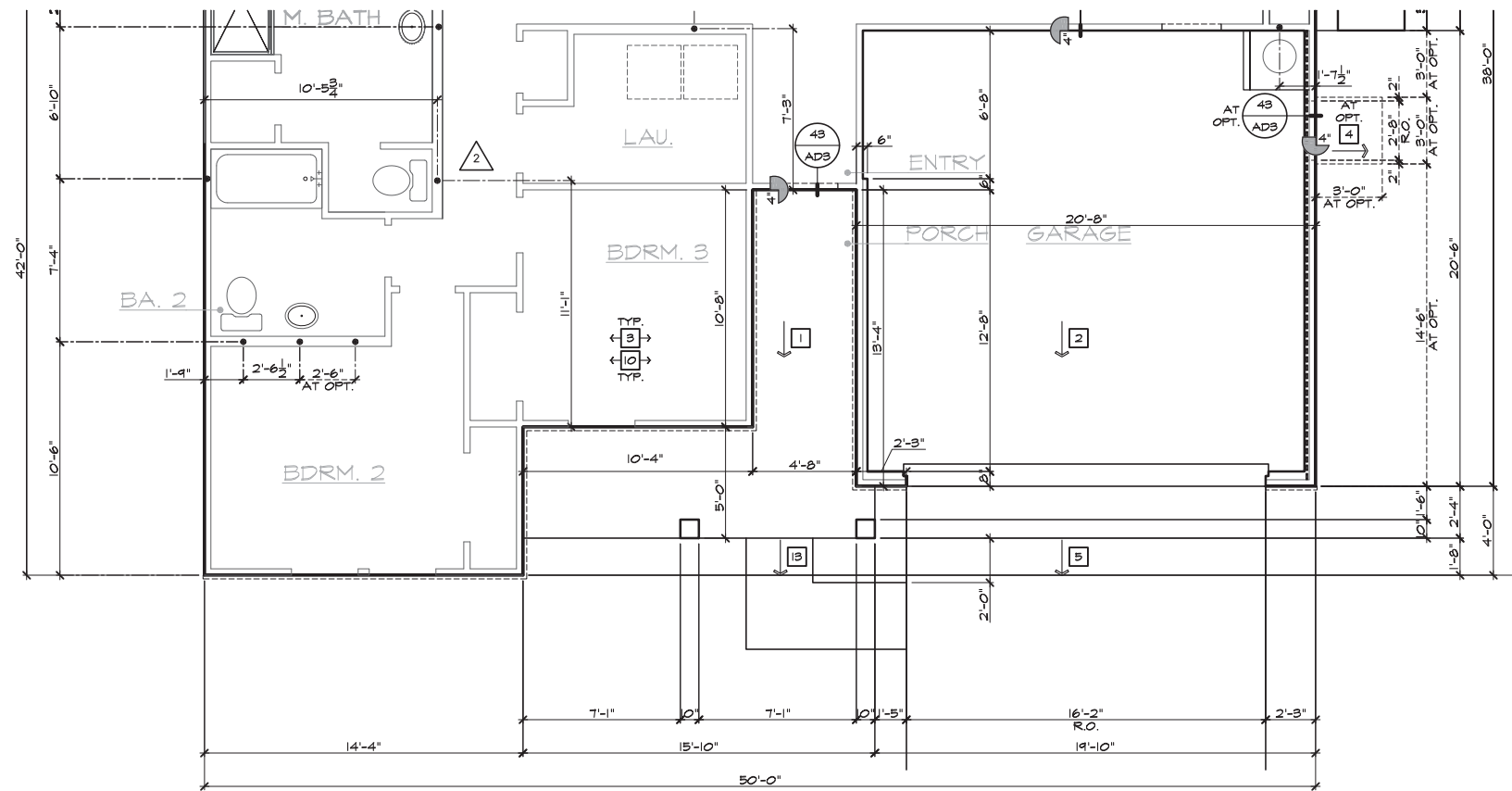
ISSUE DATE: 12/13/19
 PROJECT No.: 1350999:57
 DIVISION MGR.: MP
 REVISIONS:

- 1 VENTILATION
NC2008NCP / 01/17/20 / KBA
- 2 FRAMEWALK
NC20019NCP - 03/24/20 - KBA

PLAN:
150.1446-R
 SHEET:
2.1

**SPEC. LEVEL 1
RALEIGH-DURHAM
50' SERIES**

These designs and drawings are CONFIDENTIAL, and the exclusive property of KB Home Corporation and are not to be disclosed without the express permission of KB Home Corporation. Copyright 2014 © KB Home Corporation, all rights reserved.



PARTIAL SLAB INTERFACE PLAN 'C'

SCALE 1/4"=1'-0" (22"x34") - 1/8"=1'-0" (11"x17")

BASIC PLAN AT SLAB-ON-GRADE

- SLAB PLAN NOTES**
- NOTE: NOT ALL KEY NOTES APPLY.
1. CONCRETE PATIO/PORCH SLAB PER STRUCTURAL- SLOPE 1/4" PER FT. MIN.
 2. CONCRETE GARAGE SLAB PER STRUCTURAL- SLOPE 1/8" PER 1'-0" MIN. TOWARD DOOR OPENING.
 3. CONCRETE FOUNDATION PER STRUCTURAL.
 4. CONCRETE STOOP, 36"x36" STANDARD SLOPE 1/4" PER FT. MIN.
 5. CONCRETE DRIVEWAY SLOPE 1/4" PER FT. MIN. AWAY FROM GARAGE DOOR OPENING.
 6. PROVIDE ELECTRICAL CONDUIT UNDER SLAB AT ISLAND. VERIFY LOCATION.
 7. 5" BRICK LEDGE FOR MASONRY VENEER.
 8. 3" DIAMETER CONCRETE FILLED PIPE BOLLARD 36" HIGH WITH MIN. 12" EMBEDMENT INTO CONCRETE.
 9. REFER TO CIVIL DRAWINGS FOR ALL FINISH SURFACE ELEVATIONS.
 10. VERIFY ALL PLUMBING STUB DIMENSIONS SHOWN HERE PRIOR TO POUR OF SLAB.
 11. 4" MIN. Ø 1/4" MAX. TO HARD SURFACE.
 12. A/C PAD. VERIFY LOCATION.
 13. 36" WIDE WALKWAY- SLOPE 1/4" PER FT. MIN.



NORTH CAROLINA 50' SERIES

KB HOME
 NORTH CAROLINA DIVISION
 4518 S. MIAMI BLVD.
 SUITE 180
 DURHAM, NC 27703
 TEL: (919) 768-7988
 FAX: (919) 472-0582

2018 NORTH CAROLINA STATE BUILDING CODES

ISSUE DATE: 12/13/19
 PROJECT No.: 1350999-57
 DIVISION MGR.: MP
 REVISIONS:

- 1 VENTILATION NC2008NCP / 01/17/20 / KBA
- 2 FRAMEWALK NC20019NCP - 03/24/20 - KBA

PLAN:
150.1446-R
 SHEET:
2.2

**SPEC. LEVEL 1
 RALEIGH-DURHAM
 50' SERIES**

These designs and drawings are CONFIDENTIAL, and the exclusive property of KB Home Corporation and are not to be disclosed without the express permission of KB Home Corporation. Copyright 2014 © KB Home Corporation, all rights reserved.



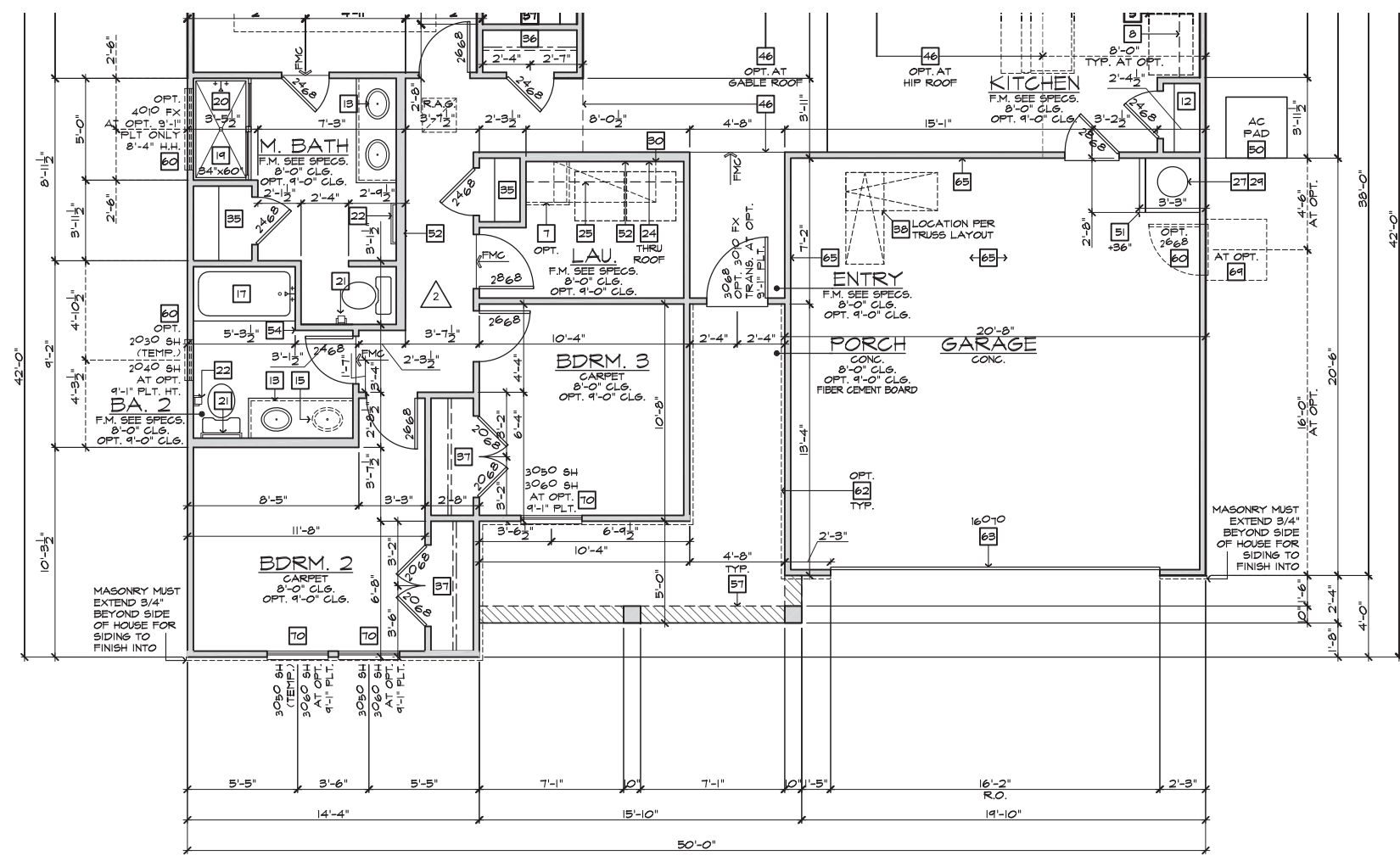
| # | PARTIAL PLAN NOTES |
|--------------------------------|--|
| NOTE: NOT ALL KEY NOTES APPLY. | |
| 27. | WATER HEATER LOCATION - FOR GAS - LOCATE ON 18" HIGH PLATFORM - FOR INTERIOR LOCATION - PROVIDE PAN & DRAIN (REFER TO DETAILS) |
| 28. | WATER HEATER B VENT TO OUTSIDE AIR |
| 29. | MAIN LINE SHUT-OFF VALVE AND TEMP. & PRESSURE RELIEF VALVE |
| 34. | LINE OF WALL BELOW |
| 41. | LINE OF FLOOR ABOVE |
| 42. | LINE OF FLOOR BELOW |
| 48. | MIN. 36" HIGH GUARDRAIL (REFER TO DETAIL SHEETS) |
| 50. | A/C PAD LOCATION |
| 51. | LOW WALL - REFER TO PLAN FOR HEIGHT |
| 52. | 2x6 STUD WALL |
| 54. | DBL. 2x4 WALL PER PLAN |
| 55. | INTERIOR SHELF - REFER TO PLAN FOR HEIGHT |
| 57. | FLAT SOFFIT |
| 58. | ARCHED SOFFIT |
| 60. | OPT. DOOR / WINDOW |
| 61. | PRE-MANUFACTURED DECORATIVE COLUMN (SIZE, SEE ELEV.) FLYCON OR EQ. SURROUNDING STRUCTURAL POST. |
| 62. | BRICK / STONE VENEER - REFER TO ELEVATIONS |
| 63. | SECTIONAL GARAGE DOOR PER SPECS |
| 66. | 3" DIAM. CONCRETE FILLED FIRE BOLLARD 36" HIGH WITH MIN. 12" EMBEDMENT INTO CONCRETE (NOT REQUIRED AT ELECTRIC WATER HEATERS OR FOR APPLIANCES LOCATED OUT OF THE VEHICLE'S NORMAL TRAVEL PATH). |
| 68. | P.T. POST IV WRAP. |
| 70. | EGRESS WINDOW |
| 75. | WINDOW LEDGE - HEIGHT & WIDTH OF OPENING TO EXTEND 6" BEYOND WINDOW(S) ON ALL SIDES UNO. |
| 76. | SITE-BUILT COLUMN - SEE ELEVATION FOR TYPE |
| 77. | CONCRETE SLAB - SLOPE 1/4" PER FT. MIN. SEE PLAN FOR SITE |

**NORTH CAROLINA
50' SERIES**

KB HOME
NORTH CAROLINA DIVISION
4518 S. MIAMI BLVD.
SUITE 180
DURHAM, NC 27703
TEL: (919) 768-7988
FAX: (919) 472-0582

**2018 NORTH
CAROLINA STATE
BUILDING
CODES**

ISSUE DATE: 12/13/19
PROJECT No.: 1350999-57
DIVISION MGR.: MP
REVISIONS:
1 VENTILATION NC2008NCP / 01/17/20 / KBA
2 FRAMEWALK NC20019NCP - 03/24/20 - KBA



PARTIAL FLOOR PLAN 'C'

SCALE 1/4"=1'-0" (22"x34") - 1/8"=1'-0" (11"x17")

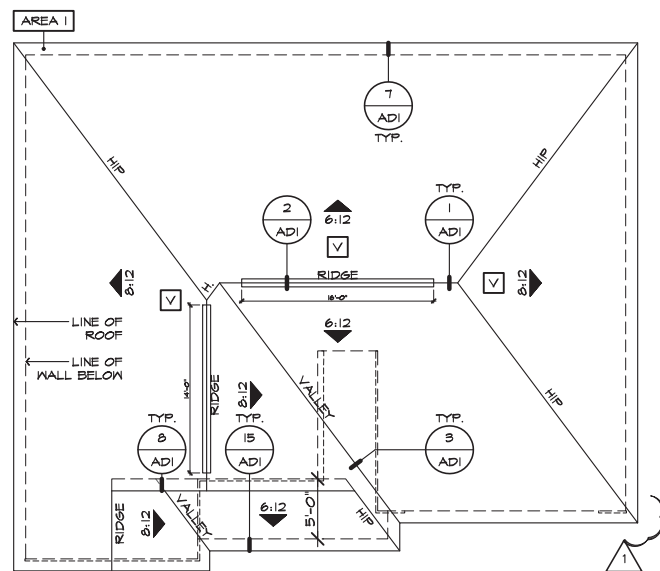
BASIC PLAN

NOTE: REFER TO BASIC FLOOR PLAN FOR INFORMATION NOT SHOWN HERE

PLAN:
150.1446-R
SHEET:
3.C1

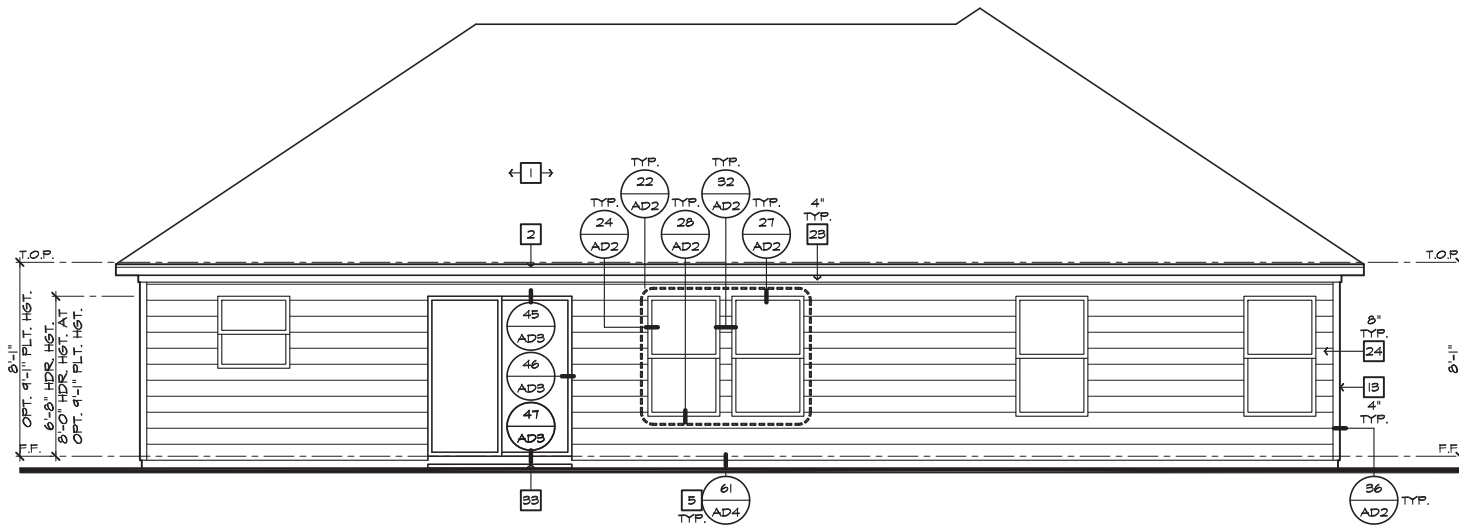
**SPEC. LEVEL 1
RALEIGH-DURHAM
50' SERIES**

These designs and drawings are CONFIDENTIAL, and the exclusive property of KB Home Corporation, and are not to be disclosed without the express permission of KB Home Corporation. Copyright 2014 © KB Home Corporation, all rights reserved.



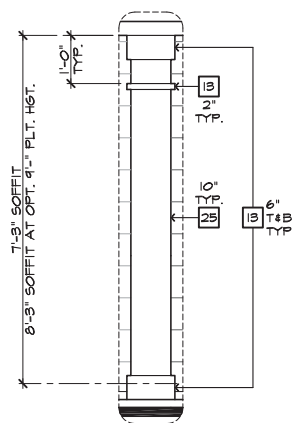
ROOF PLAN 'C'

SCALE 1/8"=1'-0" (22'x34") - 1/16"=1'-0" (11'x17")



REAR ELEVATION 'C'

SCALE 1/4"=1'-0" (22'x34") - 1/8"=1'-0" (11'x17")



DETAIL A

SCALE 1/2"=1'-0"

| # | ELEVATION NOTES |
|---------------------------------------|--|
| NOTE: NOT ALL KEY NOTES APPLY. | |
| 1. | ROOF MATERIAL - REFER TO ROOF NOTES |
| 2. | 2X FASCIA/BARGE BOARD WITH FASCIA CAP |
| 3. | 6:1. FLASHING |
| 4. | 6:1. FLASHING & SADDLE/CRICKET |
| 5. | 6:1. DRIP SCREED |
| 6. | 24"x24" CHIMNEY |
| 7. | DECORATIVE VENT |
| 8. | DECORATIVE CORBEL |
| 9. | DECORATIVE SHUTTERS |
| 10. | PEDIMENT. SEE ELEVATION FOR TYPE |
| 11. | RECESSED ELEMENT |
| 12. | DECORATIVE TRIM FYPON OR EQ. SEE ELEVATION FOR TYPE |
| 13. | TRIM PER SPEC- SEE ELEVATION FOR SIZE |
| 14. | SYNTHETIC MATERIAL |
| 15. | PRE-MANUFACTURED DECORATIVE COLUMN (SIZE, SEE ELEV.) FYPON OR EQ. SURROUNDING STRUCTURAL POST. |
| 16. | SITE-BUILT COLUMN - SEE ELEVATION FOR TYPE |
| 17. | SHAKE SIDING |
| 18. | STONE VENEER PER SPECS |
| 19. | BRICK/MASONRY VENEER PER SPECS |
| 20. | BUILT UP BRICK COLUMN |
| 21. | SOLDIER COURSE |
| 22. | ROWLOCK COURSE |
| 23. | FRIEZE BOARD |
| 24. | SIDING W/ 4" CORNER TRIM PER SPECS |
| 25. | P.T. POST W/ WRAP - SEE STRUCTURAL FOR SIZE |
| 26. | PRE-FAB DECORATIVE TRIM |
| 27. | LIGHT WEIGHT PRECAST STONE TRIM |
| 28. | P.T. LUMBER RAILINGS (+36" U.N.O.) |
| 29. | WRAP |
| 30. | DECORATIVE WINDOW/DOOR TRIM - FYPON OR EQ. SEE ELEVATION FOR SIZE. |
| 31. | BRACKET OR KICKER - FYPON OR EQ. |
| 32. | ENTRY DOOR |
| 33. | CONCRETE STOOP/ PORCH - SEE SLAB INTERFACE PLAN. |
| 34. | SECTIONAL GARAGE DOOR PER SPECS |
| 35. | ALUMINUM WRAP |
| 36. | OPTIONAL DOOR/WINDOW - REFER TO PLAN OPTIONS |
| 37. | OPTIONAL STANDING SEAM METAL ROOF |
| 38. | KEYSTONE |
| 39. | SOLDIER CROWN |
| 40. | JACK SOLDIER COURSE |
| 41. | WATER TABLE |
| 42. | ATRIUM DOOR |
| 43. | PILASTER - SEE ELEVATION FOR TYPE |

| # | ROOF PLAN NOTES 'C' |
|--|--|
| 6:12 | INDICATES ROOF SLOPE AND DIRECTION, U.N.O. |
| ROOF MATERIAL: COMPOSITION SHINGLE | |
| 12" (INCHES) TYPICAL ROOF OVERHANGS AT RAKE, U.N.O. | |
| 12" (INCHES) TYPICAL ROOF OVERHANGS AT EAVE, U.N.O. | |
| LOCATE EAVE/ RAFTER VENTS EQUALLY BALANCED AROUND HOUSE EXCEPT ABOVE SHEARWALL PANELS. | |

| # | ATTIC VENT CALCULATIONS |
|---|-------------------------|
| PROVIDE 1 SQ. IN. OF VENTILATION PER 300 SQ. IN. OF ATTIC SPACE. PROVIDE THAT AT LEAST 50% & NO MORE THAN 80% OF THE REQ. VENTILATING AREA IS PROVIDED BY VENTILATORS LOCATED IN THE UPPER PORTION OF THE ATTIC (HIGH VENTING) AT 3'-0" ABOVE EAVE VENT WITH THE BALANCE BEING PROVIDED BY EAVE VENTS (LOW VENTING) (2018 N.C.-R 806.2) | |
| * CALCULATION BY 1/150, HIGH/LOW VENTING NOT REQUIRED. | |
| APPROXIMATE RIDGE VENT LOCATIONS SHOWN. ACTUAL LOCATIONS TO BE DETERMINED IN THE FIELD. | |

| AREA 1 / MAIN: | |
|-----------------------------|---|
| VENTILATION REQUIRED: | SQ. FT. / 300 6.68 SQ. FT. |
| ATTIC AREA = 1494 | X 144 = 481 SQ. IN. |
| | TOTAL HIGH & LOW = 481 SQ. IN. |
| | X 50% = 474 SQ. IN. |
| VENTILATION PROVIDED: | |
| HIGH | |
| 30 | LF RIDGE VENT(S) AT 10 SQ. IN. / LF. = 540 SQ. IN. |
| (3) | ROOF VENT(S) AT 50 SQ. IN. EA. = 150 SQ. IN. |
| SUB-TOTAL HIGH VENTILATION: | 690 SQ. IN. |
| LOW | |
| 33 | LF VENTILATED SOFFIT AT 6.9 SQ. IN. / LF. = 579 SQ. IN. |
| (0) | ROOF VENT(S) AT 50 SQ. IN. EA. = (0) SQ. IN. |
| TOTAL VENTILATION PROVIDED: | 1269 SQ. IN. |

NOTES:

ALL VENT OPENINGS SHALL BE COVERED WITH 1/4" CORROSION RESISTANT METAL MESH.

FRAMER SHALL BE RESPONSIBLE FOR COORDINATING WITH TRUSS MANUFACTURER TO ACCOMMODATE ALL ATTIC VENTS.

ALL VENTS SHALL BE INSTALLED SO AS TO MAKE THEM WATER-PROOF & WALL MOUNTED LOUVERS SHALL BE SEALED & FLASHED W/ "MOISTOP" IN THE SAME MANNER PRESCRIBED FOR WINDOW INSTALLATION.

PROVIDE APPROVED INSULATION DAMS (BAFFLES) WHERE VENT BLOCKS ARE USED BETWEEN ROOF FRAMING MEMBERS TO PREVENT VENT HOLES FROM BEING BLOCKED BY INSULATION.

LOCATE HIGH VENTING MINIMUM 3'-0" VERTICAL DISTANCE ABOVE EAVES.

WHEN GABLE END TRUSS MEMBERS BLOCK GABLE END VENTS, PROVIDE ADEQUATE ADDITIONAL VENTILATION BY MEANS OF ROOF TILE VENTS.



NORTH CAROLINA 50' SERIES

KB HOME
NORTH CAROLINA DIVISION
4518 S. MIAMI BLVD.
SUITE 180
DURHAM, NC 27703
TEL: (919) 768-7988
FAX: (919) 472-0582

2018 NORTH CAROLINA STATE BUILDING CODES

ISSUE DATE: 12/13/19
PROJECT No.: 1350999:57
DIVISION MGR.: MP

REVISIONS:

1 VENTILATION NC2008NCP/ 01/17/20 /KBA

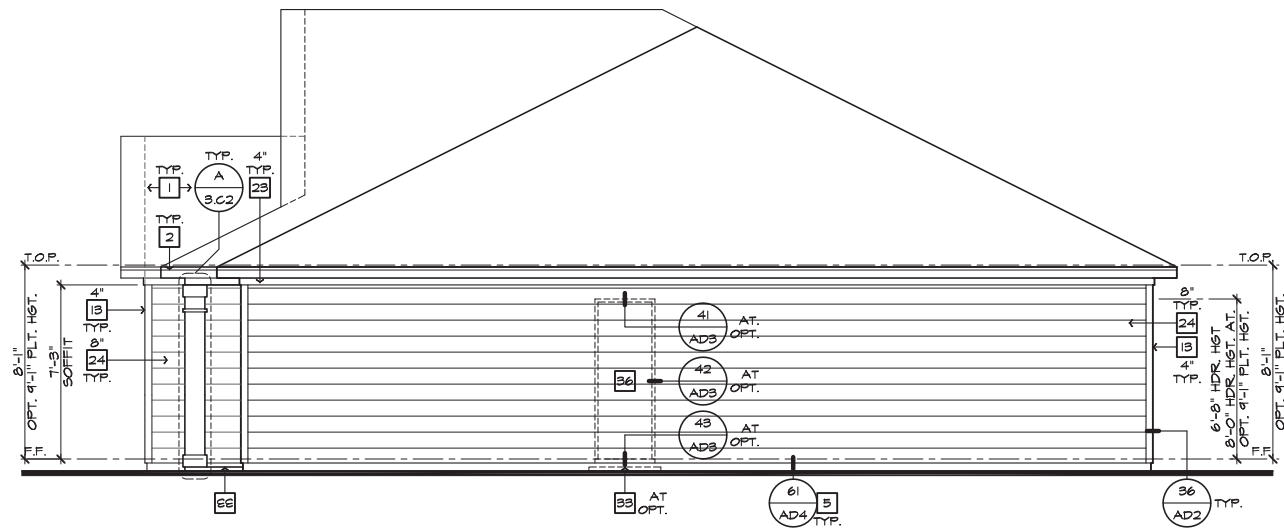
| FOR INTERNAL USE ONLY | |
|-----------------------|--|
| REVIEWED BY: | |
| 1. | |
| 2. | |
| 3. | |
| 4. | |
| 5. | |
| 6. | |

PLAN: 150.1446-R

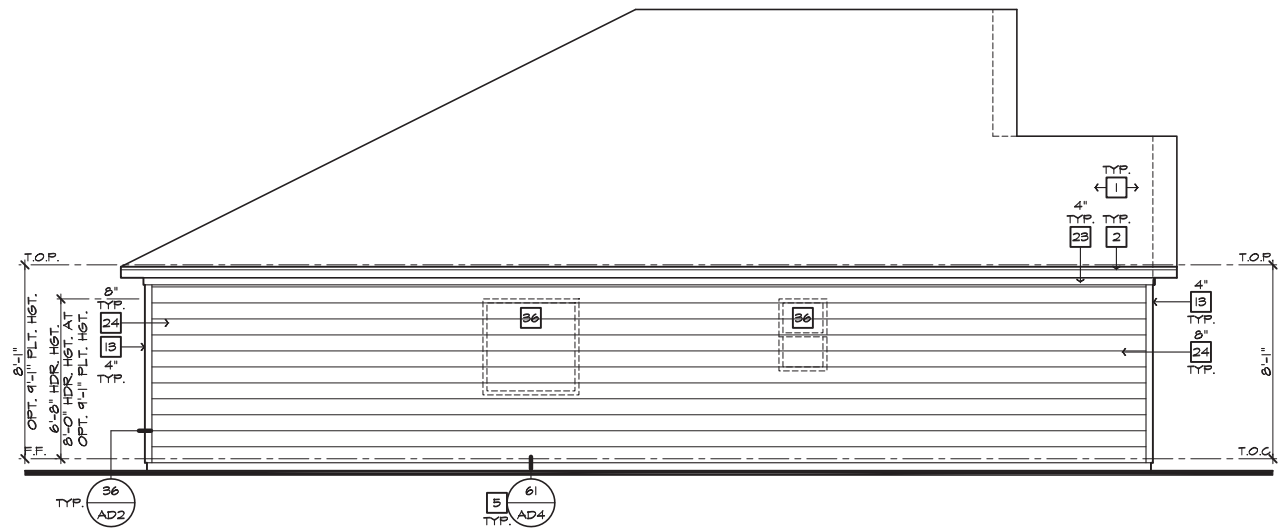
SHEET: 3.C2

SPEC. LEVEL 1
RALEIGH-DURHAM 50' SERIES

These designs and drawings are CONFIDENTIAL, and the exclusive property of KB Home Corporation, and are not to be disclosed without the express permission of KB Home Corporation. Copyright 2014 © KB Home Corporation, all rights reserved.



RIGHT ELEVATION 'C'
SCALE 1/4"=1'-0" (22"X34") - 1/8"=1'-0" (11"X17")



LEFT ELEVATION 'C'
SCALE 1/4"=1'-0" (22"X34") - 1/8"=1'-0" (11"X17")

| # | ELEVATION NOTES |
|---------------------------------------|--|
| NOTE: NOT ALL KEY NOTES APPLY. | |
| 1. | ROOF MATERIAL - REFER TO ROOF NOTES |
| 2. | 2X FASCIA/BARGE BOARD WITH FASCIA CAP |
| 3. | 6.1. FLASHING |
| 4. | 6.1. FLASHING & SADDLE/CRICKET |
| 5. | 6.1. DRIP SCREED |
| 6. | 24"x24" CHIMNEY |
| 7. | DECORATIVE VENT |
| 8. | DECORATIVE CORBEL |
| 9. | DECORATIVE SHUTTERS |
| 10. | PEDIMENT. SEE ELEVATION FOR TYPE |
| 11. | RECESSED ELEMENT |
| 12. | DECORATIVE TRIM FYPON OR EQ. SEE ELEVATION FOR TYPE |
| 13. | TRIM PER SPEC- SEE ELEVATION FOR SIZE |
| 14. | SYNTHETIC MATERIAL |
| 15. | PRE-MANUFACTURED DECORATIVE COLUMN (SIZE, SEE ELEV.) FYPON OR EQ. SURROUNDING STRUCTURAL POST. |
| 16. | SITE-BUILT COLUMN - SEE ELEVATION FOR TYPE |
| 17. | SHAKE SIDING |
| 18. | STONE VENEER PER SPECS |
| 19. | BRICK/MASONRY VENEER PER SPECS |
| 20. | BUILT UP BRICK COLUMN |
| 21. | SOLDIER COURSE |
| 22. | ROCKLOCK COURSE |
| 23. | FRIEZE BOARD |
| 24. | SIDING W/ 4" CORNER TRIM PER SPECS |
| 25. | P.T. POST W/ WRAP - SEE STRUCTURAL FOR SIZE |
| 26. | PRE-FAB DECORATIVE TRIM |
| 27. | LIGHT WEIGHT PRECAST STONE TRIM |
| 28. | P.T. LUMBER RAILINGS (+36" U.N.O.) |
| 29. | WRAP |
| 30. | DECORATIVE WINDOW/DOOR TRIM - FYPON OR EQ. SEE ELEVATION FOR SIZE. |
| 31. | BRACKET OR KICKER - FYPON OR EQ. |
| 32. | ENTRY DOOR |
| 33. | CONCRETE STOOP/PORCH - SEE SLAB INTERFACE PLAN. |
| 34. | SECTIONAL GARAGE DOOR PER SPECS |
| 35. | ALUMINUM WRAP |
| 36. | OPTIONAL DOOR/WINDOW - REFER TO PLAN OPTIONS |
| 37. | OPTIONAL STANDING SEAM METAL ROOF |
| 38. | KEYSTONE |
| 39. | SOLDIER CROWN |
| 40. | JACK SOLDIER COURSE |
| 41. | WATER TABLE |
| 42. | ATRIUM DOOR |
| 43. | PILASTER - SEE ELEVATION FOR TYPE |



**NORTH CAROLINA
50' SERIES**

KB HOME
NORTH CAROLINA DIVISION
4518 S. MIAMI BLVD.
SUITE 180
DURHAM, NC 27703
TEL: (919) 768-7988
FAX: (919) 472-0582

**2018 NORTH
CAROLINA STATE
BUILDING
CODES**

ISSUE DATE: 12/13/19
PROJECT No.: 1350999:57
DIVISION MGR.: MP
REVISIONS:

1 VENTILATION
NC2008NCP/ 01/17/20 /KBA

| FOR INTERNAL USE ONLY | |
|-----------------------|--|
| REVISIONS BY: | |
| 1. | |
| 2. | |
| 3. | |
| 4. | |
| 5. | |
| 6. | |

PLAN:
150.1446-R
SHEET:
3.C3

**SPEC. LEVEL 1
RALEIGH-DURHAM
50' SERIES**

These designs and drawings are CONFIDENTIAL, and the exclusive property of KB Home Corporation and are not to be disclosed without the express permission of KB Home Corporation. Copyright 2014 © KB Home Corporation, all rights reserved.

| # | ELEVATION NOTES |
|-----|--|
| | NOTE: NOT ALL KEY NOTES APPLY. |
| 1. | ROOF MATERIAL - REFER TO ROOF NOTES |
| 2. | 2X FASCIA/BARGE BOARD WITH FASCIA CAP |
| 3. | 6.1. FLASHING |
| 4. | 6.1. FLASHING & SADDLE/CRICKET |
| 5. | 6.1. DRIP SCREED |
| 6. | 24"x24" CHIMNEY |
| 7. | DECORATIVE VENT |
| 8. | DECORATIVE CORBEL |
| 9. | DECORATIVE SHUTTERS |
| 10. | PEDIMENT. SEE ELEVATION FOR TYPE |
| 11. | RECESSED ELEMENT |
| 12. | DECORATIVE TRIM FYPON OR EQ. SEE ELEVATION FOR TYPE |
| 13. | TRIM PER SPEC- SEE ELEVATION FOR SIZE |
| 14. | SYNTHETIC MATERIAL |
| 15. | PRE-MANUFACTURED DECORATIVE COLUMN (SIZE, SEE ELEV.) FYPON OR EQ. SURROUNDING STRUCTURAL POST. |
| 16. | SITE-BUILT COLUMN - SEE ELEVATION FOR TYPE |
| 17. | SHAKE SIDING |
| 18. | STONE VENEER PER SPECS |
| 19. | BRICK/MASONRY VENEER PER SPECS |
| 20. | BUILT UP BRICK COLUMN |
| 21. | SOLDIER COURSE |
| 22. | ROWLOCK COURSE |
| 23. | FRIEZE BOARD |
| 24. | SIDING W/ 4" CORNER TRIM PER SPECS |
| 25. | P.T. POST W/ WRAP - SEE STRUCTURAL FOR SIZE |
| 26. | PRE-FAB DECORATIVE TRIM |
| 27. | LIGHT WEIGHT PRECAST STONE TRIM |
| 28. | P.T. LUMBER RAILINGS (+36" U.N.O.) |
| 29. | WRAP |
| 30. | DECORATIVE WINDOW/DOOR TRIM - FYPON OR EQ. SEE ELEVATION FOR SIZE. |
| 31. | BRACKET OR KICKER - FYPON OR EQ. |
| 32. | ENTRY DOOR |
| 33. | CONCRETE STOOP/ PORCH - SEE SLAB INTERFACE PLAN. |
| 34. | SECTIONAL GARAGE DOOR PER SPECS |
| 35. | ALUMINUM WRAP |
| 36. | OPTIONAL DOOR/WINDOW - REFER TO PLAN OPTIONS |
| 37. | OPTIONAL STANDING SEAM METAL ROOF |
| 38. | KEYSTONE |
| 39. | SOLDIER CROWN |
| 40. | JACK SOLDIER COURSE |
| 41. | WATER TABLE |
| 42. | ATRIUM DOOR |
| 43. | PILASTER - SEE ELEVATION FOR TYPE |



**NORTH CAROLINA
50' SERIES**

KB HOME
NORTH CAROLINA DIVISION
4518 S. MIAMI BLVD.
SUITE 180
DURHAM, NC 27703
TEL: (919) 768-7988
FAX: (919) 472-0582

**2018 NORTH
CAROLINA STATE
BUILDING
CODES**

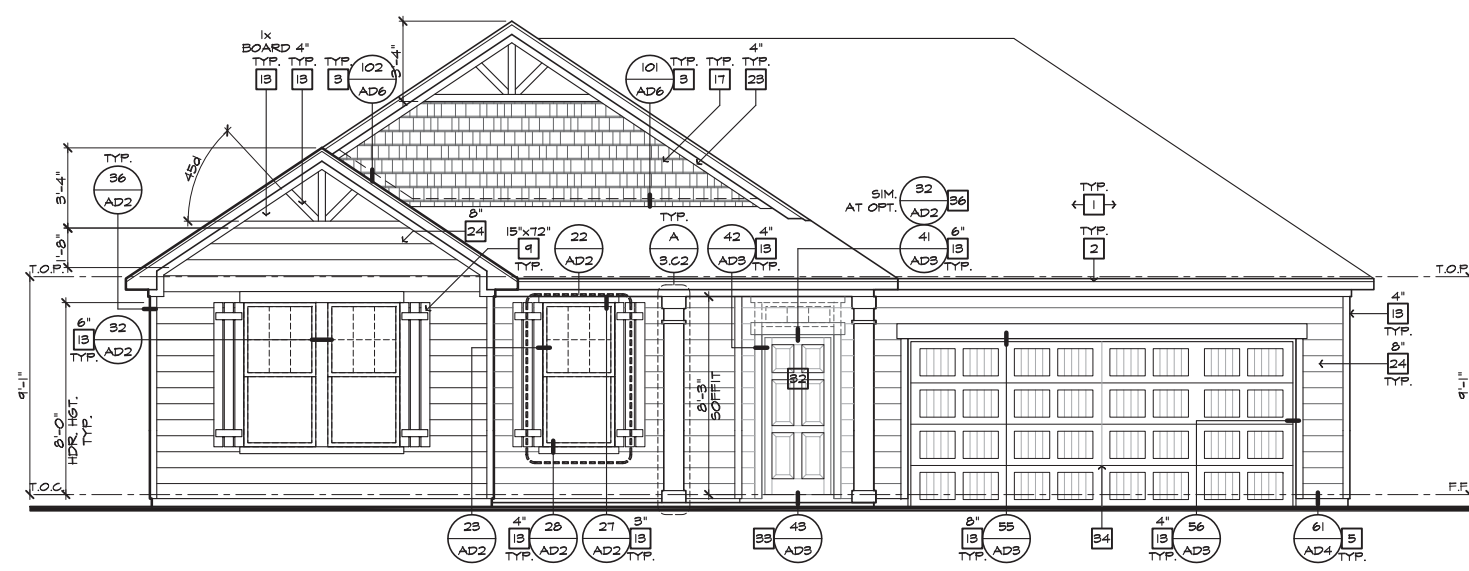
ISSUE DATE: 12/13/19
PROJECT No.: 1350999:57
DIVISION MGR.: MP
REVISIONS:

1 VENTILATION
NC2008NCP/ 01/17/20 /KBA

| FOR INTERNAL USE ONLY | |
|-----------------------|--|
| REVIEWED BY: | |
| 1. | |
| 2. | |
| 3. | |
| 4. | |
| 5. | |
| 6. | |

PLAN:
150.1446-R
SHEET:
3.C6

**SPEC. LEVEL 1
RALEIGH-DURHAM
50' SERIES**



**FRONT ELEVATION 'C'
AT OPTIONAL 9'-1" PLT. HGT.**
SCALE 1/4"=1'-0" (22"x34") - 1/8"=1'-0" (11"x17")

NOTE:
REFER TO BASIC ELEVATIONS FOR INFORMATION NOT SHOWN HERE

These designs and drawings are CONFIDENTIAL, and the exclusive property of KB Home Corporation and are not to be disclosed without the express permission of KB Home Corporation. Copyright 2014 © KB Home Corporation, all rights reserved.



NORTH CAROLINA 50' SERIES

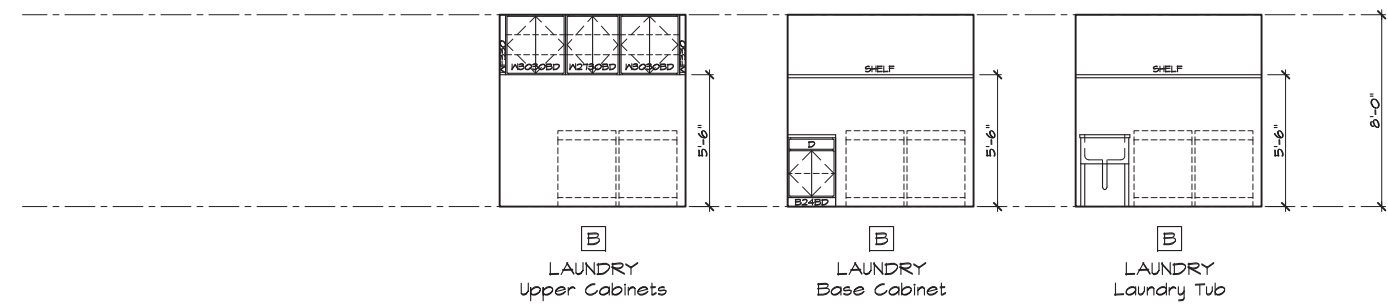
KB HOME
NORTH CAROLINA DIVISION
4518 S. MIAMI BLVD.
SUITE 180
DURHAM, NC 27703
TEL: (919) 768-7988
FAX: (919) 472-0582

2018 NORTH CAROLINA STATE BUILDING CODES

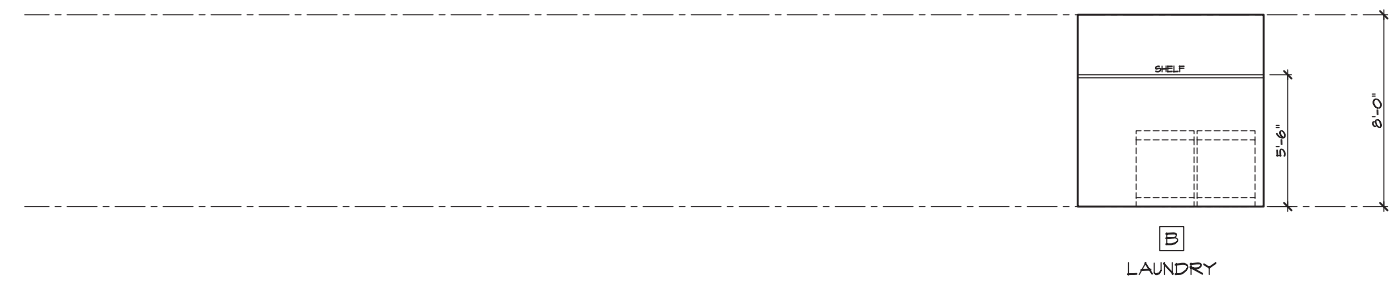
ISSUE DATE: 12/13/19
PROJECT No.: 1350999-57
DIVISION MGR.: MP
REVISIONS:
1 VENTILATION NC2008NCP / 01/17/20 / KBA
2 FRAMEWALK NC20019NCP - 03/24/20 - KBA

PLAN: 150.1446-R
SHEET: 4.1

SPEC. LEVEL 1
RALEIGH-DURHAM 50' SERIES



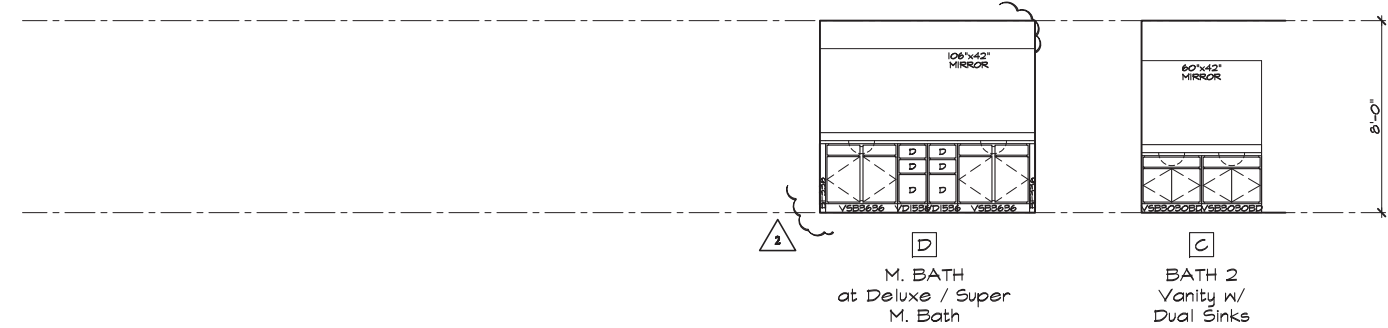
B LAUNDRY Upper Cabinets
B LAUNDRY Base Cabinet
B LAUNDRY Laundry Tub



B LAUNDRY

MISCELLANEOUS INTERIOR ELEVATIONS

MISCELLANEOUS INTERIOR ELEVATIONS



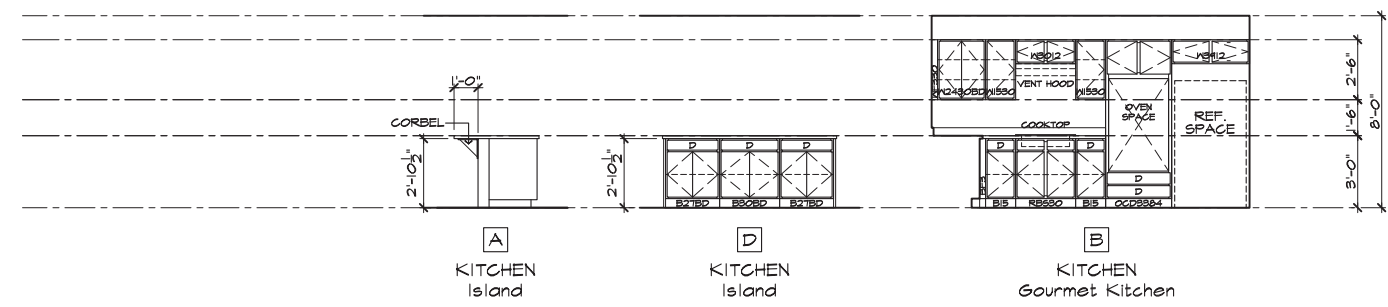
D M. BATH at Deluxe / Super M. Bath
C BATH 2 Vanity w/ Dual Sinks



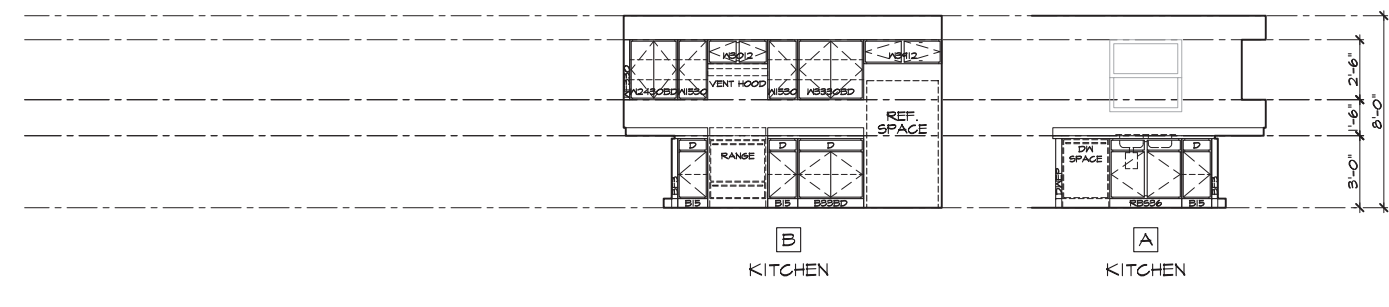
B M. BATH
C BATH 2

BATH ELEVATIONS

BATH ELEVATIONS



A KITCHEN Island
D KITCHEN Island
B KITCHEN Gourmet Kitchen



B KITCHEN
A KITCHEN

KITCHEN ELEVATIONS

KITCHEN ELEVATIONS

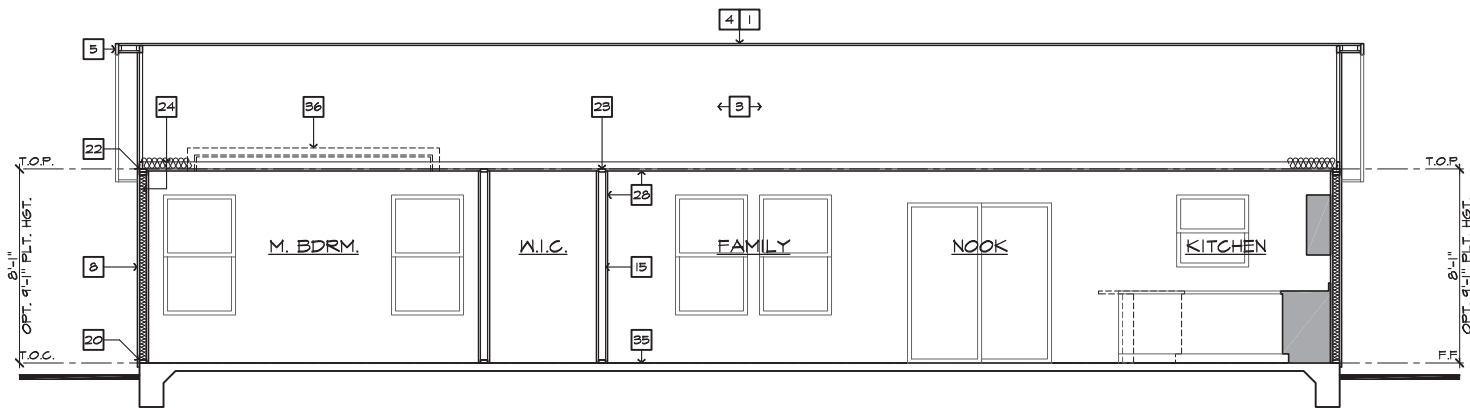
OPTIONAL INTERIOR ELEVATIONS

STANDARD INTERIOR ELEVATIONS

SCALE 1/4"=1'-0" (22'x34") - 1/8"=1'-0" (11'x17")

SCALE 1/4"=1'-0" (22'x34") - 1/8"=1'-0" (11'x17")

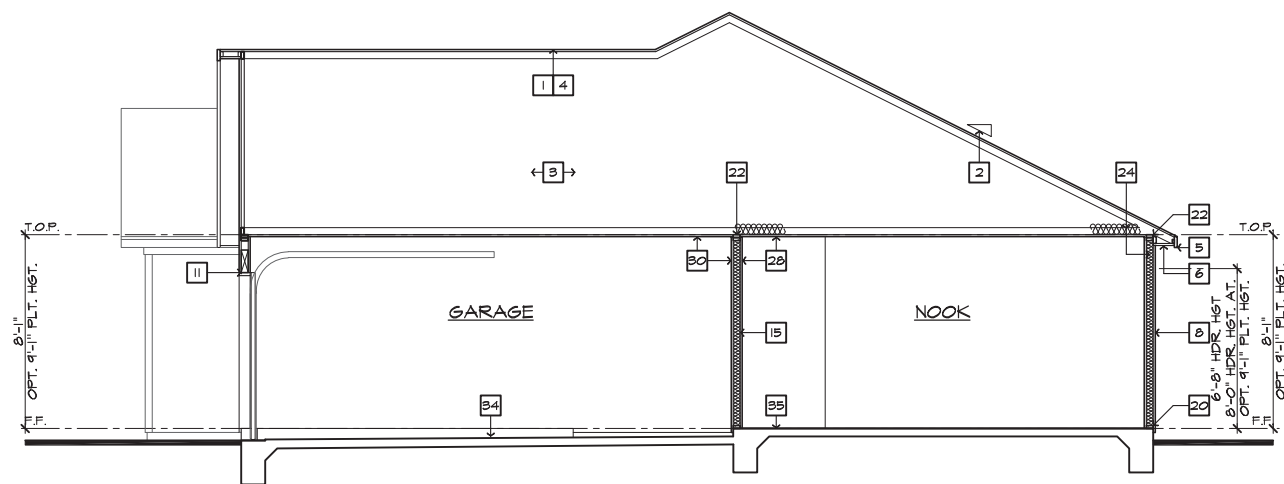
These designs and drawings are CONFIDENTIAL, and the exclusive property of KB Home Corporation and are not to be disclosed without the express permission of KB Home Corporation. Copyright 2014 © KB Home Corporation, all rights reserved.



SECTION 'A'

SCALE 1/4"=1'-0" (22'X34') - 1/8"=1'-0" (11'X17')

AT SLAB-ON-GRADE



SECTION 'B'

SCALE 1/4"=1'-0" (22'X34') - 1/8"=1'-0" (11'X17')

AT SLAB-ON-GRADE

| # | SECTION NOTES |
|--------------------------------|---|
| NOTE: NOT ALL KEY NOTES APPLY. | |
| 1. | ROOF MATERIAL - REFER TO ROOF NOTES |
| 2. | ROOF PITCH - REFER TO ROOF NOTES |
| 3. | PRE-MANUFACTURED WOOD ROOF TRUSS SYSTEM - SEE STRUCTURAL & TRUSS CALCS |
| 4. | ROOF SHEATHING PER STRUCTURAL |
| 5. | 2x FASCI/A/BARGE BOARD |
| 6. | CONT. SOFFITED EAVE W/ VENTING |
| 7. | 6.1. FLASHING - ROOF TO WALL |
| 8. | EXTERIOR FINISH PER ELEVATIONS |
| 9. | FLOOR FRAMING PER STRUCTURAL |
| 10. | FLOOR SHEATHING PER STRUCTURAL |
| 11. | HEADER PER STRUCTURAL |
| 12. | FLUSH BEAM PER STRUCTURAL |
| 13. | DROPPED BEAM PER STRUCTURAL |
| 14. | FLAT/ ARCHED SOFFIT PER PLAN |
| 15. | 2x4 STUD WALL |
| 16. | 2x6 STUD WALL |
| 17. | 2x6 BALLOON FRAMED WALL PER STRUCTURAL |
| 18. | DBL. 2x4 WALL PER PLAN |
| 19. | 2x CRIPPLES @ 16" O.C. |
| 20. | 2x PRESSURE TREATED SILL PLATE |
| 21. | 2x SOLE PLATE |
| 22. | DBL. 2x TOP PLATE @ EXTERIOR & BEARING WALLS |
| 23. | 1x OVER 2x TOP PLATE @ INTERIOR & NON-BEARING WALLS |
| 24. | INSULATION MATERIAL PER ENERGY CALCULATIONS |
| 25. | MIN. 36" HIGH GUARD - SEE PLAN FOR HEIGHT |
| 26. | LOW WALL - SEE PLAN FOR HEIGHT |
| 27. | STAIR TREADS AND RISERS PER PLAN; - MIN. 10" TREAD & MAX. 7 3/4" RISER |
| 28. | INTERIOR FINISH: - MIN. 1/2" GYP. BD. @ WALLS & SAG RESISTANT OR 5/8" DRYWALL @ CEILING |
| 29. | MIN. 1/2" GYP. BD. ON CEILING & WALLS @ USEABLE SPACE UNDER STAIRS. |
| 30. | GARAGE SHALL BE SEPARATED FROM THE RESIDENCE AND ITS ATTIC AREA BY NOT LESS THAN 1/2" GYP. BD. @ GARAGE SIDE WALLS & 5/8" UNDER LIVING AREA U.N.O. |
| 31. | MATERIAL TO UNDERSIDE OF ROOF SHEATHING |
| 32. | INTERIOR SHELF - MIN. 1/2" GYP. BD. OVER 3/8" PLY WD. |
| 33. | CONCRETE PATIO/ PORCH SLAB PER STRUCTURAL - SLOPE 1/4" PER FT. MIN. |
| 34. | CONCRETE GARAGE SLAB PER STRUCTURAL - SLOPE 2" MIN. |
| 35. | CONCRETE FOUNDATION PER STRUCTURAL |
| 36. | LINE OF OPTIONAL TRAY CEILING/ STEP CEILING |
| 37. | LINE OF OPTIONAL VOLUME CEILING |
| 38. | PROFILE OF OPTIONAL COVERED PATIO |
| 39. | EXTERIOR SOFFIT MATERIAL - REFER TO ELEVATIONS. |
| 40. | 8" BLOCK WALL |
| 41. | 5/8" TYPE-X DRYWALL @ GARAGE CEILING |
| 42. | WHEN THERE IS USABLE SPACE ABOVE AND BELOW THE CONCEALED SPACE OF A FLOOR-CEILING ASSEMBLY IN A SINGLE-FAMILY DWELLING, DRAFT STOPS SHALL BE INSTALLED SO THAT THE AREA OF THE CONCEALED SPACE DOES NOT EXCEED 1000 SQUARE FEET. DRAFTSTOPPING SHALL DIVIDE THE CONCEALED SPACE INTO APPROXIMATELY EQUAL AREAS. |



NORTH CAROLINA 50' SERIES

KB HOME
NORTH CAROLINA DIVISION

4518 S. MIAMI BLVD.
SUITE 180
DURHAM, NC 27703
TEL: (919) 768-7988
FAX: (919) 472-0582

2018 NORTH CAROLINA STATE BUILDING CODES

ISSUE DATE: 12/13/19
PROJECT No.: 1350999:57
DIVISION MGR.: MP
REVISIONS:

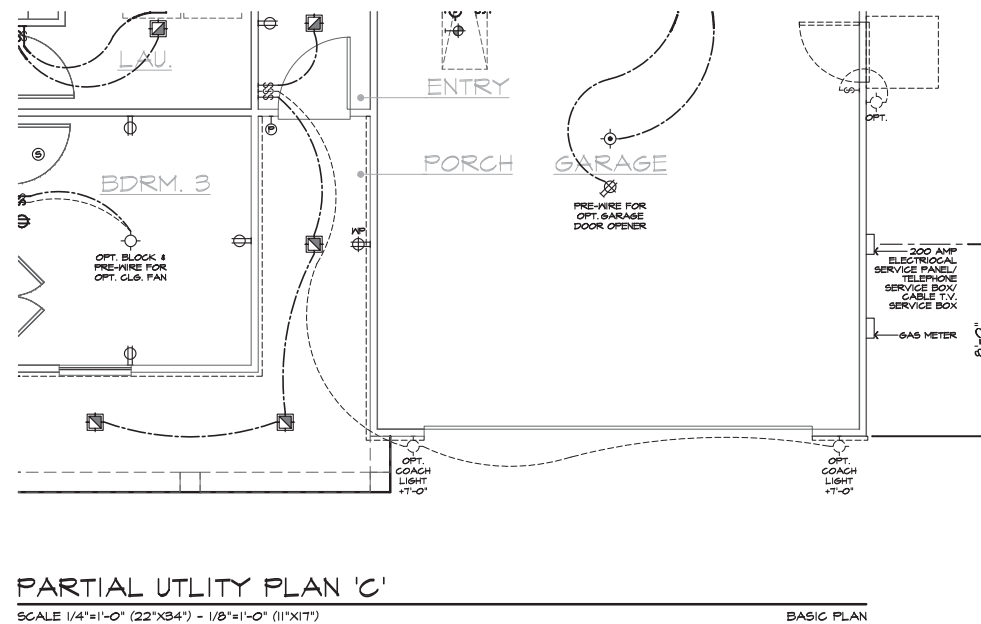


| FOR INTERNAL USE ONLY | |
|-----------------------|--|
| REVIEWED BY: | |
| 1. | |
| 2. | |
| 3. | |
| 4. | |
| 5. | |
| 6. | |

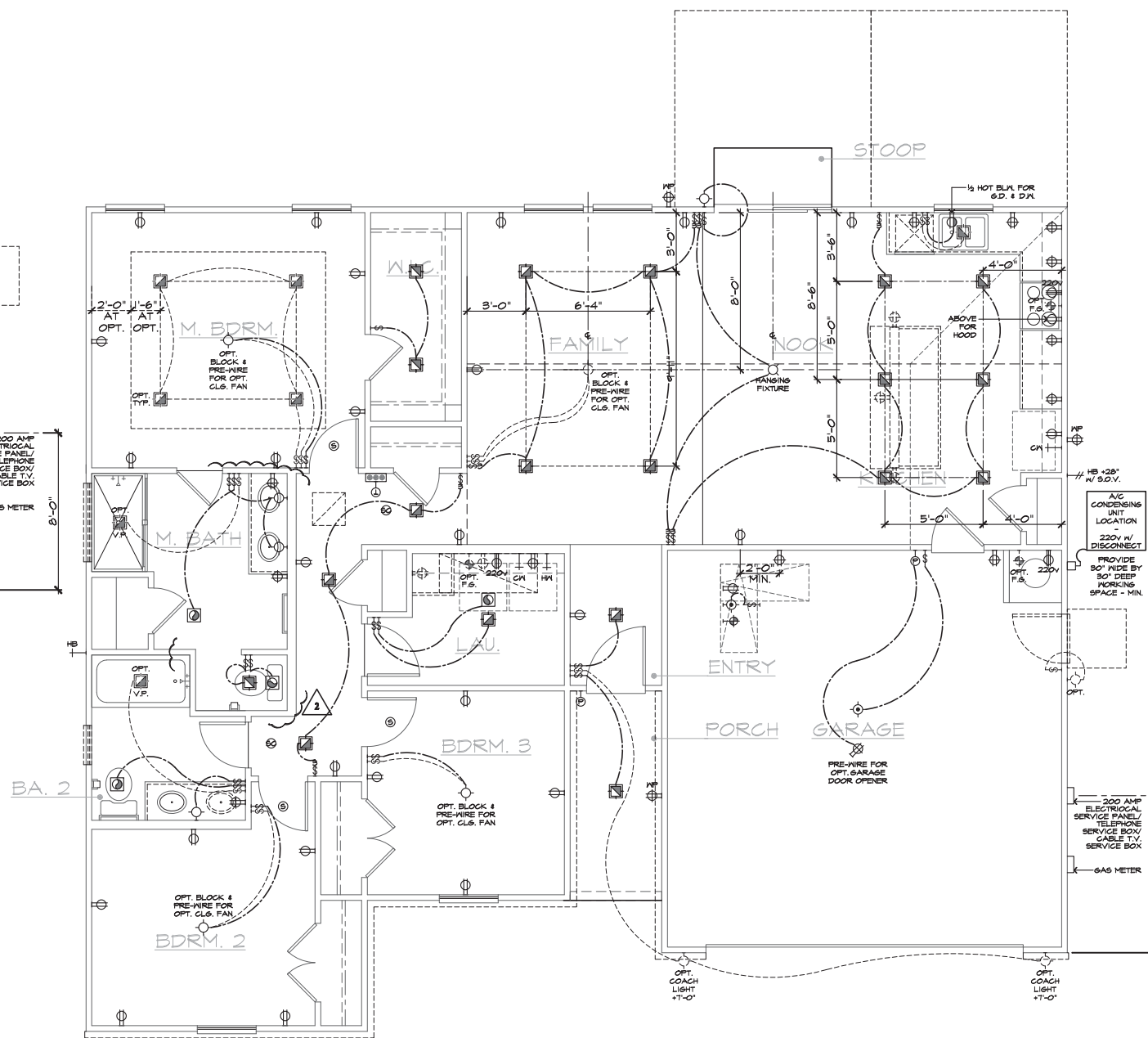
PLAN:
150.1446-R
SHEET:
4.2

**SPEC. LEVEL 1
RALEIGH-DURHAM
50' SERIES**

These designs and drawings are CONFIDENTIAL, and the exclusive property of KB Home Corporation and are not to be disclosed without the express permission of KB Home Corporation. Copyright 2014 © KB Home Corporation, all rights reserved.



PARTIAL UTILITY PLAN 'C'
SCALE 1/4"=1'-0" (22'x34") - 1/8"=1'-0" (11'x17")



UTILITY PLAN
SCALE 1/4"=1'-0" (22'x34") - 1/8"=1'-0" (11'x17")

UTILITY LEGEND 208 NC-PL 2017-166

- ⊕ 120V DUPLEX CONVENIENCE RECEPTACLE AND FAULT (AFCI) AND TAMPER RESISTANT (TR) 12" ABV. FIN. FLR. TYPICAL U.N.O.
- ⊕ W/P 6FI 120V (TR) RECEPTACLE W/ 6FI CIRCUIT W/ WATER RESISTANT HOUSING
- ⊕ 6FI 120V (TR) RECEPTACLE W/ 6FI CIRCUIT
- ⊕ FUSED DISCONNECT
- 120V (AFCI & TR) RECESSED FLOOR RECEPTACLE W/ COVER
- ⊕ 120V (AFCI & TR) DUPLEX CONVENIENCE RECEPTACLE SWITCH CONTROLLED, 1/2 HOT
- ⊕ 220 v 220V SINGLE CONVENIENCE RECEPTACLE HEIGHT NOTED AS PER PLAN
- ⊕ TWO-POLE LIGHT SWITCH AT 42" ABV. FIN. FLR. 8" ABOVE COUNTER U.N.O.
- ⊕ 3 THREE-POLE LIGHT SWITCH
- ⊕ 4 FOUR-POLE LIGHT SWITCH
- ⊕ W.P. WALL MOUNTED LIGHT FIXTURE W/ WATER RESISTANT HOUSING
- ⊕ WALL MOUNTED INCANDESCENT LIGHT FIXTURE
- ⊕ WALL MOUNTED FLUORESCENT LIGHT FIXTURE
- ⊕ CEILING MOUNTED INCANDESCENT LIGHT FIXTURE
- ⊕ CEILING MOUNTED FLUORESCENT LIGHT FIXTURE
- ⊕ HANGING INCANDESCENT LIGHT FIXTURE
- ⊕ RECESSED INCANDESCENT DIRECTIONAL LIGHT FIXTURE (EYE BALL)
- ⊕ RECESSED INCANDESCENT LIGHT FIXTURE LIGHTING - TRAVERSE II LED FIXTURE - PER SPECS
- ⊕ W.P. RECESSED INCANDESCENT LIGHT FIXTURE W/ WATER RESISTANT HOUSING
- ⊕ RECESSED FLUORESCENT LIGHT FIXTURE
- ⊕ RECESSED EXHAUST FAN
- ⊕ RECESSED EXHAUST FAN/ INCANDESCENT LIGHT COMBINATION
- ⊕ RECESSED EXHAUST FAN/ FLUORESCENT LIGHT COMBINATION
- ⊕ INCANDESCENT WALL SCENCE
- ⊕ ILLUMINATED ADDRESS SIGN - VISIBLE FROM STREET
- ⊕ 24"x48" FLUORESCENT LIGHT BOX (CEILING MOUNTED)
- ⊕ 12"x48" FLUORESCENT LIGHT BOX (CEILING MOUNTED)
- ⊕ OPTIONAL PRE-WIRED CEILING FAN AND SWITCH - LOCATED IN CENTER OF ROOM U.N.O.
- ⊕ CEILING MOUNTED JUNCTION BOX
- ⊕ WALL MOUNTED JUNCTION BOX
- ⊕ DOOR CHIME
- ⊕ CATV RECEPTACLE
- ⊕ PUSH BUTTON
- ⊕ PHONE OUTLET
- ⊕ SERVICE BOX
- ⊕ HOSE BIB
- ⊕ HOSE BIB W/ S.O.V.
- ⊕ WATER STUB FOR ICE MAKER
- ⊕ APPROVED CEILING MOUNTED SMOKE DETECTOR TO BE HARD WIRED WITH BATTERY BACK-UP AND INTERCONNECTED
- ⊕ APPROVED CARBON MONOXIDE ALARM/ SMOKE DET.
- ⊕ THERMOSTAT (VERIFY LOCATION W/ HVAC PLAN)
- ⊕ GAS TAP
- ⊕ GAS KEY - FIREPLACE GAS VALVES SHALL BE LOCATED OUTSIDE OF REQUIRED HEARTH AREA, BUT NO MORE THAN 48" FROM GAS OUTLET

⊕ 200 AMP ELECTRICAL SERVICE PANEL/ TELEPHONE SERVICE BOX/ CABLE TV SERVICE BOX

⊕ GAS METER

⊕ 24" MIN. SEPERATION OF ELECTRICAL BOXES AS SHOWN BELOW

⊕ SWITCHING FOR ROOMS W/ CLG. FAN OPTIONS

⊕ LIGHT / FAN 1/2 HOT

⊕ LIGHT FAN 1/2 HOT

⊕ DWELLING 2'-0" OPT. MIN.

⊕ GARAGE

NOTES

- MECHANICAL, ELECTRICAL AND PLUMBING SYSTEMS ARE SHOWN FOR INTENT ONLY. THESE SYSTEMS SHALL BE ENGINEERED BY OTHERS. THE CONTRACTOR SHALL BE RESPONSIBLE FOR PROPER INSTALLATION AND PLACEMENT. ALL HEIGHTS SHOWN ARE TO CENTERLINE OF FIXTURE.
- PROVIDE SWITCH, LIGHT, 120V (AFCI & TR) DUPLEX RECEPTACLE & FUEL GAS STUB OR 220V RECEPTACLE IN ATTIC FOR F.A.U. - PER COMMUNITY SPECIFICATIONS.
- SMOKE DETECTORS IN ROOMS WITH VOLUME CEILING TO BE LOCATED AT HIGHEST POINT OF CEILING
- 20 FOOT #4 REBAR FOR UPPER GROUND AND ADDITIONAL COLD WATER GROUND. REFER TO SLAB INTERFACE PLAN FOR LOCATION.
- 200 AMP ELECTRICAL PANEL (DEFAULT). ELECTRICAL PLAN CHECK PERMIT REQUIRED IF LOAD EXCEED 400 AMPS.



NORTH CAROLINA 50' SERIES

KB HOME
NORTH CAROLINA DIVISION
4518 S. MIAMI BLVD.
SUITE 180
DURHAM, NC 27703
TEL: (919) 768-7988
FAX: (919) 472-0582

2018 NORTH CAROLINA STATE BUILDING CODES

ISSUE DATE: 12/13/19
PROJECT No.: 1350999:57
DIVISION MGR.: MP

- REVISIONS:
- 1 VENTILATION NC2008NCP/ 01/17/20 /KBA
 - 2 FRAMEWALK NC2008NCP / 03/24/20 - KBA

PLAN:
150.1446-R
SHEET:
5.1

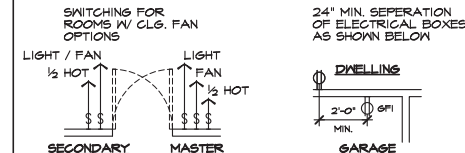
SPEC. LEVEL 1
RALEIGH-DURHAM 50' SERIES

These designs and drawings are CONFIDENTIAL, and the exclusive property of KB Home Corporation and are not to be disclosed without the express permission of KB Home Corporation. Copyright 2014 © KB Home Corporation, all rights reserved.

NOTE:
REFER TO BASIC UTILITY PLAN FOR INFORMATION NOT
SHOWN HERE

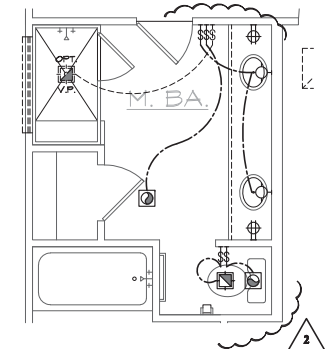
UTILITY LEGEND

- ⊖ 120V DUPLEX CONVENIENCE RECEPTACLE
ARC FAULT(AFCI) AND TAMPER RESISTANT(TR)
12" ABV. FIN. FLR. TYPICAL U.N.O.
- ⊖ w/ GFI 120V (TR) RECEPTACLE W/ GFI CIRCUIT
W/ WATER RESISTANT HOUSING
- ⊖ w/ GFI 120V (TR) RECEPTACLE W/ GFI CIRCUIT
- ⊖ FUSED DISCONNECT
- 120V (AFCI & TR) RECESSED FLOOR
RECEPTACLE W/ COVER
- ⊖ 120V (AFCI & TR) DUPLEX CONVENIENCE RECEPTACLE
SWITCH CONTROLLED, 1/2 HOT
- ⊖ 220v 220V SINGLE CONVENIENCE RECEPTACLE
HEIGHT NOTED AS PER PLAN
- ↔ 2 TWO-POLE LIGHT SWITCH AT 42" ABV. FIN. FLR.
8" ABOVE COUNTER U.N.O.
- ↔ 3 THREE-POLE LIGHT SWITCH
- ↔ 4 FOUR-POLE LIGHT SWITCH
- ⊖ w/ P. WALL MOUNTED LIGHT FIXTURE
W/ WATER RESISTANT HOUSING
- ⊖ WALL MOUNTED INCANDESCENT
LIGHT FIXTURE
- ⊖ WALL MOUNTED FLUORESCENT
LIGHT FIXTURE
- ⊖ CEILING MOUNTED INCANDESCENT
LIGHT FIXTURE
- ⊖ CEILING MOUNTED FLUORESCENT
LIGHT FIXTURE
- ⊖ HANGING INCANDESCENT
LIGHT FIXTURE
- ⊖ RECESSED INCANDESCENT DIRECTIONAL
LIGHT FIXTURE (EYE BALL)
- ⊖ RECESSED INCANDESCENT LIGHT FIXTURE
- ⊖ LIGHTING - TRAVERSE II LED FIXTURE - PER
SPECS
- ⊖ w/ P. RECESSED INCANDESCENT LIGHT FIXTURE
W/ WATER RESISTANT HOUSING
- ⊖ RECESSED FLUORESCENT LIGHT FIXTURE
- ⊖ RECESSED EXHAUST FAN
- ⊖ RECESSED EXHAUST FAN/ INCANDESCENT
LIGHT COMBINATION
- ⊖ RECESSED EXHAUST FAN/ FLUORESCENT
LIGHT COMBINATION
- ⊖ INCANDESCENT WALL SCNCE
-] ILLUMINATED ADDRESS SIGN - VISIBLE
FROM STREET
- ⊖ 24"x48" FLUORESCENT LIGHT
BOX (CEILING MOUNTED)
- ⊖ 12"x48" FLUORESCENT LIGHT
BOX (CEILING MOUNTED)
- ⊖ OPTIONAL PRE-WIRED CEILING FAN
AND SWITCH - LOCATED IN CENTER OF ROOM U.N.O.
- ⊖ CEILING MOUNTED JUNCTION BOX
- ⊖ WALL MOUNTED JUNCTION BOX
- ⊖ DOOR CHIME
- ⊖ CATV RECEPTACLE
- ⊖ PUSH BUTTON
- ⊖ PHONE OUTLET
- ⊖ SERVICE BOX
- + ⊖ HOSE BIB
- + ⊖ HOSE BIB W/ S.O.V.
- + ⊖ WATER STUB FOR ICE MAKER
- ⊖ APPROVED CEILING MOUNTED
SMOKE DETECTOR TO BE HARD WIRED
WITH BATTERY BACK-UP AND INTERCONNECTED
- ⊖ APPROVED CARBON MONOXIDE ALARM/ SMOKE DET.
- ⊖ THERMOSTAT (VERIFY LOCATION W/ HVAC PLAN)
- ⊖ GAS TAP
- ⊖ GAS KEY - FIREPLACE GAS VALVES SHALL BE
LOCATED OUTSIDE OF REQUIRED HEARTH AREA,
BUT NO MORE THAN 48" FROM GAS OUTLET

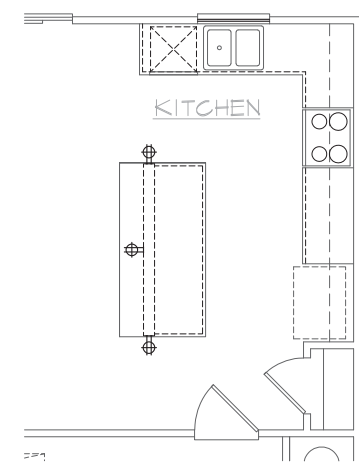


NOTES

1. MECHANICAL, ELECTRICAL AND PLUMBING SYSTEMS ARE SHOWN FOR INTENT ONLY. THESE SYSTEMS SHALL BE ENGINEERED BY OTHERS. THE CONTRACTOR SHALL BE RESPONSIBLE FOR PROPER INSTALLATION AND PLACEMENT. ALL HEIGHTS SHOWN ARE TO CENTERLINE OF FIXTURE.
2. PROVIDE SWITCH, LIGHT, 120V (AFCI & TR) DUPLEX RECEPTACLE & FUEL GAS STUB OR 220V RECEPTACLE IN ATTIC FOR F.A.U. - PER COMMUNITY SPECIFICATIONS.
3. SMOKE DETECTORS IN ROOMS WITH VOLUME CEILING TO BE LOCATED AT HIGHEST POINT OF CEILING
4. 20 FOOT #4 REBAR FOR UPPER GROUND AND ADDITIONAL COLD WATER GROUND. REFER TO SLAB INTERFACE PLAN FOR LOCATION.
5. 200 AMP ELECTRICAL PANEL (DEFAULT). ELECTRICAL PLAN CHECK PERMIT REQUIRED IF LOAD EXCEED 400 AMPS.



Deluxe M. Bath
AT M. BATH



Island
AT KITCHEN

UTILITY PLAN OPTIONS

SCALE 1/4"=1'-0" (22"x34") - 1/8"=1'-0" (11"x17")



NORTH CAROLINA
50' SERIES

KB HOME
NORTH CAROLINA DIVISION
4518 S. MIAMI BLVD.
SUITE 180
DURHAM, NC 27703
TEL: (919) 768-7988
FAX: (919) 472-0582

2018 NORTH
CAROLINA STATE
BUILDING
CODES

ISSUE DATE: 12/13/19
PROJECT No.: 1350999:57
DIVISION MGR.: MP
REVISIONS:

- 1 VENTILATION
NC2008NCP/ 01/17/20 /KBA
- 2 FRAMEWALK
NC2008NCP - 03/24/20 - KBA

PLAN:
150.1446-R
SHEET:
5.2
SPEC. LEVEL 1
RALEIGH-DURHAM
50' SERIES

These designs and drawings are CONFIDENTIAL, and the exclusive property of KB Home Corporation, and are not to be disclosed without the express permission of KB Home Corporation. Copyright 2014 © KB Home Corporation, all rights reserved.



**NORTH CAROLINA
50' SERIES**

KB HOME
NORTH CAROLINA DIVISION
4518 S. MIAMI BLVD.
SUITE 180
DURHAM, NC 27703
TEL: (919) 768-7988
FAX: (919) 472-0582

**2018 NORTH
CAROLINA STATE
BUILDING
CODES**

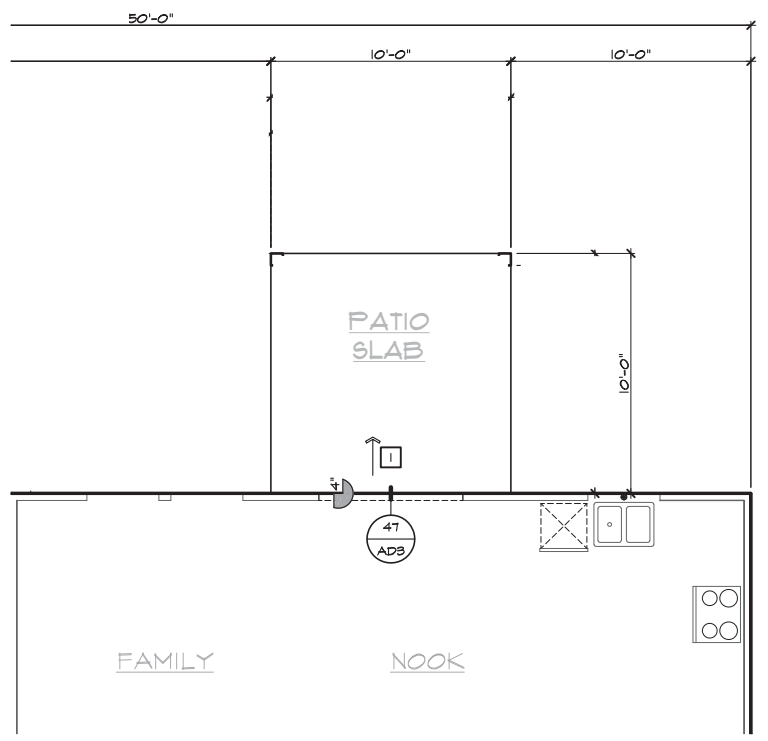
ISSUE DATE: 12/13/19
PROJECT No.: 1350999:57
DIVISION MGR.: MP
REVISIONS:

1 VENTILATION
NC2008NCP/ 01/17/20 /KBA

| # | ELEVATION NOTES |
|---------------------------------------|--|
| NOTE: NOT ALL KEY NOTES APPLY. | |
| 1. | ROOF MATERIAL - REFER TO ROOF NOTES |
| 2. | 2X FASCIA/BARGE BOARD WITH FASCIA CAP |
| 3. | 6.1. FLASHING |
| 4. | 6.1. FLASHING & SADDLE/CRICKET |
| 5. | 6.1. DRIP SCREED |
| 6. | 24"x24" CHIMNEY |
| 7. | DECORATIVE VENT |
| 8. | DECORATIVE CORBEL |
| 9. | DECORATIVE SHUTTERS |
| 10. | PEDIMENT. SEE ELEVATION FOR TYPE |
| 11. | RECESSED ELEMENT |
| 12. | DECORATIVE TRIM FYFON OR EQ. SEE ELEVATION FOR TYPE |
| 13. | TRIM PER SPEC- SEE ELEVATION FOR SIZE |
| 14. | SYNTHETIC MATERIAL |
| 15. | PRE-MANUFACTURED DECORATIVE COLUMN (SIZE, SEE ELEV.) FYFON OR EQ. SURROUNDING STRUCTURAL POST. |
| 16. | SITE-BUILT COLUMN - SEE ELEVATION FOR TYPE |
| 17. | SHAKE SIDING |
| 18. | STONE VENEER PER SPECS |
| 19. | BRICK/MASONRY VENEER PER SPECS |
| 20. | BUILT UP BRICK COLUMN |
| 21. | SOLDIER COURSE |
| 22. | ROWLOCK COURSE |
| 23. | FRIEZE BOARD |
| 24. | SIDING W/ 4" CORNER TRIM PER SPECS |
| 25. | P.T. POST W/ WRAP - SEE STRUCTURAL FOR SIZE |
| 26. | PRE-FAB DECORATIVE TRIM |
| 27. | LIGHT WEIGHT PRECAST STONE TRIM |
| 28. | P.T. LUMBER RAILINGS (+36" U.N.O.) |
| 29. | WRAP |
| 30. | DECORATIVE WINDOW/DOOR TRIM - FYFON OR EQ. SEE ELEVATION FOR SIZE. |
| 31. | BRACKET OR KICKER - FYFON OR EQ. |
| 32. | ENTRY DOOR |
| 33. | CONCRETE STOOP/ PORCH - SEE SLAB INTERFACE PLAN. |
| 34. | SECTIONAL GARAGE DOOR PER SPECS |
| 35. | ALUMINUM WRAP |
| 36. | OPTIONAL DOOR/WINDOW - REFER TO PLAN OPTIONS |
| 37. | OPTIONAL STANDING SEAM METAL ROOF |
| 38. | KEYSTONE |
| 39. | SOLDIER CROWN |
| 40. | JACK SOLDIER COURSE |
| 41. | WATER TABLE |
| 42. | ATRIUM DOOR |
| 43. | PILASTER - SEE ELEVATION FOR TYPE |

| # | PARTIAL PLAN NOTES |
|---------------------------------------|--|
| NOTE: NOT ALL KEY NOTES APPLY. | |
| 27. | WATER HEATER LOCATION - FOR GAS - LOCATE ON 18" HIGH PLATFORM - FOR INTERIOR LOCATION - PROVIDE FAN & DRAIN. (REFER TO DETAILS) |
| 28. | WATER HEATER 'B' VENT TO OUTSIDE AIR |
| 29. | MAIN LINE SHUT-OFF VALVE AND TEMP. & PRESSURE RELIEF VALVE |
| 39. | LINE OF WALL BELOW |
| 41. | LINE OF FLOOR ABOVE |
| 42. | LINE OF FLOOR BELOW |
| 50. | MIN. 36" HIGH GUARDRAIL (REFER TO DETAIL SHEETS) |
| 51. | LOW WALL - REFER TO PLAN FOR HEIGHT |
| 52. | 2x6 STUD WALL |
| 54. | DEL. 2x4 WALL PER PLAN |
| 55. | INTERIOR SHELF - REFER TO PLAN FOR HEIGHT |
| 57. | FLAT SOFFIT |
| 58. | ARCHED SOFFIT |
| 60. | OPT. DOOR/ WINDOW |
| 61. | PRE-MANUFACTURED DECORATIVE COLUMN (SIZE, SEE ELEV.) FYFON OR EQ. SURROUNDING STRUCTURAL POST. |
| 62. | BRICK / STONE VENEER - REFER TO ELEVATIONS |
| 63. | SECTIONAL GARAGE DOOR PER SPECS |
| 66. | 3" DIAM. CONCRETE FILLED PIPE BOLLARD 36" HIGH WITH MIN. 12" EMBEDMENT INTO CONCRETE (NOT REQUIRED AT ELECTRIC WATER HEATERS OR FOR APPLIANCES LOCATED OUT OF THE VEHICLE'S NORMAL TRAVEL PATH). |
| 68. | P.T. POST W/ WRAP. |
| 70. | EGRESS WINDOW |
| 75. | WINDOW LEDGE. HEIGHT & WIDTH OF OPENING TO EXTEND 6" BEYOND WINDOW(S) ON ALL SIDES U.N.O. |
| 76. | SITE-BUILT COLUMN - SEE ELEVATION FOR TYPE |
| 77. | CONCRETE SLAB. SLOPE 1/4" PER FT. MIN. SEE PLAN FOR SIZE |

| # | SLAB PLAN NOTES |
|---|--|
| NOTE: NOT ALL KEY NOTES APPLY. | |
| 1. | CONCRETE PATIO/PORCH SLAB PER STRUCTURAL- SLOPE 1/4" PER FT. MIN. |
| 2. | CONCRETE GARAGE SLAB PER STRUCTURAL- SLOPE 1/8" PER 1'-0" MIN. TOWARD DOOR OPENING. |
| 3. | CONCRETE FOUNDATION PER STRUCTURAL. |
| 4. | CONCRETE STOOP, 36"x36" STANDARD SLOPE 1/4" PER FT. MIN. |
| 5. | CONCRETE DRIVEWAY SLOPE 1/4" PER FT. MIN. AWAY FROM GARAGE DOOR OPENING. |
| 6. | PROVIDE ELECTRICAL CONDUIT UNDER SLAB AT ISLAND. VERIFY LOCATION. |
| 7. | 5" BRICK LEDGE FOR MASONRY VENEER. |
| 8. | 3" DIAMETER CONCRETE FILLED PIPE BOLLARD 36" HIGH WITH MIN. 12" EMBEDMENT INTO CONCRETE. |
| 9. | REFER TO CIVIL DRAWINGS FOR ALL FINISH SURFACE ELEVATIONS. |
| 10. | VERIFY ALL PLUMBING STUD DIMENSIONS SHOWN HERE PRIOR TO POUR OF SLAB |
| 11. | 4" MIN. @ 1/4" MAX. TO HARD SURFACE. |
| 12. | A/C PAD. VERIFY LOCATION. |
| 13. | 36" WIDE WALKWAY- SLOPE 1/4" PER FT. MIN. |
| NOTE: REFER TO BASIC ROOF PLAN FOR INFORMATION NOT SHOWN HERE | |
| NOTE: REFER TO BASIC ELEVATIONS FOR INFORMATION NOT SHOWN HERE | |
| NOTE: REFER TO BASIC FLOOR PLAN FOR INFORMATION NOT SHOWN HERE | |
| NOTE: REFER TO BASIC SLAB PLAN FOR INFORMATION NOT SHOWN HERE | |



PARTIAL SLAB INTERFACE PLAN
SCALE 1/4"=1'-0" (22'x34") - 1/8"=1'-0" (11'x17")

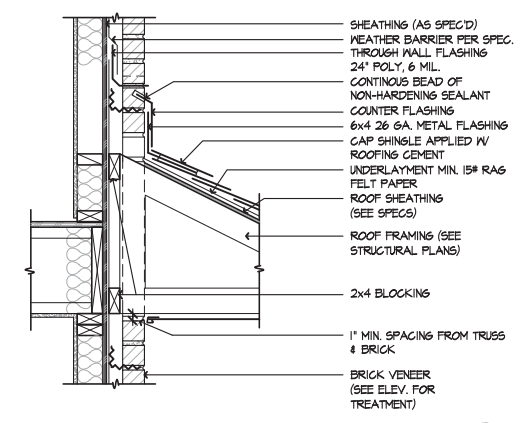
10'x10' PATIO SLAB AT 'C'
SCALE 1/4"=1'-0" (22'x34") - 1/8"=1'-0" (11'x17")

| FOR INTERNAL USE ONLY | |
|-----------------------|--|
| REVIEWED BY: | |
| 1. | |
| 2. | |
| 3. | |
| 4. | |
| 5. | |
| 6. | |

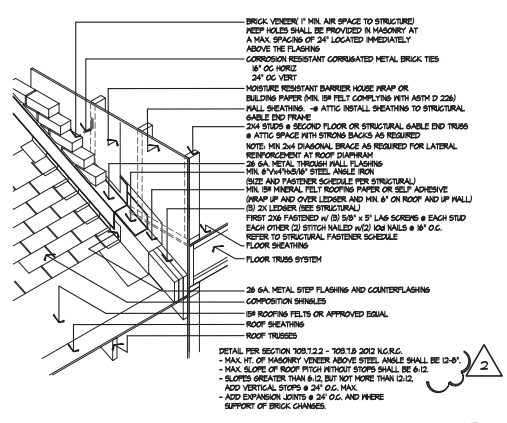
PLAN:
150.1446-R
SHEET:
8.C1

**SPEC. LEVEL 1
RALEIGH-DURHAM
50' SERIES**

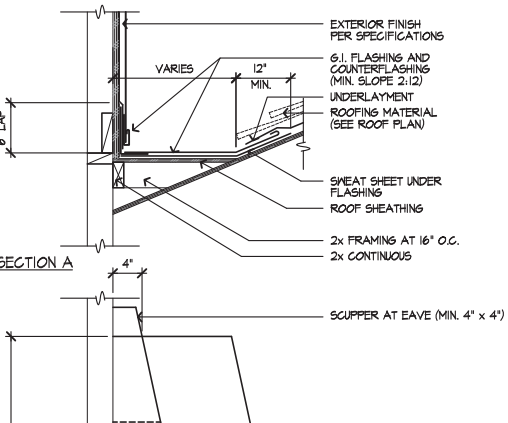
These designs and drawings are CONFIDENTIAL, and the exclusive property of KB Home Corporation and are not to be disclosed without the express permission of KB Home Corporation. Copyright 2014 © KB Home Corporation, all rights reserved.



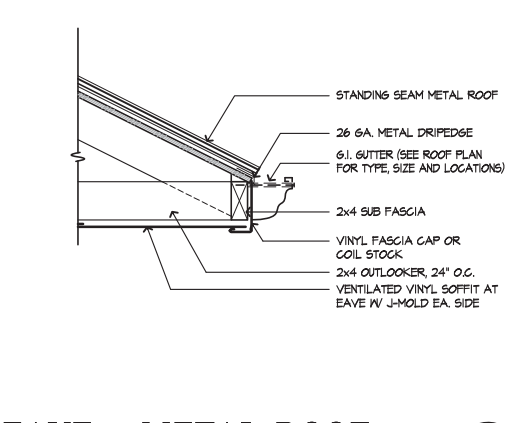
BRICK THROUGH ROOF
SCALE 1/2"=1'-0"
SE-01017a



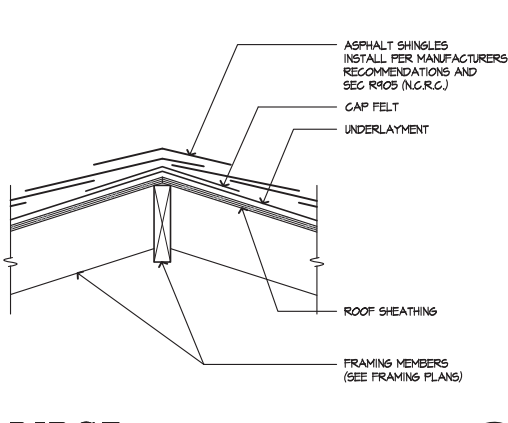
BRICK OVER ROOF
SCALE NTS
SE-2D 150



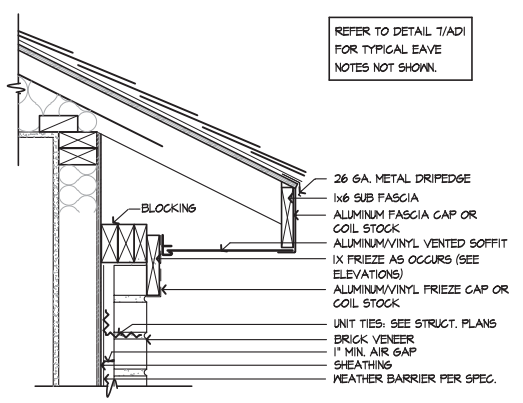
EAVE @ METAL ROOF
SCALE 1/2"=1'-0"
SE-05091a



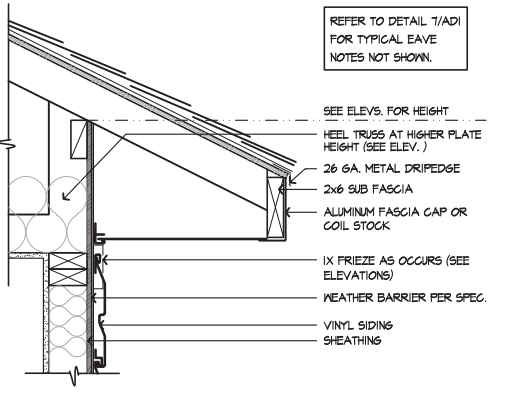
RIDGE
SCALE 1/2"=1'-0"
SE-01001a



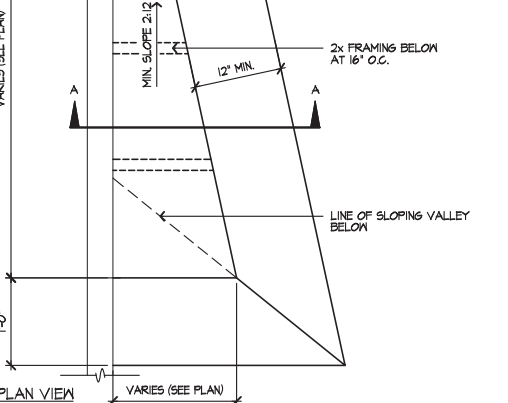
RIDGE VENT
SCALE 1/2"=1'-0"
SE-01002a



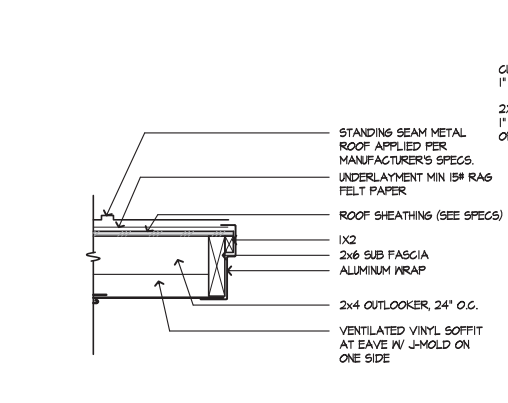
EAVE - BRICK
SCALE 1/2"=1'-0"
SE-01016a



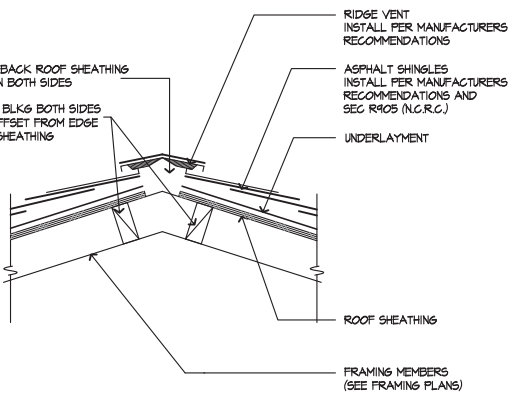
HEEL TRUSS - VINYL
SCALE 1/2"=1'-0"
SE-01014a



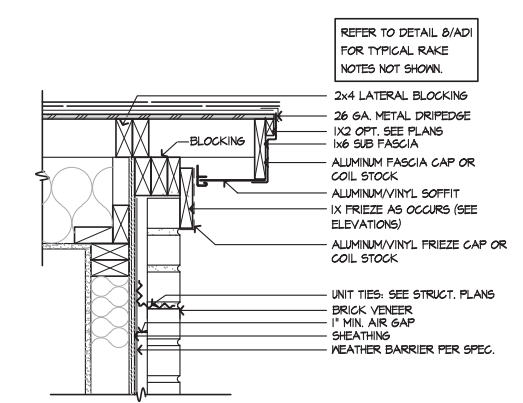
CRICKET
SCALE 1"=1'-0"
SE-01006a



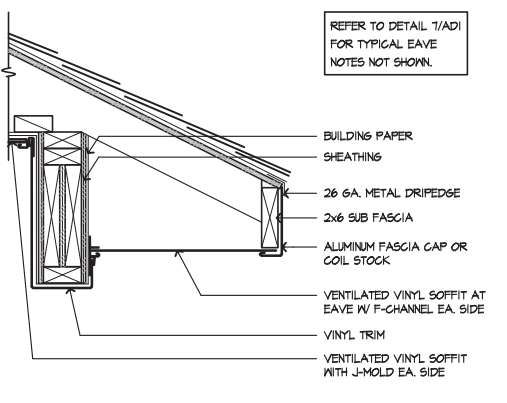
RAKE @ METAL ROOF
SCALE 1/2"=1'-0"
SE-05098a



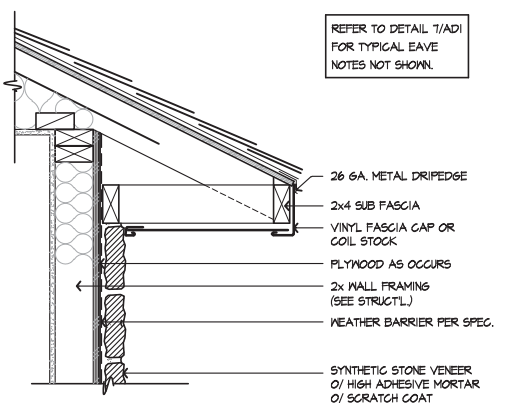
RIDGE VENT
SCALE 1/2"=1'-0"
SE-01002a



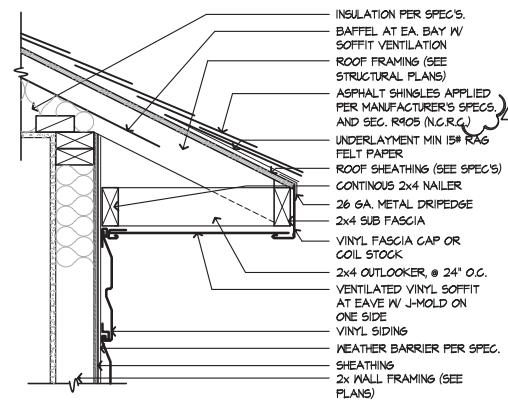
RAKE - BRICK
SCALE 1/2"=1'-0"
SE-01019a



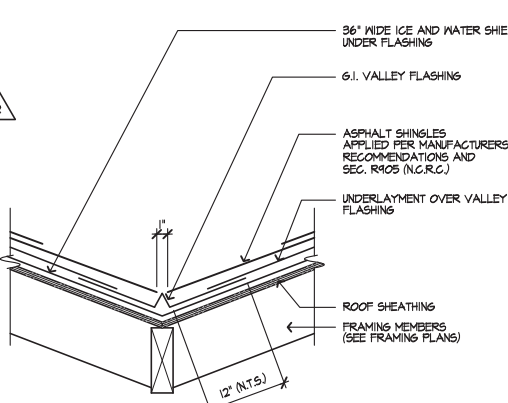
SOFFIT @ PATIO - VINYL
SCALE 1/2"=1'-0"
SE-01018a



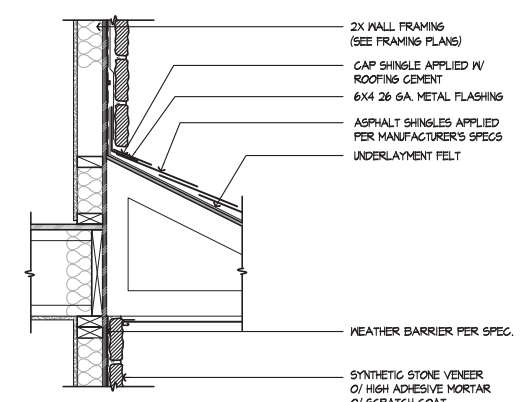
EAVE - STONE
SCALE 1/2"=1'-0"
SE-01011a



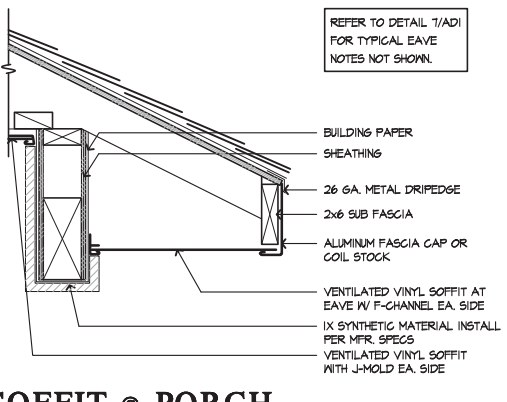
EAVE - VINYL
SCALE 1/2"=1'-0"
SE-01009a



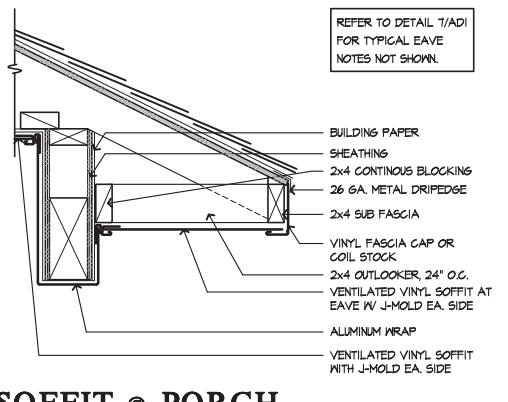
VALLEY
SCALE 1/2"=1'-0"
SE-01003a



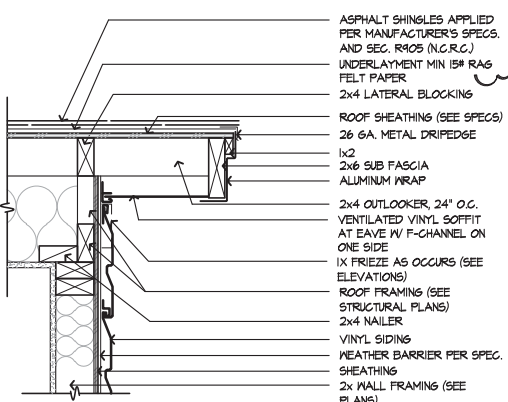
STONE TO ROOF
SCALE 1"=1'-0"
SE-01020a



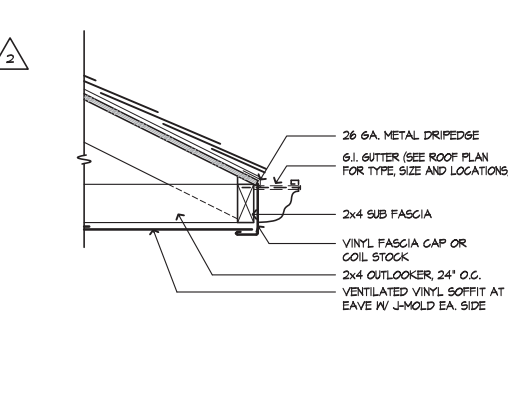
SOFFIT @ PORCH - SYNTHETIC MATERIAL
SCALE 1/2"=1'-0"
SE-01016a



SOFFIT @ PORCH - ALUMINUM
SCALE 1/2"=1'-0"
SE-01016a



RAKE - VINYL
SCALE 1/2"=1'-0"
SE-01010a



TYPICAL EAVE GUTTER
SCALE 1/2"=1'-0"
SE-01004a

DETAILS
KB HOME
NORTH CAROLINA DIVISION
4518 S. MIAMI BLVD.
SUITE 180
DURHAM, NC 27703
TEL: (919) 768-7988
FAX: (919) 472-0582

ISSUE DATE: 09/28/11
PROJECT No.: 1350
DIVISION MGR.: K.W.
REVISIONS: 01/24/19

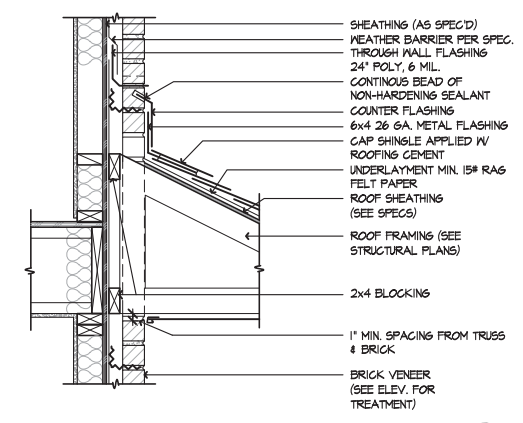
- 1 COMPLIANCE REVIEW NCI2008 - 02/28/12 - CTD
- 2 2012 NC CODE UPDATE NCI2016 - 03/22/12 - CTD
- 3 DETAIL UPDATES NCI2013 - 11/3/13 - DC3
- 4 2018 NC CODE UPDATE NCI2015 - 01/24/19 - MCP

FOR INTERNAL USE ONLY

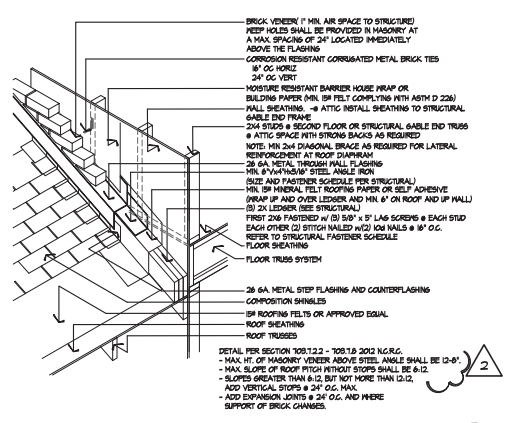
| | | |
|--------------|----|--|
| REVIEWED BY: | 1. | |
| | 2. | |
| | 3. | |
| | 4. | |
| | 5. | |
| | 6. | |

PLAN: ALL
SHEET: AD1

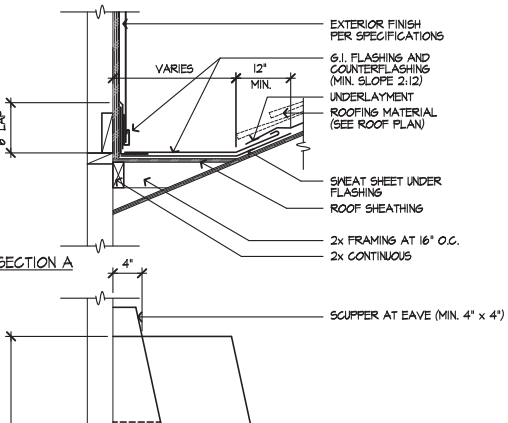
These designs and drawings are CONFIDENTIAL, and the exclusive property of KB Home Corporation and are not to be disclosed without the express permission of KB Home Corporation. Copyright 2014 © KB Home Corporation. All rights reserved.



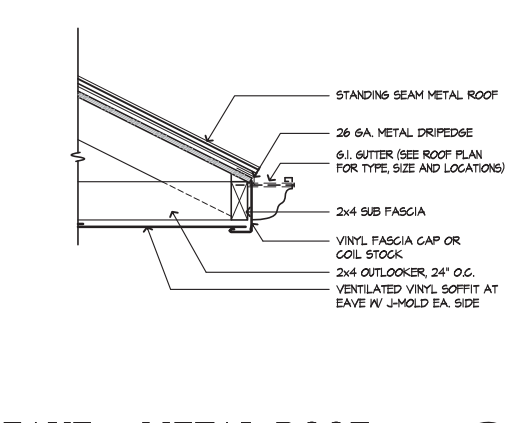
BRICK THROUGH ROOF
SCALE 1/4"=1'-0"
SE-01017a



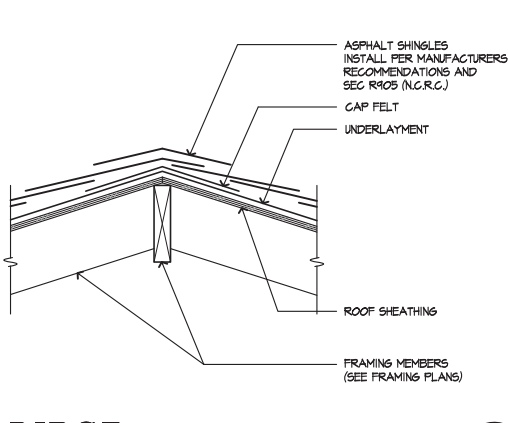
BRICK OVER ROOF
SCALE NTS
SE-2D 150



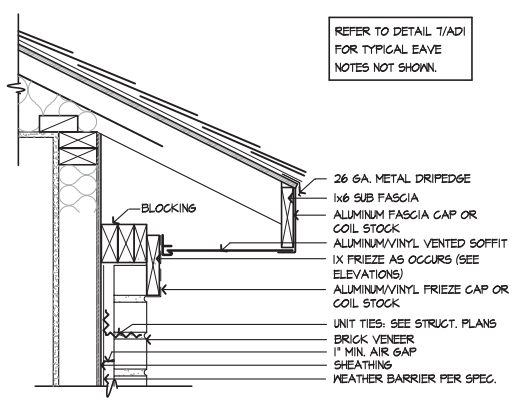
EAVE @ METAL ROOF
SCALE 1/2"=1'-0"
SE-05091a



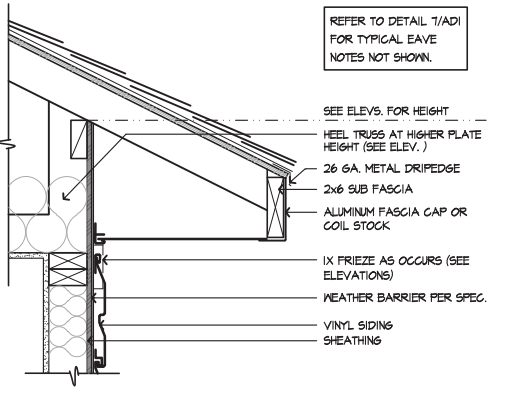
RIDGE
SCALE 1/2"=1'-0"
SE-01001a



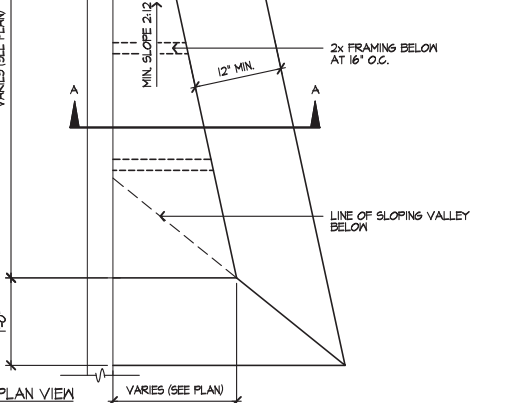
RIDGE VENT
SCALE 1/2"=1'-0"
SE-01002a



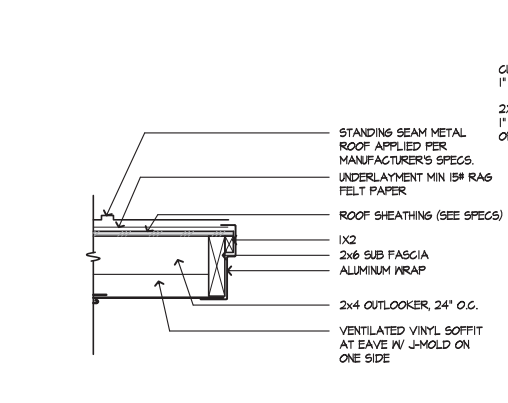
EAVE - BRICK
SCALE 1/2"=1'-0"
SE-01018a



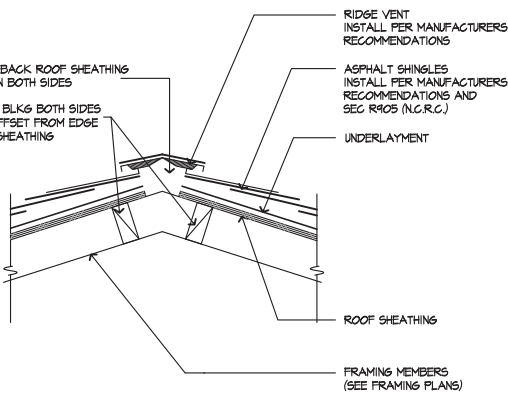
HEEL TRUSS - VINYL
SCALE 1/2"=1'-0"
SE-01014a



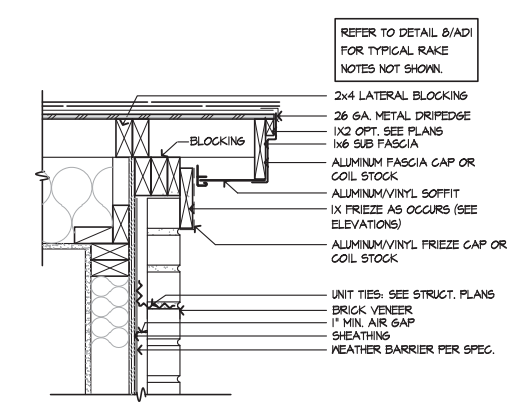
CRICKET
SCALE 1/4"=1'-0"
SE-01006a



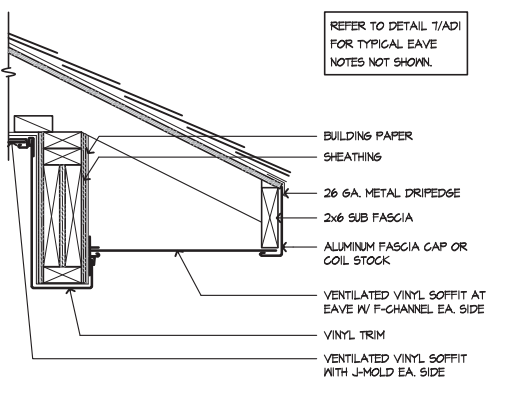
RAKE @ METAL ROOF
SCALE 1/2"=1'-0"
SE-05098a



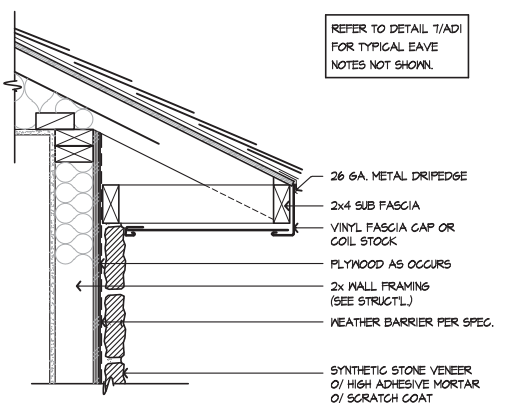
RIDGE VENT
SCALE 1/2"=1'-0"
SE-01002a



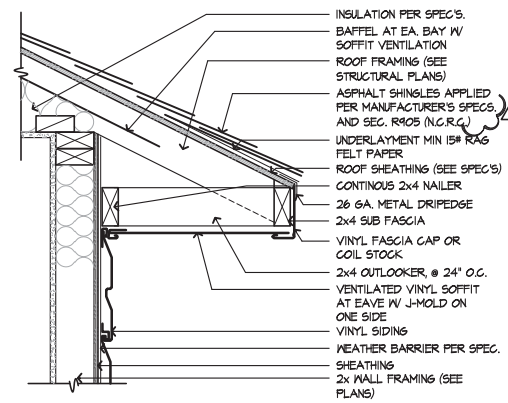
RAKE - BRICK
SCALE 1/2"=1'-0"
SE-01019a



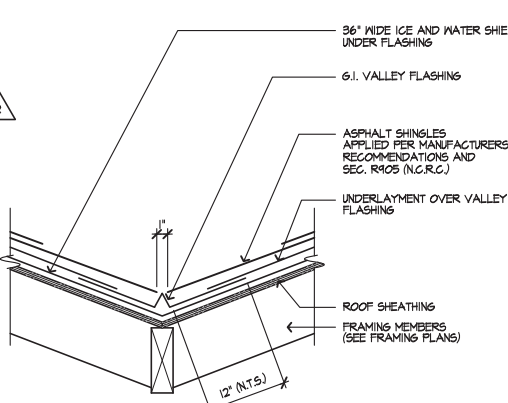
SOFFIT @ PATIO - VINYL
SCALE 1/2"=1'-0"
SE-01016a



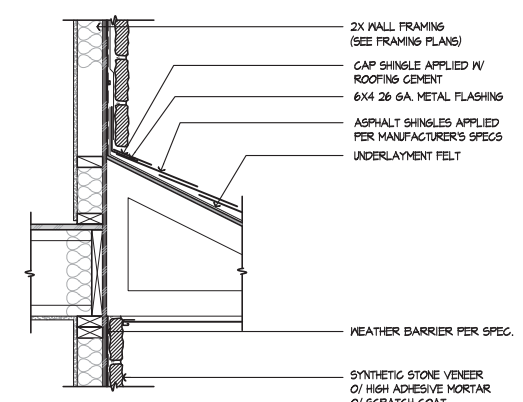
EAVE - STONE
SCALE 1/2"=1'-0"
SE-01011a



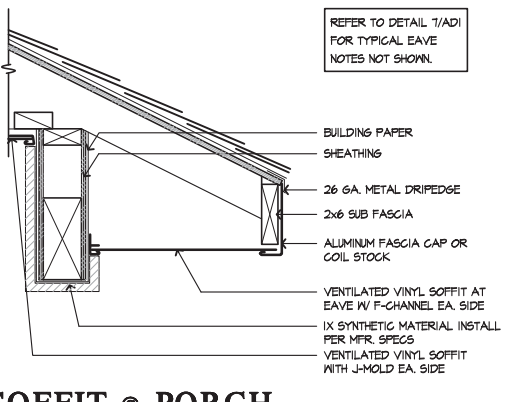
EAVE - VINYL
SCALE 1/2"=1'-0"
SE-01009a



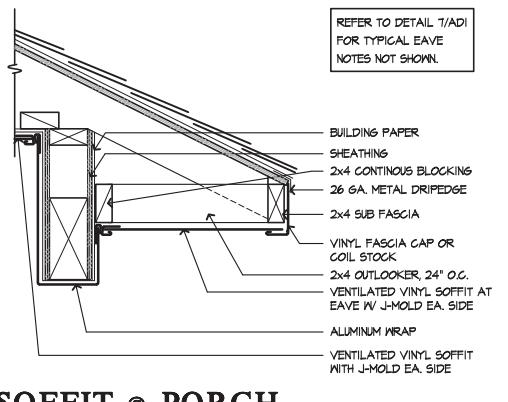
VALLEY
SCALE 1/2"=1'-0"
SE-01003a



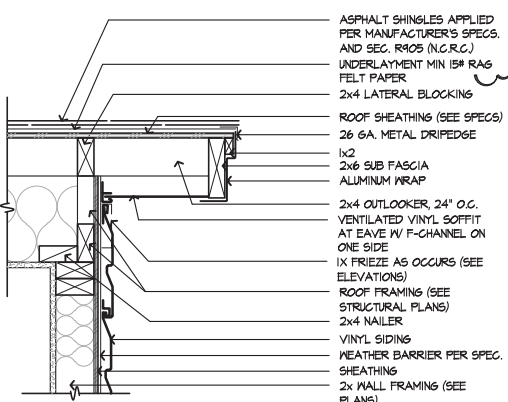
STONE TO ROOF
SCALE 1/4"=1'-0"
SE-01020a



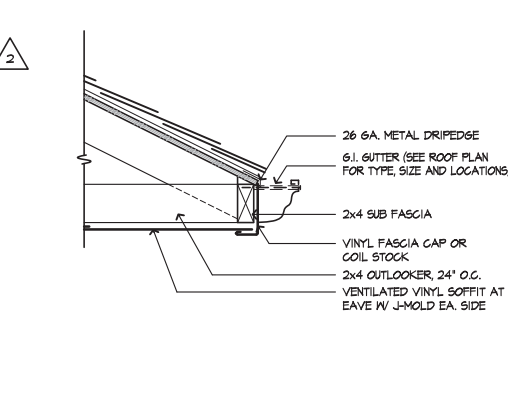
SOFFIT @ PORCH - SYNTHETIC MATERIAL
SCALE 1/2"=1'-0"
SE-01016a



SOFFIT @ PORCH - ALUMINUM
SCALE 1/2"=1'-0"
SE-01016a



RAKE - VINYL
SCALE 1/2"=1'-0"
SE-01010a



TYPICAL EAVE GUTTER
SCALE 1/2"=1'-0"
SE-01004a

KB HOME
NORTH CAROLINA DIVISION
4518 S. MIAMI BLVD.
SUITE 180
DURHAM, NC 27703
TEL: (919) 768-7988
FAX: (919) 472-0582

DETAILS

ISSUE DATE: 09/28/11
PROJECT No.: 1350
DIVISION MGR.: K.W.
REVISIONS: 01/24/19

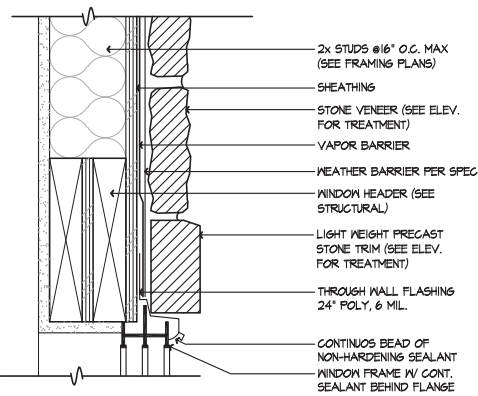
- 1 COMPLIANCE REVIEW NCI2008 - 02/28/12 - CTD
- 2 2012 NC CODE UPDATE NCI2016 - 03/22/12 - CTD
- 3 DETAIL UPDATES NCI2003 - 11/3/15 - DCS
- 4 2018 NC CODE UPDATE NCI2015 - 01/24/19 - MCP

FOR INTERNAL USE ONLY

| REVISION BY: | DATE |
|--------------|------|
| 1. | |
| 2. | |
| 3. | |
| 4. | |
| 5. | |
| 6. | |

PLAN: ALL
SHEET: AD1

These designs and drawings are CONFIDENTIAL, and the exclusive property of KB Home Corporation and are not to be disclosed without the express permission of KB Home Corporation. Copyright 2014 © KB Home Corporation, all rights reserved.

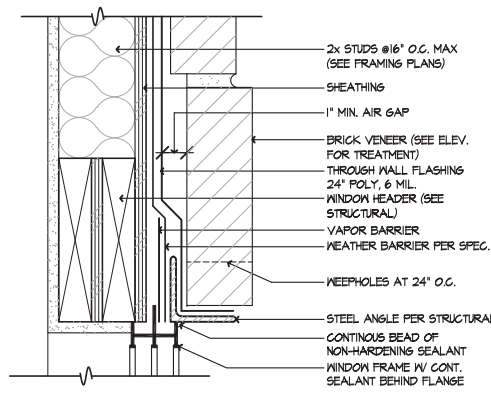


WINDOW HEAD - STONE

SCALE 3/8"=1'-0"

SE-02036a

37

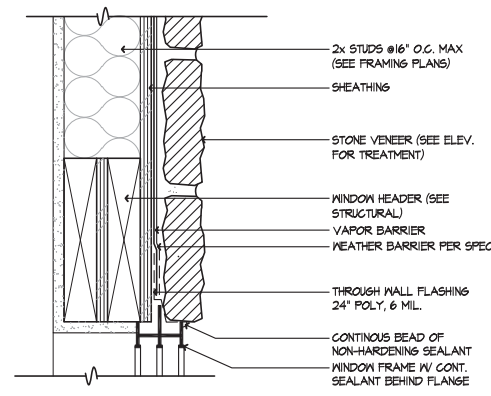


WINDOW HEAD - BRICK

SCALE 3/8"=1'-0"

SE-02036a

33

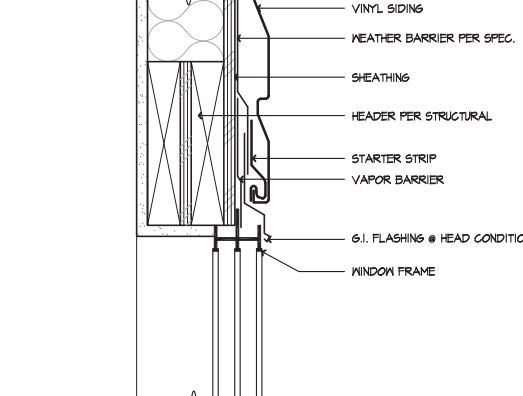


WINDOW HEAD - STONE

SCALE 3/8"=1'-0"

SE-02029a

29



WINDOW HEAD - VINYL

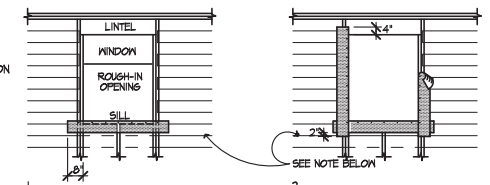
SCALE 3/8"=1'-0"

SE-02025a

25

WINDOW FLASHING

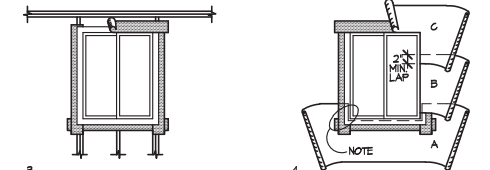
EXTERIOR OPENINGS EXPOSED TO THE WEATHER SHALL BE FLASHED IN SUCH A MANNER AS TO MAKE THEM WATERPROOF.



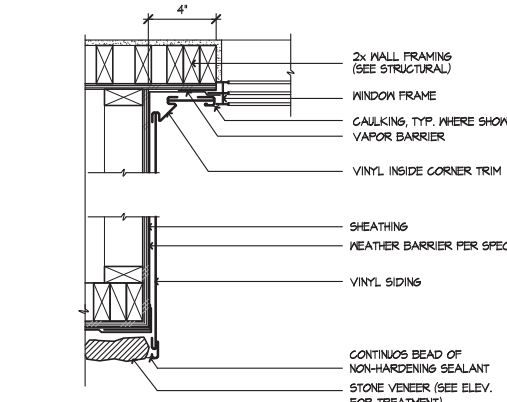
1. ATTACH SILL STRIP WITH TOP EDGE LEVEL WITH ROUGH SILL - EXTEND BEYOND EDGE OF ROUGH OPENING AT LEAST 6". SECURE ALL MOISTOP (OR EQUAL) WITH GALVANIZED NAILS OR POWER-DRIVEN STAPLES.
2. ATTACH JAMB STRIP WITH SIDE EDGE EVEN WITH ROUGH-JAMB FRAMING. START STRIP 1" BELOW LOWER EDGE OF SILL STRIP AND EXTEND 4" ABOVE LOWER EDGE OF LINTEL OR POWER-DRIVEN STAPLES.

NOTE: LINE-WIRE, WHEN USED AS BACKING TO SUPPORT BUILDING PAPER BENEATH WIRE LATH (NETTING) FOR PORTLAND CEMENT PLASTER (STUCCO), SHALL BE INSTALLED AS FOLLOWS:

1. WIRE GAUGE, SPACING, AND ATTACHMENT SHALL BE IN ACCORDANCE WITH REQUIREMENTS OF BUILDING DEPT. ITEMS 25-1.
2. PERIPHERAL FLASHING AT ALL EDGES OF WALL OPENINGS, MUST COVER THE WIRE BACKING.
3. NO ATTACHMENT DEVICES NOR THE WIRE BACKING SHALL COVER OR PENETRATE THE FLASHING MATERIAL.



3. INSTALL WINDOW JAMB NAILING FLANGES OVER A CONTINUOUS BEAD OF SEALANT ON THE MOISTOP (OR EQUAL). INSTALL THE WINDOW HEAD MOISTOP (OR EQUAL) ON A CONTINUOUS BEAD OF SEALANT APPLIED TO THE WINDOW HEAD NAILING FLANGE.
4. COMMENCING AT THE BOTTOM (SOLE PLATE) OF THE WALL, LAY BUILDING PAPER UNDER SILL STRIP. NOTE: CUT ANY EXCESS BUILDING PAPER THAT MAY EXTEND ABOVE THE SILL FLANGE LINE ON EACH SIDE OF (SHOWN AS SHORT DASHED LINES). DO NOT SLICE BUILDING PAPER HORIZONTALLY SO THAT THE PAPER WILL LAP OVER THE JAMB STRIPS. INSTALL SUCCESSIVE LINES OF BUILDING PAPER (B.G.D. ETC.) OVER JAMB AND HEAD FLANGES, LAPPING EACH COURSE.

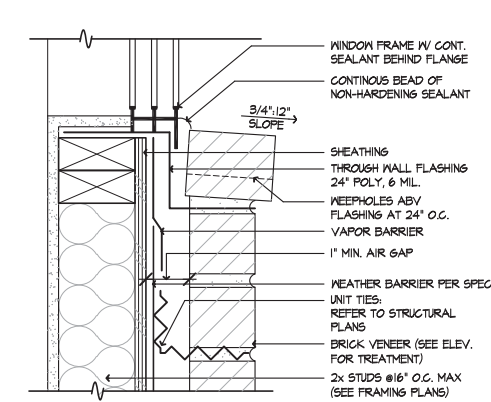


RECESSED WINDOW JAMB - STONE

SCALE 1/2"=1'-0"

SE-02038a

38

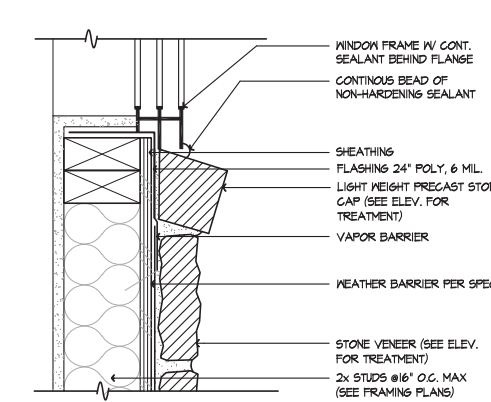


WINDOW SILL - BRICK

SCALE 3/8"=1'-0"

SE-02034a

34

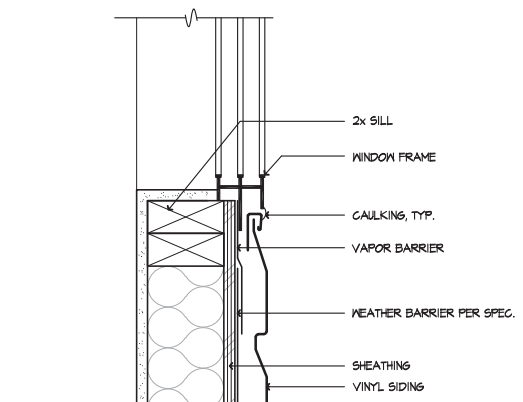


WINDOW SILL - STONE

SCALE 3/8"=1'-0"

SE-02030a

30



WINDOW SILL - VINYL

SCALE 3/8"=1'-0"

SE-02026a

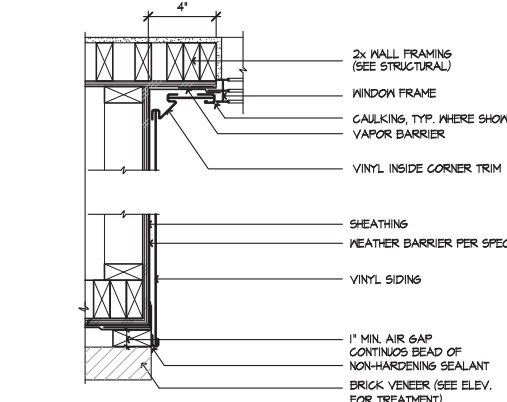
26

VAPOR BARRIER

SCALE 1/4"=1'-0"

SE-02022a

22

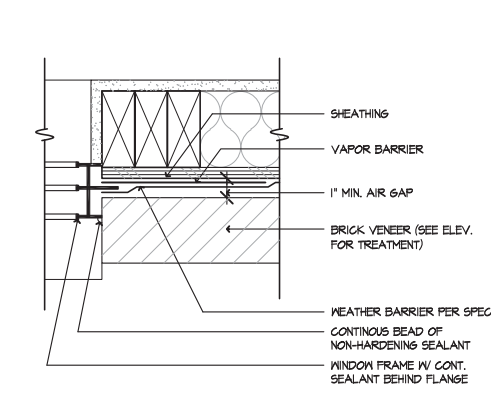


RECESSED WINDOW JAMB - BRICK

SCALE 1/2"=1'-0"

SE-02039a

39

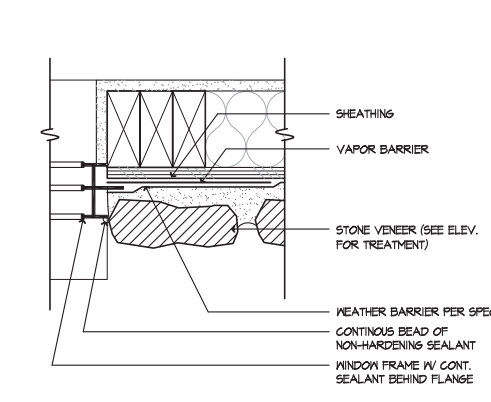


WINDOW JAMB - BRICK

SCALE 3/8"=1'-0"

SE-02035a

35

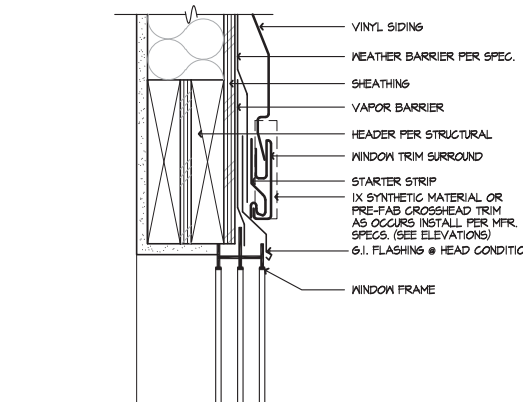


WINDOW JAMB - STONE

SCALE 3/8"=1'-0"

SE-02031a

31

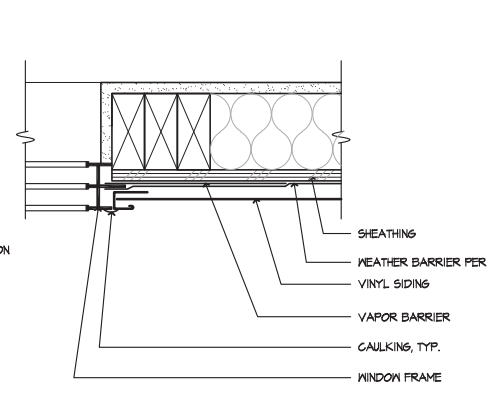


WINDOW HEAD - VINYL

SCALE 3/8"=1'-0"

SE-02027a

27

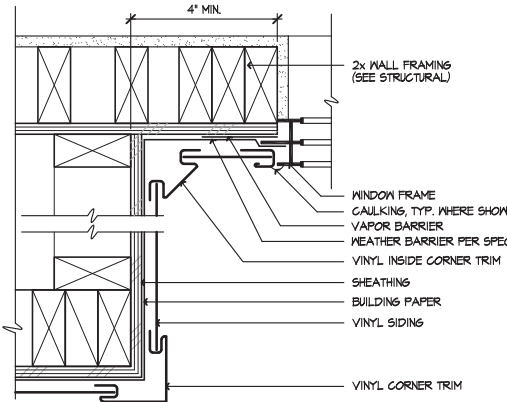


WINDOW JAMB - VINYL

SCALE 3/8"=1'-0"

SE-02028a

23

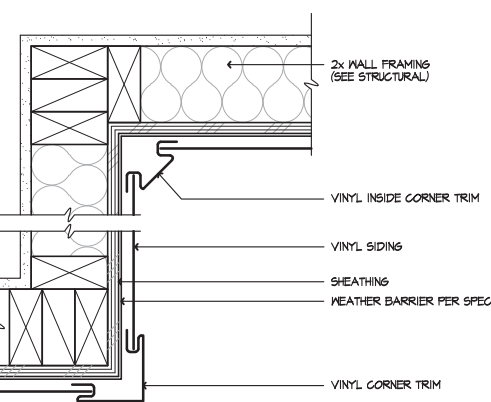


RECESSED WINDOW JAMB - VINYL

SCALE 3/8"=1'-0"

SE-02040a

40

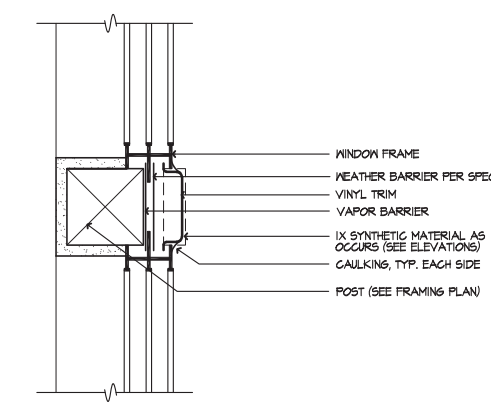


CORNER TRIM - VINYL

SCALE 3/8"=1'-0"

SE-02037a

36

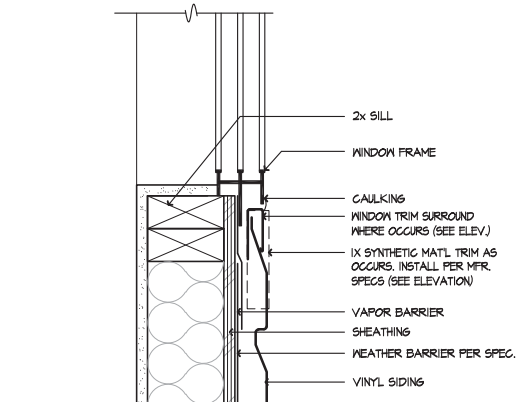


VERT. WDW. MULL.-VINYL

SCALE 3/8"=1'-0"

SE-02032a

32

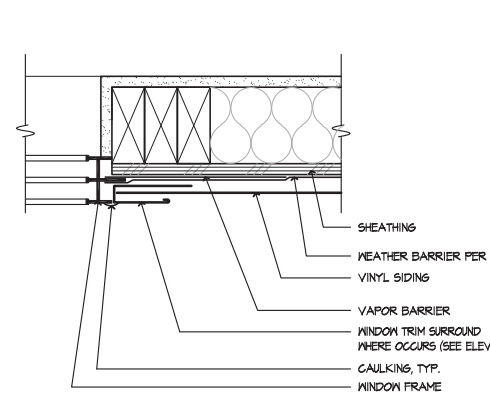


WINDOW SILL - VINYL

SCALE 3/8"=1'-0"

SE-02028a

28



WINDOW JAMB - VINYL

SCALE 3/8"=1'-0"

SE-02024a

24



DETAILS

KB HOME
NORTH CAROLINA DIVISION
4518 S. MIAMI BLVD.
SUITE 180
DURHAM, NC 27703
TEL: (919) 768-7988
FAX: (919) 472-0582

ISSUE DATE: 09/28/11
PROJECT No.: 1350
DIVISION MGR.: K.W.
REVISIONS: 01/24/19

- 1 COMPLIANCE REVIEW
NC12008 - 02/28/12 - CTD
- 2 2012 NC CODE UPDATE
NC12016 - 03/22/12 - CTD
- 3 DETAIL UPDATES
NC12953 - 11/3/15 - DC3
- 4 2018 NC CODE UPDATE
NC19015 - 01/24/19 - MCF

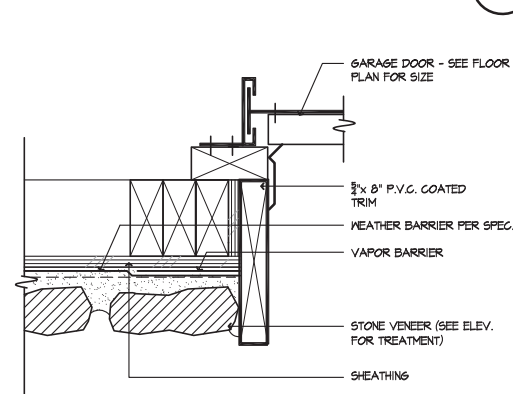
FOR INTERNAL USE ONLY

| REVISION | DATE | BY |
|----------|------|----|
| 1. | | |
| 2. | | |
| 3. | | |
| 4. | | |
| 5. | | |
| 6. | | |

PLAN: ALL
SHEET: AD2

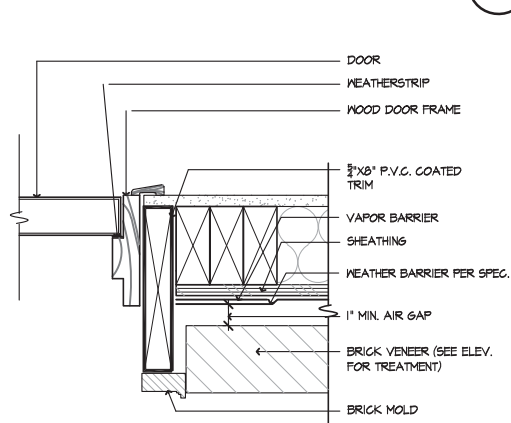
GARAGE DOOR HEAD - STONE

SCALE 1 1/2"=1'-0" SE-03057b



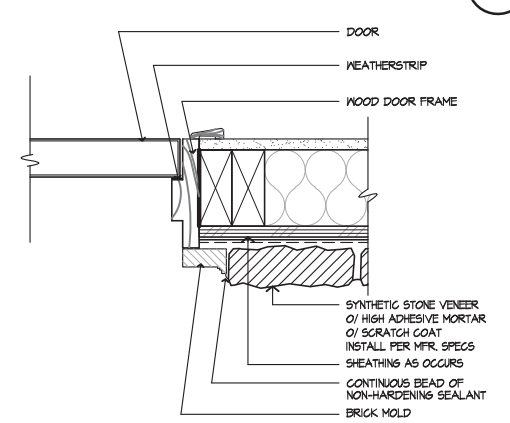
DOOR HEAD - BRICK

SCALE 3\"/>



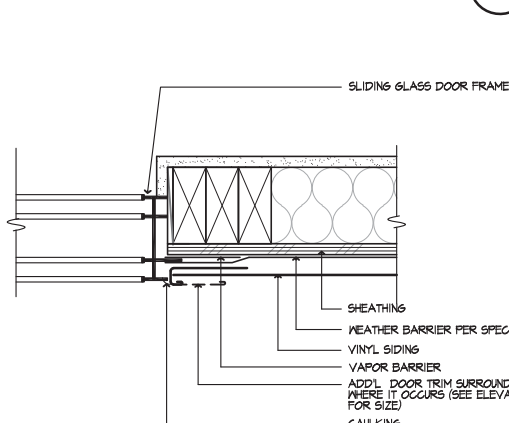
DOOR HEAD - STONE

SCALE 3\"/>



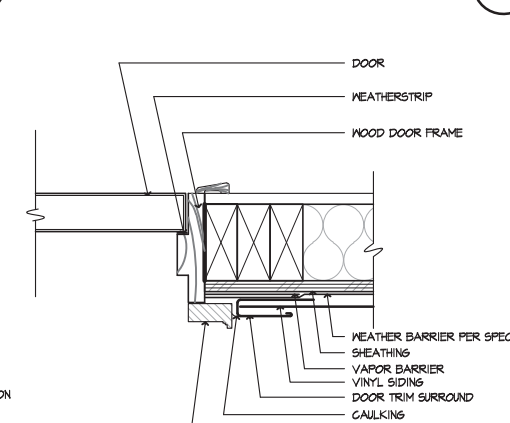
SLDGL. DOOR HEAD-VINYL

SCALE 3\"/>



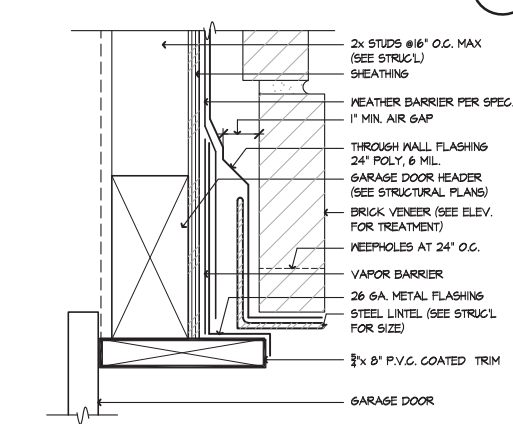
DOOR HEAD - VINYL

SCALE 3\"/>



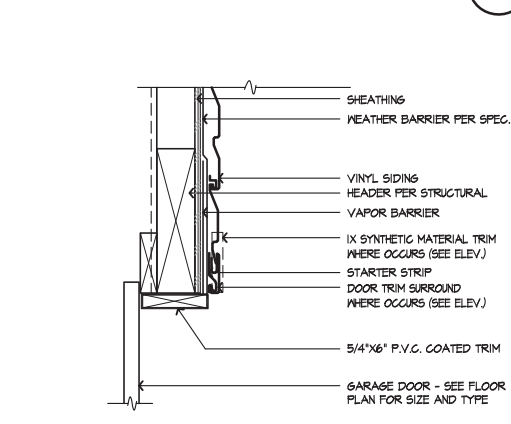
GARAGE DOOR JAMB - STONE

SCALE 3\"/>



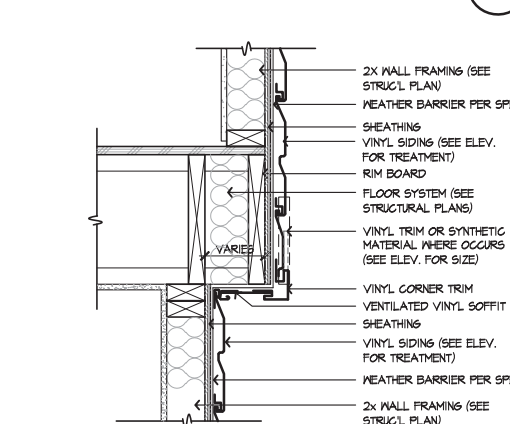
DOOR JAMB - BRICK

SCALE 3\"/>



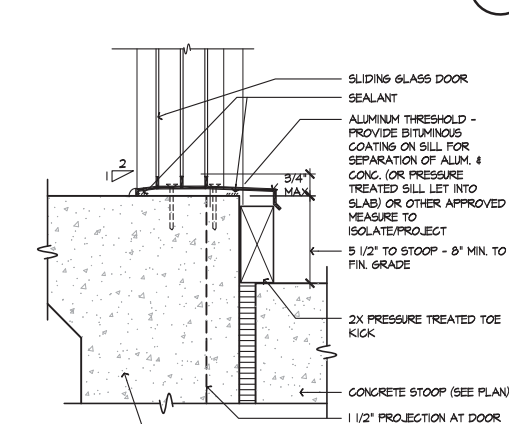
DOOR JAMB - STONE

SCALE 3\"/>



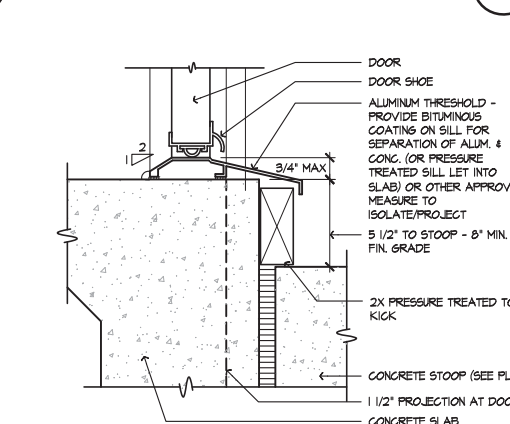
SLDGL. DOOR JAMB-VINYL

SCALE 3\"/>



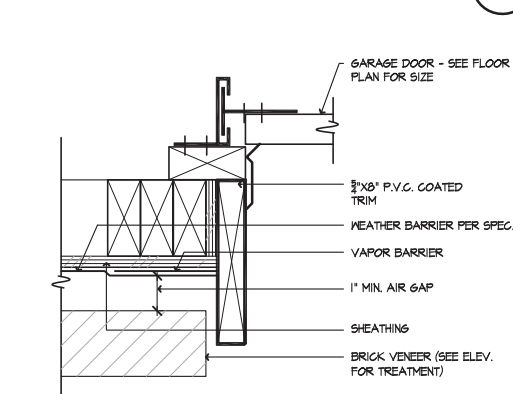
DOOR JAMB - VINYL

SCALE 3\"/>



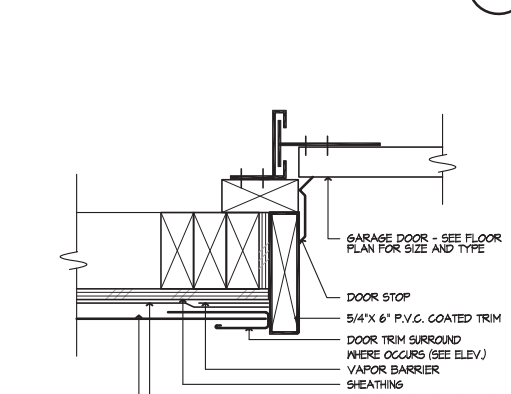
GARAGE DOOR HEAD - BRICK

SCALE 3\"/>



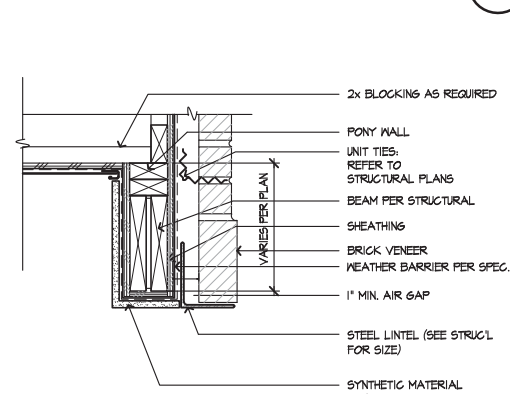
GARAGE DOOR HEAD - VINYL

SCALE 1 1/2\"/>



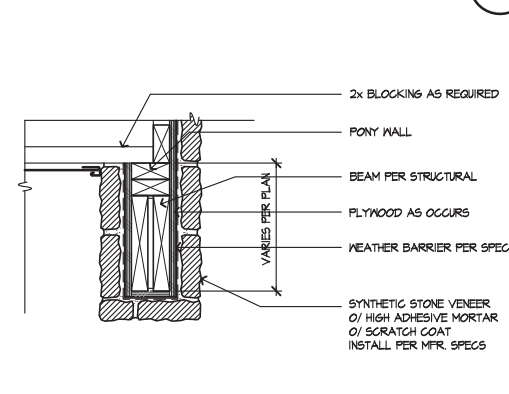
CANTILEVER

SCALE 1 1/2\"/>



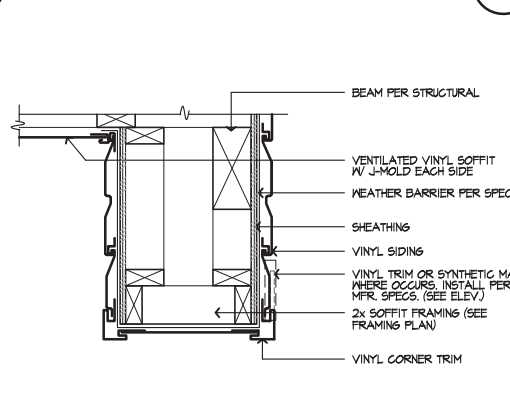
SLDGL. DOOR THRESHOLD

SCALE 3\"/>



SWING DOOR THRESHOLD

SCALE 3\"/>



GARAGE DOOR JAMB - BRICK

SCALE 3\"/>



GARAGE DOOR JAMB - VINYL

SCALE 3\"/>



SOFFIT @ PORCH - BRICK

SCALE 1 1/2\"/>



SOFFIT @ PORCH - STONE

SCALE 1 1/2\"/>



SOFFIT @ PORCH - VINYL

SCALE 1 1/2\"/>



DETAILS

KB HOME
NORTH CAROLINA DIVISION
4518 S. MIAMI BLVD.
SUITE 180
DURHAM, NC 27703
TEL: (919) 768-7988
FAX: (919) 472-0582

ISSUE DATE: 09/28/11
PROJECT No.: 1350
DIVISION MGR.: K.W.
REVISIONS: 01/24/19

- 1 COMPLIANCE REVIEW NCI2008 - 02/28/12 - CTD
- 2 2012 NC CODE UPDATE NCI2016 - 03/22/12 - CTD
- 3 DETAIL UPDATES NCI1903 - 11/3/15 - DC3
- 4 2018 NC CODE UPDATE NCI1915 - 01/24/19 - MCP

| FOR INTERNAL USE ONLY | |
|-----------------------|--|
| REVIEWED BY: | |
| 1. | |
| 2. | |
| 3. | |
| 4. | |
| 5. | |
| 6. | |

PLAN: ALL
SHEET: AD3

DETAILS

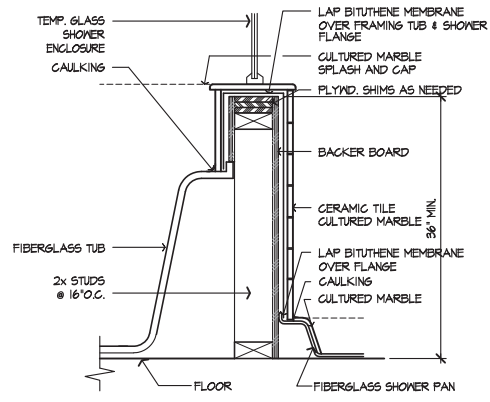
KB HOME
NORTH CAROLINA DIVISION
4518 S. MIAMI BLVD.
SUITE 180
DURHAM, NC 27703
TEL: (919) 768-7988
FAX: (919) 472-0582

ISSUE DATE: 09/28/11
PROJECT No.: 1350
DIVISION MGR.: K.W.
REVISIONS: 01/24/19

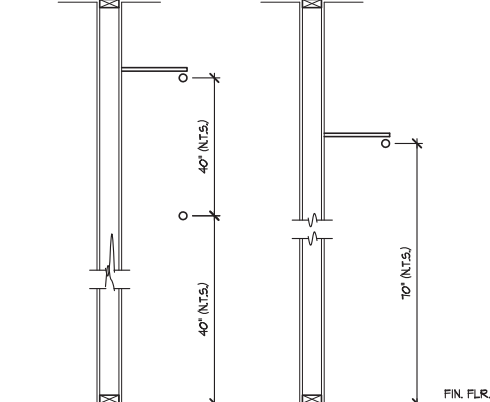
- 1 COMPLIANCE REVIEW
NC12008 - 02/28/12 - CTD
- 2 2012 NC CODE UPDATE
NC12016 - 03/22/12 - CTD
- 3 DETAIL UPDATES
NC15953 - 11/15 - DCS
- 4 2018 NC CODE UPDATE
NC19015 - 01/24/19 - MCP

| FOR INTERNAL USE ONLY | |
|-----------------------|--|
| REVIEWED BY: | |
| 1. | |
| 2. | |
| 3. | |
| 4. | |
| 5. | |
| 6. | |

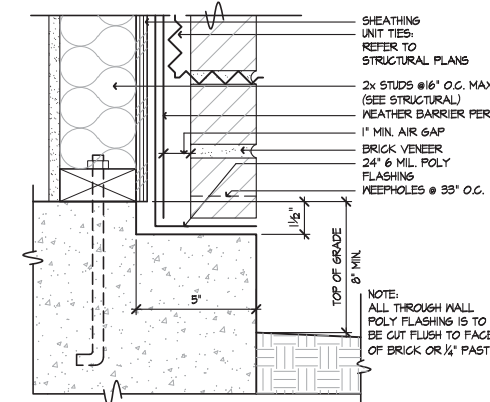
PLAN: **ALL**
SHEET: **AD4**



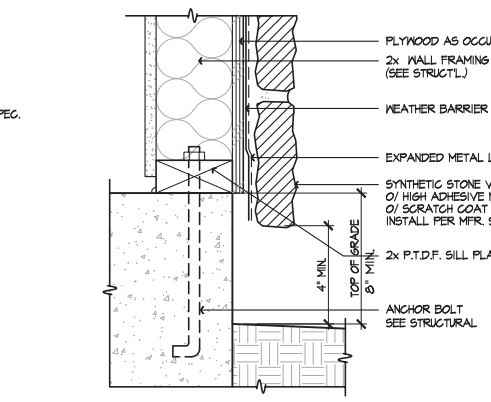
TUB/SHOWER WALL
SCALE 1/2"=1'-0"
SE-04071a



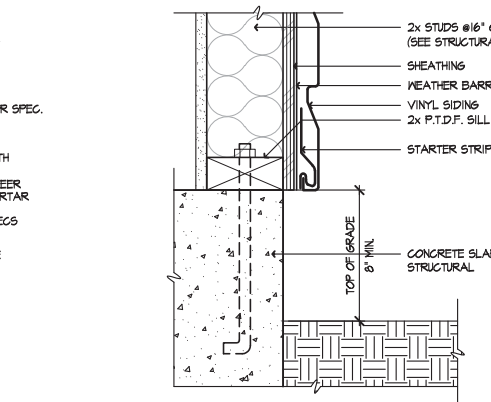
DBL./SGL. POLE & SHELF
SCALE 3/4"=1'-0"
SE-04073a



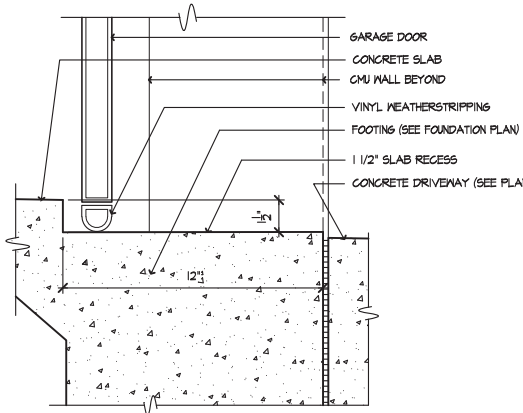
BRICK LEDGE AT SLAB
SCALE 3/4"=1'-0"
SE-04069a



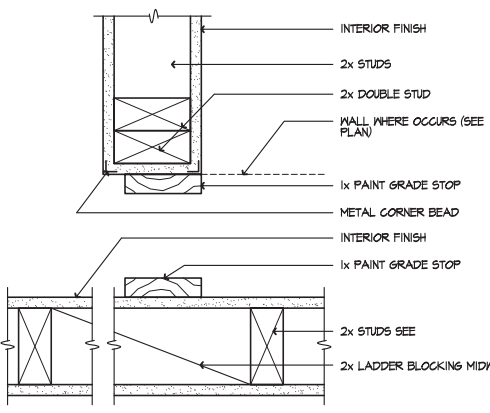
SYN. STONE SCREED
SCALE 3/4"=1'-0"
SE-04065a



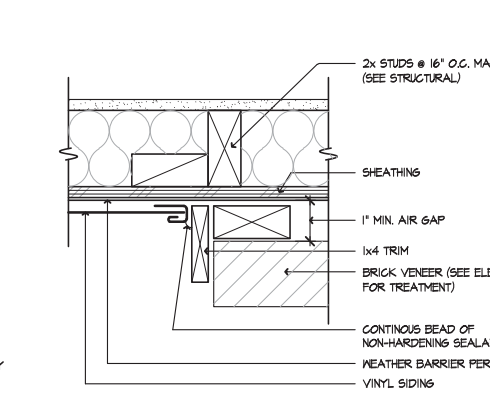
VINYL SIDING AT SLAB
SCALE 3/4"=1'-0"
SE-04061a



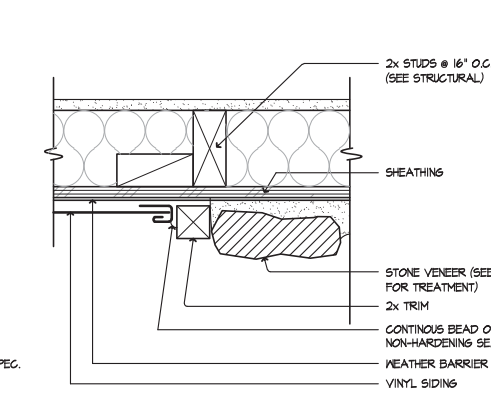
GARAGE SLAB RECESS
SCALE 1/2"=1'-0"
0810-01



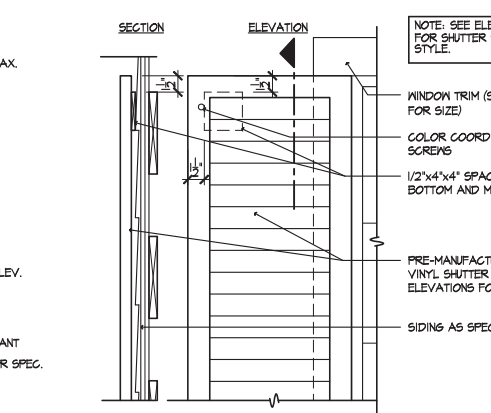
WARDROBE DOOR JAMB
SCALE 3/4"=1'-0"
SE-04074a



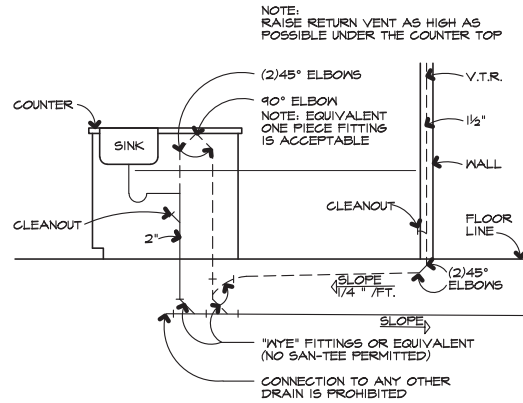
VINYL SIDING TO BRICK
SCALE 3/4"=1'-0"
SE-04070a



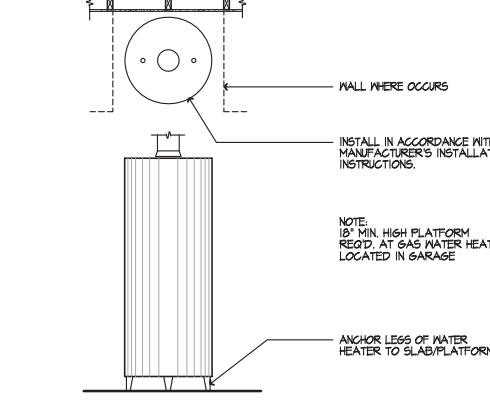
VINYL SIDING TO STONE
SCALE 3/4"=1'-0"
SE-04066a



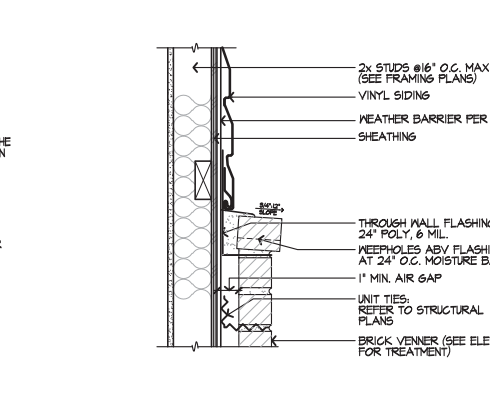
WINDOW SHUTTER
SCALE 1/2"=1'-0"
SE-04062a



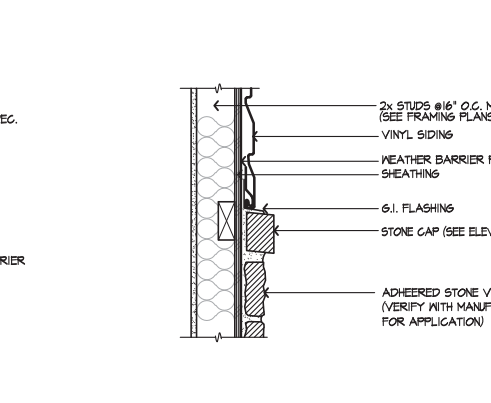
KITCHEN ISLAND
SCALE 1/2"=1'-0"
SE-04079a



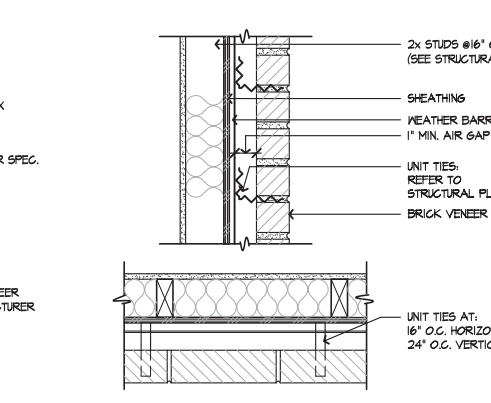
WATER HEATER
SCALE 1/2"=1'-0"
SE-04075a



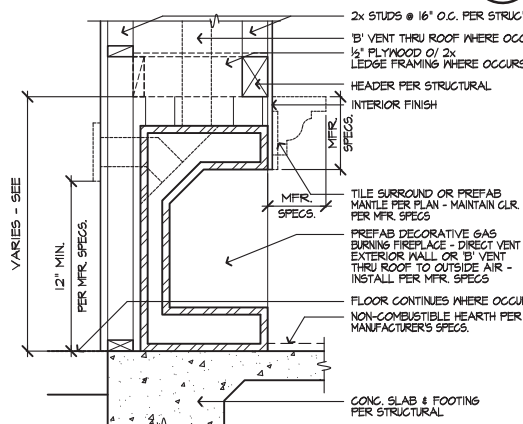
BRICK CAP @ VINYL
SCALE 1/2"=1'-0"
SE-04071a



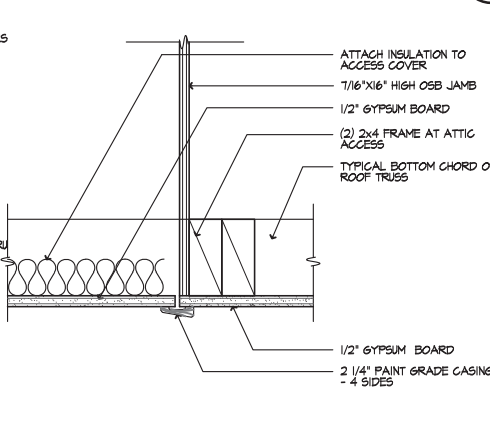
STONE CAP @ VINYL
SCALE 1/2"=1'-0"
SE-04067a



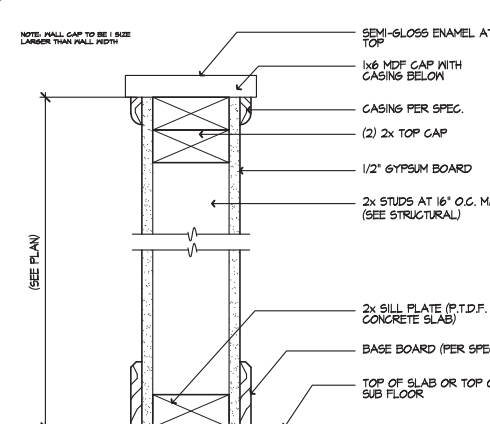
BRICK TIES
SCALE 1/2"=1'-0"
SE-04063a



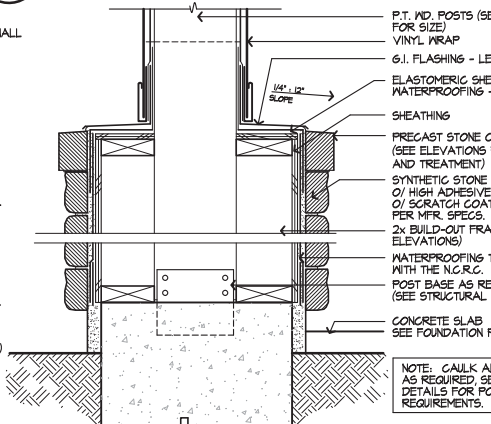
DECORATIVE GAS APPLIANCE
SCALE 1"=1'-0"
SE-04080a



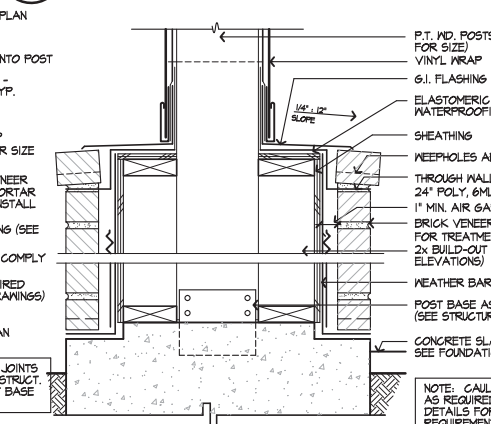
ATTIC ACCESS
SCALE 3/4"=1'-0"
SE-04076a



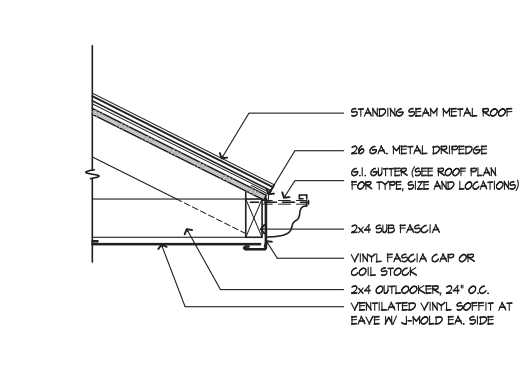
PONY WALL
SCALE 3/4"=1'-0"
SE-04072a



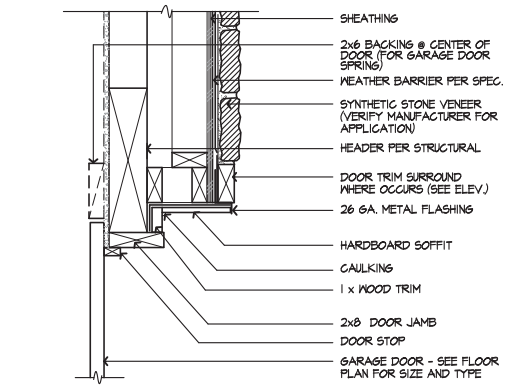
COLUMN BASE W/ STONE
SCALE 1/2"=1'-0"
SE-04068a



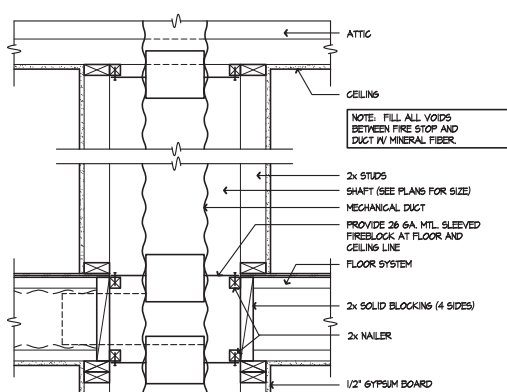
COLUMN BASE W/ BRICK
SCALE 1/2"=1'-0"
SE-04064a



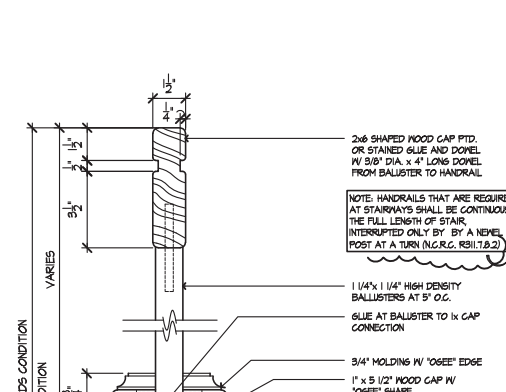
EAVE @ METAL ROOF
SCALE 1/2"=1'-0"
SE-05041a



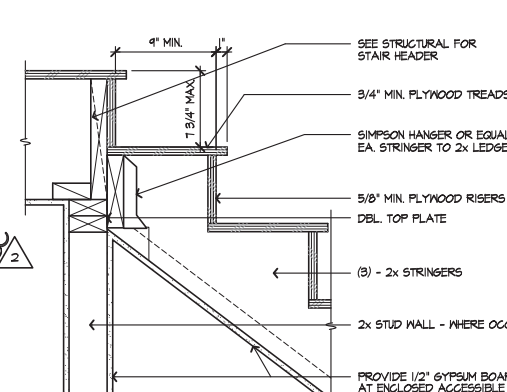
GARAGE DOOR HEAD - STONE
SCALE 1/2"=1'-0"
SE-05043a



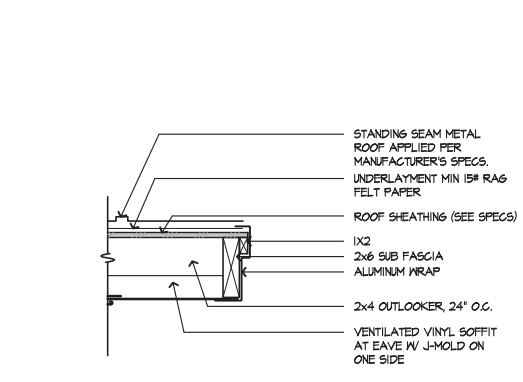
TYP. SHAFT AT 2nd FLR.
SCALE 1"=1'-0"
SE-05044a



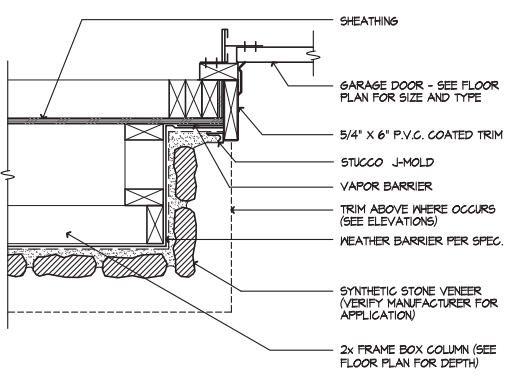
GUARDRAIL
SCALE 3/4"=1'-0"
SE-05086a



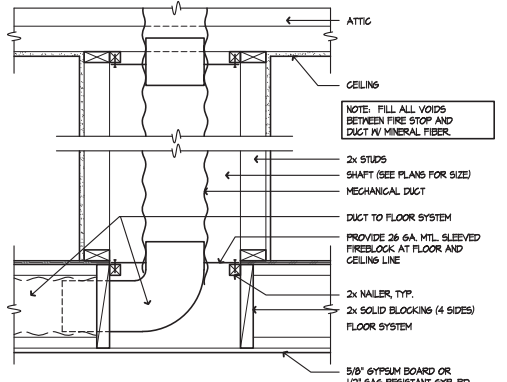
STAIR AT LANDING
SCALE 1/2"=1'-0"
SE-05081a



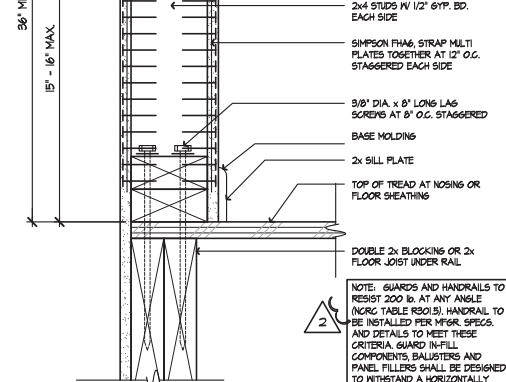
RAKE @ METAL ROOF
SCALE 1/2"=1'-0"
SE-05048a



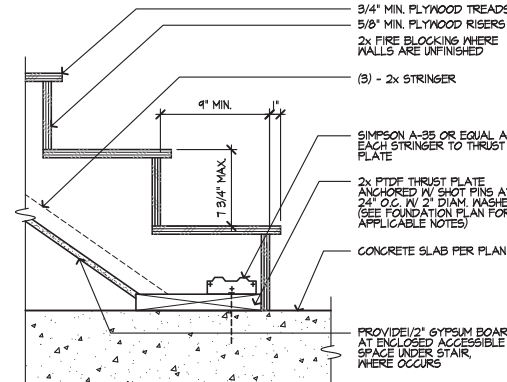
GARAGE DOOR JAMB - STONE
SCALE 1/2"=1'-0"
SE-05044a



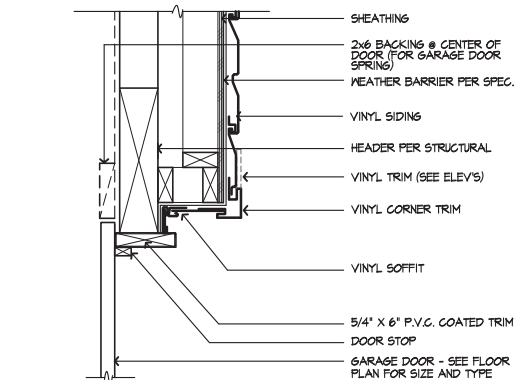
TYP. SHAFT AT 2nd FLR.
SCALE 1"=1'-0"
SE-05049a



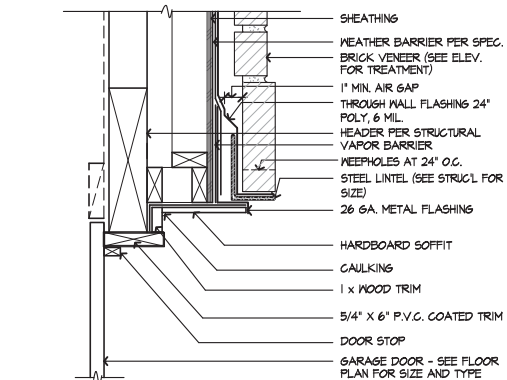
GUARDRAIL
SCALE 3/4"=1'-0"
SE-05086a



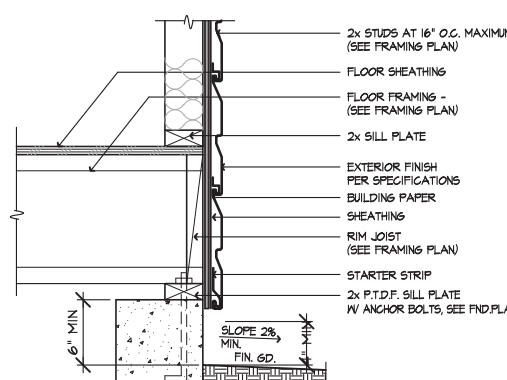
STAIR AT CONC. FLOOR
SCALE 1/2"=1'-0"
SE-05082a



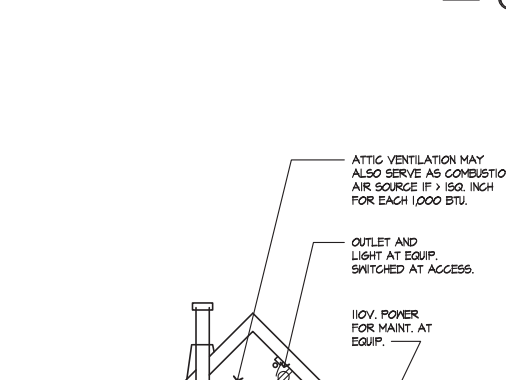
GARAGE DOOR HEAD - VINYL
SCALE 1/2"=1'-0"
SE-05049a



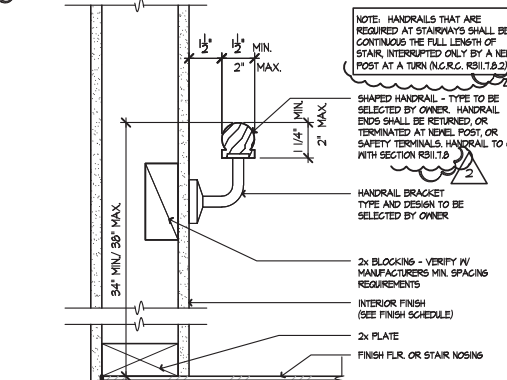
GARAGE DOOR JAMB - BRICK
SCALE 1/2"=1'-0"
SE-05045a



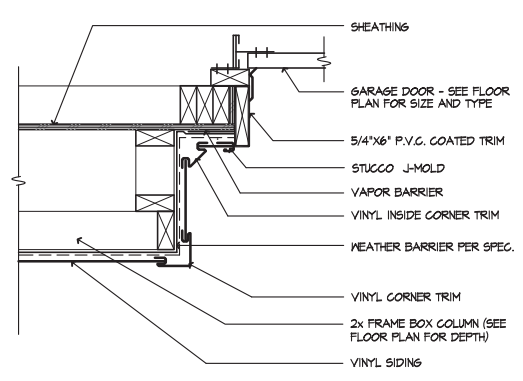
SIDING AT RAISED FLOOR
SCALE 1/2"=1'-0"
AD5-41B



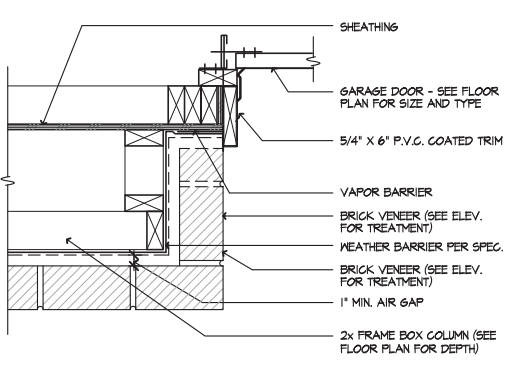
HANDRAIL AT WALL
SCALE 3/4"=1'-0"
SE-05083a



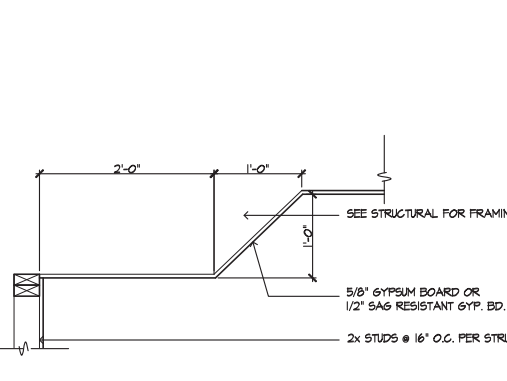
GUARDRAIL
SCALE 3/4"=1'-0"
SE-05086a



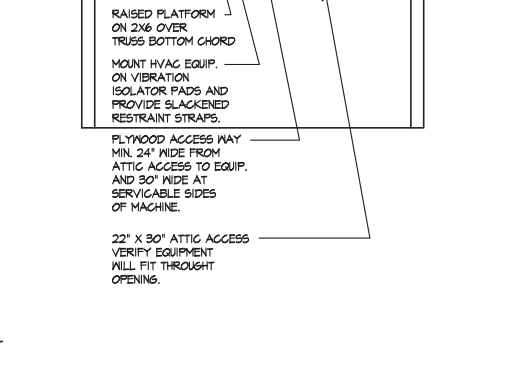
GARAGE DOOR HEAD - VINYL
SCALE 1/2"=1'-0"
SE-05049a



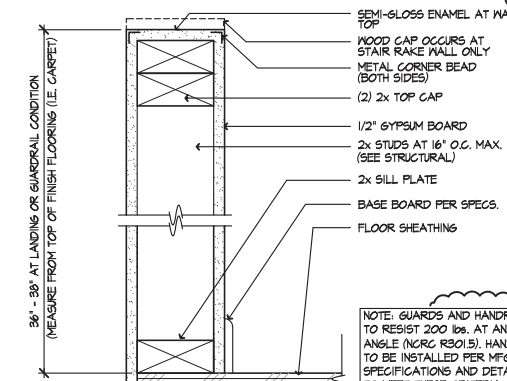
GARAGE DOOR JAMB - BRICK
SCALE 1/2"=1'-0"
SE-05046a



TRAY CEILING
SCALE 1"=1'-0"
SE-05042a



F.A.U. IN ATTIC
SCALE 1/2"=1'-0"
SE-05088a



GUARDWALL
SCALE 3/4"=1'-0"
SE-05084a

DETAILS

KB HOME
NORTH CAROLINA DIVISION

4518 S. MIAMI BLVD.
SUITE 180
DURHAM, NC 27703
TEL: (919) 768-7988
FAX: (919) 472-0582

ISSUE DATE: 09/28/11
PROJECT No.: 1350
DIVISION MGR.: K.W.
REVISIONS: 01/24/19

1 COMPLIANCE REVIEW
NC12066 - 02/28/12 - CTD

2 2012 NC CODE UPDATE
NC12016 - 03/22/12 - CTD

3 DETAIL UPDATES
NC15933 - 11/15 - DCS

4 2018 NC CODE UPDATE
NC19015 - 01/24/19 - MCF

FOR INTERNAL USE ONLY

| REVISION | DATE | DESCRIPTION |
|----------|------|-------------|
| 1 | | |
| 2 | | |
| 3 | | |
| 4 | | |
| 5 | | |
| 6 | | |

PLAN: ALL
SHEET: AD5



These designs and drawings are CONFIDENTIAL, and the exclusive property of KB Home Corporation, and are not to be disclosed without the express permission of KB Home Corporation. Copyright 2014. © KB Home Corporation. All rights reserved.

DETAILS

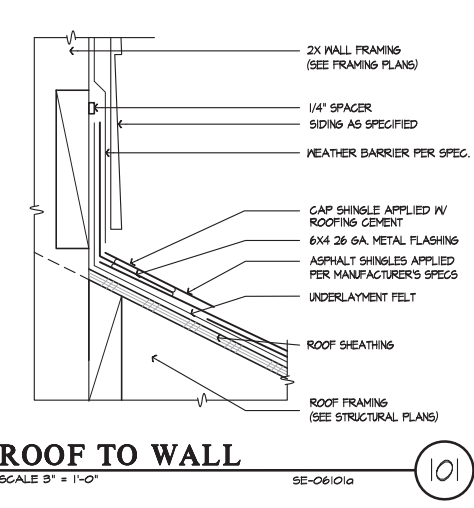
KB HOME
NORTH CAROLINA DIVISION
4518 S. MIAMI BLVD.
SUITE 180
DURHAM, NC 27703
TEL: (919) 768-7988
FAX: (919) 472-0582

ISSUE DATE: 09/28/11
PROJECT No.: 1350
DIVISION MGR.: K.W.
REVISIONS: 01/24/19

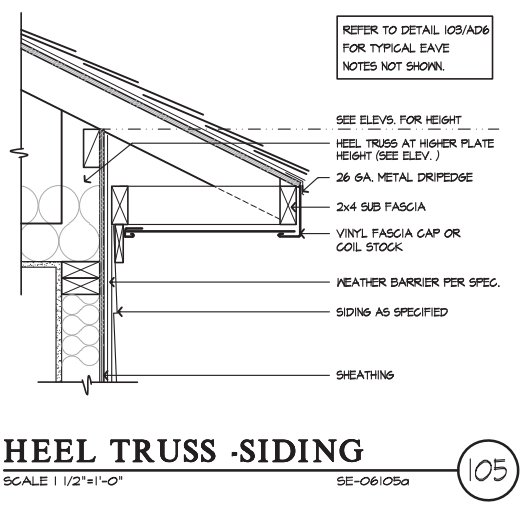
- 1 COMPLIANCE REVIEW
NC12068 - 02/28/12 - CTD
- 2 2012 NC CODE UPDATE
NC12016 - 03/22/12 - CTD
- 3 DETAIL UPDATES
NC15933 - 11/13/13 - DC3
- 4 2018 NC CODE UPDATE
NC19015 - 01/24/19 - MCP

| FOR INTERNAL USE ONLY | |
|-----------------------|------|
| REVISION BY: | DATE |
| 1 | |
| 2 | |
| 3 | |
| 4 | |
| 5 | |
| 6 | |

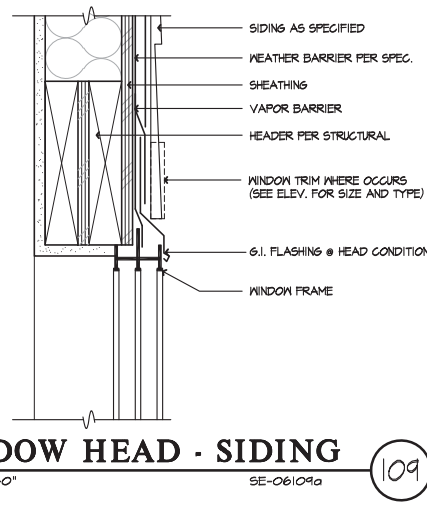
PLAN: ALL
SHEET: AD6



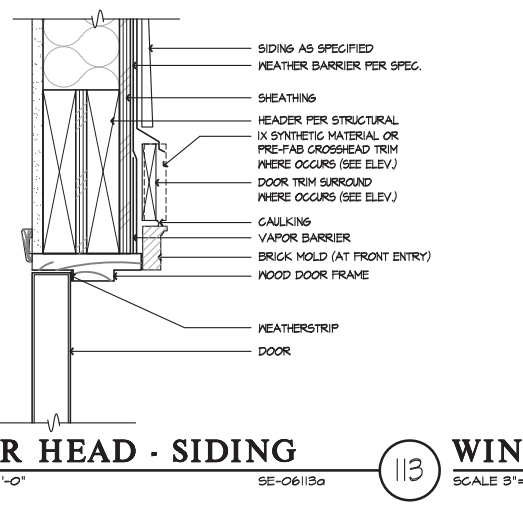
ROOF TO WALL
SCALE 3"=1'-0"
SE-06101a 101



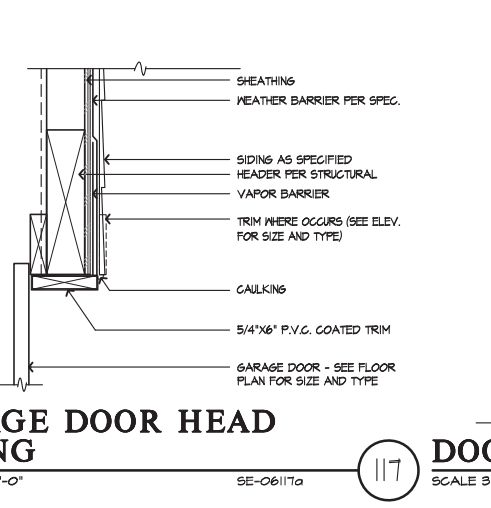
HEEL TRUSS -SIDING
SCALE 1 1/2"=1'-0"
SE-06105a 105



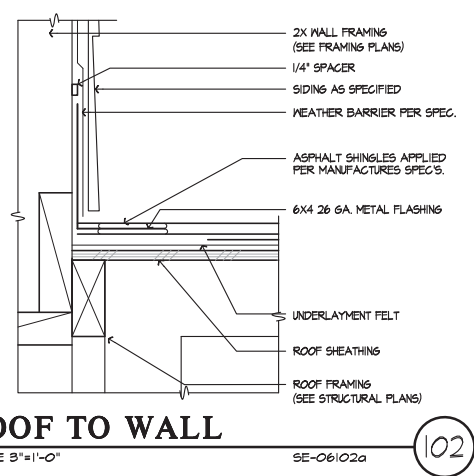
WINDOW HEAD - SIDING
SCALE 3"=1'-0"
SE-06109a 109



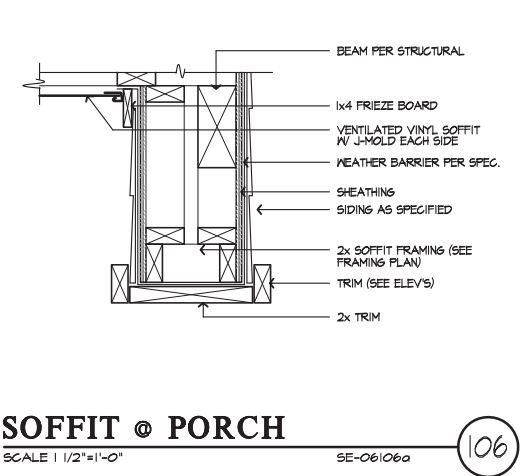
DOOR HEAD - SIDING
SCALE 3"=1'-0"
SE-06113a 113



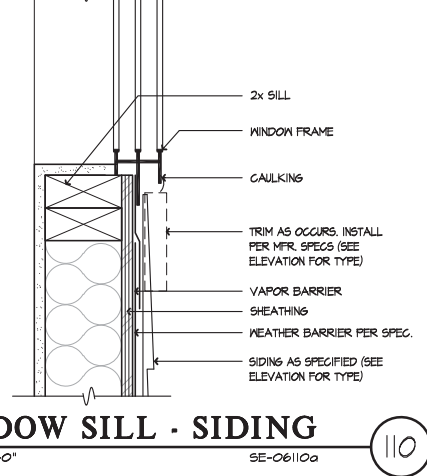
GARAGE DOOR HEAD -SIDING
SCALE 1 1/2"=1'-0"
SE-06117a 117



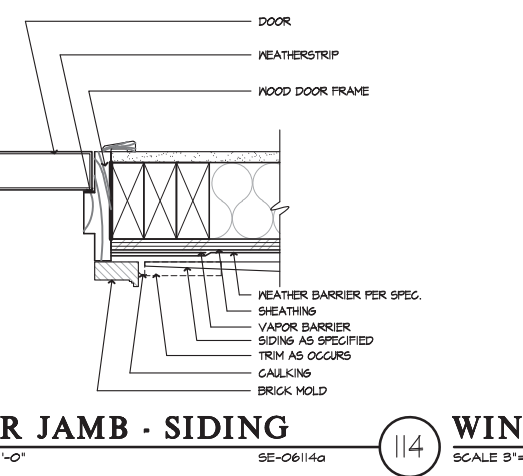
ROOF TO WALL
SCALE 3"=1'-0"
SE-06102a 102



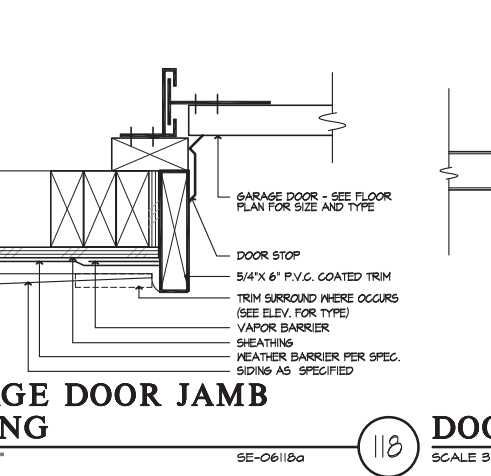
SOFFIT @ PORCH
SCALE 1 1/2"=1'-0"
SE-06106a 106



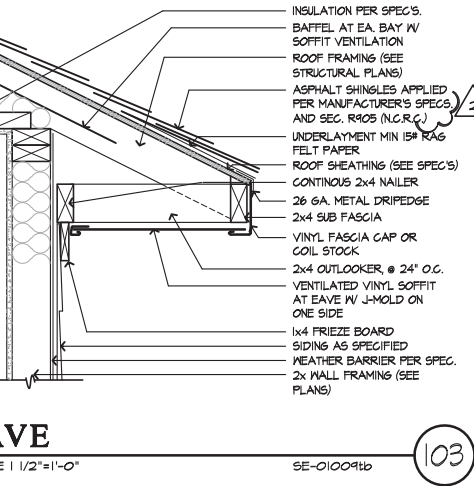
WINDOW SILL - SIDING
SCALE 3"=1'-0"
SE-06110a 110



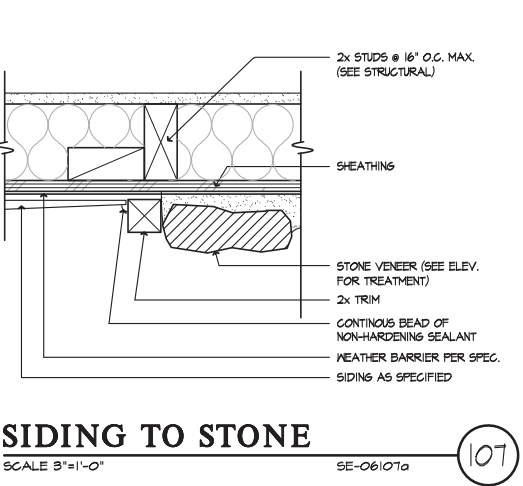
DOOR JAMB - SIDING
SCALE 3"=1'-0"
SE-06114a 114



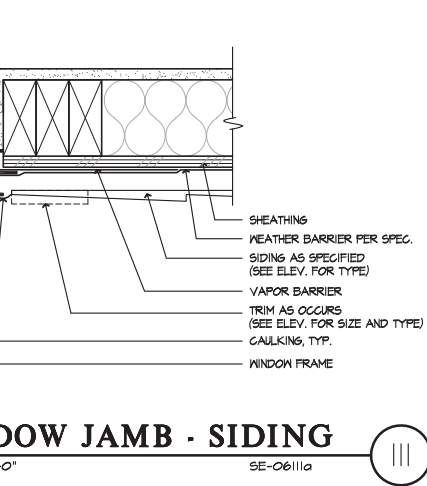
GARAGE DOOR JAMB - SIDING
SCALE 3"=1'-0"
SE-06118a 118



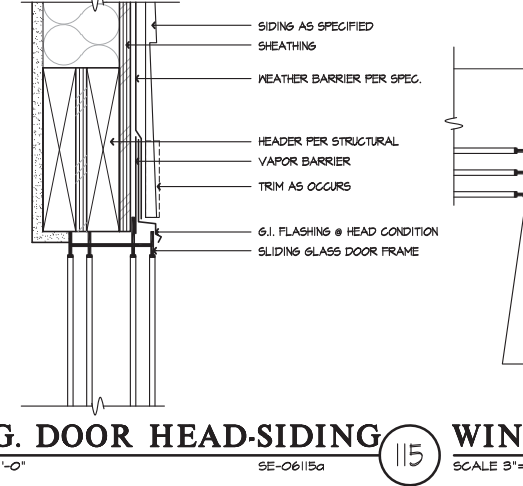
EAVE
SCALE 1 1/2"=1'-0"
SE-010091b 103



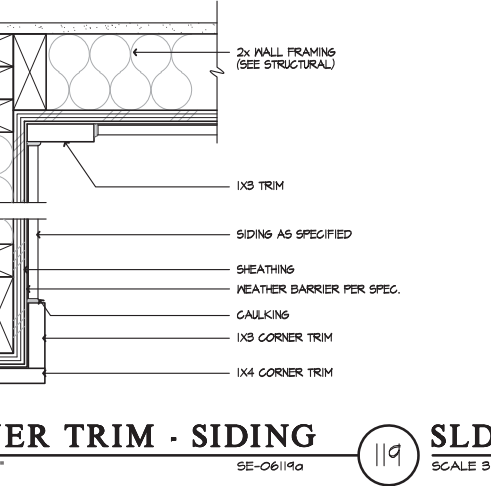
SIDING TO STONE
SCALE 3"=1'-0"
SE-06107a 107



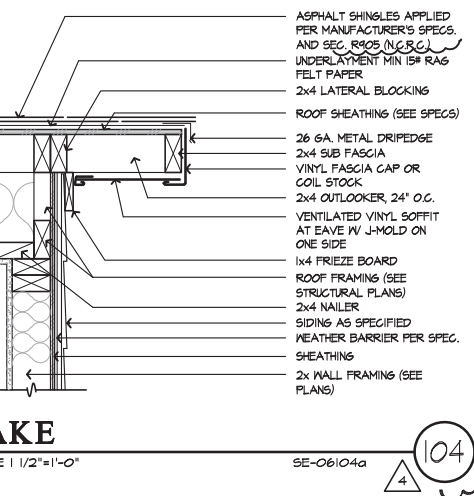
WINDOW JAMB - SIDING
SCALE 3"=1'-0"
SE-06111a 111



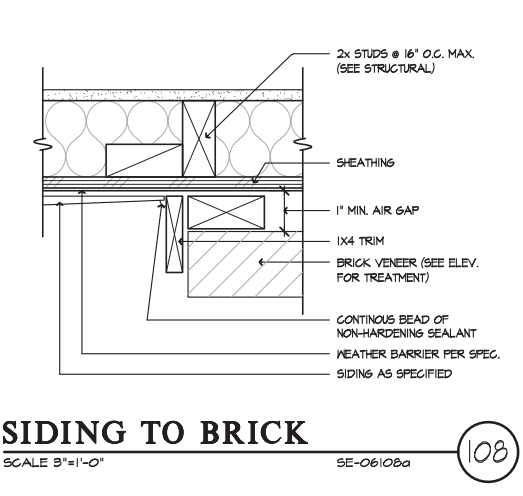
SLDG. DOOR HEAD-SIDING
SCALE 3"=1'-0"
SE-06115a 115



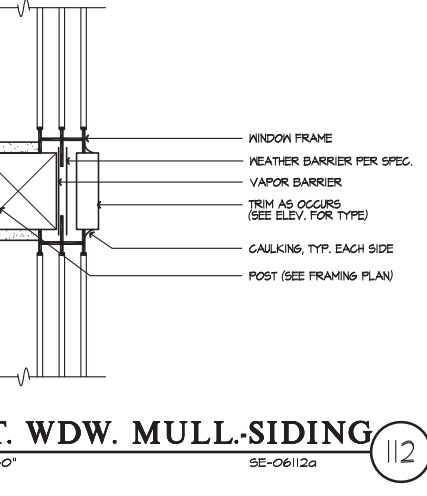
CORNER TRIM - SIDING
SCALE 3"=1'-0"
SE-06119a 119



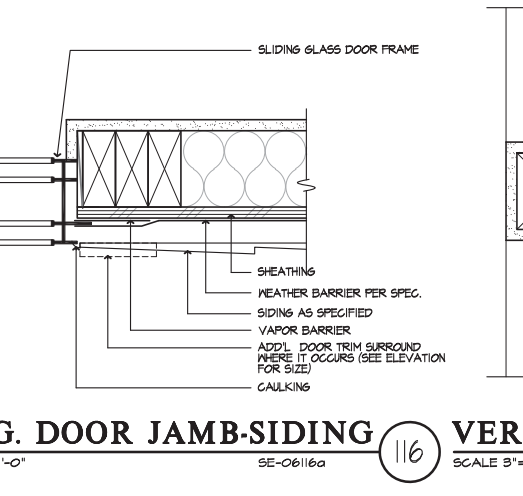
RAKE
SCALE 1 1/2"=1'-0"
SE-06104a 104



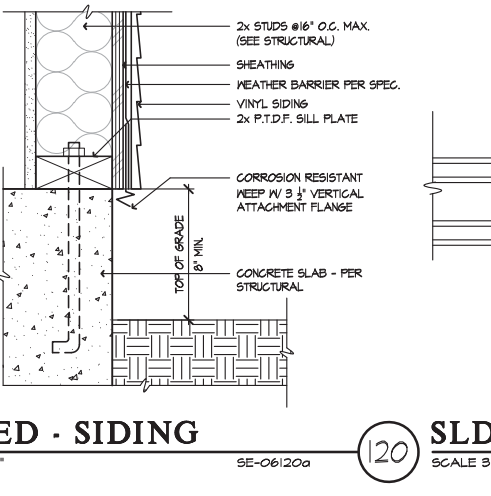
SIDING TO BRICK
SCALE 3"=1'-0"
SE-06108a 108



VERT. WDW. MULL.-SIDING
SCALE 3"=1'-0"
SE-06112a 112



SLDG. DOOR JAMB-SIDING
SCALE 3"=1'-0"
SE-06116a 116



SCREENED - SIDING
SCALE 3"=1'-0"
SE-06120a 120

SCREENED - SIDING

SCALE 3"=1'-0" SE-06120a

SLDG. DOOR JAMB-SIDING

SCALE 3"=1'-0" SE-06116a

VERT. WDW. MULL.-SIDING

SCALE 3"=1'-0" SE-06112a

SIDING TO BRICK

SCALE 3"=1'-0" SE-06108a

RAKE

SCALE 1 1/2"=1'-0" SE-06104a



DETAILS

KB HOME
NORTH CAROLINA DIVISION

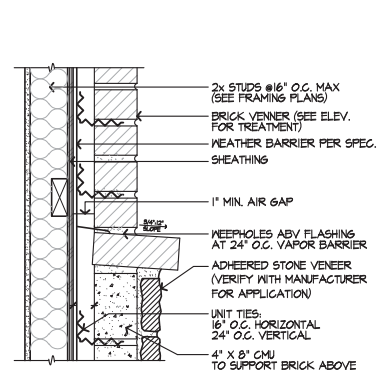
4518 S. MIAMI BLVD.
SUITE 180
DURHAM, NC 27703
TEL: (919) 768-7988
FAX: (919) 472-0582

ISSUE DATE: 09/28/11
PROJECT No.: 1350
DIVISION MGR.: K.W.
REVISIONS: 01/24/19

- 1 COMPLIANCE REVIEW
NC12808 - 02/28/12 - CTD
- 2 2012 NC CODE UPDATE
NC12816 - 03/22/12 - CTD
- 3 DETAIL UPDATES
NC15953 - 11/13/13 - DCS
- 4 2018 NC CODE UPDATE
NC19015 - 01/24/19 - MCP

| FOR INTERNAL USE ONLY | |
|-----------------------|--|
| REVIEWED BY: | |
| 1. | |
| 2. | |
| 3. | |
| 4. | |
| 5. | |
| 6. | |
| 7. | |

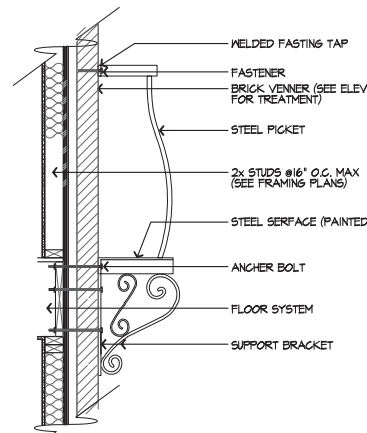
PLAN: **ALL**
SHEET: **AD7**



BRICK OVER STONE

NOT TO SCALE

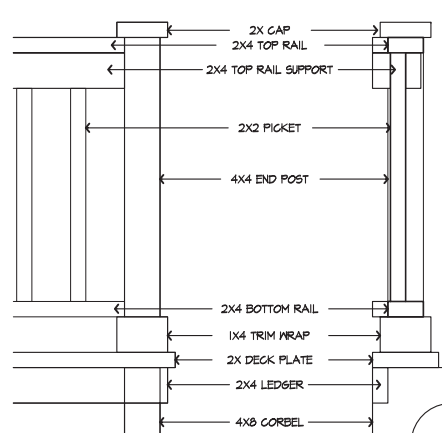
129 AD7



RAILING

NOT TO SCALE

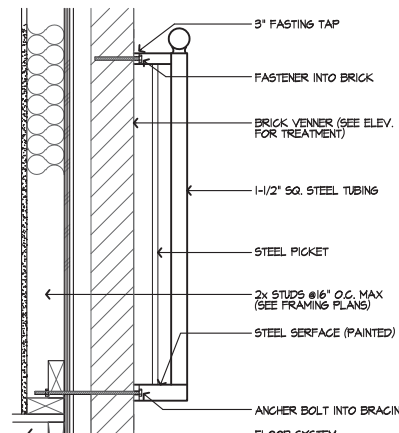
130 AD7



WOOD RAILING

NOT TO SCALE

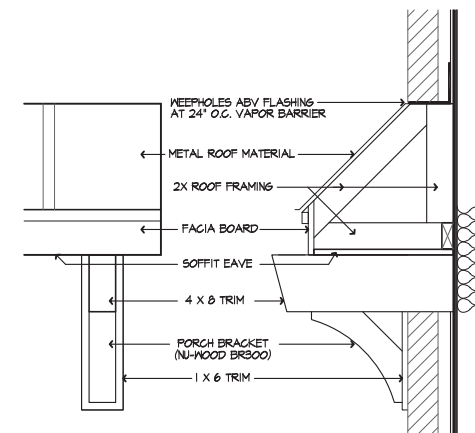
131 AD7



RAILING

NOT TO SCALE

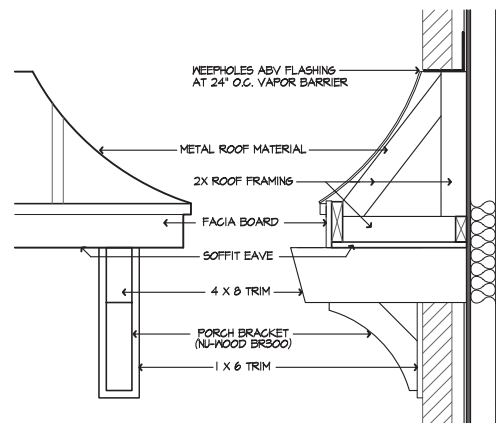
132 AD7



SHED ROOF

NOT TO SCALE

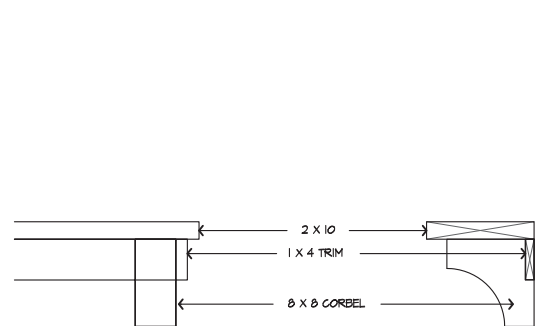
133 AD7



CURVED SHED ROOF

NOT TO SCALE

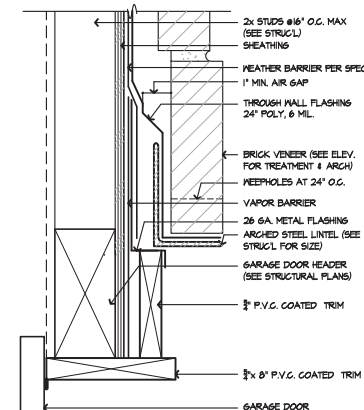
134 AD7



WINDOW LEDGE

NOT TO SCALE

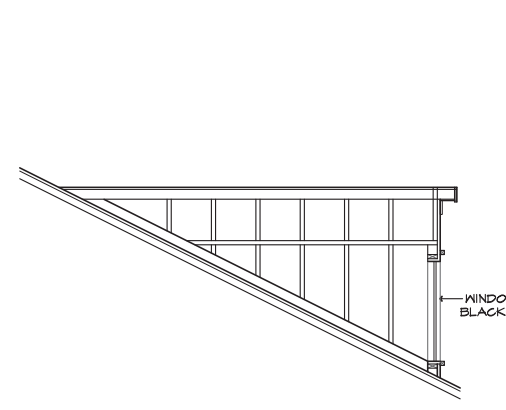
136 AD7



GARAGE DOOR HEAD W/ ARCHED BRICK

NOT TO SCALE

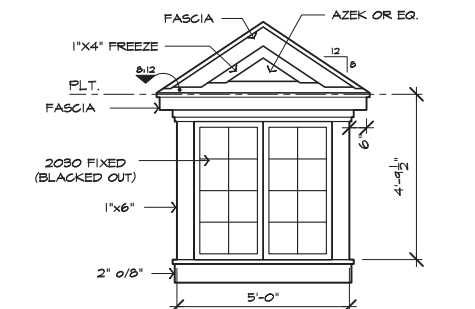
138 AD7



TYP. DORMER

NOT TO SCALE

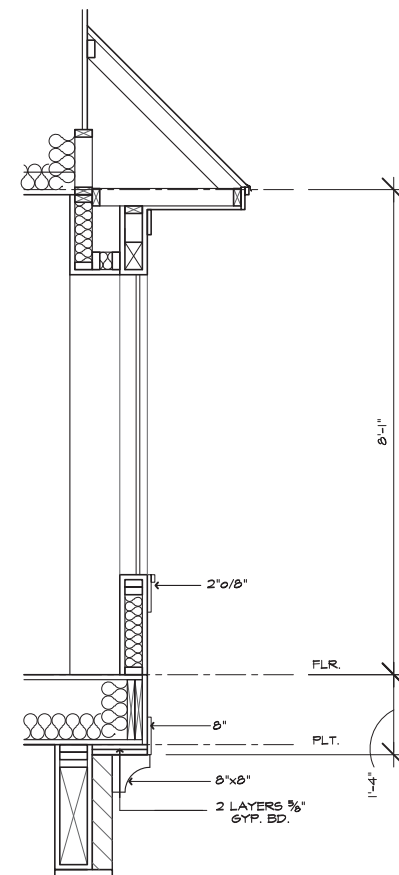
137 AD7



EYEBROW DORMER

NOT TO SCALE

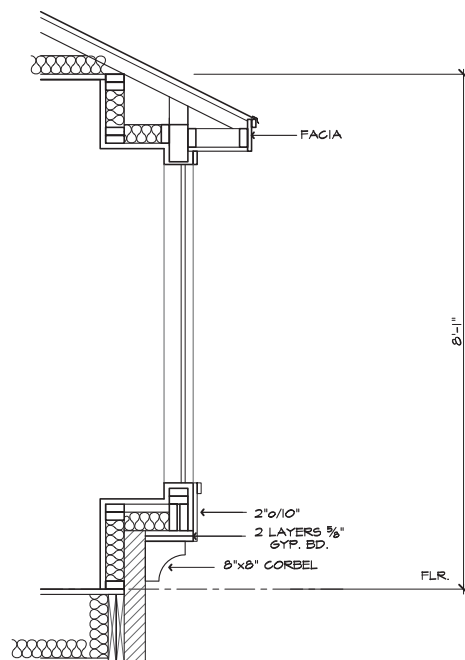
139 AD7



BAY

NOT TO SCALE

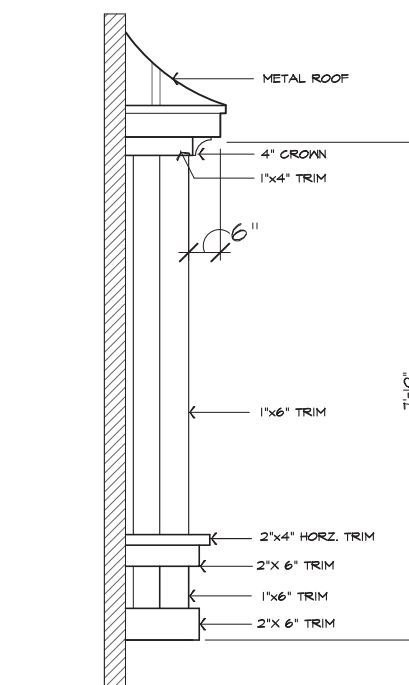
135 AD7



BAY (2)

NOT TO SCALE

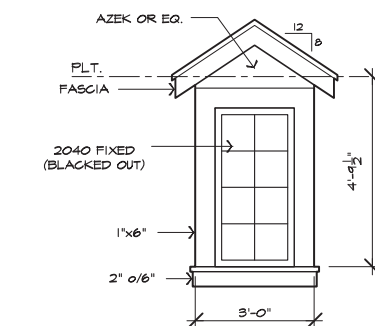
144 AD7



BAY (2)

NOT TO SCALE

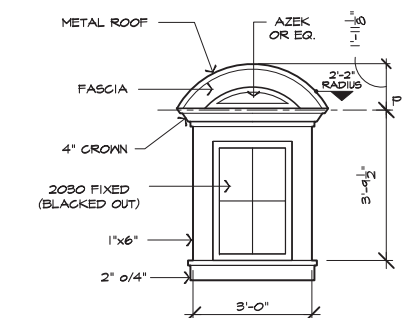
145 AD7



GABLE ROOF DORMER

NOT TO SCALE

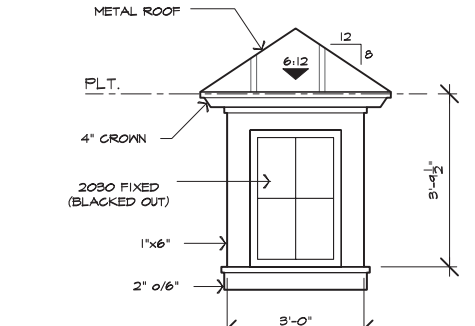
140 AD7



ARCHED ROOF DORMER

NOT TO SCALE

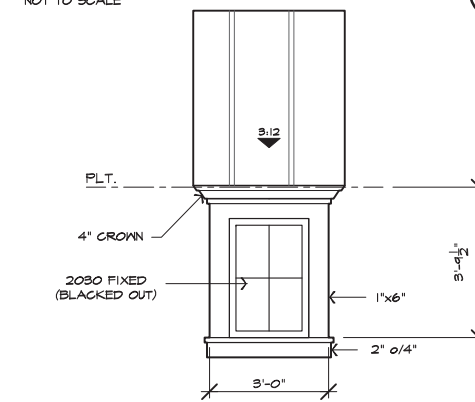
142 AD7



TYP. HIP DORMER

NOT TO SCALE

141 AD7

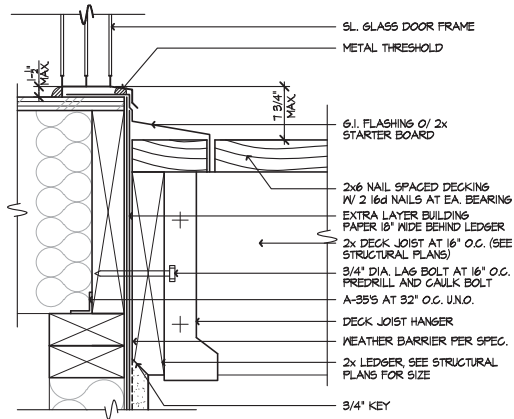


TYP. SHED ROOF DORMER

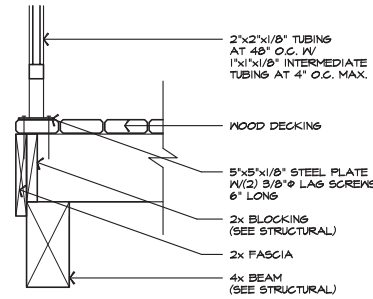
NOT TO SCALE

143 AD7

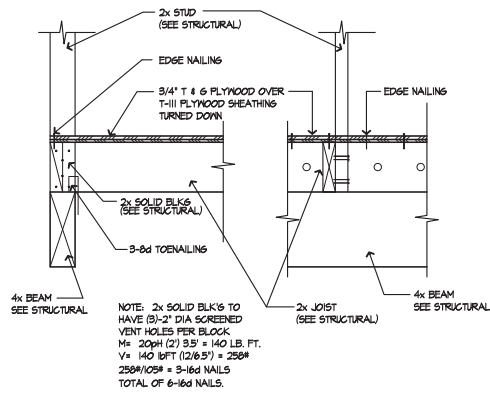
These designs and drawings are CONFIDENTIAL and the exclusive property of KB Home Corporation and are not to be disclosed without the express permission of KB Home Corporation. Copyright 2014 © KB Home Corporation. All rights reserved.



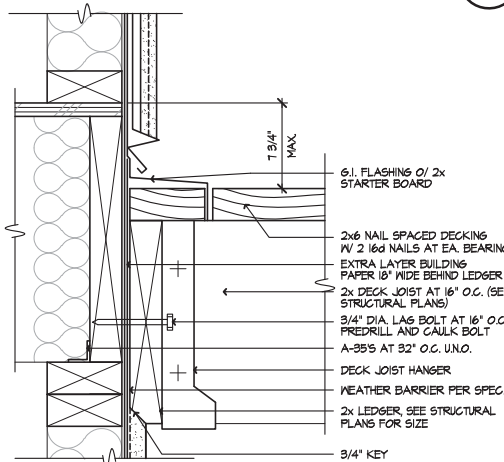
SL. DR. TRESHOLD @ DECK 154
SCALE 3/4"=1'-0"
0310-02 ADB



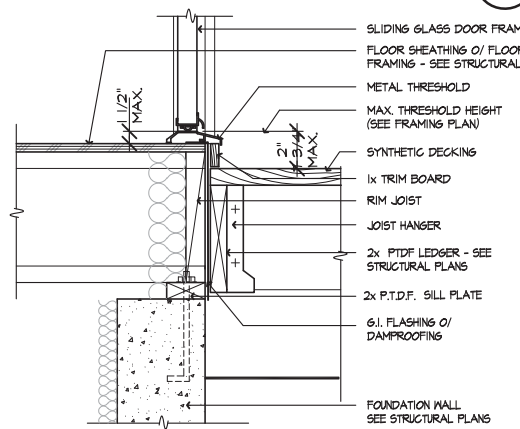
DECK FRAMING 150
SCALE 1"=1'-0"
ADB



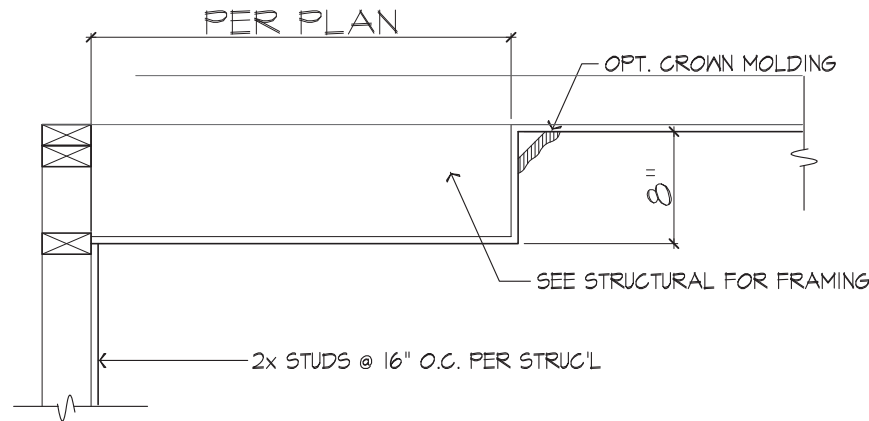
DECK FRAMING 151
SCALE 1"=1'-0"
ADB



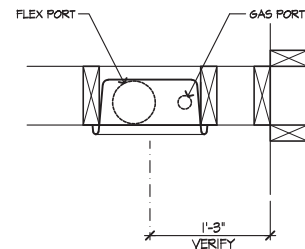
WALL @ DECK 152
SCALE 3/4"=1'-0"
ADB-152 ADB



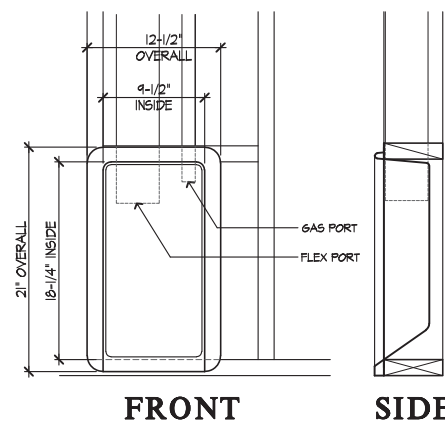
SWING DOOR THRESHOLD 153
SCALE 1 1/2"=1'-0"
0220-01c ADB



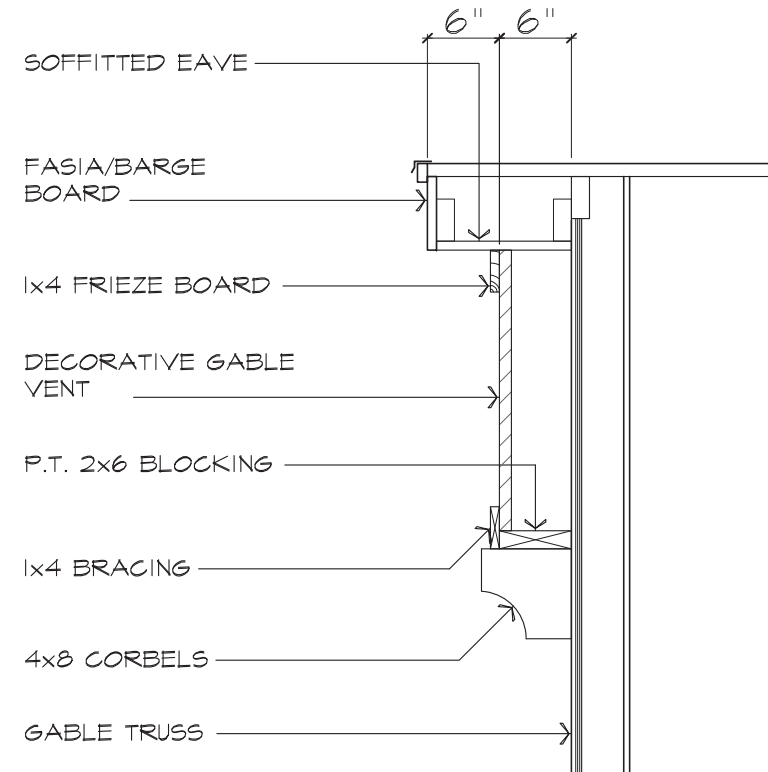
BOX TRAY CEILING
NOT TO SCALE



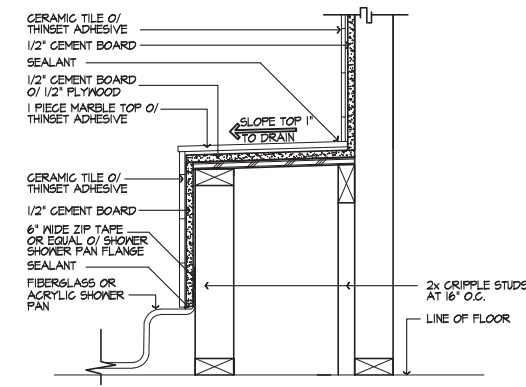
PLAN VIEW



DRYER BOX DETAIL 149
SCALE: N.T.S. ADB-149 ADB



GABLE VENT DETAIL
NOT TO SCALE



SHOWER PAN SEAT 146
SCALE 1 1/2"=1'-0"
BA-001A ADB



DETAILS

KB HOME
NORTH CAROLINA DIVISION
4518 S. MIAMI BLVD.
SUITE 180
DURHAM, NC 27703
TEL: (919) 768-7988
FAX: (919) 472-0582

ISSUE DATE: 09/28/11
PROJECT No.: 1350
DIVISION MGR.: K.W.
REVISIONS: 01/24/19

- 1 COMPLIANCE REVIEW
NC12008 - 02/28/12 - CTD
- 2 2012 NC CODE UPDATE
NC12016 - 03/22/12 - CTD
- 3 DETAIL UPDATES
NC15053 - 11/15 - DC3
- 4 2018 NC CODE UPDATE
NC19015 - 01/24/19 - MCF

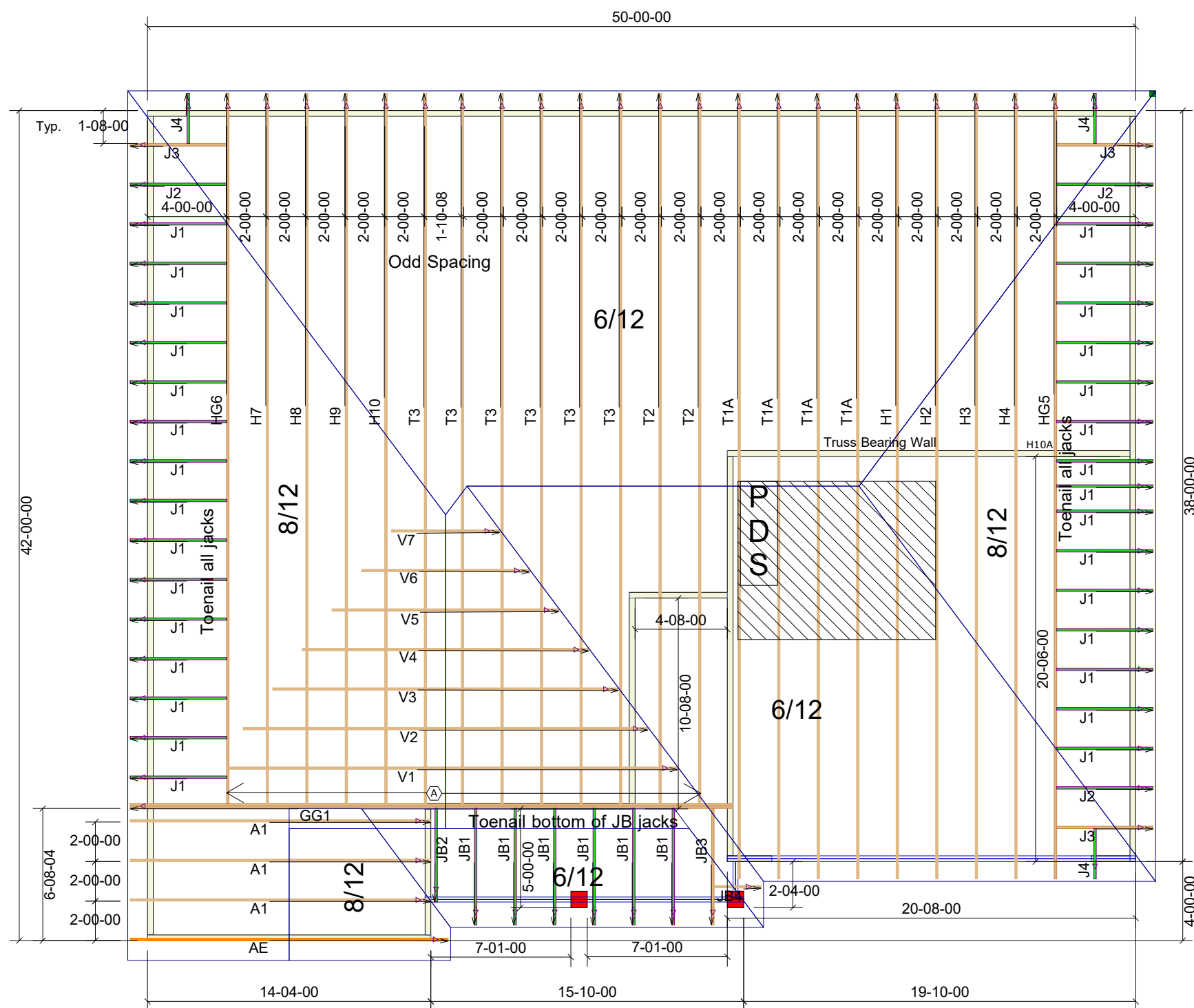
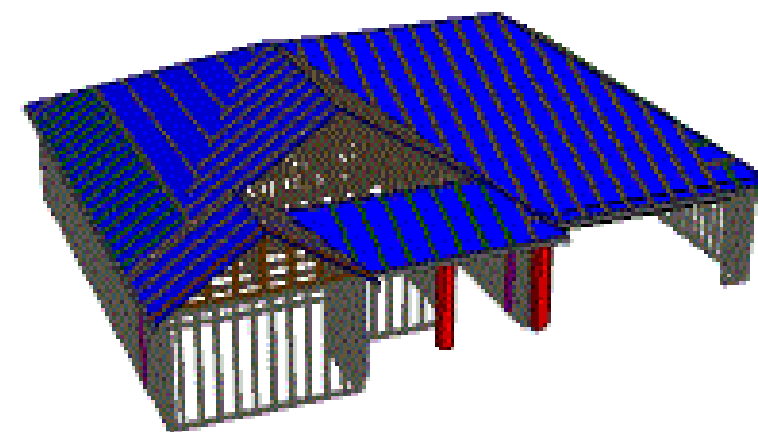
| FOR INTERNAL USE ONLY | |
|-----------------------|--|
| REVIEWED BY: | |
| 1. | |
| 2. | |
| 3. | |
| 4. | |
| 5. | |
| 6. | |

PLAN: **ALL**
SHEET: **AD8**

THIS LAYOUT IS INTENDED FOR THE PURPOSE OF TRUSS LOCATION AND PLACEMENT ONLY. REFER TO THE BUILDING PLANS FOR ACTUAL BUILDING CONSTRUCTION.



DEDICATED TO QUALITY AND EXCELLENCE
 200 EMMETT ROAD
 DUNN, NORTH CAROLINA 28334
 PHONE: 910-892-8400
 FAX: 910-892-8384



| Truss Connector List | | | |
|----------------------|---------|---------|-----|
| Symbol | Manuf | Product | Qty |
| A | Simpson | HUS26 | 13 |
| H10A | Simpson | H10A | 1 |

12-16-20 REV for GOR

PROJECT: **Lot 38 Highland Grove**
 CUSTOMER: **KB HOME**
 MODEL: **150.1446 "C" GOR**
 SCALE: **NOT TO SCALE**
 DRAWN BY: **MWM**
 PRINT DATE: **12-16-20**
 ORDER #: **25091**
 SHIP DATE: **2020**

TOP LIVE: 20 PSF

TOP DEAD: 10 PSF

BOTM DEAD: 10 PSF

WIND SPD: 130 MPH

GENERAL NOTES:
 DO NOT CUT OR MODIFY TRUSSES.
 TRUSSES ARE SPACED 24" ON CENTER UNLESS NOTED OTHERWISE.
 REFER TO THE INDIVIDUAL TRUSS DESIGN DRAWINGS FOR THE LOCATION OF LATERAL BRACING AND MULTI-PLY CONNECTION REQUIREMENTS.
 PER ANSI TPI 1-2002 THE TRUSS ENGINEER IS RESPONSIBLE FOR TRUSS TO TRUSS CONNECTIONS AND TRUSS PLY TO PLY CONNECTIONS. THIS TRUSS PLACEMENT PLAN RECOMMENDS TRUSS TO BEARING CONNECTIONS AND TRUSS TO BEAM CONNECTIONS WHICH SHALL BE REVIEWED BY THE BUILDING DESIGNER. IT IS THE RESPONSIBILITY OF THE BUILDING DESIGNER TO RESOLVE ALL ROOF FORCES ADEQUATELY TO THE FOUNDATION.

STRUCTURAL PLANS FOR:



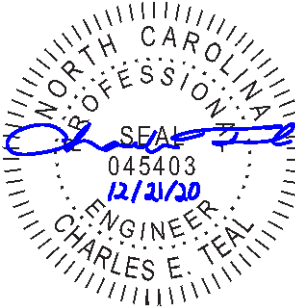
150.1446 - RH GARAGE



PLAN RELEASE / REVISIONS

| REV DATE | ARCH PLAN VERSION | REVISION DESCRIPTION | DRFT |
|------------|---------------------------------|--|------|
| 12/16/2020 | 1446-150-01350 RH D3 - 10.06.20 | INITIAL SETUP OF LAYOUT | ABS |
| 12/16/2020 | 1446-150-01350 RH D3 - 10.06.20 | CREATED LOT-SPECIFIC STRUCTURAL LAYOUT FROM MASTER PLAN AND EWP LAYOUT | ABS |
| | | | |
| | | | |
| | | | |
| | | | |
| | | | |
| | | | |
| | | | |
| | | | |
| | | | |
| | | | |
| | | | |
| | | | |
| | | | |
| | | | |
| | | | |
| | | | |
| | | | |
| | | | |
| | | | |

KB HOME
 NORTH CAROLINA DIVISION
 4518 S. MIAMI BLVD.
 SUITE 180
 DURHAM, NC 27703
 TEL: (919) 768-7988
 FAX: (919) 472-0582



P-0961

JDSfaulkner, PLLC HAS PERFORMED A STRUCTURAL REVIEW OF THESE PLANS. THE STRUCTURAL COMPONENTS COMPLY WITH THE 2018 NORTH CAROLINA RESIDENTIAL CODE FOR ONE- AND TWO-FAMILY DWELLINGS FOR NC PLAN REVIEW. DEVIATION OF ANY STRUCTURAL REQUIREMENTS OF THESE PLANS WITHOUT THE APPROVAL OF THE EOR IS PROHIBITED.



PROJECT NO.: 20902260
 DATE: 12/21/2020

NOTES

- 1. ENGINEER'S SEAL APPLIES TO STRUCTURAL COMPONENTS ONLY. ENGINEER'S SEAL DOES NOT CERTIFY DIMENSIONAL ACCURACY OR ARCHITECTURAL LAYOUT, INCLUDING ROOF GEOMETRY. JDSfaulkner, PLLC ASSUMES NO LIABILITY FOR CHANGES MADE TO THESE PLANS BY OTHERS, OR FOR CONSTRUCTION METHODS, OR FOR ANY DEVIATION FROM THE PLANS. ENGINEER TO BE NOTIFIED PRIOR TO CONSTRUCTION IF ANY DISCREPANCIES ARE NOTED ON THE PLANS.
- 2. DIMENSIONS SHALL GOVERN OVER SCALE, AND CODE SHALL GOVERN OVER DIMENSIONS.
- 3. PLANS MUST HAVE SIGNED SEAL TO BE VALID AND ARE LIMITED TO THE FOLLOWING USES:
 - A. IF THESE PLANS ARE ISSUED AS A MASTER-PLAN SET, THE SET IS VALID FOR 18 MONTHS FROM THE DATE ON THE SEAL, UNLESS ANY CODE-REQUIRED UPDATES ARE PLACED IN EFFECT BY THE MUNICIPALITY.
 - B. IF THESE PLANS ARE NOT ISSUED AS A MASTER-PLAN SET, THE SET IS VALID FOR A CONDITIONAL, ONE-TIME USE FOR THE LOT OR ADDRESS SPECIFIED ON THE TITLE BLOCK.

CODE

ALL CONSTRUCTION, WORKMANSHIP, AND MATERIAL QUALITY AND SELECTION SHALL BE PER:

**2018
 NORTH CAROLINA
 STATE BUILDING CODE:
 RESIDENTIAL CODE**

ENGINEER OF RECORD

JDSfaulkner, PLLC
 ENGINEERING, BUILDING DESIGN, & CONSTRUCTION
 CONSULTING SERVICES
 8600 'D' JERSEY COURT
 RALEIGH, NC 27617
 FIRM LIC. NO: P-0961
 PROJECT REFERENCE: 20902260

PLAN:
150.1446

TITLE SHEET
T

These designs and drawings are CONFIDENTIAL, and the exclusive property of KB Home Corporation and are not to be disclosed without the express permission of KB Home Corporation. They may not be used or duplicated without the express permission of KB Home Corporation. Copyright 2019 © KB Home Corporation, all rights reserved.

NOTE: ALL CHAPTERS, SECTIONS, TABLES, AND FIGURES CITED WITHOUT A PUBLICATION TITLE ARE FROM THE APPLICABLE RESIDENTIAL CODE (SEE TITLE SHEET).

GENERAL

- IT IS THE CONTRACTOR'S RESPONSIBILITY TO VERIFY ALL DIMENSIONS PRIOR TO CONSTRUCTION. FURTHERMORE, CONTRACTOR IS ULTIMATELY RESPONSIBLE FOR CONSTRUCTION MEANS, METHODS, AND SAFETY ON SITE. NOTIFY JDSfaulkner, PLLC IMMEDIATELY IF DISCREPANCIES ON PLAN EXIST.
- BRACED-WALL DESIGN IS BASED ON SECTION R602.10 - WALL BRACING. PRIMARY PRESCRIPTIVE METHOD TO BE CS-WSP. SEE WALL BRACING PLANS AND DETAILS FOR ADDITIONAL INFORMATION.

ALL NON-PRESCRIPTIVE SOLUTIONS ARE BASED ON GUIDELINES ESTABLISHED IN THE AMERICAN SOCIETY OF CIVIL ENGINEERS PUBLICATION ASCE 7 AND THE NATIONAL DESIGN SPECIFICATION FOR WOOD CONSTRUCTION - SPECIAL DESIGN PROVISIONS FOR WIND AND SEISMIC.
- SEISMIC DESIGN SHALL BE PER SECTION R301.2.2 - SEISMIC PROVISIONS, INCLUDING ASSOCIATED TABLES AND FIGURES, BASED ON LOCAL SEISMIC DESIGN CATEGORY.

DESIGN LOADS

| | |
|---|----------------------------|
| ASSUMED SOIL BEARING-CAPACITY | 2,000 PSF |
| <u>LIVE LOAD</u> | |
| ULTIMATE DESIGN WIND SPEED | 115 MPH, EXPOSURE B |
| GROUND SNOW | 15 PSF |
| ROOF | 20 PSF |
| <u>RESIDENTIAL CODE TABLE R301.5</u> | |
| DWELLING UNITS | 40 |
| SLEEPING ROOMS | 30 |
| ATTICS WITH STORAGE | 20 |
| ATTICS WITHOUT STORAGE | 10 |
| STAIRS | 40 |
| DECKS | 40 |
| EXTERIOR BALCONIES | 60 |
| PASSENGER VEHICLE GARAGES | 50 |
| FIRE ESCAPES | 40 |
| GUARDS AND HANDRAILS | 200 (pounds, concentrated) |
| COMPONENT AND CLADDING LOADS, INCLUDING THOSE FOR DOORS AND WINDOWS, SHALL BE DERIVED FROM TABLES R301.2(2) AND R301.2(3) FOR A BUILDING WITH A MEAN ROOF HEIGHT OF 35 FEET, LOCATED IN EXPOSURE B. | |

ABBREVIATIONS

| | | | |
|------|-----------------------|--------|-------------------------|
| ABV | ABOVE | KS | KING STUD COLUMN |
| AFF | ABOVE FINISHED FLOOR | LVL | LAMINATED VENEER LUMBER |
| ALT | ALTERNATE | MAX | MAXIMUM |
| BRG | BEARING | MECH | MECHANICAL |
| BSMT | BASEMENT | MFR | MANUFACTURER |
| CANT | CANTILEVER | MIN | MINIMUM |
| CJ | CEILING JOIST | NTS | NOT TO SCALE |
| CLG | CEILING | OA | OVERALL |
| CMU | CONCRETE MASONRY UNIT | OC | ON CENTER |
| CO | CASED OPENING | PT | PRESSURE TREATED |
| COL | COLUMN | R | RISER |
| CONC | CONCRETE | REF | REFRIGERATOR |
| CONT | CONTINUOUS | RFG | ROOFING |
| D | CLOTHES DRYER | RO | ROUGH OPENING |
| DBL | DOUBLE | RS | ROOF SUPPORT |
| DIAM | DIAMETER | SC | STUD COLUMN |
| DJ | DOUBLE JOIST | SF | SQUARE FOOT (FEET) |
| DN | DOWN | SH | SHELF / SHELVES |
| DP | DEEP | SHTG | SHEATHING |
| DR | DOUBLE RAFTER | SHW | SHOWER |
| DSP | DOUBLE STUD POCKET | SIM | SIMILAR |
| EA | EACH | SJ | SINGLE JOIST |
| EE | EACH END | SP | STUD POCKET |
| EQ | EQUAL | SPEC'D | SPECIFIED |
| EX | EXTERIOR | SQ | SQUARE |
| FAU | FORCED-AIR UNIT | T | TREAD |
| FDN | FOUNDATION | TEMP | TEMPERED GLASS |
| FF | FINISHED FLOOR | THK | THICK(NESS) |
| FLR | FLOOR(ING) | TJ | TRIPLE JOIST |
| FP | FIREPLACE | TOC | TOP OF CURB / CONCRETE |
| FTG | FOOTING | TR | TRIPLE RAFTER |
| HB | HOSE BIBB | TYP | TYPICAL |
| HDR | HEADER | UNO | UNLESS NOTED OTHERWISE |
| HGR | HANGER | W | CLOTHES WASHER |
| JS | JACK STUD COLUMN | WH | WATER HEATER |
| | | WWF | WELDED WIRE FABRIC |
| | | XJ | EXTRA JOIST |

MATERIALS

- INTERIOR / TRIMMED FRAMING LUMBER SHALL BE #2 SPRUCE PINE FIR (SPF) WITH THE FOLLOWING DESIGN PROPERTIES (#2 SOUTHERN YELLOW PINE MAY BE SUBSTITUTED):

Fb = 875 PSI Fv = 70 PSI E = 1.4E6 PSI
- FRAMING LUMBER EXPOSED TO WEATHER OR IN CONTACT WITH THE GROUND, CONCRETE, OR MASONRY SHALL BE PRESSURE TREATED #2 SOUTHERN YELLOW PINE (SYP) WITH THE FOLLOWING DESIGN PROPERTIES:

Fb = 975 PSI Fv = 95 PSI E = 1.6E6 PSI
- LVL STRUCTURAL MEMBERS TO BE LAMINATED VENEER LUMBER WITH THE FOLLOWING MINIMUM DESIGN PROPERTIES:

Fb = 2600 PSI Fv = 285 PSI E = 1.9E6 PSI
- PSL STRUCTURAL MEMBERS TO BE PARALLEL STRAND LUMBER WITH THE FOLLOWING MINIMUM DESIGN PROPERTIES:

Fb = 2900 PSI Fv = 290 PSI E = 2.0E6 PSI
- LSL STRUCTURAL MEMBERS TO BE LAMINATED STRAND LUMBER WITH THE FOLLOWING MINIMUM DESIGN PROPERTIES:

Fb = 2250 PSI Fv = 400 PSI E = 1.55E6 PSI
- STRUCTURAL STEEL WIDE-FLANGE BEAMS SHALL CONFORM TO ASTM A992. Fy = 50 KSI
- REBAR SHALL BE DEFORMED STEEL CONFORMING TO ASTM A615, GRADE 60.
- POURED CONCRETE COMPRESSIVE STRENGTH TO BE A MINIMUM 3,000 PSI AT 28 DAYS. MATERIALS USED TO PRODUCE CONCRETE SHALL COMPLY WITH THE APPLICABLE STANDARDS LISTED IN AMERICAN CONCRETE INSTITUTE STANDARD ACI 318 OR ASTM C1157.
- CONCRETE SUBJECT TO MODERATE OR SEVERE WEATHERING PROBABILITY PER TABLE R301.2(1) SHALL BE AIR-ENTRAINED WHEN REQUIRED BY TABLE R402.2.
- CONCRETE MASONRY UNITS (CMU) SHALL CONFORM TO AMERICAN CONCRETE INSTITUTE PUBLICATION 530: BUILDING CODE REQUIREMENTS AND SPECIFICATIONS FOR MASONRY STRUCTURES AND COMPANION COMMENTARIES AND THE MASONRY SOCIETY PUBLICATION TMS 402/602: BUILDING CODE REQUIREMENTS AND SPECIFICATIONS FOR MASONRY STRUCTURES.
- MORTAR SHALL COMPLY WITH ASTM INTERNATIONAL STANDARD C270.
- INDICATED MODEL NUMBERS FOR ALL METAL HANGERS, STRAPS, FRAMING CONNECTORS, AND HOLD-DOWNS ARE SIMPSON STRONG-TIE BRAND. EQUIVALENT USP BRAND PRODUCTS ARE ACCEPTABLE.
- REFER TO I-JOIST EQUIVALENCE CHART ON I-JOIST DETAIL SHEET FOR SUBSTITUTION OF MANUFACTURER SERIES.

FOUNDATION

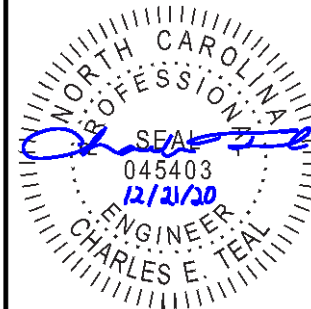
- MINIMUM ALLOWABLE SOIL BEARING CAPACITY IS ASSUMED TO BE 2,000 PSF. IT IS THE CONTRACTOR'S RESPONSIBILITY TO VERIFY SOIL BEARING CAPACITY IF UNSATISFACTORY CONDITIONS EXIST.
- CONCRETE FOUNDATION WALLS TO BE SELECTED AND CONSTRUCTED PER SECTION R404 OR AMERICAN CONCRETE INSTITUTE STANDARD ACI 318.
- MASONRY FOUNDATION WALLS TO BE SELECTED AND CONSTRUCTED PER SECTION R404 AND/OR AMERICAN CONCRETE INSTITUTE PUBLICATION 530: BUILDING CODE REQUIREMENTS AND SPECIFICATIONS FOR MASONRY STRUCTURES AND COMPANION COMMENTARIES AND/OR THE MASONRY SOCIETY PUBLICATION TMS 402/602: BUILDING CODE REQUIREMENTS AND SPECIFICATIONS FOR MASONRY STRUCTURES.
- CONCRETE WALL HORIZONTAL REINFORCEMENT TO BE PER TABLE R404.1.2(1) OR AS NOTED OR DETAILED. CONCRETE WALL VERTICAL REINFORCEMENT TO BE PER TABLES R404.1.2(3 AND 4) OR AS NOTED OR DETAILED. ALL CONCRETE WALLS SHALL COMPLY WITH APPLICABLE PROVISIONS OF CHAPTER 6.
 - A. TABLES ASSUME THAT WALLS HAVE PERMANENT LATERAL SUPPORT AT THE TOP AND BOTTOM.
 - B. FOUNDATION DRAINS ARE ASSUMED AT ALL WALLS PER SECTION R405.
- PLAIN-MASONRY WALL DESIGN TO BE PER TABLE R404.1.1(1) OR AS NOTED OR DETAILED. MASONRY WALLS WITH VERTICAL REINFORCEMENT TO BE PER TABLES R404.1.1 (2 THROUGH 4) OR AS NOTED OR DETAILED. ALL MASONRY WALLS SHALL COMPLY WITH APPLICABLE PROVISIONS OF CHAPTER 6.
 - A. TABLES ASSUME THAT WALLS HAVE PERMANENT LATERAL SUPPORT AT THE TOP AND BOTTOM.
 - B. WALL REINFORCING SHALL BE PLACED ACCORDING TO FOOTNOTE (c) OF THE TABLES (REINFORCING IS NOT CENTERED IN WALL).
 - C. FOUNDATION DRAINS ARE ASSUMED AT ALL WALLS PER SECTION R405.
- WOOD SILL PLATES TO BE ANCHORED TO THE FOUNDATION WITH 1/2" DIAMETER ANCHOR BOLTS WITH MINIMUM 7" EMBEDMENT, SPACED A MAXIMUM OF 6'-0" OC AND WITHIN 12" FROM THE ENDS OF EACH PLATE SECTION. INSTALL MINIMUM (2) ANCHOR BOLTS PER SECTION. SEE SECTION R403.1.6 FOR SPECIFIC CONDITIONS.
- THE UNSUPPORTED HEIGHT OF SOLID MASONRY PIERS SHALL NOT EXCEED TEN TIMES THEIR LEAST DIMENSION. UNFILLED, HOLLOW PIERS MAY BE USED IF THE UNSUPPORTED HEIGHT IS NOT MORE THAN FOUR TIMES THEIR LEAST DIMENSION.
- CENTERS OF PIERS TO BEAR IN THE MIDDLE THIRD OF THE FOOTINGS, AND GIRDERS SHALL CENTER IN THE MIDDLE THIRD OF THE PIERS.
- ALL FOOTINGS TO HAVE MINIMUM 2" PROJECTION ON EACH SIDE OF FOUNDATION WALLS (SEE DETAILS).
- ALL REBAR NOTED IN CONCRETE TO HAVE AT LEAST 2" COVER FROM EDGE OF CONCRETE TO EDGE OF REBAR.
- FRAMING TO BE FLUSH WITH FOUNDATION WALLS.
- WITH CLASS 1 SOILS, VAPOR BARRIER AND CRUSHED STONE MAY BE OMITTED.

FRAMING

- ALL BEARING HEADERS TO BE (2) 2x6 SUPPORTED W/ MIN (1) JACK STUD AND (1) KING STUD EACH END, UNO.
- ALL NON-BEARING HEADERS TO BE (2) 2x4, UNO.
- NON-BEARING INTERIOR WALLS NOT MORE THAN 10' NOMINAL HEIGHT AND NOT SHOWN AS BRACED WALLS MAY BE FRAMED WITH 2x4 STUDS @ 24" OC.
- SOLID BLOCKING TO BE PROVIDED AT ALL POINT LOADS THROUGH FLOOR LEVELS TO THE FOUNDATION OR TO OTHER STRUCTURAL COMPONENTS.
- ALL BEAMS SPECIFIED ARE MINIMUM SIZES ONLY. LARGER MEMBERS MAY SUBSTITUTED AS NEEDED FOR EASE OF CONSTRUCTION.
- ALL EXTERIOR WALLS TO BE FULLY SHEATHED WITH 7/16" OSB.
- PORCH / PATIO COLUMNS TO BE 4x4 MINIMUM PRESSURE-TREATED LUMBER.
 - A. ATTACH PORCH COLUMNS TO SLAB / FDN WALL USING ABA, ABU, ABW, OR CPT SIMPSON POST BASES TO FIT COLUMN SIZES NOTED ON PLAN -OR- ANY OTHER COLUMN CONNECTION WITH 500# UPLIFT CAPACITY.
 - B. ATTACH PORCH COLUMNS TO PORCH BEAMS USING AC OR BC SIMPSON POST CAPS TO FIT COLUMN SIZES NOTED ON PLAN -OR- ANY OTHER COLUMN CONNECTION WITH 500# UPLIFT CAPACITY.
 - C. TRIM OUT COLUMN(S) AND BEAM(S) PER BUILDER AND DETAILS.
- ALL ENGINEERED WOOD PRODUCTS (LVL, PSL, LSL, ETC.) SHALL BE INSTALLED WITH CONNECTIONS PER MANUFACTURER SPECIFICATIONS.
- ENGINEERED WOOD FLOOR SYSTEMS AND ROOF TRUSS SYSTEMS:
 - A. SHOP DRAWINGS FOR THE SYSTEMS SHALL BE PROVIDED TO THE ENGINEER OF RECORD FOR REVIEW AND COORDINATION BEFORE CONSTRUCTION.
 - B. TRUSS PROFILES SHALL BE SEALED BY THE TRUSS MANUFACTURER.
 - C. INSTALLATION OF THE SYSTEMS SHALL BE PER MANUFACTURER'S INSTRUCTIONS.
 - D. TRUSS LAYOUT AND PLACEMENT BY MANUFACTURER TO COINCIDE WITH THE SUPPORT LOCATIONS SHOWN IN THESE DRAWINGS.
- ALL BEAMS TO BE CONTINUOUSLY SUPPORTED Laterally AND SHALL BEAR FULL WIDTH ON THE SUPPORTING WALLS OR COLUMNS INDICATED, WITH A MINIMUM OF THREE STUDS, UNO.
- ALL STEEL BEAMS TO BE SUPPORTED AT EACH END WITH A MIN BEARING LENGTH OF 3 1/2" AND FULL FLANGE WIDTH. BEAMS MUST BE ATTACHED AT EACH END WITH A MINIMUM OF FOUR 16d NAILS OR TWO 1/2" x 4" LAG SCREWS, UNO.
- STEEL FLITCH BEAMS TO BE BOLTED TOGETHER USING (2) ROWS OF 1/2" DIAMETER BOLTS (ASTM 307) WITH WASHERS PLACED UNDER THE THREADED END OF THE BOLT. BOLTS TO BE SPACED AT 24" OC (MAX) AND STAGGERED TOP AND BOTTOM OF BEAM (2" EDGE DISTANCE), WITH TWO BOLTS TO BE LOCATED AT 6" FROM EACH END OF FLITCH BEAM.
- WHEN A 4-PLY LVL BEAM IS USED, ATTACH WITH (1) 1/2" DIAMETER BOLT, 12" OC, STAGGERED TOP AND BOTTOM, 1 1/2" MIN FROM ENDS. ALTERNATE EQUIVALENT ATTACHMENT METHOD MAY BE USED, SUCH AS SDS, SDW, OR TRUSSLOK SCREWS (SEE MANUFACTURER SPECIFICATIONS).
- FOR STUD COLUMNS OF 4-OR-MORE STUDS, INSTALL SIMPSON STRONG-TIE CS16 STRAPS ACROSS STUDS @ 30" OC, 6" MAX FROM PLATES, ON INSIDE FACE OF COLUMN (EXTERIOR WALL), ON BOTH FACES OF COLUMN (INTERIOR WALL).
- FLOOR JOISTS ADJACENT AND PARALLEL TO THE EXTERIOR FOUNDATION WALL SHALL BE PROVIDED WITH FULL-DEPTH SOLID BLOCKING, NOT LESS THAN TWO (2) INCHES NOMINAL IN THICKNESS, PLACED PERPENDICULAR TO THE JOIST AT SPACING NOT MORE THAN FOUR (4) FEET. THE BLOCKING SHALL BE NAILED TO THE FLOOR SHEATHING, THE SILL PLATE, THE JOIST, AND THE EXTERIOR RIM JOIST / BOARD.
- BRACED WALL PANELS SHALL BE FASTENED TO MEET THE UPLIFT-RESISTANCE REQUIREMENTS IN CHAPTERS 6 AND 8 OF THE APPLICABLE CODE (SEE TITLE SHEET). REQUIREMENTS OF THE STRUCTURAL DRAWINGS THAT EXCEED THE CODE MINIMUM SHALL BE MET.



KB HOME
NORTH CAROLINA DIVISION
4518 S. MIAMI BLVD.
SUITE 180
DURHAM, NC 27703
TEL: (919) 768-7988
FAX: (919) 472-0582



P-0961

JDSfaulkner, PLLC HAS PERFORMED A STRUCTURAL REVIEW OF THESE PLANS. THE STRUCTURAL COMPONENTS COMPLY WITH THE 2018 NORTH CAROLINA RESIDENTIAL CODE FOR ONE- AND TWO-FAMILY DWELLINGS FOR NC PLAN REVIEW. DEVIATION OF ANY STRUCTURAL REQUIREMENTS OF THESE PLANS WITHOUT THE APPROVAL OF THE EOR IS PROHIBITED.



PROJECT NO.: 20902260
DATE: 12/21/2020

PLAN:
150.1446

GENERAL NOTES

GN1.0

These designs and drawings are CONFIDENTIAL and the exclusive property of KB Home Corporation and are not to be disclosed without the express permission of KB Home Corporation. Copyright 2019 © KB Home Corporation. All rights reserved.

| FASTENER SCHEDULE | | |
|--|--|--|
| CONNECTION | 3" x 0.131" NAIL | 3" x 0.120" NAIL |
| JOIST TO SILL PLATE | (4) TOE NAILS | (4) TOE NAILS |
| SOLE PLATE TO JOIST / BLOCKING | NAILS @ 8" OC (typical) (4) PER 16" SPACE (at braced panels) | NAILS @ 8" OC (typical) (4) PER 16" SPACE (at braced panels) |
| STUD TO SOLE PLATE | (4) TOE NAILS | (4) TOE NAILS |
| TOP OR SOLE PLATE TO STUD | (3) FACE NAILS | (4) FACE NAILS |
| RIM JOIST OR BAND JOIST TO TOP PLATE OR SILL PLATE | TOE NAILS @ 6" OC | TOE NAILS @ 4" OC |
| BLOCKING BETWEEN JOISTS TO TOP PLATE OR SILL PLATE | (4) TOE NAILS | (4) TOE NAILS |
| DOUBLE STUD | NAILS @ 8" OC | NAILS @ 8" OC |
| DOUBLE TOP PLATES | NAILS @ 12" OC | NAILS @ 12" OC |
| DOUBLE TOP PLATES LAP (24" MIN LAP LENGTH) | (12) NAILS IN LAPPED AREA, EA SIDE OF JOINT | (12) NAILS IN LAPPED AREA, EA SIDE OF JOINT |
| TOP PLATE LAP AT CORNERS AND INTERSECTING WALLS | (3) FACE NAILS | (3) FACE NAILS |
| OPEN-WEB TRUSS BOTTOM CHORD TO TOP PLATES OR SILL PLATE (PARALLEL TO WALL) | NAILS @ 6" OC | NAILS @ 4" OC |
| BOTTOM CHORD OF TRUSS TO TOP PLATES OR SILL PLATE (PERPENDICULAR TO WALL) | (3) TOE NAILS | (3) TOE NAILS |

SEE TABLE R602.3(1) FOR ADDITIONAL STRUCTURAL-MEMBER FASTENING REQUIREMENTS.

DETAILS AND NOTES ON DRAWINGS GOVERN.


BALLOON WALL FRAMING SCHEDULE
(USE THESE STANDARDS UNLESS NOTED OTHERWISE ON THE FRAMING PLAN SHEETS)

| FRAMING MEMBER SIZE | MAX HEIGHT (PLATE TO PLATE) 115 MPH ULTIMATE DESIGN WIND SPEED |
|---------------------|---|
| 2x4 @ 16" OC | 10'-0" |
| 2x4 @ 12" OC | 12'-0" |
| 2x6 @ 16" OC | 15'-0" |
| 2x6 @ 12" OC | 17'-9" |
| 2x8 @ 16" OC | 19'-0" |
| 2x8 @ 12" OC | 22'-0" |
| (2) 2x4 @ 16" OC | 14'-6" |
| (2) 2x4 @ 12" OC | 17'-0" |
| (2) 2x6 @ 16" OC | 21'-6" |
| (2) 2x6 @ 12" OC | 25'-0" |
| (2) 2x8 @ 16" OC | 27'-0" |
| (2) 2x8 @ 12" OC | 31'-0" |


- ALL HEIGHTS ARE MEASURED SUBFLOOR TO TOP OF WALL PLATE.
- WHEN SPLIT-FRAMED WALLS ARE USED FOR HEIGHTS OVER 12', THE CONTRACTOR SHALL ADD 6' MINIMUM OF CS16 COIL STRAPPING (FULLY NAILED), CENTERED OVER THE WALL BREAK.
- FINGER-JOINTED MEMBERS MAY BE USED FOR CONTINUOUS HEIGHTS WHERE TRADITIONALLY MILLED LUMBER LENGTHS ARE LIMITED.
- FOR GREATER WIND SPEED, SEE ENGINEERED SOLUTION FOR CONDITION IN DRAWINGS.

ROOF SYSTEMS

TRUSSED ROOF - STRUCTURAL NOTES

- PROVIDE CONTINUOUS BLOCKING THROUGH STRUCTURE FOR ALL POINT LOADS.
-  DENOTES OVER-FRAMED AREA
- MINIMUM 7/16" OSB ROOF SHEATHING
- TRUSS LAYOUT AND PLACEMENT BY MANUFACTURER TO COINCIDE WITH THE SUPPORT LOCATIONS SHOWN. TRUSS PROFILES SHALL BE SEALED BY THE TRUSS MANUFACTURER. TRUSS PLANS TO BE COORDINATED WITH THE SEALED STRUCTURAL DRAWINGS. INSTALLATION SHALL BE IN ACCORDANCE WITH THE MANUFACTURER'S INSTRUCTIONS.
- MANUFACTURER TO PROVIDE REQUIRED UPLIFT CONNECTION.
- PROVIDE H2.5A (MINIMUM) OR EQUIVALENT AT EACH TRUSS-TO-TOP PLATE CONNECTION AT OVER-FRAMED AREAS, UNLESS NOTED OTHERWISE.
- UPLIFT CONNECTION TO BE CARRIED THROUGH TO FLOOR SYSTEM.

STICK-FRAMED ROOF - STRUCTURAL NOTES

- PROVIDE 2x4 COLLAR TIES AT 48" OC AT UPPER THIRD OF RAFTERS, UNLESS NOTED OTHERWISE.
- FUR RIDGES FOR FULL RAFTER CONTACT.
- PROVIDE CONTINUOUS BLOCKING THROUGH STRUCTURE FOR ALL POINT LOADS.
-  DENOTES OVER-FRAMED AREA
- MINIMUM 7/16" OSB ROOF SHEATHING
- PROVIDE 2x4 RAFTER TIES AT 16" OC AT 45° BETWEEN RAFTERS AND CEILING JOISTS. USE (4) 16d NAILS AT EACH CONNECTION. RAFTER TIES MAY BE SPACED AT 48" OC AT LOCATIONS WHERE NO KNEE WALLS ARE INSTALLED.
- PROVIDE H2.5A (MINIMUM) OR EQUIVALENT AT EACH RAFTER-TO-TOP PLATE CONNECTION AT OVER-FRAMED AREAS, UNLESS NOTED OTHERWISE.
- UPLIFT CONNECTION TO BE CARRIED THROUGH TO FLOOR SYSTEM.

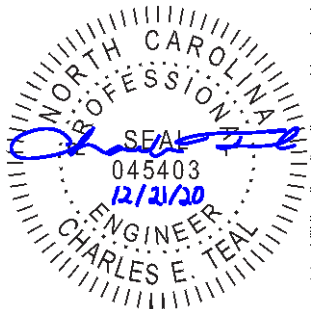
| BRICK VENEER LINTEL SCHEDULE | | |
|------------------------------|---|----------------------|
| SPAN | STEEL ANGLE SIZE | END BEARING LENGTH |
| UP TO 42" | L3-1/2"x3-1/2"x1/4" | 8" (MIN. @ EACH END) |
| UP TO 72" | L6"x4"x5/16" (LLV) | 8" (MIN. @ EACH END) |
| OVER 72" | L6"x4"x5/16" (LLV) ATTACH LINTEL w/ 1/2" THRU BOLT @ 12" OC, 3" FROM EACH END | |

* FOR QUEEN BRICK: LINTELS AT THIS CONDITION MAY BE 5"x3-1/2"x5/16"

NOTE: BRICK LINTELS AT SLOPED AREAS TO BE 4"x3-1/2"x1/4" STEEL ANGLE WITH 16D NAILS IN 3/16" HOLES IN 4" ANGLE LEG AT 12" OC TO TRIPLE RAFTER. WHEN THE SLOPE EXCEEDS 4:12 A MINIMUM OF 3"x3"x1/4" PLATES SHALL BE WELDED AT 24" OC ALONG THE STEEL ANGLE.



KB HOME
NORTH CAROLINA DIVISION
4518 S. MIAMI BLVD.
SUITE 180
DURHAM, NC 27703
TEL: (919) 768-7988
FAX: (919) 472-0582



P-0961

JDSfaulkner, PLLC HAS PERFORMED A STRUCTURAL REVIEW OF THESE PLANS. THE STRUCTURAL COMPONENTS COMPLY WITH THE 2018 NORTH CAROLINA RESIDENTIAL CODE FOR ONE- AND TWO-FAMILY DWELLINGS FOR NC PLAN REVIEW. DEVIATION OF ANY STRUCTURAL REQUIREMENTS OF THESE PLANS WITHOUT THE APPROVAL OF THE EOR IS PROHIBITED.



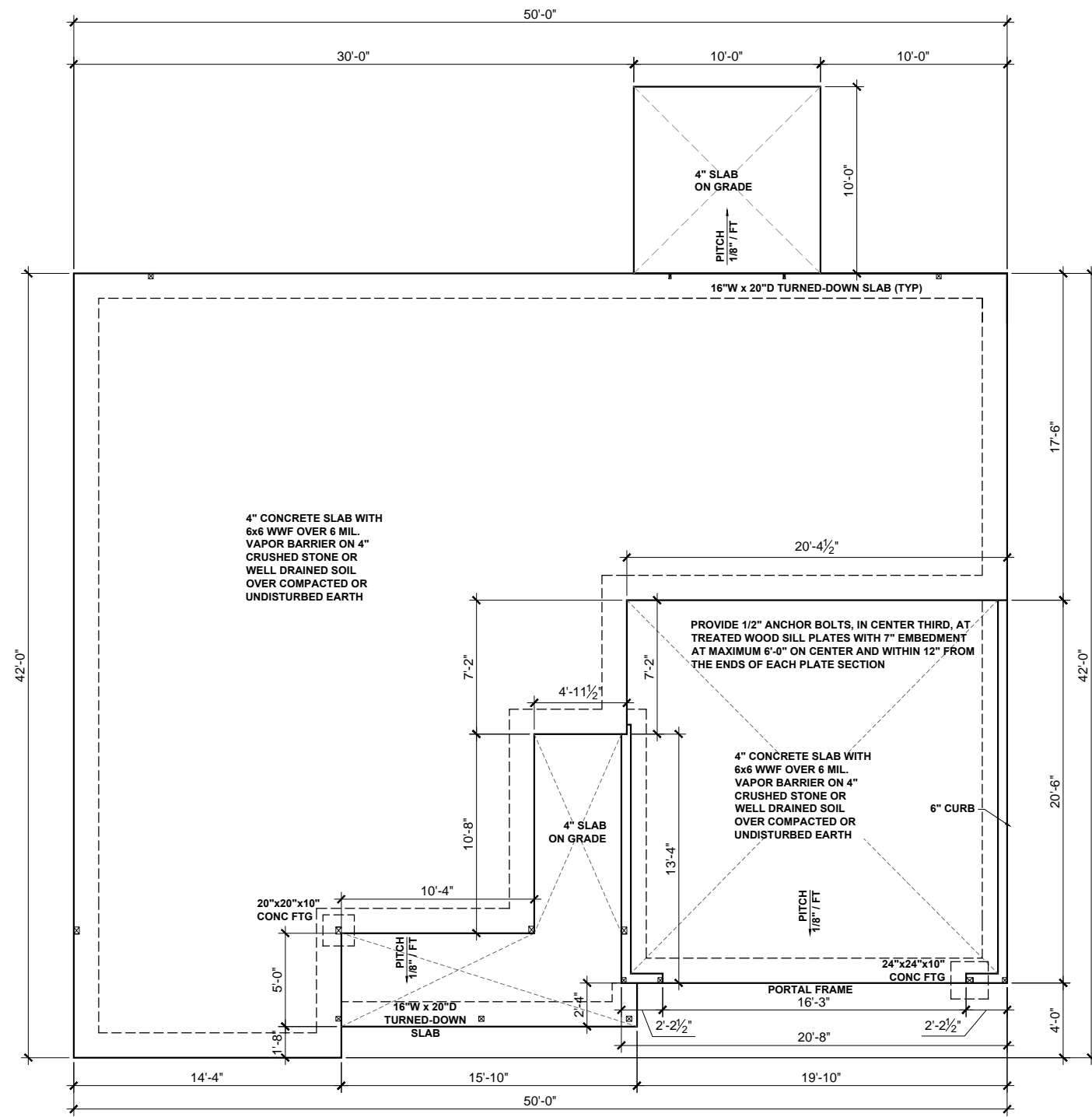
PROJECT NO.: 20902260
DATE: 12/21/2020

PLAN:
150.1446

GENERAL NOTES

GN1.1

These designs and drawings are CONFIDENTIAL and the exclusive property of KB Home Corporation and are not to be disclosed without the express permission of KB Home Corporation. Copyright 2019 © KB Home Corporation. All rights reserved.



BEAM & POINT LOAD LEGEND

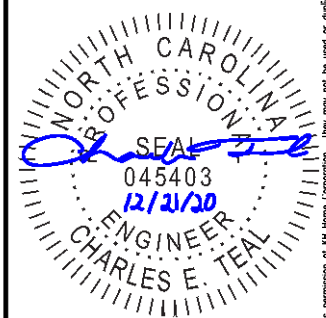
- INTERIOR LOAD BEARING WALL
- - - ROOF RAFTER / TRUSS SUPPORT
- · - · - DOUBLE RAFTER / DOUBLE JOIST
- - - STRUCTURAL BEAM / GIRDER
- - - WINDOW / DOOR HEADER
- ⊠ POINT LOAD TRANSFER
- POINT LOAD FROM ABOVE BEARING ON BEAM / GIRDER

(1) #5 REBAR @ CENTER OF ALL PERIMETER AND INTERNAL LOAD BEARING FOOTINGS. (2" C.C. MIN)

ALL CONCRETE CURBS SUPPORTING PORTAL FRAMED OR ENGINEERED OPENINGS IN GARAGES WITH A PONY WALL OVER 24" ABOVE THE GARAGE DOOR HEADER SHALL BE REQUIRED TO BE AT LEAST 8" WIDE.



KB HOME
NORTH CAROLINA DIVISION
4518 S. MIAMI BLVD.
SUITE 180
DURHAM, NC 27703
TEL: (919) 768-7988
FAX: (919) 472-0582



P-0961

JDSfaulkner, PLLC HAS PERFORMED A STRUCTURAL REVIEW OF THESE PLANS. THE STRUCTURAL COMPONENTS COMPLY WITH THE 2018 NORTH CAROLINA RESIDENTIAL CODE FOR ONE- AND TWO-FAMILY DWELLINGS FOR NC PLAN REVIEW. DEVIATION OF ANY STRUCTURAL REQUIREMENTS OF THESE PLANS WITHOUT THE APPROVAL OF THE EOR IS PROHIBITED.



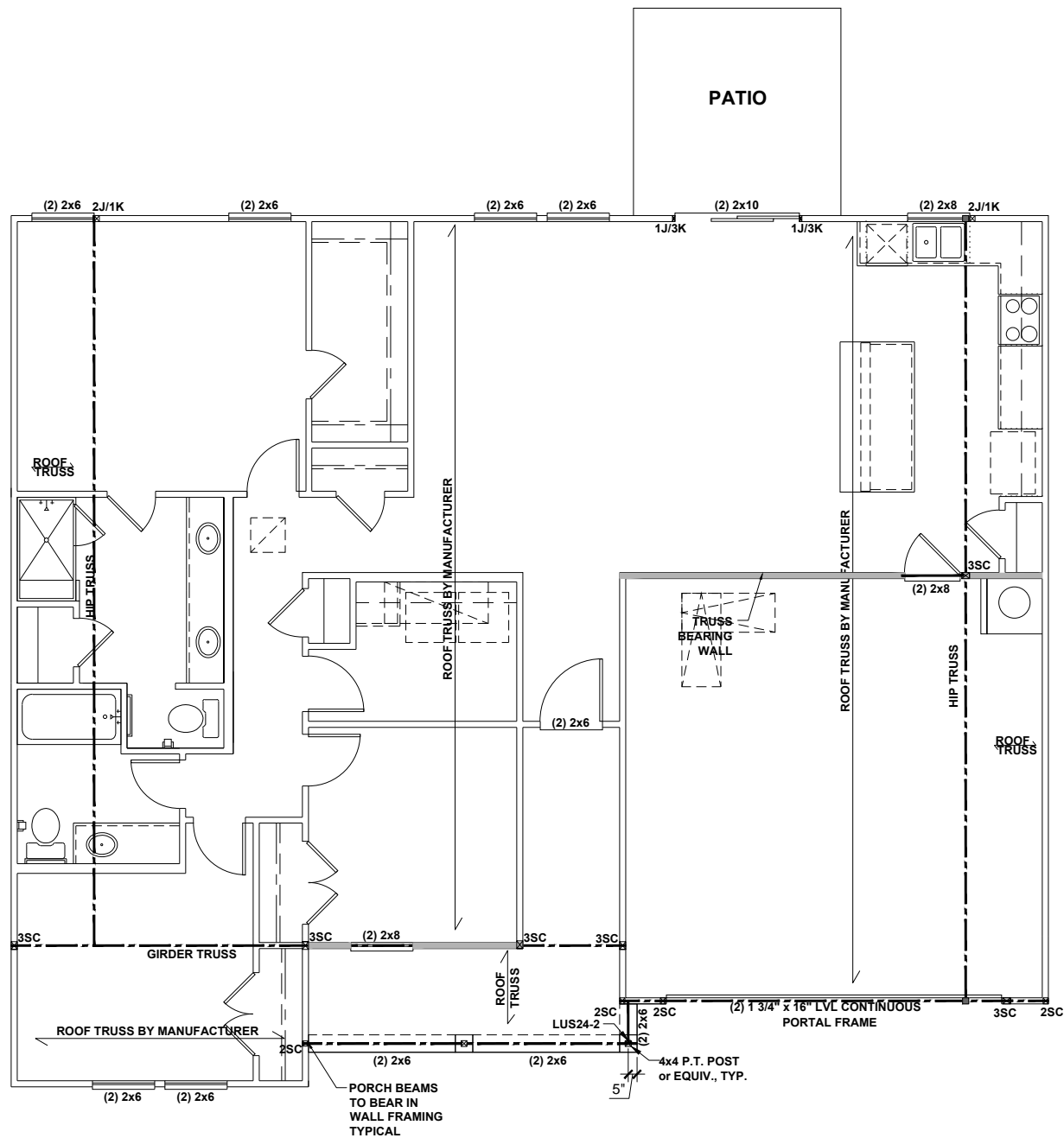
PROJECT NO.: 20902260
DATE: 12/21/2020

PLAN:
150.1446

SLAB FOUNDATION PLAN - 'C'
SCALE: 1/8"=1'-0"

SLAB
FOUNDATION PLAN
S.10C

These designs and drawings are CONFIDENTIAL, and the exclusive property of KB Home Corporation and are not to be disclosed without the express permission of KB Home Corporation. Copyright 2019 © KB Home Corporation. All rights reserved.



FIRST FLOOR CEILING FRAMING PLAN - 'C'

SCALE: 1/8"=1'-0"

| BEAM & POINT LOAD LEGEND | |
|--------------------------|--|
| | INTERIOR LOAD BEARING WALL |
| | ROOF RAFTER / TRUSS SUPPORT |
| | DOUBLE RAFTER / DOUBLE JOIST |
| | STRUCTURAL BEAM / GIRDER |
| | WINDOW / DOOR HEADER |
| | POINT LOAD TRANSFER |
| | POINT LOAD FROM ABOVE BEARING ON BEAM / GIRDER |

- STRUCTURAL FRAMING NOTES - (SEE GENERAL NOTES SHEET FOR ADDITIONAL REQUIREMENTS.)**
- ALL FRAMING TO BE #2 SPF MINIMUM.
 - ALL BEARING HEADERS TO BE (2) 2x6 SUPPORTED w/ MIN (1) JACK AND (1) KING EACH END, UNO.
 - EXTERIOR WALL OPENINGS OVER 3' TO HAVE MULTIPLE KING STUDS AS NOTED ON PLAN.
 - ALL NON-BEARING HEADERS TO BE (2) 2x4 (1) J / (1) K, UNO.
 - PROVIDE CONTINUOUS BLOCKING THROUGH STRUCTURE FOR ALL POINT LOADS.
 - ALL HANGERS AND CONNECTORS SPECIFIED ARE TO BE SIMPSON STRONG-TIE OR EQUIVALENT.
 - ALL BEAMS SPECIFIED ARE MINIMUM SIZES ONLY. LARGER MEMBERS MAY SUBSTITUTED AS NEEDED FOR EASE OF CONSTRUCTION. MINIMUM BEAM SUPPORT IS (1) 2x4 STUD.
 - ALL EXTERIOR WALLS TO BE FULLY SHEATHED WITH 7/16" OSB.
 - FRONT PORCH COLUMNS TO BE MIN 4x4 PT ATTACHED AT TOP AND BOTTOM USING SIMPSON (OR EQUIV) COLUMN BASE OR SST A24 BRACKETS. TRIM OUT PER BUILDER.
 - PORCH COLUMNS TO BE MIN 4x4 PT ATTACHED AT BOTTOM USING SIMPSON (OR EQUIV) ABA44 AND AT TOP USING CS 16 STRAPPING (12" MIN) TO PORCH HEADER / BAND.
 - WHEN A 4-PLY LVL IS USED, ATTACH WITH (1) 1/2" Ø BOLT 12" OC STAGGERED, TOP AND BOTTOM, 1-1/2" MIN FROM ENDS. ALTERNATE ATTACHMENT EQUIVALENT METHOD MAY BE USED, SUCH AS SDW OR TRUSSLOK SCREWS (SEE MANUFACTURER'S SPECIFICATIONS).
 - FOR STUD COLUMNS OF 4 OR MORE, INSTALL SST CS16 STRAPS @ 30" OC, 6" MAX FROM PLATES, ON INSIDE FACE OF COLUMN (EXTERIOR WALL), ON BOTH FACES OF COLUMN (INTERIOR WALL).

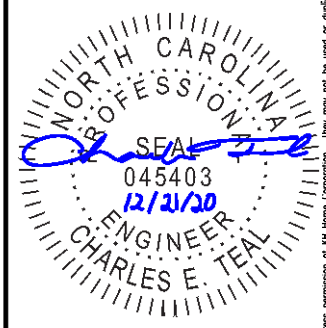
I-JOIST SPACING NOT TO EXCEED 19.2" OC IN LOCATIONS WITH TILE FINISH FLOOR

ALL FLUSH BEAMS TO BE DIRECTLY SUPPORTED BY (2) 2x STUDS UNLESS OTHERWISE NOTED. STUD COLUMNS TO BE SUPPORTED BY SOLID BLOCKING TO FOUNDATION OR TO BEARING COMPONENT BELOW.

FLOOR FRAMING TO BE 14" DEEP TJI 210 SERIES OR EQUAL, 19.2" OC MAXIMUM SPACING



KB HOME
NORTH CAROLINA DIVISION
4518 S. MIAMI BLVD.
SUITE 180
DURHAM, NC 27703
TEL: (919) 768-7988
FAX: (919) 472-0582



P-0961

JDSfaulkner, PLLC HAS PERFORMED A STRUCTURAL REVIEW OF THESE PLANS. THE STRUCTURAL COMPONENTS COMPLY WITH THE 2018 NORTH CAROLINA RESIDENTIAL CODE FOR ONE- AND TWO-FAMILY DWELLINGS FOR NC PLAN REVIEW. DEVIATION OF ANY STRUCTURAL REQUIREMENTS OF THESE PLANS WITHOUT THE APPROVAL OF THE EOR IS PROHIBITED.

JDSfaulkner
engineering • design • consulting
8800 D JERSEY CT, RALEIGH, NC 27617 919.480.1075
INFO@JDSFAULKNER.COM | WWW.JDSFAULKNER.COM

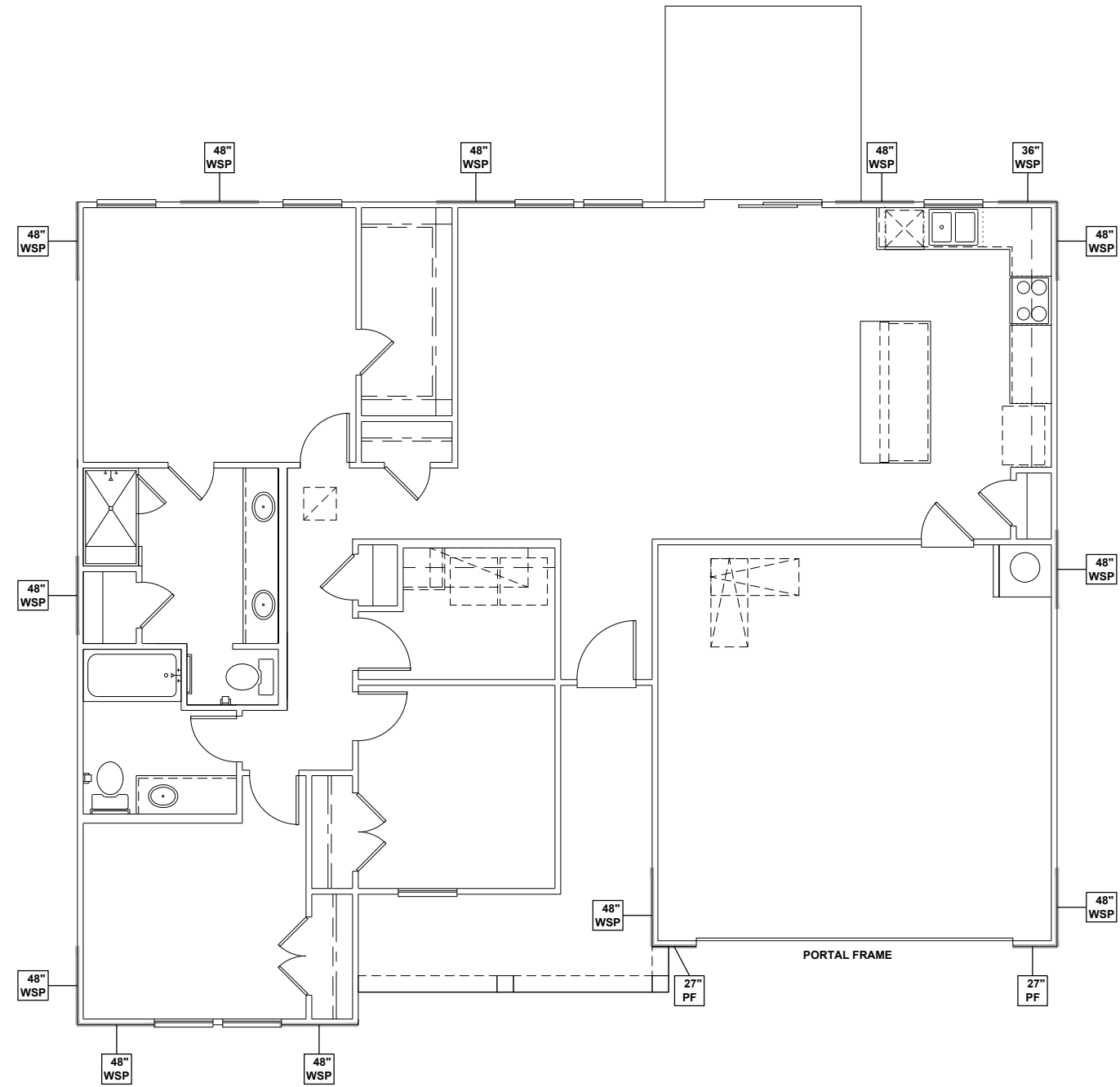
PROJECT NO.: 20902260
DATE: 12/21/2020

PLAN:
150.1446

FIRST FLOOR
CEILING FRAMING PLAN

S1.0C

These designs and drawings are CONFIDENTIAL and the exclusive property of KB Home Corporation and are not to be disclosed without the express permission of KB Home Corporation. Copyright 2019 © KB Home Corporation. All rights reserved.



WALL BRACING REQUIREMENTS

- MINIMUM PANEL WIDTH IS 24"
- FIGURES BASED ON THE CONTINUOUS SHEATHING METHOD USING THE RECTANGLE CIRCUMSCRIBED AROUND THE FLOOR PLAN OR PORTION OF THE FLOOR PLAN. IF NO RECTANGLE IS NOTED, THE STRUCTURE HAS BEEN FIGURED ALL WITHIN ONE RECTANGLE.
- PANELS MAY SHIFT UP TO 36" EITHER DIRECTION FOR EASE OF CONSTRUCTION (NAILING & BLOCK REQUIREMENTS STILL APPLY).
- FOR ADDITIONAL WALL BRACING INFORMATION, REFER TO WALL BRACING DETAIL SHEET(S).
- SCHEMATIC BELOW INDICATES HOW SIDES OF RECTANGLE ARE TO BE INTERPRETED IN BRACING CHART WHEN APPLIED TO STRUCTURE:

- ◆ CS16 STRAP FROM STUD, CROSS HEADER, TO WALL TOP PLATE, 36" LONG MINIMUM
- ▶ SIMPSON MSTA15 HOLD DOWN CAPACITY OF 970 POUNDS PER ANCHOR WITH (12) 10d NAILS. STRAP TO BE LOCATED AT EDGE OF BRACED WALL PANEL. (CS16 STRAPPING MAY BE SUBSTITUTED w/ SIMILAR LENGTH AND NAILING PATTERN.) USE HTT4 FOR ATTACHMENT TO CONCRETE.

SCALED LENGTH OF WALL PANEL AT LOCATION

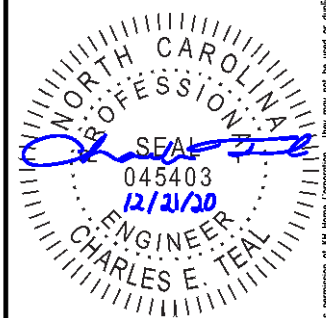
NUMERICAL LENGTH OF PANEL
 PANEL TYPE

WALL BRACING: RECTANGLE 1

| SIDE | REQUIRED LENGTH | PROVIDED LENGTH |
|-------|-----------------|-----------------|
| FRONT | 6.0 FT. | 14.75 FT. |
| RIGHT | 7.0 FT. | 12.0 FT. |
| REAR | 6.0 FT. | 15.0 FT. |
| LEFT | 7.0 FT. | 16.0 FT. |



KB HOME
 NORTH CAROLINA DIVISION
 4518 S. MIAMI BLVD.
 SUITE 180
 DURHAM, NC 27703
 TEL: (919) 768-7988
 FAX: (919) 472-0582



P-0961

JDSfaulkner, PLLC HAS PERFORMED A STRUCTURAL REVIEW OF THESE PLANS. THE STRUCTURAL COMPONENTS COMPLY WITH THE 2018 NORTH CAROLINA RESIDENTIAL CODE FOR ONE- AND TWO-FAMILY DWELLINGS FOR NC PLAN REVIEW. DEVIATION OF ANY STRUCTURAL REQUIREMENTS OF THESE PLANS WITHOUT THE APPROVAL OF THE EOR IS PROHIBITED.



8800 D' JERSEY CT, RALEIGH, NC 27617 919.480.1075
 INFO@JDSFAULKNER.COM | WWW.JDSFAULKNER.COM
 PROJECT NO.: 20902260
 DATE: 12/21/2020

PLAN:
150.1446

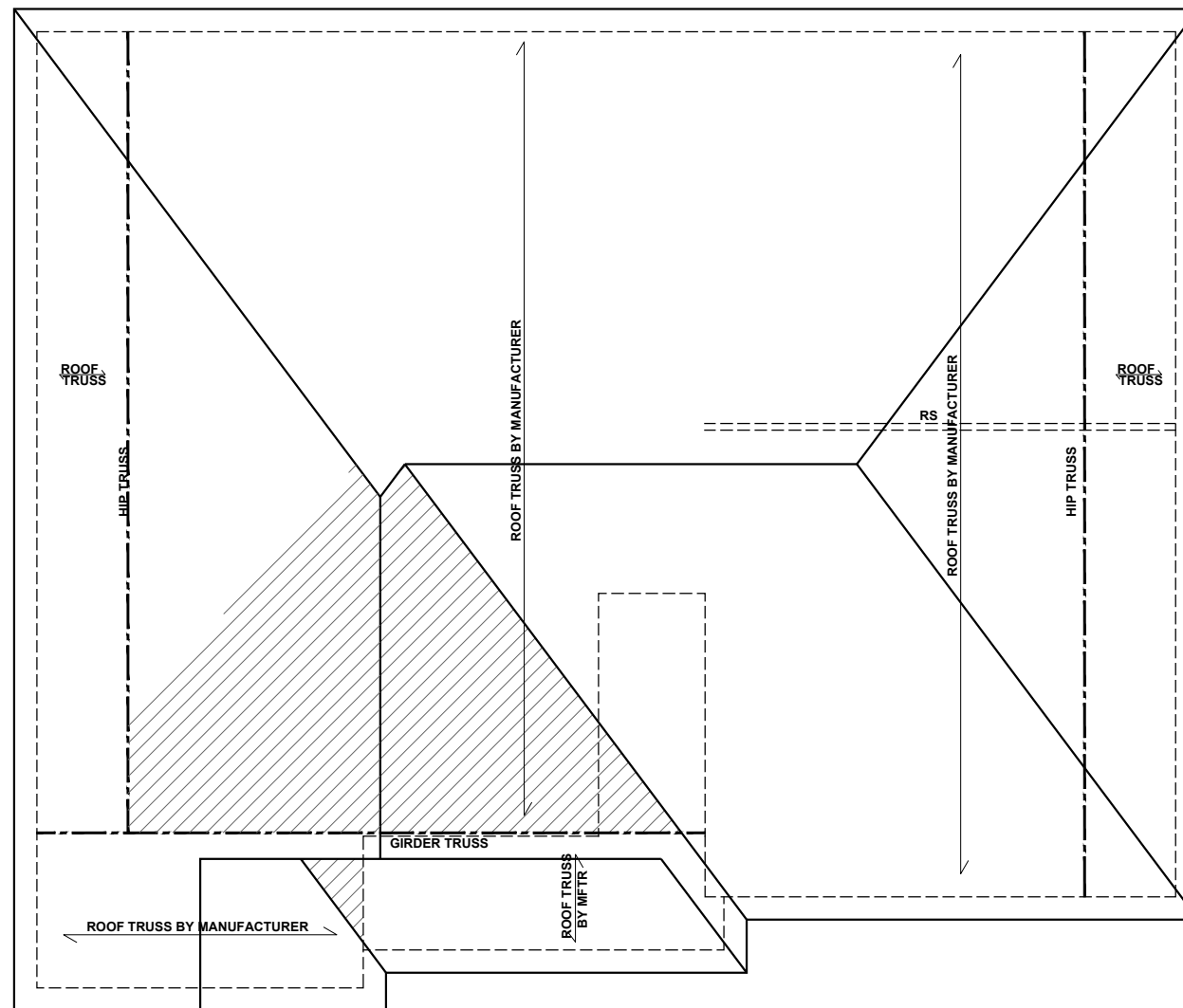
FIRST FLOOR
 WALL BRACING PLAN

S4.0C

FIRST FLOOR WALL BRACING PLAN - 'C'

SCALE: 1/8"=1'-0"

These designs and drawings are CONFIDENTIAL, and the exclusive property of KB Home Corporation and are not to be disclosed without the express permission of KB Home Corporation. Copyright 2019 © KB Home Corporation. All rights reserved.



ROOF FRAMING PLAN - 'C'
SCALE: 1/8"=1'-0"

BEAM & POINT LOAD LEGEND

| | |
|--|--|
| | INTERIOR LOAD BEARING WALL |
| | ROOF RAFTER / TRUSS SUPPORT |
| | DOUBLE RAFTER / DOUBLE JOIST |
| | STRUCTURAL BEAM / GIRDER |
| | WINDOW / DOOR HEADER |
| | POINT LOAD TRANSFER |
| | POINT LOAD FROM ABOVE BEARING ON BEAM / GIRDER |

- TRUSSED ROOF - STRUCTURAL NOTES**
- PROVIDE CONTINUOUS BLOCKING THROUGH STRUCTURE FOR ALL POINT LOADS.
 - DENOTES OVER-FRAMED AREA
 - MINIMUM 7/16" OSB ROOF SHEATHING
 - TRUSS LAYOUT AND PLACEMENT BY MANUFACTURER TO COINCIDE WITH THE SUPPORT LOCATIONS SHOWN. TRUSS PROFILES SHALL BE SEALED BY THE TRUSS MANUFACTURER. TRUSS PLANS TO BE COORDINATED WITH THE SEALED STRUCTURAL DRAWINGS. INSTALLATION SHALL BE IN ACCORDANCE WITH THE MANUFACTURER'S INSTRUCTIONS.
 - MANUFACTURER TO PROVIDE REQUIRED UPLIFT CONNECTION.
 - PROVIDE H2.5A (MINIMUM) OR EQUIVALENT AT EACH TRUSS-TO-TOP PLATE CONNECTION AT OVER-FRAMED AREAS, UNLESS NOTED OTHERWISE.
 - UPLIFT CONNECTION TO BE CARRIED THROUGH TO FLOOR SYSTEM.

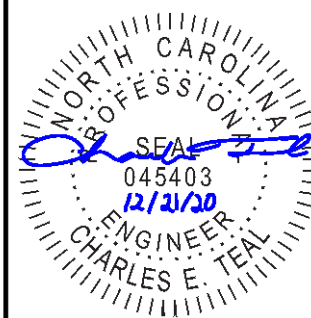
TRUSS UPLIFT CONNECTORS: EXPOSURE B, 115 MPH, ANY PITCH, 24" O.C. MAX ROOF TRUSS SPACING

TRUSSES SHALL BE ATTACHED TO SUPPORT WALL FOR UPLIFT RESISTANCE. CONTINUOUS OSB WALL SHEATHING BELOW PROVIDES CONTINUOUS UPLIFT RESISTANCE TO FOUNDATION. ALL TRUSSES SUPPORTED BY INTERMEDIATE SUPPORT WALLS, KNEEWALLS, OR BEAMS SHALL BE ATTACHED TO SUPPORTING MEMBER PER SCHEDULE:

| | |
|---------------------|---|
| ROOF PLAN UP TO 28' | CONNECTOR NAILING PER TABLE 602.3(1) NCRBC 2018 EDITION |
| OVER 28' | (1) SIMPSON H2.5A HURRICANE CLIP TO DBL TOP PLATE OR BEAM OR (1) SIMPSON H3 CLIP TO SINGLE 2x4 PLATE |



KB HOME
NORTH CAROLINA DIVISION
4518 S. MIAMI BLVD.
SUITE 180
DURHAM, NC 27703
TEL: (919) 768-7988
FAX: (919) 472-0582



P-0961

JDSfaulkner, PLLC HAS PERFORMED A STRUCTURAL REVIEW OF THESE PLANS. THE STRUCTURAL COMPONENTS COMPLY WITH THE 2018 NORTH CAROLINA RESIDENTIAL CODE FOR ONE- AND TWO-FAMILY DWELLINGS FOR NC PLAN REVIEW. DEVIATION OF ANY STRUCTURAL REQUIREMENTS OF THESE PLANS WITHOUT THE APPROVAL OF THE EOR IS PROHIBITED.

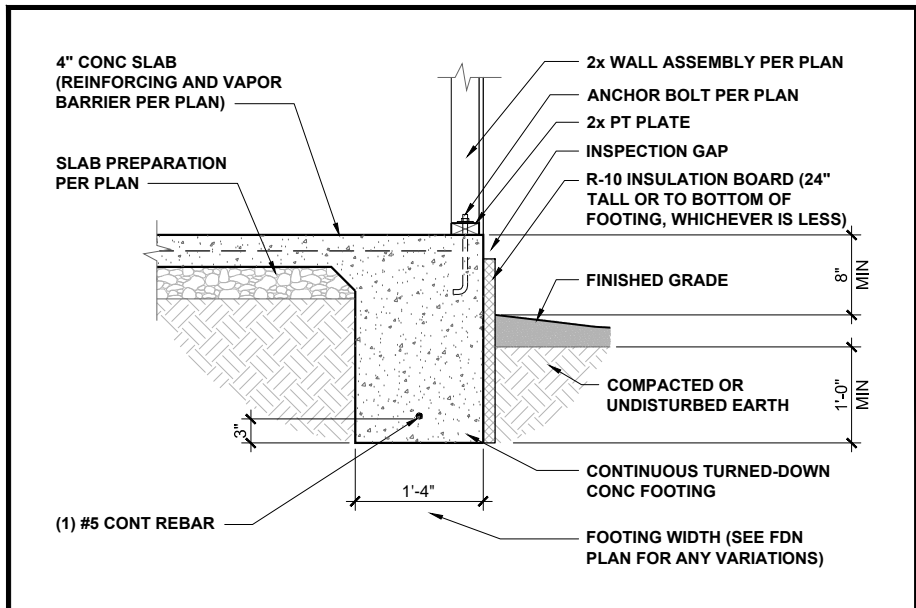


PROJECT NO.: 20902260
DATE: 12/21/2020

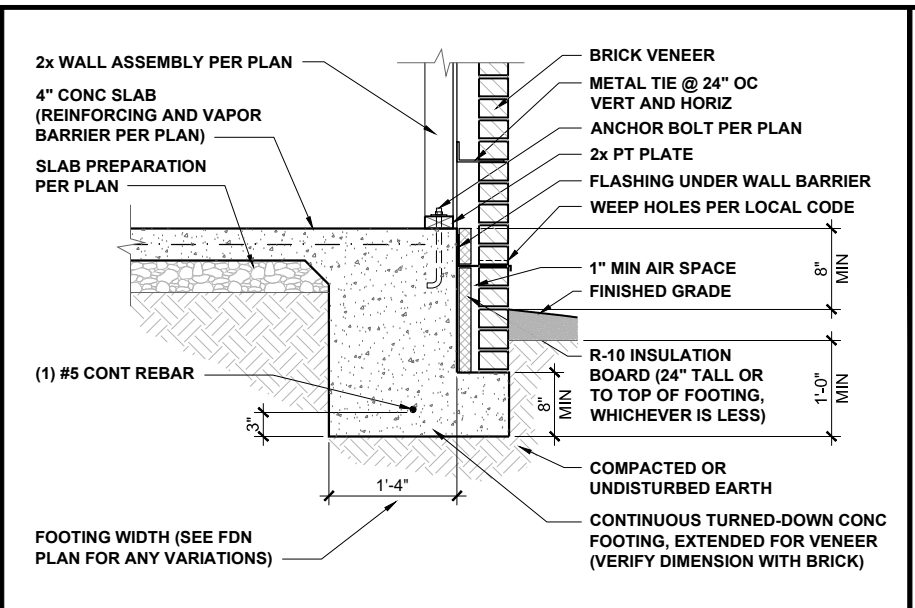
PLAN:
150.1446

ROOF FRAMING PLAN
S7.0C

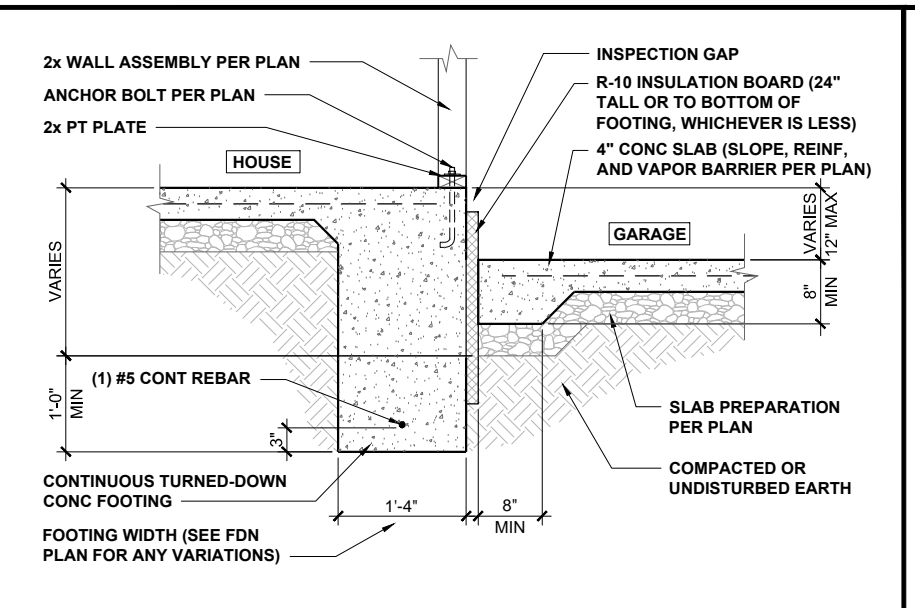
These designs and drawings are CONFIDENTIAL, and the exclusive property of KB Home Corporation and are not to be disclosed without the express permission of KB Home Corporation. Copyright 2019 © KB Home Corporation. All rights reserved.



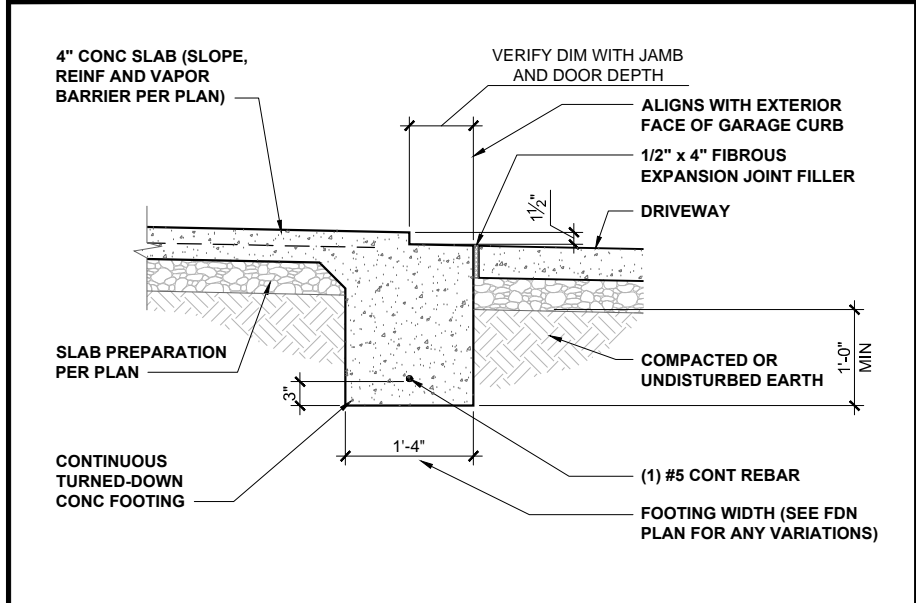
TURNED-DOWN CONC SLAB FOOTING 1/2" = 1'-0" **1**



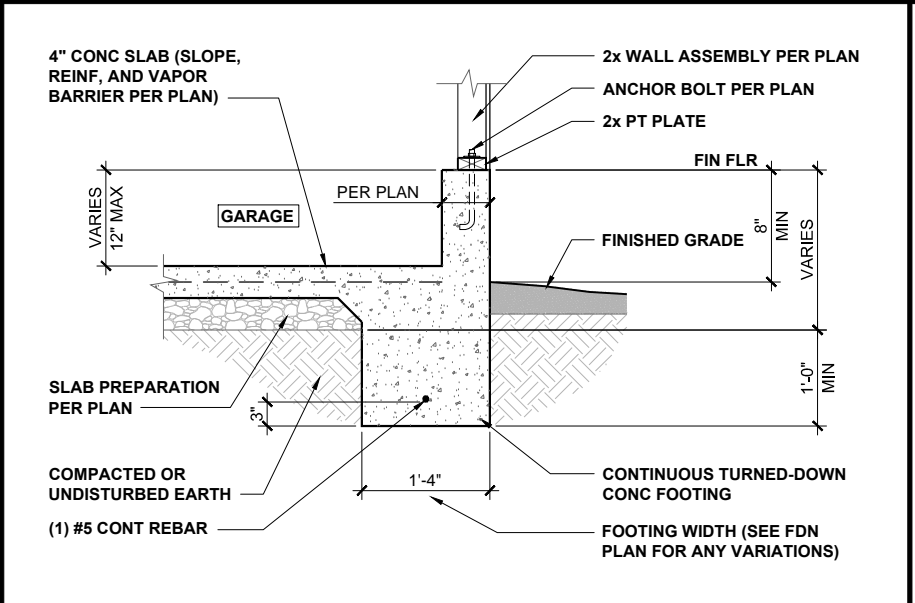
TURNED-DOWN FOOTING w/ BRICK 1/2" = 1'-0" **2**



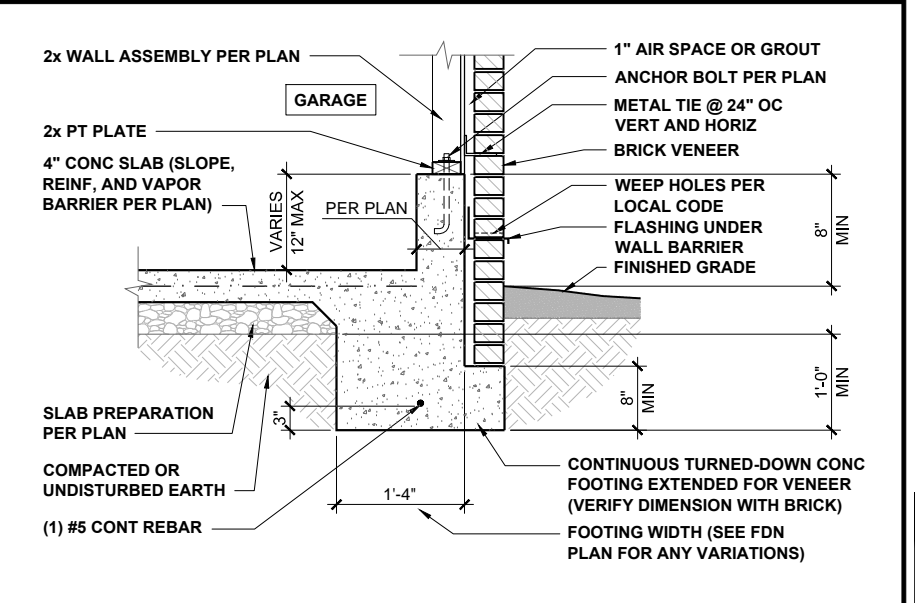
HOUSE / GARAGE FOOTING 1/2" = 1'-0" **3**



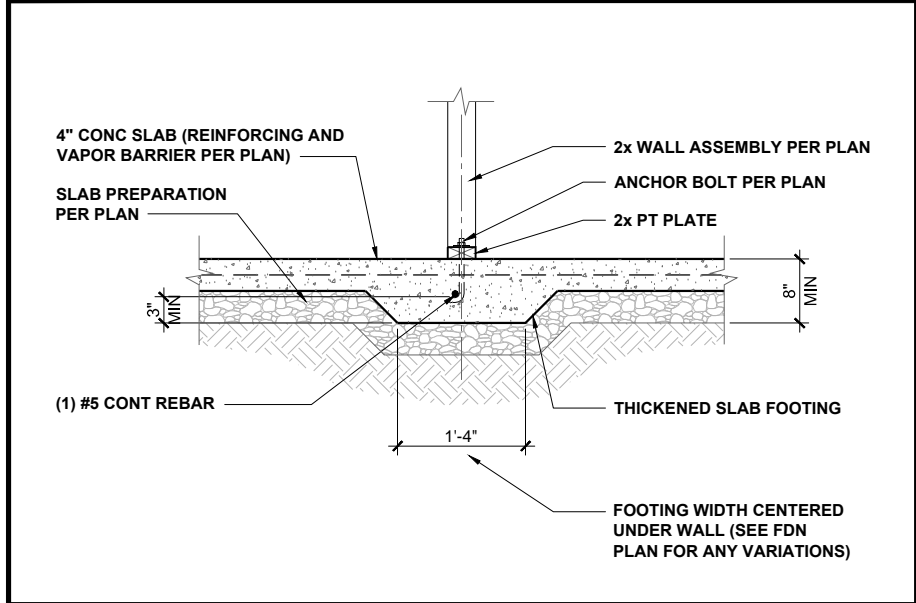
GARAGE DOORWAY FOOTING 1/2" = 1'-0" **4**



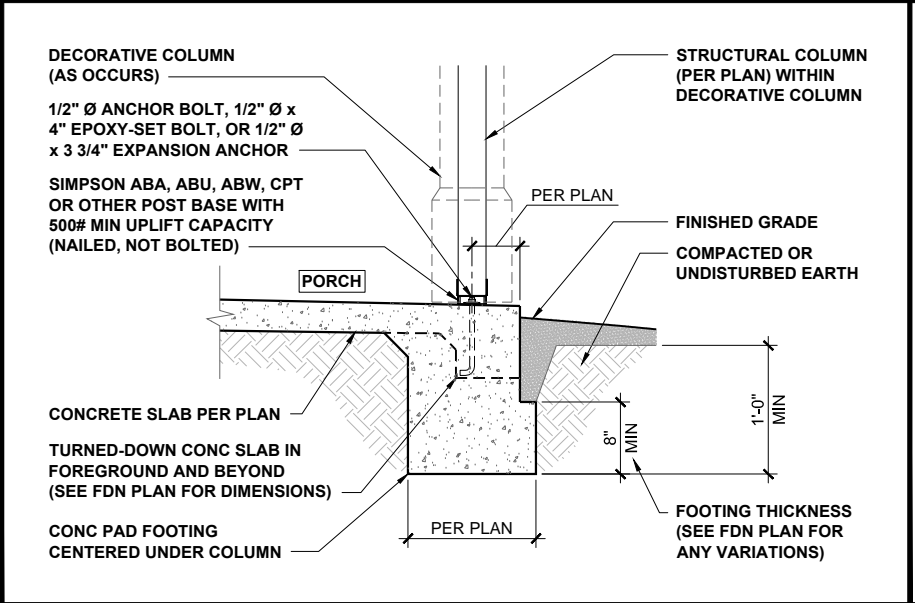
GARAGE FOUNDATION 1/2" = 1'-0" **5**



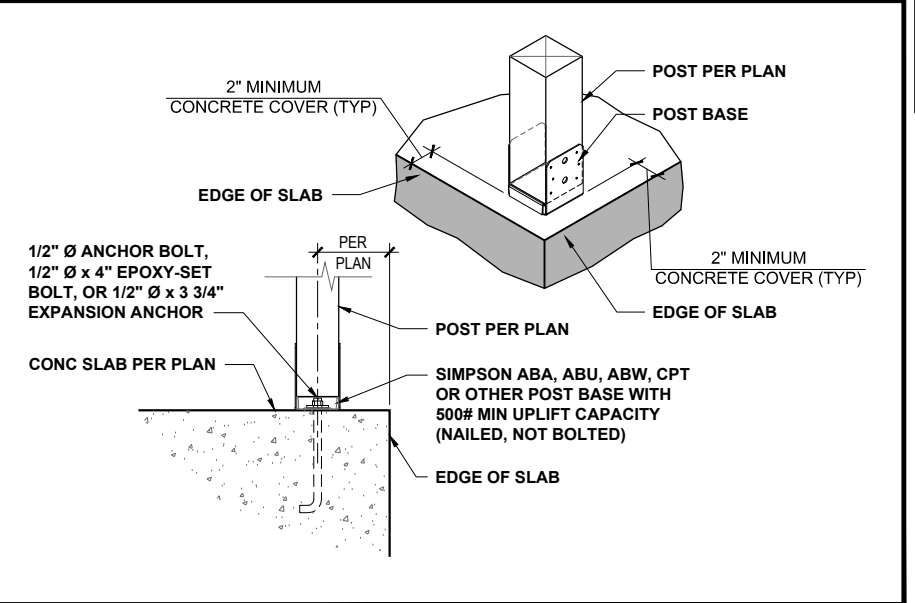
GARAGE FOUNDATION WITH BRICK 1/2" = 1'-0" **6**



INTERIOR FOOTING 1/2" = 1'-0" **7**



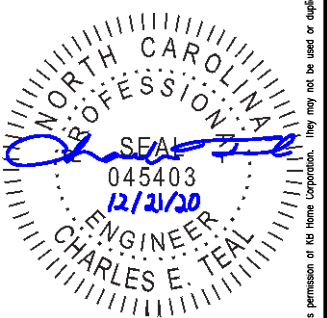
PORCH COLUMN FOUNDATION 1/2" = 1'-0" **8**



PORCH COLUMN 3/4" = 1'-0" **9**



KB HOME
NORTH CAROLINA DIVISION
4518 S. MIAMI BLVD.
SUITE 180
DURHAM, NC 27703
TEL: (919) 768-7988
FAX: (919) 472-0582



P-0961

JDSfaulkner, PLLC HAS PERFORMED A STRUCTURAL REVIEW OF THESE PLANS. THE STRUCTURAL COMPONENTS COMPLY WITH THE 2018 NORTH CAROLINA RESIDENTIAL CODE FOR ONE- AND TWO-FAMILY DWELLINGS FOR NC PLAN REVIEW. DEVIATION OF ANY STRUCTURAL REQUIREMENTS OF THESE PLANS WITHOUT THE APPROVAL OF THE EOR IS PROHIBITED.



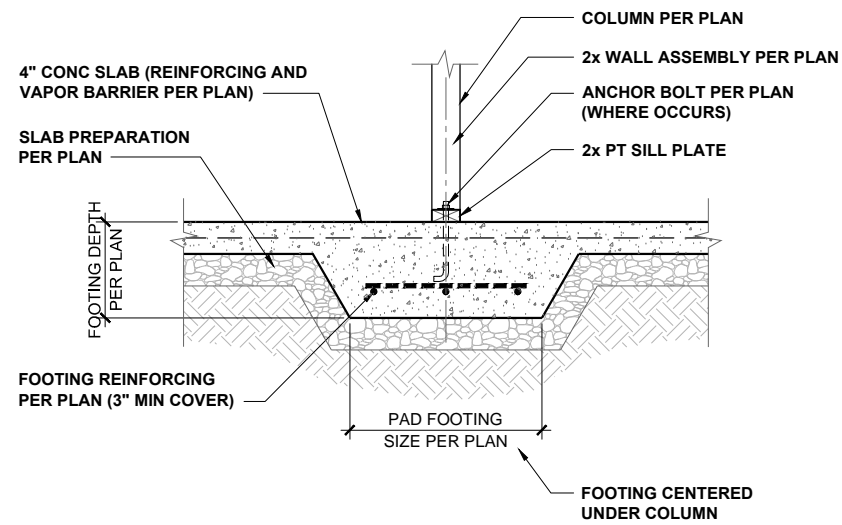
PROJECT NO.: 20902260
DATE: 12/21/2020

PLAN:
150.1446

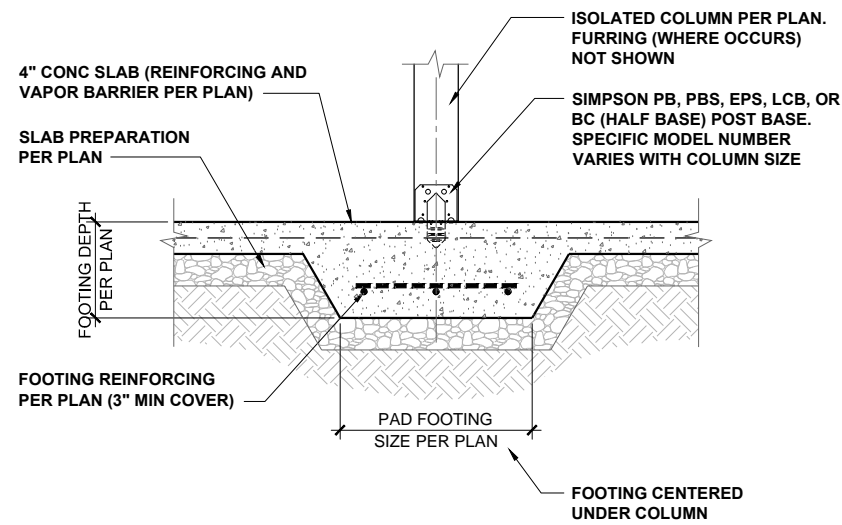
TURNED-DOWN SLAB
FOUNDATION DETAILS

D1.0

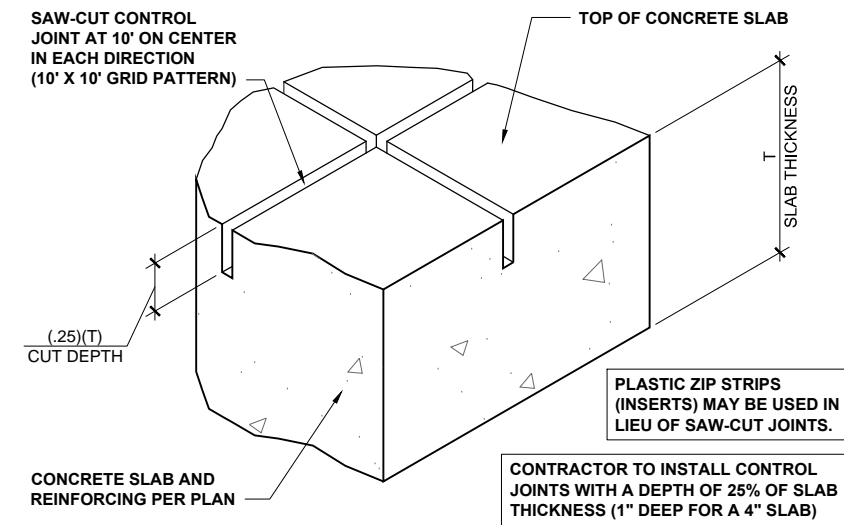
These designs and drawings are CONFIDENTIAL and the exclusive property of KB Home Corporation and are not to be disclosed without the express permission of KB Home Corporation. They may not be used or duplicated without the express permission of KB Home Corporation. Copyright 2019 © KB Home Corporation. All rights reserved.



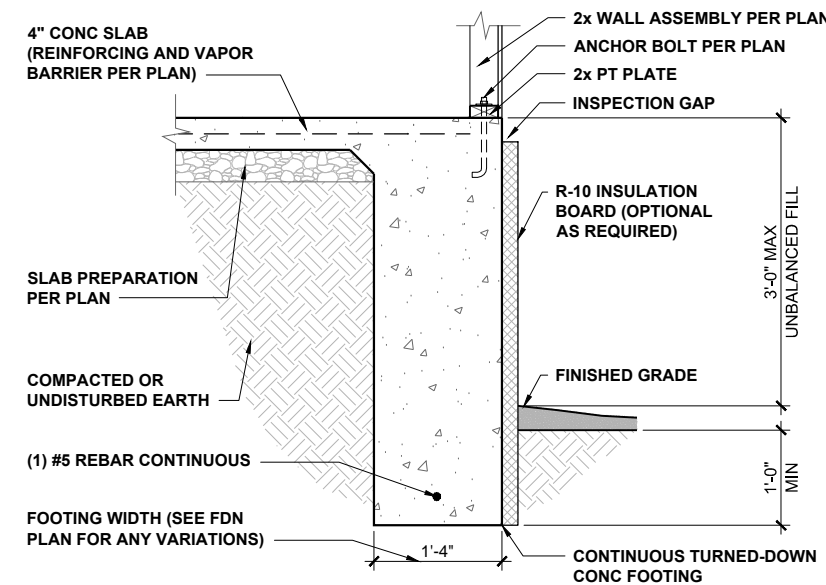
INT POINT-LOAD FOOTING SECTION 1/2" = 1'-0" **1**



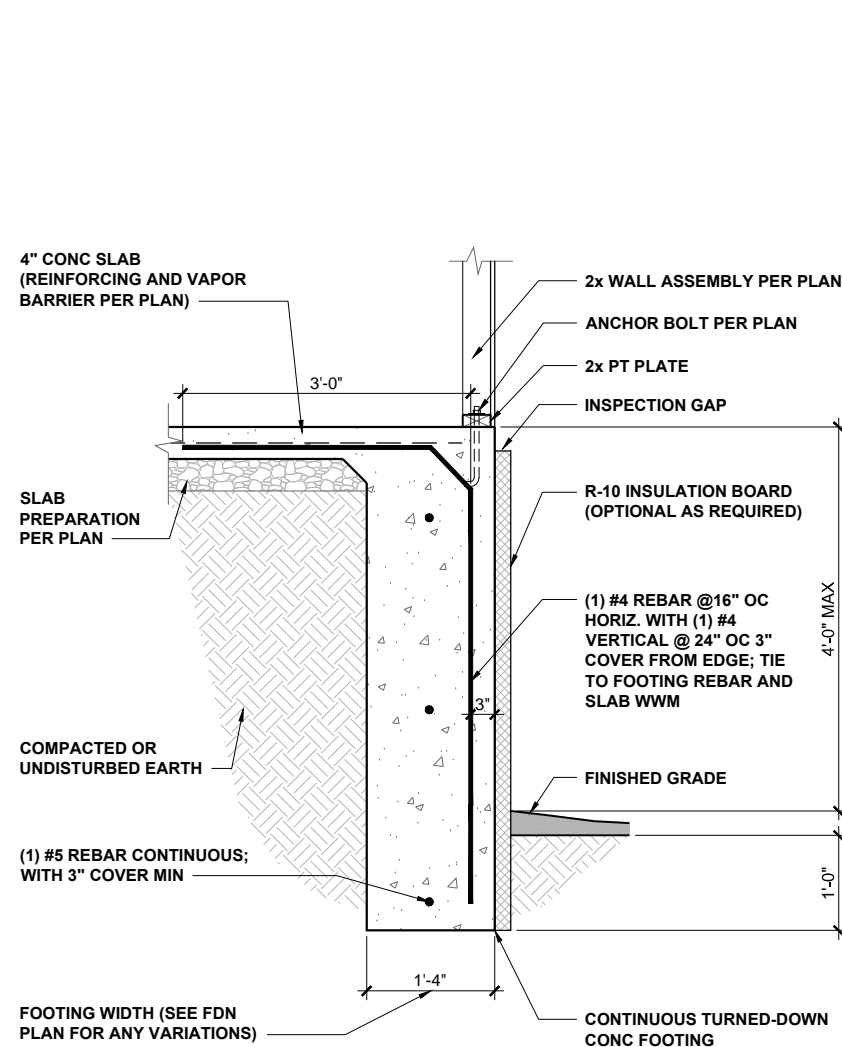
ISOLATED COLUMN FOOTING 1/2" = 1'-0" **2**



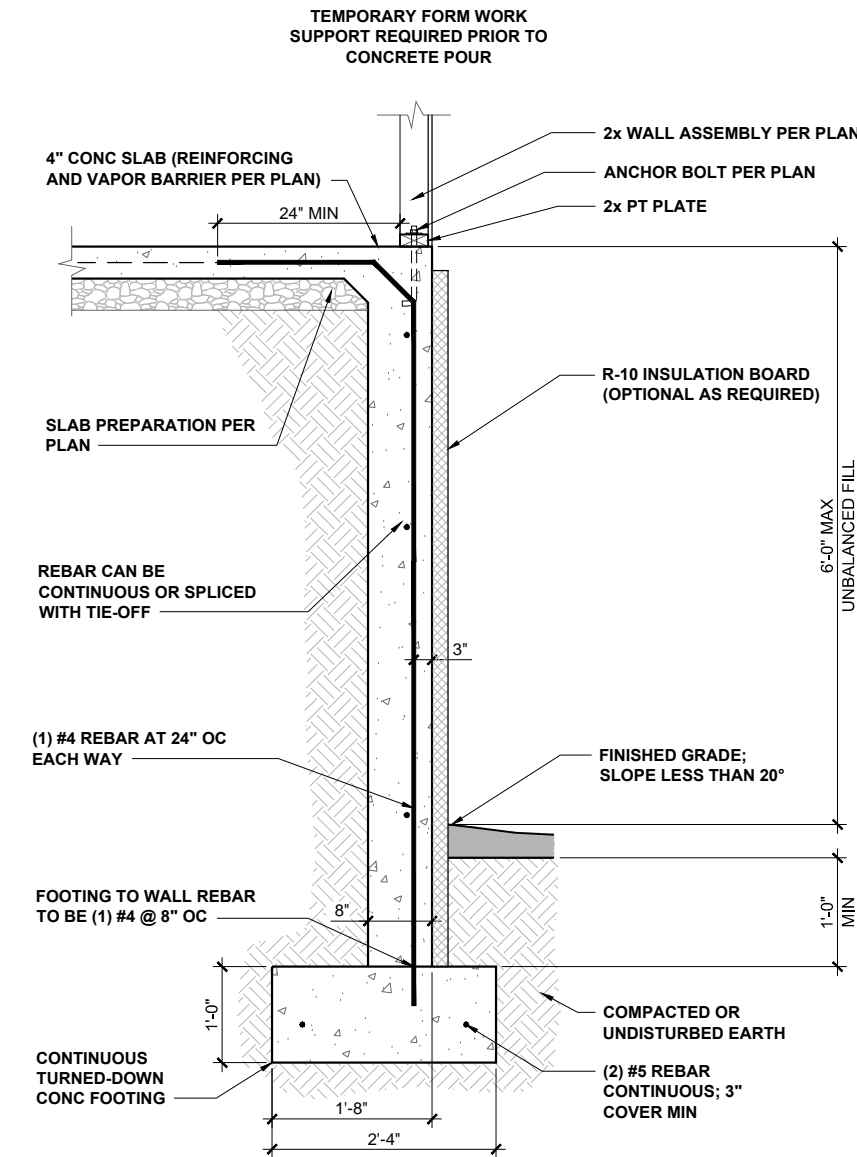
CONCRETE SLAB CONTROL JOINTS 3" = 1'-0" **3**



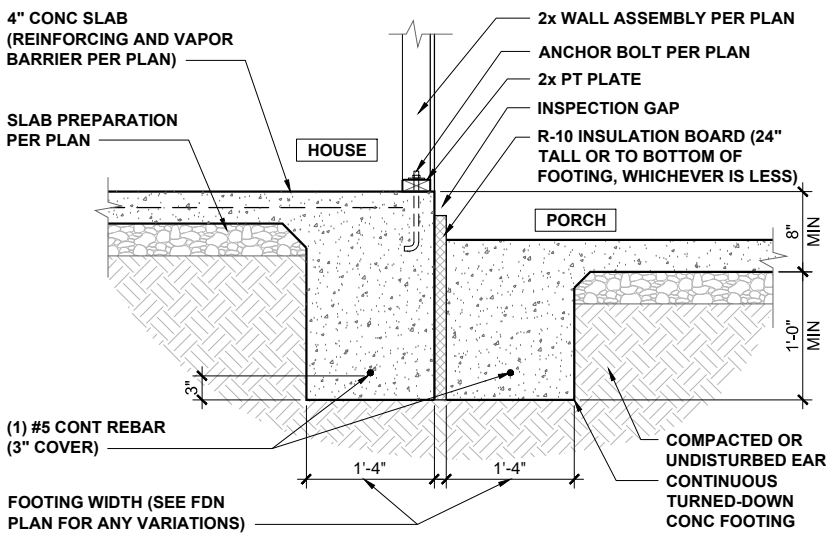
3' EXTENDED TURNED DOWN FOOTING 1/2" = 1'-0" **4**



4' EXTENDED RETAINED FOOTING 1/2" = 1'-0" **6**



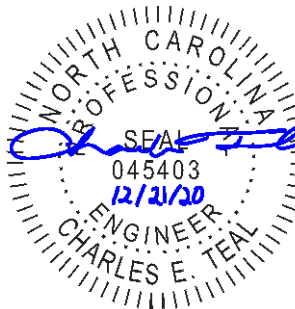
6' EXTENDED REINFORCED FOOTING 1/2" = 1'-0" **7**



FOOTING AT HOUSE/PORCH 1/2" = 1'-0" **5**



KB HOME
NORTH CAROLINA DIVISION
4518 S. MIAMI BLVD.
SUITE 180
DURHAM, NC 27703
TEL: (919) 768-7988
FAX: (919) 472-0582



P-0961

JDSfaulkner, PLLC HAS PERFORMED A STRUCTURAL REVIEW OF THESE PLANS. THE STRUCTURAL COMPONENTS COMPLY WITH THE 2018 NORTH CAROLINA RESIDENTIAL CODE FOR ONE- AND TWO-FAMILY DWELLINGS FOR NC PLAN REVIEW. DEVIATION OF ANY STRUCTURAL REQUIREMENTS OF THESE PLANS WITHOUT THE APPROVAL OF THE EOR IS PROHIBITED.

JDSfaulkner
engineering + design + consulting
8800 D' JERSEY CT, RALEIGH, NC 27617-919, 480, 1075
INFO@JDSFAULKNER.COM | WWW.JDSFAULKNER.COM

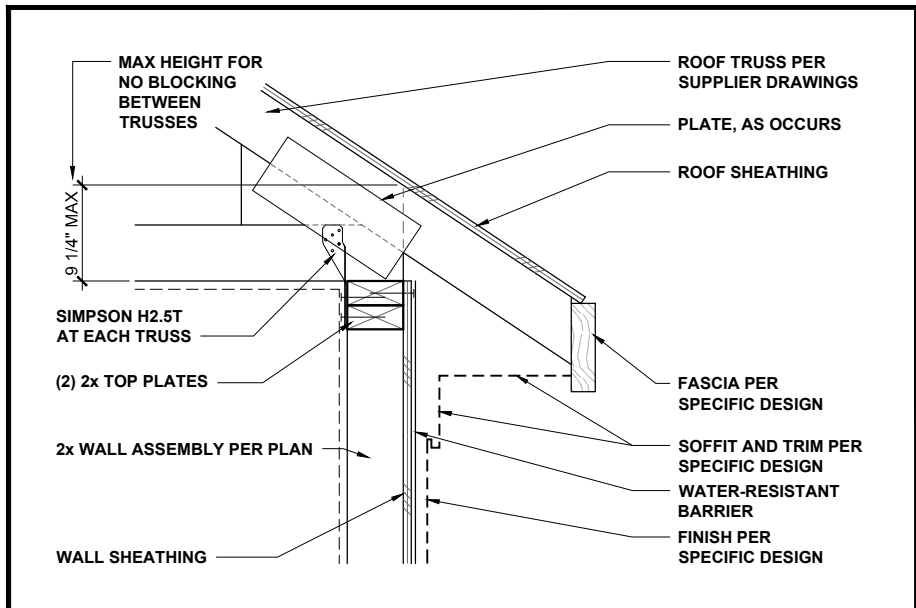
PROJECT NO.: 20902260
DATE: 12/21/2020

PLAN:
150.1446

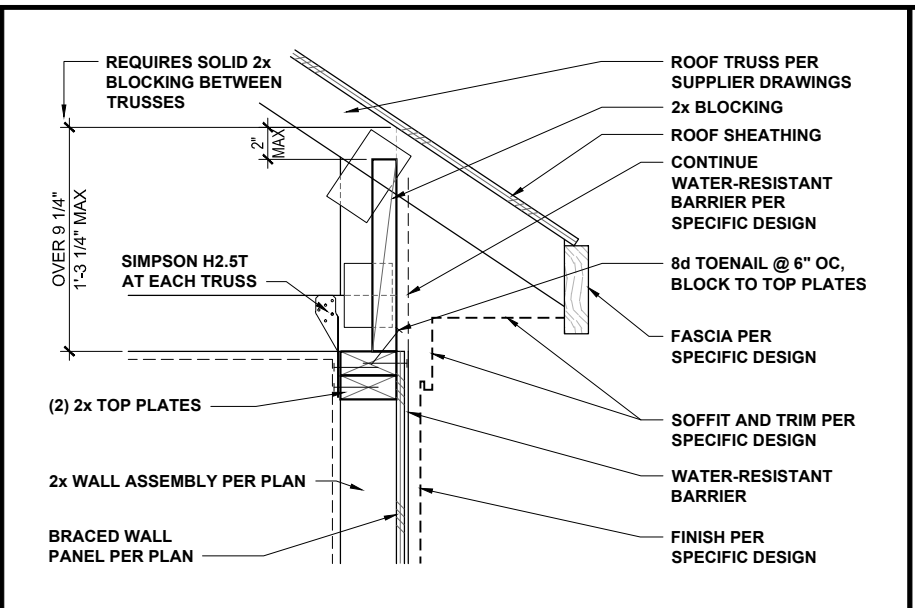
TURNED-DOWN SLAB
FOUNDATION DETAILS

D2.0

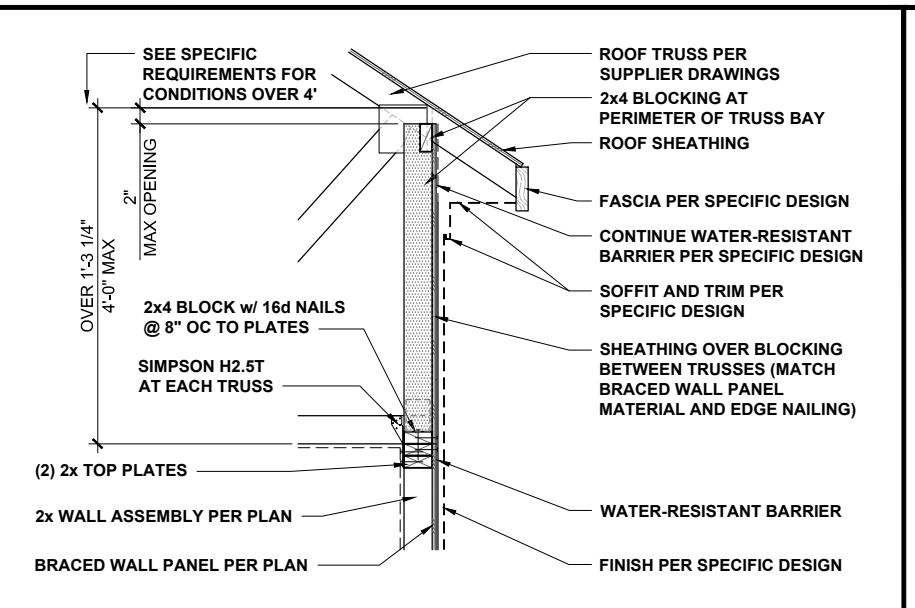
These designs and drawings are CONFIDENTIAL, and the entire property of KB Home Corporation and are not to be disclosed without the express permission of KB Home Corporation. Copyright 2019 © KB Home Corporation. All rights reserved.



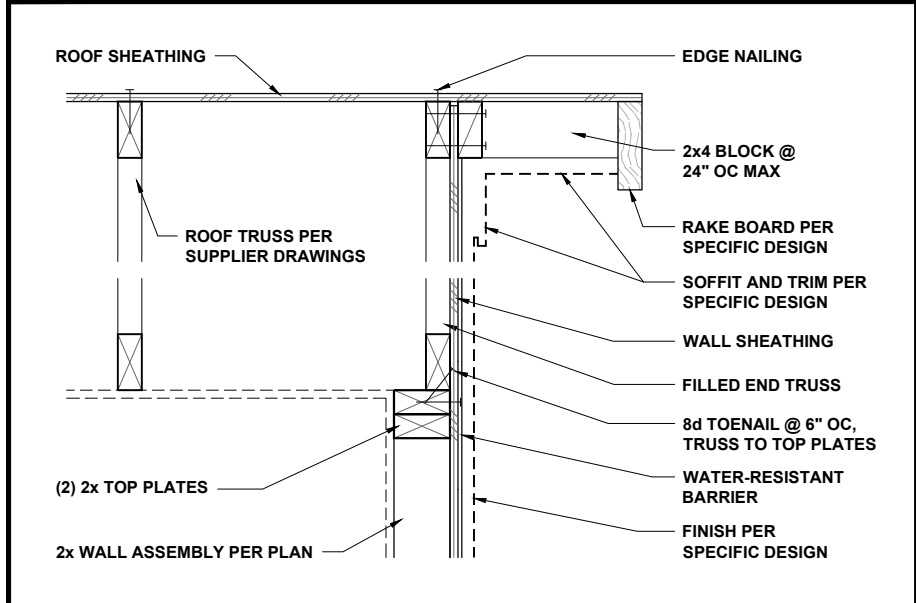
LOW-HEEL TRUSS AT WALL 1" = 1'-0" **1**



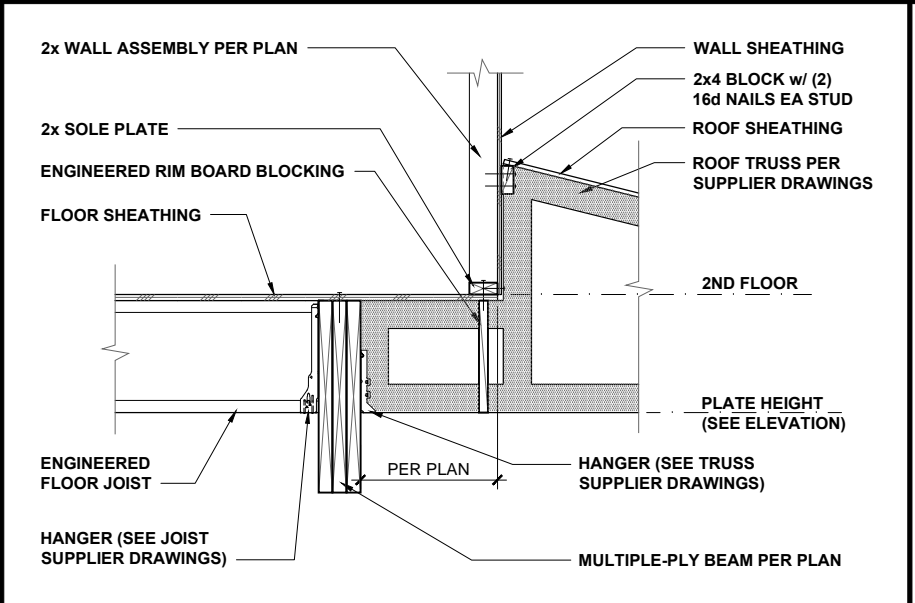
TYPICAL TRUSS AT BRACED WALL 1" = 1'-0" **2**



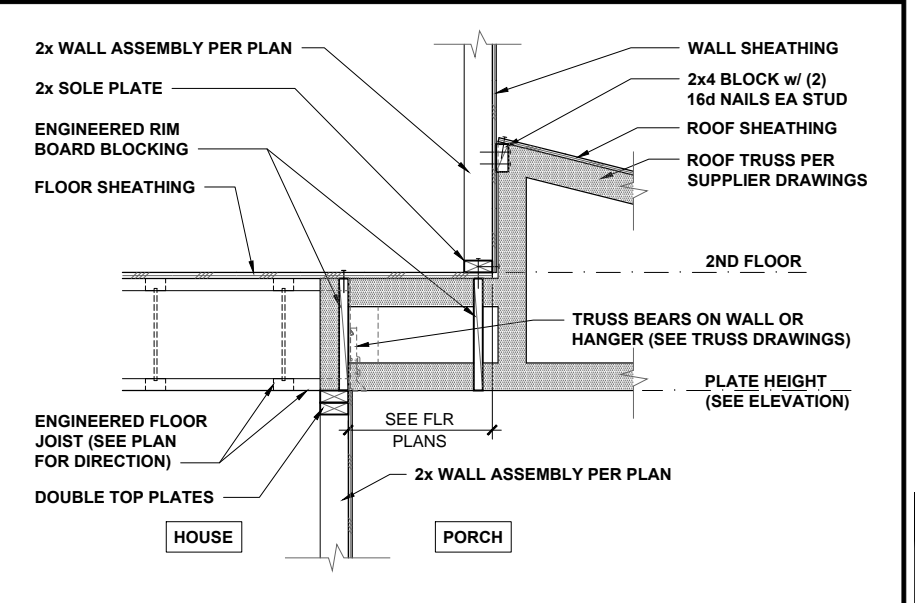
HIGH-HEEL TRUSS AT BRACED WALL 1/2" = 1'-0" **3**



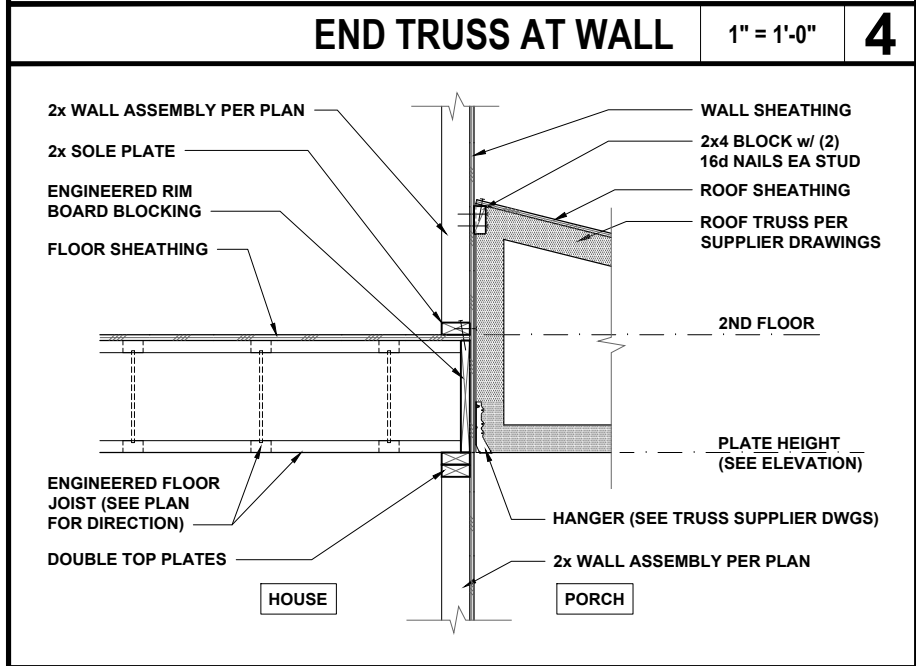
END TRUSS AT WALL 1" = 1'-0" **4**



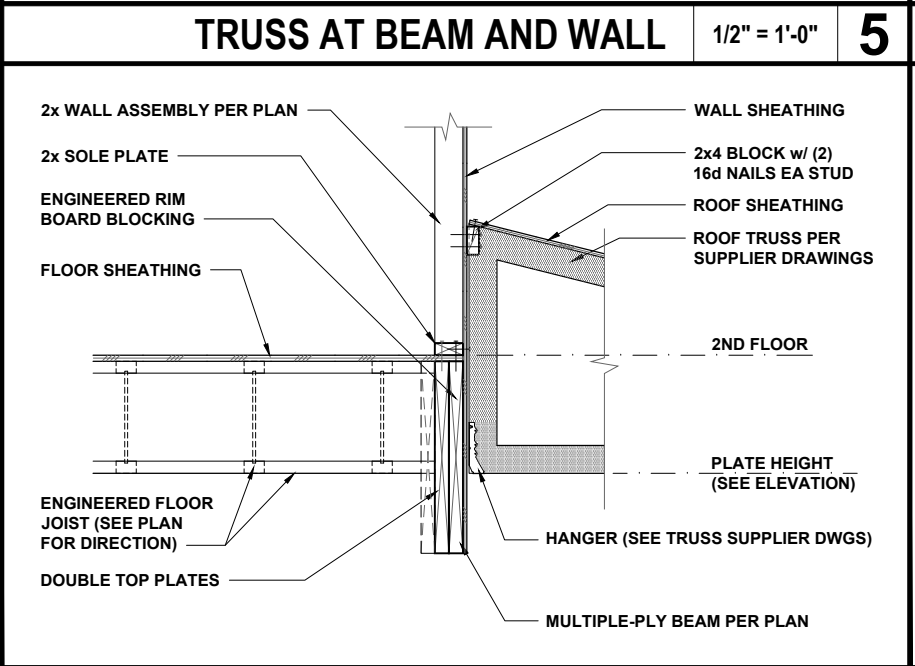
TRUSS AT BEAM AND WALL 1/2" = 1'-0" **5**



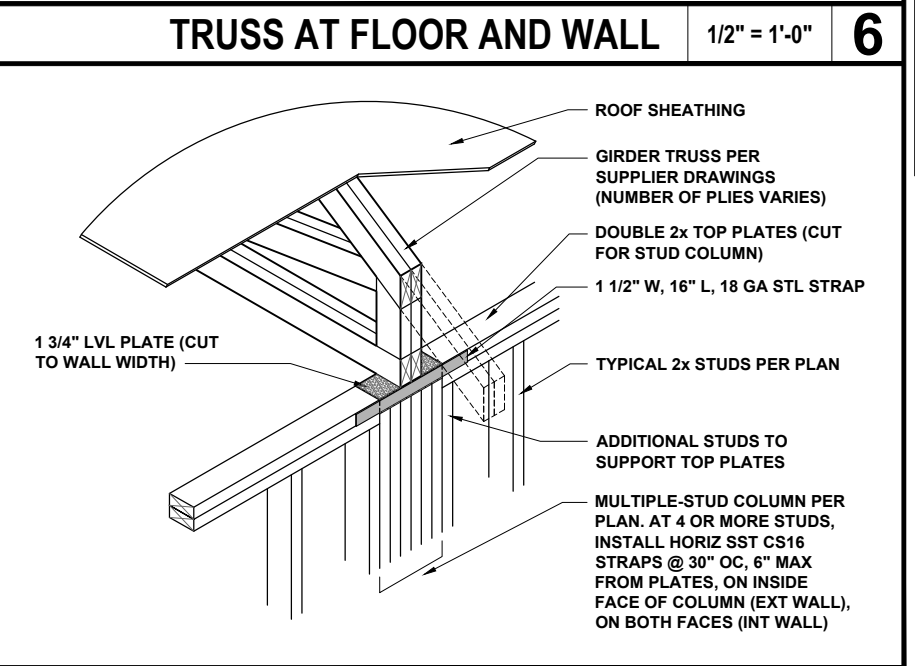
TRUSS AT FLOOR AND WALL 1/2" = 1'-0" **6**



TRUSS AT FLOOR AND WALL 1/2" = 1'-0" **7**



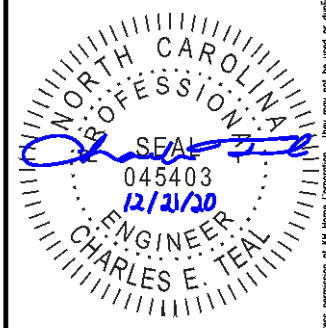
TRUSS AT BEAM AND WALL 1/2" = 1'-0" **8**



GIRDER TRUSS AT WALL 1/2" = 1'-0" **9**



KB HOME
NORTH CAROLINA DIVISION
4518 S. MIAMI BLVD.
SUITE 180
DURHAM, NC 27703
TEL: (919) 768-7988
FAX: (919) 472-0582



P-0961

JDSfaulkner, PLLC HAS PERFORMED A STRUCTURAL REVIEW OF THESE PLANS. THE STRUCTURAL COMPONENTS COMPLY WITH THE 2018 NORTH CAROLINA RESIDENTIAL CODE FOR ONE- AND TWO-FAMILY DWELLINGS FOR NC PLAN REVIEW. DEVIATION OF ANY STRUCTURAL REQUIREMENTS OF THESE PLANS WITHOUT THE APPROVAL OF THE EOR IS PROHIBITED.



8800 D' JERSEY CT, RALEIGH, NC 27617; 919.480.1075
INFO@JDSFAULKNER.COM; WWW.JDSFAULKNER.COM
PROJECT NO.: 20902260
DATE: 12/21/2020

PLAN: 150.1446

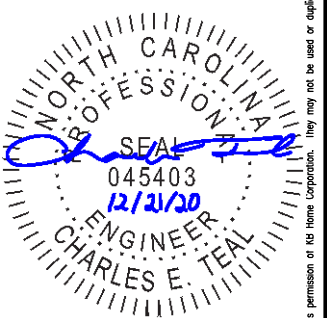
ROOF TRUSS FRAMING DETAILS

D3.0

These designs and drawings are CONFIDENTIAL, and the enclosure property of KB Home Corporation and are not to be disclosed without the express permission of KB Home Corporation. Copyright 2019 © KB Home Corporation. All rights reserved.



KB HOME
NORTH CAROLINA DIVISION
4518 S. MIAMI BLVD.
SUITE 180
DURHAM, NC 27703
TEL: (919) 768-7988
FAX: (919) 472-0582



P-0961

JDSfaulkner, PLLC HAS PERFORMED A STRUCTURAL REVIEW OF THESE PLANS. THE STRUCTURAL COMPONENTS COMPLY WITH THE 2018 NORTH CAROLINA RESIDENTIAL CODE FOR ONE- AND TWO-FAMILY DWELLINGS FOR NC PLAN REVIEW. DEVIATION OF ANY STRUCTURAL REQUIREMENTS OF THESE PLANS WITHOUT THE APPROVAL OF THE EOR IS PROHIBITED.

JDSfaulkner
engineering • design • consulting
8800 D' JERSEY CT, RALEIGH, NC 27617/919.480.1075
INFO@JDSfaulkner.COM | WWW.JDSfaulkner.COM

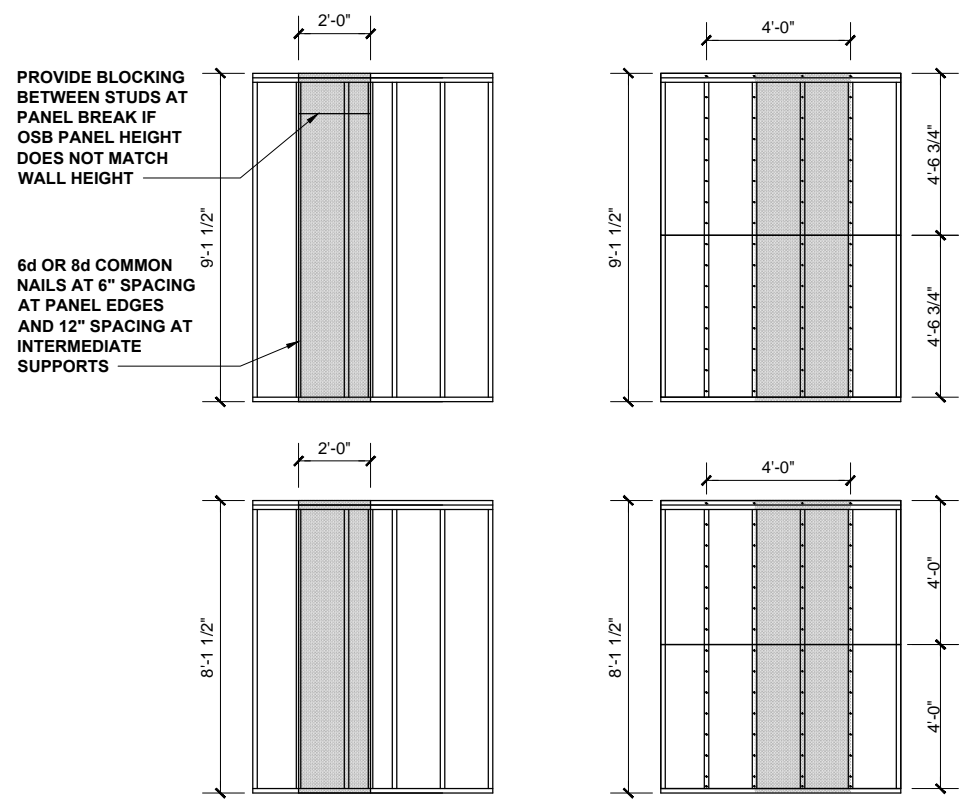
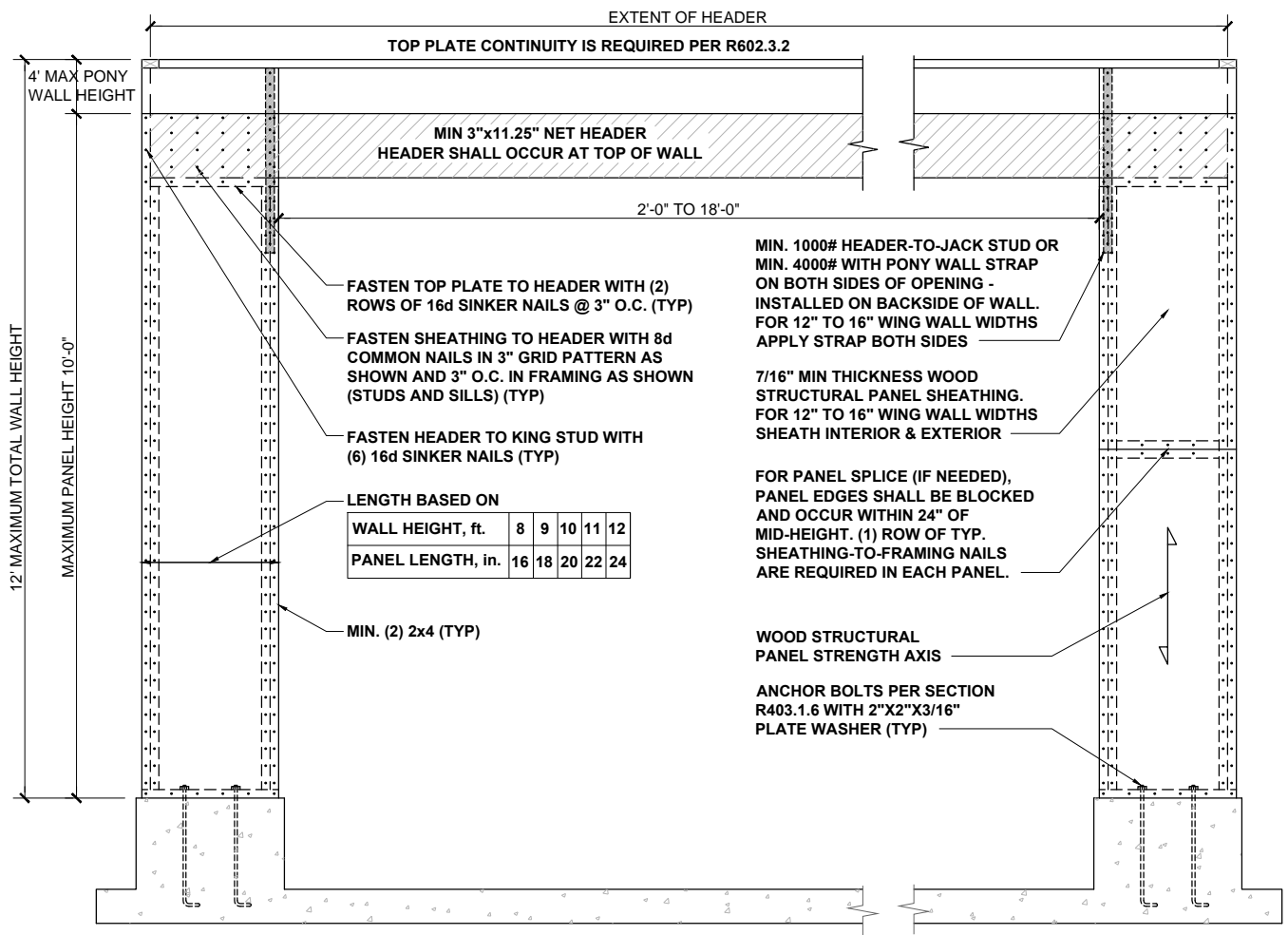
PROJECT NO.: 20902260
DATE: 12/21/2020

PLAN:
150.1446

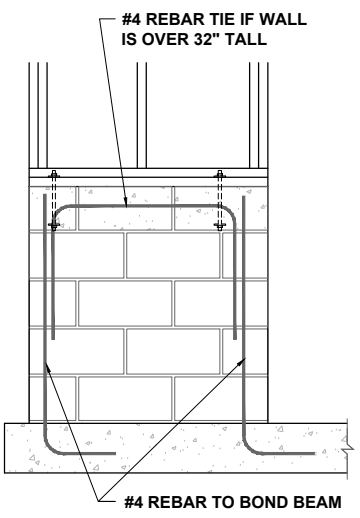
WALL BRACING DETAILS

D4.0

These designs and drawings are CONFIDENTIAL, and the exclusive property of KB Home Corporation and are not to be disclosed without the express permission of KB Home Corporation. Copyright 2019 © KB Home Corporation. All rights reserved.



HIGH-SPEED WIND ZONES
FOR LOCATIONS OF 130 MPH OR MORE ULTIMATE DESIGN WIND SPEED (110 MPH OR MORE BASIC WIND SPEED IN VIRGINIA AND GEORGIA), WALLS SHALL BE BRACED PER THE LATEST ADOPTED EDITION OF THE AMERICAN SOCIETY OF CIVIL ENGINEERS PUBLICATION ASCE 7 OR STANDARD FOR RESIDENTIAL CONSTRUCTION IN HIGH-WIND REGIONS (ICC 600).



GARAGE WING WALL AT CRAWL
SEE R602.10 - MASONRY STEM WALL SUPPORTING BRACED WALL PANELS FIGURES

METHOD PF: PORTAL FRAME PANEL CONSTRUCTION 3/8" = 1'-0" **1**

WALL SHEATHING
(2) STUDS @ CORNER
BOTTOM PLATE
FLOOR SHEATHING
RIM BOARD
SIMPSON MSTA15 HOLD DOWN

SIMPSON MSTA15 HOLD DOWN CAPACITY OF 970 POUNDS PER ANCHOR WITH (12) 10d NAILS. STRAP TO BE LOCATED AT EDGE OF BRACED WALL PANEL.

A) GARAGE DOOR CORNER
8d NAILS @ 12" O.C. (INTERMEDIATE SUPPORTS)
GYPSUM WALLBOARD (IN ACCORDANCE w/ CHAPTER 7)
OPT. BLOCKING FOR GYPSUM WALLBOARD
CONTINUOUS WOOD STRUCTURAL PANEL
MIN. 24" WOOD STRUCTURAL PANEL**
16d NAILS (2) ROWS @ 24" O.C.
OPT. NON-STRUCTURAL FILLER PANEL
8d NAILS @ 6" O.C. (PANEL EDGES)

B) GARAGE T-WALL PORTAL FRAMING 16"-12"
GYPSUM WALLBOARD (IN ACCORDANCE w/ CHAPTER 7)
NOTCH 7/16" OSB FOR ANCHOR INSPECTION
ANCHOR BOLTS
CONTINUOUS WOOD STRUCTURAL PANEL
16d NAILS (2) ROWS @ 24" OC
ANCOR BOLTS
8d NAILS @ 6" O.C. (PANEL EDGES)
12" MIN

C) GARAGE DOOR CORNER PORTAL FRAMING 16"-12"
8d NAILS @ 12" O.C. (INTERMEDIATE SUPPORTS)
GYPSUM WALLBOARD (IN ACCORDANCE w/ CHAPTER 7)
NOTCH 7/16" OSB FOR ANCHOR INSPECTION
ANCHOR BOLTS
CONTINUOUS WOOD STRUCTURAL PANEL
MIN. 24" WOOD STRUCTURAL PANEL**
16d NAILS (2) ROWS @ 24" O.C.
8d NAILS @ 6" O.C. (PANEL EDGES)
12" MIN

D) ALT. INSIDE CORNER DETAIL
8d NAILS @ 6" OC (PANEL EDGES)
16d NAILS @ 12" OC
8d NAILS @ 12" OC (INTERMEDIATE SUPPORTS)
GYPSUM WALLBOARD (IN ACCORDANCE w/ CHAPTER 7)
CONTINUOUS WOOD STRUCTURAL PANEL
MIN. 24" WOOD STRUCTURAL PANEL**

E) ALT. OUTSIDE CORNER DETAIL
GYPSUM WALLBOARD (IN ACCORDANCE w/ CHAPTER 7)
OPT. BLOCKING FOR GYPSUM WALLBOARD
CONTINUOUS WOOD STRUCTURAL PANEL
8d NAILS @ 12" OC (INTERMEDIATE SUPPORTS)
MIN. 24" WOOD STRUCTURAL PANEL**
16d NAILS (2) ROWS @ 24" OC
OPT. NON-STRUCTURAL FILLER PANEL
8d NAILS @ 6" OC (PANEL EDGES)

BRACED WALL HOLD-DOWN NTS **3**

BRACING METHODS 3/16" = 1'-0" **2**

CORNER FRAMING FOR CONTINUOUS SHEATHING 1/4" = 1'-0" **4**

CORNER FRAMING FOR CONTINUOUS SHEATHING 1/4" = 1'-0" **4**