

SIMPSON CONNECTOR SCHEDULE

HANGER TYPE	Qty	FASTENERS		CARRYING MEMBER	CARRIED MEMBER
		CARRYING MEMBER	CARRIED MEMBER		
HTU-26	8	20-16d	20-10d x 1½	B03, C02	A01, A14
HTU-26-2	2	20-16d	20-10d x 1½	B03, C02	A01, A14

ROOF TRUSS NOTES:

DO NOT CUT, DRILL, NOTCH, OR OTHERWISE DAMAGE TRUSSES. Contact your BFS Representative for assistance PRIOR TO modifying any truss. **Espanol** - (NO CORTE, PERFORE, HAGA MUESCAS O DANE DE CUALQUIER OTRA MANERA LAS TRUSSES (CERCHAS DE MADERA). Contacte a su representante de BFS para asistencia ANTES de realizar cualquier modificación.)

- This Truss Placement Diagram is intended to serve as a guide for truss installation. This Diagram has been prepared by a Truss Technician and is not an engineered drawing.
- The responsibilities of the Owner, Building Designer, Contractor, Truss Designer, and Truss Manufacturer shall be as defined by the TPI National Standard.
- The wood components shown on this diagram are to be used in dry service (moisture content < 19%) and non-toxic environmental applications. The metal plates and hangers are galvanized to the G60 Standard unless noted otherwise.
- Refer to the Truss Design Drawings for specific information about each individual truss design.
- The Truss Technician shall provide Truss-to-Truss Connection Requirements. Any special or other connection shall be the responsibility of the Building Designer.
- The Truss Placement Diagram and Truss Design Drawings are the property of Builders FirstSource and may not be reused or reproduced in part or in total under any circumstances without prior written authorization.
- In some cases, field framing may be required to achieve the final appearance shown on the Construction Documents.
- Field framing, including valley rafters, installed over roof trusses shall have a knee brace from the rafter to the truss top chord at intervals of 48" on center (O.C.) or less. Stagger knee braces from adjacent rafters such that the load is distributed uniformly over multiple truss locations and not concentrated at one location or along one truss.
- Truss Top Chords shall be fully sheathed or have lateral bracing (purlins) spaced at 24" O.C. or less. Truss Bottom Chord Bracing shall not exceed the maximum shown on the Truss Design Drawing. Field framed bottom chord floor or ceiling attachments shall be spaced at 24" O.C. or less. Proper Bracing prevents buckling of individual truss members due to design loads.
- This Placement Diagram is based upon the supporting structure being structurally adequate, dimensionally correct, square, plumb, and level to adequately support the trusses. The foundation design, structural member sizing, load transfer, bearing conditions, and the structure's compliance with the applicable building code are the responsibility of the Owner, Building Designer, and Contractor.
- If Piggyback Trusses are included in this project, refer to the Mitek Piggyback Connection Detail applicable for the project details and wind load category.
- The Contractor shall follow the SBCA TTB Partition Separation Prevention and Solutions for truss attachment to non-load bearing walls and carefully complete these details to avoid gypsum wall board related issues.

WARNING:

TRUSSES MUST BE BRACED DURING INSTALLATION. FAILURE TO DO SO MAY RESULT IN INJURY OR DEATH. **Espanol** - (TRUSSES (CERCHAS) DEBERAN TENER UN SOPORTE DURANTE LA INSTALACION. NO HACERLO PODRIA RESULTAR EN LESIONES O MUERTE.)

- Trusses shall be installed in a safe manner meeting all code, local, OSHA, TPI, and BCSI Specifications. Failure to follow these specifications may result in injury or death.
- Buildings under construction are vulnerable to high winds and present a possible safety hazard. The Contractor is responsible for recognizing adverse weather conditions and shall take appropriate action to prevent injury or death.
- BCSI INSTRUCTIONS SHALL BE FOLLOWED:
 BCSI-B1 = Safe Truss Handling and Installation
 BCSI-B2 = Installation and Temporary Restraint
 BCSI-B3 = Permanent Restraint
 BCSI-B4 = Safe Construction Loading
 BCSI-B5 = Truss Damage and Modification Guidelines
 BCSI-B7 = Floor Truss Installation
 BCSI-B8 = Toe-Nailed Connections
 BCSI-B9 = Multi-Ply Girders
 BCSI-B10 = Post Frame Truss Installation
 BCSI-B11 = Fall Protection
- Follow TPI Requirements for Long Span Trusses (>60').

REVISIONS

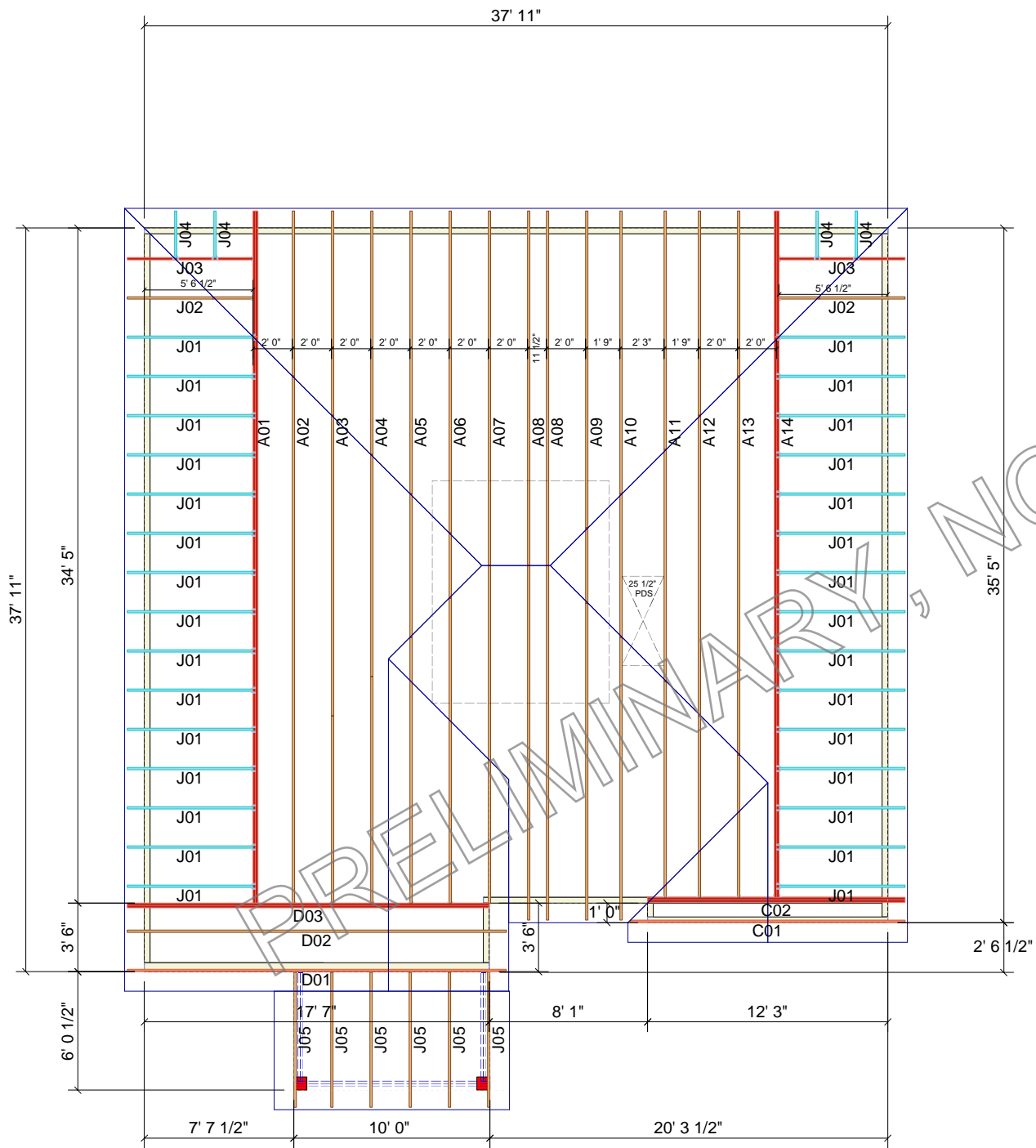
1	X
2	X
3	X
4	X

H&H
Wayfare "A"
Base
Lot - Sub
Roof Truss

SUMTER TRUSS PLANT
P.O. BOX 1546
SUMTER, SC 29151
PHONE: (803) 778-1921
FAX: (803) 773-4731



DRAWN BY
JR
DATE
1/10/18
JOB NUMBER
XXXXXX
SHEET NUMBER
1 of 1



SIMPSON CONNECTOR SCHEDULE

HANGER TYPE	Qty	FASTENERS			
		CARRYING MEMBER	CARRIED MEMBER	CARRYING MEMBER	CARRIED MEMBER
HTU-26	8	20-16d	20-10d x 1½	D03, C02	A01, A14
HTU-26-2	2	20-16d	20-10d x 1½	D03, C02	A01, A14

ROOF TRUSS NOTES:

DO NOT CUT, DRILL, NOTCH, OR OTHERWISE DAMAGE TRUSSES. Contact your BFS Representative for assistance PRIOR TO modifying any truss. **Espanol** - (NO CORTE, PERFORE, HAGA MUESCAS O DANE DE CUALQUIER OTRA MANERA LAS TRUSSES (CERCHAS DE MADERA). Contacte a su representante de BFS para asistencia ANTES de realizar cualquier modificación.)

- This Truss Placement Diagram is intended to serve as a guide for truss installation. This Diagram has been prepared by a Truss Technician and is not an engineered drawing.
- The responsibilities of the Owner, Building Designer, Contractor, Truss Designer, and Truss Manufacturer shall be as defined by the TPI National Standard.
- The wood components shown on this diagram are to be used in dry service (moisture content < 19%) and non-toxic environmental applications. The metal plates and hangers are galvanized to the G60 Standard unless noted otherwise.
- Refer to the Truss Design Drawings for specific information about each individual truss design.
- The Truss Technician shall provide Truss-to-Truss Connection Requirements. Any special or other connection shall be the responsibility of the Building Designer.
- The Truss Placement Diagram and Truss Design Drawings are the property of Builders FirstSource and may not be reused or reproduced in part or in total under any circumstances without prior written authorization.
- In some cases, field framing may be required to achieve the final appearance shown on the Construction Documents.
- Field framing, including valley rafters, installed over roof trusses shall have a knee brace from the rafter to the truss top chord at intervals of 48" on center (O.C.) or less. Stagger knee braces from adjacent rafters such that the load is distributed uniformly over multiple truss locations and not concentrated at one location or along one truss.
- Truss Top Chords shall be fully sheathed or have lateral bracing (purlins) spaced at 24" O.C. or less. Truss Bottom Chord Bracing shall not exceed the maximum shown on the Truss Design Drawing. Field framed bottom chord floor or ceiling attachments shall be spaced at 24" O.C. or less. Proper Bracing prevents buckling of individual truss members due to design loads.
- This Placement Diagram is based upon the supporting structure being structurally adequate, dimensionally correct, square, plumb, and level to adequately support the trusses. The foundation design, structural member sizing, load transfer, bearing conditions, and the structure's compliance with the applicable building code are the responsibility of the Owner, Building Designer, and Contractor.
- If Piggyback Trusses are included in this project, refer to the Mitek Piggyback Connection Detail applicable for the project details and wind load category.
- The Contractor shall follow the SBCE TTB Partition Separation Prevention and Solutions for truss attachment to non-load bearing walls and carefully complete these details to avoid gypsum wall board related issues.

WARNING:

TRUSSES MUST BE BRACED DURING INSTALLATION. FAILURE TO DO SO MAY RESULT IN INJURY OR DEATH. **Espanol** - (TRUSSES (CERCHAS) DEBERAN TENER UN SOPORTE DURANTE LA INSTALACION. NO HACERLO PODRIA RESULTAR EN LESIONES O MUERTE.)

- Trusses shall be installed in a safe manner meeting all code, local, OSHA, TPI, and BCSI Specifications. Failure to follow these specifications may result in injury or death.
- Buildings under construction are vulnerable to high winds and present a possible safety hazard. The Contractor is responsible for recognizing adverse weather conditions and shall take appropriate action to prevent injury or death.
- BCSI INSTRUCTIONS SHALL BE FOLLOWED:
 BCSI-B1 = Safe Truss Handling and Installation
 BCSI-B2 = Installation and Temporary Restraint
 BCSI-B3 = Permanent Restraint
 BCSI-B4 = Safe Construction Loading
 BCSI-B5 = Truss Damage and Modification Guidelines
 BCSI-B7 = Floor Truss Installation
 BCSI-B8 = Toe-Nailed Connections
 BCSI-B9 = Multi-Ply Girders
 BCSI-B10 = Post Frame Truss Installation
 BCSI-B11 = Fall Protection
- Follow TPI Requirements for Long Span Trusses (>60').

REVISIONS

1	X
2	X
3	X
4	X

H&H
Wayfare "C"
Base
Lot - Sub
Roof Truss

SUMTER TRUSS PLANT
P.O. BOX 1546
SUMTER, SC 29151
PHONE: (803) 778-1921
FAX: (803) 773-4731



DRAWN BY
JR
DATE
1/10/18
JOB NUMBER
XXXXXX
SHEET NUMBER
1 of 1