

Mark Morris, P.E.

#126, 1317-M, Summerville, SC 29483

843 209-5784, Fax (866)-213-4614

The truss drawing(s) listed below have been prepared by **Atlantic Building Components** under my direct supervision based on the parameters provided by the truss designers.

AST #: 23872

JOB: 20-4531-R01

JOB NAME: LOT 1163 CARRIAGE CIRCLE

Wind Code: 37

Wind Speed: Vult= 130mph

Exposure Category: B

Mean Roof Height (feet): 23

22 Truss Design(s)

Trusses:

J01, J02, PB01, PB02, R01, R02, R03, R03A, R04, R05, R06, R07, R08, R09, R10, R11, VT01, VT02, VT03, VT04, VT05, VT06



10/7/2020

Mark Morris

Warning !—Verify design parameters and read notes before use.

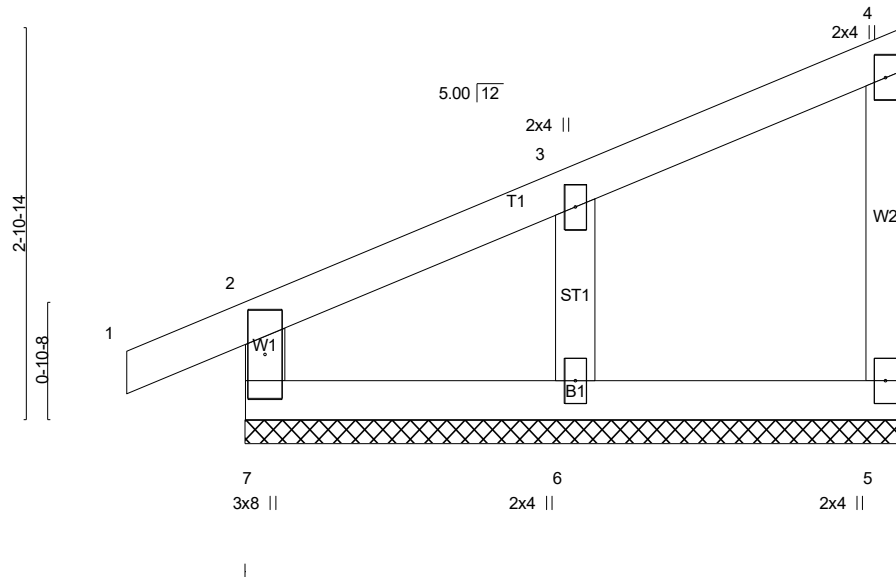
This design is based only upon parameters shown, and is for an individual building component to be installed and loaded vertically. Applicability of design parameters and proper incorporation of component is responsibility of building designer – not truss designer or truss engineer. Bracing shown is for lateral support of individual web members only. Additional temporary bracing to ensure stability during construction is the responsibility of the erector. Additional permanent bracing of the overall structure is the responsibility of the building designer. For general guidance regarding fabrication, quality control, storage, delivery, erection and bracing, consult ANSI/TPI 1 *National Design Standard for Metal Plate Connected Wood Truss Construction* and BCSI 1-03 *Guide to Good Practice for*

Job 20-4531-R01	Truss J01	Truss Type Monopitch Supported Gable	Qty 1	Ply 1	LOT 1163 CARRIAGE CIRCLE 108 SPRUCE HOLLOW CIRCLE SPRING LAKE, N.C. Job Reference (optional) # 23872
--------------------	--------------	---	----------	----------	---

8.330 s Mar 10 2020 MiTek Industries, Inc. Thu Oct 8 20:16:39 2020 Page 1
ID:MsMZ7fuyNIJd5IEFbR85JwyPq?q-AAW6EEbM3F_CLXjF027KYcbll7y7UH7eqsSHvuyVNqM



Scale = 1:17.0



LOADING (psf)	SPACING-	CSI.	DEFL.	PLATES	GRIP
TCLL (roof) 20.0	2-0-0	TC 0.12	in (loc) l/defl L/d	MT20	244/190
Snow (Pf) 20.0	Plate Grip DOL 1.15	BC 0.08	Vert(LL) -0.00 1 n/r 180		
TCDL 10.0	Lumber DOL 1.15	WB 0.05	Vert(CT) -0.00 1 n/r 80		
BCLL 0.0 *	Rep Stress Incr YES	Matrix-R	Horz(CT) 0.00 5 n/a n/a		
BCDL 10.0	Code IRC2018/TPI2014			Weight: 23 lb	FT = 0%

LUMBER-
TOP CHORD 2x4 SP No.2
BOT CHORD 2x4 SP No.3
WEBS 2x4 SP No.3
OTHERS 2x4 SP No.3

BRACING-
TOP CHORD Structural wood sheathing directly applied or 4-10-8 oc purlins, except end verticals.
BOT CHORD Rigid ceiling directly applied or 10-0-0 oc bracing.
MiTek recommends that Stabilizers and required cross bracing be installed during truss erection, in accordance with Stabilizer Installation guide.

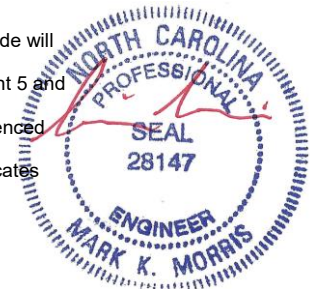
REACTIONS. (lb/size) 7=151/4-10-8 (min. 0-1-8), 5=76/4-10-8 (min. 0-1-8), 6=200/4-10-8 (min. 0-1-8)
Max Horz 7=74(LC 14)
Max Uplift 7=-7(LC 10), 5=-18(LC 14), 6=-80(LC 14)
Max Grav 7=219(LC 21), 5=106(LC 21), 6=274(LC 21)

FORCES. (lb) - Max. Comp./Max. Ten. - All forces 250 (lb) or less except when shown.

NOTES- (13-14)

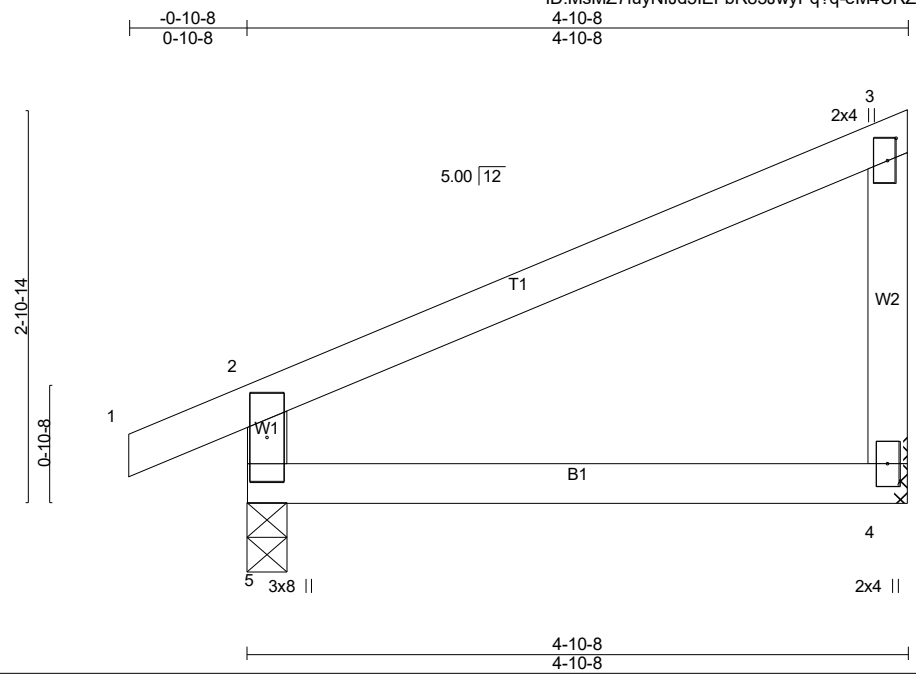
- 1) Wind: ASCE 7-16; Vult=130mph (3-second gust) Vasd=103mph; TCDL=5.0psf; BCDL=5.0psf; h=23ft; Cat. II; Exp B; Enclosed; MWFRS (envelope) gable end zone and C-C Exterior(2) zone; end vertical left exposed; porch left exposed; C-C for members and forces & MWFRS for reactions shown; Lumber DOL=1.60 plate grip DOL=1.60
- 2) Truss designed for wind loads in the plane of the truss only. For studs exposed to wind (normal to the face), see Standard Industry Gable End Details as applicable, or consult qualified building designer as per ANSI/TPI 1.
- 3) TCLL: ASCE 7-16; Pr=20.0 psf (roof LL: Lum DOL=1.15 Plate DOL=1.15); Pf=20.0 psf (Lum DOL=1.15 Plate DOL=1.15); Is=1.0; Rough Cat B; Partially Exp.; Ce=1.0; Cs=1.00; Ct=1.10
- 4) Unbalanced snow loads have been considered for this design.
- 5) This truss has been designed for greater of min roof live load of 12.0 psf or 2.00 times flat roof load of 20.0 psf on overhangs non-concurrent with other live loads.
- 6) Gable requires continuous bottom chord bearing.
- 7) Truss to be fully sheathed from one face or securely braced against lateral movement (i.e. diagonal web).
- 8) Gable studs spaced at 2-0-0 oc.
- 9) This truss has been designed for a 10.0 psf bottom chord live load nonconcurrent with any other live loads.
- 10) * This truss has been designed for a live load of 30.0psf on the bottom chord in all areas where a rectangle 3-6-0 tall by 1-0-0 wide will fit between the bottom chord and any other members.
- 11) Provide mechanical connection (by others) of truss to bearing plate capable of withstanding 7 lb uplift at joint 7, 18 lb uplift at joint 5 and 80 lb uplift at joint 6.
- 12) This truss is designed in accordance with the 2018 International Residential Code sections R502.11.1 and R802.10.2 and referenced standard ANSI/TPI 1.
- 13) Graphical web bracing representation does not depict the size, type or the orientation of the brace on the web. Symbol only indicates that the member must be braced.
- 14) Bearing symbols are only graphical representations of a possible bearing condition. Bearing symbols are not considered in the structural design of the truss to support the loads indicated.

LOAD CASE(S) Standard



10/7/2020

Warning !—Verify design parameters and read notes before use. This design is based only upon parameters shown, and is for an individual building component to be installed and loaded vertically. Applicability of design parameters and proper incorporation of component is responsibility of building designer – not truss designer or truss engineer. Bracing shown is for lateral support of individual web members only. Additional temporary bracing to ensure stability during construction is the responsibility of the erector. Additional permanent bracing of the overall structure is the responsibility of the building designer. For general guidance regarding fabrication, quality control, storage, delivery, erection and bracing, consult ANSI/TPI 1 *National Design Standard for Metal Plate Connected Wood Truss Construction* and BCSI 1-03 *Guide to Good Practice for Handling, Installing & Bracing of Metal Plate Connected Wood Trusses* from Truss Plate Institute, 583 D'Onofrio Drive, Madison, WI 53719.



Scale = 1:17.0

Plate Offsets (X,Y)-- [3:0-2-0,0-0-12]

LOADING (psf)	SPACING-	CSI.	DEFL.	in	(loc)	l/defl	L/d	PLATES	GRIP
TCLL (roof) 20.0	2-0-0	TC 0.38	Vert(LL) -0.02	4-5	>999	240		MT20	244/190
Snow (Pf) 20.0	Lumber DOL 1.15	BC 0.19	Vert(CT) -0.03	4-5	>999	180			
TCDL 10.0	Rep Stress Incr YES	WB 0.00	Horz(CT) 0.00	4	n/a	n/a			
BCLL 0.0 *	Code IRC2018/TPI2014	Matrix-R							
BCDL 10.0								Weight: 21 lb	FT = 0%

LUMBER-
 TOP CHORD 2x4 SP No.2
 BOT CHORD 2x4 SP No.2
 WEBS 2x4 SP No.3

BRACING-
 TOP CHORD Structural wood sheathing directly applied or 4-10-8 oc purlins, except end verticals.
 BOT CHORD Rigid ceiling directly applied or 10-0-0 oc bracing.

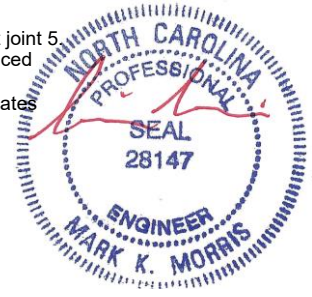
MiTek recommends that Stabilizers and required cross bracing be installed during truss erection, in accordance with Stabilizer Installation guide.

REACTIONS. (lb/size) 4=177/Mechanical, 5=251/0-3-8 (min. 0-1-8)
 Max Horz 5=74(LC 14)
 Max Uplift 4=-67(LC 10), 5=-66(LC 10)
 Max Grav 4=243(LC 21), 5=356(LC 21)

FORCES. (lb) - Max. Comp./Max. Ten. - All forces 250 (lb) or less except when shown.
 TOP CHORD 2-5=-324/69

- NOTES-** (10-11)
- 1) Wind: ASCE 7-16; Vult=130mph (3-second gust) Vasd=103mph; TCDL=5.0psf; BCDL=5.0psf; h=23ft; Cat. II; Exp B; Enclosed; MWFRS (envelope) gable end zone and C-C Exterior(2) zone; end vertical left exposed; porch left exposed; C-C for members and forces & MWFRS for reactions shown; Lumber DOL=1.60 plate grip DOL=1.60
 - 2) TCLL: ASCE 7-16; Pr=20.0 psf (roof LL: Lum DOL=1.15 Plate DOL=1.15); Pf=20.0 psf (Lum DOL=1.15 Plate DOL=1.15); Is=1.0; Rough Cat B; Partially Exp.; Ce=1.0; Cs=1.00; Ct=1.10
 - 3) Unbalanced snow loads have been considered for this design.
 - 4) This truss has been designed for greater of min roof live load of 12.0 psf or 2.00 times flat roof load of 20.0 psf on overhangs non-concurrent with other live loads.
 - 5) This truss has been designed for a 10.0 psf bottom chord live load nonconcurrent with any other live loads.
 - 6) * This truss has been designed for a live load of 30.0psf on the bottom chord in all areas where a rectangle 3-6-0 tall by 1-0-0 wide will fit between the bottom chord and any other members.
 - 7) Refer to girder(s) for truss to truss connections.
 - 8) Provide mechanical connection (by others) of truss to bearing plate capable of withstanding 67 lb uplift at joint 4 and 66 lb uplift at joint 5
 - 9) This truss is designed in accordance with the 2018 International Residential Code sections R502.11.1 and R802.10.2 and referenced standard ANSI/TPI 1.
 - 10) Graphical web bracing representation does not depict the size, type or the orientation of the brace on the web. Symbol only indicates that the member must be braced.
 - 11) Bearing symbols are only graphical representations of a possible bearing condition. Bearing symbols are not considered in the structural design of the truss to support the loads indicated.

LOAD CASE(S) Standard

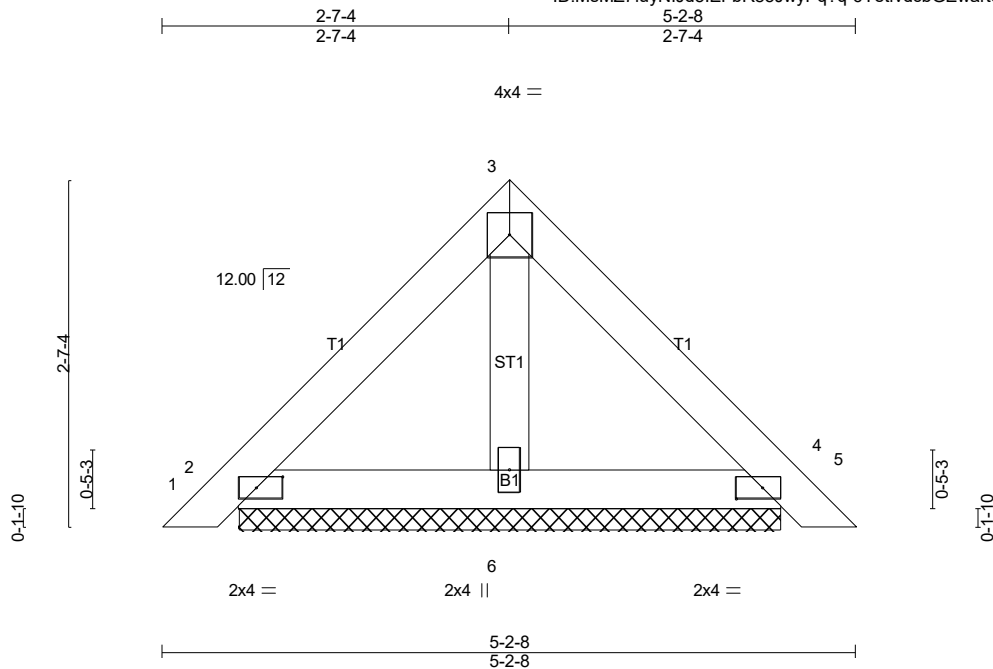


10/7/2020

Warning !—Verify design parameters and read notes before use. This design is based only upon parameters shown, and is for an individual building component to be installed and loaded vertically. Applicability of design parameters and proper incorporation of component is responsibility of building designer – not truss designer or truss engineer. Bracing shown is for lateral support of individual web members only. Additional temporary bracing to ensure stability during construction is the responsibility of the erector. Additional permanent bracing of the overall structure is the responsibility of the building designer. For general guidance regarding fabrication, quality control, storage, delivery, erection and bracing, consult ANSI/TPI 1 *National Design Standard for Metal Plate Connected Wood Truss Construction* and BCSI 1-03 *Guide to Good Practice for Handling, Installing & Bracing of Metal Plate Connected Wood Trusses* from Truss Plate Institute, 583 D'Onofrio Drive, Madison, WI 53719.

Job 20-4531-R01	Truss PB01	Truss Type Piggyback	Qty 9	Ply 1	LOT 1163 CARRIAGE CIRCLE 108 SPRUCE HOLLOW CIRCLE SPRING LAKE, NC	# 23872
--------------------	---------------	-------------------------	----------	----------	---	---------

8.330 s Mar 10 2020 MiTek Industries, Inc. Thu Oct 8 20:16:41 2020 Page 1
 ID:MsMZ7fuyNIJd5IEFbR85JwyPq?q-6YetfvdcBGEwarte7T9Cd1g5QxdyB5xHAXN_myVNqK



Scale = 1:17.3

Plate Offsets (X,Y)-- [2:0-2-6,0-1-0], [4:0-2-6,0-1-0]

LOADING (psf)	SPACING-	CSI.	DEFL.	in (loc)	l/defl	L/d	PLATES	GRIP
TCLL (roof) 20.0	2-0-0	TC 0.08	Vert(LL) 0.00	5	n/r	180	MT20	244/190
Snow (Pf) 20.0	Plate Grip DOL 1.15	BC 0.07	Vert(CT) 0.00	5	n/r	80		
TCDL 10.0	Lumber DOL 1.15	WB 0.02	Horz(CT) 0.00	4	n/a	n/a		
BCLL 0.0 *	Rep Stress Incr YES	Matrix-P						
BCDL 10.0	Code IRC2018/TPI2014						Weight: 20 lb	FT = 0%

LUMBER-
 TOP CHORD 2x4 SP No.2
 BOT CHORD 2x4 SP No.3
 OTHERS 2x4 SP No.3

BRACING-
 TOP CHORD Structural wood sheathing directly applied or 5-2-8 oc purlins.
 BOT CHORD Rigid ceiling directly applied or 10-0-0 oc bracing.

MiTek recommends that Stabilizers and required cross bracing be installed during truss erection, in accordance with Stabilizer Installation guide.

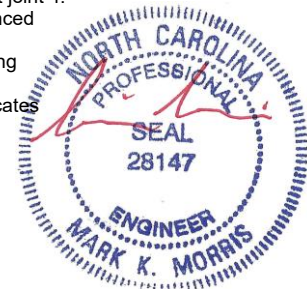
REACTIONS. (lb/size) 2=122/4-0-14 (min. 0-1-8), 4=122/4-0-14 (min. 0-1-8), 6=126/4-0-14 (min. 0-1-8)
 Max Horz 2=-55(LC 10)
 Max Uplift 2=-30(LC 13), 4=-35(LC 13)
 Max Grav 2=122(LC 1), 4=122(LC 1), 6=127(LC 5)

FORCES. (lb) - Max. Comp./Max. Ten. - All forces 250 (lb) or less except when shown.

NOTES- (11-12)

- Unbalanced roof live loads have been considered for this design.
- Wind: ASCE 7-16; Vult=130mph (3-second gust) Vasd=103mph; TCDL=5.0psf; BCDL=5.0psf; h=23ft; Cat. II; Exp B; Enclosed; MWFRS (envelope) gable end zone and C-C Exterior(2) zone; C-C for members and forces & MWFRS for reactions shown; Lumber DOL=1.60 plate grip DOL=1.60
- TCLL: ASCE 7-16; Pr=20.0 psf (roof LL: Lum DOL=1.15 Plate DOL=1.15); Pf=20.0 psf (Lum DOL=1.15 Plate DOL=1.15); Is=1.0; Rough Cat B; Partially Exp.; Ce=1.0; Cs=1.00; Ct=1.10
- This truss has been designed for greater of min roof live load of 12.0 psf or 2.00 times flat roof load of 20.0 psf on overhangs non-concurrent with other live loads.
- Gable requires continuous bottom chord bearing.
- This truss has been designed for a 10.0 psf bottom chord live load nonconcurrent with any other live loads.
- * This truss has been designed for a live load of 30.0psf on the bottom chord in all areas where a rectangle 3-6-0 tall by 1-0-0 wide will fit between the bottom chord and any other members.
- Provide mechanical connection (by others) of truss to bearing plate capable of withstanding 30 lb uplift at joint 2 and 35 lb uplift at joint 4.
- This truss is designed in accordance with the 2018 International Residential Code sections R502.11.1 and R802.10.2 and referenced standard ANSI/TPI 1.
- See Standard Industry Piggyback Truss Connection Detail for Connection to base truss as applicable, or consult qualified building designer.
- Graphical web bracing representation does not depict the size, type or the orientation of the brace on the web. Symbol only indicates that the member must be braced.
- Bearing symbols are only graphical representations of a possible bearing condition. Bearing symbols are not considered in the structural design of the truss to support the loads indicated.

LOAD CASE(S) Standard



10/7/2020

Warning !—Verify design parameters and read notes before use. This design is based only upon parameters shown, and is for an individual building component to be installed and loaded vertically. Applicability of design parameters and proper incorporation of component is responsibility of building designer – not truss designer or truss engineer. Bracing shown is for lateral support of individual web members only. Additional temporary bracing to ensure stability during construction is the responsibility of the erector. Additional permanent bracing of the overall structure is the responsibility of the building designer. For general guidance regarding fabrication, quality control, storage, delivery, erection and bracing, consult ANSI/TPI 1 *National Design Standard for Metal Plate Connected Wood Truss Construction* and BCSI 1-03 *Guide to Good Practice for Handling, Installing & Bracing of Metal Plate Connected Wood Trusses* from Truss Plate Institute, 583 D*Onofrio Drive, Madison, WI 53719.

Job 20-4531-R01	Truss PB02	Truss Type Piggyback	Qty 1	Ply 1	LOT 1163 CARRIAGE CIRCLE 108 SPRUCE HOLLOW CIRCLE SPRING LAKE, N	# 23872
--------------------	---------------	-------------------------	----------	----------	--	---------

ID:MsMZ7fuyNIJd5IEFbR85JwyPq?q-alBFsFdFMaMnC?SqhAhRAFDGALzZheL5WqhxWDyVnQj
8.330 s Mar 10 2020 MiTek Industries, Inc. Thu Oct 8 20:16:42 2020 Page 1

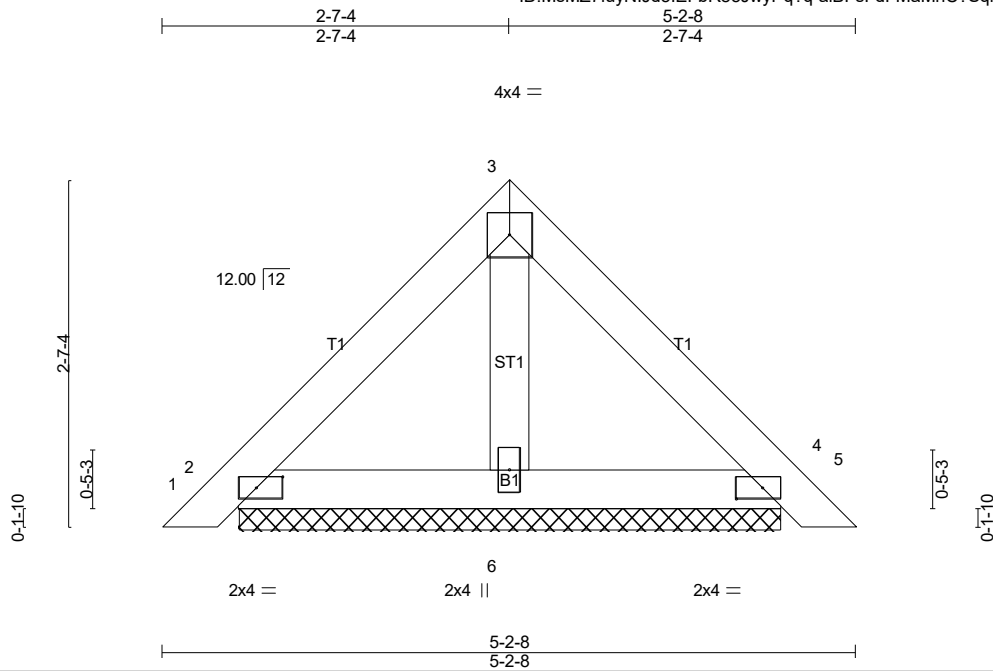


Plate Offsets (X,Y)-- [2:0-2-6,0-1-0], [4:0-2-6,0-1-0]					
LOADING (psf)	SPACING-	CSI.	DEFL.	PLATES	GRIP
TCLL (roof) 20.0	2-0-0	TC 0.08	in (loc) l/defl L/d	MT20	244/190
Snow (Pf) 20.0	Plate Grip DOL 1.15	BC 0.07	Vert(LL) 0.00 5 n/r 180		
TCDL 10.0	Lumber DOL 1.15	WB 0.02	Vert(CT) 0.00 5 n/r 80		
BCLL 0.0 *	Rep Stress Incr YES	Matrix-P	Horz(CT) 0.00 4 n/a n/a		
BCDL 10.0	Code IRC2018/TPI2014			Weight: 20 lb	FT = 0%

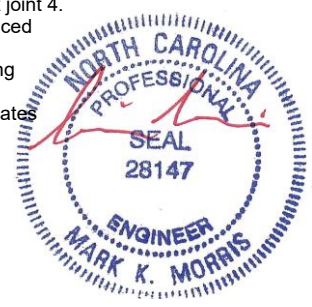
LUMBER-	BRACING-
TOP CHORD 2x4 SP No.2	TOP CHORD Structural wood sheathing directly applied or 5-2-8 oc purlins.
BOT CHORD 2x4 SP No.3	BOT CHORD Rigid ceiling directly applied or 10-0-0 oc bracing.
OTHERS 2x4 SP No.3	MiTek recommends that Stabilizers and required cross bracing be installed during truss erection, in accordance with Stabilizer Installation guide.

REACTIONS. (lb/size) 2=122/4-0-14 (min. 0-1-8), 4=122/4-0-14 (min. 0-1-8), 6=126/4-0-14 (min. 0-1-8)
 Max Horz 2=-55(LC 10)
 Max Uplift 2=-30(LC 13), 4=-35(LC 13)
 Max Grav 2=122(LC 1), 4=122(LC 1), 6=127(LC 5)

FORCES. (lb) - Max. Comp./Max. Ten. - All forces 250 (lb) or less except when shown.

- NOTES-** (11-12)
- Unbalanced roof live loads have been considered for this design.
 - Wind: ASCE 7-16; Vult=130mph (3-second gust) Vasd=103mph; TCDL=5.0psf; BCDL=5.0psf; h=23ft; Cat. II; Exp B; Enclosed; MWFRS (envelope) gable end zone and C-C Exterior(2) zone; C-C for members and forces & MWFRS for reactions shown; Lumber DOL=1.60 plate grip DOL=1.60
 - TCLL: ASCE 7-16; Pr=20.0 psf (roof LL: Lum DOL=1.15 Plate DOL=1.15); Pf=20.0 psf (Lum DOL=1.15 Plate DOL=1.15); Is=1.0; Rough Cat B; Partially Exp.; Ce=1.0; Cs=1.00; Ct=1.10
 - This truss has been designed for greater of min roof live load of 12.0 psf or 2.00 times flat roof load of 20.0 psf on overhangs non-concurrent with other live loads.
 - Gable requires continuous bottom chord bearing.
 - This truss has been designed for a 10.0 psf bottom chord live load nonconcurrent with any other live loads.
 - * This truss has been designed for a live load of 30.0psf on the bottom chord in all areas where a rectangle 3-6-0 tall by 1-0-0 wide will fit between the bottom chord and any other members.
 - Provide mechanical connection (by others) of truss to bearing plate capable of withstanding 30 lb uplift at joint 2 and 35 lb uplift at joint 4.
 - This truss is designed in accordance with the 2018 International Residential Code sections R502.11.1 and R802.10.2 and referenced standard ANSI/TPI 1.
 - See Standard Industry Piggyback Truss Connection Detail for Connection to base truss as applicable, or consult qualified building designer.
 - Graphical web bracing representation does not depict the size, type or the orientation of the brace on the web. Symbol only indicates that the member must be braced.
 - Bearing symbols are only graphical representations of a possible bearing condition. Bearing symbols are not considered in the structural design of the truss to support the loads indicated.

LOAD CASE(S) Standard

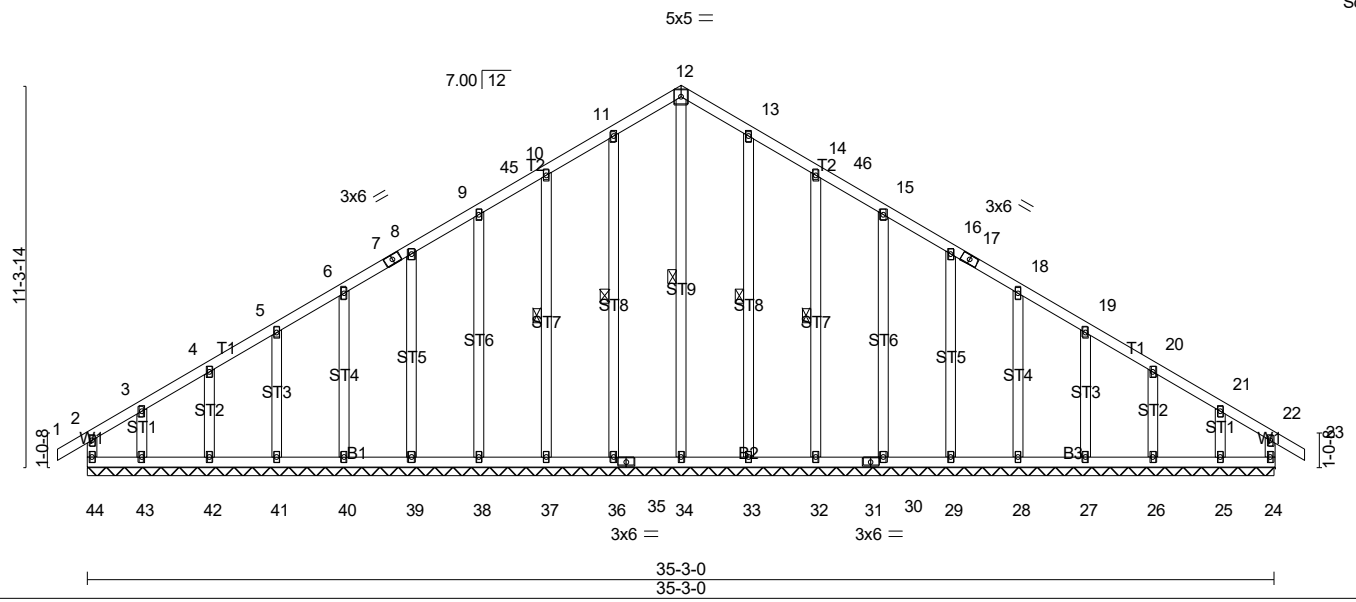


10/7/2020

Warning !—Verify design parameters and read notes before use. This design is based only upon parameters shown, and is for an individual building component to be installed and loaded vertically. Applicability of design parameters and proper incorporation of component is responsibility of building designer – not truss designer or truss engineer. Bracing shown is for lateral support of individual web members only. Additional temporary bracing to ensure stability during construction is the responsibility of the erector. Additional permanent bracing of the overall structure is the responsibility of the building designer. For general guidance regarding fabrication, quality control, storage, delivery, erection and bracing, consult ANSI/TPI 1 *National Design Standard for Metal Plate Connected Wood Truss Construction* and BCSI 1-03 *Guide to Good Practice for Handling, Installing & Bracing of Metal Plate Connected Wood Trusses* from Truss Plate Institute, 583 D*Onofrio Drive, Madison, WI 53719.



Scale = 1:68.4



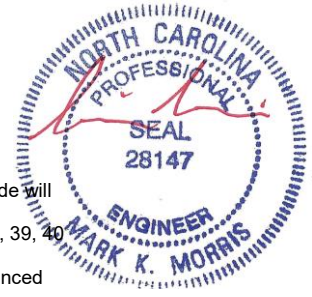
LOADING (psf)	SPACING-	CSI.	DEFL.	PLATES	GRIP
TCLL (roof) 20.0	Plate Grip DOL 1.15	TC 0.21	in (loc) l/defl L/d	MT20	244/190
Snow (Pf) 20.0	Lumber DOL 1.15	BC 0.10	Vert(LL) -0.00 23 n/r 180		
TCDL 10.0	Rep Stress Incr YES	WB 0.14	Vert(CT) -0.00 23 n/r 80		
BCLL 0.0 *	Code IRC2018/TPI2014	Matrix-R	Horz(CT) 0.01 24 n/a n/a		
BCDL 10.0				Weight: 266 lb	FT = 0%

LUMBER-	BRACING-
TOP CHORD 2x4 SP No.2	TOP CHORD Structural wood sheathing directly applied or 6-0-0 oc purlins, except end verticals.
BOT CHORD 2x4 SP No.2	BOT CHORD Rigid ceiling directly applied or 6-0-0 oc bracing.
WEBS 2x4 SP No.3	WEBS 1 Row at midpt 12-34, 11-36, 10-37, 13-33, 14-32
OTHERS 2x4 SP No.3	MiTek recommends that Stabilizers and required cross bracing be installed during truss erection, in accordance with Stabilizer Installation guide.

REACTIONS. All bearings 35-3-0.
 (lb) - Max Horz 44=-275(LC 12)
 Max Uplift All uplift 100 lb or less at joint(s) 24, 36, 37, 38, 39, 40, 41, 42, 33, 32, 30, 29, 28, 27, 26 except 44=-145(LC 10), 43=-158(LC 14), 25=-139(LC 15)
 Max Grav All reactions 250 lb or less at joint(s) 44, 24, 41, 42, 43, 27, 26, 25 except 34=319(LC 27), 36=296(LC 5), 37=273(LC 5), 38=256(LC 24), 39=254(LC 24), 40=261(LC 24), 33=296(LC 6), 32=273(LC 6), 30=256(LC 25), 29=254(LC 29), 28=262(LC 25)

FORCES. (lb) - Max. Comp./Max. Ten. - All forces 250 (lb) or less except when shown.
 TOP CHORD 10-11=-168/254, 11-12=-191/275, 12-13=-191/266

- NOTES-** (15-16)
- Unbalanced roof live loads have been considered for this design.
 - Wind: ASCE 7-16; Vult=130mph (3-second gust) Vasd=103mph; TCDL=5.0psf; BCDL=5.0psf; h=23ft; Cat. II; Exp B; Enclosed; MWFRS (envelope) gable end zone and C-C Exterior(2) zone; end vertical left and right exposed; C-C for members and forces & MWFRS for reactions shown; Lumber DOL=1.60 plate grip DOL=1.60
 - Truss designed for wind loads in the plane of the truss only. For studs exposed to wind (normal to the face), see Standard Industry Gable End Details as applicable, or consult qualified building designer as per ANSI/TPI 1.
 - TCLL: ASCE 7-16; Pr=20.0 psf (roof LL: Lum DOL=1.15 Plate DOL=1.15); Pf=20.0 psf (Lum DOL=1.15 Plate DOL=1.15); Is=1.0; Rough Cat B; Partially Exp.; Ce=1.0; Cs=1.00; Ct=1.10
 - Unbalanced snow loads have been considered for this design.
 - This truss has been designed for greater of min roof live load of 12.0 psf or 2.00 times flat roof load of 20.0 psf on overhangs non-concurrent with other live loads.
 - All plates are 2x4 MT20 unless otherwise indicated.
 - Gable requires continuous bottom chord bearing.
 - Truss to be fully sheathed from one face or securely braced against lateral movement (i.e. diagonal web).
 - Gable studs spaced at 2-0-0 oc.
 - This truss has been designed for a 10.0 psf bottom chord live load nonconcurrent with any other live loads.
 - * This truss has been designed for a live load of 30.0psf on the bottom chord in all areas where a rectangle 3-6-0 tall by 1-0-0 wide will fit between the bottom chord and any other members, with BCDL = 10.0psf.
 - Provide mechanical connection (by others) of truss to bearing plate capable of withstanding 100 lb uplift at joint(s) 24, 36, 37, 38, 39, 40, 41, 42, 33, 32, 30, 29, 28, 27, 26 except (jt=lb) 44=145, 43=158, 25=139.
 - This truss is designed in accordance with the 2018 International Residential Code sections R502.11.1 and R802.10.2 and referenced standard ANSI/TPI 1.



Continued on Page 2 Design parameters and read notes before use. This design is based only upon parameters shown, and is for an individual building component to be installed and loaded vertically. Applicability of design parameters and proper incorporation of component is responsibility of building designer – not truss designer or truss engineer. Bracing shown is for lateral support of individual web members only. Additional temporary bracing to ensure stability during construction is the responsibility of the erector. Additional permanent bracing of the overall structure is the responsibility of the building designer. For general guidance regarding fabrication, quality control, storage, delivery, erection and bracing, consult ANSI/TPI 1 National Design Standard for Metal Plate Connected Wood Truss Construction and BCSI 1-03 Guide to Good Practice for Handling, Installing & Bracing of Metal Plate Connected Wood Trusses from Truss Plate Institute, 583 D'Onofrio Drive, Madison, WI 53719.

Job	Truss	Truss Type	Qty	Ply	LOT 1163 CARRIAGE CIRCLE 108 SPRUCE HOLLOW CIRCLE SPRING LAKE, N
20-4531-R01	R01	GABLE	1	1	Job Reference (optional) # 23872

8.330 s Mar 10 2020 MiTek Industries, Inc. Thu Oct 8 20:16:44 2020 Page 2
 ID:MsMZ7fuyNIJd5IEFbR85JwyPq?q-W7J?HxfVuBcVRJbDpbjvFglaa8fx9WyOz8A2b5yVNqH

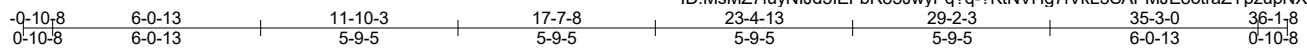
- 15) Graphical web bracing representation does not depict the size, type or the orientation of the brace on the web. Symbol only indicates that the member must be braced.
- 16) Bearing symbols are only graphical representations of a possible bearing condition. Bearing symbols are not considered in the structural design of the truss to support the loads indicated.

LOAD CASE(S) Standard



10/7/2020

Warning !—Verify design parameters and read notes before use. This design is based only upon parameters shown, and is for an individual building component to be installed and loaded vertically. Applicability of design parameters and proper incorporation of component is responsibility of building designer – not truss designer or truss engineer. Bracing shown is for lateral support of individual web members only. Additional temporary bracing to ensure stability during construction is the responsibility of the erector. Additional permanent bracing of the overall structure is the responsibility of the building designer. For general guidance regarding fabrication, quality control, storage, delivery, erection and bracing, consult ANSI/TPI 1 *National Design Standard for Metal Plate Connected Wood Truss Construction* and BCSI 1-03 *Guide to Good Practice for Handling, Installing & Bracing of Metal Plate Connected Wood Trusses* from Truss Plate Institute, 583 D*Onofrio Drive, Madison, WI 53719.



Scale = 1:67.3

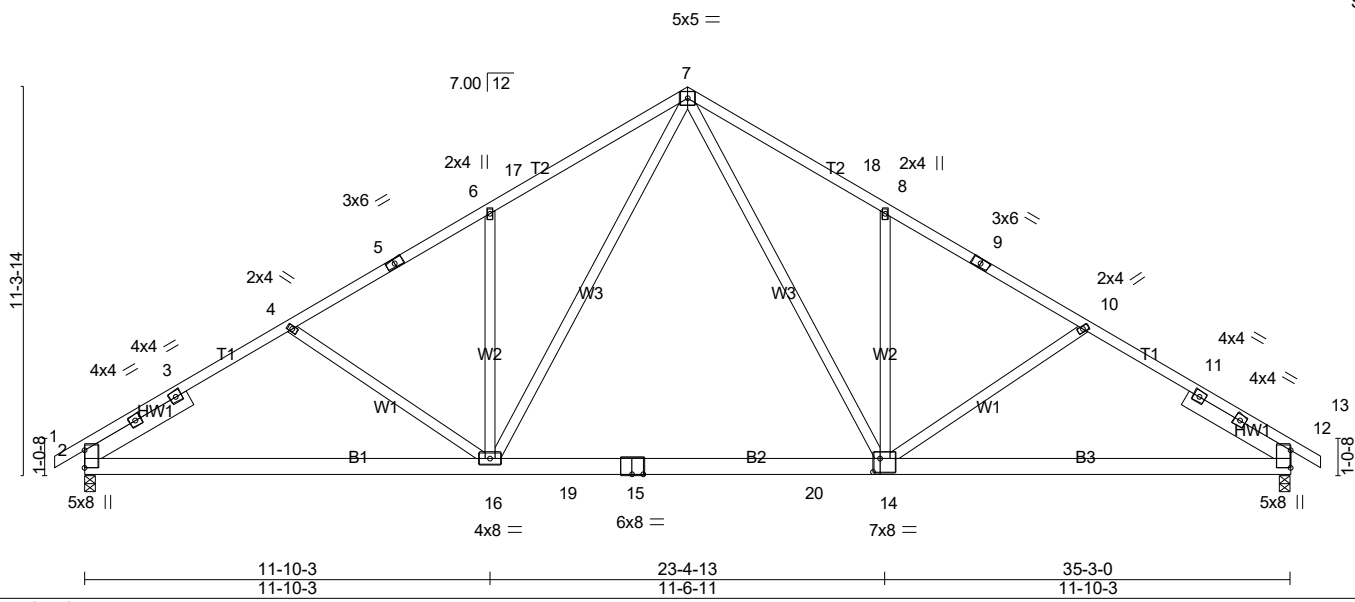


Plate Offsets (X,Y)-- [14:0-2-8,0-4-12]

LOADING (psf)	SPACING-	CSI.	DEFL.	in (loc)	l/defl	L/d	PLATES	GRIP
TCLL (roof) 20.0	2-0-0	TC 0.90	Vert(LL) -0.41	14-16	>999	240	MT20	244/190
Snow (Pf) 20.0	Plate Grip DOL 1.15	BC 0.89	Vert(CT) -0.56	14-16	>756	180		
TCDL 10.0	Lumber DOL 1.15	WB 0.76	Horz(CT) 0.06	12	n/a	n/a		
BCLL 0.0 *	Rep Stress Incr YES	Matrix-SH						
BCDL 10.0	Code IRC2018/TPI2014							
							Weight: 241 lb	FT = 0%

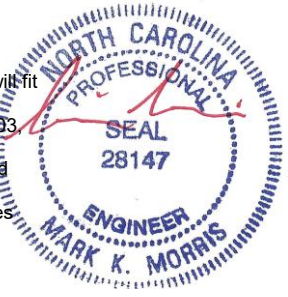
LUMBER-
 TOP CHORD 2x4 SP No.2
 BOT CHORD 2x6 SP No.2
 WEBS 2x4 SP No.3
 SLIDER Left 2x6 SP No.2 -, 3-6-11, Right 2x6 SP No.2 -, 3-6-11

BRACING-
 TOP CHORD Structural wood sheathing directly applied or 2-2-0 oc purlins.
 BOT CHORD Rigid ceiling directly applied or 10-0-0 oc bracing.
 MiTek recommends that Stabilizers and required cross bracing be installed during truss erection, in accordance with Stabilizer Installation guide.

REACTIONS. (lb/size) 2=1463/0-3-8 (min. 0-1-13), 12=1463/0-3-8 (min. 0-1-13)
 Max Horz 2=-250(LC 10)
 Max Uplift 2=-203(LC 14), 12=-203(LC 15)
 Max Grav 2=1510(LC 24), 12=1510(LC 25)

FORCES. (lb) - Max. Comp./Max. Ten. - All forces 250 (lb) or less except when shown.
 TOP CHORD 2-3=-2218/279, 3-4=-2130/309, 4-5=-1978/246, 5-6=-1899/262, 6-17=-2043/388, 7-17=-1960/414, 7-18=-1960/414, 8-18=-2043/388, 8-9=-1899/262, 9-10=-1978/246, 10-11=-2131/309, 11-12=-2218/280
 BOT CHORD 2-16=-329/1935, 16-19=-56/1288, 15-19=-56/1288, 15-20=-56/1288, 14-20=-56/1288, 12-14=-162/1750
 WEBS 7-14=-263/1068, 8-14=-490/245, 7-16=-263/1068, 6-16=-490/245

- NOTES-** (10-11)
- Unbalanced roof live loads have been considered for this design.
 - Wind: ASCE 7-16; Vult=130mph (3-second gust) Vasd=103mph; TCCL=5.0psf; BCDL=5.0psf; h=23ft; Cat. II; Exp B; Enclosed; MWFRS (envelope) gable end zone and C-C Exterior(2) zone; C-C for members and forces & MWFRS for reactions shown; Lumber DOL=1.60 plate grip DOL=1.60
 - TCCL: ASCE 7-16; Pr=20.0 psf (roof LL: Lum DOL=1.15 Plate DOL=1.15); Pf=20.0 psf (Lum DOL=1.15 Plate DOL=1.15); Is=1.0; Rough Cat B; Partially Exp.; Ce=1.0; Cs=1.00; Ct=1.10
 - Unbalanced snow loads have been considered for this design.
 - This truss has been designed for greater of min roof live load of 12.0 psf or 2.00 times flat roof load of 20.0 psf on overhangs non-concurrent with other live loads.
 - This truss has been designed for a 10.0 psf bottom chord live load nonconcurrent with any other live loads.
 - * This truss has been designed for a live load of 30.0psf on the bottom chord in all areas where a rectangle 3-6-0 tall by 1-0-0 wide will fit between the bottom chord and any other members, with BCDL = 10.0psf.
 - Provide mechanical connection (by others) of truss to bearing plate capable of withstanding 100 lb uplift at joint(s) except (jt=lb) 2=203, 12=203.
 - This truss is designed in accordance with the 2018 International Residential Code sections R502.11.1 and R802.10.2 and referenced standard ANSI/TPI 1.
 - Graphical web bracing representation does not depict the size, type or the orientation of the brace on the web. Symbol only indicates that the member must be braced.
 - Bearing symbols are only graphical representations of a possible bearing condition. Bearing symbols are not considered in the structural design of the truss to support the loads indicated.



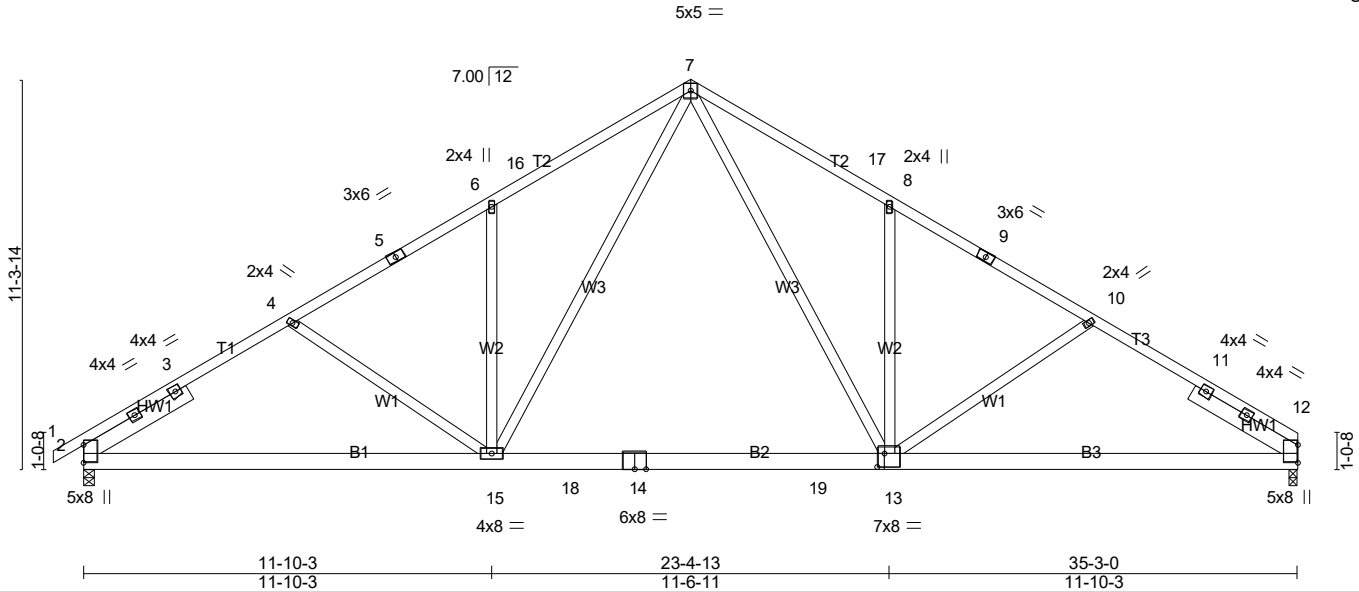
10/7/2020

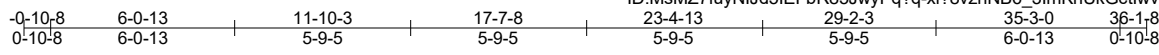
LOAD CASE(S) Standard

Warning !—Verify design parameters and read notes before use. This design is based only upon parameters shown, and is for an individual building component to be installed and loaded vertically. Applicability of design parameters and proper incorporation of component is responsibility of building designer – not truss designer or truss engineer. Bracing shown is for lateral support of individual web members only. Additional temporary bracing to ensure stability during construction is the responsibility of the erector. Additional permanent bracing of the overall structure is the responsibility of the building designer. For general guidance regarding fabrication, quality control, storage, delivery, erection and bracing, consult ANSI/TPI 1 *National Design Standard for Metal Plate Connected Wood Truss Construction* and BCSI 1-03 *Guide to Good Practice for Handling, Installing & Bracing of Metal Plate Connected Wood Trusses* from Truss Plate Institute, 583 D'Onofrio Drive, Madison, WI 53719.

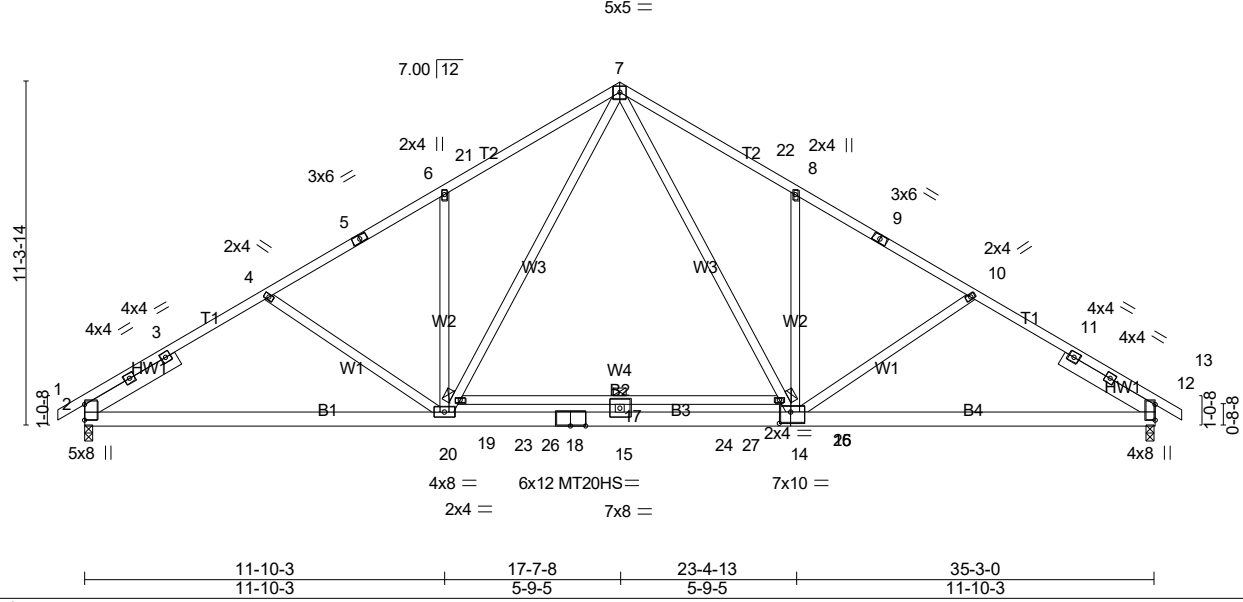


Scale = 1:66.9





Scale = 1:75.9



LOADING (psf)		SPACING-		CSI.		DEFL.				PLATES		GRIP			
TCLL (roof)	20.0	Plate Grip DOL	1.15	TC	0.99	Vert(LL)	-0.58	in (loc)	17	l/defl	>730	L/d	240	MT20	244/190
Snow (Pf)	20.0	Lumber DOL	1.15	BC	0.95	Vert(CT)	-0.83		17		>512		180	MT20HS	187/143
TCDL	10.0	Rep Stress Incr	YES	WB	0.57	Horz(CT)	0.06		12	n/a	n/a				
BCLL	0.0 *	Code IRC2018/TPI2014		Matrix-SH											
BCDL	10.0														
Weight: 257 lb FT = 0%															

LUMBER-
TOP CHORD 2x4 SP No.2 *Except*
 T1: 2x4 SP No.1
BOT CHORD 2x4 SP No.2 *Except*
 B1: 2x6 SP No.1, B3: 2x6 SP DSS, B4: 2x6 SP No.2
WEBS 2x4 SP No.3
SLIDER Left 2x6 SP No.2 -, 3-6-11, Right 2x6 SP No.2 -, 3-6-11

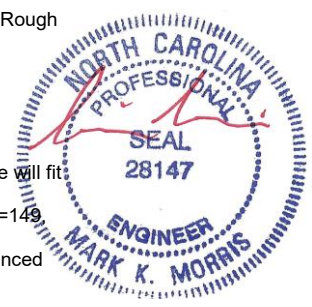
BRACING-
TOP CHORD Structural wood sheathing directly applied.
BOT CHORD Rigid ceiling directly applied or 2-2-0 oc bracing. Except: 6-0-0 oc bracing: 16-19

MiTek recommends that Stabilizers and required cross bracing be installed during truss erection, in accordance with Stabilizer Installation guide.

REACTIONS. (lb/size) 2=1571/0-3-8 (min. 0-2-1), 12=1571/0-3-8 (min. 0-2-1)
 Max Horz 2=-250(LC 10)
 Max Uplift 2=-149(LC 14), 12=-149(LC 15)
 Max Grav 2=1754(LC 24), 12=1754(LC 25)

FORCES. (lb) - Max. Comp./Max. Ten. - All forces 250 (lb) or less except when shown.
TOP CHORD 2-3=-2667/180, 3-4=-2578/210, 4-5=-2436/141, 5-6=-2372/157, 6-21=-2520/282, 7-21=-2437/308, 7-22=-2431/308, 8-22=-2514/282, 8-9=-2366/157, 9-10=-2430/141, 10-11=-2573/211, 11-12=-2662/181
BOT CHORD 2-20=-249/2299, 20-23=0/1567, 18-23=0/1567, 15-18=0/1567, 15-24=0/1567, 24-25=0/1567, 14-25=0/1567, 12-14=-82/2109
WEBS 7-16=-202/1332, 14-16=-231/1241, 8-14=-493/241, 19-20=-232/1252, 7-19=-202/1342, 6-20=-493/242, 15-17=-365/0

- NOTES-** (11-12)
- 1) Unbalanced roof live loads have been considered for this design.
 - 2) Wind: ASCE 7-16; Vult=130mph (3-second gust) Vasd=103mph; TCCL=5.0psf; BCDL=5.0psf; h=23ft; Cat. II; Exp B; Enclosed; MWFRS (envelope) gable end zone and C-C Exterior(2) zone; C-C for members and forces & MWFRS for reactions shown; Lumber DOL=1.60 plate grip DOL=1.60
 - 3) TCLL: ASCE 7-16; Pr=20.0 psf (roof LL: Lum DOL=1.15 Plate DOL=1.15); Pf=20.0 psf (Lum DOL=1.15 Plate DOL=1.15); Is=1.0; Rough Cat B; Partially Exp.; Ce=1.0; Cs=1.00; Ct=1.10
 - 4) Unbalanced snow loads have been considered for this design.
 - 5) This truss has been designed for greater of min roof live load of 12.0 psf or 2.00 times flat roof load of 20.0 psf on overhangs non-concurrent with other live loads.
 - 6) All plates are MT20 plates unless otherwise indicated.
 - 7) This truss has been designed for a 10.0 psf bottom chord live load nonconcurrent with any other live loads.
 - 8) * This truss has been designed for a live load of 30.0psf on the bottom chord in all areas where a rectangle 3-6-0 tall by 1-0-0 wide will fit between the bottom chord and any other members, with BCDL = 10.0psf.
 - 9) Provide mechanical connection (by others) of truss to bearing plate capable of withstanding 100 lb uplift at joint(s) except (jt=lb) 2=149 12=149.
 - 10) This truss is designed in accordance with the 2018 International Residential Code sections R502.11.1 and R802.10.2 and referenced standard ANSI/TPI 1.



10/7/2020

Continued on Page 2 Design parameters and read notes before use. This design is based only upon parameters shown, and is for an individual building component to be installed and loaded vertically. Applicability of design parameters and proper incorporation of component is responsibility of building designer – not truss designer or truss engineer. Bracing shown is for lateral support of individual web members only. Additional temporary bracing to ensure stability during construction is the responsibility of the erector. Additional permanent bracing of the overall structure is the responsibility of the building designer. For general guidance regarding fabrication, quality control, storage, delivery, erection and bracing, consult ANSI/TPI 1 *National Design Standard for Metal Plate Connected Wood Truss Construction* and BCSI 1-03 *Guide to Good Practice for Handling, Installing & Bracing of Metal Plate Connected Wood Trusses* from Truss Plate Institute, 583 D'Onofrio Drive, Madison, WI 53719.

Job 20-4531-R01	Truss R03A	Truss Type Common	Qty 1	Ply 1	LOT 1163 CARRIAGE CIRCLE 108 SPRUCE HOLLOW CIRCLE SPRING LAKE, N Job Reference (optional) # 23872
--------------------	---------------	----------------------	----------	----------	--

8.330 s Mar 10 2020 MiTek Industries, Inc. Thu Oct 8 20:16:48 2020 Page 2
ID:MsMZ7fuyNIJd5IEFbR85JwyPq?q-PvZW7li?yQ6wwwv_2RnrPWT4Impj5DDzum8FktyVNqD

- 11) Graphical web bracing representation does not depict the size, type or the orientation of the brace on the web. Symbol only indicates that the member must be braced.
- 12) Bearing symbols are only graphical representations of a possible bearing condition. Bearing symbols are not considered in the structural design of the truss to support the loads indicated.

LOAD CASE(S) Standard



10/7/2020

Warning !—Verify design parameters and read notes before use. This design is based only upon parameters shown, and is for an individual building component to be installed and loaded vertically. Applicability of design parameters and proper incorporation of component is responsibility of building designer – not truss designer or truss engineer. Bracing shown is for lateral support of individual web members only. Additional temporary bracing to ensure stability during construction is the responsibility of the erector. Additional permanent bracing of the overall structure is the responsibility of the building designer. For general guidance regarding fabrication, quality control, storage, delivery, erection and bracing, consult ANSI/TPI 1 *National Design Standard for Metal Plate Connected Wood Truss Construction* and BCSI 1-03 *Guide to Good Practice for Handling, Installing & Bracing of Metal Plate Connected Wood Trusses* from Truss Plate Institute, 583 D'Onofrio Drive, Madison, WI 53719.

Job 20-4531-R01	Truss R04	Truss Type COMMON	Qty 5	Ply 1	LOT 1163 CARRIAGE CIRCLE 108 SPRUCE HOLLOW CIRCLE SPRING LAKE, N.C.	Job Reference (optional) # 23872
--------------------	--------------	----------------------	----------	----------	---	--

8.330 s Mar 10 2020 MiTek Industries, Inc. Thu Oct 8 20:16:49 2020 Page 1
 ID:MsMZ7fuyNIJd5IEFbR85JwyPq?q-156uKejejiEnY4UAb8J4yj?F499xqgT77PupGjYvNqC



Scale = 1:75.1

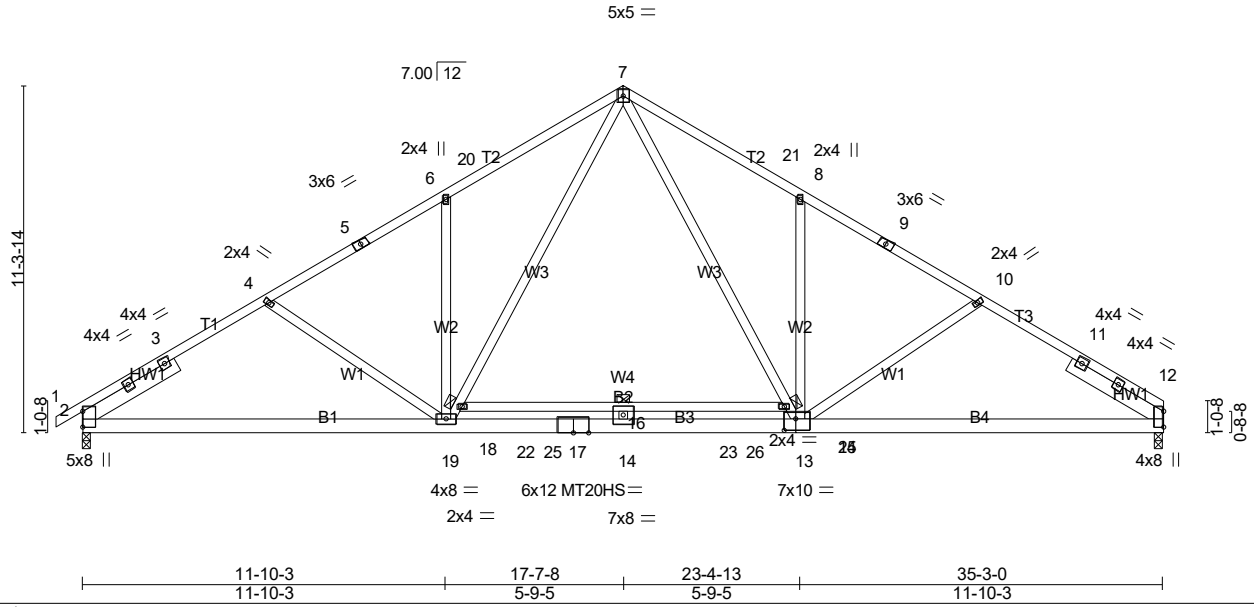


Plate Offsets (X,Y)-- [13:0-4-8,0-4-8]

LOADING (psf)	SPACING-	CSI.	DEFL.	in (loc)	l/defl	L/d	PLATES	GRIP
TCLL (roof) 20.0	2-0-0	TC 0.99	Vert(LL) -0.58	16	>730	240	MT20	244/190
Snow (Pf) 20.0	Plate Grip DOL 1.15	BC 0.95	Vert(CT) -0.83	16	>512	180	MT20HS	187/143
TCDL 10.0	Lumber DOL 1.15	WB 0.57	Horz(CT) 0.06	12	n/a	n/a		
BCLL 0.0 *	Rep Stress Incr YES	Matrix-SH						
BCDL 10.0	Code IRC2018/TPI2014							
							Weight: 255 lb	FT = 0%

LUMBER-
 TOP CHORD 2x4 SP No.2 *Except*
 T1,T3: 2x4 SP No.1
 BOT CHORD 2x4 SP No.2 *Except*
 B1: 2x6 SP No.1, B3: 2x6 SP DSS, B4: 2x6 SP No.2
 WEBS 2x4 SP No.3
 SLIDER Left 2x6 SP No.2 -, 3-6-11, Right 2x6 SP No.2 -, 3-6-11

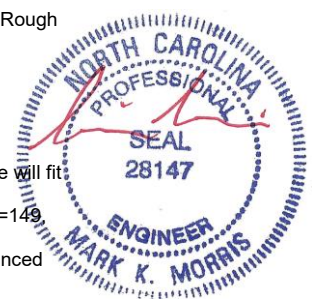
BRACING-
 TOP CHORD Structural wood sheathing directly applied.
 BOT CHORD Rigid ceiling directly applied or 2-2-0 oc bracing. Except: 6-0-0 oc bracing: 15-18

MiTek recommends that Stabilizers and required cross bracing be installed during truss erection, in accordance with Stabilizer Installation guide.

REACTIONS. (lb/size) 2=1572/0-3-8 (min. 0-2-1), 12=1518/0-3-8 (min. 0-2-0)
 Max Horz 2=-252(LC 10)
 Max Uplift 2=-149(LC 14), 12=-130(LC 15)
 Max Grav 2=1755(LC 24), 12=1705(LC 25)

FORCES. (lb) - Max. Comp./Max. Ten. - All forces 250 (lb) or less except when shown.
 TOP CHORD 2-3=-2668/180, 3-4=-2579/210, 4-5=-2436/141, 5-6=-2372/157, 6-20=-2520/282,
 7-20=-2437/308, 7-21=-2433/309, 8-21=-2517/283, 8-9=-2369/158, 9-10=-2433/143,
 10-11=-2577/212, 11-12=-2666/182
 BOT CHORD 2-19=-247/2301, 19-22=0/1570, 17-22=0/1570, 14-17=0/1570, 14-23=0/1570, 23-24=0/1570,
 13-24=0/1570, 12-13=-80/2113
 WEBS 7-15=-203/1334, 13-15=-232/1243, 8-13=-492/241, 18-19=-232/1252, 7-18=-202/1342,
 6-19=-493/242, 14-16=-365/0

- NOTES-** (11-12)
- Unbalanced roof live loads have been considered for this design.
 - Wind: ASCE 7-16; Vult=130mph (3-second gust) Vasd=103mph; TCCL=5.0psf; BCDL=5.0psf; h=23ft; Cat. II; Exp B; Enclosed; MWFRS (envelope) gable end zone and C-C Exterior(2) zone; C-C for members and forces & MWFRS for reactions shown; Lumber DOL=1.60 plate grip DOL=1.60
 - TCLL: ASCE 7-16; Pr=20.0 psf (roof LL: Lum DOL=1.15 Plate DOL=1.15); Pf=20.0 psf (Lum DOL=1.15 Plate DOL=1.15); Is=1.0; Rough Cat B; Partially Exp.; Ce=1.0; Cs=1.00; Ct=1.10
 - Unbalanced snow loads have been considered for this design.
 - This truss has been designed for greater of min roof live load of 12.0 psf or 2.00 times flat roof load of 20.0 psf on overhangs non-concurrent with other live loads.
 - All plates are MT20 plates unless otherwise indicated.
 - This truss has been designed for a 10.0 psf bottom chord live load nonconcurrent with any other live loads.
 - * This truss has been designed for a live load of 30.0psf on the bottom chord in all areas where a rectangle 3-6-0 tall by 1-0-0 wide will fit between the bottom chord and any other members, with BCDL = 10.0psf.
 - Provide mechanical connection (by others) of truss to bearing plate capable of withstanding 100 lb uplift at joint(s) except (jt=lb) 2=149 12=130.
 - This truss is designed in accordance with the 2018 International Residential Code sections R502.11.1 and R802.10.2 and referenced standard ANSI/TPI 1.



10/7/2020

Continued on page 2
 Design parameters and read notes before use. This design is based only upon parameters shown, and is for an individual building component to be installed and loaded vertically. Applicability of design parameters and proper incorporation of component is responsibility of building designer – not truss designer or truss engineer. Bracing shown is for lateral support of individual web members only. Additional temporary bracing to ensure stability during construction is the responsibility of the erector. Additional permanent bracing of the overall structure is the responsibility of the building designer. For general guidance regarding fabrication, quality control, storage, delivery, erection and bracing, consult ANSI/TPI 1 National Design Standard for Metal Plate Connected Wood Truss Construction and BCSI 1-03 Guide to Good Practice for Handling, Installing & Bracing of Metal Plate Connected Wood Trusses from Truss Plate Institute, 583 D'Onofrio Drive, Madison, WI 53719.

Job	Truss	Truss Type	Qty	Ply	LOT 1163 CARRIAGE CIRCLE 108 SPRUCE HOLLOW CIRCLE SPRING LAKE, N
20-4531-R01	R04	COMMON	5	1	Job Reference (optional) # 23872

8.330 s Mar 10 2020 MiTek Industries, Inc. Thu Oct 8 20:16:49 2020 Page 2
 ID:MsMZ7fuyNIJd5IEFbR85JwyPq?q-t56uKejejEnY4UAb8J4yj?F499xqgT77PupGJyVNqC

- 11) Graphical web bracing representation does not depict the size, type or the orientation of the brace on the web. Symbol only indicates that the member must be braced.
- 12) Bearing symbols are only graphical representations of a possible bearing condition. Bearing symbols are not considered in the structural design of the truss to support the loads indicated.

LOAD CASE(S) Standard

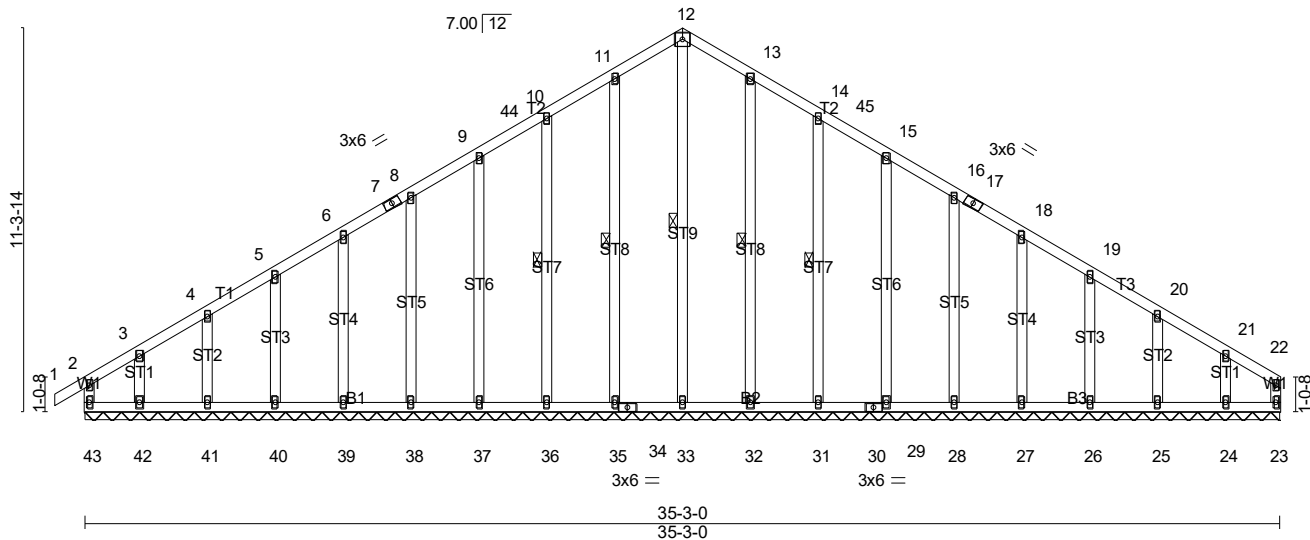


10/7/2020

Warning !—Verify design parameters and read notes before use. This design is based only upon parameters shown, and is for an individual building component to be installed and loaded vertically. Applicability of design parameters and proper incorporation of component is responsibility of building designer – not truss designer or truss engineer. Bracing shown is for lateral support of individual web members only. Additional temporary bracing to ensure stability during construction is the responsibility of the erector. Additional permanent bracing of the overall structure is the responsibility of the building designer. For general guidance regarding fabrication, quality control, storage, delivery, erection and bracing, consult ANSI/TPI 1 *National Design Standard for Metal Plate Connected Wood Truss Construction* and BCSI 1-03 *Guide to Good Practice for Handling, Installing & Bracing of Metal Plate Connected Wood Trusses* from Truss Plate Institute, 583 D*Onofrio Drive, Madison, WI 53719.



Scale = 1:67.9



LOADING (psf)	SPACING-	CSI.	DEFL.	PLATES	GRIP
TCLL (roof) 20.0	Plate Grip DOL 1.15	TC 0.20	in (loc) l/def L/d	MT20	244/190
Snow (Pf) 20.0	Lumber DOL 1.15	BC 0.10	Vert(LL) -0.00 1 n/r 180		
TCDL 10.0	Rep Stress Incr YES	WB 0.14	Vert(CT) -0.00 1 n/r 80		
BCLL 0.0 *	Code IRC2018/TPI2014	Matrix-R	Horz(CT) 0.01 23 n/a n/a		
BCDL 10.0				Weight: 264 lb	FT = 0%

LUMBER-
 TOP CHORD 2x4 SP No.2
 BOT CHORD 2x4 SP No.2
 WEBS 2x4 SP No.3
 OTHERS 2x4 SP No.3

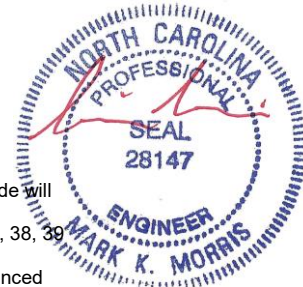
BRACING-
 TOP CHORD Structural wood sheathing directly applied or 6-0-0 oc purlins, except end verticals.
 BOT CHORD Rigid ceiling directly applied or 6-0-0 oc bracing.
 WEBS 1 Row at midpt 12-33, 11-35, 10-36, 13-32, 14-31

MiTek recommends that Stabilizers and required cross bracing be installed during truss erection, in accordance with Stabilizer Installation guide.

REACTIONS. All bearings 35-3-0.
 (lb) - Max Horz 43=243(LC 13)
 Max Uplift All uplift 100 lb or less at joint(s) 23, 35, 36, 37, 38, 39, 40, 41, 32, 31, 29, 28, 27, 26, 25 except 43=-140(LC 10), 42=-167(LC 14), 24=-142(LC 15)
 Max Grav All reactions 250 lb or less at joint(s) 43, 23, 40, 41, 42, 26, 25, 24 except 33=319(LC 27), 35=296(LC 5), 36=273(LC 5), 37=256(LC 24), 38=254(LC 24), 39=261(LC 24), 32=296(LC 6), 31=273(LC 6), 29=256(LC 25), 28=254(LC 25), 27=261(LC 25)

FORCES. (lb) - Max. Comp./Max. Ten. - All forces 250 (lb) or less except when shown.
 TOP CHORD 10-11=-164/257, 11-12=-187/278, 12-13=-187/269

- NOTES-** (15-16)
- Unbalanced roof live loads have been considered for this design.
 - Wind: ASCE 7-16; Vult=130mph (3-second gust) Vasd=103mph; TCDL=5.0psf; BCDL=5.0psf; h=23ft; Cat. II; Exp B; Enclosed; MWFRS (envelope) gable end zone and C-C Exterior(2) zone; C-C for members and forces & MWFRS for reactions shown; Lumber DOL=1.60 plate grip DOL=1.60
 - Truss designed for wind loads in the plane of the truss only. For studs exposed to wind (normal to the face), see Standard Industry Gable End Details as applicable, or consult qualified building designer as per ANSI/TPI 1.
 - TCLL: ASCE 7-16; Pr=20.0 psf (roof LL: Lum DOL=1.15 Plate DOL=1.15); Pf=20.0 psf (Lum DOL=1.15 Plate DOL=1.15); Is=1.0; Rough Cat B; Partially Exp.; Ce=1.0; Cs=1.00; Ct=1.10
 - Unbalanced snow loads have been considered for this design.
 - This truss has been designed for greater of min roof live load of 12.0 psf or 2.00 times flat roof load of 20.0 psf on overhangs non-concurrent with other live loads.
 - All plates are 2x4 MT20 unless otherwise indicated.
 - Gable requires continuous bottom chord bearing.
 - Truss to be fully sheathed from one face or securely braced against lateral movement (i.e. diagonal web).
 - Gable studs spaced at 2-0-0 oc.
 - This truss has been designed for a 10.0 psf bottom chord live load nonconcurrent with any other live loads.
 - * This truss has been designed for a live load of 30.0psf on the bottom chord in all areas where a rectangle 3-6-0 tall by 1-0-0 wide will fit between the bottom chord and any other members, with BCDL = 10.0psf.
 - Provide mechanical connection (by others) of truss to bearing plate capable of withstanding 100 lb uplift at joint(s) 23, 35, 36, 37, 38, 39, 40, 41, 32, 31, 29, 28, 27, 26, 25 except (jt=lb) 43=140, 42=167, 24=142.
 - This truss is designed in accordance with the 2018 International Residential Code sections R502.11.1 and R802.10.2 and referenced standard ANSI/TPI 1.



10/7/2020

Continued on Page 2 Design parameters and read notes before use. This design is based only upon parameters shown, and is for an individual building component to be installed and loaded vertically. Applicability of design parameters and proper incorporation of component is responsibility of building designer – not truss designer or truss engineer. Bracing shown is for lateral support of individual web members only. Additional temporary bracing to ensure stability during construction is the responsibility of the erector. Additional permanent bracing of the overall structure is the responsibility of the building designer. For general guidance regarding fabrication, quality control, storage, delivery, erection and bracing, consult ANSI/TPI 1 National Design Standard for Metal Plate Connected Wood Truss Construction and BCSI 1-03 Guide to Good Practice for Handling, Installing & Bracing of Metal Plate Connected Wood Trusses from Truss Plate Institute, 583 D'Onofrio Drive, Madison, WI 53719.

Job	Truss	Truss Type	Qty	Ply	LOT 1163 CARRIAGE CIRCLE 108 SPRUCE HOLLOW CIRCLE SPRING LAKE, N
20-4531-R01	R05	GABLE	1	1	Job Reference (optional) # 23872

8.330 s Mar 10 2020 MiTek Industries, Inc. Thu Oct 8 20:16:51 2020 Page 2
 ID:MsMZ7fuyNIJd5IEFbR85JwyPq?q-pTEfKkuELUVnNeZjZLY185myz2glghQajNvLByVNqA

- 15) Graphical web bracing representation does not depict the size, type or the orientation of the brace on the web. Symbol only indicates that the member must be braced.
- 16) Bearing symbols are only graphical representations of a possible bearing condition. Bearing symbols are not considered in the structural design of the truss to support the loads indicated.

LOAD CASE(S) Standard

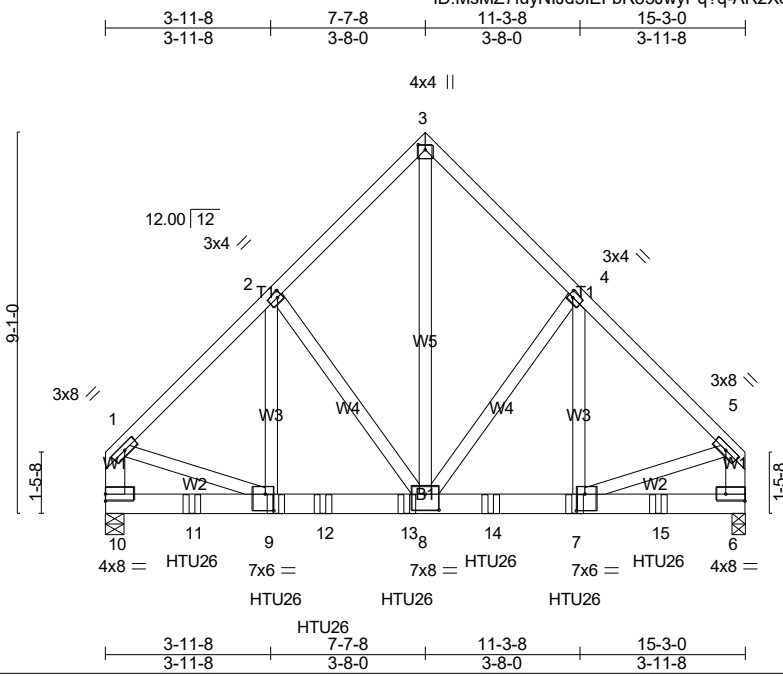


10/7/2020

Warning !—Verify design parameters and read notes before use. This design is based only upon parameters shown, and is for an individual building component to be installed and loaded vertically. Applicability of design parameters and proper incorporation of component is responsibility of building designer – not truss designer or truss engineer. Bracing shown is for lateral support of individual web members only. Additional temporary bracing to ensure stability during construction is the responsibility of the erector. Additional permanent bracing of the overall structure is the responsibility of the building designer. For general guidance regarding fabrication, quality control, storage, delivery, erection and bracing, consult ANSI/TPI 1 *National Design Standard for Metal Plate Connected Wood Truss Construction* and BCSI 1-03 *Guide to Good Practice for Handling, Installing & Bracing of Metal Plate Connected Wood Trusses* from Truss Plate Institute, 583 D*Onofrio Drive, Madison, WI 53719.

Job 20-4531-R01	Truss R06	Truss Type Common Girder	Qty 1	Ply 2	LOT 1163 CARRIAGE CIRCLE 108 SPRUCE HOLLOW CIRCLE SPRING LAKE, NC	# 23872
--------------------	--------------	-----------------------------	----------	----------	---	---------

8:330 s Mar 10 2020 MiTek Industries, Inc. Thu Oct 8 20:16:56 2020 Page 1
 ID:MsMZ7fuyNIJd5IEFbR85JwyPq?q-AR2Xo2o13t7ou9WWW6xjkCoc7_Zlzn9k?4g0PyVNq5



Scale = 1:54.9

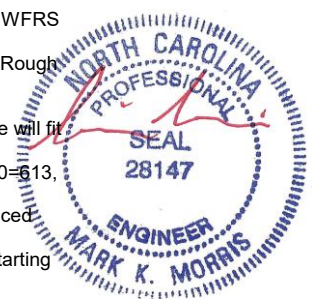
Plate Offsets (X,Y)-- [2:0-1-4,0-1-8], [3:0-1-8,0-2-0], [4:0-1-4,0-1-8], [6:Edge,0-2-0], [7:0-2-8,0-4-12], [8:0-4-0,0-4-8], [9:0-2-8,0-4-12]					
LOADING (psf)	SPACING-	CSI.	DEFL.	PLATES	GRIP
TCLL (roof) 20.0	2-0-0	TC 0.30	in (loc) l/defl L/d	MT20	244/190
Snow (Pf) 20.0	Plate Grip DOL 1.15	BC 0.84	Vert(LL) -0.06 8-9 >999 240		
TCDL 10.0	Lumber DOL 1.15	WB 0.78	Vert(CT) -0.11 8-9 >999 180		
BCLL 0.0 *	Rep Stress Incr NO	Matrix-SH	Horz(CT) 0.02 6 n/a n/a		
BCDL 10.0	Code IRC2018/TPI2014			Weight: 255 lb	FT = 0%

LUMBER-	BRACING-
TOP CHORD 2x4 SP No.2	TOP CHORD Structural wood sheathing directly applied or 5-1-1 oc purlins, except end verticals.
BOT CHORD 2x6 SP No.2	BOT CHORD Rigid ceiling directly applied or 10-0-0 oc bracing.
WEBS 2x4 SP No.3 *Except*	
W5: 2x4 SP No.2, W1: 2x6 SP No.2	

REACTIONS. (lb/size) 10=5883/0-5-8 (min. 0-3-10), 6=5459/0-3-8 (min. 0-3-4)
 Max Horz 10=212(LC 7)
 Max Uplift 10=-613(LC 11), 6=-667(LC 10)
 Max Grav 10=6140(LC 3), 6=5497(LC 3)

FORCES. (lb) - Max. Comp./Max. Ten. - All forces 250 (lb) or less except when shown.
 TOP CHORD 1-2=-5764/621, 2-3=-4103/565, 3-4=-4104/565, 4-5=-5131/652, 1-10=-5333/559, 5-6=-4742/585
 BOT CHORD 10-11=-239/559, 9-11=-239/559, 9-12=-459/4019, 12-13=-459/4019, 8-13=-459/4019, 8-14=-394/3572, 7-14=-394/3572, 7-15=-81/424, 6-15=-81/424
 WEBS 3-8=-700/5525, 4-8=-1268/341, 4-7=-261/1597, 2-8=-1943/304, 2-9=-212/2583, 1-9=-350/3774, 5-7=-363/3325

- NOTES-** (12-13)
- 2-ply truss to be connected together with 10d (0.131"x3") nails as follows:
 Top chords connected as follows: 2x4 - 1 row at 0-9-0 oc, 2x6 - 2 rows staggered at 0-9-0 oc.
 Bottom chords connected as follows: 2x6 - 2 rows staggered at 0-6-0 oc.
 Webs connected as follows: 2x4 - 1 row at 0-9-0 oc.
 - All loads are considered equally applied to all plies, except if noted as front (F) or back (B) face in the LOAD CASE(S) section. Ply to ply connections have been provided to distribute only loads noted as (F) or (B), unless otherwise indicated.
 - Unbalanced roof live loads have been considered for this design.
 - Wind: ASCE 7-16; Vult=130mph (3-second gust) Vasd=103mph; TCCL=5.0psf; BCDL=5.0psf; h=23ft; Cat. II; Exp B; Enclosed; MWFRS (envelope) gable end zone; end vertical left and right exposed; Lumber DOL=1.60 plate grip DOL=1.60
 - TCCL: ASCE 7-16; Pr=20.0 psf (roof LL: Lum DOL=1.15 Plate DOL=1.15); Pf=20.0 psf (Lum DOL=1.15 Plate DOL=1.15); Is=1.0; Rough Cat B; Partially Exp.; Ce=1.0; Cs=1.00; Ct=1.10
 - This truss has been designed for a 10.0 psf bottom chord live load nonconcurrent with any other live loads.
 - * This truss has been designed for a live load of 30.0psf on the bottom chord in all areas where a rectangle 3-6-0 tall by 1-0-0 wide will fit between the bottom chord and any other members.
 - Provide mechanical connection (by others) of truss to bearing plate capable of withstanding 100 lb uplift at joint(s) except (jt=lb) 10=613, 6=667.
 - This truss is designed in accordance with the 2018 International Residential Code sections R502.11.1 and R802.10.2 and referenced standard ANSI/TPI 1.
 - Use Simpson Strong-Tie HTU26 (20-10d Girder, 11-10dx1 1/2 Truss, Single Ply Girder) or equivalent spaced at 2-0-0 oc max. starting at 2-0-12 from the left end to 13-2-4 to connect truss(es) R04 (1 ply 2x6 SP), R03 (1 ply 2x6 SP) to back face of bottom chord.
 - Fill all nail holes where hanger is in contact with lumber.



10/7/2020

Continued on Page 2
 Design parameters and read notes before use. This design is based only upon parameters shown, and is for an individual building component to be installed and loaded vertically. Applicability of design parameters and proper incorporation of component is responsibility of building designer – not truss designer or truss engineer. Bracing shown is for lateral support of individual web members only. Additional temporary bracing to ensure stability during construction is the responsibility of the erector. Additional permanent bracing of the overall structure is the responsibility of the building designer. For general guidance regarding fabrication, quality control, storage, delivery, erection and bracing, consult ANSI/TPI 1 National Design Standard for Metal Plate Connected Wood Truss Construction and BCSI 1-03 Guide to Good Practice for Handling, Installing & Bracing of Metal Plate Connected Wood Trusses from Truss Plate Institute, 583 D'Onofrio Drive, Madison, WI 53719.

Job 20-4531-R01	Truss R06	Truss Type Common Girder	Qty 1	Ply 2	LOT 1163 CARRIAGE CIRCLE 108 SPRUCE HOLLOW CIRCLE SPRING LAKE, N Job Reference (optional) # 23872
--------------------	--------------	-----------------------------	----------	----------	---

8.330 s Mar 10 2020 MiTek Industries, Inc. Thu Oct 8 20:16:56 2020 Page 2
ID:MsMZ7fuyNIJd5IEFbR85JwyPq?q-AR2Xo2o13t7ou9WWW6xjkCoc7_Zlznr9k?4g0PyVNq5

- 12) Graphical web bracing representation does not depict the size, type or the orientation of the brace on the web. Symbol only indicates that the member must be braced.
13) Bearing symbols are only graphical representations of a possible bearing condition. Bearing symbols are not considered in the structural design of the truss to support the loads indicated.

LOAD CASE(S) Standard

1) Dead + Snow (balanced): Lumber Increase=1.15, Plate Increase=1.15

Uniform Loads (plf)

Vert: 1-3=-60, 3-5=-60, 6-10=-20

Concentrated Loads (lb)

Vert: 7=-1389(B) 9=-1498(B) 11=-1498(B) 12=-1498(B) 13=-1498(B) 14=-1389(B) 15=-1389(B)



10/7/2020

Warning !—Verify design parameters and read notes before use. This design is based only upon parameters shown, and is for an individual building component to be installed and loaded vertically. Applicability of design parameters and proper incorporation of component is responsibility of building designer – not truss designer or truss engineer. Bracing shown is for lateral support of individual web members only. Additional temporary bracing to ensure stability during construction is the responsibility of the erector. Additional permanent bracing of the overall structure is the responsibility of the building designer. For general guidance regarding fabrication, quality control, storage, delivery, erection and bracing, consult ANSI/TPI 1 *National Design Standard for Metal Plate Connected Wood Truss Construction* and BCSI 1-03 *Guide to Good Practice for Handling, Installing & Bracing of Metal Plate Connected Wood Trusses* from Truss Plate Institute, 583 D'Onofrio Drive, Madison, WI 53719.

Job 20-4531-R01	Truss R07	Truss Type Common	Qty 7	Ply 1	LOT 1163 CARRIAGE CIRCLE 108 SPRUCE HOLLOW CIRCLE SPRING LAKE, N	# 23872
--------------------	--------------	----------------------	----------	----------	--	---------

8:330 s Mar 10 2020 MiTek Industries, Inc. Thu Oct 8 20:16:57 2020 Page 1
 ID:MsMZ7fuyNIJd5IEFbR85JwyPq?q-edbw0NpfqBFfV15i3qSyHPLgKO?qiNElyfqEYryVNq4

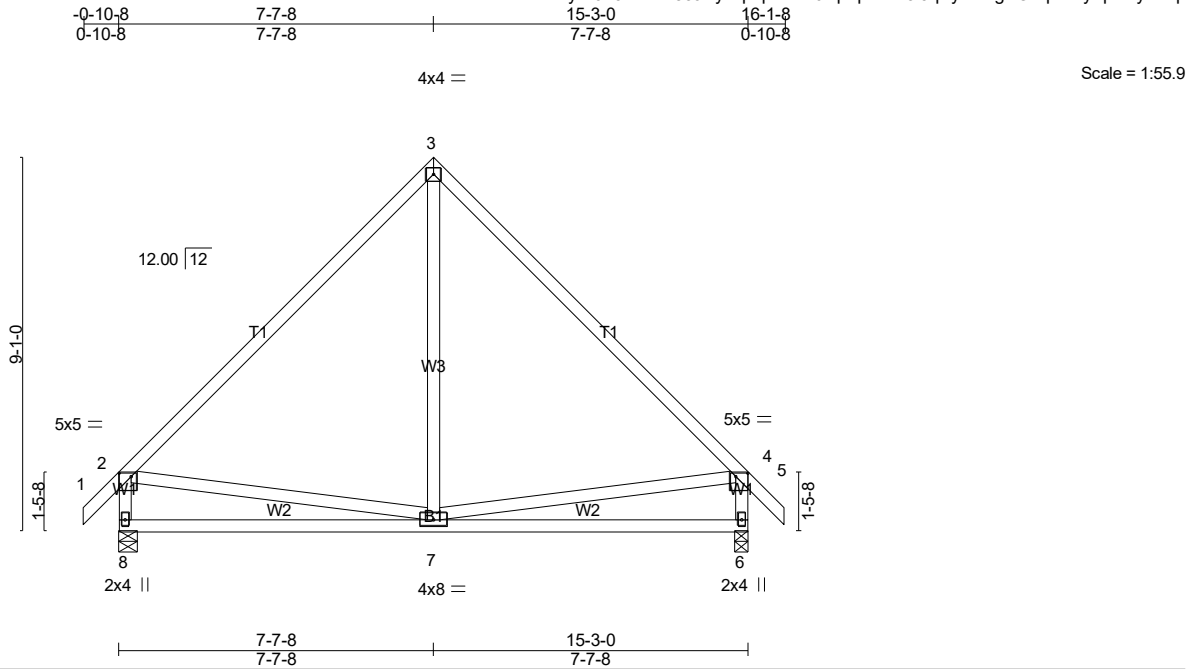


Plate Offsets (X,Y)-- [2:0-3-8,0-1-0], [4:0-3-8,0-1-0]

LOADING (psf)	SPACING-	CSI.	DEFL.	PLATES	GRIP
TCLL (roof) 20.0	2-0-0	TC 0.72	in (loc) l/defl L/d	MT20	244/190
Snow (Pf) 20.0	Plate Grip DOL 1.15	BC 0.50	Vert(LL) -0.06 7-8 >999 240		
TCDL 10.0	Lumber DOL 1.15	WB 0.20	Vert(CT) -0.13 7-8 >999 180		
BCLL 0.0 *	Rep Stress Incr YES	Matrix-SH	Horz(CT) 0.01 6 n/a n/a		
BCDL 10.0	Code IRC2018/TPI2014			Weight: 96 lb	FT = 0%

LUMBER-
 TOP CHORD 2x4 SP No.2
 BOT CHORD 2x4 SP No.2
 WEBS 2x4 SP No.3 *Except*
 W1: 2x4 SP No.2

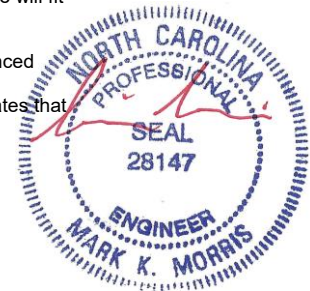
BRACING-
 TOP CHORD Structural wood sheathing directly applied or 5-9-2 oc purlins, except end verticals.
 BOT CHORD Rigid ceiling directly applied or 10-0-0 oc bracing.
 MiTek recommends that Stabilizers and required cross bracing be installed during truss erection, in accordance with Stabilizer Installation guide.

REACTIONS. (lb/size) 8=660/0-5-8 (min. 0-1-8), 6=660/0-3-8 (min. 0-1-8)
 Max Horz 8=-237(LC 10)
 Max Uplift 8=-74(LC 13), 6=-74(LC 12)

FORCES. (lb) - Max. Comp./Max. Ten. - All forces 250 (lb) or less except when shown.
 TOP CHORD 2-3=-572/137, 3-4=-572/137, 2-8=-593/105, 4-6=-593/105
 BOT CHORD 7-8=-315/456, 6-7=-219/281
 WEBS 3-7=0/311, 2-7=-175/352, 4-7=-179/353

- NOTES-** (9-10)
- Unbalanced roof live loads have been considered for this design.
 - Wind: ASCE 7-16; Vult=130mph (3-second gust) Vasd=103mph; TCCL=5.0psf; BCDL=5.0psf; h=23ft; Cat. II; Exp B; Enclosed; MWFRS (envelope) gable end zone and C-C Exterior(2) zone; end vertical left and right exposed; C-C for members and forces & MWFRS for reactions shown; Lumber DOL=1.60 plate grip DOL=1.60
 - TCLL: ASCE 7-16; Pr=20.0 psf (roof LL: Lum DOL=1.15 Plate DOL=1.15); Pf=20.0 psf (Lum DOL=1.15 Plate DOL=1.15); Is=1.0; Rough Cat B; Partially Exp.; Ce=1.0; Cs=1.00; Ct=1.10
 - This truss has been designed for greater of min roof live load of 12.0 psf or 2.00 times flat roof load of 20.0 psf on overhangs non-concurrent with other live loads.
 - This truss has been designed for a 10.0 psf bottom chord live load nonconcurrent with any other live loads.
 - * This truss has been designed for a live load of 30.0psf on the bottom chord in all areas where a rectangle 3-6-0 tall by 1-0-0 wide will fit between the bottom chord and any other members.
 - Provide mechanical connection (by others) of truss to bearing plate capable of withstanding 100 lb uplift at joint(s) 8, 6.
 - This truss is designed in accordance with the 2018 International Residential Code sections R502.11.1 and R802.10.2 and referenced standard ANSI/TPI 1.
 - Graphical web bracing representation does not depict the size, type or the orientation of the brace on the web. Symbol only indicates that the member must be braced.
 - Bearing symbols are only graphical representations of a possible bearing condition. Bearing symbols are not considered in the structural design of the truss to support the loads indicated.

LOAD CASE(S) Standard

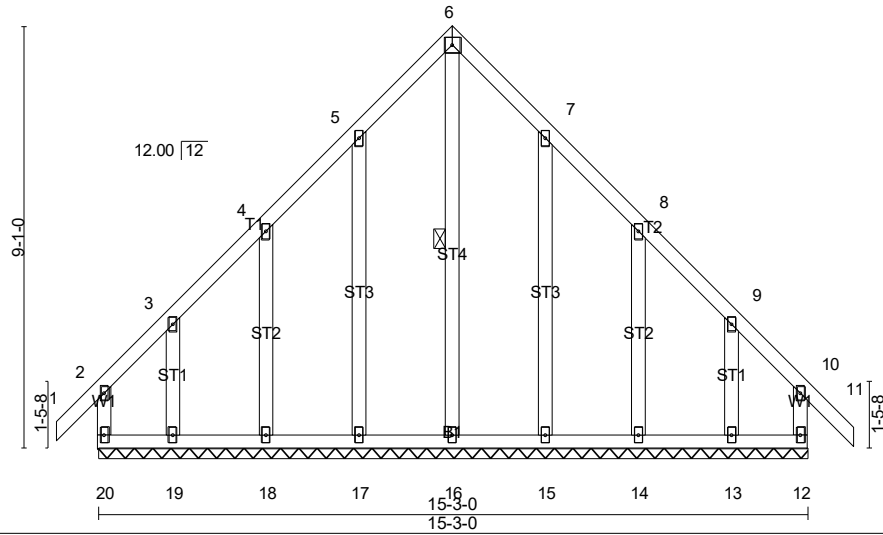
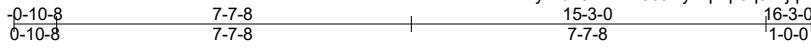


10/7/2020

Warning !—Verify design parameters and read notes before use. This design is based only upon parameters shown, and is for an individual building component to be installed and loaded vertically. Applicability of design parameters and proper incorporation of component is responsibility of building designer – not truss designer or truss engineer. Bracing shown is for lateral support of individual web members only. Additional temporary bracing to ensure stability during construction is the responsibility of the erector. Additional permanent bracing of the overall structure is the responsibility of the building designer. For general guidance regarding fabrication, quality control, storage, delivery, erection and bracing, consult ANSI/TPI 1 *National Design Standard for Metal Plate Connected Wood Truss Construction* and BCSI 1-03 *Guide to Good Practice for Handling, Installing & Bracing of Metal Plate Connected Wood Trusses* from Truss Plate Institute, 583 D*Onofrio Drive, Madison, WI 53719.

Job 20-4531-R01	Truss R08	Truss Type Common Supported Gable	Qty 1	Ply 1	LOT 1163 CARRIAGE CIRCLE 108 SPRUCE HOLLOW CIRCLE SPRING LAKE, N.C. Job Reference (optional) # 23872
--------------------	--------------	--------------------------------------	----------	----------	---

8:330 s Mar 10 2020 MiTek Industries, Inc. Thu Oct 8 20:16:58 2020 Page 1
ID:MsMZ7fuyNIJd5IEFbR85JwyPq?q-6q9IDjqHbUNV7SgvdXzBpdtzuoRuRsZRBjZn4HyVnQ3



LOADING (psf)	SPACING-	CSI.	DEFL.	PLATES	GRIP
TCLL (roof) 20.0	2-0-0	TC 0.22	in (loc) l/defl L/d	MT20	244/190
Snow (Pf) 20.0	Plate Grip DOL 1.15	BC 0.12	Vert(LL) -0.00 11 n/r 180		
TCDL 10.0	Lumber DOL 1.15	WB 0.13	Vert(CT) -0.01 11 n/r 80		
BCLL 0.0 *	Rep Stress Incr YES	Matrix-R	Horz(CT) 0.00 12 n/a n/a		
BCDL 10.0	Code IRC2018/TPI2014			Weight: 115 lb	FT = 0%

LUMBER-
TOP CHORD 2x4 SP No.2
BOT CHORD 2x4 SP No.2
WEBS 2x4 SP No.3
OTHERS 2x4 SP No.3

BRACING-
TOP CHORD Structural wood sheathing directly applied or 6-0-0 oc purlins, except end verticals.
BOT CHORD Rigid ceiling directly applied or 6-0-0 oc bracing.
WEBS 1 Row at midpt 6-16

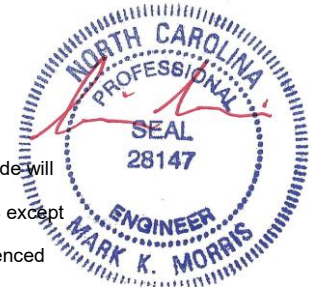
MiTek recommends that Stabilizers and required cross bracing be installed during truss erection, in accordance with Stabilizer Installation guide.

REACTIONS. All bearings 15-3-0.
(lb) - Max Horz 20=-239(LC 10)
Max Uplift All uplift 100 lb or less at joint(s) 17, 18, 15, 14 except 20=-171(LC 8), 12=-154(LC 9), 19=-185(LC 12), 13=-178(LC 13)
Max Grav All reactions 250 lb or less at joint(s) 20, 12, 18, 19, 14, 13 except 16=354(LC 23), 17=287(LC 20), 15=286(LC 21)

FORCES. (lb) - Max. Comp./Max. Ten. - All forces 250 (lb) or less except when shown.
TOP CHORD 5-6=-189/256, 6-7=-189/251
WEBS 6-16=-298/164

NOTES- (14-15)

- Unbalanced roof live loads have been considered for this design.
- Wind: ASCE 7-16; Vult=130mph (3-second gust) Vasd=103mph; TCDL=5.0psf; BCDL=5.0psf; h=23ft; Cat. II; Exp B; Enclosed; MWFRS (envelope) gable end zone and C-C Exterior(2) zone; end vertical left and right exposed; C-C for members and forces & MWFRS for reactions shown; Lumber DOL=1.60 plate grip DOL=1.60
- Truss designed for wind loads in the plane of the truss only. For studs exposed to wind (normal to the face), see Standard Industry Gable End Details as applicable, or consult qualified building designer as per ANSI/TPI 1.
- TCLL: ASCE 7-16; Pr=20.0 psf (roof LL: Lum DOL=1.15 Plate DOL=1.15); Pf=20.0 psf (Lum DOL=1.15 Plate DOL=1.15); Is=1.0; Rough Cat B; Partially Exp.; Ce=1.0; Cs=1.00; Ct=1.10
- This truss has been designed for greater of min roof live load of 12.0 psf or 2.00 times flat roof load of 20.0 psf on overhangs non-concurrent with other live loads.
- All plates are 2x4 MT20 unless otherwise indicated.
- Gable requires continuous bottom chord bearing.
- Truss to be fully sheathed from one face or securely braced against lateral movement (i.e. diagonal web).
- Gable studs spaced at 2-0-0 oc.
- This truss has been designed for a 10.0 psf bottom chord live load nonconcurrent with any other live loads.
- * This truss has been designed for a live load of 30.0psf on the bottom chord in all areas where a rectangle 3-6-0 tall by 1-0-0 wide will fit between the bottom chord and any other members, with BCDL = 10.0psf.
- Provide mechanical connection (by others) of truss to bearing plate capable of withstanding 100 lb uplift at joint(s) 17, 18, 15, 14 except (jt=lb) 20=171, 12=154, 19=185, 13=178.
- This truss is designed in accordance with the 2018 International Residential Code sections R502.11.1 and R802.10.2 and referenced standard ANSI/TPI 1.



10/7/2020

Continued on page 2. Design parameters and read notes before use. This design is based only upon parameters shown, and is for an individual building component to be installed and loaded vertically. Applicability of design parameters and proper incorporation of component is responsibility of building designer – not truss designer or truss engineer. Bracing shown is for lateral support of individual web members only. Additional temporary bracing to ensure stability during construction is the responsibility of the erector. Additional permanent bracing of the overall structure is the responsibility of the building designer. For general guidance regarding fabrication, quality control, storage, delivery, erection and bracing, consult ANSI/TPI 1 *National Design Standard for Metal Plate Connected Wood Truss Construction* and BCSI 1-03 *Guide to Good Practice for Handling, Installing & Bracing of Metal Plate Connected Wood Trusses* from Truss Plate Institute, 583 D'Onofrio Drive, Madison, WI 53719.

Job	Truss	Truss Type	Qty	Ply	LOT 1163 CARRIAGE CIRCLE 108 SPRUCE HOLLOW CIRCLE SPRING LAKE, N
20-4531-R01	R08	Common Supported Gable	1	1	Job Reference (optional) # 23872

8.330 s Mar 10 2020 MiTek Industries, Inc. Thu Oct 8 20:16:58 2020 Page 2
 ID:MsMZ7fuyNIJd5IEFbR85JwyPq?q-6q9IDjqHbUNV7SgvdXzBpdtzuoRuRsZRBjZn4HyVNq3

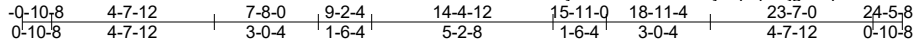
- 14) Graphical web bracing representation does not depict the size, type or the orientation of the brace on the web. Symbol only indicates that the member must be braced.
 15) Bearing symbols are only graphical representations of a possible bearing condition. Bearing symbols are not considered in the structural design of the truss to support the loads indicated.

LOAD CASE(S) Standard



10/7/2020

Warning !—Verify design parameters and read notes before use. This design is based only upon parameters shown, and is for an individual building component to be installed and loaded vertically. Applicability of design parameters and proper incorporation of component is responsibility of building designer – not truss designer or truss engineer. Bracing shown is for lateral support of individual web members only. Additional temporary bracing to ensure stability during construction is the responsibility of the erector. Additional permanent bracing of the overall structure is the responsibility of the building designer. For general guidance regarding fabrication, quality control, storage, delivery, erection and bracing, consult ANSI/TPI 1 *National Design Standard for Metal Plate Connected Wood Truss Construction* and BCSI 1-03 *Guide to Good Practice for Handling, Installing & Bracing of Metal Plate Connected Wood Trusses* from Truss Plate Institute, 583 D'Onofrio Drive, Madison, WI 53719.



Scale = 1:66.1

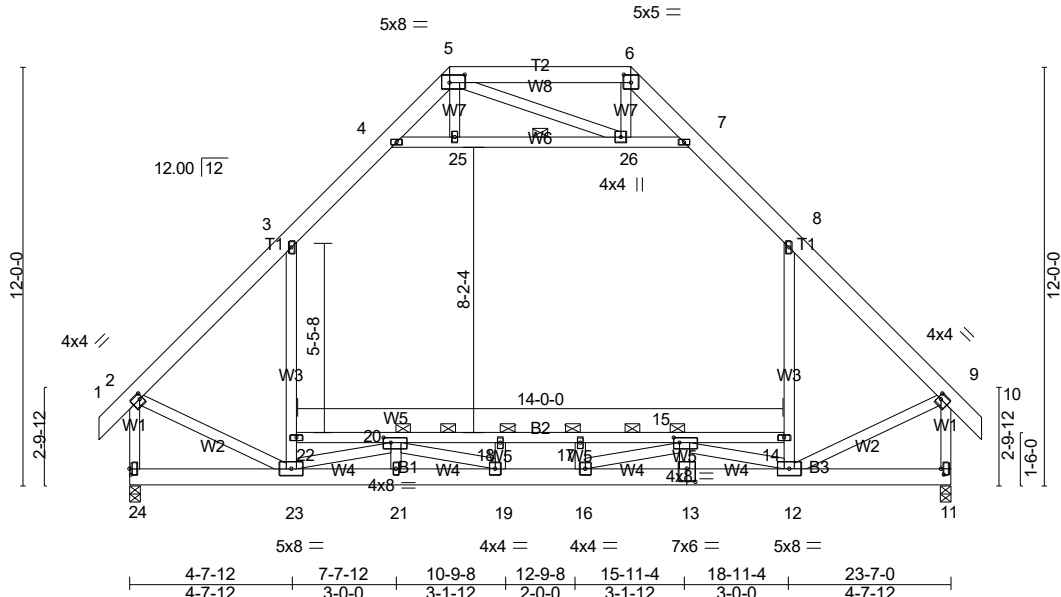


Plate Offsets (X,Y)--	[2:0-1-0,0-1-12], [5:0-5-4,0-2-12], [6:0-2-8,0-2-12], [9:0-1-0,0-1-12], [11:0-2-0,0-1-0], [13:0-3-0,0-4-8], [15:0-2-0,0-1-12], [20:0-2-8,0-1-12], [24:0-2-0,0-0-8]
-----------------------	--

LOADING (psf)	SPACING-	CSI.	DEFL.	in (loc)	l/defl	L/d	PLATES	GRIP
TCLL (roof) 20.0	2-0-0	TC 0.87	Vert(LL) -0.23	17-18	>999	240	MT20	244/190
Snow (Pf) 20.0	Plate Grip DOL 1.15	BC 0.78	Vert(CT) -0.37	17-18	>760	180		
TCDL 10.0	Lumber DOL 1.15	WB 0.50	Horz(CT) 0.04	11	n/a	n/a		
BCLL 0.0 *	Rep Stress Incr YES	Matrix-SH	Attic -0.13	14-22	1276	360		
BCDL 10.0	Code IRC2018/TPI2014						Weight: 242 lb	FT = 0%

LUMBER-
 TOP CHORD 2x6 SP No.2
 BOT CHORD 2x6 SP No.2 *Except*
 B2: 2x4 SP No.3
 WEBS 2x4 SP No.3 *Except*
 W3,W6: 2x4 SP No.2

BRACING-
 TOP CHORD Structural wood sheathing directly applied or 2-2-0 oc purlins, except end verticals.
 BOT CHORD Rigid ceiling directly applied or 10-0-0 oc bracing. Except:
 2-9-0 oc bracing: 18-20, 15-17
 3-0-0 oc bracing: 17-18
 6-0-0 oc bracing: 20-22, 14-15
 WEBS 1 Row at midpt 4-7
 JOINTS 1 Brace at Jt(s): 17, 18, 20, 15

MiTek recommends that Stabilizers and required cross bracing be installed during truss erection, in accordance with Stabilizer Installation guide.

REACTIONS. (lb/size) 24=1207/0-3-8 (min. 0-1-12), 11=1207/0-3-8 (min. 0-1-12)
 Max Horz 24=-312(LC 10)
 Max Grav 24=1510(LC 3), 11=1510(LC 3)

FORCES. (lb) - Max. Comp./Max. Ten. - All forces 250 (lb) or less except when shown.
 TOP CHORD 2-3=-1294/41, 3-4=-855/126, 4-5=-314/124, 5-6=-157/285, 6-7=-307/127, 7-8=-855/127, 8-9=-1295/42, 2-24=-1479/12, 9-11=-1481/13
 BOT CHORD 23-24=-301/334, 21-23=-32/2458, 19-21=-32/2458, 16-19=0/3133, 13-16=0/2356, 12-13=0/2356, 18-20=-2456/0, 17-18=-2456/0, 15-17=-2456/0
 WEBS 22-23=-31/458, 3-22=-3/584, 12-14=-32/458, 8-14=-3/584, 4-25=-996/204, 25-26=-991/206, 7-26=-1013/209, 2-23=-34/902, 9-12=-38/905, 15-16=-152/920, 12-15=-1795/0, 19-20=-140/910, 20-23=-1797/0

- NOTES-** (13-14)
- Unbalanced roof live loads have been considered for this design.
 - Wind: ASCE 7-16; Vult=130mph (3-second gust) Vasd=103mph; TC DL=5.0psf; BCDL=5.0psf; h=23ft; Cat. II; Exp B; Enclosed; MWFRS (envelope) gable end zone and C-C Exterior(2) zone; end vertical left and right exposed; C-C for members and forces & MWFRS for reactions shown; Lumber DOL=1.60 plate grip DOL=1.60
 - TC LL: ASCE 7-16; Pr=20.0 psf (roof LL: Lum DOL=1.15 Plate DOL=1.15); Pf=20.0 psf (Lum DOL=1.15 Plate DOL=1.15); Is=1.0; Rough Cat B; Partially Exp.; Ce=1.0; Cs=1.00; Ct=1.10
 - This truss has been designed for greater of min roof live load of 12.0 psf or 2.00 times flat roof load of 20.0 psf on overhangs non-concurrent with other live loads.
 - Provide adequate drainage to prevent water ponding.
 - All plates are 2x4 MT20 unless otherwise indicated.
 - This truss has been designed for a 10.0 psf bottom chord live load nonconcurrent with any other live loads.
 - * This truss has been designed for a live load of 30.0psf on the bottom chord in all areas where a rectangle 3-6-0 tall by 1-0-0 wide will fit between the bottom chord and any other members.
 - Ceiling dead load (5.0 psf) on member(s). 3-4, 7-8, 4-25, 25-26, 7-26
 - Bottom chord live load (40.0 psf) and additional bottom chord dead load (0.0 psf) applied only to room. 20-22, 18-20, 17-18, 15-17, 14-15



10/7/2020

Job	Truss	Truss Type	Qty	Ply	LOT 1163 CARRIAGE CIRCLE 108 SPRUCE HOLLOW CIRCLE SPRING LAKE, N
20-4531-R01	R09	Attic	9	1	Job Reference (optional) # 23872

8.330 s Mar 10 2020 MiTek Industries, Inc. Thu Oct 8 20:17:00 2020 Page 2
 ID:MsMZ7fuyNIJd5IEFbR85JwyPq?q-2CH2ePrX76dDMmqHly?fu2z9Gbx8vgDkfd2u9AyVNq1

NOTES- (13-14)

- 11) This truss is designed in accordance with the 2018 International Residential Code sections R502.11.1 and R802.10.2 and referenced standard ANSI/TPI 1.
- 12) Attic room checked for L/360 deflection.
- 13) Graphical web bracing representation does not depict the size, type or the orientation of the brace on the web. Symbol only indicates that the member must be braced.
- 14) Bearing symbols are only graphical representations of a possible bearing condition. Bearing symbols are not considered in the structural design of the truss to support the loads indicated.

LOAD CASE(S) Standard



10/7/2020

Warning !—Verify design parameters and read notes before use. This design is based only upon parameters shown, and is for an individual building component to be installed and loaded vertically. Applicability of design parameters and proper incorporation of component is responsibility of building designer – not truss designer or truss engineer. Bracing shown is for lateral support of individual web members only. Additional temporary bracing to ensure stability during construction is the responsibility of the erector. Additional permanent bracing of the overall structure is the responsibility of the building designer. For general guidance regarding fabrication, quality control, storage, delivery, erection and bracing, consult ANSI/TPI 1 *National Design Standard for Metal Plate Connected Wood Truss Construction* and BCSI 1-03 *Guide to Good Practice for Handling, Installing & Bracing of Metal Plate Connected Wood Trusses* from Truss Plate Institute, 583 D'Onofrio Drive, Madison, WI 53719.

Job 20-4531-R01	Truss R10	Truss Type GABLE	Qty 1	Ply 1	LOT 1163 CARRIAGE CIRCLE 108 SPRUCE HOLLOW CIRCLE SPRING LAKE, N.C. Job Reference (optional) # 23872
--------------------	--------------	---------------------	----------	----------	---

8.330 s Mar 10 2020 MiTek Industries, Inc. Thu Oct 8 20:17:02 2020 Page 1
ID:MsMZ7fuyNIJd5IEFbR85JwyPq?Q-?bPp35toftxc4zgsN27_T2XgPnzNcQ16xX?D3yVNq?

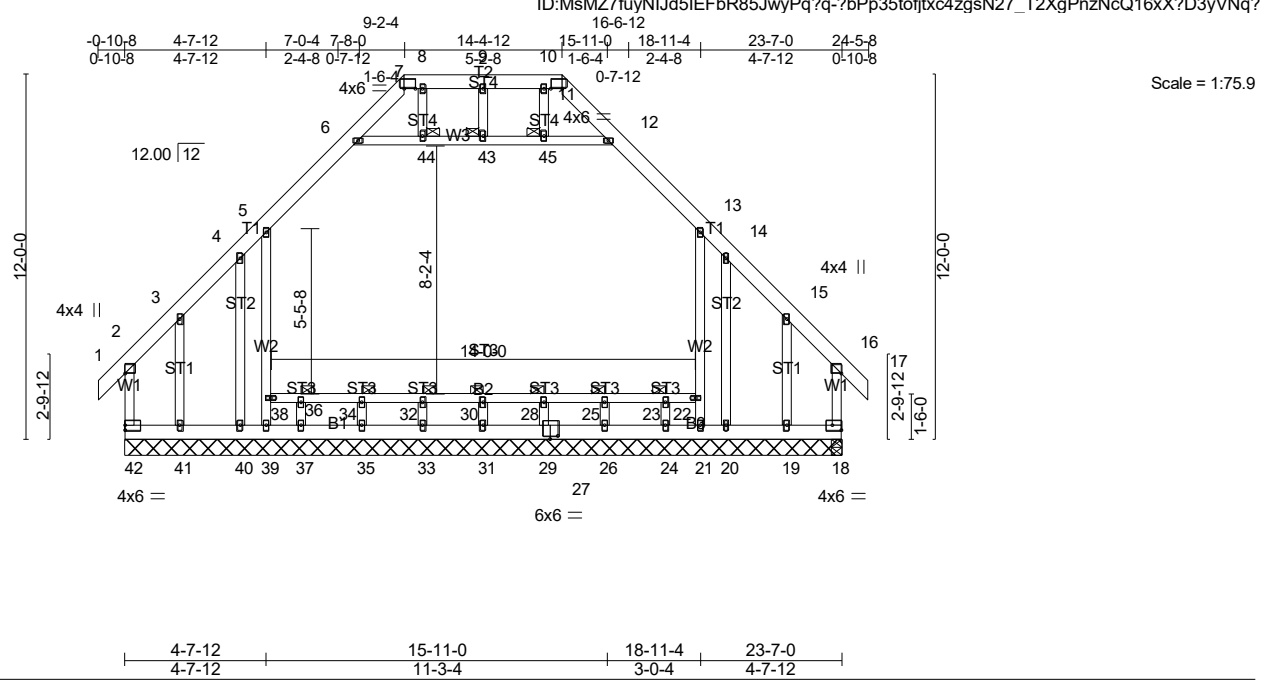


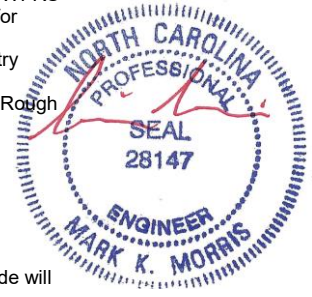
Plate Offsets (X,Y)-- [7:0-4-8,0-0-0], [11:0-4-8,0-0-0], [18:Edge,0-2-0], [27:0-3-0,0-1-4], [27:0-0-0,0-2-12], [29:0-1-12,0-0-0]					
LOADING (psf)	SPACING	CSI	DEFL.	PLATES	GRIP
TCLL (roof) 20.0	2-0-0	TC 0.74	in (loc) l/defl L/d	MT20	244/190
Snow (Pf) 20.0	Plate Grip DOL 1.15	BC 0.18	Vert(LL) -0.00 13 >999 240		
TCDL 10.0	Lumber DOL 1.15	WB 0.33	Vert(CT) -0.01 13 >999 180		
BCLL 0.0 *	Rep Stress Incr YES	Matrix-SH	Horz(CT) -0.00 18 n/a n/a		
BCDL 10.0	Code IRC2018/TPI2014			Weight: 237 lb	FT = 0%

LUMBER-	BRACING-
TOP CHORD 2x6 SP No.2	TOP CHORD Structural wood sheathing directly applied or 6-0-0 oc purlins, except end verticals.
BOT CHORD 2x6 SP No.2 *Except* B2: 2x4 SP No.3	BOT CHORD Rigid ceiling directly applied or 10-0-0 oc bracing.
WEBS 2x4 SP No.2 *Except* W1: 2x4 SP No.3	JOINTS 1 Brace at Jt(s): 43, 30, 44, 32, 34, 36, 45, 28, 23, 25
OTHERS 2x4 SP No.3	MiTek recommends that Stabilizers and required cross bracing be installed during truss erection, in accordance with Stabilizer Installation guide.

REACTIONS. All bearings 23-7-0.
(lb) - Max Horz 42=-313(LC 10)
Max Uplift All uplift 100 lb or less at joint(s) except 42=-290(LC 8), 39=-131(LC 9), 21=-125(LC 8), 18=-282(LC 9), 40=-146(LC 13), 41=-308(LC 12), 20=-146(LC 12), 19=-306(LC 13)
Max Grav All reactions 250 lb or less at joint(s) 31, 33, 35, 37, 40, 29, 24, 20, 26 except 42=587(LC 22), 39=735(LC 31), 21=735(LC 32), 18=581(LC 21), 18=480(LC 1), 41=294(LC 10), 19=289(LC 11)

FORCES. (lb) - Max. Comp./Max. Ten. - All forces 250 (lb) or less except when shown.
TOP CHORD 2-3=-379/220, 4-5=-136/298, 5-6=-442/164, 6-7=-551/88, 7-8=-484/48, 8-9=-484/48, 9-10=-484/48, 10-11=-484/48, 11-12=-551/89, 12-13=-442/164, 13-14=-129/296, 15-16=-374/214, 2-42=-404/185, 16-18=-400/180
WEBS 38-39=-744/109, 5-38=-742/113, 21-22=-744/103, 13-22=-742/108, 6-44=0/401, 43-44=0/401, 43-45=0/401, 12-45=0/401

- NOTES-** (16-17)
- Unbalanced roof live loads have been considered for this design.
 - Wind: ASCE 7-16; Vult=130mph (3-second gust) Vasd=103mph; TCDL=5.0psf; BCDL=5.0psf; h=23ft; Cat. II; Exp B; Enclosed; MWFRS (envelope) gable end zone and C-C Exterior(2) zone; end vertical left and right exposed; C-C for members and forces & MWFRS for reactions shown; Lumber DOL=1.60 plate grip DOL=1.60
 - Truss designed for wind loads in the plane of the truss only. For studs exposed to wind (normal to the face), see Standard Industry Gable End Details as applicable, or consult qualified building designer as per ANSI/TPI 1.
 - TCLL: ASCE 7-16; Pr=20.0 psf (roof LL: Lum DOL=1.15 Plate DOL=1.15); Pf=20.0 psf (Lum DOL=1.15 Plate DOL=1.15); Is=1.0; Rough Cat B; Partially Exp.; Ce=1.0; Cs=1.00; Ct=1.10
 - This truss has been designed for greater of min roof live load of 12.0 psf or 2.00 times flat roof load of 20.0 psf on overhangs non-concurrent with other live loads.
 - Provide adequate drainage to prevent water ponding.
 - All plates are 2x4 MT20 unless otherwise indicated.
 - Gable studs spaced at 2-0-0 oc.
 - This truss has been designed for a 10.0 psf bottom chord live load nonconcurrent with any other live loads.
 - * This truss has been designed for a live load of 30.0psf on the bottom chord in all areas where a rectangle 3-6-0 tall by 1-0-0 wide will fit between the bottom chord and any other members, with BCDL = 10.0psf.
 - Ceiling dead load (5.0 psf) on member(s). 5-6, 12-13, 6-44, 43-44, 43-45, 12-45



10/7/2020

Continued on Page 2 Design parameters and read notes before use. This design is based only upon parameters shown, and is for an individual building component to be installed and loaded vertically. Applicability of design parameters and proper incorporation of component is responsibility of building designer – not truss designer or truss engineer. Bracing shown is for lateral support of individual web members only. Additional temporary bracing to ensure stability during construction is the responsibility of the erector. Additional permanent bracing of the overall structure is the responsibility of the building designer. For general guidance regarding fabrication, quality control, storage, delivery, erection and bracing, consult ANSI/TPI 1 *National Design Standard for Metal Plate Connected Wood Truss Construction* and BCSI 1-03 *Guide to Good Practice for Handling, Installing & Bracing of Metal Plate Connected Wood Trusses* from Truss Plate Institute, 583 D'Onofrio Drive, Madison, WI 53719.

Job 20-4531-R01	Truss R10	Truss Type GABLE	Qty 1	Ply 1	LOT 1163 CARRIAGE CIRCLE 108 SPRUCE HOLLOW CIRCLE SPRING LAKE, N Job Reference (optional) # 23872
--------------------	--------------	---------------------	----------	----------	--

8.330 s Mar 10 2020 MiTek Industries, Inc. Thu Oct 8 20:17:03 2020 Page 2
ID:MsMZ7fuyNIJd5IEFbR85JwyPq?q-TnzBGRuQQ1?oDDYsQ5ZMWgbiQp7C62fBLbHYmVyVNq_

NOTES- (16-17)

- 12) Bottom chord live load (40.0 psf) and additional bottom chord dead load (0.0 psf) applied only to room. 36-38, 34-36, 32-34, 30-32, 28-30, 25-28, 23-25, 22-23
- 13) Provide mechanical connection (by others) of truss to bearing plate capable of withstanding 290 lb uplift at joint 42, 131 lb uplift at joint 39, 125 lb uplift at joint 21, 282 lb uplift at joint 18, 146 lb uplift at joint 40, 308 lb uplift at joint 41, 146 lb uplift at joint 20 and 306 lb uplift at joint 19.
- 14) This truss is designed in accordance with the 2018 International Residential Code sections R502.11.1 and R802.10.2 and referenced standard ANSI/TPI 1.
- 15) Attic room checked for L/360 deflection.
- 16) Graphical web bracing representation does not depict the size, type or the orientation of the brace on the web. Symbol only indicates that the member must be braced.
- 17) Bearing symbols are only graphical representations of a possible bearing condition. Bearing symbols are not considered in the structural design of the truss to support the loads indicated.

LOAD CASE(S) Standard



10/7/2020

Warning !—Verify design parameters and read notes before use. This design is based only upon parameters shown, and is for an individual building component to be installed and loaded vertically. Applicability of design parameters and proper incorporation of component is responsibility of building designer – not truss designer or truss engineer. Bracing shown is for lateral support of individual web members only. Additional temporary bracing to ensure stability during construction is the responsibility of the erector. Additional permanent bracing of the overall structure is the responsibility of the building designer. For general guidance regarding fabrication, quality control, storage, delivery, erection and bracing, consult ANSI/TPI 1 *National Design Standard for Metal Plate Connected Wood Truss Construction* and BCSI 1-03 *Guide to Good Practice for Handling, Installing & Bracing of Metal Plate Connected Wood Trusses* from Truss Plate Institute, 583 D'Onofrio Drive, Madison, WI 53719.

Job 20-4531-R01	Truss R11	Truss Type Monopitch Supported Gable	Qty 1	Ply 1	LOT 1163 CARRIAGE CIRCLE 108 SPRUCE HOLLOW CIRCLE SPRING LAKE, N Job Reference (optional) # 23872
--------------------	--------------	---	----------	----------	--

8.330 s Mar 10 2020 MiTek Industries, Inc. Thu Oct 8 20:17:03 2020 Page 1

ID:MsMZ7fuyNIJd5IEFbR85JwyPq?q-TnzBGRuQQ1?oDDYsQ5ZMWGbgYp8E65TBLbHYmVvVnq_

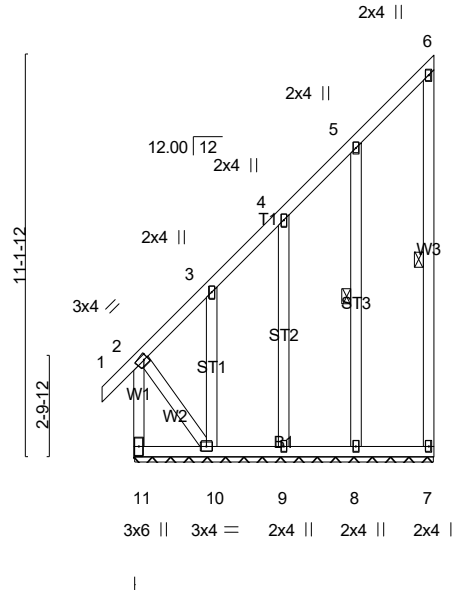


Plate Offsets (X,Y)-- [2:0-1-4,0-1-8]

LOADING (psf)	SPACING-	CSI.	DEFL.	in (loc)	l/defl	L/d	PLATES	GRIP
TCLL (roof) 20.0	2-0-0	TC 0.22	Vert(LL) 0.00	1	n/r	180	MT20	244/190
Snow (Pf) 20.0	Plate Grip DOL 1.15	BC 0.11	Vert(CT) 0.00	1	n/r	80		
TCDL 10.0	Lumber DOL 1.15	WB 0.15	Horz(CT) -0.00	7	n/a	n/a		
BCLL 0.0 *	Rep Stress Incr YES	Matrix-P						
BCDL 10.0	Code IRC2018/TPI2014						Weight: 84 lb	FT = 0%

LUMBER-
 TOP CHORD 2x4 SP No.2
 BOT CHORD 2x4 SP No.3
 WEBS 2x4 SP No.3
 OTHERS 2x4 SP No.3

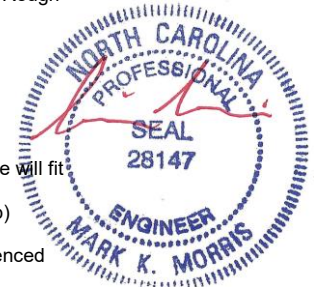
BRACING-
 TOP CHORD Structural wood sheathing directly applied or 6-0-0 oc purlins, except end verticals.
 BOT CHORD Rigid ceiling directly applied or 10-0-0 oc bracing.
 WEBS 1 Row at midpt 6-7, 5-8

MiTek recommends that Stabilizers and required cross bracing be installed during truss erection, in accordance with Stabilizer Installation guide.

REACTIONS. All bearings 8-4-0.
 (lb) - Max Horz 11=287(LC 12)
 Max Uplift All uplift 100 lb or less at joint(s) 7 except 11=-196(LC 10), 9=-106(LC 12), 10=-484(LC 12), 8=-114(LC 12)
 Max Grav All reactions 250 lb or less at joint(s) 7 except 11=598(LC 12), 9=268(LC 20), 10=362(LC 20), 8=302(LC 20)

FORCES. (lb) - Max. Comp./Max. Ten. - All forces 250 (lb) or less except when shown.
 TOP CHORD 2-11=-590/467, 2-3=-359/295, 3-4=-263/201
 BOT CHORD 10-11=-303/235
 WEBS 2-10=-383/495

- NOTES-** (12-13)
- 1) Wind: ASCE 7-16; Vult=130mph (3-second gust) Vasd=103mph; TCDL=5.0psf; BCDL=5.0psf; h=23ft; Cat. II; Exp B; Enclosed; MWFRS (envelope) gable end zone and C-C Exterior(2) zone; end vertical left exposed;C-C for members and forces & MWFRS for reactions shown; Lumber DOL=1.60 plate grip DOL=1.60
 - 2) Truss designed for wind loads in the plane of the truss only. For studs exposed to wind (normal to the face), see Standard Industry Gable End Details as applicable, or consult qualified building designer as per ANSI/TPI 1.
 - 3) TCLL: ASCE 7-16; Pr=20.0 psf (roof LL: Lum DOL=1.15 Plate DOL=1.15); Pf=20.0 psf (Lum DOL=1.15 Plate DOL=1.15); Is=1.0; Rough Cat B; Partially Exp.; Ce=1.0; Cs=1.00; Ct=1.10
 - 4) This truss has been designed for greater of min roof live load of 12.0 psf or 2.00 times flat roof load of 20.0 psf on overhangs non-concurrent with other live loads.
 - 5) Gable requires continuous bottom chord bearing.
 - 6) Truss to be fully sheathed from one face or securely braced against lateral movement (i.e. diagonal web).
 - 7) Gable studs spaced at 2-0-0 oc.
 - 8) This truss has been designed for a 10.0 psf bottom chord live load nonconcurrent with any other live loads.
 - 9) * This truss has been designed for a live load of 30.0psf on the bottom chord in all areas where a rectangle 3-6-0 tall by 1-0-0 wide will fit between the bottom chord and any other members, with BCDL = 10.0psf.
 - 10) Provide mechanical connection (by others) of truss to bearing plate capable of withstanding 100 lb uplift at joint(s) 7 except (jt=lb) 11=196, 9=106, 10=484, 8=114.
 - 11) This truss is designed in accordance with the 2018 International Residential Code sections R502.11.1 and R802.10.2 and referenced standard ANSI/TPI 1.



10/7/2020

Continued on page 2
 Design parameters and read notes before use. This design is based only upon parameters shown, and is for an individual building component to be installed and loaded vertically. Applicability of design parameters and proper incorporation of component is responsibility of building designer – not truss designer or truss engineer. Bracing shown is for lateral support of individual web members only. Additional temporary bracing to ensure stability during construction is the responsibility of the erector. Additional permanent bracing of the overall structure is the responsibility of the building designer. For general guidance regarding fabrication, quality control, storage, delivery, erection and bracing, consult ANSI/TPI 1 National Design Standard for Metal Plate Connected Wood Truss Construction and BCSI 1-03 Guide to Good Practice for Handling, Installing & Bracing of Metal Plate Connected Wood Trusses from Truss Plate Institute, 583 D'Onofrio Drive, Madison, WI 53719.

Job	Truss	Truss Type	Qty	Ply	LOT 1163 CARRIAGE CIRCLE 108 SPRUCE HOLLOW CIRCLE SPRING LAKE, N
20-4531-R01	R11	Monopitch Supported Gable	1	1	Job Reference (optional) # 23872

8.330 s Mar 10 2020 MiTek Industries, Inc. Thu Oct 8 20:17:04 2020 Page 2
 ID:MsMZ7fuyNIJd5IEFbR85JwyPq?q-x_WZUnu2AK7frN73_o4b3u7?ICUTrYjKZF05HxyVNPz

- 12) Graphical web bracing representation does not depict the size, type or the orientation of the brace on the web. Symbol only indicates that the member must be braced.
- 13) Bearing symbols are only graphical representations of a possible bearing condition. Bearing symbols are not considered in the structural design of the truss to support the loads indicated.

LOAD CASE(S) Standard

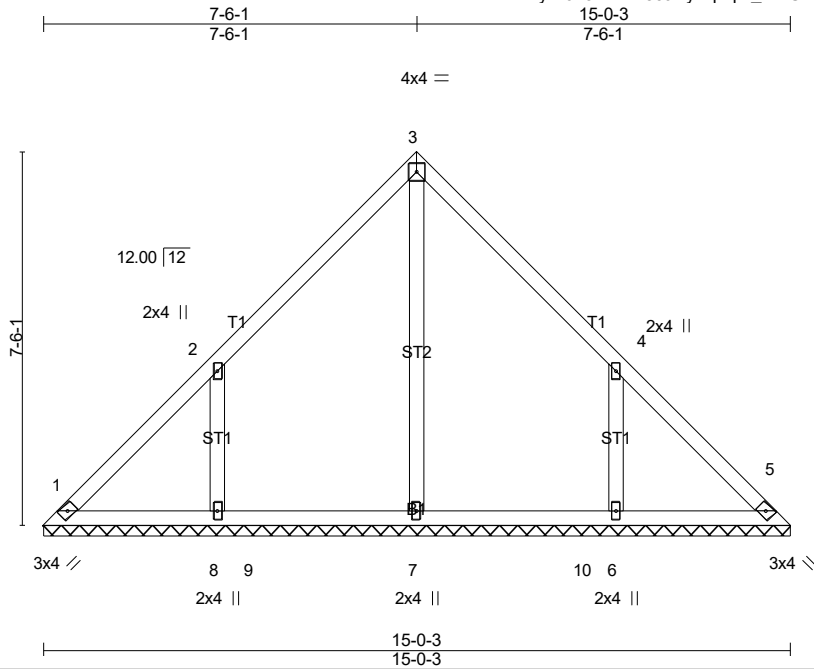


10/7/2020

Warning !—Verify design parameters and read notes before use. This design is based only upon parameters shown, and is for an individual building component to be installed and loaded vertically. Applicability of design parameters and proper incorporation of component is responsibility of building designer – not truss designer or truss engineer. Bracing shown is for lateral support of individual web members only. Additional temporary bracing to ensure stability during construction is the responsibility of the erector. Additional permanent bracing of the overall structure is the responsibility of the building designer. For general guidance regarding fabrication, quality control, storage, delivery, erection and bracing, consult ANSI/TPI 1 *National Design Standard for Metal Plate Connected Wood Truss Construction* and BCSI 1-03 *Guide to Good Practice for Handling, Installing & Bracing of Metal Plate Connected Wood Trusses* from Truss Plate Institute, 583 D*Onofrio Drive, Madison, WI 53719.

Job 20-4531-R01	Truss VT01	Truss Type Valley	Qty 1	Ply 1	LOT 1163 CARRIAGE CIRCLE 108 SPRUCE HOLLOW CIRCLE SPRING LAKE, N.C. Job Reference (optional) # 23872
--------------------	---------------	----------------------	----------	----------	---

8:330 s Mar 10 2020 MiTek Industries, Inc. Thu Oct 8 20:17:04 2020 Page 1
ID:MsMZ7fuyNIJd5IEFbR85JwyPq?q-x_WZUnu2AK7frN73_o4b3u70vCPkrYoKZF05HxyVNPz



Scale = 1:46.2

LOADING (psf)	SPACING-	CSI.	DEFL.	PLATES	GRIP
TCLL (roof) 20.0	2-0-0	TC 0.19	in (loc) l/defl L/d	MT20	244/190
Snow (Pf) 20.0	Plate Grip DOL 1.15	BC 0.42	Vert(LL) n/a - n/a 999		
TCDL 10.0	Lumber DOL 1.15	WB 0.14	Vert(CT) n/a - n/a 999		
BCLL 0.0 *	Rep Stress Incr YES	Matrix-SH	Horz(CT) 0.00 5 n/a n/a		
BCDL 10.0	Code IRC2018/TPI2014			Weight: 72 lb	FT = 0%

LUMBER-
TOP CHORD 2x4 SP No.2
BOT CHORD 2x4 SP No.3
OTHERS 2x4 SP No.3

BRACING-
TOP CHORD Structural wood sheathing directly applied or 6-0-0 oc purlins.
BOT CHORD Rigid ceiling directly applied or 10-0-0 oc bracing.

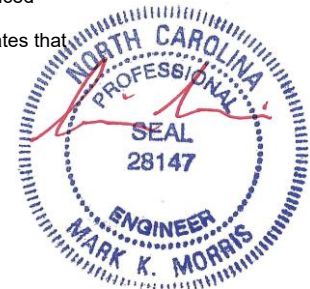
MiTek recommends that Stabilizers and required cross bracing be installed during truss erection, in accordance with Stabilizer Installation guide.

REACTIONS. All bearings 15-0-3.
(lb) - Max Horz 1=164(LC 9)
Max Uplift All uplift 100 lb or less at joint(s) 1, 5 except 8=-225(LC 12), 6=-224(LC 13)
Max Grav All reactions 250 lb or less at joint(s) 1, 5 except 7=425(LC 22), 8=435(LC 19), 6=435(LC 20)

FORCES. (lb) - Max. Comp./Max. Ten. - All forces 250 (lb) or less except when shown.
WEBS 2-8=-287/253, 4-6=-287/252

- NOTES-** (9-10)
- Unbalanced roof live loads have been considered for this design.
 - Wind: ASCE 7-16; Vult=130mph (3-second gust) Vasd=103mph; TCDL=5.0psf; BCDL=5.0psf; h=23ft; Cat. II; Exp B; Enclosed; MWFRS (envelope) gable end zone and C-C Exterior(2) zone; C-C for members and forces & MWFRS for reactions shown; Lumber DOL=1.60 plate grip DOL=1.60
 - TCLL: ASCE 7-16; Pr=20.0 psf (roof LL: Lum DOL=1.15 Plate DOL=1.15); Pf=20.0 psf (Lum DOL=1.15 Plate DOL=1.15); Is=1.0; Rough Cat B; Partially Exp.; Ce=1.0; Cs=1.00; Ct=1.10
 - Gable requires continuous bottom chord bearing.
 - This truss has been designed for a 10.0 psf bottom chord live load nonconcurrent with any other live loads.
 - * This truss has been designed for a live load of 30.0psf on the bottom chord in all areas where a rectangle 3-6-0 tall by 1-0-0 wide will fit between the bottom chord and any other members, with BCDL = 10.0psf.
 - Provide mechanical connection (by others) of truss to bearing plate capable of withstanding 100 lb uplift at joint(s) 1, 5 except (jt=lb) 8=225, 6=224.
 - This truss is designed in accordance with the 2018 International Residential Code sections R502.11.1 and R802.10.2 and referenced standard ANSI/TPI 1.
 - Graphical web bracing representation does not depict the size, type or the orientation of the brace on the web. Symbol only indicates that the member must be braced.
 - Bearing symbols are only graphical representations of a possible bearing condition. Bearing symbols are not considered in the structural design of the truss to support the loads indicated.

LOAD CASE(S) Standard

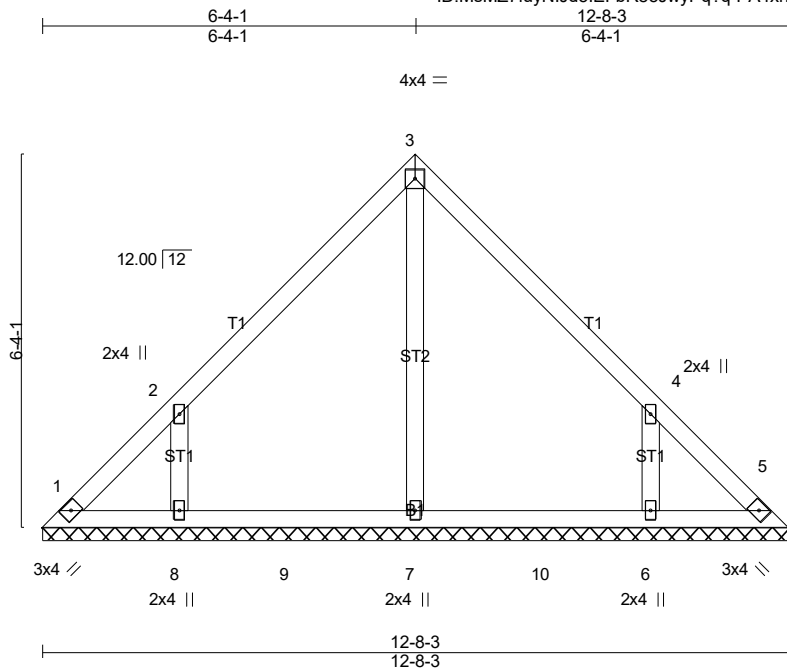


10/7/2020

Warning !—Verify design parameters and read notes before use. This design is based only upon parameters shown, and is for an individual building component to be installed and loaded vertically. Applicability of design parameters and proper incorporation of component is responsibility of building designer – not truss designer or truss engineer. Bracing shown is for lateral support of individual web members only. Additional temporary bracing to ensure stability during construction is the responsibility of the erector. Additional permanent bracing of the overall structure is the responsibility of the building designer. For general guidance regarding fabrication, quality control, storage, delivery, erection and bracing, consult ANSI/TPI 1 *National Design Standard for Metal Plate Connected Wood Truss Construction* and BCSI 1-03 *Guide to Good Practice for Handling, Installing & Bracing of Metal Plate Connected Wood Trusses* from Truss Plate Institute, 583 D'Onofrio Drive, Madison, WI 53719.

Job 20-4531-R01	Truss VT02	Truss Type Valley	Qty 1	Ply 1	LOT 1163 CARRIAGE CIRCLE 108 SPRUCE HOLLOW CIRCLE SPRING LAKE, N.C. # 23872
--------------------	---------------	----------------------	----------	----------	--

8.330 s Mar 10 2020 MiTek Industries, Inc. Thu Oct 8 20:17:05 2020 Page 1
ID:MsMZ7fuyNIJd5IEFbR85JwyPq?q-PA4xh6vgxeFWTXiFXVbrb5gBmciQa0kTovmfpNyVNPp



Scale = 1:39.1

LOADING (psf)	SPACING-	CSI.	DEFL.	PLATES	GRIP
TCLL (roof) 20.0	2-0-0	TC 0.18	in (loc) l/defl L/d	MT20	244/190
Snow (Pf) 20.0	Plate Grip DOL 1.15	BC 0.32	Vert(LL) n/a - n/a 999		
TCDL 10.0	Lumber DOL 1.15	WB 0.10	Vert(CT) n/a - n/a 999		
BCLL 0.0 *	Rep Stress Incr YES	Matrix-SH	Horz(CT) 0.00 5 n/a n/a		
BCDL 10.0	Code IRC2018/TPI2014			Weight: 58 lb	FT = 0%

LUMBER-
TOP CHORD 2x4 SP No.2
BOT CHORD 2x4 SP No.3
OTHERS 2x4 SP No.3

BRACING-
TOP CHORD
BOT CHORD

Structural wood sheathing directly applied or 6-0-0 oc purlins.
Rigid ceiling directly applied or 10-0-0 oc bracing.

MiTek recommends that Stabilizers and required cross bracing be installed during truss erection, in accordance with Stabilizer Installation guide.

REACTIONS. All bearings 12-8-3.

(lb) - Max Horz 1=-137(LC 8)

Max Uplift All uplift 100 lb or less at joint(s) 1, 5 except 8=-201(LC 12), 6=-200(LC 13)

Max Grav All reactions 250 lb or less at joint(s) 1, 5 except 7=380(LC 19), 8=356(LC 19), 6=355(LC 20)

FORCES. (lb) - Max. Comp./Max. Ten. - All forces 250 (lb) or less except when shown.

WEBS 2-8=-266/237, 4-6=-266/237

NOTES- (9-10)

1) Unbalanced roof live loads have been considered for this design.

2) Wind: ASCE 7-16; Vult=130mph (3-second gust) Vasd=103mph; TCDL=5.0psf; BCDL=5.0psf; h=23ft; Cat. II; Exp B; Enclosed; MWFRS (envelope) gable end zone and C-C Exterior(2) zone; C-C for members and forces & MWFRS for reactions shown; Lumber DOL=1.60 plate grip DOL=1.60

3) TCLL: ASCE 7-16; Pr=20.0 psf (roof LL: Lum DOL=1.15 Plate DOL=1.15); Pf=20.0 psf (Lum DOL=1.15 Plate DOL=1.15); Is=1.0; Rough Cat B; Partially Exp.; Ce=1.0; Cs=1.00; Ct=1.10

4) Gable requires continuous bottom chord bearing.

5) This truss has been designed for a 10.0 psf bottom chord live load nonconcurrent with any other live loads.

6) * This truss has been designed for a live load of 30.0psf on the bottom chord in all areas where a rectangle 3-6-0 tall by 1-0-0 wide will fit between the bottom chord and any other members, with BCDL = 10.0psf.

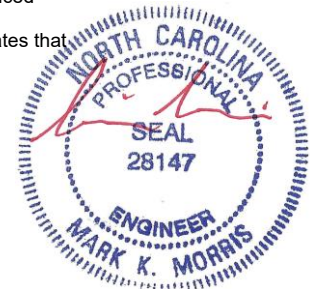
7) Provide mechanical connection (by others) of truss to bearing plate capable of withstanding 100 lb uplift at joint(s) 1, 5 except (jt=lb) 8=201, 6=200.

8) This truss is designed in accordance with the 2018 International Residential Code sections R502.11.1 and R802.10.2 and referenced standard ANSI/TPI 1.

9) Graphical web bracing representation does not depict the size, type or the orientation of the brace on the web. Symbol only indicates that the member must be braced.

10) Bearing symbols are only graphical representations of a possible bearing condition. Bearing symbols are not considered in the structural design of the truss to support the loads indicated.

LOAD CASE(S) Standard

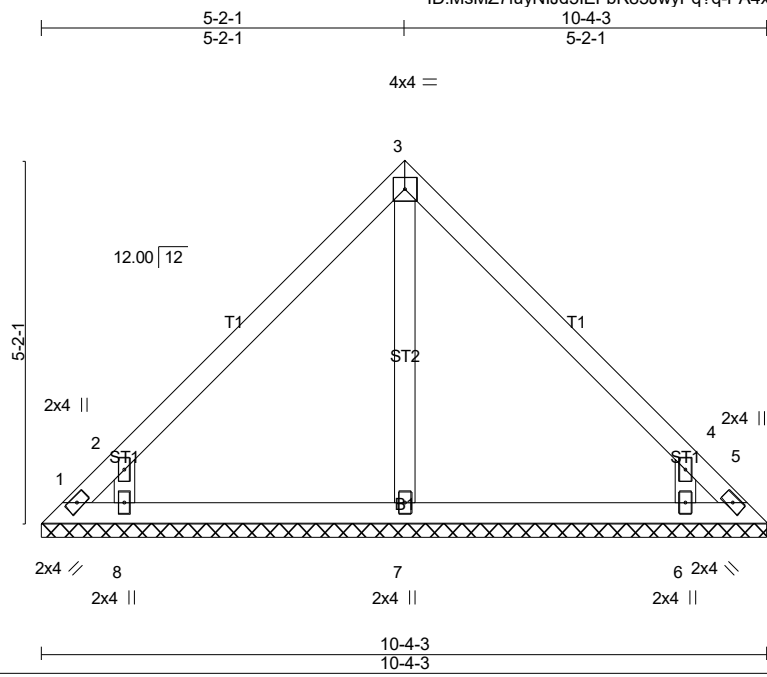


10/7/2020

Warning !—Verify design parameters and read notes before use. This design is based only upon parameters shown, and is for an individual building component to be installed and loaded vertically. Applicability of design parameters and proper incorporation of component is responsibility of building designer – not truss designer or truss engineer. Bracing shown is for lateral support of individual web members only. Additional temporary bracing to ensure stability during construction is the responsibility of the erector. Additional permanent bracing of the overall structure is the responsibility of the building designer. For general guidance regarding fabrication, quality control, storage, delivery, erection and bracing, consult ANSI/TPI 1 *National Design Standard for Metal Plate Connected Wood Truss Construction* and BCSI 1-03 *Guide to Good Practice for Handling, Installing & Bracing of Metal Plate Connected Wood Trusses* from Truss Plate Institute, 583 D'Onofrio Drive, Madison, WI 53719.

Job 20-4531-R01	Truss VT03	Truss Type Valley	Qty 1	Ply 1	LOT 1163 CARRIAGE CIRCLE 108 SPRUCE HOLLOW CIRCLE SPRING LAKE, N # 23872
--------------------	---------------	----------------------	----------	----------	---

ID:MsMZ7fuyNIJd5IEFbR85JwyPq?q-PA4xh6vgxeFWTXIFXVrb5gATcnJa0vTovmfpNyVNPY
8.330 s Mar 10 2020 MiTek Industries, Inc. Thu Oct 8 20:17:05 2020 Page 1



Scale = 1:32.9

LOADING (psf)	SPACING-	CSI.	DEFL.	PLATES	GRIP
TCLL (roof) 20.0	2-0-0	TC 0.20	in (loc) l/defl L/d	MT20	244/190
Snow (Pf) 20.0	Plate Grip DOL 1.15	BC 0.20	Vert(LL) n/a - n/a 999		
TCDL 10.0	Lumber DOL 1.15	WB 0.09	Vert(CT) n/a - n/a 999		
BCLL 0.0 *	Rep Stress Incr YES	Matrix-SH	Horz(CT) 0.00 5 n/a n/a		
BCDL 10.0	Code IRC2018/TPI2014			Weight: 44 lb	FT = 0%

LUMBER-
TOP CHORD 2x4 SP No.2
BOT CHORD 2x4 SP No.3
OTHERS 2x4 SP No.3

BRACING-
TOP CHORD Structural wood sheathing directly applied or 6-0-0 oc purlins.
BOT CHORD Rigid ceiling directly applied or 10-0-0 oc bracing.

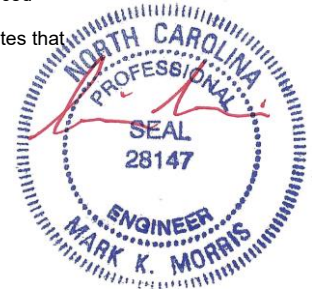
MiTek recommends that Stabilizers and required cross bracing be installed during truss erection, in accordance with Stabilizer Installation guide.

REACTIONS. All bearings 10-4-3.
(lb) - Max Horz 1=-111(LC 8)
Max Uplift All uplift 100 lb or less at joint(s) except 1=-135(LC 10), 5=-115(LC 11), 8=-230(LC 12), 6=-230(LC 13)
Max Grav All reactions 250 lb or less at joint(s) 1, 5, 7 except 8=374(LC 19), 6=373(LC 20)

FORCES. (lb) - Max. Comp./Max. Ten. - All forces 250 (lb) or less except when shown.
WEBS 2-8=-325/293, 4-6=-324/293

- NOTES-** (9-10)
- Unbalanced roof live loads have been considered for this design.
 - Wind: ASCE 7-16; Vult=130mph (3-second gust) Vasd=103mph; TCDL=5.0psf; BCDL=5.0psf; h=23ft; Cat. II; Exp B; Enclosed; MWFRS (envelope) gable end zone and C-C Exterior(2) zone; C-C for members and forces & MWFRS for reactions shown; Lumber DOL=1.60 plate grip DOL=1.60
 - TCLL: ASCE 7-16; Pr=20.0 psf (roof LL: Lum DOL=1.15 Plate DOL=1.15); Pf=20.0 psf (Lum DOL=1.15 Plate DOL=1.15); Is=1.0; Rough Cat B; Partially Exp.; Ce=1.0; Cs=1.00; Ct=1.10
 - Gable requires continuous bottom chord bearing.
 - This truss has been designed for a 10.0 psf bottom chord live load nonconcurrent with any other live loads.
 - * This truss has been designed for a live load of 30.0psf on the bottom chord in all areas where a rectangle 3-6-0 tall by 1-0-0 wide will fit between the bottom chord and any other members.
 - Provide mechanical connection (by others) of truss to bearing plate capable of withstanding 135 lb uplift at joint 1, 115 lb uplift at joint 5, 230 lb uplift at joint 8 and 230 lb uplift at joint 6.
 - This truss is designed in accordance with the 2018 International Residential Code sections R502.11.1 and R802.10.2 and referenced standard ANSI/TPI 1.
 - Graphical web bracing representation does not depict the size, type or the orientation of the brace on the web. Symbol only indicates that the member must be braced.
 - Bearing symbols are only graphical representations of a possible bearing condition. Bearing symbols are not considered in the structural design of the truss to support the loads indicated.

LOAD CASE(S) Standard

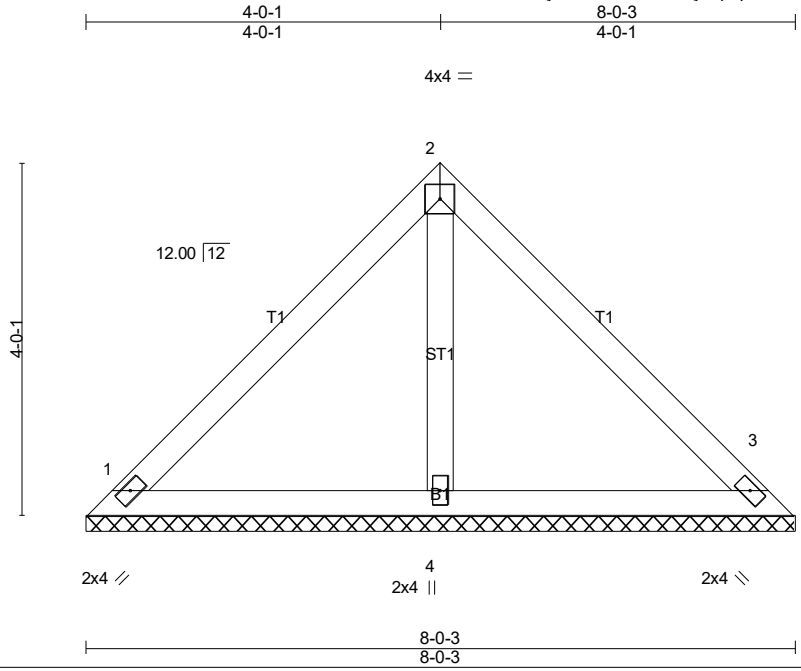


10/7/2020

Warning !—Verify design parameters and read notes before use. This design is based only upon parameters shown, and is for an individual building component to be installed and loaded vertically. Applicability of design parameters and proper incorporation of component is responsibility of building designer – not truss designer or truss engineer. Bracing shown is for lateral support of individual web members only. Additional temporary bracing to ensure stability during construction is the responsibility of the erector. Additional permanent bracing of the overall structure is the responsibility of the building designer. For general guidance regarding fabrication, quality control, storage, delivery, erection and bracing, consult ANSI/TPI 1 *National Design Standard for Metal Plate Connected Wood Truss Construction* and BCSI 1-03 *Guide to Good Practice for Handling, Installing & Bracing of Metal Plate Connected Wood Trusses* from Truss Plate Institute, 583 D'Onofrio Drive, Madison, WI 53719.

Job 20-4531-R01	Truss VT04	Truss Type Valley	Qty 1	Ply 1	LOT 1163 CARRIAGE CIRCLE 108 SPRUCE HOLLOW CIRCLE SPRING LAKE, N	# 23872
--------------------	---------------	----------------------	----------	----------	--	---------

ID:MsMZ7fuyNIJd5IEFbR85JwyPq?q-tMeJvSwliyNN4hHR5D648JDJD077JUsd1ZVCMqyVNPx
8.330 s Mar 10 2020 MiTek Industries, Inc. Thu Oct 8 20:17:06 2020 Page 1



Scale = 1:26.1

LOADING (psf)	SPACING-	CSI.	DEFL.	PLATES	GRIP
TCLL (roof) 20.0	2'-0"	TC 0.26	in (loc) l/defl L/d	MT20	244/190
Snow (Pf) 20.0	Plate Grip DOL 1.15	BC 0.23	Vert(LL) n/a - n/a 999		
TCDL 10.0	Lumber DOL 1.15	WB 0.04	Vert(CT) n/a - n/a 999		
BCLL 0.0 *	Rep Stress Incr YES	Matrix-P	Horz(CT) 0.00 3 n/a n/a		
BCDL 10.0	Code IRC2018/TPI2014			Weight: 32 lb	FT = 0%

LUMBER-
TOP CHORD 2x4 SP No.2
BOT CHORD 2x4 SP No.3
OTHERS 2x4 SP No.3

BRACING-
TOP CHORD
BOT CHORD

Structural wood sheathing directly applied or 6'-0" oc purlins.
Rigid ceiling directly applied or 10'-0" oc bracing.

MiTek recommends that Stabilizers and required cross bracing be installed during truss erection, in accordance with Stabilizer Installation guide.

REACTIONS. (lb/size) 1=176/8-0-3 (min. 0-1-8), 3=176/8-0-3 (min. 0-1-8), 4=233/8-0-3 (min. 0-1-8)
Max Horz 1=-84(LC 8)
Max Uplift1=-45(LC 13), 3=-45(LC 13)

FORCES. (lb) - Max. Comp./Max. Ten. - All forces 250 (lb) or less except when shown.

NOTES- (9-10)

- 1) Unbalanced roof live loads have been considered for this design.
- 2) Wind: ASCE 7-16; Vult=130mph (3-second gust) Vasd=103mph; TCDL=5.0psf; BCDL=5.0psf; h=23ft; Cat. II; Exp B; Enclosed; MWFRS (envelope) gable end zone and C-C Exterior(2) zone; C-C for members and forces & MWFRS for reactions shown; Lumber DOL=1.60 plate grip DOL=1.60
- 3) TCLL: ASCE 7-16; Pr=20.0 psf (roof LL: Lum DOL=1.15 Plate DOL=1.15); Pf=20.0 psf (Lum DOL=1.15 Plate DOL=1.15); Is=1.0; Rough Cat B; Partially Exp.; Ce=1.0; Cs=1.00; Ct=1.10
- 4) Gable requires continuous bottom chord bearing.
- 5) This truss has been designed for a 10.0 psf bottom chord live load nonconcurrent with any other live loads.
- 6) * This truss has been designed for a live load of 30.0psf on the bottom chord in all areas where a rectangle 3'-6" tall by 1'-0" wide will fit between the bottom chord and any other members.
- 7) Provide mechanical connection (by others) of truss to bearing plate capable of withstanding 45 lb uplift at joint 1 and 45 lb uplift at joint 3.
- 8) This truss is designed in accordance with the 2018 International Residential Code sections R502.11.1 and R802.10.2 and referenced standard ANSI/TPI 1.
- 9) Graphical web bracing representation does not depict the size, type or the orientation of the brace on the web. Symbol only indicates that the member must be braced.
- 10) Bearing symbols are only graphical representations of a possible bearing condition. Bearing symbols are not considered in the structural design of the truss to support the loads indicated.

LOAD CASE(S) Standard

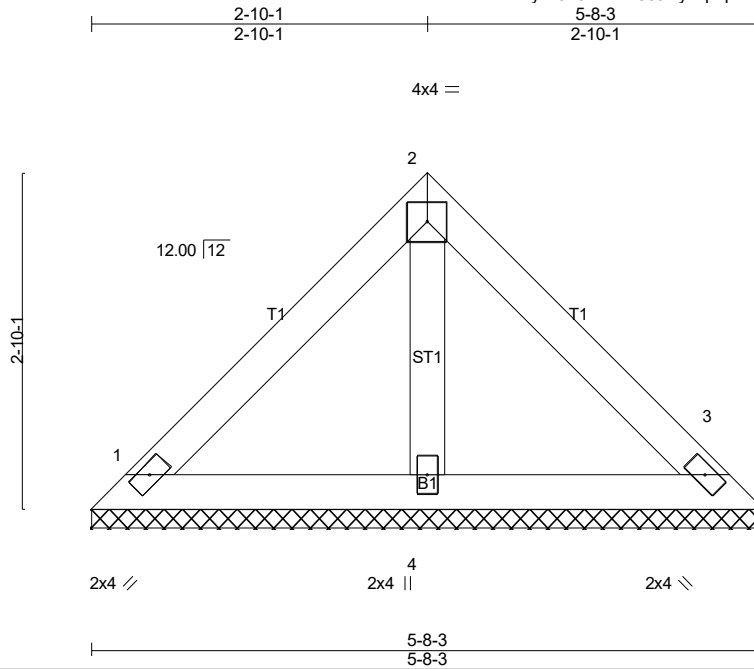


10/7/2020

Warning !—Verify design parameters and read notes before use. This design is based only upon parameters shown, and is for an individual building component to be installed and loaded vertically. Applicability of design parameters and proper incorporation of component is responsibility of building designer – not truss designer or truss engineer. Bracing shown is for lateral support of individual web members only. Additional temporary bracing to ensure stability during construction is the responsibility of the erector. Additional permanent bracing of the overall structure is the responsibility of the building designer. For general guidance regarding fabrication, quality control, storage, delivery, erection and bracing, consult ANSI/TPI 1 *National Design Standard for Metal Plate Connected Wood Truss Construction* and BCSI 1-03 *Guide to Good Practice for Handling, Installing & Bracing of Metal Plate Connected Wood Trusses* from Truss Plate Institute, 583 D'Onofrio Drive, Madison, WI 53719.

Job 20-4531-R01	Truss VT05	Truss Type Valley	Qty 1	Ply 1	LOT 1163 CARRIAGE CIRCLE 108 SPRUCE HOLLOW CIRCLE SPRING LAKE, N	# 23872
--------------------	---------------	----------------------	----------	----------	--	---------

ID:MsMZ7fuyNIJd5IEFbR85JwyPq?q-LYCi6oxwTFVEirsdfwdJhWIXGQVG2xRmGDFluGyVnPW
8.330 s Mar 10 2020 MiTek Industries, Inc. Thu Oct 8 20:17:07 2020 Page 1



Scale = 1:19.4

LOADING (psf)	SPACING-	CSI.	DEFL.	PLATES	GRIP
TCLL (roof) 20.0	2-0-0	TC 0.11	in (loc) l/defl L/d	MT20	244/190
Snow (Pf) 20.0	Plate Grip DOL 1.15	BC 0.11	Vert(LL) n/a - n/a 999		
TCDL 10.0	Lumber DOL 1.15	WB 0.02	Vert(CT) n/a - n/a 999		
BCLL 0.0 *	Rep Stress Incr YES	Matrix-P	Horz(CT) 0.00 3 n/a n/a		
BCDL 10.0	Code IRC2018/TPI2014			Weight: 22 lb	FT = 0%

LUMBER-
TOP CHORD 2x4 SP No.2
BOT CHORD 2x4 SP No.3
OTHERS 2x4 SP No.3

BRACING-
TOP CHORD
BOT CHORD

Structural wood sheathing directly applied or 5-8-3 oc purlins.
Rigid ceiling directly applied or 10-0-0 oc bracing.

MiTek recommends that Stabilizers and required cross bracing be installed during truss erection, in accordance with Stabilizer Installation guide.

REACTIONS. (lb/size) 1=120/5-8-3 (min. 0-1-8), 3=120/5-8-3 (min. 0-1-8), 4=158/5-8-3 (min. 0-1-8)
Max Horz 1=57(LC 9)
Max Uplift1=31(LC 13), 3=31(LC 13)

FORCES. (lb) - Max. Comp./Max. Ten. - All forces 250 (lb) or less except when shown.

NOTES- (9-10)

- Unbalanced roof live loads have been considered for this design.
- Wind: ASCE 7-16; Vult=130mph (3-second gust) Vasd=103mph; TCDL=5.0psf; BCDL=5.0psf; h=23ft; Cat. II; Exp B; Enclosed; MWFRS (envelope) gable end zone and C-C Exterior(2) zone; C-C for members and forces & MWFRS for reactions shown; Lumber DOL=1.60 plate grip DOL=1.60
- TCLL: ASCE 7-16; Pr=20.0 psf (roof LL: Lum DOL=1.15 Plate DOL=1.15); Pf=20.0 psf (Lum DOL=1.15 Plate DOL=1.15); Is=1.0; Rough Cat B; Partially Exp.; Ce=1.0; Cs=1.00; Ct=1.10
- Gable requires continuous bottom chord bearing.
- This truss has been designed for a 10.0 psf bottom chord live load nonconcurrent with any other live loads.
- * This truss has been designed for a live load of 30.0psf on the bottom chord in all areas where a rectangle 3-6-0 tall by 1-0-0 wide will fit between the bottom chord and any other members.
- Provide mechanical connection (by others) of truss to bearing plate capable of withstanding 31 lb uplift at joint 1 and 31 lb uplift at joint 3.
- This truss is designed in accordance with the 2018 International Residential Code sections R502.11.1 and R802.10.2 and referenced standard ANSI/TPI 1.
- Graphical web bracing representation does not depict the size, type or the orientation of the brace on the web. Symbol only indicates that the member must be braced.
- Bearing symbols are only graphical representations of a possible bearing condition. Bearing symbols are not considered in the structural design of the truss to support the loads indicated.

LOAD CASE(S) Standard

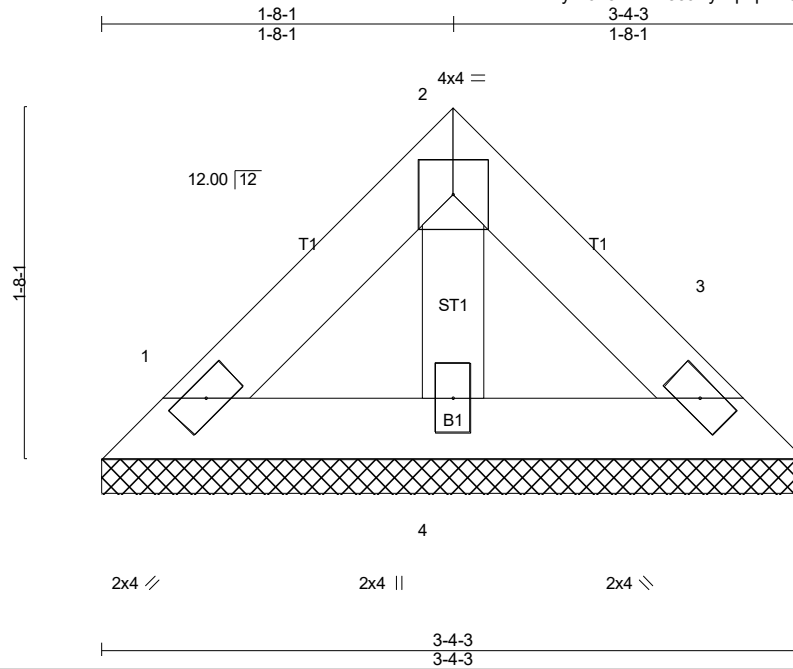


10/7/2020

Warning !—Verify design parameters and read notes before use. This design is based only upon parameters shown, and is for an individual building component to be installed and loaded vertically. Applicability of design parameters and proper incorporation of component is responsibility of building designer – not truss designer or truss engineer. Bracing shown is for lateral support of individual web members only. Additional temporary bracing to ensure stability during construction is the responsibility of the erector. Additional permanent bracing of the overall structure is the responsibility of the building designer. For general guidance regarding fabrication, quality control, storage, delivery, erection and bracing, consult ANSI/TPI 1 *National Design Standard for Metal Plate Connected Wood Truss Construction* and BCSI 1-03 *Guide to Good Practice for Handling, Installing & Bracing of Metal Plate Connected Wood Trusses* from Truss Plate Institute, 583 D'Onofrio Drive, Madison, WI 53719.

Job 20-4531-R01	Truss VT06	Truss Type Valley	Qty 1	Ply 1	LOT 1163 CARRIAGE CIRCLE 108 SPRUCE HOLLOW CIRCLE SPRING LAKE, N	Job Reference (optional) # 23872
--------------------	---------------	----------------------	----------	----------	--	--

8.330 s Mar 10 2020 MiTek Industries, Inc. Thu Oct 8 20:17:07 2020 Page 1
ID:MsMZ7fuyNIJd5IEFbR85JwyPq?q-LYCi6oxwTFVEirsdfwdJhWiybQWS2xcmGDFluGyVNpw



Scale = 1:11.0

LOADING (psf)	SPACING-	CSI.	DEFL.	PLATES	GRIP
TCLL (roof) 20.0	2-0-0	TC 0.03	in (loc) l/defl L/d	MT20	244/190
Snow (Pf) 20.0	Plate Grip DOL 1.15	BC 0.03	Vert(LL) n/a - n/a 999		
TCDL 10.0	Lumber DOL 1.15	WB 0.01	Vert(CT) n/a - n/a 999		
BCLL 0.0 *	Rep Stress Incr YES	Matrix-P	Horz(CT) 0.00 3 n/a n/a		
BCDL 10.0	Code IRC2018/TPI2014			Weight: 12 lb	FT = 0%

LUMBER-
TOP CHORD 2x4 SP No.2
BOT CHORD 2x4 SP No.3
OTHERS 2x4 SP No.3

BRACING-
TOP CHORD
BOT CHORD

Structural wood sheathing directly applied or 3-4-3 oc purlins.
Rigid ceiling directly applied or 10-0-0 oc bracing.

MiTek recommends that Stabilizers and required cross bracing be installed during truss erection, in accordance with Stabilizer Installation guide.

REACTIONS. (lb/size) 1=64/3-4-3 (min. 0-1-8), 3=64/3-4-3 (min. 0-1-8), 4=84/3-4-3 (min. 0-1-8)
Max Horz 1=-30(LC 8)
Max Uplift 1=-16(LC 13), 3=-16(LC 13)

FORCES. (lb) - Max. Comp./Max. Ten. - All forces 250 (lb) or less except when shown.

NOTES- (9-10)

- Unbalanced roof live loads have been considered for this design.
- Wind: ASCE 7-16; Vult=130mph (3-second gust) Vasd=103mph; TCDL=5.0psf; BCDL=5.0psf; h=23ft; Cat. II; Exp B; Enclosed; MWFRS (envelope) gable end zone and C-C Exterior(2) zone; C-C for members and forces & MWFRS for reactions shown; Lumber DOL=1.60 plate grip DOL=1.60
- TCLL: ASCE 7-16; Pr=20.0 psf (roof LL: Lum DOL=1.15 Plate DOL=1.15); Pf=20.0 psf (Lum DOL=1.15 Plate DOL=1.15); Is=1.0; Rough Cat B; Partially Exp.; Ce=1.0; Cs=1.00; Ct=1.10
- Gable requires continuous bottom chord bearing.
- This truss has been designed for a 10.0 psf bottom chord live load nonconcurrent with any other live loads.
- * This truss has been designed for a live load of 30.0psf on the bottom chord in all areas where a rectangle 3-6-0 tall by 1-0-0 wide will fit between the bottom chord and any other members.
- Provide mechanical connection (by others) of truss to bearing plate capable of withstanding 16 lb uplift at joint 1 and 16 lb uplift at joint 3.
- This truss is designed in accordance with the 2018 International Residential Code sections R502.11.1 and R802.10.2 and referenced standard ANSI/TPI 1.
- Graphical web bracing representation does not depict the size, type or the orientation of the brace on the web. Symbol only indicates that the member must be braced.
- Bearing symbols are only graphical representations of a possible bearing condition. Bearing symbols are not considered in the structural design of the truss to support the loads indicated.

LOAD CASE(S) Standard



10/7/2020

Warning !—Verify design parameters and read notes before use. This design is based only upon parameters shown, and is for an individual building component to be installed and loaded vertically. Applicability of design parameters and proper incorporation of component is responsibility of building designer – not truss designer or truss engineer. Bracing shown is for lateral support of individual web members only. Additional temporary bracing to ensure stability during construction is the responsibility of the erector. Additional permanent bracing of the overall structure is the responsibility of the building designer. For general guidance regarding fabrication, quality control, storage, delivery, erection and bracing, consult ANSI/TPI 1 *National Design Standard for Metal Plate Connected Wood Truss Construction* and BCSI 1-03 *Guide to Good Practice for Handling, Installing & Bracing of Metal Plate Connected Wood Trusses* from Truss Plate Institute, 583 D'Onofrio Drive, Madison, WI 53719.