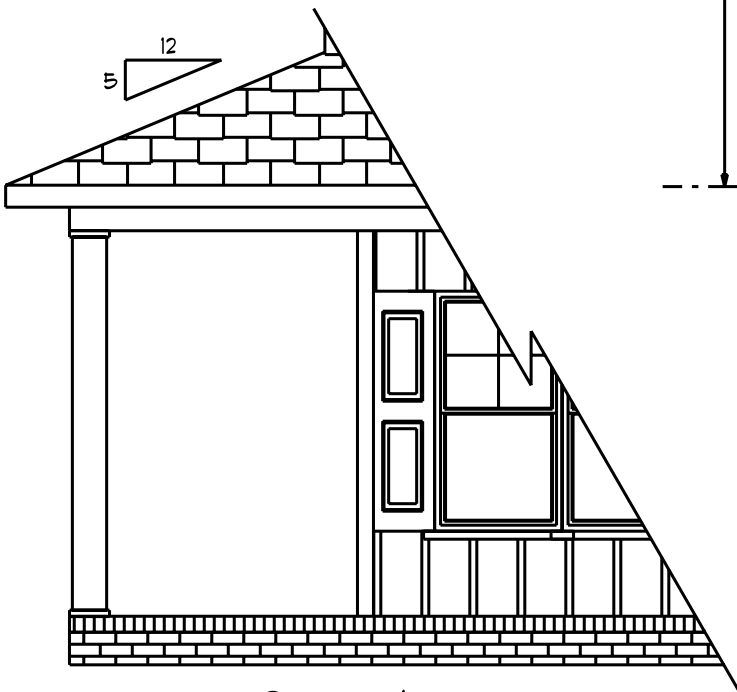


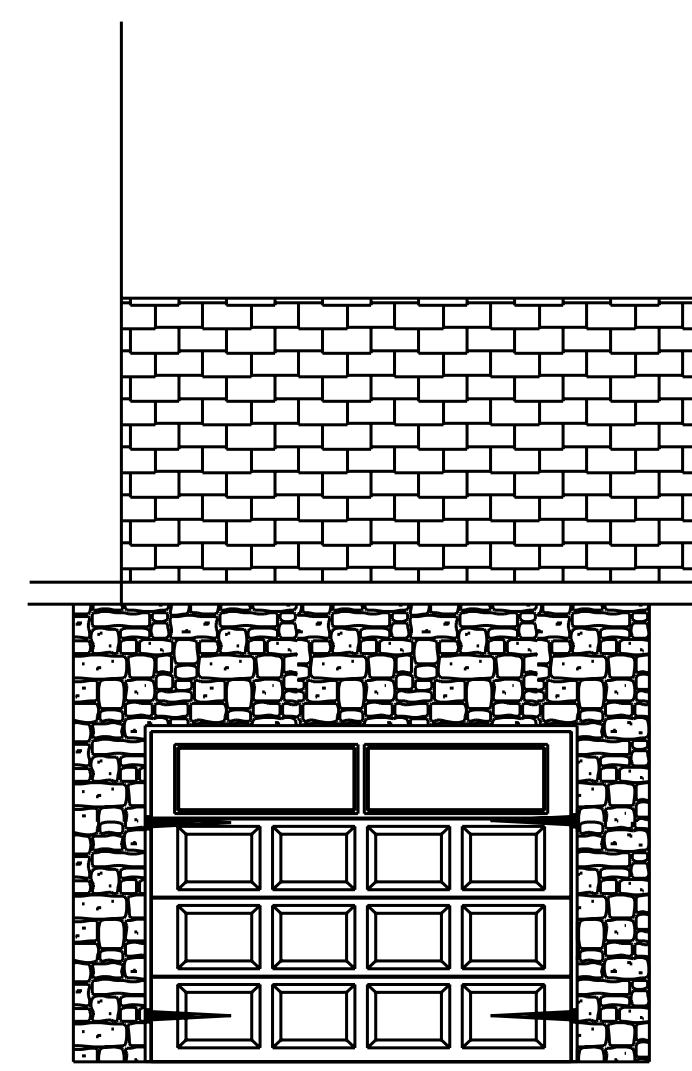
Continuous Ridge Vent



Front Elevation
 Scale: 1/4" = 1'0"



Optional
 Wrap-Around
 Porch



Optional
 3rd Garage

ATTIC VENTILATION

1266 SQ.FT. OF ATTIC / 150 = 8.44 SQ.FT.
 TOTAL NET FREE VENTILATING AREA.

VENTILATION MAY BE REDUCED 50%
 PROVIDED AT LEAST 50 PERCENT AND
 NOT MORE THAN 80 PERCENT OF THE
 REQUIRED VENTILATING AREA IS
 PROVIDED BY VENTILATORS LOCATED IN
 THE UPPER PORTION OF THE SPACE TO
 BE VENTILATED AT LEAST 3'-0" ABOVE
 EAVE OR CORNICE VENTS WITH THE
 BALANCE OF THE REQUIRED VENTILATION
 PROVIDED BY EAVE OR CORNICE VENTS.

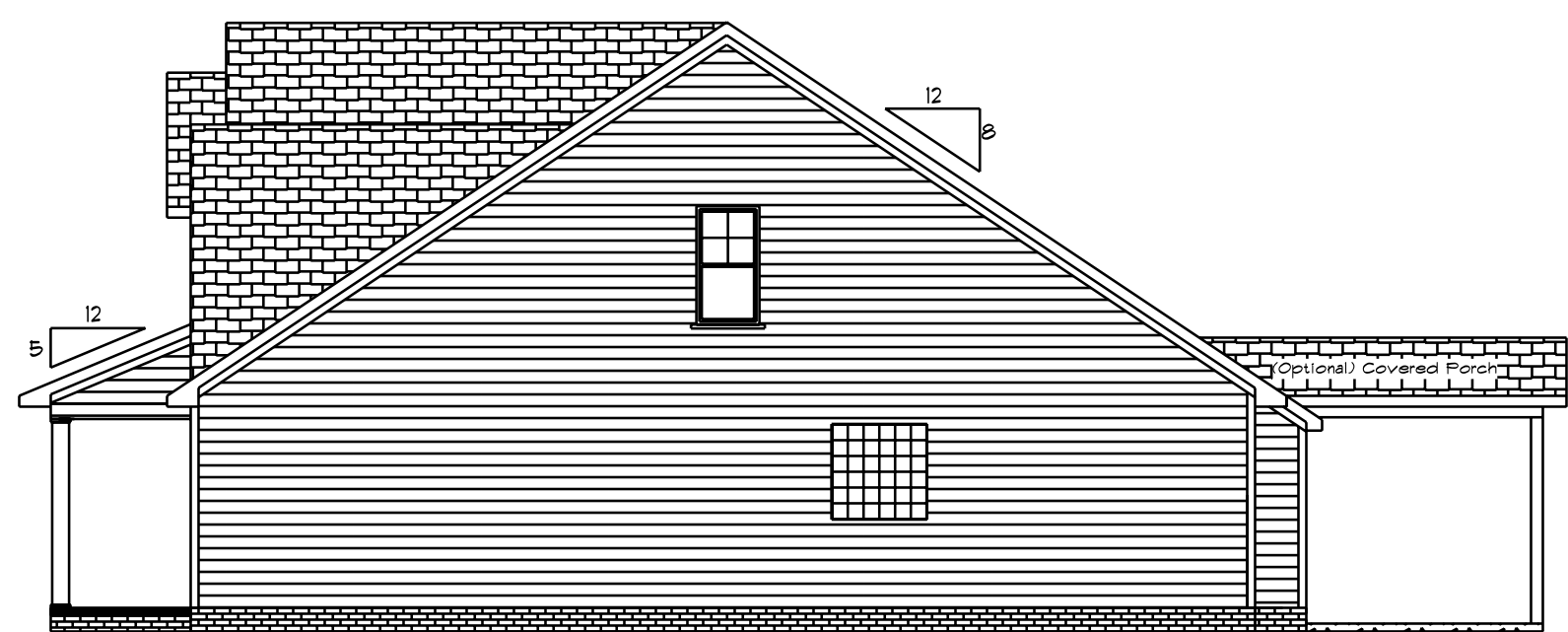
This Plan Is Designed To Meet
 The Requirements Of The 2018
 Residential Building Code

1/2" Continuous Wood Sheathing On
 All exterior Walls
 Exterior Finish Is Vinyl Siding, Vinyl
 Shakes Or Manufactured Stone

Fenestration And Insulation Requirements

Climate Zone	3A	4A
Fenestration U-Factor	0.35	0.35
Glazed Fenestration SHGC	0.3	0.3
Minimum Ceiling R-Value	30	30/38
Minimum Wall R-Value	13	15
Minimum Slab R-Value	0	10
Minimum Floor R-Value	19	19
Glazing Pressure	+/-2lpwf	+/-2lpwf

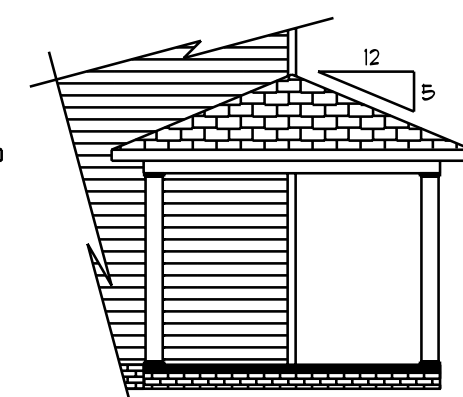
Total Glazing Area = 255.68 Sq.Ft.



Right Elevation
 Scale: 1/8" = 1'0"

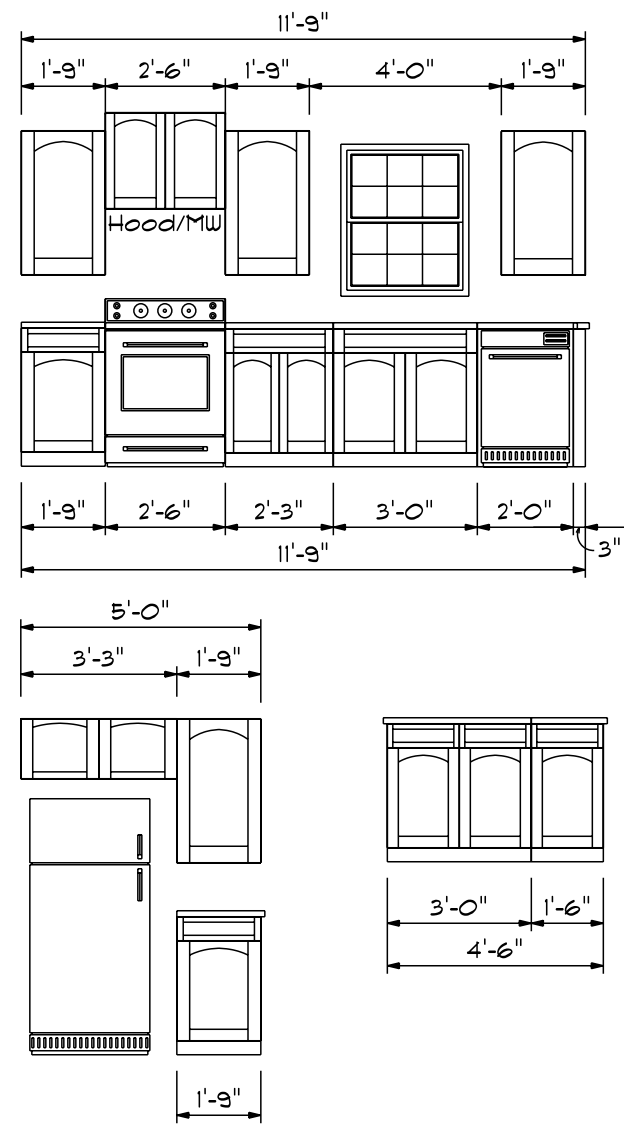


Left Elevation
 Scale: 1/8" = 1'0"



Optional
 Wrap-Around
 Porch

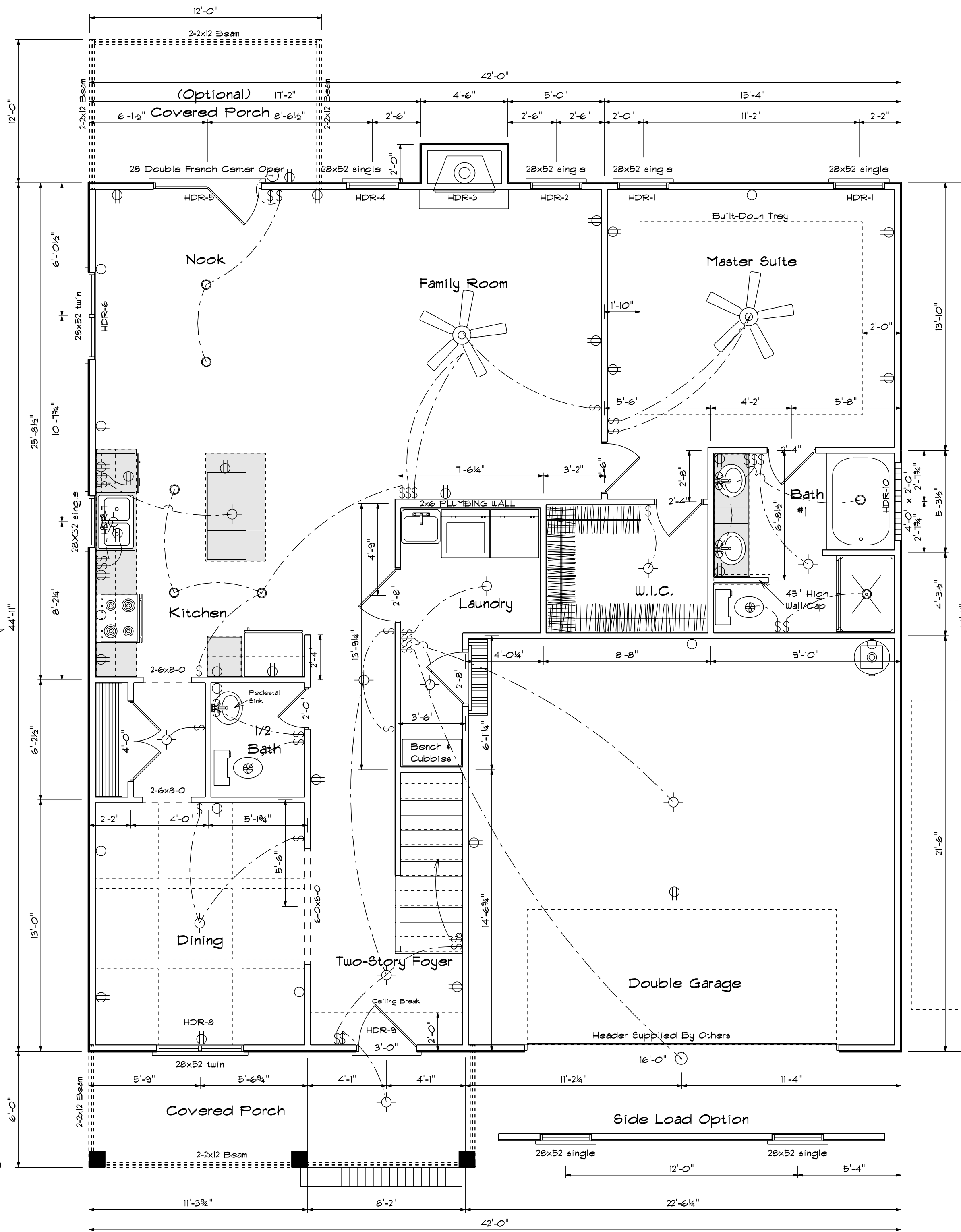
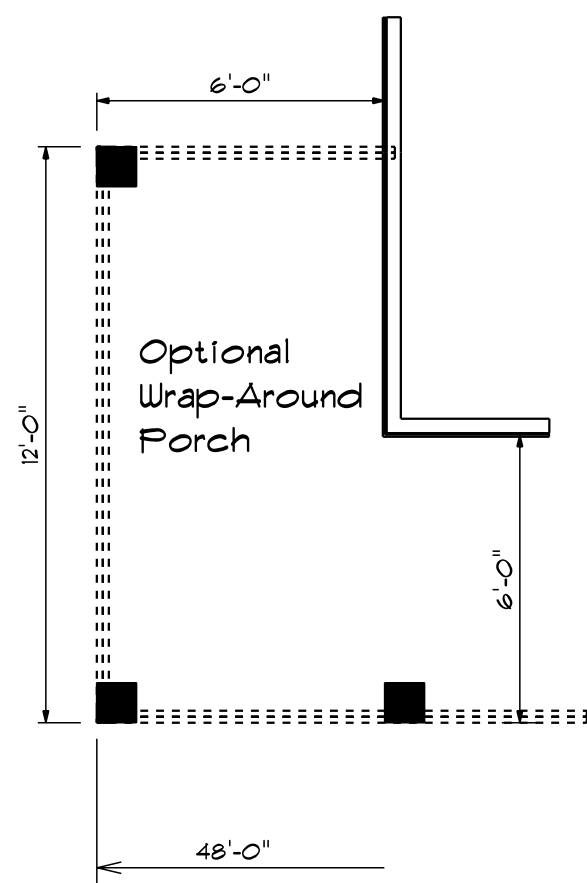
Kitchen Cabinets



First Floor Plan

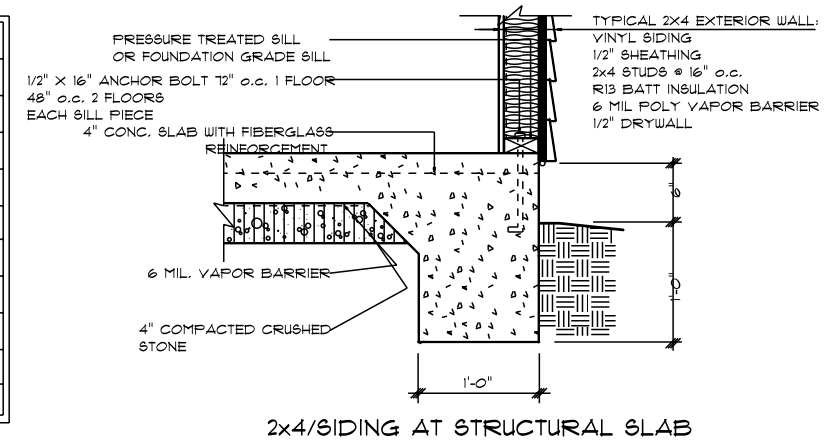
Areas

First Floor	1412
Second Floor	840
Total Heated	2252
With Optional Bdrm #2	2310
Garage	479
Front Porch	115
Optional Third Car Garage	240
Optional Rear Covered Porch	144



All Headers Double #2 Pine With Double Jacks When Length Over 6'-0"

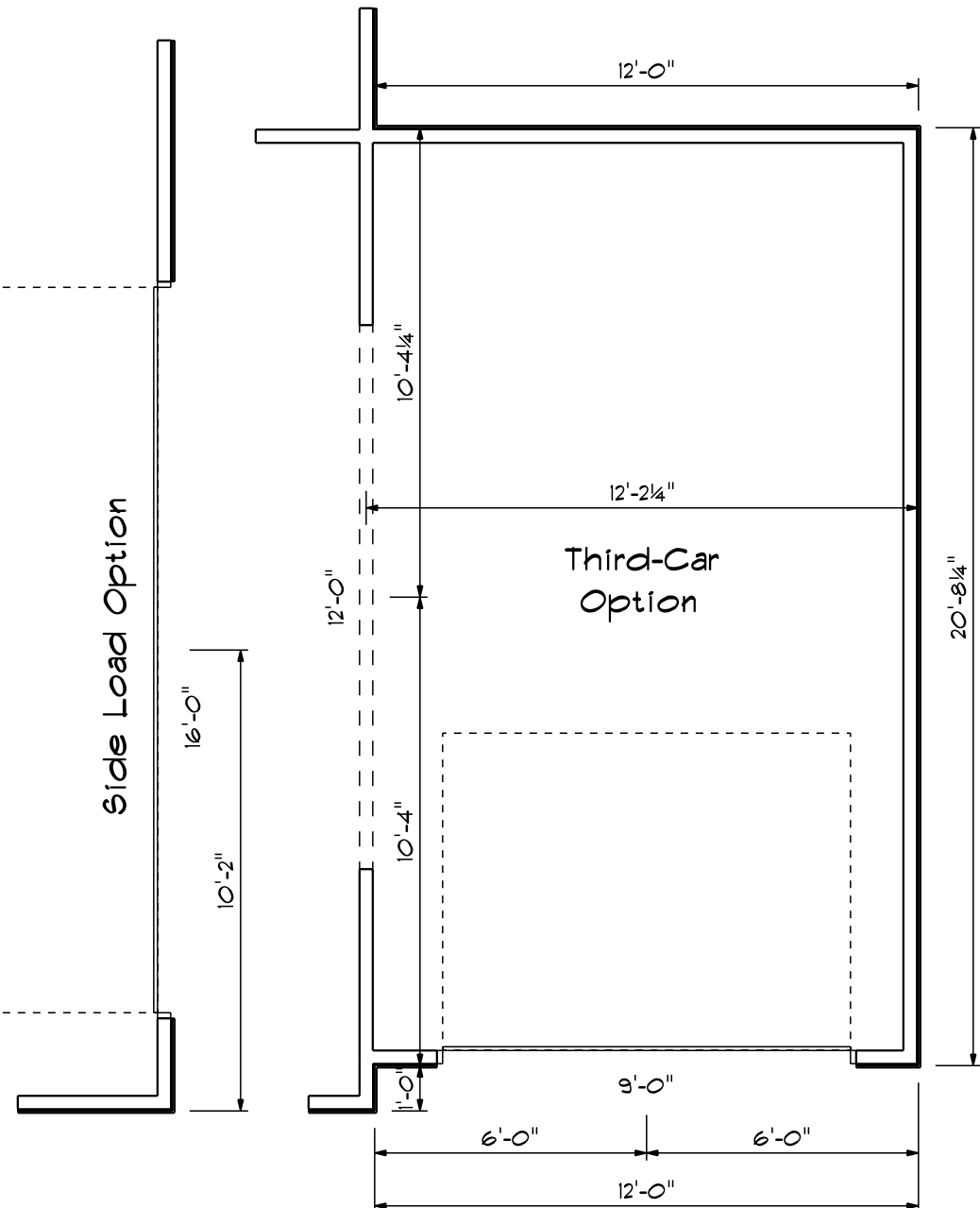
HDR	Size	Length
1	2x10	3'-3 1/2"
2	2x12	3'-3 1/2"
3	2x10	4'-3 1/2"
4	2x10	2'-3 1/2"
5	2x10	5'-7 1/2"
6	2x10	5'-7 1/2"
7	2x10	3'-3 1/2"
8	2x10	5'-7 1/2"
9	2x10	3'-3 1/2"
10	2x10	4'-3 1/2"



Note: ALL EXTERIOR WALLS TO BE SHEATHED WITH 7/16 OSB For Base Wall Support.

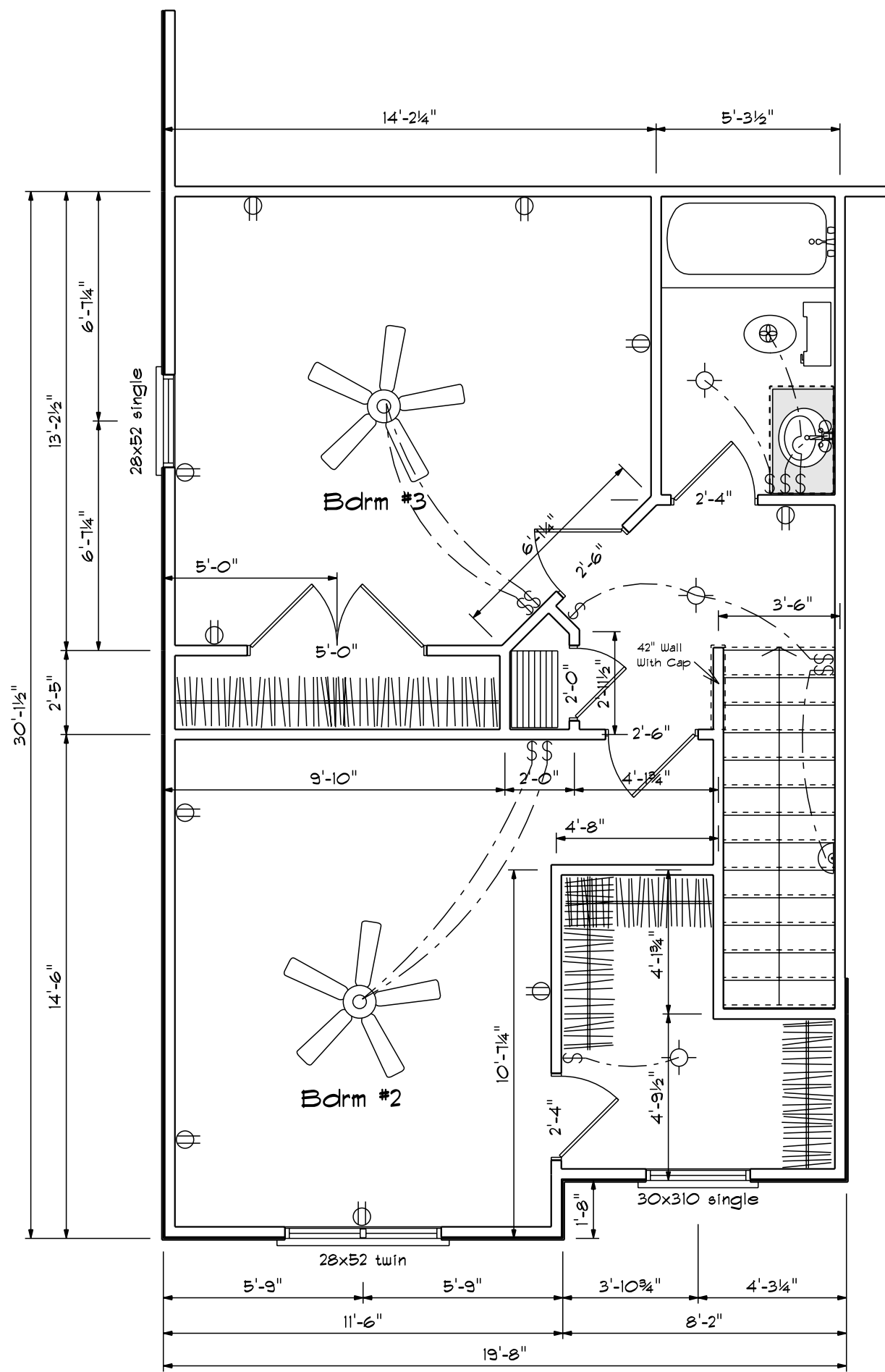
1st Floor Glazing Area = 133.07 Sq.Ft.

PRODUCT CODE	SIZE	COUNT	WIDTH	HEIGHT
60X80 LH ENTRY - 2 SL	5'-0"	1	5'-0"	6'-9 1/2"
28X32 single	2'-8" x 3'-2"	1	2'-8"	3'-2"
28X52 single	2'-8" x 5'-2"	4	2'-8"	5'-2"
28X52 twin	5'-4" x 5'-2"	1	5'-4"	5'-2"
4-0x2-0 Glass Block	4'-0" x 2'-0"	1	4'-0"	2'-0"

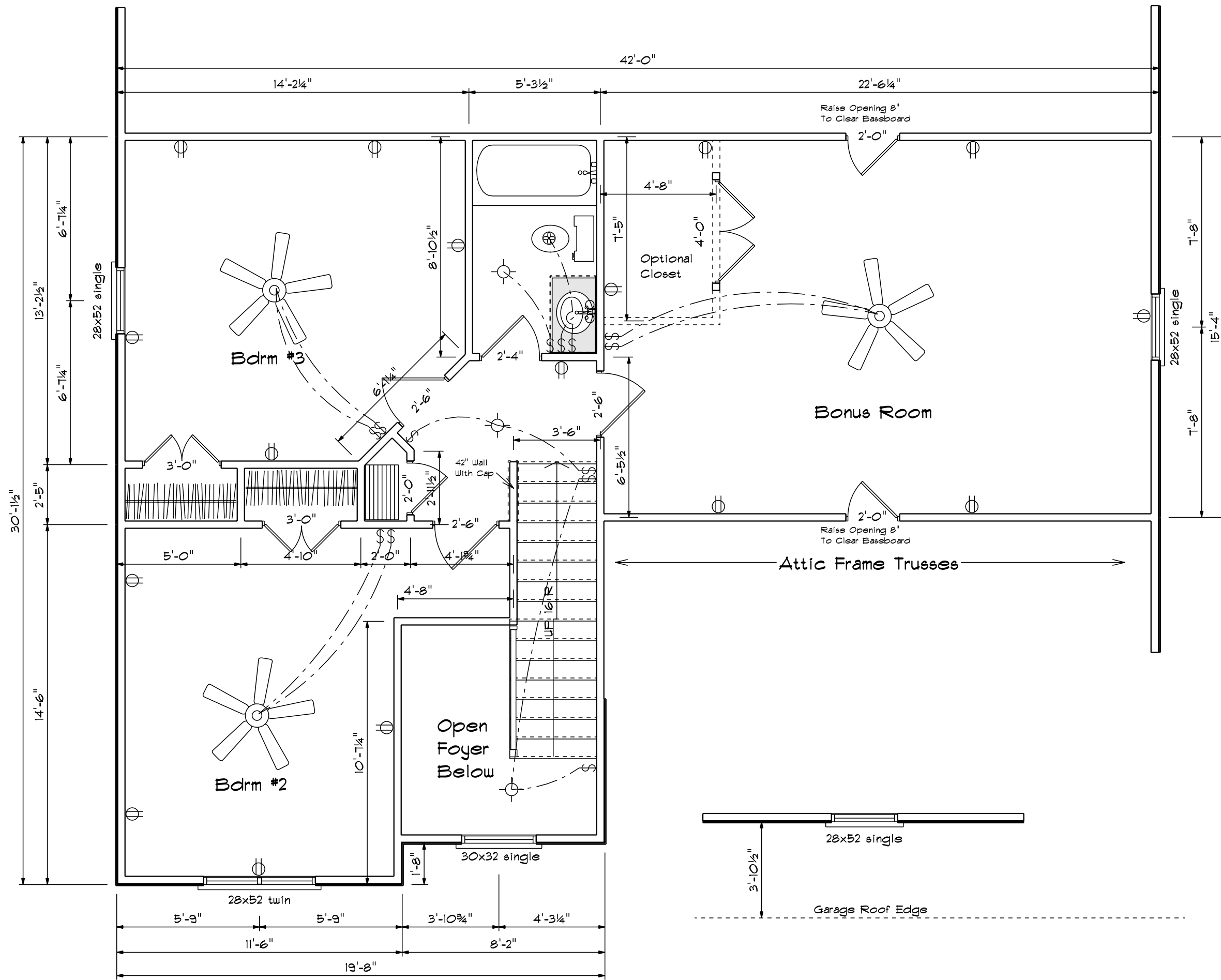


FIRST FLOOR OPENING SCHEDULE			
PRODUCT CODE	SIZE	HINGE	COUNT
32X80 COLONIAL A 1	2'-8"	R	1
36X80 Entry	3'-0"	L	1
28 Double French Center Open	5'-4"	NL	1
108X84 - 4 PANEL - 2 WINDOW (Optional)	9'-0"	U	1
192X84 - 8 PANEL - 4 WINDOW	16'-0"	U	2
2-6 Door Unit	2'-6"	L	1
2-0 Door Unit	2'-0"	L	1
2-4 Door Unit	2'-4"	L	1
2-4 Door Unit	2'-4"	R	2
2-8 Door Unit	2'-8"	L	1
4-0 Double Hung Door Unit	4'-0"	LR	1
28X32 single	2'-8" x 3'-2"	N	1
28x52 single	2'-8" x 5'-2"	N	4
28x52 twin	4'-6" x 5'-2"	NN	2
1-0x4-0 glass block	4'-0" x 2'-0"	N	1

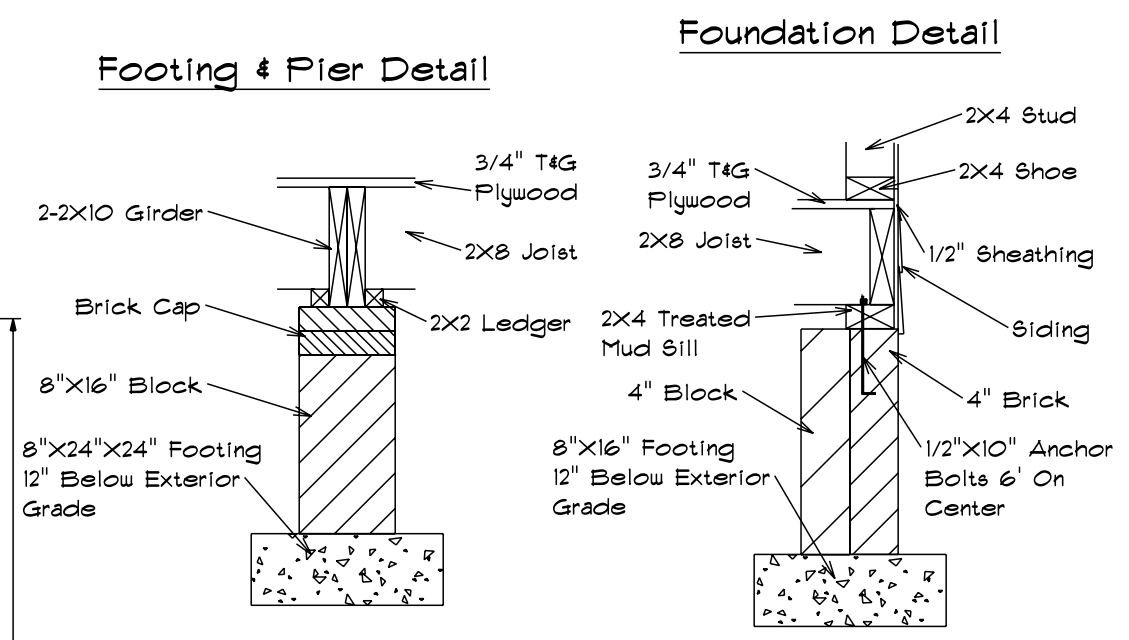
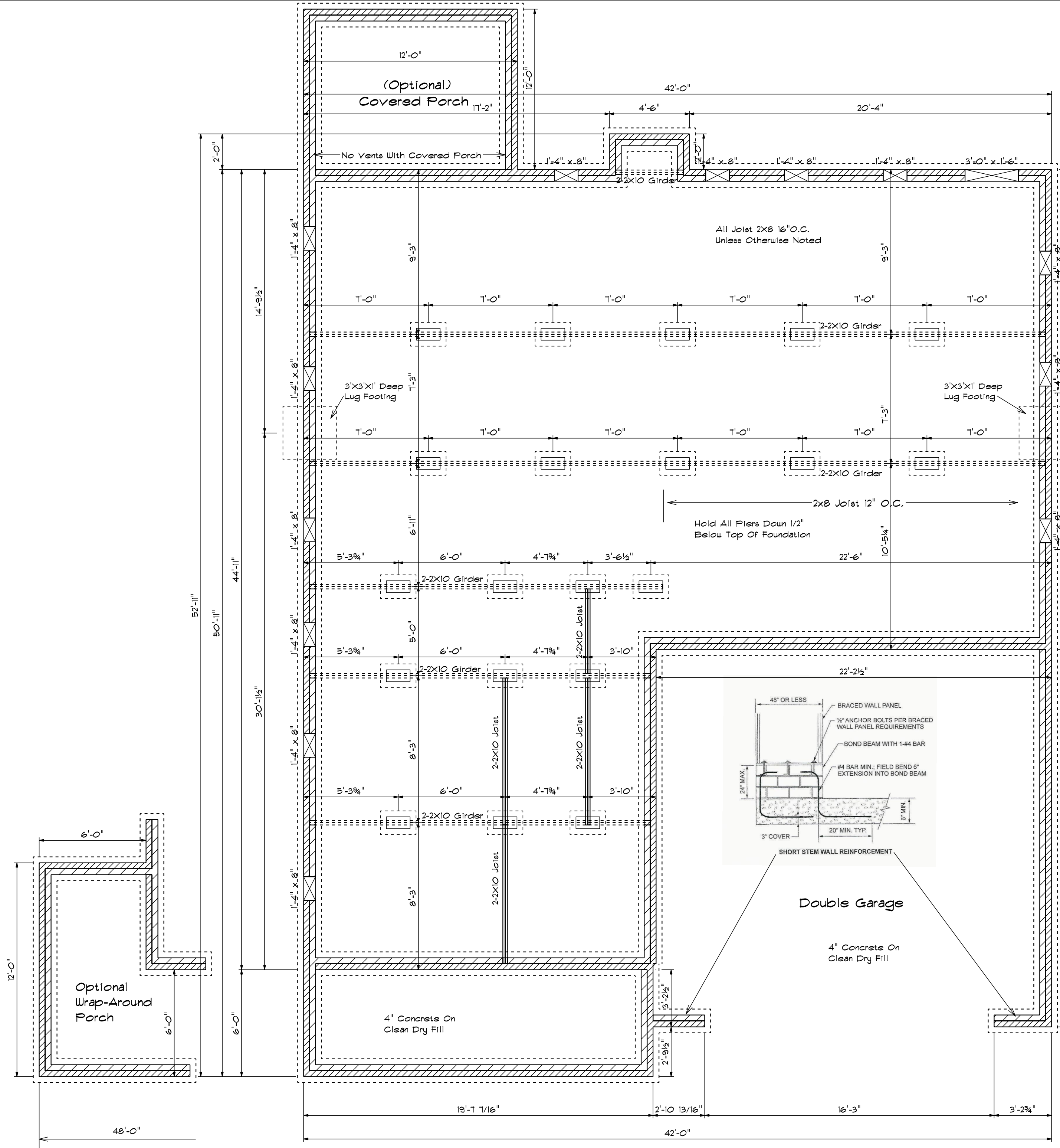
SECOND FLOOR OPENING SCHEDULE			
PRODUCT CODE	SIZE	HINGE	COUNT
2-0 Door Unit	2'-0"	R	1
2-6 Door Unit	2'-6"	R	1
2-0 Door Unit	2'-0"	R	1
2-0 Door Unit	2'-0"	L	1
2-4 Door Unit	2'-4"	L	1
2-6 Door Unit	2'-6"	R	1
2-6 Door Unit	2'-6"	L	1
3-0 Double Hung Door Unit	3'-0"	LR	2
4-0 Double Hung Door Unit	4'-0"	LR	1
28x52 single	2'-8" x 5'-2"	N	1
28x52 single	2'-8" x 5'-2"	N	2
28x52 twin	4'-6" x 5'-2"	NN	1
30x32 single	3'-0" x 3'-2"	N	1



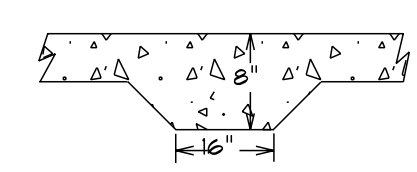
(Optional) Bdrm #2
+ 58 Sq.Ft.



Second Floor Plan

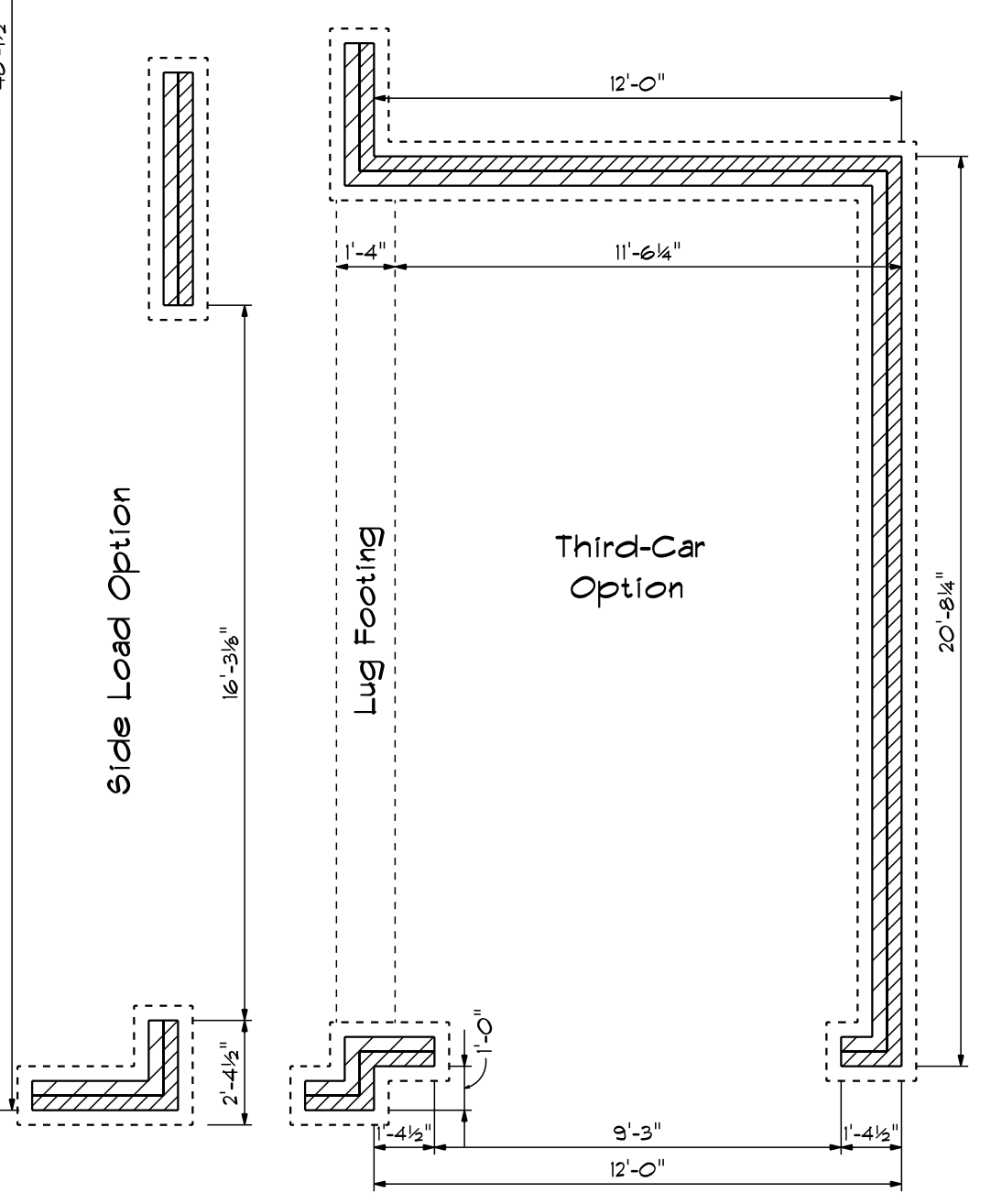


Lug Footing Detail



FOUNDATION VENTILATION

1890 Sq.Ft. Foundation Area
 Requires 12.6 Sq.Ft. Ventilation.
 With 6 Mil. Poly, Plans Indicate
 Vents For Adequate Cross
 Ventilation.



Foundation Plan

Base Designs
 2121 Chimney Pt.
 Linden N.C. 28356
 910-864-1253

DATE 12/22/2020
 REVISIONS
 DRAWING*

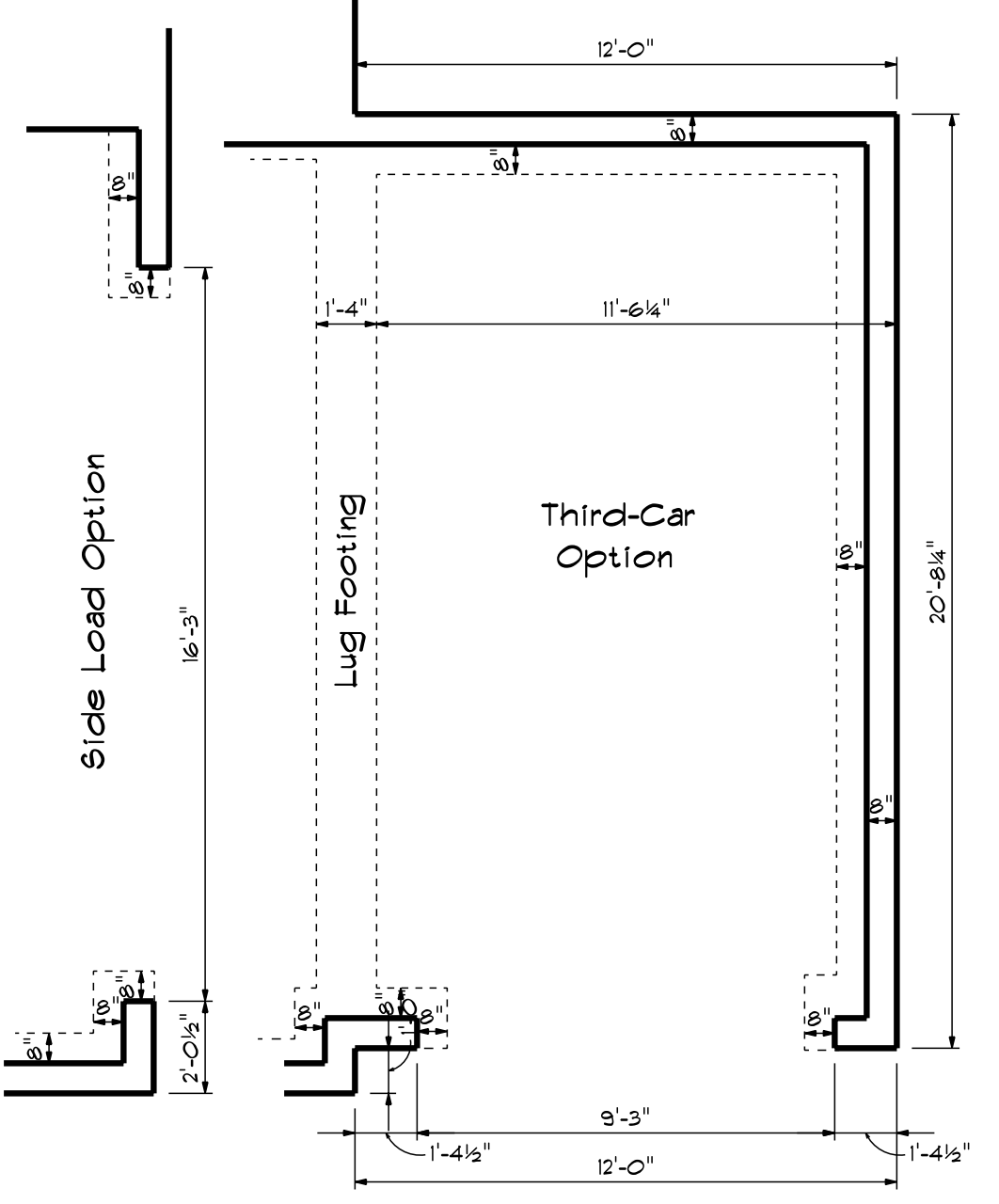
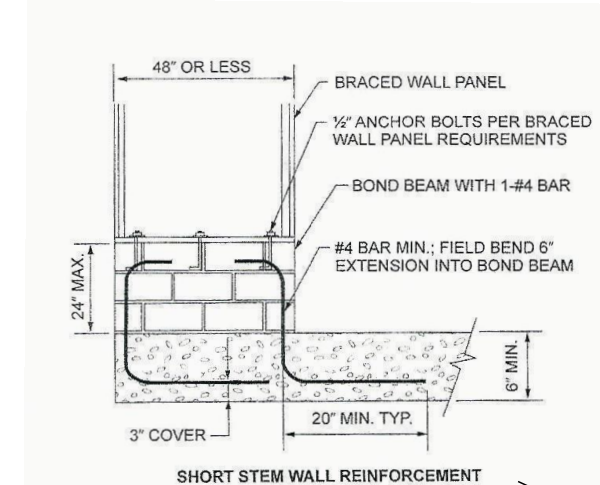
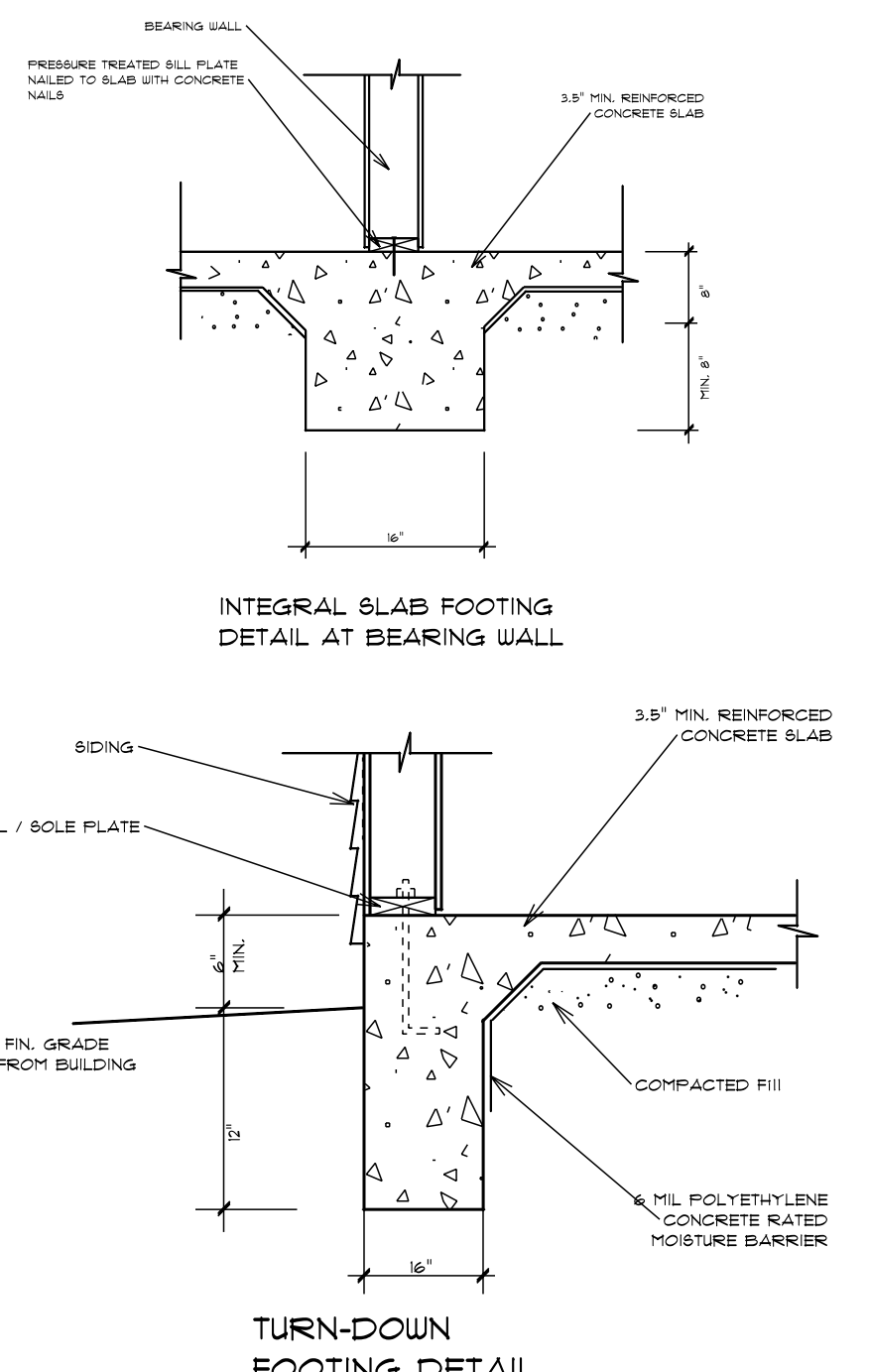
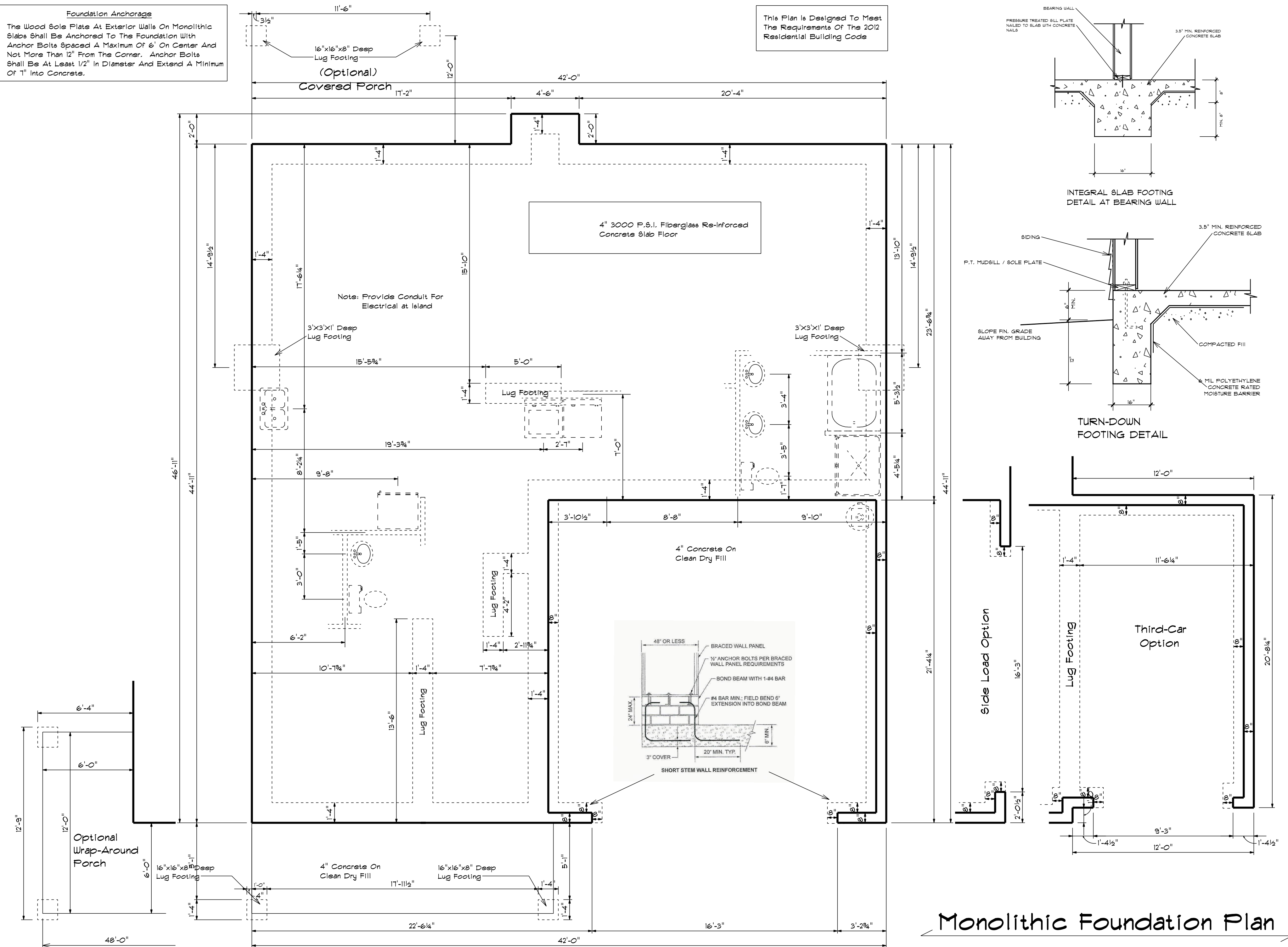
SCALE: 1/4"
 DRAWN BY
 APPROVED

The Stockton XL

Foundation Anchorage

The Wood Sole Plate At Exterior Walls On Monolithic Slabs Shall Be Anchored To The Foundation With Anchor Bolts Spaced A Maximum Of 6' On Center And Not More Than 12" From The Corner. Anchor Bolts Shall Be At Least 1/2" In Diameter And Extend A Minimum Of 7" Into Concrete.

This Plan Is Designed To Meet The Requirements Of The 2012 Residential Building Code



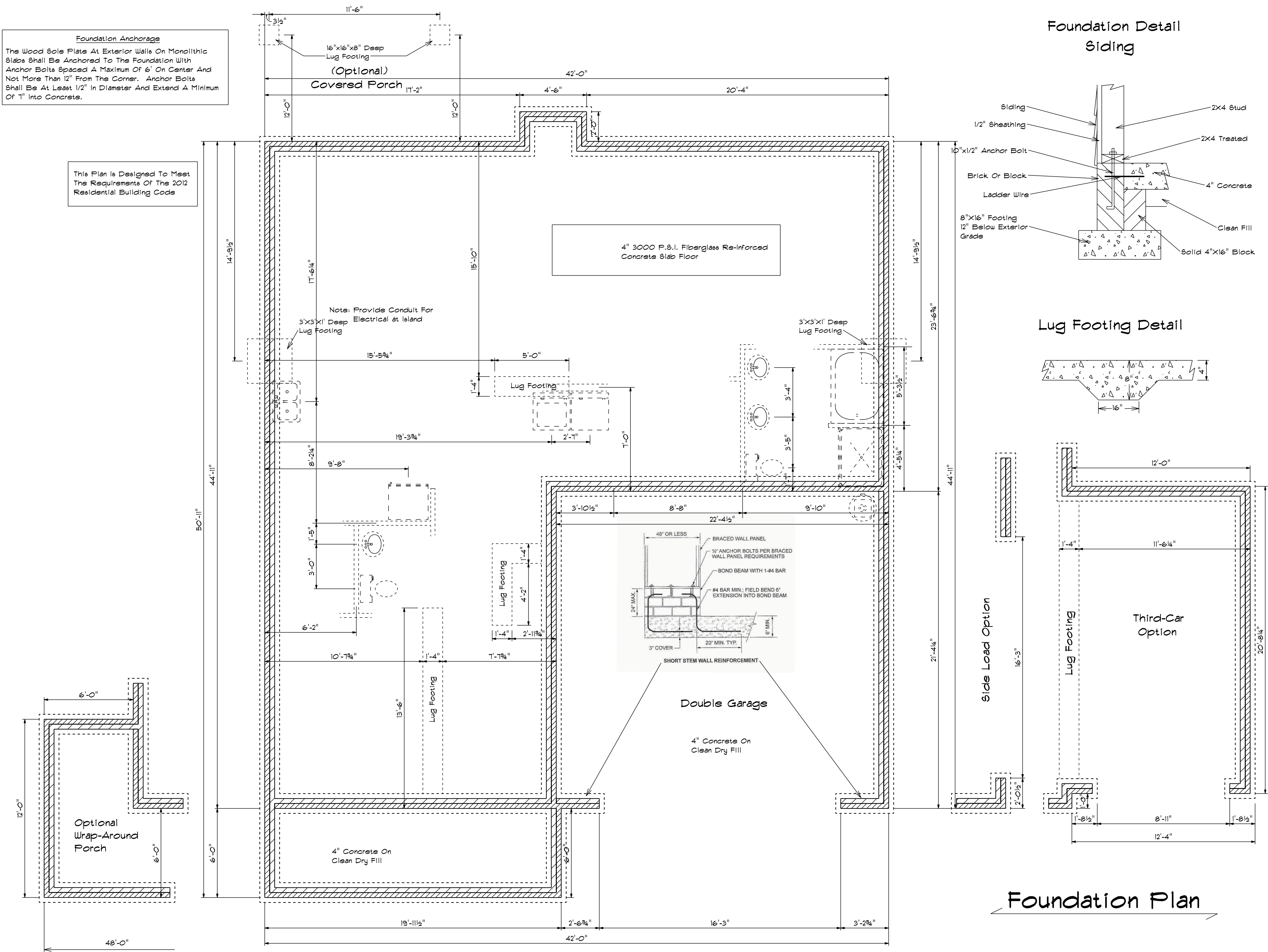
Monolithic Foundation Plan

Base Designs 2727 Chimney Pt. Linden N.C. 28356 910-864-1253	DATE 12/22/2020	SCALE 1/4"
REVISED	DRAWN BY	DRAWING*
APPROVED		

The Stockton XL

Foundation Anchorage
 The Wood Sole Plate At Exterior Walls On Monolithic Slabs Shall Be Anchored To The Foundation With Anchor Bolts Spaced A Maximum Of 6' On Center And Not More Than 12" From The Corner. Anchor Bolts Shall Be At Least 1/2" In Diameter And Extend A Minimum Of 1" Into Concrete.

This Plan Is Designed To Meet The Requirements Of The 2012 Residential Building Code



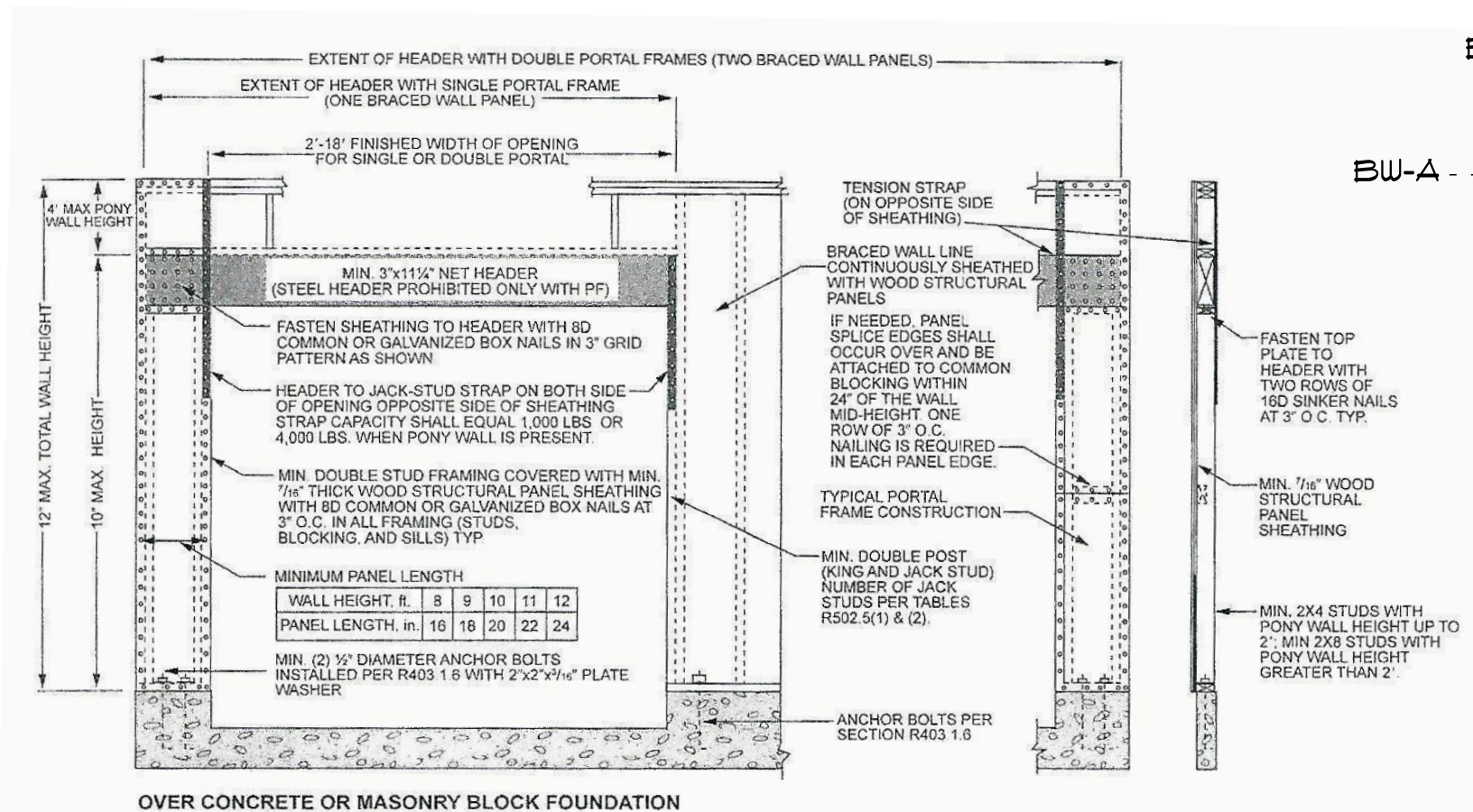
Foundation Plan

Base Designs
 2727 Chimney Pt.
 Linden N.C. 28356
 910-864-1253

DATE 12/21/2020
 REVISED
 DRAWING*

SCALE 1/4"
 DRAWN BY
 APPROVED

The Stockton XL

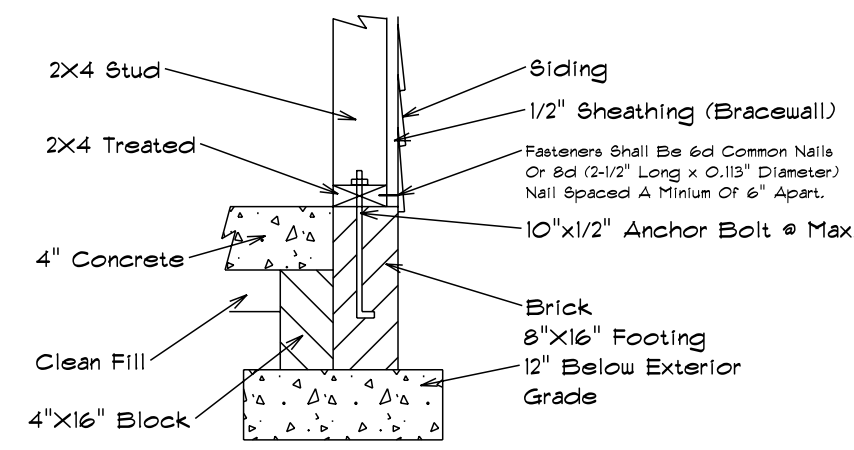


PF Garage Door Framing Method
Per NCRC 2018 Section R602.10

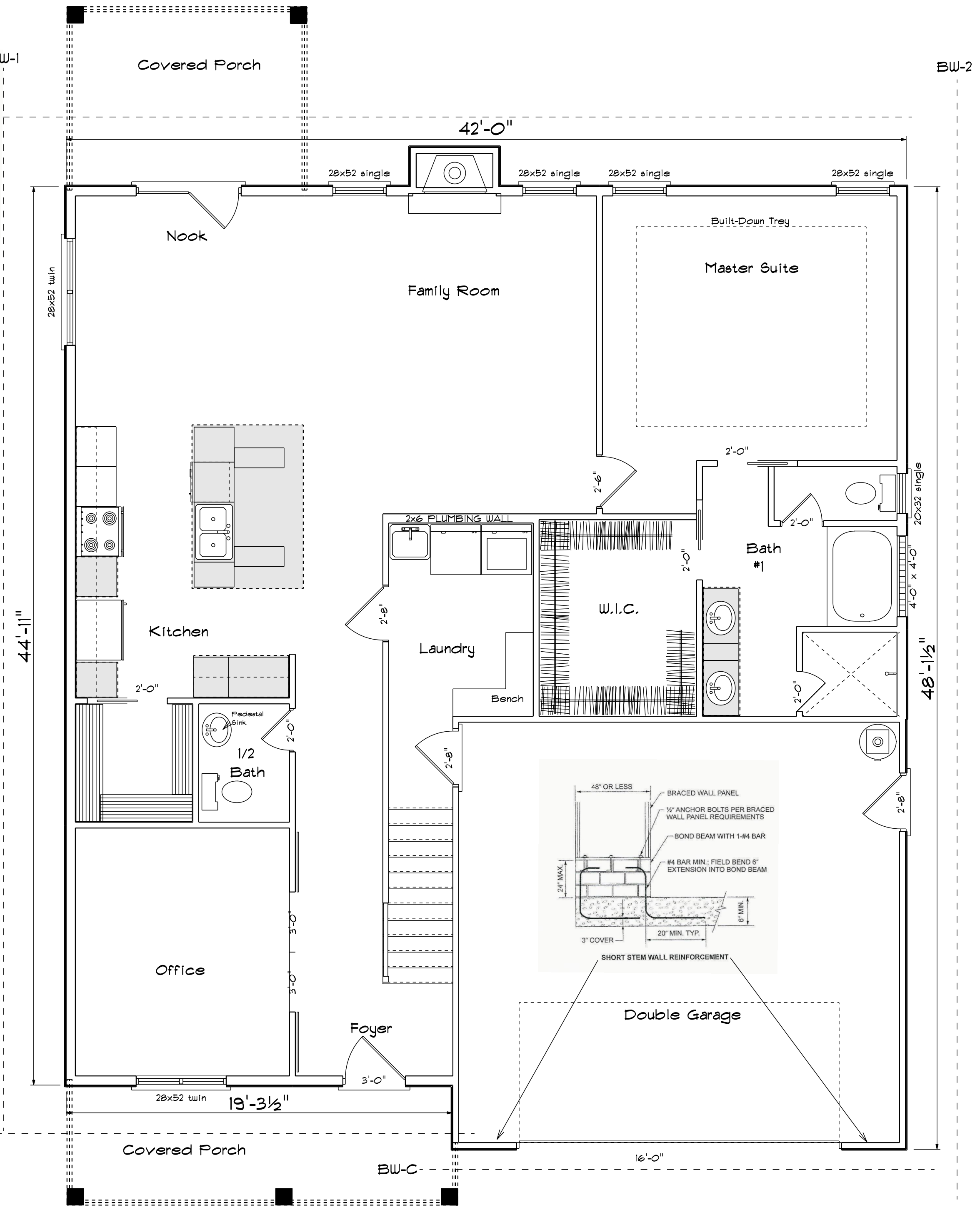
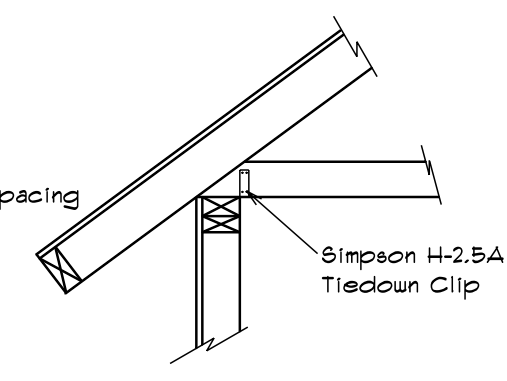
Fasteners Shall Be 6d Common Nails Or 8d (2-1/2" Long x 0.113" Diameter) Nail Spaced A Minimum Of 6" Apart.

Brace Wall	Minimum Length	Panels Required	Length Provided	Panels Provided
BW-A	45'-0"	6.5	42'-0"	10.5
BW-B	20'-0"	3	19'-3"	4.8
BW-C	Portal	PF	Portal	PF
BW-1	45'-0"	6.5	44'-11"	11.2
BW-2	50'-0"	7	48'-2"	12

Foundation Bracewall Attachment



Roof Truss Bracewall Attachment



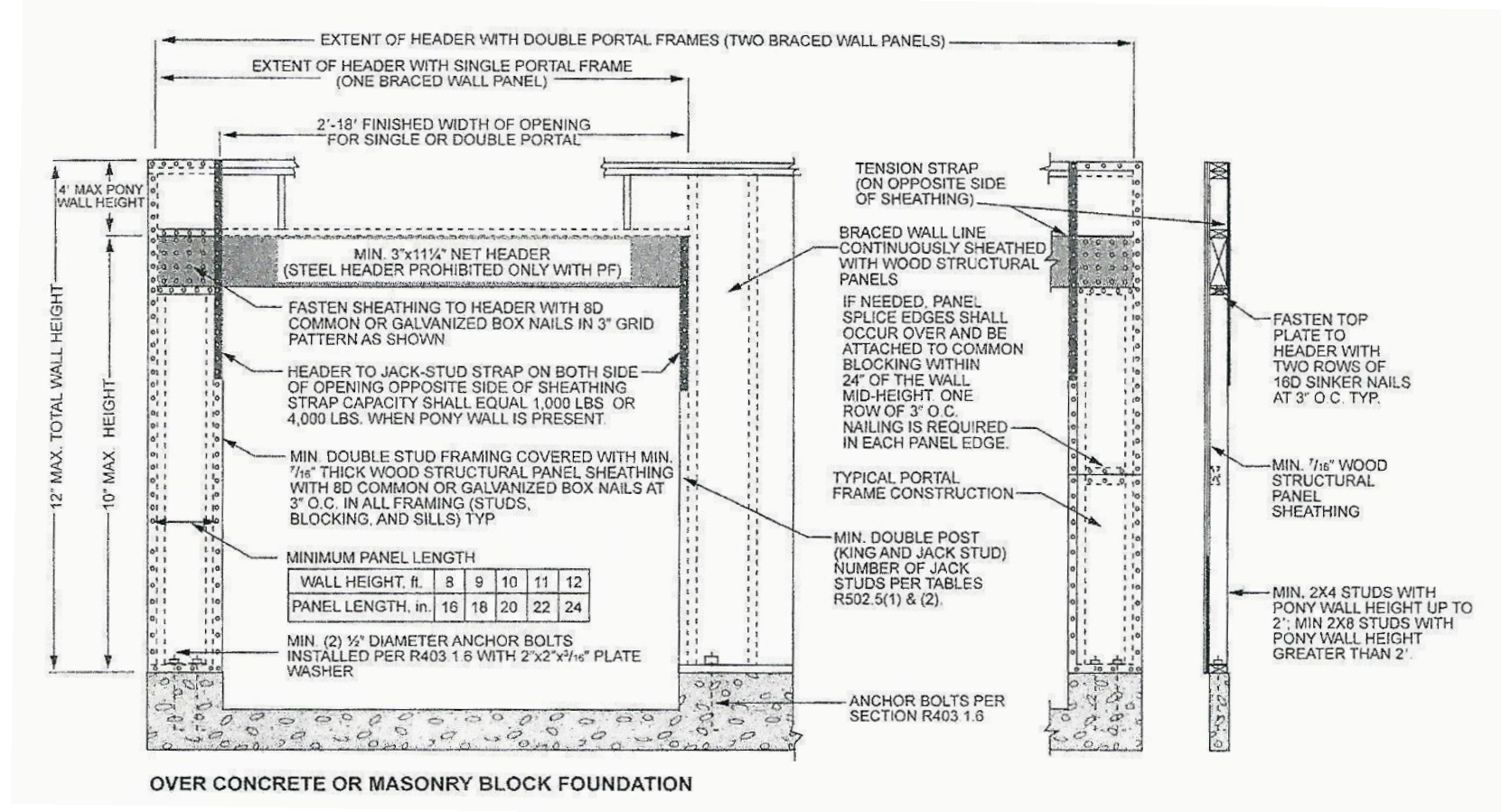
First Floor Brace Wall Plan

Bass Designs
2121 Chimney Pt.
Linden N.C. 28356
910-864-9310

DATE: 12/22/2020
REVISED
DRAWING*

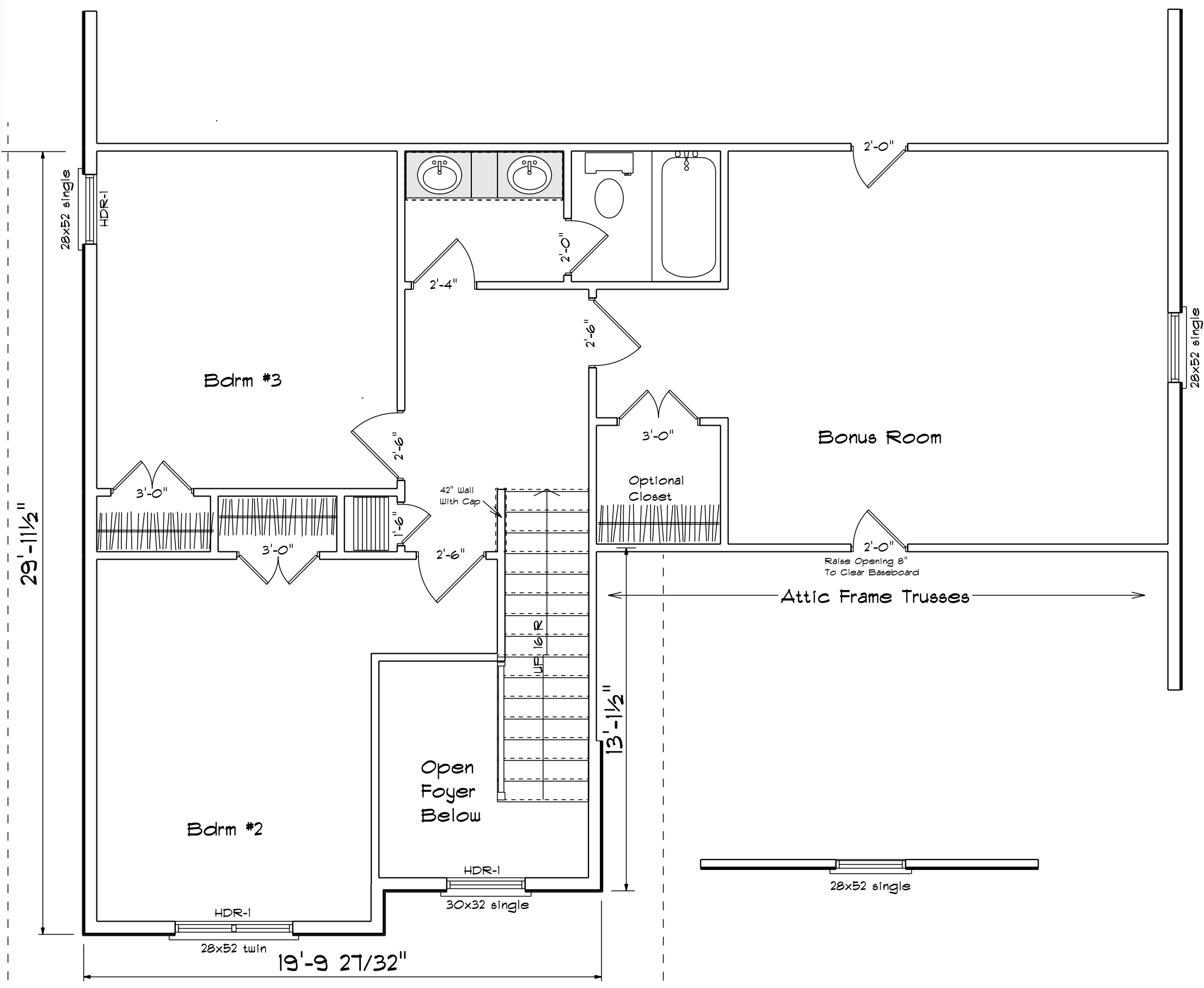
SCALE: 1/4"
DRAWN BY
APPROVED

The Stockton XL

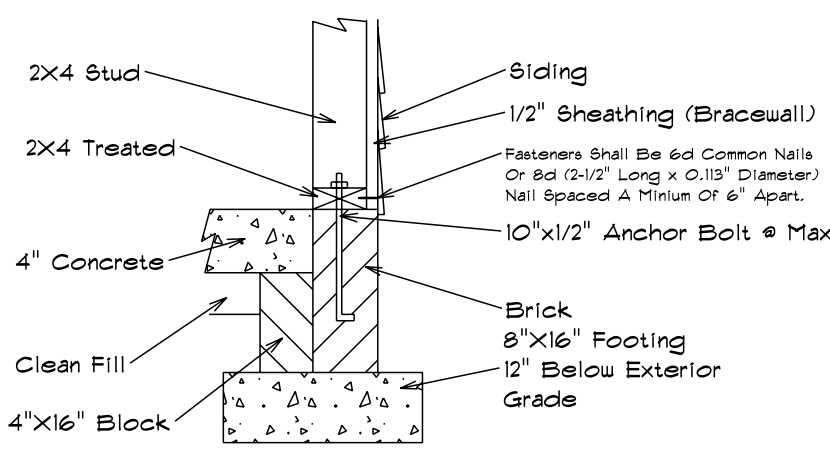


Fasteners Shall Be 6d Common Nails Or 8d (2-1/2" Long x 0.113" Diameter) Nail Spaced A Minium Of 6" Apart.

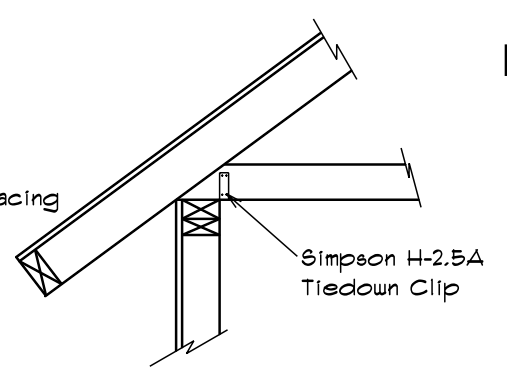
Brace Wall	Minium Length	Panels Required	Length Provided	Panels Provided
BW-A	20'-0"	3	19'-8"	4.9
BW-1	30'-0"	4.5	29'-11"	7.48
BW-2	15'-0"	2.5	13'-1"	3.27



Foundation Bracewall Attachment



Roof Truss Bracewall Attachment



Second Floor Brace Wall Plan