

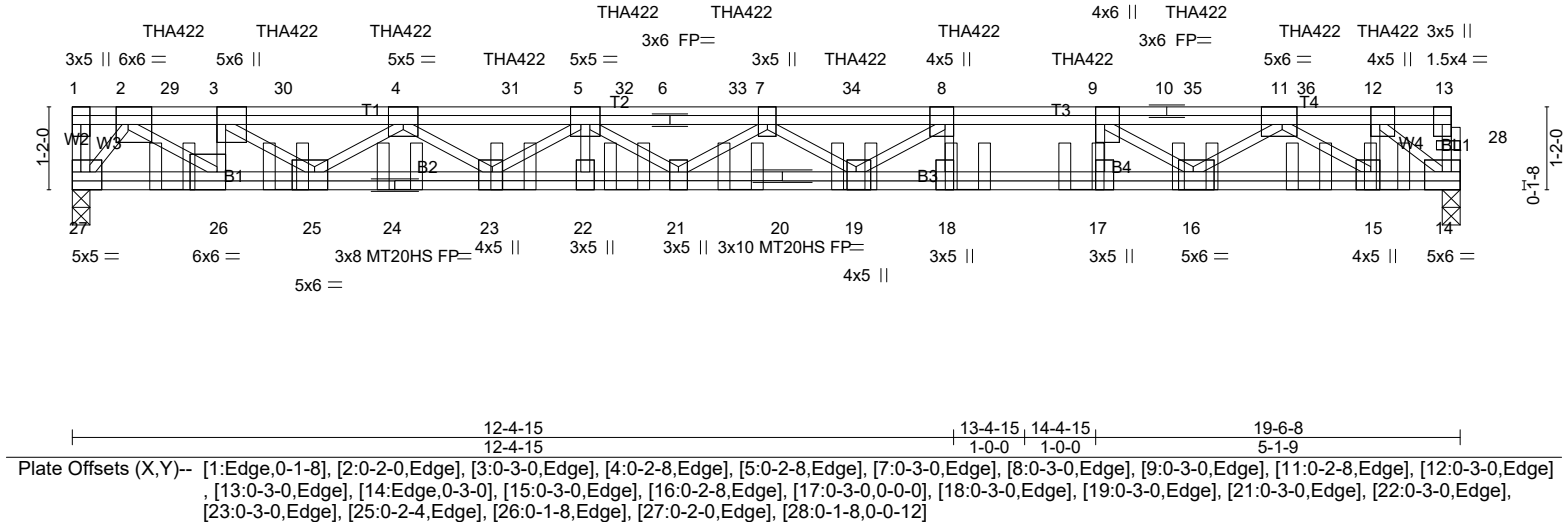
Job 20-6462-A	Truss F01	Truss Type FLOOR GIRDER	Qty 1	Ply 2	GARY ROBINSON-STOCKTON XL-SOUTH CREEK#55 ROOF
------------------	--------------	----------------------------	----------	----------	---

Riverside Roof Truss, LLC, Danville, VA. 24541

Run: 8.330 s Feb 24 2020 Print: 8.330 s Feb 24 2020 MiTek Industries, Inc. Fri Nov 20 17:24:16 2020 Page 1  
ID:wGH07kGIZJUXqaFdBnCYKlyjB-B0u0aeKmE2MMjodVZAGdA\_9dRgthj4y4C510qbyHERj



Scale = 1:32.4



<b>LOADING</b> (psf)	<b>SPACING-</b>	1-7-3	<b>CSI.</b>	<b>DEFL.</b>	in (loc)	l/defl	L/d	<b>PLATES</b>	<b>GRIP</b>	
TCLL 40.0	Plate Grip DOL	1.00	TC 0.35	Vert(LL)	-0.32	19	>715	480	MT20	244/190
TCDL 10.0	Lumber DOL	1.00	BC 0.63	Vert(CT)	-0.45	19	>513	360	MT20HS	187/143
BCLL 0.0	Rep Stress Incr	NO	WB 0.96	Horz(CT)	0.05	14	n/a	n/a		
BCDL 5.0	Code IRC2015/TPI2014		Matrix-S							
									Weight: 306 lb	FT = 20%F, 11%E

**LUMBER-**  
TOP CHORD 2x4 SP DSS(flat)  
BOT CHORD 2x4 SP DSS(flat)  
WEBS 2x4 SP No.3(flat)

**BRACING-**  
TOP CHORD Structural wood sheathing directly applied or 6-0-0 oc purlins, except end verticals.  
BOT CHORD Rigid ceiling directly applied or 10-0-0 oc bracing.

**REACTIONS.** (lb/size) 27=2603/0-3-0 (min. 0-1-8), 14=2764/0-3-0 (min. 0-1-8)

**FORCES.** (lb) - Maximum Compression/Maximum Tension  
TOP CHORD 1-27=0/96, 14-28=0/46, 13-28=0/46, 1-2=0/0, 2-29=-5220/0, 3-29=-5220/0, 3-30=-7769/0, 4-30=-7769/0, 4-31=-11663/0, 5-31=-11663/0, 5-32=-13692/0, 6-32=-13692/0, 6-33=-13692/0, 7-33=-13692/0, 7-34=-13560/0, 8-34=-13560/0, 8-9=-11916/0, 9-10=-8503/0, 10-35=-8503/0, 11-35=-8503/0, 11-36=-3054/0, 12-36=-3054/0, 12-13=0/0  
BOT CHORD 26-27=0/1920, 25-26=0/5220, 24-25=0/10228, 23-24=0/10228, 22-23=0/13117, 21-22=0/13117, 20-21=0/14310, 19-20=0/14310, 18-19=0/11916, 17-18=0/11916, 16-17=0/11916, 15-16=0/6009, 14-15=0/3077  
WEBS 8-18=-1129/0, 9-17=0/1131, 8-19=0/2066, 7-19=-964/0, 7-21=-766/0, 5-21=0/701, 5-22=0/7, 5-23=-1773/0, 4-23=0/1780, 4-25=-3049/0, 3-25=0/3110, 3-26=-2267/0, 2-26=0/4024, 2-27=-3282/0, 9-16=-4162/0, 11-16=0/3093, 11-15=-3605/0, 12-15=0/1766, 12-14=-3887/0

- NOTES-**
- 1) Fasten trusses together to act as a single unit as per standard industry detail, or loads are to be evenly applied to all plies.
  - 2) Unbalanced floor live loads have been considered for this design.
  - 3) All plates are MT20 plates unless otherwise indicated.
  - 4) This truss is designed in accordance with the 2015 International Residential Code sections R502.11.1 and R802.10.2 and referenced standard ANSI/TPI 1.
  - 5) Recommend 2x6 strongbacks, on edge, spaced at 10-0-0 oc and fastened to each truss with 3-10d (0.131" X 3") nails. Strongbacks to be attached to walls at their outer ends or restrained by other means.
  - 6) CAUTION, Do not erect truss backwards.
  - 7) Use Simpson Strong-Tie THA422 (6-16d Girder, 6-10d Truss) or equivalent spaced at 1-7-3 oc max. starting at 1-4-15 from the left end to 18-6-2 to connect truss(es) F12 (1 ply 2x4 SP), F13 (1 ply 2x4 SP), F12 (1 ply 2x4 SP) to back face of top chord.
  - 8) Fill all nail holes where hanger is in contact with lumber.
  - 9) In the LOAD CASE(S) section, loads applied to the face of the truss are noted as front (F) or back (B).

**LOAD CASE(S)** Standard

1) Dead + Floor Live (balanced): Lumber Increase=1.00, Plate Increase=1.00

Uniform Loads (plf)

Vert: 14-27=-8, 1-13=-80

Concentrated Loads (lb)

Vert: 8=-306(B) 9=-306(B) 4=-306(B) 12=-306(B) 29=-306(B) 30=-306(B) 31=-306(B) 32=-306(B) 34=-306(B) 35=-306(B) 36=-306(B)

Job	Truss	Truss Type	Qty	Ply	GARY ROBINSON-STOCKTON XL-SOUTH CREEK#55 ROOF
20-6462-A	F02	GABLE	1	1	Job Reference (optional)

Riverside Roof Truss, LLC, Danville, VA. 24541

Run: 8.330 s Feb 24 2020 Print: 8.330 s Feb 24 2020 MiTek Industries, Inc. Fri Nov 20 17:24:17 2020 Page 1  
ID:wGHO7kGIZJUXqaFdBnCYKlyjubB-faSon\_LO\_LUDKyCi7tosiBiri4MhSiSDQImZM1yHERI

0-1-8

0-1-8

Scale = 1:18.5

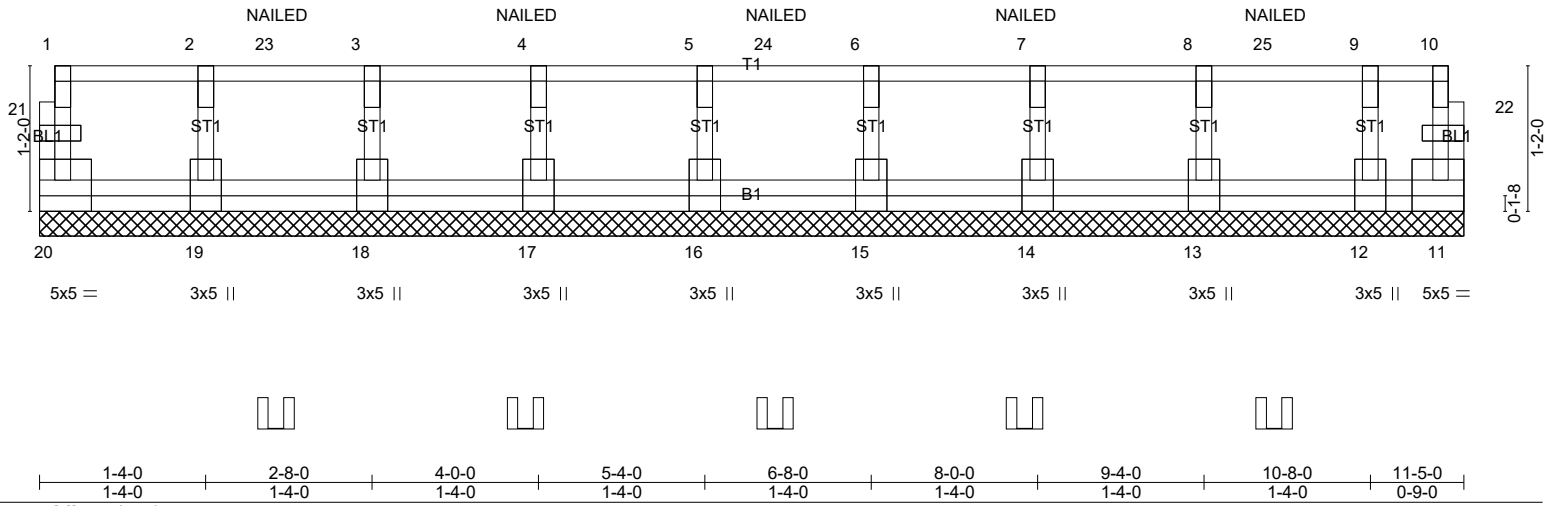


Plate Offsets (X,Y)-- [1:Edge,0-0-12], [11:Edge,0-3-0], [12:0-3-0,Edge], [13:0-3-0,Edge], [14:0-3-0,Edge], [15:0-3-0,Edge], [16:0-3-0,Edge], [17:0-3-0,Edge], [18:0-3-0,Edge], [19:0-3-0,Edge], [20:Edge,0-3-0], [21:0-1-8,0-0-12], [22:0-1-8,0-0-12]

LOADING (psf)	SPACING-	2-0-0	CSI.	DEFL.	in (loc)	l/defl	L/d	PLATES	GRIP	
TCLL 40.0	Plate Grip DOL	1.00	TC 0.19	Vert(LL)	n/a	-	n/a	999	MT20	244/190
TCDL 10.0	Lumber DOL	1.00	BC 0.01	Vert(CT)	n/a	-	n/a	999		
BCLL 0.0	Rep Stress Incr	NO	WB 0.05	Horz(CT)	0.00	11	n/a	n/a		
BCDL 5.0	Code IRC2015/TPI2014		Matrix-R							
									Weight: 64 lb	FT = 20%F, 11%E

LUMBER-	BRACING-
TOP CHORD 2x4 SP No.2(flat)	TOP CHORD Structural wood sheathing directly applied or 6-0-0 oc purlins, except end verticals.
BOT CHORD 2x4 SP No.2(flat)	BOT CHORD Rigid ceiling directly applied or 10-0-0 oc bracing.
WEBS 2x4 SP No.3(flat)	
OTHERS 2x4 SP No.3(flat)	

**REACTIONS.** (lb/size) 20=39/11-5-0 (min. 0-1-8), 11=-5/11-5-0 (min. 0-1-8), 19=217/11-5-0 (min. 0-1-8), 18=197/11-5-0 (min. 0-1-8), 17=219/11-5-0 (min. 0-1-8), 16=215/11-5-0 (min. 0-1-8), 15=197/11-5-0 (min. 0-1-8), 14=218/11-5-0 (min. 0-1-8), 13=219/11-5-0 (min. 0-1-8), 12=177/11-5-0 (min. 0-1-8)  
Max Uplift 11=-5(LC 1)

**FORCES.** (lb) - Maximum Compression/Maximum Tension  
 TOP CHORD 20-21=-37/0, 1-21=-37/0, 11-22=0/13, 10-22=0/13, 2-23=-2/0, 3-23=-2/0, 3-4=-2/0, 4-5=-2/0, 5-24=-2/0, 6-24=-2/0, 6-7=-2/0, 7-8=-2/0, 8-25=-2/0, 9-25=-2/0, 9-10=-2/0  
 BOT CHORD 19-20=0/2, 18-19=0/2, 17-18=0/2, 16-17=0/2, 15-16=0/2, 14-15=0/2, 13-14=0/2, 12-13=0/2, 11-12=0/2  
 WEBS 2-19=-200/0, 3-18=-184/0, 4-17=-205/0, 5-16=-202/0, 6-15=-184/0, 7-14=-205/0, 8-13=-204/0, 9-12=-173/0

- NOTES-**
- All plates are 1.5x4 MT20 unless otherwise indicated.
  - Gable requires continuous bottom chord bearing.
  - Truss to be fully sheathed from one face or securely braced against lateral movement (i.e. diagonal web).
  - Gable studs spaced at 1-4-0 oc.
  - Provide mechanical connection (by others) of truss to bearing plate capable of withstanding 5 lb uplift at joint 11.
  - This truss is designed in accordance with the 2015 International Residential Code sections R502.11.1 and R802.10.2 and referenced standard ANSI/TPI 1.
  - Recommend 2x6 strongbacks, on edge, spaced at 10-0-0 oc and fastened to each truss with 3-10d (0.131" X 3") nails. Strongbacks to be attached to walls at their outer ends or restrained by other means.
  - "NAILED" indicates 3-10d (0.148"x3") or 3-12d (0.148"x3.25") toe-nails per NDS guidelines.
  - In the LOAD CASE(S) section, loads applied to the face of the truss are noted as front (F) or back (B).

**LOAD CASE(S)** Standard  
 1) Dead + Floor Live (balanced): Lumber Increase=1.00, Plate Increase=1.00  
 Uniform Loads (plf)  
 Vert: 11-20=-10, 1-10=-100  
 Concentrated Loads (lb)  
 Vert: 4=-95(F) 7=-95(F) 23=-95(F) 24=-95(F) 25=-95(F)

Job	Truss	Truss Type	Qty	Ply	GARY ROBINSON-STOCKTON XL-SOUTH CREEK#55 ROOF
20-6462-A	F03	Floor Girder	1	1	Job Reference (optional)

Riverside Roof Truss, LLC, Danville, VA. 24541

Run: 8.330 s Feb 24 2020 Print: 8.330 s Feb 24 2020 MiTek Industries, Inc. Fri Nov 20 17:24:18 2020 Page 1  
ID:wGH07kGiZJUXqaFdBnCYKlyjubB-8n0m\_KM1f4y6nuhbJ5FPEygyUyF3cMfOW7uUyHERh

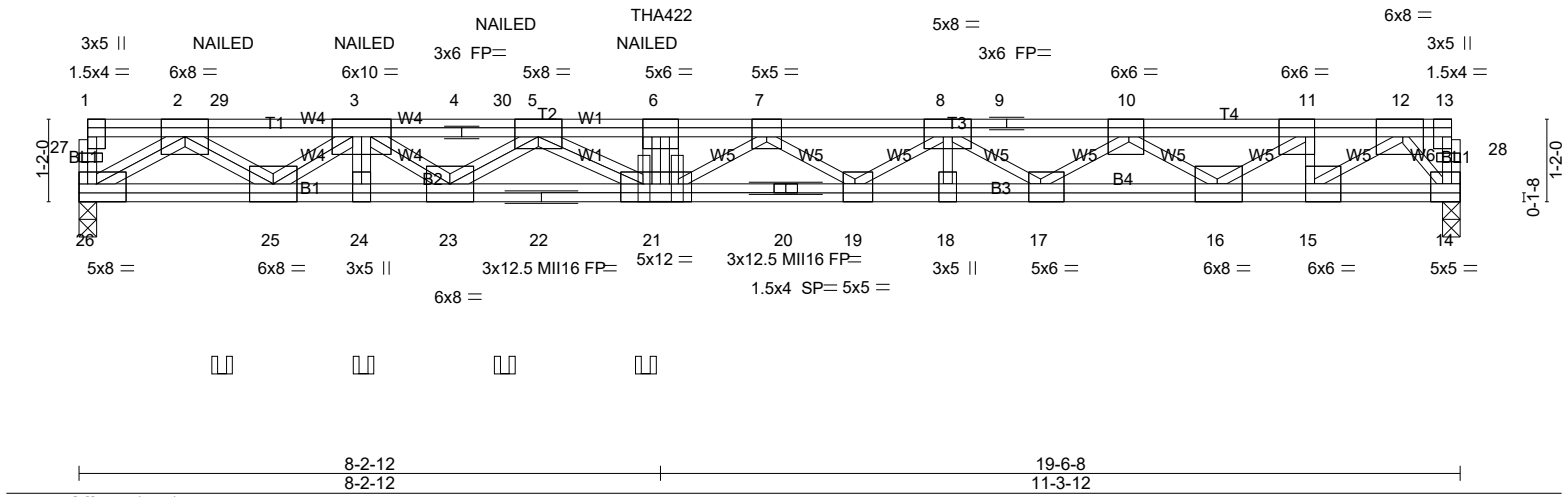


Plate Offsets (X,Y)-- [5:0-4-0,Edge], [6:0-3-0,Edge], [7:0-2-8,Edge], [8:0-4-0,Edge], [10:0-2-8,Edge], [11:0-1-8,Edge], [12:0-3-8,Edge], [13:0-3-0,Edge], [14:0-2-0,Edge], [15:0-1-8,Edge], [16:0-3-12,Edge], [17:0-2-0,Edge], [18:0-3-0,Edge], [19:0-2-0,Edge], [21:0-3-12,Edge], [24:0-3-0,Edge], [26:Edge,0-3-0], [27:0-1-8,0-0-12], [28:0-1-8,0-0-12]

<b>LOADING</b> (psf)	<b>SPACING-</b> 1-7-3	<b>CSI.</b>	<b>DEFL.</b> in (loc) l/defl L/d	<b>PLATES</b>	<b>GRIP</b>
TCLL 40.0	Plate Grip DOL 1.00	TC 0.43	Vert(LL) -0.38 19-21 >602 480	MT20	244/190
TCDL 10.0	Lumber DOL 1.00	BC 0.66	Vert(CT) -0.58 19-21 >395 360	MII16	174/126
BCLL 0.0	Rep Stress Incr NO	WB 0.63	Horz(CT) 0.07 14 n/a n/a		
BCDL 5.0	Code IRC2015/TPI2014	Matrix-S			
				Weight: 171 lb	FT = 20%F, 11%E

**LUMBER-**  
TOP CHORD 2x4 SP DSS(flat)  
BOT CHORD 2x4 SP DSS(flat)  
WEBS 2x4 SP No.3(flat) \*Except\*  
W2,W5: 2x4 SP No.2(flat)

**BRACING-**  
TOP CHORD Structural wood sheathing directly applied or 5-9-0 oc purlins, except end verticals.  
BOT CHORD Rigid ceiling directly applied or 10-0-0 oc bracing.

**REACTIONS.** (lb/size) 26=1855/0-3-0 (min. 0-1-8), 14=1488/0-3-0 (min. 0-1-8)

**FORCES.** (lb) - Maximum Compression/Maximum Tension  
TOP CHORD 26-27=-34/0, 1-27=-34/0, 14-28=0/26, 13-28=0/26, 1-2=-2/0, 2-29=-4804/0, 3-29=-4804/0, 3-4=-8595/0, 4-30=-8595/0, 5-30=-8595/0, 5-6=-11787/0, 6-7=-11917/0, 7-8=-10066/0, 8-9=-7617/0, 9-10=-7617/0, 10-11=-4652/0, 11-12=-2955/0, 12-13=0/0  
BOT CHORD 25-26=0/2702, 24-25=0/6904, 23-24=0/6904, 22-23=0/10221, 21-22=0/10221, 20-21=0/11053, 19-20=0/11053, 18-19=0/8969, 17-18=0/8969, 16-17=0/6283, 15-16=0/2955, 14-15=0/1132  
WEBS 6-21=-1402/0, 2-26=-3244/0, 2-25=0/2614, 3-25=-2597/0, 3-24=-21/0, 3-23=0/2090, 5-23=-2012/0, 5-21=0/1798, 7-21=0/998, 7-19=-1224/0, 8-19=0/1338, 8-18=-19/0, 8-17=-1649/0, 10-17=0/1654, 10-16=-2023/0, 11-16=0/2069, 11-15=-1311/0, 12-15=0/2227, 12-14=-1822/0

- NOTES-**
- 1) All plates are MT20 plates unless otherwise indicated.
  - 2) The Fabrication Tolerance at joint 20 = 11%
  - 3) This truss is designed in accordance with the 2015 International Residential Code sections R502.11.1 and R802.10.2 and referenced standard ANSI/TPI 1.
  - 4) Recommend 2x6 strongbacks, on edge, spaced at 10-0-0 oc and fastened to each truss with 3-10d (0.131" X 3") nails. Strongbacks to be attached to walls at their outer ends or restrained by other means.
  - 5) CAUTION, Do not erect truss backwards.
  - 6) Use Simpson Strong-Tie THA422 (6-16d Girder, 6-10d Truss) or equivalent at 8-2-12 from the left end to connect truss(es) F07 (1 ply 2x4 SP) to back face of top chord.
  - 7) Fill all nail holes where hanger is in contact with lumber.
  - 8) "NAILED" indicates 3-10d (0.148"x3") or 3-12d (0.148"x3.25") toe-nails per NDS guidelines.
  - 9) In the LOAD CASE(S) section, loads applied to the face of the truss are noted as front (F) or back (B).

**LOAD CASE(S)** Standard  
1) Dead + Floor Live (balanced): Lumber Increase=1.00, Plate Increase=1.00  
Uniform Loads (plf)  
Vert: 14-26=-8, 1-13=-80  
Concentrated Loads (lb)  
Vert: 6=-1401(F=-85, B=-1316) 3=-85(F) 29=-85(F) 30=-85(F)

Job 20-6462-A	Truss F04	Truss Type Floor	Qty 5	Ply 1	GARY ROBINSON-STOCKTON XL-SOUTH CREEK#55 ROOF Job Reference (optional)
------------------	--------------	---------------------	----------	----------	---

Riverside Roof Truss, LLC, Danville, VA. 24541

Run: 8.330 s Feb 24 2020 Print: 8.330 s Feb 24 2020 MITek Industries, Inc. Fri Nov 20 17:24:18 2020 Page 1  
ID:wGHO7kGIZJUxqaFdBnCYKlyjubB-8n0m\_KM1f4y6nuhbJ5FPEyDUYOB9EMFOW7uUyHERh



Scale = 1:17.9

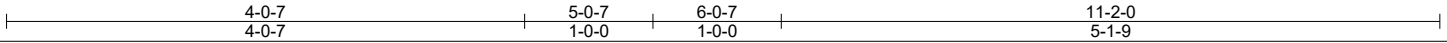
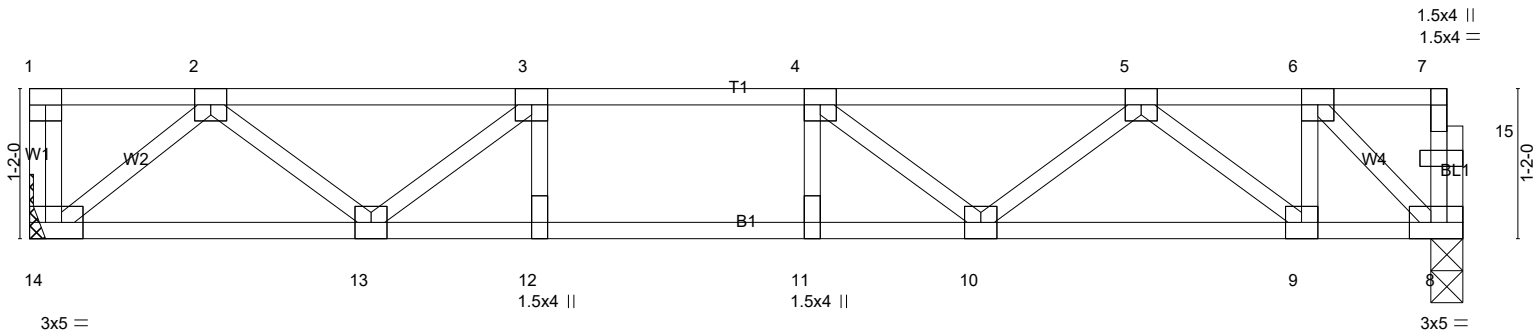


Plate Offsets (X,Y)-- [8:0-2-0,Edge], [14:0-2-0,Edge], [15:0-1-8,0-0-12]

LOADING (psf)	SPACING-	CSI.	DEFL.	in (loc)	l/defl	L/d	PLATES	GRIP
TCLL 40.0	1-7-3	TC 0.39	Vert(LL)	-0.08 10-11	>999	480	MT20	244/190
TCDL 10.0	Plate Grip DOL 1.00	BC 0.68	Vert(CT)	-0.11 10-11	>999	360		
BCLL 0.0	Lumber DOL 1.00	WB 0.20	Horz(CT)	0.02 8	n/a	n/a		
BCDL 5.0	Rep Stress Incr YES	Matrix-S						
	Code IRC2015/TPI2014						Weight: 58 lb	FT = 20%F, 11%E

**LUMBER-**  
 TOP CHORD 2x4 SP No.2(flat)  
 BOT CHORD 2x4 SP No.2(flat)  
 WEBS 2x4 SP No.3(flat)

**BRACING-**  
 TOP CHORD Structural wood sheathing directly applied or 6-0-0 oc purlins, except end verticals.  
 BOT CHORD Rigid ceiling directly applied or 10-0-0 oc bracing.

**REACTIONS.** (lb/size) 14=480/Mechanical, 8=475/0-3-0 (min. 0-1-8)

**FORCES.** (lb) - Maximum Compression/Maximum Tension  
 TOP CHORD 1-14=-30/0, 8-15=-41/0, 7-15=-41/0, 1-2=0/0, 2-3=-872/0, 3-4=-1229/0, 4-5=-1086/0, 5-6=-445/0, 6-7=-2/0  
 BOT CHORD 13-14=0/542, 12-13=0/1229, 11-12=0/1229, 10-11=0/1229, 9-10=0/893, 8-9=0/445  
 WEBS 3-12=-29/129, 4-11=-107/53, 3-13=-471/0, 2-13=0/429, 2-14=-698/0, 4-10=-280/0, 5-10=0/263, 5-9=-572/0, 6-9=0/367, 6-8=-619/0

- NOTES-**
- Unbalanced floor live loads have been considered for this design.
  - All plates are 3x3 MT20 unless otherwise indicated.
  - Refer to girder(s) for truss to truss connections.
  - This truss is designed in accordance with the 2015 International Residential Code sections R502.11.1 and R802.10.2 and referenced standard ANSI/TPI 1.
  - Recommend 2x6 strongbacks, on edge, spaced at 10-0-0 oc and fastened to each truss with 3-10d (0.131" X 3") nails. Strongbacks to be attached to walls at their outer ends or restrained by other means.
  - CAUTION, Do not erect truss backwards.

**LOAD CASE(S)** Standard

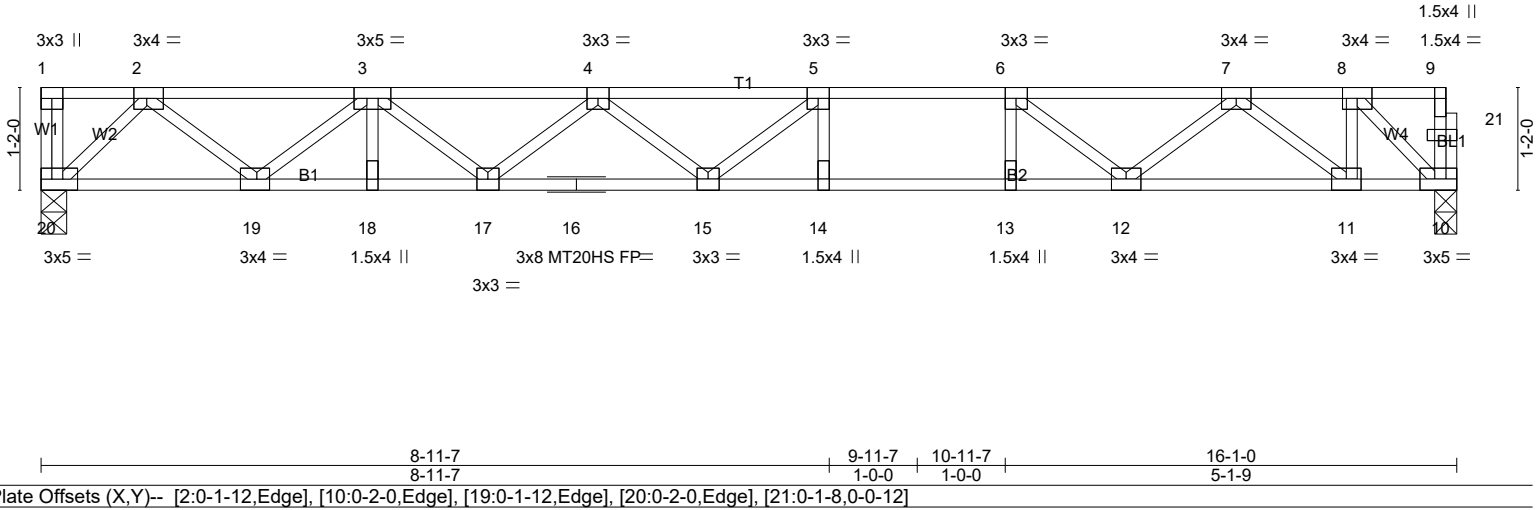
Job 20-6462-A	Truss F05	Truss Type Floor	Qty 4	Ply 1	GARY ROBINSON-STOCKTON XL-SOUTH CREEK#55 ROOF Job Reference (optional)
------------------	--------------	---------------------	----------	----------	---

Riverside Roof Truss, LLC, Danville, VA. 24541

Run: 8.330 s Feb 24 2020 Print: 8.330 s Feb 24 2020 MiTek Industries, Inc. Fri Nov 20 17:24:19 2020 Page 1  
ID:wGHO7kGIZJUXqaFdBnCYKlyjubB-cza8CgMfWzkxaFL4FlqKocn2uutHwasWu2FgRwyHERg



Scale = 1:26.2



LOADING (psf)	SPACING-	CSI.	DEFL.	PLATES	GRIP
TCLL 40.0	1-7-3	TC 0.66	in (loc) l/defl L/d	MT20	244/190
TCDL 10.0	Plate Grip DOL 1.00	BC 0.70	Vert(LL) -0.23 14-15 >822 480	MT20HS	187/143
BCLL 0.0	Lumber DOL 1.00	WB 0.37	Vert(CT) -0.32 14-15 >601 360		
BCDL 5.0	Rep Stress Incr YES	Matrix-S	Horz(CT) 0.04 10 n/a n/a		
	Code IRC2015/TPI2014			Weight: 83 lb	FT = 20%F, 11%E

**LUMBER-**  
 TOP CHORD 2x4 SP No.2(flat)  
 BOT CHORD 2x4 SP No.2(flat) \*Except\*  
 B2: 2x4 SP DSS(flat)  
 WEBS 2x4 SP No.3(flat)

**BRACING-**  
 TOP CHORD Structural wood sheathing directly applied or 6-0-0 oc purlins, except end verticals.  
 BOT CHORD Rigid ceiling directly applied or 10-0-0 oc bracing.

**REACTIONS.** (lb/size) 20=697/0-3-8 (min. 0-1-8), 10=692/0-3-0 (min. 0-1-8)

**FORCES.** (lb) - Maximum Compression/Maximum Tension  
 TOP CHORD 1-20=-12/0, 10-21=-36/1, 9-21=-36/1, 1-2=0/0, 2-3=-1299/0, 3-4=-2249/0, 4-5=-2602/0, 5-6=-2471/0, 6-7=-1835/0, 7-8=-682/0, 8-9=-2/0  
 BOT CHORD 19-20=0/699, 18-19=0/1905, 17-18=0/1905, 16-17=0/2573, 15-16=0/2573, 14-15=0/2471, 13-14=0/2471, 12-13=0/2471, 11-12=0/1349, 10-11=0/682  
 WEBS 5-14=-279/13, 6-13=0/305, 5-15=-175/323, 4-15=-46/193, 4-17=-421/0, 3-17=0/439, 3-18=0/12, 3-19=-774/0, 2-19=0/781, 2-20=-972/0, 6-12=-847/0, 7-12=0/632, 7-11=-851/0, 8-11=0/564, 8-10=-951/0

- NOTES-**
- 1) Unbalanced floor live loads have been considered for this design.
  - 2) All plates are MT20 plates unless otherwise indicated.
  - 3) This truss is designed in accordance with the 2015 International Residential Code sections R502.11.1 and R802.10.2 and referenced standard ANSI/TPI 1.
  - 4) Recommend 2x6 strongbacks, on edge, spaced at 10-0-0 oc and fastened to each truss with 3-10d (0.131" X 3") nails. Strongbacks to be attached to walls at their outer ends or restrained by other means.
  - 5) CAUTION, Do not erect truss backwards.

**LOAD CASE(S)** Standard

Job	Truss	Truss Type	Qty	Ply	GARY ROBINSON-STOCKTON XL-SOUTH CREEK#55 ROOF
20-6462-A	F06	Floor	2	1	Job Reference (optional)

Riverside Roof Truss, LLC, Danville, VA. 24541

Run: 8.330 s Feb 24 2020 Print: 8.330 s Feb 24 2020 MiTek Industries, Inc. Fri Nov 20 17:24:20 2020 Page 1  
ID:wGHO7kGIZJUXqaFdBnCYKlyjubB-498XP0NHGsoBPwGo?LZKqKEH19Nf\_xf7i?EzMyHERf

0-6-15 1-3-0

2-0-0

0-10-9 0-1-8

Scale: 3/8"=1'

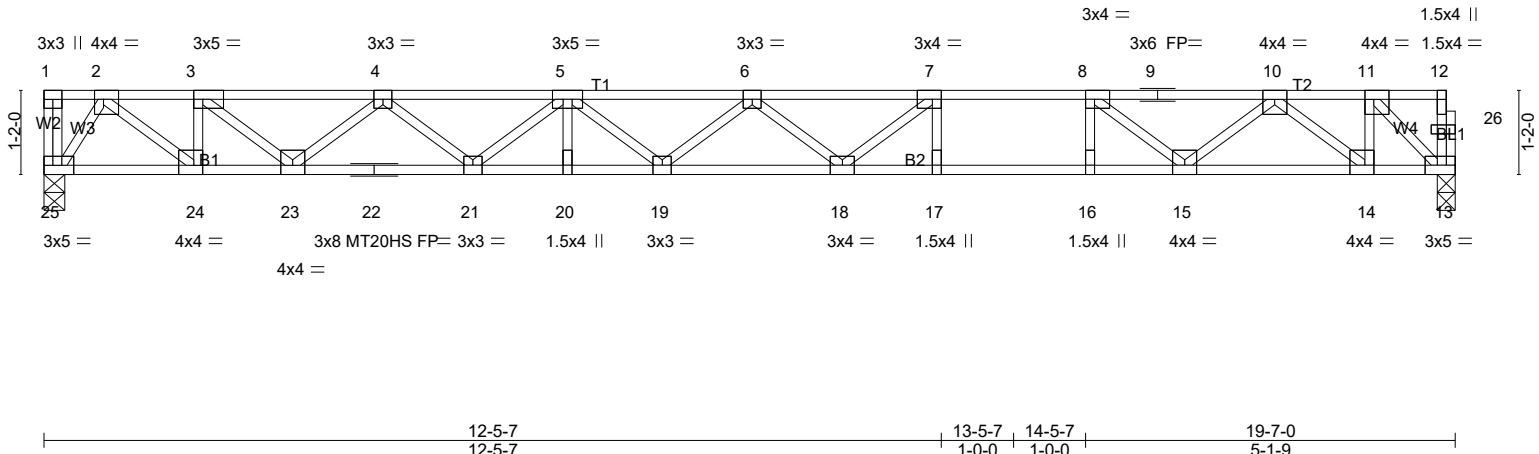


Plate Offsets (X,Y)-- [2:0-1-8,Edge], [3:0-1-8,Edge], [7:0-1-8,Edge], [8:0-1-8,Edge], [11:0-1-8,Edge], [13:0-2-0,Edge], [14:0-1-8,Edge], [24:0-1-8,Edge], [25:0-2-0,Edge], [26:0-1-8,0-0-12]

LOADING (psf)	SPACING-	1-7-3	CSI.	DEFL.	in (loc)	l/defl	L/d	PLATES	GRIP
TCLL 40.0	Plate Grip DOL	1.00	TC 0.61	Vert(LL)	-0.41 17-18	>563	480	MT20	244/190
TCDL 10.0	Lumber DOL	1.00	BC 0.90	Vert(CT)	-0.57 17-18	>410	360	MT20HS	187/143
BCLL 0.0	Rep Stress Incr	YES	WB 0.57	Horz(CT)	0.06 13	n/a	n/a		
BCDL 5.0	Code IRC2015/TPI2014		Matrix-S						
								Weight: 101 lb	FT = 20%F, 11%E

LUMBER-	BRACING-
TOP CHORD 2x4 SP No.2(flat) *Except* T1: 2x4 SP DSS(flat)	TOP CHORD Structural wood sheathing directly applied or 6-0-0 oc purlins, except end verticals.
BOT CHORD 2x4 SP No.2(flat) *Except* B2: 2x4 SP DSS(flat)	BOT CHORD Rigid ceiling directly applied or 10-0-0 oc bracing.
WEBS 2x4 SP No.3(flat)	

REACTIONS. (lb/size) 25=851/0-3-8 (min. 0-1-8), 13=846/0-3-0 (min. 0-1-8)

FORCES. (lb) - Maximum Compression/Maximum Tension  
 TOP CHORD 1-25=-22/0, 13-26=-34/7, 12-26=-34/7, 1-2=0/0, 2-3=-1499/0, 3-4=-2217/0, 4-5=-3287/0, 5-6=-3850/0, 6-7=-3825/0, 7-8=-3353/0, 8-9=-2379/0, 9-10=-2379/0, 10-11=-851/0, 11-12=-2/0  
 BOT CHORD 24-25=0/554, 23-24=0/1499, 22-23=0/2883, 21-22=0/2883, 20-21=0/3692, 19-20=0/3692, 18-19=0/4015, 17-18=0/3353, 16-17=0/3353, 15-16=0/3353, 14-15=0/1672, 13-14=0/851  
 WEBS 7-17=-419/0, 8-16=0/443, 7-18=-3/730, 6-18=-319/86, 6-19=-216/0, 5-19=0/201, 5-20=0/20, 5-21=-517/0, 4-21=0/526, 4-23=-867/0, 3-23=0/917, 3-24=-735/0, 2-24=0/1206, 2-25=-990/0, 8-15=-1249/0, 10-15=0/921, 10-14=-1048/0, 11-14=0/699, 11-13=-1186/0

- NOTES-
- 1) Unbalanced floor live loads have been considered for this design.
  - 2) All plates are MT20 plates unless otherwise indicated.
  - 3) This truss is designed in accordance with the 2015 International Residential Code sections R502.11.1 and R802.10.2 and referenced standard ANSI/TPI 1.
  - 4) Recommend 2x6 strongbacks, on edge, spaced at 10-0-0 oc and fastened to each truss with 3-10d (0.131" X 3") nails. Strongbacks to be attached to walls at their outer ends or restrained by other means.
  - 5) CAUTION, Do not erect truss backwards.

LOAD CASE(S) Standard

Job	Truss	Truss Type	Qty	Ply	GARY ROBINSON-STOCKTON XL-SOUTH CREEK#55 ROOF
20-6462-A	F07	Floor Girder	1	1	Job Reference (optional)

Riverside Roof Truss, LLC, Danville, VA. 24541

Run: 8.330 s Feb 24 2020 Print: 8.330 s Feb 24 2020 MiTek Industries, Inc. Fri Nov 20 17:24:21 2020 Page 1  
ID:wGHO7kGIZJUXqaFdBnCYKlyjubB-YMhvdMOv2a\_fpZVTMjsot1sQphaNOQ7pLMknVpyHERe



Scale = 1:15.5

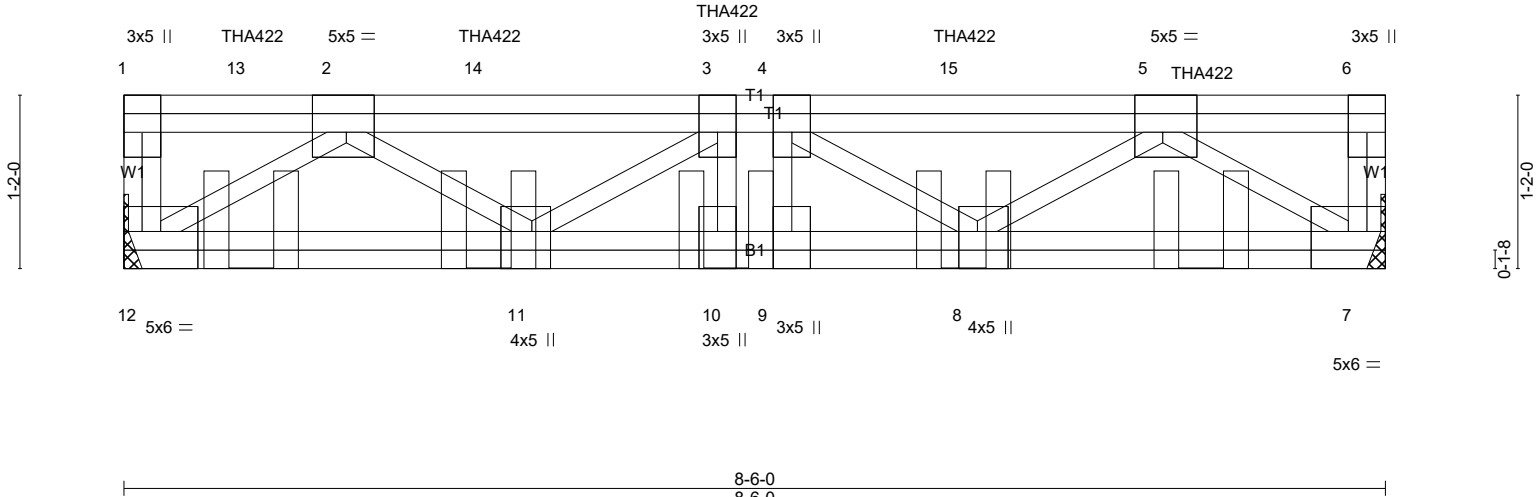


Plate Offsets (X,Y)-- [1:Edge,0-1-8], [2:0-2-4,Edge], [3:0-3-0,Edge], [4:0-3-0,Edge], [5:0-2-4,Edge], [6:0-3-0,Edge], [7:Edge,0-3-0], [8:0-3-0,Edge], [9:0-3-0,0-0-0], [10:0-3-0,Edge], [11:0-3-0,Edge], [12:0-3-0,Edge]

LOADING (psf)	SPACING-	2-0-0	CSI.	DEFL.	in	(loc)	l/defl	L/d	PLATES	GRIP
TCLL 40.0	Plate Grip DOL 1.00		TC 0.56	Vert(LL) -0.05	10	>999	480		MT20	244/190
TCDL 10.0	Lumber DOL 1.00		BC 0.60	Vert(CT) -0.07	10	>999	360			
BCLL 0.0	Rep Stress Incr NO		WB 0.58	Horz(CT) 0.02	7	n/a	n/a			
BCDL 5.0	Code IRC2015/TPI2014		Matrix-S							
									Weight: 69 lb	FT = 20%F, 11%E

LUMBER-	BRACING-
TOP CHORD 2x4 SP No.2(flat)	TOP CHORD Structural wood sheathing directly applied or 6-0-0 oc purlins, except end verticals.
BOT CHORD 2x4 SP No.2(flat)	BOT CHORD Rigid ceiling directly applied or 10-0-0 oc bracing.
WEBS 2x4 SP No.3(flat)	

REACTIONS. (lb/size) 12=1516/Mechanical, 7=1396/Mechanical

FORCES. (lb) - Maximum Compression/Maximum Tension  
 TOP CHORD 1-12=-144/0, 6-7=0/38, 1-13=0/0, 2-13=0/0, 2-14=-2778/0, 3-14=-2778/0, 3-4=-3526/0, 4-15=-2797/0, 5-15=-2797/0, 5-6=0/0  
 BOT CHORD 11-12=0/2027, 10-11=0/3526, 9-10=0/3526, 8-9=0/3526, 7-8=0/2063  
 WEBS 2-12=-2436/0, 2-11=0/932, 3-11=-912/0, 3-10=-70/67, 5-7=-2479/0, 5-8=0/911, 4-8=-889/0, 4-9=-84/54

- NOTES-
- Unbalanced floor live loads have been considered for this design.
  - Refer to girder(s) for truss to truss connections.
  - This truss is designed in accordance with the 2015 International Residential Code sections R502.11.1 and R802.10.2 and referenced standard ANSI/TPI 1.
  - Recommend 2x6 strongbacks, on edge, spaced at 10-0-0 oc and fastened to each truss with 3-10d (0.131" X 3") nails. Strongbacks to be attached to walls at their outer ends or restrained by other means.
  - Use Simpson Strong-Tie THA422 (6-16d Girder, 6-10d Truss) or equivalent spaced at 1-7-3 oc max. starting at 0-10-5 from the left end to 7-3-2 to connect truss(es) F04 (1 ply 2x4 SP) to back face of top chord.
  - Fill all nail holes where hanger is in contact with lumber.
  - In the LOAD CASE(S) section, loads applied to the face of the truss are noted as front (F) or back (B).

LOAD CASE(S) Standard  
 1) Dead + Floor Live (balanced): Lumber Increase=1.00, Plate Increase=1.00  
 Uniform Loads (plf)  
 Vert: 7-12=-10, 1-6=-100  
 Concentrated Loads (lb)  
 Vert: 3=-400(B) 5=-400(B) 13=-404(B) 14=-400(B) 15=-400(B)

Job 20-6462-A	Truss F08	Truss Type FLOOR GIRDER	Qty 1	Ply 1	GARY ROBINSON-STOCKTON XL-SOUTH CREEK#55 ROOF
Riverside Roof Truss, LLC, Danville, VA. 24541					Job Reference (optional)

Run: 8.330 s Feb 24 2020 Print: 8.330 s Feb 24 2020 MiTek Industries, Inc. Fri Nov 20 17:24:22 2020 Page 1  
ID:wGHO7kGIZJUXqaFdBnCYklyjubB-0YFHqiPXpu6VRj4fwQN1PFPZ\_5uL7qlya0UK2FyHER



Scale = 1:26.6

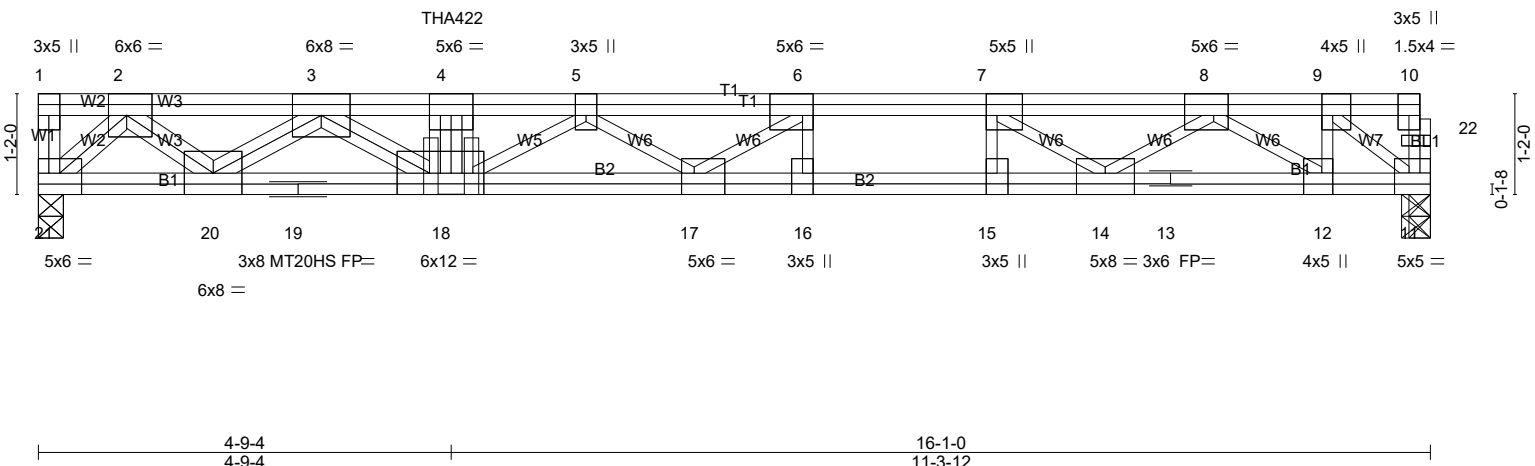


Plate Offsets (X,Y)-- [1:Edge,0-1-8], [2:0-2-8,Edge], [4:0-3-0,Edge], [5:0-3-0,Edge], [6:0-1-8,Edge], [7:0-3-0,Edge], [8:0-2-0,Edge], [9:0-3-0,Edge], [10:0-3-0,Edge], [11:0-2-0,Edge], [12:0-3-0,Edge], [14:0-4-0,Edge], [15:0-3-0,0-0-0], [16:0-3-0,Edge], [17:0-1-12,Edge], [18:0-4-8,Edge], [21:0-3-0,Edge], [22:0-1-8,0-0-12]

LOADING (psf)	SPACING-	2-0-0	CSI.	DEFL.	in (loc)	l/defl	L/d	PLATES	GRIP
TCLL 40.0	Plate Grip DOL	1.00	TC 0.66	Vert(LL)	-0.28	16-17	>684	480	MT20 244/190
TCDL 10.0	Lumber DOL	1.00	BC 0.74	Vert(CT)	-0.38	16-17	>492	360	MT20HS 187/143
BCLL 0.0	Rep Stress Incr	NO	WB 0.81	Horz(CT)	0.04	11	n/a	n/a	
BCDL 5.0	Code IRC2015/TPI2014		Matrix-S						
								Weight: 136 lb	FT = 20%F, 11%E

**LUMBER-**  
TOP CHORD 2x4 SP No.1(flat)  
BOT CHORD 2x4 SP DSS(flat)  
WEBS 2x4 SP No.3(flat)

**BRACING-**  
TOP CHORD Structural wood sheathing directly applied or 5-11-3 oc purlins, except end verticals.  
BOT CHORD Rigid ceiling directly applied or 10-0-0 oc bracing.

**REACTIONS.** (lb/size) 21=1867/0-3-8 (min. 0-3-4), 21=1867/0-3-8 (min. 0-3-4), 11=1285/0-4-0 (min. 0-1-8), 11=1285/0-4-0 (min. 0-1-8)

**FORCES.** (lb) - Maximum Compression/Maximum Tension  
TOP CHORD 1-21=-26/0, 11-22=-23/21, 10-22=-23/21, 1-2=0/0, 2-3=-3624/0, 3-4=-7863/0, 4-5=-7959/0, 5-6=-7329/0, 6-7=-6097/0, 7-8=-4156/0, 8-9=-1403/0, 9-10=0/0  
BOT CHORD 20-21=0/1819, 19-20=0/5770, 18-19=0/5770, 17-18=0/7950, 16-17=0/6097, 15-16=0/6097, 14-15=0/6097, 13-14=0/2807, 12-13=0/2807, 11-12=0/1412  
WEBS 4-18=-1390/0, 6-16=-808/0, 7-15=0/836, 6-17=0/1702, 5-17=-884/0, 5-18=0/285, 7-14=-2401/0, 8-14=0/1673, 8-12=-1713/0, 9-12=0/881, 9-11=-1786/0, 3-18=0/2482, 3-20=-2677/0, 2-20=0/2445, 2-21=-2577/0

- NOTES-**
- 1) Unbalanced floor live loads have been considered for this design.
  - 2) All plates are MT20 plates unless otherwise indicated.
  - 3) Non Standard bearing condition. Review required.
  - 4) This truss is designed in accordance with the 2015 International Residential Code sections R502.11.1 and R802.10.2 and referenced standard ANSI/TPI 1.
  - 5) Recommend 2x6 strongbacks, on edge, spaced at 10-0-0 oc and fastened to each truss with 3-10d (0.131" X 3") nails. Strongbacks to be attached to walls at their outer ends or restrained by other means.
  - 6) CAUTION, Do not erect truss backwards.
  - 7) Use Simpson Strong-Tie THA422 (6-16d Girder, 6-10d Truss) or equivalent at 4-9-4 from the left end to connect truss(es) F07 (1 ply 2x4 SP) to front face of top chord.
  - 8) Fill all nail holes where hanger is in contact with lumber.
  - 9) In the LOAD CASE(S) section, loads applied to the face of the truss are noted as front (F) or back (B).

**LOAD CASE(S)** Standard  
1) Dead + Floor Live (balanced): Lumber Increase=1.00, Plate Increase=1.00  
Uniform Loads (plf)  
Vert: 11-21=-10, 1-10=-100  
Concentrated Loads (lb)  
Vert: 4=-1416(F)

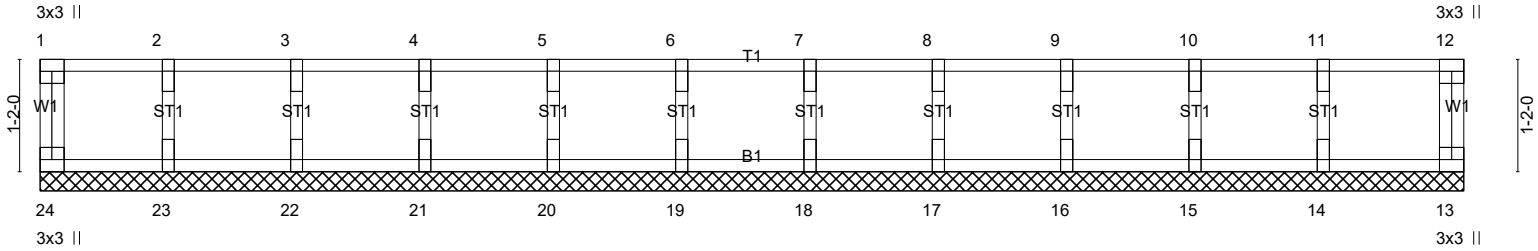


Job 20-6462-A	Truss F09	Truss Type Floor Supported Gable	Qty 1	Ply 1	GARY ROBINSON-STOCKTON XL-SOUTH CREEK#55 ROOF Job Reference (optional)
------------------	--------------	-------------------------------------	----------	----------	---

Riverside Roof Truss, LLC, Danville, VA. 24541

Run: 8.330 s Feb 24 2020 Print: 8.330 s Feb 24 2020 MiTek Industries, Inc. Fri Nov 20 17:24:23 2020 Page 1  
ID:wGHO7kGIZJUXqaFdBnCYKlyjubB-Ukpf22P9aBEM3tfrU8uGySytuVPzSTA5pgDuahyHERC

Scale: 1/2"=1'



14-9-8  
14-9-8

<b>LOADING</b> (psf)	<b>SPACING-</b>	2-0-0	<b>CSI.</b>	<b>DEFL.</b>	in (loc)	l/defl	L/d	<b>PLATES</b>	<b>GRIP</b>
TCLL 40.0	Plate Grip DOL	1.00	TC 0.08	Vert(LL)	n/a	-	n/a	MT20	244/190
TCDL 10.0	Lumber DOL	1.00	BC 0.01	Vert(CT)	n/a	-	n/a		
BCLL 0.0	Rep Stress Incr	YES	WB 0.03	Horz(CT)	0.00	13	n/a		
BCDL 5.0	Code IRC2015/TPI2014		Matrix-R						
								Weight: 63 lb	FT = 20%F, 11%E

**LUMBER-**  
TOP CHORD 2x4 SP No.2(flat)  
BOT CHORD 2x4 SP No.2(flat)  
WEBS 2x4 SP No.3(flat)  
OTHERS 2x4 SP No.3(flat)

**BRACING-**  
TOP CHORD Structural wood sheathing directly applied or 6-0-0 oc purlins, except end verticals.  
BOT CHORD Rigid ceiling directly applied or 10-0-0 oc bracing.

**REACTIONS.** (lb/size) 24=64/14-9-8 (min. 0-1-8), 13=70/14-9-8 (min. 0-1-8), 23=141/14-9-8 (min. 0-1-8), 22=148/14-9-8 (min. 0-1-8), 21=146/14-9-8 (min. 0-1-8), 20=147/14-9-8 (min. 0-1-8), 19=147/14-9-8 (min. 0-1-8), 18=147/14-9-8 (min. 0-1-8), 17=147/14-9-8 (min. 0-1-8), 16=147/14-9-8 (min. 0-1-8), 15=146/14-9-8 (min. 0-1-8), 14=151/14-9-8 (min. 0-1-8)

**FORCES.** (lb) - Maximum Compression/Maximum Tension  
TOP CHORD 1-24=-57/0, 12-13=-64/0, 1-2=-12/0, 2-3=-12/0, 3-4=-12/0, 4-5=-12/0, 5-6=-12/0, 6-7=-12/0, 7-8=-12/0, 8-9=-12/0, 9-10=-12/0, 10-11=-12/0, 11-12=-12/0  
BOT CHORD 23-24=0/12, 22-23=0/12, 21-22=0/12, 20-21=0/12, 19-20=0/12, 18-19=0/12, 17-18=0/12, 16-17=0/12, 15-16=0/12, 14-15=0/12, 13-14=0/12  
WEBS 2-23=-129/0, 3-22=-135/0, 4-21=-133/0, 5-20=-133/0, 6-19=-133/0, 7-18=-133/0, 8-17=-133/0, 9-16=-134/0, 10-15=-132/0, 11-14=-137/0

- NOTES-**
- All plates are 1.5x4 MT20 unless otherwise indicated.
  - Gable requires continuous bottom chord bearing.
  - Truss to be fully sheathed from one face or securely braced against lateral movement (i.e. diagonal web).
  - Gable studs spaced at 1-4-0 oc.
  - This truss is designed in accordance with the 2015 International Residential Code sections R502.11.1 and R802.10.2 and referenced standard ANSI/TPI 1.
  - Recommend 2x6 strongbacks, on edge, spaced at 10-0-0 oc and fastened to each truss with 3-10d (0.131" X 3") nails. Strongbacks to be attached to walls at their outer ends or restrained by other means.

**LOAD CASE(S)** Standard

Job 20-6462-A	Truss F10	Truss Type Floor Supported Gable	Qty 1	Ply 1	GARY ROBINSON-STOCKTON XL-SOUTH CREEK#55 ROOF Job Reference (optional)
------------------	--------------	-------------------------------------	----------	----------	---

Riverside Roof Truss, LLC, Danville, VA. 24541

Run: 8.330 s Feb 24 2020 Print: 8.330 s Feb 24 2020 MiTek Industries, Inc. Fri Nov 20 17:24:23 2020 Page 1  
ID:wGHO7kGIZJUXqaFdBnCYKiyubB-Ukpf22P9aBEM3tfrU8uGySytsVPrsTA5pgDuahyHERc

0-1-8

Scale = 1:15.5

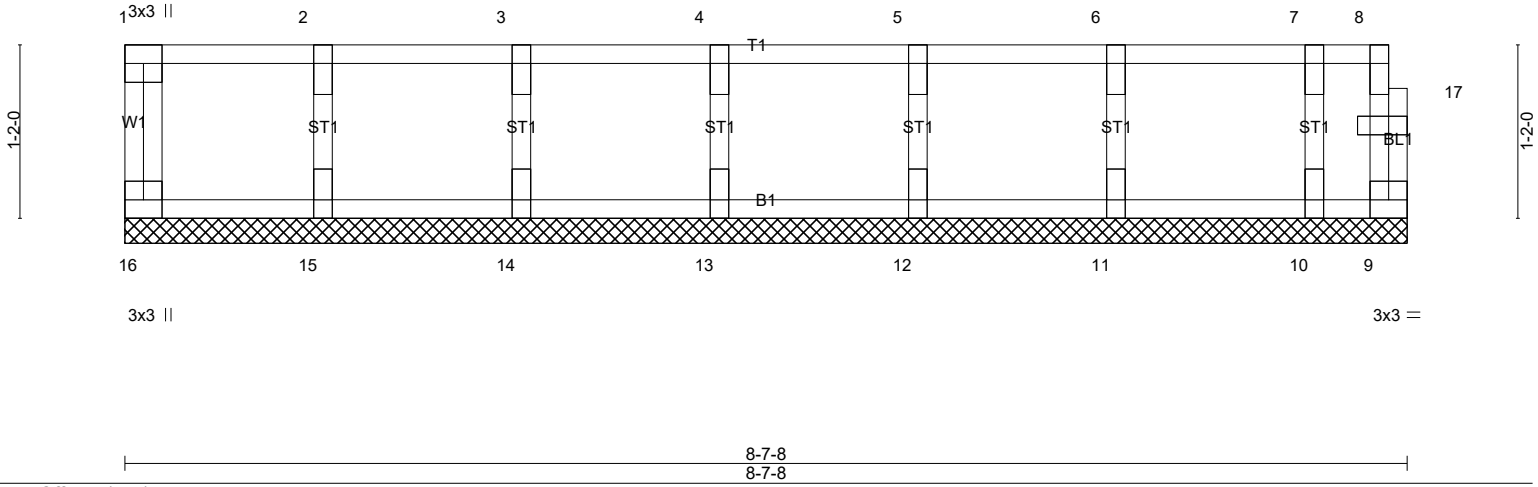


Plate Offsets (X,Y)-- [17:0-1-8,0-0-12]

LOADING (psf)	SPACING-	CSI.	DEFL.	in (loc)	l/defl	L/d	PLATES	GRIP
TCLL 40.0	2-0-0	TC 0.08	Vert(LL)	n/a	-	n/a	MT20	244/190
TCDL 10.0	Plate Grip DOL 1.00	BC 0.02	Vert(CT)	n/a	-	n/a		
BCLL 0.0	Lumber DOL 1.00	WB 0.03	Horz(CT)	0.00	9	n/a		
BCDL 5.0	Rep Stress Incr YES	Matrix-R						
	Code IRC2015/TPI2014						Weight: 39 lb	FT = 20%F, 11%E

LUMBER-	BRACING-
TOP CHORD 2x4 SP No.2(flat)	TOP CHORD Structural wood sheathing directly applied or 6-0-0 oc purlins, except end verticals.
BOT CHORD 2x4 SP No.2(flat)	BOT CHORD Rigid ceiling directly applied or 10-0-0 oc bracing.
WEBS 2x4 SP No.3(flat)	
OTHERS 2x4 SP No.3(flat)	

**REACTIONS.** (lb/size) 16=59/8-7-8 (min. 0-1-8), 9=14/8-7-8 (min. 0-1-8), 15=148/8-7-8 (min. 0-1-8), 14=147/8-7-8 (min. 0-1-8), 13=147/8-7-8 (min. 0-1-8), 12=145/8-7-8 (min. 0-1-8), 11=153/8-7-8 (min. 0-1-8), 10=103/8-7-8 (min. 0-1-8)

**FORCES.** (lb) - Maximum Compression/Maximum Tension  
 TOP CHORD 1-16=-55/0, 9-17=-5/0, 8-17=-5/0, 1-2=-7/0, 2-3=-7/0, 3-4=-7/0, 4-5=-7/0, 5-6=-7/0, 6-7=-7/0, 7-8=-7/0  
 BOT CHORD 15-16=0/7, 14-15=0/7, 13-14=0/7, 12-13=0/7, 11-12=0/7, 10-11=0/7, 9-10=0/7  
 WEBS 2-15=-133/0, 3-14=-134/0, 4-13=-134/0, 5-12=-132/0, 6-11=-139/0, 7-10=-101/0

- NOTES-**
- All plates are 1.5x4 MT20 unless otherwise indicated.
  - Gable requires continuous bottom chord bearing.
  - Truss to be fully sheathed from one face or securely braced against lateral movement (i.e. diagonal web).
  - Gable studs spaced at 1-4-0 oc.
  - This truss is designed in accordance with the 2015 International Residential Code sections R502.11.1 and R802.10.2 and referenced standard ANSI/TPI 1.
  - Recommend 2x6 strongbacks, on edge, spaced at 10-0-0 oc and fastened to each truss with 3-10d (0.131" X 3") nails. Strongbacks to be attached to walls at their outer ends or restrained by other means.
  - CAUTION, Do not erect truss backwards.

**LOAD CASE(S)** Standard

Job 20-6462-A	Truss F11	Truss Type Floor	Qty 14	Ply 1	GARY ROBINSON-STOCKTON XL-SOUTH CREEK#55 ROOF
Riverside Roof Truss, LLC, Danville, VA. 24541					Job Reference (optional)

Run: 8.330 s Feb 24 2020 Print: 8.330 s Feb 24 2020 MiTek Industries, Inc. Fri Nov 20 17:24:24 2020 Page 1  
ID:wGHO7kGlZJUXqaFdBnCYKlyjubB-ywN1FNQnLVMDg1E21rQVUgU\_uvccbtNF1KzR67yHERb



Scale = 1:23.7

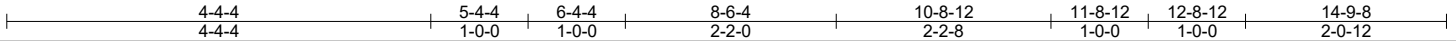
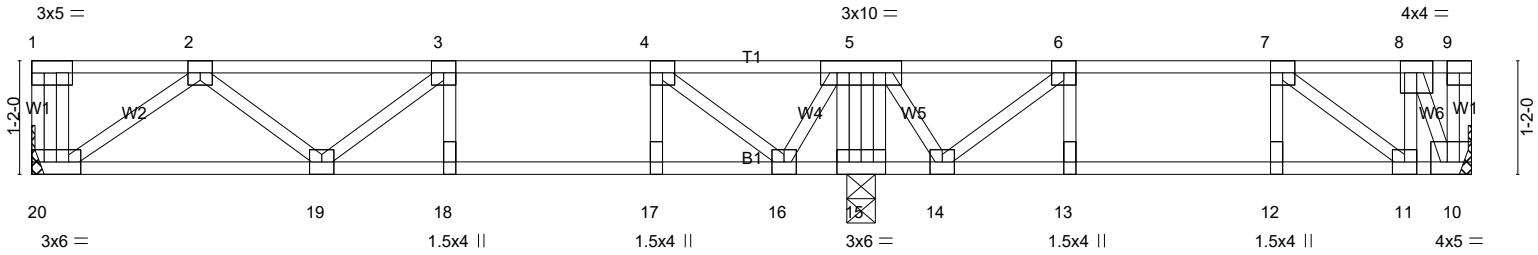


Plate Offsets (X,Y)-- [10:0-2-0,Edge], [20:0-1-8,Edge]

LOADING (psf)	SPACING-	1-7-3	CSI.	DEFL.	in (loc)	l/defl	L/d	PLATES	GRIP
TCLL 40.0	Plate Grip DOL	1.00	TC 0.38	Vert(LL)	-0.07 18-19	>999	480	MT20	244/190
TCDL 10.0	Lumber DOL	1.00	BC 0.63	Vert(CT)	-0.09 18-19	>999	360		
BCLL 0.0	Rep Stress Incr	YES	WB 0.16	Horz(CT)	0.01 10	n/a	n/a		
BCDL 5.0	Code IRC2015/TPI2014		Matrix-S						
								Weight: 82 lb	FT = 20%F, 11%E

**LUMBER-**  
TOP CHORD 2x4 SP No.2(flat)  
BOT CHORD 2x4 SP No.2(flat)  
WEBS 2x4 SP No.3(flat)

**BRACING-**  
TOP CHORD Structural wood sheathing directly applied or 6-0-0 oc purlins, except end verticals.  
BOT CHORD Rigid ceiling directly applied or 10-0-0 oc bracing, Except: 6-0-0 oc bracing: 15-16, 14-15.

**REACTIONS.** (lb/size) 10=275/Mechanical, 15=632/0-3-8 (min. 0-1-8), 20=373/Mechanical  
Max Grav 10=285(LC 7), 15=632(LC 1), 20=385(LC 10)

**FORCES.** (lb) - Maximum Compression/Maximum Tension  
TOP CHORD 1-20=-35/0, 9-10=-23/0, 1-2=0/0, 2-3=-681/0, 3-4=-761/0, 4-5=-338/0, 5-6=-239/0, 6-7=-422/0, 7-8=-120/0, 8-9=0/0  
BOT CHORD 19-20=0/526, 18-19=0/761, 17-18=0/761, 16-17=0/761, 15-16=-81/137, 14-15=-81/137, 13-14=0/422, 12-13=0/422, 11-12=0/422, 10-11=0/120  
WEBS 3-18=-114/0, 4-17=0/149, 6-13=-23/18, 7-12=0/54, 5-15=-584/0, 3-19=-102/15, 2-19=0/202, 2-20=-627/0, 4-16=-582/0, 5-16=0/342, 6-14=-318/0, 5-14=0/248, 7-11=-380/0, 8-11=0/201, 8-10=-277/0

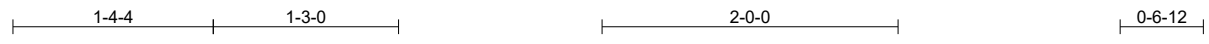
- NOTES-**
- 1) Unbalanced floor live loads have been considered for this design.
  - 2) All plates are 3x3 MT20 unless otherwise indicated.
  - 3) Refer to girder(s) for truss to truss connections.
  - 4) This truss is designed in accordance with the 2015 International Residential Code sections R502.11.1 and R802.10.2 and referenced standard ANSI/TPI 1.
  - 5) Recommend 2x6 strongbacks, on edge, spaced at 10-0-0 oc and fastened to each truss with 3-10d (0.131" X 3") nails. Strongbacks to be attached to walls at their outer ends or restrained by other means.
  - 6) CAUTION, Do not erect truss backwards.

**LOAD CASE(S)** Standard

Job 20-6462-A	Truss F12	Truss Type Floor	Qty 10	Ply 1	GARY ROBINSON-STOCKTON XL-SOUTH CREEK#55 ROOF
------------------	--------------	---------------------	-----------	----------	---

Riverside Roof Truss, LLC, Danville, VA. 24541

Run: 8.330 s Feb 24 2020 Print: 8.330 s Feb 24 2020 MiTek Industries, Inc. Fri Nov 20 17:24:25 2020 Page 1  
ID:wGHO7kGIZJUXqaFdBnCYKlyjubB-Q7xQTjRQ6oU4IAPeBzXk1t17VJx4KKvOG\_i\_eayHERa



Scale = 1:15.6

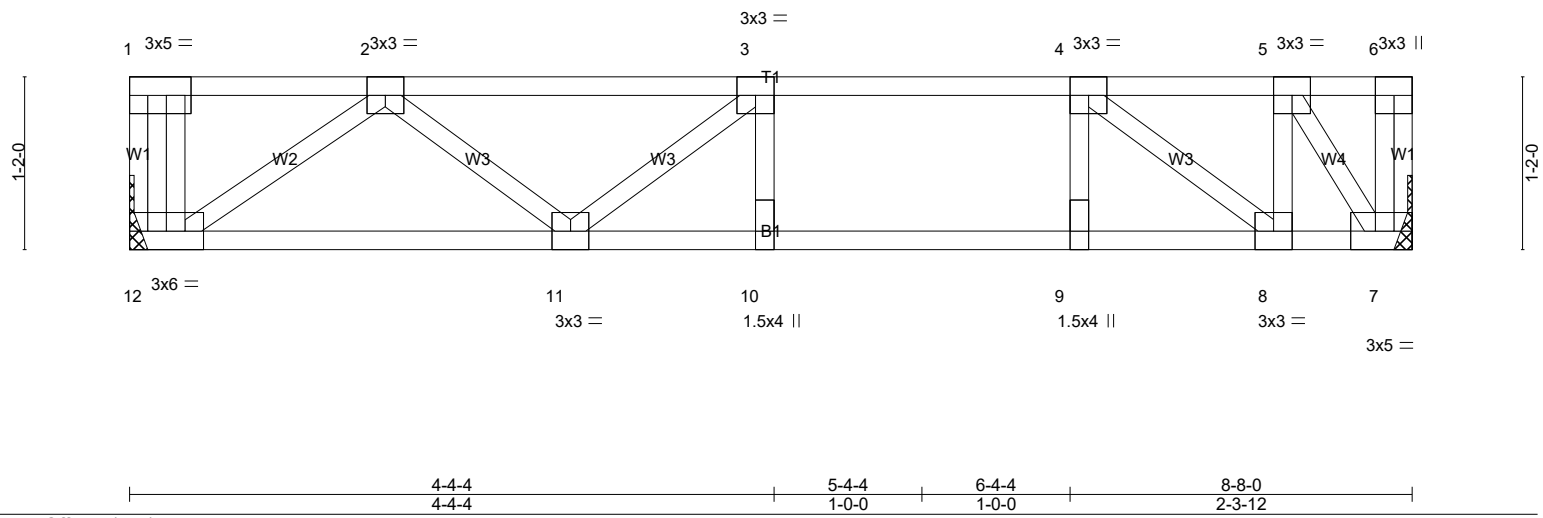


Plate Offsets (X,Y)-- [7:0-2-0,Edge], [12:0-1-8,Edge]					
<b>LOADING</b> (psf)	<b>SPACING-</b> 1-7-3	<b>CSI.</b>	<b>DEFL.</b> in (loc) l/defl L/d	<b>PLATES</b>	<b>GRIP</b>
TCLL 40.0	Plate Grip DOL 1.00	TC 0.46	Vert(LL) -0.07 10-11 >999 480	MT20	244/190
TCDL 10.0	Lumber DOL 1.00	BC 0.61	Vert(CT) -0.09 10-11 >999 360		
BCLL 0.0	Rep Stress Incr YES	WB 0.14	Horz(CT) 0.01 7 n/a n/a		
BCDL 5.0	Code IRC2015/TPI2014	Matrix-S			Weight: 48 lb FT = 20%F, 11%E

<b>LUMBER-</b>	<b>BRACING-</b>
TOP CHORD 2x4 SP No.2(flat)	TOP CHORD Structural wood sheathing directly applied or 6-0-0 oc purlins, except end verticals.
BOT CHORD 2x4 SP No.2(flat)	BOT CHORD Rigid ceiling directly applied or 10-0-0 oc bracing.
WEBS 2x4 SP No.3(flat)	

**REACTIONS.** (lb/size) 7=370/Mechanical, 12=370/Mechanical

**FORCES.** (lb) - Maximum Compression/Maximum Tension  
 TOP CHORD 1-12=-34/0, 6-7=-41/0, 1-2=0/0, 2-3=-641/0, 3-4=-689/0, 4-5=-218/0, 5-6=0/0  
 BOT CHORD 11-12=0/507, 10-11=0/689, 9-10=0/689, 8-9=0/689, 7-8=0/218  
 WEBS 3-10=-114/0, 4-9=0/145, 3-11=-134/0, 2-11=0/181, 2-12=-604/0, 4-8=-591/0, 5-8=0/286, 5-7=-373/0

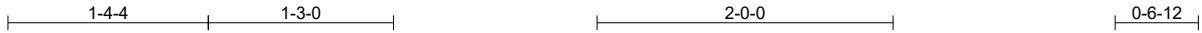
- NOTES-**
- 1) Unbalanced floor live loads have been considered for this design.
  - 2) Refer to girder(s) for truss to truss connections.
  - 3) This truss is designed in accordance with the 2015 International Residential Code sections R502.11.1 and R802.10.2 and referenced standard ANSI/TPI 1.
  - 4) Recommend 2x6 strongbacks, on edge, spaced at 10-0-0 oc and fastened to each truss with 3-10d (0.131" X 3") nails. Strongbacks to be attached to walls at their outer ends or restrained by other means.

**LOAD CASE(S)** Standard

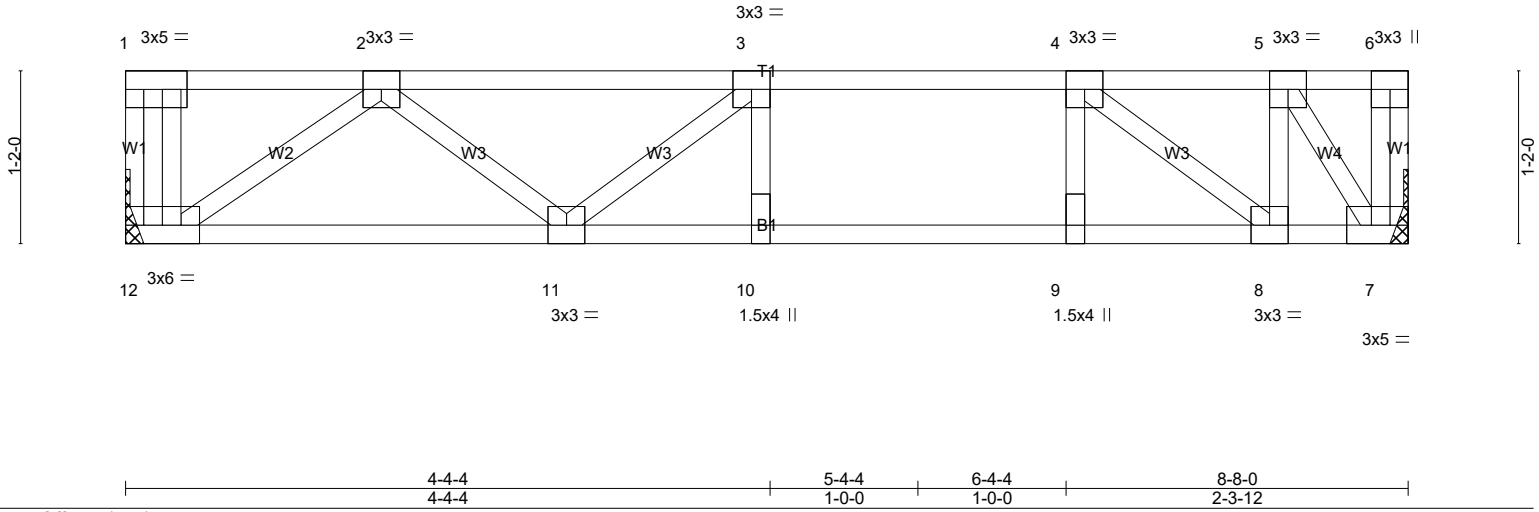
Job 20-6462-A	Truss F13	Truss Type Floor	Qty 2	Ply 1	GARY ROBINSON-STOCKTON XL-SOUTH CREEK#55 ROOF Job Reference (optional)
------------------	--------------	---------------------	----------	----------	---

Riverside Roof Truss, LLC, Danville, VA. 24541

Run: 8.330 s Feb 24 2020 Print: 8.330 s Feb 24 2020 MiTek Industries, Inc. Fri Nov 20 17:24:26 2020 Page 1  
ID:wGHO7kGIZJUXqaFdBnCYKlyjubB-vJVog3S2t6dxwKOQ9GSza5alFiHJ3n9YVeSYB0yHERZ



Scale = 1:15.6



LOADING (psf)	SPACING-	CSI.	DEFL.	PLATES	GRIP
TCLL 40.0	1-7-3	TC 0.46	in (loc) l/defl L/d	MT20	244/190
TCDL 10.0	Plate Grip DOL 1.00	BC 0.61	Vert(LL) -0.07 10-11 >999 480		
BCLL 0.0	Lumber DOL 1.00	WB 0.14	Vert(CT) -0.09 10-11 >999 360		
BCDL 5.0	Rep Stress Incr YES	Matrix-S	Horz(CT) 0.01 7 n/a n/a		
	Code IRC2015/TPI2014			Weight: 48 lb	FT = 20%F, 11%E

LUMBER-	BRACING-
TOP CHORD 2x4 SP No.2(flat)	TOP CHORD Structural wood sheathing directly applied or 6-0-0 oc purlins, except end verticals.
BOT CHORD 2x4 SP No.2(flat)	BOT CHORD Rigid ceiling directly applied or 10-0-0 oc bracing.
WEBS 2x4 SP No.3(flat)	

REACTIONS. (lb/size) 7=370/Mechanical, 12=370/Mechanical

FORCES. (lb) - Maximum Compression/Maximum Tension  
 TOP CHORD 1-12=-34/0, 6-7=-41/0, 1-2=0/0, 2-3=-641/0, 3-4=-689/0, 4-5=-218/0, 5-6=0/0  
 BOT CHORD 11-12=0/507, 10-11=0/689, 9-10=0/689, 8-9=0/689, 7-8=0/218  
 WEBS 3-10=-114/0, 4-9=0/145, 3-11=-134/0, 2-11=0/181, 2-12=-604/0, 4-8=-591/0, 5-8=0/286, 5-7=-373/0

- NOTES-
- 1) Unbalanced floor live loads have been considered for this design.
  - 2) Refer to girder(s) for truss to truss connections.
  - 3) This truss is designed in accordance with the 2015 International Residential Code sections R502.11.1 and R802.10.2 and referenced standard ANSI/TPI 1.
  - 4) Recommend 2x6 strongbacks, on edge, spaced at 10-0-0 oc and fastened to each truss with 3-10d (0.131" X 3") nails. Strongbacks to be attached to walls at their outer ends or restrained by other means.

LOAD CASE(S) Standard