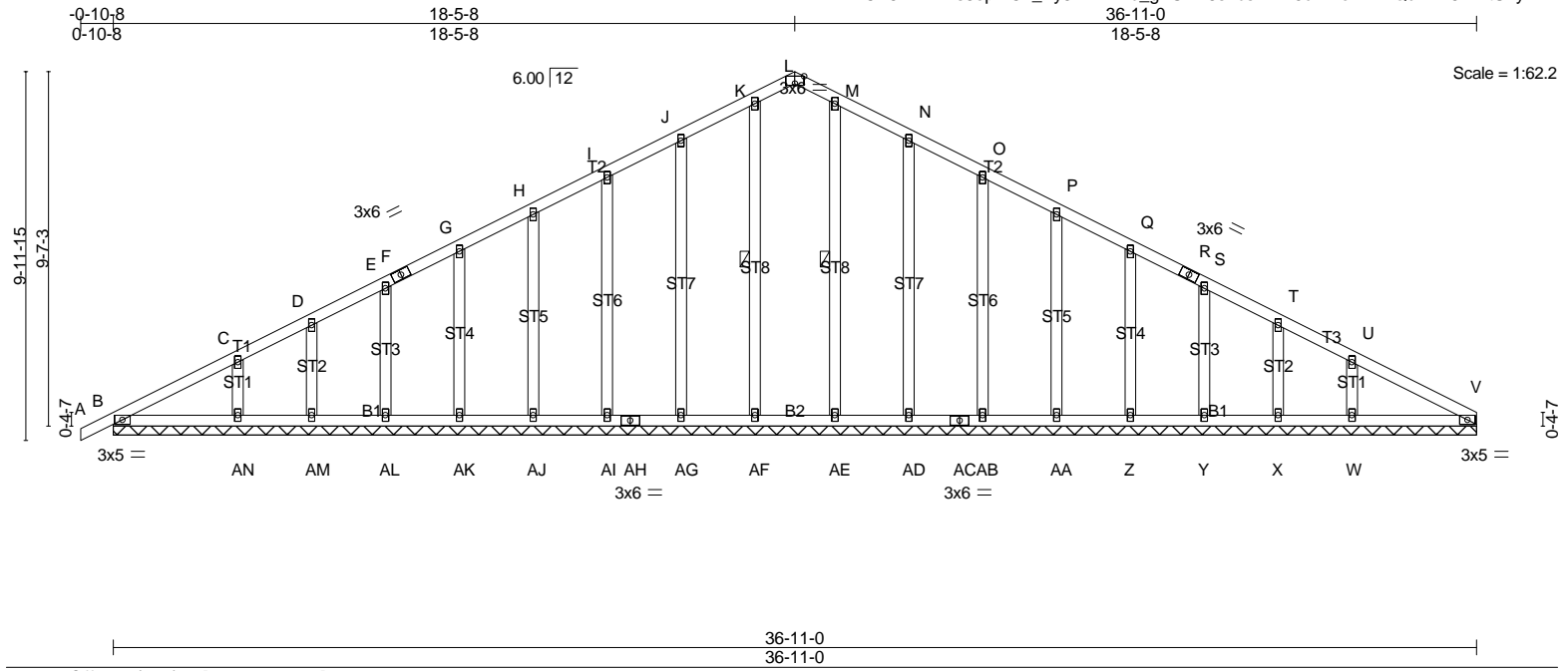


Job	Truss	Truss Type	Qty	Ply	H&H-NC/Dogwood/
MASTER	A01	GABLE	4	1	Job Reference (optional)

Builders FirstSource, N. Charleston, SC

Run: 7.640 s Apr 22 2016 Print: 7.640 s Apr 22 2016 MiTek Industries, Inc. Mon Dec 18 14:53:04 2017 Page 1
ID:?hrBCA8NTN1Es8op2ICn_Py8kV-I?Nb_gPSNK8snbsWK75uVmoWHHQuRk8wfYtU2y7ixT



LOADING (psf)	SPACING-	2-0-0	CSI.	DEFL.	in (loc)	l/defl	L/d	PLATES	GRIP	
TCLL 20.0	Plate Grip DOL	1.15	TC 0.28	Vert(LL)	-0.00	A	n/r	120	MT20	244/190
TCDL 10.0	Lumber DOL	1.15	BC 0.12	Vert(TL)	0.00	A	n/r	120		
BCLL 0.0 *	Rep Stress Incr	YES	WB 0.14	Horz(TL)	0.02	V	n/a	n/a		
BCDL 10.0	Code IRC2009/TPI2007		(Matrix)							
									Weight: 237 lb	FT = 20%

LUMBER-	BRACING-
TOP CHORD 2x4 SP No.2	TOP CHORD Structural wood sheathing directly applied or 6-0-0 oc purlins.
BOT CHORD 2x4 SP No.2	BOT CHORD Rigid ceiling directly applied or 10-0-0 oc bracing.
OTHERS 2x4 SP No.3	WEBS 1 Row at midpt K-AF, M-AE

MiTek recommends that Stabilizers and required cross bracing be installed during truss erection, in accordance with Stabilizer Installation guide.

REACTIONS. All bearings 36-11-0.
 (lb) - Max Horz B=243(LC 8)
 Max Uplift All uplift 100 lb or less at joint(s) B, AI, AM, AB, X except AG=-134(LC 8), AJ=-104(LC 8), AK=-102(LC 8), AL=-108(LC 8), AN=-161(LC 8), AD=-143(LC 9), AA=-104(LC 9), Z=-102(LC 9), Y=-110(LC 9), W=-183(LC 9)
 Max Grav All reactions 250 lb or less at joint(s) B, AF, AG, AI, AJ, AK, AL, AM, AE, AD, AB, AA, Z, Y, X, V except AN=261(LC 13), W=275(LC 14)

FORCES. (lb) - Max. Comp./Max. Ten. - All forces 250 (lb) or less except when shown.
 TOP CHORD B-C=-372/43, I-J=-47/327, J-K=-47/462, K-L=-45/436, L-M=-45/436, M-N=-47/462, N-O=-47/327, U-V=-378/39
 BOT CHORD B-AN=0/404, AM-AN=0/404, AL-AM=0/404, AK-AL=0/404, AJ-AK=0/404, AI-AJ=0/404, AH-AI=0/404, AG-AH=0/404, AF-AG=0/404, AE-AF=0/404, AD-AE=0/404, AC-AD=0/404, AB-AC=0/404, AA-AB=0/404, Z-AA=0/404, Y-Z=0/404, X-Y=0/404, W-X=0/404, V-W=0/404
 WEBS J-AG=-122/280, C-AN=-187/337, N-AD=-122/280, U-W=-198/357

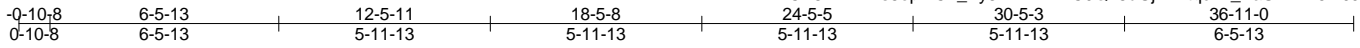
- NOTES-**
- Unbalanced roof live loads have been considered for this design.
 - Wind: ASCE 7-05; 130mph; TCDL=6.0psf; BCDL=6.0psf; h=25ft; Cat. II; Exp C; enclosed; MWFRS (low-rise) and C-C Exterior(2) zone; end vertical left and right exposed; C-C for members and forces & MWFRS for reactions shown; Lumber DOL=1.60 plate grip DOL=1.60
 - Truss designed for wind loads in the plane of the truss only. For studs exposed to wind (normal to the face), see Standard Industry Gable End Details as applicable, or consult qualified building designer as per ANSI/TPI 1.
 - This truss has been designed for basic load combinations, which include cases with reductions for multiple concurrent live loads.
 - All plates are 2x4 MT20 unless otherwise indicated.
 - Gable requires continuous bottom chord bearing.
 - Gable studs spaced at 2-0-0 oc.
 - This truss has been designed for a 10.0 psf bottom chord live load nonconcurrent with any other live loads.
 - * This truss has been designed for a live load of 20.0psf on the bottom chord in all areas where a rectangle 3-6-0 tall by 2-0-0 wide will fit between the bottom chord and any other members.
 - Provide mechanical connection (by others) of truss to bearing plate capable of withstanding 100 lb uplift at joint(s) B, AI, AM, AB, X except (jt=lb) AG=134, AJ=104, AK=102, AL=108, AN=161, AD=143, AA=104, Z=102, Y=110, W=183.
 - This truss is designed in accordance with the 2009 International Residential Code sections R502.11.1 and R802.10.2 and referenced standard ANSI/TPI 1.
 - "Semi-rigid pitchbreaks including heels" Member end fixity model was used in the analysis and design of this truss.

LOAD CASE(S) Standard

Job	Truss	Truss Type	Qty	Ply	H&H-NC/Dogwood/
MASTER	A02	Common	18	1	

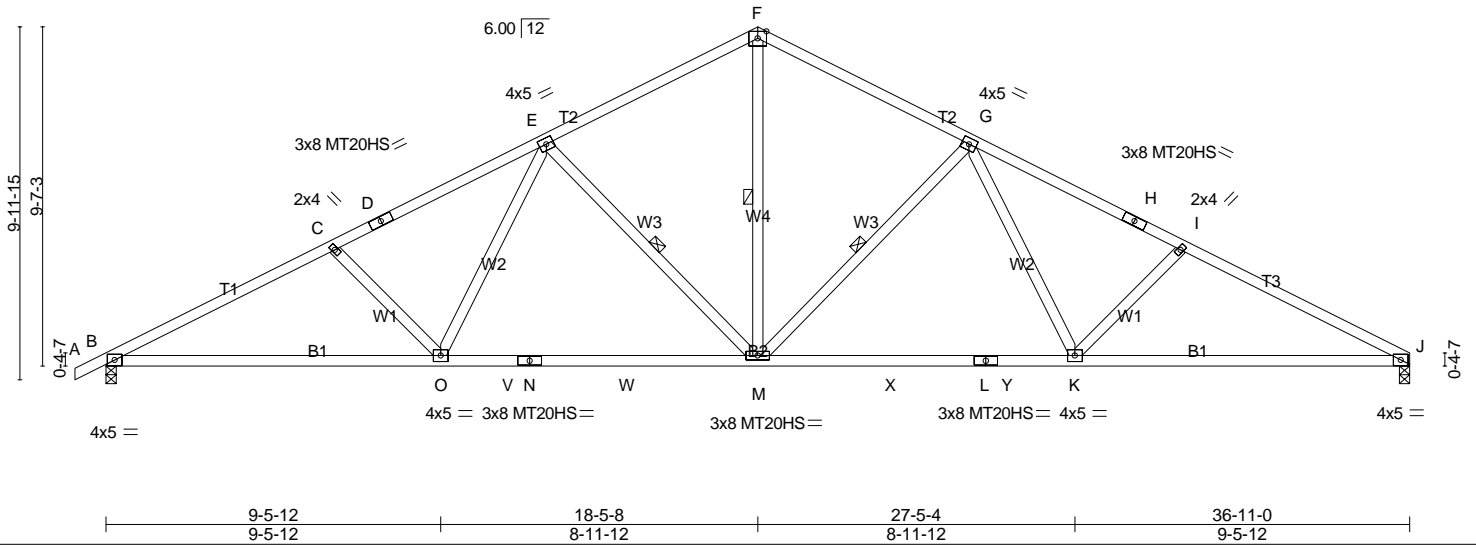
Builders FirstSource, N. Charleston, SC

Run: 7.640 s Apr 22 2016 Print: 7.640 s Apr 22 2016 MiTek Industries, Inc. Mon Dec 18 14:53:05 2017 Page 1
 ID:?hrBCA8NTN1Es8op2ICn_Py8kIV-mBxzC0Q48dGjPIRitqc72_KaShZ7A6hI9JHR0Uy7ixS



5x6 =

Scale = 1:65.2



LOADING (psf)	SPACING- 2-0-0	CSI.	DEFL. in (loc) l/defl L/d	PLATES	GRIP
TCLL 20.0	Plate Grip DOL 1.15	TC 0.76	Vert(LL) -0.26 M-O >999 360	MT20	244/190
TCDL 10.0	Lumber DOL 1.15	BC 0.95	Vert(TL) -0.59 M-O >745 240	MT20HS	187/143
BCLL 0.0 *	Rep Stress Incr YES	WB 0.51	Horz(TL) 0.15 J n/a n/a		
BCDL 10.0	Code IRC2009/TPI2007	(Matrix-S)	Wind(LL) 0.26 M-O >999 240		Weight: 189 lb FT = 20%

LUMBER-
 TOP CHORD 2x4 SP No.2
 BOT CHORD 2x4 SP No.2
 WEBS 2x4 SP No.3

BRACING-
 TOP CHORD Structural wood sheathing directly applied.
 BOT CHORD Rigid ceiling directly applied.
 WEBS 1 Row at midpt F-M, G-M, E-M

MiTek recommends that Stabilizers and required cross bracing be installed during truss erection, in accordance with Stabilizer Installation guide.

REACTIONS. (lb/size) B=1529/0-3-8 (min. 0-1-13), J=1476/0-3-8 (min. 0-1-12)
 Max Horz B=247(LC 8)
 Max Uplift B=-620(LC 8), J=-547(LC 9)

FORCES. (lb) - Max. Comp./Max. Ten. - All forces 250 (lb) or less except when shown.
 TOP CHORD B-C=-2683/2458, C-D=-2429/2287, D-E=-2351/2317, E-F=-1720/1824, F-G=-1720/1824, G-H=-2353/2319, H-I=-2431/2289, I-J=-2685/2460
 BOT CHORD B-O=-2017/2327, O-V=-1460/1908, N-V=-1460/1908, N-W=-1460/1908, M-W=-1460/1908, M-X=-1461/1909, L-X=-1461/1909, L-Y=-1461/1909, K-Y=-1461/1909, J-K=-2020/2329
 WEBS F-M=-1143/1149, G-M=-660/860, G-K=-349/489, I-K=-329/592, E-M=-659/859, E-O=-347/488, C-O=-328/591

- NOTES-**
- 1) Unbalanced roof live loads have been considered for this design.
 - 2) Wind: ASCE 7-05; 130mph; TCDL=6.0psf; BCDL=6.0psf; h=25ft; Cat. II; Exp C; enclosed; MWFRS (low-rise) and C-C Exterior(2) zone; end vertical left and right exposed; C-C for members and forces & MWFRS for reactions shown; Lumber DOL=1.60 plate grip DOL=1.60
 - 3) This truss has been designed for basic load combinations, which include cases with reductions for multiple concurrent live loads.
 - 4) All plates are MT20 plates unless otherwise indicated.
 - 5) This truss has been designed for a 10.0 psf bottom chord live load nonconcurrent with any other live loads.
 - 6) * This truss has been designed for a live load of 20.0psf on the bottom chord in all areas where a rectangle 3-6-0 tall by 2-0-0 wide will fit between the bottom chord and any other members, with BCDL = 10.0psf.
 - 7) Provide mechanical connection (by others) of truss to bearing plate capable of withstanding 100 lb uplift at joint(s) except (jt=lb) B=620, J=547.
 - 8) This truss is designed in accordance with the 2009 International Residential Code sections R502.11.1 and R802.10.2 and referenced standard ANSI/TPI 1.
 - 9) This truss design requires that a minimum of 7/16" structural wood sheathing be applied directly to the top chord and 1/2" gypsum sheetrock be applied directly to the bottom chord.

LOAD CASE(S) Standard

Job	Truss	Truss Type	Qty	Ply	H&H-NC/Dogwood/
MASTER	A03	COMMON	12	1	

Builders FirstSource, N. Charleston, SC

Run: 7.640 s Apr 22 2016 Print: 7.640 s Apr 22 2016 MiTek Industries, Inc. Mon Dec 18 14:53:06 2017 Page 1
 ID:?hrBCA8NTN1Es8op2lCn_Py8klV-EOVLPMRjvxOa1u0uRY7MaBtlL5vjvYzROz1_Zwy7ixR

0-10-8	6-8-15	12-0-0	18-5-8	24-11-0	30-2-1	36-11-0	37-9-8
0-10-8	6-8-15	5-3-1	6-5-8	6-5-8	5-3-1	6-8-15	0-10-8

Scale = 1:61.9

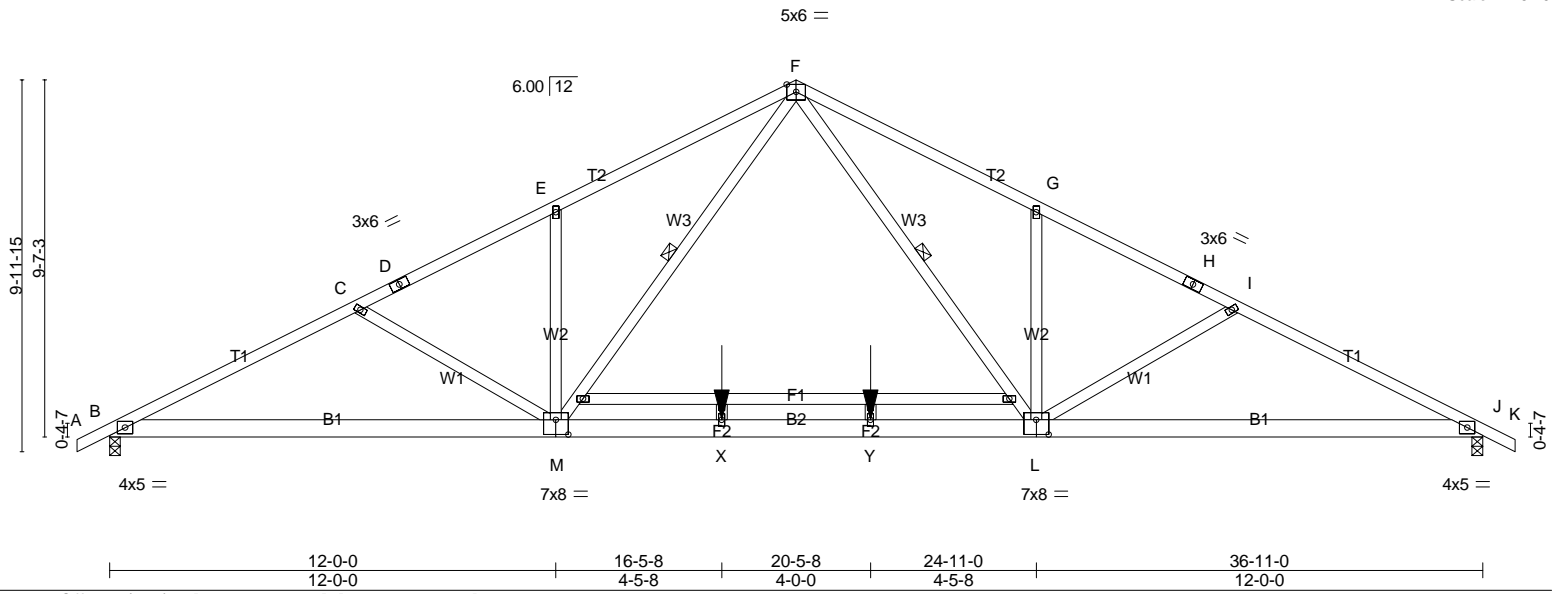


Plate Offsets (X,Y)-- [L:0-4-0,0-4-12], [M:0-4-0,0-4-12]

LOADING (psf)	SPACING-	CSI.	DEFL.	PLATES	GRIP
TCLL 20.0	2-0-0	TC 0.75	in (loc) l/defl L/d	MT20	244/190
TCDL 10.0	Plate Grip DOL 1.15	BC 0.93	Vert(LL) -0.16 M-U >999 360		
BCLL 0.0 *	Lumber DOL 1.15	WB 0.57	Vert(TL) -0.88 L-M >504 240		
BCDL 10.0	Rep Stress Incr YES	(Matrix-S)	Horz(TL) 0.12 J n/a n/a		
	Code IRC2009/TPI2007		Wind(LL) 0.28 L-W >999 240		
				Weight: 236 lb	FT = 20%

LUMBER-
 TOP CHORD 2x4 SP No.2
 BOT CHORD 2x6 SP No.2
 WEBS 2x4 SP No.3

BRACING-
 TOP CHORD Structural wood sheathing directly applied.
 BOT CHORD Rigid ceiling directly applied.
 WEBS 1 Row at midpt F-L, F-M

MiTek recommends that Stabilizers and required cross bracing be installed during truss erection, in accordance with Stabilizer Installation guide.

REACTIONS. (lb/size) B=1629/0-3-8 (min. 0-1-15), J=1629/0-3-8 (min. 0-1-15)
 Max Horz B=236(LC 8)
 Max UpliftB=-519(LC 8), J=-519(LC 9)

FORCES. (lb) - Max. Comp./Max. Ten. - All forces 250 (lb) or less except when shown.
 TOP CHORD B-C=-2998/2295, C-D=-2652/1940, D-E=-2521/1966, E-F=-2662/2287, F-G=-2662/2287,
 G-H=-2521/1966, H-I=-2652/1940, I-J=-2998/2296
 BOT CHORD B-M=-1832/2638, M-X=-741/1636, X-Y=-741/1636, L-Y=-741/1636, J-L=-1838/2638
 WEBS F-L=-910/1185, G-L=-363/641, I-L=-389/672, F-M=-910/1185, E-M=-363/641, C-M=-389/672

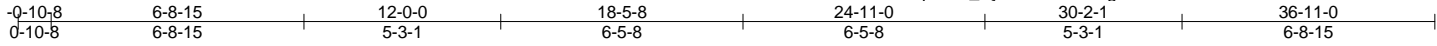
- NOTES-**
- 1) Unbalanced roof live loads have been considered for this design.
 - 2) Wind: ASCE 7-05; 130mph; TCDL=6.0psf; BCDL=6.0psf; h=25ft; Cat. II; Exp C; enclosed; MWFRS (low-rise) and C-C Exterior(2) zone; end vertical left and right exposed; C-C for members and forces & MWFRS for reactions shown; Lumber DOL=1.60 plate grip DOL=1.60
 - 3) 200.0lb AC unit load placed on the bottom chord, 18-5-8 from left end, supported at two points, 4-0-0 apart.
 - 4) This truss has been designed for basic load combinations, which include cases with reductions for multiple concurrent live loads.
 - 5) All plates are 2x4 MT20 unless otherwise indicated.
 - 6) This truss has been designed for a 10.0 psf bottom chord live load nonconcurrent with any other live loads.
 - 7) * This truss has been designed for a live load of 20.0psf on the bottom chord in all areas where a rectangle 3-6-0 tall by 2-0-0 wide will fit between the bottom chord and any other members.
 - 8) Provide mechanical connection (by others) of truss to bearing plate capable of withstanding 100 lb uplift at joint(s) except (jt=lb) B=519, J=519.
 - 9) This truss is designed in accordance with the 2009 International Residential Code sections R502.11.1 and R802.10.2 and referenced standard ANSI/TPI 1.
 - 10) This truss design requires that a minimum of 7/16" structural wood sheathing be applied directly to the top chord and 1/2" gypsum sheetrock be applied directly to the bottom chord.

LOAD CASE(S) Standard

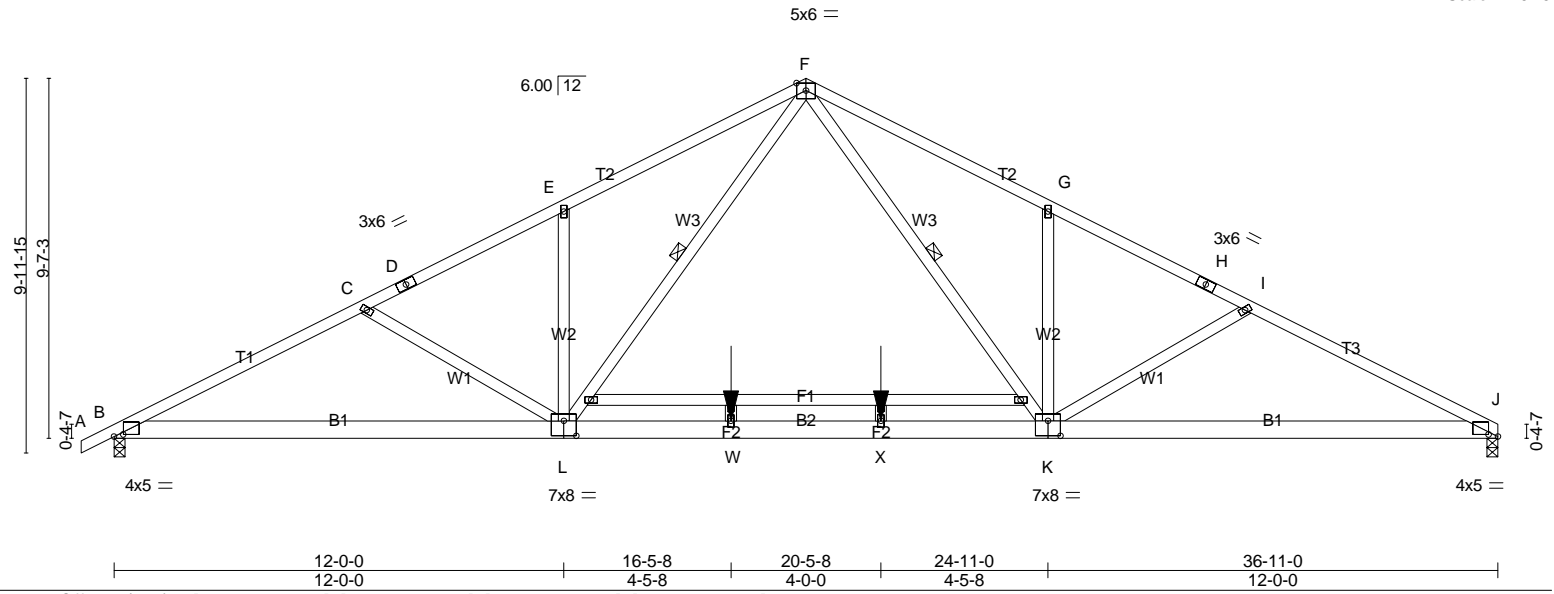
Job	Truss	Truss Type	Qty	Ply	H&H-NC/Dogwood/
MASTER	A04	Common	2	1	
					Job Reference (optional)

Builders FirstSource, N. Charleston, SC

Run: 7.640 s Apr 22 2016 Print: 7.640 s Apr 22 2016 MiTek Industries, Inc. Mon Dec 18 14:53:07 2017 Page 1
 ID: ?hrBCA8NTN1Es8op2ICn_Py8kIV-ia3kdiSLgFWQe2b5?Feb7PQw3UFwe?AbddmX5Ny7ixQ



Scale = 1:61.5



LOADING (psf)	SPACING-	CSI.	DEFL.	PLATES	GRIP
TCLL 20.0	2-0-0	TC 0.76	in (loc) l/defl L/d	MT20	244/190
TCDL 10.0	Plate Grip DOL 1.15	BC 0.93	Vert(LL) -0.16 L-T >999 360		
BCLL 0.0 *	Lumber DOL 1.15	WB 0.57	Vert(TL) -0.88 K-L >504 240		
BCDL 10.0	Rep Stress Incr YES	(Matrix-S)	Horz(TL) 0.12 J n/a n/a		
	Code IRC2009/TPI2007		Wind(LL) 0.29 K-V >999 240		
				Weight: 235 lb	FT = 20%

LUMBER-
 TOP CHORD 2x4 SP No.2
 BOT CHORD 2x6 SP No.2
 WEBS 2x4 SP No.3

BRACING-
 TOP CHORD Structural wood sheathing directly applied.
 BOT CHORD Rigid ceiling directly applied.
 WEBS 1 Row at midpt F-K, F-L

MiTek recommends that Stabilizers and required cross bracing be installed during truss erection, in accordance with Stabilizer Installation guide.

REACTIONS. (lb/size) B=1630/0-3-8 (min. 0-1-15), J=1576/0-3-8 (min. 0-1-14)
 Max Horz B=247(LC 8)
 Max Uplift B=-519(LC 8), J=-445(LC 9)

FORCES. (lb) - Max. Comp./Max. Ten. - All forces 250 (lb) or less except when shown.
 TOP CHORD B-C=-3000/2299, C-D=-2653/1944, D-E=-2522/1970, E-F=-2663/2291, F-G=-2666/2294,
 G-H=-2525/1974, H-I=-2655/1948, I-J=-3003/2305
 BOT CHORD B-L=-1878/2639, L-W=-782/1637, W-X=-782/1637, K-X=-782/1637, J-K=-1884/2643
 WEBS F-K=-914/1188, G-K=-363/639, I-K=-392/676, F-L=-908/1185, E-L=-363/641, C-L=-389/672

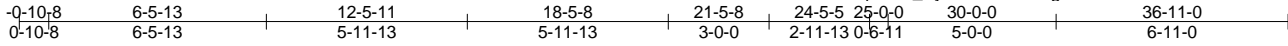
- NOTES-**
- 1) Unbalanced roof live loads have been considered for this design.
 - 2) Wind: ASCE 7-05; 130mph; TCDL=6.0psf; BCDL=6.0psf; h=25ft; Cat. II; Exp C; enclosed; MWFRS (low-rise) and C-C Exterior(2) zone; end vertical left and right exposed; C-C for members and forces & MWFRS for reactions shown; Lumber DOL=1.60 plate grip DOL=1.60
 - 3) 200.0lb AC unit load placed on the bottom chord, 18-5-8 from left end, supported at two points, 4-0-0 apart.
 - 4) This truss has been designed for basic load combinations, which include cases with reductions for multiple concurrent live loads.
 - 5) All plates are 2x4 MT20 unless otherwise indicated.
 - 6) This truss has been designed for a 10.0 psf bottom chord live load nonconcurrent with any other live loads.
 - 7) * This truss has been designed for a live load of 20.0psf on the bottom chord in all areas where a rectangle 3-6-0 tall by 2-0-0 wide will fit between the bottom chord and any other members.
 - 8) Provide mechanical connection (by others) of truss to bearing plate capable of withstanding 100 lb uplift at joint(s) except (jt=lb) B=519, J=445.
 - 9) This truss is designed in accordance with the 2009 International Residential Code sections R502.11.1 and R802.10.2 and referenced standard ANSI/TPI 1.
 - 10) This truss design requires that a minimum of 7/16" structural wood sheathing be applied directly to the top chord and 1/2" gypsum sheetrock be applied directly to the bottom chord.

LOAD CASE(S) Standard

Job	Truss	Truss Type	Qty	Ply	H&H-NC/Dogwood/
MASTER	A05	Roof Special	4	1	

Builders FirstSource, N. Charleston, SC

Run: 7.640 s Apr 22 2016 Print: 7.640 s Apr 22 2016 MiTek Industries, Inc. Mon Dec 18 14:53:07 2017 Page 1
 ID: ?hrBCA8NTN1Es8op2lCn_Py8kIV-ia3kdiSLgFWQe2b5?Feb7PQxYUGXevobddmX5Ny7ixQ



Scale = 1:68.6

8x14 MT18H ||

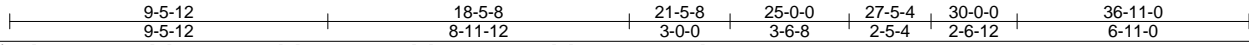
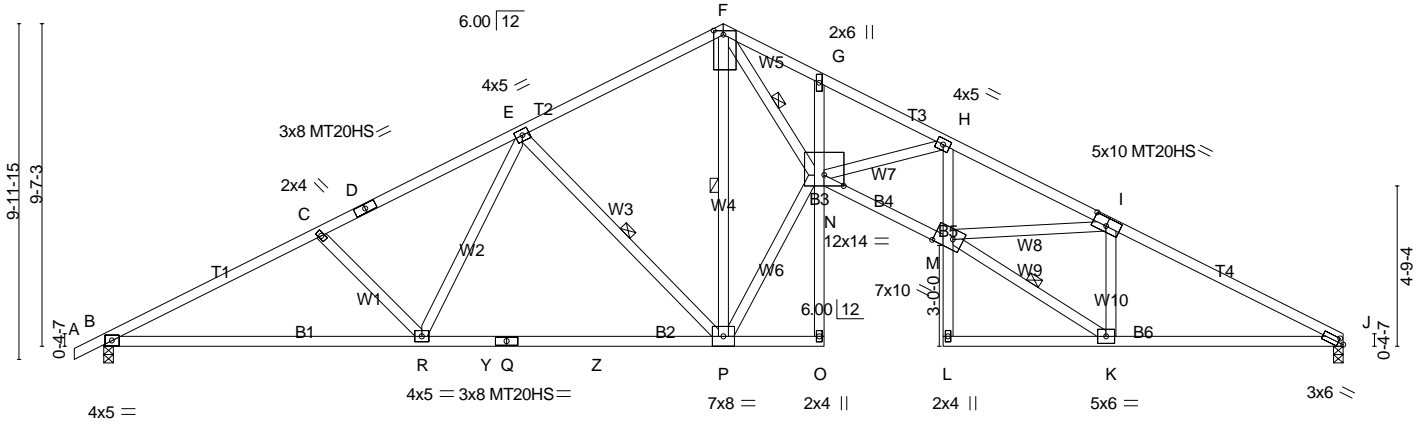


Plate Offsets (X,Y)-- [F:0-1-8,0-3-8], [I:0-5-0,0-3-0], [J:0-2-0,0-1-8], [M:0-6-8,Edge], [N:0-7-0,0-3-15]

LOADING (psf)	SPACING-	2-0-0	CSI.	DEFL.	in	(loc)	l/defl	L/d	PLATES	GRIP
TCLL 20.0	Plate Grip DOL	1.15	TC 0.66	Vert(LL)	-0.40	O	>999	360	MT20	244/190
TCDL 10.0	Lumber DOL	1.15	BC 0.89	Vert(TL)	-0.99	N	>446	240	MT20HS	187/143
BCLL 0.0 *	Rep Stress Incr	YES	WB 0.92	Horz(TL)	0.67	J	n/a	n/a	MT18H	244/190
BCDL 10.0	Code IRC2009/TPI2007		(Matrix-S)	Wind(LL)	0.60	O	>733	240		Weight: 221 lb FT = 20%

LUMBER-

TOP CHORD 2x4 SP No.1
 BOT CHORD 2x4 SP No.2 *Except*
 B4: 2x4 SP No.1
 WEBS 2x4 SP No.3 *Except*
 W6,W9: 2x4 SP No.2, W5: 2x4 SP No.1

BRACING-

TOP CHORD Structural wood sheathing directly applied.
 BOT CHORD Rigid ceiling directly applied.
 WEBS 1 Row at midpt F-N, K-M, E-P, F-P

MiTek recommends that Stabilizers and required cross bracing be installed during truss erection, in accordance with Stabilizer Installation guide.

REACTIONS. (lb/size) B=1528/0-3-8 (min. 0-1-13), J=1478/0-3-8 (min. 0-1-12)
 Max Horz B=247(LC 8)
 Max UpliftB=618(LC 8), J=549(LC 9)

FORCES. (lb) - Max. Comp./Max. Ten. - All forces 250 (lb) or less except when shown.
 TOP CHORD B-C=-2655/2429, C-D=-2407/2262, D-E=-2331/2292, E-F=-1705/1812, F-G=-4612/3983,
 G-H=-4733/3902, H-I=-4657/4003, I-J=-2640/2341
 BOT CHORD B-R=-1988/2298, R-Y=-1448/1896, Q-Y=-1448/1896, Q-Z=-1448/1896, P-Z=-1448/1896,
 M-N=-3400/4499, H-M=-312/213, J-K=-1891/2274
 WEBS N-P=-1609/2762, F-N=-3581/4998, H-N=-102/322, K-M=-2255/2700, I-M=-1189/1802,
 E-R=-329/487, C-R=-318/577, E-P=-659/866, F-P=-1751/850, I-K=-1390/1326

NOTES-

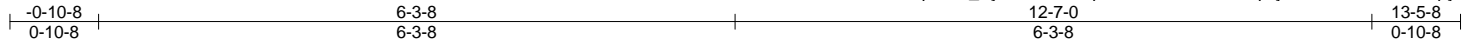
- 1) Unbalanced roof live loads have been considered for this design.
- 2) Wind: ASCE 7-05; 130mph; TCDL=6.0psf; BCDL=6.0psf; h=25ft; Cat. II; Exp C; enclosed; MWFRS (low-rise) and C-C Exterior(2) zone; end vertical left and right exposed; C-C for members and forces & MWFRS for reactions shown; Lumber DOL=1.60 plate grip DOL=1.60
- 3) This truss has been designed for basic load combinations, which include cases with reductions for multiple concurrent live loads.
- 4) All plates are MT20 plates unless otherwise indicated.
- 5) This truss has been designed for a 10.0 psf bottom chord live load nonconcurrent with any other live loads.
- 6) * This truss has been designed for a live load of 20.0psf on the bottom chord in all areas where a rectangle 3-6-0 tall by 2-0-0 wide will fit between the bottom chord and any other members, with BCDL = 10.0psf.
- 7) Provide mechanical connection (by others) of truss to bearing plate capable of withstanding 100 lb uplift at joint(s) except (jt=lb) B=618, J=549.
- 8) This truss is designed in accordance with the 2009 International Residential Code sections R502.11.1 and R802.10.2 and referenced standard ANSI/TPI 1.
- 9) This truss design requires that a minimum of 7/16" structural wood sheathing be applied directly to the top chord and 1/2" gypsum sheetrock be applied directly to the bottom chord.

LOAD CASE(S) Standard

Job	Truss	Truss Type	Qty	Ply	H&H-NC/Dogwood/
MASTER	B01	Common Supported Gable	3	1	
					Job Reference (optional)

Builders FirstSource, N. Charleston, SC

Run: 7.640 s Apr 22 2016 Print: 7.640 s Apr 22 2016 MiTek Industries, Inc. Mon Dec 18 14:53:08 2017 Page 1
ID:?hrBCA8NTN1Es8op2lCn_Py8klV-Bmd6q2SzRYeHGC9HZz9qfeyE5unQNZekrHW5dpy7ixP



Scale = 1:22.8

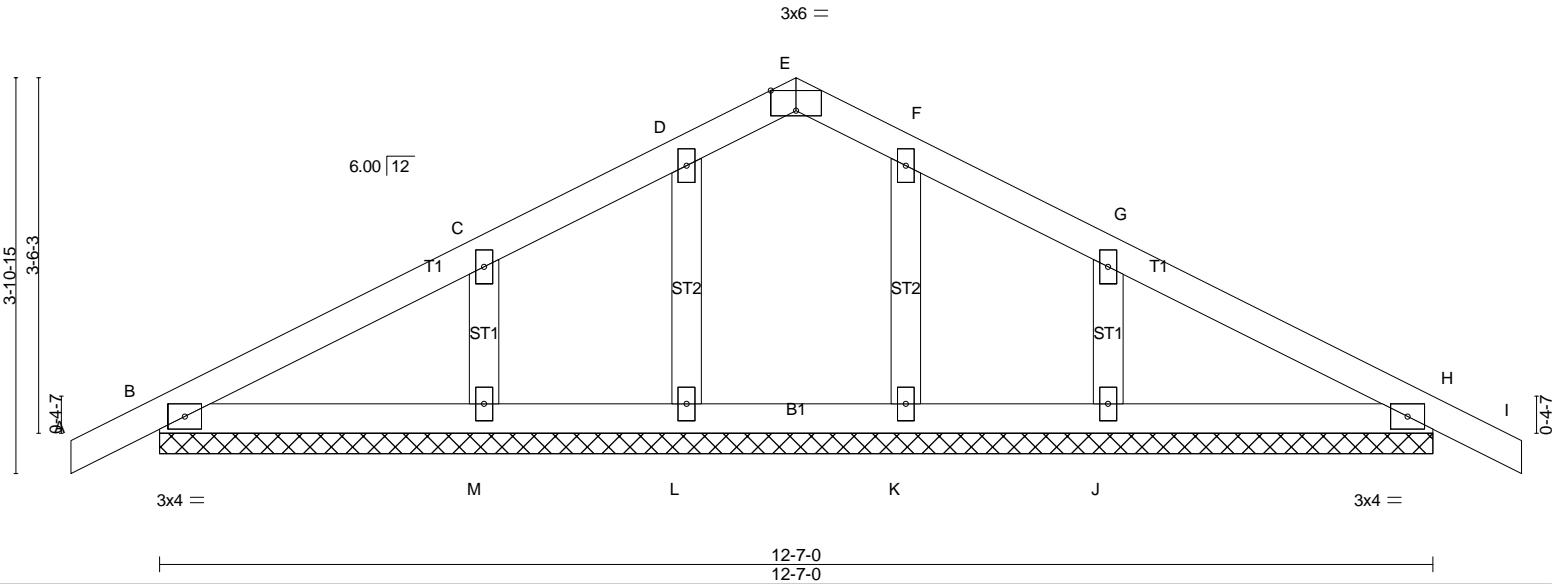


Plate Offsets (X,Y)-- [E:0-3-0,Edge]

LOADING (psf)	SPACING-	2-0-0	CSI.	DEFL.	in (loc)	l/defl	L/d	PLATES	GRIP
TCLL 20.0	Plate Grip DOL	1.15	TC 0.16	Vert(LL)	0.00	l	n/r	MT20	244/190
TCDL 10.0	Lumber DOL	1.15	BC 0.08	Vert(TL)	0.01	l	n/r		
BCLL 0.0 *	Rep Stress Incr	YES	WB 0.11	Horz(TL)	0.00	H	n/a		
BCDL 10.0	Code IRC2009/TPI2007		(Matrix)						
								Weight: 54 lb	FT = 20%

LUMBER-
TOP CHORD 2x4 SP No.2
BOT CHORD 2x4 SP No.2
OTHERS 2x4 SP No.3

BRACING-
TOP CHORD Structural wood sheathing directly applied or 6-0-0 oc purlins.
BOT CHORD Rigid ceiling directly applied or 10-0-0 oc bracing.

MiTek recommends that Stabilizers and required cross bracing be installed during truss erection, in accordance with Stabilizer Installation guide.

REACTIONS. All bearings 12-7-0.
(lb) - Max Horz B=98(LC 8)
Max Uplift All uplift 100 lb or less at joint(s) B, L, K except H=-107(LC 9), M=-157(LC 8), J=-160(LC 9)
Max Grav All reactions 250 lb or less at joint(s) B, H, L, M, K, J

FORCES. (lb) - Max. Comp./Max. Ten. - All forces 250 (lb) or less except when shown.
WEBS C-M=-180/373, G-J=-180/373

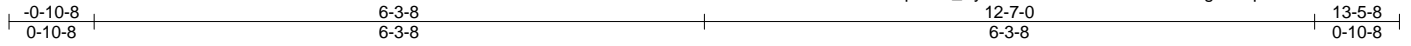
- NOTES-**
- 1) Unbalanced roof live loads have been considered for this design.
 - 2) Wind: ASCE 7-05; 130mph; TC DL=6.0psf; BC DL=6.0psf; h=25ft; Cat. II; Exp C; enclosed; MWFRS (low-rise) and C-C Exterior(2) zone; end vertical left and right exposed; C-C for members and forces & MWFRS for reactions shown; Lumber DOL=1.60 plate grip DOL=1.60
 - 3) Truss designed for wind loads in the plane of the truss only. For studs exposed to wind (normal to the face), see Standard Industry Gable End Details as applicable, or consult qualified building designer as per ANSI/TPI 1.
 - 4) This truss has been designed for basic load combinations, which include cases with reductions for multiple concurrent live loads.
 - 5) All plates are 2x4 MT20 unless otherwise indicated.
 - 6) Gable requires continuous bottom chord bearing.
 - 7) Gable studs spaced at 2-0-0 oc.
 - 8) This truss has been designed for a 10.0 psf bottom chord live load nonconcurrent with any other live loads.
 - 9) * This truss has been designed for a live load of 20.0psf on the bottom chord in all areas where a rectangle 3-6-0 tall by 2-0-0 wide will fit between the bottom chord and any other members.
 - 10) Provide mechanical connection (by others) of truss to bearing plate capable of withstanding 100 lb uplift at joint(s) B, L, K except (jt=lb) H=107, M=157, J=160.
 - 11) This truss is designed in accordance with the 2009 International Residential Code sections R502.11.1 and R802.10.2 and referenced standard ANSI/TPI 1.
 - 12) "Semi-rigid pitchbreaks including heels" Member end fixity model was used in the analysis and design of this truss.

LOAD CASE(S) Standard

Job	Truss	Truss Type	Qty	Ply	H&H-NC/Dogwood/
MASTER	B02	Common	3	1	Job Reference (optional)

Builders FirstSource, N. Charleston, SC

Run: 7.640 s Apr 22 2016 Print: 7.640 s Apr 22 2016 MiTek Industries, Inc. Mon Dec 18 14:53:09 2017 Page 1
ID:?hrBCA8NTN1Es8op2lCn_Py8kIV-fzAU2OTbBsm8uMkT6gh3CqVK1l3n6?7u4xFe9Fy7ixO



Scale = 1:23.8

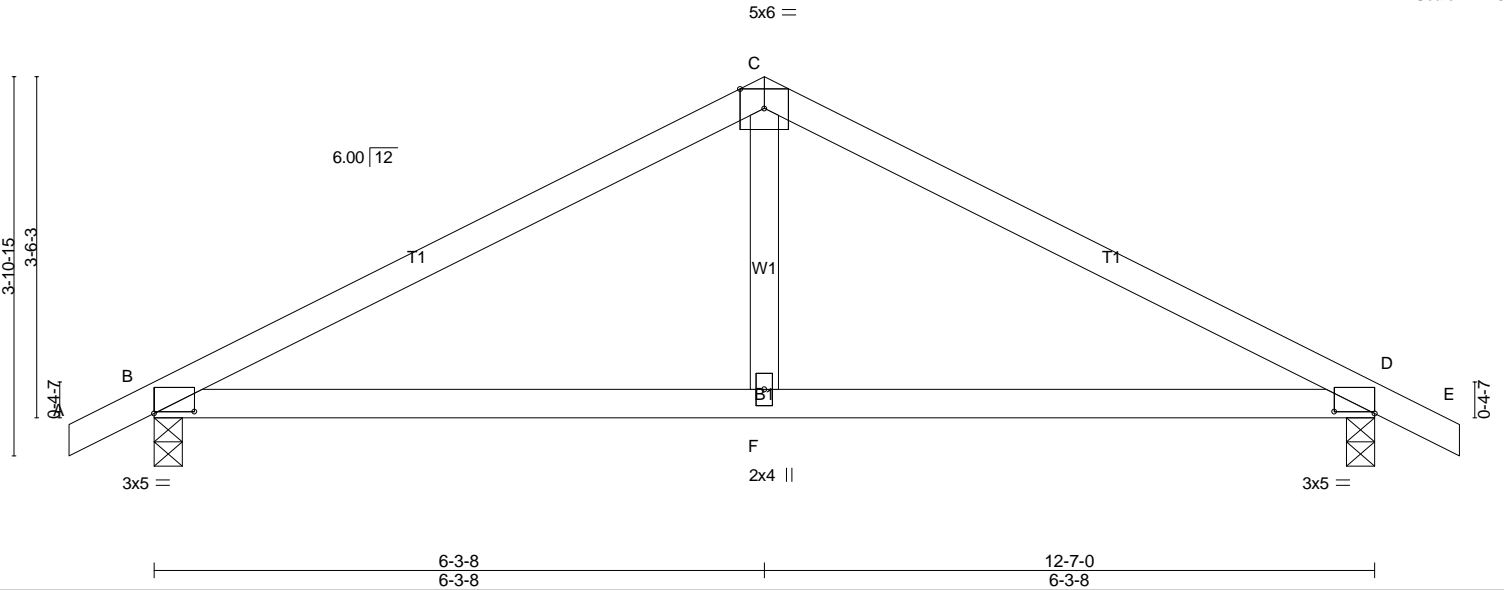


Plate Offsets (X,Y)-- [B:0-5-0,0-0-4], [D:0-5-0,0-0-4]

LOADING (psf)	SPACING-	2-0-0	CSI.	DEFL.	in	(loc)	l/defl	L/d	PLATES	GRIP
TCLL 20.0	Plate Grip DOL	1.15	TC 0.47	Vert(LL)	-0.02	F-L	>999	360	MT20	244/190
TCDL 10.0	Lumber DOL	1.15	BC 0.33	Vert(TL)	-0.07	F-L	>999	240		
BCLL 0.0 *	Rep Stress Incr	YES	WB 0.10	Horz(TL)	0.01	D	n/a	n/a		
BCDL 10.0	Code IRC2009/TPI2007		(Matrix-S)	Wind(LL)	0.04	F-L	>999	240		
									Weight: 47 lb	FT = 20%

LUMBER-
 TOP CHORD 2x4 SP No.2
 BOT CHORD 2x4 SP No.2
 WEBS 2x4 SP No.3

BRACING-
 TOP CHORD Structural wood sheathing directly applied.
 BOT CHORD Rigid ceiling directly applied.

MiTek recommends that Stabilizers and required cross bracing be installed during truss erection, in accordance with Stabilizer Installation guide.

REACTIONS. (lb/size) B=556/0-3-8 (min. 0-1-8), D=556/0-3-8 (min. 0-1-8)
 Max Horz B=-100(LC 9)
 Max Uplift B=-267(LC 8), D=-267(LC 9)

FORCES. (lb) - Max. Comp./Max. Ten. - All forces 250 (lb) or less except when shown.
 TOP CHORD B-C=-633/597, C-D=-633/597
 BOT CHORD B-F=-300/497, D-F=-300/497
 WEBS C-F=0/254

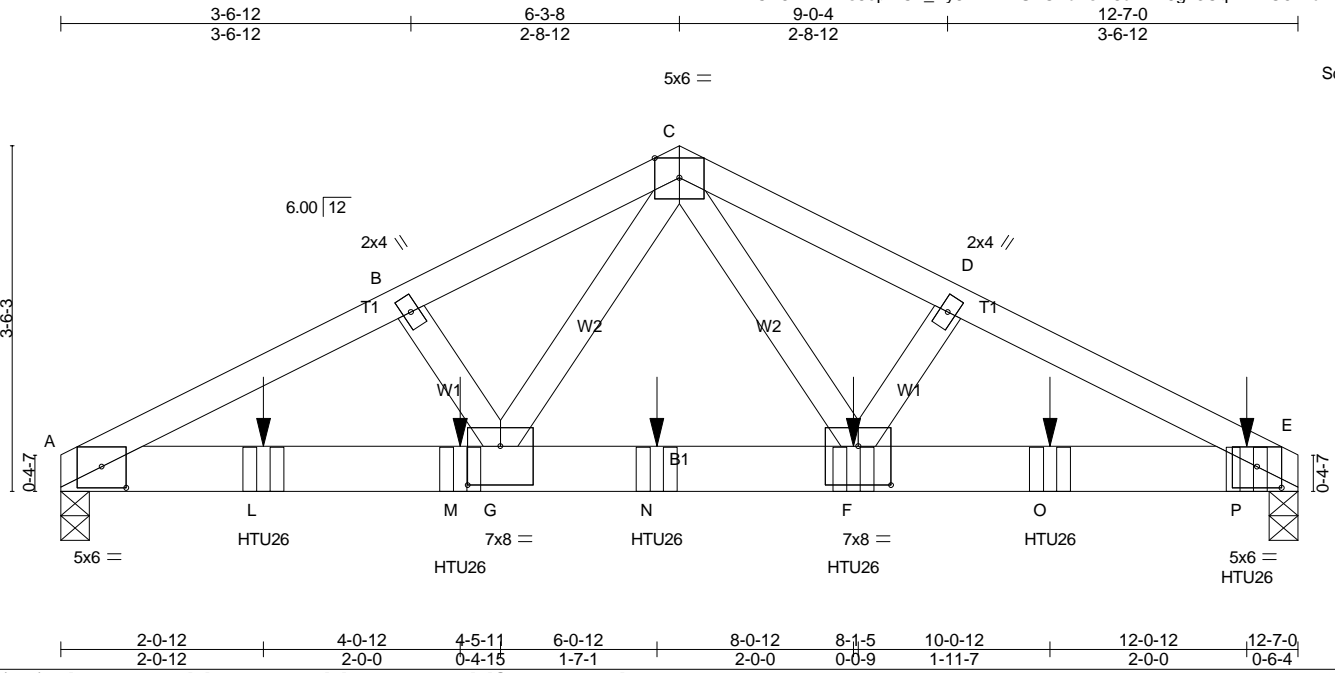
- NOTES-**
- Unbalanced roof live loads have been considered for this design.
 - Wind: ASCE 7-05; 130mph; TCDL=6.0psf; BCDL=6.0psf; h=25ft; Cat. II; Exp C; enclosed; MWFRS (low-rise) and C-C Exterior(2) zone; end vertical left and right exposed; C-C for members and forces & MWFRS for reactions shown; Lumber DOL=1.60 plate grip DOL=1.60
 - This truss has been designed for basic load combinations, which include cases with reductions for multiple concurrent live loads.
 - This truss has been designed for a 10.0 psf bottom chord live load nonconcurrent with any other live loads.
 - * This truss has been designed for a live load of 20.0psf on the bottom chord in all areas where a rectangle 3-6-0 tall by 2-0-0 wide will fit between the bottom chord and any other members.
 - Provide mechanical connection (by others) of truss to bearing plate capable of withstanding 100 lb uplift at joint(s) except (jt=lb) B=267, D=267.
 - This truss is designed in accordance with the 2009 International Residential Code sections R502.11.1 and R802.10.2 and referenced standard ANSI/TPI 1.
 - This truss design requires that a minimum of 7/16" structural wood sheathing be applied directly to the top chord and 1/2" gypsum sheetrock be applied directly to the bottom chord.

LOAD CASE(S) Standard

Job	Truss	Truss Type	Qty	Ply	H&H-NC/Dogwood/
MASTER	B03	Common Girder	2	2	Job Reference (optional)

Builders FirstSource, N. Charleston, SC

Run: 7.640 s Apr 22 2016 Print: 7.640 s Apr 22 2016 MiTek Industries, Inc. Mon Dec 18 14:53:09 2017 Page 1
ID: ?hrBCA8NTN1Es8op2lCn_Py8kIV-fzAU2OTbBsm8uMkT6gh3CqVlkl?O6v?u4xFe9Fy7ixO



Scale = 1:23.4

Plate Offsets (X,Y)-- [A:0-3-0,0-2-9], [E:0-3-0,0-2-9], [F:0-4-0,0-4-12], [G:0-4-0,0-4-12]

LOADING (psf)	SPACING-	CSI.	DEFL.	in (loc)	l/defl	L/d	PLATES	GRIP
TCLL 20.0	2-0-0	TC 0.62	Vert(LL) -0.08	F-G	>999	360	MT20	244/190
TCDL 10.0	Plate Grip DOL 1.15	BC 0.61	Vert(TL) -0.19	F-G	>789	240		
BCLL 0.0 *	Lumber DOL 1.15	WB 0.49	Horz(TL) 0.04	E	n/a	n/a		
BCDL 10.0	Rep Stress Incr NO	(Matrix-M)	Wind(LL) 0.10	F-G	>999	240		
	Code IRC2009/TPI2007						Weight: 131 lb	FT = 20%

LUMBER-
TOP CHORD 2x4 SP No.2
BOT CHORD 2x6 SP DSS
WEBS 2x4 SP No.2

BRACING-
TOP CHORD Structural wood sheathing directly applied or 3-8-12 oc purlins.
BOT CHORD Rigid ceiling directly applied or 10-0-0 oc bracing.

REACTIONS. (lb/size) A=4332/0-3-8 (min. 0-2-9), E=5418/0-3-8 (min. 0-3-3)
Max Horz A=76(LC 5)
Max Uplift A=-1654(LC 6), E=-2067(LC 7)

FORCES. (lb) - Max. Comp./Max. Ten. - All forces 250 (lb) or less except when shown.
TOP CHORD A-B=-7779/2972, B-C=-7688/2976, C-D=-7799/3017, D-E=-7891/3014
BOT CHORD A-L=-2672/6957, L-M=-2672/6957, G-M=-2672/6957, G-N=-1830/4954, F-N=-1830/4954, F-O=-2644/7069, E-O=-2644/7069,
E-P=-2640/7063
WEBS C-F=-1557/3980, C-G=-1485/3788

- NOTES-**
- 2-ply truss to be connected together with 10d (0.131"x3") nails as follows:
Top chords connected as follows: 2x4 - 1 row at 0-9-0 oc.
Bottom chords connected as follows: 2x6 - 2 rows staggered at 0-2-0 oc.
Webs connected as follows: 2x4 - 1 row at 0-9-0 oc.
 - All loads are considered equally applied to all plies, except if noted as front (F) or back (B) face in the LOAD CASE(S) section. Ply to ply connections have been provided to distribute only loads noted as (F) or (B), unless otherwise indicated.
 - Unbalanced roof live loads have been considered for this design.
 - Wind: ASCE 7-05; 130mph; TCDL=6.0psf; BCDL=6.0psf; h=25ft; Cat. II; Exp C; enclosed; MWFRS (low-rise); end vertical left and right exposed; Lumber DOL=1.60 plate grip DOL=1.60
 - This truss has been designed for basic load combinations, which include cases with reductions for multiple concurrent live loads.
 - This truss has been designed for a 10.0 psf bottom chord live load nonconcurrent with any other live loads.
 - * This truss has been designed for a live load of 20.0psf on the bottom chord in all areas where a rectangle 3-6-0 tall by 2-0-0 wide will fit between the bottom chord and any other members.
 - Provide mechanical connection (by others) of truss to bearing plate capable of withstanding 100 lb uplift at joint(s) except (jt=lb) A=1654, E=2067.
 - This truss is designed in accordance with the 2009 International Residential Code sections R502.11.1 and R802.10.2 and referenced standard ANSI/TPI 1.
 - "Semi-rigid pitchbreaks including heels" Member end fixity model was used in the analysis and design of this truss.
 - Use Simpson Strong-Tie HTU26 (20-10d Girder, 11-10dx1 1/2 Truss, Single Ply Girder) or equivalent spaced at 2-0-0 oc max. starting at 2-0-12 from the left end to 12-0-12 to connect truss(es) A02 (1 ply 2x4 SP) to back face of bottom chord.
 - Fill all nail holes where hanger is in contact with lumber.

LOAD CASE(S) Standard
1) Dead + Roof Live (balanced): Lumber Increase=1.15, Plate Increase=1.15

Job	Truss	Truss Type	Qty	Ply	H&H-NC/Dogwood/
MASTER	B03	Common Girder	2	2	Job Reference (optional)

Builders FirstSource, N. Charleston, SC

Run: 7.640 s Apr 22 2016 Print: 7.640 s Apr 22 2016 MiTek Industries, Inc. Mon Dec 18 14:53:09 2017 Page 2
 ID: ?hrBCA8NTN1Es8op2ICn_Py8kIV-fzAU2OTbBsm8uMkT6gh3CqVlkl?O6v?u4xFe9Fy7ixO

LOAD CASE(S) Standard

Uniform Loads (plf)

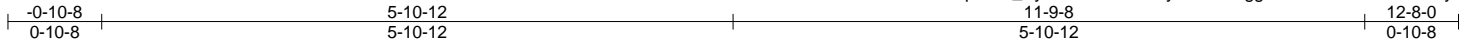
Vert: A-C=-60, C-E=-60, A-E=-20

Concentrated Loads (lb)

Vert: F=-1456(B) L=-1456(B) M=-1456(B) N=-1456(B) O=-1456(B) P=-1461(B)

Job	Truss	Truss Type	Qty	Ply	H&H-NC/Dogwood/
MASTER	C01	GABLE	2	1	
Builders FirstSource, N. Charleston, SC					
Job Reference (optional)					

Run: 7.640 s Apr 22 2016 Print: 7.640 s Apr 22 2016 MiTek Industries, Inc. Mon Dec 18 14:53:10 2017 Page 1
ID:?hrBCA8NTN1Es8op2ICn_Py8kIV-79ksFkUDyAu?VWJggNCII12a5iTArsI1Jb?City7ixN



Scale = 1:21.5

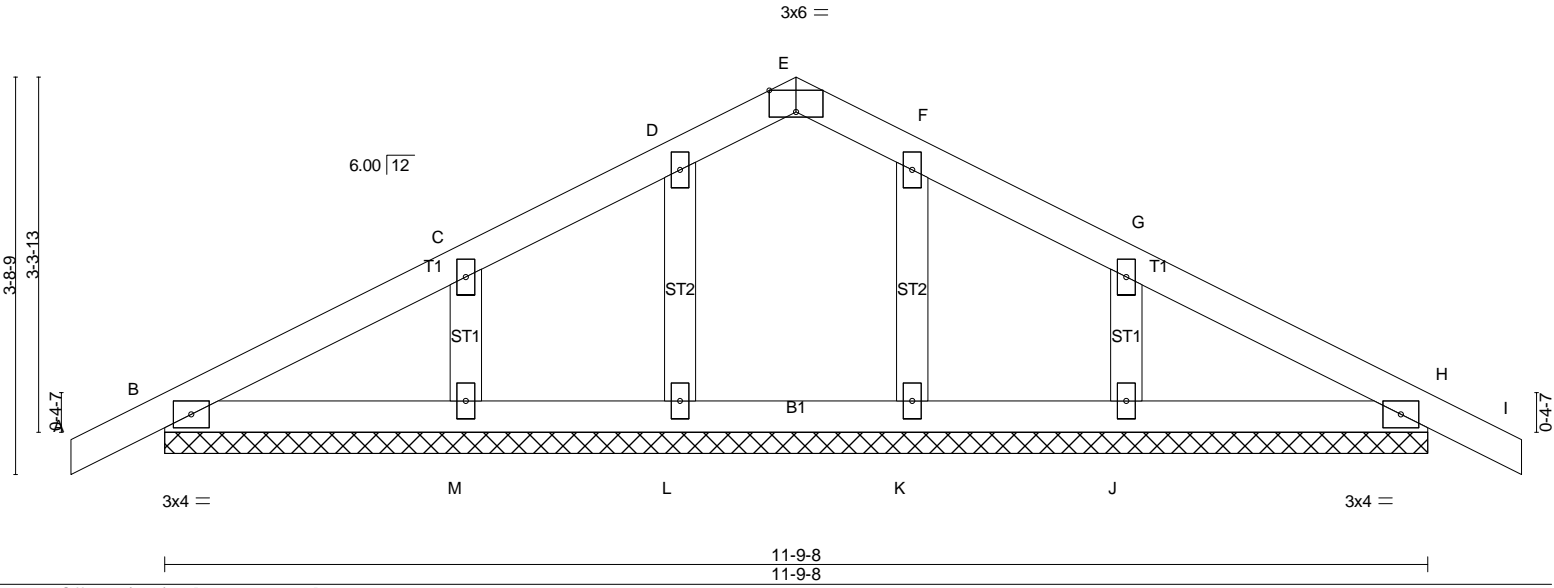


Plate Offsets (X,Y)-- [E:0-3-0,Edge]

LOADING (psf)	SPACING-	2-0-0	CSI.	DEFL.	in	(loc)	l/defl	L/d	PLATES	GRIP
TCLL 20.0	Plate Grip DOL	1.15	TC 0.13	Vert(LL)	0.00	H	n/r	120	MT20	244/190
TCDL 10.0	Lumber DOL	1.15	BC 0.07	Vert(TL)	0.00	I	n/r	120		
BCLL 0.0 *	Rep Stress Incr	YES	WB 0.10	Horz(TL)	0.00	H	n/a	n/a		
BCDL 10.0	Code IRC2009/TPI2007		(Matrix)						Weight: 51 lb	FT = 20%

LUMBER-
TOP CHORD 2x4 SP No.2
BOT CHORD 2x4 SP No.2
OTHERS 2x4 SP No.3

BRACING-
TOP CHORD Structural wood sheathing directly applied or 6-0-0 oc purlins.
BOT CHORD Rigid ceiling directly applied or 10-0-0 oc bracing.

MiTek recommends that Stabilizers and required cross bracing be installed during truss erection, in accordance with Stabilizer Installation guide.

REACTIONS. All bearings 11-9-8.
(lb) - Max Horz B=-93(LC 9)
Max Uplift All uplift 100 lb or less at joint(s) B, L, K except H=-102(LC 9), M=-137(LC 8), J=-139(LC 9)
Max Grav All reactions 250 lb or less at joint(s) B, H, L, M, K, J

FORCES. (lb) - Max. Comp./Max. Ten. - All forces 250 (lb) or less except when shown.
WEBS C-M=-159/341, G-J=-159/340

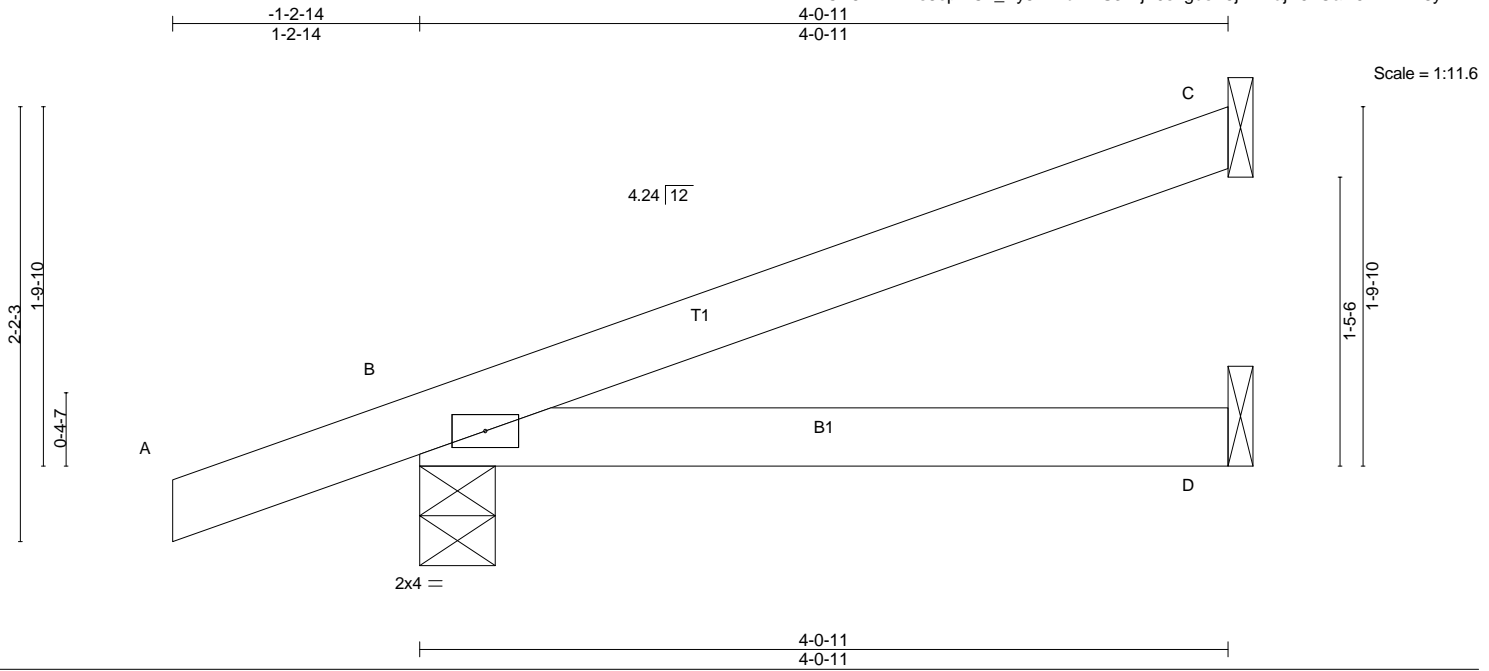
- NOTES-**
- 1) Unbalanced roof live loads have been considered for this design.
 - 2) Wind: ASCE 7-05; 130mph; TCDL=6.0psf; BCDL=6.0psf; h=25ft; Cat. II; Exp C; enclosed; MWFRS (low-rise) and C-C Exterior(2) zone; end vertical left and right exposed; C-C for members and forces & MWFRS for reactions shown; Lumber DOL=1.60 plate grip DOL=1.60
 - 3) Truss designed for wind loads in the plane of the truss only. For studs exposed to wind (normal to the face), see Standard Industry Gable End Details as applicable, or consult qualified building designer as per ANSI/TPI 1.
 - 4) This truss has been designed for basic load combinations, which include cases with reductions for multiple concurrent live loads.
 - 5) All plates are 2x4 MT20 unless otherwise indicated.
 - 6) Gable requires continuous bottom chord bearing.
 - 7) Gable studs spaced at 2-0-0 oc.
 - 8) This truss has been designed for a 10.0 psf bottom chord live load nonconcurrent with any other live loads.
 - 9) * This truss has been designed for a live load of 20.0psf on the bottom chord in all areas where a rectangle 3-6-0 tall by 2-0-0 wide will fit between the bottom chord and any other members.
 - 10) Provide mechanical connection (by others) of truss to bearing plate capable of withstanding 100 lb uplift at joint(s) B, L, K except (jt=lb) H=102, M=137, J=139.
 - 11) This truss is designed in accordance with the 2009 International Residential Code sections R502.11.1 and R802.10.2 and referenced standard ANSI/TPI 1.
 - 12) "Semi-rigid pitchbreaks including heels" Member end fixity model was used in the analysis and design of this truss.

LOAD CASE(S) Standard

Job	Truss	Truss Type	Qty	Ply	H&H-NC/Dogwood/
MASTER	CJ01	DIAGONAL HIP GIRDER	2	1	Job Reference (optional)

Builders FirstSource, N. Charleston, SC

Run: 7.640 s Apr 22 2016 Print: 7.640 s Apr 22 2016 MiTek Industries, Inc. Mon Dec 18 14:53:11 2017 Page 1
 ID: ?hrBCA8NTN1Es8op2lCn_Py8kIV-bLIES3VrjT0s7gusE5jXHFajX6nOaw6AYFKIE8y7ixM



LOADING (psf)	SPACING-	CSI.	DEFL.	PLATES	GRIP
TCLL 20.0	2-0-0	TC 0.28	in (loc) l/defl L/d	MT20	244/190
TCDL 10.0	Plate Grip DOL 1.15	BC 0.20	Vert(LL) -0.01 D-G >999 360		
BCLL 0.0 *	Lumber DOL 1.15	WB 0.00	Vert(TL) -0.02 D-G >999 240		
BCDL 10.0	Rep Stress Incr NO	(Matrix-S)	Horz(TL) -0.00 B n/a n/a		
	Code IRC2009/TPI2007		Wind(LL) 0.02 D-G >999 240	Weight: 15 lb	FT = 20%

LUMBER-
 TOP CHORD 2x4 SP No.2
 BOT CHORD 2x4 SP No.2

BRACING-
 TOP CHORD Structural wood sheathing directly applied.
 BOT CHORD Rigid ceiling directly applied.

MiTek recommends that Stabilizers and required cross bracing be installed during truss erection, in accordance with Stabilizer Installation guide.

REACTIONS. (lb/size) C=93/Mechanical, B=260/0-4-9 (min. 0-1-8), D=41/Mechanical
 Max Horz B=127(LC 6)
 Max Uplift C=-78(LC 6), B=-179(LC 6)
 Max Grav C=93(LC 1), B=260(LC 1), D=64(LC 3)

FORCES. (lb) - Max. Comp./Max. Ten. - All forces 250 (lb) or less except when shown.

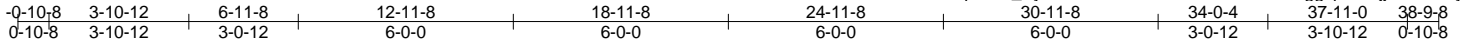
- NOTES-**
- 1) Wind: ASCE 7-05; 130mph; TCDL=6.0psf; BCDL=6.0psf; h=25ft; Cat. II; Exp C; enclosed; MWFRS (low-rise) and C-C Exterior(2) zone; end vertical left exposed; C-C for members and forces & MWFRS for reactions shown; Lumber DOL=1.60 plate grip DOL=1.60
 - 2) This truss has been designed for basic load combinations, which include cases with reductions for multiple concurrent live loads.
 - 3) This truss has been designed for a 10.0 psf bottom chord live load nonconcurrent with any other live loads.
 - 4) * This truss has been designed for a live load of 20.0psf on the bottom chord in all areas where a rectangle 3-6-0 tall by 2-0-0 wide will fit between the bottom chord and any other members.
 - 5) Refer to girder(s) for truss to truss connections.
 - 6) Provide mechanical connection (by others) of truss to bearing plate capable of withstanding 100 lb uplift at joint(s) C except (jt=lb) B=179.
 - 7) This truss is designed in accordance with the 2009 International Residential Code sections R502.11.1 and R802.10.2 and referenced standard ANSI/TPI 1.
 - 8) This truss design requires that a minimum of 7/16" structural wood sheathing be applied directly to the top chord and 1/2" gypsum sheetrock be applied directly to the bottom chord.

LOAD CASE(S) Standard

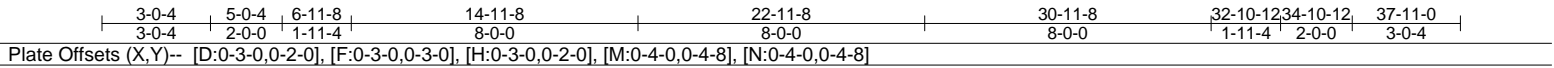
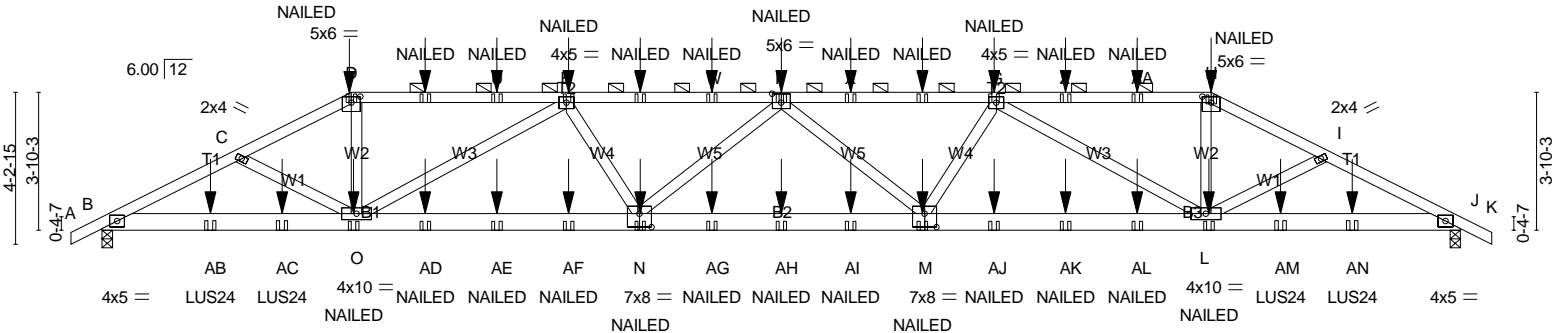
Job	Truss	Truss Type	Qty	Ply	H&H-NC/Dogwood/
MASTER	D01	Hip Girder	1	2	Job Reference (optional)

Builders FirstSource, N. Charleston, SC

Run: 7.640 s Apr 22 2016 Print: 7.640 s Apr 22 2016 MITek Industries, Inc. Mon Dec 18 14:53:13 2017 Page 1
 ID: ?hrBCA8NTN1Es8op2lCn_Py8klV-XkQ?tlW6F5HaMz2ELWI?Mggzpvlw2jT?ZDsI0y7ixK



Scale: 3/16"=1'



LOADING (psf)	SPACING-	CSI.	DEFL.	in (loc)	l/defl	L/d	PLATES	GRIP
TCLL 20.0	Plate Grip DOL 1.15	TC 0.68	Vert(LL) -0.34	M-N	>999	360	MT20	244/190
TCDL 10.0	Lumber DOL 1.15	BC 0.96	Vert(TL) -0.83	M-N	>551	240		
BCLL 0.0 *	Rep Stress Incr NO	WB 0.51	Horz(TL) 0.18	J	n/a	n/a		
BCDL 10.0	Code IRC2009/TPI2007	(Matrix-M)	Wind(LL) 0.58	M-N	>783	240		
							Weight: 432 lb	FT = 20%

LUMBER-	BRACING-
TOP CHORD 2x4 SP No.2	TOP CHORD Structural wood sheathing directly applied or 4-7-12 oc purlins, except
BOT CHORD 2x6 SP No.2 *Except*	2-0-0 oc purlins (3-9-10 max.): D-H.
B2: 2x6 SP No.1	BOT CHORD Rigid ceiling directly applied or 7-3-4 oc bracing.
WEBS 2x4 SP No.2	

REACTIONS. (lb/size) B=3225/0-3-8 (min. 0-1-14), J=3225/0-3-8 (min. 0-1-14)
 Max Horz B=-108(LC 18)
 Max Uplift B=-1807(LC 6), J=-1808(LC 7)

FORCES. (lb) - Max. Comp./Max. Ten. - All forces 250 (lb) or less except when shown.
 TOP CHORD B-C=-6400/3681, C-D=-6179/3620, D-T=-5597/3326, T-U=-5597/3326, E-U=-5597/3326,
 E-V=-8551/5151, V-W=-8551/5151, F-W=-8551/5151, F-X=-8544/5147, X-Y=-8544/5147,
 G-Y=-8544/5147, G-Z=-5597/3326, Z-AA=-5597/3326, H-AA=-5597/3326, H-I=-6179/3620,
 I-J=-6401/3681
 BOT CHORD B-AB=-3301/5715, AB-AC=-3301/5715, O-AC=-3301/5715, O-AD=-4781/7984, AD-AE=-4781/7984,
 AE-AF=-4781/7984, N-AF=-4781/7984, N-AG=-5270/8788, AG-AH=-5270/8788,
 AH-AI=-5270/8788, M-AI=-5270/8788, M-AJ=-4722/7987, AJ-AK=-4722/7987,
 AK-AL=-4722/7987, L-AL=-4722/7987, L-AM=-3227/5715, AM-AN=-3227/5715, J-AN=-3227/5715
 WEBS C-O=-252/230, D-O=-1342/2449, E-O=-2822/1871, E-N=-591/1145, F-N=-346/332,
 F-M=-355/336, G-M=-589/1141, G-L=-2826/1872, H-L=-1342/2449, I-L=-252/230

- NOTES-**
- 2-ply truss to be connected together with 10d (0.131"x3") nails as follows:
 Top chords connected as follows: 2x4 - 1 row at 0-9-0 oc.
 Bottom chords connected as follows: 2x6 - 2 rows staggered at 0-9-0 oc.
 Webs connected as follows: 2x4 - 1 row at 0-9-0 oc.
 - All loads are considered equally applied to all plies, except if noted as front (F) or back (B) face in the LOAD CASE(S) section. Ply to ply connections have been provided to distribute only loads noted as (F) or (B), unless otherwise indicated.
 - Unbalanced roof live loads have been considered for this design.
 - Wind: ASCE 7-05; 130mph; TCDL=6.0psf; BCDL=6.0psf; h=25ft; Cat. II; Exp C; enclosed; MWFRS (low-rise); end vertical left and right exposed; Lumber DOL=1.60 plate grip DOL=1.60
 - This truss has been designed for basic load combinations, which include cases with reductions for multiple concurrent live loads.
 - Provide adequate drainage to prevent water ponding.
 - This truss has been designed for a 10.0 psf bottom chord live load nonconcurrent with any other live loads.
 - * This truss has been designed for a live load of 20.0psf on the bottom chord in all areas where a rectangle 3-6-0 tall by 2-0-0 wide will fit between the bottom chord and any other members.
 - Provide mechanical connection (by others) of truss to bearing plate capable of withstanding 100 lb uplift at joint(s) except (jt=lb) B=1807, J=1808.
 - This truss is designed in accordance with the 2009 International Residential Code sections R502.11.1 and R802.10.2 and referenced standard ANSI/TPI 1.
 - "Semi-rigid pitchbreaks including heels" Member end fixity model was used in the analysis and design of this truss.
 - Graphical purlin representation does not depict the size or the orientation of the purlin along the top and/or bottom chord.

Continued on page 2

Job	Truss	Truss Type	Qty	Ply	H&H-NC/Dogwood/
MASTER	D01	Hip Girder	1	2	Job Reference (optional)

Builders FirstSource, N. Charleston, SC

Run: 7.640 s Apr 22 2016 Print: 7.640 s Apr 22 2016 MiTek Industries, Inc. Mon Dec 18 14:53:13 2017 Page 2
 ID: ?hrBCA8NTN1Es8op2lCn_Py8kIV-XkQ?tlW6F5HaMz2ELWI?MggzpvIw2jT?ZDsI0y7ixK

NOTES-

- 13) Use Simpson Strong-Tie LUS24 (4-10d Girder, 2-10d Truss, Single Ply Girder) or equivalent spaced at 27-10-8 oc max. starting at 3-0-4 from the left end to 34-10-12 to connect truss(es) J02 (1 ply 2x6 SP), J03 (1 ply 2x4 SP), J02 (1 ply 2x6 SP) to back face of bottom chord.
- 14) Fill all nail holes where hanger is in contact with lumber.
- 15) "NAILED" indicates 3-10d (0.148"x3") or 3-12d (0.148"x3.25") toe-nails. For more details refer to MiTek's ST-TOENAIL Detail.

LOAD CASE(S) Standard

1) Dead + Roof Live (balanced): Lumber Increase=1.15, Plate Increase=1.15

Uniform Loads (plf)

Vert: A-D=-60, D-H=-60, H-K=-60, B-J=-20

Concentrated Loads (lb)

Vert: D=-22(B) F=-22(B) H=-22(B) O=-155(B) E=-22(B) N=-155(B) M=-155(B) G=-22(B) L=-155(B) T=-22(B) U=-22(B) V=-22(B) W=-22(B) X=-22(B) Y=-22(B) Z=-22(B)
 AA=-22(B) AB=-278(B) AC=-227(B) AD=-155(B) AE=-155(B) AF=-155(B) AG=-155(B) AH=-155(B) AI=-155(B) AJ=-155(B) AK=-155(B) AL=-155(B) AM=-227(B)
 AN=-278(B)

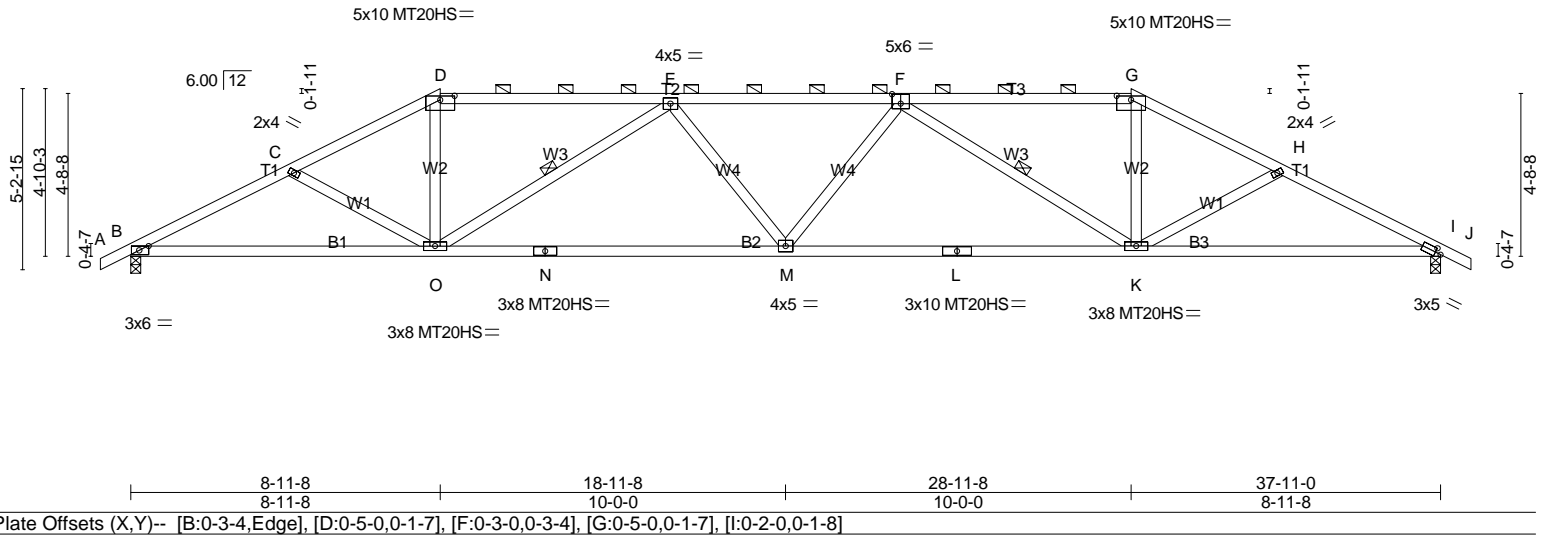
Job	Truss	Truss Type	Qty	Ply	H&H-NC/Dogwood/
MASTER	D02	Hip	1	1	Job Reference (optional)

Builders FirstSource, N. Charleston, SC

Run: 7.640 s Apr 22 2016 Print: 7.640 s Apr 22 2016 MiTek Industries, Inc. Mon Dec 18 14:53:14 2017 Page 1
 ID:?hrBCA8NTN1Es8op2lCn_Py8kIV-?w_N55Xk0OPR_7dRvDGEvtC4gJcTnBbdEDzPrTy7ixJ

-0-10-8	4-8-12	8-11-8	15-7-8	22-3-8	28-11-8	33-2-4	37-11-0	38-9-8
0-10-8	4-8-12	4-2-12	6-8-0	6-8-0	6-8-0	4-2-12	4-8-12	0-10-8

Scale = 1:66.7



LOADING (psf)	SPACING-	CSI.	DEFL.	PLATES	GRIP
TCLL 20.0	2-0-0	TC 0.86	in (loc) l/defl L/d	MT20	244/190
TCDL 10.0	Plate Grip DOL 1.15	BC 1.00	Vert(LL) -0.25 K-M >999 360	MT20HS	187/143
BCLL 0.0 *	Lumber DOL 1.15	WB 0.40	Vert(TL) -0.79 K-M >574 240		
BCDL 10.0	Rep Stress Incr YES	(Matrix-S)	Horz(TL) 0.20 I n/a n/a		
	Code IRC2009/TPI2007		Wind(LL) 0.39 M >999 240		
				Weight: 184 lb	FT = 20%

LUMBER-
 TOP CHORD 2x4 SP No.2
 BOT CHORD 2x4 SP No.2 *Except*
 B2: 2x4 SP No.1
 WEBS 2x4 SP No.3

BRACING-
 TOP CHORD Structural wood sheathing directly applied, except
 2-0-0 oc purlins (2-9-8 max.): D-G.
 BOT CHORD Rigid ceiling directly applied.
 WEBS 1 Row at midpt E-O, F-K

MiTek recommends that Stabilizers and required cross bracing be installed during truss erection, in accordance with Stabilizer Installation guide.

REACTIONS. (lb/size) B=1569/0-3-8 (min. 0-1-14), I=1569/0-3-8 (min. 0-1-14)
 Max Horz B=-129(LC 9)
 Max UpliftB=-526(LC 7), I=-526(LC 6)

FORCES. (lb) - Max. Comp./Max. Ten. - All forces 250 (lb) or less except when shown.
 TOP CHORD B-C=-2821/2464, C-D=-2610/2263, D-E=-2296/2117, E-F=-3205/2813, F-G=-2297/2117,
 G-H=-2611/2262, H-I=-2821/2463
 BOT CHORD B-O=-2017/2457, N-O=-2404/3124, M-N=-2404/3124, L-M=-2405/3124, K-L=-2405/3124,
 I-K=-2020/2457
 WEBS C-O=-162/392, D-O=-554/792, E-O=-1067/890, E-M=0/266, F-M=0/265, F-K=-1066/890,
 G-K=-554/792, H-K=-161/392

- NOTES-**
- 1) Unbalanced roof live loads have been considered for this design.
 - 2) Wind: ASCE 7-05; 130mph; TCDL=6.0psf; BCDL=6.0psf; h=25ft; Cat. II; Exp C; enclosed; MWFRS (low-rise) and C-C Exterior(2) zone; end vertical left and right exposed; C-C for members and forces & MWFRS for reactions shown; Lumber DOL=1.60 plate grip DOL=1.60
 - 3) This truss has been designed for basic load combinations, which include cases with reductions for multiple concurrent live loads.
 - 4) Provide adequate drainage to prevent water ponding.
 - 5) All plates are MT20 plates unless otherwise indicated.
 - 6) This truss has been designed for a 10.0 psf bottom chord live load nonconcurrent with any other live loads.
 - 7) * This truss has been designed for a live load of 20.0psf on the bottom chord in all areas where a rectangle 3-6-0 tall by 2-0-0 wide will fit between the bottom chord and any other members.
 - 8) Provide mechanical connection (by others) of truss to bearing plate capable of withstanding 100 lb uplift at joint(s) except (jt=lb) B=526, I=526.
 - 9) This truss is designed in accordance with the 2009 International Residential Code sections R502.11.1 and R802.10.2 and referenced standard ANSI/TPI 1.
 - 10) This truss design requires that a minimum of 7/16" structural wood sheathing be applied directly to the top chord and 1/2" gypsum sheetrock be applied directly to the bottom chord.
 - 11) Graphical purlin representation does not depict the size or the orientation of the purlin along the top and/or bottom chord.

LOAD CASE(S) Standard

Job	Truss	Truss Type	Qty	Ply	H&H-NC/Dogwood/
MASTER	D03	Hip	1	1	
					Job Reference (optional)

Builders FirstSource, N. Charleston, SC

Run: 7.640 s Apr 22 2016 Print: 7.640 s Apr 22 2016 MiTek Industries, Inc. Mon Dec 18 14:53:14 2017 Page 1
 ID: ?hrBCA8NTN1Es8op2lCn_Py8kIV-?w_N55xk0OPR_7dRvDGEvtC6KJeVnBndEDzPrTy7ixJ

-0-10-8	5-8-12	10-11-8	18-11-8	26-11-8	32-2-4	37-11-0	38-9-8
0-10-8	5-8-12	5-2-12	8-0-0	8-0-0	5-2-12	5-8-12	0-10-8

Scale = 1:65.7

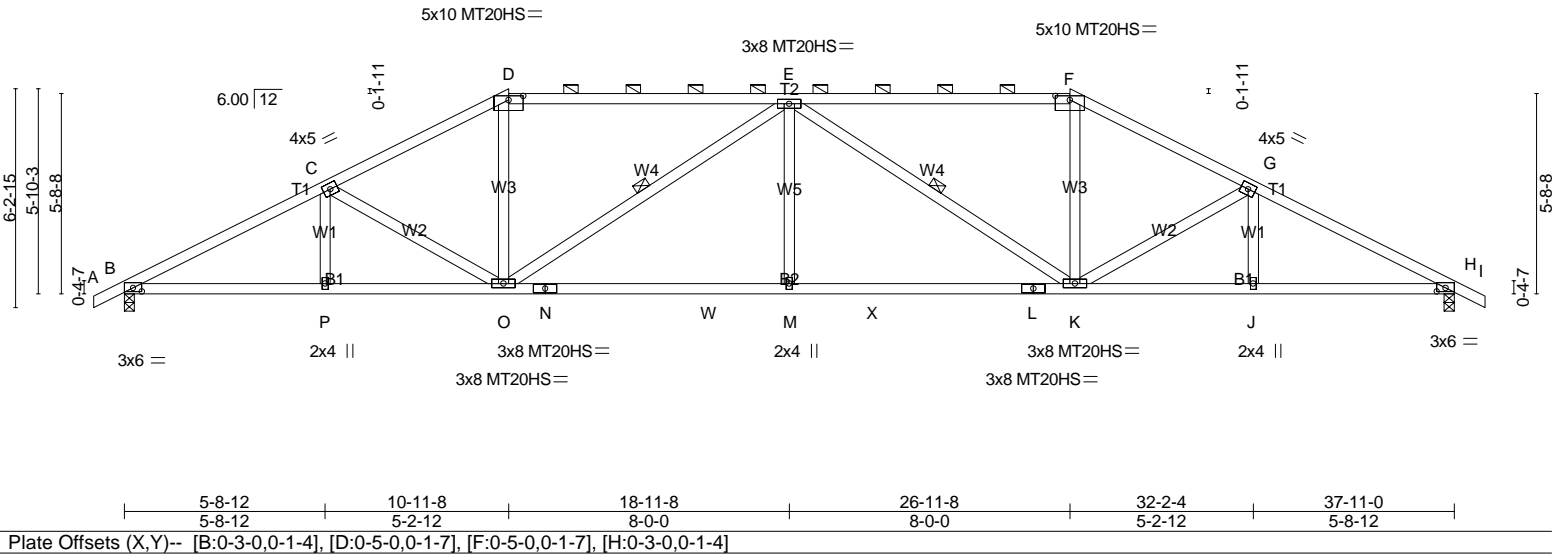


Plate Offsets (X,Y)--	[B:0-3-0,0-1-4], [D:0-5-0,0-1-7], [F:0-5-0,0-1-7], [H:0-3-0,0-1-4]				
LOADING (psf)	SPACING- 2-0-0	CSI.	DEFL. in (loc) l/defl L/d	PLATES	GRIP
TCLL 20.0	Plate Grip DOL 1.15	TC 0.75	Vert(LL) -0.20 M >999 360	MT20	244/190
TCDL 10.0	Lumber DOL 1.15	BC 0.87	Vert(TL) -0.56 K-M >813 240	MT20HS	187/143
BCLL 0.0 *	Rep Stress Incr YES	WB 0.39	Horz(TL) 0.19 H n/a n/a	Weight: 195 lb FT = 20%	
BCDL 10.0	Code IRC2009/TPI2007	(Matrix-S)	Wind(LL) 0.31 M >999 240		

LUMBER-
 TOP CHORD 2x4 SP No.2 *Except*
 T2: 2x4 SP No.1
 BOT CHORD 2x4 SP No.2
 WEBS 2x4 SP No.3

BRACING-
 TOP CHORD Structural wood sheathing directly applied, except
 2-0-0 oc purlins (3-3-14 max.): D-F.
 BOT CHORD Rigid ceiling directly applied.
 WEBS 1 Row at midpt E-O, E-K

MiTek recommends that Stabilizers and required cross bracing be installed during truss erection, in accordance with Stabilizer Installation guide.

REACTIONS. (lb/size) B=1569/0-3-8 (min. 0-1-14), H=1569/0-3-8 (min. 0-1-14)
 Max Horz B=-151(LC 9)
 Max UpliftB=-544(LC 8), H=-544(LC 9)

FORCES. (lb) - Max. Comp./Max. Ten. - All forces 250 (lb) or less except when shown.
 TOP CHORD B-C=-2813/2396, C-D=-2467/2191, D-E=-2148/2069, E-F=-2148/2068, F-G=-2467/2191,
 G-H=-2813/2396
 BOT CHORD B-P=-1937/2444, O-P=-1937/2444, N-O=-1960/2690, N-W=-1960/2690, M-W=-1960/2690,
 M-X=-1960/2690, L-X=-1960/2690, K-L=-1960/2690, J-K=-1940/2444, H-J=-1940/2444
 WEBS C-O=-332/477, D-O=-463/675, E-O=-777/536, E-M=0/347, E-K=-777/536, F-K=-463/675,
 G-K=-332/477

- NOTES-**
- 1) Unbalanced roof live loads have been considered for this design.
 - 2) Wind: ASCE 7-05; 130mph; TCCL=6.0psf; BCDL=6.0psf; h=25ft; Cat. II; Exp C; enclosed; MWFRS (low-rise) and C-C Exterior(2) zone; end vertical left and right exposed; C-C for members and forces & MWFRS for reactions shown; Lumber DOL=1.60 plate grip DOL=1.60
 - 3) This truss has been designed for basic load combinations, which include cases with reductions for multiple concurrent live loads.
 - 4) Provide adequate drainage to prevent water ponding.
 - 5) All plates are MT20 plates unless otherwise indicated.
 - 6) This truss has been designed for a 10.0 psf bottom chord live load nonconcurrent with any other live loads.
 - 7) * This truss has been designed for a live load of 20.0psf on the bottom chord in all areas where a rectangle 3-6-0 tall by 2-0-0 wide will fit between the bottom chord and any other members, with BCDL = 10.0psf.
 - 8) Provide mechanical connection (by others) of truss to bearing plate capable of withstanding 100 lb uplift at joint(s) except (jt=lb) B=544, H=544.
 - 9) This truss is designed in accordance with the 2009 International Residential Code sections R502.11.1 and R802.10.2 and referenced standard ANSI/TPI 1.
 - 10) This truss design requires that a minimum of 7/16" structural wood sheathing be applied directly to the top chord and 1/2" gypsum sheetrock be applied directly to the bottom chord.
 - 11) Graphical purlin representation does not depict the size or the orientation of the purlin along the top and/or bottom chord.

LOAD CASE(S) Standard

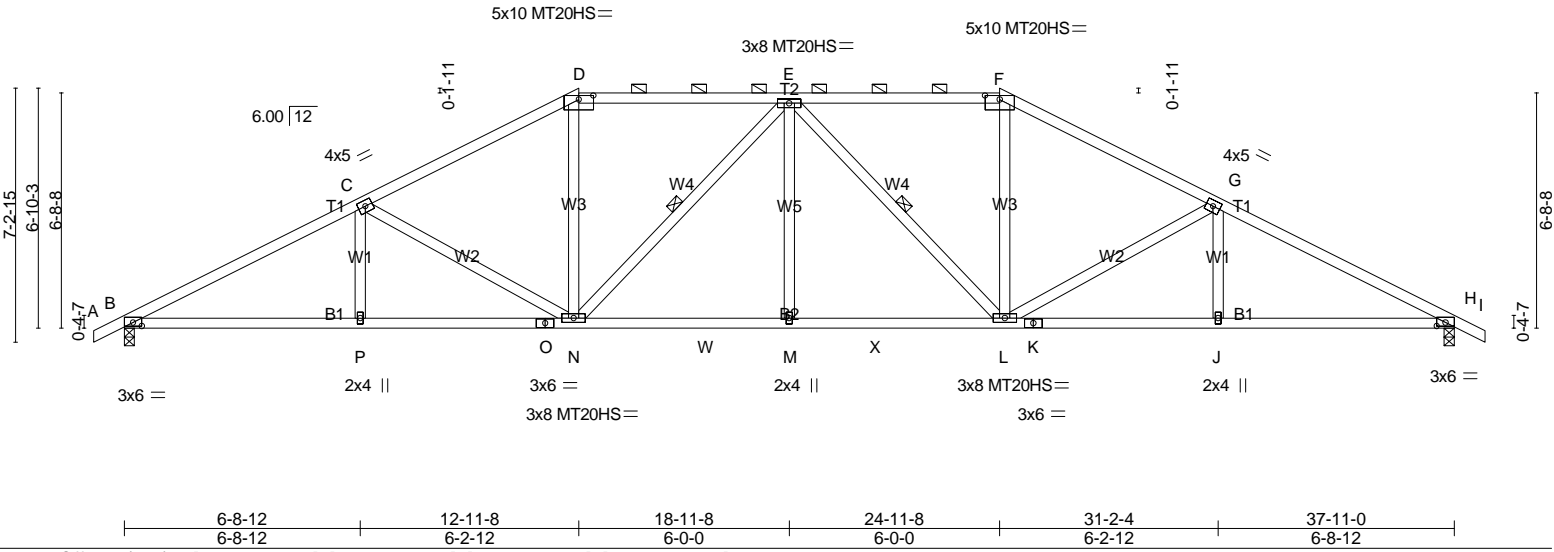
Job	Truss	Truss Type	Qty	Ply	H&H-NC/Dogwood/
MASTER	D04	Hip	1	1	
					Job Reference (optional)

Builders FirstSource, N. Charleston, SC

Run: 7.640 s Apr 22 2016 Print: 7.640 s Apr 22 2016 MiTek Industries, Inc. Mon Dec 18 14:53:15 2017 Page 1
 ID:?hrBCA8NTN1Es8op2lCn_Py8kIV-T7YlIRYMniXlCtCdTxnTR4IGXj1bWdsmStiyNvy7ixl

-0-10-8	6-8-12	12-11-8	18-11-8	24-11-8	31-2-4	37-11-0	38-9-8
0-10-8	6-8-12	6-2-12	6-0-0	6-0-0	6-2-12	6-8-12	0-10-8

Scale = 1:65.7



LOADING (psf)	SPACING-	CSI.	DEFL.	PLATES	GRIP
TCLL 20.0	2-0-0	TC 0.79	in (loc) l/defl L/d	MT20	244/190
TCDL 10.0	Plate Grip DOL 1.15	BC 0.69	Vert(LL) -0.17 M >999 360	MT20HS	187/143
BCLL 0.0 *	Lumber DOL 1.15	WB 0.46	Vert(TL) -0.44 L-M >999 240		
BCDL 10.0	Rep Stress Incr YES	(Matrix-S)	Horz(TL) 0.18 H n/a n/a		
	Code IRC2009/TPI2007		Wind(LL) 0.27 M >999 240		Weight: 203 lb FT = 20%

LUMBER-
 TOP CHORD 2x4 SP No.2
 BOT CHORD 2x4 SP No.2
 WEBS 2x4 SP No.3

BRACING-
 TOP CHORD Structural wood sheathing directly applied, except 2-0-0 oc purlins (3-9-7 max.): D-F.
 BOT CHORD Rigid ceiling directly applied.
 WEBS 1 Row at midpt E-N, E-L

MiTek recommends that Stabilizers and required cross bracing be installed during truss erection, in accordance with Stabilizer Installation guide.

REACTIONS. (lb/size) B=1569/0-3-8 (min. 0-1-14), H=1569/0-3-8 (min. 0-1-14)
 Max Horz B=-173(LC 9)
 Max Uplift B=-572(LC 8), H=-572(LC 9)

FORCES. (lb) - Max. Comp./Max. Ten. - All forces 250 (lb) or less except when shown.
 TOP CHORD B-C=-2793/2394, C-D=-2302/2100, D-E=-1981/1996, E-F=-1981/1996, F-G=-2302/2099, G-H=-2793/2393
 BOT CHORD B-P=-1916/2421, O-P=-1916/2421, N-O=-1916/2421, N-W=-1550/2230, M-W=-1550/2230, M-X=-1550/2230, L-X=-1550/2230, K-L=-1919/2421, J-K=-1919/2421, H-J=-1919/2421
 WEBS C-N=-500/645, D-N=-462/643, E-N=-506/295, E-M=0/295, E-L=-506/295, F-L=-462/643, G-L=-500/645

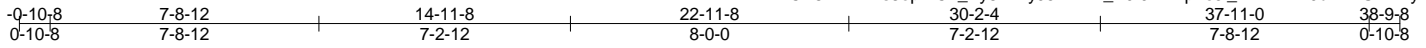
- NOTES-**
- 1) Unbalanced roof live loads have been considered for this design.
 - 2) Wind: ASCE 7-05; 130mph; TCDL=6.0psf; BCDL=6.0psf; h=25ft; Cat. II; Exp C; enclosed; MWFRS (low-rise) and C-C Exterior(2) zone; end vertical left and right exposed; C-C for members and forces & MWFRS for reactions shown; Lumber DOL=1.60 plate grip DOL=1.60
 - 3) This truss has been designed for basic load combinations, which include cases with reductions for multiple concurrent live loads.
 - 4) Provide adequate drainage to prevent water ponding.
 - 5) All plates are MT20 plates unless otherwise indicated.
 - 6) This truss has been designed for a 10.0 psf bottom chord live load nonconcurrent with any other live loads.
 - 7) * This truss has been designed for a live load of 20.0psf on the bottom chord in all areas where a rectangle 3-6-0 tall by 2-0-0 wide will fit between the bottom chord and any other members, with BCDL = 10.0psf.
 - 8) Provide mechanical connection (by others) of truss to bearing plate capable of withstanding 100 lb uplift at joint(s) except (jt=lb) B=572, H=572.
 - 9) This truss is designed in accordance with the 2009 International Residential Code sections R502.11.1 and R802.10.2 and referenced standard ANSI/TPI 1.
 - 10) This truss design requires that a minimum of 7/16" structural wood sheathing be applied directly to the top chord and 1/2" gypsum sheetrock be applied directly to the bottom chord.
 - 11) Graphical purlin representation does not depict the size or the orientation of the purlin along the top and/or bottom chord.

LOAD CASE(S) Standard

Job	Truss	Truss Type	Qty	Ply	H&H-NC/Dogwood/
MASTER	D05	Hip	1	1	

Builders FirstSource, N. Charleston, SC

Run: 7.640 s Apr 22 2016 Print: 7.640 s Apr 22 2016 MiTek Industries, Inc. Mon Dec 18 14:53:16 2017 Page 1
 ID:?hrBCA8NTN1Es8op2lCn_Py8kIV-yJ57WnZ_Y0f9DRnp1eJi_IIP47L4F0dwhXSvWvLy7ixH



Scale = 1:66.2

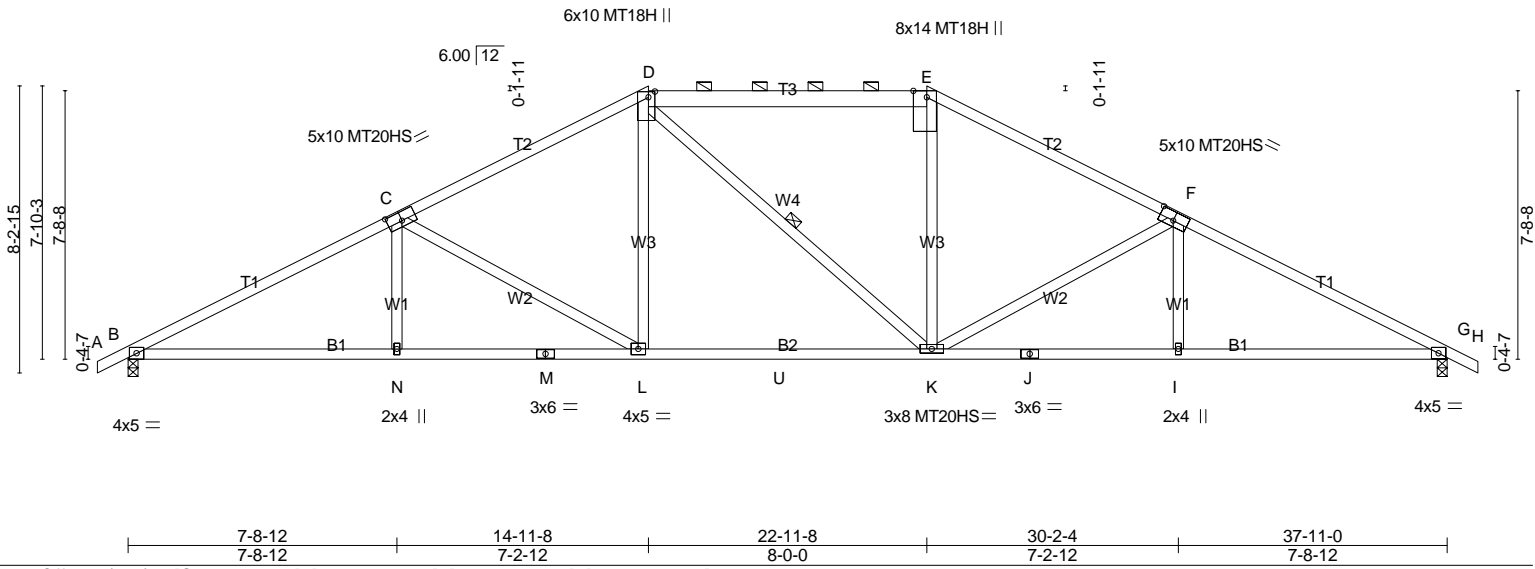


Plate Offsets (X,Y)-- [C:0-5-0,0-3-0], [D:0-2-0,0-2-4], [E:0-2-4,Edge], [F:0-5-0,0-3-0]					
LOADING (psf)	SPACING- 2-0-0	CSI.	DEFL. in (loc) l/defl L/d	PLATES	GRIP
TCLL 20.0	Plate Grip DOL 1.15	TC 0.93	Vert(LL) -0.22 K-L >999 360	MT20	244/190
TCDL 10.0	Lumber DOL 1.15	BC 0.80	Vert(TL) -0.55 K-L >826 240	MT20HS	187/143
BCLL 0.0 *	Rep Stress Incr YES	WB 0.75	Horz(TL) 0.17 G n/a n/a	MT18H	244/190
BCDL 10.0	Code IRC2009/TPI2007	(Matrix-S)	Wind(LL) 0.24 L >999 240		Weight: 199 lb FT = 20%

LUMBER-
 TOP CHORD 2x4 SP No.2 *Except*
 T3: 2x6 SP No.2
 BOT CHORD 2x4 SP No.2
 WEBS 2x4 SP No.3

BRACING-
 TOP CHORD Structural wood sheathing directly applied, except
 2-0-0 oc purlins (4-9-2 max.): D-E.
 BOT CHORD Rigid ceiling directly applied.
 WEBS 1 Row at midpt D-K

MiTek recommends that Stabilizers and required cross bracing be installed during truss erection, in accordance with Stabilizer Installation guide.

REACTIONS. (lb/size) B=1569/0-3-8 (min. 0-1-14), G=1569/0-3-8 (min. 0-1-14)
 Max Horz B=-195(LC 9)
 Max Uplift B=-596(LC 8), G=-596(LC 9)

FORCES. (lb) - Max. Comp./Max. Ten. - All forces 250 (lb) or less except when shown.
 TOP CHORD B-C=-2738/2363, C-D=-2147/2007, D-E=-1833/1939, E-F=-2148/2007, F-G=-2738/2362
 BOT CHORD B-N=-1862/2361, M-N=-1863/2358, L-M=-1863/2358, L-U=-1191/1832, K-U=-1191/1832,
 J-K=-1865/2358, I-J=-1865/2358, G-I=-1864/2361
 WEBS C-N=0/272, C-L=-601/768, D-L=-286/529, E-K=-285/528, F-K=-600/768, F-I=0/272

- NOTES-**
- 1) Unbalanced roof live loads have been considered for this design.
 - 2) Wind: ASCE 7-05; 130mph; TCDL=6.0psf; BCDL=6.0psf; h=25ft; Cat. II; Exp C; enclosed; MWFRS (low-rise) and C-C Exterior(2) zone; end vertical left and right exposed; C-C for members and forces & MWFRS for reactions shown; Lumber DOL=1.60 plate grip DOL=1.60
 - 3) This truss has been designed for basic load combinations, which include cases with reductions for multiple concurrent live loads.
 - 4) Provide adequate drainage to prevent water ponding.
 - 5) All plates are MT20 plates unless otherwise indicated.
 - 6) This truss has been designed for a 10.0 psf bottom chord live load nonconcurrent with any other live loads.
 - 7) * This truss has been designed for a live load of 20.0psf on the bottom chord in all areas where a rectangle 3-6-0 tall by 2-0-0 wide will fit between the bottom chord and any other members, with BCDL = 10.0psf.
 - 8) Provide mechanical connection (by others) of truss to bearing plate capable of withstanding 100 lb uplift at joint(s) except (jt=lb) B=596, G=596.
 - 9) This truss is designed in accordance with the 2009 International Residential Code sections R502.11.1 and R802.10.2 and referenced standard ANSI/TPI 1.
 - 10) This truss design requires that a minimum of 7/16" structural wood sheathing be applied directly to the top chord and 1/2" gypsum sheetrock be applied directly to the bottom chord.
 - 11) Graphical purlin representation does not depict the size or the orientation of the purlin along the top and/or bottom chord.

LOAD CASE(S) Standard

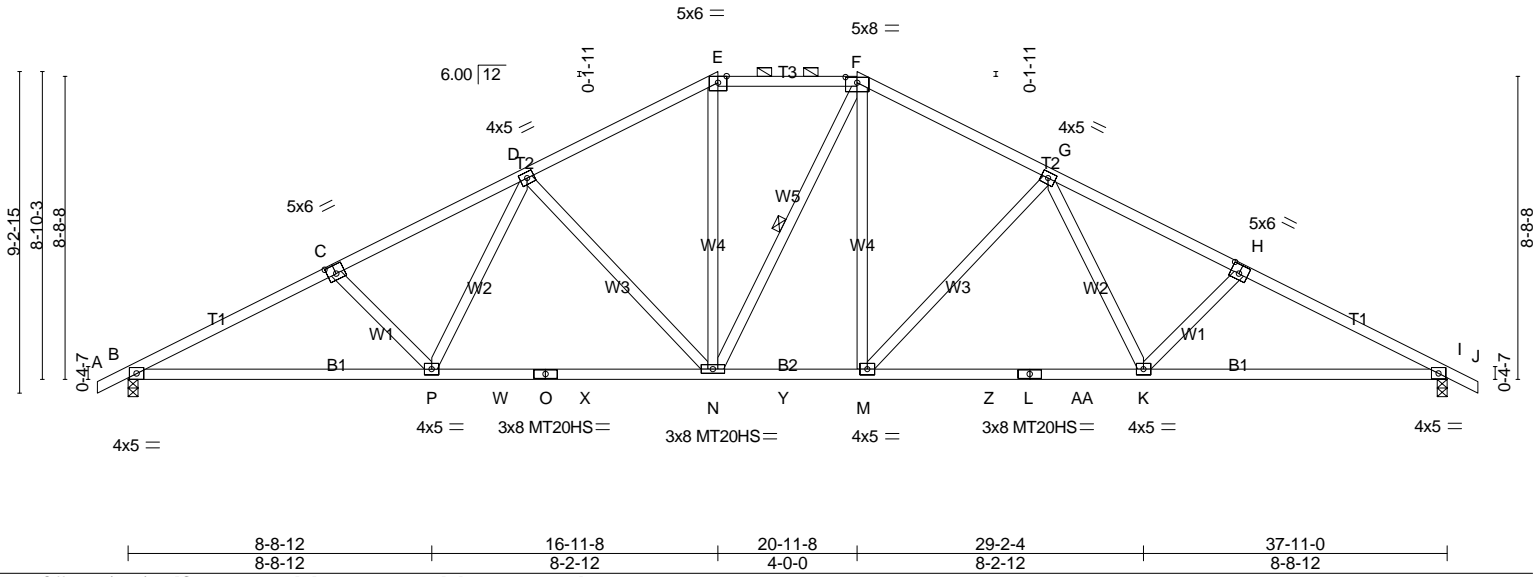
Job	Truss	Truss Type	Qty	Ply	H&H-NC/Dogwood/
MASTER	D06	Hip	1	1	

Builders FirstSource, N. Charleston, SC

Run: 7.640 s Apr 22 2016 Print: 7.640 s Apr 22 2016 MiTek Industries, Inc. Mon Dec 18 14:53:16 2017 Page 1
 ID:?hrBCA8NTN1Es8op2lCn_Py8kIV-yJ57WnZ_Y0f9DRnp1eJi_IIS77KWF1TwhXSWvLy7ixH

-0-10-8	5-11-13	11-5-11	16-11-8	20-11-8	26-5-5	31-11-3	37-11-0	38-9-8
0-10-8	5-11-13	5-5-13	5-5-13	4-0-0	5-5-13	5-5-13	5-11-13	0-10-8

Scale = 1:66.2



LOADING (psf)	SPACING-	CSI.	DEFL.	PLATES	GRIP
TCLL 20.0	2-0-0	TC 0.74	in (loc) l/defl L/d	MT20	244/190
TCDL 10.0	Plate Grip DOL 1.15	BC 0.84	Vert(LL) -0.23 K-M >999 360	MT20HS	187/143
BCLL 0.0 *	Lumber DOL 1.15	WB 0.70	Vert(TL) -0.57 K-M >792 240		
BCDL 10.0	Rep Stress Incr YES	(Matrix-S)	Horz(TL) 0.16 I n/a n/a		
	Code IRC2009/TPI2007		Wind(LL) 0.26 K-M >999 240		Weight: 212 lb FT = 20%

LUMBER-
 TOP CHORD 2x4 SP No.2
 BOT CHORD 2x4 SP No.2
 WEBS 2x4 SP No.3

BRACING-
 TOP CHORD Structural wood sheathing directly applied, except 2-0-0 oc purlins (4-5-9 max.): E-F.
 BOT CHORD Rigid ceiling directly applied.
 WEBS 1 Row at midpt F-N

MiTek recommends that Stabilizers and required cross bracing be installed during truss erection, in accordance with Stabilizer Installation guide.

REACTIONS. (lb/size) B=1569/0-3-8 (min. 0-1-14), I=1569/0-3-8 (min. 0-1-14)
 Max Horz B=-217(LC 9)
 Max Uplift B=-617(LC 8), I=-617(LC 9)

FORCES. (lb) - Max. Comp./Max. Ten. - All forces 250 (lb) or less except when shown.
 TOP CHORD B-C=-2797/2520, C-D=-2572/2401, D-E=-1939/1974, E-F=-1663/1869, F-G=-1938/1973,
 G-H=-2572/2401, H-I=-2797/2520
 BOT CHORD B-P=-2043/2431, P-W=-1555/2062, O-W=-1555/2062, O-X=-1555/2062, N-X=-1555/2062,
 N-Y=-1025/1662, M-Y=-1025/1662, M-Z=-1556/2062, L-Z=-1556/2062, L-AA=-1556/2062,
 K-AA=-1556/2062, I-K=-2045/2431
 WEBS C-P=-290/527, D-P=-305/451, D-N=-581/770, E-N=-498/573, F-M=-499/595, G-M=-583/771,
 G-K=-305/452, H-K=-290/527

- NOTES-**
- 1) Unbalanced roof live loads have been considered for this design.
 - 2) Wind: ASCE 7-05; 130mph; TCDL=6.0psf; BCDL=6.0psf; h=25ft; Cat. II; Exp C; enclosed; MWFRS (low-rise) and C-C Exterior(2) zone; end vertical left and right exposed; C-C for members and forces & MWFRS for reactions shown; Lumber DOL=1.60 plate grip DOL=1.60
 - 3) This truss has been designed for basic load combinations, which include cases with reductions for multiple concurrent live loads.
 - 4) Provide adequate drainage to prevent water ponding.
 - 5) All plates are MT20 plates unless otherwise indicated.
 - 6) This truss has been designed for a 10.0 psf bottom chord live load nonconcurrent with any other live loads.
 - 7) * This truss has been designed for a live load of 20.0psf on the bottom chord in all areas where a rectangle 3-6-0 tall by 2-0-0 wide will fit between the bottom chord and any other members, with BCDL = 10.0psf.
 - 8) Provide mechanical connection (by others) of truss to bearing plate capable of withstanding 100 lb uplift at joint(s) except (jt=lb) B=617, I=617.
 - 9) This truss is designed in accordance with the 2009 International Residential Code sections R502.11.1 and R802.10.2 and referenced standard ANSI/TPI 1.
 - 10) This truss design requires that a minimum of 7/16" structural wood sheathing be applied directly to the top chord and 1/2" gypsum sheetrock be applied directly to the bottom chord.
 - 11) Graphical purlin representation does not depict the size or the orientation of the purlin along the top and/or bottom chord.

LOAD CASE(S) Standard

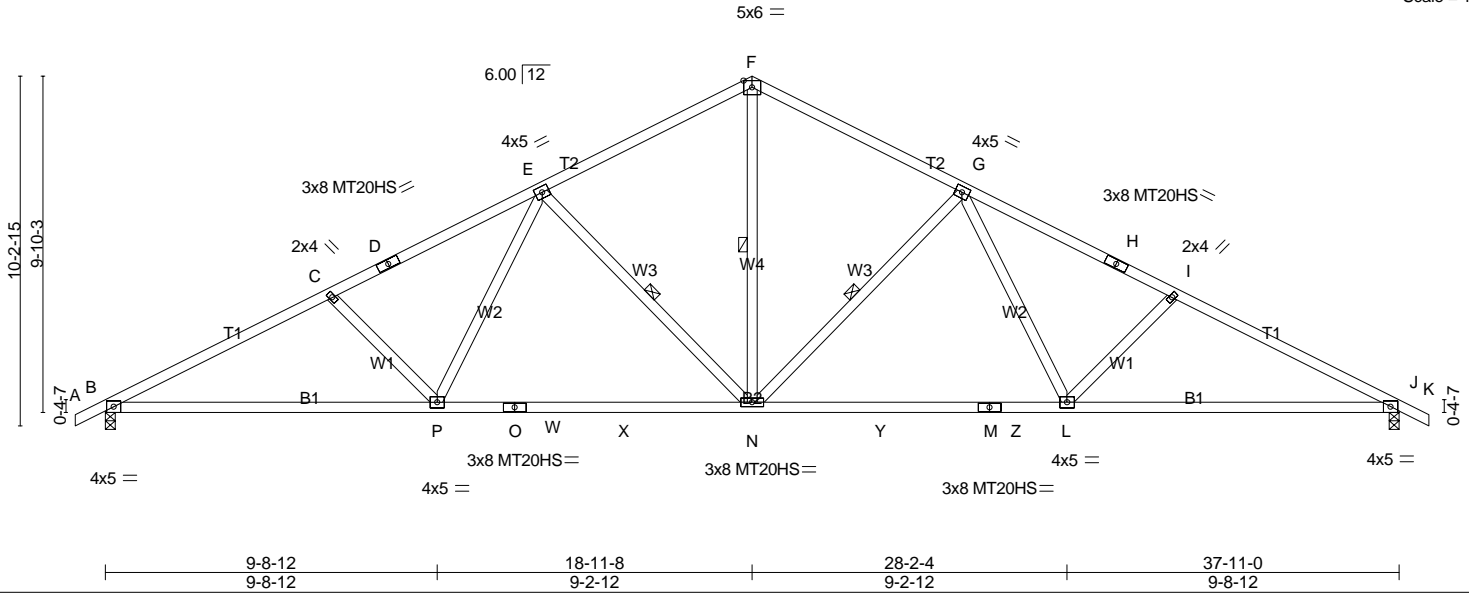
Job	Truss	Truss Type	Qty	Ply	H&H-NC/Dogwood/
MASTER	D07	Common	4	1	

Builders FirstSource, N. Charleston, SC

Run: 7.640 s Apr 22 2016 Print: 7.640 s Apr 22 2016 MiTek Industries, Inc. Mon Dec 18 14:53:17 2017 Page 1
 ID: ?hrBCA8NTN1Es8op2ICn_Py8kIV-QVfWj7ZcJn0rbL0aMqxXVqcxWg2_W23wAB3Roy7ixG

0-10-8	6-7-13	12-9-11	18-11-8	25-1-5	31-3-3	37-11-0	38-9-8
0-10-8	6-7-13	6-1-13	6-1-13	6-1-13	6-1-13	6-7-13	0-10-8

Scale = 1:67.5



LOADING (psf)	SPACING-	2-0-0	CSI.	DEFL.	in (loc)	l/defl	L/d	PLATES	GRIP	
TCLL 20.0	Plate Grip DOL	1.15	TC 0.80	Vert(LL)	-0.27	N-P	>999	360	MT20	244/190
TCDL 10.0	Lumber DOL	1.15	BC 0.88	Vert(TL)	-0.61	N-P	>743	240	MT20HS	187/143
BCLL 0.0 *	Rep Stress Incr	YES	WB 0.55	Horz(TL)	0.15	J	n/a	n/a		
BCDL 10.0	Code IRC2009/TPI2007		(Matrix-S)	Wind(LL)	0.27	N-P	>999	240		Weight: 196 lb FT = 20%

LUMBER-
 TOP CHORD 2x4 SP No.2
 BOT CHORD 2x4 SP No.2 *Except*
 B2: 2x4 SP No.1
 WEBS 2x4 SP No.3

BRACING-
 TOP CHORD Structural wood sheathing directly applied.
 BOT CHORD Rigid ceiling directly applied.
 WEBS 1 Row at midpt F-N, G-N, E-N

MiTek recommends that Stabilizers and required cross bracing be installed during truss erection, in accordance with Stabilizer Installation guide.

REACTIONS. (lb/size) B=1569/0-3-8 (min. 0-1-14), J=1569/0-3-8 (min. 0-1-14)
 Max Horz B=-241(LC 9)
 Max Uplift B=-635(LC 8), J=-635(LC 9)

FORCES. (lb) - Max. Comp./Max. Ten. - All forces 250 (lb) or less except when shown.
 TOP CHORD B-C=-2758/2527, C-D=-2497/2351, D-E=-2416/2382, E-F=-1767/1873, F-G=-1767/1873,
 G-H=-2416/2381, H-I=-2497/2351, I-J=-2758/2527
 BOT CHORD B-P=-2037/2392, P-W=-1464/1960, O-W=-1464/1960, O-X=-1464/1960, N-X=-1464/1960,
 N-Y=-1464/1960, M-Y=-1464/1960, M-Z=-1464/1960, L-Z=-1464/1960, J-L=-2039/2392
 WEBS F-N=-1174/1188, G-N=-677/884, G-L=-358/500, I-L=-338/608, E-N=-677/884, E-P=-358/500,
 C-P=-338/608

- NOTES-**
- Unbalanced roof live loads have been considered for this design.
 - Wind: ASCE 7-05; 130mph; TCDL=6.0psf; BCDL=6.0psf; h=25ft; Cat. II; Exp C; enclosed; MWFRS (low-rise) and C-C Exterior(2) zone; end vertical left and right exposed; C-C for members and forces & MWFRS for reactions shown; Lumber DOL=1.60 plate grip DOL=1.60
 - This truss has been designed for basic load combinations, which include cases with reductions for multiple concurrent live loads.
 - All plates are MT20 plates unless otherwise indicated.
 - This truss has been designed for a 10.0 psf bottom chord live load nonconcurrent with any other live loads.
 - * This truss has been designed for a live load of 20.0psf on the bottom chord in all areas where a rectangle 3-6-0 tall by 2-0-0 wide will fit between the bottom chord and any other members, with BCDL = 10.0psf.
 - Provide mechanical connection (by others) of truss to bearing plate capable of withstanding 100 lb uplift at joint(s) except (jt=lb) B=635, J=635.
 - This truss is designed in accordance with the 2009 International Residential Code sections R502.11.1 and R802.10.2 and referenced standard ANSI/TPI 1.
 - This truss design requires that a minimum of 7/16" structural wood sheathing be applied directly to the top chord and 1/2" gypsum sheetrock be applied directly to the bottom chord.

LOAD CASE(S) Standard

Job	Truss	Truss Type	Qty	Ply	H&H-NC/Dogwood/
MASTER	D08	COMMON	6	1	

Builders FirstSource, N. Charleston, SC

Run: 7.640 s Apr 22 2016 Print: 7.640 s Apr 22 2016 MiTek Industries, Inc. Mon Dec 18 14:53:18 2017 Page 1
 ID:?hrBCA8NTN1Es8op2lCn_Py8klV-uiduwTaE4dvtTkWC83LA3jNngw?bjyZC9qxd_Ey7ixF

0-10-8	6-7-13	12-9-11	18-11-8	25-1-5	31-3-3	37-11-0	38-9-8
0-10-8	6-7-13	6-1-13	6-1-13	6-1-13	6-1-13	6-7-13	0-10-8

Scale: 3/16"=1'

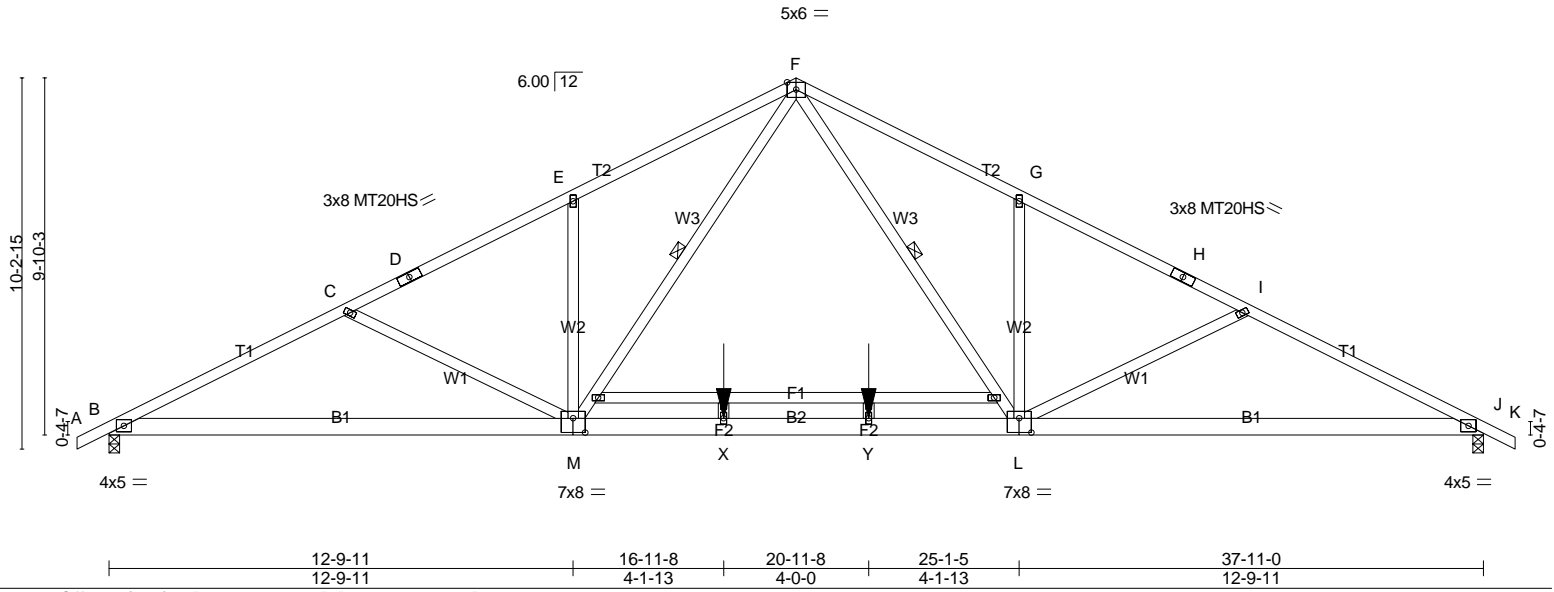


Plate Offsets (X,Y)-- [L:0-4-0,0-4-12], [M:0-4-0,0-4-12]					
LOADING (psf)	SPACING- 2-0-0	CSI.	DEFL. in (loc) l/defl L/d	PLATES	GRIP
TCLL 20.0	Plate Grip DOL 1.15	TC 0.80	Vert(LL) -0.21 M-U >999 360	MT20	244/190
TCDL 10.0	Lumber DOL 1.15	BC 0.93	Vert(TL) -0.77 L-M >592 240	MT20HS	187/143
BCLL 0.0 *	Rep Stress Incr YES	WB 0.59	Horz(TL) 0.13 J n/a n/a		
BCDL 10.0	Code IRC2009/TPI2007	(Matrix-S)	Wind(LL) 0.29 L-W >999 240		Weight: 243 lb FT = 20%

LUMBER-	BRACING-
TOP CHORD 2x4 SP No.2	TOP CHORD Structural wood sheathing directly applied.
BOT CHORD 2x6 SP No.2	BOT CHORD Rigid ceiling directly applied.
WEBS 2x4 SP No.3	WEBS 1 Row at midpt F-L, F-M

MiTek recommends that Stabilizers and required cross bracing be installed during truss erection, in accordance with Stabilizer Installation guide.

REACTIONS. (lb/size) B=1669/0-3-8 (min. 0-2-0), J=1669/0-3-8 (min. 0-2-0)
 Max Horz B=241(LC 8)
 Max Uplift B=-534(LC 8), J=-534(LC 9)

FORCES. (lb) - Max. Comp./Max. Ten. - All forces 250 (lb) or less except when shown.
 TOP CHORD B-C=-3082/2415, C-D=-2675/1961, D-E=-2588/1992, E-F=-2672/2332, F-G=-2672/2332, G-H=-2588/1992, H-I=-2675/1962, I-J=-3082/2415
 BOT CHORD B-M=-1946/2720, M-X=-753/1679, X-Y=-753/1679, L-Y=-753/1679, J-L=-1952/2720
 WEBS F-L=-943/1180, G-L=-385/688, I-L=-455/769, F-M=-943/1180, E-M=-385/688, C-M=-455/769

- NOTES-**
- 1) Unbalanced roof live loads have been considered for this design.
 - 2) Wind: ASCE 7-05; 130mph; TCDL=6.0psf; BCDL=6.0psf; h=25ft; Cat. II; Exp C; enclosed; MWFRS (low-rise) and C-C Exterior(2) zone; end vertical left and right exposed; C-C for members and forces & MWFRS for reactions shown; Lumber DOL=1.60 plate grip DOL=1.60
 - 3) 200.0lb AC unit load placed on the bottom chord, 18-11-8 from left end, supported at two points, 4-0-0 apart.
 - 4) This truss has been designed for basic load combinations, which include cases with reductions for multiple concurrent live loads.
 - 5) All plates are MT20 plates unless otherwise indicated.
 - 6) All plates are 2x4 MT20 unless otherwise indicated.
 - 7) This truss has been designed for a 10.0 psf bottom chord live load nonconcurrent with any other live loads.
 - 8) * This truss has been designed for a live load of 20.0psf on the bottom chord in all areas where a rectangle 3-6-0 tall by 2-0-0 wide will fit between the bottom chord and any other members.
 - 9) Provide mechanical connection (by others) of truss to bearing plate capable of withstanding 100 lb uplift at joint(s) except (jt=lb) B=534, J=534.
 - 10) This truss is designed in accordance with the 2009 International Residential Code sections R502.11.1 and R802.10.2 and referenced standard ANSI/TPI 1.
 - 11) This truss design requires that a minimum of 7/16" structural wood sheathing be applied directly to the top chord and 1/2" gypsum sheetrock be applied directly to the bottom chord.

LOAD CASE(S) Standard

Job	Truss	Truss Type	Qty	Ply	H&H-NC/Dogwood/
MASTER	D09	KINGPOST	1	1	
					Job Reference (optional)

Builders FirstSource, N. Charleston, SC

Run: 7.640 s Apr 22 2016 Print: 7.640 s Apr 22 2016 MiTek Industries, Inc. Mon Dec 18 14:53:18 2017 Page 1
 ID: ?hrBCA8NTN1Es8op2ICn_Py8klV-ujDuwTaE4dvtTkWC83LA3jNqtW8ojxOC9qxd_Ey7ixF

-0-10-8	6-3-8	18-11-8	37-11-0	38-9-8
0-10-8	6-3-8	12-8-0	18-11-8	0-10-8

Scale = 1:65.3

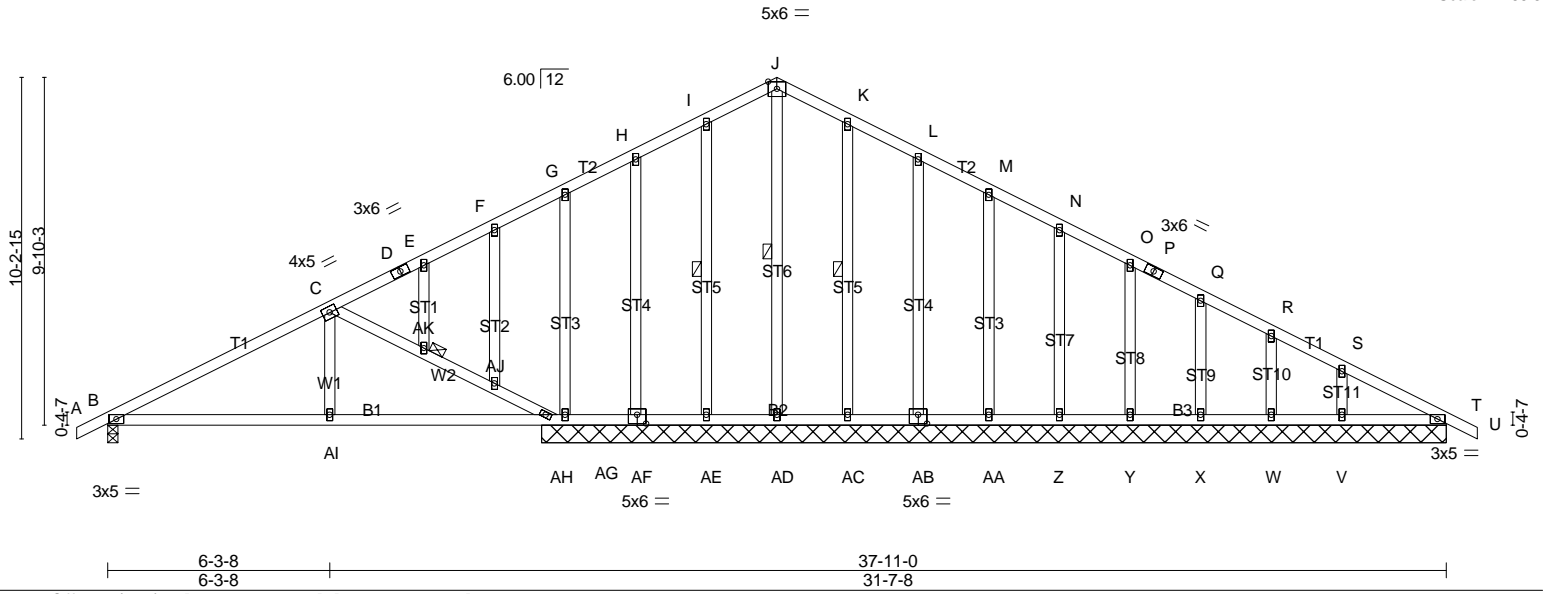


Plate Offsets (X,Y)-- [AB:0-3-0,0-3-0], [AF:0-3-0,0-3-0]

LOADING (psf)	SPACING-	2-0-0	CSI.	DEFL.	in (loc)	l/defl	L/d	PLATES	GRIP
TCLL 20.0	Plate Grip DOL	1.15	TC 0.59	Vert(LL)	-0.02 AH-AI	>999	360	MT20	244/190
TCDL 10.0	Lumber DOL	1.15	BC 0.34	Vert(TL)	-0.07 AI-AN	>999	240		
BCLL 0.0 *	Rep Stress Incr	YES	WB 0.67	Horz(TL)	0.01 T	n/a	n/a		
BCDL 10.0	Code IRC2009/TPI2007		(Matrix-S)	Wind(LL)	0.03 AI-AN	>999	240		
								Weight: 251 lb	FT = 20%

LUMBER-
 TOP CHORD 2x4 SP No.2
 BOT CHORD 2x4 SP No.2
 WEBS 2x4 SP No.3

BRACING-
 TOP CHORD Structural wood sheathing directly applied.
 BOT CHORD Rigid ceiling directly applied.
 WEBS 1 Row at midpt J-AD, K-AC, I-AE
 JOINTS 1 Brace at Jt(s): AK

MiTek recommends that Stabilizers and required cross bracing be installed during truss erection, in accordance with Stabilizer Installation guide.

REACTIONS. All bearings 25-7-8 except (jt=length) B=0-3-8.
 (lb) - Max Horz B=-241(LC 9)
 Max Uplift All uplift 100 lb or less at joint(s) AH, AC, W, AF, T except B=-220(LC 8),
 AE=-113(LC 8), AB=-110(LC 9), AA=-102(LC 9), Z=-104(LC 9), Y=-103(LC 9),
 X=-106(LC 9), V=-139(LC 9), AG=-435(LC 8)
 Max Grav All reactions 250 lb or less at joint(s) AD, AC, AE, AB, AA, Z, Y, X, W, V,
 AF, AG, T, T except B=517(LC 1), AH=874(LC 3)

FORCES. (lb) - Max. Comp./Max. Ten. - All forces 250 (lb) or less except when shown.
 TOP CHORD B-C=-563/460, G-H=0/347, H-I=0/396, I-J=0/504, J-K=0/503, K-L=0/406, L-M=0/294,
 R-S=-259/123, S-T=-392/138
 BOT CHORD B-AI=-196/441, AH-AI=-196/441, AG-AH=-94/477, AF-AG=-94/477, AE-AF=-94/477,
 AD-AE=-94/477, AC-AD=-94/477, AB-AC=-94/477, AA-AB=-94/477, Z-AA=-94/477, Y-Z=-94/477,
 X-Y=-94/477, W-X=-94/477, V-W=-94/477, T-V=-94/477
 WEBS C-AK=-584/716, AJ-AK=-592/729, AH-AJ=-611/765, J-AD=-256/0, C-AI=0/253, S-V=-153/268,
 G-AG=-282/498

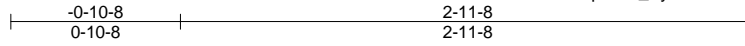
- NOTES-**
- Unbalanced roof live loads have been considered for this design.
 - Wind: ASCE 7-05; 130mph; TC DL=6.0psf; BC DL=6.0psf; h=25ft; Cat. II; Exp C; enclosed; MWFRS (low-rise) and C-C Exterior(2) zone; end vertical left and right exposed; C-C for members and forces & MWFRS for reactions shown; Lumber DOL=1.60 plate grip DOL=1.60
 - This truss has been designed for basic load combinations, which include cases with reductions for multiple concurrent live loads.
 - All plates are 2x4 MT20 unless otherwise indicated.
 - This truss has been designed for a 10.0 psf bottom chord live load nonconcurrent with any other live loads.
 - * This truss has been designed for a live load of 20.0psf on the bottom chord in all areas where a rectangle 3-6-0 tall by 2-0-0 wide will fit between the bottom chord and any other members.
 - Provide mechanical connection (by others) of truss to bearing plate capable of withstanding 100 lb uplift at joint(s) AH, AC, W, AF, T, T except (jt=lb) B=220, AE=113, AB=110, AA=102, Z=104, Y=103, X=106, V=139, AG=435.
 - This truss is designed in accordance with the 2009 International Residential Code sections R502.11.1 and R802.10.2 and referenced standard ANSI/TPI 1.
 - This truss design requires that a minimum of 7/16" structural wood sheathing be applied directly to the top chord and 1/2" gypsum sheetrock be applied directly to the bottom chord.

LOAD CASE(S) Standard

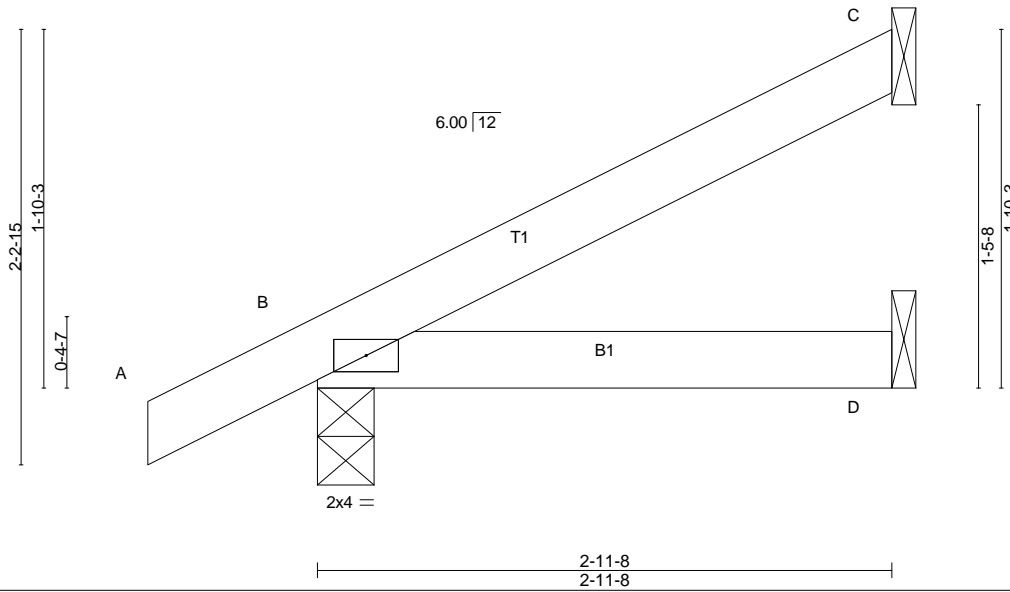
Job	Truss	Truss Type	Qty	Ply	H&H-NC/Dogwood/
MASTER	J01	JACK-OPEN	4	1	

Builders FirstSource, N. Charleston, SC

Run: 7.640 s Apr 22 2016 Print: 7.640 s Apr 22 2016 MiTek Industries, Inc. Mon Dec 18 14:53:19 2017 Page 1
 ID: ?hrBCA8NTN1Es8op2lCn_Py8klV-MunG8pbsrx1j4uVOimsPcww6dKYeSY5MNUgAWgy7ixE



Scale = 1:11.9



LOADING (psf)	SPACING-	2-0-0	CSI.	DEFL.	in (loc)	l/defl	L/d	PLATES	GRIP
TCLL 20.0	Plate Grip DOL	1.15	TC 0.14	Vert(LL)	-0.00	D-G	>999	MT20	244/190
TCDL 10.0	Lumber DOL	1.15	BC 0.11	Vert(TL)	-0.01	D-G	>999		
BCLL 0.0 *	Rep Stress Incr	YES	WB 0.00	Horz(TL)	-0.00	C	n/a		
BCDL 10.0	Code IRC2009/TPI2007		(Matrix-M)	Wind(LL)	0.01	D-G	>999	Weight: 11 lb	FT = 20%

LUMBER-
 TOP CHORD 2x4 SP No.2
 BOT CHORD 2x4 SP No.2

BRACING-
 TOP CHORD
 BOT CHORD

Structural wood sheathing directly applied or 2-11-8 oc purlins.
 Rigid ceiling directly applied or 10-0-0 oc bracing.

MiTek recommends that Stabilizers and required cross bracing be installed during truss erection, in accordance with Stabilizer Installation guide.

REACTIONS. (lb/size) C=66/Mechanical, B=188/0-3-8 (min. 0-1-8), D=30/Mechanical
 Max Horz B=129(LC 8)
 Max Uplift C=-65(LC 8), B=-118(LC 8)
 Max Grav C=66(LC 1), B=188(LC 1), D=47(LC 3)

FORCES. (lb) - Max. Comp./Max. Ten. - All forces 250 (lb) or less except when shown.

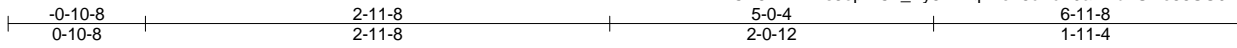
- NOTES-**
- 1) Wind: ASCE 7-05; 130mph; TCDL=6.0psf; BCDL=6.0psf; h=25ft; Cat. II; Exp C; enclosed; MWFRS (low-rise) and C-C Exterior(2) zone; end vertical left exposed; C-C for members and forces & MWFRS for reactions shown; Lumber DOL=1.60 plate grip DOL=1.60
 - 2) This truss has been designed for basic load combinations, which include cases with reductions for multiple concurrent live loads.
 - 3) This truss has been designed for a 10.0 psf bottom chord live load nonconcurrent with any other live loads.
 - 4) * This truss has been designed for a live load of 20.0psf on the bottom chord in all areas where a rectangle 3-6-0 tall by 2-0-0 wide will fit between the bottom chord and any other members.
 - 5) Refer to girder(s) for truss to truss connections.
 - 6) Provide mechanical connection (by others) of truss to bearing plate capable of withstanding 100 lb uplift at joint(s) C except (jt=lb) B=118.
 - 7) This truss is designed in accordance with the 2009 International Residential Code sections R502.11.1 and R802.10.2 and referenced standard ANSI/TPI 1.
 - 8) "Semi-rigid pitchbreaks including heels" Member end fixity model was used in the analysis and design of this truss.

LOAD CASE(S) Standard

Job	Truss	Truss Type	Qty	Ply	H&H-NC/Dogwood/
MASTER	J02	HALF HIP GIRDER	2	1	
					Job Reference (optional)

Builders FirstSource, N. Charleston, SC

Run: 7.640 s Apr 22 2016 Print: 7.640 s Apr 22 2016 MiTek Industries, Inc. Mon Dec 18 14:53:20 2017 Page 1
 ID:?hrBCA8NTN1Es8op2ICn_Py8klV-q4LeL8cVcE9ai24bFUNe88SG9ktfB_qVc8Qj26y7ixD



Scale = 1:14.7

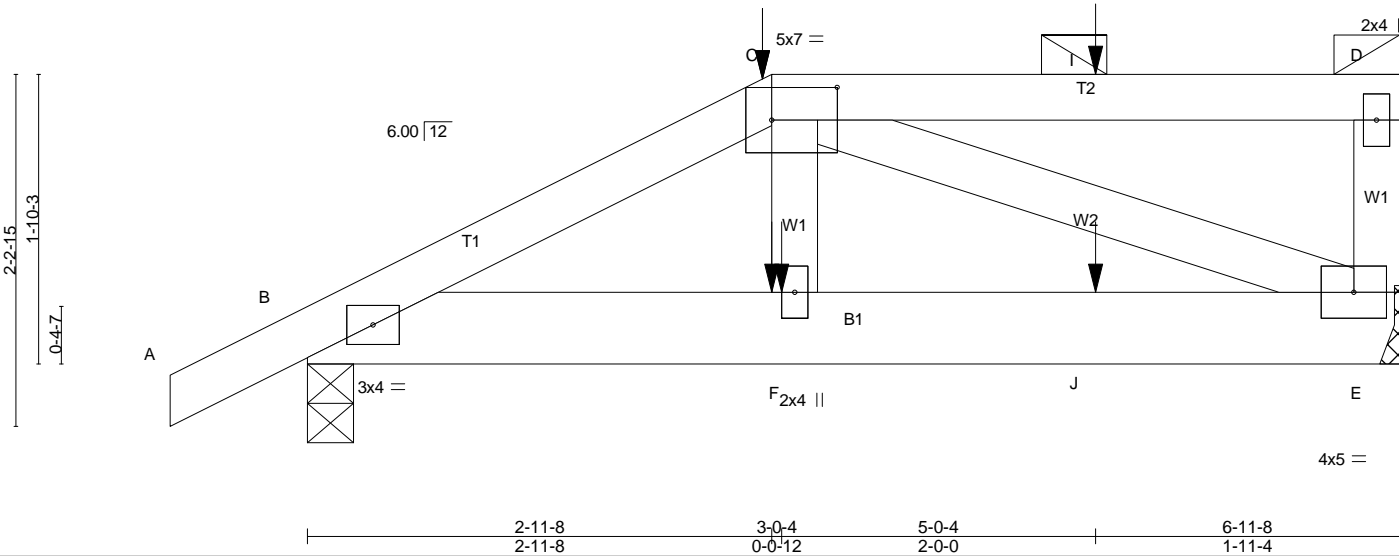


Plate Offsets (X,Y)-- [C:0-5-0,0-2-8]

LOADING (psf)	SPACING-	2-0-0	CSI.	DEFL.	in	(loc)	l/defl	L/d	PLATES	GRIP
TCLL 20.0	Plate Grip DOL	1.15	TC 0.22	Vert(LL)	-0.00	F	>999	360	MT20	244/190
TCDL 10.0	Lumber DOL	1.15	BC 0.12	Vert(TL)	-0.01	F	>999	240		
BCLL 0.0 *	Rep Stress Incr	NO	WB 0.10	Horz(TL)	0.00	E	n/a	n/a		
BCDL 10.0	Code IRC2009/TPI2007		(Matrix-M)	Wind(LL)	0.01	F	>999	240		
									Weight: 37 lb	FT = 20%

LUMBER-
 TOP CHORD 2x4 SP No.2
 BOT CHORD 2x6 SP No.2
 WEBS 2x4 SP No.2

BRACING-
 TOP CHORD Structural wood sheathing directly applied or 6-0-0 oc purlins, except end verticals, and 2-0-0 oc purlins (6-0-0 max.): C-D.
 BOT CHORD Rigid ceiling directly applied or 10-0-0 oc bracing.

MiTek recommends that Stabilizers and required cross bracing be installed during truss erection, in accordance with Stabilizer Installation guide.

REACTIONS. (lb/size) B=353/0-3-8 (min. 0-1-8), E=298/Mechanical
 Max Horz B=132(LC 6)
 Max UpliftB=-205(LC 6), E=-146(LC 5)

FORCES. (lb) - Max. Comp./Max. Ten. - All forces 250 (lb) or less except when shown.
 TOP CHORD B-C=-428/178
 BOT CHORD B-F=-184/368, F-J=-178/378, E-J=-178/378
 WEBS C-E=-356/160

- NOTES-**
- 1) Wind: ASCE 7-05; 130mph; TCDL=6.0psf; BCDL=6.0psf; h=25ft; Cat. II; Exp C; enclosed; MWFRS (low-rise); end vertical left exposed; Lumber DOL=1.60 plate grip DOL=1.60
 - 2) This truss has been designed for basic load combinations, which include cases with reductions for multiple concurrent live loads.
 - 3) Provide adequate drainage to prevent water ponding.
 - 4) This truss has been designed for a 10.0 psf bottom chord live load nonconcurrent with any other live loads.
 - 5) * This truss has been designed for a live load of 20.0psf on the bottom chord in all areas where a rectangle 3-6-0 tall by 2-0-0 wide will fit between the bottom chord and any other members.
 - 6) Refer to girder(s) for truss to truss connections.
 - 7) Provide mechanical connection (by others) of truss to bearing plate capable of withstanding 100 lb uplift at joint(s) except (jt=lb) B=205, E=146.
 - 8) This truss is designed in accordance with the 2009 International Residential Code sections R502.11.1 and R802.10.2 and referenced standard ANSI/TPI 1.
 - 9) "Semi-rigid pitchbreaks including heels" Member end fixity model was used in the analysis and design of this truss.
 - 10) Graphical purlin representation does not depict the size or the orientation of the purlin along the top and/or bottom chord.
 - 11) Hanger(s) or other connection device(s) shall be provided sufficient to support concentrated load(s) 18 lb down and 80 lb up at 2-11-8, and 7 lb down and 38 lb up at 5-0-4 on top chord, and 23 lb down and 6 lb up at 2-11-8, and 10 lb down at 5-0-4 on bottom chord. The design/selection of such connection device(s) is the responsibility of others.
 - 12) In the LOAD CASE(S) section, loads applied to the face of the truss are noted as front (F) or back (B).

LOAD CASE(S) Standard

- 1) Dead + Roof Live (balanced): Lumber Increase=1.15, Plate Increase=1.15
 Uniform Loads (plf)
 Vert: A-C=-60, C-D=-60, B-E=-20

Job	Truss	Truss Type	Qty	Ply	H&H-NC/Dogwood/ Job Reference (optional)
MASTER	J02	HALF HIP GIRDER	2	1	

Builders FirstSource, N. Charleston, SC

Run: 7.640 s Apr 22 2016 Print: 7.640 s Apr 22 2016 MiTek Industries, Inc. Mon Dec 18 14:53:20 2017 Page 2
ID:?hrBCA8NTN1Es8op2ICn_Py8klV-q4LeL8cVcE9ai24bFUNE88SG9ktfB_qVc8Qj26y7ixD

LOAD CASE(S) Standard

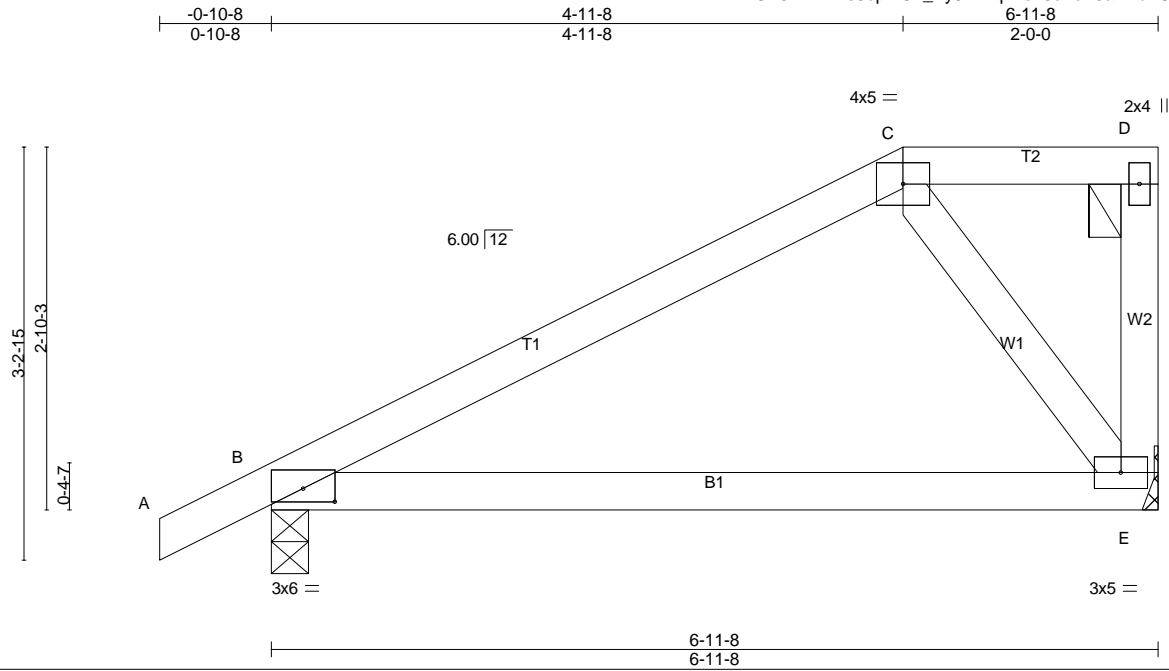
Concentrated Loads (lb)

Vert: C=-14(F) F=-23(F) I=-6(F) J=-10(F)

Job	Truss	Truss Type	Qty	Ply	H&H-NC/Dogwood/
MASTER	J03	HALF HIP	2	1	Job Reference (optional)

Builders FirstSource, N. Charleston, SC

Run: 7.640 s Apr 22 2016 Print: 7.640 s Apr 22 2016 MiTek Industries, Inc. Mon Dec 18 14:53:20 2017 Page 1
ID: ?hrBCA8NTN1Es8op2lCn_Py8kIV-q4LeL8cVcE9ai24bFUNe88SERkqABzEVc8Qj26y7ixD



Scale = 1:18.1

Plate Offsets (X,Y)-- [B:0-3-0,0-1-4]

LOADING (psf)	SPACING-	2-0-0	CSI.	DEFL.	in	(loc)	l/defl	L/d	PLATES	GRIP
TCLL 20.0	Plate Grip DOL	1.15	TC 0.33	Vert(LL)	-0.04	E-H	>999	360	MT20	244/190
TCDL 10.0	Lumber DOL	1.15	BC 0.28	Vert(TL)	-0.11	E-H	>763	240		
BCLL 0.0 *	Rep Stress Incr	YES	WB 0.14	Horz(TL)	0.00	B	n/a	n/a		
BCDL 10.0	Code IRC2009/TPI2007		(Matrix-S)	Wind(LL)	0.03	E-H	>999	240		
									Weight: 31 lb	FT = 20%

LUMBER-
TOP CHORD 2x4 SP No.2
BOT CHORD 2x4 SP No.2
WEBS 2x4 SP No.3

BRACING-
TOP CHORD Structural wood sheathing directly applied, except end verticals, and 2-0-0 oc purlins (6-0-0 max.): C-D.
BOT CHORD Rigid ceiling directly applied.

MiTek recommends that Stabilizers and required cross bracing be installed during truss erection, in accordance with Stabilizer Installation guide.

REACTIONS. (lb/size) B=351/0-3-8 (min. 0-1-8), E=247/Mechanical
Max Horz B=193(LC 8)
Max Uplift B=-175(LC 8), E=-109(LC 7)
Max Grav B=351(LC 1), E=247(LC 13)

FORCES. (lb) - Max. Comp./Max. Ten. - All forces 250 (lb) or less except when shown.
BOT CHORD B-E=-265/138
WEBS C-E=-199/455

- NOTES-**
- 1) Unbalanced roof live loads have been considered for this design.
 - 2) Wind: ASCE 7-05; 130mph; TCDL=6.0psf; BCDL=6.0psf; h=25ft; Cat. II; Exp C; enclosed; MWFRS (low-rise) and C-C Exterior(2) zone; end vertical left exposed; C-C for members and forces & MWFRS for reactions shown; Lumber DOL=1.60 plate grip DOL=1.60
 - 3) This truss has been designed for basic load combinations, which include cases with reductions for multiple concurrent live loads.
 - 4) Provide adequate drainage to prevent water ponding.
 - 5) This truss has been designed for a 10.0 psf bottom chord live load nonconcurrent with any other live loads.
 - 6) * This truss has been designed for a live load of 20.0psf on the bottom chord in all areas where a rectangle 3-6-0 tall by 2-0-0 wide will fit between the bottom chord and any other members.
 - 7) Refer to girder(s) for truss to truss connections.
 - 8) Provide mechanical connection (by others) of truss to bearing plate capable of withstanding 100 lb uplift at joint(s) except (jt=lb) B=175, E=109.
 - 9) This truss is designed in accordance with the 2009 International Residential Code sections R502.11.1 and R802.10.2 and referenced standard ANSI/TPI 1.
 - 10) This truss design requires that a minimum of 7/16" structural wood sheathing be applied directly to the top chord and 1/2" gypsum sheetrock be applied directly to the bottom chord.
 - 11) Graphical purlin representation does not depict the size or the orientation of the purlin along the top and/or bottom chord.

LOAD CASE(S) Standard

Job	Truss	Truss Type	Qty	Ply	H&H-NC/Dogwood/
MASTER	J04	JACK-PARTIAL	13	1	

Builders FirstSource, N. Charleston, SC

Run: 7.640 s Apr 22 2016 Print: 7.640 s Apr 22 2016 MiTek Industries, Inc. Mon Dec 18 14:53:20 2017 Page 1
ID:?hrBCA8NTN1Es8op2ICn_Py8klV-q4LeL8cVcE9ai24bFUne88SFwkoWBzcVc8Qj26y7ixD

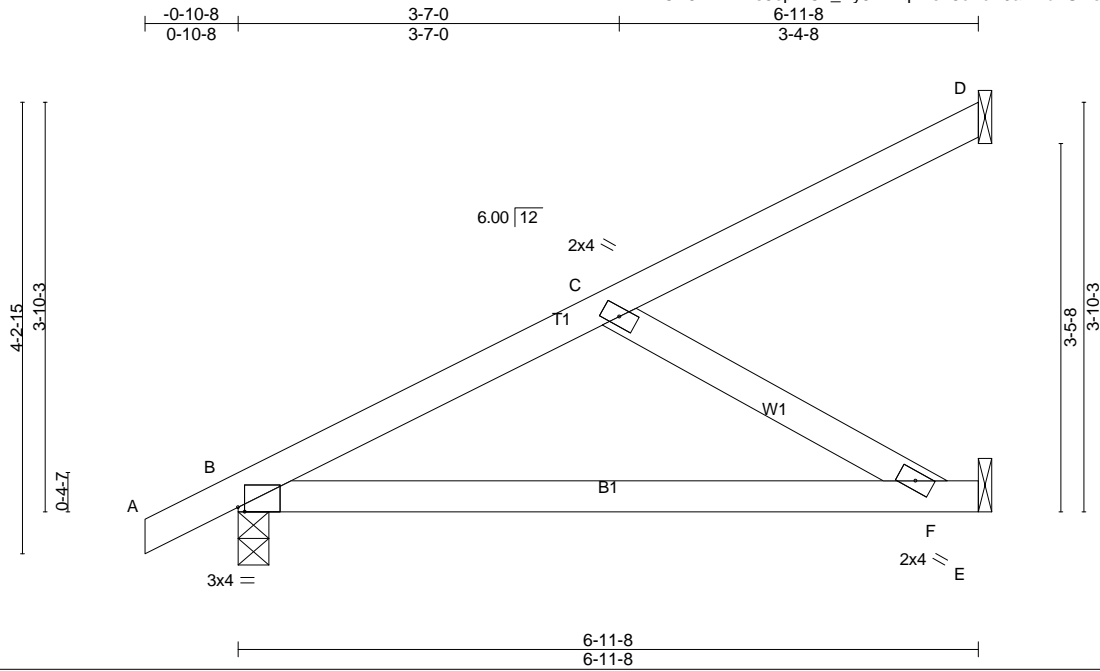


Plate Offsets (X,Y)-- [B:0-0-12,Edge]

LOADING (psf)	SPACING-	CSI.	DEFL.	in (loc)	l/defl	L/d	PLATES	GRIP
TCLL 20.0	2-0-0	TC 0.26	Vert(LL) -0.06	F-I	>999	360	MT20	244/190
TCDL 10.0	Plate Grip DOL 1.15	BC 0.39	Vert(TL) -0.15	F-I	>553	240		
BCLL 0.0 *	Lumber DOL 1.15	WB 0.18	Horz(TL) -0.00	E	n/a	n/a		
BCDL 10.0	Rep Stress Incr YES	(Matrix-S)	Wind(LL) 0.03	F-I	>999	240		
	Code IRC2009/TPI2007						Weight: 29 lb	FT = 20%

LUMBER-
TOP CHORD 2x4 SP No.2
BOT CHORD 2x4 SP No.2
WEBS 2x4 SP No.3

BRACING-
TOP CHORD Structural wood sheathing directly applied.
BOT CHORD Rigid ceiling directly applied.

MiTek recommends that Stabilizers and required cross bracing be installed during truss erection, in accordance with Stabilizer Installation guide.

REACTIONS. (lb/size) D=82/Mechanical, B=347/0-3-8 (min. 0-1-8), E=175/Mechanical
Max Horz B=250(LC 8)
Max Uplift D=-90(LC 8), B=-148(LC 8), E=-87(LC 8)

FORCES. (lb) - Max. Comp./Max. Ten. - All forces 250 (lb) or less except when shown.
TOP CHORD B-C=-278/225
BOT CHORD B-F=-515/234
WEBS C-F=-268/588

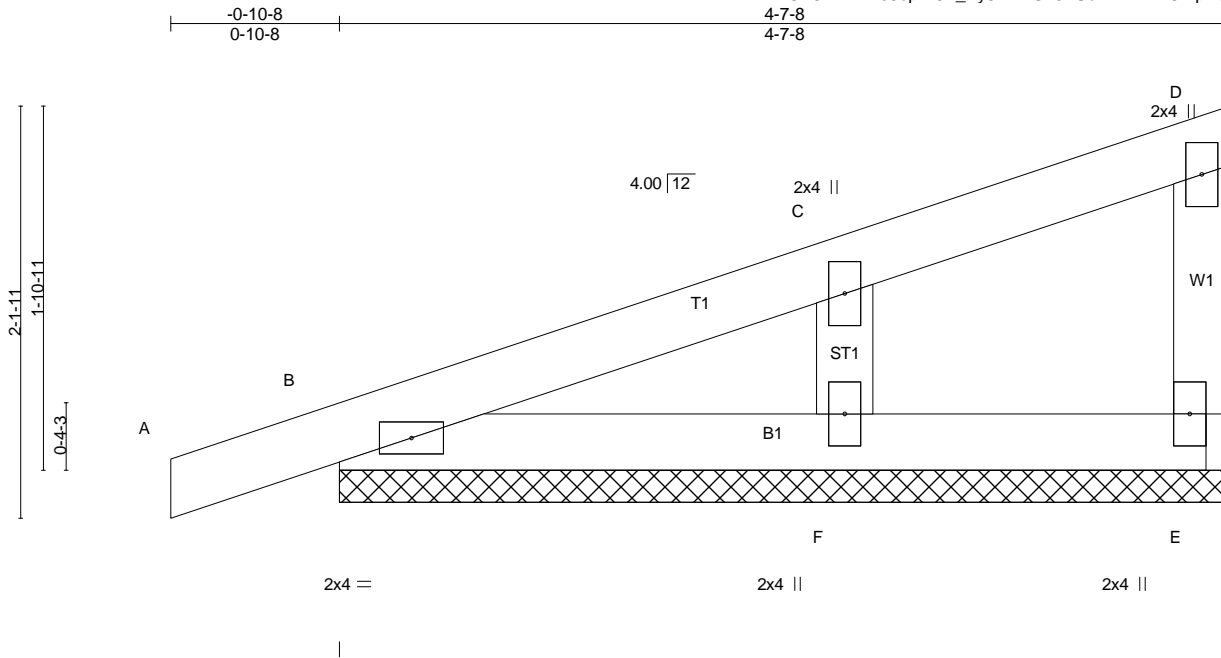
- NOTES-**
- 1) Wind: ASCE 7-05; 130mph; TCDL=6.0psf; BCDL=6.0psf; h=25ft; Cat. II; Exp C; enclosed; MWFRS (low-rise) and C-C Exterior(2) zone; end vertical left exposed; C-C for members and forces & MWFRS for reactions shown; Lumber DOL=1.60 plate grip DOL=1.60
 - 2) This truss has been designed for basic load combinations, which include cases with reductions for multiple concurrent live loads.
 - 3) This truss has been designed for a 10.0 psf bottom chord live load nonconcurrent with any other live loads.
 - 4) * This truss has been designed for a live load of 20.0psf on the bottom chord in all areas where a rectangle 3-6-0 tall by 2-0-0 wide will fit between the bottom chord and any other members.
 - 5) Refer to girder(s) for truss to truss connections.
 - 6) Provide mechanical connection (by others) of truss to bearing plate capable of withstanding 100 lb uplift at joint(s) D, E except (jt=lb) B=148.
 - 7) This truss is designed in accordance with the 2009 International Residential Code sections R502.11.1 and R802.10.2 and referenced standard ANSI/TPI 1.
 - 8) This truss design requires that a minimum of 7/16" structural wood sheathing be applied directly to the top chord and 1/2" gypsum sheetrock be applied directly to the bottom chord.

LOAD CASE(S) Standard

Job	Truss	Truss Type	Qty	Ply	H&H-NC/Dogwood/
MASTER	M01	GABLE	2	1	

Builders FirstSource, N. Charleston, SC

Run: 7.640 s Apr 22 2016 Print: 7.640 s Apr 22 2016 MiTek Industries, Inc. Mon Dec 18 14:53:21 2017 Page 1
ID:?hrBCA8NTN1Es8op2ICn_Py8kIV-IGv0ZUc7NYHRKCfnpButhL?TY8ExwRxfro9HaZy7ixC



LOADING (psf)	SPACING-	CSI.	DEFL.	in (loc)	l/defl	L/d	PLATES	GRIP
TCLL 20.0	2-0-0	TC 0.12	Vert(LL) 0.00	A	n/r	120	MT20	244/190
TCDL 10.0	Plate Grip DOL 1.15	BC 0.05	Vert(TL) 0.00	A	n/r	120		
BCLL 0.0 *	Lumber DOL 1.15	WB 0.11	Horz(TL) 0.00		n/a	n/a		
BCDL 10.0	Rep Stress Incr YES	(Matrix)					Weight: 18 lb	FT = 20%
	Code IRC2009/TPI2007							

LUMBER-
TOP CHORD 2x4 SP No.2
BOT CHORD 2x4 SP No.2
WEBS 2x4 SP No.3
OTHERS 2x4 SP No.3

BRACING-
TOP CHORD Structural wood sheathing directly applied or 4-7-8 oc purlins, except end verticals.
BOT CHORD Rigid ceiling directly applied or 10-0-0 oc bracing.
MiTek recommends that Stabilizers and required cross bracing be installed during truss erection, in accordance with Stabilizer Installation guide.

REACTIONS. (lb/size) E=49/4-7-8 (min. 0-1-8), B=148/4-7-8 (min. 0-1-8), F=214/4-7-8 (min. 0-1-8)
Max Horz B=116(LC 6)
Max Uplift E=-30(LC 6), B=-104(LC 6), F=-103(LC 6)

FORCES. (lb) - Max. Comp./Max. Ten. - All forces 250 (lb) or less except when shown.
WEBS C-F=-157/357

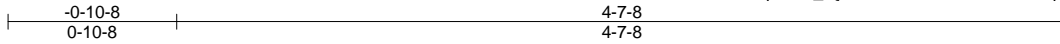
- NOTES-**
- 1) Wind: ASCE 7-05; 130mph; TCDL=6.0psf; BCDL=6.0psf; h=25ft; Cat. II; Exp C; enclosed; MWFRS (low-rise) and C-C Exterior(2) zone; end vertical left exposed; C-C for members and forces & MWFRS for reactions shown; Lumber DOL=1.60 plate grip DOL=1.60
 - 2) Truss designed for wind loads in the plane of the truss only. For studs exposed to wind (normal to the face), see Standard Industry Gable End Details as applicable, or consult qualified building designer as per ANSI/TPI 1.
 - 3) This truss has been designed for basic load combinations, which include cases with reductions for multiple concurrent live loads.
 - 4) Gable requires continuous bottom chord bearing.
 - 5) Gable studs spaced at 2-0-0 oc.
 - 6) This truss has been designed for a 10.0 psf bottom chord live load nonconcurrent with any other live loads.
 - 7) * This truss has been designed for a live load of 20.0psf on the bottom chord in all areas where a rectangle 3-6-0 tall by 2-0-0 wide will fit between the bottom chord and any other members.
 - 8) Provide mechanical connection (by others) of truss to bearing plate capable of withstanding 100 lb uplift at joint(s) E except (jt=lb) B=104, F=103.
 - 9) This truss is designed in accordance with the 2009 International Residential Code sections R502.11.1 and R802.10.2 and referenced standard ANSI/TPI 1.
 - 10) "Semi-rigid pitchbreaks including heels" Member end fixity model was used in the analysis and design of this truss.

LOAD CASE(S) Standard

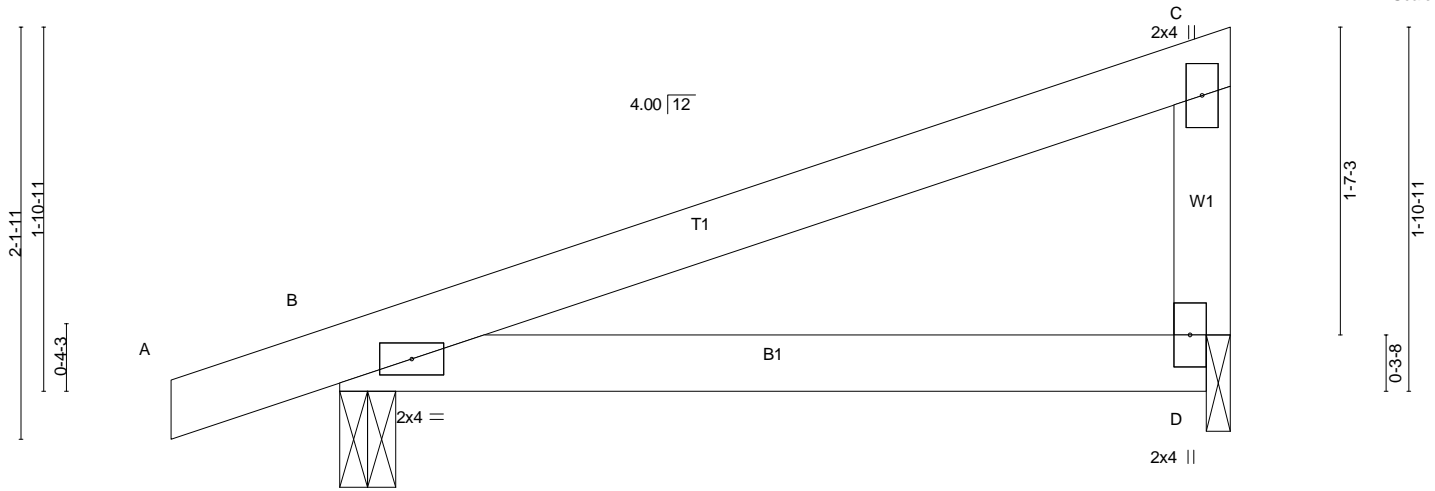
Job	Truss	Truss Type	Qty	Ply	H&H-NC/Dogwood/
MASTER	M02	MONOPITCH	6	1	

Builders FirstSource, N. Charleston, SC

Run: 7.640 s Apr 22 2016 Print: 7.640 s Apr 22 2016 MiTek Industries, Inc. Mon Dec 18 14:53:21 2017 Page 1
 ID: ?hrBCA8NTN1Es8op2ICn_Py8kIV-IGv0ZUc7NYHRKCfnpButhL?PN891wSbfro9HaZy7ixC



Scale: 1"=1'



LOADING (psf)	SPACING-	2-0-0	CSI.	DEFL.	in (loc)	l/defl	L/d	PLATES	GRIP
TCLL 20.0	Plate Grip DOL	1.15	TC 0.38	Vert(LL)	-0.01	D-G	>999	MT20	244/190
TCDL 10.0	Lumber DOL	1.15	BC 0.37	Vert(TL)	-0.03	D-G	>999		
BCLL 0.0 *	Rep Stress Incr	YES	WB 0.00	Horz(TL)	-0.00	B	n/a		
BCDL 10.0	Code IRC2009/TPI2007		(Matrix-S)	Wind(LL)	0.07	D-G	>800	Weight: 17 lb	FT = 20%

LUMBER-
 TOP CHORD 2x4 SP No.2
 BOT CHORD 2x4 SP No.2
 WEBS 2x4 SP No.3

BRACING-
 TOP CHORD Structural wood sheathing directly applied, except end verticals.
 BOT CHORD Rigid ceiling directly applied.

MiTek recommends that Stabilizers and required cross bracing be installed during truss erection, in accordance with Stabilizer Installation guide.

REACTIONS. (lb/size) B=261/0-3-8 (min. 0-1-8), D=150/0-1-8 (min. 0-1-8)
 Max Horz B=118(LC 6)
 Max Uplift B=-278(LC 6), D=-170(LC 6)

FORCES. (lb) - Max. Comp./Max. Ten. - All forces 250 (lb) or less except when shown.

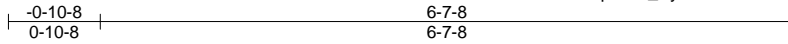
- NOTES-**
- 1) Wind: ASCE 7-05; 130mph; TCDL=6.0psf; BCDL=6.0psf; h=25ft; Cat. II; Exp C; enclosed; MWFRS (low-rise) and C-C Exterior(2) zone; end vertical left exposed; porch left exposed; C-C for members and forces & MWFRS for reactions shown; Lumber DOL=1.60 plate grip DOL=1.60
 - 2) This truss has been designed for basic load combinations, which include cases with reductions for multiple concurrent live loads.
 - 3) This truss has been designed for a 10.0 psf bottom chord live load nonconcurrent with any other live loads.
 - 4) * This truss has been designed for a live load of 20.0psf on the bottom chord in all areas where a rectangle 3-6-0 tall by 2-0-0 wide will fit between the bottom chord and any other members.
 - 5) Bearing at joint(s) D considers parallel to grain value using ANSI/TPI 1 angle to grain formula. Building designer should verify capacity of bearing surface.
 - 6) Provide mechanical connection (by others) of truss to bearing plate at joint(s) D.
 - 7) Provide mechanical connection (by others) of truss to bearing plate capable of withstanding 100 lb uplift at joint(s) except (jt=lb) B=278, D=170.
 - 8) This truss is designed in accordance with the 2009 International Residential Code sections R502.11.1 and R802.10.2 and referenced standard ANSI/TPI 1.
 - 9) This truss design requires that a minimum of 7/16" structural wood sheathing be applied directly to the top chord and 1/2" gypsum sheetrock be applied directly to the bottom chord.

LOAD CASE(S) Standard

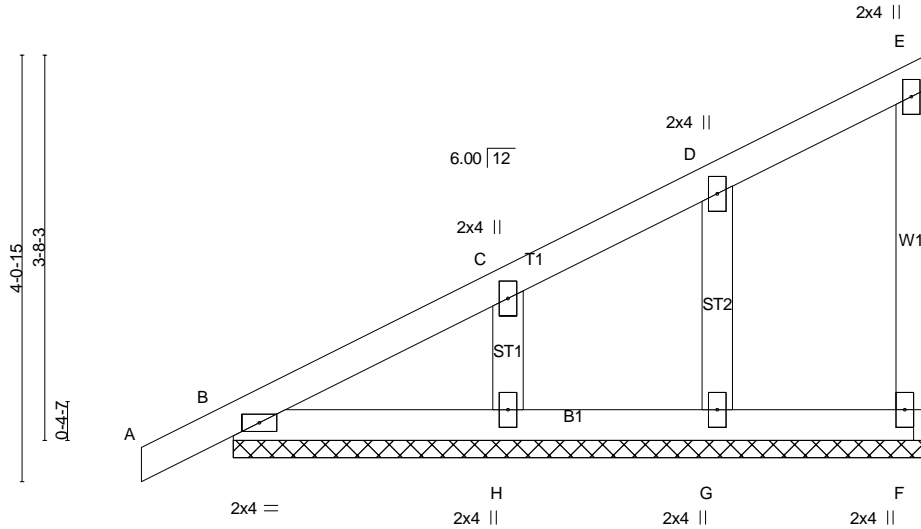
Job	Truss	Truss Type	Qty	Ply	H&H-NC/Dogwood/
MASTER	M03	GABLE	1	1	Job Reference (optional)

Builders FirstSource, N. Charleston, SC

Run: 7.640 s Apr 22 2016 Print: 7.640 s Apr 22 2016 MiTek Industries, Inc. Mon Dec 18 14:53:22 2017 Page 1
ID: ?hrBCA8NTN1Es8op2ICn_Py8klV-mTTOmqdl8sPlxMEzNvP6EZXeFXaDfu7o3Svq7?y7ixB



Scale = 1:22.0



LOADING (psf)	SPACING-	CSI.	DEFL.	in (loc)	l/defl	L/d	PLATES	GRIP
TCLL 20.0	2-0-0	TC 0.12	Vert(LL) 0.00	A	n/r	120	MT20	244/190
TCDL 10.0	Plate Grip DOL 1.15	BC 0.05	Vert(TL) 0.00	A	n/r	120		
BCLL 0.0 *	Lumber DOL 1.15	WB 0.11	Horz(TL) 0.00		n/a	n/a		
BCDL 10.0	Rep Stress Incr YES	(Matrix)						
	Code IRC2009/TPI2007						Weight: 32 lb	FT = 20%

LUMBER-
TOP CHORD 2x4 SP No.2
BOT CHORD 2x4 SP No.2
WEBS 2x4 SP No.3
OTHERS 2x4 SP No.3

BRACING-
TOP CHORD Structural wood sheathing directly applied or 6-0-0 oc purlins, except end verticals.
BOT CHORD Rigid ceiling directly applied or 10-0-0 oc bracing.
MiTek recommends that Stabilizers and required cross bracing be installed during truss erection, in accordance with Stabilizer Installation guide.

REACTIONS. All bearings 6-7-8.
(lb) - Max Horz B=236(LC 8)
Max Uplift All uplift 100 lb or less at joint(s) F, B except G=-107(LC 8), H=-120(LC 8)
Max Grav All reactions 250 lb or less at joint(s) F, B, G, H

FORCES. (lb) - Max. Comp./Max. Ten. - All forces 250 (lb) or less except when shown.
TOP CHORD B-C=-381/38
WEBS D-G=-120/289, C-H=-148/372

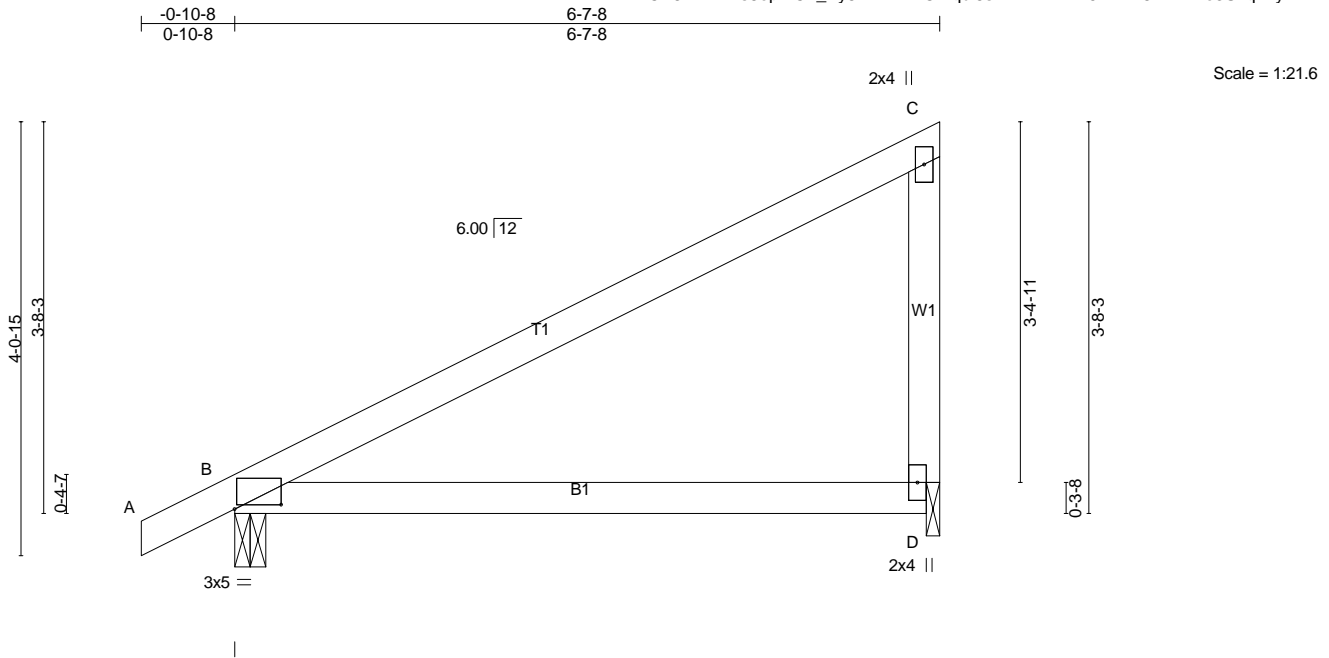
- NOTES-**
- 1) Wind: ASCE 7-05; 130mph; TCDL=6.0psf; BCDL=6.0psf; h=25ft; Cat. II; Exp C; enclosed; MWFRS (low-rise) and C-C Exterior(2) zone; end vertical left exposed; C-C for members and forces & MWFRS for reactions shown; Lumber DOL=1.60 plate grip DOL=1.60
 - 2) Truss designed for wind loads in the plane of the truss only. For studs exposed to wind (normal to the face), see Standard Industry Gable End Details as applicable, or consult qualified building designer as per ANSI/TPI 1.
 - 3) This truss has been designed for basic load combinations, which include cases with reductions for multiple concurrent live loads.
 - 4) Gable requires continuous bottom chord bearing.
 - 5) Gable studs spaced at 2-0-0 oc.
 - 6) This truss has been designed for a 10.0 psf bottom chord live load nonconcurrent with any other live loads.
 - 7) * This truss has been designed for a live load of 20.0psf on the bottom chord in all areas where a rectangle 3-6-0 tall by 2-0-0 wide will fit between the bottom chord and any other members.
 - 8) Provide mechanical connection (by others) of truss to bearing plate capable of withstanding 100 lb uplift at joint(s) F, B except (jt=lb) G=107, H=120.
 - 9) This truss is designed in accordance with the 2009 International Residential Code sections R502.11.1 and R802.10.2 and referenced standard ANSI/TPI 1.
 - 10) "Semi-rigid pitchbreaks including heels" Member end fixity model was used in the analysis and design of this truss.

LOAD CASE(S) Standard

Job	Truss	Truss Type	Qty	Ply	H&H-NC/Dogwood/
MASTER	M04	MONOPITCH	1	1	Job Reference (optional)

Builders FirstSource, N. Charleston, SC

Run: 7.640 s Apr 22 2016 Print: 7.640 s Apr 22 2016 MiTek Industries, Inc. Mon Dec 18 14:53:22 2017 Page 1
ID: ?hrBCA8NTN1Es8op2lCn_Py8kIV-mTTOmqdl8sPlxMEzNvP6EZXT8XP4fvro3Svq7?y7ixB



Scale = 1:21.6

Plate Offsets (X,Y)-- [B:0-5-4,0-0-8]

LOADING (psf)	SPACING-	2-0-0	CSI.	DEFL.	in	(loc)	l/defl	L/d	PLATES	GRIP
TCLL 20.0	Plate Grip DOL	1.15	TC 0.83	Vert(LL)	-0.05	D-G	>999	360	MT20	244/190
TCDL 10.0	Lumber DOL	1.15	BC 0.76	Vert(TL)	-0.13	D-G	>585	240		
BCLL 0.0 *	Rep Stress Incr	YES	WB 0.00	Horz(TL)	-0.01	B	n/a	n/a		
BCDL 10.0	Code IRC2009/TPI2007		(Matrix-S)	Wind(LL)	0.26	D-G	>299	240		
									Weight: 27 lb	FT = 20%

LUMBER-
TOP CHORD 2x4 SP No.2
BOT CHORD 2x4 SP No.2
WEBS 2x4 SP No.3

BRACING-
TOP CHORD Structural wood sheathing directly applied, except end verticals.
BOT CHORD Rigid ceiling directly applied.

MiTek recommends that Stabilizers and required cross bracing be installed during truss erection, in accordance with Stabilizer Installation guide.

REACTIONS. (lb/size) B=359/0-3-8 (min. 0-1-8), D=212/0-1-8 (min. 0-1-8)
Max Horz B=238(LC 8)
Max Uplift B=-353(LC 8), D=-262(LC 8)

FORCES. (lb) - Max. Comp./Max. Ten. - All forces 250 (lb) or less except when shown.
TOP CHORD C-D=-152/380

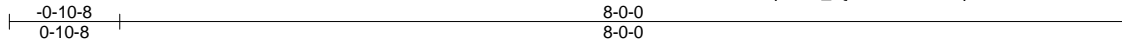
- NOTES-**
- 1) Wind: ASCE 7-05; 130mph; TCDL=6.0psf; BCDL=6.0psf; h=25ft; Cat. II; Exp C; enclosed; MWFRS (low-rise) and C-C Exterior(2) zone; end vertical left exposed; porch left exposed; C-C for members and forces & MWFRS for reactions shown; Lumber DOL=1.60 plate grip DOL=1.60
 - 2) This truss has been designed for basic load combinations, which include cases with reductions for multiple concurrent live loads.
 - 3) This truss has been designed for a 10.0 psf bottom chord live load nonconcurrent with any other live loads.
 - 4) * This truss has been designed for a live load of 20.0psf on the bottom chord in all areas where a rectangle 3-6-0 tall by 2-0-0 wide will fit between the bottom chord and any other members.
 - 5) Bearing at joint(s) D considers parallel to grain value using ANSI/TPI 1 angle to grain formula. Building designer should verify capacity of bearing surface.
 - 6) Provide mechanical connection (by others) of truss to bearing plate at joint(s) D.
 - 7) Provide mechanical connection (by others) of truss to bearing plate capable of withstanding 100 lb uplift at joint(s) except (jt=lb) B=353, D=262.
 - 8) This truss is designed in accordance with the 2009 International Residential Code sections R502.11.1 and R802.10.2 and referenced standard ANSI/TPI 1.
 - 9) This truss design requires that a minimum of 7/16" structural wood sheathing be applied directly to the top chord and 1/2" gypsum sheetrock be applied directly to the bottom chord.

LOAD CASE(S) Standard

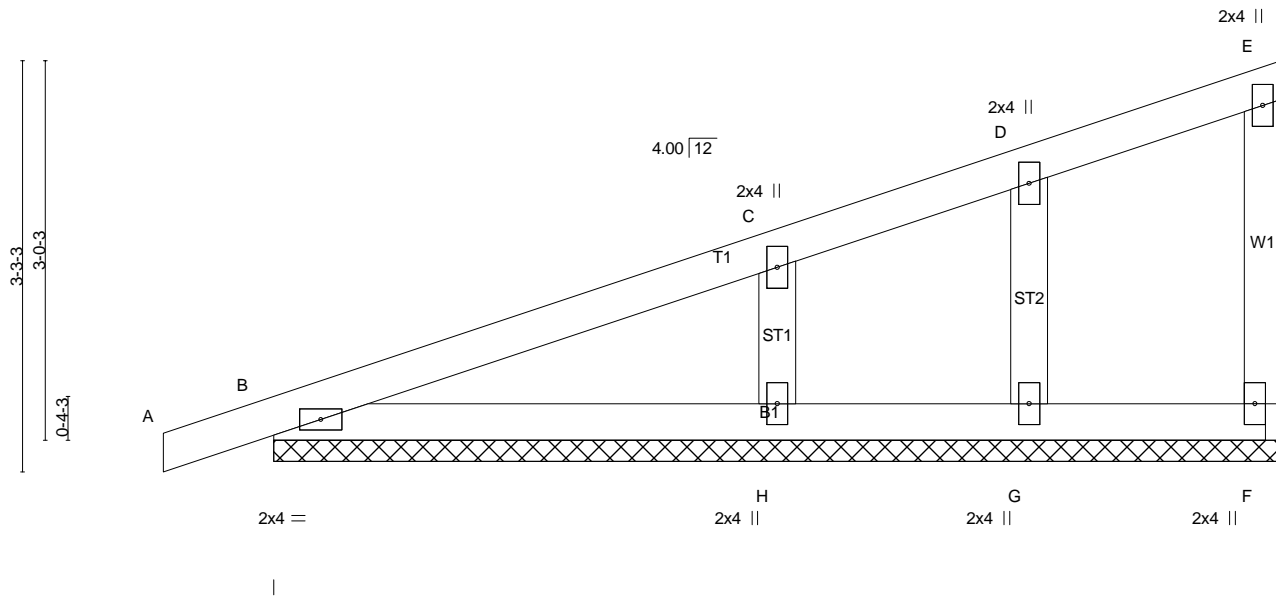
Job	Truss	Truss Type	Qty	Ply	H&H-NC/Dogwood/
MASTER	M05	GABLE	2	1	
					Job Reference (optional)

Builders FirstSource, N. Charleston, SC

Run: 7.640 s Apr 22 2016 Print: 7.640 s Apr 22 2016 MiTek Industries, Inc. Mon Dec 18 14:53:22 2017 Page 1
ID: ?hrBCA8NTN1Es8op2lCn_Py8kIV-mTTOMqdl8sPlxMEzNvP6EZxcaXZCftoo3Svq7?y7ixB



Scale = 1:18.3



LOADING (psf)	SPACING-	2-0-0	CSI.	DEFL.	in (loc)	l/defl	L/d	PLATES	GRIP
TCLL 20.0	Plate Grip DOL	1.15	TC 0.23	Vert(LL)	0.00	A	n/r	MT20	244/190
TCDL 10.0	Lumber DOL	1.15	BC 0.12	Vert(TL)	0.01	A	n/r		
BCLL 0.0 *	Rep Stress Incr	YES	WB 0.13	Horz(TL)	-0.00	F	n/a		
BCDL 10.0	Code IRC2009/TPI2007		(Matrix)					Weight: 34 lb	FT = 20%

LUMBER-
TOP CHORD 2x4 SP No.2
BOT CHORD 2x4 SP No.2
WEBS 2x4 SP No.3
OTHERS 2x4 SP No.3

BRACING-
TOP CHORD Structural wood sheathing directly applied or 6-0-0 oc purlins, except end verticals.
BOT CHORD Rigid ceiling directly applied or 10-0-0 oc bracing.
MiTek recommends that Stabilizers and required cross bracing be installed during truss erection, in accordance with Stabilizer Installation guide.

REACTIONS. All bearings 8-0-0.
(lb) - Max Horz B=184(LC 6)
Max Uplift All uplift 100 lb or less at joint(s) F, G except B=101(LC 6), H=160(LC 6)
Max Grav All reactions 250 lb or less at joint(s) F, B, G except H=314(LC 1)

FORCES. (lb) - Max. Comp./Max. Ten. - All forces 250 (lb) or less except when shown.
TOP CHORD B-C=-255/39
WEBS C-H=-224/442

- NOTES-**
- 1) Wind: ASCE 7-05; 130mph; TCDL=6.0psf; BCDL=6.0psf; h=25ft; Cat. II; Exp C; enclosed; MWFRS (low-rise) and C-C Exterior(2) zone; end vertical left exposed; C-C for members and forces & MWFRS for reactions shown; Lumber DOL=1.60 plate grip DOL=1.60
 - 2) Truss designed for wind loads in the plane of the truss only. For studs exposed to wind (normal to the face), see Standard Industry Gable End Details as applicable, or consult qualified building designer as per ANSI/TPI 1.
 - 3) This truss has been designed for basic load combinations, which include cases with reductions for multiple concurrent live loads.
 - 4) Gable requires continuous bottom chord bearing.
 - 5) Gable studs spaced at 2-0-0 oc.
 - 6) This truss has been designed for a 10.0 psf bottom chord live load nonconcurrent with any other live loads.
 - 7) * This truss has been designed for a live load of 20.0psf on the bottom chord in all areas where a rectangle 3-6-0 tall by 2-0-0 wide will fit between the bottom chord and any other members.
 - 8) Provide mechanical connection (by others) of truss to bearing plate capable of withstanding 100 lb uplift at joint(s) F, G except (jt=lb) B=101, H=160.
 - 9) This truss is designed in accordance with the 2009 International Residential Code sections R502.11.1 and R802.10.2 and referenced standard ANSI/TPI 1.
 - 10) "Semi-rigid pitchbreaks including heels" Member end fixity model was used in the analysis and design of this truss.

LOAD CASE(S) Standard

Job	Truss	Truss Type	Qty	Ply	H&H-NC/Dogwood/
MASTER	M06	MONOPITCH	4	1	Job Reference (optional)

Builders FirstSource, N. Charleston, SC

Run: 7.640 s Apr 22 2016 Print: 7.640 s Apr 22 2016 MiTek Industries, Inc. Mon Dec 18 14:53:23 2017 Page 1
ID:?hrBCA8NTN1Es8op2ICn_Py8klV-Ef1n_AeNu9X9ZWp9xcxLmm4gpxm_OJexl6eOfRy7ixA

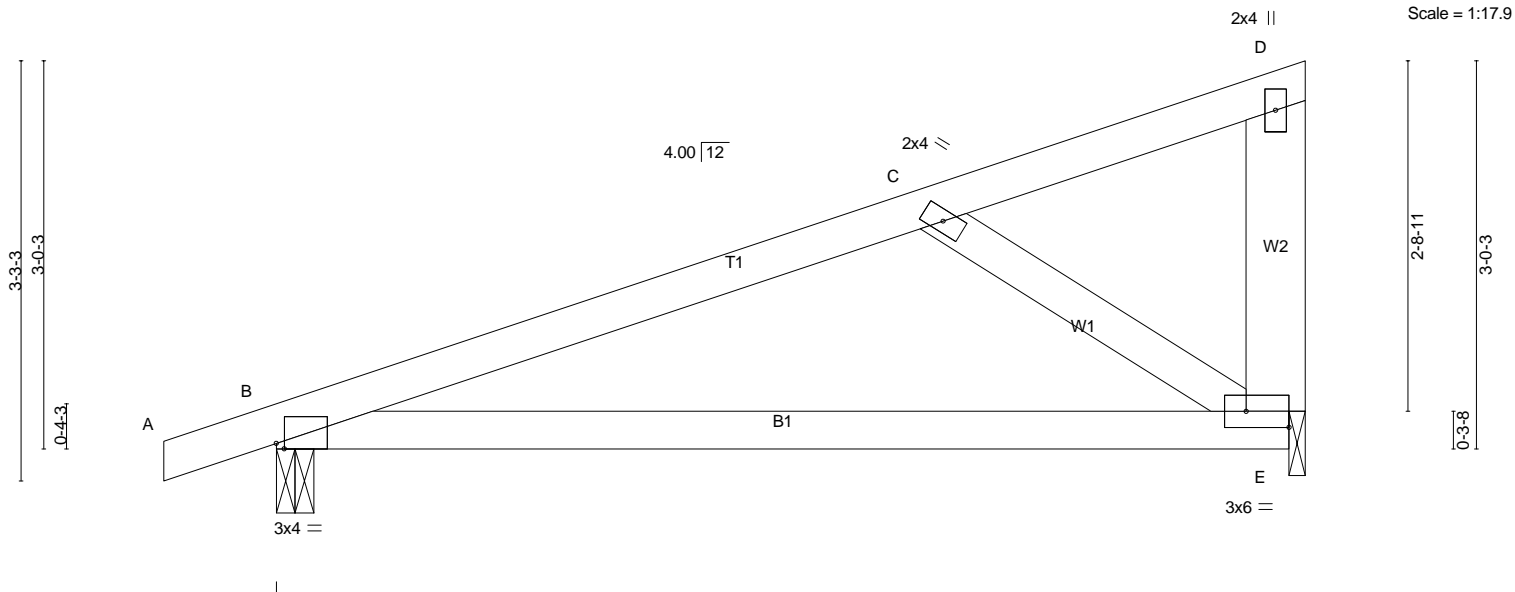
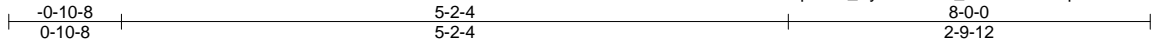


Plate Offsets (X,Y)-- [B:0-0-12,Edge], [E:Edge,0-1-8]

LOADING (psf)	SPACING-	2-0-0	CSI.	DEFL.	in	(loc)	l/defl	L/d	PLATES	GRIP
TCLL 20.0	Plate Grip DOL	1.15	TC 0.64	Vert(LL)	-0.06	E-H	>999	360	MT20	244/190
TCDL 10.0	Lumber DOL	1.15	BC 0.66	Vert(TL)	-0.15	E-H	>626	240		
BCLL 0.0 *	Rep Stress Incr	YES	WB 0.22	Horz(TL)	-0.01	E	n/a	n/a		
BCDL 10.0	Code IRC2009/TPI2007		(Matrix-S)	Wind(LL)	0.26	E-H	>362	240		
									Weight: 36 lb	FT = 20%

LUMBER-
 TOP CHORD 2x4 SP No.2
 BOT CHORD 2x4 SP No.2
 WEBS 2x6 SP No.2 *Except*
 W1: 2x4 SP No.3

BRACING-
 TOP CHORD Structural wood sheathing directly applied, except end verticals.
 BOT CHORD Rigid ceiling directly applied.
 MiTek recommends that Stabilizers and required cross bracing be installed during truss erection, in accordance with Stabilizer Installation guide.

REACTIONS. (lb/size) B=386/0-3-8 (min. 0-1-8), E=288/0-1-8 (min. 0-1-8)
 Max Horz B=184(LC 6)
 Max Uplift B=-400(LC 6), E=-323(LC 6)

FORCES. (lb) - Max. Comp./Max. Ten. - All forces 250 (lb) or less except when shown.
 TOP CHORD B-C=-350/584
 BOT CHORD B-E=-769/308
 WEBS C-E=-327/744

- NOTES-**
- 1) Wind: ASCE 7-05; 130mph; TCDL=6.0psf; BCDL=6.0psf; h=25ft; Cat. II; Exp C; enclosed; MWFRS (low-rise) and C-C Exterior(2) zone; end vertical left exposed; porch left exposed; C-C for members and forces & MWFRS for reactions shown; Lumber DOL=1.60 plate grip DOL=1.60
 - 2) This truss has been designed for basic load combinations, which include cases with reductions for multiple concurrent live loads.
 - 3) This truss has been designed for a 10.0 psf bottom chord live load nonconcurrent with any other live loads.
 - 4) * This truss has been designed for a live load of 20.0psf on the bottom chord in all areas where a rectangle 3-6-0 tall by 2-0-0 wide will fit between the bottom chord and any other members.
 - 5) Bearing at joint(s) E considers parallel to grain value using ANSI/TPI 1 angle to grain formula. Building designer should verify capacity of bearing surface.
 - 6) Provide mechanical connection (by others) of truss to bearing plate at joint(s) E.
 - 7) Provide mechanical connection (by others) of truss to bearing plate capable of withstanding 100 lb uplift at joint(s) except (jt=lb) B=400, E=323.
 - 8) This truss is designed in accordance with the 2009 International Residential Code sections R502.11.1 and R802.10.2 and referenced standard ANSI/TPI 1.
 - 9) This truss design requires that a minimum of 7/16" structural wood sheathing be applied directly to the top chord and 1/2" gypsum sheetrock be applied directly to the bottom chord.

LOAD CASE(S) Standard