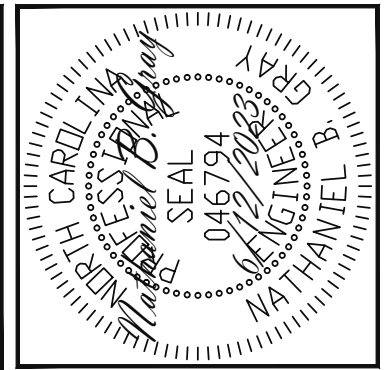
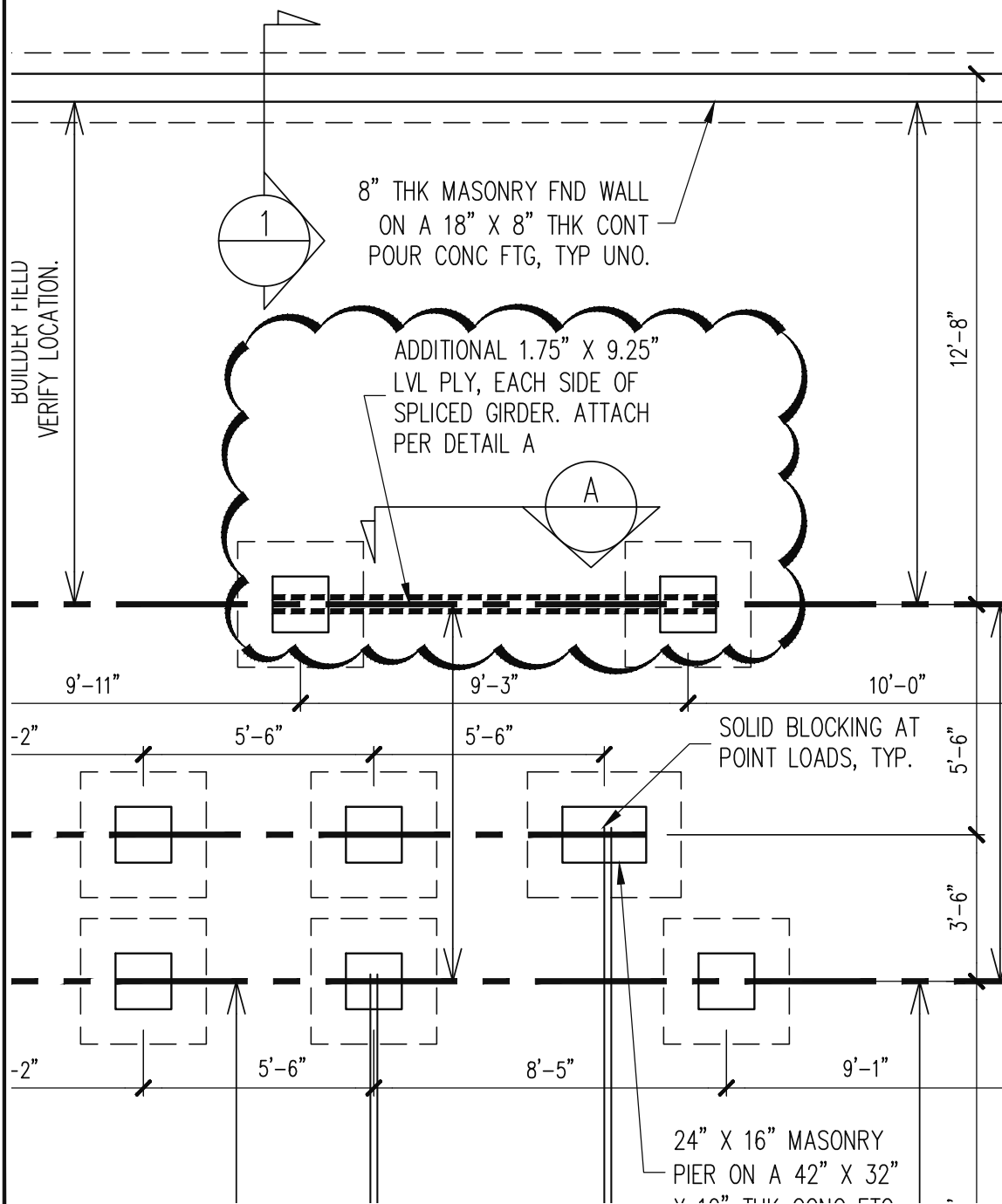


# FOUNDATION PLAN CRAWL SPACE OPTION

1/4" = 1'-0"

29'-2"



**Engineering Tech ASSOCIATES, P.A.**  
**STRUCTURAL ENGINEERS**  
 License No. C-3870  
 318 W Millbrook Rd. Unit 201  
 Raleigh, North Carolina 27609  
 Phone (919) 844-1661

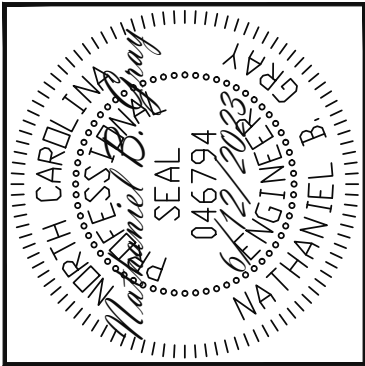
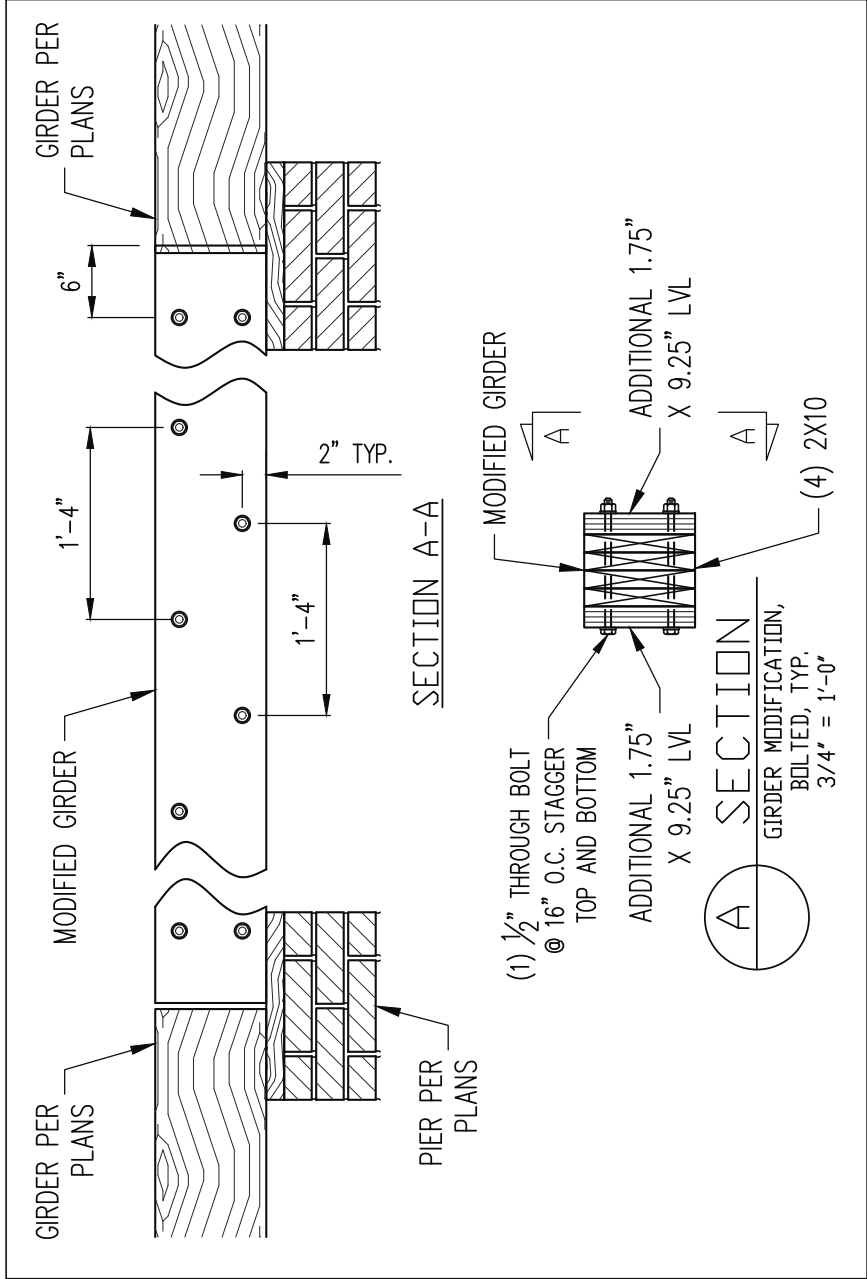
ADAMS HOMES	
SCOPE	GIRDER REPAIR FOR SPICE AT MIDSPAN
LOC	8 CAROLINA SEASON
REV #	REF PROJ #
DATE	

ENG: **NBC**  
 DATE: **6/12/2023**

PARENT  
**22-18-079**

PROJECT NO.  
**23-75-575**

SHEET NO.  
**SL1**  
 1 of 2



**Engineering**  
**Lech**  
 ASSOCIATES, P.A.  
 STRUCTURAL ENGINEERS  
 License No. C-3870  
 318 W Millbrook Rd. Unit 201  
 Raleigh, North Carolina 27609  
 Phone (919) 844-1661

ADAMS HOMES			
SCOPE	GIRDER REPAIR FOR SPICE AT MIDSPAN	REV #	REF PROJ #
LOC	8 CAROLINA SEASON	DATE	

ENG: NBC  
 DATE: 6/12/2023

PARENT  
 22-18-079

PROJECT NO.  
 23-75-575

SHEET NO.  
 SL2

2 of 2