

RE: 2519235 - A&G/Cedar/Lot710/ManoratLexingtonPlanta

Trenco
 818 Soundside Rd
 Edenton, NC 27932

Site Information:

Project Customer: H and H Project Name: 2519235
 Lot/Block: Subdivision:
 Model:
 Address:
 City: State: nc

General Truss Engineering Criteria & Design Loads (Individual Truss Design Drawings Show Special Loading Conditions):

Design Code: IRC2015/TPI2014 Design Program: MiTek 20/20 8.2
 Wind Code: ASCE 7-10 Wind Speed: 130 mph Design Method: MWFRS (Envelope)/C-C hybrid Wind ASCE 7-10
 Roof Load: 40.0 psf Floor Load: N/A psf
 Mean Roof Height (feet): 25 Exposure Category: C

No.	Seal#	Truss Name	Date
1	145072855	A04	3/5/21
2	145072856		3/5/21
3	145072857	A06	3/5/21

The truss drawing(s) referenced above have been prepared by Truss Engineering Co. under my direct supervision based on the parameters provided by Builders FirstSource-Sumter,SC.

Truss Design Engineer's Name: Sevier, Scott
 My license renewal date for the state of North Carolina is December 31, 2021.

IMPORTANT NOTE: The seal on these truss component designs is a certification that the engineer named is licensed in the jurisdiction(s) identified and that the designs comply with ANSI/TPI 1. These designs are based upon parameters shown (e.g., loads, supports, dimensions, shapes and design codes), which were given to MiTek or TRENCO. Any project specific information included is for MiTek's or TRENCO's customers file reference purpose only, and was not taken into account in the preparation of these designs. MiTek or TRENCO has not independently verified the applicability of the design parameters or the designs for any particular building. Before use, the building designer should verify applicability of design parameters and properly incorporate these designs into the overall building design per ANSI/TPI 1, Chapter 2.



March 5, 2021

Job	Truss	Truss Type	Qty	Ply	A&G/Cedar/Lot710/ManoratLexingtonPlanta	145072855
2519235	A04	Piggyback Base	1	1	Job Reference (optional)	

Builders FirstSource, Sumter, SC - 29153,

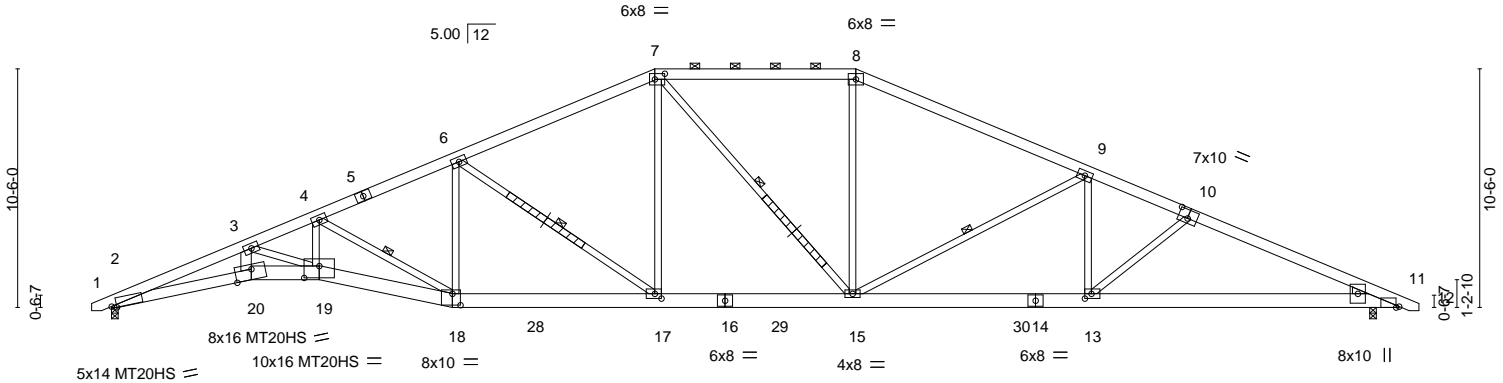
8.430 s Feb 12 2021 MiTek Industries, Inc. Fri Mar 5 09:37:19 2021 Page 1

ID:zv7Fc4jHuqrlrogucND5EIUzswFfo-68UaZq7KOLCSSN5f1NRulvCXN3ofBz_uIFAHsUze03E

0-10-8	6-1-13	9-1-11	15-0-0	23-10-14	32-9-2	42-11-12	47-4-3	56-8-0	57-6-8
0-10-8	6-1-13	2-11-14	5-10-5	8-10-14	8-10-3	10-2-10	4-4-7	9-3-13	0-10-8

REPAIR: TRUSS MEMBER(S) BROKEN.
6-17 BROKEN 4-6-0 DOWN FROM JOINT 6
7-15 BROKEN 3-8-0 UP FROM JOINT 15

Scale = 1:101.4



APPLY 2 X 4 X 4' SP NO.2 SCAB(S) TO EACH FACE OF TRUSS CENTERED ON DAMAGE AS SHOWN. ATTACH WITH (0.131" X 3") NAILS PER THE FOLLOWING NAIL SCHEDULE: 2 x 3'S - 1 ROW, 2 x 4'S - 2 ROWS, 2 x 6'S AND LARGER - 3 ROWS: SPACED @ 4" O.C. STAGGER NAIL SPACING FROM FRONT FACE AND BACK FACE FOR A NET 2" O.C SPACING IN THE TRUSS. USE 2" MEMBER END DISTANCE.

6-1-13	9-1-11	15-0-0	23-10-14	32-9-2	42-11-12	55-8-0	56-8-0
6-1-13	2-11-14	5-10-5	8-10-14	8-10-3	10-2-10	12-8-4	1-0-0

Plate Offsets (X,Y)-- [2:0-2-11,0-0-15], [7:0-5-4,0-3-0], [10:0-5-0,0-4-8], [11:0-1-10,Edge], [13:0-3-8,0-2-8], [17:0-3-8,0-2-8], [18:0-4-4,0-6-0], [19:0-8-0,0-6-4], [20:0-8-12,Edge]

LOADING (psf)	SPACING-	2-0-0	CSI.	DEFL.	in (loc)	l/defl	L/d	PLATES	GRIP
TCLL 20.0	Plate Grip DOL	1.15	TC 0.78	Vert(LL)	-0.41 18-19	>999	360	MT20	244/190
TCDL 10.0	Lumber DOL	1.15	BC 0.72	Vert(CT)	-0.82 18-19	>829	240	MT20HS	187/143
BCLL 0.0 *	Rep Stress Incr	YES	WB 0.95	Horz(CT)	0.31 11	n/a	n/a		
BCDL 10.0	Code IRC2015/TPI2014		Matrix-AS	Wind(LL)	0.46 18-19	>999	240		Weight: 442 lb FT = 20%

LUMBER-	BRACING-
TOP CHORD 2x6 SP No.2	TOP CHORD Structural wood sheathing directly applied, except
BOT CHORD 2x8 SP DSS *Except*	2-0-0 oc purlins (3-9-7 max.): 7-8.
WEBS 2x4 SP No.3 *Except*	BOT CHORD Rigid ceiling directly applied.
WEDGE Right: 2x4 SP No.3	WEBS 1 Row at midpt 4-18, 6-17, 7-15, 9-15

REACTIONS. (size) 2=0-3-8, 11=0-3-8
Max Horz 2=-231(LC 13)
Max Uplift 2=-579(LC 12), 11=-597(LC 13)
Max Grav 2=2259(LC 1), 11=2354(LC 1)

FORCES. (lb) - Max. Comp./Max. Ten. - All forces 250 (lb) or less except when shown.
TOP CHORD 2-3=-8709/3533, 3-4=-6947/2857, 4-6=-4328/1880, 6-7=-3414/1559, 7-8=-3047/1520, 8-9=-3412/1539, 9-10=-4139/1784, 10-11=-4363/1840
BOT CHORD 2-20=-3195/8105, 19-20=-3217/8193, 18-19=-2561/6694, 17-18=-1434/3952, 15-17=-936/3065, 13-15=-1381/3820, 11-13=-1515/3910
WEBS 3-20=-475/1365, 3-19=-1887/812, 4-19=-831/2293, 4-18=-3058/1260, 6-18=-88/568, 6-17=-1100/615, 7-17=-234/893, 7-15=-302/257, 8-15=-169/768, 9-15=-922/516, 9-13=0/387

- NOTES-**
- Unbalanced roof live loads have been considered for this design.
 - Wind: ASCE 7-10; Vult=130mph Vasd=103mph; TCDL=6.0psf; BCDL=6.0psf; h=25ft; Cat. II; Exp C; Enclosed; MWFRS (envelope) gable end zone and C-C Exterior(2) zone; end vertical left and right exposed; C-C for members and forces & MWFRS for reactions shown; Lumber DOL=1.60 plate grip DOL=1.60
 - Provide adequate drainage to prevent water ponding.
 - All plates are MT20 plates unless otherwise indicated.
 - All plates are 5x8 MT20 unless otherwise indicated.
 - This truss has been designed for a 10.0 psf bottom chord live load nonconcurrent with any other live loads.
 - * This truss has been designed for a live load of 20.0psf on the bottom chord in all areas where a rectangle 3-6-0 tall by 2-0-0 wide will fit between the bottom chord and any other members, with BCDL = 10.0psf.
 - Bearing at joint(s) 2 considers parallel to grain value using ANSI/TPI 1 angle to grain formula. Building designer should verify capacity of bearing surface.
 - Provide mechanical connection (by others) of truss to bearing plate capable of withstanding 100 lb uplift at joint(s) except (jt=lb) 2=579, 11=597.
 - This truss design requires that a minimum of 7/16" structural wood sheathing be applied directly to the top chord and 1/2" gypsum sheetrock be applied directly to the bottom chord.
 - Graphical purlin representation does not depict the size or the orientation of the purlin along the top and/or bottom chord.



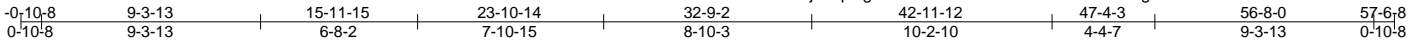
March 5, 2021

WARNING - Verify design parameters and READ NOTES ON THIS AND INCLUDED MITEK REFERENCE PAGE MII-7473 rev. 5/19/2020 BEFORE USE.
Design valid for use only with MiTek® connectors. This design is based only upon parameters shown, and is for an individual building component, not a truss system. Before use, the building designer must verify the applicability of design parameters and properly incorporate this design into the overall building design. Bracing indicated is to prevent buckling of individual truss web and/or chord members only. Additional temporary and permanent bracing is always required for stability and to prevent collapse with possible personal injury and property damage. For general guidance regarding the fabrication, storage, delivery, erection and bracing of trusses and truss systems, see **ANSI/TPI1 Quality Criteria, DSB-89 and BCSI Building Component Safety Information** available from Truss Plate Institute, 2670 Crain Highway, Suite 203 Waldorf, MD 20601

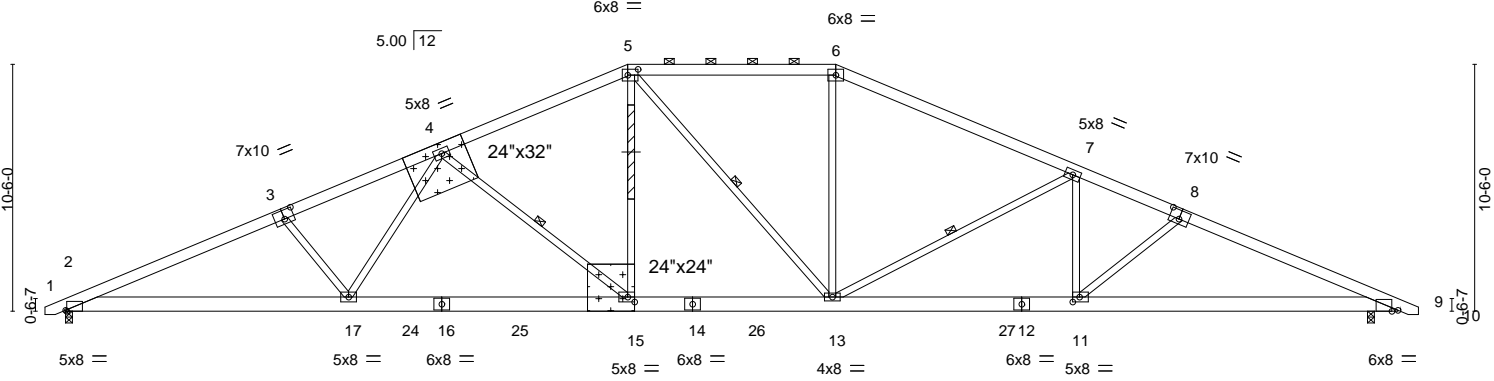
ENGINEERING BY
TRENCO
A MiTek Affiliate
818 Soundside Road
Edenton, NC 27932

Job	Truss	Truss Type	Qty	Ply	A&G/Cedar/Lot710/ManoratLexingtonPlanta	145072856
2519235	A05	PIGGYBACK BASE	1	1		

Builders FirstSource, Sumter, SC - 29153, 8.430 s Feb 12 2021 MiTek Industries, Inc. Fri Mar 5 09:37:21 2021 Page 1
 ID:zV7Fc4jHuqrlroguND5EIUzsWfo-2XcLzW9aYzS9KgE29oTMNKluFiZ?fxJAAZfOxNze03C



REPAIR: TRUSS MEMBER(5-15) BROKEN 6-2-0 UP FROM JOINT 15.
 PLATES DAMAGED AT JOINTS 4 AND 15
 Scale = 1:98.0



ATTACH 1/2" PLYWOOD OR OSB GUSSET (15/32" RATED SHEATHING 32/16 EXP 1) TO EACH FACE OF TRUSS WITH (0.131" X 2.5" MIN.) NAILS PER THE FOLLOWING NAIL SCHEDULE:
 2 X 3'S - 2 ROWS, 2 X 4'S - 3 ROWS, 2 X 6'S AND LARGER - 4 ROWS: SPACED @ 4" O.C.
 NAILS TO BE DRIVEN FROM BOTH FACES. STAGGER SPACING FROM FRONT TO BACK FACE FOR A NET 2" O.C. SPACING IN EACH COVERED TRUSS MEMBER. USE 2" MEMBER END DISTANCE.



APPLY 2 X 4 X 4' SP NO.2 SCAB(S) TO EACH FACE OF TRUSS CENTERED ON DAMAGE AS SHOWN. ATTACH WITH (0.131" X 3") NAILS PER THE FOLLOWING NAIL SCHEDULE: 2 X 3'S - 1 ROW, 2 X 4'S - 2 ROWS, 2 X 6'S AND LARGER - 3 ROWS: SPACED @ 4" O.C. STAGGER NAIL SPACING FROM FRONT FACE AND BACK FACE FOR A NET 2" O.C. SPACING IN THE TRUSS. USE 2" MEMBER END DISTANCE.

	12-0-7	23-10-14	32-9-2	42-11-12	55-8-0	56-8-0
	12-0-7	11-10-7	8-10-3	10-2-10	12-8-4	1-0-0
Plate Offsets (X,Y)--	[2:0-0-10,Edge], [3:0-5-0,0-4-8], [5:0-5-4,0-3-0], [8:0-5-0,0-4-8], [9:0-3-2,Edge], [11:0-3-8,0-2-8], [15:0-3-8,0-2-8]					

LOADING (psf)	SPACING-	2-0-0	CSI.	DEFL.	in (loc)	l/defl	L/d	PLATES	GRIP
TCLL 20.0	Plate Grip DOL	1.15	TC 0.75	Vert(LL)	-0.27 15-17	>999	360	MT20	244/190
TCDL 10.0	Lumber DOL	1.15	BC 0.41	Vert(CT)	-0.54 15-17	>999	240		
BCLL 0.0 *	Rep Stress Incr	YES	WB 0.64	Horz(CT)	0.13 9	n/a	n/a		
BCDL 10.0	Code IRC2015/TP12014		Matrix-AS	Wind(LL)	0.25 15-17	>999	240	Weight: 433 lb	FT = 20%

LUMBER-

TOP CHORD 2x6 SP No.2
 BOT CHORD 2x8 SP DSS
 WEBS 2x4 SP No.3 *Except*
 5-13: 2x4 SP No.2

BRACING-

TOP CHORD Structural wood sheathing directly applied, except
 2-0-0 oc purlins (3-9-3 max.): 5-6.
 BOT CHORD Rigid ceiling directly applied.
 WEBS 1 Row at midpt 4-15, 5-13, 7-13

REACTIONS.

(size) 2=0-3-8, 9=0-3-8
 Max Horz 2=-231(LC 13)
 Max Uplift 2=-580(LC 12), 9=-598(LC 13)
 Max Grav 2=2259(LC 1), 9=2354(LC 1)

FORCES.

(lb) - Max. Comp./Max. Ten. - All forces 250 (lb) or less except when shown.
 TOP CHORD 2-3=-4903/2050, 3-4=-4634/1988, 4-5=-3411/1559, 5-6=-3047/1522, 6-7=-3412/1540,
 7-8=-4132/1779, 8-9=-4379/1843
 BOT CHORD 2-17=-1739/4469, 15-17=-1385/3812, 13-15=-930/3091, 11-13=-1374/3814,
 9-11=-1523/3914
 WEBS 3-17=-451/396, 4-17=-236/791, 4-15=-978/596, 5-15=-244/958, 5-13=-315/245,
 6-13=-166/775, 7-13=-916/505, 7-11=0/386

NOTES-

- 1) Unbalanced roof live loads have been considered for this design.
- 2) Wind: ASCE 7-10; Vult=130mph Vasd=103mph; TC DL=6.0psf; BCDL=6.0psf; h=25ft; Cat. II; Exp C; Enclosed; MWFRS (envelope) gable end zone and C-C Exterior(2) zone; end vertical left and right exposed; C-C for members and forces & MWFRS for reactions shown; Lumber DOL=1.60 plate grip DOL=1.60
- 3) Provide adequate drainage to prevent water ponding.
- 4) This truss has been designed for a 10.0 psf bottom chord live load nonconcurrent with any other live loads.
- 5) * This truss has been designed for a live load of 20.0psf on the bottom chord in all areas where a rectangle 3-6-0 tall by 2-0-0 wide will fit between the bottom chord and any other members, with BCDL = 10.0psf.
- 6) Provide mechanical connection (by others) of truss to bearing plate capable of withstanding 100 lb uplift at joint(s) except (jt=lb) 2=580, 9=598.
- 7) This truss design requires that a minimum of 7/16" structural wood sheathing be applied directly to the top chord and 1/2" gypsum sheetrock be applied directly to the bottom chord.
- 8) Graphical purlin representation does not depict the size or the orientation of the purlin along the top and/or bottom chord.



March 5, 2021

WARNING - Verify design parameters and READ NOTES ON THIS AND INCLUDED MITEK REFERENCE PAGE MII-7473 rev. 5/19/2020 BEFORE USE.

Design valid for use only with MiTek® connectors. This design is based only upon parameters shown, and is for an individual building component, not a truss system. Before use, the building designer must verify the applicability of design parameters and properly incorporate this design into the overall building design. Bracing indicated is to prevent buckling of individual truss web and/or chord members only. Additional temporary and permanent bracing is always required for stability and to prevent collapse with possible personal injury and property damage. For general guidance regarding the fabrication, storage, delivery, erection and bracing of trusses and truss systems, see ANSIT/PIH Quality Criteria, DSB-89 and BCSI Building Component Safety Information available from Truss Plate Institute, 2670 Crain Highway, Suite 203 Waldorf, MD 20601



818 Soundside Road
 Edenton, NC 27932

Job 2519235	Truss A06	Truss Type Piggyback Base	Qty 7	Ply 1	A&G/Cedar/Lot710/ManoratLexingtonPlanta 145072857
----------------	--------------	------------------------------	----------	----------	--

Builders FirstSource, Sumter, SC - 29153,

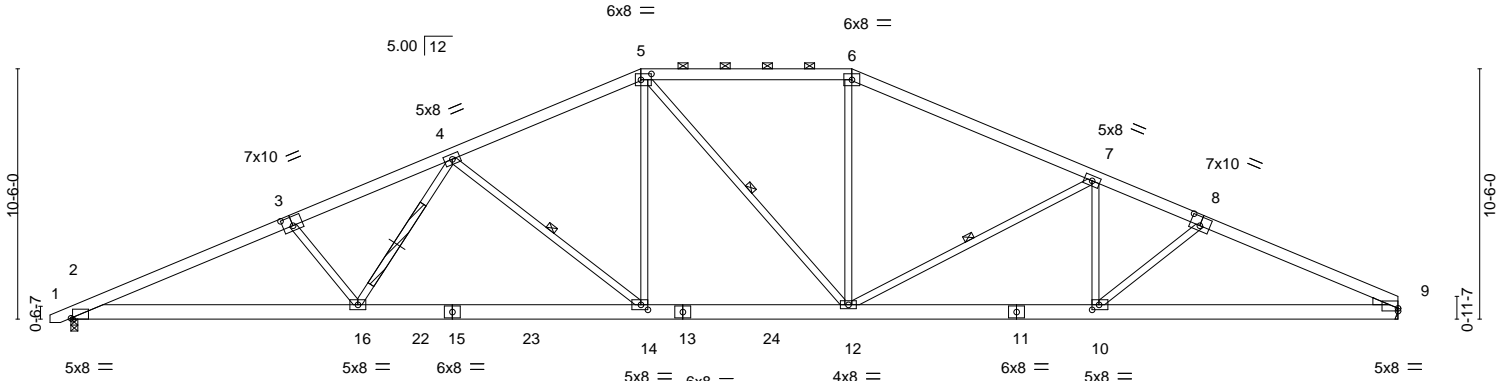
8.430 s Feb 12 2021 MiTek Industries, Inc. Fri Mar 5 09:37:22 2021 Page 1

ID:zV7Fc4jHuqlrogucND5EiUzWfo-WjAjBs9DJGa0yqpEiW_bwXq4gGw?OO1KODOyTpe03B



REPAIR: TRUSS MEMBER(S) BROKEN.
4-16 BROKEN 3-0-0 UP FROM JOINT 16

Scale: 1/8"=1'



APPLY 2 X 4 X 4' SP NO.2 SCAB(S) TO EACH FACE OF TRUSS CENTERED ON DAMAGE AS SHOWN. ATTACH WITH (0.131" X 3") NAILS PER THE FOLLOWING NAIL SCHEDULE: 2 x 3'S - 1 ROW, 2 x 4'S - 2 ROWS, 2 x 6'S AND LARGER - 3 ROWS: SPACED @ 4" O.C. STAGGER NAIL SPACING FROM FRONT FACE AND BACK FACE FOR A NET 2" O.C SPACING IN THE TRUSS. USE 2" MEMBER END DISTANCE.



12-0-7	23-10-14	32-9-2	42-11-12	55-8-0
12-0-7	11-10-7	8-10-3	10-2-10	12-8-4

Plate Offsets (X, Y)-- [2:0-0-14,Edge], [3:0-5-0,0-4-8], [5:0-5-4,0-3-0], [8:0-5-0,0-4-8], [9:0-0-0,0-1-6], [10:0-3-8,0-2-8], [14:0-3-8,0-2-8]

LOADING (psf)	SPACING-	2-0-0	CSI.	DEFL.	in (loc)	l/defl	L/d	PLATES	GRIP
TCLL 20.0	Plate Grip DOL	1.15	TC 0.64	Vert(LL)	-0.27	14-16	>999	MT20	244/190
TCDL 10.0	Lumber DOL	1.15	BC 0.36	Vert(CT)	-0.54	14-16	>999		
BCLL 0.0 *	Rep Stress Incr	YES	WB 0.67	Horz(CT)	0.13	9	n/a		
BCDL 10.0	Code IRC2015/TPI2014		Matrix-AS	Wind(LL)	0.25	14-16	>999		
								Weight: 426 lb	FT = 20%

LUMBER-	BRACING-
TOP CHORD 2x6 SP No.2	TOP CHORD Structural wood sheathing directly applied, except
BOT CHORD 2x8 SP DSS	2-0-0 oc purlins (3-9-1 max.): 5-6.
WEBS 2x4 SP No.3 *Except*	BOT CHORD Rigid ceiling directly applied.
5-12: 2x4 SP No.2	WEBS 1 Row at midpt 4-14, 5-12, 7-12

WEDGE
Right: 2x4 SP No.3

REACTIONS. (size) 2=0-3-8, 9=Mechanical
Max Horz 2=249(LC 12)
Max Uplift 2=581(LC 12), 9=546(LC 13)
Max Grav 2=2266(LC 1), 9=2226(LC 1)

FORCES. (lb) - Max. Comp./Max. Ten. - All forces 250 (lb) or less except when shown.
TOP CHORD 2-3=-4922/2061, 3-4=-4654/1999, 4-5=-3435/1569, 5-6=-3071/1533, 6-7=-3437/1552, 7-8=-4209/1814, 8-9=-4478/1886
BOT CHORD 2-16=-1787/4487, 14-16=-1432/3831, 12-14=-977/3113, 10-12=-1442/3884, 9-10=-1604/4014
WEBS 3-16=-451/396, 4-16=-235/790, 4-14=-978/595, 5-14=-246/960, 5-12=-308/252, 6-12=-169/785, 7-12=-965/528, 7-10=0/427

NOTES-

- 1) Unbalanced roof live loads have been considered for this design.
- 2) Wind: ASCE 7-10; Vult=130mph Vasd=103mph; TC DL=6.0psf; BCDL=6.0psf; h=25ft; Cat. II; Exp C; Enclosed; MWFRS (envelope) gable end zone and C-C Exterior(2) zone; end vertical left exposed;C-C for members and forces & MWFRS for reactions shown; Lumber DOL=1.60 plate grip DOL=1.60
- 3) Provide adequate drainage to prevent water ponding.
- 4) This truss has been designed for a 10.0 psf bottom chord live load nonconcurrent with any other live loads.
- 5) * This truss has been designed for a live load of 20.0psf on the bottom chord in all areas where a rectangle 3-6-0 tall by 2-0-0 wide will fit between the bottom chord and any other members, with BCDL = 10.0psf.
- 6) Refer to girder(s) for truss to truss connections.
- 7) Provide mechanical connection (by others) of truss to bearing plate capable of withstanding 100 lb uplift at joint(s) except (jt=lb) 2=581, 9=546.
- 8) This truss design requires that a minimum of 7/16" structural wood sheathing be applied directly to the top chord and 1/2" gypsum sheetrock be applied directly to the bottom chord.
- 9) Graphical purlin representation does not depict the size or the orientation of the purlin along the top and/or bottom chord.



March 5, 2021

<p>WARNING - Verify design parameters and READ NOTES ON THIS AND INCLUDED MITEK REFERENCE PAGE MII-7473 rev. 5/19/2020 BEFORE USE. Design valid for use only with MiTek® connectors. This design is based only upon parameters shown, and is for an individual building component, not a truss system. Before use, the building designer must verify the applicability of design parameters and properly incorporate this design into the overall building design. Bracing indicated is to prevent buckling of individual truss web and/or chord members only. Additional temporary and permanent bracing is always required for stability and to prevent collapse with possible personal injury and property damage. For general guidance regarding the fabrication, storage, delivery, erection and bracing of trusses and truss systems, see ANSI/TPI Quality Criteria, DSB-89 and BCSI Building Component Safety Information available from Truss Plate Institute, 2670 Crain Highway, Suite 203 Waldorf, MD 20601</p>	<p>ENGINEERING BY TRENCO A MiTek Affiliate</p> <p>818 Soundside Road Edenton, NC 27932</p>
--	---

Symbols

PLATE LOCATION AND ORIENTATION



Center plate on joint unless x, y offsets are indicated. Dimensions are in ft-in-sixteenths. Apply plates to both sides of truss and fully embed teeth.



For 4 x 2 orientation, locate plates 0- 1/16" from outside edge of truss.



This symbol indicates the required direction of slots in connector plates.

* Plate location details available in **MITek 20/20 software** or upon request.

PLATE SIZE

4 X 4

The first dimension is the plate width measured perpendicular to slots. Second dimension is the length parallel to slots.

LATERAL BRACING LOCATION



Indicated by symbol shown and/or by text in the bracing section of the output. Use T or I bracing if indicated.

BEARING



Indicates location where bearings (supports) occur. Icons vary but reaction section indicates joint number where bearings occur. Min size shown is for crushing only.

Industry Standards:

ANSI/TPI 1: National Design Specification for Metal Plate Connected Wood Truss Construction.
DSB-89: Design Standard for Bracing, Building Component Safety Information, Guide to Good Practice for Handling, Installing & Bracing of Metal Plate Connected Wood Trusses.

Numbering System

6-4-8
dimensions shown in ft-in-sixteenths
(Drawings not to scale)



JOINTS ARE GENERALLY NUMBERED/LETTERED CLOCKWISE AROUND THE TRUSS STARTING AT THE JOINT FARTHEST TO THE LEFT.

CHORDS AND WEBS ARE IDENTIFIED BY END JOINT NUMBERS/LETTERS.

PRODUCT CODE APPROVALS

ICC-ES Reports:

ESR-1311, ESR-1352, ESR1988
ER-3907, ESR-2362, ESR-1397, ESR-3282

Trusses are designed for wind loads in the plane of the truss unless otherwise shown.

Lumber design values are in accordance with ANSI/TPI 1 section 6.3 These truss designs rely on lumber values established by others.

© 2012 MITteK® All Rights Reserved



MITek Engineering Reference Sheet: Mill-7473 rev. 5/19/2020



General Safety Notes

Failure to Follow Could Cause Property Damage or Personal Injury

1. Additional stability bracing for truss system, e.g. diagonal or X-bracing, is always required. See BCSI.
2. Truss bracing must be designed by an engineer. For wide truss spacing, individual lateral braces themselves may require bracing, or alternative Tor I bracing should be considered.
3. Never exceed the design loading shown and never stack materials on inadequately braced trusses.
4. Provide copies of this truss design to the building designer, erection supervisor, property owner and all other interested parties.
5. Cut members to bear tightly against each other.
6. Place plates on each face of truss at each joint and embed fully. Knots and wane at joint locations are regulated by ANSI/TPI 1.
7. Design assumes trusses will be suitably protected from the environment in accord with ANSI/TPI 1.
8. Unless otherwise noted, moisture content of lumber shall not exceed 19% at time of fabrication.
9. Unless expressly noted, this design is not applicable for use with fire retardant, preservative treated, or green lumber.
10. Camber is a non-structural consideration and is the responsibility of truss fabricator. General practice is to camber for dead load deflection.
11. Plate type, size, orientation and location dimensions indicated are minimum plating requirements.
12. Lumber used shall be of the species and size, and in all respects, equal to or better than that specified.
13. Top chords must be sheathed or purlins provided at spacing indicated on design.
14. Bottom chords require lateral bracing at 10 ft. spacing, or less, if no ceiling is installed, unless otherwise noted.
15. Connections not shown are the responsibility of others.
16. Do not cut or alter truss member or plate without prior approval of an engineer.
17. Install and load vertically unless indicated otherwise.
18. Use of green or treated lumber may pose unacceptable environmental, health or performance risks. Consult with project engineer before use.
19. Review all portions of this design (front, back, words and pictures) before use. Rewriting pictures alone is not sufficient.
20. Design assumes manufacture in accordance with ANSI/TPI 1 Quality Criteria.
21. The design does not take into account any dynamic or other loads other than those expressly stated.