

RE: 2434740 - H&H/Kenzie/

Trenco
 818 Soundside Rd
 Edenton, NC 27932

Site Information:

Project Customer: H AND H Project Name: 2434740 MASTER

Lot/Block: Subdivision:

Model:

Address:

City: State: NC

General Truss Engineering Criteria & Design Loads (Individual Truss Design Drawings Show Special Loading Conditions):

Design Code: IRC2015/TPI2014

Design Program: MiTek 20/20 8.2

Wind Code: ASCE 7-10 Wind Speed: 150 mph

Design Method: MWFRS (Envelope)/C-C hybrid Wind ASCE 7-10

Roof Load: 40.0 psf

Floor Load: N/A psf

Mean Roof Height (feet): 25

Exposure Category: C

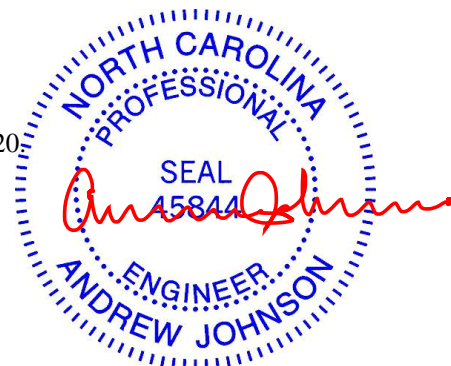
No.	Seal#	Truss Name	Date
1	I42553546	A01	8/24/20
2	I42553547	A02	8/24/20
3	I42553548	A03	8/24/20
4	I42553549	A04	8/24/20
5			8/24/20
6	I42553551	B01	8/24/20
7	I42553552	B02	8/24/20
8	I42553553	B03	8/24/20
9	I42553554		8/24/20
10	I42553555	B05	8/24/20
11	I42553556	B06	8/24/20
12	I42553557	C01	8/24/20
13	I42553558	C02	8/24/20
14	I42553559	CP01	8/24/20
	I42553560	CP02	8/24/20
16	I42553561	D01	8/24/20
17	I42553562		8/24/20
18	I42553563	E02	8/24/20
19	I42553564	G01	8/24/20
20	I42553565	G02	8/24/20
21	I42553566	H01	8/24/20
22	I42553567	H02	8/24/20
23	I42553568	H03	8/24/20
	I42553569	H04	8/24/20
25	I42553570	J01	8/24/20
26	I42553571	J02	8/24/20
27	I42553572	J03	8/24/20
28	I42553573	V01	8/24/20

The truss drawing(s) referenced above have been prepared by Truss Engineering Co. under my direct supervision based on the parameters provided by Builders FirstSource-Sumter,SC.

Truss Design Engineer's Name: Johnson, Andrew

My license renewal date for the state of North Carolina is December 31, 2020.

IMPORTANT NOTE: The seal on these truss component designs is a certification that the engineer named is licensed in the jurisdiction(s) identified and that the designs comply with ANSI/TPI 1. These designs are based upon parameters shown (e.g., loads, supports, dimensions, shapes and design codes), which were given to MiTek or TRENCO. Any project specific information included is for MiTek's or TRENCO's customers file reference purpose only, and was not taken into account in the preparation of these designs. MiTek or TRENCO has not independently verified the applicability of the design parameters or the designs for any particular building. Before use, the building designer should verify applicability of design parameters and properly incorporate these designs into the overall building design per ANSI/TPI 1, Chapter 2.



August 24, 2020

Job	Truss	Truss Type	Qty	Ply	H&H/Kenzie/	142553546
2434740	A01	Common Supported Gable	6	1		

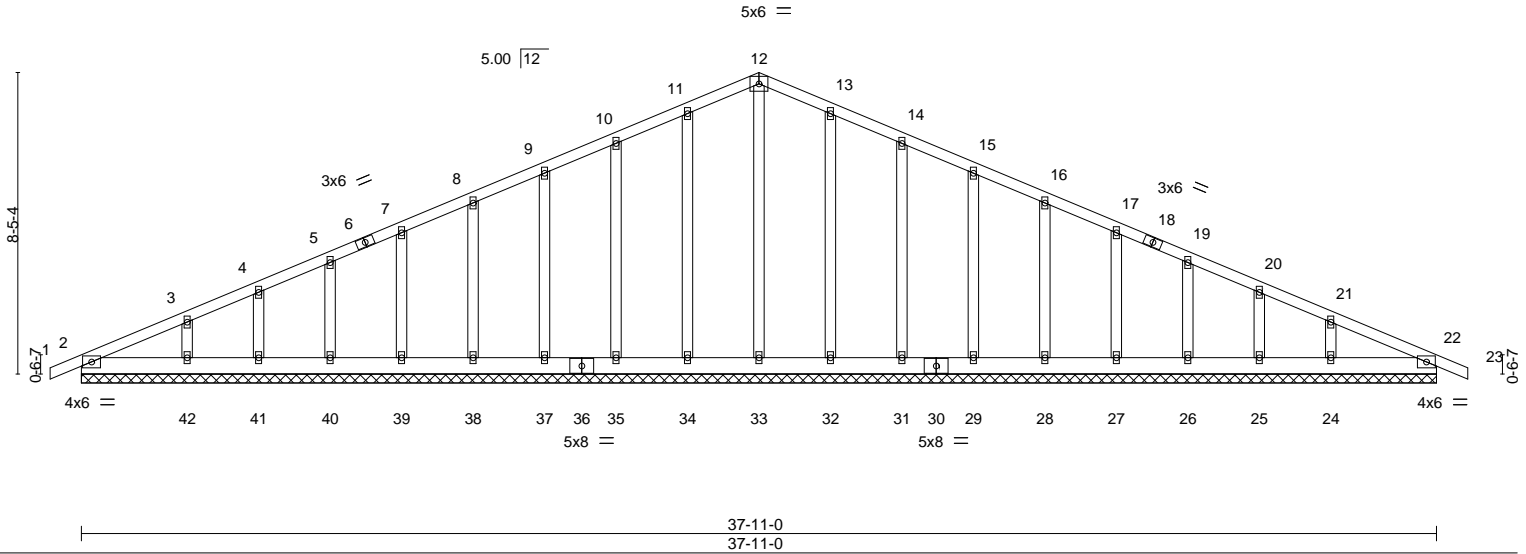
Builders FirstSource, Sumter, SC - 29153,

8.240 s Mar 9 2020 MiTek Industries, Inc. Mon Aug 24 13:44:58 2020 Page 1

ID:2zFdWTuXpJBB?1X9xOWCpYycTNe-Mx0_d89EZouEMj?Cf4g2_XE6P7mFWwqUjxbG8ykd?J

-0-10-8	18-11-8	37-11-0	38-9-8
0-10-8	18-11-8	18-11-8	0-10-8

Scale: 3/16"=1'



LOADING (psf)	SPACING-	2-0-0	CSI.	DEFL.	in (loc)	l/defl	L/d	PLATES	GRIP
TCLL 20.0	Plate Grip DOL	1.15	TC 0.10	Vert(LL)	0.00	22	n/r	MT20	244/190
TCDL 10.0	Lumber DOL	1.15	BC 0.05	Vert(CT)	0.00	22	n/r		
BCLL 0.0 *	Rep Stress Incr	YES	WB 0.21	Horz(CT)	0.01	22	n/a		
BCDL 10.0	Code IRC2015/TPI2014		Matrix-S						
								Weight: 259 lb	FT = 20%

LUMBER-
 TOP CHORD 2x4 SP No.2
 BOT CHORD 2x6 SP No.2
 OTHERS 2x4 SP No.3

BRACING-
 TOP CHORD Structural wood sheathing directly applied or 6-0-0 oc purlins.
 BOT CHORD Rigid ceiling directly applied or 10-0-0 oc bracing.

REACTIONS. All bearings 37-11-0.
 (lb) - Max Horz 2=-248(LC 13)
 Max Uplift All uplift 100 lb or less at joint(s) 2, 41, 25, 22 except 34=-115(LC 12), 35=-118(LC 12), 37=-114(LC 12), 38=-115(LC 12), 39=-114(LC 12), 40=-119(LC 12), 42=-180(LC 12), 32=-112(LC 13), 31=-119(LC 13), 29=-114(LC 13), 28=-115(LC 13), 27=-114(LC 13), 26=-119(LC 13), 24=-177(LC 13)
 Max Grav All reactions 250 lb or less at joint(s) 2, 33, 34, 35, 37, 38, 39, 40, 41, 42, 32, 31, 29, 28, 27, 26, 25, 24, 22

FORCES. (lb) - Max. Comp./Max. Ten. - All forces 250 (lb) or less except when shown.
 TOP CHORD 2-3=-302/93, 9-10=-101/265, 10-11=-126/336, 11-12=-150/403, 12-13=-150/403, 13-14=-126/336, 14-15=-101/265
 BOT CHORD 2-42=-76/252, 41-42=-76/252, 40-41=-76/252, 39-40=-76/252, 38-39=-76/252, 37-38=-76/252, 35-37=-76/252, 34-35=-76/252, 33-34=-76/252, 32-33=-76/252, 31-32=-76/252, 29-31=-76/252, 28-29=-76/252, 27-28=-76/252, 26-27=-76/252, 25-26=-76/252, 24-25=-76/252, 22-24=-76/252

- NOTES-**
- 1) Unbalanced roof live loads have been considered for this design.
 - 2) Wind: ASCE 7-10; Vult=150mph (3-second gust) Vasd=119mph; TCCL=6.0psf; BCDL=6.0psf; h=25ft; Cat. II; Exp C; Enclosed; MWFRS (envelope) gable end zone and C-C Exterior(2) zone; end vertical left and right exposed; C-C for members and forces & MWFRS for reactions shown; Lumber DOL=1.60 plate grip DOL=1.60
 - 3) Truss designed for wind loads in the plane of the truss only. For studs exposed to wind (normal to the face), see Standard Industry Gable End Details as applicable, or consult qualified building designer as per ANSI/TPI 1.
 - 4) All plates are 2x4 MT20 unless otherwise indicated.
 - 5) Gable requires continuous bottom chord bearing.
 - 6) Gable studs spaced at 2-0-0 oc.
 - 7) This truss has been designed for a 10.0 psf bottom chord live load nonconcurrent with any other live loads.
 - 8) * This truss has been designed for a live load of 20.0psf on the bottom chord in all areas where a rectangle 3-6-0 tall by 2-0-0 wide will fit between the bottom chord and any other members.
 - 9) Provide mechanical connection (by others) of truss to bearing plate capable of withstanding 100 lb uplift at joint(s) 2, 41, 25, 22 except (jt=lb) 34=115, 35=118, 37=114, 38=115, 39=114, 40=119, 42=180, 32=112, 31=119, 29=114, 28=115, 27=114, 26=119, 24=177.



August 24, 2020

WARNING - Verify design parameters and READ NOTES ON THIS AND INCLUDED MITEK REFERENCE PAGE MII-7473 rev. 5/19/2020 BEFORE USE.

Design valid for use only with MiTek® connectors. This design is based only upon parameters shown, and is for an individual building component, not a truss system. Before use, the building designer must verify the applicability of design parameters and properly incorporate this design into the overall building design. Bracing indicated is to prevent buckling of individual truss web and/or chord members only. Additional temporary and permanent bracing is always required for stability and to prevent collapse with possible personal injury and property damage. For general guidance regarding the fabrication, storage, delivery, erection and bracing of trusses and truss systems, see **ANSI/TPI1 Quality Criteria, DSB-89 and BCSI Building Component Safety Information** available from Truss Plate Institute, 2670 Crain Highway, Suite 203 Waldorf, MD 20601



818 Soundside Road
 Edenton, NC 27932

Job	Truss	Truss Type	Qty	Ply	H&H/Kenzie/	142553547
2434740	A02	COMMON	35	1		

Builders FirstSource, Sumter, SC - 29153,

8.240 s Mar 9 2020 MiTek Industries, Inc. Mon Aug 24 13:45:07 2020 Page 1

ID:2zFdWTuXpJBB?1X9xOWCpYycTNe-bg3OWDgtSZ1yx5BxgTK9rQ6YAmb77xpnrGZ56ykd?A

-0-10-8	9-9-0	18-11-8	28-2-0	37-11-0	38-9-8
0-10-8	9-9-0	9-2-8	9-2-8	9-9-0	0-10-8

Scale: 3/16"=1'

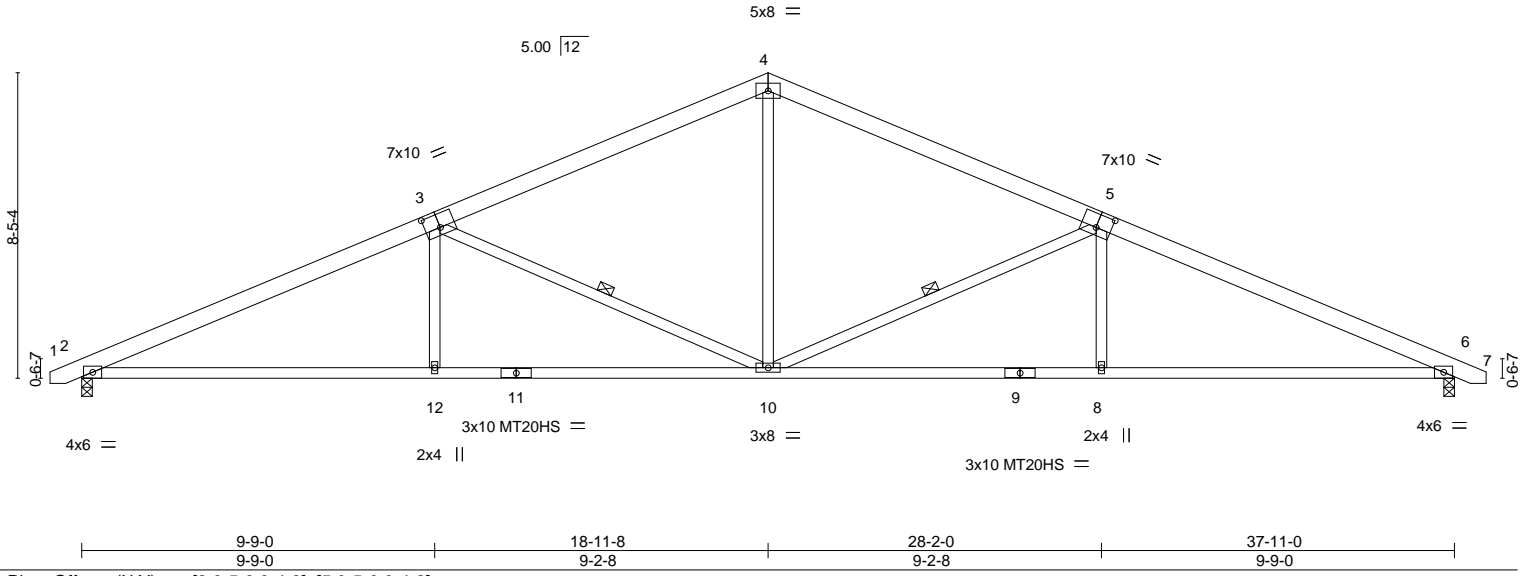


Plate Offsets (X,Y)--	[3:0-5-0,0-4-8], [5:0-5-0,0-4-8]
-----------------------	----------------------------------

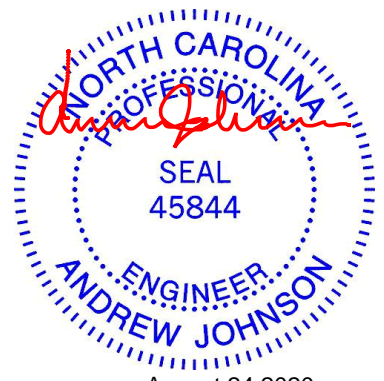
LOADING (psf)	SPACING-	CSI.	DEFL.	PLATES	GRIP
TCLL 20.0	2-0-0	TC 0.55	in (loc) l/defl L/d	MT20	244/190
TCDL 10.0	Plate Grip DOL 1.15	BC 0.96	Vert(LL) -0.17 10-12 >999 360	MT20HS	187/143
BCLL 0.0 *	Lumber DOL 1.15	WB 0.73	Vert(CT) -0.42 10-12 >999 240		
BCDL 10.0	Rep Stress Incr YES	Matrix-AS	Horz(CT) 0.16 6 n/a n/a		
	Code IRC2015/TPI2014		Wind(LL) 0.24 12-15 >999 240	Weight: 209 lb	FT = 20%

LUMBER-	BRACING-
TOP CHORD 2x6 SP No.2	TOP CHORD Structural wood sheathing directly applied.
BOT CHORD 2x4 SP No.2	BOT CHORD Rigid ceiling directly applied.
WEBS 2x4 SP No.3	WEBS 1 Row at midpt 5-10, 3-10

REACTIONS. (size) 2=0-3-8, 6=0-3-8
 Max Horz 2=245(LC 12)
 Max Uplift 2=-725(LC 12), 6=-725(LC 13)
 Max Grav 2=1556(LC 1), 6=1556(LC 1)

FORCES. (lb) - Max. Comp./Max. Ten. - All forces 250 (lb) or less except when shown.
 TOP CHORD 2-3=-3058/2009, 3-4=-2107/1519, 4-5=-2107/1519, 5-6=-3058/2009
 BOT CHORD 2-12=-1662/2737, 10-12=-1664/2734, 8-10=-1666/2734, 6-8=-1664/2737
 WEBS 4-10=-601/1011, 5-10=-1020/848, 5-8=0/372, 3-10=-1020/848, 3-12=0/372

- NOTES-**
- Unbalanced roof live loads have been considered for this design.
 - Wind: ASCE 7-10; Vult=150mph (3-second gust) Vasd=119mph; TC DL=6.0psf; BCDL=6.0psf; h=25ft; Cat. II; Exp C; Enclosed; MWFRS (envelope) gable end zone and C-C Exterior(2) zone; end vertical left and right exposed; C-C for members and forces & MWFRS for reactions shown; Lumber DOL=1.60 plate grip DOL=1.60
 - All plates are MT20 plates unless otherwise indicated.
 - This truss has been designed for a 10.0 psf bottom chord live load nonconcurrent with any other live loads.
 - * This truss has been designed for a live load of 20.0psf on the bottom chord in all areas where a rectangle 3-6-0 tall by 2-0-0 wide will fit between the bottom chord and any other members.
 - Provide mechanical connection (by others) of truss to bearing plate capable of withstanding 100 lb uplift at joint(s) except (jt=lb) 2=725, 6=725.
 - This truss design requires that a minimum of 7/16" structural wood sheathing be applied directly to the top chord and 1/2" gypsum sheetrock be applied directly to the bottom chord.



Job 2434740	Truss A03	Truss Type Common Structural Gable	Qty 6	Ply 1	H&H/Kenzie/ Job Reference (optional)	142553548
----------------	--------------	---------------------------------------	----------	----------	---	-----------

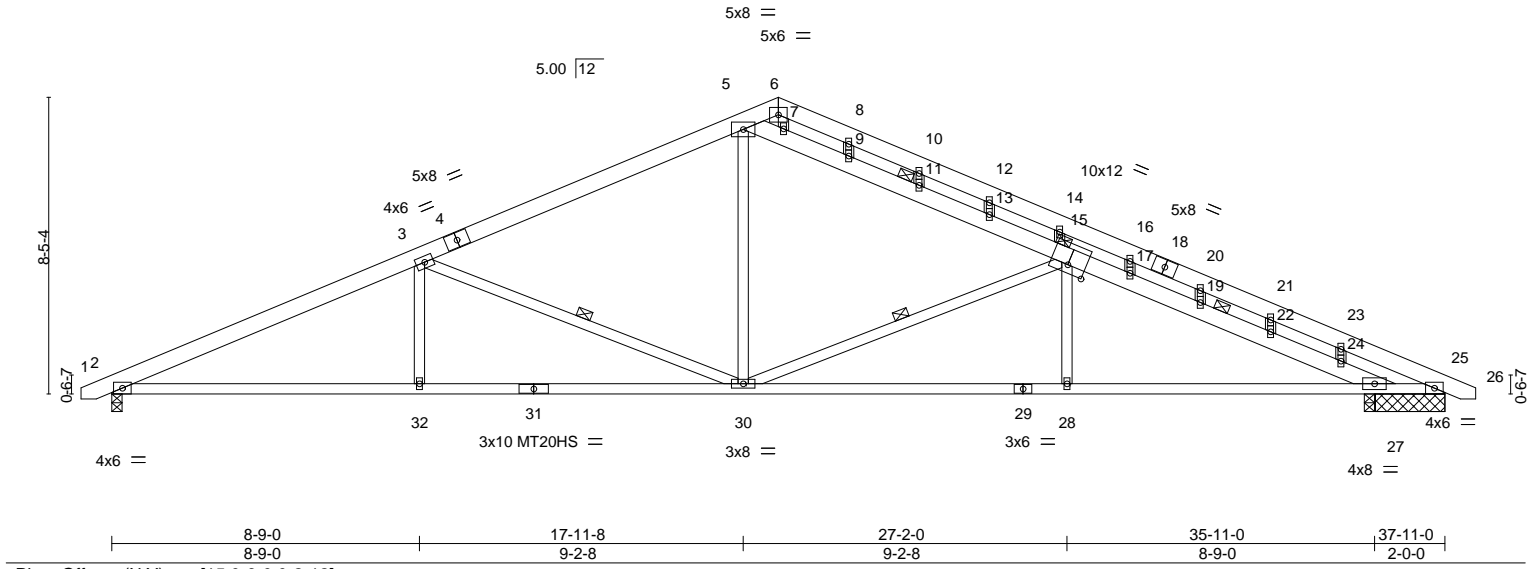
Builders FirstSource, Sumter, SC - 29153,

8.240 s Mar 9 2020 MiTek Industries, Inc. Mon Aug 24 13:45:16 2020 Page 1

ID:2zFdWTuXpJBB?1X9xOWCpYycTNe-qP5nPINXKK9gWUNgis?Gjk_eOguk?k8slyYv5ykd?1

0-10-8	8-9-0	17-11-8	18-11-8	27-2-0	37-11-0	38-9-8
0-10-8	8-9-0	9-2-8	1-0-0	8-2-8	10-9-0	0-10-8

Scale = 1:65.5



LOADING (psf)	SPACING-	2-0-0	CSI.	DEFL.	in (loc)	l/defl	L/d	PLATES	GRIP
TCLL 20.0	Plate Grip DOL	1.15	TC 0.95	Vert(LL)	-0.17	30-32	>999	MT20	244/190
TCDL 10.0	Lumber DOL	1.15	BC 0.98	Vert(CT)	-0.41	30-32	>999	MT20HS	187/143
BCLL 0.0 *	Rep Stress Incr	YES	WB 0.50	Horz(CT)	0.15	25	n/a		
BCDL 10.0	Code IRC2015/TPI2014		Matrix-AS	Wind(LL)	0.21	30-32	>999		
								Weight: 259 lb	FT = 20%

LUMBER-	BRACING-
TOP CHORD 2x6 SP No.2	TOP CHORD Structural wood sheathing directly applied. Except:
BOT CHORD 2x4 SP No.2	3 Rows at 1/4 pts 5-41
WEBS 2x4 SP No.3	BOT CHORD Rigid ceiling directly applied.
OTHERS 2x4 SP No.3	WEBS 1 Row at midpt 3-30, 15-30

REACTIONS. All bearings 1-11-12 except (jt=length) 2=0-3-8.
 (lb) - Max Horz 2=245(LC 12)
 Max Uplift All uplift 100 lb or less at joint(s) except 2=694(LC 12), 27=830(LC 13)
 Max Grav All reactions 250 lb or less at joint(s) 25, 25 except 2=1479(LC 1), 27=1475(LC 1), 27=1475(LC 1), 27=1475(LC 1)

FORCES. (lb) - Max. Comp./Max. Ten. - All forces 250 (lb) or less except when shown.
 TOP CHORD 2-3=-2936/1907, 3-5=-2014/1412, 5-6=-629/654, 6-8=-669/656, 8-10=-681/595, 10-12=-706/563, 12-14=-735/519, 14-16=-637/324, 16-20=-655/276, 20-21=-672/235, 21-23=-727/219, 23-25=-669/68, 5-7=-1332/970, 7-9=-1168/789, 9-11=-1208/841, 11-13=-1226/863, 13-15=-1250/898, 15-17=-1971/1473, 17-19=-1995/1510, 19-22=-2024/1542, 22-24=-2019/1550, 24-27=-2132/1692
 BOT CHORD 2-32=-1587/2633, 30-32=-1587/2633, 28-30=-1401/2437, 27-28=-1398/2441, 27-36=0/593
 WEBS 6-7=-341/311, 14-15=-305/369, 23-24=-292/371, 5-30=-439/863, 3-32=0/349, 3-30=-968/817, 15-30=-803/615, 15-28=0/346

- NOTES-**
- 1) Unbalanced roof live loads have been considered for this design.
 - 2) Wind: ASCE 7-10; Vult=150mph (3-second gust) Vasd=119mph; TCDL=6.0psf; BCDL=6.0psf; h=25ft; Cat. II; Exp C; Enclosed; MWFRS (envelope) gable end zone and C-C Exterior(2) zone; end vertical left and right exposed; C-C for members and forces & MWFRS for reactions shown; Lumber DOL=1.60 plate grip DOL=1.60
 - 3) Truss designed for wind loads in the plane of the truss only. For studs exposed to wind (normal to the face), see Standard Industry Gable End Details as applicable, or consult qualified building designer as per ANSI/TPI 1.
 - 4) All plates are MT20 plates unless otherwise indicated.
 - 5) All plates are 2x4 MT20 unless otherwise indicated.
 - 6) Gable studs spaced at 2-0-0 oc.
 - 7) This truss has been designed for a 10.0 psf bottom chord live load nonconcurrent with any other live loads.
 - 8) * This truss has been designed for a live load of 20.0psf on the bottom chord in all areas where a rectangle 3-6-0 tall by 2-0-0 wide will fit between the bottom chord and any other members.
 - 9) Provide mechanical connection (by others) of truss to bearing plate capable of withstanding 694 lb uplift at joint 2, 830 lb uplift at joint 27 and 830 lb uplift at joint 27.
 - 10) This truss design requires that a minimum of 7/16" structural wood sheathing be applied directly to the top chord and 1/2" gypsum sheetrock be applied directly to the bottom chord.
 - 11) Graphical purlin representation does not depict the size or the orientation of the purlin along the top and/or bottom chord.



Job 2434740	Truss A04	Truss Type COMMON	Qty 19	Ply 1	H&H/Kenzie/ Job Reference (optional)	142553549
----------------	--------------	----------------------	-----------	----------	---	-----------

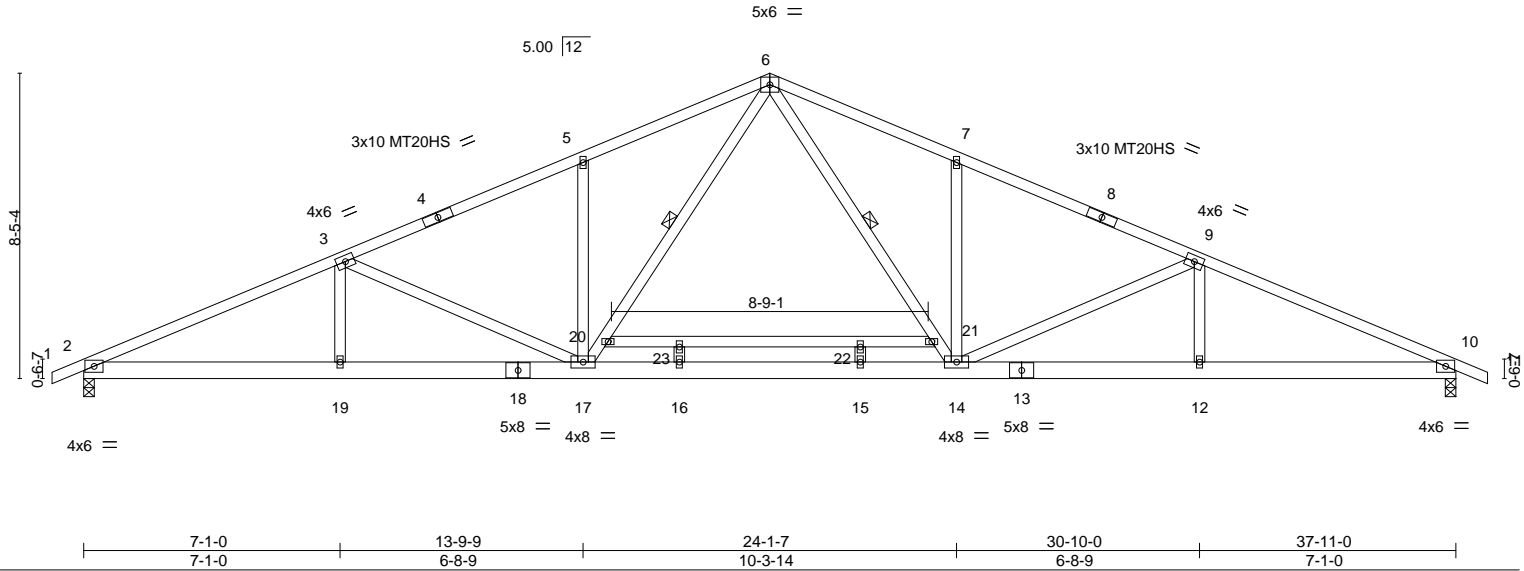
Builders FirstSource, Sumter, SC - 29153,

8.240 s Mar 9 2020 MiTek Industries, Inc. Mon Aug 24 13:45:18 2020 Page 1

ID:2zFdWtUxPjBB?1X9xOWCpYycTNe-mnDYq_OnsxPOloX2pH1kol3PDBR2CiYRJ2Re_zykd??

-0-10-8	7-1-0	13-9-9	18-11-8	24-1-7	30-10-0	37-11-0	38-9-8
0-10-8	7-1-0	6-8-9	5-1-15	5-1-15	6-8-9	7-1-0	0-10-8

Scale: 3/16"=1'



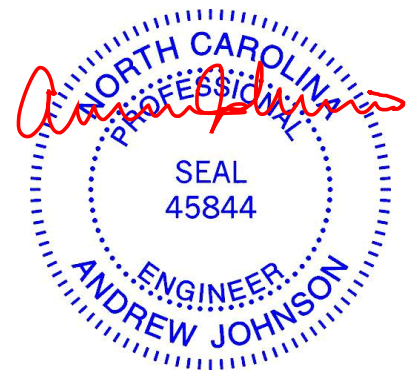
LOADING (psf)	SPACING-	2-0-0	CSI.	DEFL.	in (loc)	l/defl	L/d	PLATES	GRIP
TCLL 20.0	Plate Grip DOL	1.15	TC 0.62	Vert(LL)	-0.18	16	>999	MT20	244/190
TCDL 10.0	Lumber DOL	1.15	BC 0.68	Vert(CT)	-0.50	15-16	>902	MT20HS	187/143
BCLL 0.0 *	Rep Stress Incr	YES	WB 0.61	Horz(CT)	0.10	10	n/a		
BCDL 10.0	Code IRC2015/TPI2014		Matrix-AS	Wind(LL)	0.26	17	>999		
								Weight: 241 lb	FT = 20%

LUMBER-	BRACING-
TOP CHORD 2x4 SP No.2	TOP CHORD Structural wood sheathing directly applied.
BOT CHORD 2x6 SP No.2	BOT CHORD Rigid ceiling directly applied.
WEBS 2x4 SP No.3 *Except*	WEBS 1 Row at midpt 6-14, 6-17
20-21: 2x4 SP No.2	

REACTIONS. (size) 2=0-3-8, 10=0-3-8
 Max Horz 2=248(LC 12)
 Max Uplift 2=-635(LC 12), 10=-635(LC 13)
 Max Grav 2=1669(LC 1), 10=1669(LC 1)

FORCES. (lb) - Max. Comp./Max. Ten. - All forces 250 (lb) or less except when shown.
 TOP CHORD 2-3=-3402/1863, 3-5=-2850/1501, 5-6=-2837/1710, 6-7=-2837/1710, 7-9=-2850/1501, 9-10=-3402/1863
 BOT CHORD 2-19=-1555/3071, 17-19=-1555/3071, 16-17=-663/1951, 15-16=-663/1951, 14-15=-663/1951, 12-14=-1562/3071, 10-12=-1562/3071
 WEBS 6-21=-602/1113, 14-21=-631/1098, 7-14=-376/480, 9-14=-588/606, 17-20=-631/1098, 6-20=-602/1113, 5-17=-376/480, 3-17=-588/607

- NOTES-**
- Unbalanced roof live loads have been considered for this design.
 - Wind: ASCE 7-10; Vult=150mph (3-second gust) Vasd=119mph; TC DL=6.0psf; BCDL=6.0psf; h=25ft; Cat. II; Exp C; Enclosed; MWFRS (envelope) gable end zone and C-C Exterior(2) zone; end vertical left and right exposed; C-C for members and forces & MWFRS for reactions shown; Lumber DOL=1.60 plate grip DOL=1.60
 - 200.0lb AC unit load placed on the bottom chord, 18-11-8 from left end, supported at two points, 5-0-0 apart.
 - All plates are MT20 plates unless otherwise indicated.
 - All plates are 2x4 MT20 unless otherwise indicated.
 - This truss has been designed for a 10.0 psf bottom chord live load nonconcurrent with any other live loads.
 - * This truss has been designed for a live load of 20.0psf on the bottom chord in all areas where a rectangle 3-6-0 tall by 2-0-0 wide will fit between the bottom chord and any other members.
 - Provide mechanical connection (by others) of truss to bearing plate capable of withstanding 635 lb uplift at joint 2 and 635 lb uplift at joint 10.
 - This truss design requires that a minimum of 7/16" structural wood sheathing be applied directly to the top chord and 1/2" gypsum sheetrock be applied directly to the bottom chord.



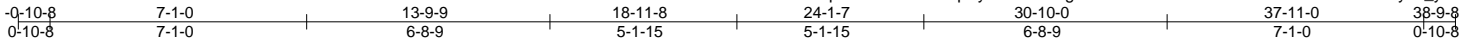
August 24, 2020

Job 2434740	Truss A05	Truss Type COMMON	Qty 12	Ply 1	H&H/Kenzie/ Job Reference (optional)	142553550
----------------	--------------	----------------------	-----------	----------	---	-----------

Builders FirstSource, Sumter, SC - 29153,

8.240 s Mar 9 2020 MiTek Industries, Inc. Mon Aug 24 13:45:21 2020 Page 1

ID:2zFdWTuXpJBB?1X9xOWCpYycTNe-BMvgS?Qf9sozcfFdVPbRQNhXPPNCPBut?0fIZlykd_y



Scale: 3/16"=1'

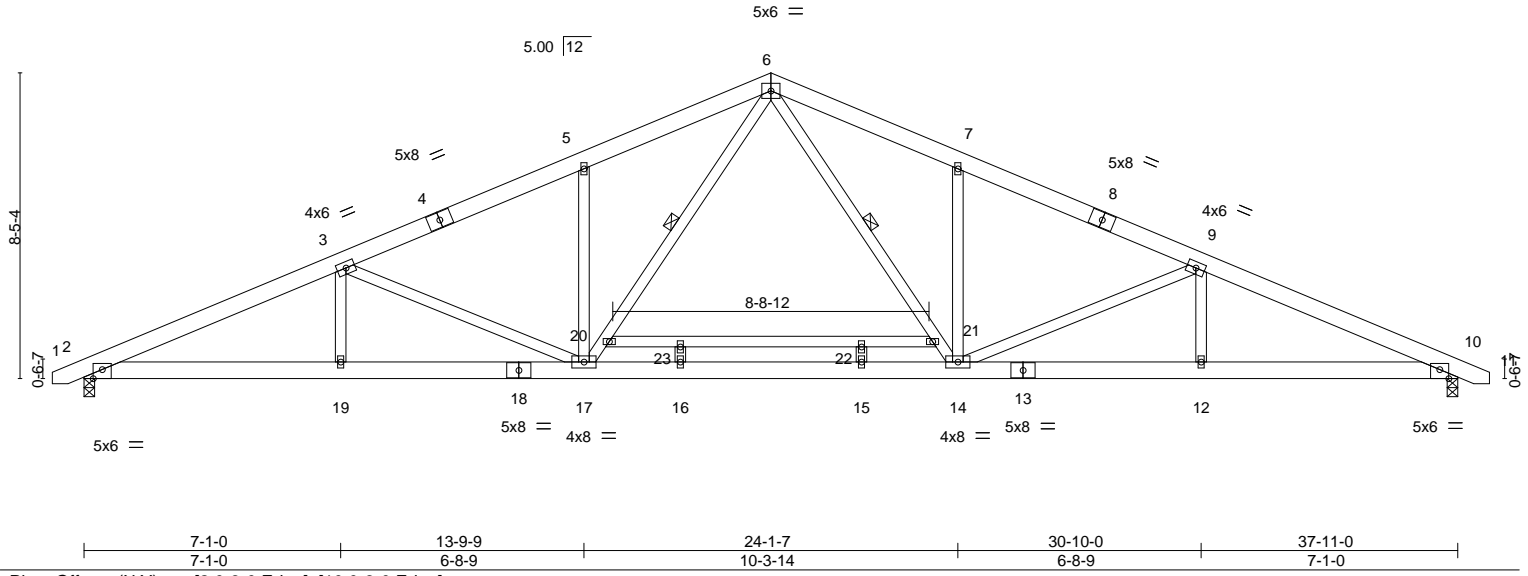


Plate Offsets (X,Y)-- [2:0-3-0,Edge], [10:0-3-0,Edge]

LOADING (psf)	SPACING-	2-5-8	CSI.	DEFL.	in (loc)	l/defl	L/d	PLATES	GRIP
TCLL 20.0	Plate Grip DOL	1.15	TC 0.56	Vert(LL)	-0.17	16	>999	MT20	244/190
TCDL 10.0	Lumber DOL	1.15	BC 0.97	Vert(CT)	-0.50	15-16	>908		
BCLL 0.0 *	Rep Stress Incr	NO	WB 0.83	Horz(CT)	0.13	10	n/a		
BCDL 10.0	Code IRC2015/TPI2014		Matrix-MS	Wind(LL)	0.25	17	>999		
								Weight: 275 lb	FT = 20%

LUMBER-	BRACING-
TOP CHORD 2x6 SP No.2	TOP CHORD Structural wood sheathing directly applied or 3-2-9 oc purlins.
BOT CHORD 2x6 SP No.2	BOT CHORD Rigid ceiling directly applied or 5-0-4 oc bracing.
WEBS 2x4 SP No.3 *Except* 20-21: 2x4 SP No.2	WEBS 1 Row at midpt 6-14, 6-17

REACTIONS. (size) 2=0-3-8, 10=0-3-8
 Max Horz 2=301(LC 12)
 Max Uplift 2=792(LC 12), 10=792(LC 13)
 Max Grav 2=2013(LC 1), 10=2013(LC 1)

FORCES. (lb) - Max. Comp./Max. Ten. - All forces 250 (lb) or less except when shown.
 TOP CHORD 2-3=-4235/2417, 3-5=-3490/1932, 5-6=-3472/2188, 6-7=-3472/2188, 7-9=-3490/1932, 9-10=-4235/2417
 BOT CHORD 2-19=-2042/3858, 17-19=-2042/3858, 16-17=-874/2378, 15-16=-874/2378, 14-15=-874/2378, 12-14=-2047/3858, 10-12=-2047/3858
 WEBS 6-21=-783/1356, 14-21=-817/1342, 7-14=-455/592, 9-14=-813/786, 9-12=0/257, 17-20=-817/1342, 6-20=-783/1356, 5-17=-455/592, 3-17=-813/786, 3-19=0/257

- NOTES-**
- Unbalanced roof live loads have been considered for this design.
 - Wind: ASCE 7-10; Vult=150mph (3-second gust) Vasd=119mph; TCDL=6.0psf; BCDL=6.0psf; h=25ft; Cat. II; Exp C; Enclosed; MWFRS (envelope) gable end zone and C-C Exterior(2) zone; end vertical left and right exposed; C-C for members and forces & MWFRS for reactions shown; Lumber DOL=1.60 plate grip DOL=1.60
 - 200.0lb AC unit load placed on the bottom chord, 18-11-8 from left end, supported at two points, 5-0-0 apart.
 - All plates are 2x4 MT20 unless otherwise indicated.
 - This truss has been designed for a 10.0 psf bottom chord live load nonconcurrent with any other live loads.
 - * This truss has been designed for a live load of 20.0psf on the bottom chord in all areas where a rectangle 3-6-0 tall by 2-0-0 wide will fit between the bottom chord and any other members.
 - Provide mechanical connection (by others) of truss to bearing plate capable of withstanding 792 lb uplift at joint 2 and 792 lb uplift at joint 10.



Job 2434740	Truss B01	Truss Type Common Supported Gable	Qty 9	Ply 1	H&H/Kenzie/ Job Reference (optional)	142553551
----------------	--------------	--------------------------------------	----------	----------	---	-----------

Builders FirstSource, Sumter, SC - 29153,

8.240 s Mar 9 2020 MiTek Industries, Inc. Mon Aug 24 13:45:23 2020 Page 1

ID:2zFdWtUxPjBB?1X9xOWCpYycTNe-7i0RthSwhU2hsZP0cqdvVomNLCHjFATK8PeBykd_w

-0-10-8	17-11-8	35-11-0	36-9-8
0-10-8	17-11-8	17-11-8	0-10-8

Scale = 1:61.1

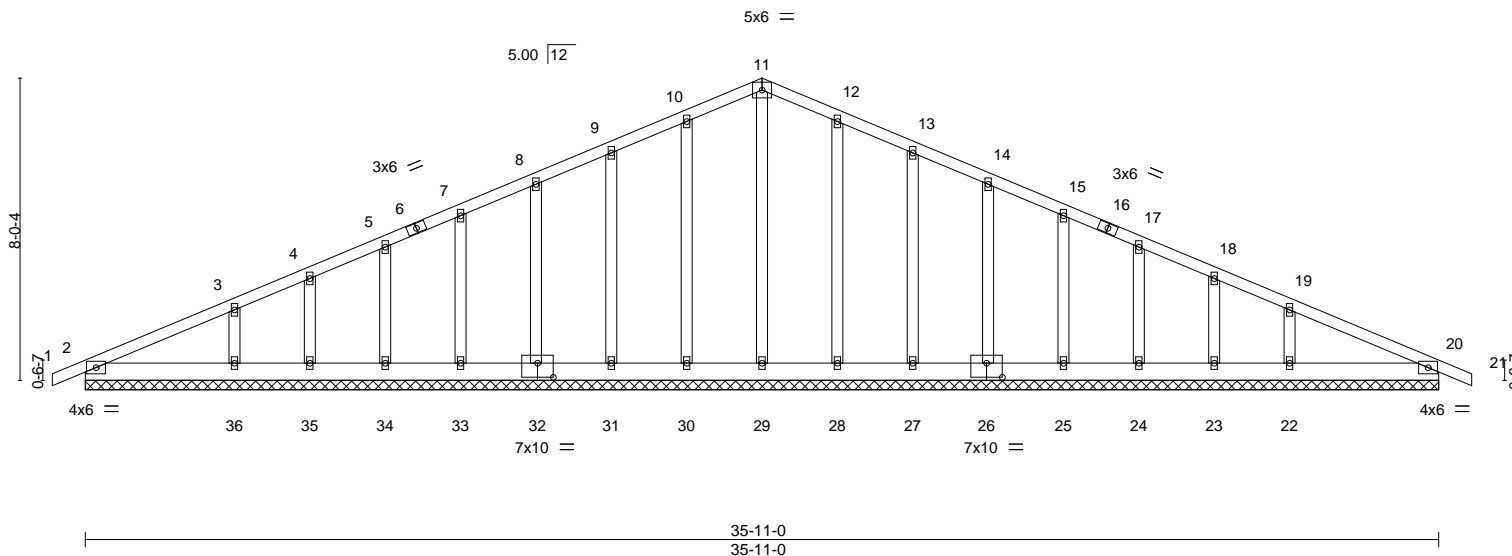


Plate Offsets (X,Y)--	[26:0-5-0,0-4-8], [32:0-5-0,0-4-8]
-----------------------	------------------------------------

LOADING (psf)	SPACING-	2-0-0	CSI.	DEFL.	in (loc)	l/defl	L/d	PLATES	GRIP
TCLL 20.0	Plate Grip DOL	1.15	TC 0.15	Vert(LL)	0.00	21	n/r	MT20	244/190
TCDL 10.0	Lumber DOL	1.15	BC 0.08	Vert(CT)	0.00	21	n/r		
BCLL 0.0 *	Rep Stress Incr	YES	WB 0.17	Horz(CT)	0.01	20	n/a		
BCDL 10.0	Code IRC2015/TPI2014		Matrix-S						
								Weight: 238 lb	FT = 20%

LUMBER-
 TOP CHORD 2x4 SP No.2
 BOT CHORD 2x6 SP No.2
 OTHERS 2x4 SP No.3

BRACING-
 TOP CHORD Structural wood sheathing directly applied or 6-0-0 oc purlins.
 BOT CHORD Rigid ceiling directly applied or 10-0-0 oc bracing.

REACTIONS. All bearings 35-11-0.
 (lb) - Max Horz 2=-235(LC 13)
 Max Uplift All uplift 100 lb or less at joint(s) 2, 35, 23, 20 except 30=-116(LC 12), 31=-117(LC 12),
 32=-115(LC 12), 33=-112(LC 12), 34=-126(LC 12), 36=-235(LC 12), 28=-113(LC 13), 27=-118(LC 13),
 26=-115(LC 13), 25=-112(LC 13), 24=-126(LC 13), 22=-232(LC 13)
 Max Grav All reactions 250 lb or less at joint(s) 2, 29, 30, 31, 32, 33, 34, 35, 28, 27, 26, 25, 24, 23, 20
 except 36=311(LC 23), 22=311(LC 24)

FORCES. (lb) - Max. Comp./Max. Ten. - All forces 250 (lb) or less except when shown.
 TOP CHORD 2-3=-268/97, 9-10=-117/314, 10-11=-142/381, 11-12=-142/381, 12-13=-117/314
 WEBS 3-36=-206/273, 19-22=-206/273

- NOTES-**
- Unbalanced roof live loads have been considered for this design.
 - Wind: ASCE 7-10; Vult=150mph (3-second gust) Vasd=119mph; TCCL=6.0psf; BCDL=6.0psf; h=25ft; Cat. II; Exp C; Enclosed; MWFRS (envelope) gable end zone and C-C Exterior(2) zone; end vertical left and right exposed; C-C for members and forces & MWFRS for reactions shown; Lumber DOL=1.60 plate grip DOL=1.60
 - Truss designed for wind loads in the plane of the truss only. For studs exposed to wind (normal to the face), see Standard Industry Gable End Details as applicable, or consult qualified building designer as per ANSI/TPI 1.
 - All plates are 2x4 MT20 unless otherwise indicated.
 - Gable requires continuous bottom chord bearing.
 - Gable studs spaced at 2-0-0 oc.
 - This truss has been designed for a 10.0 psf bottom chord live load nonconcurrent with any other live loads.
 - * This truss has been designed for a live load of 20.0psf on the bottom chord in all areas where a rectangle 3-6-0 tall by 2-0-0 wide will fit between the bottom chord and any other members.
 - Provide mechanical connection (by others) of truss to bearing plate capable of withstanding 100 lb uplift at joint(s) 2, 35, 23, 20 except (jt=lb) 30=116, 31=117, 32=115, 33=112, 34=126, 36=235, 28=113, 27=118, 26=115, 25=112, 24=126, 22=232.
 - Beveled plate or shim required to provide full bearing surface with truss chord at joint(s) 2, 20.



August 24, 2020

WARNING - Verify design parameters and READ NOTES ON THIS AND INCLUDED MITEK REFERENCE PAGE MII-7473 rev. 5/19/2020 BEFORE USE.
 Design valid for use only with MiTek® connectors. This design is based only upon parameters shown, and is for an individual building component, not a truss system. Before use, the building designer must verify the applicability of design parameters and properly incorporate this design into the overall building design. Bracing indicated is to prevent buckling of individual truss web and/or chord members only. Additional temporary and permanent bracing is always required for stability and to prevent collapse with possible personal injury and property damage. For general guidance regarding the fabrication, storage, delivery, erection and bracing of trusses and truss systems, see **ANSI/TPI1 Quality Criteria, DSB-89 and BCSI Building Component Safety Information** available from Truss Plate Institute, 2670 Crain Highway, Suite 203 Waldorf, MD 20601



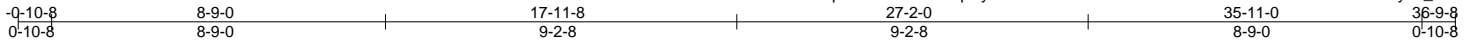
818 Soundside Road
 Edenton, NC 27932

Job 2434740	Truss B02	Truss Type Common	Qty 36	Ply 1	H&H/Kenzie/ Job Reference (optional)	142553552
----------------	--------------	----------------------	-----------	----------	---	-----------

Builders FirstSource, Sumter, SC - 29153,

8.240 s Mar 9 2020 MiTek Industries, Inc. Mon Aug 24 13:45:25 2020 Page 1

ID:2zFdWTuXpJBB?1X9xOWCpYycTNe-388BINUAC5IP5sZOKFfNaDseY0i5L22TwedWi4ykd_u



Scale = 1:60.4

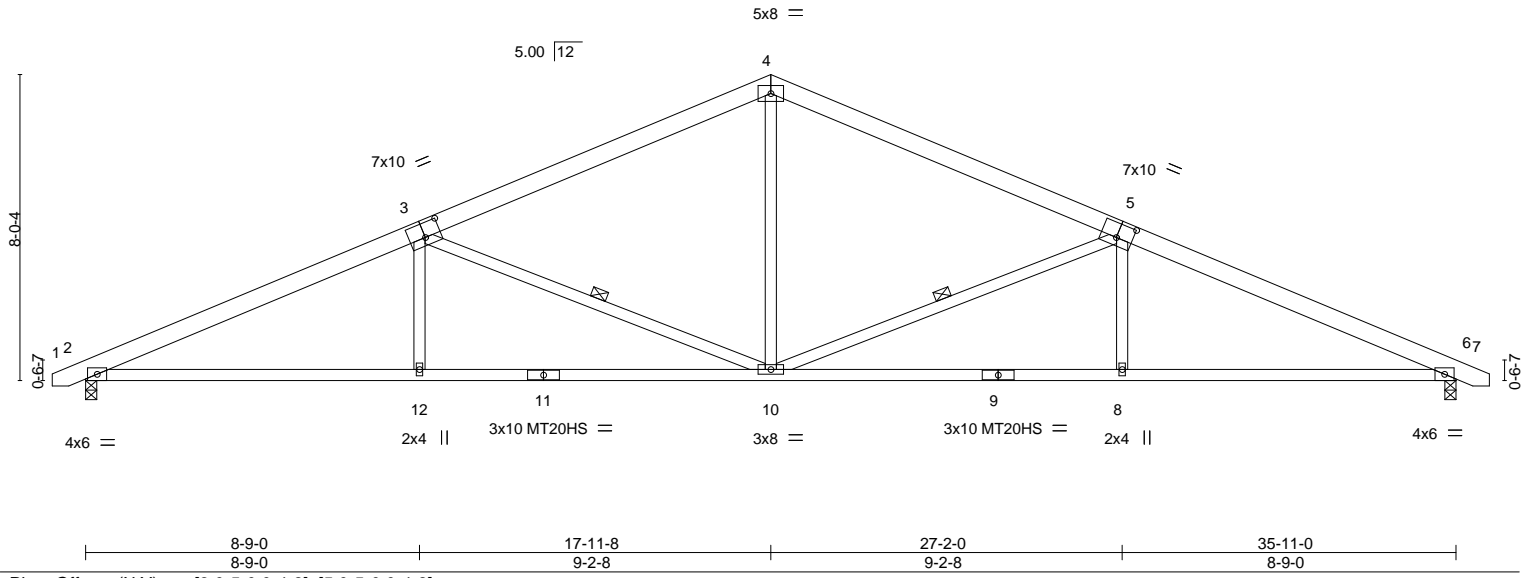


Plate Offsets (X,Y)--	[3:0-5-0,0-4-8], [5:0-5-0,0-4-8]
-----------------------	----------------------------------

LOADING (psf)	SPACING-	2-0-0	CSI.	DEFL.	in (loc)	l/defl	L/d	PLATES	GRIP	
TCLL 20.0	Plate Grip DOL	1.15	TC 0.49	Vert(LL)	-0.17	10-12	>999	360	MT20	244/190
TCDL 10.0	Lumber DOL	1.15	BC 0.98	Vert(CT)	-0.42	10-12	>999	240	MT20HS	187/143
BCLL 0.0 *	Rep Stress Incr	YES	WB 0.56	Horz(CT)	0.14	6	n/a	n/a		
BCDL 10.0	Code IRC2015/TPI2014		Matrix-AS	Wind(LL)	0.21	10-12	>999	240		Weight: 199 lb FT = 20%

LUMBER-	BRACING-
TOP CHORD 2x6 SP No.2	TOP CHORD Structural wood sheathing directly applied.
BOT CHORD 2x4 SP No.2	BOT CHORD Rigid ceiling directly applied.
WEBS 2x4 SP No.3	WEBS 1 Row at midpt 5-10, 3-10

REACTIONS. (size) 2=0-3-8, 6=0-3-8
 Max Horz 2=233(LC 16)
 Max Uplift 2=688(LC 12), 6=688(LC 13)
 Max Grav 2=1476(LC 1), 6=1476(LC 1)

FORCES. (lb) - Max. Comp./Max. Ten. - All forces 250 (lb) or less except when shown.
 TOP CHORD 2-3=-2924/1923, 3-4=-2007/1434, 4-5=-2007/1434, 5-6=-2924/1923
 BOT CHORD 2-12=-1601/2621, 10-12=-1602/2618, 8-10=-1605/2618, 6-8=-1603/2621
 WEBS 4-10=-514/914, 5-10=-977/812, 5-8=0/349, 3-10=-977/812, 3-12=0/349

NOTES-

- Unbalanced roof live loads have been considered for this design.
- Wind: ASCE 7-10; Vult=150mph (3-second gust) Vasd=119mph; TC DL=6.0psf; BCDL=6.0psf; h=25ft; Cat. II; Exp C; Enclosed; MWFRS (envelope) gable end zone and C-C Exterior(2) zone; end vertical left and right exposed; C-C for members and forces & MWFRS for reactions shown; Lumber DOL=1.60 plate grip DOL=1.60
- All plates are MT20 plates unless otherwise indicated.
- This truss has been designed for a 10.0 psf bottom chord live load nonconcurrent with any other live loads.
- * This truss has been designed for a live load of 20.0psf on the bottom chord in all areas where a rectangle 3-6-0 tall by 2-0-0 wide will fit between the bottom chord and any other members.
- Provide mechanical connection (by others) of truss to bearing plate capable of withstanding 100 lb uplift at joint(s) except (jt=lb) 2=688, 6=688.
- This truss design requires that a minimum of 7/16" structural wood sheathing be applied directly to the top chord and 1/2" gypsum sheetrock be applied directly to the bottom chord.



August 24, 2020

Job 2434740	Truss B03	Truss Type Common Supported Gable	Qty 3	Ply 1	H&H/Kenzie/ Job Reference (optional)	142553553
----------------	--------------	--------------------------------------	----------	----------	---	-----------

Builders FirstSource, Sumter, SC - 29153,

8.240 s Mar 9 2020 MiTek Industries, Inc. Mon Aug 24 13:45:27 2020 Page 1

ID:2zFdWTuXpJBB?1X9xOWCpYycTNe-?WGxj2VQkiY6LAjnrgrhxfex34qep2kmOy6dnyykd_s



Scale = 1:61.2

Plate Offsets (X,Y)--	[25:0-5-0,0-4-8], [31:0-5-0,0-4-8]
-----------------------	------------------------------------

LOADING (psf)	SPACING-	2-0-0	CSI.	DEFL.	in (loc)	l/defl	L/d	PLATES	GRIP
TCLL 20.0	Plate Grip DOL	1.15	TC 0.17	Vert(LL)	-0.00	1	n/r	MT20	244/190
TCDL 10.0	Lumber DOL	1.15	BC 0.07	Vert(CT)	0.00	1	n/r		
BCLL 0.0 *	Rep Stress Incr	YES	WB 0.16	Horz(CT)	0.01	20	n/a		
BCDL 10.0	Code IRC2015/TPI2014		Matrix-S						
								Weight: 237 lb	FT = 20%

LUMBER-	BRACING-
TOP CHORD 2x4 SP No.2	TOP CHORD Structural wood sheathing directly applied or 6-0-0 oc purlins.
BOT CHORD 2x6 SP No.2	BOT CHORD Rigid ceiling directly applied or 10-0-0 oc bracing.
OTHERS 2x4 SP No.3	

REACTIONS. All bearings 35-11-0.
 (lb) - Max Horz 2=241(LC 12)
 Max Uplift All uplift 100 lb or less at joint(s) 2, 34, 22, 20 except 29=116(LC 12), 30=117(LC 12), 31=114(LC 12), 32=111(LC 12), 33=126(LC 12), 35=232(LC 12), 27=113(LC 13), 26=118(LC 13), 25=115(LC 13), 24=112(LC 13), 23=127(LC 13), 21=243(LC 13)
 Max Grav All reactions 250 lb or less at joint(s) 2, 28, 29, 30, 31, 32, 33, 34, 27, 26, 25, 24, 23, 22, 20 except 35=306(LC 23), 21=328(LC 24)

FORCES. (lb) - Max. Comp./Max. Ten. - All forces 250 (lb) or less except when shown.
 TOP CHORD 2-3=269/93, 9-10=116/304, 10-11=140/372, 11-12=140/372, 12-13=116/304
 WEBS 3-35=204/270, 19-21=225/297

- NOTES-**
- Unbalanced roof live loads have been considered for this design.
 - Wind: ASCE 7-10; Vult=150mph (3-second gust) Vasd=119mph; TCCL=6.0psf; BCDL=6.0psf; h=25ft; Cat. II; Exp C; Enclosed; MWFRS (envelope) gable end zone and C-C Exterior(2) zone; end vertical left and right exposed;C-C for members and forces & MWFRS for reactions shown; Lumber DOL=1.60 plate grip DOL=1.60
 - Truss designed for wind loads in the plane of the truss only. For studs exposed to wind (normal to the face), see Standard Industry Gable End Details as applicable, or consult qualified building designer as per ANSI/TPI 1.
 - All plates are 2x4 MT20 unless otherwise indicated.
 - Gable requires continuous bottom chord bearing.
 - Gable studs spaced at 2-0-0 oc.
 - This truss has been designed for a 10.0 psf bottom chord live load nonconcurrent with any other live loads.
 - * This truss has been designed for a live load of 20.0psf on the bottom chord in all areas where a rectangle 3-6-0 tall by 2-0-0 wide will fit between the bottom chord and any other members.
 - Provide mechanical connection (by others) of truss to bearing plate capable of withstanding 100 lb uplift at joint(s) 2, 34, 22, 20 except (jt=lb) 29=116, 30=117, 31=114, 32=111, 33=126, 35=232, 27=113, 26=118, 25=115, 24=112, 23=127, 21=243.

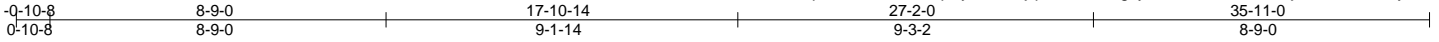


Job 2434740	Truss B04	Truss Type Common	Qty 18	Ply 1	H&H/Kenzie/ Job Reference (optional)	142553554
----------------	--------------	----------------------	-----------	----------	---	-----------

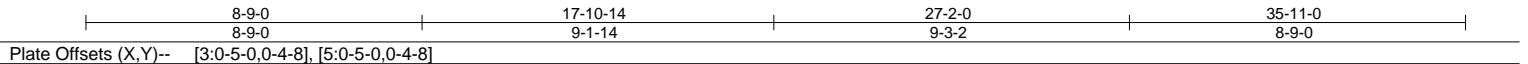
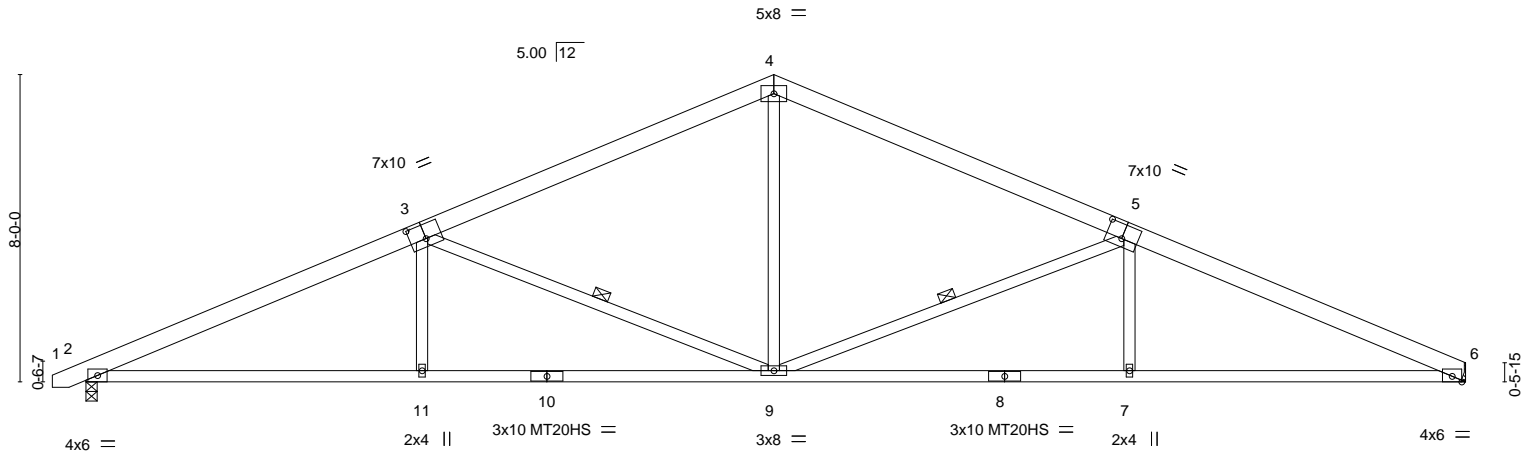
Builders FirstSource, Sumter, SC - 29153,

8.240 s Mar 9 2020 MiTek Industries, Inc. Mon Aug 24 13:45:28 2020 Page 1

ID:2zFdwTuxpJBB?1X9xOWCpYycTNe-TjqKwOW2V0gzyKlzPND4CsU9cDmjYPmvccsAJoykd_r



Scale = 1:60.0



LOADING (psf)	SPACING-	2-0-0	CSI.	DEFL.	in (loc)	l/defl	L/d	PLATES	GRIP
TCLL 20.0	Plate Grip DOL	1.15	TC 0.50	Vert(LL)	-0.18	7-9	>999	MT20	244/190
TCDL 10.0	Lumber DOL	1.15	BC 0.98	Vert(CT)	-0.43	7-9	>999	MT20HS	187/143
BCLL 0.0 *	Rep Stress Incr	YES	WB 0.56	Horz(CT)	0.14	6	n/a		
BCDL 10.0	Code IRC2015/TPI2014		Matrix-AS	Wind(LL)	0.22	9-11	>999		
								Weight: 197 lb	FT = 20%

LUMBER-	BRACING-
TOP CHORD 2x6 SP No.2	TOP CHORD Structural wood sheathing directly applied.
BOT CHORD 2x4 SP No.2	BOT CHORD Rigid ceiling directly applied.
WEBS 2x4 SP No.3	WEBS 1 Row at midpt 5-9, 3-9

REACTIONS. (size) 2=0-3-8, 6=Mechanical
 Max Horz 2=239(LC 16)
 Max Uplift 2=688(LC 12), 6=658(LC 13)
 Max Grav 2=1477(LC 1), 6=1436(LC 1)

FORCES. (lb) - Max. Comp./Max. Ten. - All forces 250 (lb) or less except when shown.
 TOP CHORD 2-3=-2927/1928, 3-4=-2012/1438, 4-5=-2014/1439, 5-6=-2938/1944
 BOT CHORD 2-11=-1623/2624, 9-11=-1624/2623, 7-9=-1646/2652, 6-7=-1643/2657
 WEBS 4-9=-519/922, 5-9=-1004/835, 5-7=0/353, 3-9=-977/810, 3-11=0/348

- NOTES-**
- Unbalanced roof live loads have been considered for this design.
 - Wind: ASCE 7-10; Vult=150mph (3-second gust) Vasd=119mph; TC DL=6.0psf; BCDL=6.0psf; h=25ft; Cat. II; Exp C; Enclosed; MWFRS (envelope) gable end zone and C-C Exterior(2) zone; end vertical left exposed; C-C for members and forces & MWFRS for reactions shown; Lumber DOL=1.60 plate grip DOL=1.60
 - All plates are MT20 plates unless otherwise indicated.
 - This truss has been designed for a 10.0 psf bottom chord live load nonconcurrent with any other live loads.
 - * This truss has been designed for a live load of 20.0psf on the bottom chord in all areas where a rectangle 3-6-0 tall by 2-0-0 wide will fit between the bottom chord and any other members.
 - Refer to girder(s) for truss to truss connections.
 - Provide mechanical connection (by others) of truss to bearing plate capable of withstanding 100 lb uplift at joint(s) except (it=lb) 2=688, 6=658.
 - This truss design requires that a minimum of 7/16" structural wood sheathing be applied directly to the top chord and 1/2" gypsum sheetrock be applied directly to the bottom chord.



August 24, 2020

WARNING - Verify design parameters and READ NOTES ON THIS AND INCLUDED MITEK REFERENCE PAGE MII-7473 rev. 5/19/2020 BEFORE USE.

Design valid for use only with MiTek® connectors. This design is based only upon parameters shown, and is for an individual building component, not a truss system. Before use, the building designer must verify the applicability of design parameters and properly incorporate this design into the overall building design. Bracing indicated is to prevent buckling of individual truss web and/or chord members only. Additional temporary and permanent bracing is always required for stability and to prevent collapse with possible personal injury and property damage. For general guidance regarding the fabrication, storage, delivery, erection and bracing of trusses and truss systems, see **ANSI/TPI1 Quality Criteria, DSB-89 and BCSI Building Component Safety Information** available from Truss Plate Institute, 2670 Crain Highway, Suite 203 Waldorf, MD 20601

ENGINEERING BY
TRENCO
 A MiTek Affiliate

818 Soundside Road
 Edenton, NC 27932

Job 2434740	Truss B05	Truss Type Common	Qty 12	Ply 1	H&H/Kenzie/ Job Reference (optional)	142553555
----------------	--------------	----------------------	-----------	----------	---	-----------

Builders FirstSource, Sumter, SC - 29153,

8.240 s Mar 9 2020 MiTek Industries, Inc. Mon Aug 24 13:45:31 2020 Page 1

ID:2zFdWTuXpJBB?1X9xOWCpYycTNe-uHVSZQYxox2Ypn0Y4WmnpU5dBRuVlgkLJa4qwiykd_o



Scale = 1:60.1

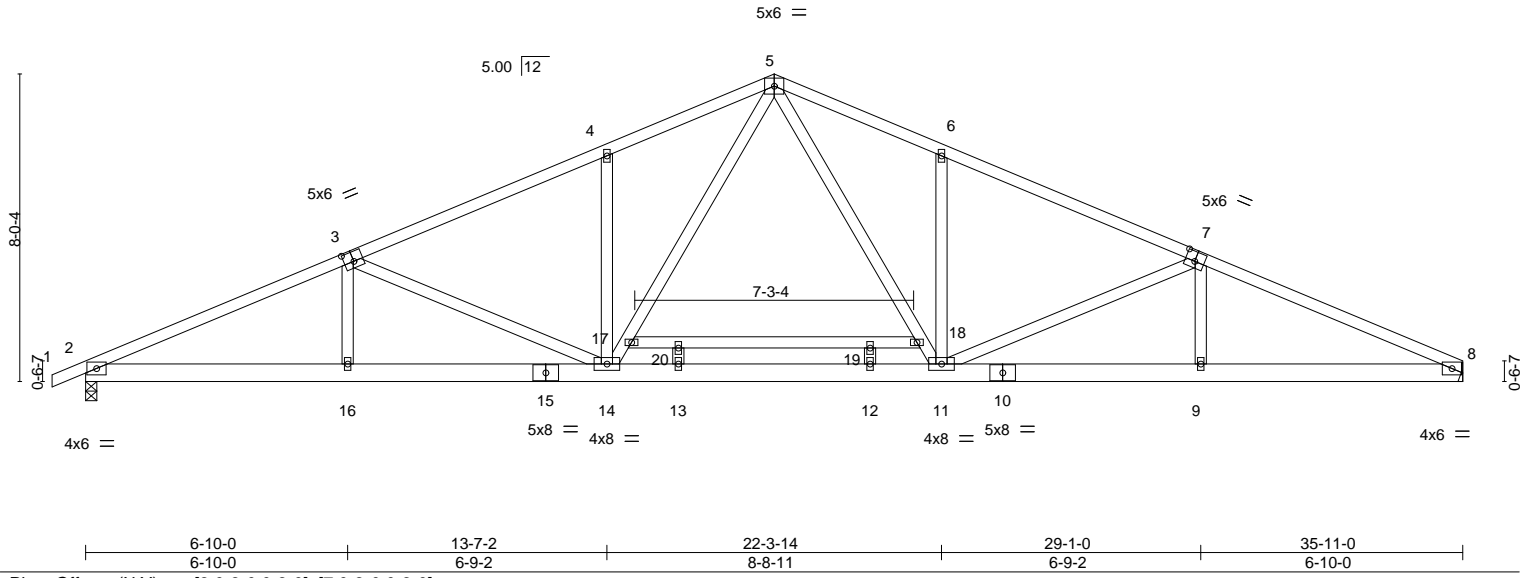


Plate Offsets (X,Y)--	[3:0-3-0,0-3-0], [7:0-3-0,0-3-0]
-----------------------	----------------------------------

LOADING (psf)	SPACING-	2-0-0	CSI.	DEFL.	in (loc)	l/defl	L/d	PLATES	GRIP
TCLL 20.0	Plate Grip DOL	1.15	TC 0.61	Vert(LL)	-0.16	13	>999	MT20	244/190
TCDL 10.0	Lumber DOL	1.15	BC 0.59	Vert(CT)	-0.40	12-13	>999		
BCLL 0.0 *	Rep Stress Incr	YES	WB 0.93	Horz(CT)	0.09	8	n/a		
BCDL 10.0	Code IRC2015/TPI2014		Matrix-AS	Wind(LL)	0.23	14	>999	Weight: 226 lb	FT = 20%

LUMBER-	BRACING-
TOP CHORD 2x4 SP No.2	TOP CHORD Structural wood sheathing directly applied.
BOT CHORD 2x6 SP No.2	BOT CHORD Rigid ceiling directly applied.
WEBS 2x4 SP No.3 *Except* 17-18: 2x4 SP No.2	

REACTIONS. (size) 2=0-3-8, 8=Mechanical
 Max Horz 2=246(LC 12)
 Max Uplift 2=-599(LC 12), 8=-557(LC 13)
 Max Grav 2=1590(LC 1), 8=1536(LC 1)

FORCES. (lb) - Max. Comp./Max. Ten. - All forces 250 (lb) or less except when shown.
 TOP CHORD 2-3=-3223/1737, 3-4=-2655/1390, 4-5=-2635/1584, 5-6=-2636/1585, 6-7=-2656/1390,
 7-8=-3229/1744
 BOT CHORD 2-16=-1474/2907, 14-16=-1476/2905, 13-14=-624/1847, 12-13=-624/1847,
 11-12=-624/1847, 9-11=-1482/2912, 8-9=-1480/2914
 WEBS 5-18=-568/1025, 11-18=-602/1013, 6-11=-353/453, 7-11=-610/599, 14-17=-601/1011,
 5-17=-567/1024, 4-14=-353/454, 3-14=-603/593

- NOTES-**
- Unbalanced roof live loads have been considered for this design.
 - Wind: ASCE 7-10; Vult=150mph (3-second gust) Vasd=119mph; TC DL=6.0psf; BCDL=6.0psf; h=25ft; Cat. II; Exp C; Enclosed; MWFRS (envelope) gable end zone and C-C Exterior(2) zone; end vertical left exposed; C-C for members and forces & MWFRS for reactions shown; Lumber DOL=1.60 plate grip DOL=1.60
 - 200.0lb AC unit load placed on the bottom chord, 17-11-8 from left end, supported at two points, 5-0-0 apart.
 - All plates are 2x4 MT20 unless otherwise indicated.
 - This truss has been designed for a 10.0 psf bottom chord live load nonconcurrent with any other live loads.
 - * This truss has been designed for a live load of 20.0psf on the bottom chord in all areas where a rectangle 3-6-0 tall by 2-0-0 wide will fit between the bottom chord and any other members.
 - Refer to girder(s) for truss to truss connections.
 - Provide mechanical connection (by others) of truss to bearing plate capable of withstanding 100 lb uplift at joint(s) except (jt=lb) 2=599, 8=557.
 - This truss design requires that a minimum of 7/16" structural wood sheathing be applied directly to the top chord and 1/2" gypsum sheetrock be applied directly to the bottom chord.



Job 2434740	Truss B06	Truss Type Common	Qty 6	Ply 1	H&H/Kenzie/ Job Reference (optional)	142553556
----------------	--------------	----------------------	----------	----------	---	-----------

Builders FirstSource, Sumter, SC - 29153,

8.240 s Mar 9 2020 MiTek Industries, Inc. Mon Aug 24 13:45:33 2020 Page 1

ID:2zFdWTuXpJBB?1X9xOWCpYycTNe-ggdDz6aBKYIG35AxCwoFvvB_gEVtDbbemuZx?cykd_m



Scale = 1:59.9

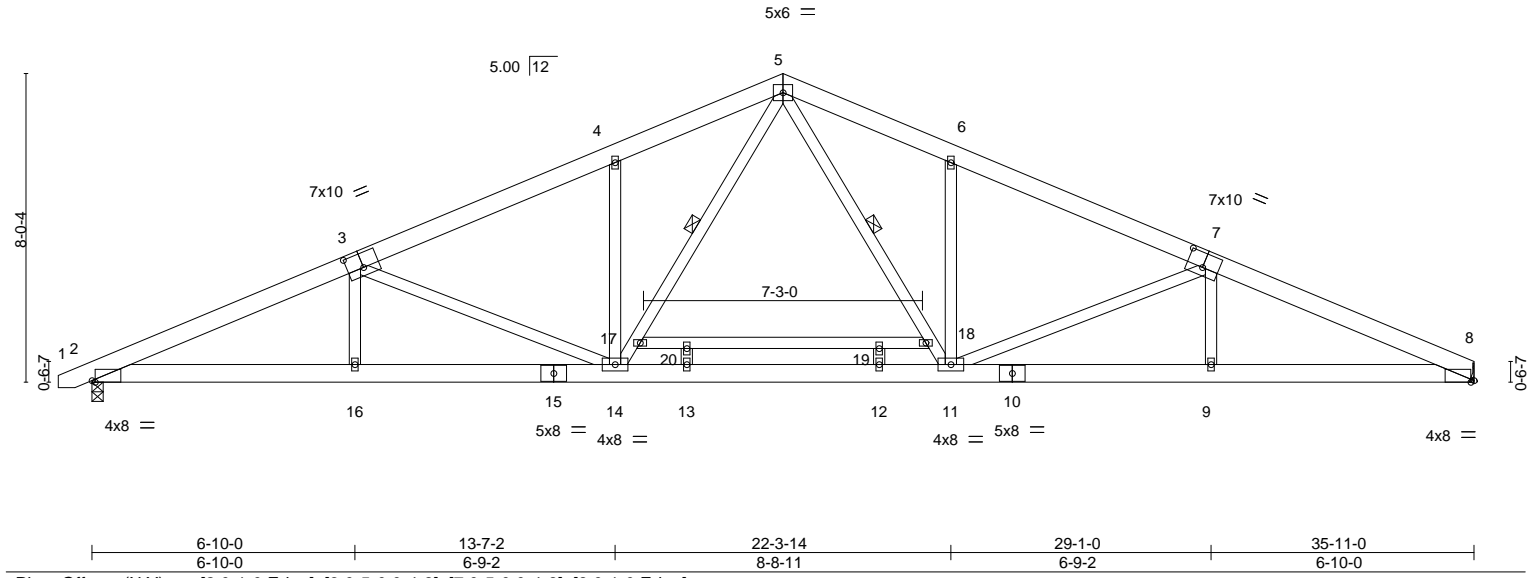


Plate Offsets (X,Y)--	[2:0-1-0,Edge], [3:0-5-0,0-4-8], [7:0-5-0,0-4-8], [8:0-1-0,Edge]
-----------------------	--

LOADING (psf)	SPACING-	2-5-8	CSI.	DEFL.	in (loc)	l/defl	L/d	PLATES	GRIP	
TCLL 20.0	Plate Grip DOL	1.15	TC 0.54	Vert(LL)	-0.15	13	>999	360	MT20	244/190
TCDL 10.0	Lumber DOL	1.15	BC 0.86	Vert(CT)	-0.39	12-13	>999	240		
BCLL 0.0 *	Rep Stress Incr	NO	WB 0.84	Horz(CT)	0.12	8	n/a	n/a		
BCDL 10.0	Code IRC2015/TPI2014		Matrix-MS	Wind(LL)	0.22	14	>999	240	Weight: 259 lb	FT = 20%

LUMBER-	BRACING-
TOP CHORD 2x6 SP No.2	TOP CHORD Structural wood sheathing directly applied or 3-4-3 oc purlins.
BOT CHORD 2x6 SP No.2	BOT CHORD Rigid ceiling directly applied or 5-2-9 oc bracing.
WEBS 2x4 SP No.3 *Except* 17-18: 2x4 SP No.2	WEBS 1 Row at midpt 5-11, 5-14

REACTIONS. (size) 2=0-3-8, 8=Mechanical
 Max Horz 2=296(LC 12)
 Max Uplift 2=-747(LC 12), 8=-708(LC 13)
 Max Grav 2=1915(LC 1), 8=1865(LC 1)

FORCES. (lb) - Max. Comp./Max. Ten. - All forces 250 (lb) or less except when shown.
 TOP CHORD 2-3=-4008/2256, 3-4=-3246/1789, 4-5=-3219/2026, 5-6=-3219/2027, 6-7=-3247/1790,
 7-8=-4012/2261
 BOT CHORD 2-16=-1925/3649, 14-16=-1928/3643, 13-14=-820/2251, 12-13=-820/2251,
 11-12=-820/2251, 9-11=-1932/3648, 8-9=-1930/3654
 WEBS 5-18=-731/1242, 11-18=-771/1232, 6-11=-422/551, 7-11=-829/773, 7-9=0/282,
 14-17=-770/1231, 5-17=-730/1241, 4-14=-422/552, 3-14=-824/769, 3-16=0/281

- NOTES-**
- Unbalanced roof live loads have been considered for this design.
 - Wind: ASCE 7-10; Vult=150mph (3-second gust) Vasd=119mph; TC DL=6.0psf; BCDL=6.0psf; h=25ft; Cat. II; Exp C; Enclosed; MWFRS (envelope) gable end zone and C-C Exterior(2) zone; end vertical left exposed; C-C for members and forces & MWFRS for reactions shown; Lumber DOL=1.60 plate grip DOL=1.60
 - 200.0lb AC unit load placed on the bottom chord, 17-11-8 from left end, supported at two points, 5-0-0 apart.
 - All plates are 2x4 MT20 unless otherwise indicated.
 - This truss has been designed for a 10.0 psf bottom chord live load nonconcurrent with any other live loads.
 - * This truss has been designed for a live load of 20.0psf on the bottom chord in all areas where a rectangle 3-6-0 tall by 2-0-0 wide will fit between the bottom chord and any other members.
 - Refer to girder(s) for truss to truss connections.
 - Provide mechanical connection (by others) of truss to bearing plate capable of withstanding 100 lb uplift at joint(s) except (jt=lb) 2=747, 8=708.

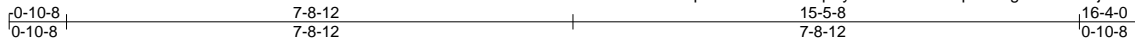


Job 2434740	Truss C01	Truss Type Common Supported Gable	Qty 3	Ply 1	H&H/Kenzie/ Job Reference (optional)	I42553557
----------------	--------------	--------------------------------------	----------	----------	---	-----------

Builders FirstSource, Sumter, SC - 29153,

8.240 s Mar 9 2020 MiTek Industries, Inc. Mon Aug 24 13:45:34 2020 Page 1

ID:2zFdWTuXpJBB?1X9xOWCpYycTNe-IsBbBSbp5sR7gFI7leJUR7jGre2?yEtn?YJVX2ykd_I



Scale = 1:35.2

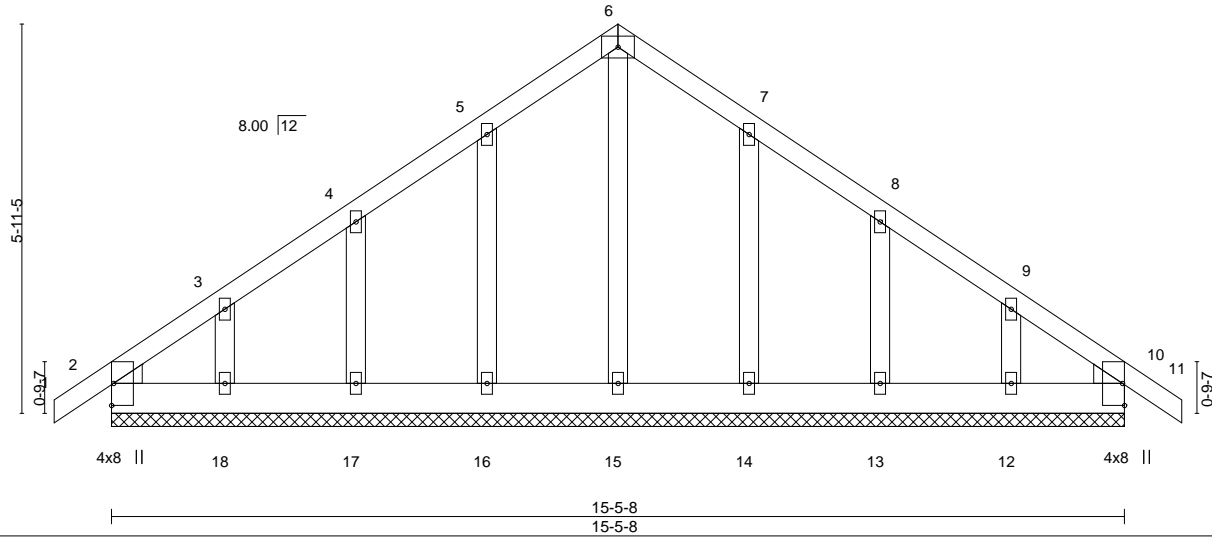


Plate Offsets (X,Y)--	[2:0-0-2,0-0-3], [2:0-0-4,0-3-14], [2:Edge,0-0-6], [10:0-0-2,0-0-3], [10:0-0-4,0-3-14], [10:Edge,0-0-6]
-----------------------	---

LOADING (psf)	SPACING-	CSI.	DEFL.	PLATES	GRIP
TCLL 20.0	2-0-0	TC 0.07	in (loc) l/defl L/d	MT20	244/190
TCDL 10.0	Plate Grip DOL 1.15	BC 0.03	Vert(LL) -0.00 10 n/r 120		
BCLL 0.0 *	Lumber DOL 1.15	WB 0.07	Vert(CT) -0.00 11 n/r 120		
BCDL 10.0	Rep Stress Incr YES	Matrix-S	Horz(CT) 0.00 10 n/a n/a		
	Code IRC2015/TPI2014			Weight: 99 lb	FT = 20%

LUMBER-
TOP CHORD 2x4 SP No.2
BOT CHORD 2x6 SP No.2
OTHERS 2x4 SP No.3
WEDGE
Left: 2x4 SP No.2, Right: 2x4 SP No.2

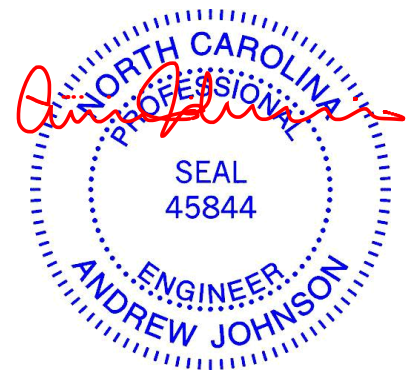
BRACING-
TOP CHORD Structural wood sheathing directly applied or 6-0-0 oc purlins.
BOT CHORD Rigid ceiling directly applied or 10-0-0 oc bracing.

REACTIONS. All bearings 15-5-8.
(lb) - Max Horz 2=-255(LC 10)
Max Uplift All uplift 100 lb or less at joint(s) 2, 10 except 16=-159(LC 12), 17=-153(LC 12), 18=-193(LC 12), 14=-157(LC 13), 13=-153(LC 13), 12=-186(LC 13)
Max Grav All reactions 250 lb or less at joint(s) 2, 10, 15, 16, 17, 18, 14, 13, 12

FORCES. (lb) - Max. Comp./Max. Ten. - All forces 250 (lb) or less except when shown.

NOTES-

- Unbalanced roof live loads have been considered for this design.
- Wind: ASCE 7-10; Vult=150mph (3-second gust) Vasd=119mph; TC DL=6.0psf; BCDL=6.0psf; h=25ft; Cat. II; Exp C; Enclosed; MWFRS (envelope) gable end zone and C-C Exterior(2) zone; end vertical left and right exposed; C-C for members and forces & MWFRS for reactions shown; Lumber DOL=1.60 plate grip DOL=1.60
- Truss designed for wind loads in the plane of the truss only. For studs exposed to wind (normal to the face), see Standard Industry Gable End Details as applicable, or consult qualified building designer as per ANSI/TPI 1.
- All plates are 2x4 MT20 unless otherwise indicated.
- Gable requires continuous bottom chord bearing.
- Gable studs spaced at 2-0-0 oc.
- This truss has been designed for a 10.0 psf bottom chord live load nonconcurrent with any other live loads.
- * This truss has been designed for a live load of 20.0psf on the bottom chord in all areas where a rectangle 3-6-0 tall by 2-0-0 wide will fit between the bottom chord and any other members.
- Provide mechanical connection (by others) of truss to bearing plate capable of withstanding 100 lb uplift at joint(s) 2, 10 except (jt=lb) 16=159, 17=153, 18=193, 14=157, 13=153, 12=186.
- Beveled plate or shim required to provide full bearing surface with truss chord at joint(s) 2.



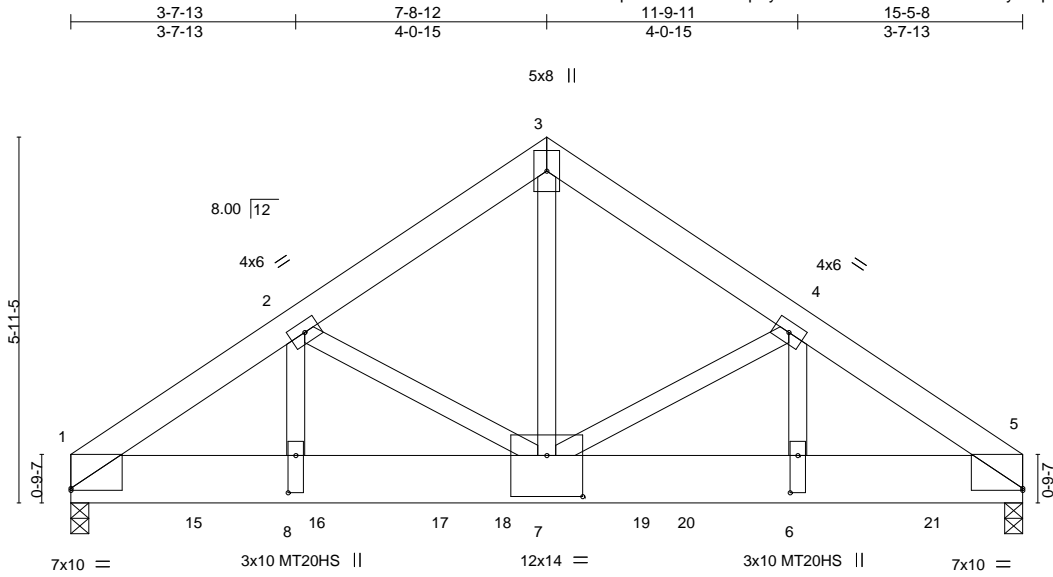
August 24, 2020

Job 2434740	Truss C02	Truss Type Common Girder	Qty 3	Ply 2	H&H/Kenzie/ Job Reference (optional)	I42553558
----------------	--------------	-----------------------------	----------	----------	---	-----------

Builders FirstSource, Sumter, SC - 29153,

8.240 s Mar 9 2020 MiTek Industries, Inc. Mon Aug 24 13:45:36 2020 Page 1

ID:2zFdWtUxPjBB?1X9xOWCpYycTNe-EFJLc7c4dThrwZvWt3MyWYpY3SdhQ_M4Ssobbxykd_j



Scale = 1:37.4

Plate Offsets (X,Y)--	[1:0-0-0,0-0-6], [5:Edge,0-0-6], [6:0-7-4,0-1-8], [7:0-7-0,0-8-0], [8:0-7-4,0-1-8]
-----------------------	--

LOADING (psf)	SPACING-	CSI.	DEFL.	PLATES	GRIP
TCLL 20.0	2-0-0	TC 0.34	in (loc) l/defl L/d	MT20	244/190
TCDL 10.0	Plate Grip DOL 1.15	BC 0.46	Vert(LL) 0.10 6-7 >999 240	MT20HS	187/143
BCLL 0.0 *	Lumber DOL 1.15	WB 0.71	Vert(CT) -0.13 6-7 >999 240		
BCDL 10.0	Rep Stress Incr NO	Matrix-MS	Horz(CT) 0.03 5 n/a n/a		
	Code IRC2015/TPI2014			Weight: 262 lb	FT = 20%

LUMBER-
TOP CHORD 2x6 SP No.2
BOT CHORD 2x10 SP DSS
WEBS 2x4 SP No.2 *Except*
3-7: 2x4 SP No.1

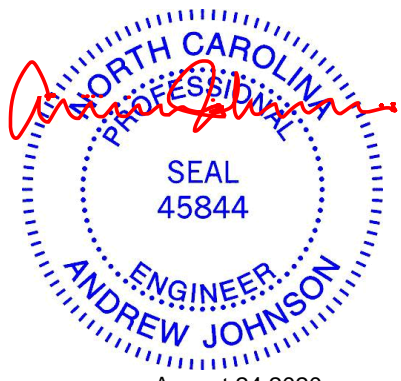
BRACING-
TOP CHORD Structural wood sheathing directly applied or 4-6-12 oc purlins.
BOT CHORD Rigid ceiling directly applied or 10-0-0 oc bracing.

REACTIONS. (size) 1=0-3-8 (req. 0-4-4), 5=0-3-8 (req. 0-4-8)
Max Horz 1=229(LC 7)
Max Uplift 1=2951(LC 8), 5=3345(LC 9)
Max Grav 1=7168(LC 1), 5=7601(LC 1)

FORCES. (lb) - Max. Comp./Max. Ten. - All forces 250 (lb) or less except when shown.
TOP CHORD 1-2=-10355/4269, 2-3=-8199/3519, 3-4=-8199/3518, 4-5=-10638/4622
BOT CHORD 1-8=-3591/8539, 7-8=-3591/8539, 6-7=-3736/8774, 5-6=-3736/8774
WEBS 3-7=-3633/8620, 4-7=-2325/1294, 4-6=-1195/2556, 2-7=-2048/945, 2-8=-816/2249

- NOTES-**
- 2-ply truss to be connected together with 10d (0.131"x3") nails as follows:
Top chords connected as follows: 2x6 - 2 rows staggered at 0-9-0 oc.
Bottom chords connected as follows: 2x10 - 2 rows staggered at 0-4-0 oc.
Webs connected as follows: 2x4 - 1 row at 0-9-0 oc.
 - All loads are considered equally applied to all plies, except if noted as front (F) or back (B) face in the LOAD CASE(S) section. Ply to ply connections have been provided to distribute only loads noted as (F) or (B), unless otherwise indicated.
 - Unbalanced roof live loads have been considered for this design.
 - Wind: ASCE 7-10; Vult=150mph (3-second gust) Vasd=119mph; TCDL=6.0psf; BCDL=6.0psf; h=25ft; Cat. II; Exp C; Enclosed; MWFRS (envelope) gable end zone; end vertical left and right exposed; Lumber DOL=1.60 plate grip DOL=1.60
 - All plates are MT20 plates unless otherwise indicated.
 - This truss has been designed for a 10.0 psf bottom chord live load nonconcurrent with any other live loads.
 - * This truss has been designed for a live load of 20.0psf on the bottom chord in all areas where a rectangle 3-6-0 tall by 2-0-0 wide will fit between the bottom chord and any other members.
 - WARNING: Required bearing size at joint(s) 1, 5 greater than input bearing size.
 - Provide mechanical connection (by others) of truss to bearing plate capable of withstanding 100 lb uplift at joint(s) except (jt=lb) 1=2951, 5=3345.
 - Hanger(s) or other connection device(s) shall be provided sufficient to support concentrated load(s) 1649 lb down and 655 lb up at 2-0-12, 1649 lb down and 655 lb up at 4-0-12, 1649 lb down and 655 lb up at 6-0-12, 1988 lb down and 816 lb up at 7-1-0, 1988 lb down and 816 lb up at 9-4-0, 1536 lb down and 745 lb up at 10-0-12, and 1536 lb down and 745 lb up at 12-0-12, and 1536 lb down and 745 lb up at 14-0-12 on bottom chord. The design/selection of such connection device(s) is the responsibility of others.

LOAD CASE(S) Standard



August 24, 2020

Continued on page 2

<p>WARNING - Verify design parameters and READ NOTES ON THIS AND INCLUDED MITEK REFERENCE PAGE MII-7473 rev. 5/19/2020 BEFORE USE.</p> <p>Design valid for use only with MiTek® connectors. This design is based only upon parameters shown, and is for an individual building component, not a truss system. Before use, the building designer must verify the applicability of design parameters and properly incorporate this design into the overall building design. Bracing indicated is to prevent buckling of individual truss web and/or chord members only. Additional temporary and permanent bracing is always required for stability and to prevent collapse with possible personal injury and property damage. For general guidance regarding the fabrication, storage, delivery, erection and bracing of trusses and truss systems, see ANSI/TPI1 Quality Criteria, DSB-89 and BCSI Building Component Safety Information available from Truss Plate Institute, 2670 Crain Highway, Suite 203 Waldorf, MD 20601</p>	 818 Soundside Road Edenton, NC 27932
--	---

Job	Truss	Truss Type	Qty	Ply	H&H/Kenzie/	I42553558
2434740	C02	Common Girder	3	2	Job Reference (optional)	

Builders FirstSource, Sumter, SC - 29153,

8.240 s Mar 9 2020 MiTek Industries, Inc. Mon Aug 24 13:45:36 2020 Page 2
 ID:2zFdWTuXpJBB?1X9xOWCpYycTNe-EFJLc7c4dThrwZvWt3MyWYpY3SdhQ_M4Ssobbxykd_j

LOAD CASE(S) Standard

1) Dead + Roof Live (balanced): Lumber Increase=1.15, Plate Increase=1.15

Uniform Loads (plf)

Vert: 1-3=-60, 3-5=-60, 9-12=-20

Concentrated Loads (lb)

Vert: 6=-1536(B) 15=-1649(B) 16=-1649(B) 17=-1649(B) 18=-1988(B) 19=-1988(B) 20=-1536(B) 21=-1536(B)

WARNING - Verify design parameters and READ NOTES ON THIS AND INCLUDED MITEK REFERENCE PAGE MII-7473 rev. 5/19/2020 BEFORE USE.

Design valid for use only with MiTek® connectors. This design is based only upon parameters shown, and is for an individual building component, not a truss system. Before use, the building designer must verify the applicability of design parameters and properly incorporate this design into the overall building design. Bracing indicated is to prevent buckling of individual truss web and/or chord members only. Additional temporary and permanent bracing is always required for stability and to prevent collapse with possible personal injury and property damage. For general guidance regarding the fabrication, storage, delivery, erection and bracing of trusses and truss systems, see **ANSI/TP1 Quality Criteria, DSB-89 and BCSI Building Component Safety Information** available from Truss Plate Institute, 2670 Crain Highway, Suite 203 Waldorf, MD 20601



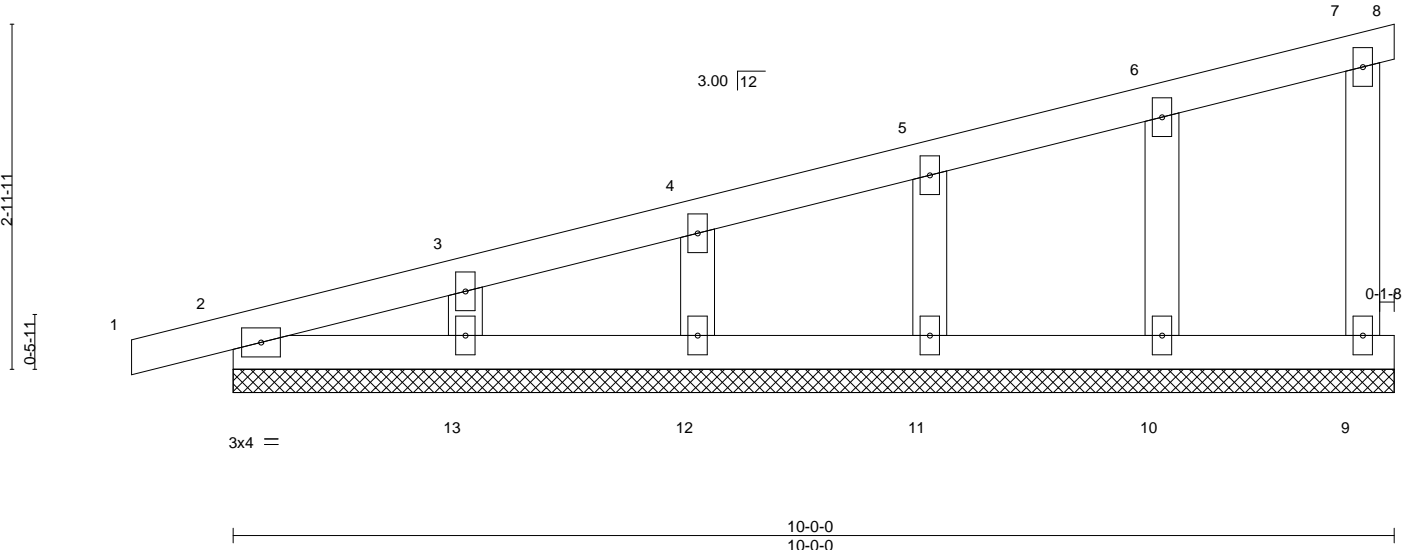
818 Soundside Road
 Edenton, NC 27932

Job 2434740	Truss CP01	Truss Type Monopitch Supported Gable	Qty 12	Ply 1	H&H/Kenzie/ Job Reference (optional)	142553559
----------------	---------------	---	-----------	----------	---	-----------

Builders FirstSource, Sumter, SC - 29153,

8.240 s Mar 9 2020 MiTek Industries, Inc. Mon Aug 24 13:45:37 2020 Page 1

ID:2zFdWTuXpJBB?1X9xOWCpYycTNe-jRtjTdiOnpiXiUiRmtB3LlnKs4c9csEhWX98Nyk_d



LOADING (psf)	SPACING-	2-0-0	CSI.	DEFL.	in (loc)	l/defl	L/d	PLATES	GRIP	
TCLL 20.0	Plate Grip DOL	1.15	TC 0.12	Vert(LL)	0.00	1	n/r	120	MT20	244/190
TCDL 10.0	Lumber DOL	1.15	BC 0.04	Vert(CT)	0.00	1	n/r	120		
BCLL 0.0 *	Rep Stress Incr	YES	WB 0.06	Horz(CT)	-0.00	8	n/a	n/a		
BCDL 10.0	Code IRC2015/TPI2014		Matrix-S						Weight: 42 lb	FT = 20%

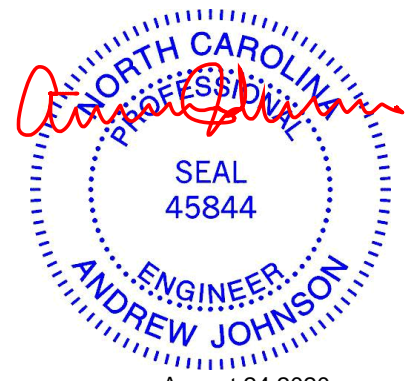
LUMBER-	BRACING-
TOP CHORD 2x4 SP No.2	TOP CHORD Structural wood sheathing directly applied or 6-0-0 oc purlins, except end verticals.
BOT CHORD 2x4 SP No.2	BOT CHORD Rigid ceiling directly applied or 10-0-0 oc bracing.
WEBS 2x4 SP No.3	
OTHERS 2x4 SP No.3	

REACTIONS. All bearings 10-0-0.
 (lb) - Max Horz 2=195(LC 9)
 Max Uplift All uplift 100 lb or less at joint(s) 8, 9, 2, 10 except 11=100(LC 12), 12=102(LC 8), 13=111(LC 12)
 Max Grav All reactions 250 lb or less at joint(s) 8, 9, 2, 10, 11, 12, 13

FORCES. (lb) - Max. Comp./Max. Ten. - All forces 250 (lb) or less except when shown.
 TOP CHORD 2-3=-280/149

NOTES-

- 1) Wind: ASCE 7-10; Vult=150mph (3-second gust) Vasd=119mph; TCDL=6.0psf; BCDL=6.0psf; h=25ft; Cat. II; Exp C; Enclosed; MWFRS (envelope) gable end zone and C-C Exterior(2) zone; end vertical left and right exposed; C-C for members and forces & MWFRS for reactions shown; Lumber DOL=1.60 plate grip DOL=1.60
- 2) Truss designed for wind loads in the plane of the truss only. For studs exposed to wind (normal to the face), see Standard Industry Gable End Details as applicable, or consult qualified building designer as per ANSI/TPI 1.
- 3) All plates are 2x4 MT20 unless otherwise indicated.
- 4) Gable requires continuous bottom chord bearing.
- 5) Gable studs spaced at 2-0-0 oc.
- 6) This truss has been designed for a 10.0 psf bottom chord live load nonconcurrent with any other live loads.
- 7) * This truss has been designed for a live load of 20.0psf on the bottom chord in all areas where a rectangle 3-6-0 tall by 2-0-0 wide will fit between the bottom chord and any other members.
- 8) Provide mechanical connection (by others) of truss to bearing plate capable of withstanding 100 lb uplift at joint(s) 8, 9, 2, 10 except (jt=lb) 11=100, 12=102, 13=111.



WARNING - Verify design parameters and READ NOTES ON THIS AND INCLUDED MITEK REFERENCE PAGE MII-7473 rev. 5/19/2020 BEFORE USE.
 Design valid for use only with MiTek® connectors. This design is based only upon parameters shown, and is for an individual building component, not a truss system. Before use, the building designer must verify the applicability of design parameters and properly incorporate this design into the overall building design. Bracing indicated is to prevent buckling of individual truss web and/or chord members only. Additional temporary and permanent bracing is always required for stability and to prevent collapse with possible personal injury and property damage. For general guidance regarding the fabrication, storage, delivery, erection and bracing of trusses and truss systems, see **ANSI/TPI1 Quality Criteria, DSB-89 and BCSI Building Component Safety Information** available from Truss Plate Institute, 2670 Crain Highway, Suite 203 Waldorf, MD 20601

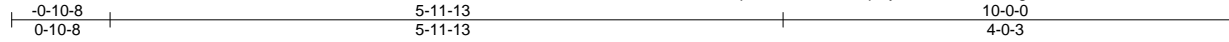


Job	Truss	Truss Type	Qty	Ply	H&H/Kenzie/	I42553560
2434740	CP02	Monopitch	36	1		

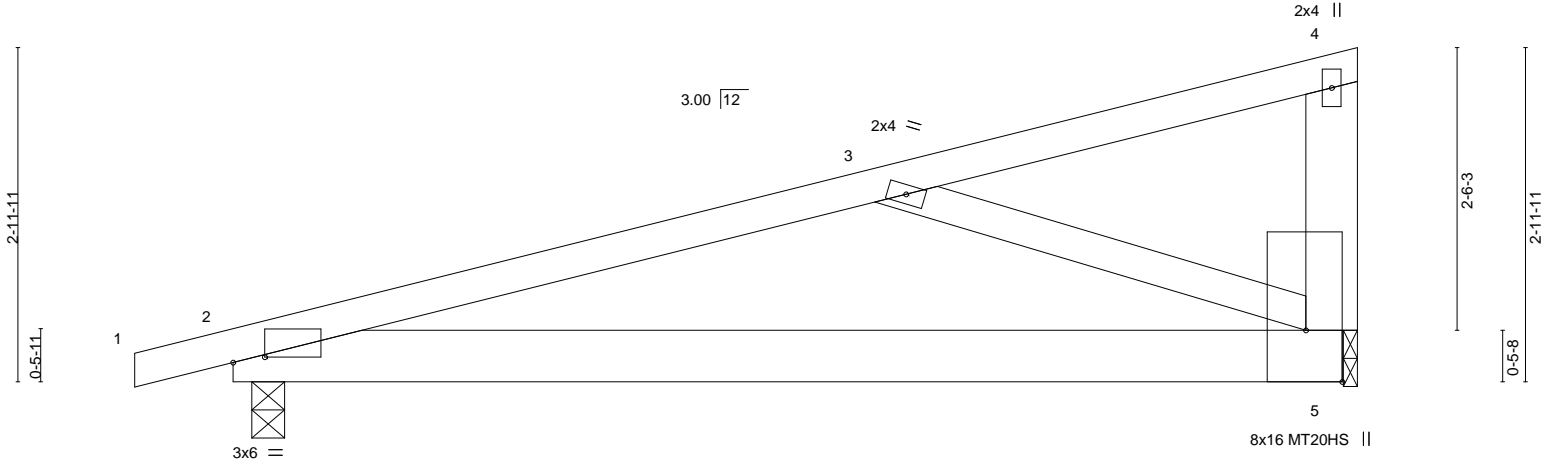
Builders FirstSource, Sumter, SC - 29153,

8.240 s Mar 9 2020 MiTek Industries, Inc. Mon Aug 24 13:45:40 2020 Page 1

ID:2zFdWTuXpJBB?1X9xOWCpYycTNe-70YsRVfagiBGOACH6vQuhOzAl3zLMvlgNumpkiykd_f



Scale = 1:20.5



0-2-0
0-2-0

Plate Offsets (X,Y)-- [2-0-3-6,0-0-9], [5:Edge,0-3-14]

LOADING (psf)	SPACING-	2-0-0	CSI.	DEFL.	in (loc)	l/defl	L/d	PLATES	GRIP
TCLL 20.0	Plate Grip DOL	1.15	TC 0.62	Vert(LL)	0.24	5-8	>481	MT20	244/190
TCDL 10.0	Lumber DOL	1.15	BC 0.55	Vert(CT)	-0.14	5-8	>854	MT20HS	187/143
BCLL 0.0 *	Rep Stress Incr	YES	WB 0.27	Horz(CT)	-0.01	5	n/a		
BCDL 10.0	Code IRC2015/TPI2014		Matrix-AS						
								Weight: 51 lb	FT = 20%

LUMBER-
 TOP CHORD 2x4 SP No.2
 BOT CHORD 2x6 SP No.2
 WEBS 2x6 SP No.2 *Except*
 3-5: 2x4 SP No.3

BRACING-
 TOP CHORD Structural wood sheathing directly applied, except end verticals.
 BOT CHORD Rigid ceiling directly applied.

REACTIONS. (size) 2=0-3-8, 5=0-1-8
 Max Horz 2=190(LC 8)
 Max Uplift 2=-434(LC 8), 5=-403(LC 8)
 Max Grav 2=446(LC 1), 5=388(LC 1)

FORCES. (lb) - Max. Comp./Max. Ten. - All forces 250 (lb) or less except when shown.
 TOP CHORD 2-3=-626/932
 BOT CHORD 2-5=-1068/591
 WEBS 3-5=-548/903

- NOTES-**
- 1) Wind: ASCE 7-10; Vult=150mph (3-second gust) Vasd=119mph; TCDL=6.0psf; BCDL=6.0psf; h=25ft; Cat. II; Exp C; Enclosed; MWFRS (envelope) gable end zone and C-C Exterior(2) zone; end vertical left exposed; porch left and right exposed;C-C for members and forces & MWFRS for reactions shown; Lumber DOL=1.60 plate grip DOL=1.60
 - 2) All plates are MT20 plates unless otherwise indicated.
 - 3) This truss has been designed for a 10.0 psf bottom chord live load nonconcurrent with any other live loads.
 - 4) * This truss has been designed for a live load of 20.0psf on the bottom chord in all areas where a rectangle 3-6-0 tall by 2-0-0 wide will fit between the bottom chord and any other members.
 - 5) Bearing at joint(s) 5 considers parallel to grain value using ANSI/TPI 1 angle to grain formula. Building designer should verify capacity of bearing surface.
 - 6) Provide mechanical connection (by others) of truss to bearing plate at joint(s) 5.
 - 7) Provide mechanical connection (by others) of truss to bearing plate capable of withstanding 100 lb uplift at joint(s) except (jt=lb) 2=434, 5=403.
 - 8) This truss design requires that a minimum of 7/16" structural wood sheathing be applied directly to the top chord and 1/2" gypsum sheetrock be applied directly to the bottom chord.



August 24, 2020

WARNING - Verify design parameters and READ NOTES ON THIS AND INCLUDED MITEK REFERENCE PAGE MII-7473 rev. 5/19/2020 BEFORE USE.
 Design valid for use only with MiTek® connectors. This design is based only upon parameters shown, and is for an individual building component, not a truss system. Before use, the building designer must verify the applicability of design parameters and properly incorporate this design into the overall building design. Bracing indicated is to prevent buckling of individual truss web and/or chord members only. Additional temporary and permanent bracing is always required for stability and to prevent collapse with possible personal injury and property damage. For general guidance regarding the fabrication, storage, delivery, erection and bracing of trusses and truss systems, see **ANSI/TPI1 Quality Criteria, DSB-89 and BCSI Building Component Safety Information** available from Truss Plate Institute, 2670 Crain Highway, Suite 203 Waldorf, MD 20601

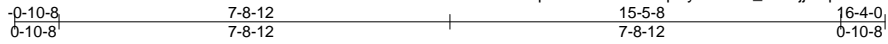


Job 2434740	Truss D01	Truss Type GABLE	Qty 3	Ply 1	H&H/Kenzie/ Job Reference (optional)	I42553561
----------------	--------------	---------------------	----------	----------	---	-----------

Builders FirstSource, Sumter, SC - 29153,

8.240 s Mar 9 2020 MiTek Industries, Inc. Mon Aug 24 13:45:45 2020 Page 1

ID:2zFdwTuXpJBB71X9xOWCpYycTNe-U_LIVCjjVEpZVx5EvS03ORh7R4nq1C3PXIUaQvykd_a



3x6 =

Scale = 1:45.6

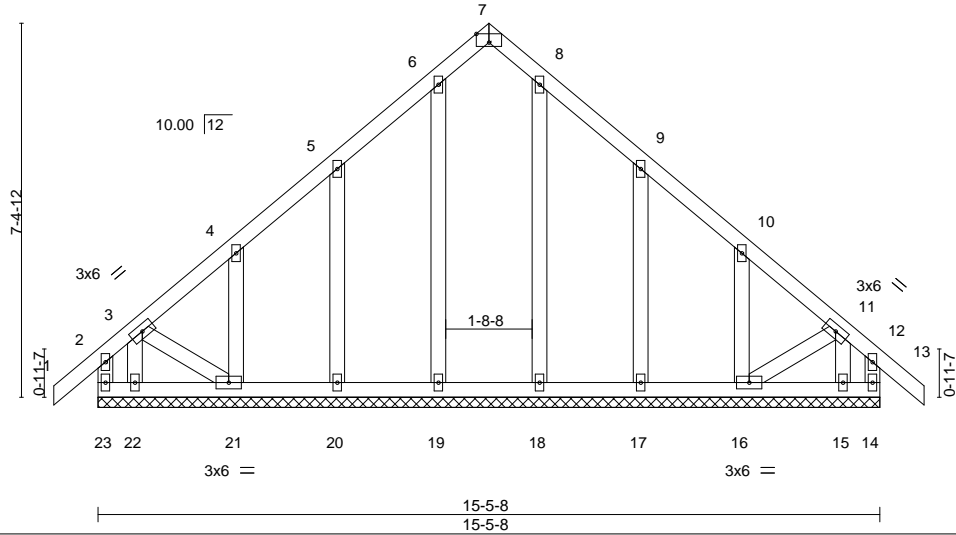


Plate Offsets (X,Y)-- [7:0-3-0,Edge]

LOADING (psf)	SPACING-	CSI.	DEFL.	PLATES	GRIP
TCLL 20.0	2-0-0	TC 0.17	in (loc) l/defl L/d	MT20	244/190
TCDL 10.0	Plate Grip DOL 1.15	BC 0.08	Vert(LL) -0.00 13 n/r 120		
BCLL 0.0 *	Lumber DOL 1.15	WB 0.11	Vert(CT) -0.00 13 n/r 120		
BCDL 10.0	Rep Stress Incr YES	Matrix-S	Horz(CT) 0.01 14 n/a n/a		
	Code IRC2015/TPI2014			Weight: 106 lb	FT = 20%

LUMBER-
 TOP CHORD 2x4 SP No.2
 BOT CHORD 2x4 SP No.2
 WEBS 2x4 SP No.3
 OTHERS 2x4 SP No.3

BRACING-
 TOP CHORD Structural wood sheathing directly applied or 6-0-0 oc purlins, except end verticals.
 BOT CHORD Rigid ceiling directly applied or 6-0-0 oc bracing.

REACTIONS. All bearings 15-5-8.
 (lb) - Max Horz 23=-367(LC 10)
 Max Uplift All uplift 100 lb or less at joint(s) 23, 14, 19, 18, 15 except 20=-216(LC 12), 21=-345(LC 12), 17=-219(LC 13), 16=-345(LC 13)
 Max Grav All reactions 250 lb or less at joint(s) 23, 14, 19, 20, 22, 18, 17, 15 except 21=253(LC 19), 16=253(LC 20)

FORCES. (lb) - Max. Comp./Max. Ten. - All forces 250 (lb) or less except when shown.
 TOP CHORD 3-4=-319/223, 10-11=-300/223
 BOT CHORD 22-23=-295/300, 21-22=-295/300, 20-21=-302/370, 19-20=-302/370, 18-19=-302/370, 17-18=-302/370, 16-17=-302/370
 WEBS 5-20=-254/239, 9-17=-254/242, 3-21=-245/323, 11-16=-245/322

- NOTES-**
- Unbalanced roof live loads have been considered for this design.
 - Wind: ASCE 7-10; Vult=150mph (3-second gust) Vasd=119mph; TC DL=6.0psf; BCDL=6.0psf; h=25ft; Cat. II; Exp C; Enclosed; MWFRS (envelope) gable end zone and C-C Exterior(2) zone; end vertical left and right exposed; C-C for members and forces & MWFRS for reactions shown; Lumber DOL=1.60 plate grip DOL=1.60
 - Truss designed for wind loads in the plane of the truss only. For studs exposed to wind (normal to the face), see Standard Industry Gable End Details as applicable, or consult qualified building designer as per ANSI/TPI 1.
 - All plates are 2x4 MT20 unless otherwise indicated.
 - Gable requires continuous bottom chord bearing.
 - Truss to be fully sheathed on one face or securely braced against lateral movement (i.e. diagonal web).
 - Gable studs spaced at 2-0-0 oc.
 - This truss has been designed for a 10.0 psf bottom chord live load nonconcurrent with any other live loads.
 - * This truss has been designed for a live load of 20.0psf on the bottom chord in all areas where a rectangle 3-6-0 tall by 2-0-0 wide will fit between the bottom chord and any other members.
 - Provide mechanical connection (by others) of truss to bearing plate capable of withstanding 100 lb uplift at joint(s) 23, 14, 19, 18, 15 except (jt=lb) 20=216, 21=345, 17=219, 16=345.



WARNING - Verify design parameters and READ NOTES ON THIS AND INCLUDED MITEK REFERENCE PAGE MII-7473 rev. 5/19/2020 BEFORE USE.
 Design valid for use only with MiTek® connectors. This design is based only upon parameters shown, and is for an individual building component, not a truss system. Before use, the building designer must verify the applicability of design parameters and properly incorporate this design into the overall building design. Bracing indicated is to prevent buckling of individual truss web and/or chord members only. Additional temporary and permanent bracing is always required for stability and to prevent collapse with possible personal injury and property damage. For general guidance regarding the fabrication, storage, delivery, erection and bracing of trusses and truss systems, see **ANSI/TPI1 Quality Criteria, DSB-89 and BCSI Building Component Safety Information** available from Truss Plate Institute, 2670 Crain Highway, Suite 203 Waldorf, MD 20601

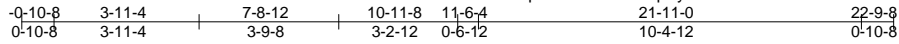


Job 2434740	Truss E01	Truss Type Common Structural Gable	Qty 3	Ply 1	H&H/Kenzie/ Job Reference (optional)	142553562
----------------	--------------	---------------------------------------	----------	----------	---	-----------

Builders FirstSource, Sumter, SC - 29153,

8.240 s Mar 9 2020 MiTek Industries, Inc. Mon Aug 24 13:45:47 2020 Page 1

ID:2zFdWTuXpJBB?1X9xOWCpYycTNe-QMTVwulz1s3HkFFd0t2XTsmQGuROV4gi_3zhUoykd_Y



4x6 =

Scale = 1:62.5

Plate Offsets (X,Y)--	[2:0-1-12,0-1-7], [2:Edge,0-2-12], [23:0-4-0,0-3-0]				
LOADING (psf)	SPACING- 2-0-0	CSI.	DEFL. in (loc) l/defl L/d	PLATES	GRIP
TCLL 20.0	Plate Grip DOL 1.15	TC 0.34	Vert(LL) -0.02 26-27 >999 360	MT20	244/190
TCDL 10.0	Lumber DOL 1.15	BC 0.22	Vert(CT) -0.04 26-27 >999 240		
BCLL 0.0 *	Rep Stress Incr YES	WB 0.23	Horz(CT) 0.01 19 n/a n/a		
BCDL 10.0	Code IRC2015/TPI2014	Matrix-AS	Wind(LL) 0.01 26 >999 240	Weight: 195 lb	FT = 20%

LUMBER-
TOP CHORD 2x4 SP No.2
BOT CHORD 2x6 SP No.2
WEBS 2x4 SP No.3
OTHERS 2x4 SP No.3

BRACING-
TOP CHORD Structural wood sheathing directly applied, except end verticals.
BOT CHORD Rigid ceiling directly applied.
JOINTS 1 Brace at Jt(s): 8, 11

REACTIONS. All bearings 6-5-4 except (jt=length) 27=0-3-8, 24=0-3-8.
(lb) - Max Horz 27=-481(LC 10)
Max Uplift All uplift 100 lb or less at joint(s) 19, 20, 24 except 22=-139(LC 13), 21=-404(LC 13), 23=-432(LC 12), 27=-255(LC 12)
Max Grav All reactions 250 lb or less at joint(s) 19, 22, 23 except 20=260(LC 22), 21=258(LC 11), 27=703(LC 1), 24=607(LC 3)

FORCES. (lb) - Max. Comp./Max. Ten. - All forces 250 (lb) or less except when shown.
TOP CHORD 2-3=-412/225, 3-4=-625/279, 14-15=-364/174, 15-16=-503/278, 2-27=-445/292, 4-6=-600/361, 6-8=-657/417, 8-9=-645/394, 9-11=-402/279, 11-13=-480/348, 13-23=-676/517
BOT CHORD 26-27=-348/763, 24-26=-180/620, 23-24=-180/620, 22-23=-358/523, 21-22=-358/523
WEBS 12-13=-269/242, 16-20=-298/121, 4-26=-154/417, 3-26=-315/319, 3-27=-429/94, 16-21=-258/421, 9-23=-253/155

- NOTES-**
- Unbalanced roof live loads have been considered for this design.
 - Wind: ASCE 7-10; Vult=150mph (3-second gust) Vasd=119mph; TCdL=6.0psf; BCDL=6.0psf; h=25ft; Cat. II; Exp C; Enclosed; MWFRS (envelope) gable end zone and C-C Exterior(2) zone; end vertical left and right exposed; C-C for members and forces & MWFRS for reactions shown; Lumber DOL=1.60 plate grip DOL=1.60
 - Truss designed for wind loads in the plane of the truss only. For studs exposed to wind (normal to the face), see Standard Industry Gable End Details as applicable, or consult qualified building designer as per ANSI/TPI 1.
 - All plates are 2x4 MT20 unless otherwise indicated.
 - Gable studs spaced at 2-0-0 oc.
 - This truss has been designed for a 10.0 psf bottom chord live load nonconcurrent with any other live loads.
 - * This truss has been designed for a live load of 20.0psf on the bottom chord in all areas where a rectangle 3-6-0 tall by 2-0-0 wide will fit between the bottom chord and any other members.
 - Provide mechanical connection (by others) of truss to bearing plate capable of withstanding 100 lb uplift at joint(s) 19, 20, 24 except (jt=lb) 22=139, 21=404, 23=432, 27=255.
 - This truss design requires that a minimum of 7/16" structural wood sheathing be applied directly to the top chord and 1/2" gypsum sheetrock be applied directly to the bottom chord.
 - Graphical purlin representation does not depict the size or the orientation of the purlin along the top and/or bottom chord.



August 24, 2020

WARNING - Verify design parameters and READ NOTES ON THIS AND INCLUDED MITEK REFERENCE PAGE MII-7473 rev. 5/19/2020 BEFORE USE.

Design valid for use only with MiTek® connectors. This design is based only upon parameters shown, and is for an individual building component, not a truss system. Before use, the building designer must verify the applicability of design parameters and properly incorporate this design into the overall building design. Bracing indicated is to prevent buckling of individual truss web and/or chord members only. Additional temporary and permanent bracing is always required for stability and to prevent collapse with possible personal injury and property damage. For general guidance regarding the fabrication, storage, delivery, erection and bracing of trusses and truss systems, see **ANSI/TPI1 Quality Criteria, DSB-89 and BCSI Building Component Safety Information** available from Truss Plate Institute, 2670 Crain Highway, Suite 203 Waldorf, MD 20601



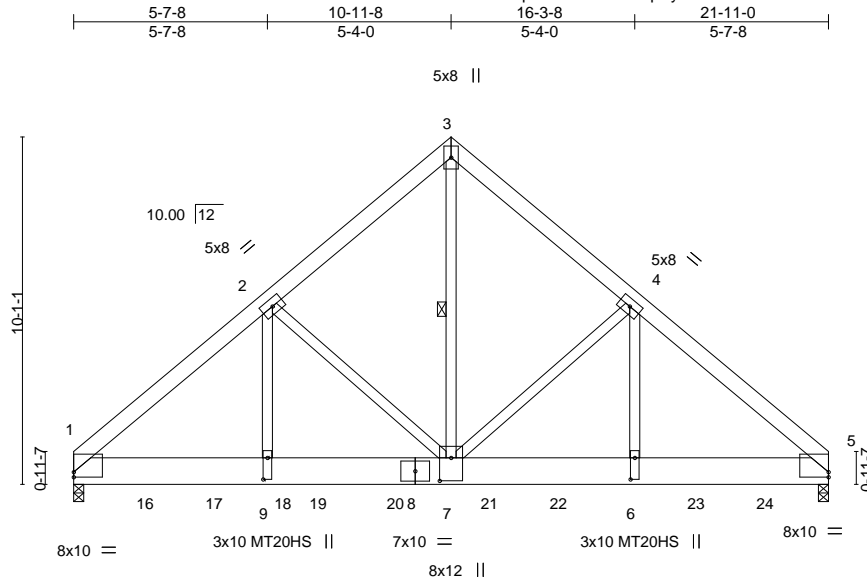
818 Soundside Road
Edenton, NC 27932

Job 2434740	Truss E02	Truss Type Common Girder	Qty 3	Ply 2	H&H/Kenzie/ Job Reference (optional)	142553563
----------------	--------------	-----------------------------	----------	----------	---	-----------

Builders FirstSource, Sumter, SC - 29153,

8.240 s Mar 9 2020 MiTek Industries, Inc. Mon Aug 24 13:45:52 2020 Page 1

ID:2zFdWtUxPjBB?1X9xOWCpYycTNe-mKH0zco6sOIZr07bpQejAwTGsu4GACHR8LgRA?ykd_T



Scale = 1:66.9

Plate Offsets (X,Y)--	[1:0-0,0,0-1-12], [5:0-0,0,0-1-12], [6:0-7-8,0-1-8], [7:0-8-0,0-4-0], [9:0-7-8,0-1-8]
-----------------------	---

LOADING (psf)	SPACING-	2-0-0	CSI.	DEFL.	in (loc)	l/defl	L/d	PLATES	GRIP
TCLL 20.0	Plate Grip DOL	1.15	TC 0.42	Vert(LL)	0.17	7-9	>999	MT20	244/190
TCDL 10.0	Lumber DOL	1.15	BC 0.47	Vert(CT)	-0.22	7-9	>999	MT20HS	187/143
BCLL 0.0 *	Rep Stress Incr	NO	WB 0.82	Horz(CT)	0.04	5	n/a		
BCDL 10.0	Code IRC2015/TPI2014		Matrix-MS						
								Weight: 401 lb	FT = 20%

LUMBER-	BRACING-
TOP CHORD 2x6 SP No.2	TOP CHORD Structural wood sheathing directly applied or 4-4-7 oc purlins.
BOT CHORD 2x10 SP DSS	BOT CHORD Rigid ceiling directly applied or 10-0-0 oc bracing.
WEBS 2x4 SP No.2 *Except*	WEBS 1 Row at midpt 3-7
3-7: 2x4 SP No.1	

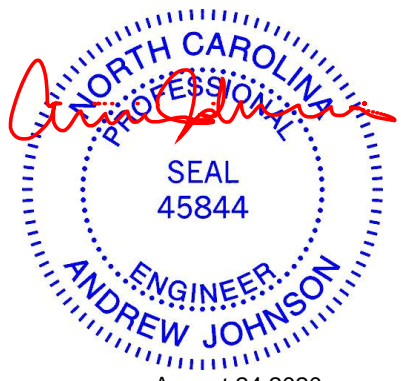
REACTIONS. (size) 1=0-3-8 (req. 0-5-7), 5=0-3-8 (req. 0-5-3)
 Max Horz 1=-406(LC 25)
 Max Uplift 1=-4272(LC 8), 5=-4106(LC 9)
 Max Grav 1=9167(LC 1), 5=8814(LC 1)

FORCES. (lb) - Max. Comp./Max. Ten. - All forces 250 (lb) or less except when shown.
 TOP CHORD 1-2=-11550/5395, 2-3=-8105/3968, 3-4=-8109/3970, 4-5=-10697/4991
 BOT CHORD 1-9=-4210/8762, 7-9=-4210/8762, 6-7=-3712/8117, 5-6=-3712/8117
 WEBS 3-7=-4765/9875, 4-7=-2638/1545, 4-6=-1445/3195, 2-7=-3518/1957, 2-9=-1988/4359

- NOTES-**
- 2-ply truss to be connected together with 10d (0.131"x3") nails as follows:
 Top chords connected as follows: 2x6 - 2 rows staggered at 0-9-0 oc.
 Bottom chords connected as follows: 2x10 - 2 rows staggered at 0-5-0 oc.
 Webs connected as follows: 2x4 - 1 row at 0-9-0 oc.
 - All loads are considered equally applied to all plies, except if noted as front (F) or back (B) face in the LOAD CASE(S) section. Ply to ply connections have been provided to distribute only loads noted as (F) or (B), unless otherwise indicated.
 - Unbalanced roof live loads have been considered for this design.
 - Wind: ASCE 7-10; Vult=150mph (3-second gust) Vasd=119mph; TC DL=6.0psf; BCDL=6.0psf; h=25ft; Cat. II; Exp C; Enclosed; MWFRS (envelope) gable end zone; end vertical left and right exposed; Lumber DOL=1.60 plate grip DOL=1.60
 - All plates are MT20 plates unless otherwise indicated.
 - This truss has been designed for a 10.0 psf bottom chord live load nonconcurrent with any other live loads.
 - * This truss has been designed for a live load of 20.0psf on the bottom chord in all areas where a rectangle 3-6-0 tall by 2-0-0 wide will fit between the bottom chord and any other members.
 - WARNING: Required bearing size at joint(s) 1, 5 greater than input bearing size.
 - Provide mechanical connection (by others) of truss to bearing plate capable of withstanding 100 lb uplift at joint(s) except (jt=lb) 1=4272, 5=4106.
 - Hanger(s) or other connection device(s) shall be provided sufficient to support concentrated load(s) 1416 lb down and 677 lb up at 2-0-12, 1416 lb down and 677 lb up at 4-0-12, 1416 lb down and 677 lb up at 6-0-12, 1741 lb down and 832 lb up at 7-1-0, 1741 lb down and 832 lb up at 9-4-0, 1416 lb down and 678 lb up at 10-0-12, 1416 lb down and 678 lb up at 12-0-12, 1416 lb down and 678 lb up at 14-0-12, 1416 lb down and 678 lb up at 16-0-12, and 1416 lb down and 678 lb up at 18-0-12, and 1416 lb down and 678 lb up at 20-0-12 on bottom chord. The design/selection of such connection device(s) is the responsibility of others.

LOAD CASE(S) Standard

Continued on page 2



WARNING - Verify design parameters and READ NOTES ON THIS AND INCLUDED MITEK REFERENCE PAGE MII-7473 rev. 5/19/2020 BEFORE USE.
 Design valid for use only with MiTek® connectors. This design is based only upon parameters shown, and is for an individual building component, not a truss system. Before use, the building designer must verify the applicability of design parameters and properly incorporate this design into the overall building design. Bracing indicated is to prevent buckling of individual truss web and/or chord members only. Additional temporary and permanent bracing is always required for stability and to prevent collapse with possible personal injury and property damage. For general guidance regarding the fabrication, storage, delivery, erection and bracing of trusses and truss systems, see **ANSI/TPI1 Quality Criteria, DSB-89 and BCSI Building Component Safety Information** available from Truss Plate Institute, 2670 Crain Highway, Suite 203 Waldorf, MD 20601

ENGINEERING BY
TRENCO
 A MiTek Affiliate
 818 Soundside Road
 Edenton, NC 27932

Job 2434740	Truss E02	Truss Type Common Girder	Qty 3	Ply 2	H&H/Kenzie/ Job Reference (optional)	I42553563
----------------	--------------	-----------------------------	----------	-----------------	---	-----------

Builders FirstSource, Sumter, SC - 29153,

8.240 s Mar 9 2020 MiTek Industries, Inc. Mon Aug 24 13:45:52 2020 Page 2
ID:2zFdWTuXpJBB?1X9xOWCpYycTNe-mKHOzco6sOiZr07bpQejAwTGsu4GACHR8LgRA?ykd_T

LOAD CASE(S) Standard

1) Dead + Roof Live (balanced): Lumber Increase=1.15, Plate Increase=1.15

Uniform Loads (plf)

Vert: 1-3=-60, 3-5=-60, 10-13=-20

Concentrated Loads (lb)

Vert: 8=-1416(B) 6=-1416(B) 16=-1416(B) 17=-1416(B) 18=-1416(B) 19=-1741(B) 20=-1741(B) 21=-1416(B) 22=-1416(B) 23=-1416(B) 24=-1416(B)

WARNING - Verify design parameters and READ NOTES ON THIS AND INCLUDED MITEK REFERENCE PAGE MII-7473 rev. 5/19/2020 BEFORE USE.

Design valid for use only with MiTek® connectors. This design is based only upon parameters shown, and is for an individual building component, not a truss system. Before use, the building designer must verify the applicability of design parameters and properly incorporate this design into the overall building design. Bracing indicated is to prevent buckling of individual truss web and/or chord members only. Additional temporary and permanent bracing is always required for stability and to prevent collapse with possible personal injury and property damage. For general guidance regarding the fabrication, storage, delivery, erection and bracing of trusses and truss systems, see **ANSI/TP1 Quality Criteria, DSB-89 and BCSI Building Component Safety Information** available from Truss Plate Institute, 2670 Crain Highway, Suite 203 Waldorf, MD 20601



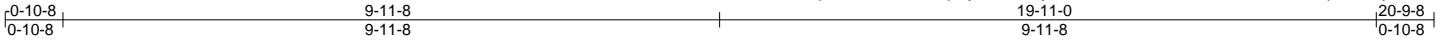
818 Soundside Road
Edenton, NC 27932

Job	Truss	Truss Type	Qty	Ply	H&H/Kenzie/	142553564
2434740	G01	Common Supported Gable	6	1		

Builders FirstSource, Sumter, SC - 29153,

8.240 s Mar 9 2020 MiTek Industries, Inc. Mon Aug 24 13:45:55 2020 Page 1

ID:2zFdWTuXpJBB?1X9xOWCpYycTNe-BvyXbdr_8J48iTs9UYCQoY5rE6CLNkxtqJv6mKykd_Q



Scale = 1:34.9

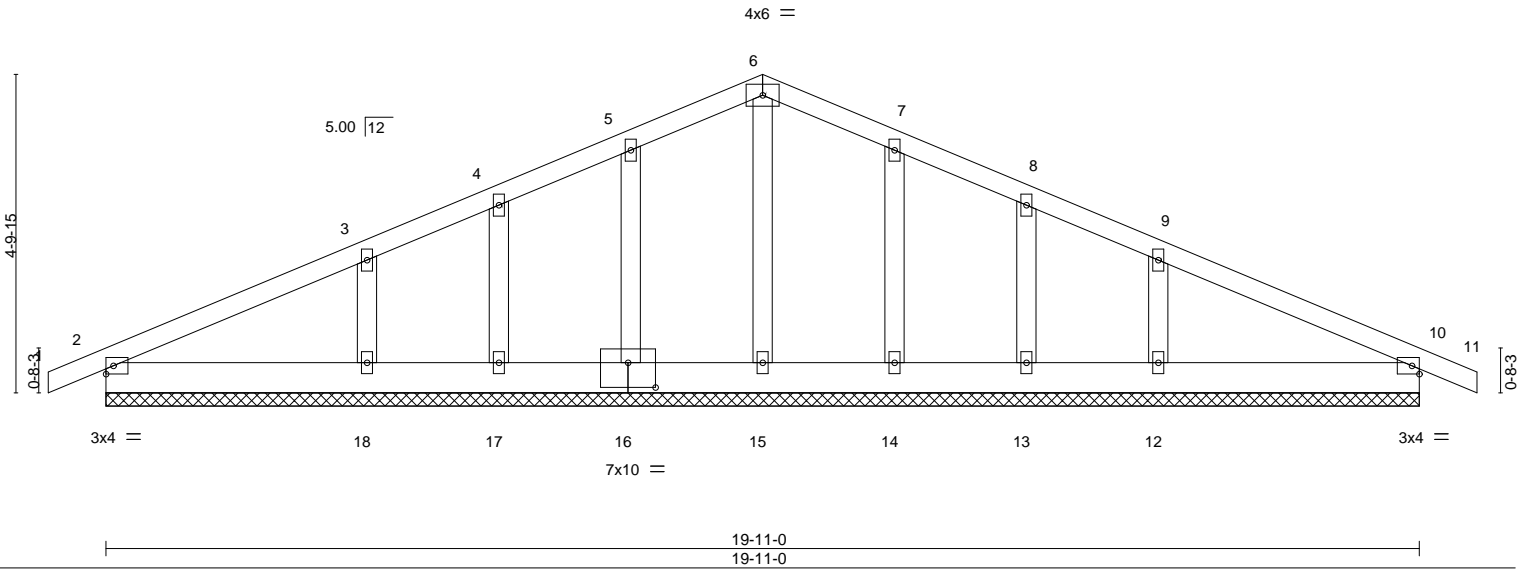


Plate Offsets (X,Y)--	[16:0-5-0,0-4-8]				
LOADING (psf)	SPACING- 2-0-0	CSI.	DEFL. in (loc) l/def L/d	PLATES	GRIP
TCLL 20.0	Plate Grip DOL 1.15	TC 0.15	Vert(LL) 0.00 11 n/r 120	MT20	244/190
TCDL 10.0	Lumber DOL 1.15	BC 0.07	Vert(CT) 0.00 11 n/r 120		
BCLL 0.0 *	Rep Stress Incr YES	WB 0.08	Horz(CT) 0.00 10 n/a n/a		
BCDL 10.0	Code IRC2015/TPI2014	Matrix-S		Weight: 110 lb	FT = 20%

LUMBER-	BRACING-
TOP CHORD 2x4 SP No.2	TOP CHORD Structural wood sheathing directly applied or 6'-0-0 oc purlins.
BOT CHORD 2x6 SP No.2	BOT CHORD Rigid ceiling directly applied or 10'-0-0 oc bracing.
OTHERS 2x4 SP No.3	

REACTIONS. All bearings 19-11-0.
 (lb) - Max Horz 2=-135(LC 13)
 Max Uplift All uplift 100 lb or less at joint(s) 2, 17, 13, 10 except 16=-134(LC 12), 18=-240(LC 12), 14=-133(LC 13), 12=-237(LC 13)
 Max Grav All reactions 250 lb or less at joint(s) 2, 15, 16, 17, 14, 13, 10 except 18=311(LC 23), 12=311(LC 24)

FORCES. (lb) - Max. Comp./Max. Ten. - All forces 250 (lb) or less except when shown.
WEBS 3-18=-206/276, 9-12=-206/275

- NOTES-**
- Unbalanced roof live loads have been considered for this design.
 - Wind: ASCE 7-10; Vult=150mph (3-second gust) Vasd=119mph; TCDL=6.0psf; BCDL=6.0psf; h=25ft; Cat. II; Exp C; Enclosed; MWFRS (envelope) gable end zone and C-C Exterior(2) zone; end vertical left and right exposed; C-C for members and forces & MWFRS for reactions shown; Lumber DOL=1.60 plate grip DOL=1.60
 - Truss designed for wind loads in the plane of the truss only. For studs exposed to wind (normal to the face), see Standard Industry Gable End Details as applicable, or consult qualified building designer as per ANSI/TPI 1.
 - All plates are 2x4 MT20 unless otherwise indicated.
 - Gable requires continuous bottom chord bearing.
 - Gable studs spaced at 2'-0-0 oc.
 - This truss has been designed for a 10.0 psf bottom chord live load nonconcurrent with any other live loads.
 - * This truss has been designed for a live load of 20.0psf on the bottom chord in all areas where a rectangle 3'-6-0 tall by 2'-0-0 wide will fit between the bottom chord and any other members.
 - Provide mechanical connection (by others) of truss to bearing plate capable of withstanding 100 lb uplift at joint(s) 2, 17, 13, 10 except (jt=lb) 16=134, 18=240, 14=133, 12=237.
 - Beveled plate or shim required to provide full bearing surface with truss chord at joint(s) 2, 10.



August 24, 2020

WARNING - Verify design parameters and READ NOTES ON THIS AND INCLUDED MITEK REFERENCE PAGE MII-7473 rev. 5/19/2020 BEFORE USE.
 Design valid for use only with MiTek® connectors. This design is based only upon parameters shown, and is for an individual building component, not a truss system. Before use, the building designer must verify the applicability of design parameters and properly incorporate this design into the overall building design. Bracing indicated is to prevent buckling of individual truss web and/or chord members only. Additional temporary and permanent bracing is always required for stability and to prevent collapse with possible personal injury and property damage. For general guidance regarding the fabrication, storage, delivery, erection and bracing of trusses and truss systems, see **ANSI/TPI1 Quality Criteria, DSB-89 and BCSI Building Component Safety Information** available from Truss Plate Institute, 2670 Crain Highway, Suite 203 Waldorf, MD 20601



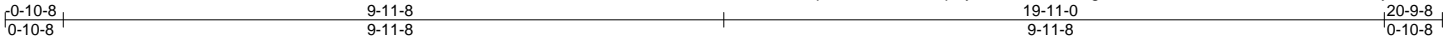
818 Soundside Road
 Edenton, NC 27932

Job 2434740	Truss G02	Truss Type Common	Qty 36	Ply 1	H&H/Kenzie/ Job Reference (optional)	142553565
----------------	--------------	----------------------	-----------	----------	---	-----------

Builders FirstSource, Sumter, SC - 29153,

8.240 s Mar 9 2020 MiTek Industries, Inc. Mon Aug 24 13:45:57 2020 Page 1

ID:2zFdWTuXpJBB?1X9xOWCpYycTNe-7I4H0JsFgwKsxn?YczEutzA5svhVrdGAHdOCrDykd_O



Scale = 1:34.7

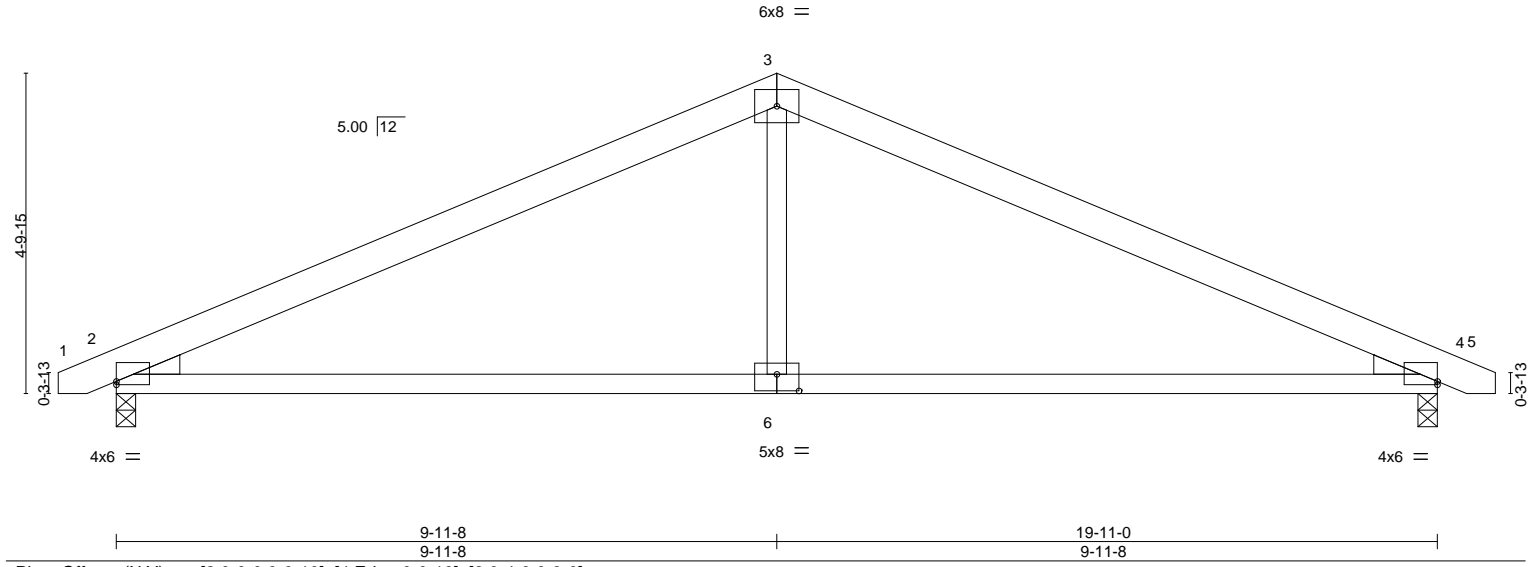


Plate Offsets (X,Y)-- [2:0-0-0,0-0-10], [4:Edge,0-0-10], [6:0-4-0,0-3-0]

LOADING (psf)	SPACING-	2-0-0	CSI.	DEFL.	in (loc)	l/defl	L/d	PLATES	GRIP
TCLL 20.0	Plate Grip DOL	1.15	TC 0.53	Vert(LL)	-0.13	6-12	>999	MT20	244/190
TCDL 10.0	Lumber DOL	1.15	BC 0.85	Vert(CT)	-0.28	6-12	>847		
BCLL 0.0 *	Rep Stress Incr	YES	WB 0.16	Horz(CT)	0.02	4	n/a		
BCDL 10.0	Code IRC2015/TPI2014		Matrix-AS	Wind(LL)	0.14	6-9	>999	Weight: 93 lb	FT = 20%

LUMBER-
TOP CHORD 2x6 SP No.2
BOT CHORD 2x4 SP No.2
WEBS 2x4 SP No.3
WEDGE
Left: 2x4 SP No.3, Right: 2x4 SP No.3

BRACING-
TOP CHORD Structural wood sheathing directly applied.
BOT CHORD Rigid ceiling directly applied.

REACTIONS. (size) 2=0-3-8, 4=0-3-8
Max Horz 2=-133(LC 13)
Max Uplift 2=-394(LC 12), 4=-394(LC 13)
Max Grav 2=836(LC 1), 4=836(LC 1)

FORCES. (lb) - Max. Comp./Max. Ten. - All forces 250 (lb) or less except when shown.
TOP CHORD 2-3=-1220/790, 3-4=-1220/790
BOT CHORD 2-6=-538/1034, 4-6=-538/1034
WEBS 3-6=0/407

- NOTES-**
- 1) Unbalanced roof live loads have been considered for this design.
 - 2) Wind: ASCE 7-10; Vult=150mph (3-second gust) Vasd=119mph; TCCL=6.0psf; BCDL=6.0psf; h=25ft; Cat. II; Exp C; Enclosed; MWFRS (envelope) gable end zone and C-C Exterior(2) zone; end vertical left and right exposed;C-C for members and forces & MWFRS for reactions shown; Lumber DOL=1.60 plate grip DOL=1.60
 - 3) This truss has been designed for a 10.0 psf bottom chord live load nonconcurrent with any other live loads.
 - 4) * This truss has been designed for a live load of 20.0psf on the bottom chord in all areas where a rectangle 3-6-0 tall by 2-0-0 wide will fit between the bottom chord and any other members.
 - 5) Provide mechanical connection (by others) of truss to bearing plate capable of withstanding 100 lb uplift at joint(s) except (it=lb) 2=394, 4=394.
 - 6) This truss design requires that a minimum of 7/16" structural wood sheathing be applied directly to the top chord and 1/2" gypsum sheetrock be applied directly to the bottom chord.

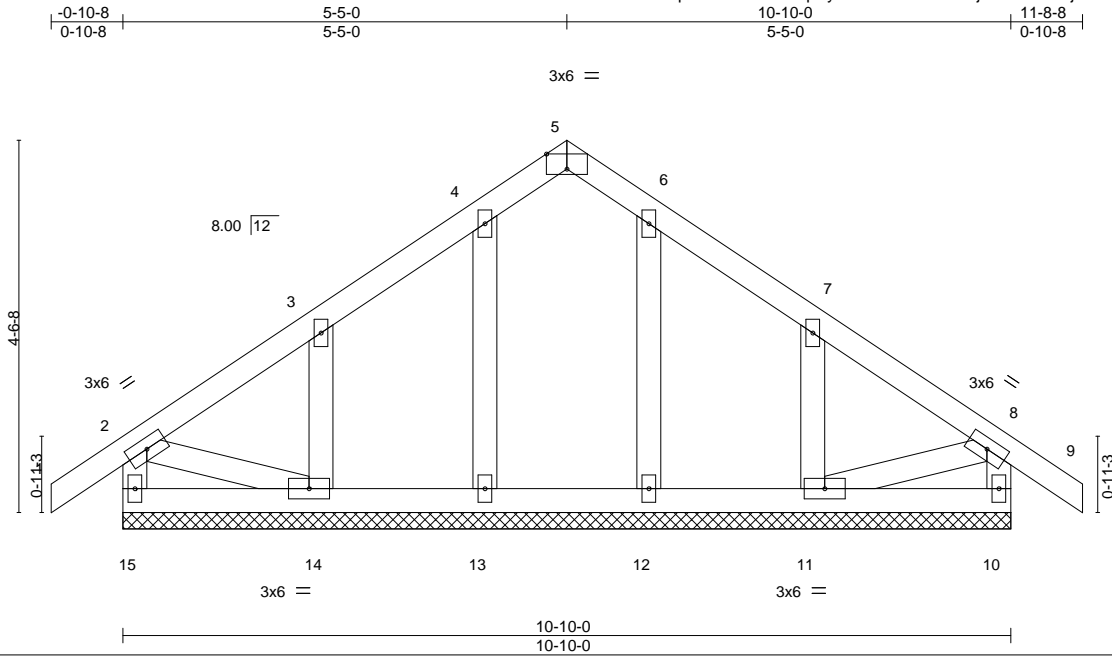


Job 2434740	Truss H01	Truss Type GABLE	Qty 9	Ply 1	H&H/Kenzie/ Job Reference (optional)	I42553566
----------------	--------------	---------------------	----------	----------	---	-----------

Builders FirstSource, Sumter, SC - 29153,

8.240 s Mar 9 2020 MiTek Industries, Inc. Mon Aug 24 13:45:58 2020 Page 1

ID:2zFdWTuXpJBB?1X9xOWCpYycTNe-bUefDfttRESjZxak9hl7PBjNxEIa6zKWH7mNfykd_N



Scale = 1:28.1

Plate Offsets (X,Y)--	5:0-3-0,Edge								
LOADING (psf)	SPACING-	2-0-0	CSI.	DEFL.	in (loc)	l/defl	L/d	PLATES	GRIP
TCLL 20.0	Plate Grip DOL	1.15	TC 0.12	Vert(LL)	-0.00	9	n/r	MT20	244/190
TCDL 10.0	Lumber DOL	1.15	BC 0.05	Vert(CT)	-0.00	9	n/r		
BCLL 0.0 *	Rep Stress Incr	YES	WB 0.06	Horz(CT)	0.00	10	n/a		
BCDL 10.0	Code IRC2015/TPI2014		Matrix-S					Weight: 63 lb	FT = 20%

LUMBER-
TOP CHORD 2x4 SP No.2
BOT CHORD 2x4 SP No.2
WEBS 2x4 SP No.3
OTHERS 2x4 SP No.3

BRACING-
TOP CHORD Structural wood sheathing directly applied or 6-0-0 oc purlins, except end verticals.
BOT CHORD Rigid ceiling directly applied or 10-0-0 oc bracing.

REACTIONS. All bearings 10-10-0.
(lb) - Max Horz 15=-232(LC 10)
Max Uplift All uplift 100 lb or less at joint(s) 15, 10, 13, 12 except 14=-239(LC 12), 11=-238(LC 13)
Max Grav All reactions 250 lb or less at joint(s) 15, 10, 13, 14, 12, 11

FORCES. (lb) - Max. Comp./Max. Ten. - All forces 250 (lb) or less except when shown.
WEBS 3-14=-253/210, 7-11=-252/211

- NOTES-**
- Unbalanced roof live loads have been considered for this design.
 - Wind: ASCE 7-10; Vult=150mph (3-second gust) Vasd=119mph; TC DL=6.0psf; BCDL=6.0psf; h=25ft; Cat. II; Exp C; Enclosed; MWFRS (envelope) gable end zone and C-C Exterior(2) zone; end vertical left and right exposed; C-C for members and forces & MWFRS for reactions shown; Lumber DOL=1.60 plate grip DOL=1.60
 - Truss designed for wind loads in the plane of the truss only. For studs exposed to wind (normal to the face), see Standard Industry Gable End Details as applicable, or consult qualified building designer as per ANSI/TPI 1.
 - All plates are 2x4 MT20 unless otherwise indicated.
 - Gable requires continuous bottom chord bearing.
 - Truss to be fully sheathed from one face or securely braced against lateral movement (i.e. diagonal web).
 - Gable studs spaced at 2-0-0 oc.
 - This truss has been designed for a 10.0 psf bottom chord live load nonconcurrent with any other live loads.
 - * This truss has been designed for a live load of 20.0psf on the bottom chord in all areas where a rectangle 3-6-0 tall by 2-0-0 wide will fit between the bottom chord and any other members.
 - Provide mechanical connection (by others) of truss to bearing plate capable of withstanding 100 lb uplift at joint(s) 15, 10, 13, 12 except (jt=lb) 14=239, 11=238.



August 24, 2020

WARNING - Verify design parameters and READ NOTES ON THIS AND INCLUDED MITEK REFERENCE PAGE MII-7473 rev. 5/19/2020 BEFORE USE.
Design valid for use only with MiTek® connectors. This design is based only upon parameters shown, and is for an individual building component, not a truss system. Before use, the building designer must verify the applicability of design parameters and properly incorporate this design into the overall building design. Bracing indicated is to prevent buckling of individual truss web and/or chord members only. Additional temporary and permanent bracing is always required for stability and to prevent collapse with possible personal injury and property damage. For general guidance regarding the fabrication, storage, delivery, erection and bracing of trusses and truss systems, see **ANSI/TPI1 Quality Criteria, DSB-89 and BCSI Building Component Safety Information** available from Truss Plate Institute, 2670 Crain Highway, Suite 203 Waldorf, MD 20601



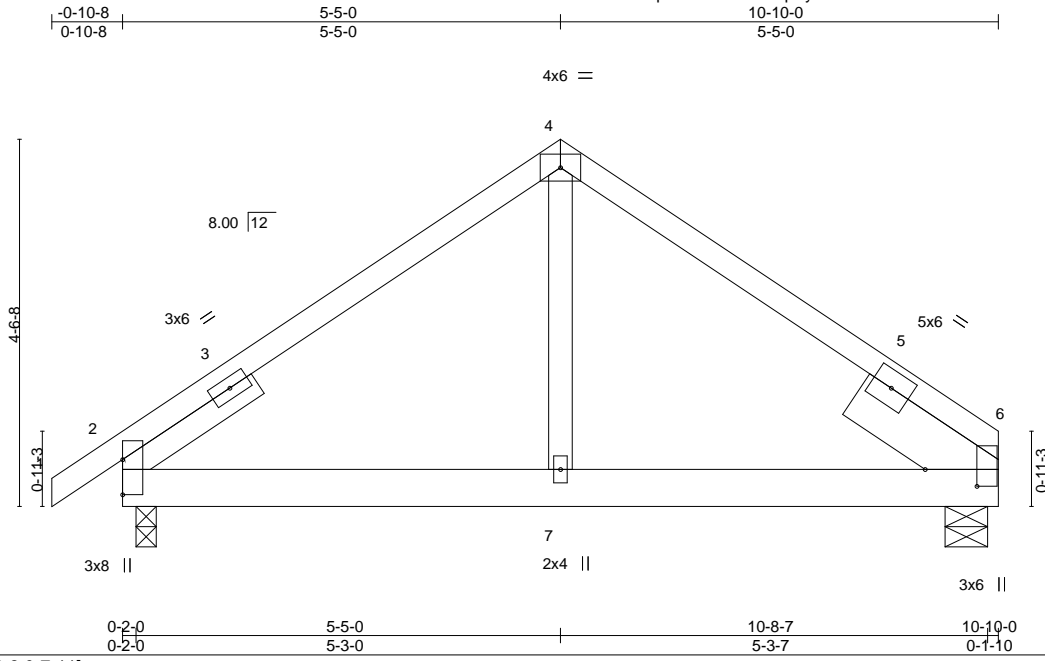
818 Soundside Road
Edenton, NC 27932

Job 2434740	Truss H02	Truss Type Common	Qty 9	Ply 1	H&H/Kenzie/ Job Reference (optional)	142553567
----------------	--------------	----------------------	----------	----------	---	-----------

Builders FirstSource, Sumter, SC - 29153,

8.240 s Mar 9 2020 MiTek Industries, Inc. Mon Aug 24 13:46:00 2020 Page 1

ID:2zFdWTuXpJBB?1X9xOWCpYycTNe-XtlQeLv7zriRoFk7H5nbVcogY7tS2zuczbctSYykd_L



Scale = 1:28.5

Plate Offsets (X,Y)--	[6:0-2-8,0-7-11]								
LOADING (psf)	SPACING-	2-0-0	CSI.	DEFL.	in (loc)	l/defl	L/d	PLATES	GRIP
TCLL 20.0	Plate Grip DOL 1.15		TC 0.31	Vert(LL) 0.03	7-16	>999	240	MT20	244/190
TCDL 10.0	Lumber DOL 1.15		BC 0.20	Vert(CT) -0.02	7-16	>999	240		
BCLL 0.0 *	Rep Stress Incr YES		WB 0.16	Horz(CT) -0.01	2	n/a	n/a		
BCDL 10.0	Code IRC2015/TPI2014		Matrix-AS					Weight: 61 lb	FT = 20%

LUMBER-
TOP CHORD 2x4 SP No.2
BOT CHORD 2x6 SP No.2
WEBS 2x4 SP No.3
SLIDER Left 2x4 SP No.3 1-11-12, Right 2x8 SP DSS 1-11-12

BRACING-
TOP CHORD Structural wood sheathing directly applied.
BOT CHORD Rigid ceiling directly applied.

REACTIONS. (size) 6=0-6-5, 2=0-3-0
Max Horz 2=178(LC 11)
Max Uplift 6=189(LC 13), 2=219(LC 12)
Max Grav 6=448(LC 1), 2=472(LC 1)

FORCES. (lb) - Max. Comp./Max. Ten. - All forces 250 (lb) or less except when shown.
TOP CHORD 2-4=-434/703, 4-6=-443/715
BOT CHORD 2-7=-431/293, 6-7=-431/293
WEBS 4-7=-505/212

- NOTES-**
- Unbalanced roof live loads have been considered for this design.
 - Wind: ASCE 7-10; Vult=150mph (3-second gust) Vasd=119mph; TC DL=6.0psf; BCDL=6.0psf; h=25ft; Cat. II; Exp C; Enclosed; MWFRS (envelope) gable end zone and C-C Exterior(2) zone; cantilever left exposed; end vertical left and right exposed; porch left exposed; C-C for members and forces & MWFRS for reactions shown; Lumber DOL=1.60 plate grip DOL=1.60
 - This truss has been designed for a 10.0 psf bottom chord live load nonconcurrent with any other live loads.
 - * This truss has been designed for a live load of 20.0psf on the bottom chord in all areas where a rectangle 3-6-0 tall by 2-0-0 wide will fit between the bottom chord and any other members.
 - Provide mechanical connection (by others) of truss to bearing plate capable of withstanding 100 lb uplift at joint(s) except (jt=lb) 6=189, 2=219.
 - This truss design requires that a minimum of 7/16" structural wood sheathing be applied directly to the top chord and 1/2" gypsum sheetrock be applied directly to the bottom chord.



Job 2434740	Truss H03	Truss Type Common	Qty 9	Ply 1	H&H/Kenzie/ Job Reference (optional)	I42553568
----------------	--------------	----------------------	----------	----------	---	-----------

Builders FirstSource, Sumter, SC - 29153,

8.240 s Mar 9 2020 MiTek Industries, Inc. Mon Aug 24 13:46:01 2020 Page 1

ID:2zFdWTuXpJBB?1X9xOWCpYycTNe-03Joshvlk9qlQOJrplq1pLqWXDbnQ1mCFMQ__ykd_K



4x6 =

Scale = 1:28.5

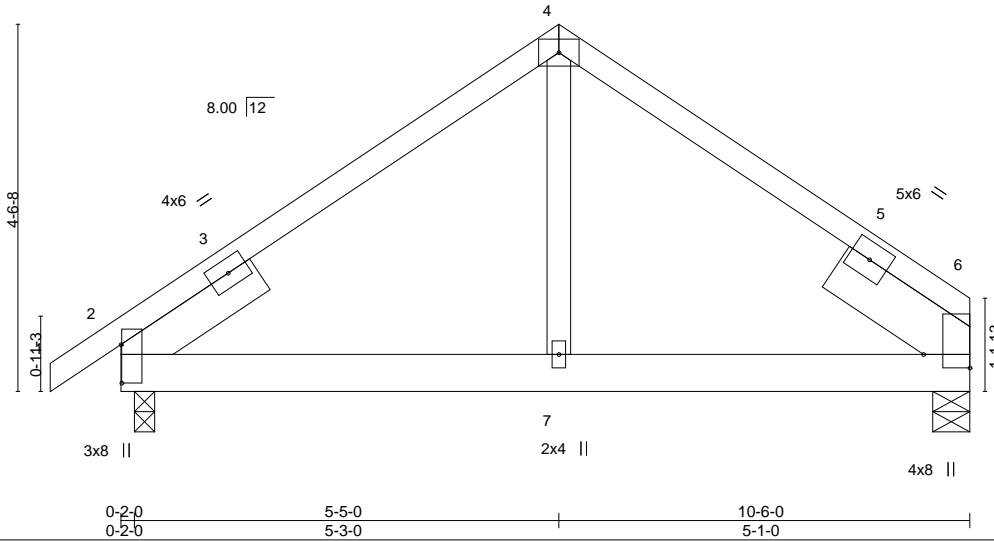


Plate Offsets (X,Y)--	[2:0-5-11,0-0-2], [6:Edge,0-6-14]
-----------------------	-----------------------------------

LOADING (psf)	SPACING-	CSI.	DEFL.	PLATES	GRIP
TCLL 20.0	2-0-0	TC 0.29	in (loc) l/defl L/d	MT20	244/190
TCDL 10.0	Plate Grip DOL 1.15	BC 0.20	Vert(LL) 0.03 7-14 >999 240		
BCLL 0.0 *	Lumber DOL 1.15	WB 0.17	Vert(CT) -0.02 7-14 >999 240		
BCDL 10.0	Rep Stress Incr YES	Matrix-AS	Horz(CT) -0.01 6 n/a n/a		
	Code IRC2015/TPI2014			Weight: 62 lb	FT = 20%

LUMBER-	BRACING-
TOP CHORD 2x4 SP No.2	TOP CHORD Structural wood sheathing directly applied.
BOT CHORD 2x6 SP No.2	BOT CHORD Rigid ceiling directly applied.
WEBS 2x4 SP No.3	
SLIDER Left 2x6 SP No.2 1-11-12, Right 2x8 SP DSS 1-11-12	

REACTIONS. (size) 6=0-5-8, 2=0-3-0
 Max Horz 2=176(LC 9)
 Max Uplift 6=-173(LC 13), 2=-219(LC 12)
 Max Grav 6=418(LC 1), 2=475(LC 1)

FORCES. (lb) - Max. Comp./Max. Ten. - All forces 250 (lb) or less except when shown.
 TOP CHORD 2-4=-446/720, 4-6=-453/730
 BOT CHORD 2-7=-457/300, 6-7=-457/300
 WEBS 4-7=-527/218

- NOTES-**
- Unbalanced roof live loads have been considered for this design.
 - Wind: ASCE 7-10; Vult=150mph (3-second gust) Vasd=119mph; TC DL=6.0psf; BCDL=6.0psf; h=25ft; Cat. II; Exp C; Enclosed; MWFRS (envelope) gable end zone and C-C Exterior(2) zone; cantilever left exposed; end vertical left and right exposed; porch left and right exposed; C-C for members and forces & MWFRS for reactions shown; Lumber DOL=1.60 plate grip DOL=1.60
 - This truss has been designed for a 10.0 psf bottom chord live load nonconcurrent with any other live loads.
 - * This truss has been designed for a live load of 20.0psf on the bottom chord in all areas where a rectangle 3-6-0 tall by 2-0-0 wide will fit between the bottom chord and any other members.
 - Provide mechanical connection (by others) of truss to bearing plate capable of withstanding 100 lb uplift at joint(s) except (jt=lb) 6=173, 2=219.
 - This truss design requires that a minimum of 7/16" structural wood sheathing be applied directly to the top chord and 1/2" gypsum sheetrock be applied directly to the bottom chord.

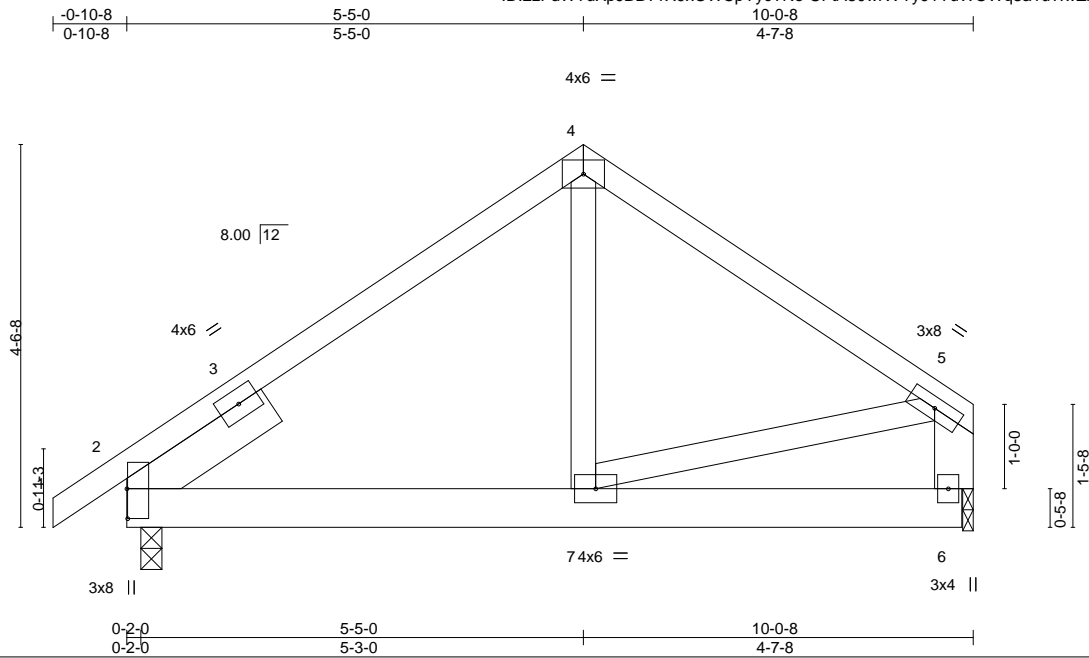


Job 2434740	Truss H04	Truss Type Common	Qty 18	Ply 1	H&H/Kenzie/ Job Reference (optional)	I42553569
----------------	--------------	----------------------	-----------	----------	---	-----------

Builders FirstSource, Sumter, SC - 29153,

8.240 s Mar 9 2020 MiTek Industries, Inc. Mon Aug 24 13:46:02 2020 Page 1

ID:2zFdWTuXpJBB?1X9xOWCpYycTNe-UFTa30wNVty91YuWOWq3a1u?lwZmWtrvRv5zWQykd_J



Scale = 1:27.3

Plate Offsets (X,Y)--	[2:0-4-4,0-0-2]							
LOADING (psf)	SPACING-	2-0-0	CSI.	DEFL.	in	(loc)	l/defl	L/d
TCLL 20.0	Plate Grip DOL 1.15		TC 0.29	Vert(LL) 0.03	7-10	>999	240	PLATES
TCDL 10.0	Lumber DOL 1.15		BC 0.21	Vert(CT) -0.02	7-10	>999	240	GRIP
BCLL 0.0 *	Rep Stress Incr YES		WB 0.13	Horz(CT) -0.01	2	n/a	n/a	MT20
BCDL 10.0	Code IRC2015/TPI2014		Matrix-AS					244/190
								Weight: 62 lb
								FT = 20%

LUMBER-	BRACING-
TOP CHORD 2x4 SP No.2	TOP CHORD Structural wood sheathing directly applied, except end verticals.
BOT CHORD 2x6 SP No.2	BOT CHORD Rigid ceiling directly applied.
WEBS 2x4 SP No.3 *Except*	
5-6: 2x6 SP No.2	
SLIDER Left 2x6 SP No.2 1-11-12	

REACTIONS. (size) 2=0-3-0, 6=0-1-8
 Max Horz 2=174(LC 9)
 Max Uplift 2=-208(LC 12), 6=-156(LC 13)
 Max Grav 2=447(LC 1), 6=390(LC 1)

FORCES. (lb) - Max. Comp./Max. Ten. - All forces 250 (lb) or less except when shown.
 TOP CHORD 2-4=-386/634, 4-5=-413/640, 5-6=-420/548
 BOT CHORD 2-7=-420/264
 WEBS 4-7=-416/177, 5-7=-290/209

NOTES-

- 1) Unbalanced roof live loads have been considered for this design.
- 2) Wind: ASCE 7-10; Vult=150mph (3-second gust) Vasd=119mph; TCCL=6.0psf; BCDL=6.0psf; h=25ft; Cat. II; Exp C; Enclosed; MWFRS (envelope) gable end zone and C-C Exterior(2) zone; cantilever left exposed; end vertical left exposed; porch left and right exposed; C-C for members and forces & MWFRS for reactions shown; Lumber DOL=1.60 plate grip DOL=1.60
- 3) This truss has been designed for a 10.0 psf bottom chord live load nonconcurrent with any other live loads.
- 4) * This truss has been designed for a live load of 20.0psf on the bottom chord in all areas where a rectangle 3-6-0 tall by 2-0-0 wide will fit between the bottom chord and any other members.
- 5) Bearing at joint(s) 6 considers parallel to grain value using ANSI/TPI 1 angle to grain formula. Building designer should verify capacity of bearing surface.
- 6) Provide mechanical connection (by others) of truss to bearing plate at joint(s) 6.
- 7) Provide mechanical connection (by others) of truss to bearing plate capable of withstanding 100 lb uplift at joint(s) except (it=lb) 2=208, 6=156.
- 8) This truss design requires that a minimum of 7/16" structural wood sheathing be applied directly to the top chord and 1/2" gypsum sheetrock be applied directly to the bottom chord.



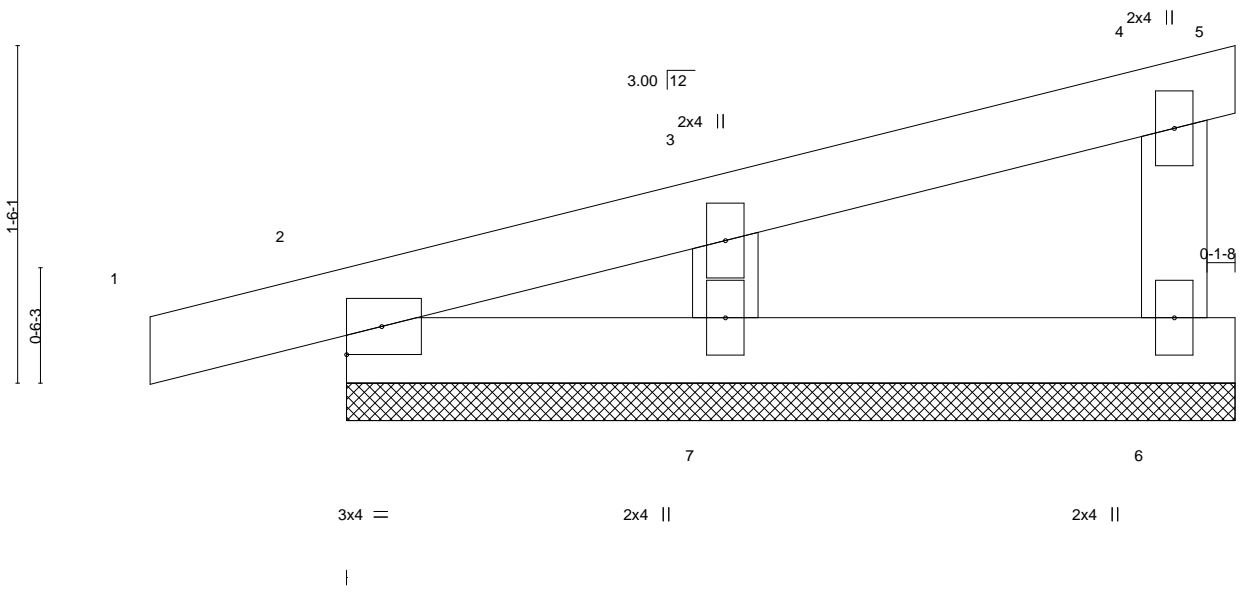
August 24, 2020

Job 2434740	Truss J01	Truss Type Monopitch Supported Gable	Qty 9	Ply 1	H&H/Kenzie/ Job Reference (optional)	142553570
----------------	--------------	---	----------	----------	---	-----------

Builders FirstSource, Sumter, SC - 29153,

8.240 s Mar 9 2020 MiTek Industries, Inc. Mon Aug 24 13:46:02 2020 Page 1

ID:2zFdWtUxPjBB?1X9xOWCpYycTNe-UFA30wNVTy91YuWOWq3a1u3twcUWuwvRv5zWQykd_J



Scale = 1:10.3

LOADING (psf)	SPACING-	2-0-0	CSI.	DEFL.	in (loc)	l/defl	L/d	PLATES	GRIP	
TCLL 20.0	Plate Grip DOL	1.15	TC 0.06	Vert(LL)	0.00	4	n/r	120	MT20	244/190
TCDL 10.0	Lumber DOL	1.15	BC 0.03	Vert(CT)	0.00	4	n/r	120		
BCLL 0.0 *	Rep Stress Incr	YES	WB 0.07	Horz(CT)	0.00	6	n/a	n/a		
BCDL 10.0	Code IRC2015/TPI2014		Matrix-P						Weight: 15 lb	FT = 20%

LUMBER-
 TOP CHORD 2x4 SP No.2
 BOT CHORD 2x4 SP No.2
 WEBS 2x4 SP No.3

BRACING-
 TOP CHORD Structural wood sheathing directly applied or 3-11-8 oc purlins, except end verticals.
 BOT CHORD Rigid ceiling directly applied or 10-0-0 oc bracing.

REACTIONS. (size) 6=3-11-8, 2=3-11-8, 7=3-11-8
 Max Horz 2=86(LC 9)
 Max Uplift 6=52(LC 8), 2=103(LC 8), 7=106(LC 12)
 Max Grav 6=71(LC 1), 2=117(LC 1), 7=165(LC 1)

FORCES. (lb) - Max. Comp./Max. Ten. - All forces 250 (lb) or less except when shown.

NOTES-

- 1) Wind: ASCE 7-10; Vult=150mph (3-second gust) Vasd=119mph; TCDL=6.0psf; BCDL=6.0psf; h=25ft; Cat. II; Exp C; Enclosed; MWFRS (envelope) gable end zone and C-C Exterior(2) zone; end vertical left and right exposed; C-C for members and forces & MWFRS for reactions shown; Lumber DOL=1.60 plate grip DOL=1.60
- 2) Truss designed for wind loads in the plane of the truss only. For studs exposed to wind (normal to the face), see Standard Industry Gable End Details as applicable, or consult qualified building designer as per ANSI/TPI 1.
- 3) Gable requires continuous bottom chord bearing.
- 4) Gable studs spaced at 2-0-0 oc.
- 5) This truss has been designed for a 10.0 psf bottom chord live load nonconcurrent with any other live loads.
- 6) * This truss has been designed for a live load of 20.0psf on the bottom chord in all areas where a rectangle 3-6-0 tall by 2-0-0 wide will fit between the bottom chord and any other members.
- 7) Provide mechanical connection (by others) of truss to bearing plate capable of withstanding 100 lb uplift at joint(s) 6 except (jt=lb) 2=103, 7=106.



August 24, 2020

WARNING - Verify design parameters and READ NOTES ON THIS AND INCLUDED MITEK REFERENCE PAGE MII-7473 rev. 5/19/2020 BEFORE USE.
 Design valid for use only with MiTek® connectors. This design is based only upon parameters shown, and is for an individual building component, not a truss system. Before use, the building designer must verify the applicability of design parameters and properly incorporate this design into the overall building design. Bracing indicated is to prevent buckling of individual truss web and/or chord members only. Additional temporary and permanent bracing is always required for stability and to prevent collapse with possible personal injury and property damage. For general guidance regarding the fabrication, storage, delivery, erection and bracing of trusses and truss systems, see **ANSI/TPI1 Quality Criteria, DSB-89 and BCSI Building Component Safety Information** available from Truss Plate Institute, 2670 Crain Highway, Suite 203 Waldorf, MD 20601

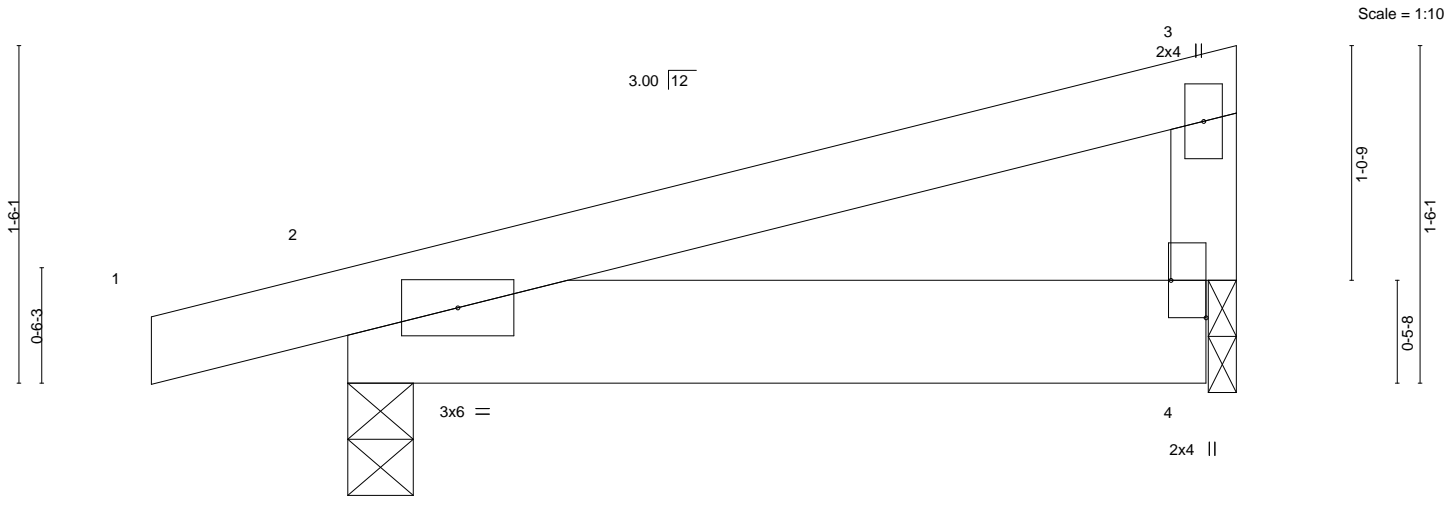


Job 2434740	Truss J02	Truss Type Monopitch	Qty 48	Ply 1	H&H/Kenzie/ Job Reference (optional)	142553571
----------------	--------------	-------------------------	-----------	----------	---	-----------

Builders FirstSource, Sumter, SC - 29153,

8.240 s Mar 9 2020 MiTek Industries, Inc. Mon Aug 24 13:46:04 2020 Page 1

ID:2zFdWTuXpJBB?1X9xOWCpYycTNe-Qe?xUiye14CsHs2uWxsXfSzNKKGf_pQCuDa4bJykd_H



Scale = 1:10.3

Plate Offsets (X,Y)-- [4:Edge,0-1-14]		CSI.		DEFL.		PLATES	GRIP
LOADING (psf)	SPACING- 2-0-0	TC 0.13	in (loc)	l/defl	L/d	MT20	244/190
TCLL 20.0	Plate Grip DOL 1.15	BC 0.12	Vert(LL) 0.01	4-7 >999	240		
TCDL 10.0	Lumber DOL 1.15	WB 0.00	Vert(CT) -0.01	4-7 >999	240		
BCLL 0.0 *	Rep Stress Incr YES	Matrix-MP	Horz(CT) -0.00	2 n/a n/a			
BCDL 10.0	Code IRC2015/TPI2014					Weight: 18 lb	FT = 20%

LUMBER-	BRACING-
TOP CHORD 2x4 SP No.2	TOP CHORD Structural wood sheathing directly applied or 3-11-8 oc purlins, except end verticals.
BOT CHORD 2x6 SP No.2	BOT CHORD Rigid ceiling directly applied or 10-0-0 oc bracing.
WEBS 2x4 SP No.3	

REACTIONS. (size) 2=0-3-8, 4=0-1-8
 Max Horz 2=84(LC 11)
 Max Uplift 2=-160(LC 8), 4=-87(LC 12)
 Max Grav 2=211(LC 1), 4=146(LC 1)

FORCES. (lb) - Max. Comp./Max. Ten. - All forces 250 (lb) or less except when shown.

NOTES-

- 1) Wind: ASCE 7-10; Vult=150mph (3-second gust) Vasd=119mph; TCDL=6.0psf; BCDL=6.0psf; h=25ft; Cat. II; Exp C; Enclosed; MWFRS (envelope) gable end zone and C-C Exterior(2) zone; end vertical left and right exposed;C-C for members and forces & MWFRS for reactions shown; Lumber DOL=1.60 plate grip DOL=1.60
- 2) This truss has been designed for a 10.0 psf bottom chord live load nonconcurrent with any other live loads.
- 3) * This truss has been designed for a live load of 20.0psf on the bottom chord in all areas where a rectangle 3-6-0 tall by 2-0-0 wide will fit between the bottom chord and any other members.
- 4) Bearing at joint(s) 4 considers parallel to grain value using ANSI/TPI 1 angle to grain formula. Building designer should verify capacity of bearing surface.
- 5) Provide mechanical connection (by others) of truss to bearing plate at joint(s) 4.
- 6) Provide mechanical connection (by others) of truss to bearing plate capable of withstanding 100 lb uplift at joint(s) 4 except (jt=lb) 2=160.



Job 2434740	Truss J03	Truss Type Half Hip	Qty 42	Ply 1	H&H/Kenzie/ Job Reference (optional)	I42553572
----------------	--------------	------------------------	-----------	----------	---	-----------

Builders FirstSource, Sumter, SC - 29153,

8.240 s Mar 9 2020 MiTek Industries, Inc. Mon Aug 24 13:46:05 2020 Page 1

ID:2zFdWTuXpJBB?1X9xOWCpYycTNe-uzZj2zGoOKju0d44fNmCfWZX8cGjGhM7sKd7lykd_G

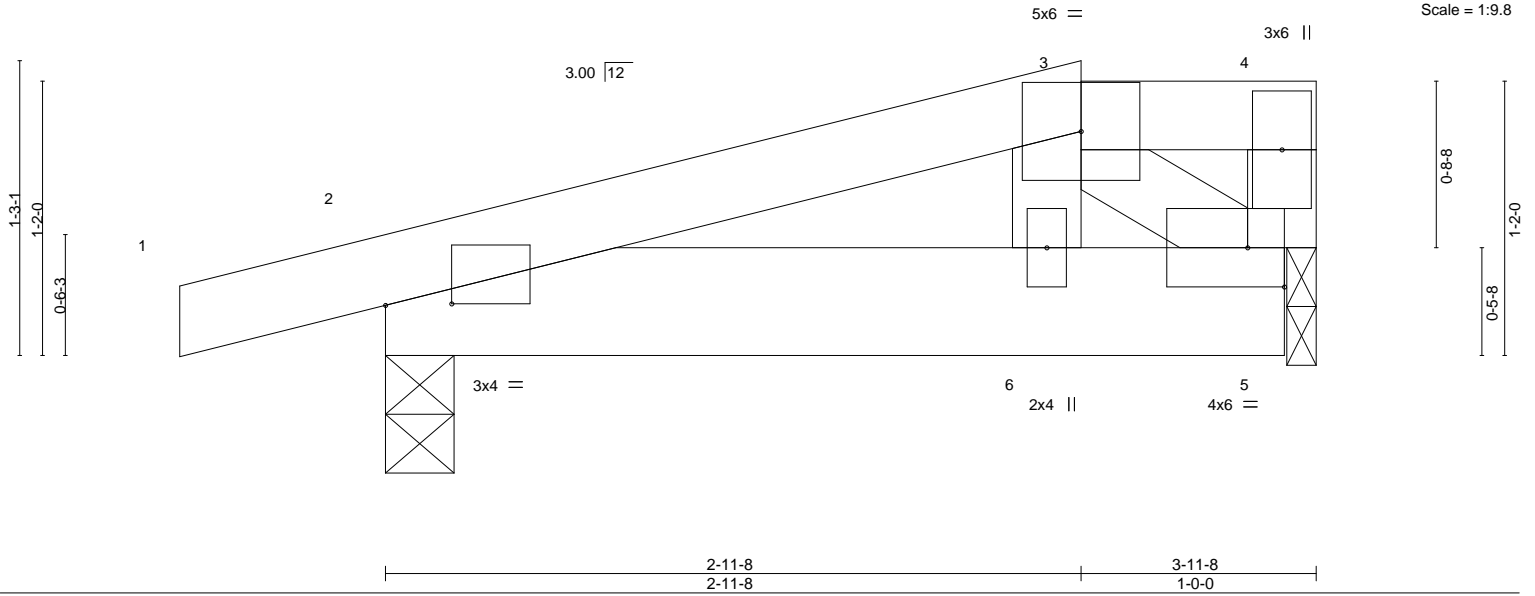
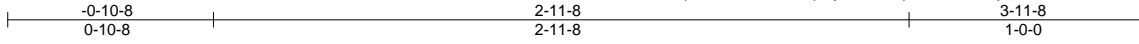


Plate Offsets (X,Y)-- [2:0-3-6,0-0-1]

LOADING (psf)	SPACING-	2-0-0	CSI.	DEFL.	in	(loc)	l/defl	L/d	PLATES	GRIP
TCLL 20.0	Plate Grip DOL	1.15	TC 0.10	Vert(LL)	-0.00	9	>999	360	MT20	244/190
TCDL 10.0	Lumber DOL	1.15	BC 0.09	Vert(CT)	-0.00	9	>999	240		
BCLL 0.0 *	Rep Stress Incr	NO	WB 0.06	Horz(CT)	0.00	2	n/a	n/a		
BCDL 10.0	Code IRC2015/TPI2014		Matrix-MP	Wind(LL)	0.00	9	>999	240	Weight: 19 lb	FT = 20%

LUMBER-
 TOP CHORD 2x4 SP No.2
 BOT CHORD 2x6 SP No.2
 WEBS 2x4 SP No.3

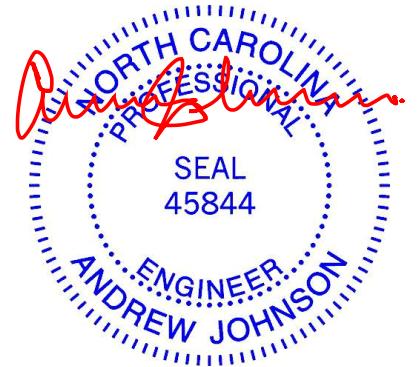
BRACING-
 TOP CHORD Structural wood sheathing directly applied or 3-11-8 oc purlins, except end verticals, and 2-0-0 oc purlins: 3-4.
 BOT CHORD Rigid ceiling directly applied or 10-0-0 oc bracing.

REACTIONS. (size) 4=0-1-8, 2=0-3-8
 Max Horz 2=61(LC 11)
 Max Uplift 2=-132(LC 8)
 Max Grav 4=282(LC 2), 2=247(LC 1)

FORCES. (lb) - Max. Comp./Max. Ten. - All forces 250 (lb) or less except when shown.
 TOP CHORD 2-3=-258/64
 WEBS 3-5=-321/75

- NOTES-**
- 1) Unbalanced roof live loads have been considered for this design.
 - 2) Wind: ASCE 7-10; Vult=150mph (3-second gust) Vasd=119mph; TCCL=6.0psf; BCCL=6.0psf; h=25ft; Cat. II; Exp C; Enclosed; MWFRS (envelope) gable end zone; end vertical left and right exposed; Lumber DOL=1.60 plate grip DOL=1.60
 - 3) C-C wind load user defined.
 - 4) Provide adequate drainage to prevent water ponding.
 - 5) This truss has been designed for a 10.0 psf bottom chord live load nonconcurrent with any other live loads.
 - 6) * This truss has been designed for a live load of 20.0psf on the bottom chord in all areas where a rectangle 3-6-0 tall by 2-0-0 wide will fit between the bottom chord and any other members.
 - 7) Bearing at joint(s) 4 considers parallel to grain value using ANSI/TPI 1 angle to grain formula. Building designer should verify capacity of bearing surface.
 - 8) Provide mechanical connection (by others) of truss to bearing plate at joint(s) 4.
 - 9) Provide mechanical connection (by others) of truss to bearing plate capable of withstanding 100 lb uplift at joint(s) except (jt=lb) 2=132.
 - 10) Load case(s) 1, 2, 3, 4, 5, 6, 7, 8, 9, 10, 11, 12, 13, 14, 15, 16, 17, 18, 19, 20, 21, 22, 23, 24, 25, 26 has/have been modified. Building designer must review loads to verify that they are correct for the intended use of this truss.
 - 11) Graphical purlin representation does not depict the size or the orientation of the purlin along the top and/or bottom chord.
 - 12) Gap between inside of top chord bearing and first diagonal or vertical web shall not exceed 0.500in.

LOAD CASE(S)
 1) Dead + Roof Live (balanced): Lumber Increase=1.15, Plate Increase=1.15
 Uniform Loads (plf)
 Vert: 1-3=-60, 3-4=-80, 5-7=-20
 Concentrated Loads (lb)
 Vert: 3=-150



August 24, 2020

Continued on page 2

WARNING - Verify design parameters and READ NOTES ON THIS AND INCLUDED MITEK REFERENCE PAGE MII-7473 rev. 5/19/2020 BEFORE USE.
 Design valid for use only with MiTek® connectors. This design is based only upon parameters shown, and is for an individual building component, not a truss system. Before use, the building designer must verify the applicability of design parameters and properly incorporate this design into the overall building design. Bracing indicated is to prevent buckling of individual truss web and/or chord members only. Additional temporary and permanent bracing is always required for stability and to prevent collapse with possible personal injury and property damage. For general guidance regarding the fabrication, storage, delivery, erection and bracing of trusses and truss systems, see **ANSI/TPI1 Quality Criteria, DSB-89 and BCSI Building Component Safety Information** available from Truss Plate Institute, 2670 Crain Highway, Suite 203 Waldorf, MD 20601



818 Soundside Road
 Edenton, NC 27932

Job	Truss	Truss Type	Qty	Ply	H&H/Kenzie/	
2434740	J03	Half Hip	42	1		I42553572
						Job Reference (optional)

Builders FirstSource, Sumter, SC - 29153,

8.240 s Mar 9 2020 MiTek Industries, Inc. Mon Aug 24 13:46:05 2020 Page 2

ID:2zFdWtUxPjBB?1X9xOWCpYycTNe-uuZJh2zGoOKju0d44fNmCFWZX8cGjGhM7sKd7lykd_G

LOAD CASE(S)

- 2) Dead + 0.75 Roof Live (balanced) + 0.75 Attic Floor: Lumber Increase=1.15, Plate Increase=1.15
Uniform Loads (plf)
Vert: 1-3=-50, 3-4=-99, 5-7=-20
Concentrated Loads (lb)
Vert: 4=-15 3=-130
- 3) Dead + Uninhabitable Attic Without Storage: Lumber Increase=1.25, Plate Increase=1.25
Uniform Loads (plf)
Vert: 1-3=-20, 3-4=-40, 5-7=-40
Concentrated Loads (lb)
Vert: 3=-130
- 4) Dead + 0.6 C-C Wind (Pos. Internal) Case 1: Lumber Increase=1.60, Plate Increase=1.60
Uniform Loads (plf)
Vert: 1-2=110, 2-3=92, 3-4=86, 5-7=-12
Horz: 1-2=-122, 2-3=-104, 3-4=110, 4-5=71
Concentrated Loads (lb)
Vert: 3=-130
- 5) Dead + 0.6 C-C Wind (Pos. Internal) Case 2: Lumber Increase=1.60, Plate Increase=1.60
Uniform Loads (plf)
Vert: 1-2=82, 2-3=92, 3-4=86, 5-7=-12
Horz: 1-2=-94, 2-3=-104, 3-4=110, 4-5=-46
Concentrated Loads (lb)
Vert: 3=-130
- 6) Dead + 0.6 C-C Wind (Neg. Internal) Case 1: Lumber Increase=1.60, Plate Increase=1.60
Uniform Loads (plf)
Vert: 1-2=8, 2-3=-58, 3-4=-59, 5-7=-20
Horz: 1-2=-28, 2-3=38, 3-4=-27, 4-5=-66
Concentrated Loads (lb)
Vert: 3=-130
- 7) Dead + 0.6 C-C Wind (Neg. Internal) Case 2: Lumber Increase=1.60, Plate Increase=1.60
Uniform Loads (plf)
Vert: 1-2=-48, 2-3=-58, 3-4=-59, 5-7=-20
Horz: 1-2=28, 2-3=38, 3-4=-27, 4-5=51
Concentrated Loads (lb)
Vert: 3=-130
- 8) Dead + 0.6 MWFRS Wind (Pos. Internal) Left: Lumber Increase=1.60, Plate Increase=1.60
Uniform Loads (plf)
Vert: 1-2=80, 2-3=57, 3-4=45, 5-7=-12
Horz: 1-2=-92, 2-3=-69, 3-4=69, 4-5=37
Concentrated Loads (lb)
Vert: 3=-130
- 9) Dead + 0.6 MWFRS Wind (Pos. Internal) Right: Lumber Increase=1.60, Plate Increase=1.60
Uniform Loads (plf)
Vert: 1-2=23, 2-3=33, 3-4=45, 5-7=-12
Horz: 1-2=-35, 2-3=-45, 3-4=69, 4-5=-28
Concentrated Loads (lb)
Vert: 3=-130
- 10) Dead + 0.6 MWFRS Wind (Neg. Internal) Left: Lumber Increase=1.60, Plate Increase=1.60
Uniform Loads (plf)
Vert: 1-2=39, 2-3=29, 3-4=17, 5-7=-20
Horz: 1-2=-59, 2-3=-49, 3-4=49, 4-5=17
Concentrated Loads (lb)
Vert: 3=-130
- 11) Dead + 0.6 MWFRS Wind (Neg. Internal) Right: Lumber Increase=1.60, Plate Increase=1.60
Uniform Loads (plf)
Vert: 1-2=15, 2-3=5, 3-4=17, 5-7=-20
Horz: 1-2=-35, 2-3=-25, 3-4=49, 4-5=-48
Concentrated Loads (lb)
Vert: 3=-130
- 12) Dead + 0.6 MWFRS Wind (Pos. Internal) 1st Parallel: Lumber Increase=1.60, Plate Increase=1.60
Uniform Loads (plf)
Vert: 1-2=47, 2-3=57, 3-4=15, 5-7=-12
Horz: 1-2=-59, 2-3=-69, 3-4=39, 4-5=34
Concentrated Loads (lb)
Vert: 3=-130
- 13) Dead + 0.6 MWFRS Wind (Pos. Internal) 2nd Parallel: Lumber Increase=1.60, Plate Increase=1.60
Uniform Loads (plf)
Vert: 1-2=17, 2-3=27, 3-4=15, 5-7=-12
Horz: 1-2=-29, 2-3=-39, 3-4=39, 4-5=-24
Concentrated Loads (lb)
Vert: 3=-130
- 14) Dead + 0.6 MWFRS Wind (Pos. Internal) 3rd Parallel: Lumber Increase=1.60, Plate Increase=1.60
Uniform Loads (plf)
Vert: 1-2=47, 2-3=57, 3-4=15, 5-7=-12
Horz: 1-2=-59, 2-3=-69, 3-4=39, 4-5=34
Concentrated Loads (lb)
Vert: 3=-130

Continued on page 3

WARNING - Verify design parameters and READ NOTES ON THIS AND INCLUDED MITEK REFERENCE PAGE MII-7473 rev. 5/19/2020 BEFORE USE.

Design valid for use only with MiTek® connectors. This design is based only upon parameters shown, and is for an individual building component, not a truss system. Before use, the building designer must verify the applicability of design parameters and properly incorporate this design into the overall building design. Bracing indicated is to prevent buckling of individual truss web and/or chord members only. Additional temporary and permanent bracing is always required for stability and to prevent collapse with possible personal injury and property damage. For general guidance regarding the fabrication, storage, delivery, erection and bracing of trusses and truss systems, see **ANSI/TP1 Quality Criteria, DSB-89 and BCSI Building Component Safety Information** available from Truss Plate Institute, 2670 Crain Highway, Suite 203 Waldorf, MD 20601



818 Soundside Road
Edenton, NC 27932

Job	Truss	Truss Type	Qty	Ply	H&H/Kenzie/	
2434740	J03	Half Hip	42	1		I42553572
					Job Reference (optional)	

Builders FirstSource, Sumter, SC - 29153,

8.240 s Mar 9 2020 MiTek Industries, Inc. Mon Aug 24 13:46:05 2020 Page 3
ID:2zFdWTuXpJBB?1X9xOWCpYycTNe-ujZJh2zGoOKju0d44fNmCfWZX8cGjGhM7sKd7lykd_G

LOAD CASE(S)

- 15) Dead + 0.6 MWFRS Wind (Pos. Internal) 4th Parallel: Lumber Increase=1.60, Plate Increase=1.60
Uniform Loads (plf)
Vert: 1-2=17, 2-3=27, 3-4=15, 5-7=-12
Horz: 1-2=-29, 2-3=-39, 3-4=39, 4-5=-24
Concentrated Loads (lb)
Vert: 3=-130
- 16) Dead + 0.6 MWFRS Wind (Neg. Internal) 1st Parallel: Lumber Increase=1.60, Plate Increase=1.60
Uniform Loads (plf)
Vert: 1-2=39, 2-3=29, 3-4=-13, 5-7=-20
Horz: 1-2=-59, 2-3=-49, 3-4=19, 4-5=14
Concentrated Loads (lb)
Vert: 3=-130
- 17) Dead + 0.6 MWFRS Wind (Neg. Internal) 2nd Parallel: Lumber Increase=1.60, Plate Increase=1.60
Uniform Loads (plf)
Vert: 1-2=9, 2-3=-1, 3-4=-13, 5-7=-20
Horz: 1-2=-29, 2-3=-19, 3-4=19, 4-5=-44
Concentrated Loads (lb)
Vert: 3=-130
- 18) Dead: Lumber Increase=0.90, Plate Increase=0.90 Plt. metal=0.90
Uniform Loads (plf)
Vert: 1-3=-20, 3-4=-40, 5-7=-20
Concentrated Loads (lb)
Vert: 3=-130
- 19) Dead + 0.75 Roof Live (bal.) + 0.75 Attic Floor + 0.75(0.6 MWFRS Wind (Neg. Int) Left): Lumber Increase=1.60, Plate Increase=1.60
Uniform Loads (plf)
Vert: 1-2=-5, 2-3=-13, 3-4=-55, 5-7=-20
Horz: 1-2=-45, 2-3=-37, 3-4=37, 4-5=12
Concentrated Loads (lb)
Vert: 4=-15 3=-130
- 20) Dead + 0.75 Roof Live (bal.) + 0.75 Attic Floor + 0.75(0.6 MWFRS Wind (Neg. Int) Right): Lumber Increase=1.60, Plate Increase=1.60
Uniform Loads (plf)
Vert: 1-2=-24, 2-3=-31, 3-4=-55, 5-7=-20
Horz: 1-2=-26, 2-3=-19, 3-4=37, 4-5=-36
Concentrated Loads (lb)
Vert: 4=-15 3=-130
- 21) Dead + 0.75 Roof Live (bal.) + 0.75 Attic Floor + 0.75(0.6 MWFRS Wind (Neg. Int) 1st Parallel): Lumber Increase=1.60, Plate Increase=1.60
Uniform Loads (plf)
Vert: 1-2=-5, 2-3=-13, 3-4=-78, 5-7=-20
Horz: 1-2=-45, 2-3=-37, 3-4=15, 4-5=10
Concentrated Loads (lb)
Vert: 4=-15 3=-130
- 22) Dead + 0.75 Roof Live (bal.) + 0.75 Attic Floor + 0.75(0.6 MWFRS Wind (Neg. Int) 2nd Parallel): Lumber Increase=1.60, Plate Increase=1.60
Uniform Loads (plf)
Vert: 1-2=-28, 2-3=-35, 3-4=-78, 5-7=-20
Horz: 1-2=-22, 2-3=-15, 3-4=15, 4-5=-33
Concentrated Loads (lb)
Vert: 4=-15 3=-130
- 23) 1st Dead + Roof Live (unbalanced): Lumber Increase=1.15, Plate Increase=1.15
Uniform Loads (plf)
Vert: 1-3=-60, 3-4=-80, 5-7=-20
Concentrated Loads (lb)
Vert: 3=-150
- 24) 2nd Dead + Roof Live (unbalanced): Lumber Increase=1.15, Plate Increase=1.15
Uniform Loads (plf)
Vert: 1-3=-20, 3-4=-80, 5-7=-20
Concentrated Loads (lb)
Vert: 3=-150
- 25) 3rd Dead + 0.75 Roof Live (unbalanced) + 0.75 Attic Floor: Lumber Increase=1.15, Plate Increase=1.15
Uniform Loads (plf)
Vert: 1-3=-50, 3-4=-99, 5-7=-20
Concentrated Loads (lb)
Vert: 4=-15 3=-130
- 26) 4th Dead + 0.75 Roof Live (unbalanced) + 0.75 Attic Floor: Lumber Increase=1.15, Plate Increase=1.15
Uniform Loads (plf)
Vert: 1-3=-20, 3-4=-99, 5-7=-20
Concentrated Loads (lb)
Vert: 4=-15 3=-130

WARNING - Verify design parameters and READ NOTES ON THIS AND INCLUDED MITEK REFERENCE PAGE MII-7473 rev. 5/19/2020 BEFORE USE.

Design valid for use only with MiTek® connectors. This design is based only upon parameters shown, and is for an individual building component, not a truss system. Before use, the building designer must verify the applicability of design parameters and properly incorporate this design into the overall building design. Bracing indicated is to prevent buckling of individual truss web and/or chord members only. Additional temporary and permanent bracing is always required for stability and to prevent collapse with possible personal injury and property damage. For general guidance regarding the fabrication, storage, delivery, erection and bracing of trusses and truss systems, see **ANSI/TPI1 Quality Criteria, DSB-89 and BCSI Building Component Safety Information** available from Truss Plate Institute, 2670 Crain Highway, Suite 203 Waldorf, MD 20601



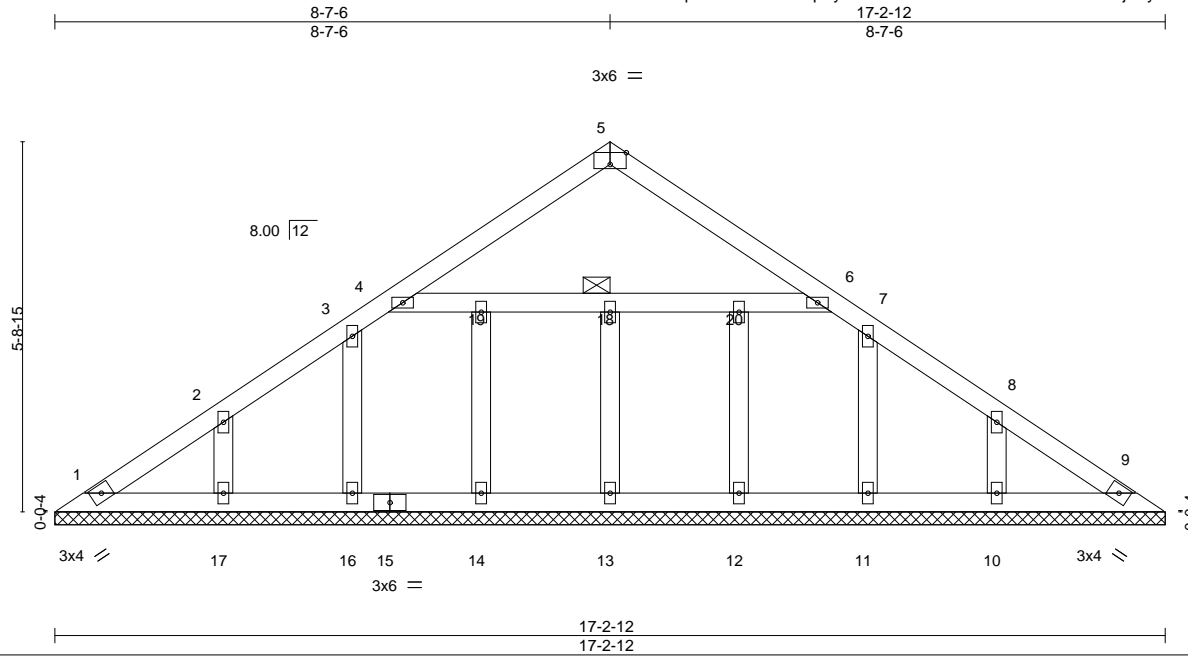
818 Soundside Road
Edenton, NC 27932

Job 2434740	Truss V01	Truss Type GABLE	Qty 3	Ply 1	H&H/Kenzie/ Job Reference (optional)	142553573
----------------	--------------	---------------------	----------	----------	---	-----------

Builders FirstSource, Sumter, SC - 29153,

8.240 s Mar 9 2020 MiTek Industries, Inc. Mon Aug 24 13:46:06 2020 Page 1

ID:2zFdWtUxPjBB?1X9xOWCpYycTNe-M07hvOzuZhTaWACHdMu?kt2j7YywSi8VMW3BfBykd_F



Scale = 1:35.8

Plate Offsets (X,Y)--	[5:0-3-0,Edge]								
LOADING (psf)	SPACING-	2-0-0	CSI.	DEFL.	in (loc)	l/defl	L/d	PLATES	GRIP
TCLL 20.0	Plate Grip DOL	1.15	TC 0.17	Vert(LL)	n/a	-	n/a	MT20	244/190
TCDL 10.0	Lumber DOL	1.15	BC 0.07	Vert(CT)	n/a	-	n/a		
BCLL 0.0 *	Rep Stress Incr	YES	WB 0.11	Horz(CT)	0.00	9	n/a		
BCDL 10.0	Code IRC2015/TPI2014		Matrix-S					Weight: 88 lb	FT = 20%

LUMBER-	BRACING-
TOP CHORD 2x4 SP No.2	TOP CHORD Structural wood sheathing directly applied or 6-0-0 oc purlins.
BOT CHORD 2x4 SP No.2	BOT CHORD Rigid ceiling directly applied or 10-0-0 oc bracing.
OTHERS 2x4 SP No.3	JOINTS 1 Brace at Jt(s): 18

REACTIONS. All bearings 17-2-12.
 (lb) - Max Horz 1=-241(LC 8)
 Max Uplift All uplift 100 lb or less at joint(s) 9, 14, 12 except 1=-128(LC 13), 16=-184(LC 12), 17=-139(LC 12), 11=-151(LC 13), 10=-145(LC 13)
 Max Grav All reactions 250 lb or less at joint(s) 1, 9, 13, 14, 17, 12, 10 except 16=309(LC 19), 11=273(LC 20)

FORCES. (lb) - Max. Comp./Max. Ten. - All forces 250 (lb) or less except when shown.
 TOP CHORD 1-2=-336/216, 2-3=-315/285, 3-4=-402/318, 4-5=-258/181, 5-6=-258/181, 6-7=-402/318, 7-8=-305/236, 8-9=-278/164
 WEBS 3-16=-273/210

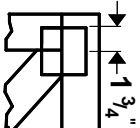
- NOTES-**
- 1) Unbalanced roof live loads have been considered for this design.
 - 2) Wind: ASCE 7-10; Vult=150mph (3-second gust) Vasd=119mph; TC DL=6.0psf; BCDL=6.0psf; h=25ft; Cat. II; Exp C; Enclosed; MWFRS (envelope) gable end zone and C-C Exterior(2) zone; end vertical left and right exposed; C-C for members and forces & MWFRS for reactions shown; Lumber DOL=1.60 plate grip DOL=1.60
 - 3) All plates are 2x4 MT20 unless otherwise indicated.
 - 4) Gable requires continuous bottom chord bearing.
 - 5) This truss has been designed for a 10.0 psf bottom chord live load nonconcurrent with any other live loads.
 - 6) * This truss has been designed for a live load of 20.0psf on the bottom chord in all areas where a rectangle 3-6-0 tall by 2-0-0 wide will fit between the bottom chord and any other members.
 - 7) Provide mechanical connection (by others) of truss to bearing plate capable of withstanding 100 lb uplift at joint(s) 9, 14, 12 except (jt=lb) 1=128, 16=184, 17=139, 11=151, 10=145.



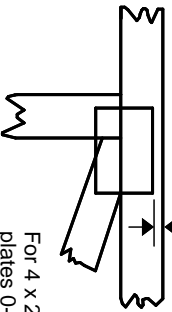
August 24, 2020

Symbols

PLATE LOCATION AND ORIENTATION



Center plate on joint unless x, y offsets are indicated. Dimensions are in ft-in-sixteenths. Apply plates to both sides of truss and fully embed teeth.



For 4 x 2 orientation, locate plates 0- 1/16" from outside edge of truss.



This symbol indicates the required direction of slots in connector plates.

* Plate location details available in **MITek 20/20 software or upon request.**

PLATE SIZE

4 X 4

The first dimension is the plate width measured perpendicular to slots. Second dimension is the length parallel to slots.

LATERAL BRACING LOCATION



Indicated by symbol shown and/or by text in the bracing section of the output. Use T or I bracing if indicated.

BEARING



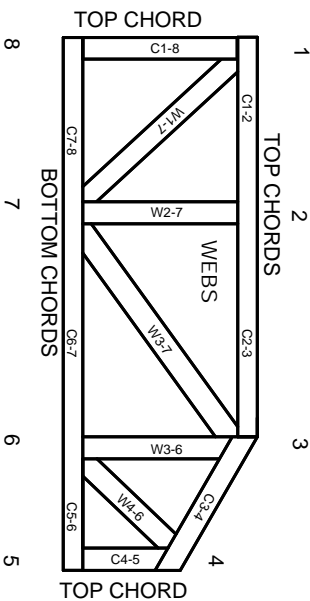
Indicates location where bearings (supports) occur. Icons vary but reaction section indicates joint number where bearings occur. Min size shown is for crushing only.

Industry Standards:

ANSI/TFP 1: National Design Specification for Metal Plate Connected Wood Truss Construction.
DSB-89: Design Standard for Bracing, Building Component Safety Information, Guide to Good Practice for Handling, Installing & Bracing of Metal Plate Connected Wood Trusses.

Numbering System

6-4-8
dimensions shown in ft-in-sixteenths
(Drawings not to scale)



JOINTS ARE GENERALLY NUMBERED/LETTERED CLOCKWISE AROUND THE TRUSS STARTING AT THE JOINT FARTHEST TO THE LEFT.

CHORDS AND WEBS ARE IDENTIFIED BY END JOINT NUMBERS/LETTERS.

PRODUCT CODE APPROVALS

ICC-ES Reports:

ESR-1311, ESR-1352, ESR1988
ER-3907, ESR-2362, ESR-1397, ESR-3282

Trusses are designed for wind loads in the plane of the truss unless otherwise shown.

Lumber design values are in accordance with ANSI/TFP 1 section 6.3 These truss designs rely on lumber values established by others.

© 2012 MITteK® All Rights Reserved



MITek Engineering Reference Sheet: Mill-7473 rev. 5/19/2020



General Safety Notes

Failure to Follow Could Cause Property Damage or Personal Injury

1. Additional stability bracing for truss system, e.g. diagonal or X-bracing, is always required. See BCSI.
2. Truss bracing must be designed by an engineer. For wide truss spacing, individual lateral braces themselves may require bracing, or alternative T or I bracing should be considered.
3. Never exceed the design loading shown and never stack materials on inadequately braced trusses.
4. Provide copies of this truss design to the building designer, erection supervisor, property owner and all other interested parties.
5. Cut members to bear tightly against each other.
6. Place plates on each face of truss at each joint and embed fully. Knots and wane at joint locations are regulated by ANSI/TFP 1.
7. Design assumes trusses will be suitably protected from the environment in accord with ANSI/TFP 1.
8. Unless otherwise noted, moisture content of lumber shall not exceed 19% at time of fabrication.
9. Unless expressly noted, this design is not applicable for use with fire retardant, preservative treated, or green lumber.
10. Camber is a non-structural consideration and is the responsibility of truss fabricator. General practice is to camber for dead load deflection.
11. Plate type, size, orientation and location dimensions indicated are minimum plating requirements.
12. Lumber used shall be of the species and size, and in all respects, equal to or better than that specified.
13. Top chords must be sheathed or purlins provided at spacing indicated on design.
14. Bottom chords require lateral bracing at 10 ft. spacing, or less, if no ceiling is installed, unless otherwise noted.
15. Connections not shown are the responsibility of others.
16. Do not cut or alter truss member or plate without prior approval of an engineer.
17. Install and load vertically unless indicated otherwise.
18. Use of green or treated lumber may pose unacceptable environmental, health or performance risks. Consult with project engineer before use.
19. Review all portions of this design (front, back, words and pictures) before use. Reviewing pictures alone is not sufficient.
20. Design assumes manufacture in accordance with ANSI/TFP 1 Quality Criteria.
21. The design does not take into account any dynamic or other loads other than those expressly stated.