

**Engineering**  
**Lech**  
 ASSOCIATES, P.A.  
 STRUCTURAL ENGINEERS  
 License No. C-3870  
 318 W Millbrook Rd. Unit 201  
 Raleigh, North Carolina 27609  
 Phone (919) 844-1661

ADAMS HOMES			
SCOPE	SUSPENDED SLAB & WALL BACKFILL LIMITS	REV #	REF PROJ #
LOC	6 CAROLINA SEASON	DATE	

ENG: NBG  
 DATE: 3/3/2023

PARENT  
 22-18-078

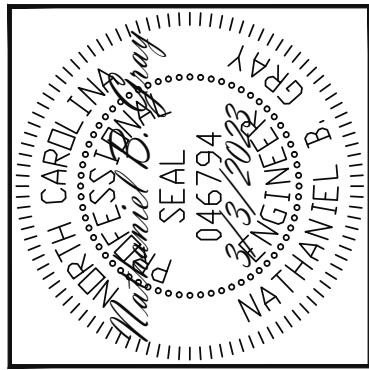
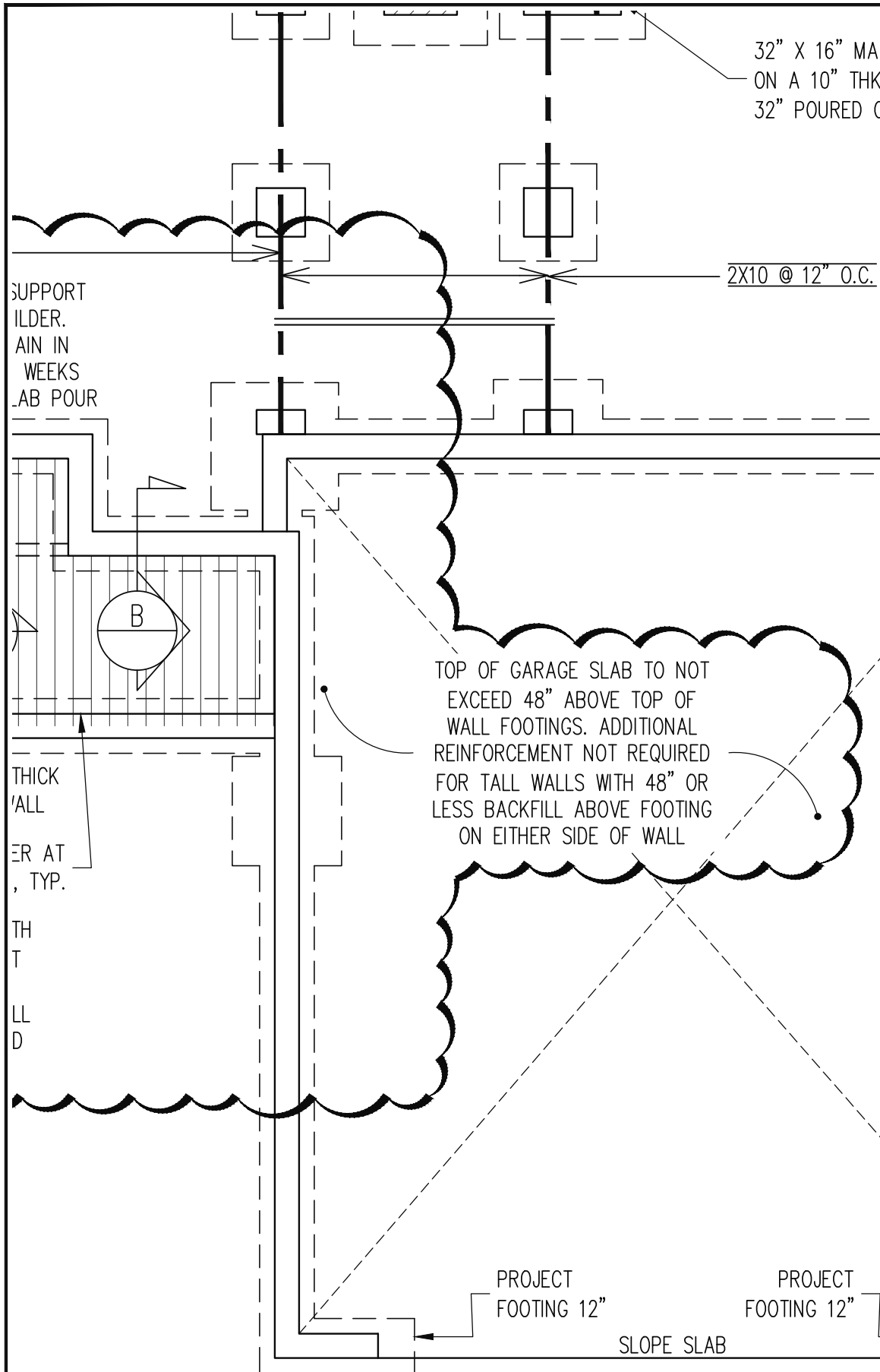
PROJECT NO.  
 23-75-215

SHEET NO.  
 SL1

1 of 3

# FOUNDATION PLAN

$1/4" = 1'-0"$



**Engineering**  
**Lech**  
 ASSOCIATES, P.A.  
 STRUCTURAL ENGINEERS  
 License No. C-3870  
 318 W Millbrook Rd. Unit 201  
 Raleigh, North Carolina 27609  
 Phone (919) 844-1661

ADAMS HOMES	
SCOPE	SUSPENDED SLAB & WALL BACKFILL LIMITS
LOC	6 CAROLINA SEASON
REV #	REF PROJ #
DATE	

ENG: **NBC**  
 DATE: **3/3/2023**

PARENT  
**22-18-078**

PROJECT NO.  
**23-75-215**

SHEET NO.  
**SL2**

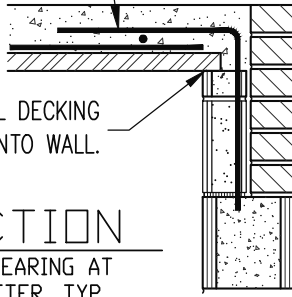
2 of 3

# FOUNDATION PLAN

$1/4" = 1'-0"$

3/4" #4 DOWEL @ 32" O.C.,  
BENT IN HALF. GROUT  
MASONRY SOLID AT DOWEL.

BEAR METAL DECKING  
1 1/2" MIN. ONTO WALL.

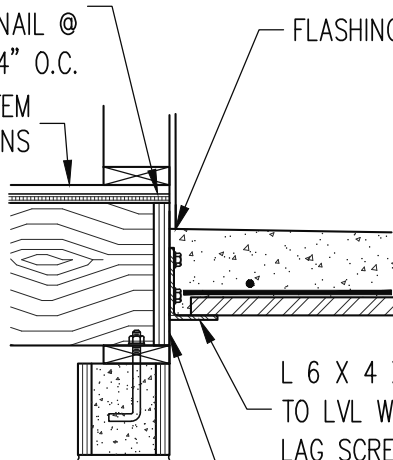


**A** SECTION  
SLAB BEARING AT PERIMETER, TYP.  
3/4" = 1'-0"

ATTACH SUBFLOOR  
TO LVL RIM JOIST  
WITH (1) 8d NAIL @  
4" O.C.

FLOOR SYSTEM  
PER PLANS

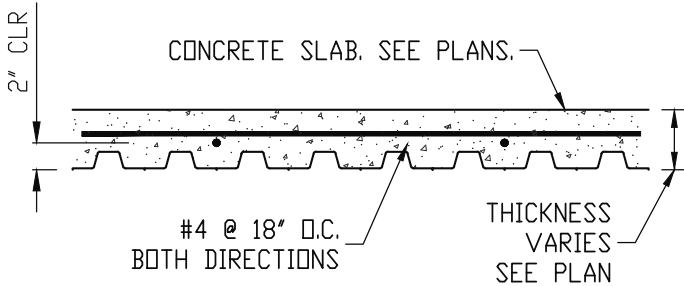
FLASHING PER BUILDER



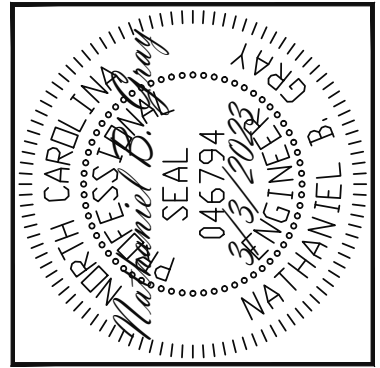
L 6 X 4 X 5/16 ATTACHED  
TO LVL WITH (2) 1/2" X 2"  
LAG SCREWS @ 12" O.C.

RIM JOIST

**B** SECTION  
SLAB SUPPORT WITH  
ANGLE ATTACHED TO RIM  
JOIST  
3/4" = 1'-0"



**C** SECTION  
SUSPENDED SLAB TYPICAL  
REINFORCEMENT  
3/4" = 1'-0"



**Engineering**  
**Lech**  
ASSOCIATES, P.A.  
STRUCTURAL ENGINEERS  
License No. C-3870  
318 W Millbrook Rd. Unit 201  
Raleigh, North Carolina 27609  
Phone (919) 844-1661

ADAMS HOMES	
SCOPE	SUSPENDED SLAB & WALL BACKFILL LIMITS
LOC	6 CAROLINA SEASON
REV #	REF PROJ #
DATE	

ENG: NBG  
DATE: 3/3/2023

PARENT  
22-18-078

PROJECT NO.  
23-75-215

SHEET NO.  
SL3

3 of 3