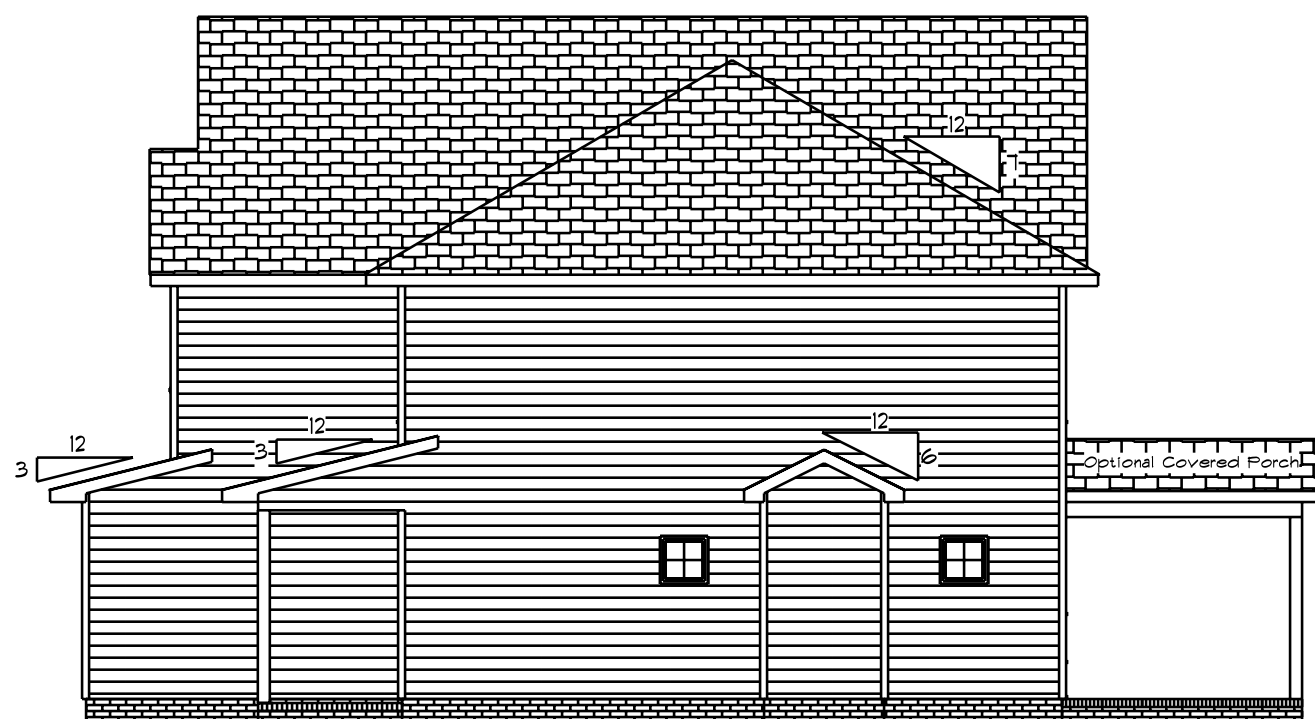




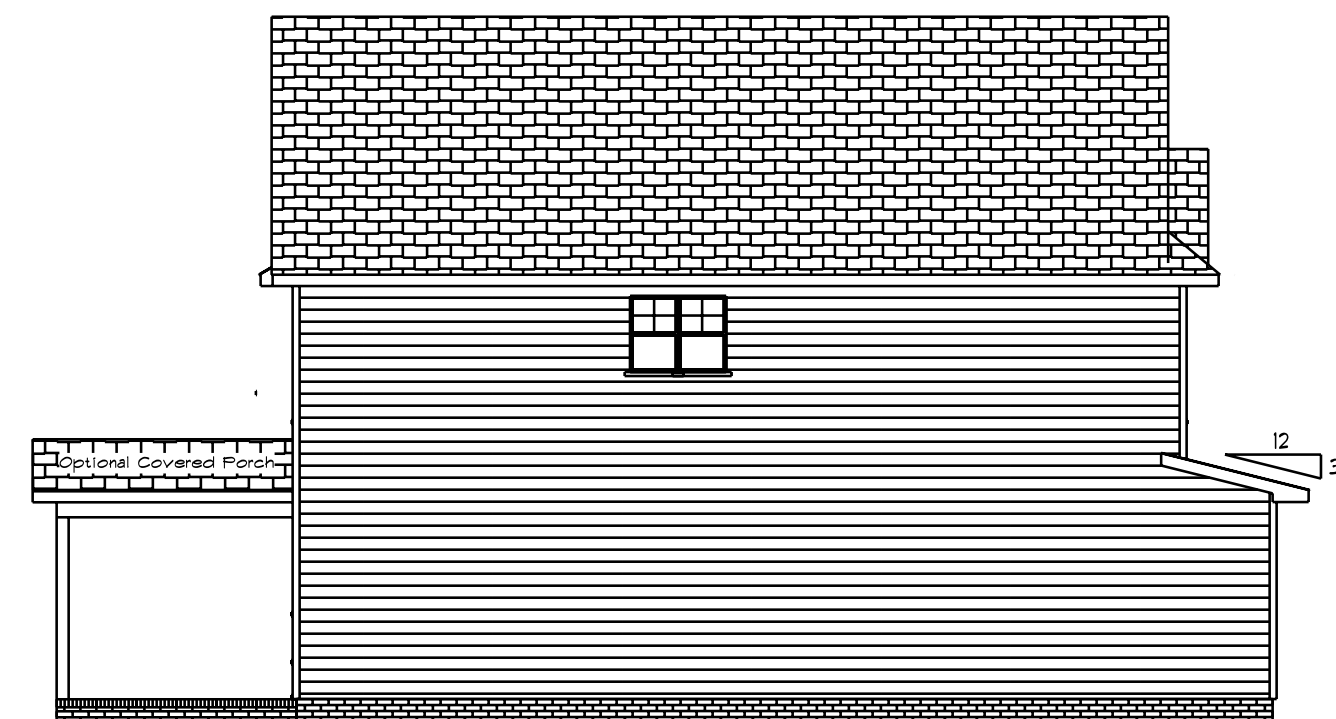
Front Elevation
Scale: 1/4" = 1'0"



Rear Elevation
Scale: 1/8" = 1'0"



Left Elevation
Scale: 1/8" = 1'0"



Right Elevation
Scale: 1/8" = 1'0"

DATE: 8/25/2020

REVISED

DRAWING#

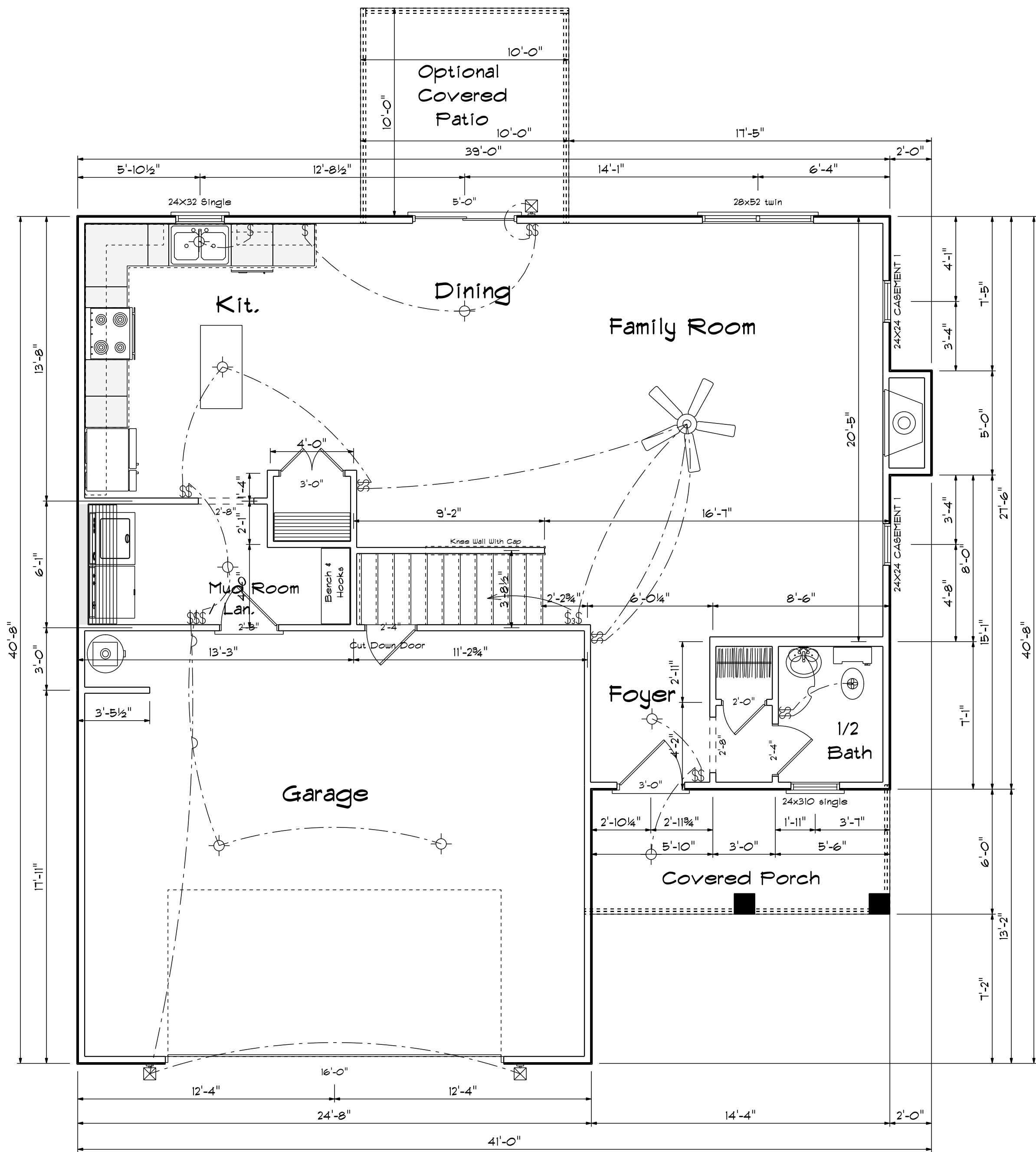
EIV. A

SCALE: 1/4"

DRAWN BY

APPROVED

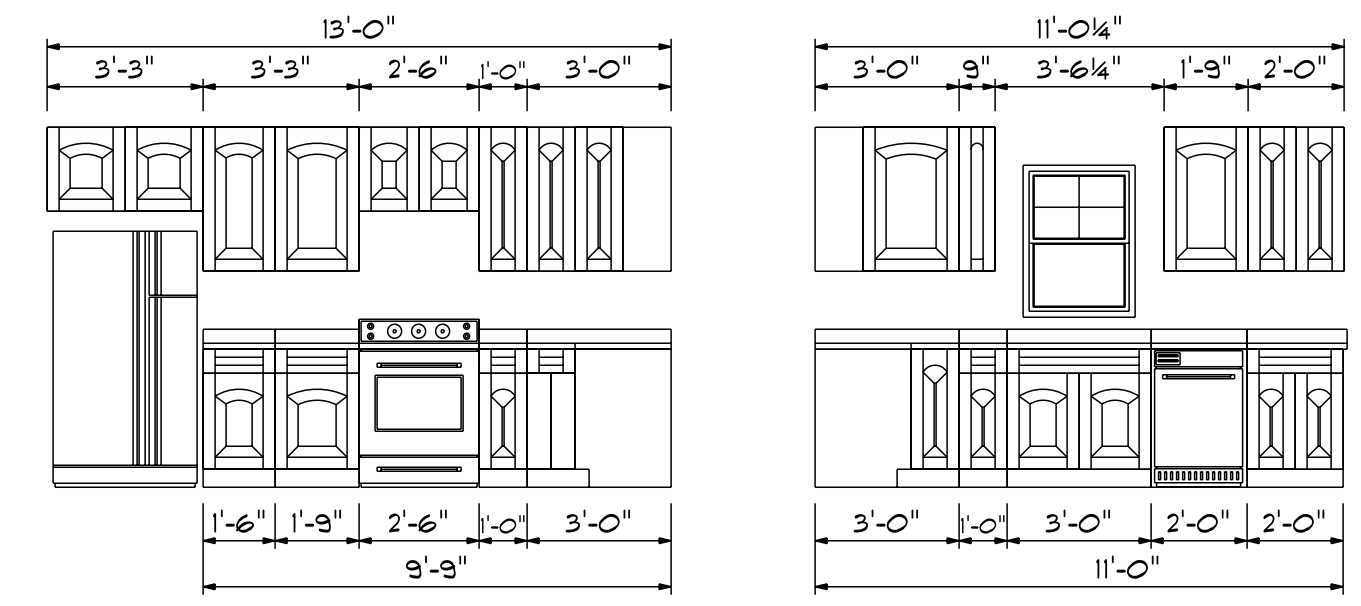
The Westbrook



First Floor Plan

Scale: 1/4" = 1'-0"

Kitchen Cabinets



FIRST FLOOR OPENING SCHEDULE			
PRODUCT CODE	SIZE	HINGE	COUNT
36X80 COLONIAL A 1	3'-0"	L	1
192X96 - 8 PANEL - 4 WINDOW	16'-0"	U	1
72X80 SLIDING FRENCH 2	6'-0"	NL	1
2-0 Door Unit	2'-0"	L	1
2-0 Door Unit	2'-0"	R	1
2-4 Door Unit	2'-4"	L	1
2-4 Door Unit	2'-4"	R	1
2-8 Door Unit	2'-8"	R	1
24X24 CASEMENT 1	2'-0" x 2'-0"	N	2
24X32 Single	2'-4" x 3'-2"	N	1
24x310 single	2'-4" x 3'-10"	N	1
28x52 twin	5'-4" x 5'-2"	NN	1

Areas

First Floor	892
Second Floor	1316
=====	
Total Heated	2208
Garage	512
Front Porch	85

DATE: 8/25/2020

REVISED

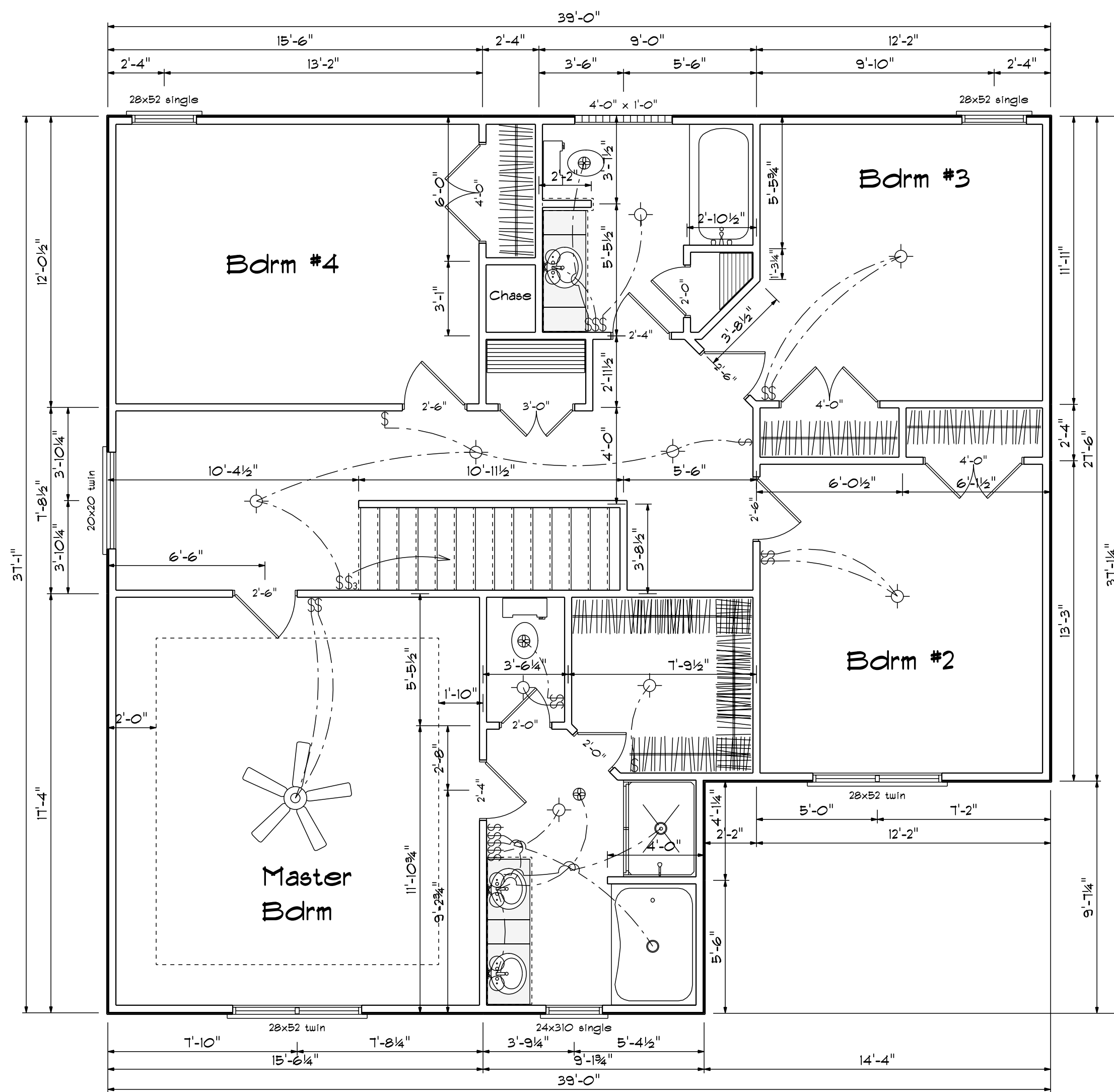
DRAWING#

SCALE: 1/4"

DRAWN BY

APPROVED

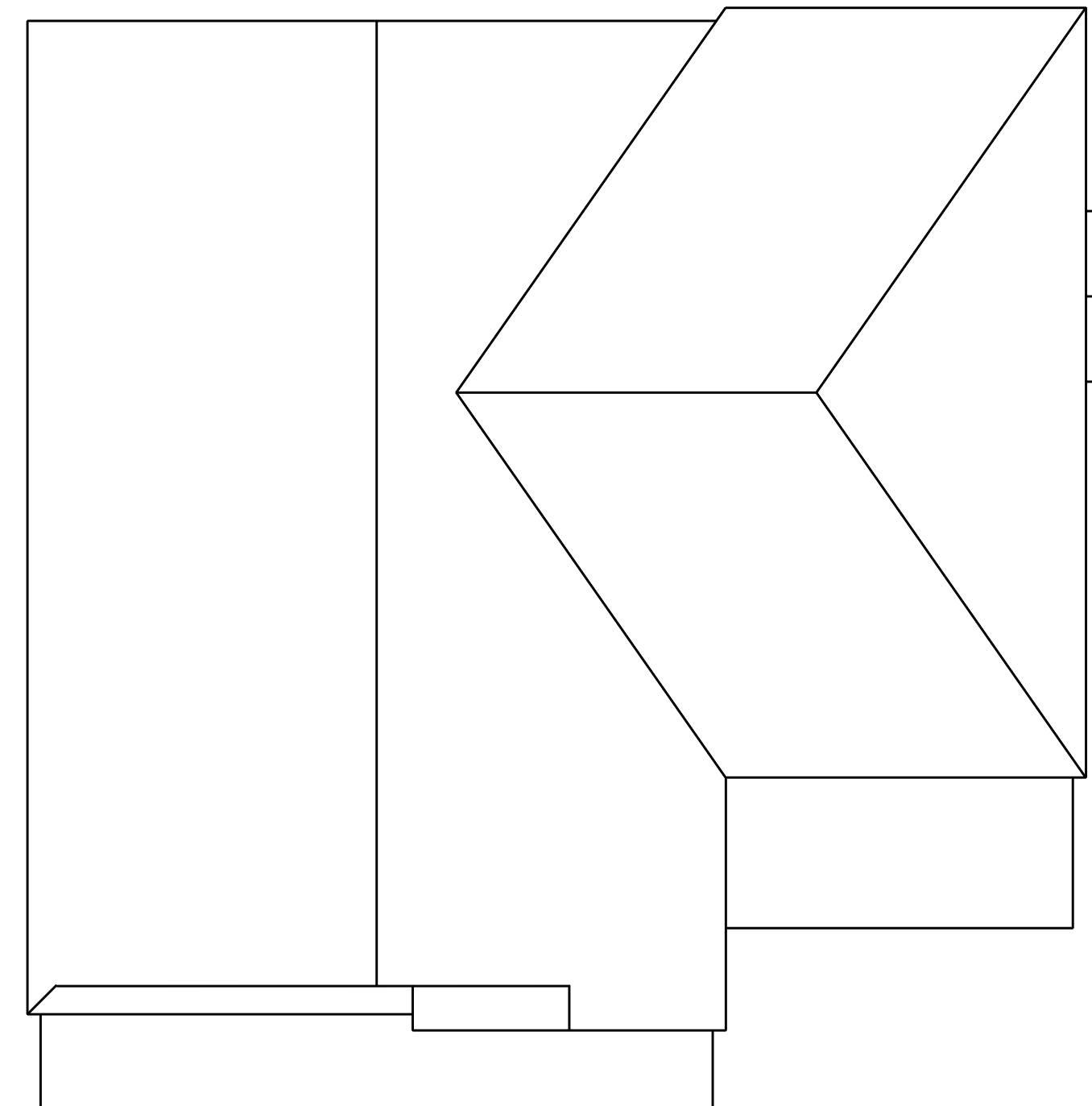
The Westbrook



Second Floor Plan

Scale: 1/4" = 1'-0"

SECOND FLOOR OPENING SCHEDULE			
PRODUCT CODE	SIZE	HINGE	COUNT
2-0 Door Unit	2'-0"	L	3
2-4 Door Unit	2'-4"	R	1
2-4 Door Unit	2'-4"	L	1
2-6 Door Unit	2'-6"	L	2
2-6 Door Unit	2'-6"	R	2
3-0 Doublehung Door Unit	3'-0"	LR	1
4-0 Doublehung Door Unit	4'-0"	LR	3
20x20 twin	4'-0" x 3'-2"	NA	1
24x310 single	2'-4" x 3'-10"	N	1
28x52 single	2'-8" x 5'-2"	N	2
28x52 twin	5'-4" x 5'-2"	NN	2
12X12 GLASS BLOCK	4'-0" x 1'-0"	N	1



Roof Plan

DATE: 8/25/2020

REVISED

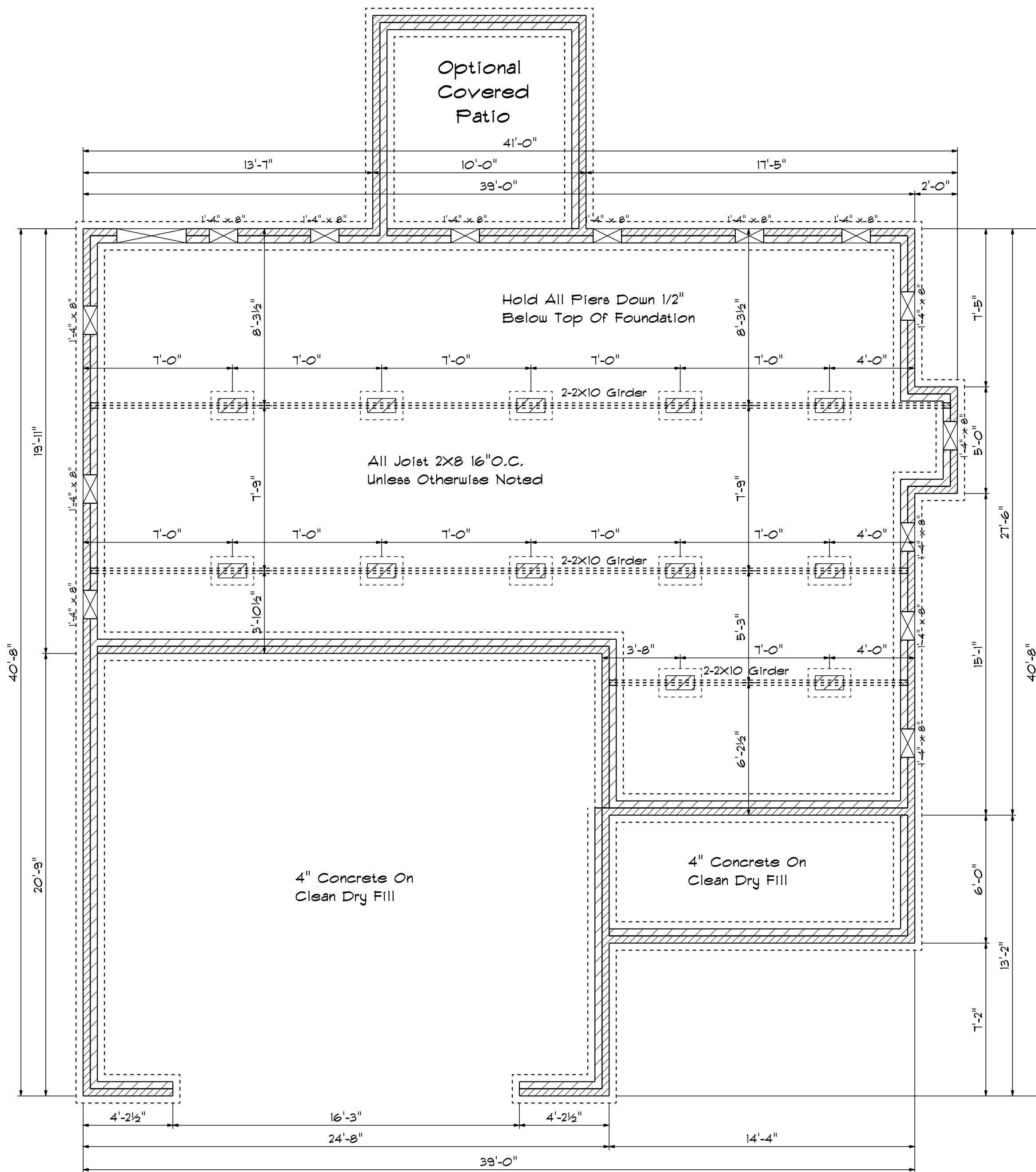
DRAWING#

SCALE: 1/4"

DRAWN BY

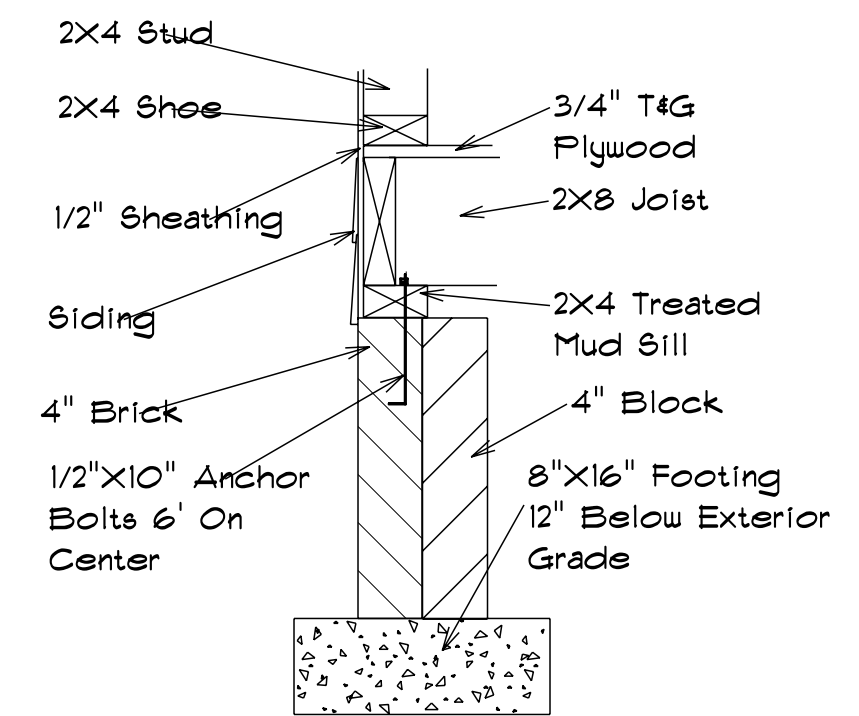
APPROVED

The Westbrook

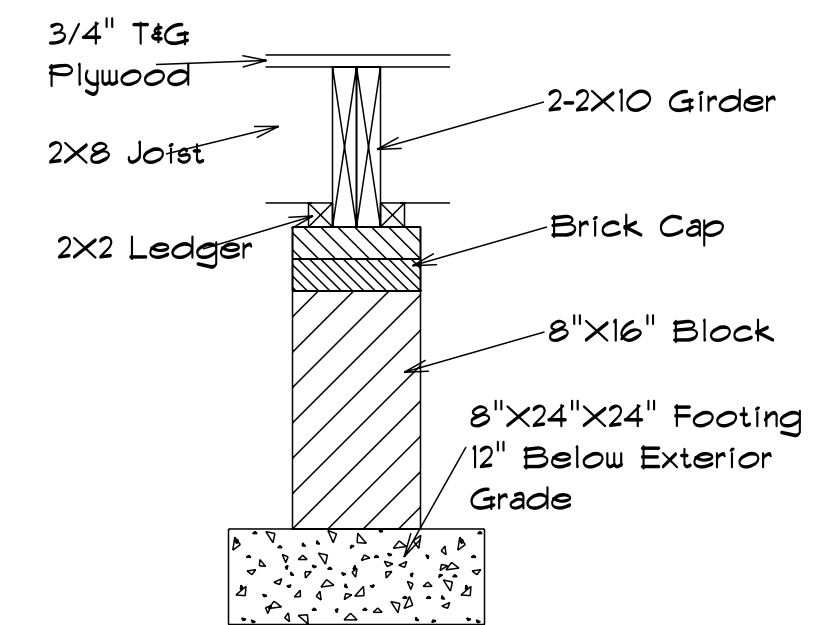


Foundation Plan

Foundation Detail



Footing & Pier Detail



FOUNDATION VENTILATION

892 Sq.Ft. Foundation Area
 Requires 5.94 Sq.Ft. Ventilation.
 With 6 Mil. Poly, Plans Indicate
 Vents For Adequate Cross
 Ventilation.

DATE: 8/25/2020

REVISED

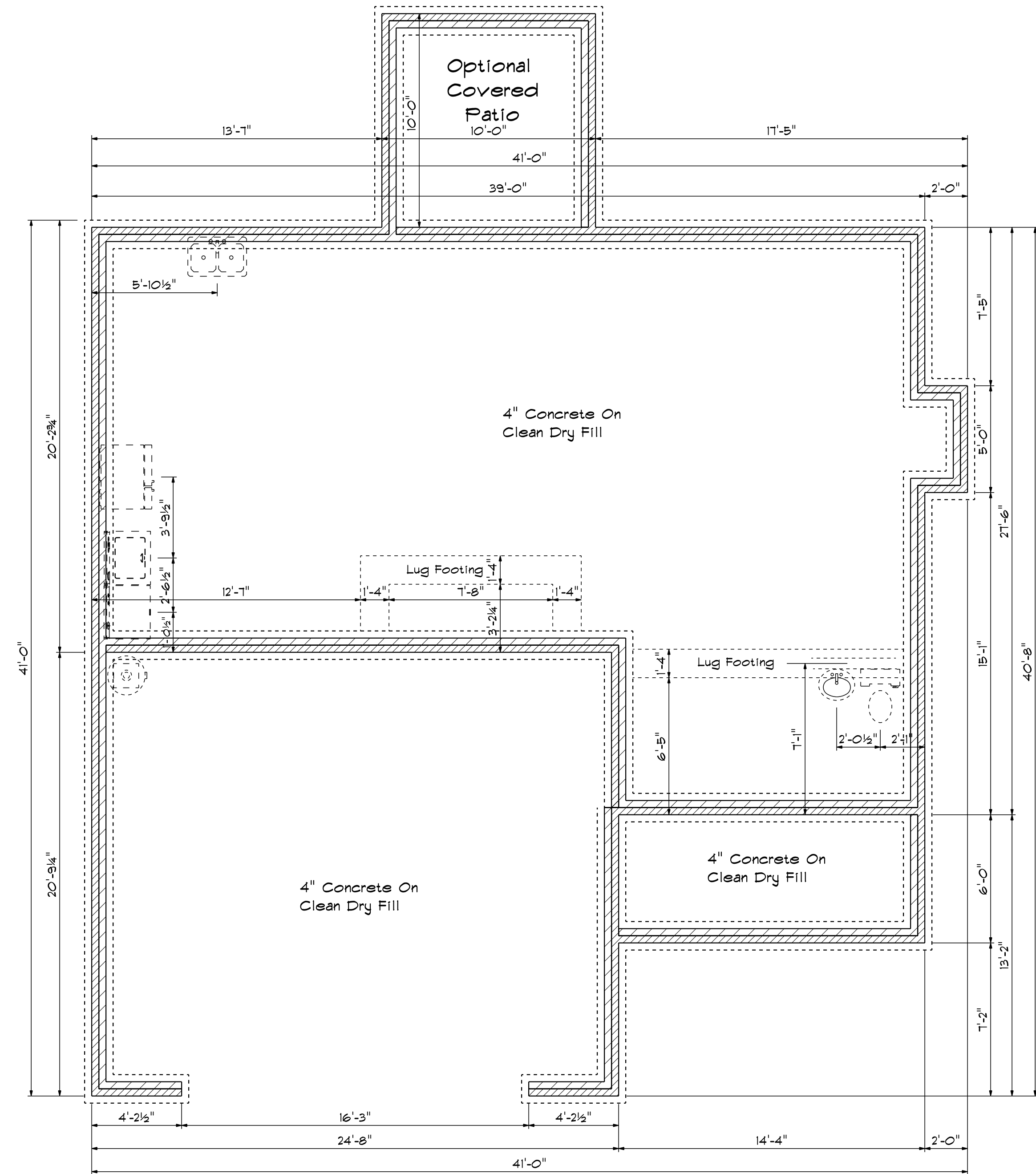
DRAWING#

SCALE: 1/4"

DRAWN BY

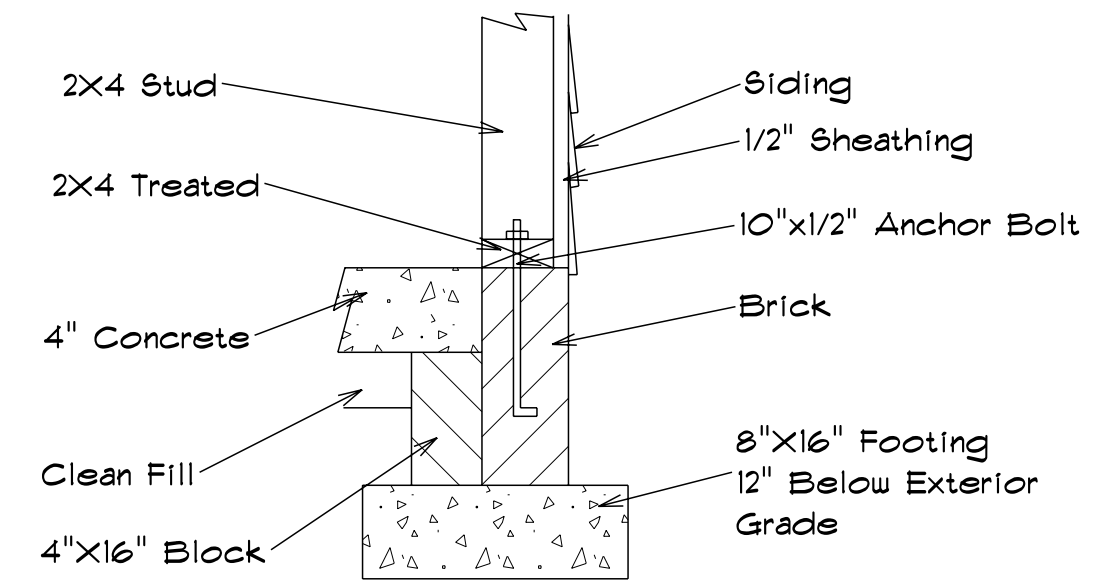
APPROVED

The Westbrook

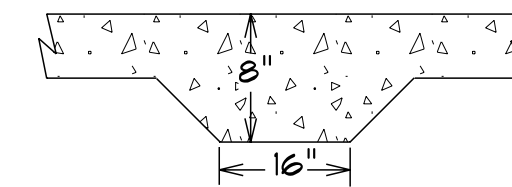


Foundation Plan

Foundation Detail Siding



Lug Footing Detail



DATE: 8/25/2020
REVISED
DRAWING#
SCALE: 1/4"
DRAWN BY
APPROVED

The Westbrook