

Trenco

818 Soundside Rd
Edenton, NC 27932

Re: J0920-4493
Precision/Lot 44 Summerlin/Harnett

The truss drawing(s) referenced below have been prepared by Truss Engineering Co. under my direct supervision based on the parameters provided by Comtech, Inc - Fayetteville.

Pages or sheets covered by this seal: E14950659 thru E14950670

My license renewal date for the state of North Carolina is December 31, 2020.

North Carolina COA: C-0844



October 7, 2020

Gilbert, Eric

IMPORTANT NOTE: The seal on these truss component designs is a certification that the engineer named is licensed in the jurisdiction(s) identified and that the designs comply with ANSI/TPI 1. These designs are based upon parameters shown (e.g., loads, supports, dimensions, shapes and design codes), which were given to MiTek or TRENCO. Any project specific information included is for MiTek's or TRENCO's customers file reference purpose only, and was not taken into account in the preparation of these designs. MiTek or TRENCO has not independently verified the applicability of the design parameters or the designs for any particular building. Before use, the building designer should verify applicability of design parameters and properly incorporate these designs into the overall building design per ANSI/TPI 1, Chapter 2.

Job	Truss	Truss Type	Qty	Ply	Precision/Lot 44 Summerlin/Harnett	E14950659
J0920-4493	ET1	GABLE	1	1	Job Reference (optional)	

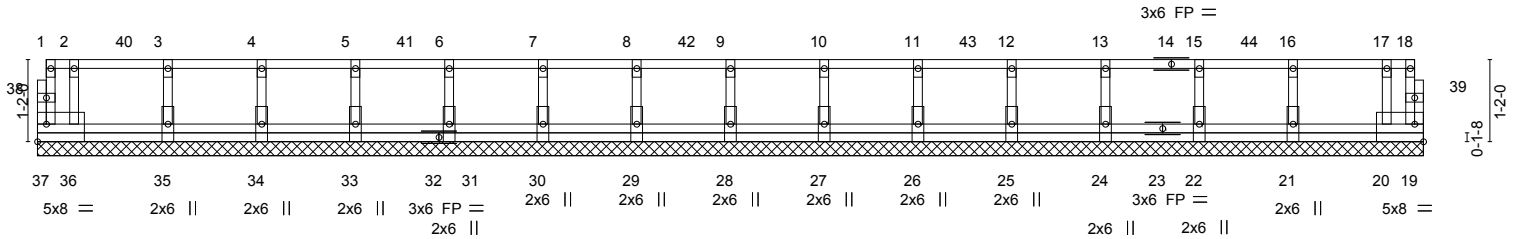
Comtech, Inc., Fayetteville, NC - 28314,

8.330 s Jul 22 2020 MiTek Industries, Inc. Wed Oct 7 09:21:31 2020 Page 1
ID:Jjp3_bNirdpeLXA5mDh?5?y7p3U-OHVh2HTzgEP9jn8jwiteviFM9fgkNF5Q7GGs8SyVrel

0-1/8

0-1/8

Scale = 1:32.8



0-6-4	1-10-4	3-2-4	4-6-4	5-10-4	7-2-4	8-6-4	9-10-4	11-2-4	12-6-4	13-10-4	15-2-4	16-6-4	17-10-4	19-2-4	19-8-8
0-6-4	1-4-0	1-4-0	1-4-0	1-4-0	1-4-0	1-4-0	1-4-0	1-4-0	1-4-0	1-4-0	1-4-0	1-4-0	1-4-0	1-4-0	0-6-4

Plate Offsets (X,Y)-- [20:Edge,0-3-0], [20:0-0-12,0-0-0], [36:0-0-12,0-0-0], [37:Edge,0-3-0]

LOADING (psf)	SPACING-	2-0-0	CSI.	DEFL.	in (loc)	l/defl	L/d	PLATES	GRIP
TCLL 40.0	Plate Grip DOL	1.00	TC 0.10	Vert(LL)	n/a	-	n/a	MT20	244/190
TCDL 10.0	Lumber DOL	1.00	BC 0.00	Vert(CT)	n/a	-	n/a		
BCLL 0.0	Rep Stress Incr	NO	WB 0.04	Horz(CT)	0.00	19	n/a		
BCDL 5.0	Code IRC2015/TPI2014		Matrix-R					Weight: 109 lb	FT = 20%F, 11%E

LUMBER-
TOP CHORD 2x4 SP No.1(flat)
BOT CHORD 2x4 SP No.1(flat)
WEBS 2x4 SP No.3(flat)
OTHERS 2x4 SP No.3(flat)

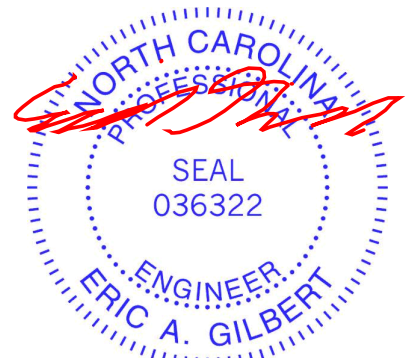
BRACING-
TOP CHORD Structural wood sheathing directly applied or 6-0-0 oc purlins, except end verticals.
BOT CHORD Rigid ceiling directly applied or 10-0-0 oc bracing.

REACTIONS. All bearings 19-8-8.
(lb) - Max Uplift All uplift 100 lb or less at joint(s) 37
Max Grav All reactions 250 lb or less at joint(s) 28, 29, 30, 31, 33, 34, 35, 36, 27, 26, 25, 24, 22, 21, 20, 19

FORCES. (lb) - Max. Comp./Max. Ten. - All forces 250 (lb) or less except when shown.

NOTES-
1) All plates are 1.5x3 MT20 unless otherwise indicated.
2) Plates checked for a plus or minus 1 degree rotation about its center.
3) Gable requires continuous bottom chord bearing.
4) Truss to be fully sheathed from one face or securely braced against lateral movement (i.e. diagonal web).
5) Gable studs spaced at 1-4-0 oc.
6) Provide mechanical connection (by others) of truss to bearing plate capable of withstanding 100 lb uplift at joint(s) 37.
7) Recommend 2x6 strongbacks, on edge, spaced at 10-0-0 oc and fastened to each truss with 3-10d (0.131" X 3") nails.
Strongbacks to be attached to walls at their outer ends or restrained by other means.

LOAD CASE(S) Standard
1) Dead + Floor Live (balanced): Lumber Increase=1.00, Plate Increase=1.00
Uniform Loads (plf)
Vert: 19-37=-10, 1-18=-100
Concentrated Loads (lb)
Vert: 18=-72 7=-64 4=-64 10=-64 13=-64 40=-64 41=-64 42=-64 43=-64 44=-64



October 7, 2020

WARNING - Verify design parameters and READ NOTES ON THIS AND INCLUDED MITEK REFERENCE PAGE MII-7473 rev. 5/19/2020 BEFORE USE.

Design valid for use only with MiTek® connectors. This design is based only upon parameters shown, and is for an individual building component, not a truss system. Before use, the building designer must verify the applicability of design parameters and properly incorporate this design into the overall building design. Bracing indicated is to prevent buckling of individual truss web and/or chord members only. Additional temporary and permanent bracing is always required for stability and to prevent collapse with possible personal injury and property damage. For general guidance regarding the fabrication, storage, delivery, erection and bracing of trusses and truss systems, see **ANSI/TPI1 Quality Criteria, DSB-89 and BCSI Building Component Safety Information** available from Truss Plate Institute, 2670 Crain Highway, Suite 203 Waldorf, MD 20601



818 Soundside Road
Edenton, NC 27932

Job	Truss	Truss Type	Qty	Ply	Precision/Lot 44 Summerlin/Harnett	E14950660
J0920-4493	ET2	Floor Supported Gable	1	1	Job Reference (optional)	

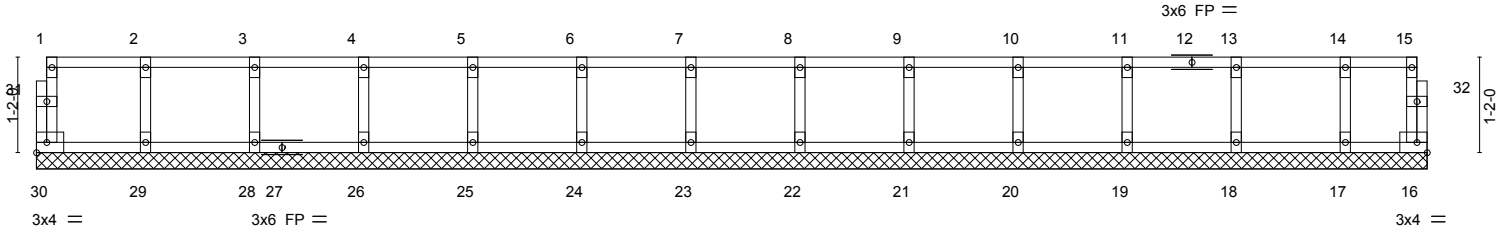
Comtech, Inc., Fayetteville, NC - 28314,

8.330 s Jul 22 2020 MiTek Industries, Inc. Wed Oct 7 09:21:32 2020 Page 1
 ID:Jjp3_bNirdpeLXA5mDh?5?y7p3U-sT33GdUbRYX0LxjwT?PirZoYa30u66UZMw?PguyVreH

0-1/8

0-1/8

Scale = 1:28.2



LOADING (psf)		SPACING-		CSI.		DEFL.				PLATES		GRIP	
TCLL	40.0	Plate Grip DOL	2-0-0	TC	0.06	in	(loc)	l/defl	L/d	MT20	244/190		
TCDL	10.0	Lumber DOL	1.00	BC	0.01	Vert(LL)	n/a	-	n/a	Weight: 71 lb FT = 20%F, 11%E			
BCLL	0.0	Rep Stress Incr	YES	WB	0.03	Vert(CT)	n/a	-	n/a				
BCDL	5.0	Code IRC2015/TPI2014		Matrix-R		Horz(CT)	0.00	16	n/a				

LUMBER-
 TOP CHORD 2x4 SP No.1 (flat)
 BOT CHORD 2x4 SP No.1 (flat)
 WEBS 2x4 SP No.3 (flat)
 OTHERS 2x4 SP No.3 (flat)

BRACING-
 TOP CHORD Structural wood sheathing directly applied or 6-0-0 oc purlins, except end verticals.
 BOT CHORD Rigid ceiling directly applied or 10-0-0 oc bracing.

REACTIONS. All bearings 17-0-0.
 (lb) - Max Grav All reactions 250 lb or less at joint(s) 30, 16, 29, 28, 26, 25, 24, 23, 22, 21, 20, 19, 18, 17

FORCES. (lb) - Max. Comp./Max. Ten. - All forces 250 (lb) or less except when shown.

- NOTES-**
- 1) All plates are 1.5x3 MT20 unless otherwise indicated.
 - 2) Plates checked for a plus or minus 1 degree rotation about its center.
 - 3) Gable requires continuous bottom chord bearing.
 - 4) Truss to be fully sheathed from one face or securely braced against lateral movement (i.e. diagonal web).
 - 5) Gable studs spaced at 1-4-0 oc.
 - 6) Recommend 2x6 strongbacks, on edge, spaced at 10-0-0 oc and fastened to each truss with 3-10d (0.131" X 3") nails. Strongbacks to be attached to walls at their outer ends or restrained by other means.



October 7, 2020

WARNING - Verify design parameters and READ NOTES ON THIS AND INCLUDED MITEK REFERENCE PAGE MII-7473 rev. 5/19/2020 BEFORE USE.

Design valid for use only with MiTek® connectors. This design is based only upon parameters shown, and is for an individual building component, not a truss system. Before use, the building designer must verify the applicability of design parameters and properly incorporate this design into the overall building design. Bracing indicated is to prevent buckling of individual truss web and/or chord members only. Additional temporary and permanent bracing is always required for stability and to prevent collapse with possible personal injury and property damage. For general guidance regarding the fabrication, storage, delivery, erection and bracing of trusses and truss systems, see **ANSI/TPI1 Quality Criteria, DSB-89 and BCSI Building Component Safety Information** available from Truss Plate Institute, 2670 Crain Highway, Suite 203 Waldorf, MD 20601



818 Soundside Road
 Edenton, NC 27932

Job	Truss	Truss Type	Qty	Ply	Precision/Lot 44 Summerlin/Harnett	E14950661
J0920-4493	ET3	Floor Supported Gable	1	1	Job Reference (optional)	

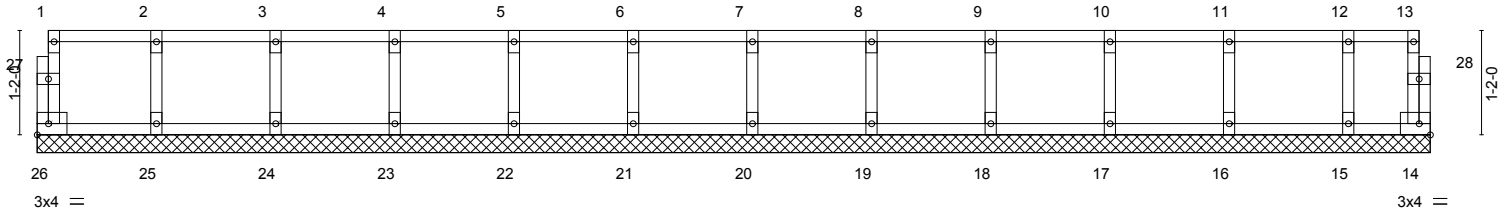
Comtech, Inc., Fayetteville, NC - 28314,

8.330 s Jul 22 2020 MiTek Industries, Inc. Wed Oct 7 09:21:33 2020 Page 1
ID:JjP3_bNirdpeLXA5mDh?5?y7p3U-KgdRTzUECrftz5I61jw6_AKjKSM6rZkjbalzCLyVreG

0-1-8

0-1-8

Scale = 1:25.8



15-7-0
15-7-0

LOADING (psf)	SPACING-	2-0-0	CSI.	DEFL.	in	(loc)	l/defl	L/d	PLATES	GRIP
TCLL 40.0	Plate Grip DOL	1.00	TC 0.06	Vert(LL)	n/a	-	n/a	999	MT20	244/190
TCDL 10.0	Lumber DOL	1.00	BC 0.01	Vert(CT)	n/a	-	n/a	999		
BCLL 0.0	Rep Stress Incr	YES	WB 0.03	Horz(CT)	0.00	14	n/a	n/a		
BCDL 5.0	Code IRC2015/TPI2014		Matrix-R						Weight: 66 lb	FT = 20%F, 11%E

LUMBER-

TOP CHORD 2x4 SP No.1 (flat)
BOT CHORD 2x4 SP No.1 (flat)
WEBS 2x4 SP No.3 (flat)
OTHERS 2x4 SP No.3 (flat)

BRACING-

TOP CHORD Structural wood sheathing directly applied or 6-0-0 oc purlins, except end verticals.
BOT CHORD Rigid ceiling directly applied or 10-0-0 oc bracing.

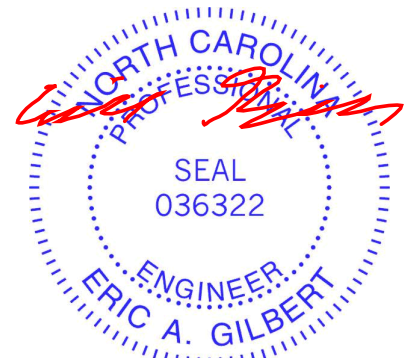
REACTIONS. All bearings 15-7-0.

(lb) - Max Grav All reactions 250 lb or less at joint(s) 26, 14, 25, 24, 23, 22, 21, 20, 19, 18, 17, 16, 15

FORCES. (lb) - Max. Comp./Max. Ten. - All forces 250 (lb) or less except when shown.

NOTES-

- 1) All plates are 1.5x3 MT20 unless otherwise indicated.
- 2) Plates checked for a plus or minus 1 degree rotation about its center.
- 3) Gable requires continuous bottom chord bearing.
- 4) Truss to be fully sheathed from one face or securely braced against lateral movement (i.e. diagonal web).
- 5) Gable studs spaced at 1-4-0 oc.
- 6) Recommend 2x6 strongbacks, on edge, spaced at 10-0-0 oc and fastened to each truss with 3-10d (0.131" X 3") nails. Strongbacks to be attached to walls at their outer ends or restrained by other means.



October 7, 2020

WARNING - Verify design parameters and READ NOTES ON THIS AND INCLUDED MITEK REFERENCE PAGE MII-7473 rev. 5/19/2020 BEFORE USE.

Design valid for use only with MiTek® connectors. This design is based only upon parameters shown, and is for an individual building component, not a truss system. Before use, the building designer must verify the applicability of design parameters and properly incorporate this design into the overall building design. Bracing indicated is to prevent buckling of individual truss web and/or chord members only. Additional temporary and permanent bracing is always required for stability and to prevent collapse with possible personal injury and property damage. For general guidance regarding the fabrication, storage, delivery, erection and bracing of trusses and truss systems, see **ANSI/TPI1 Quality Criteria, DSB-89 and BCSI Building Component Safety Information** available from Truss Plate Institute, 2670 Crain Highway, Suite 203 Waldorf, MD 20601

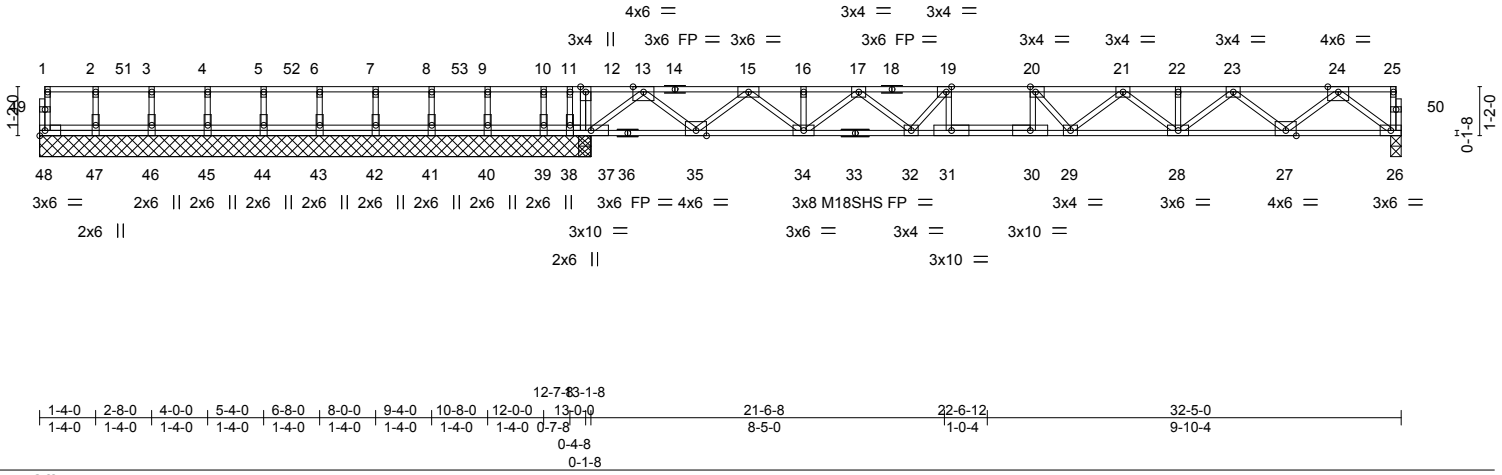


818 Soundside Road
Edenton, NC 27932

Job	Truss	Truss Type	Qty	Ply	Precision/Lot 44 Summerlin/Harnett	E14950662
J0920-4493	F1	GABLE	1	1	Job Reference (optional)	

Comtech, Inc. Fayetteville, NC - 28314,

8.330 s Jul 22 2020 MiTek Industries, Inc. Wed Oct 7 09:21:34 2020 Page 1
ID:Jjp3_bNirdpeLXA5mDh?5?7p3U-osBqhJVsz9nkaEtIbQRMXOtq9sbZatNspEUWknyVreF



LOADING (psf)		SPACING-		CSI.		DEFL.				PLATES	GRIP	
TCLL	40.0	Plate Grip DOL	2-0-0	TC	0.31	Vert(LL)	-0.31	30-31	>751	480	MT20	244/190
TCDL	10.0	Lumber DOL	1.00	BC	0.51	Vert(CT)	-0.43	30-31	>547	360	M18SHS	244/190
BCLL	0.0	Rep Stress Incr	YES	WB	0.58	Horz(CT)	0.07	26	n/a	n/a		
BCDL	5.0	Code	IRC2015/TPI2014	Matrix-S								Weight: 174 lb FT = 20%F, 11%E

LUMBER-	BRACING-
TOP CHORD	TOP CHORD
BOT CHORD	BOT CHORD

REACTIONS. All bearings 13-1-8 except (jt=length) 26=0-3-0.
 (lb) - Max Uplift All uplift 100 lb or less at joint(s) except 38=349(LC 4)
 Max Grav All reactions 250 lb or less at joint(s) 48, 47, 46, 45, 44, 43, 42, 41, 40, 39 except 37=1542(LC 1), 37=1542(LC 1), 26=1053(LC 1)

FORCES. (lb) - Max. Comp./Max. Ten. - All forces 250 (lb) or less except when shown.
 TOP CHORD 13-15=-2202/0, 15-16=-3838/0, 16-17=-3838/0, 17-19=-4665/0, 19-20=-4845/0, 20-21=-4674/0, 21-22=-3843/0, 22-23=-3843/0, 23-24=-2267/0
 BOT CHORD 35-37=0/1333, 34-35=0/3149, 32-34=0/4380, 31-32=0/4845, 30-31=0/4845, 29-30=0/4845, 28-29=0/4386, 27-28=0/3172, 26-27=0/1328
 WEBS 12-37=-265/0, 13-37=-1547/0, 13-35=0/1135, 15-35=-1233/0, 15-34=0/881, 24-26=-1663/0, 24-27=0/1223, 23-27=-1178/0, 23-28=0/856, 21-28=-693/0, 21-29=0/376, 17-34=-692/0, 17-32=0/371, 19-32=-277/0, 20-29=-263/0

NOTES-
 1) Unbalanced floor live loads have been considered for this design.
 2) All plates are MT20 plates unless otherwise indicated.
 3) All plates are 1.5x3 MT20 unless otherwise indicated.
 4) Plates checked for a plus or minus 1 degree rotation about its center.
 5) Gable studs spaced at 1-4-0 oc.
 6) Provide mechanical connection (by others) of truss to bearing plate capable of withstanding 349 lb uplift at joint 38.
 7) Recommend 2x6 strongbacks, on edge, spaced at 10-0-0 oc and fastened to each truss with 3-10d (0.131" X 3") nails. Strongbacks to be attached to walls at their outer ends or restrained by other means.
 8) CAUTION, Do not erect truss backwards.

LOAD CASE(S) Standard
 1) Dead + Floor Live (balanced): Lumber Increase=1.00, Plate Increase=1.00
 Uniform Loads (plf)
 Vert: 26-48=-10, 1-25=-100
 Concentrated Loads (lb)
 Vert: 4=-85 7=-85 10=-85 51=-85 52=-85 53=-85



Job	Truss	Truss Type	Qty	Ply	Precision/Lot 44 Summerlin/Harnett	E14950663
J0920-4493	F2	Floor	1	1	Job Reference (optional)	

Comtech, Inc., Fayetteville, NC - 28314,

8.330 s Jul 22 2020 MiTek Industries, Inc. Wed Oct 7 09:21:35 2020 Page 1
ID:JjP3_bNirdpeLXA5mDh?5?y7p3U-G2lCueWUKTvbCOSV98yb3bQvhGwZJDM?2uE4HDyVreE

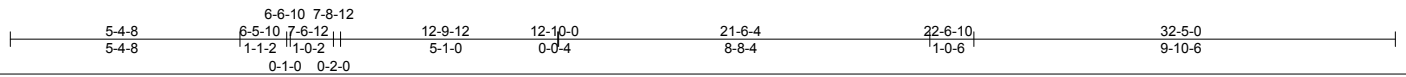
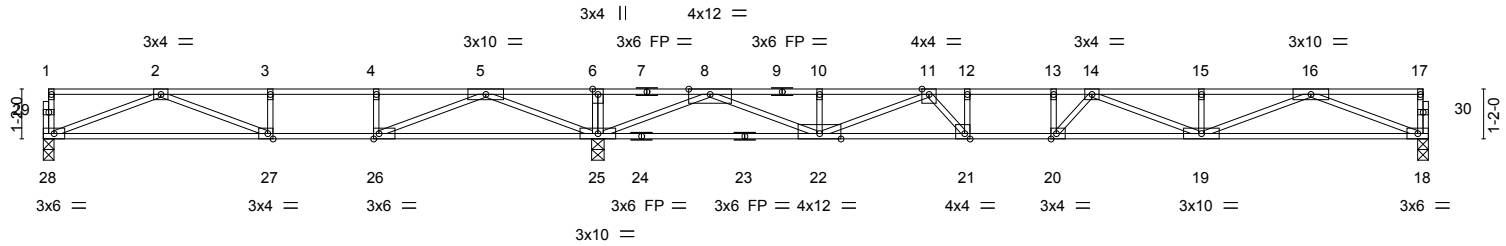


Plate Offsets (X,Y)-- [20:0-1-8,Edge], [21:0-1-8,Edge], [26:0-1-8,Edge], [27:0-1-8,Edge]

LOADING (psf)	SPACING-	CS.I.	DEFL.	in (loc)	l/defl	L/d	PLATES	GRIP
TCLL 40.0	Plate Grip DOL 1.00	TC 0.64	Vert(LL) -0.33	19-20	>711	480	MT20	244/190
TCDL 10.0	Lumber DOL 1.00	BC 0.52	Vert(CT) -0.44	19-20	>524	360		
BCLL 0.0	Rep Stress Incr YES	WB 0.98	Horz(CT) 0.06	18	n/a	n/a		
BCDL 5.0	Code IRC2015/TPI2014	Matrix-S						
							Weight: 155 lb	FT = 20%F, 11%E

LUMBER-	BRACING-
TOP CHORD 2x4 SP 2400F 2.0E(flat)	TOP CHORD Structural wood sheathing directly applied or 6-0-0 oc purlins, except end verticals.
BOT CHORD 2x4 SP 2400F 2.0E(flat)	BOT CHORD Rigid ceiling directly applied or 6-0-0 oc bracing.
WEBS 2x4 SP No.3(flat)	

REACTIONS. (size) 28=0-3-0, 25=0-3-8, 18=0-3-0
Max Grav 28=623(LC 3), 25=2067(LC 1), 18=965(LC 7)

FORCES. (lb) - Max. Comp./Max. Ten. - All forces 250 (lb) or less except when shown.
TOP CHORD 2-3=-1673/317, 3-4=-1673/317, 4-5=-1673/317, 5-6=0/2340, 6-8=0/2340, 8-10=-2690/0, 10-11=-2690/0, 11-12=-4029/0, 12-13=-4029/0, 13-14=-4029/0, 14-15=-3473/0, 15-16=-3473/0
BOT CHORD 27-28=-1/1256, 26-27=-317/1673, 25-26=-1085/690, 22-25=-213/874, 21-22=0/3740, 20-21=0/4029, 19-20=0/4054, 18-19=0/2118
WEBS 6-25=-315/0, 2-28=-1345/1, 2-27=-341/450, 5-25=-1924/0, 5-26=0/1469, 4-26=-441/0, 8-25=-2747/0, 8-22=0/2065, 10-22=-279/0, 16-18=-2272/0, 16-19=0/1462, 15-19=-251/0, 14-19=-628/0, 11-22=-1253/0, 11-21=0/820, 12-21=-502/0, 14-20=-412/340

- NOTES-**
- 1) Unbalanced floor live loads have been considered for this design.
 - 2) All plates are 1.5x3 MT20 unless otherwise indicated.
 - 3) Plates checked for a plus or minus 1 degree rotation about its center.
 - 4) Recommend 2x6 strongbacks, on edge, spaced at 10-0-0 oc and fastened to each truss with 3-10d (0.131" X 3") nails. Strongbacks to be attached to walls at their outer ends or restrained by other means.
 - 5) CAUTION, Do not erect truss backwards.



October 7, 2020

WARNING - Verify design parameters and READ NOTES ON THIS AND INCLUDED MITEK REFERENCE PAGE MII-7473 rev. 5/19/2020 BEFORE USE.

Design valid for use only with MiTek® connectors. This design is based only upon parameters shown, and is for an individual building component, not a truss system. Before use, the building designer must verify the applicability of design parameters and properly incorporate this design into the overall building design. Bracing indicated is to prevent buckling of individual truss web and/or chord members only. Additional temporary and permanent bracing is always required for stability and to prevent collapse with possible personal injury and property damage. For general guidance regarding the fabrication, storage, delivery, erection and bracing of trusses and truss systems, see **ANSI/TPI1 Quality Criteria, DSB-89 and BCSI Building Component Safety Information** available from Truss Plate Institute, 2670 Crain Highway, Suite 203 Waldorf, MD 20601

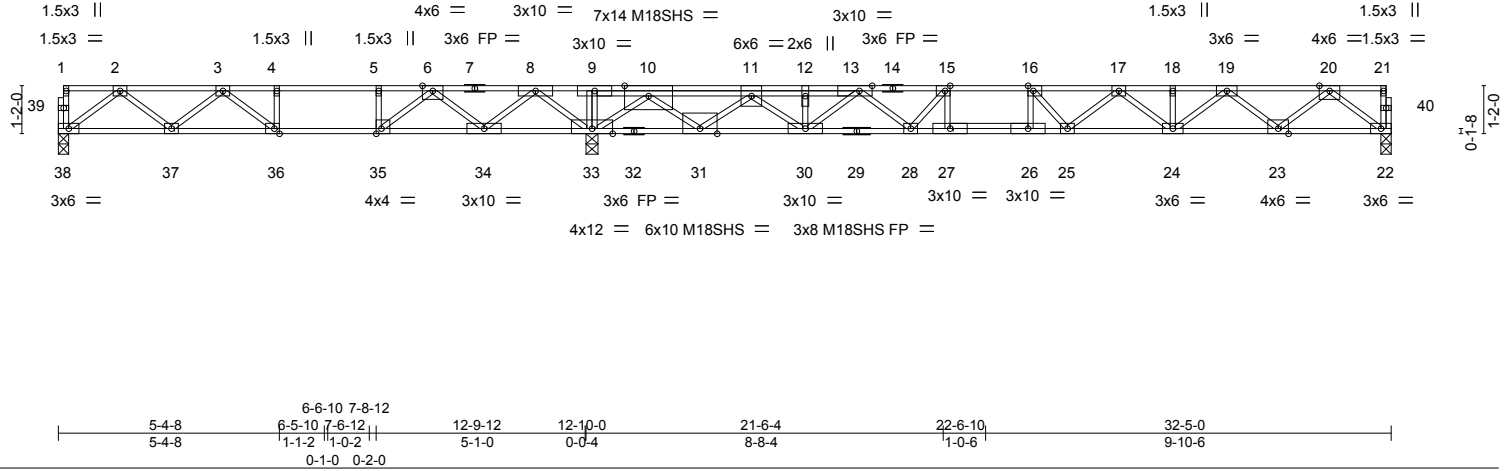


818 Soundside Road
Edenton, NC 27932

Job	Truss	Truss Type	Qty	Ply	Precision/Lot 44 Summerlin/Harnett	E14950664
J0920-4493	F3	Floor Girder	1	1	Job Reference (optional)	

Comtech, Inc., Fayetteville, NC - 28314,

8.330 s Jul 22 2020 MiTek Industries, Inc. Wed Oct 7 09:21:37 2020 Page 1
 ID:Jp3_bNirdpeLXA5mDh?5?y7p3U-CRtyJKXkG4AIRibtGY_380VA14YhnBJIWCjAL6yVreC



LOADING (psf)	SPACING-	CSI.	DEFL.	PLATES	GRIP
TCLL 40.0	Plate Grip DOL 1.00	TC 0.97	Vert(LL) -0.31 26-27 >737 480	MT20	244/190
TCDL 10.0	Lumber DOL 1.00	BC 0.74	Vert(CT) -0.43 26 >542 360	M18SHS	244/190
BCLL 0.0	Rep Stress Incr NO	WB 0.76	Horz(CT) 0.06 22 n/a n/a		
BCDL 5.0	Code IRC2015/TPI2014	Matrix-S			
				Weight: 173 lb	FT = 20%F, 11%E

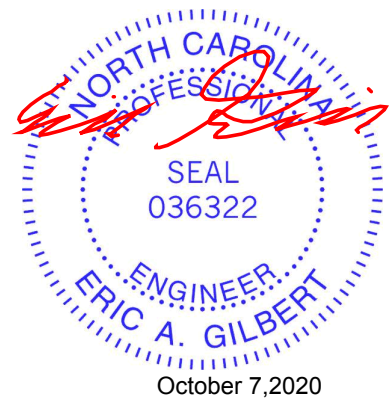
LUMBER-	BRACING-
TOP CHORD 2x4 SP 2400F 2.0E(flat)	TOP CHORD Structural wood sheathing directly applied or 6-0-0 oc purlins, except end verticals.
BOT CHORD 2x4 SP 2400F 2.0E(flat)	BOT CHORD Rigid ceiling directly applied or 6-0-0 oc bracing.
WEBS 2x4 SP No.3(flat) *Except* 10-31: 2x4 SP No.2(flat)	

REACTIONS. (size) 38=0-3-0, 33=0-3-8, 22=0-3-0
 Max Uplift 38=67(LC 4)
 Max Grav 38=512(LC 3), 33=2984(LC 1), 22=1064(LC 4)

FORCES. (lb) - Max. Comp./Max. Ten. - All forces 250 (lb) or less except when shown.
 TOP CHORD 2-3=-939/222, 3-4=-973/1005, 4-5=-973/1005, 5-6=-973/1005, 6-8=0/2192, 8-9=0/3914, 9-10=0/3910, 10-11=-1377/0, 11-12=-4224/0, 12-13=-4224/0, 13-15=-4836/0, 15-16=-4935/0, 16-17=-4761/0, 17-18=-3898/0, 18-19=-3898/0, 19-20=-2295/0
 BOT CHORD 37-38=-104/624, 36-37=-467/1153, 35-36=-1005/973, 34-35=-1701/253, 33-34=-2609/0, 31-33=-1279/0, 30-31=0/3453, 28-30=0/4622, 27-28=0/4935, 26-27=0/4935, 25-26=0/4935, 24-25=0/4453, 23-24=0/3213, 22-23=0/1343
 WEBS 2-38=-779/132, 2-37=-154/410, 3-37=-279/318, 3-36=-699/0, 4-36=0/280, 8-33=-1752/0, 8-34=0/1059, 6-34=-1178/0, 6-35=0/1346, 5-35=-583/0, 20-22=-1682/0, 20-23=0/1240, 19-23=-1195/0, 19-24=0/874, 10-33=-3235/0, 10-31=0/2703, 11-31=-2689/0, 11-30=0/1010, 13-30=-579/0, 13-28=-81/402, 17-24=-709/0, 17-25=0/540, 16-25=-607/79, 16-26=-242/250, 15-28=-441/243, 15-27=-255/237

- NOTES-**
- 1) Unbalanced floor live loads have been considered for this design.
 - 2) All plates are MT20 plates unless otherwise indicated.
 - 3) All plates are 3x4 MT20 unless otherwise indicated.
 - 4) Plates checked for a plus or minus 1 degree rotation about its center.
 - 5) Provide mechanical connection (by others) of truss to bearing plate capable of withstanding 67 lb uplift at joint 38.
 - 6) Recommend 2x6 strongbacks, on edge, spaced at 10-0-0 oc and fastened to each truss with 3-10d (0.131" X 3") nails. Strongbacks to be attached to walls at their outer ends or restrained by other means.
 - 7) CAUTION, Do not erect truss backwards.
 - 8) Hanger(s) or other connection device(s) shall be provided sufficient to support concentrated load(s) 983 lb down at 16-10-4 on top chord. The design/selection of such connection device(s) is the responsibility of others.
 - 9) In the LOAD CASE(S) section, loads applied to the face of the truss are noted as front (F) or back (B).

LOAD CASE(S) Standard
 1) Dead + Floor Live (balanced): Lumber Increase=1.00, Plate Increase=1.00
 Uniform Loads (plf)
 Vert: 22-38=-10, 1-21=-100



Continued on page 2

WARNING - Verify design parameters and READ NOTES ON THIS AND INCLUDED MITEK REFERENCE PAGE MII-7473 rev. 5/19/2020 BEFORE USE.
 Design valid for use only with MiTek® connectors. This design is based only upon parameters shown, and is for an individual building component, not a truss system. Before use, the building designer must verify the applicability of design parameters and properly incorporate this design into the overall building design. Bracing indicated is to prevent buckling of individual truss web and/or chord members only. Additional temporary and permanent bracing is always required for stability and to prevent collapse with possible personal injury and property damage. For general guidance regarding the fabrication, storage, delivery, erection and bracing of trusses and truss systems, see **ANSI/TPI1 Quality Criteria, DSB-89 and BCSI Building Component Safety Information** available from Truss Plate Institute, 2670 Crain Highway, Suite 203 Waldorf, MD 20601

ENGINEERING BY
TRENCO
 A MiTek Affiliate
 818 Soundside Road
 Edenton, NC 27932

Job	Truss	Truss Type	Qty	Ply	Precision/Lot 44 Summerlin/Harnett	E14950664
J0920-4493	F3	Floor Girder	1	1	Job Reference (optional)	

Comtech, Inc. Fayetteville, NC - 28314,

8.330 s Jul 22 2020 MiTek Industries, Inc. Wed Oct 7 09:21:37 2020 Page 2
 ID:Jjp3_bNirdpeLXA5mDh?5?y7p3U-CRtyJKXkG4AIRibtGY_380VA14YhnBJIWCjAL6yVreC

LOAD CASE(S) Standard
 Concentrated Loads (lb)
 Vert: 11=-903(B)

WARNING - Verify design parameters and READ NOTES ON THIS AND INCLUDED MITEK REFERENCE PAGE MII-7473 rev. 5/19/2020 BEFORE USE.

Design valid for use only with MiTek® connectors. This design is based only upon parameters shown, and is for an individual building component, not a truss system. Before use, the building designer must verify the applicability of design parameters and properly incorporate this design into the overall building design. Bracing indicated is to prevent buckling of individual truss web and/or chord members only. Additional temporary and permanent bracing is always required for stability and to prevent collapse with possible personal injury and property damage. For general guidance regarding the fabrication, storage, delivery, erection and bracing of trusses and truss systems, see **ANSI/TPI1 Quality Criteria, DSB-89 and BCSI Building Component Safety Information** available from Truss Plate Institute, 2670 Crain Highway, Suite 203 Waldorf, MD 20601



818 Soundside Road
 Edenton, NC 27932

Job	Truss	Truss Type	Qty	Ply	Precision/Lot 44 Summerlin/Harnett	E14950665
J0920-4493	F4	Floor	6	1	Job Reference (optional)	

Comtech, Inc., Fayetteville, NC - 28314,

8.330 s Jul 22 2020 MiTek Industries, Inc. Wed Oct 7 09:21:37 2020 Page 1
ID:Jjp3_bNirdpeLXA5mDh?5?y7p3U-CRtyJKXkG4AIRibtGY_380VJ74Y9nE_IWCjAL6yVreC

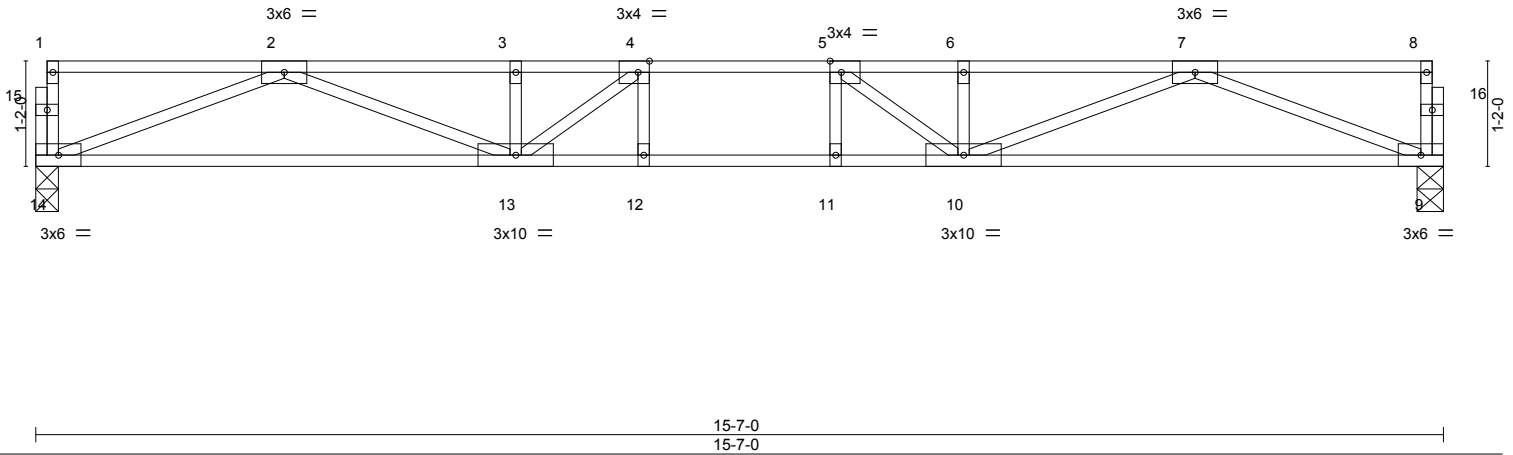
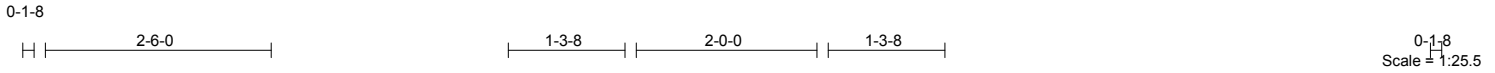


Plate Offsets (X,Y)-- [4:0-1-8,Edge], [5:0-1-8,Edge]

LOADING (psf)	SPACING-	2-0-0	CSI.	DEFL.	in (loc)	l/defl	L/d	PLATES	GRIP
TCLL 40.0	Plate Grip DOL	1.00	TC 0.39	Vert(LL)	-0.19 11-12	>982	480	MT20	244/190
TCDL 10.0	Lumber DOL	1.00	BC 0.71	Vert(CT)	-0.26 11-12	>704	360		
BCLL 0.0	Rep Stress Incr	YES	WB 0.53	Horz(CT)	0.05 9	n/a	n/a		
BCDL 5.0	Code	IRC2015/TPI2014	Matrix-S					Weight: 77 lb	FT = 20%F, 11%E

LUMBER-
TOP CHORD 2x4 SP No.1 (flat)
BOT CHORD 2x4 SP No.1 (flat)
WEBS 2x4 SP No.3 (flat)

BRACING-
TOP CHORD Structural wood sheathing directly applied or 6-0-0 oc purlins, except end verticals.
BOT CHORD Rigid ceiling directly applied or 10-0-0 oc bracing.

REACTIONS. (size) 14=0-3-0, 9=0-3-8
Max Grav 14=837(LC 1), 9=837(LC 1)

FORCES. (lb) - Max. Comp./Max. Ten. - All forces 250 (lb) or less except when shown.
TOP CHORD 2-3=-2816/0, 3-4=-2816/0, 4-5=-3056/0, 5-6=-2816/0, 6-7=-2816/0
BOT CHORD 13-14=0/1801, 12-13=0/3056, 11-12=0/3056, 10-11=0/3056, 9-10=0/1801
WEBS 2-14=-1931/0, 2-13=0/1095, 7-9=-1931/0, 7-10=0/1095, 5-10=-589/60, 4-13=-589/60

- NOTES-**
- 1) Unbalanced floor live loads have been considered for this design.
 - 2) All plates are 1.5x3 MT20 unless otherwise indicated.
 - 3) Plates checked for a plus or minus 1 degree rotation about its center.
 - 4) Recommend 2x6 strongbacks, on edge, spaced at 10-0-0 oc and fastened to each truss with 3-10d (0.131" X 3") nails. Strongbacks to be attached to walls at their outer ends or restrained by other means.



October 7, 2020

WARNING - Verify design parameters and READ NOTES ON THIS AND INCLUDED MITEK REFERENCE PAGE MII-7473 rev. 5/19/2020 BEFORE USE.

Design valid for use only with MiTek® connectors. This design is based only upon parameters shown, and is for an individual building component, not a truss system. Before use, the building designer must verify the applicability of design parameters and properly incorporate this design into the overall building design. Bracing indicated is to prevent buckling of individual truss web and/or chord members only. Additional temporary and permanent bracing is always required for stability and to prevent collapse with possible personal injury and property damage. For general guidance regarding the fabrication, storage, delivery, erection and bracing of trusses and truss systems, see **ANSI/TPI1 Quality Criteria, DSB-89 and BCSI Building Component Safety Information** available from Truss Plate Institute, 2670 Crain Highway, Suite 203 Waldorf, MD 20601



818 Soundside Road
Edenton, NC 27932

Job	Truss	Truss Type	Qty	Ply	Precision/Lot 44 Summerlin/Harnett	E14950666
J0920-4493	F5	Floor	10	1	Job Reference (optional)	

Comtech, Inc., Fayetteville, NC - 28314,

8.330 s Jul 22 2020 MiTek Industries, Inc. Wed Oct 7 09:21:38 2020 Page 1
ID:Jjp3_bNirdpeLXA5mDh?5y7p3U-hdQKWgYMO0I93sA4qGVlH2TwTsMWghSkrSktYyVreB

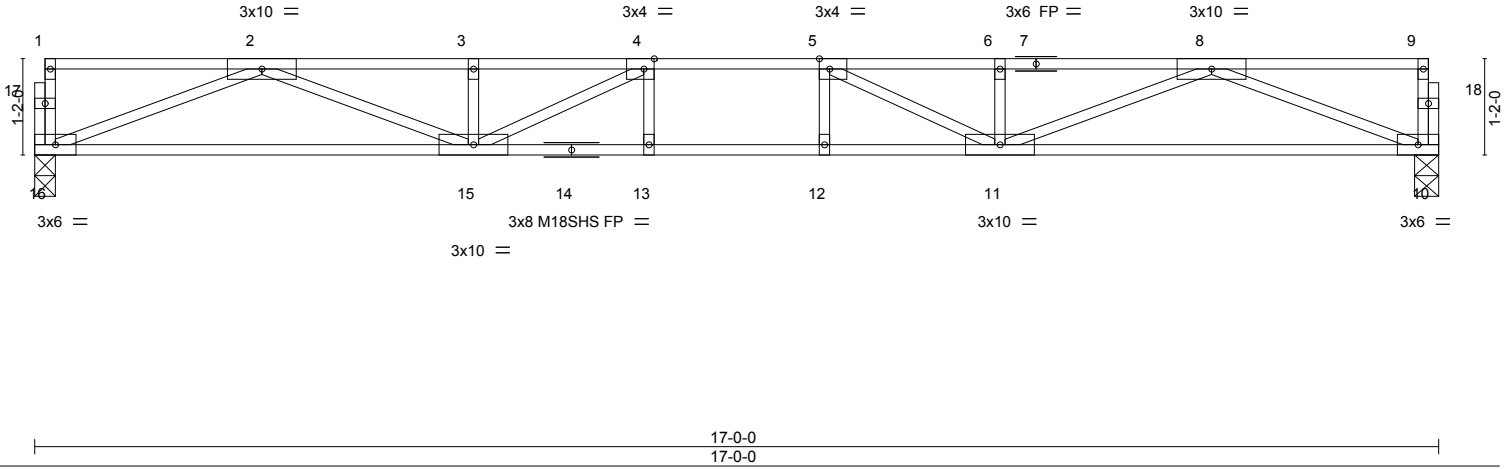
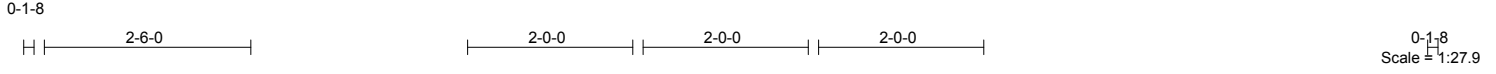


Plate Offsets (X,Y)-- [4:0-1-8,Edge], [5:0-1-8,Edge]

LOADING (psf)	SPACING-	2-0-0	CSI.	DEFL.	in (loc)	l/defl	L/d	PLATES	GRIP
TCLL 40.0	Plate Grip DOL	1.00	TC 0.45	Vert(LL)	-0.26 12-13	>774	480	MT20	244/190
TCDL 10.0	Lumber DOL	1.00	BC 0.84	Vert(CT)	-0.36 12-13	>558	360	M18SHS	244/190
BCLL 0.0	Rep Stress Incr	YES	WB 0.63	Horz(CT)	0.06 10	n/a	n/a		
BCDL 5.0	Code	IRC2015/TPI2014	Matrix-S					Weight: 83 lb	FT = 20%F, 11%E

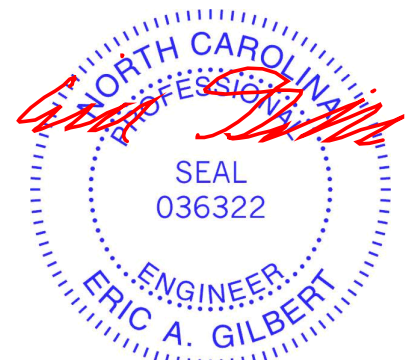
LUMBER-
 TOP CHORD 2x4 SP No.1(flat)
 BOT CHORD 2x4 SP No.1(flat)
 WEBS 2x4 SP No.3(flat)

BRACING-
 TOP CHORD Structural wood sheathing directly applied or 6-0-0 oc purlins, except end verticals.
 BOT CHORD Rigid ceiling directly applied or 10-0-0 oc bracing.

REACTIONS. (size) 16=0-3-0, 10=0-3-8
 Max Grav 16=915(LC 1), 10=915(LC 1)

FORCES. (lb) - Max. Comp./Max. Ten. - All forces 250 (lb) or less except when shown.
 TOP CHORD 2-3=-3211/0, 3-4=-3211/0, 4-5=-3659/0, 5-6=-3211/0, 6-8=-3211/0
 BOT CHORD 15-16=0/1994, 13-15=0/3659, 12-13=0/3659, 11-12=0/3659, 10-11=0/1994
 WEBS 2-16=-2138/0, 2-15=0/1314, 3-15=-273/17, 8-10=-2138/0, 8-11=0/1314, 6-11=-273/17,
 5-11=-800/0, 4-15=-800/0

- NOTES-**
- 1) Unbalanced floor live loads have been considered for this design.
 - 2) All plates are MT20 plates unless otherwise indicated.
 - 3) All plates are 1.5x3 MT20 unless otherwise indicated.
 - 4) Plates checked for a plus or minus 1 degree rotation about its center.
 - 5) Recommend 2x6 strongbacks, on edge, spaced at 10-0-0 oc and fastened to each truss with 3-10d (0.131" X 3") nails. Strongbacks to be attached to walls at their outer ends or restrained by other means.



October 7, 2020

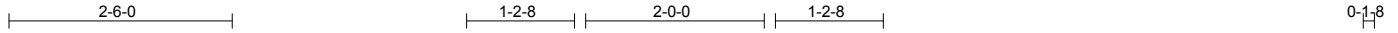
WARNING - Verify design parameters and READ NOTES ON THIS AND INCLUDED MITEK REFERENCE PAGE MII-7473 rev. 5/19/2020 BEFORE USE.
 Design valid for use only with MiTek® connectors. This design is based only upon parameters shown, and is for an individual building component, not a truss system. Before use, the building designer must verify the applicability of design parameters and properly incorporate this design into the overall building design. Bracing indicated is to prevent buckling of individual truss web and/or chord members only. Additional temporary and permanent bracing is always required for stability and to prevent collapse with possible personal injury and property damage. For general guidance regarding the fabrication, storage, delivery, erection and bracing of trusses and truss systems, see **ANSI/TPI1 Quality Criteria, DSB-89 and BCSI Building Component Safety Information** available from Truss Plate Institute, 2670 Crain Highway, Suite 203 Waldorf, MD 20601

ENGINEERING BY
TRENCO
 A MiTek Affiliate
 818 Soundside Road
 Edenton, NC 27932

Job	Truss	Truss Type	Qty	Ply	Precision/Lot 44 Summerlin/Harnett	E14950667
J0920-4493	F6	Floor	2	1	Job Reference (optional)	

Comtech, Inc., Fayetteville, NC - 28314,

8.330 s Jul 22 2020 MiTek Industries, Inc. Wed Oct 7 09:21:39 2020 Page 1
ID:JJp3_bNirdpeLXA5mDh75?y7p3U-9p_jk0Z_nhQ0h0lGOz1XERafitFrF8XbzVCHQ_yVreA



Scale = 1:25.8

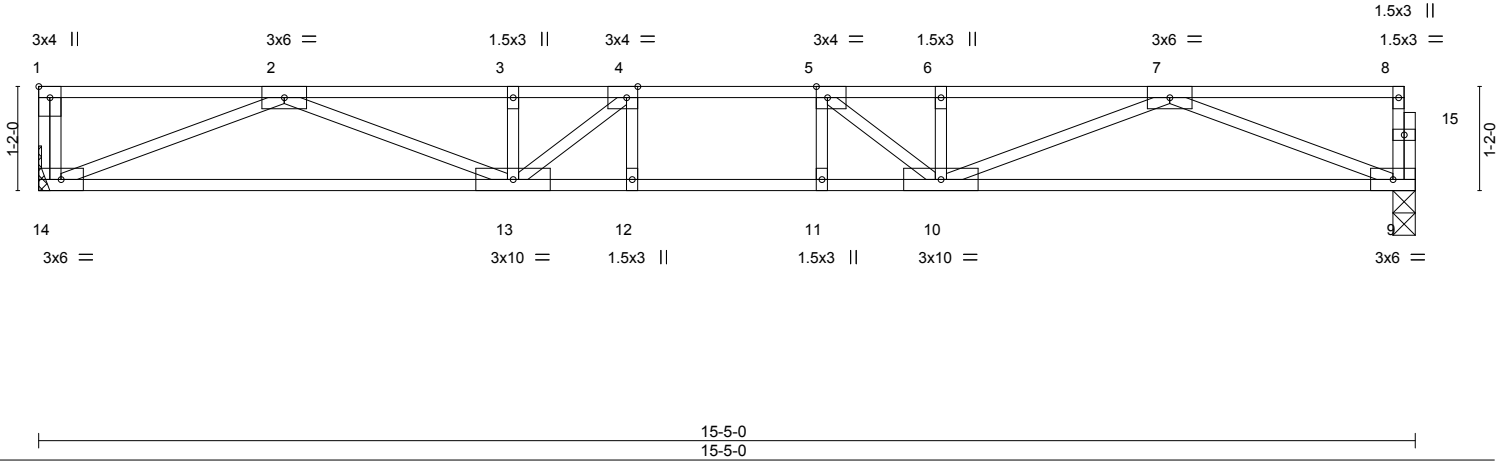


Plate Offsets (X,Y)-- [1:Edge,0-1-8], [4:0-1-8,Edge], [5:0-1-8,Edge]

LOADING (psf)	SPACING-	2-0-0	CSI.	DEFL.	in (loc)	l/defl	L/d	PLATES	GRIP
TCLL 40.0	Plate Grip DOL	1.00	TC 0.39	Vert(LL)	-0.18 11-12	>999	480	MT20	244/190
TCDL 10.0	Lumber DOL	1.00	BC 0.69	Vert(CT)	-0.25 11-12	>724	360		
BCLL 0.0	Rep Stress Incr	YES	WB 0.52	Horz(CT)	0.05 9	n/a	n/a		
BCDL 5.0	Code	IRC2015/TPI2014	Matrix-S					Weight: 77 lb	FT = 20%F, 11%E

LUMBER-
 TOP CHORD 2x4 SP No.1 (flat)
 BOT CHORD 2x4 SP No.1 (flat)
 WEBS 2x4 SP No.3 (flat)

BRACING-
 TOP CHORD Structural wood sheathing directly applied or 6-0-0 oc purlins, except end verticals.
 BOT CHORD Rigid ceiling directly applied or 10-0-0 oc bracing.

REACTIONS. (size) 14=Mechanical, 9=0-3-0
 Max Grav 14=834(LC 1), 9=828(LC 1)

FORCES. (lb) - Max. Comp./Max. Ten. - All forces 250 (lb) or less except when shown.
 TOP CHORD 2-3=-2769/0, 3-4=-2769/0, 4-5=-2989/0, 5-6=-2770/0, 6-7=-2770/0
 BOT CHORD 13-14=0/1781, 12-13=0/2989, 11-12=0/2989, 10-11=0/2989, 9-10=0/1779
 WEBS 2-14=-1916/0, 2-13=0/1067, 7-9=-1907/0, 7-10=0/1070, 5-10=-568/70, 4-13=-568/69

- NOTES-**
- 1) Unbalanced floor live loads have been considered for this design.
 - 2) Plates checked for a plus or minus 1 degree rotation about its center.
 - 3) Refer to girder(s) for truss to truss connections.
 - 4) Recommend 2x6 strongbacks, on edge, spaced at 10-0-0 oc and fastened to each truss with 3-10d (0.131" X 3") nails. Strongbacks to be attached to walls at their outer ends or restrained by other means.
 - 5) CAUTION, Do not erect truss backwards.



October 7, 2020

WARNING - Verify design parameters and READ NOTES ON THIS AND INCLUDED MITEK REFERENCE PAGE MII-7473 rev. 5/19/2020 BEFORE USE.
 Design valid for use only with MiTek® connectors. This design is based only upon parameters shown, and is for an individual building component, not a truss system. Before use, the building designer must verify the applicability of design parameters and properly incorporate this design into the overall building design. Bracing indicated is to prevent buckling of individual truss web and/or chord members only. Additional temporary and permanent bracing is always required for stability and to prevent collapse with possible personal injury and property damage. For general guidance regarding the fabrication, storage, delivery, erection and bracing of trusses and truss systems, see **ANSI/TPI1 Quality Criteria, DSB-89 and BCSI Building Component Safety Information** available from Truss Plate Institute, 2670 Crain Highway, Suite 203 Waldorf, MD 20601

ENGINEERING BY
TRENCO
 A MiTek Affiliate
 818 Soundside Road
 Edenton, NC 27932

Job	Truss	Truss Type	Qty	Ply	Precision/Lot 44 Summerlin/Harnett	E14950668
J0920-4493	F7	Floor	4	1	Job Reference (optional)	

Comtech, Inc., Fayetteville, NC - 28314,

8.330 s Jul 22 2020 MiTek Industries, Inc. Wed Oct 7 09:21:39 2020 Page 1
ID:JJp3_bNirdpeLXA5mDh?5?y7p3U-9p_jk0Z_nhQ0h0lGOz1XERafOtENf8NbZVCHQ_yVreA

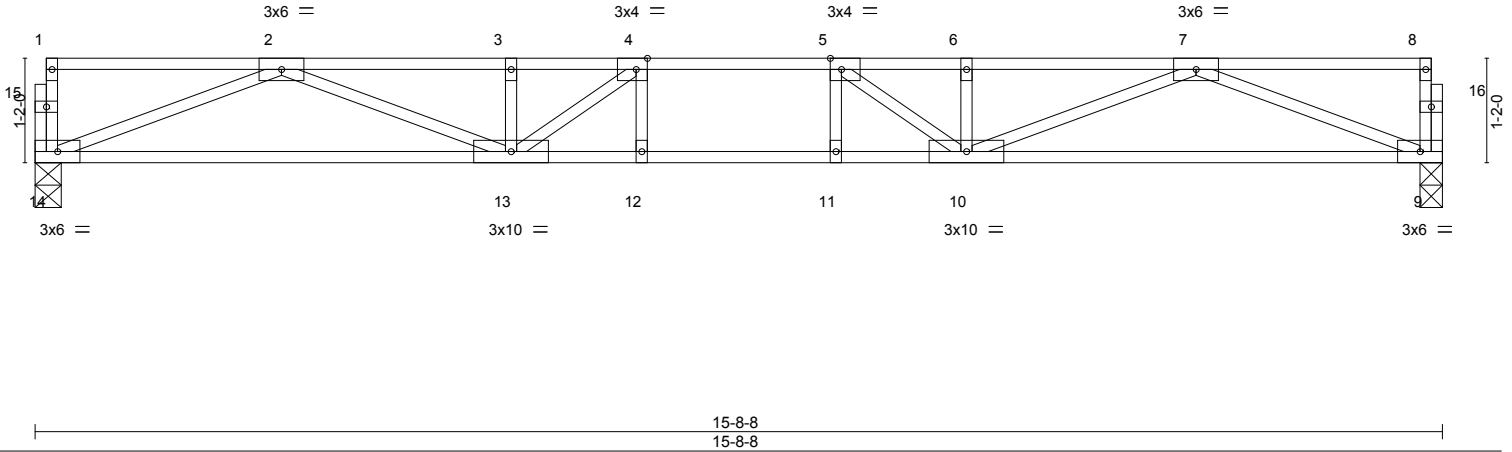
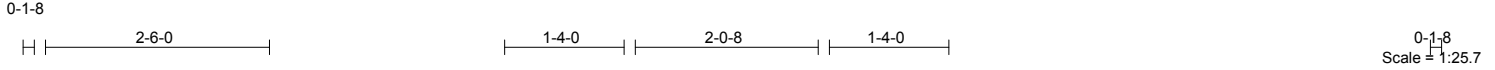


Plate Offsets (X,Y)-- [4:0-1-8,Edge], [5:0-1-8,Edge]

LOADING (psf)	SPACING-	2-0-0	CSI.	DEFL.	in (loc)	l/defl	L/d	PLATES	GRIP
TCLL 40.0	Plate Grip DOL	1.00	TC 0.41	Vert(LL)	-0.19 11-12	>961	480	MT20	244/190
TCDL 10.0	Lumber DOL	1.00	BC 0.72	Vert(CT)	-0.27 11-12	>689	360		
BCLL 0.0	Rep Stress Incr	YES	WB 0.53	Horz(CT)	0.05 9	n/a	n/a		
BCDL 5.0	Code	IRC2015/TPI2014	Matrix-S					Weight: 77 lb	FT = 20%F, 11%E

LUMBER-
TOP CHORD 2x4 SP No.1 (flat)
BOT CHORD 2x4 SP No.1 (flat)
WEBS 2x4 SP No.3 (flat)

BRACING-
TOP CHORD Structural wood sheathing directly applied or 6-0-0 oc purlins, except end verticals.
BOT CHORD Rigid ceiling directly applied or 10-0-0 oc bracing.

REACTIONS. (size) 14=0-3-8, 9=0-3-0
Max Grav 14=844(LC 1), 9=844(LC 1)

FORCES. (lb) - Max. Comp./Max. Ten. - All forces 250 (lb) or less except when shown.
TOP CHORD 2-3=-2850/0, 3-4=-2850/0, 4-5=-3105/0, 5-6=-2850/0, 6-7=-2850/0
BOT CHORD 13-14=0/1818, 12-13=0/3105, 11-12=0/3105, 10-11=0/3105, 9-10=0/1818
WEBS 2-14=-1950/0, 2-13=0/1113, 7-9=-1950/0, 7-10=0/1113, 5-10=-607/51, 4-13=-607/51

- NOTES-**
- 1) Unbalanced floor live loads have been considered for this design.
 - 2) All plates are 1.5x3 MT20 unless otherwise indicated.
 - 3) Plates checked for a plus or minus 1 degree rotation about its center.
 - 4) Recommend 2x6 strongbacks, on edge, spaced at 10-0-0 oc and fastened to each truss with 3-10d (0.131" X 3") nails. Strongbacks to be attached to walls at their outer ends or restrained by other means.



October 7, 2020

WARNING - Verify design parameters and READ NOTES ON THIS AND INCLUDED MITEK REFERENCE PAGE MII-7473 rev. 5/19/2020 BEFORE USE.

Design valid for use only with MiTek® connectors. This design is based only upon parameters shown, and is for an individual building component, not a truss system. Before use, the building designer must verify the applicability of design parameters and properly incorporate this design into the overall building design. Bracing indicated is to prevent buckling of individual truss web and/or chord members only. Additional temporary and permanent bracing is always required for stability and to prevent collapse with possible personal injury and property damage. For general guidance regarding the fabrication, storage, delivery, erection and bracing of trusses and truss systems, see **ANSI/TPI1 Quality Criteria, DSB-89 and BCSI Building Component Safety Information** available from Truss Plate Institute, 2670 Crain Highway, Suite 203 Waldorf, MD 20601

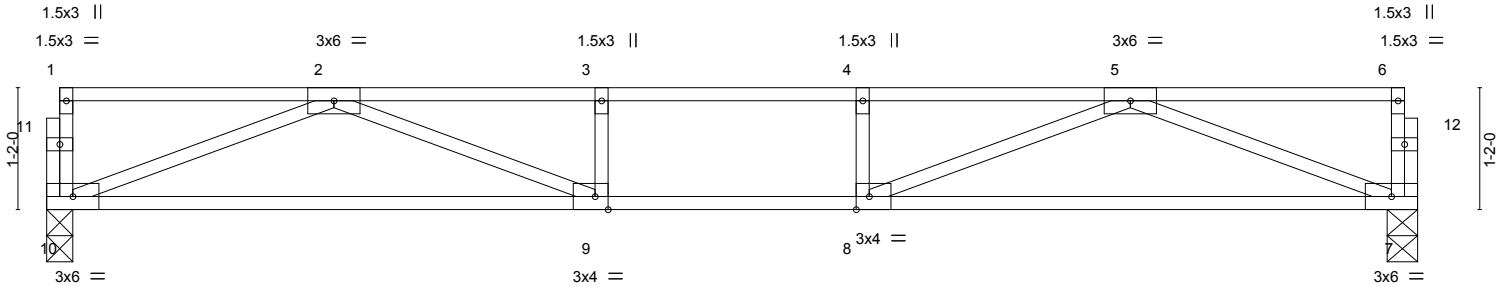
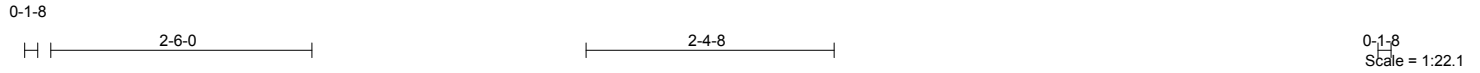


818 Soundside Road
Edenton, NC 27932

Job	Truss	Truss Type	Qty	Ply	Precision/Lot 44 Summerlin/Harnett	E14950669
J0920-4493	F8	FLOOR	7	1		

Comtech, Inc., Fayetteville, NC - 28314,

8.330 s Jul 22 2020 MiTek Industries, Inc. Wed Oct 7 09:21:40 2020 Page 1
ID:JjP3_bNirdpeLXA5mDh75?y7p3U-d0Y5xMadY?YtI9KSxhYmmf7pYHd0_dIIC9xyRyVre9



6-5-12	7-7-0	13-1-8
6-5-12	1-1-4	5-6-8

Plate Offsets (X,Y)-- [8:0-1-8,Edge], [9:0-1-8,Edge]

LOADING (psf)	SPACING-	CSI.	DEFL.	in (loc)	l/defl	L/d	PLATES	GRIP
TCLL 40.0	2-0-0	TC 0.51	Vert(LL)	-0.20	9-10	>787	MT20	244/190
TCDL 10.0	Plate Grip DOL 1.00	BC 0.57	Vert(CT)	-0.27	9-10	>569		
BCLL 0.0	Lumber DOL 1.00	WB 0.43	Horz(CT)	0.03	7	n/a		
BCDL 5.0	Rep Stress Incr YES	Matrix-S					Weight: 62 lb	FT = 20%F, 11%E
	Code IRC2015/TPI2014							

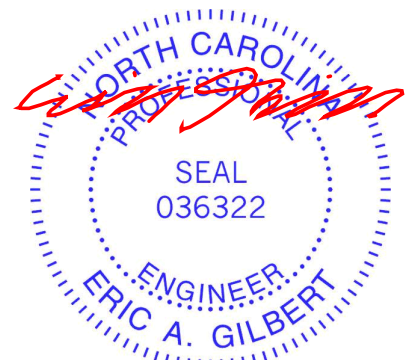
LUMBER-
TOP CHORD 2x4 SP No.1 (flat)
BOT CHORD 2x4 SP No.1 (flat)
WEBS 2x4 SP No.3 (flat)

BRACING-
TOP CHORD Structural wood sheathing directly applied or 6-0-0 oc purlins, except end verticals.
BOT CHORD Rigid ceiling directly applied or 10-0-0 oc bracing.

REACTIONS. (size) 10=0-3-0, 7=0-3-8
Max Grav 10=702(LC 1), 7=702(LC 1)

FORCES. (lb) - Max. Comp./Max. Ten. - All forces 250 (lb) or less except when shown.
TOP CHORD 2-3=-2160/0, 3-4=-2160/0, 4-5=-2160/0
BOT CHORD 9-10=0/1456, 8-9=0/2160, 7-8=0/1456
WEBS 2-10=-1560/0, 2-9=0/870, 5-7=-1560/0, 5-8=0/870

NOTES-
1) Unbalanced floor live loads have been considered for this design.
2) Plates checked for a plus or minus 1 degree rotation about its center.
3) Recommend 2x6 strongbacks, on edge, spaced at 10-0-0 oc and fastened to each truss with 3-10d (0.131" X 3") nails.
Strongbacks to be attached to walls at their outer ends or restrained by other means.



October 7, 2020

Job	Truss	Truss Type	Qty	Ply	Precision/Lot 44 Summerlin/Harnett	E14950670
J0920-4493	F9-GR	FLOOR GIRDER	1	1	Job Reference (optional)	

Comtech, Inc., Fayetteville, NC - 28314,

8.330 s Jul 22 2020 MiTek Industries, Inc. Wed Oct 7 09:21:40 2020 Page 1
ID:Jjp3_bNirdpeLXA5mDh75?y7p3U-d0Y5xMadY?Ytl9KSxhYmmf7vvHh9_dyIC9xyRyVre9

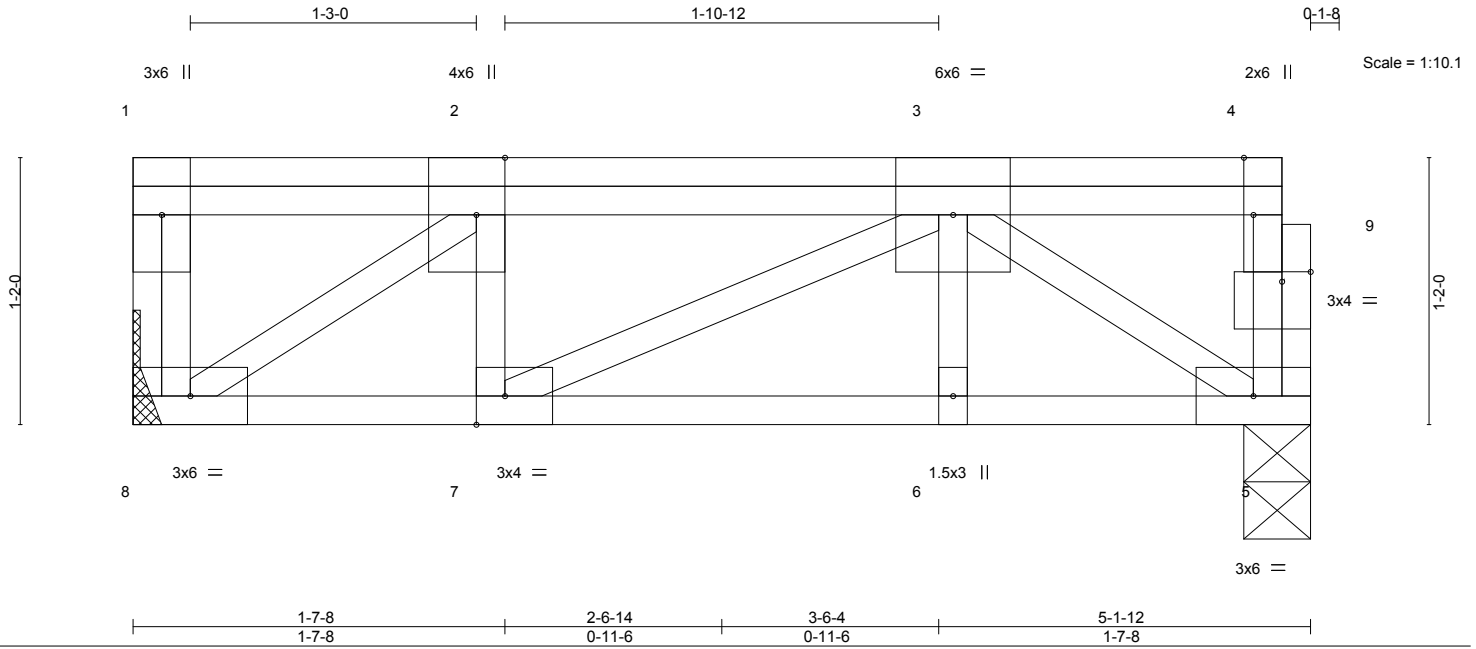


Plate Offsets (X,Y)--	[2:0-3-0,Edge], [4:0-3-0,Edge], [7:0-1-8,Edge], [9:0-1-8,0-0-8]
-----------------------	---

LOADING (psf)	SPACING-	2-0-0	CSI.	DEFL.	in (loc)	l/defl	L/d	PLATES	GRIP
TCLL 40.0	Plate Grip DOL	1.00	TC 0.10	Vert(LL)	-0.02	6-7	>999	MT20	244/190
TCDL 10.0	Lumber DOL	1.00	BC 0.30	Vert(CT)	-0.02	6-7	>999		
BCLL 0.0	Rep Stress Incr	NO	WB 0.38	Horz(CT)	0.01	5	n/a		
BCDL 5.0	Code	IRC2015/TPI2014	Matrix-P					Weight: 37 lb	FT = 20%F, 11%E

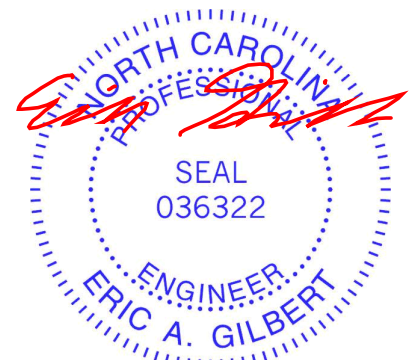
LUMBER-	BRACING-
TOP CHORD 2x4 SP No.1(flat)	TOP CHORD Structural wood sheathing directly applied or 5-1-12 oc purlins, except end verticals.
BOT CHORD 2x4 SP No.1(flat)	BOT CHORD Rigid ceiling directly applied or 10-0-0 oc bracing.
WEBS 2x4 SP No.3(flat)	

REACTIONS. (size) 8=Mechanical, 5=0-3-8
Max Grav 8=1003(LC 1), 5=997(LC 1)

FORCES. (lb) - Max. Comp./Max. Ten. - All forces 250 (lb) or less except when shown.
TOP CHORD 2-3=-1355/0
BOT CHORD 7-8=0/1355, 6-7=0/1341, 5-6=0/1341
WEBS 2-8=-1640/0, 3-5=-1616/0

- NOTES-**
- Plates checked for a plus or minus 1 degree rotation about its center.
 - Refer to girder(s) for truss to truss connections.
 - Recommend 2x6 strongbacks, on edge, spaced at 10-0-0 oc and fastened to each truss with 3-10d (0.131" X 3") nails. Strongbacks to be attached to walls at their outer ends or restrained by other means.
 - CAUTION, Do not erect truss backwards.
 - Hanger(s) or other connection device(s) shall be provided sufficient to support concentrated load(s) 734 lb down at 1-10-4, and 734 lb down at 3-10-4 on top chord. The design/selection of such connection device(s) is the responsibility of others.
 - In the LOAD CASE(S) section, loads applied to the face of the truss are noted as front (F) or back (B).

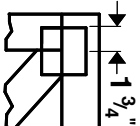
LOAD CASE(S) Standard
1) Dead + Floor Live (balanced): Lumber Increase=1.00, Plate Increase=1.00
Uniform Loads (plf)
Vert: 5-8=-10, 1-4=-100
Concentrated Loads (lb)
Vert: 2=-734(F) 3=-734(F)



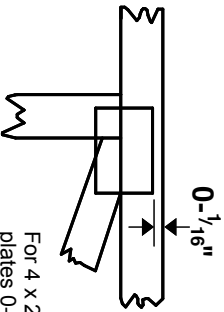
October 7, 2020

Symbols

PLATE LOCATION AND ORIENTATION



Center plate on joint unless x, y offsets are indicated. Dimensions are in ft-in-sixteenths. Apply plates to both sides of truss and fully embed teeth.



For 4 x 2 orientation, locate plates 0- 1/16" from outside edge of truss.



This symbol indicates the required direction of slots in connector plates.

* Plate location details available in **MITek 20/20 software or upon request.**

PLATE SIZE

4 X 4

The first dimension is the plate width measured perpendicular to slots. Second dimension is the length parallel to slots.

LATERAL BRACING LOCATION



Indicated by symbol shown and/or by text in the bracing section of the output. Use T or I bracing if indicated.

BEARING



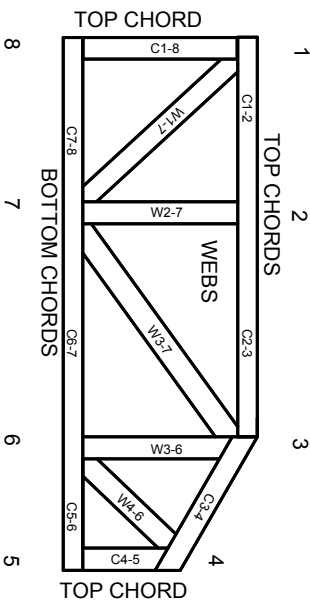
Indicates location where bearings (supports) occur. Icons vary but reaction section indicates joint number where bearings occur. Min size shown is for crushing only.

Industry Standards:

ANSI/TP1: National Design Specification for Metal Plate Connected Wood Truss Construction.
DSB-89: Design Standard for Bracing.
BCSI: Building Component Safety Information, Guide to Good Practice for Handling, Installing & Bracing of Metal Plate Connected Wood Trusses.

Numbering System

6-4-8
dimensions shown in ft-in-sixteenths
(Drawings not to scale)



JOINTS ARE GENERALLY NUMBERED/LETTERED CLOCKWISE AROUND THE TRUSS STARTING AT THE JOINT FARTHEST TO THE LEFT.

CHORDS AND WEBS ARE IDENTIFIED BY END JOINT NUMBERS/LETTERS.

PRODUCT CODE APPROVALS

ICC-ES Reports:

ESR-1311, ESR-1352, ESR1988
ER-3907, ESR-2362, ESR-1397, ESR-3282

Trusses are designed for wind loads in the plane of the truss unless otherwise shown.
Lumber design values are in accordance with ANSI/TP1 section 6.3 These truss designs rely on lumber values established by others.

© 2012 MITteK® All Rights Reserved



MITek Engineering Reference Sheet: Mill-7473 rev. 5/19/2020



General Safety Notes

Failure to Follow Could Cause Property Damage or Personal Injury

1. Additional stability bracing for truss system, e.g. diagonal or X-bracing, is always required. See BCSI.
2. Truss bracing must be designed by an engineer. For wide truss spacing, individual lateral braces themselves may require bracing, or alternative T or I bracing should be considered.
3. Never exceed the design loading shown and never stack materials on inadequately braced trusses.
4. Provide copies of this truss design to the building designer, erection supervisor, property owner and all other interested parties.
5. Cut members to bear tightly against each other.
6. Place plates on each face of truss at each joint and embed fully. Knots and wane at joint locations are regulated by ANSI/TP1 1.
7. Design assumes trusses will be suitably protected from the environment in accord with ANSI/TP1 1.
8. Unless otherwise noted, moisture content of lumber shall not exceed 19% at time of fabrication.
9. Unless expressly noted, this design is not applicable for use with fire retardant, preservative treated, or green lumber.
10. Camber is a non-structural consideration and is the responsibility of truss fabricator. General practice is to camber for dead load deflection.
11. Plate type, size, orientation and location dimensions indicated are minimum plating requirements.
12. Lumber used shall be of the species and size, and in all respects, equal to or better than that specified.
13. Top chords must be sheathed or purlins provided at spacing indicated on design.
14. Bottom chords require lateral bracing at 10 ft. spacing, or less, if no ceiling is installed, unless otherwise noted.
15. Connections not shown are the responsibility of others.
16. Do not cut or alter truss member or plate without prior approval of an engineer.
17. Install and load vertically unless indicated otherwise.
18. Use of green or treated lumber may pose unacceptable environmental, health or performance risks. Consult with project engineer before use.
19. Review all portions of this design (front, back, words and pictures) before use. Reviewing pictures alone is not sufficient.
20. Design assumes manufacture in accordance with ANSI/TP1 1 Quality Criteria.
21. The design does not take into account any dynamic or other loads other than those expressly stated.

Trenco

818 Soundside Rd
Edenton, NC 27932

Re: J0920-4492
Precision/Lot 44 Summerlin/Harnett

The truss drawing(s) referenced below have been prepared by Truss Engineering Co. under my direct supervision based on the parameters provided by Comtech, Inc - Fayetteville.

Pages or sheets covered by this seal: E14950639 thru E14950658

My license renewal date for the state of North Carolina is December 31, 2020.

North Carolina COA: C-0844



October 7, 2020

Gilbert, Eric

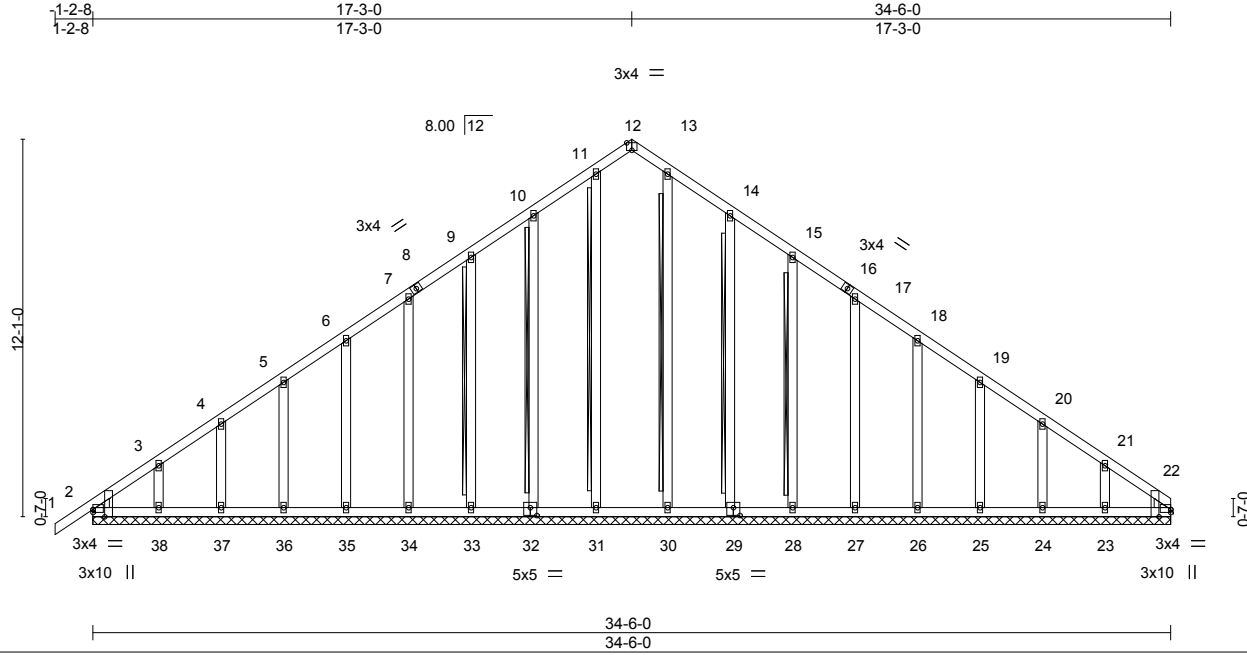
IMPORTANT NOTE: The seal on these truss component designs is a certification that the engineer named is licensed in the jurisdiction(s) identified and that the designs comply with ANSI/TPI 1. These designs are based upon parameters shown (e.g., loads, supports, dimensions, shapes and design codes), which were given to MiTek or TRENCO. Any project specific information included is for MiTek's or TRENCO's customers file reference purpose only, and was not taken into account in the preparation of these designs. MiTek or TRENCO has not independently verified the applicability of the design parameters or the designs for any particular building. Before use, the building designer should verify applicability of design parameters and properly incorporate these designs into the overall building design per ANSI/TPI 1, Chapter 2.

Job	Truss	Truss Type	Qty	Ply	Precision/Lot 44 Summerlin/Harnett	E14950639
J0920-4492	A1-GE	GABLE	1	1		

Comtech, Inc., Fayetteville, NC - 28314,

8.330 s Jul 22 2020 MiTek Industries, Inc. Wed Oct 7 09:21:27 2020 Page 1

ID:Jjp3_bNirdpeLXA5mDh?5?y7p3U-VWGACvQTc?vjFaryhSpikv4hw2J6RqoqCele?hyVreM



Scale = 1:73.8

Plate Offsets (X,Y)-- [2:0-2-12,Edge], [2:0-0-0,0-1-2], [12:0-2-0,Edge], [22:0-2-12,Edge], [22:0-0-0,0-1-2], [29:0-2-8,0-3-0], [32:0-2-8,0-3-0]

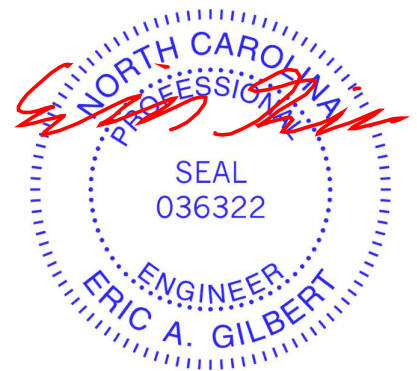
LOADING (psf)	SPACING-	CS.I.	DEFL.	in (loc)	l/defl	L/d	PLATES	GRIP
TCLL 20.0	Plate Grip DOL 1.15	TC 0.12	Vert(LL) -0.00	1	n/r	120	MT20	244/190
TCDL 10.0	Lumber DOL 1.15	BC 0.05	Vert(CT) -0.00	1	n/r	120		
BCLL 0.0 *	Rep Stress Incr YES	WB 0.12	Horz(CT) 0.02	22	n/a	n/a		
BCDL 10.0	Code IRC2015/TPI2014	Matrix-S					Weight: 262 lb	FT = 20%

LUMBER-	BRACING-
TOP CHORD 2x4 SP No.1	TOP CHORD Structural wood sheathing directly applied or 6-0-0 oc purlins.
BOT CHORD 2x4 SP No.1	BOT CHORD Rigid ceiling directly applied or 10-0-0 oc bracing.
OTHERS 2x4 SP No.2	T-Brace: 2x4 SPF No.2 - 11-31, 10-32, 9-33, 13-30, 14-29, 15-28
WEDGE	Fasten (2X) T and I braces to narrow edge of web with 10d (0.131"x3") nails, 6in o.c., with 3in minimum end distance.
Left: 2x4 SP No.2, Right: 2x4 SP No.2	Brace must cover 90% of web length.

REACTIONS. All bearings 34-6-0.
 (lb) - Max Horz 2=363(LC 9)
 Max Uplift All uplift 100 lb or less at joint(s) 2, 31, 33, 34, 35, 36, 37, 28, 27, 26, 25, 24, 22 except 32=-117(LC 12), 38=-132(LC 12), 29=-126(LC 13), 23=-147(LC 13)
 Max Grav All reactions 250 lb or less at joint(s) 2, 31, 32, 33, 34, 35, 36, 37, 38, 30, 29, 28, 27, 26, 25, 24, 23, 22

FORCES. (lb) - Max. Comp./Max. Ten. - All forces 250 (lb) or less except when shown.
 TOP CHORD 2-3=-461/289, 3-4=-352/224, 4-5=-277/197, 20-21=-294/195, 21-22=-408/288
 BOT CHORD 2-38=-241/349, 37-38=-241/349, 36-37=-241/349, 35-36=-241/349, 34-35=-241/349, 33-34=-241/349, 32-33=-241/349, 31-32=-239/348, 30-31=-239/348, 29-30=-239/348, 28-29=-241/349, 27-28=-241/349, 26-27=-241/349, 25-26=-241/349, 24-25=-241/349, 23-24=-241/349, 22-23=-241/349

- NOTES-**
- Unbalanced roof live loads have been considered for this design.
 - Wind: ASCE 7-10; Vult=130mph (3-second gust) Vasd=103mph; TCDL=6.0psf; BCDL=6.0psf; h=15ft; Cat. II; Exp C; Enclosed; MWFRS (envelope) gable end zone and C-C Exterior(2) zone; C-C for members and forces & MWFRS for reactions shown; Lumber DOL=1.60 plate grip DOL=1.60
 - Truss designed for wind loads in the plane of the truss only. For studs exposed to wind (normal to the face), see Standard Industry Gable End Details as applicable, or consult qualified building designer as per ANSI/TPI 1.
 - All plates are 2x4 MT20 unless otherwise indicated.
 - Gable requires continuous bottom chord bearing.
 - Gable studs spaced at 2-0-0 oc.
 - This truss has been designed for a 10.0 psf bottom chord live load nonconcurrent with any other live loads.
 - * This truss has been designed for a live load of 30.0psf on the bottom chord in all areas where a rectangle 3-6-0 tall by 2-0-0 wide will fit between the bottom chord and any other members, with BCDL = 10.0psf.
 - Provide mechanical connection (by others) of truss to bearing plate capable of withstanding 100 lb uplift at joint(s) 2, 31, 33, 34, 35, 36, 37, 28, 27, 26, 25, 24, 22 except (it=) 32=117, 38=132, 29=126, 23=147.
 - Warning: Additional permanent and stability bracing for truss system (not part of this component design) is always required.



October 7, 2020

WARNING - Verify design parameters and READ NOTES ON THIS AND INCLUDED MITEK REFERENCE PAGE MII-7473 rev. 5/19/2020 BEFORE USE.

Design valid for use only with MiTek® connectors. This design is based only upon parameters shown, and is for an individual building component, not a truss system. Before use, the building designer must verify the applicability of design parameters and properly incorporate this design into the overall building design. Bracing indicated is to prevent buckling of individual truss web and/or chord members only. Additional temporary and permanent bracing is always required for stability and to prevent collapse with possible personal injury and property damage. For general guidance regarding the fabrication, storage, delivery, erection and bracing of trusses and truss systems, see **ANSI/TPI1 Quality Criteria, DSB-89 and BCSI Building Component Safety Information** available from Truss Plate Institute, 2670 Crain Highway, Suite 203 Waldorf, MD 20601

ENGINEERING BY
TRENCO
 A MiTek Affiliate

818 Soundside Road
 Edenton, NC 27932

Job	Truss	Truss Type	Qty	Ply	Precision/Lot 44 Summerlin/Harnett	E14950640
J0920-4492	A2	COMMON	11	1		

Comtech, Inc., Fayetteville, NC - 28314, 8.330 s Jul 22 2020 MiTek Industries, Inc. Wed Oct 7 09:21:29 2020 Page 1
 ID:Jjp3_bNirdpeLXA5mDh?5?y7p3U-RuOxdbRj8d9RUT_LotrAqKAprrqveC7gynl3ZyVreK

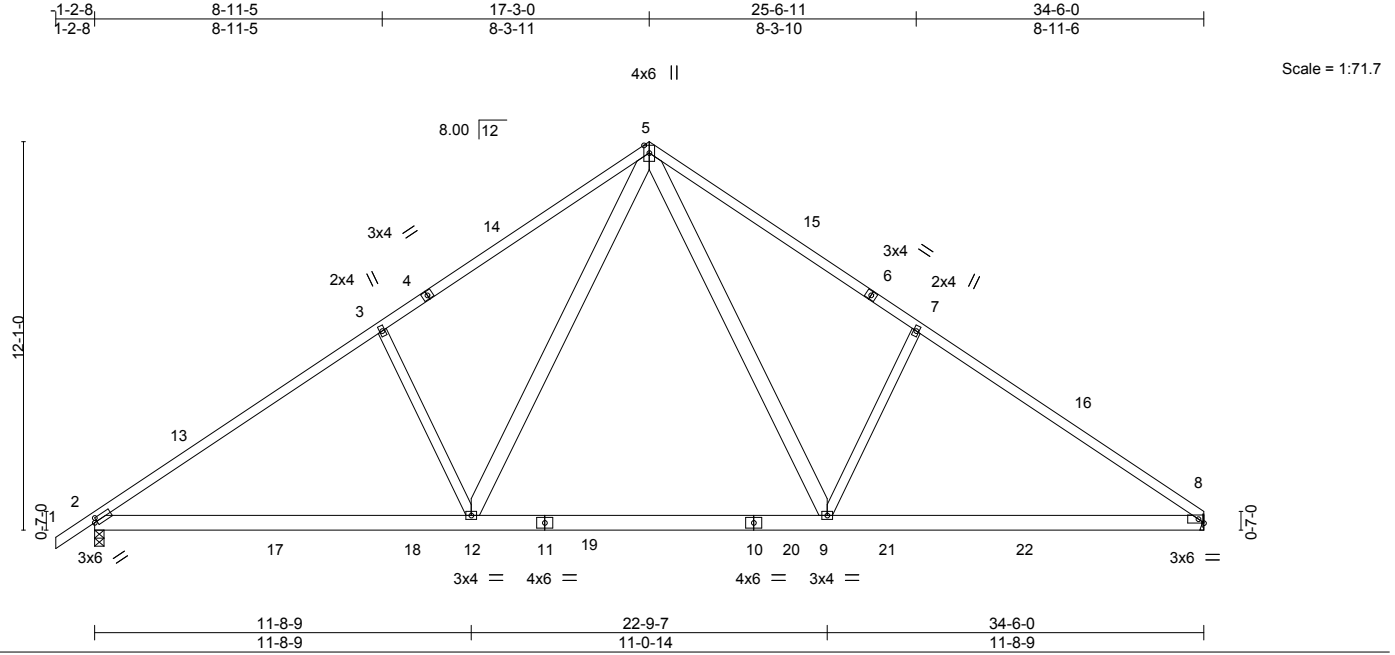


Plate Offsets (X,Y)-- [2:0-1-0,0-1-8]

LOADING (psf)	SPACING-	CSI.	DEFL.	in (loc)	l/defl	L/d	PLATES	GRIP
TCLL 20.0	Plate Grip DOL 1.15	TC 0.94	Vert(LL) -0.17	9-12	>999	360	MT20	244/190
TCDL 10.0	Lumber DOL 1.15	BC 0.67	Vert(CT) -0.34	8-9	>999	240		
BCLL 0.0 *	Rep Stress Incr YES	WB 0.45	Horz(CT) 0.05	8	n/a	n/a		
BCDL 10.0	Code IRC2015/TPI2014	Matrix-S	Wind(LL) 0.08	2-12	>999	240	Weight: 223 lb	FT = 20%

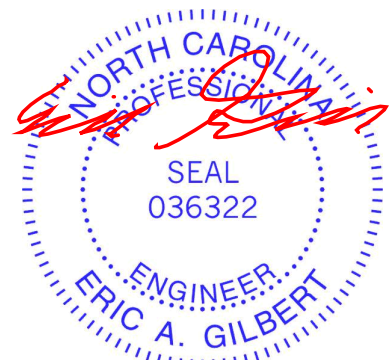
LUMBER-
 TOP CHORD 2x4 SP No.1 *Except*
 1-4,6-8: 2x4 SP 2400F 2.0E
 BOT CHORD 2x6 SP No.1
 WEBS 2x6 SP No.1 *Except*
 7-9,3-12: 2x4 SP No.2

BRACING-
 TOP CHORD Structural wood sheathing directly applied.
 BOT CHORD Rigid ceiling directly applied or 10-0-0 oc bracing.

REACTIONS. (size) 2=0-3-8, 8=Mechanical
 Max Horz 2=290(LC 9)
 Max Uplift 2=91(LC 12), 8=72(LC 13)
 Max Grav 2=1706(LC 19), 8=1626(LC 20)

FORCES. (lb) - Max. Comp./Max. Ten. - All forces 250 (lb) or less except when shown.
 TOP CHORD 2-3=-2353/405, 3-5=-2184/514, 5-7=-2198/529, 7-8=-2365/418
 BOT CHORD 2-12=-197/2022, 9-12=0/1323, 8-9=-201/1842
 WEBS 5-9=-195/1165, 7-9=-582/348, 5-12=-192/1142, 3-12=-562/336

- NOTES-**
- 1) Unbalanced roof live loads have been considered for this design.
 - 2) Wind: ASCE 7-10; Vult=130mph (3-second gust) Vasd=103mph; TCDL=6.0psf; BCDL=6.0psf; h=15ft; Cat. II; Exp C; Enclosed; MWFRS (envelope) and C-C Exterior(2) -1-2-8 to 3-2-5, Interior(1) 3-2-5 to 17-3-0, Exterior(2) 17-3-0 to 21-7-13, Interior(1) 21-7-13 to 34-5-4 zone;C-C for members and forces & MWFRS for reactions shown; Lumber DOL=1.60 plate grip DOL=1.60
 - 3) This truss has been designed for a 10.0 psf bottom chord live load nonconcurrent with any other live loads.
 - 4) * This truss has been designed for a live load of 30.0psf on the bottom chord in all areas where a rectangle 3-6-0 tall by 2-0-0 wide will fit between the bottom chord and any other members, with BCDL = 10.0psf.
 - 5) Refer to girder(s) for truss to truss connections.
 - 6) Provide mechanical connection (by others) of truss to bearing plate capable of withstanding 100 lb uplift at joint(s) 2, 8.



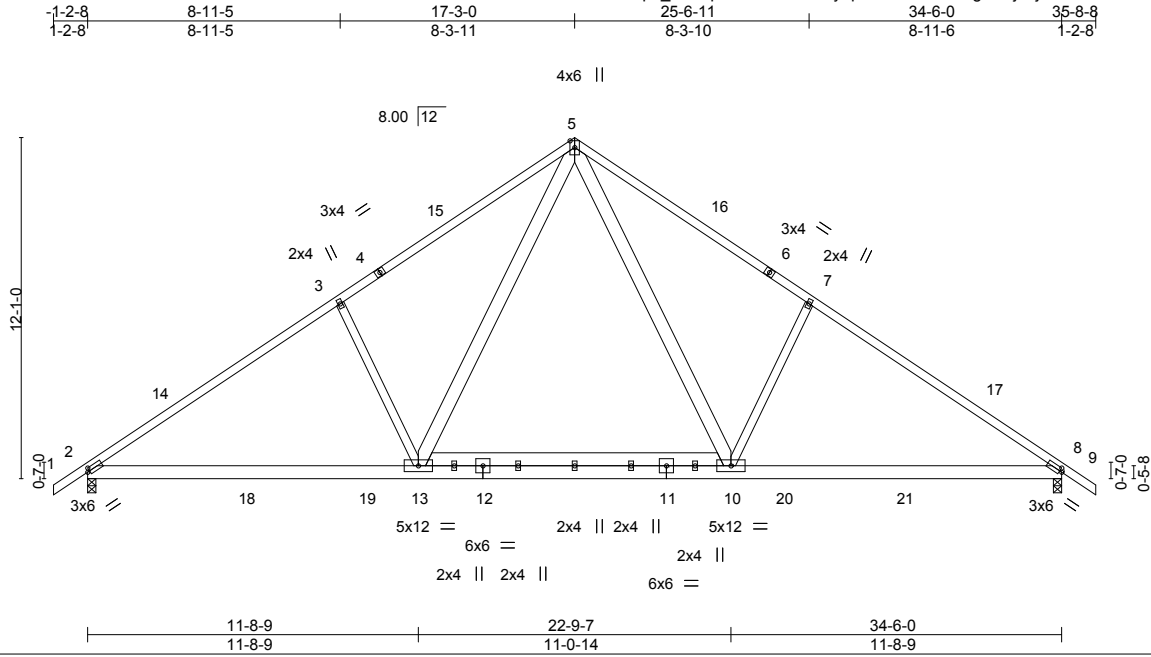
October 7, 2020

Job	Truss	Truss Type	Qty	Ply	Precision/Lot 44 Summerlin/Harnett	E14950641
J0920-4492	A4	COMMON	6	1		

Comtech, Inc. Fayetteville, NC - 28314,

8.330 s Jul 22 2020 MiTek Industries, Inc. Wed Oct 7 09:21:31 2020 Page 1

ID:Jjp3_bNirdpeLXA5mDh?5?y7p3U-OHVh2HTzgEP9jn8jwItevlF9UFWTNZzQ7GGS8SyVrel



Scale = 1:81.6

Plate Offsets (X,Y)-- [2:0-1-0,0-1-8], [8:0-1-0,0-1-8]

LOADING (psf)	SPACING-	CSI.	DEFL.	in (loc)	l/defl	L/d	PLATES	GRIP
TCLL 20.0	Plate Grip DOL 1.15	TC 0.91	Vert(LL) -0.17	2-13	>999	360	MT20	244/190
TCDL 10.0	Lumber DOL 1.15	BC 0.66	Vert(CT) -0.34	2-13	>999	240		
BCLL 0.0 *	Rep Stress Incr YES	WB 0.43	Horz(CT) 0.05	8	n/a	n/a		
BCDL 10.0	Code IRC2015/TPI2014	Matrix-S	Wind(LL) 0.08	2-13	>999	240	Weight: 250 lb	FT = 20%

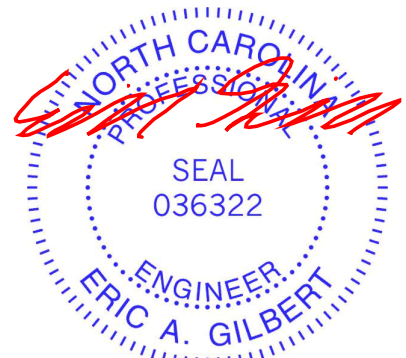
LUMBER-
 TOP CHORD 2x4 SP No.1 *Except*
 1-4,6-9: 2x4 SP 2400F 2.0E
 BOT CHORD 2x6 SP No.1
 WEBS 2x6 SP No.1 *Except*
 7-10,3-13: 2x4 SP No.2

BRACING-
 TOP CHORD Structural wood sheathing directly applied.
 BOT CHORD Rigid ceiling directly applied or 10-0-0 oc bracing.

REACTIONS. (size) 2=0-3-8, 8=0-3-8
 Max Horz 2=-295(LC 10)
 Max Uplift 2=-91(LC 12), 8=-91(LC 13)
 Max Grav 2=1687(LC 19), 8=1687(LC 20)

FORCES. (lb) - Max. Comp./Max. Ten. - All forces 250 (lb) or less except when shown.
 TOP CHORD 2-3=-2318/403, 3-5=-2149/511, 5-7=-2149/511, 7-8=-2318/403
 BOT CHORD 2-13=-160/2001, 10-13=0/1308, 8-10=-172/1806
 WEBS 5-10=-190/1127, 7-10=-561/336, 5-13=-190/1127, 3-13=-561/336

- NOTES-**
- Unbalanced roof live loads have been considered for this design.
 - Wind: ASCE 7-10; Vult=130mph (3-second gust) Vasd=103mph; TCDL=6.0psf; BCDL=6.0psf; h=15ft; Cat. II; Exp C; Enclosed; MWFRS (envelope) and C-C Exterior(2) -1-2-8 to 3-2-5, Interior(1) 3-2-5 to 17-3-0, Exterior(2) 17-3-0 to 21-7-13, Interior(1) 21-7-13 to 35-8-8 zone; C-C for members and forces & MWFRS for reactions shown; Lumber DOL=1.60 plate grip DOL=1.60
 - This truss has been designed for a 10.0 psf bottom chord live load nonconcurrent with any other live loads.
 - * This truss has been designed for a live load of 30.0psf on the bottom chord in all areas where a rectangle 3-6-0 tall by 2-0-0 wide will fit between the bottom chord and any other members, with BCDL = 10.0psf.
 - Provide mechanical connection (by others) of truss to bearing plate capable of withstanding 100 lb uplift at joint(s) 2, 8.



October 7, 2020

WARNING - Verify design parameters and READ NOTES ON THIS AND INCLUDED MITEK REFERENCE PAGE MII-7473 rev. 5/19/2020 BEFORE USE.

Design valid for use only with MiTek® connectors. This design is based only upon parameters shown, and is for an individual building component, not a truss system. Before use, the building designer must verify the applicability of design parameters and properly incorporate this design into the overall building design. Bracing indicated is to prevent buckling of individual truss web and/or chord members only. Additional temporary and permanent bracing is always required for stability and to prevent collapse with possible personal injury and property damage. For general guidance regarding the fabrication, storage, delivery, erection and bracing of trusses and truss systems, see **ANSI/TPI1 Quality Criteria, DSB-89 and BCSI Building Component Safety Information** available from Truss Plate Institute, 2670 Crain Highway, Suite 203 Waldorf, MD 20601



818 Soundside Road
 Edenton, NC 27932

Job	Truss	Truss Type	Qty	Ply	Precision/Lot 44 Summerlin/Harnett	E14950642
J0920-4492	A5-GE	GABLE	1	1		

Comtech, Inc., Fayetteville, NC - 28314,

8.330 s Jul 22 2020 MiTek Industries, Inc. Wed Oct 7 09:21:33 2020 Page 1
 ID:JJP3_bNirdpeLXA5mDh?5?y7p3U-KgdRTzUECrftz5161jw6_AKILSMUrYHjbalzCLyVreG

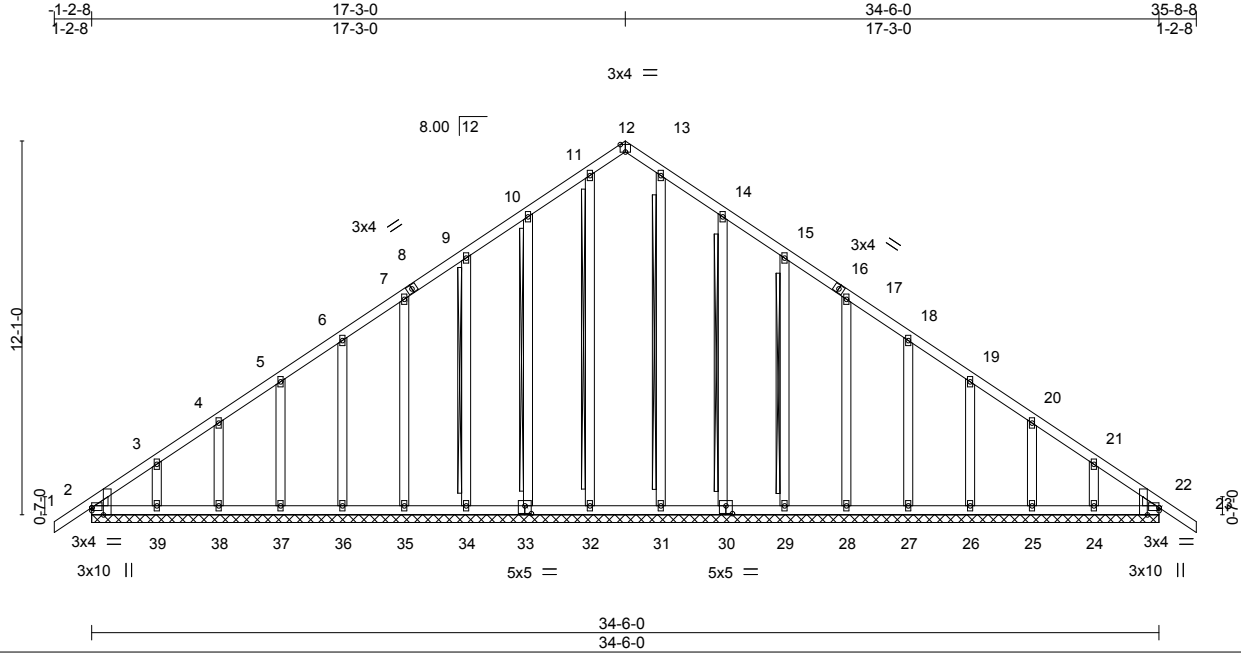


Plate Offsets (X,Y)-- [2:0-2-12,Edge], [2:0-0-0,0-1-2], [12:0-2-0,Edge], [16:0-0-0,0-0-0], [22:0-0-0,0-1-2], [22:0-2-12,Edge], [30:0-2-8,0-3-0], [33:0-2-8,0-3-0]

LOADING (psf)	SPACING-	CSI.	DEFL.	in (loc)	l/defl	L/d	PLATES	GRIP
TCLL 20.0	Plate Grip DOL 1.15	TC 0.12	Vert(LL) -0.00	23	n/r	120	MT20	244/190
TCDL 10.0	Lumber DOL 1.15	BC 0.05	Vert(CT) -0.00	23	n/r	120		
BCLL 0.0 *	Rep Stress Incr YES	WB 0.12	Horz(CT) 0.02	22	n/a	n/a		
BCDL 10.0	Code IRC2015/TPI2014	Matrix-S					Weight: 264 lb	FT = 20%

LUMBER-

TOP CHORD 2x4 SP No.1
 BOT CHORD 2x4 SP No.1
 OTHERS 2x4 SP No.2
 WEDGE
 Left: 2x4 SP No.2 , Right: 2x4 SP No.2

BRACING-

TOP CHORD Structural wood sheathing directly applied or 6-0-0 oc purlins.
 BOT CHORD Rigid ceiling directly applied or 10-0-0 oc bracing.
 WEBS T-Brace: 2x4 SPF No.2 - 11-32, 10-33, 9-34, 13-31, 14-30, 15-29
 Fasten (2X) T and I braces to narrow edge of web with 10d (0.131"x3") nails, 6in o.c., with 3in minimum end distance.
 Brace must cover 90% of web length.

REACTIONS.

All bearings 34-6-0.
 (lb) - Max Horz 2=-369(LC 10)
 Max Uplift All uplift 100 lb or less at joint(s) 2, 22, 32, 34, 35, 36, 37, 38, 29, 28, 27, 26, 25 except 33=-118(LC 12), 39=-132(LC 12), 30=-127(LC 13), 24=-126(LC 13)
 Max Grav All reactions 250 lb or less at joint(s) 2, 22, 32, 33, 34, 35, 36, 37, 38, 39, 31, 30, 29, 28, 27, 26, 25, 24

FORCES. (lb) - Max. Comp./Max. Ten. - All forces 250 (lb) or less except when shown.

TOP CHORD 2-3=-458/285, 3-4=-350/226, 4-5=-275/199, 20-21=-290/199, 21-22=-395/294
 BOT CHORD 2-39=-254/366, 38-39=-254/366, 37-38=-254/366, 36-37=-254/366, 35-36=-254/366, 34-35=-254/366, 33-34=-254/366, 32-33=-252/365, 31-32=-252/365, 30-31=-252/365, 29-30=-254/367, 28-29=-254/367, 27-28=-254/367, 26-27=-254/367, 25-26=-254/367, 24-25=-254/367, 22-24=-254/367

NOTES-

- Unbalanced roof live loads have been considered for this design.
- Wind: ASCE 7-10; Vult=130mph (3-second gust) Vasd=103mph; TCDL=6.0psf; BCDL=6.0psf; h=15ft; Cat. II; Exp C; Enclosed; MWFRS (envelope) gable end zone and C-C Exterior(2) zone; C-C for members and forces & MWFRS for reactions shown; Lumber DOL=1.60 plate grip DOL=1.60
- Truss designed for wind loads in the plane of the truss only. For studs exposed to wind (normal to the face), see Standard Industry Gable End Details as applicable, or consult qualified building designer as per ANSI/TPI 1.
- All plates are 2x4 MT20 unless otherwise indicated.
- Gable requires continuous bottom chord bearing.
- Gable studs spaced at 2-0-0 oc.
- This truss has been designed for a 10.0 psf bottom chord live load nonconcurrent with any other live loads.
- * This truss has been designed for a live load of 30.0psf on the bottom chord in all areas where a rectangle 3-6-0 tall by 2-0-0 wide will fit between the bottom chord and any other members, with BCDL = 10.0psf.
- Provide mechanical connection (by others) of truss to bearing plate capable of withstanding 100 lb uplift at joint(s) 2, 22, 32, 34, 35, 36, 37, 38, 29, 28, 27, 26, 25 except (it=lb) 33=118, 39=132, 30=127, 24=126.
- Warning: Additional permanent and stability bracing for truss system (not part of this component design) is always required.



October 7, 2020

WARNING - Verify design parameters and READ NOTES ON THIS AND INCLUDED MITEK REFERENCE PAGE MII-7473 rev. 5/19/2020 BEFORE USE.

Design valid for use only with MiTek® connectors. This design is based only upon parameters shown, and is for an individual building component, not a truss system. Before use, the building designer must verify the applicability of design parameters and properly incorporate this design into the overall building design. Bracing indicated is to prevent buckling of individual truss web and/or chord members only. Additional temporary and permanent bracing is always required for stability and to prevent collapse with possible personal injury and property damage. For general guidance regarding the fabrication, storage, delivery, erection and bracing of trusses and truss systems, see **ANSI/TPI1 Quality Criteria, DSB-89 and BCSI Building Component Safety Information** available from Truss Plate Institute, 2670 Crain Highway, Suite 203 Waldorf, MD 20601



818 Soundside Road
 Edenton, NC 27932

Job	Truss	Truss Type	Qty	Ply	Precision/Lot 44 Summerlin/Harnett	E14950643
J0920-4492	B1-GE	COMMON SUPPORTED GAB	1	1		

Comtech, Inc., Fayetteville, NC - 28314, 8.330 s Jul 22 2020 MiTek Industries, Inc. Wed Oct 7 09:21:34 2020 Page 1
 ID:Jjp3_bNirdpeLXA5mDh?5?y7p3U-osBqhJVsz9nkaEtIbQRMXOtuYsiEa?4spEUWknyVreF
 19-9-8 9-10-12 21-0-0 1-2-8

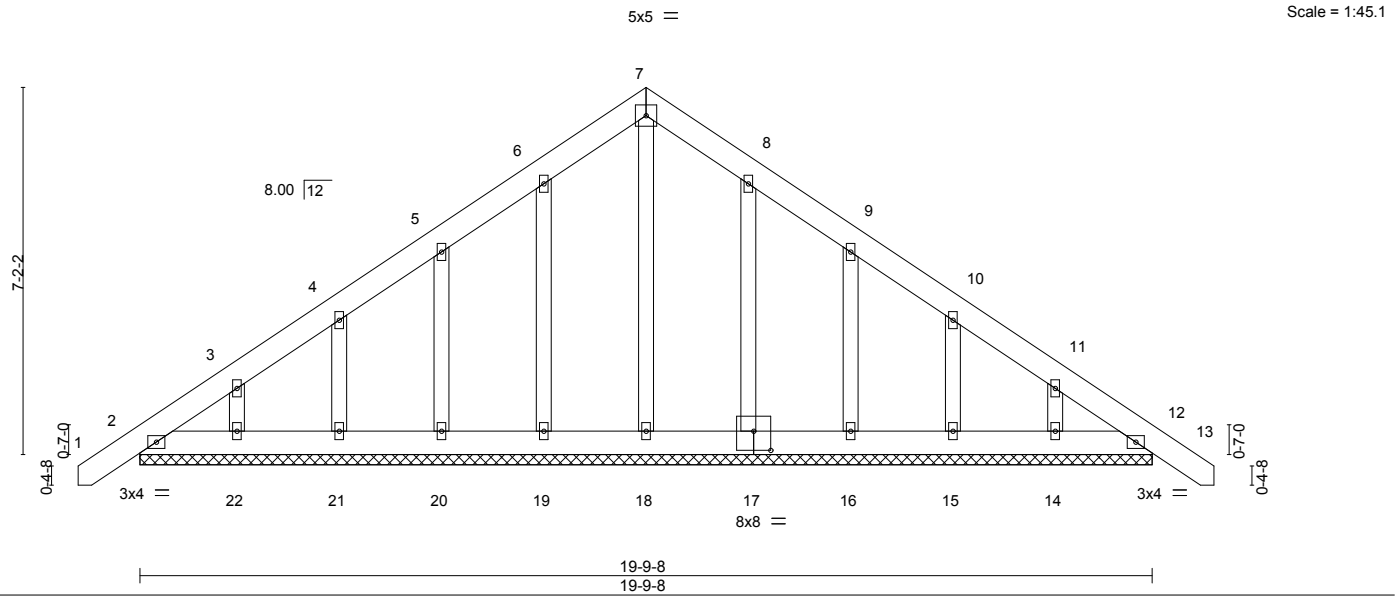


Plate Offsets (X,Y)-- [17:0-4-0,0-4-8] 19-9-8 19-9-8

LOADING (psf)	SPACING-	CSI.	DEFL.	PLATES	GRIP
TCLL 20.0	2-0-0	TC 0.03	in (loc) l/defl L/d	MT20	244/190
TCDL 10.0	Plate Grip DOL 1.15	BC 0.02	Vert(LL) -0.00 12 n/r 120		
BCLL 0.0 *	Lumber DOL 1.15	WB 0.09	Vert(CT) -0.00 12 n/r 120		
BCDL 10.0	Rep Stress Incr YES	Matrix-S	Horz(CT) 0.00 12 n/a n/a		
	Code IRC2015/TPI2014			Weight: 154 lb	FT = 20%

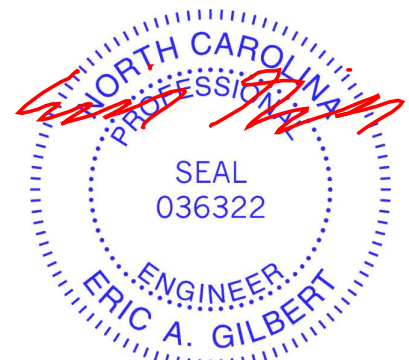
LUMBER-
 TOP CHORD 2x6 SP No.1
 BOT CHORD 2x6 SP No.1
 OTHERS 2x4 SP No.2

BRACING-
 TOP CHORD Structural wood sheathing directly applied or 6-0-0 oc purlins.
 BOT CHORD Rigid ceiling directly applied or 10-0-0 oc bracing.

REACTIONS. All bearings 19-9-8.
 (lb) - Max Horz 2=219(LC 11)
 Max Uplift All uplift 100 lb or less at joint(s) 2, 19, 20, 21, 22, 17, 16, 15, 14, 12
 Max Grav All reactions 250 lb or less at joint(s) 2, 18, 19, 20, 21, 22, 17, 16, 15, 14, 12

FORCES. (lb) - Max. Comp./Max. Ten. - All forces 250 (lb) or less except when shown.

- NOTES-**
- Unbalanced roof live loads have been considered for this design.
 - Wind: ASCE 7-10; Vult=130mph (3-second gust) Vasd=103mph; TCDL=6.0psf; BCDL=6.0psf; h=15ft; Cat. II; Exp C; Enclosed; MWFRS (envelope) gable end zone and C-C Exterior(2) zone;C-C for members and forces & MWFRS for reactions shown; Lumber DOL=1.60 plate grip DOL=1.60
 - Truss designed for wind loads in the plane of the truss only. For studs exposed to wind (normal to the face), see Standard Industry Gable End Details as applicable, or consult qualified building designer as per ANSI/TPI 1.
 - All plates are 2x4 MT20 unless otherwise indicated.
 - Gable requires continuous bottom chord bearing.
 - Gable studs spaced at 2-0-0 oc.
 - This truss has been designed for a 10.0 psf bottom chord live load nonconcurrent with any other live loads.
 - * This truss has been designed for a live load of 30.0psf on the bottom chord in all areas where a rectangle 3-6-0 tall by 2-0-0 wide will fit between the bottom chord and any other members.
 - Provide mechanical connection (by others) of truss to bearing plate capable of withstanding 100 lb uplift at joint(s) 2, 19, 20, 21, 22, 17, 16, 15, 14, 12.



October 7, 2020

Job	Truss	Truss Type	Qty	Ply	Precision/Lot 44 Summerlin/Harnett	E14950644
J0920-4492	B2	COMMON GIRDER	1	2		

Comtech, Inc., Fayetteville, NC - 28314, 8.330 s Jul 22 2020 MiTek Industries, Inc. Wed Oct 7 09:21:35 2020 Page 1
 ID:Jjp3_bNirdpeLXA5mDh?5?y7p3U-G2lCueWUKTvbCOSV98yb3bQ_EGx7JD?2uE4HDyVreE

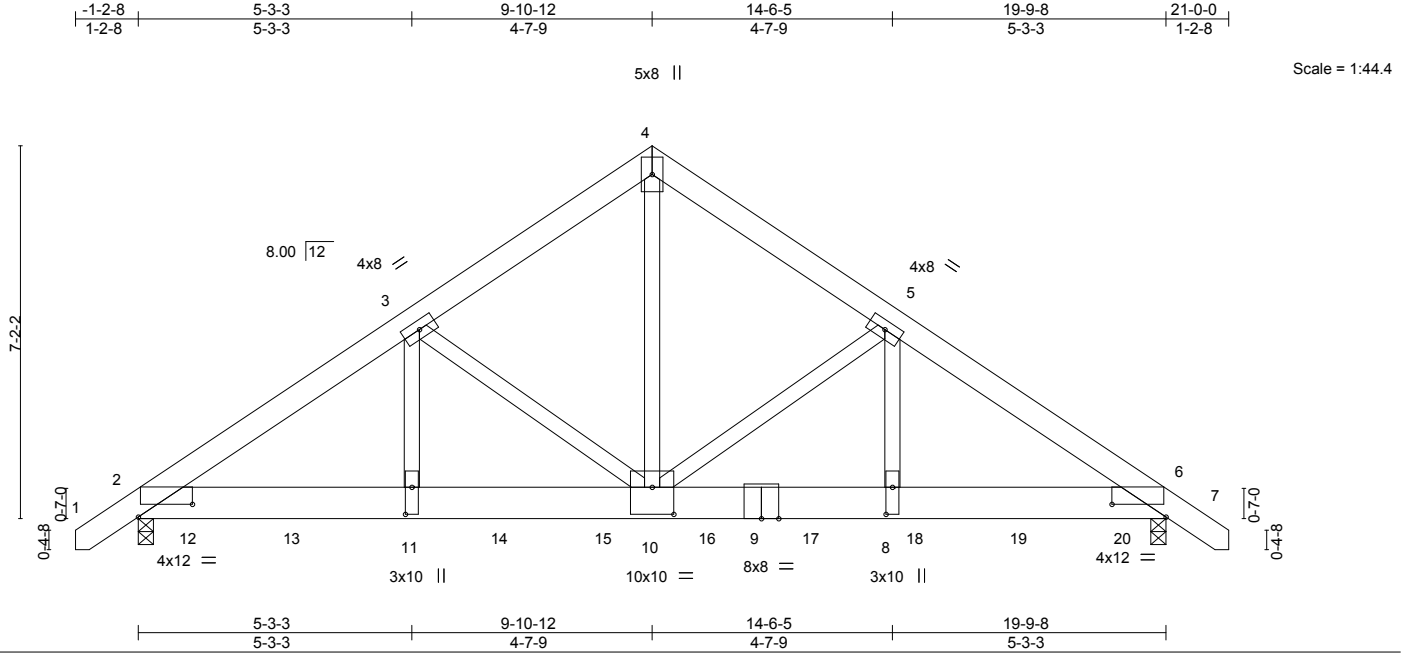


Plate Offsets (X,Y)-- [2:1-0-8,0-2-15], [6:1-0-8,0-2-15], [8:0-6-4,0-1-8], [10:0-5-0,0-6-4], [11:0-6-4,0-1-8]

LOADING (psf)	SPACING-	CSI.	DEFL.	in (loc)	l/defl	L/d	PLATES	GRIP
TCLL 20.0	Plate Grip DOL 1.15	TC 0.35	Vert(LL)	-0.09 10-11	>999	360	MT20	244/190
TCDL 10.0	Lumber DOL 1.15	BC 0.49	Vert(CT)	-0.17 10-11	>999	240		
BCLL 0.0 *	Rep Stress Incr NO	WB 0.97	Horz(CT)	0.05 6	n/a	n/a		
BCDL 10.0	Code IRC2015/TPI2014	Matrix-S	Wind(LL)	0.06 10-11	>999	240	Weight: 316 lb	FT = 20%

LUMBER-
 TOP CHORD 2x6 SP No.1
 BOT CHORD 2x8 SP 2400F 2.0E
 WEBS 2x4 SP No.2

BRACING-
 TOP CHORD Structural wood sheathing directly applied or 4-9-8 oc purlins.
 BOT CHORD Rigid ceiling directly applied or 10-0-0 oc bracing.

REACTIONS. (size) 2=0-3-8, 6=0-3-8
 Max Horz 2=-175(LC 25)
 Max Uplift 2=-475(LC 8), 6=-485(LC 9)
 Max Grav 2=8147(LC 2), 6=8350(LC 2)

FORCES. (lb) - Max. Comp./Max. Ten. - All forces 250 (lb) or less except when shown.
 TOP CHORD 2-3=-10810/618, 3-4=-7460/488, 4-5=-7461/488, 5-6=-10799/619
 BOT CHORD 2-11=-510/8880, 10-11=-510/8880, 8-10=-440/8874, 6-8=-440/8874
 WEBS 4-10=-452/7896, 5-10=-3373/290, 5-8=-155/3783, 3-10=-3382/289, 3-11=-153/3798

- NOTES-**
- 2-ply truss to be connected together with 10d (0.131"x3") nails as follows:
 Top chords connected as follows: 2x6 - 2 rows staggered at 0-9-0 oc.
 Bottom chords connected as follows: 2x8 - 2 rows staggered at 0-3-0 oc.
 Webs connected as follows: 2x4 - 1 row at 0-9-0 oc.
 - All loads are considered equally applied to all plies, except if noted as front (F) or back (B) face in the LOAD CASE(S) section. Ply to ply connections have been provided to distribute only loads noted as (F) or (B), unless otherwise indicated.
 - Unbalanced roof live loads have been considered for this design.
 - Wind: ASCE 7-10; Vult=130mph (3-second gust) Vasd=103mph; TCdL=6.0psf; BCdL=6.0psf; h=15ft; Cat. II; Exp C; Enclosed; MWFRS (envelope); Lumber DOL=1.60 plate grip DOL=1.60
 - This truss has been designed for a 10.0 psf bottom chord live load nonconcurrent with any other live loads.
 - * This truss has been designed for a live load of 30.0psf on the bottom chord in all areas where a rectangle 3-6-0 tall by 2-0-0 wide will fit between the bottom chord and any other members.
 - Provide mechanical connection (by others) of truss to bearing plate capable of withstanding 100 lb uplift at joint(s) except (jt=lb) 2=475, 6=485.
 - Hanger(s) or other connection device(s) shall be provided sufficient to support concentrated load(s) 1502 lb down and 91 lb up at 1-0-0, 1500 lb down and 93 lb up at 3-0-0, 1500 lb down and 93 lb up at 5-0-0, 1500 lb down and 93 lb up at 7-0-0, 1500 lb down and 93 lb up at 9-0-0, 1500 lb down and 93 lb up at 11-0-0, 1500 lb down and 93 lb up at 13-0-0, 1500 lb down and 93 lb up at 15-0-0, and 1500 lb down and 93 lb up at 17-0-0, and 1504 lb down and 89 lb up at 19-0-0 on bottom chord. The design/selection of such connection device(s) is the responsibility of others.

LOAD CASE(S) Standard
 1) Dead + Roof Live (balanced): Lumber Increase=1.15, Plate Increase=1.15
 Uniform Loads (plf)
 Vert: 1-4=-60, 4-7=-60, 2-6=-20



Continued on page 2

WARNING - Verify design parameters and READ NOTES ON THIS AND INCLUDED MITEK REFERENCE PAGE MII-7473 rev. 5/19/2020 BEFORE USE.
 Design valid for use only with MiTek® connectors. This design is based only upon parameters shown, and is for an individual building component, not a truss system. Before use, the building designer must verify the applicability of design parameters and properly incorporate this design into the overall building design. Bracing indicated is to prevent buckling of individual truss web and/or chord members only. Additional temporary and permanent bracing is always required for stability and to prevent collapse with possible personal injury and property damage. For general guidance regarding the fabrication, storage, delivery, erection and bracing of trusses and truss systems, see **ANSI/TPI1 Quality Criteria, DSB-89 and BCSI Building Component Safety Information** available from Truss Plate Institute, 2670 Crain Highway, Suite 203 Waldorf, MD 20601

ENGINEERING BY
TRENCO
 A MiTek Affiliate
 818 Soundside Road
 Edenton, NC 27932

Job	Truss	Truss Type	Qty	Ply	Precision/Lot 44 Summerlin/Harnett	E14950644
J0920-4492	B2	COMMON GIRDER	1	2	Job Reference (optional)	

Comtech, Inc. Fayetteville, NC - 28314,

8.330 s Jul 22 2020 MiTek Industries, Inc. Wed Oct 7 09:21:36 2020 Page 2
 ID:Jjp3_bNirdpeLXA5mDh?5?y7p3U-kFJa5_X6Vm1SqY1hirTqcpy9_gGM2gr9HYzdpgyVreD

LOAD CASE(S) Standard

Concentrated Loads (lb)

Vert: 11=-1350(B) 12=-1352(B) 13=-1350(B) 14=-1350(B) 15=-1350(B) 16=-1350(B) 17=-1350(B) 18=-1350(B) 19=-1350(B) 20=-1354(B)

WARNING - Verify design parameters and READ NOTES ON THIS AND INCLUDED MITEK REFERENCE PAGE MII-7473 rev. 5/19/2020 BEFORE USE.

Design valid for use only with MiTek® connectors. This design is based only upon parameters shown, and is for an individual building component, not a truss system. Before use, the building designer must verify the applicability of design parameters and properly incorporate this design into the overall building design. Bracing indicated is to prevent buckling of individual truss web and/or chord members only. Additional temporary and permanent bracing is always required for stability and to prevent collapse with possible personal injury and property damage. For general guidance regarding the fabrication, storage, delivery, erection and bracing of trusses and truss systems, see **ANSI/TPI1 Quality Criteria, DSB-89 and BCSI Building Component Safety Information** available from Truss Plate Institute, 2670 Crain Highway, Suite 203 Waldorf, MD 20601



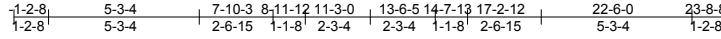
818 Soundside Road
 Edenton, NC 27932

Job	Truss	Truss Type	Qty	Ply	Precision/Lot 44 Summerlin/Harnett	E14950645
J0920-4492	C1-GE	ATTIC	1	1		

Comtech, Inc., Fayetteville, NC - 28314,

8.330 s Jul 22 2020 MiTek Industries, Inc. Wed Oct 7 09:21:37 2020 Page 1

ID:JJP3_bNirdpeLXA5mDh?5?y7p3U-CRtyJKXkG4AIRibGY_380VOY4f9nKvIWjAL6yVreC



Scale = 1:80.6

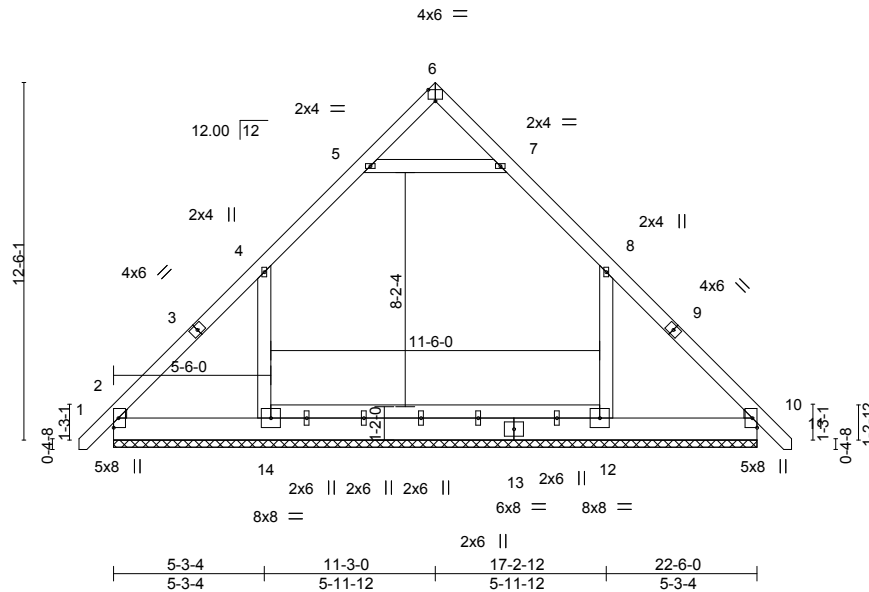


Plate Offsets (X,Y)-- [2:0-2-0,0-4-5], [2:0-1-0,0-1-0], [6:0-3-0,Edge], [10:0-1-0,0-1-0], [10:0-1-15,0-4-5]

LOADING (psf)	SPACING-	CSI.	DEFL.	in (loc)	l/defl	L/d	PLATES	GRIP
TCLL 20.0	Plate Grip DOL 1.15	TC 0.11	Vert(LL) -0.00	11	n/r	120	MT20	244/190
TCDL 10.0	Lumber DOL 1.15	BC 0.26	Vert(CT) -0.00	11	n/r	120		
BCLL 0.0 *	Rep Stress Incr YES	WB 0.15	Horz(CT) 0.00	10	n/a	n/a		
BCDL 10.0	Code IRC2015/TPI2014	Matrix-S					Weight: 236 lb	FT = 20%

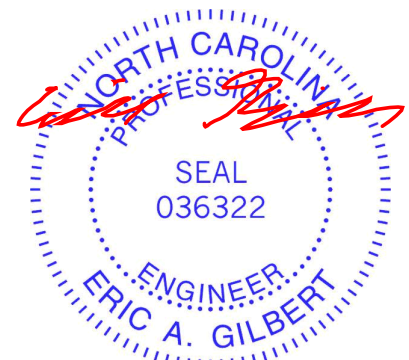
LUMBER-
 TOP CHORD 2x6 SP No.1
 BOT CHORD 2x10 SP No.1 *Except*
 12-14: 2x6 SP No.1
 WEBS 2x6 SP No.1
 WEDGE
 Left: 2x4 SP No.2 , Right: 2x4 SP No.2

BRACING-
 TOP CHORD Structural wood sheathing directly applied or 6-0-0 oc purlins.
 BOT CHORD Rigid ceiling directly applied or 10-0-0 oc bracing.

REACTIONS. All bearings 22-6-0.
 (lb) - Max Horz 2=369(LC 11)
 Max Uplift All uplift 100 lb or less at joint(s) except 14=-287(LC 12), 12=-284(LC 13)
 Max Grav All reactions 250 lb or less at joint(s) except 2=576(LC 1), 14=1056(LC 20), 12=1052(LC 21), 10=576(LC 1)

FORCES. (lb) - Max. Comp./Max. Ten. - All forces 250 (lb) or less except when shown.
 TOP CHORD 2-4=-678/69, 4-5=-566/133, 7-8=-565/133, 8-10=-674/63
 BOT CHORD 2-14=-25/457, 12-14=-25/457, 10-12=-25/457
 WEBS 4-14=-524/369, 8-12=-524/366, 5-7=-350/163

- NOTES-**
- 1) Unbalanced roof live loads have been considered for this design.
 - 2) Wind: ASCE 7-10; Vult=130mph (3-second gust) Vasd=103mph; TCDL=6.0psf; BCDL=6.0psf; h=15ft; Cat. II; Exp C; Enclosed; MWFRS (envelope) gable end zone and C-C Exterior(2) zone; C-C for members and forces & MWFRS for reactions shown; Lumber DOL=1.60 plate grip DOL=1.60
 - 3) Gable requires continuous bottom chord bearing.
 - 4) This truss has been designed for a 10.0 psf bottom chord live load nonconcurrent with any other live loads.
 - 5) * This truss has been designed for a live load of 30.0psf on the bottom chord in all areas where a rectangle 3-6-0 tall by 2-0-0 wide will fit between the bottom chord and any other members, with BCDL = 10.0psf.
 - 6) Ceiling dead load (10.0 psf) on member(s). 4-5, 7-8, 5-7; Wall dead load (5.0psf) on member(s).4-14, 8-12
 - 7) Provide mechanical connection (by others) of truss to bearing plate capable of withstanding 287 lb uplift at joint 14 and 284 lb uplift at joint 12.
 - 8) Attic room checked for L/360 deflection.



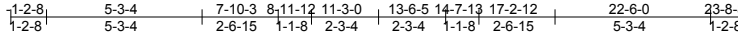
October 7, 2020

Job	Truss	Truss Type	Qty	Ply	Precision/Lot 44 Summerlin/Harnett	E14950646
J0920-4492	C2	ATTIC	6	1		

Comtech, Inc., Fayetteville, NC - 28314,

8.330 s Jul 22 2020 MiTek Industries, Inc. Wed Oct 7 09:21:39 2020 Page 1

ID:JJp3_bNirdpelXA5mDh?5?y7p3U-9p_jk0Z_nhQ0h0IGoz1XERabHtDvFEqzbVCHQ_yVreA



Scale = 1:78.1

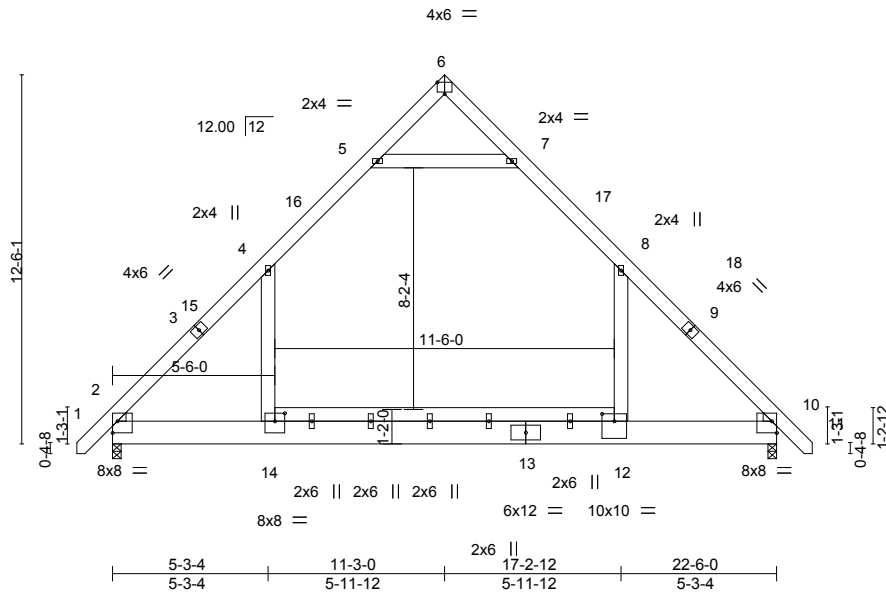


Plate Offsets (X,Y)-- [2:Edge,0-4-12], [2:0-4-5,0-2-0], [2:0-1-0,0-1-0], [6:0-3-0,Edge], [10:Edge,0-4-12], [10:0-4-5,0-1-15], [10:0-1-0,0-1-0], [12:0-5-0,0-3-0], [14:0-4-0,0-3-4]

LOADING (psf)	SPACING-	CSI.	DEFL.	in (loc)	l/defl	L/d	PLATES	GRIP
TCLL 20.0	2-0-0	TC 0.67	Vert(LL)	-0.29	12-14	>911	MT20	244/190
TCDL 10.0	Plate Grip DOL 1.15	BC 0.82	Vert(CT)	-0.51	12-14	>522		
BCLL 0.0 *	Lumber DOL 1.15	WB 0.18	Horz(CT)	0.01	10	n/a		
BCDL 10.0	Rep Stress Incr YES	Matrix-S	Wind(LL)	0.10	12-14	>999	Weight: 236 lb	FT = 20%
	Code IRC2015/TPI2014							

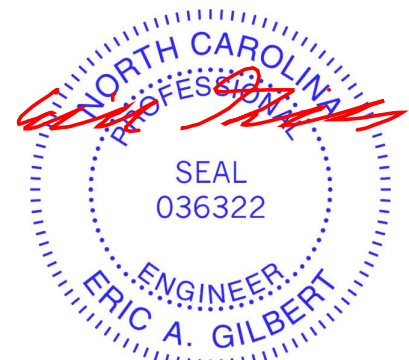
LUMBER-
TOP CHORD 2x6 SP 2400F 2.0E *Except*
1-3,9-11: 2x6 SP No.1
BOT CHORD 2x10 SP No.1 *Except*
12-14: 2x6 SP No.1
WEBS 2x6 SP No.1
WEDGE
Left: 2x4 SP No.2 , Right: 2x4 SP No.2

BRACING-
TOP CHORD Structural wood sheathing directly applied or 5-4-10 oc purlins.
BOT CHORD Rigid ceiling directly applied or 8-4-3 oc bracing.

REACTIONS. (size) 2=0-3-8, 10=0-3-8
Max Horz 2=295(LC 11)
Max Grav 2=1518(LC 20), 10=1518(LC 21)

FORCES. (lb) - Max. Comp./Max. Ten. - All forces 250 (lb) or less except when shown.
TOP CHORD 2-4=-1928/0, 4-5=-1039/146, 5-6=0/385, 6-7=0/386, 7-8=-1038/146, 8-10=-1927/0
BOT CHORD 2-14=0/1088, 12-14=0/1088, 10-12=0/1088
WEBS 4-14=0/939, 8-12=0/939, 5-7=-1492/196

- NOTES-**
- Unbalanced roof live loads have been considered for this design.
 - Wind: ASCE 7-10; Vult=130mph (3-second gust) Vasd=103mph; TCDL=6.0psf; BCDL=6.0psf; h=15ft; Cat. II; Exp C; Enclosed; MWFRS (envelope) and C-C Exterior(2) -1-0-14 to 3-3-15, Interior(1) 3-3-15 to 11-3-0, Exterior(2) 11-3-0 to 15-7-13, Interior(1) 15-7-13 to 23-6-14 zone;C-C for members and forces & MWFRS for reactions shown; Lumber DOL=1.60 plate grip DOL=1.60
 - This truss has been designed for a 10.0 psf bottom chord live load nonconcurrent with any other live loads.
 - * This truss has been designed for a live load of 30.0psf on the bottom chord in all areas where a rectangle 3-6-0 tall by 2-0-0 wide will fit between the bottom chord and any other members.
 - Ceiling dead load (10.0 psf) on member(s). 4-5, 7-8, 5-7; Wall dead load (5.0psf) on member(s).4-14, 8-12
 - Bottom chord live load (40.0 psf) and additional bottom chord dead load (10.0 psf) applied only to room. 12-14
 - Attic room checked for L/360 deflection.



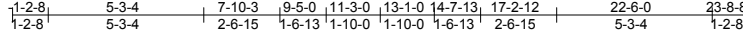
October 7, 2020

Job	Truss	Truss Type	Qty	Ply	Precision/Lot 44 Summerlin/Harnett	E14950647
J0920-4492	C3	ATTIC	2	2		

Comtech, Inc., Fayetteville, NC - 28314,

8.330 s Jul 22 2020 MiTek Industries, Inc. Wed Oct 7 09:21:41 2020 Page 1

ID:JJp3_bNirdpelXA5mDh?5?y7p3U-5C6T9ibFJlgkwJveVO3?JsfghzOj5WuQphOUtyVre8



Scale = 1:78.1

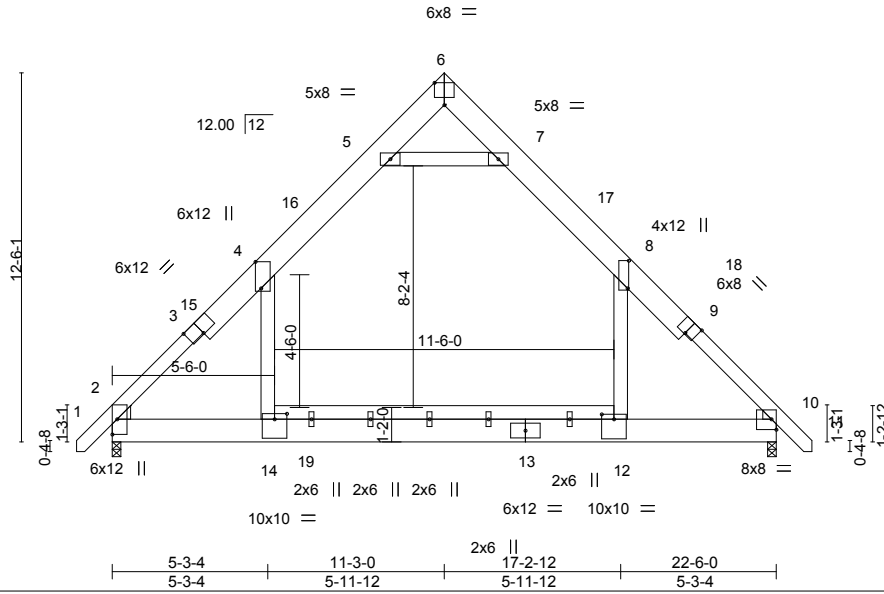


Plate Offsets (X,Y)-- [2:Edge,0-1-15], [2:0-1-15,0-4-5], [2:0-1-0,0-1-0], [3:0-6-0,Edge], [4:0-10-13,Edge], [6:0-4-0,Edge], [8:0-11-4,0-0-8], [9:0-4-0,Edge], [10:0-4-5,0-1-15], [10:0-1-0,0-1-0], [10:Edge,0-4-4], [12:0-5-0,0-2-0], [14:0-5-0,0-2-4]

LOADING (psf)	SPACING-	2-0-0	CSI.	DEFL.	in (loc)	l/defl	L/d	PLATES	GRIP
TCLL 20.0	Plate Grip DOL	1.15	TC 0.74	Vert(LL)	-0.31	12-14	>848	MT20	244/190
TCDL 10.0	Lumber DOL	1.15	BC 0.56	Vert(CT)	-0.47	12-14	>562		
BCLL 0.0 *	Rep Stress Incr	NO	WB 0.36	Horz(CT)	0.02	10	n/a		
BCDL 10.0	Code IRC2015/TPI2014		Matrix-S	Wind(LL)	0.14	12-14	>999		
								Weight: 542 lb	FT = 20%

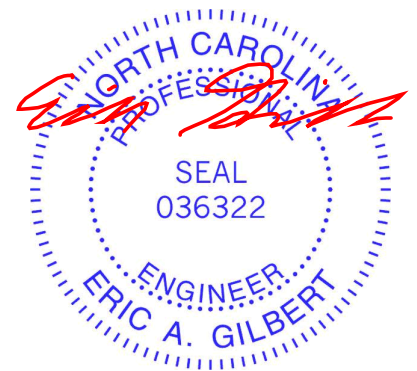
LUMBER-
TOP CHORD 2x10 SP 2400F 2.0E *Except*
1-3,9-11: 2x6 SP 2400F 2.0E
BOT CHORD 2x10 SP 2400F 2.0E *Except*
12-14: 2x6 SP No.1
WEBS 2x6 SP No.1
WEDGE
Left: 2x6 SP No.1, Right: 2x4 SP No.2

BRACING-
TOP CHORD Structural wood sheathing directly applied or 6-0-0 oc purlins.
BOT CHORD Rigid ceiling directly applied or 10-0-0 oc bracing.

REACTIONS. (size) 2=0-3-8, 10=0-3-8
Max Horz 2=290(LC 11)
Max Uplift 2=-117(LC 12), 10=-101(LC 13)
Max Grav 2=6007(LC 20), 10=5746(LC 21)

FORCES. (lb) - Max. Comp./Max. Ten. - All forces 250 (lb) or less except when shown.
TOP CHORD 2-4=-7574/705, 4-5=-3099/440, 5-6=-331/2626, 6-7=-297/2391, 7-8=-3334/474,
8-10=-7203/656
BOT CHORD 2-14=-203/4106, 12-14=-207/4151, 10-12=-204/4112
WEBS 4-14=-517/5919, 8-12=-401/5107, 5-7=-7548/1075

- NOTES-**
- 2-ply truss to be connected together with 10d (0.131"x3") nails as follows:
Top chords connected as follows: 2x6 - 2 rows staggered at 0-9-0 oc, 2x10 - 2 rows staggered at 0-9-0 oc.
Bottom chords connected as follows: 2x10 - 2 rows staggered at 0-3-0 oc.
Webs connected as follows: 2x6 - 2 rows staggered at 0-9-0 oc.
 - All loads are considered equally applied to all plies, except if noted as front (F) or back (B) face in the LOAD CASE(S) section. Ply to ply connections have been provided to distribute only loads noted as (F) or (B), unless otherwise indicated.
 - Unbalanced roof live loads have been considered for this design.
 - Wind: ASCE 7-10; Vult=130mph (3-second gust) Vasd=103mph; TC DL=6.0psf; BCDL=6.0psf; h=15ft; Cat. II; Exp C; Enclosed; MWFRS (envelope) and C-C Exterior(2) -1-0-14 to 3-3-15, Interior(1) 3-3-15 to 11-3-0, Exterior(2) 11-3-0 to 15-7-13, Interior(1) 15-7-13 to 23-6-14 zone; C-C for members and forces & MWFRS for reactions shown; Lumber DOL=1.60 plate grip DOL=1.60
 - This truss has been designed for a 10.0 psf bottom chord live load nonconcurrent with any other live loads.
 - * This truss has been designed for a live load of 30.0psf on the bottom chord in all areas where a rectangle 3-6-0 tall by 2-0-0 wide will fit between the bottom chord and any other members.
 - Ceiling dead load (10.0 psf) on member(s). 4-5, 7-8, 5-7; Wall dead load (5.0psf) on member(s).4-14, 8-12
 - Bottom chord live load (40.0 psf) and additional bottom chord dead load (10.0 psf) applied only to room. 12-14
 - Provide mechanical connection (by others) of truss to bearing plate capable of withstanding 117 lb uplift at joint 2 and 101 lb uplift at joint 10.
 - Hanger(s) or other connection device(s) shall be provided sufficient to support concentrated load(s) 3348 lb down and 480 lb up at 5-5-0 on bottom chord. The design/selection of such connection device(s) is the responsibility of others.



Job	Truss	Truss Type	Qty	Ply	Precision/Lot 44 Summerlin/Harnett	E14950647
J0920-4492	C3	ATTIC	2	2	Job Reference (optional)	

Comtech, Inc. Fayetteville, NC - 28314,

8.330 s Jul 22 2020 MiTek Industries, Inc. Wed Oct 7 09:21:41 2020 Page 2
 ID:JJp3_bNirdpeLXA5mDh?5?y7p3U-5C6T9ibFJlgkwJveVO3?JsfwghzOj5WuQphOUtyVre8

LOAD CASE(S) Standard

1) Dead + Roof Live (balanced): Lumber Increase=1.15, Plate Increase=1.15

Uniform Loads (plf)

Vert: 1-4=-60, 4-5=-80, 5-6=-60, 6-7=-60, 7-8=-80, 8-11=-60, 2-14=-20, 14-19=-40, 12-19=-233(F=-193), 10-12=-213(F=-193), 5-7=-20

Drag: 4-14=-10, 8-12=-10

Concentrated Loads (lb)

Vert: 14=-1900(F)

WARNING - Verify design parameters and READ NOTES ON THIS AND INCLUDED MITEK REFERENCE PAGE MII-7473 rev. 5/19/2020 BEFORE USE.

Design valid for use only with MiTek® connectors. This design is based only upon parameters shown, and is for an individual building component, not a truss system. Before use, the building designer must verify the applicability of design parameters and properly incorporate this design into the overall building design. Bracing indicated is to prevent buckling of individual truss web and/or chord members only. Additional temporary and permanent bracing is always required for stability and to prevent collapse with possible personal injury and property damage. For general guidance regarding the fabrication, storage, delivery, erection and bracing of trusses and truss systems, see **ANSI/TPI1 Quality Criteria, DSB-89 and BCSI Building Component Safety Information** available from Truss Plate Institute, 2670 Crain Highway, Suite 203 Waldorf, MD 20601



818 Soundside Road
 Edenton, NC 27932

Job	Truss	Truss Type	Qty	Ply	Precision/Lot 44 Summerlin/Harnett	E14950648
J0920-4492	C4	ATTIC	3	1	Job Reference (optional)	

Comtech, Inc., Fayetteville, NC - 28314,

8.330 s Jul 22 2020 MiTek Industries, Inc. Wed Oct 7 09:21:42 2020 Page 1
 ID:Jjp3_bNirdpeLXA5mDh?5?y7p3U-ZOgrM2bt4cobYTUr36aEr4C755PBSU41fTQx1JyVre7

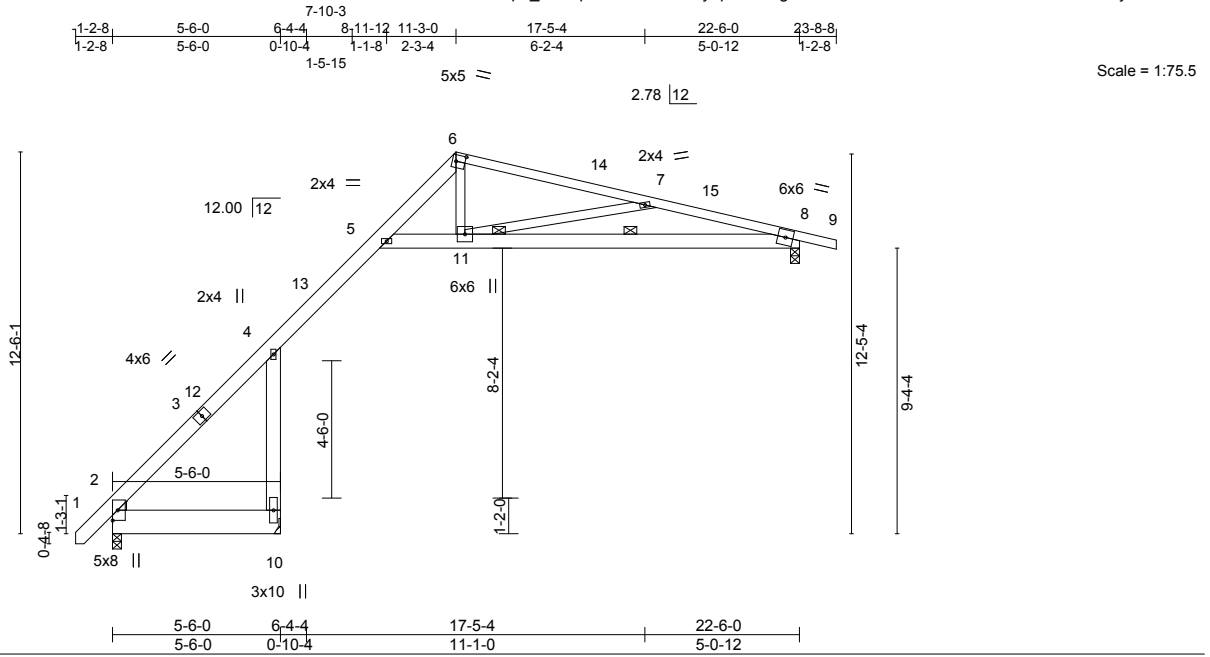


Plate Offsets (X,Y)-- [2:0-2-0,0-4-5], [2:0-1-0,0-1-0], [6:0-3-9,0-2-8]

LOADING (psf)	SPACING-	CSI.	DEFL.	in (loc)	l/defl	L/d	PLATES	GRIP
TCLL 20.0	Plate Grip DOL 1.15	TC 0.63	Vert(LL) 0.00	2-10	>999	360	MT20	244/190
TCDL 10.0	Lumber DOL 1.15	BC 0.14	Vert(CT) -0.00	2-10	>999	240		
BCLL 0.0 *	Rep Stress Incr YES	WB 0.60	Horz(CT) 0.29	8	n/a	n/a		
BCDL 10.0	Code IRC2015/TPI2014	Matrix-S	Wind(LL) -0.00	2-10	>999	240	Weight: 141 lb	FT = 20%

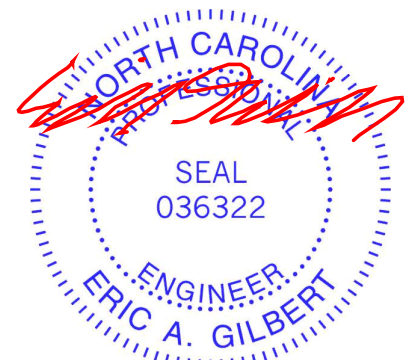
LUMBER-	BRACING-
TOP CHORD 2x6 SP No.1 *Except* 6-9: 2x4 SP No.1	TOP CHORD Structural wood sheathing directly applied or 4-11-9 oc purlins.
BOT CHORD 2x10 SP No.1	BOT CHORD Rigid ceiling directly applied or 10-0-0 oc bracing.
WEBS 2x6 SP No.1 *Except* 6-11,7-11: 2x4 SP No.2	WEBS 1 Row at midpt 8-11
	JOINTS 1 Brace at Jt(s): 11

WEDGE
Left: 2x4 SP No.2

REACTIONS. (size) 2=0-3-8, 10=Mechanical, 8=0-3-8
 Max Horz 2=345(LC 12)
 Max Uplift 2=86(LC 10), 10=491(LC 12), 8=197(LC 9)
 Max Grav 2=296(LC 12), 10=967(LC 20), 8=548(LC 1)

FORCES. (lb) - Max. Comp./Max. Ten. - All forces 250 (lb) or less except when shown.
 TOP CHORD 2-4=-523/603, 4-5=-395/192, 5-6=-662/468, 6-7=-669/489, 7-8=-1518/982
 WEBS 5-11=-374/606, 8-11=-924/1454, 7-11=-870/556, 4-10=-1157/854

- NOTES-**
- Unbalanced roof live loads have been considered for this design.
 - Wind: ASCE 7-10; Vult=130mph (3-second gust) Vasd=103mph; TCDL=6.0psf; BCDL=6.0psf; h=15ft; Cat. II; Exp C; Enclosed; MWFRS (envelope) and C-C Exterior(2) -1-0-14 to 3-3-15, Interior(1) 3-3-15 to 11-3-0, Exterior(2) 11-3-0 to 15-7-13, Interior(1) 15-7-13 to 23-8-8 zone; C-C for members and forces & MWFRS for reactions shown; Lumber DOL=1.60 plate grip DOL=1.60
 - This truss has been designed for a 10.0 psf bottom chord live load nonconcurrent with any other live loads.
 - * This truss has been designed for a live load of 30.0psf on the bottom chord in all areas where a rectangle 3-6-0 tall by 2-0-0 wide will fit between the bottom chord and any other members.
 - Refer to girder(s) for truss to truss connections.
 - Provide mechanical connection (by others) of truss to bearing plate capable of withstanding 86 lb uplift at joint 2, 491 lb uplift at joint 10 and 197 lb uplift at joint 8.
 - Attic room checked for L/360 deflection.



October 7, 2020

Job	Truss	Truss Type	Qty	Ply	Precision/Lot 44 Summerlin/Harnett	E14950649
J0920-4492	D1-SG	GABLE	1	1		

Comtech, Inc., Fayetteville, NC - 28314, 8.330 s Jul 22 2020 MiTek Industries, Inc. Wed Oct 7 09:21:42 2020 Page 1
 ID:Jjp3_bNirdpeLXA5mDh?5?y7p3U-ZOgrM2bt4cobYTUr36aEr4CF35QSSdW1fTQx1JyVre7

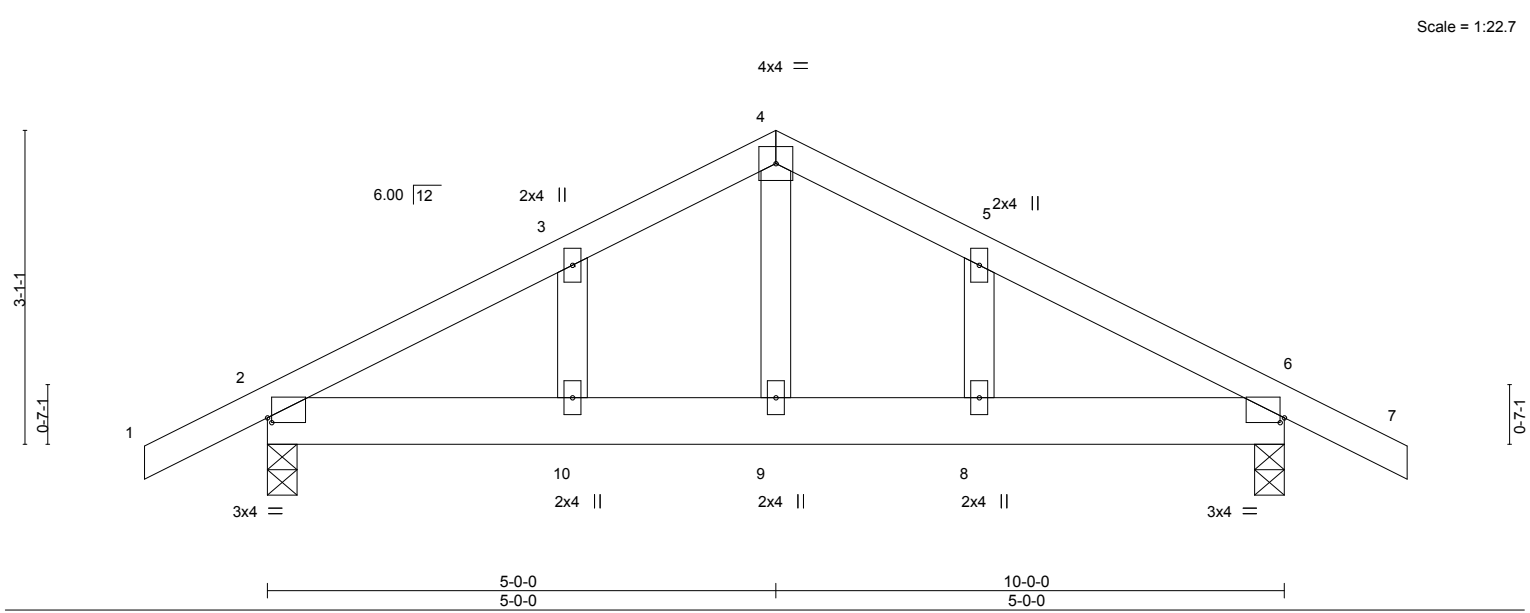


Plate Offsets (X,Y)-- [2:0-0-8,0-0-9], [6:0-0-8,0-0-9]

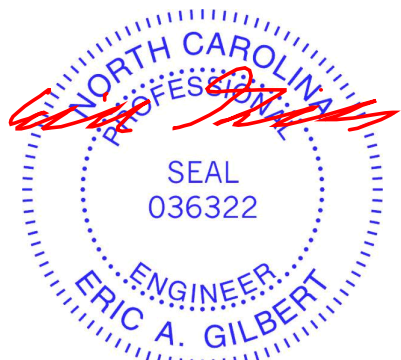
LOADING (psf)	SPACING-	CSI.	DEFL.	in (loc)	l/defl	L/d	PLATES	GRIP
TCLL 20.0	2-0-0	TC 0.12	Vert(LL)	-0.01	10	>999	MT20	244/190
TCDL 10.0	Plate Grip DOL 1.15	BC 0.12	Vert(CT)	-0.02	10	>999		
BCLL 0.0 *	Lumber DOL 1.15	WB 0.06	Horz(CT)	0.00	6	n/a		
BCDL 10.0	Rep Stress Incr YES	Matrix-S	Wind(LL)	0.02	8	>999		
	Code IRC2015/TPI2014						Weight: 52 lb	FT = 20%

LUMBER-	BRACING-
TOP CHORD 2x4 SP No.1	TOP CHORD Structural wood sheathing directly applied or 6-0-0 oc purlins.
BOT CHORD 2x6 SP No.1	BOT CHORD Rigid ceiling directly applied or 10-0-0 oc bracing.
WEBS 2x4 SP No.2	
OTHERS 2x4 SP No.2	

REACTIONS. (size) 2=0-3-8, 6=0-3-8
 Max Horz 2=-63(LC 17)
 Max Uplift 2=-120(LC 9), 6=-120(LC 8)
 Max Grav 2=470(LC 1), 6=470(LC 1)

FORCES. (lb) - Max. Comp./Max. Ten. - All forces 250 (lb) or less except when shown.
 TOP CHORD 2-3=-493/553, 3-4=-449/607, 4-5=-449/607, 5-6=-493/553
 BOT CHORD 2-10=-389/381, 9-10=-389/381, 8-9=-389/381, 6-8=-389/381
 WEBS 4-9=-415/246

- NOTES-**
- Unbalanced roof live loads have been considered for this design.
 - Wind: ASCE 7-10; Vult=130mph (3-second gust) Vasd=103mph; TCDL=6.0psf; BCDL=6.0psf; h=15ft; Cat. II; Exp C; Enclosed; MWFRS (envelope) gable end zone and C-C Exterior(2) zone; porch left and right exposed; C-C for members and forces & MWFRS for reactions shown; Lumber DOL=1.60 plate grip DOL=1.60
 - Truss designed for wind loads in the plane of the truss only. For studs exposed to wind (normal to the face), see Standard Industry Gable End Details as applicable, or consult qualified building designer as per ANSI/TPI 1.
 - Gable studs spaced at 2-0-0 oc.
 - This truss has been designed for a 10.0 psf bottom chord live load nonconcurrent with any other live loads.
 - * This truss has been designed for a live load of 30.0psf on the bottom chord in all areas where a rectangle 3-6-0 tall by 2-0-0 wide will fit between the bottom chord and any other members.
 - Provide mechanical connection (by others) of truss to bearing plate capable of withstanding 120 lb uplift at joint 2 and 120 lb uplift at joint 6.



October 7, 2020

Job	Truss	Truss Type	Qty	Ply	Precision/Lot 44 Summerlin/Harnett	E14950650
J0920-4492	D2	COMMON	4	1		

Comtech, Inc., Fayetteville, NC - 28314, 8.330 s Jul 22 2020 MiTek Industries, Inc. Wed Oct 7 09:21:43 2020 Page 1
 ID:Jjp3_bNirdpeLXA5mDh?5?y7p3U-1bEDZOCvrrwS9d31dp5TOHI0UUI2B4tBu7AVZmyVre6

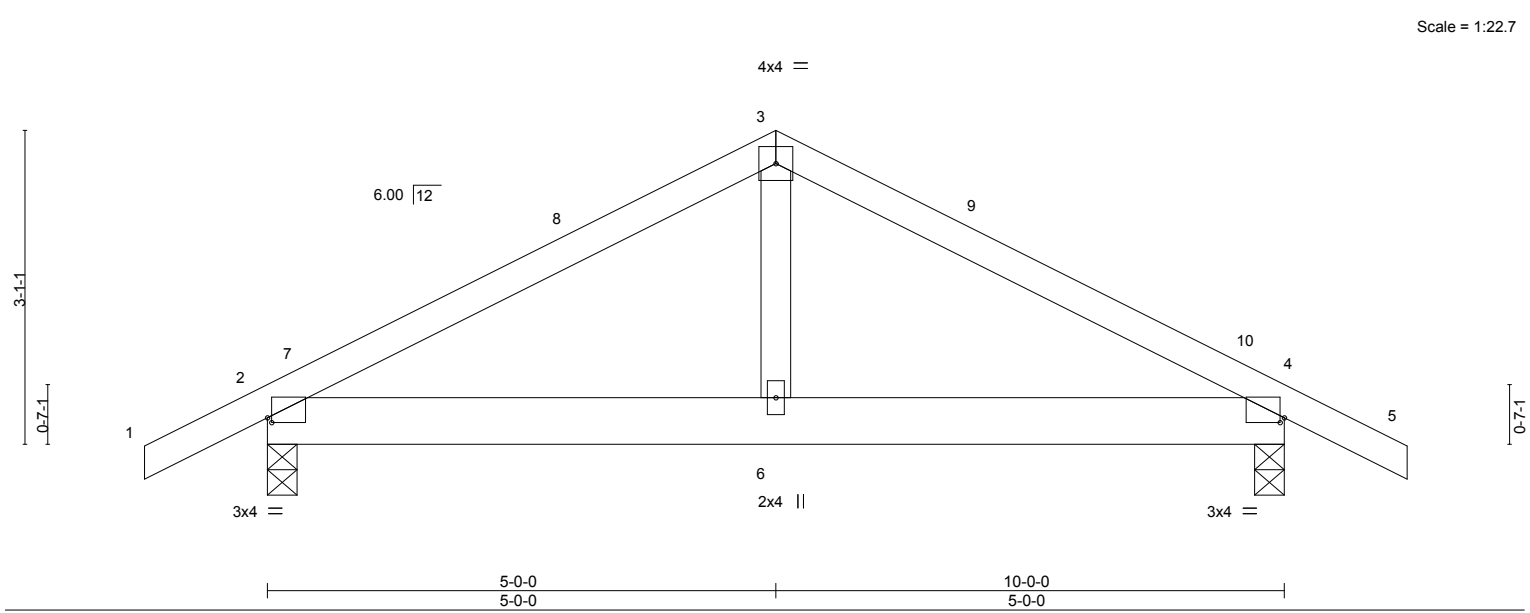


Plate Offsets (X,Y)-- [2:0-0-8,0-0-9], [4:0-0-8,0-0-9]

LOADING (psf)	SPACING-	CSI.	DEFL.	in (loc)	l/defl	L/d	PLATES	GRIP
TCLL 20.0	2-0-0	TC 0.21	Vert(LL)	0.02	4-6	>999	MT20	244/190
TCDL 10.0	Plate Grip DOL 1.15	BC 0.10	Vert(CT)	-0.01	2-6	>999		
BCLL 0.0 *	Lumber DOL 1.15	WB 0.05	Horz(CT)	0.00	4	n/a		
BCDL 10.0	Rep Stress Incr YES	Matrix-S					Weight: 48 lb	FT = 20%
	Code IRC2015/TPI2014							

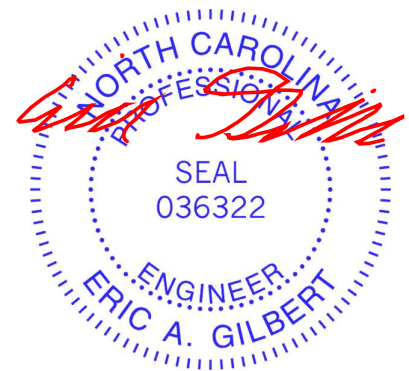
LUMBER-
 TOP CHORD 2x4 SP No.1
 BOT CHORD 2x6 SP No.1
 WEBS 2x4 SP No.2

BRACING-
 TOP CHORD Structural wood sheathing directly applied or 6-0-0 oc purlins.
 BOT CHORD Rigid ceiling directly applied or 10-0-0 oc bracing.

REACTIONS. (size) 2=0-3-8, 4=0-3-8
 Max Horz 2=-40(LC 10)
 Max Uplift 2=-91(LC 9), 4=-91(LC 8)
 Max Grav 2=470(LC 1), 4=470(LC 1)

FORCES. (lb) - Max. Comp./Max. Ten. - All forces 250 (lb) or less except when shown.
 TOP CHORD 2-3=-506/558, 3-4=-506/558
 BOT CHORD 2-6=-365/377, 4-6=-365/377
 WEBS 3-6=-327/239

- NOTES-**
- Unbalanced roof live loads have been considered for this design.
 - Wind: ASCE 7-10; Vult=130mph (3-second gust) Vasd=103mph; TCDL=6.0psf; BCDL=6.0psf; h=15ft; Cat. II; Exp C; Enclosed; MWFRS (envelope) and C-C Exterior(2) -1-2-8 to 3-2-5, Interior(1) 3-2-5 to 5-0-0, Exterior(2) 5-0-0 to 9-4-13, Interior(1) 9-4-13 to 11-2-8 zone; porch left and right exposed; C-C for members and forces & MWFRS for reactions shown; Lumber DOL=1.60 plate grip DOL=1.60
 - This truss has been designed for a 10.0 psf bottom chord live load nonconcurrent with any other live loads.
 - * This truss has been designed for a live load of 30.0psf on the bottom chord in all areas where a rectangle 3-6-0 tall by 2-0-0 wide will fit between the bottom chord and any other members.
 - Provide mechanical connection (by others) of truss to bearing plate capable of withstanding 91 lb uplift at joint 2 and 91 lb uplift at joint 4.



Job	Truss	Truss Type	Qty	Ply	Precision/Lot 44 Summerlin/Harnett	E14950651
J0920-4492	P1-GE	GABLE	1	1		

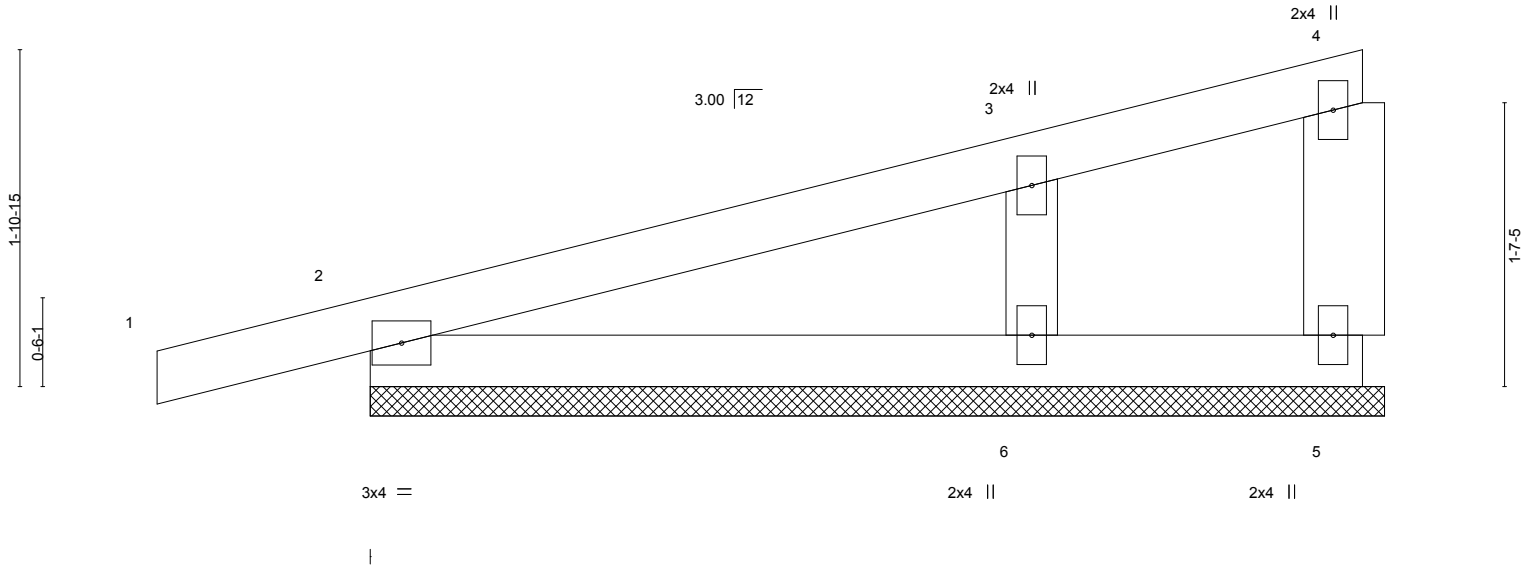
Comtech, Inc., Fayetteville, NC - 28314,

8.330 s Jul 22 2020 MiTek Industries, Inc. Wed Oct 7 09:21:43 2020 Page 1

ID:Jjp3_bNirdpeLXA5mDh?5?y7p3U-1bEDZocVrwwS9d31dp5TOHIQ7UJLB45Bu7AVZmyVre6



Scale = 1:13.1



LOADING (psf)	SPACING-	CSI.	DEFL.	in	(loc)	l/defl	L/d	PLATES	GRIP
TCLL 20.0	2-0-0	TC 0.10	Vert(LL)	-0.00	1	n/r	120	MT20	244/190
TCDL 10.0	Plate Grip DOL 1.15	BC 0.08	Vert(CT)	0.00	1	n/r	120		
BCLL 0.0 *	Lumber DOL 1.15	WB 0.04	Horz(CT)	0.00		n/a	n/a		
BCDL 10.0	Rep Stress Incr YES	Matrix-P						Weight: 23 lb	FT = 20%
	Code IRC2015/TPI2014								

LUMBER-

TOP CHORD 2x4 SP No.1
 BOT CHORD 2x4 SP No.1
 WEBS 2x6 SP No.1
 OTHERS 2x4 SP No.2

BRACING-

TOP CHORD Structural wood sheathing directly applied or 5-9-0 oc purlins, except end verticals.
 BOT CHORD Rigid ceiling directly applied or 10-0-0 oc bracing.

REACTIONS.

(size) 5=5-9-0, 2=5-9-0, 6=5-9-0
 Max Horz 2=80(LC 8)
 Max Uplift 5=-10(LC 8), 2=-93(LC 8), 6=-93(LC 12)
 Max Grav 5=20(LC 1), 2=210(LC 1), 6=284(LC 1)

FORCES. (lb) - Max. Comp./Max. Ten. - All forces 250 (lb) or less except when shown.

NOTES-

- 1) Wind: ASCE 7-10; Vult=130mph (3-second gust) Vasd=103mph; TCDL=6.0psf; BCDL=6.0psf; h=15ft; Cat. II; Exp C; Enclosed; MWFRS (envelope) gable end zone and C-C Exterior(2) zone; porch left and right exposed; C-C for members and forces & MWFRS for reactions shown; Lumber DOL=1.60 plate grip DOL=1.60
- 2) Truss designed for wind loads in the plane of the truss only. For studs exposed to wind (normal to the face), see Standard Industry Gable End Details as applicable, or consult qualified building designer as per ANSI/TPI 1.
- 3) Gable requires continuous bottom chord bearing.
- 4) Gable studs spaced at 2-0-0 oc.
- 5) This truss has been designed for a 10.0 psf bottom chord live load nonconcurrent with any other live loads.
- 6) * This truss has been designed for a live load of 30.0psf on the bottom chord in all areas where a rectangle 3-6-0 tall by 2-0-0 wide will fit between the bottom chord and any other members.
- 7) Provide mechanical connection (by others) of truss to bearing plate capable of withstanding 10 lb uplift at joint 5, 93 lb uplift at joint 2 and 93 lb uplift at joint 6.



October 7, 2020

WARNING - Verify design parameters and READ NOTES ON THIS AND INCLUDED MITEK REFERENCE PAGE MII-7473 rev. 5/19/2020 BEFORE USE.

Design valid for use only with MiTek® connectors. This design is based only upon parameters shown, and is for an individual building component, not a truss system. Before use, the building designer must verify the applicability of design parameters and properly incorporate this design into the overall building design. Bracing indicated is to prevent buckling of individual truss web and/or chord members only. Additional temporary and permanent bracing is always required for stability and to prevent collapse with possible personal injury and property damage. For general guidance regarding the fabrication, storage, delivery, erection and bracing of trusses and truss systems, see **ANSI/TPI1 Quality Criteria, DSB-89 and BCSI Building Component Safety Information** available from Truss Plate Institute, 2670 Crain Highway, Suite 203 Waldorf, MD 20601



818 Soundside Road
 Edenton, NC 27932

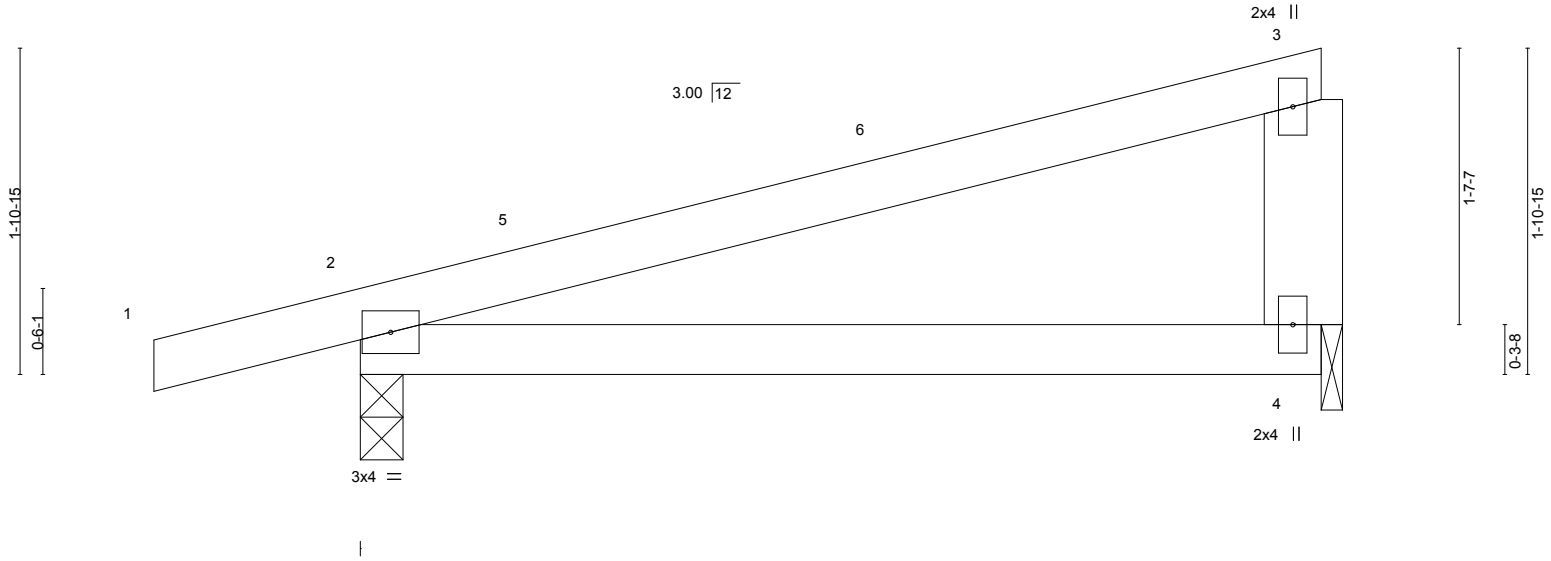
Job	Truss	Truss Type	Qty	Ply	Precision/Lot 44 Summerlin/Harnett	E14950652
J0920-4492	P2	MONOPITCH	6	1		

Comtech, Inc., Fayetteville, NC - 28314,

8.330 s Jul 22 2020 MiTek Industries, Inc. Wed Oct 7 09:21:44 2020 Page 1
 ID:Jjp3_bNirdpeLXA5mDh?5?y7p3U-Vnocjd7cD2JnneDAXciwVHWu2dwwXxK7nv25CyVre5



Scale = 1:13.5



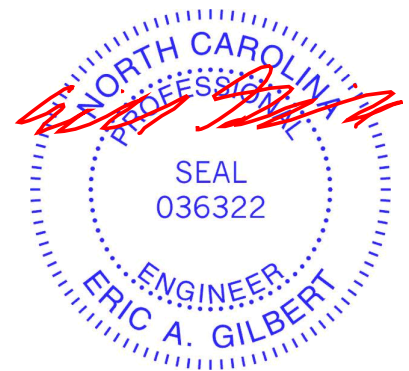
LOADING (psf)	SPACING-	2-0-0	CSI.	DEFL.	in (loc)	l/defl	L/d	PLATES	GRIP
TCLL 20.0	Plate Grip DOL	1.15	TC 0.37	Vert(LL)	-0.04 2-4	>999	360	MT20	244/190
TCDL 10.0	Lumber DOL	1.15	BC 0.27	Vert(CT)	-0.09 2-4	>728	240		
BCLL 0.0 *	Rep Stress Incr	YES	WB 0.00	Horz(CT)	0.00	n/a	n/a		
BCDL 10.0	Code IRC2015/TPI2014		Matrix-P	Wind(LL)	0.10 2-4	>655	240	Weight: 22 lb	FT = 20%

LUMBER-	BRACING-
TOP CHORD 2x4 SP No.1	TOP CHORD Structural wood sheathing directly applied or 5-9-0 oc purlins, except end verticals.
BOT CHORD 2x4 SP No.1	BOT CHORD Rigid ceiling directly applied or 10-0-0 oc bracing.
WEBS 2x6 SP No.1	

REACTIONS. (size) 2=0-3-0, 4=0-1-8
 Max Horz 2=56(LC 8)
 Max Uplift 2=-130(LC 8), 4=-85(LC 8)
 Max Grav 2=306(LC 1), 4=206(LC 1)

FORCES. (lb) - Max. Comp./Max. Ten. - All forces 250 (lb) or less except when shown.

- NOTES-**
- 1) Wind: ASCE 7-10; Vult=130mph (3-second gust) Vasd=103mph; TCDL=6.0psf; BCDL=6.0psf; h=15ft; Cat. II; Exp C; Enclosed; MWFRS (envelope) and C-C Exterior(2) -1-2-8 to 3-2-5, Interior(1) 3-2-5 to 5-6-4 zone; porch left and right exposed; C-C for members and forces & MWFRS for reactions shown; Lumber DOL=1.60 plate grip DOL=1.60
 - 2) This truss has been designed for a 10.0 psf bottom chord live load nonconcurrent with any other live loads.
 - 3) * This truss has been designed for a live load of 30.0psf on the bottom chord in all areas where a rectangle 3-6-0 tall by 2-0-0 wide will fit between the bottom chord and any other members.
 - 4) Bearing at joint(s) 4 considers parallel to grain value using ANSI/TPI 1 angle to grain formula. Building designer should verify capacity of bearing surface.
 - 5) Provide mechanical connection (by others) of truss to bearing plate at joint(s) 4.
 - 6) Provide mechanical connection (by others) of truss to bearing plate capable of withstanding 130 lb uplift at joint 2 and 85 lb uplift at joint 4.



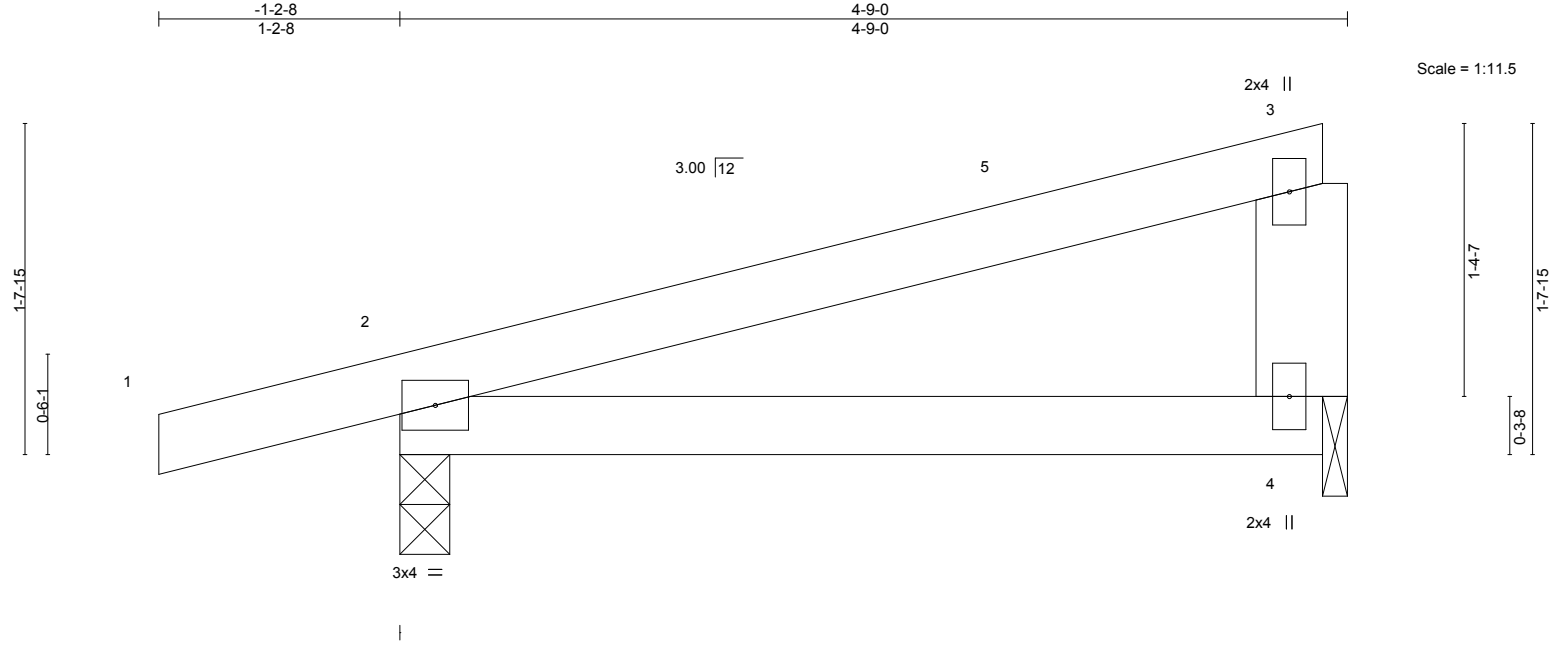
October 7, 2020

Job	Truss	Truss Type	Qty	Ply	Precision/Lot 44 Summerlin/Harnett	E14950653
J0920-4492	P3	MONOPITCH	10	1		

Comtech, Inc., Fayetteville, NC - 28314,

8.330 s Jul 22 2020 MiTek Industries, Inc. Wed Oct 7 09:21:44 2020 Page 1

ID:Jjp3_bNirdpeLXA5mDh?5?y7p3U-Vnocnjd7cD2JnneDAXciwVHYzu47wXxK7nv25CyVre5



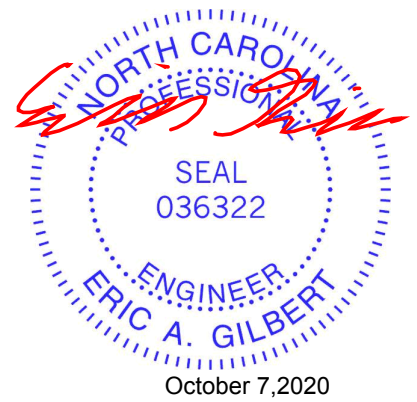
LOADING (psf)	SPACING-	2-0-0	CSI.	DEFL.	in	(loc)	l/defl	L/d	PLATES	GRIP
TCLL 20.0	Plate Grip DOL	1.15	TC 0.22	Vert(LL)	-0.02	2-4	>999	360	MT20	244/190
TCDL 10.0	Lumber DOL	1.15	BC 0.17	Vert(CT)	-0.04	2-4	>999	240		
BCLL 0.0 *	Rep Stress Incr	YES	WB 0.00	Horz(CT)	0.00		n/a	n/a		
BCDL 10.0	Code IRC2015/TPI2014		Matrix-P	Wind(LL)	0.04	2-4	>999	240	Weight: 18 lb	FT = 20%

LUMBER-	BRACING-
TOP CHORD 2x4 SP No.1	TOP CHORD Structural wood sheathing directly applied or 5-9-0 oc purlins, except end verticals.
BOT CHORD 2x4 SP No.1	BOT CHORD Rigid ceiling directly applied or 10-0-0 oc bracing.
WEBS 2x6 SP No.1	

REACTIONS. (size) 2=0-3-0, 4=0-1-8
 Max Horz 2=48(LC 8)
 Max Uplift 2=-117(LC 8), 4=-67(LC 8)
 Max Grav 2=268(LC 1), 4=164(LC 1)

FORCES. (lb) - Max. Comp./Max. Ten. - All forces 250 (lb) or less except when shown.

- NOTES-**
- 1) Wind: ASCE 7-10; Vult=130mph (3-second gust) Vasd=103mph; TCDL=6.0psf; BCDL=6.0psf; h=15ft; Cat. II; Exp C; Enclosed; MWFRS (envelope) and C-C Exterior(2) -1-2-8 to 3-2-5, Interior(1) 3-2-5 to 4-6-4 zone; porch left and right exposed;C-C for members and forces & MWFRS for reactions shown; Lumber DOL=1.60 plate grip DOL=1.60
 - 2) This truss has been designed for a 10.0 psf bottom chord live load nonconcurrent with any other live loads.
 - 3) * This truss has been designed for a live load of 30.0psf on the bottom chord in all areas where a rectangle 3-6-0 tall by 2-0-0 wide will fit between the bottom chord and any other members.
 - 4) Bearing at joint(s) 4 considers parallel to grain value using ANSI/TPI 1 angle to grain formula. Building designer should verify capacity of bearing surface.
 - 5) Provide mechanical connection (by others) of truss to bearing plate at joint(s) 4.
 - 6) Provide mechanical connection (by others) of truss to bearing plate capable of withstanding 117 lb uplift at joint 2 and 67 lb uplift at joint 4.

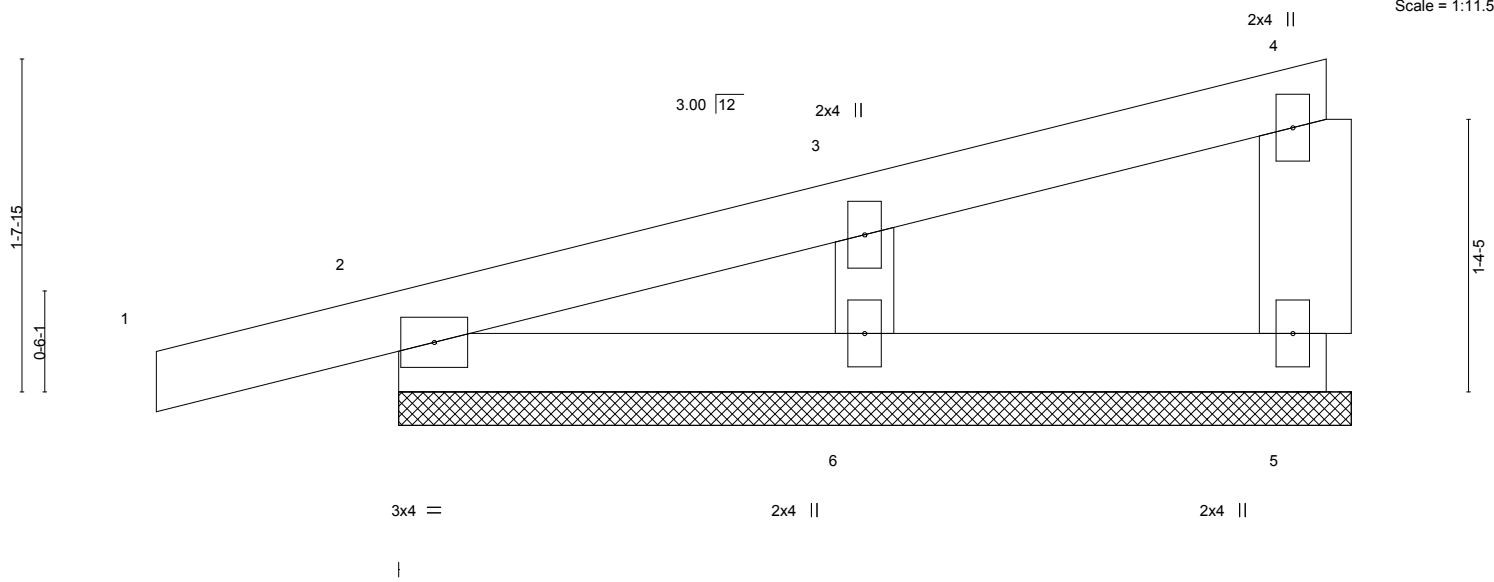


Job	Truss	Truss Type	Qty	Ply	Precision/Lot 44 Summerlin/Harnett	E14950654
J0920-4492	P4-GE	GABLE	1	1		

Comtech, Inc., Fayetteville, NC - 28314, 8.330 s Jul 22 2020 MiTek Industries, Inc. Wed Oct 7 09:21:45 2020 Page 1
 ID:JjP3_bNirdpeLXA5mDh?5?y7p3U-zzL__3eINXAAPxDQkE7xTiqI9ISVf_IULRfbdeyVre4



Scale = 1:11.5



LOADING (psf)	SPACING-	CSI.	DEFL.	in	(loc)	l/defl	L/d	PLATES	GRIP
TCLL 20.0	2-0-0	TC 0.07	Vert(LL)	0.00	1	n/r	120	MT20	244/190
TCDL 10.0	Plate Grip DOL 1.15	BC 0.04	Vert(CT)	-0.00	1	n/r	120		
BCLL 0.0 *	Lumber DOL 1.15	WB 0.03	Horz(CT)	0.00		n/a	n/a		
BCDL 10.0	Rep Stress Incr YES	Matrix-P						Weight: 19 lb	FT = 20%
	Code IRC2015/TPI2014								

LUMBER-	BRACING-
TOP CHORD 2x4 SP No.1	TOP CHORD Structural wood sheathing directly applied or 5-9-0 oc purlins, except end verticals.
BOT CHORD 2x4 SP No.1	BOT CHORD Rigid ceiling directly applied or 10-0-0 oc bracing.
WEBS 2x6 SP No.1	
OTHERS 2x4 SP No.2	

REACTIONS. (size) 5=4-9-0, 2=4-9-0, 6=4-9-0
 Max Horz 2=69(LC 8)
 Max Uplift 5=-25(LC 8), 2=-85(LC 8), 6=-65(LC 12)
 Max Grav 5=70(LC 1), 2=167(LC 1), 6=197(LC 1)

FORCES. (lb) - Max. Comp./Max. Ten. - All forces 250 (lb) or less except when shown.

- NOTES-**
- 1) Wind: ASCE 7-10; Vult=130mph (3-second gust) Vasd=103mph; TCDL=6.0psf; BCDL=6.0psf; h=15ft; Cat. II; Exp C; Enclosed; MWFRS (envelope) gable end zone and C-C Exterior(2) zone; porch left and right exposed; C-C for members and forces & MWFRS for reactions shown; Lumber DOL=1.60 plate grip DOL=1.60
 - 2) Truss designed for wind loads in the plane of the truss only. For studs exposed to wind (normal to the face), see Standard Industry Gable End Details as applicable, or consult qualified building designer as per ANSI/TPI 1.
 - 3) Gable requires continuous bottom chord bearing.
 - 4) Gable studs spaced at 2-0-0 oc.
 - 5) This truss has been designed for a 10.0 psf bottom chord live load nonconcurrent with any other live loads.
 - 6) * This truss has been designed for a live load of 30.0psf on the bottom chord in all areas where a rectangle 3-6-0 tall by 2-0-0 wide will fit between the bottom chord and any other members.
 - 7) Provide mechanical connection (by others) of truss to bearing plate capable of withstanding 25 lb uplift at joint 5, 85 lb uplift at joint 2 and 65 lb uplift at joint 6.

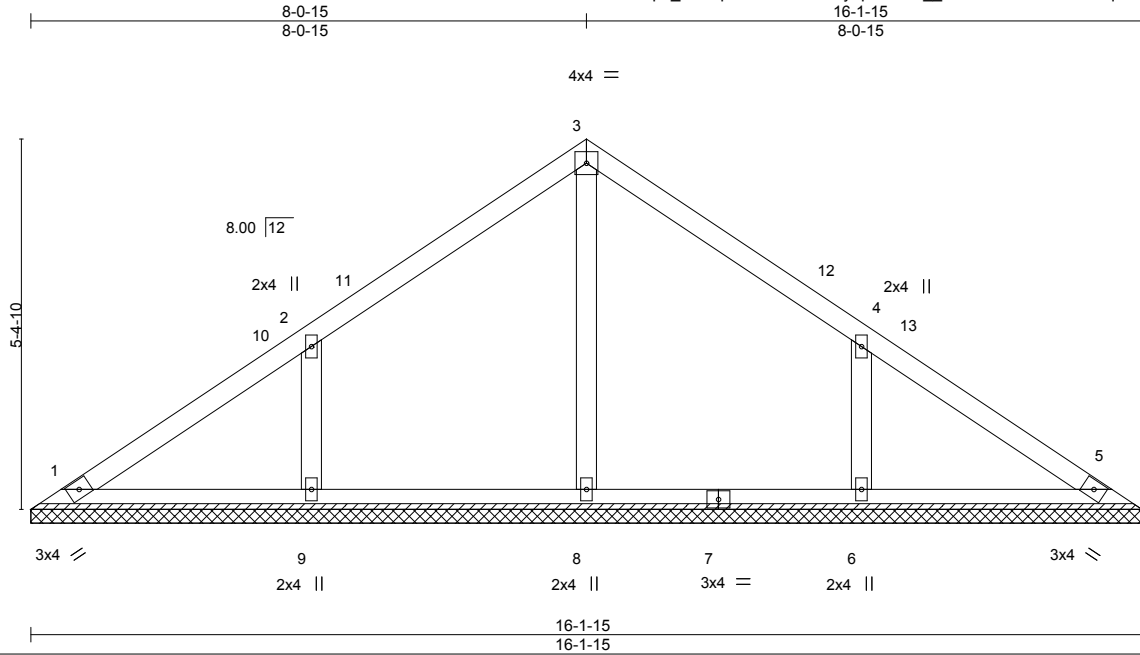


October 7, 2020

Job	Truss	Truss Type	Qty	Ply	Precision/Lot 44 Summerlin/Harnett	E14950655
J0920-4492	VB1	Valley	1	1	Job Reference (optional)	

Comtech, Inc., Fayetteville, NC - 28314,

8.330 s Jul 22 2020 MiTek Industries, Inc. Wed Oct 7 09:21:45 2020 Page 1
 ID:JJp3_bNirdpeLXA5mDh?5?y7p3U-zzL__3eINXAAPxDQkE7xTiqliIRkfzOULRfbdyVre4



Scale = 1:33.5

LOADING (psf)	SPACING-	CSI.	DEFL.	PLATES	GRIP
TCLL 20.0	2-0-0	TC 0.16	in (loc) l/defl L/d	MT20	244/190
TCDL 10.0	Plate Grip DOL 1.15	BC 0.09	Vert(LL) n/a - n/a 999		
BCLL 0.0 *	Lumber DOL 1.15	WB 0.08	Vert(CT) n/a - n/a 999		
BCDL 10.0	Rep Stress Incr YES	Matrix-S	Horz(CT) 0.00 5 n/a n/a	Weight: 65 lb	FT = 20%
	Code IRC2015/TPI2014				

LUMBER-

TOP CHORD 2x4 SP No.1
 BOT CHORD 2x4 SP No.1
 OTHERS 2x4 SP No.2

BRACING-

TOP CHORD Structural wood sheathing directly applied or 6-0-0 oc purlins.
 BOT CHORD Rigid ceiling directly applied or 10-0-0 oc bracing.

REACTIONS.

All bearings 16-1-15.
 (lb) - Max Horz 1=121(LC 8)
 Max Uplift All uplift 100 lb or less at joint(s) 1 except 9=-108(LC 12), 6=-108(LC 13)
 Max Grav All reactions 250 lb or less at joint(s) 1, 5, 8 except 9=385(LC 19), 6=385(LC 20)

FORCES. (lb) - Max. Comp./Max. Ten. - All forces 250 (lb) or less except when shown.
 WEBS 2-9=-322/211, 4-6=-322/211

NOTES-

- Unbalanced roof live loads have been considered for this design.
- Wind: ASCE 7-10; Vult=130mph (3-second gust) Vasd=103mph; TCDL=6.0psf; BCDL=6.0psf; h=15ft; Cat. II; Exp C; Enclosed; MWFRS (envelope) and C-C Exterior(2) 0-5-12 to 4-10-9, Interior(1) 4-10-9 to 8-0-15, Exterior(2) 8-0-15 to 12-5-12, Interior(1) 12-5-12 to 15-8-2 zone; C-C for members and forces & MWFRS for reactions shown; Lumber DOL=1.60 plate grip DOL=1.60
- Gable requires continuous bottom chord bearing.
- This truss has been designed for a 10.0 psf bottom chord live load nonconcurrent with any other live loads.
- * This truss has been designed for a live load of 30.0psf on the bottom chord in all areas where a rectangle 3-6-0 tall by 2-0-0 wide will fit between the bottom chord and any other members.
- Provide mechanical connection (by others) of truss to bearing plate capable of withstanding 100 lb uplift at joint(s) 1 except (jt=lb) 9=108, 6=108.



October 7, 2020

WARNING - Verify design parameters and READ NOTES ON THIS AND INCLUDED MITEK REFERENCE PAGE MII-7473 rev. 5/19/2020 BEFORE USE.

Design valid for use only with MiTek® connectors. This design is based only upon parameters shown, and is for an individual building component, not a truss system. Before use, the building designer must verify the applicability of design parameters and properly incorporate this design into the overall building design. Bracing indicated is to prevent buckling of individual truss web and/or chord members only. Additional temporary and permanent bracing is always required for stability and to prevent collapse with possible personal injury and property damage. For general guidance regarding the fabrication, storage, delivery, erection and bracing of trusses and truss systems, see **ANSI/TPI1 Quality Criteria, DSB-89 and BCSI Building Component Safety Information** available from Truss Plate Institute, 2670 Crain Highway, Suite 203 Waldorf, MD 20601



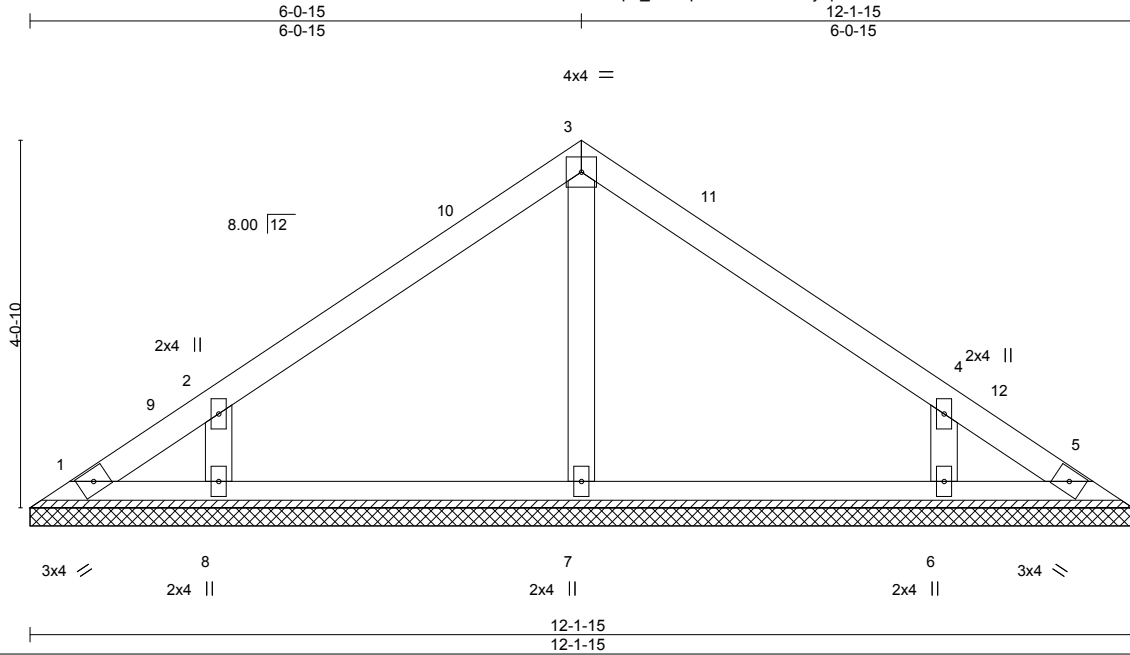
818 Soundside Road
 Edenton, NC 27932

Job	Truss	Truss Type	Qty	Ply	Precision/Lot 44 Summerlin/Harnett	E14950656
J0920-4492	VB2	Valley	1	1	Job Reference (optional)	

Comtech, Inc., Fayetteville, NC - 28314,

8.330 s Jul 22 2020 MiTek Industries, Inc. Wed Oct 7 09:21:46 2020 Page 1

ID:Jjp3_bNirdpeLXA5mDh?5?y7p3U-SAvMCPeN8r1105nclxfA0wNwzinwORKda5O9A4yVre3



Scale = 1:25.4

LOADING (psf)	SPACING-	CSI.	DEFL.	in (loc)	l/defl	L/d	PLATES	GRIP
TCLL 20.0	2-0-0	TC 0.13	Vert(LL)	n/a	-	n/a	MT20	244/190
TCDL 10.0	Plate Grip DOL 1.15	BC 0.09	Vert(CT)	n/a	-	n/a		
BCLL 0.0 *	Lumber DOL 1.15	WB 0.05	Horz(CT)	0.00	5	n/a		
BCDL 10.0	Rep Stress Incr YES	Matrix-S					Weight: 46 lb	FT = 20%
	Code IRC2015/TPI2014							

LUMBER-

TOP CHORD 2x4 SP No.1
 BOT CHORD 2x4 SP No.1
 OTHERS 2x4 SP No.2

BRACING-

TOP CHORD Structural wood sheathing directly applied or 6-0-0 oc purlins.
 BOT CHORD Rigid ceiling directly applied or 10-0-0 oc bracing.

REACTIONS.

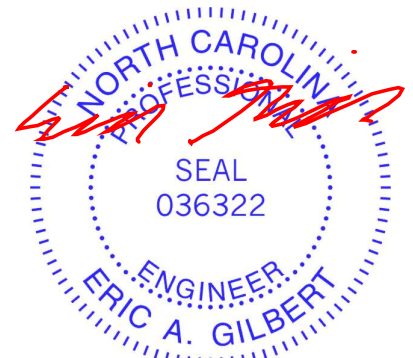
All bearings 12-1-15.
 (lb) - Max Horz 1=89(LC 11)
 Max Uplift All uplift 100 lb or less at joint(s) 1, 5, 8, 6
 Max Grav All reactions 250 lb or less at joint(s) 1, 5 except 7=264(LC 1), 8=314(LC 19), 6=314(LC 20)

FORCES. (lb) - Max. Comp./Max. Ten. - All forces 250 (lb) or less except when shown.

WEBS 2-8=-279/203, 4-6=-279/203

NOTES-

- Unbalanced roof live loads have been considered for this design.
- Wind: ASCE 7-10; Vult=130mph (3-second gust) Vasd=103mph; TCDL=6.0psf; BCDL=6.0psf; h=15ft; Cat. II; Exp C; Enclosed; MWFRS (envelope) and C-C Exterior(2) 0-5-12 to 4-10-9, Interior(1) 4-10-9 to 6-0-15, Exterior(2) 6-0-15 to 10-5-12, Interior(1) 10-5-12 to 11-8-2 zone; C-C for members and forces & MWFRS for reactions shown; Lumber DOL=1.60 plate grip DOL=1.60
- Gable requires continuous bottom chord bearing.
- This truss has been designed for a 10.0 psf bottom chord live load nonconcurrent with any other live loads.
- * This truss has been designed for a live load of 30.0psf on the bottom chord in all areas where a rectangle 3-6-0 tall by 2-0-0 wide will fit between the bottom chord and any other members.
- Provide mechanical connection (by others) of truss to bearing plate capable of withstanding 100 lb uplift at joint(s) 1, 5, 8, 6.



October 7, 2020

WARNING - Verify design parameters and READ NOTES ON THIS AND INCLUDED MITEK REFERENCE PAGE MII-7473 rev. 5/19/2020 BEFORE USE.

Design valid for use only with MiTek® connectors. This design is based only upon parameters shown, and is for an individual building component, not a truss system. Before use, the building designer must verify the applicability of design parameters and properly incorporate this design into the overall building design. Bracing indicated is to prevent buckling of individual truss web and/or chord members only. Additional temporary and permanent bracing is always required for stability and to prevent collapse with possible personal injury and property damage. For general guidance regarding the fabrication, storage, delivery, erection and bracing of trusses and truss systems, see **ANSI/TPI1 Quality Criteria, DSB-89 and BCSI Building Component Safety Information** available from Truss Plate Institute, 2670 Crain Highway, Suite 203 Waldorf, MD 20601

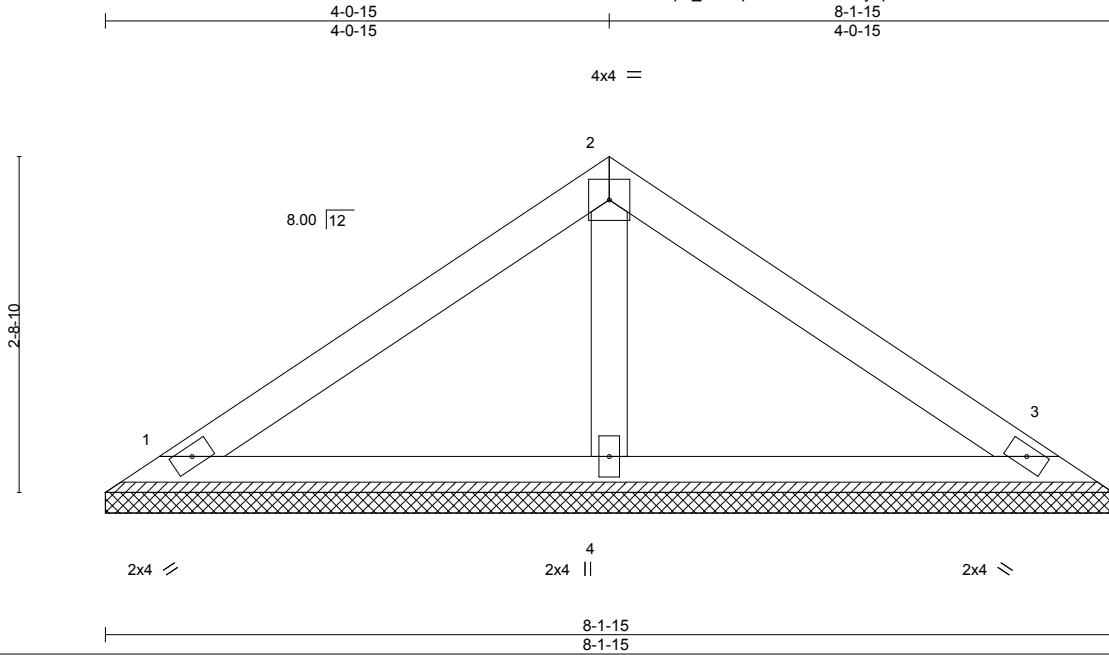


818 Soundside Road
 Edenton, NC 27932

Job	Truss	Truss Type	Qty	Ply	Precision/Lot 44 Summerlin/Harnett	E14950657
J0920-4492	VB3	Valley	1	1	Job Reference (optional)	

Comtech, Inc., Fayetteville, NC - 28314,

8.330 s Jul 22 2020 MiTek Industries, Inc. Wed Oct 7 09:21:47 2020 Page 1
ID:JJp3_bNirdpeLXA5mDh?5?y7p3U-wMTkPlf0v8QueEMosfAPY7v4u6727uJnpl8iiXyVre2



LOADING (psf)	SPACING-	2-0-0	CSI.	DEFL.	in	(loc)	l/defl	L/d	PLATES	GRIP
TCLL 20.0	Plate Grip DOL	1.15	TC 0.18	Vert(LL)	n/a	-	n/a	999	MT20	244/190
TCDL 10.0	Lumber DOL	1.15	BC 0.10	Vert(CT)	n/a	-	n/a	999		
BCLL 0.0 *	Rep Stress Incr	YES	WB 0.02	Horz(CT)	0.00	3	n/a	n/a		
BCDL 10.0	Code IRC2015/TPI2014		Matrix-P						Weight: 28 lb	FT = 20%

LUMBER-

TOP CHORD 2x4 SP No.1
BOT CHORD 2x4 SP No.1
OTHERS 2x4 SP No.2

BRACING-

TOP CHORD Structural wood sheathing directly applied or 6-0-0 oc purlins.
BOT CHORD Rigid ceiling directly applied or 10-0-0 oc bracing.

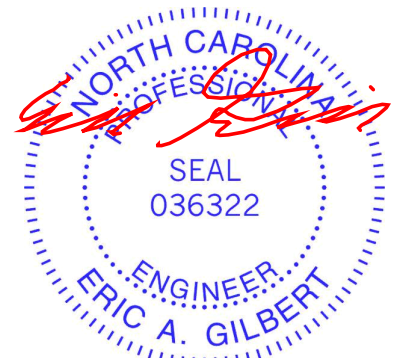
REACTIONS.

(size) 1=8-1-15, 3=8-1-15, 4=8-1-15
Max Horz 1=-58(LC 8)
Max Uplift 1=-25(LC 12), 3=-30(LC 13)
Max Grav 1=156(LC 1), 3=156(LC 1), 4=263(LC 1)

FORCES. (lb) - Max. Comp./Max. Ten. - All forces 250 (lb) or less except when shown.

NOTES-

- 1) Unbalanced roof live loads have been considered for this design.
- 2) Wind: ASCE 7-10; Vult=130mph (3-second gust) Vasd=103mph; TC DL=6.0psf; BC DL=6.0psf; h=15ft; Cat. II; Exp C; Enclosed; MWFRS (envelope) and C-C Exterior(2) zone; C-C for members and forces & MWFRS for reactions shown; Lumber DOL=1.60 plate grip DOL=1.60
- 3) Gable requires continuous bottom chord bearing.
- 4) This truss has been designed for a 10.0 psf bottom chord live load nonconcurrent with any other live loads.
- 5) * This truss has been designed for a live load of 30.0psf on the bottom chord in all areas where a rectangle 3-6-0 tall by 2-0-0 wide will fit between the bottom chord and any other members.
- 6) Provide mechanical connection (by others) of truss to bearing plate capable of withstanding 100 lb uplift at joint(s) 1, 3.



October 7, 2020

WARNING - Verify design parameters and READ NOTES ON THIS AND INCLUDED MITEK REFERENCE PAGE MII-7473 rev. 5/19/2020 BEFORE USE.

Design valid for use only with MiTek® connectors. This design is based only upon parameters shown, and is for an individual building component, not a truss system. Before use, the building designer must verify the applicability of design parameters and properly incorporate this design into the overall building design. Bracing indicated is to prevent buckling of individual truss web and/or chord members only. Additional temporary and permanent bracing is always required for stability and to prevent collapse with possible personal injury and property damage. For general guidance regarding the fabrication, storage, delivery, erection and bracing of trusses and truss systems, see **ANSI/TPI1 Quality Criteria, DSB-89 and BCSI Building Component Safety Information** available from Truss Plate Institute, 2670 Crain Highway, Suite 203 Waldorf, MD 20601

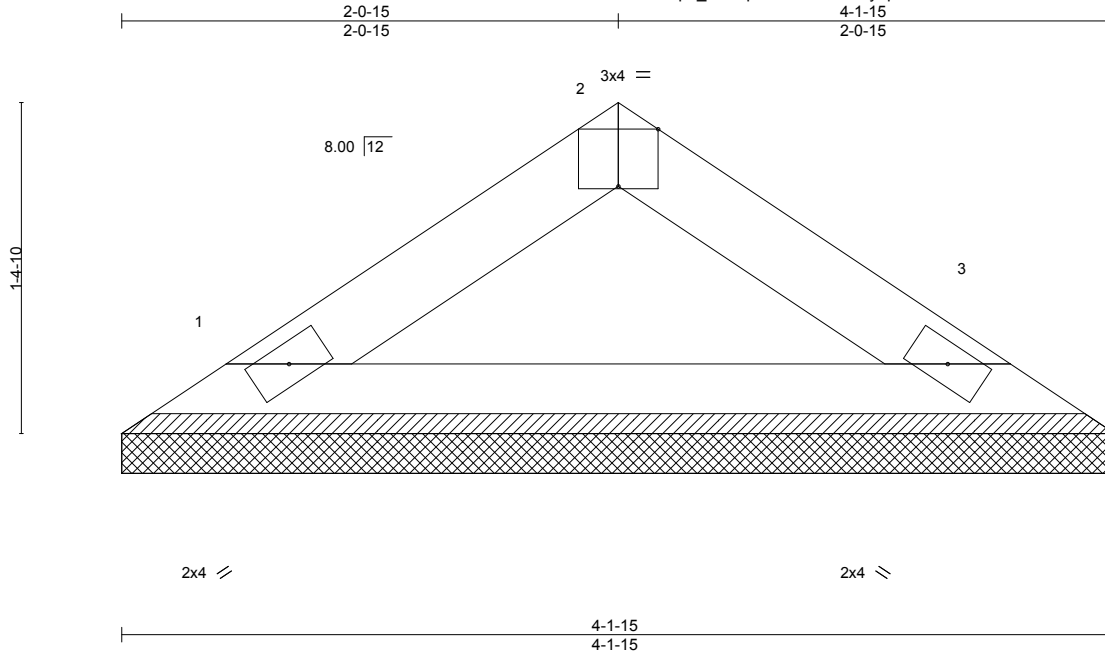


818 Soundside Road
Edenton, NC 27932

Job	Truss	Truss Type	Qty	Ply	Precision/Lot 44 Summerlin/Harnett	E14950658
J0920-4492	VB4	Valley	1	1	Job Reference (optional)	

Comtech, Inc., Fayetteville, NC - 28314,

8.330 s Jul 22 2020 MiTek Industries, Inc. Wed Oct 7 09:21:47 2020 Page 1
ID:JJp3_bNirdpeLXA5mDh?5?y7p3U-wMTkPif0v8QueEMosfAPY7v6D6797uhnpI8iiXyVre2



Scale = 1:9.7

Plate Offsets (X,Y)-- [2:0-2:0,Edge]

LOADING (psf)	SPACING-	2-0-0	CSI.	DEFL.	in (loc)	l/defl	L/d	PLATES	GRIP
TCLL 20.0	Plate Grip DOL	1.15	TC 0.03	Vert(LL)	n/a	-	n/a	MT20	244/190
TCDL 10.0	Lumber DOL	1.15	BC 0.09	Vert(CT)	n/a	-	n/a		
BCLL 0.0 *	Rep Stress Incr	YES	WB 0.00	Horz(CT)	0.00	3	n/a		
BCDL 10.0	Code	IRC2015/TPI2014	Matrix-P					Weight: 12 lb	FT = 20%

LUMBER-
TOP CHORD 2x4 SP No.1
BOT CHORD 2x4 SP No.1

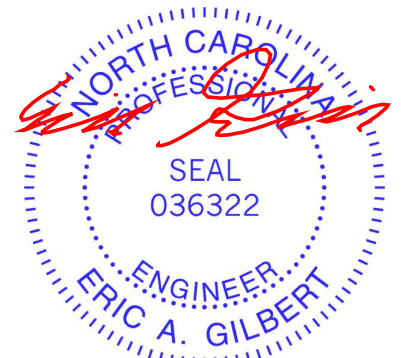
BRACING-
TOP CHORD Structural wood sheathing directly applied or 4-1-15 oc purlins.
BOT CHORD Rigid ceiling directly applied or 10-0-0 oc bracing.

REACTIONS. (size) 1=4-1-15, 3=4-1-15
Max Horz 1=-26(LC 8)
Max Uplift 1=-7(LC 12), 3=-7(LC 13)
Max Grav 1=128(LC 1), 3=128(LC 1)

FORCES. (lb) - Max. Comp./Max. Ten. - All forces 250 (lb) or less except when shown.

NOTES-

- 1) Unbalanced roof live loads have been considered for this design.
- 2) Wind: ASCE 7-10; Vult=130mph (3-second gust) Vasd=103mph; TCDL=6.0psf; BCDL=6.0psf; h=15ft; Cat. II; Exp C; Enclosed; MWFRS (envelope) and C-C Exterior(2) zone;C-C for members and forces & MWFRS for reactions shown; Lumber DOL=1.60 plate grip DOL=1.60
- 3) Gable requires continuous bottom chord bearing.
- 4) This truss has been designed for a 10.0 psf bottom chord live load nonconcurrent with any other live loads.
- 5) * This truss has been designed for a live load of 30.0psf on the bottom chord in all areas where a rectangle 3-6-0 tall by 2-0-0 wide will fit between the bottom chord and any other members.
- 6) Provide mechanical connection (by others) of truss to bearing plate capable of withstanding 100 lb uplift at joint(s) 1, 3.



October 7, 2020

WARNING - Verify design parameters and READ NOTES ON THIS AND INCLUDED MITEK REFERENCE PAGE MII-7473 rev. 5/19/2020 BEFORE USE.

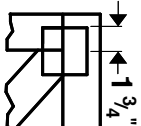
Design valid for use only with MiTek® connectors. This design is based only upon parameters shown, and is for an individual building component, not a truss system. Before use, the building designer must verify the applicability of design parameters and properly incorporate this design into the overall building design. Bracing indicated is to prevent buckling of individual truss web and/or chord members only. Additional temporary and permanent bracing is always required for stability and to prevent collapse with possible personal injury and property damage. For general guidance regarding the fabrication, storage, delivery, erection and bracing of trusses and truss systems, see **ANSI/TPI1 Quality Criteria, DSB-89 and BCSI Building Component Safety Information** available from Truss Plate Institute, 2670 Crain Highway, Suite 203 Waldorf, MD 20601

ENGINEERING BY
TRENCO
A MiTek Affiliate

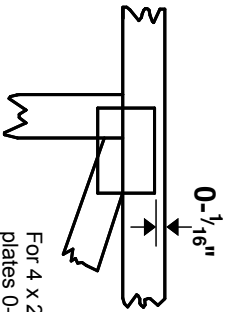
818 Soundside Road
Edenton, NC 27932

Symbols

PLATE LOCATION AND ORIENTATION



Center plate on joint unless x, y offsets are indicated. Dimensions are in ft-in-sixteenths. Apply plates to both sides of truss and fully embed teeth.



For 4 x 2 orientation, locate plates 0- 1/16" from outside edge of truss.



This symbol indicates the required direction of slots in connector plates.

* Plate location details available in **MITek 20/20 software** or upon request.

PLATE SIZE

4 X 4

The first dimension is the plate width measured perpendicular to slots. Second dimension is the length parallel to slots.

LATERAL BRACING LOCATION



Indicated by symbol shown and/or by text in the bracing section of the output. Use T or I bracing if indicated.

BEARING



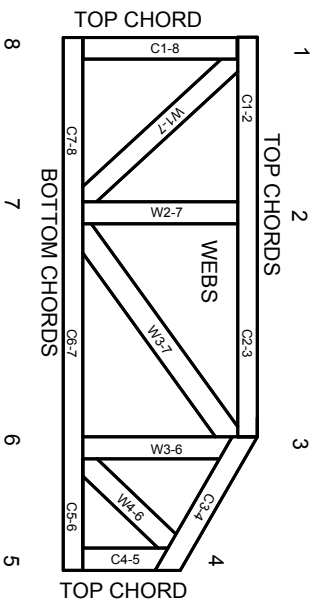
Indicates location where bearings (supports) occur. Icons vary but reaction section indicates joint number where bearings occur. Min size shown is for crushing only.

Industry Standards:

ANSI/TP1: National Design Specification for Metal Plate Connected Wood Truss Construction.
DSB-89: Design Standard for Bracing.
BCSI: Building Component Safety Information, Guide to Good Practice for Handling, Installing & Bracing of Metal Plate Connected Wood Trusses.

Numbering System

6-4-8
dimensions shown in ft-in-sixteenths
(Drawings not to scale)



JOINTS ARE GENERALLY NUMBERED/LETTERED CLOCKWISE AROUND THE TRUSS STARTING AT THE JOINT FARTHEST TO THE LEFT.

CHORDS AND WEBS ARE IDENTIFIED BY END JOINT NUMBERS/LETTERS.

PRODUCT CODE APPROVALS

ICC-ES Reports:

ESR-1311, ESR-1352, ESR1988
ER-3907, ESR-2362, ESR-1397, ESR-3282

Trusses are designed for wind loads in the plane of the truss unless otherwise shown.

Lumber design values are in accordance with ANSI/TP1 section 6.3 These truss designs rely on lumber values established by others.

© 2012 MITteK® All Rights Reserved



MITek Engineering Reference Sheet: Mill-7473 rev. 5/19/2020



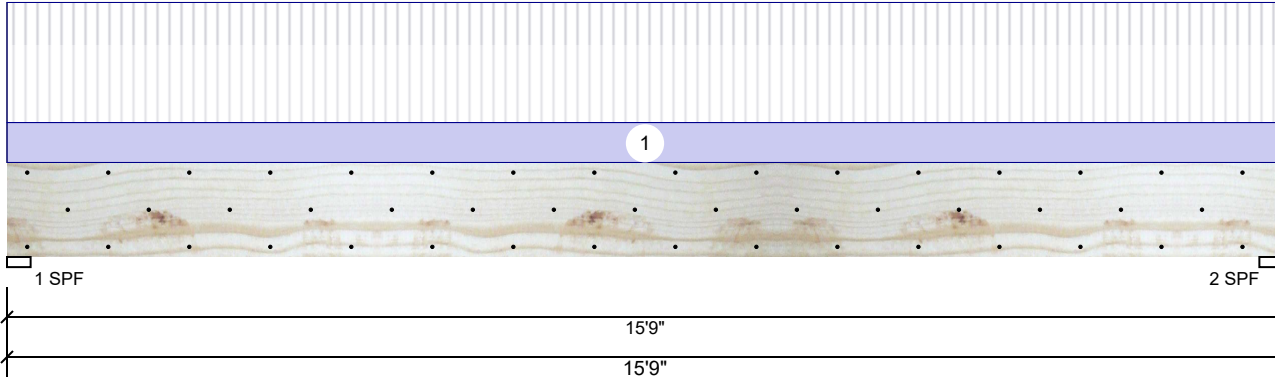
General Safety Notes

Failure to Follow Could Cause Property Damage or Personal Injury

1. Additional stability bracing for truss system, e.g. diagonal or X-bracing, is always required. See BCSI.
2. Truss bracing must be designed by an engineer. For wide truss spacing, individual lateral braces themselves may require bracing, or alternative T or I bracing should be considered.
3. Never exceed the design loading shown and never stack materials on inadequately braced trusses.
4. Provide copies of this truss design to the building designer, erection supervisor, property owner and all other interested parties.
5. Cut members to bear tightly against each other.
6. Place plates on each face of truss at each joint and embed fully. Knots and wane at joint locations are regulated by ANSI/TP1 1.
7. Design assumes trusses will be suitably protected from the environment in accord with ANSI/TP1 1.
8. Unless otherwise noted, moisture content of lumber shall not exceed 19% at time of fabrication.
9. Unless expressly noted, this design is not applicable for use with fire retardant, preservative treated, or green lumber.
10. Camber is a non-structural consideration and is the responsibility of truss fabricator. General practice is to camber for dead load deflection.
11. Plate type, size, orientation and location dimensions indicated are minimum plating requirements.
12. Lumber used shall be of the species and size, and in all respects, equal to or better than that specified.
13. Top chords must be sheathed or purlins provided at spacing indicated on design.
14. Bottom chords require lateral bracing at 10 ft. spacing, or less, if no ceiling is installed, unless otherwise noted.
15. Connections not shown are the responsibility of others.
16. Do not cut or alter truss member or plate without prior approval of an engineer.
17. Install and load vertically unless indicated otherwise.
18. Use of green or treated lumber may pose unacceptable environmental, health or performance risks. Consult with project engineer before use.
19. Review all portions of this design (front, back, words and pictures) before use. Reviewing pictures alone is not sufficient.
20. Design assumes manufacture in accordance with ANSI/TP1 1 Quality Criteria.
21. The design does not take into account any dynamic or other loads other than those expressly stated.

BM1 Kerto-S LVL 1.750" X 14.000" 2-Ply - PASSED

Level: Level



Member Information

Type:	Girder
Plies:	2
Moisture Condition:	Dry
Deflection LL:	360
Deflection TL:	240
Importance:	Normal
Temperature:	Temp <= 100°F

Application:	Floor
Design Method:	ASD
Building Code:	IBC 2012
Load Sharing:	No
Deck:	Not Checked

Reactions UNPATTERNED lb (Uplift)

Brg	Live	Dead	Snow	Wind	Const
1	2701	984	0	0	0
2	2701	984	0	0	0

Bearings

Bearing	Length	Cap. React	D/L lb	Total	Ld. Case	Ld. Comb.
1 - SPF	3.500"	71%	984 / 2701	3685	L	D+L
2 - SPF	3.500"	71%	984 / 2701	3685	L	D+L

Analysis Results

Analysis	Actual	Location	Allowed	Capacity	Comb.	Case
Moment	13676 ft-lb	7'10 1/2"	26999 ft-lb	0.507 (51%)	D+L	L
Unbraced	13676 ft-lb	7'10 1/2"	13717 ft-lb	0.997 (100%)	D+L	L
Shear	3565 lb	1'4 3/4"	10453 lb	0.341 (34%)	D+L	L
LL Defl inch	0.287 (L/639)	7'10 9/16"	0.510 (L/360)	0.560 (56%)	L	L
TL Defl inch	0.392 (L/468)	7'10 9/16"	0.765 (L/240)	0.510 (51%)	D+L	L

Design Notes

- 1 Fasten all plies using 3 rows of 10d Box nails (.128x3") at 12" o.c. Maximum end distance not to exceed 6".
- 2 Refer to last page of calculations for fasteners required for specified loads.
- 3 Girders are designed to be supported on the bottom edge only.
- 4 Top must be laterally braced at a maximum of 7'4 7/8" o.c.
- 5 Bottom braced at bearings.
- 6 Lateral slenderness ratio based on single ply width.

ID	Load Type	Location	Trib Width	Side	Dead 0.9	Live 1	Snow 1.15	Wind 1.6	Const. 1.25	Comments
1	Uniform			Near Face	114 PLF	343 PLF	0 PLF	0 PLF	0 PLF	F4
	Self Weight				11 PLF					

Notes

Calculated Structured Designs is responsible only of the structural adequacy of this component based on the design criteria and loadings shown. It is the responsibility of the customer and/or the contractor to ensure the component suitability of the intended application, and to verify the dimensions and loads.

Lumber

1. Dry service conditions, unless noted otherwise
2. LVL not to be treated with fire retardant or corrosive

chemicals

Handling & Installation

1. LVL beams must not be cut or drilled
2. Refer to manufacturer's product information regarding installation requirements, multi-ply fastening details, beam strength values, and code approvals
3. Damaged Beams must not be used
4. Design assumes top edge is laterally restrained
5. Provide lateral support at bearing points to avoid lateral displacement and rotation

6. For flat roofs provide proper drainage to prevent ponding

This design is valid until 12/11/2021

Manufacturer Info

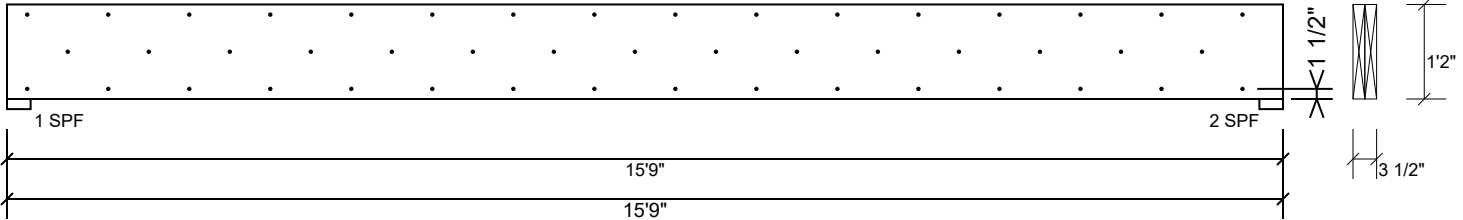
Metsä Wood
301 Merritt 7 Building, 2nd Floor
Norwalk, CT 06851
(800) 622-5850
www.metsawood.com/us
ICC-ES: ESR-3633

Comtech, Inc.
1001 S. Reilly Road, Suite #639
Fayetteville, NC
USA
28314
910-864-TRUS



BM1 Kerto-S LVL 1.750" X 14.000" 2-Ply - PASSED

Level: Level


Multi-Ply Analysis

Fasten all plies using 3 rows of 10d Box nails (.128x3") at 12" o.c.. Maximum end distance not to exceed 6"

Capacity	93.1 %
Load	228.5 PLF
Yield Limit per Foot	245.6 PLF
Yield Limit per Fastener	81.9 lb.
Yield Mode	IV
Edge Distance	1 1/2"
Min. End Distance	3"
Load Combination	D+L
Duration Factor	1.00

Notes

Calculated Structured Designs is responsible only of the structural adequacy of this component based on the design criteria and loadings shown. It is the responsibility of the customer and/or the contractor to ensure the component suitability of the intended application, and to verify the dimensions and loads.

Lumber

1. Dry service conditions, unless noted otherwise
2. LVL not to be treated with fire retardant or corrosive chemicals

Handling & Installation

1. LVL beams must not be cut or drilled
2. Refer to manufacturer's product information regarding installation requirements, multi-ply fastening details, beam strength values, and code approvals
3. Damaged Beams must not be used
4. Design assumes top edge is laterally restrained
5. Provide lateral support at bearing points to avoid lateral displacement and rotation

6. For flat roofs provide proper drainage to prevent ponding

This design is valid until 12/11/2021

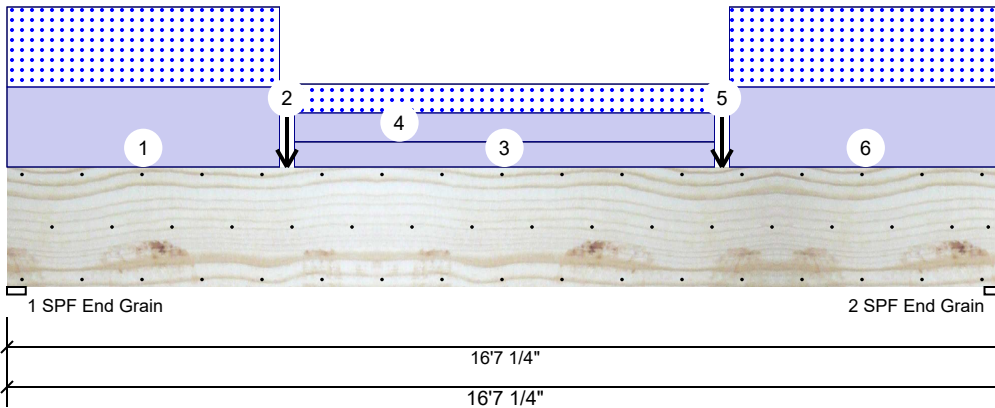
Manufacturer Info

Metsä Wood
 301 Merritt 7 Building, 2nd Floor
 Norwalk, CT 06851
 (800) 622-5850
www.metsawood.com/us
 ICC-ES: ESR-3633

Comtech, Inc.
 1001 S. Reilly Road, Suite #639
 Fayetteville, NC
 USA
 28314
 910-864-TRUS



GDH Kerto-S LVL 1.750" X 24.000" 2-Ply - PASSED Level: Level



Member Information

Type:	Girder	Application:	Floor
Plies:	2	Design Method:	ASD
Moisture Condition:	Dry	Building Code:	IBC 2012
Deflection LL:	480	Load Sharing:	No
Deflection TL:	360	Deck:	Not Checked
Importance:	Normal		
Temperature:	Temp <= 100°F		

Reactions UNPATTERNED lb (Uplift)

Brg	Live	Dead	Snow	Wind	Const
1	0	5660	5085	0	0
2	0	5646	5072	0	0

Bearings

Bearing	Length	Cap. React	D/L lb	Total	Ld. Case	Ld. Comb.
1 - SPF End Grain	3.750"	94%	5660 / 5085	10745	L	D+S
2 - SPF End Grain	3.750"	94%	5646 / 5072	10718	L	D+S

Analysis Results

Analysis	Actual	Location	Allowed	Capacity	Comb.	Case
Moment	41877 ft-lb	8'3 7/8"	84163 ft-lb	0.498 (50%)	D+S	L
Unbraced	41877 ft-lb	8'3 7/8"	41979 ft-lb	0.998 (100%)	D+S	L
Shear	9001 lb	2'2 7/8"	20608 lb	0.437 (44%)	D+S	L
LL Defl inch	0.146 (L/1324)	8'3 11/16"	0.403 (L/480)	0.360 (36%)	S	L
TL Defl inch	0.315 (L/615)	8'3 11/16"	0.538 (L/360)	0.590 (59%)	D+S	L

Design Notes

- 1 Fasten all plies using 3 rows of 10d Box nails (.128x3") at 12" o.c. Maximum end distance not to exceed 6".
- 2 Refer to last page of calculations for fasteners required for specified loads.
- 3 Girders are designed to be supported on the bottom edge only.
- 4 Top loads must be supported equally by all plies.
- 5 Top must be laterally braced at a maximum of 4'1 7/8" o.c.
- 6 Bottom braced at bearings.
- 7 Lateral slenderness ratio based on single ply width.

ID	Load Type	Location	Trib Width	Side	Dead 0.9	Live 1	Snow 1.15	Wind 1.6	Const. 1.25	Comments
1	Part. Uniform	0-0-0 to 4-6-8		Top	380 PLF	0 PLF	380 PLF	0 PLF	0 PLF	C2
2	Point	4-8-0		Top	2873 lb	0 lb	2873 lb	0 lb	0 lb	C3
3	Part. Uniform	4-9-8 to 11-9-8		Top	120 PLF	0 PLF	0 PLF	0 PLF	0 PLF	WALL
4	Part. Uniform	4-9-8 to 11-9-8		Top	137 PLF	0 PLF	137 PLF	0 PLF	0 PLF	C4
5	Point	11-11-0		Top	2873 lb	0 lb	2873 lb	0 lb	0 lb	C3
6	Part. Uniform	12-0-8 to 16-7-0		Top	380 PLF	0 PLF	380 PLF	0 PLF	0 PLF	C2
	Self Weight				19 PLF					

Notes

Calculated Structured Designs is responsible only of the structural adequacy of this component based on the design criteria and loadings shown. It is the responsibility of the customer and/or the contractor to ensure the component suitability of the intended application, and to verify the dimensions and loads.

Lumber

1. Dry service conditions, unless noted otherwise
2. LVL not to be treated with fire retardant or corrosive chemicals

Handling & Installation

1. LVL beams must not be cut or drilled
2. Refer to manufacturer's product information regarding installation requirements, multi-ply fastening details, beam strength values, and code approvals
3. Damaged Beams must not be used
4. Design assumes top edge is laterally restrained
5. Provide lateral support at bearing points to avoid lateral displacement and rotation

6. For flat roofs provide proper drainage to prevent ponding

Manufacturer Info

Metsä Wood
 301 Merritt 7 Building, 2nd Floor
 Norwalk, CT 06851
 (800) 622-5850
 www.metsawood.com/us
 ICC-ES: ESR-3633

Comtech, Inc.
 1001 S. Reilly Road, Suite #639
 Fayetteville, NC
 USA
 28314
 910-864-TRUS

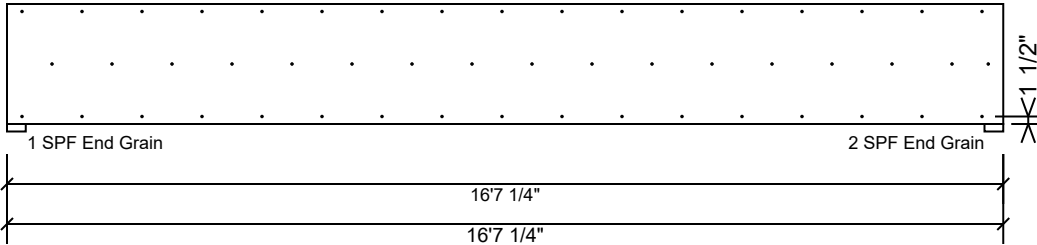


This design is valid until 12/11/2021



GDH Kerto-S LVL 1.750" X 24.000" 2-Ply - PASSED

Level: Level


Multi-Ply Analysis

Fasten all plies using 3 rows of 10d Box nails (.128x3") at 12" o.c.. Maximum end distance not to exceed 6"

Capacity	0.0 %
Load	0.0 PLF
Yield Limit per Foot	245.6 PLF
Yield Limit per Fastener	81.9 lb.
Yield Mode	IV
Edge Distance	1 1/2"
Min. End Distance	3"
Load Combination	
Duration Factor	1.00

Notes

Calculated Structured Designs is responsible only of the structural adequacy of this component based on the design criteria and loadings shown. It is the responsibility of the customer and/or the contractor to ensure the component suitability of the intended application, and to verify the dimensions and loads.

Lumber

1. Dry service conditions, unless noted otherwise
2. LVL not to be treated with fire retardant or corrosive

chemicals

Handling & Installation

1. LVL beams must not be cut or drilled
2. Refer to manufacturer's product information regarding installation requirements, multi-ply fastening details, beam strength values, and code approvals
3. Damaged Beams must not be used
4. Design assumes top edge is laterally restrained
5. Provide lateral support at bearing points to avoid lateral displacement and rotation

6. For flat roofs provide proper drainage to prevent ponding

This design is valid until 12/11/2021

Manufacturer Info

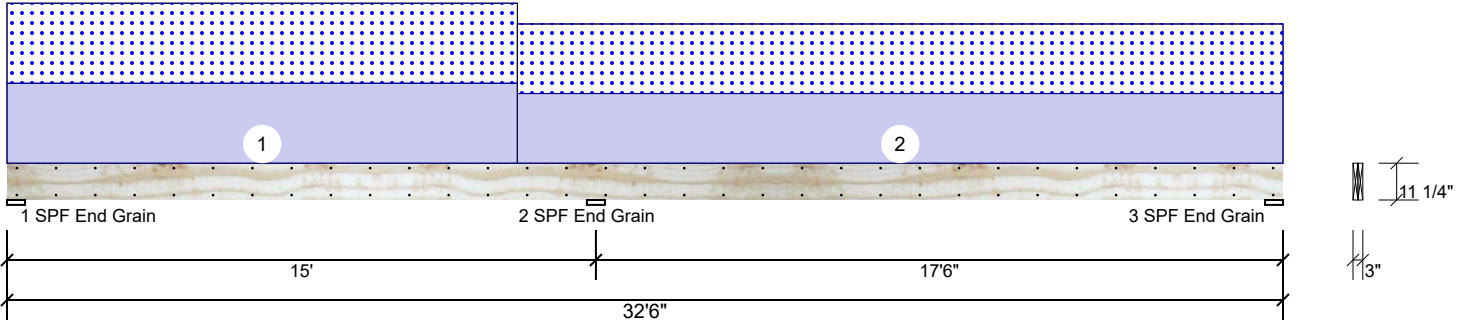
Metsä Wood
 301 Merritt 7 Building, 2nd Floor
 Norwalk, CT 06851
 (800) 622-5850
www.metsawood.com/us
 ICC-ES: ESR-3633

Comtech, Inc.
 1001 S. Reilly Road, Suite #639
 Fayetteville, NC
 USA
 28314
 910-864-TRUS



Front Porch Beams SP #2 2.000" X 12.000" 2-Ply - PASSED

Level: Level



Member Information

Type:	Girder
Plies:	2
Moisture Condition:	Dry
Deflection LL:	480
Deflection TL:	360
Importance:	Normal
Temperature:	Temp <= 100°F

Application:	Floor
Design Method:	ASD
Building Code:	IBC 2012
Load Sharing:	No
Deck:	Not Checked

Reactions UNPATTERNED lb (Uplift)

Brg	Live	Dead	Snow	Wind	Const
1	0	437	437	0	0
2	0	1403	1403	0	0
3	0	467	467	0	0

Bearings

Bearing	Length	Cap.	React D/L	lb	Total	Ld. Case	Ld. Comb.
1 - SPF End Grain	5.500"	10%	437 / 482	919	L_	D+S	
2 - SPF End Grain	5.500"	30%	1403 / 1403	2807	LL	D+S	
3 - SPF End Grain	5.500"	10%	467 / 495	962	_L	D+S	

Analysis Results

Analysis	Actual	Location	Allowed	Capacity	Comb.	Case
Neg Moment	-4518 ft-lb	15'	4548 ft-lb	0.993 (99%)	D+S	LL
Unbraced	-4518 ft-lb	15'	4519 ft-lb	1.000 (100%)	D+S	LL
Pos Moment	3085 ft-lb	25'3 13/16"	4548 ft-lb	0.678 (68%)	D+S	_L
Unbraced	3085 ft-lb	25'3 13/16"	3089 ft-lb	0.998 (100%)	D+S	_L
Shear	1285 lb	15'11 1/4"	4528 lb	0.284 (28%)	D+S	LL
LL Defl inch	0.147 (L/1395)	24'4 5/16"	0.428 (L/480)	0.340 (34%)	S	_L
TL Defl inch	0.266 (L/772)	24'6 5/16"	0.570 (L/360)	0.470 (47%)	D+S	_L

Design Notes

- 1 Fasten all plies using 2 rows of 10d Box nails (.128x3") at 12" o.c. Maximum end distance not to exceed 6".
- 2 Refer to last page of calculations for fasteners required for specified loads.
- 3 Girders are designed to be supported on the bottom edge only.
- 4 Top loads must be supported equally by all plies.
- 5 Top must be laterally braced at a maximum of 11'9" o.c.
- 6 Bottom must be laterally braced at a maximum of 11 1/4" o.c.
- 7 Lateral slenderness ratio based on single ply width.

ID	Load Type	Location	Trib Width	Side	Dead 0.9	Live 1	Snow 1.15	Wind 1.6	Const. 1.25	Comments
1	Part. Uniform	0-0-0 to 13-0-0		Top	77 PLF	0 PLF	77 PLF	0 PLF	0 PLF	P2
2	Part. Uniform	13-0-0 to 32-6-0		Top	67 PLF	0 PLF	67 PLF	0 PLF	0 PLF	P3

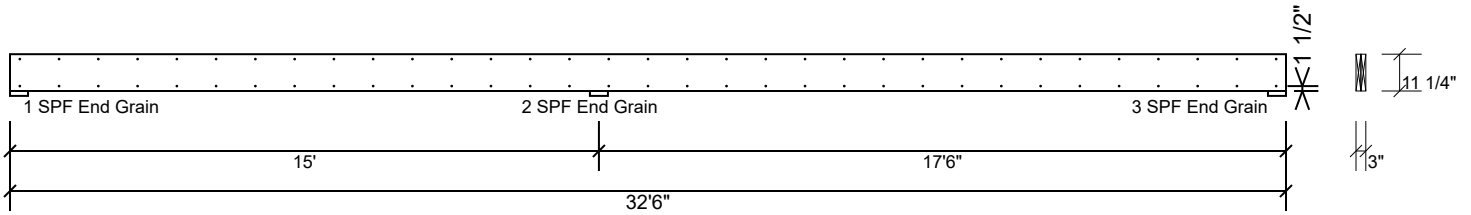
Manufacturer Info	Comtech, Inc. 1001 S. Reilly Road, Suite #639 Fayetteville, NC USA 28314 910-864-TRUS

This design is valid until 12/11/2021



Front Porch Beams SP #2 2.000" X 12.000" 2-Ply - PASSED

Level: Level


Multi-Ply Analysis

Fasten all plies using 2 rows of 10d Box nails (.128x3") at 12" o.c.. Maximum end distance not to exceed 6"

Capacity	0.0 %
Load	0.0 PLF
Yield Limit per Foot	202.6 PLF
Yield Limit per Fastener	101.3 lb.
Yield Mode	IV
Edge Distance	1 1/2"
Min. End Distance	3"
Load Combination	
Duration Factor	1.00

Manufacturer Info

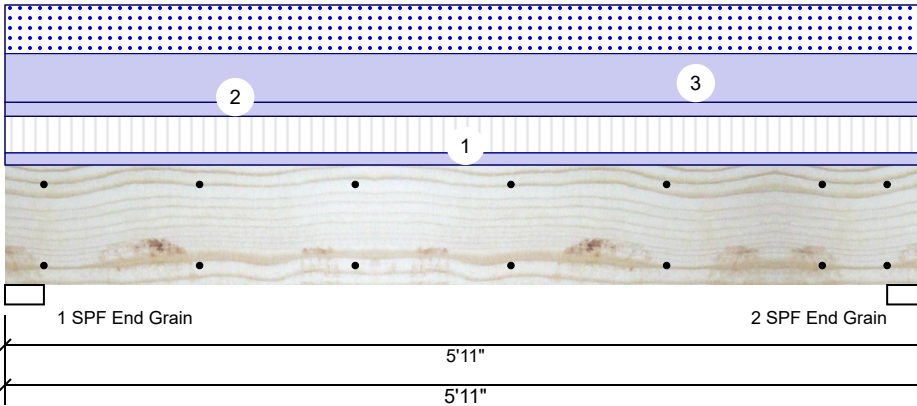
 Comtech, Inc.
 1001 S. Reilly Road, Suite #639
 Fayetteville, NC
 USA
 28314
 910-864-TRUS


This design is valid until 12/11/2021



BM2 Kerto-S LVL 1.750" X 9.250" 2-Ply - PASSED

Level: Level



Member Information

Type:	Girder	Application:	Floor
Plies:	2	Design Method:	ASD
Moisture Condition:	Dry	Building Code:	IBC 2012
Deflection LL:	480	Load Sharing:	No
Deflection TL:	360	Deck:	Not Checked
Importance:	Normal		
Temperature:	Temp <= 100°F		

Reactions UNPATTERNED lb (Uplift)

Brg	Live	Dead	Snow	Wind	Const
1	926	1915	1231	0	0
2	926	1915	1231	0	0

Bearings

Bearing	Length	Cap.	React D/L	Ib	Total	Ld. Case	Ld. Comb.
1 - SPF End Grain	3.000"	39%	1915 / 1617	3532	L	D+0.75(L+S)	
2 - SPF End Grain	3.000"	39%	1915 / 1617	3532	L	D+0.75(L+S)	

Analysis Results

Analysis	Actual	Location	Allowed	Capacity	Comb.	Case
Moment	4583 ft-lb	2'11 1/2"	14423 ft-lb	0.318 (32%)	D+0.75(L+S)	L
Unbraced	4583 ft-lb	2'11 1/2"	11027 ft-lb	0.416 (42%)	D+0.75(L+S)	L
Shear	2388 lb	4'11 1/2"	7943 lb	0.301 (30%)	D+0.75(L+S)	L
LL Defl inch	0.033 (L/2040)	2'11 1/2"	0.139 (L/480)	0.240 (24%)	0.75(L+S)	L
TL Defl inch	0.071 (L/934)	2'11 1/2"	0.185 (L/360)	0.390 (39%)	D+0.75(L+S)	L

Design Notes

- 1 Fasten all plies using 2 rows of 10d Box nails (.128x3") at 12" o.c. Maximum end distance not to exceed 6".
- 2 Refer to last page of calculations for fasteners required for specified loads.
- 3 Girders are designed to be supported on the bottom edge only.
- 4 Top loads must be supported equally by all plies.
- 5 Top braced at bearings.
- 6 Bottom braced at bearings.
- 7 Lateral slenderness ratio based on single ply width.

ID	Load Type	Location	Trib Width	Side	Dead 0.9	Live 1	Snow 1.15	Wind 1.6	Const. 1.25	Comments
1	Uniform			Top	104 PLF	313 PLF	0 PLF	0 PLF	0 PLF	
2	Uniform			Top	120 PLF	0 PLF	0 PLF	0 PLF	0 PLF	
3	Uniform			Top	416 PLF	0 PLF	416 PLF	0 PLF	0 PLF	
	Self Weight				7 PLF					

Notes

Calculated Structured Designs is responsible only of the structural adequacy of this component based on the design criteria and loadings shown. It is the responsibility of the customer and/or the contractor to ensure the component suitability of the intended application, and to verify the dimensions and loads.

Lumber

1. Dry service conditions, unless noted otherwise
2. LVL not to be treated with fire retardant or corrosive

chemicals

Handling & Installation

1. LVL beams must not be cut or drilled
2. Refer to manufacturer's product information regarding installation requirements, multi-ply fastening details, beam strength values, and code approvals
3. Damaged Beams must not be used
4. Design assumes top edge is laterally restrained
5. Provide lateral support at bearing points to avoid lateral displacement and rotation

6. For flat roofs provide proper drainage to prevent ponding

This design is valid until 12/11/2021

Manufacturer Info

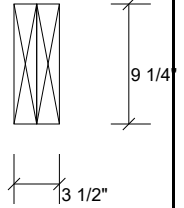
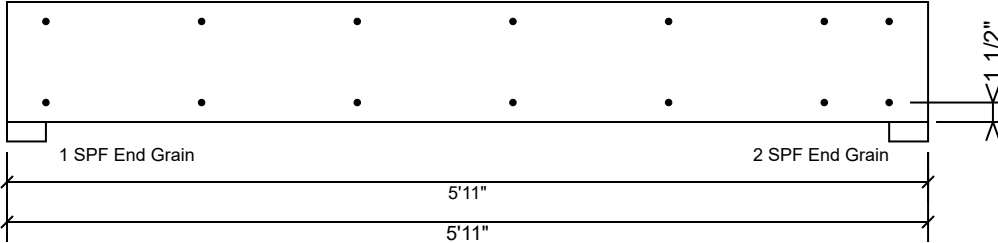
Metsä Wood
 301 Merritt 7 Building, 2nd Floor
 Norwalk, CT 06851
 (800) 622-5850
 www.metsawood.com/us
 ICC-ES: ESR-3633

Comtech, Inc.
 1001 S. Reilly Road, Suite #639
 Fayetteville, NC
 USA
 28314
 910-864-TRUS



BM2 Kerto-S LVL 1.750" X 9.250" 2-Ply - PASSED

Level: Level


Multi-Ply Analysis

Fasten all plies using 2 rows of 10d Box nails (.128x3") at 12" o.c.. Maximum end distance not to exceed 6"

Capacity	0.0 %
Load	0.0 PLF
Yield Limit per Foot	163.7 PLF
Yield Limit per Fastener	81.9 lb.
Yield Mode	IV
Edge Distance	1 1/2"
Min. End Distance	3"
Load Combination	
Duration Factor	1.00

Notes

Calculated Structured Designs is responsible only of the structural adequacy of this component based on the design criteria and loadings shown. It is the responsibility of the customer and/or the contractor to ensure the component suitability of the intended application, and to verify the dimensions and loads.

Lumber

1. Dry service conditions, unless noted otherwise
2. LVL not to be treated with fire retardant or corrosive

chemicals

Handling & Installation

1. LVL beams must not be cut or drilled
2. Refer to manufacturer's product information regarding installation requirements, multi-ply fastening details, beam strength values, and code approvals
3. Damaged Beams must not be used
4. Design assumes top edge is laterally restrained
5. Provide lateral support at bearing points to avoid lateral displacement and rotation

6. For flat roofs provide proper drainage to prevent ponding

This design is valid until 12/11/2021

Manufacturer Info

Metsä Wood
 301 Merritt 7 Building, 2nd Floor
 Norwalk, CT 06851
 (800) 622-5850
www.metsawood.com/us
 ICC-ES: ESR-3633

Comtech, Inc.
 1001 S. Reilly Road, Suite #639
 Fayetteville, NC
 USA
 28314
 910-864-TRUS

