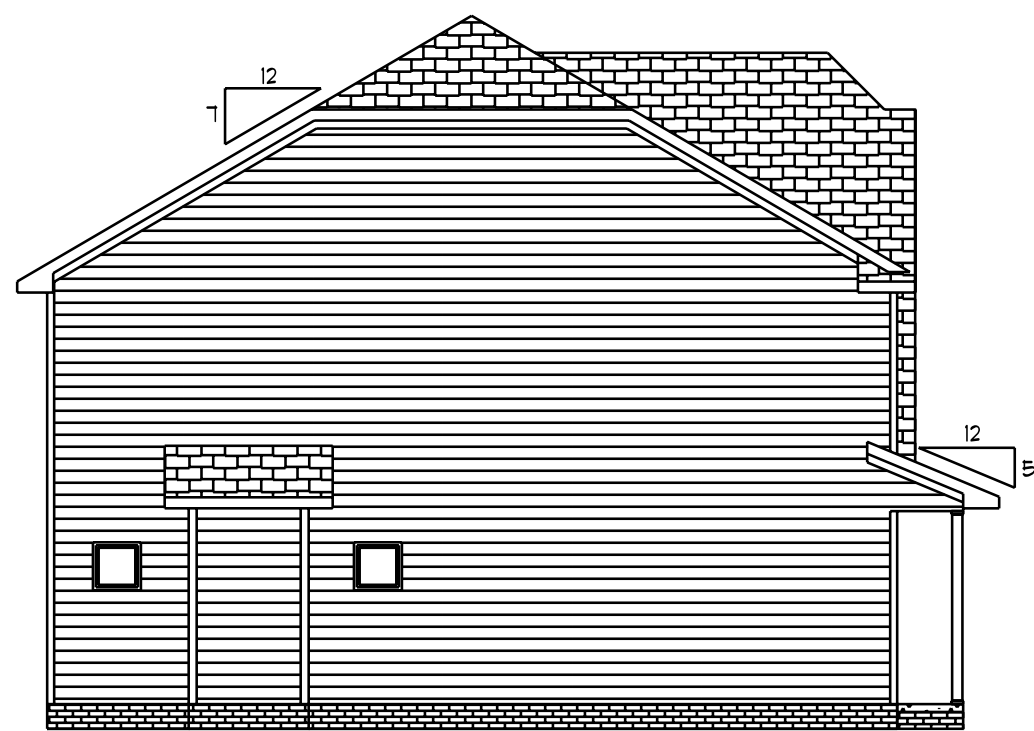
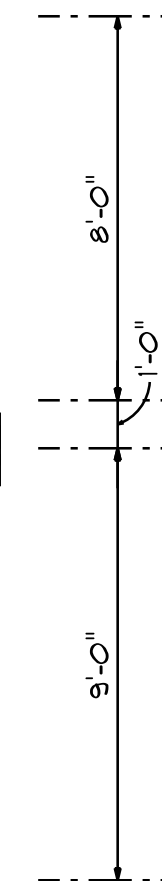
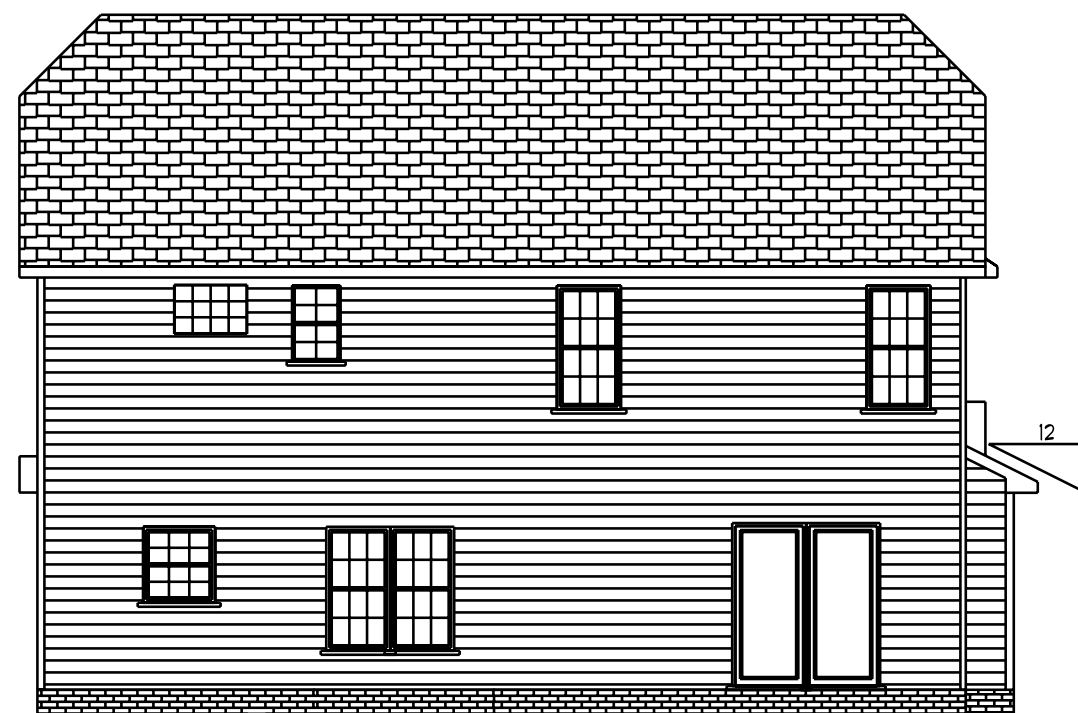




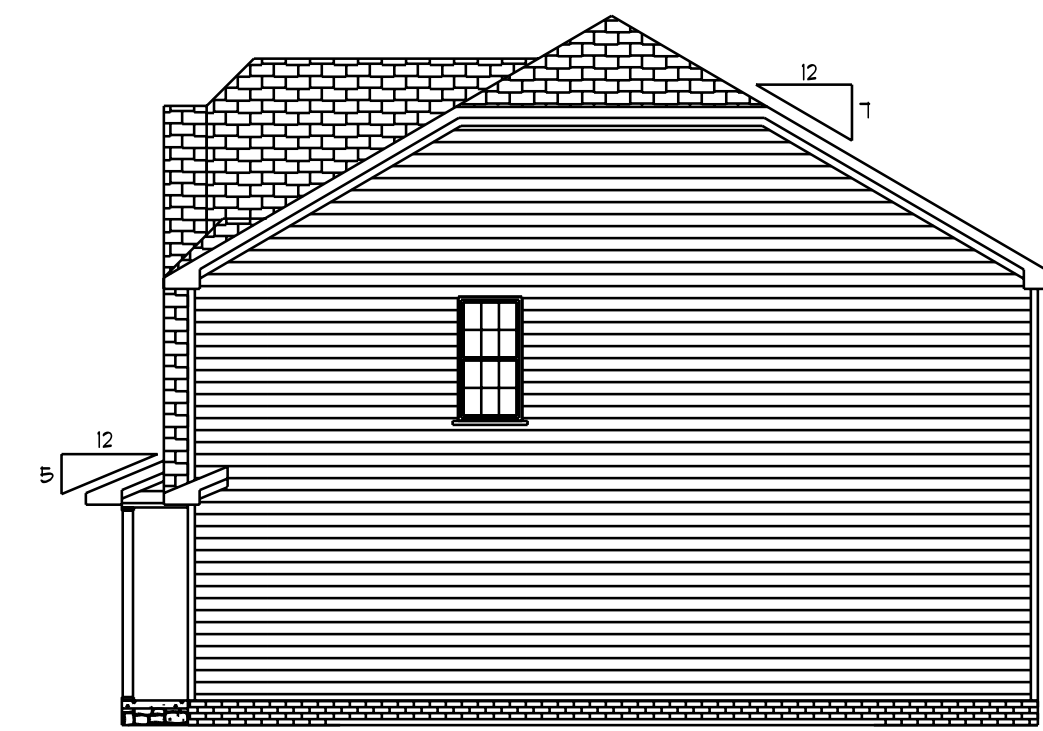
Front Elevation
Scale: 1/4" = 1'0"



Left Elevation
Scale: 1/4" = 1'0"



Rear Elevation
Scale: 1/4" = 1'0"



Right Elevation
Scale: 1/4" = 1'0"

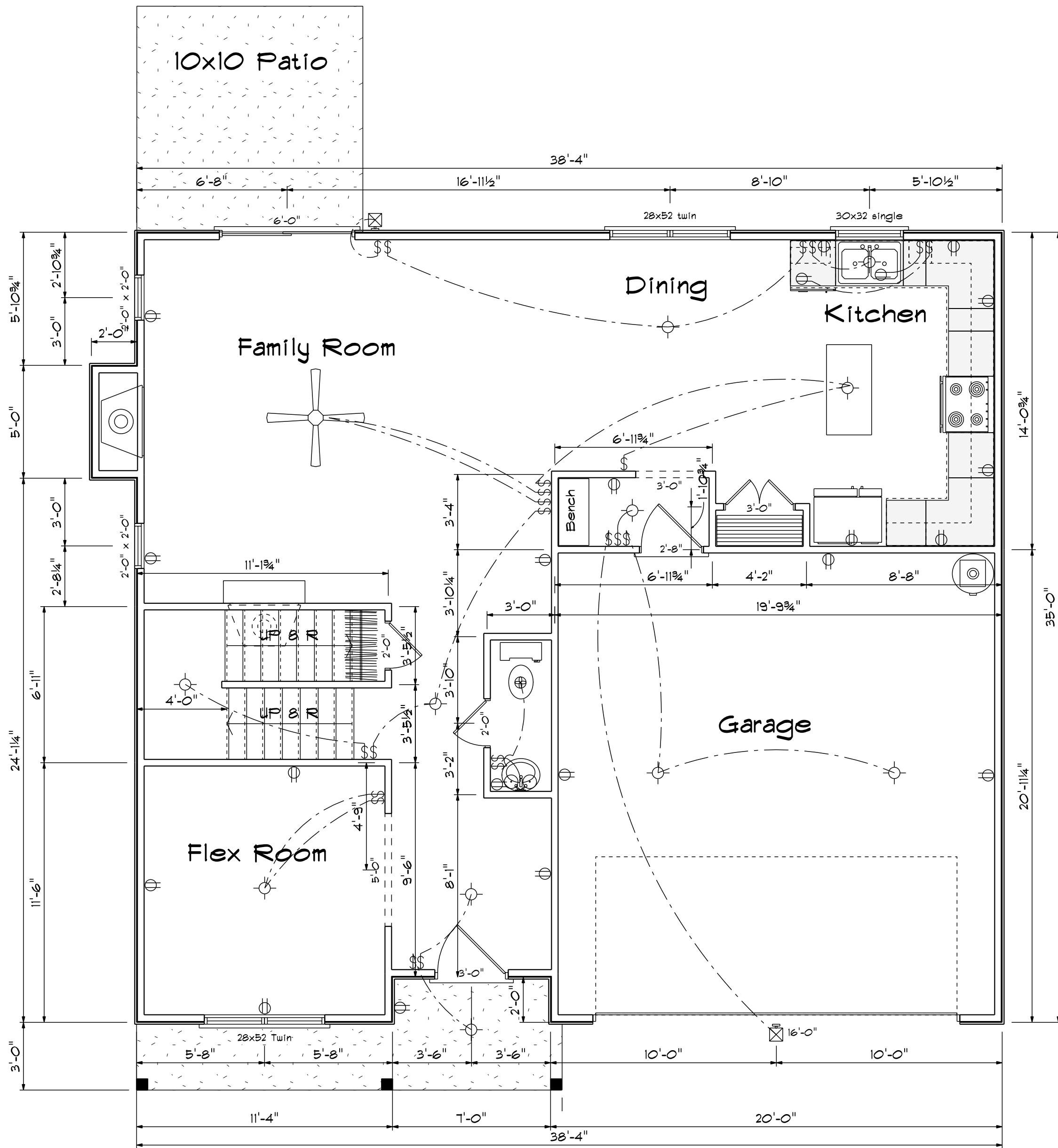
The Cypress

BBH-2052

SCALE: 1/4"
DRAWN BY
APPROVED

DATE: Tuesday, May 12, 2020
REVISED
DRAWING#

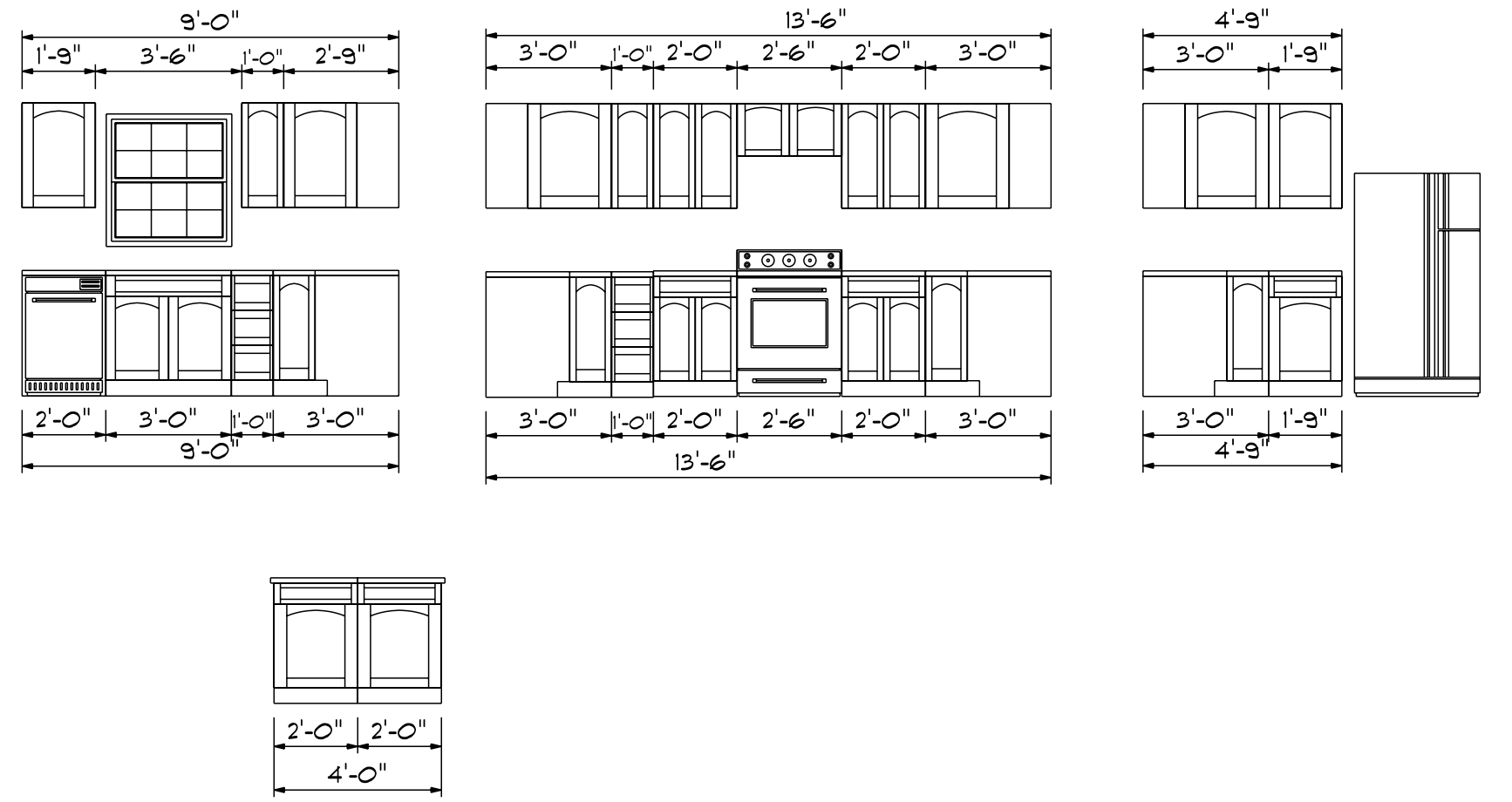
Base Designs
2727 Chimney Pt.
Linden, N.C. 28356
910-864-9310



First Floor Plan

Scale: 1/4" = 1'-0"

Kitchen Cabinets



FIRST FLOOR OPENING SCHEDULE			
PRODUCT CODE	SIZE	HINGE	COUNT
36X80 COLONIAL A	3'-0"	R	1
7X16 GARAGE DOOR	16'-0"	U	1
72X80 SLIDING FRENCH 2	6'-0"	NL	1
20 colonial	2'-0"	L	1
20 colonial	2'-0"	R	1
30 doublehung colonial	3'-0"	LR	1
32X80 COLONIAL A 1	2'-8"	R	1
24X24 CASEMENT 1	2'-0" x 2'-0"	N	2
28x52 Twin	5'-4" x 5'-2"	NA	1
28x52 twin	5'-4" x 5'-2"	NA	1
30x32 single	3'-0" x 3'-2"	N	1

Areas

First Floor	942
Second Floor	1270
=====	
Total Heated	2212
Garage	413
Porch	70

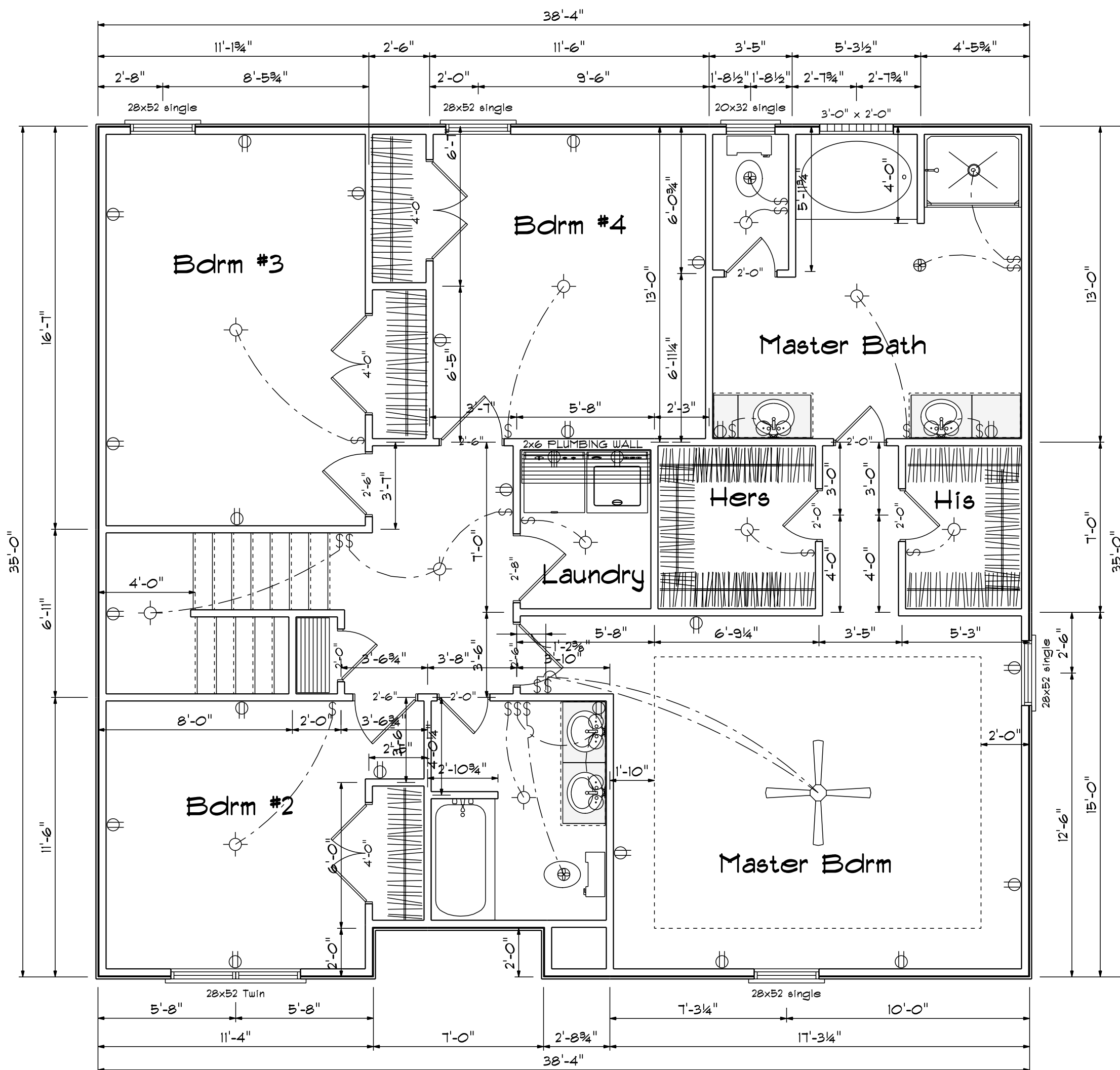
Base Designs
2121 Chimney Pt.
Linden, N.C. 28356
910-864-9310

DATE: Tuesday, May 12, 2020
REVISED
DRAWING#

SCALE: 1/4"
DRAWN BY
APPROVED

The Cypress

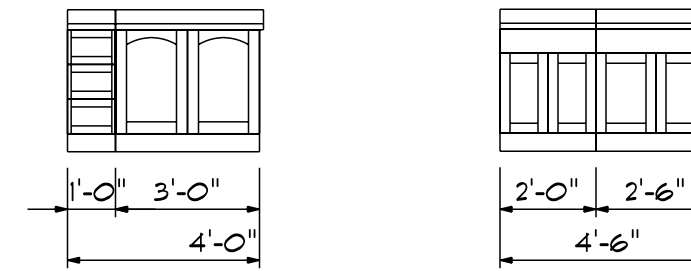
BBH-2052



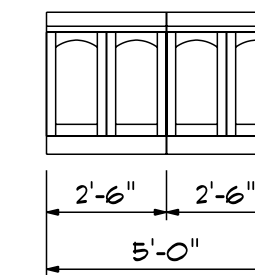
Second Floor Plan

Scale: 1/4" = 1'-0"

Master Bath Cabinets

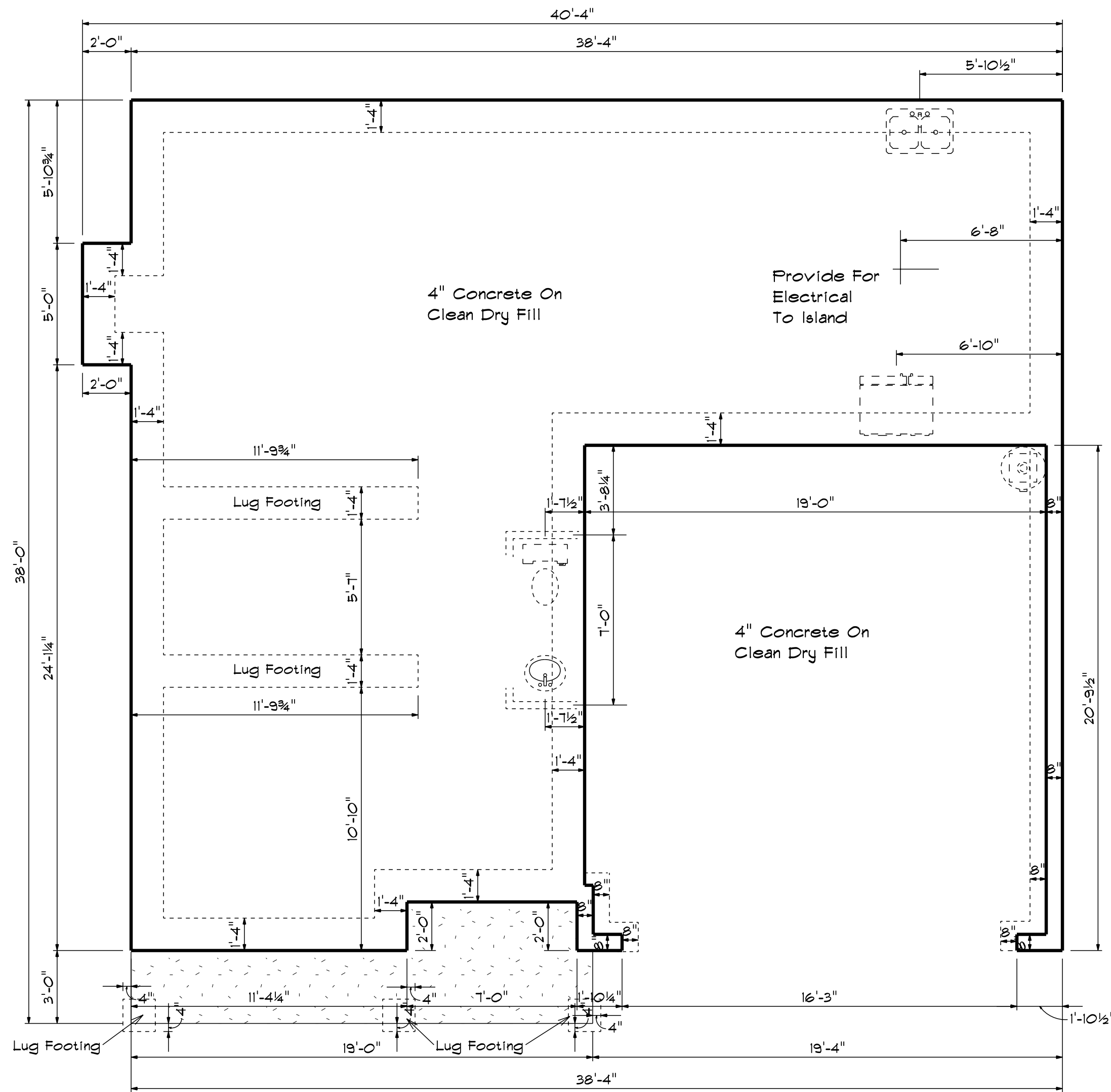


Hall Bath Cabinets



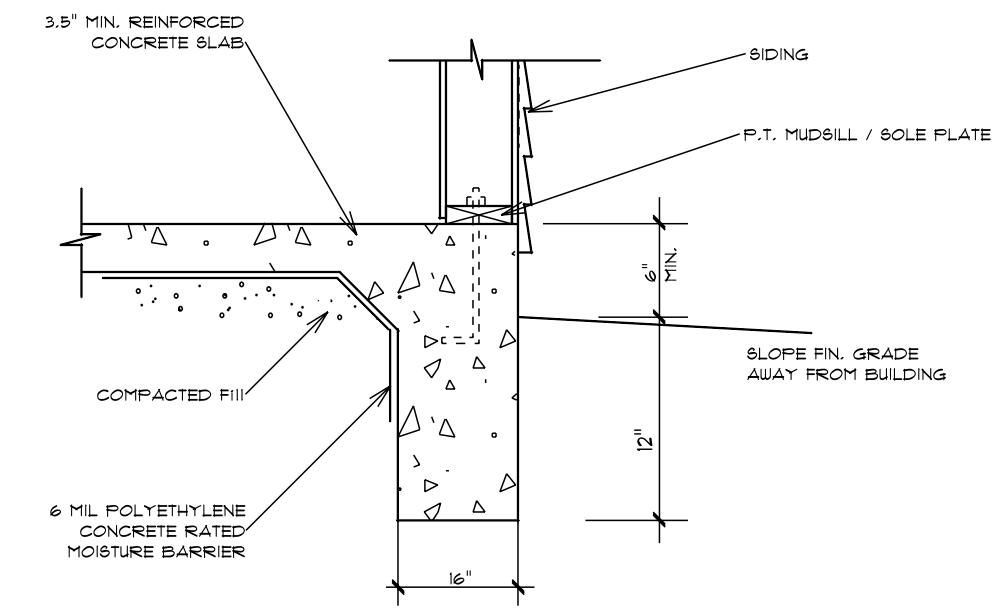
SECOND FLOOR OPENING SCHEDULE

PRODUCT CODE	SIZE	HINGE	COUNT
2-0 Door Unit	2'-0"	R	1
20 colonial	2'-0"	L	2
20 colonial	2'-0"	R	3
26 colonial	2'-6"	L	4
4-0 Doublehung Door Unit	4'-0"	LR	1
40 doublehung colonial	4'-0"	LR	2
32X80 COLONIAL A 1	2'-8"	R	1
20x32 single	2'-0" x 3'-2"	N	1
28x52 Twin	5'-4" x 5'-2"	NA	1
28x52 single	2'-8" x 5'-2"	N	4
6X6 GLASS BLOCK	3'-0" x 2'-0"	N	1

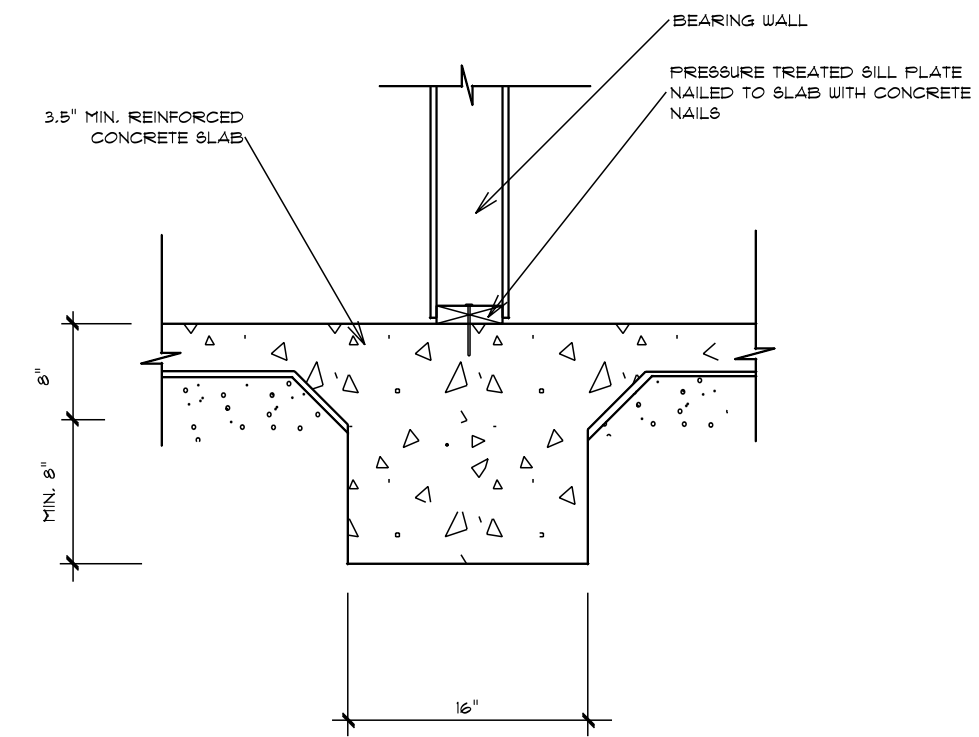


Foundation Plan

Scale: 1/4" = 1'-0"



TURN-DOWN FOOTING DETAIL



INTEGRAL SLAB FOOTING DETAIL AT BEARING WALL