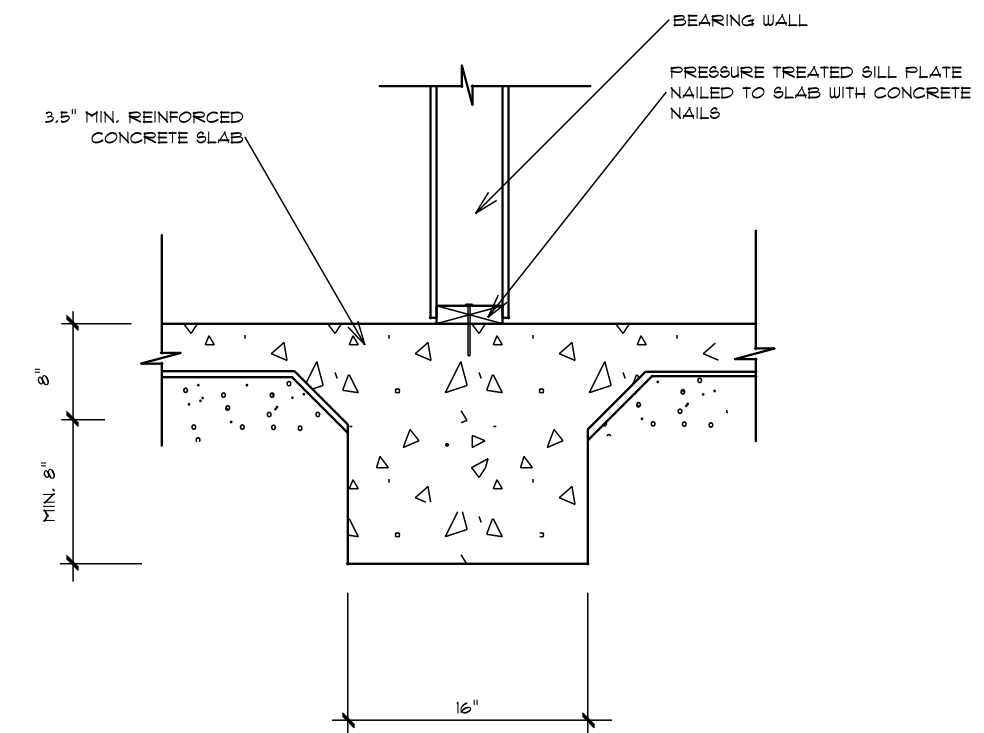
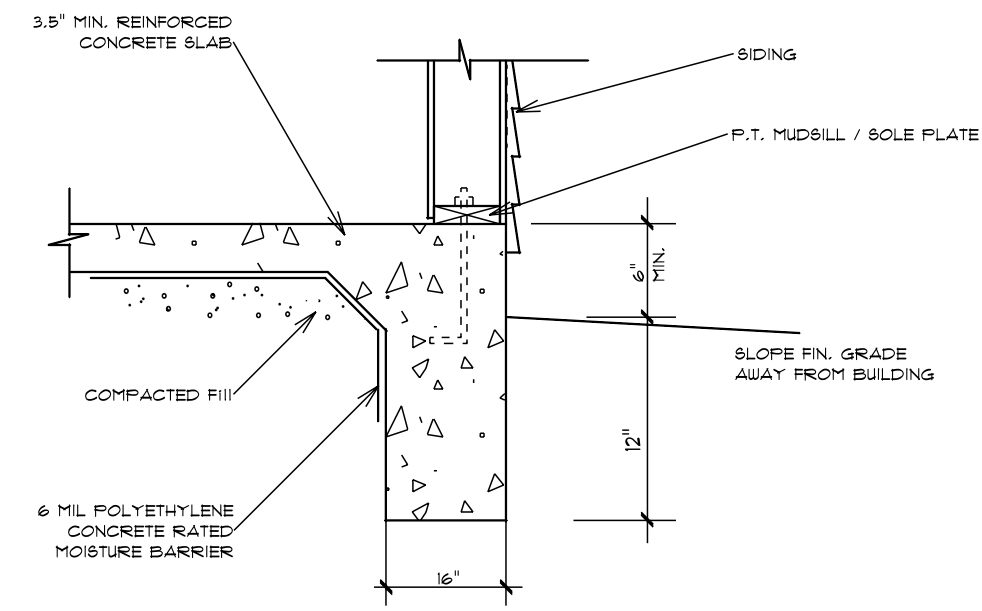


Foundation Plan

Scale: 1/4" = 1'-0"



BBH-2052	The Cypress	SCALE: 1/4"	DATE: Monday, November 23, 2020	Bas Designe
		DRAWN BY	REVISD	2121 Chimney Pt.
		APPROVED	DRAWING#	Linden, N.C. 28356
				910-864-9310