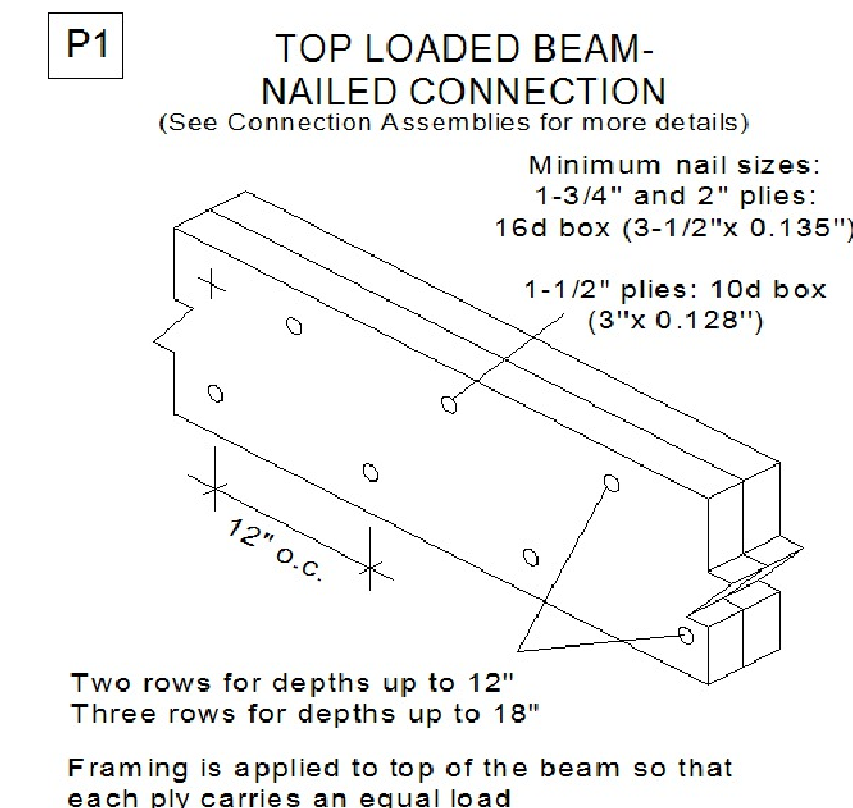


U. S. LUMBER

Important Notes WARNING: Failure to follow proper procedures for handling, storage and installation could result in unsatisfactory performance, unsafe structures and possible collapse.

These instructions are offered as a guide to good practice in the handling, storage and installation of LP® SolidStart® I-Joists, LP SolidStart LVL & LP SolidStart LSL beams. They are, however, solely general recommendations and, in some instances, other or additional precautions may be desirable. In all cases, the procedures used should be as specified by the architect/engineer responsible for the entire building.

- This is not intended as a manual for selecting products and assumes that components and details have been specified correctly.
- Consult the LP SolidStart I-Joist, LP SolidStart LVL & LP SolidStart LSL brochures or contact your LP SolidStart products distributor for assistance.
- All rim joists, blocking, connections and temporary bracing must be installed before erectors are allowed on the structure.
- No loads other than the weight of the erectors are to be imposed on the structure before it is permanently sheathed.
- After sheathing, do not overload joists with construction materials exceeding design loads.
- LP SolidStart I-Joists, LP SolidStart LVL & LP SolidStart LSL beams must be used under dry, covered and well ventilated interior conditions in which the equivalent moisture content in lumber will not exceed 16%.



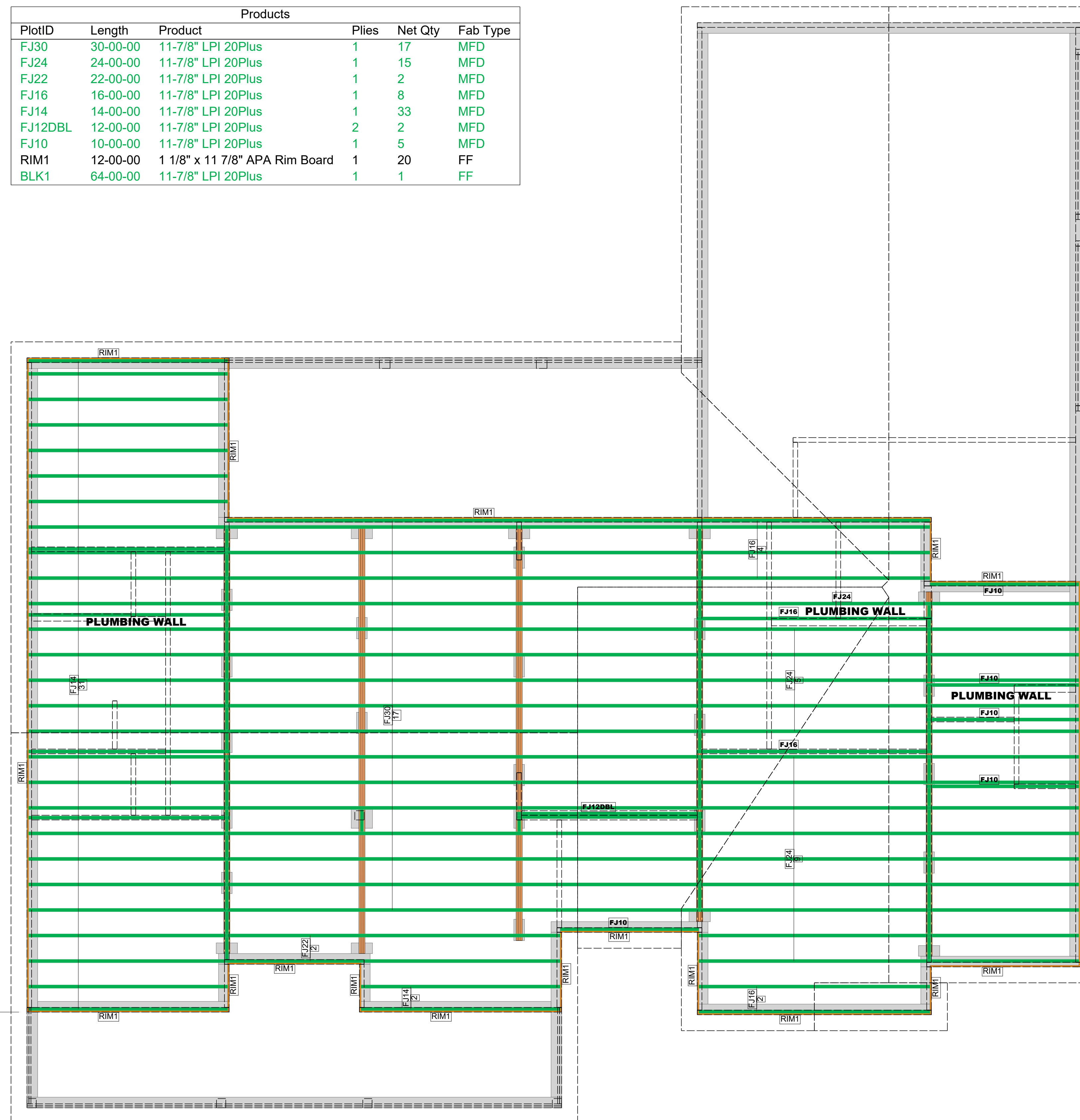
Customer Name:
BRAD CUMMINGS

Job Name:
BURGESS/SPRING HILL CHURCH RD.

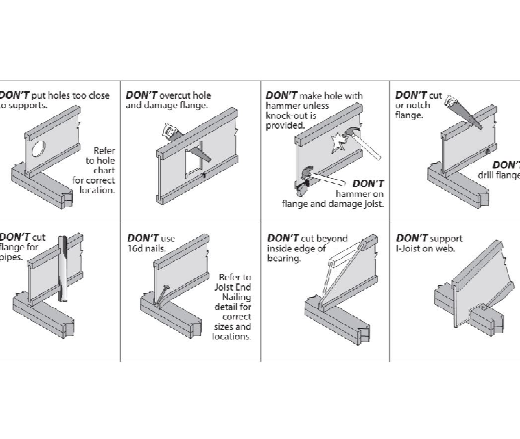
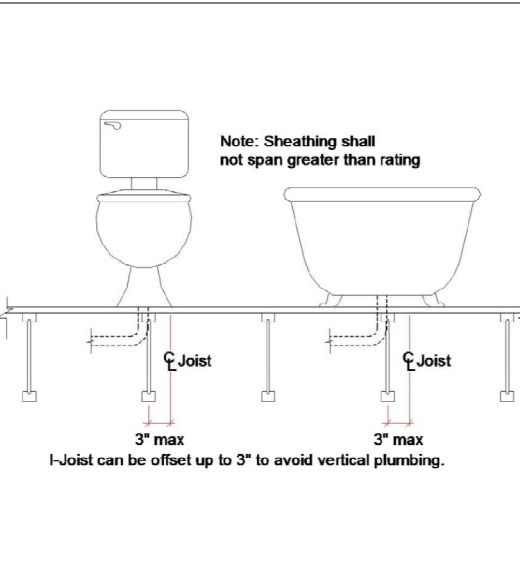
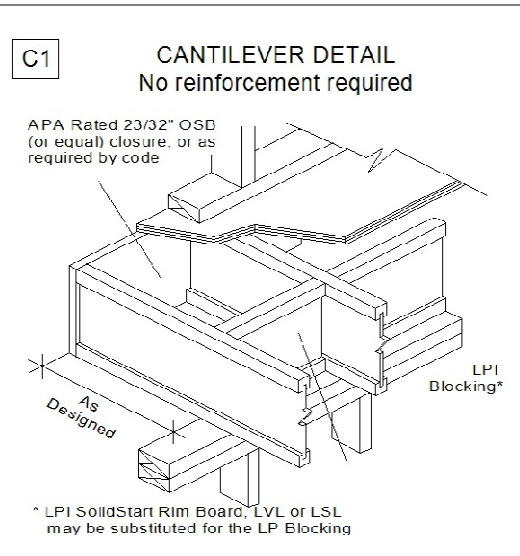
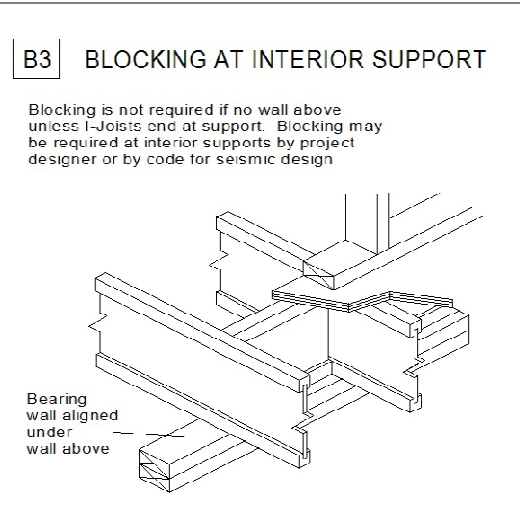
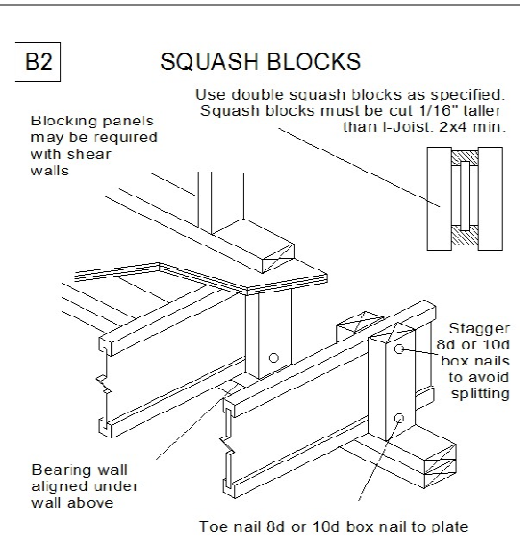
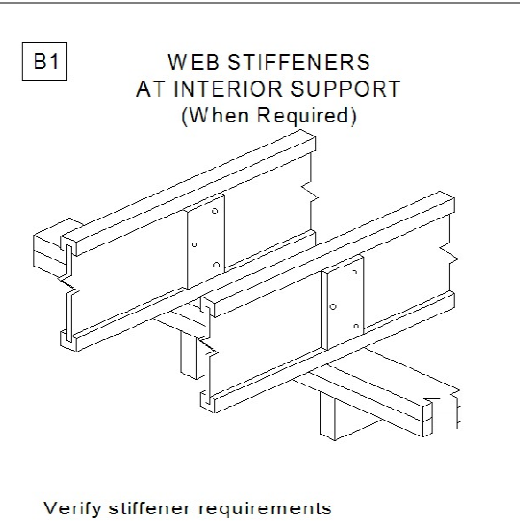
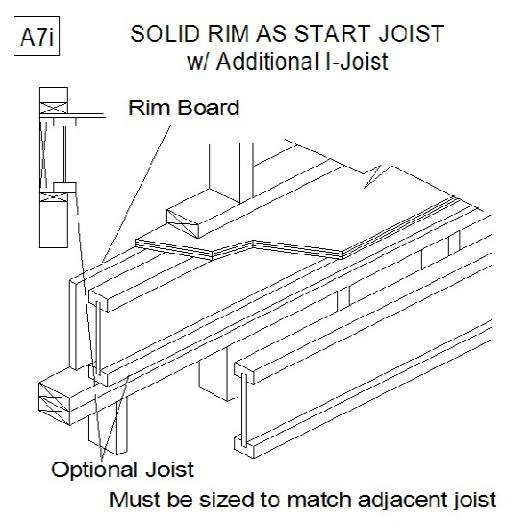
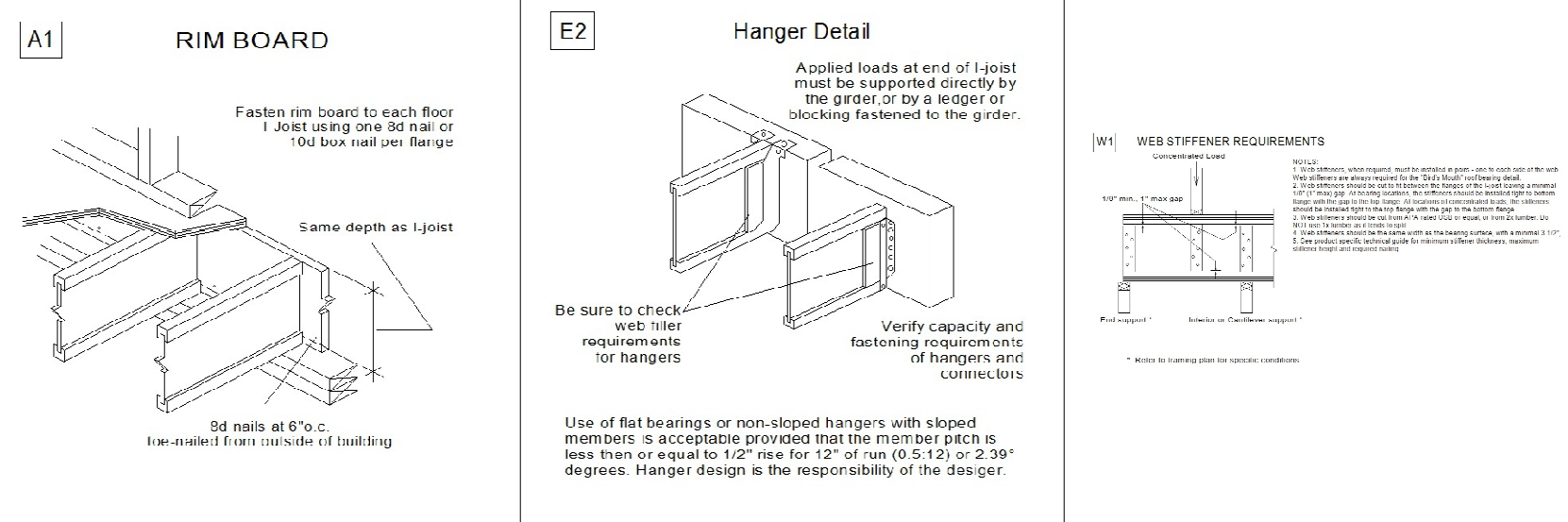
Designer:
Tony Huneycutt

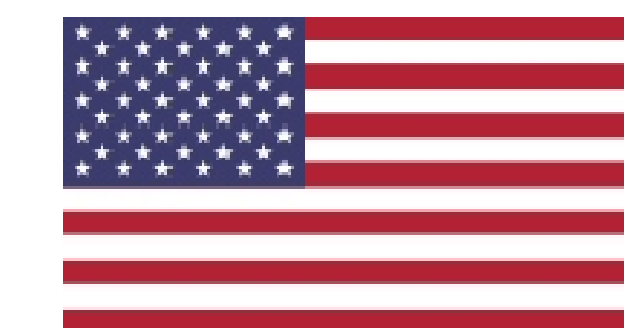
Salesman:
EDDIE BAUER

Scale: 1/4" = 1' Date: 10/13/20 1ST FLOOR



PlotID	Length	Product	Plies	Net Qty	Fab Type
FJ30	30-00-00	11-7/8" LPI 20Plus	1	17	MFD
FJ24	24-00-00	11-7/8" LPI 20Plus	1	15	MFD
FJ22	22-00-00	11-7/8" LPI 20Plus	1	2	MFD
FJ16	16-00-00	11-7/8" LPI 20Plus	1	8	MFD
FJ14	14-00-00	11-7/8" LPI 20Plus	1	33	MFD
FJ12DBL	12-00-00	11-7/8" LPI 20Plus	2	2	MFD
FJ10	10-00-00	11-7/8" LPI 20Plus	1	5	MFD
RIM1	12-00-00	1 1/8" x 11 7/8" APA Rim Board	1	20	FF
BLK1	64-00-00	11-7/8" LPI 20Plus	1	1	FF



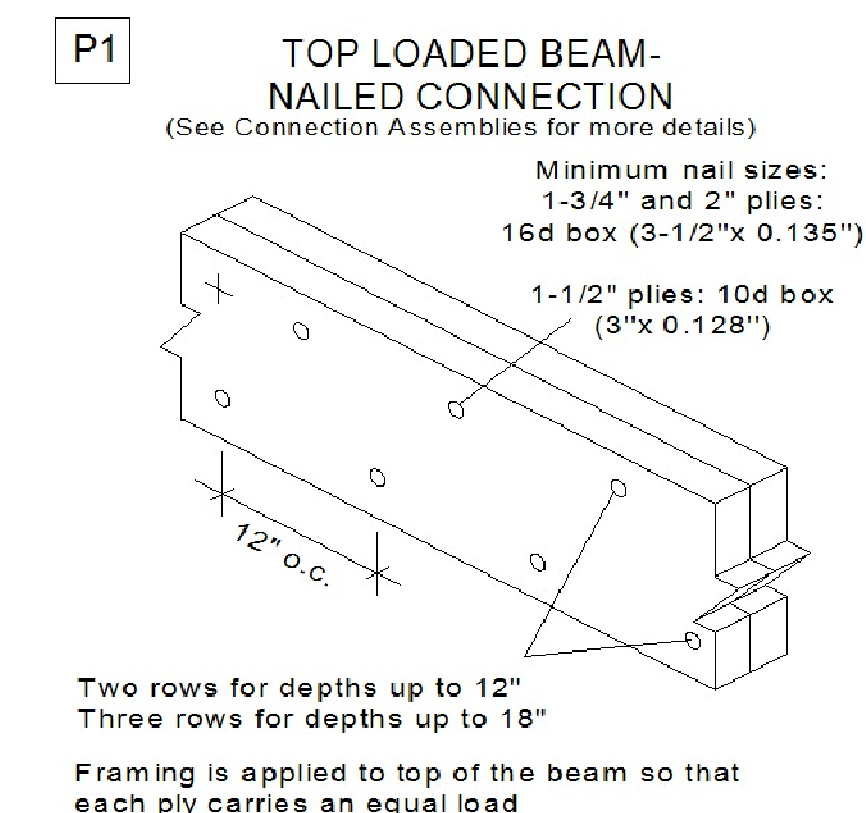


U. S. LUMBER

Important Notes WARNING: Failure to follow proper procedures for handling, storage and installation could result in unsatisfactory performance, unsafe structures and possible collapse.

These instructions are offered as a guide to good practice in the handling, storage and installation of LP® SolidStart® I-Joists, LP SolidStart LVL & LP SolidStart LSL beams. They are, however, solely general recommendations and, in some instances, other or additional precautions may be desirable. In all cases, the procedures used should be as specified by the architect/engineer responsible for the entire building.

- This is not intended as a manual for selecting products and assumes that components and details have been specified correctly.
- Consult the LP SolidStart I-Joist, LP SolidStart LVL & LP SolidStart LSL brochures or contact your LP SolidStart products distributor for assistance.
- All rim joists, blocking, connections and temporary bracing must be installed before erectors are allowed on the structure.
- No loads other than the weight of the erectors are to be imposed on the structure before it is permanently sheathed.
- After sheathing, do not overload joists with construction materials exceeding design loads.
- LP SolidStart I-Joists, LP SolidStart LVL & LP SolidStart LSL beams must be used under dry, covered and well ventilated interior conditions in which the equivalent moisture content in lumber will not exceed 16%.



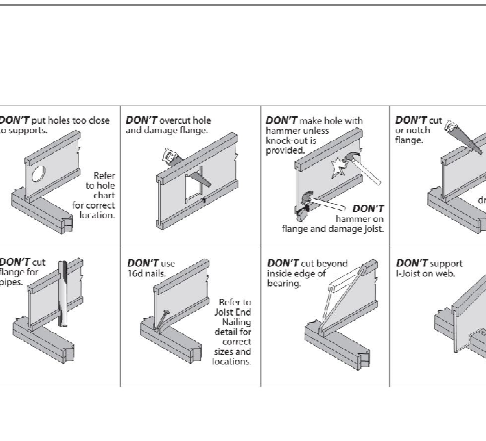
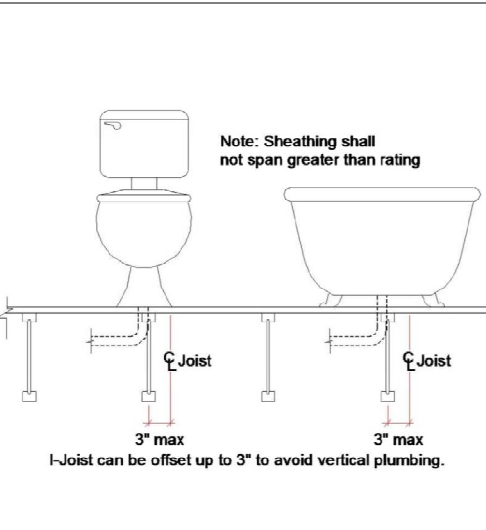
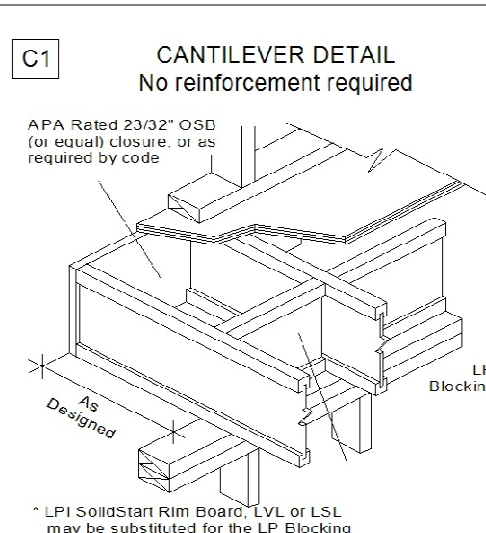
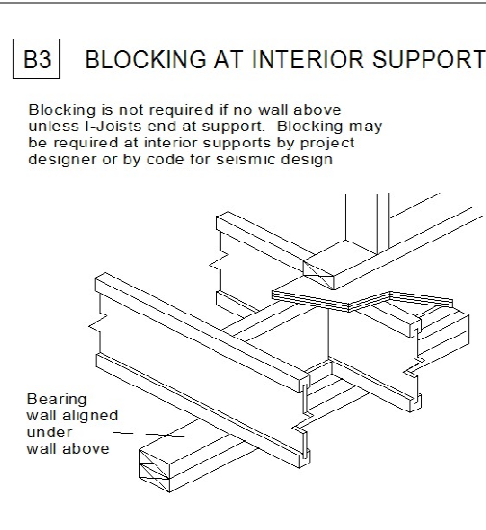
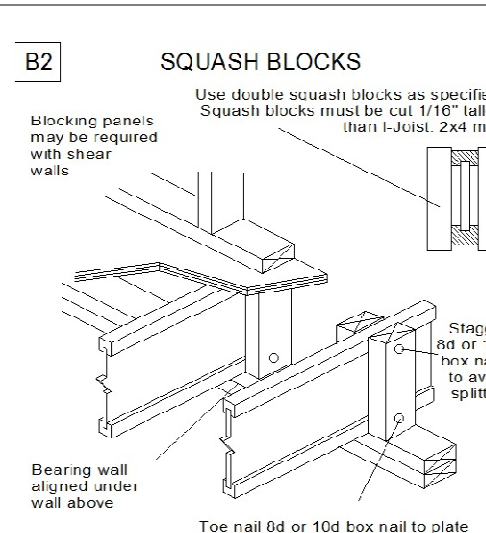
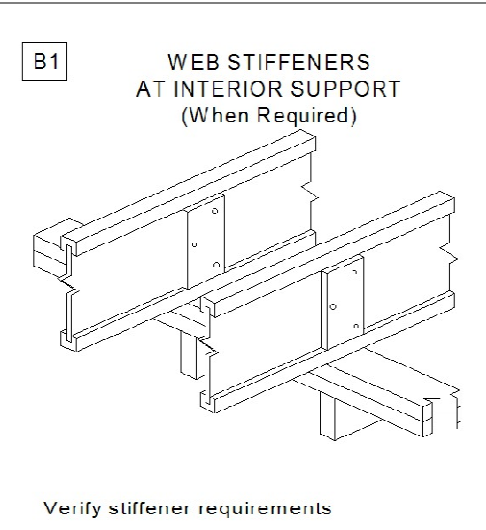
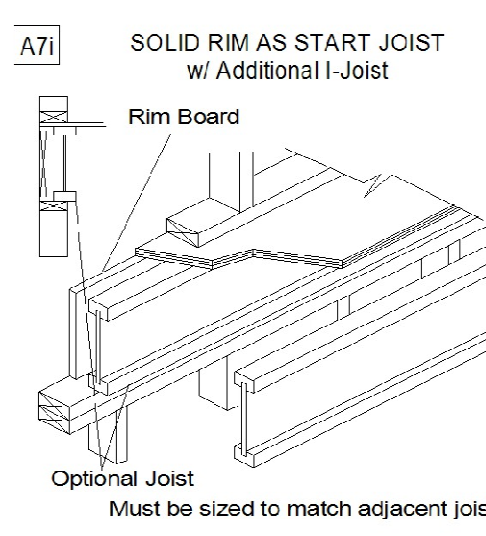
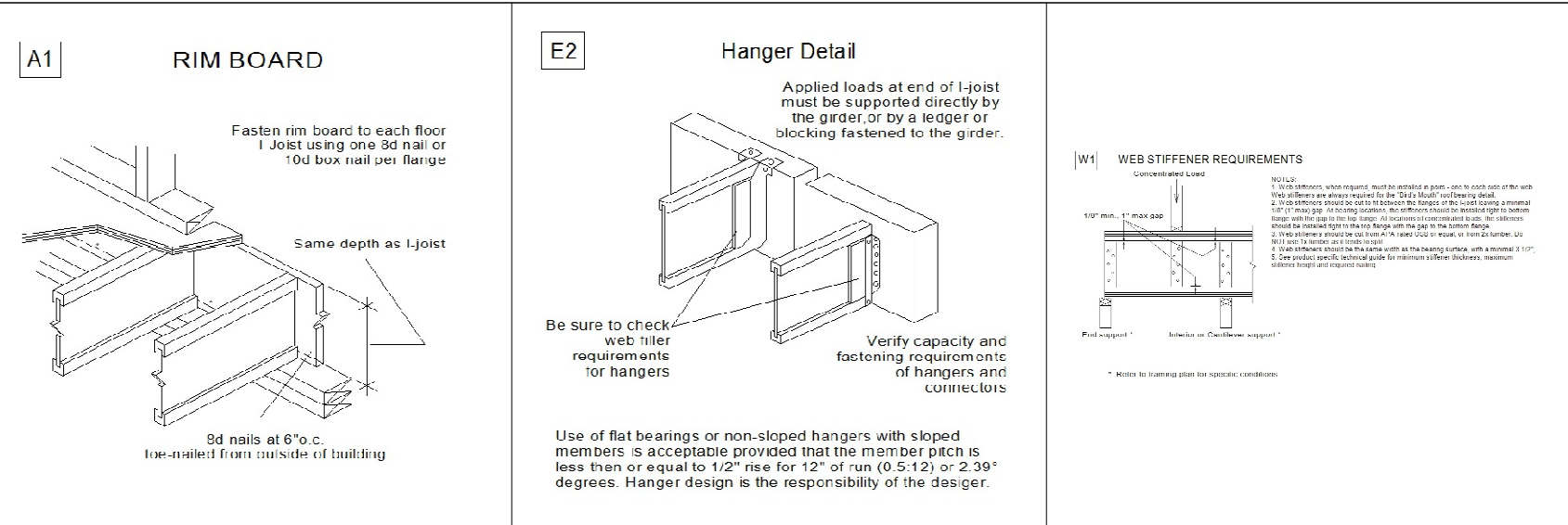
Customer Name:
BRAD CUMMINGS

Job Name:
BURGESS/SPRING HILL CHURCH RD.

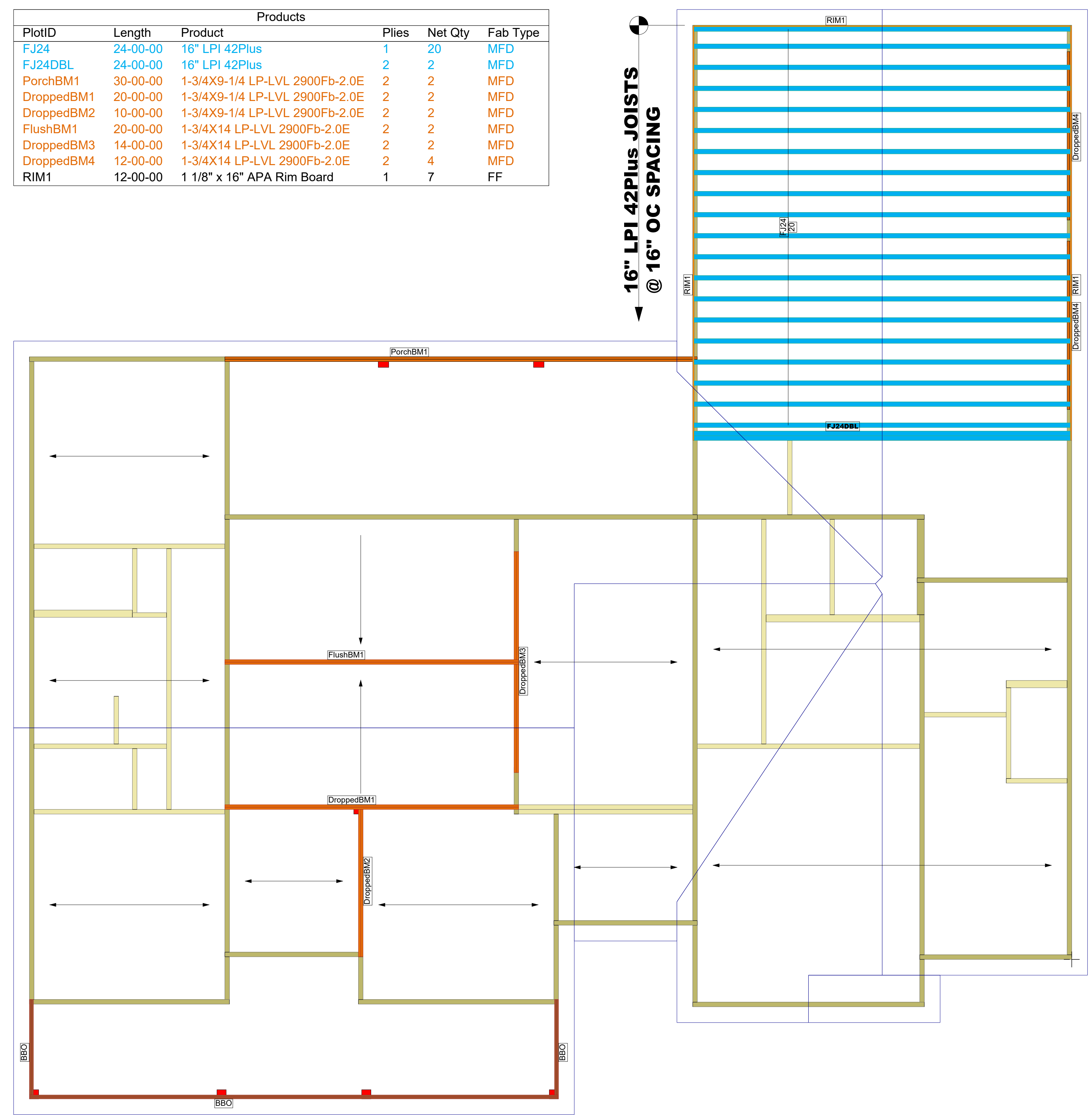
Designer:
Tony Huneycutt

Salesman:
EDDIE BAUER

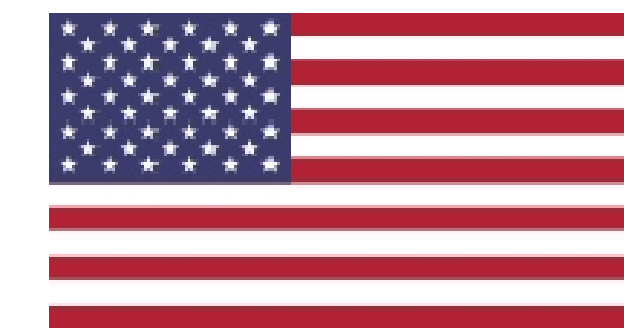
Scale: 1/4" = 1' Date: 10/13/20 2ND FLOOR



PlotID	Length	Product	Plies	Net Qty	Fab Type
FJ24	24-00-00	16" LPI 42Plus	1	20	MFD
FJ24DBL	24-00-00	16" LPI 42Plus	2	2	MFD
PorchBM1	30-00-00	1-3/4X9-1/4 LP-LVL 2900Fb-2.0E	2	2	MFD
DroppedBM1	20-00-00	1-3/4X9-1/4 LP-LVL 2900Fb-2.0E	2	2	MFD
DroppedBM2	10-00-00	1-3/4X9-1/4 LP-LVL 2900Fb-2.0E	2	2	MFD
FlushBM1	20-00-00	1-3/4X14 LP-LVL 2900Fb-2.0E	2	2	MFD
DroppedBM3	14-00-00	1-3/4X14 LP-LVL 2900Fb-2.0E	2	2	MFD
DroppedBM4	12-00-00	1-3/4X14 LP-LVL 2900Fb-2.0E	2	4	MFD
RIM1	12-00-00	1 1/8" x 16" APA Rim Board	1	7	FF



16" LPI 42Plus JOISTS @ 16" OC SPACING

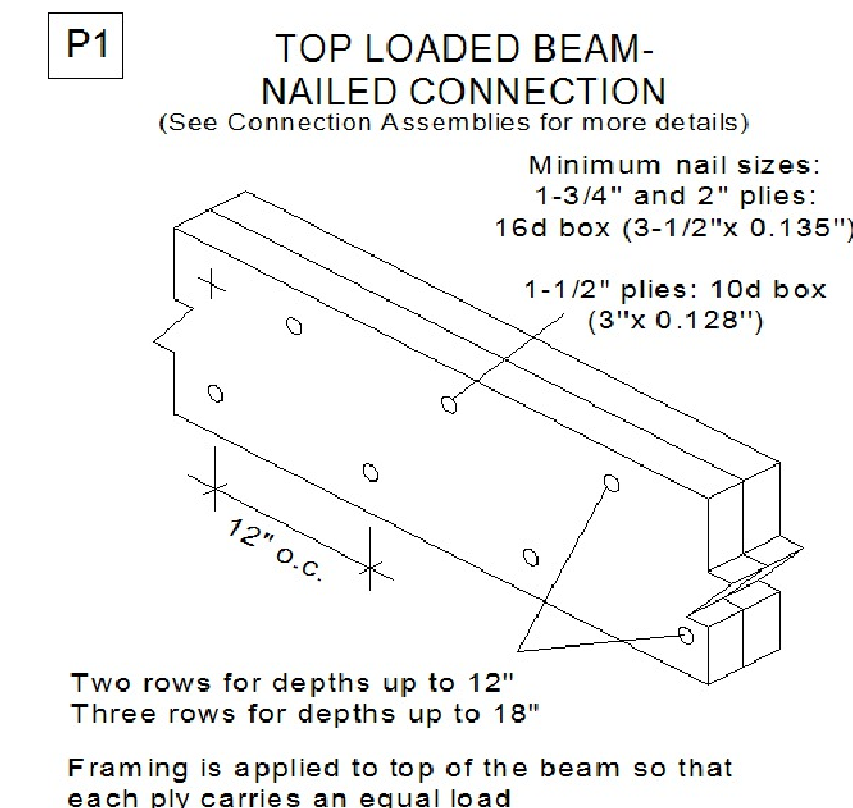


U. S. LUMBER

Important Notes WARNING: Failure to follow proper procedures for handling, storage and installation could result in unsatisfactory performance, unsafe structures and possible collapse.

These instructions are offered as a guide to good practice in the handling, storage and installation of LP® SolidStart® I-Joists, LP SolidStart LVL & LP SolidStart LSL beams. They are, however, solely general recommendations and, in some instances, other or additional precautions may be desirable. In all cases, the procedures used should be as specified by the architect/engineer responsible for the entire building.

- This is not intended as a manual for selecting products and assumes that components and details have been specified correctly.
- Consult the LP SolidStart I-Joist, LP SolidStart LVL & LP SolidStart LSL brochures or contact your LP SolidStart products distributor for assistance.
- All rim joists, blocking, connections and temporary bracing must be installed before erectors are allowed on the structure.
- No loads other than the weight of the erectors are to be imposed on the structure before it is permanently sheathed.
- After sheathing, do not overload joists with construction materials exceeding design loads.
- LP SolidStart I-Joists, LP SolidStart LVL & LP SolidStart LSL beams must be used under dry, covered and well ventilated interior conditions in which the equivalent moisture content in lumber will not exceed 16%.



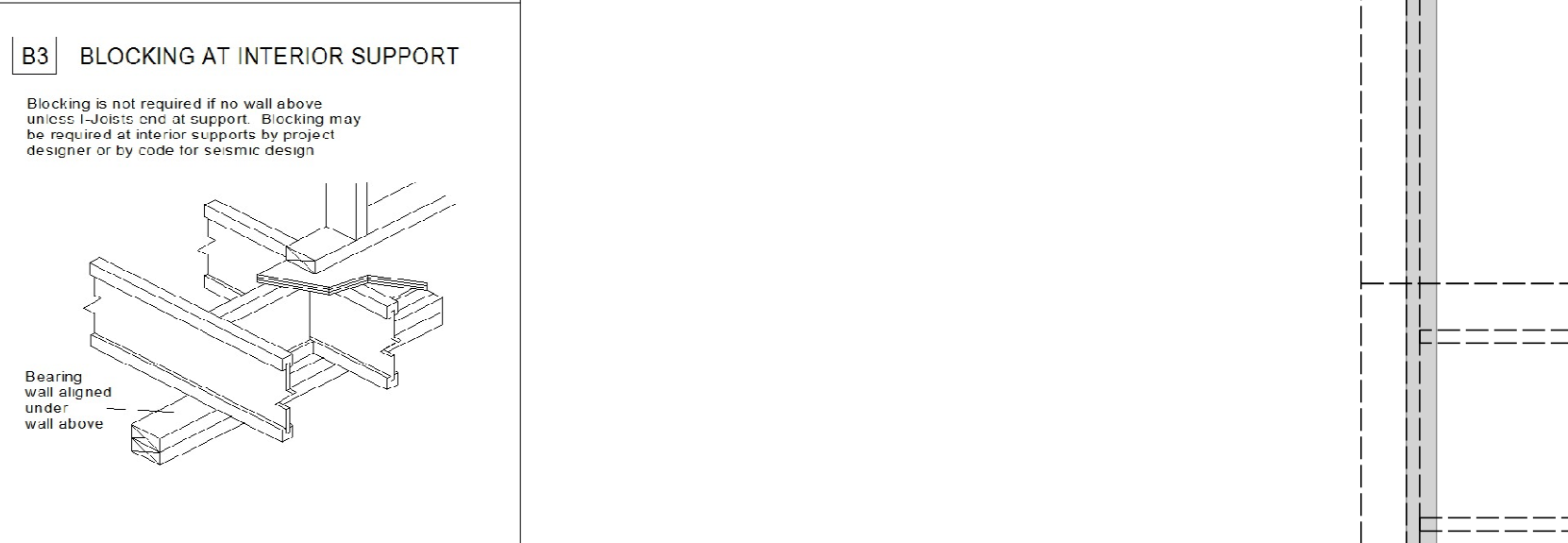
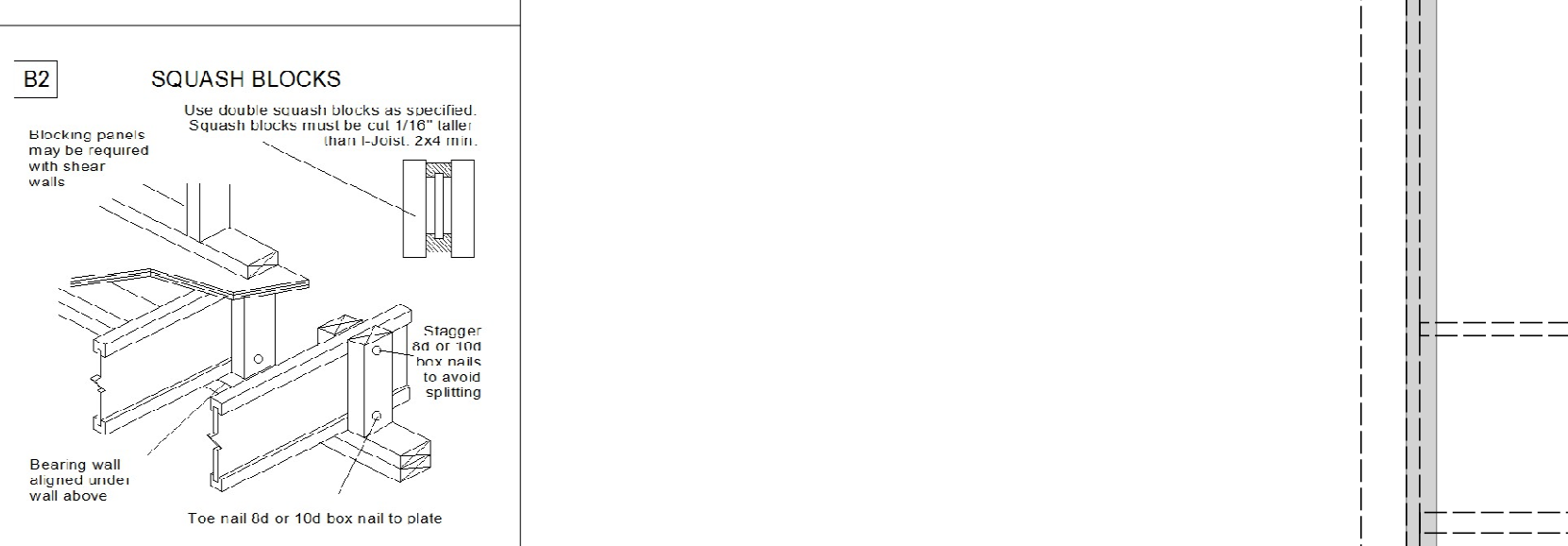
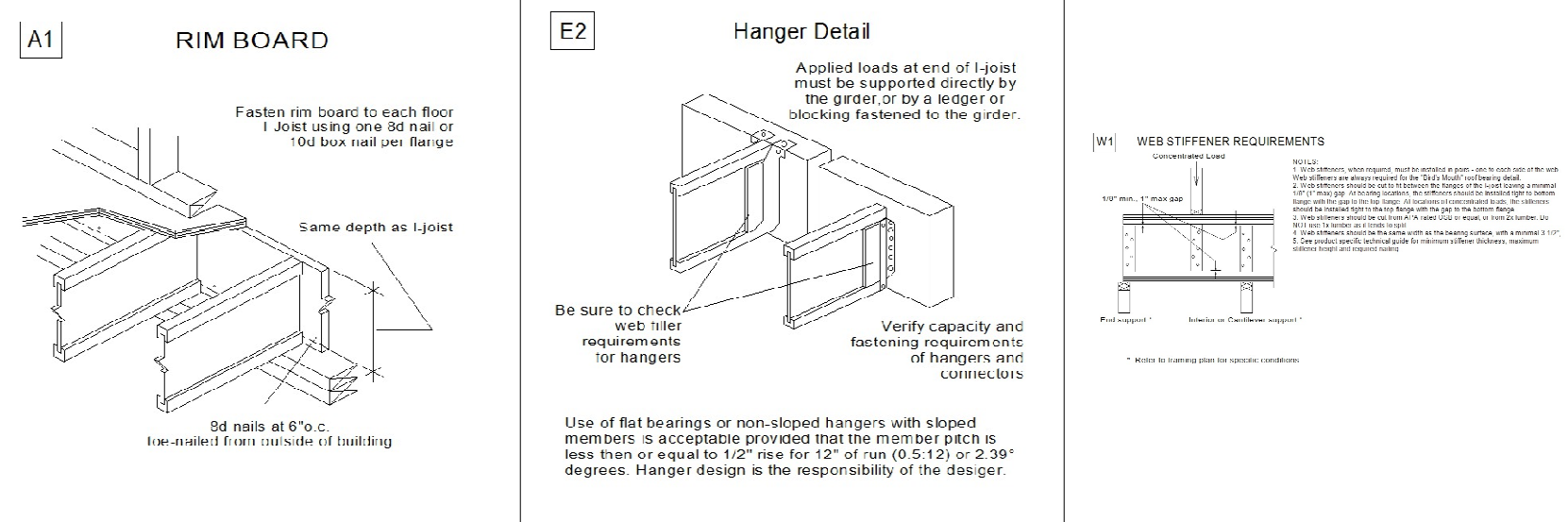
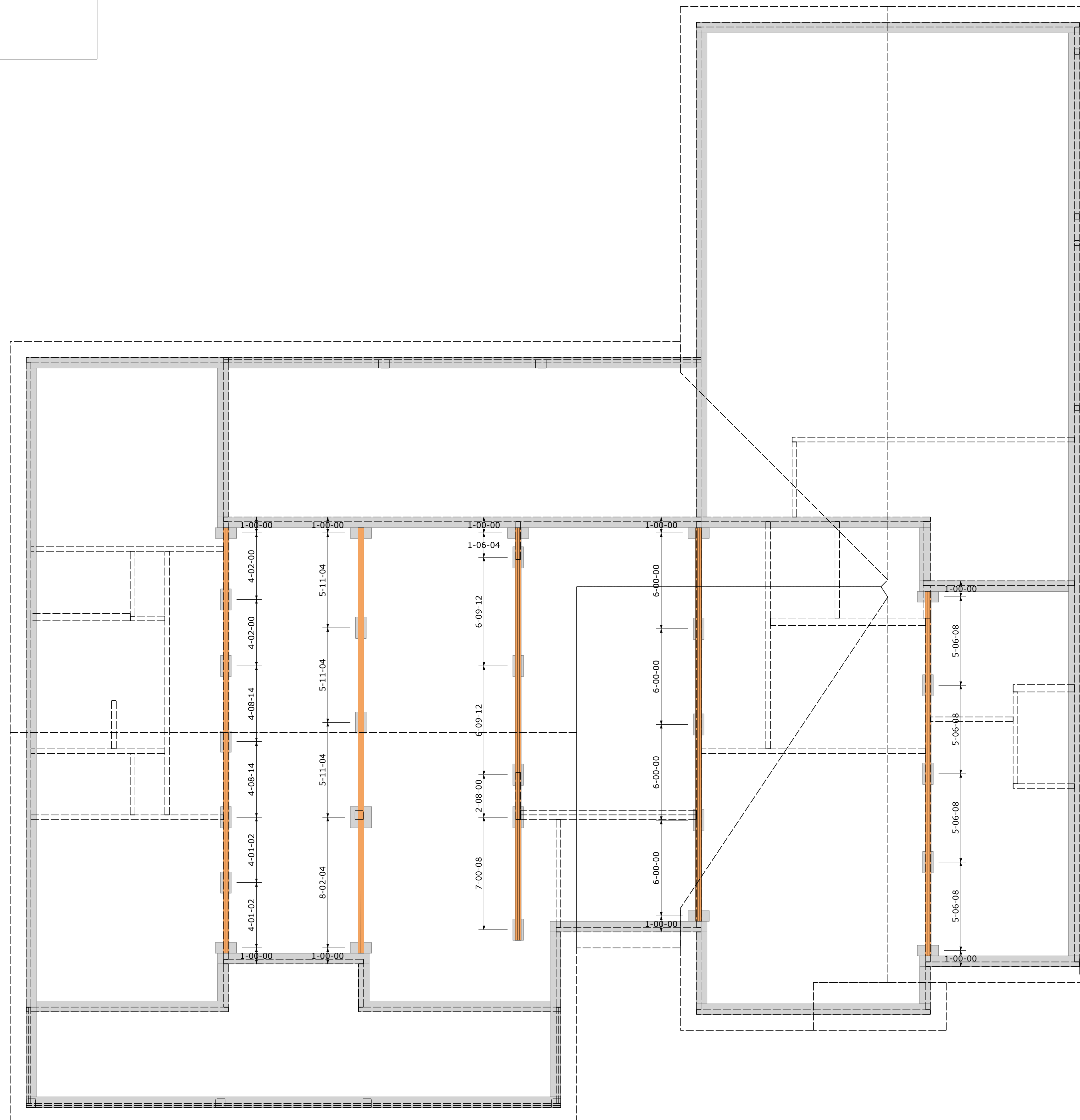
Customer Name:
BRAD CUMMINGS

Job Name:
BURGESS/SPRING HILL CHURCH RD.

Designer:
Tony Huneycutt

Salesman:
EDDIE BAUER

Scale: 1/4" = 1' Date: 10/13/20 1ST FLOOR



FIRST FLOOR FRAMING

1642	LF	12IJ	11-7/8" LPI 20Plus JOISTS	17/30' 15/24' 2/22' 8/16'	3	4926
				33/14' 2/12' 5/10' + 64' BLKG		
20	PCS	12RIM12	1-1/8" x 11-7/8" x 12' RIM BOARD		43.3	866

5792

BONUS ROOM EWP

528	LF	16IJHD	16" LPI 42Plus JOISTS	22/24'	4.5	2376
7	PCS	16RIM12	1-1/8" x 16" x 12' RIM BOARD		58.8	411.6
120	LF	9LVL	1-3/4" x 9-1/4" LVL	2/30' 2/20' 2/10'	4.2	504
116	LF	14LVL	1-3/4" x 14" LVL	2/20' 2/14' 4/12'	6.4	742.4

4034