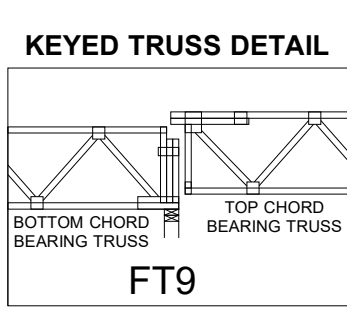
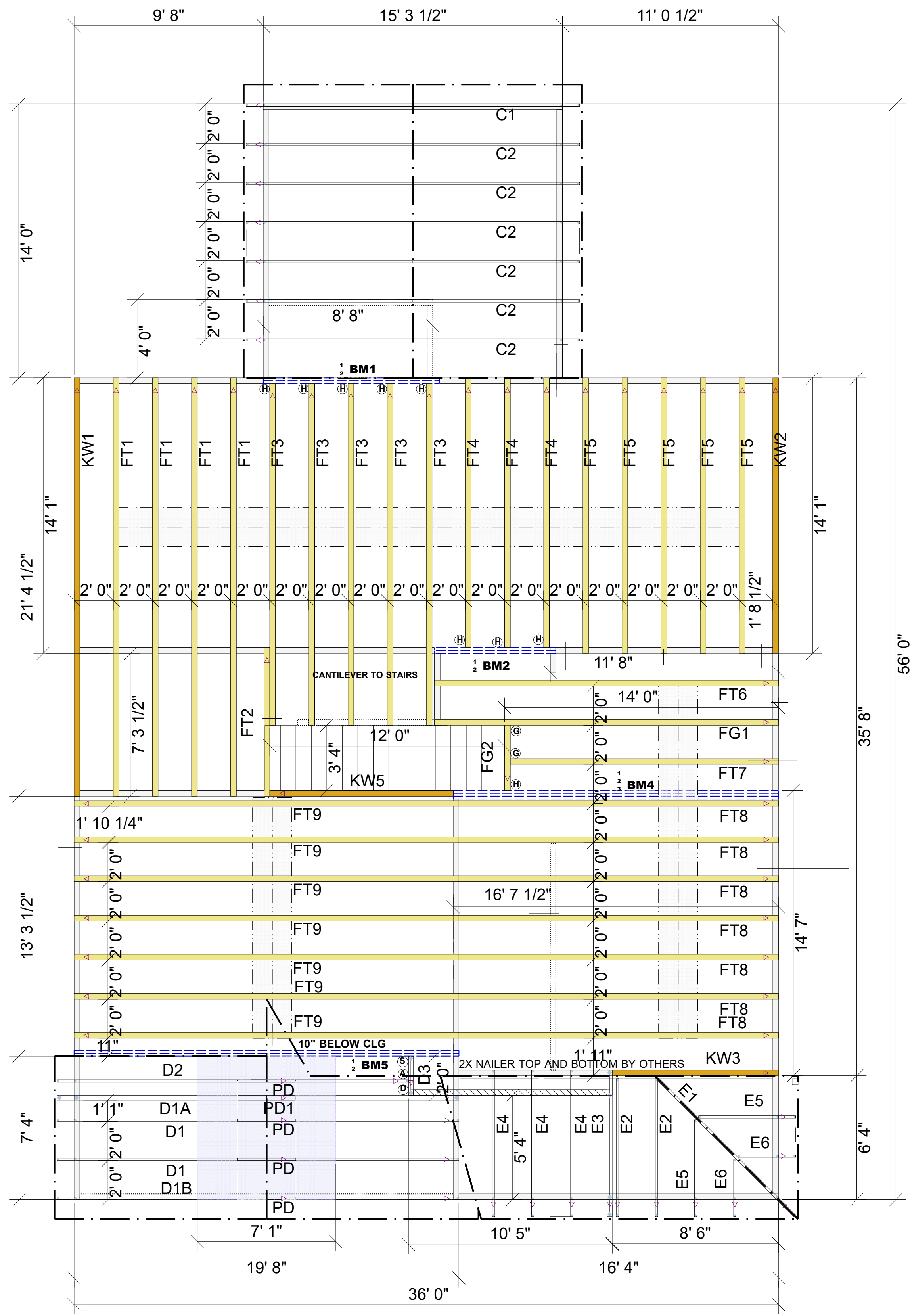


TRUSS TO WALL CONNECTIONS, IF SHOWN, ARE FOR UPLIFT ONLY AND DO NOT CONSIDER LATERAL LOADS. ALL CONNECTORS ON THIS PROJECT ARE TO BE INSTALLED PER THE CONNECTOR MANUFACTURER'S SPECIFICATIONS. ALL CONNECTORS SHOWN THAT ARE NOT "TRUSS TO TRUSS" ARE SUGGESTIONS ONLY AND ARE TO BE VERIFIED BY THE BUILDING DESIGNER OR ENGINEER OF RECORD FOR SUITABILITY TO THIS PARTICULAR PROJECT. UFP MID-ATLANTIC, LLC ACCEPTS NO RESPONSIBILITY FOR THE SPECIFIC APPLICATION OR SUITABILITY OF ANY CONNECTOR THAT IS NOT "TRUSS TO TRUSS" AS THEY APPLY TO THIS SPECIFIC STRUCTURE.



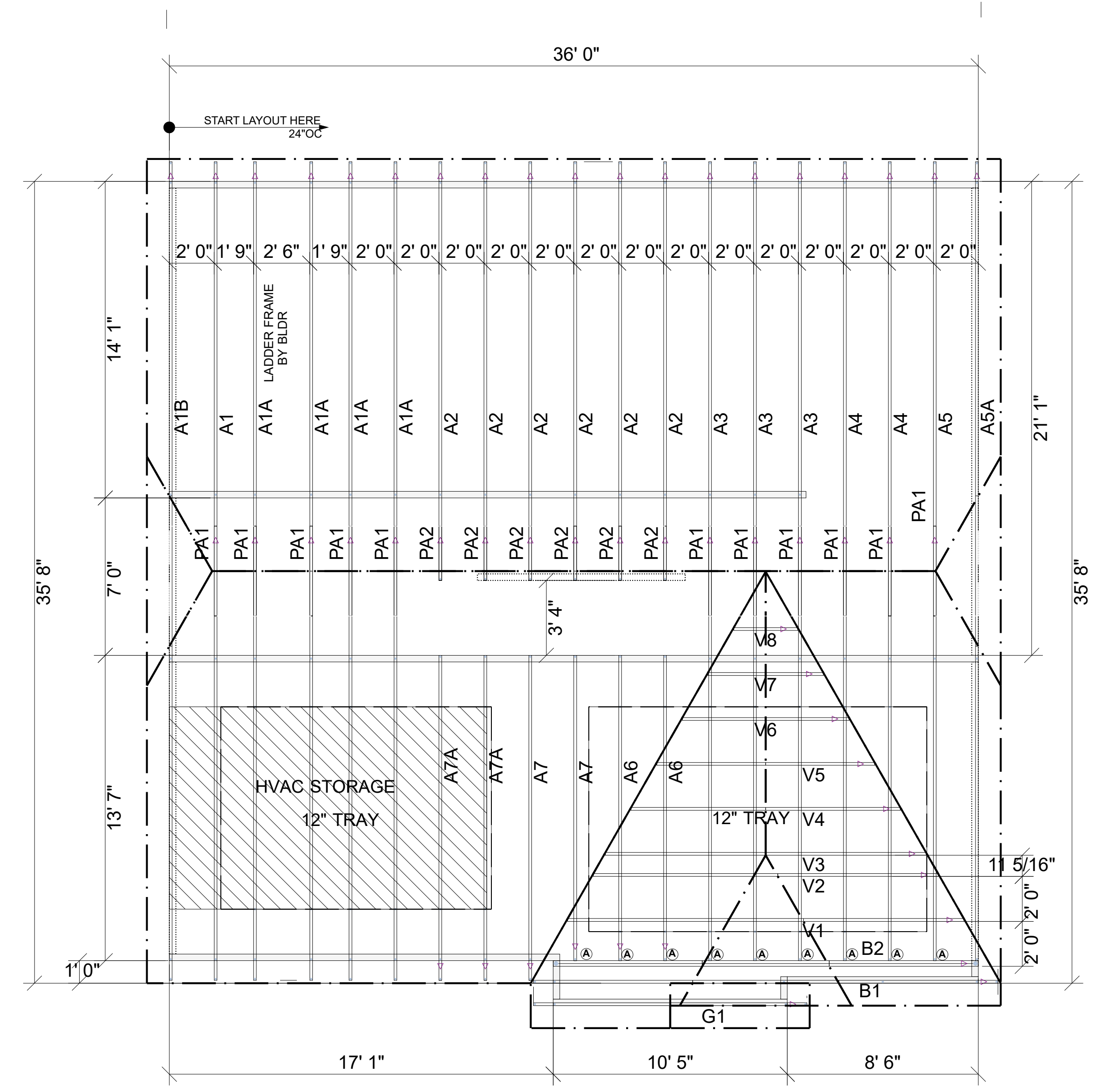
9' 1 1/2" TYPICAL WALL HEIGHT

Floor Hanger List			
QTY	DESCRIPTION	TYPE	MARK
9	FACE MOUNT - FLOOR	JUS48	(H)
2	STRAP HANGER - FLOOR	MSH422	(G)

Products					
Fab Type	Net Qty	Plies	Product	Length	PlotID
MFD	3	3	1 3/4" x 14" 2.0E Microllam® LVL	18' 0"	BM4
MFD	2	2	1 3/4" x 14" 2.0E Microllam® LVL	10' 0"	BM1
MFD	2	2	1 3/4" x 14" 2.0E Microllam® LVL	8' 0"	BM2
MFD	2	2	1 3/4" x 24" 2.0E Microllam® LVL	20' 0"	BM5

NO DROPPED HEADERS (LVL) SUPPLIED BY THE TRUSS COMPANY

1	FACE MOUNT HANGER	HUS26-2	(D)
1	FACE MOUNT HANGER	THD210-2	(S)



Roof Hanger List			
QTY	DESCRIPTION	TYPE	MARK
10	MEDIUM DUTY - ROOF	HUS26	(A)

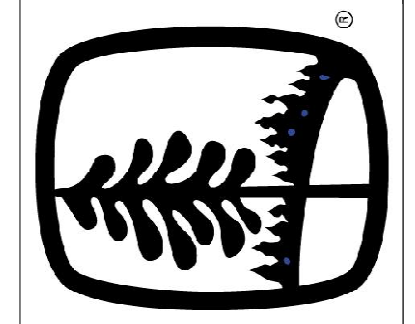
8' 1 1/2" TYPICAL WALL HEIGHT

**LOT 1126 ANDERSON CREEK ACADEMY NELSON EURO  
WITH REAR PORCH AND CRAWL  
NC2015 CODE CUMBERLAND COUNTY 130 MPH  
ENGINEERING BY SUMMIT**

This layout is not an engineered drawing. This drawing was created to establish truss placement only. It is the responsibility of the builder to provide adequate support for all the elements shown in this drawing.

1. TEMPORARY BRACING TO BE INSTALLED W/ P.I. STANDARD BC5L81  
2. SEE ENGINEERED DRAWING FOR PERMANENT BRACING MINIMUM REQUIREMENTS  
3. FRAMER TO VERIFY ALL DIMENSIONS, DROP & RISE LOCATIONS PRIOR TO TRUSS PLACEMENT  
4. BLDGRFRMR RESPONSIBLE FOR ADJUSTMENT OF TRUSS SPACING FOR PLUMBING DROP, UNLESS NOTED OTHERWISE.

**UFP MID-ATLANTIC, LLC**  
A UNIVERSAL FOREST PRODUCTS COMPANY  
BURLINGTON, NC PHONE (800) 476-9356  
CHESAPEAKE, VA PHONE (800) 476-3190  
CONWAY, SC PHONE (800) 397-9572  
JEFFERSON, GA PHONE (800) 648-4038  
PEARISBURG, VA PHONE (800) 397-9571



NOTES: THIS DRAWING IS THE PROPERTY OF UFP MID-ATLANTIC, LLC AND IS NOT TO BE USED FOR ANY PURPOSE DETERMINAL TO THE TRUSS COMPANY OR UFP MID-ATLANTIC, LLC WITHOUT THE WRITTEN CONSENT OF UFP MID-ATLANTIC, LLC AND BRACING WITH ALL OTHER TECHNICAL DRAWINGS SUPPLIED BY UFP MID-ATLANTIC, LLC AND BRACING TRUSSES PUBLISHED BY THE TRUSS PLATE INSTITUTE FOR INDUSTRY STANDARDS IN BRACING TRUSSES (PTPI) IS LOCATED AT 5827 DUNFORD DR. ROCKY HILL, CT 06067 (860) 533-5820

Customer: **MCKEE HOMES**  
Job Name: **LOT 1126 ACC NELSON EURO**  
Date: 9/2/2020  
Drawn By: ROB FERBR  
Scale: NTS  
Revision Date 1:  
Revision Date 2:  
Checked By: \*\*\*  
Drawing Number: **20083567**