

Trenco

818 Soundside Rd
Edenton, NC 27932

Re: Rosemont
Lamco Custom Homes

The truss drawing(s) referenced below have been prepared by Truss Engineering Co. under my direct supervision based on the parameters provided by Builders FirstSource (Albermarle,NC).

Pages or sheets covered by this seal: E12973927 thru E12973941

My license renewal date for the state of North Carolina is December 31, 2019.

North Carolina COA: C-0844



April 29,2019

Gilbert, Eric

IMPORTANT NOTE: Truss Engineer's responsibility is solely for design of individual trusses based upon design parameters shown on referenced truss drawings. Parameters have not been verified as appropriate for any use. Any location identification specified is for file reference only and has not been used in preparing design. Suitability of truss designs for any particular building is the responsibility of the building designer, not the Truss Engineer, per ANSI/TPI-1, Chapter 2.

Job Rosemont	Truss A1	Truss Type COMMON SUPPORTED GAB	Qty 1	Ply 1	Lamco Custom Homes Job Reference (optional)	E12973927
------------------------	-------------	------------------------------------	----------	----------	--	-----------

Builders FirstSource, Albemarle, NC 28001

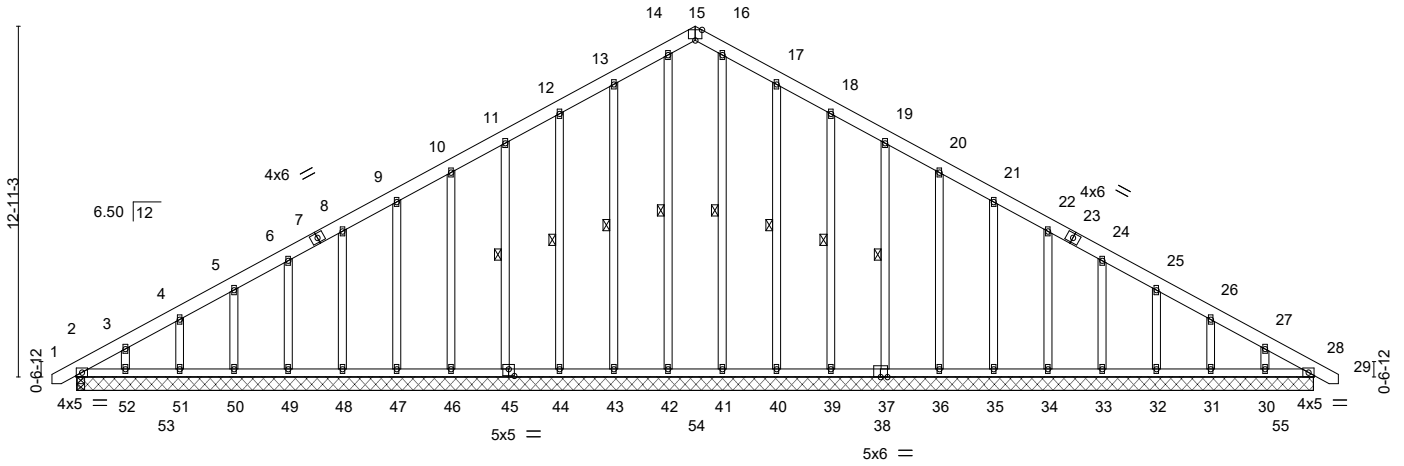
8.220 s Nov 16 2018 MiTek Industries, Inc. Mon Apr 29 07:12:22 2019 Page 1

ID:JA8O6Mv6xZ6?5VrYW_ggqykJNB-Kmek2DEQFNaPq?6FO4r8_isEj8p75SWhk4S_GczLwvN

-0-10-8 22-10-0 45-8-0 46-6-8
0-10-8 22-10-0 22-10-0 0-10-8

4x6 =

Scale = 1:84.9



0-0-8 45-8-0
0-0-8 45-7-8

Plate Offsets (X,Y)-- [15:0-3-0,Edge], [37:0-1-12,0-0-0], [38:0-0-0,0-1-12], [45:0-2-8,0-3-0]

LOADING (psf)	SPACING-	CSL	DEFL.	in (loc)	l/defl	L/d	PLATES	GRIP
TCLL (roof) 20.0	2-0-0	TC 0.09	Vert(LL)	-0.00	46	>999	MT20	244/190
Snow (Pf/Pg) 15.4/20.0	Plate Grip DOL 1.15	BC 0.03	Vert(CT)	-0.00	46	>999		
TCDL 10.0	Lumber DOL 1.15	WB 0.13	Horz(CT)	0.01	28	n/a		
BCLL 0.0 *	Rep Stress Incr YES	Matrix-S	Wind(LL)	0.00	46	>999		
BCDL 10.0	Code IRC2015/TPI2014						Weight: 399 lb	FT = 20%

LUMBER-

TOP CHORD 2x6 SP No.2
BOT CHORD 2x4 SP No.2
OTHERS 2x4 SP No.3

BRACING-

TOP CHORD Structural wood sheathing directly applied or 6-0-0 oc purlins.
BOT CHORD Rigid ceiling directly applied or 10-0-0 oc bracing.
WEBS 1 Row at midpt 14-42, 13-43, 12-44, 11-45, 16-41, 17-40, 18-39, 19-37

REACTIONS.

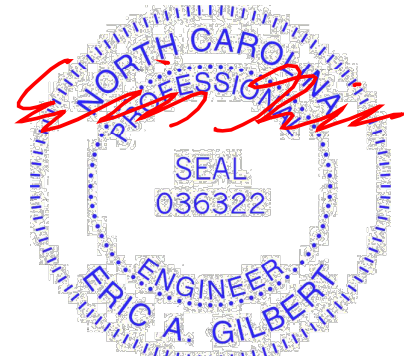
All bearings 45-7-0.
(lb) - Max Horz 2=-170(LC 14)
Max Uplift All uplift 100 lb or less at joint(s) 28, 43, 44, 45, 46, 47, 48, 49, 50, 51, 52, 40, 39, 37, 36, 35, 34, 33, 32, 31, 30, 2
Max Grav All reactions 250 lb or less at joint(s) 28, 42, 43, 44, 45, 46, 47, 48, 49, 50, 51, 52, 41, 40, 39, 37, 36, 35, 34, 33, 32, 31, 30, 2, 2

FORCES. (lb) - Max. Comp./Max. Ten. - All forces 250 (lb) or less except when shown.

TOP CHORD 13-14=-237/269, 16-17=-237/269

NOTES-

- Unbalanced roof live loads have been considered for this design.
- Wind: ASCE 7-10; Vult=120mph (3-second gust) Vasd=95mph; TCDL=6.0psf; BCDL=6.0psf; h=25ft; Cat. II; Exp B; Enclosed; MWFRS (envelope) and C-C Corner(3) -0-8-6 to 2-3-10, Exterior(2) 2-3-10 to 22-10-0, Corner(3) 22-10-0 to 25-10-0, Exterior(2) 25-10-0 to 46-4-6 zone; cantilever left and right exposed ;C-C for members and forces & MWFRS for reactions shown; Lumber DOL=1.60 plate grip DOL=1.60
- Truss designed for wind loads in the plane of the truss only. For studs exposed to wind (normal to the face), see Standard Industry Gable End Details as applicable, or consult qualified building designer as per ANSI/TPI 1.
- TCLL: ASCE 7-10; Pr=20.0 psf (roof live load); Lumber DOL=1.15 Plate DOL=1.15; Pg=20.0 psf (ground snow); Pf=15.4 psf (flat roof snow); Lumber DOL=1.15 Plate DOL=1.15; Category II; Exp B; Partially Exp.; Ct=1.10
- Unbalanced snow loads have been considered for this design.
- This truss has been designed for greater of min roof live load of 12.0 psf or 1.00 times flat roof load of 15.4 psf on overhangs non-concurrent with other live loads.
- All plates are 2x4 MT20 unless otherwise indicated.
- Gable studs spaced at 2-0-0 oc.
- This truss has been designed for a 10.0 psf bottom chord live load nonconcurrent with any other live loads.
- * This truss has been designed for a live load of 20.0psf on the bottom chord in all areas where a rectangle 3-6-0 tall by 2-0-0 wide will fit between the bottom chord and any other members.
- Provide mechanical connection (by others) of truss to bearing plate capable of withstanding 100 lb uplift at joint(s) 28, 43, 44, 45, 46, 47, 48, 49, 50, 51, 52, 40, 39, 37, 36, 35, 34, 33, 32, 31, 30, 2.



April 29, 2019

WARNING - Verify design parameters and READ NOTES ON THIS AND INCLUDED MITTEK REFERENCE PAGE MII-7473 rev. 10/03/2015 BEFORE USE.

Design valid for use only with MiTek® connectors. This design is based only upon parameters shown, and is for an individual building component, not a truss system. Before use, the building designer must verify the applicability of design parameters and properly incorporate this design into the overall building design. Bracing indicated is to prevent buckling of individual truss web and/or chord members only. Additional temporary and permanent bracing is always required for stability and to prevent collapse with possible personal injury and property damage. For general guidance regarding the fabrication, storage, delivery, erection and bracing of trusses and truss systems, see **ANSI/TPI1 Quality Criteria, DSB-89 and BCSI Building Component Safety Information** available from Truss Plate Institute, 218 N. Lee Street, Suite 312, Alexandria, VA 22314.



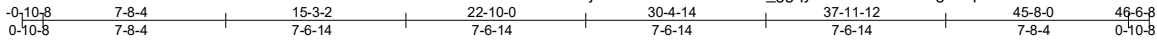
818 Soundside Road
Edenton, NC 27932

Job Rosemont	Truss A2	Truss Type COMMON	Qty 10	Ply 1	Lamco Custom Homes Job Reference (optional)	E12973928
------------------------	--------------------	-----------------------------	------------------	-----------------	---	-----------

Builders FirstSource, Albemarle, NC 28001

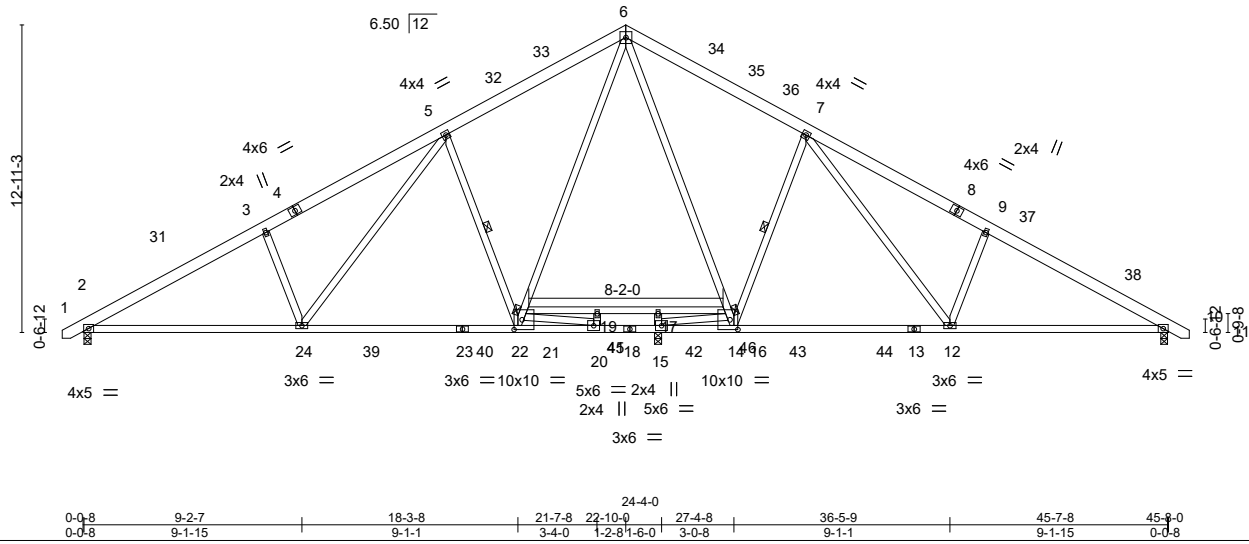
8.220 s Nov 16 2018 MiTek Industries, Inc. Mon Apr 29 07:12:24 2019 Page 1

ID:JJA806Mv6xZ6?5VrYW_ggqykJNB-G8mUSvFgnOq73JGeVVtc37xMKxHeZFH_BNx5KVzLwL



6x6 =

Scale: 1/8"=1'



LOADING (psf)	SPACING-	CSI.	DEFL.	PLATES	GRIP
TCLL (roof) 20.0	2-0-0	TC 0.98	in (loc) l/defl L/d	MT20	244/190
Snow (Pf/Pg) 15.4/20.0	Plate Grip DOL 1.15	BC 0.86	Vert(LL) -0.31 12-14 >833 360		
TCDL 10.0	Lumber DOL 1.15	WB 0.63	Vert(CT) -0.55 12-14 >465 240		
BCLL 0.0 *	Rep Stress Incr NO	Matrix-AS	Horz(CT) 0.09 10 n/a n/a		
BCDL 10.0	Code IRC2015/TPI2014		Wind(LL) 0.07 12-14 >999 240	Weight: 324 lb	FT = 20%

LUMBER-	BRACING-
TOP CHORD 2x6 SP No.2	TOP CHORD Structural wood sheathing directly applied.
BOT CHORD 2x4 SP No.1 *Except* 16-21: 2x4 SP 2400F 2.0E	BOT CHORD Rigid ceiling directly applied.
WEBS 2x4 SP No.3	WEBS 1 Row at midpt 7-14, 5-22

REACTIONS. (lb/size) 2=1270/0-3-8, 15=1376/0-3-8, 10=1834/0-3-8
 Max Horz 2=170(LC 15)
 Max Grav 2=1440(LC 30), 15=1740(LC 30), 10=2073(LC 2)

FORCES. (lb) - Max. Comp./Max. Ten. - All forces 250 (lb) or less except when shown.
 TOP CHORD 2-3=-2416/100, 3-5=-2299/164, 5-6=-1556/201, 6-7=-1631/214, 7-9=-2347/191, 9-10=-2529/127
 BOT CHORD 2-24=0/2172, 22-24=0/1607, 20-22=0/1034, 15-20=-1395/253, 14-15=0/1003, 12-14=0/1533, 10-12=-23/2101, 19-21=-124/2446, 17-19=-123/2446, 16-17=-124/2457
 WEBS 6-16=-77/455, 14-16=-94/1118, 7-14=-1078/196, 7-12=-32/768, 9-12=-400/145, 21-22=-58/1106, 6-21=-14/665, 5-22=-714/165, 5-24=-34/740, 3-24=-416/146, 15-17=-742/0, 20-21=-2367/115, 15-16=-2353/119

- NOTES-**
- Unbalanced roof live loads have been considered for this design.
 - Wind: ASCE 7-10; Vult=120mph (3-second gust) Vasd=95mph; TCCL=6.0psf; BCDL=6.0psf; h=25ft; Cat. II; Exp B; Enclosed; MWFRS (envelope) and C-C Exterior(2) 0-8-6 to 2-3-10, Interior(1) 2-3-10 to 22-10-0, Exterior(2) 22-10-0 to 25-10-0, Interior(1) 25-10-0 to 46-4-6 zone; cantilever left and right exposed ;C-C for members and forces & MWFRS for reactions shown; Lumber DOL=1.60 plate grip DOL=1.60
 - TCLL: ASCE 7-10; Pr=20.0 psf (roof live load: Lumber DOL=1.15 Plate DOL=1.15); Pg=20.0 psf (ground snow); Pf=15.4 psf (flat roof snow: Lumber DOL=1.15 Plate DOL=1.15); Category II; Exp B; Partially Exp.; Ct=1.10
 - Unbalanced snow loads have been considered for this design.
 - This truss has been designed for greater of min roof live load of 12.0 psf or 1.00 times flat roof load of 15.4 psf on overhangs non-concurrent with other live loads.
 - This truss has been designed for a 10.0 psf bottom chord live load nonconcurrent with any other live loads.
 - * This truss has been designed for a live load of 20.0psf on the bottom chord in all areas where a rectangle 3-6-0 tall by 2-0-0 wide will fit between the bottom chord and any other members, with BCDL = 10.0psf.
 - This truss design requires that a minimum of 7/16" structural wood sheathing be applied directly to the top chord and 1/2" gypsum sheetrock be applied directly to the bottom chord.
 - Hanger(s) or other connection device(s) shall be provided sufficient to support concentrated load(s) 486 lb down and 43 lb up at 27-6-4, and 486 lb down and 43 lb up at 45-8-0 on top chord. The design/selection of such connection device(s) is the responsibility of others.

LOAD CASE(S) Standard
 Continued on page 2



April 29, 2019

WARNING - Verify design parameters and READ NOTES ON THIS AND INCLUDED MITEK REFERENCE PAGE MII-7473 rev. 10/03/2015 BEFORE USE.
 Design valid for use only with MiTek® connectors. This design is based only upon parameters shown, and is for an individual building component, not a truss system. Before use, the building designer must verify the applicability of design parameters and properly incorporate this design into the overall building design. Bracing indicated is to prevent buckling of individual truss web and/or chord members only. Additional temporary and permanent bracing is always required for stability and to prevent collapse with possible personal injury and property damage. For general guidance regarding the fabrication, storage, delivery, erection and bracing of trusses and truss systems, see **ANSI/TPI1 Quality Criteria, DSB-89 and BCSI Building Component Safety Information** available from Truss Plate Institute, 218 N. Lee Street, Suite 312, Alexandria, VA 22314.

TRENCO
 ENGINEERING BY
 818 Soundside Road
 Edenton, NC 27932

Job	Truss	Truss Type	Qty	Ply	Lamco Custom Homes	E12973928
Rosemont	A2	COMMON	10	1	Job Reference (optional)	

Builders FirstSource, Albemarle, NC 28001

8.220 s Nov 16 2018 MiTek Industries, Inc. Mon Apr 29 07:12:24 2019 Page 2
 ID:JJA8O6Mv6xZ6?5VrYW_ggqykJNB-G8mUSvFgnOq73JGeVVtc37xMKxHeZFH_BN5KVzLwL

LOAD CASE(S) Standard

1) Dead + Snow (balanced): Lumber Increase=1.15, Plate Increase=1.15

Uniform Loads (plf)

Vert: 1-6=-51, 6-37=-51, 10-11=-51, 25-28=-20, 16-21=-20

Concentrated Loads (lb)

Vert: 10=-430 35=-430

Trapezoidal Loads (plf)

Vert: 37=-51-to-10=-93

WARNING - Verify design parameters and READ NOTES ON THIS AND INCLUDED MITEK REFERENCE PAGE MII-7473 rev. 10/03/2015 BEFORE USE.

Design valid for use only with MiTek® connectors. This design is based only upon parameters shown, and is for an individual building component, not a truss system. Before use, the building designer must verify the applicability of design parameters and properly incorporate this design into the overall building design. Bracing indicated is to prevent buckling of individual truss web and/or chord members only. Additional temporary and permanent bracing is always required for stability and to prevent collapse with possible personal injury and property damage. For general guidance regarding the fabrication, storage, delivery, erection and bracing of trusses and truss systems, see **ANSI/TPI1 Quality Criteria, DSB-89 and BCSI Building Component Safety Information** available from Truss Plate Institute, 218 N. Lee Street, Suite 312, Alexandria, VA 22314.

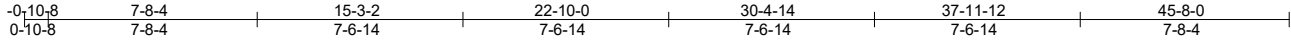


818 Soundside Road
 Edenton, NC 27932

Job Rosemont	Truss A4	Truss Type COMMON	Qty 3	Ply 1	Lamco Custom Homes	E12973930
------------------------	-------------	----------------------	----------	----------	--------------------	-----------

Builders FirstSource, Albemarle, NC 28001

8.220 s Nov 16 2018 MiTek Industries, Inc. Mon Apr 29 07:12:27 2019 Page 1
 ID:JA8O6Mv6xZ6?5VrYW_ggqykJNB-hjSd5xlY4JChwm_DBeRjhlZ?o9lcmWgQuL9lxqzLwvl



6x6 =

Scale = 1:84.8

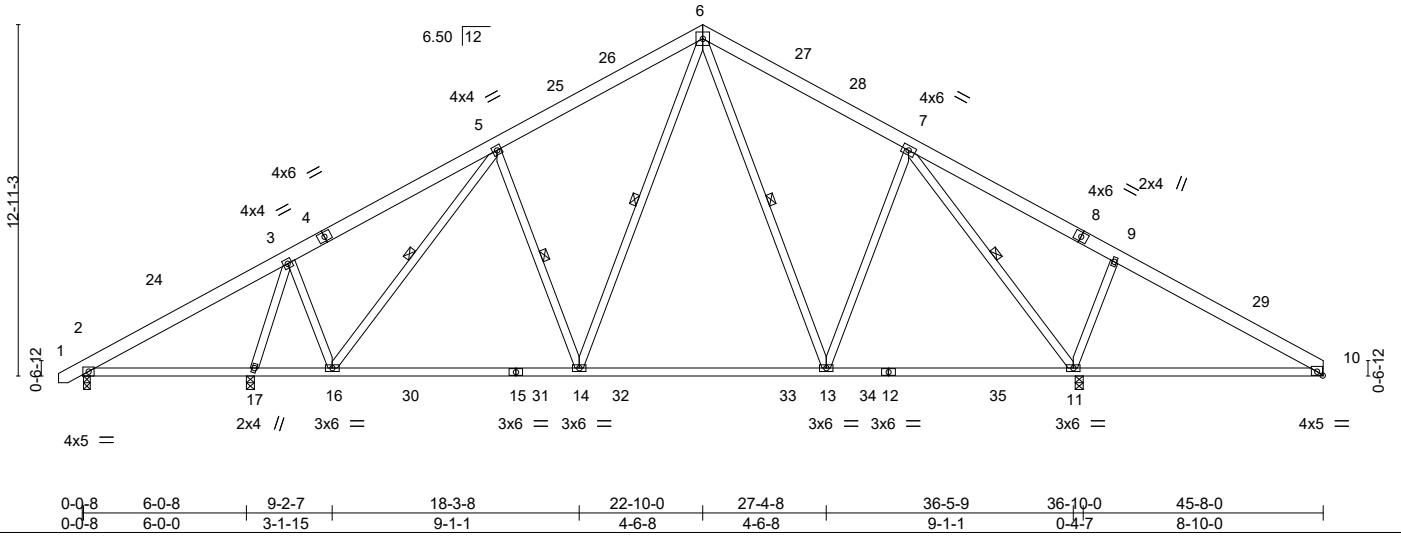


Plate Offsets (X,Y)-- [10:0-2-8,0-1-12]

LOADING (psf)	SPACING	CSI	DEFL.	PLATES	GRIP
TCLL (roof) 20.0	2-0-0	TC 0.45	in (loc) l/defl L/d	MT20	244/190
Snow (Pf/Pg) 15.4/20.0	Plate Grip DOL 1.15	BC 0.91	Vert(LL) -0.20 11-13 >999 360		
TCDL 10.0	Lumber DOL 1.15	WB 0.97	Vert(CT) -0.32 14-16 >999 240		
BCLL 0.0 *	Rep Stress Incr YES	Matrix-AS	Horz(CT) 0.03 11 n/a n/a		
BCDL 10.0	Code IRC2015/TPI2014		Wind(LL) 0.14 14-16 >999 240	Weight: 305 lb	FT = 20%

LUMBER-
 TOP CHORD 2x6 SP No.2
 BOT CHORD 2x4 SP No.2
 WEBS 2x4 SP No.3

BRACING-
 TOP CHORD Structural wood sheathing directly applied.
 BOT CHORD Rigid ceiling directly applied.
 WEBS 1 Row at midpt 6-13, 7-11, 6-14, 5-14, 5-16

REACTIONS. (lb/size) 2=206/0-3-0, 11=1808/0-3-8, 17=1254/0-3-8
 Max Horz 2=170(LC 13)
 Max Uplift 2=-29(LC 12), 17=-139(LC 13)
 Max Grav 2=257(LC 34), 11=2043(LC 2), 17=1473(LC 3)

FORCES. (lb) - Max. Comp./Max. Ten. - All forces 250 (lb) or less except when shown.
 TOP CHORD 2-3=-109/267, 3-5=-754/371, 5-6=-1038/510, 6-7=-822/418, 7-9=-174/784, 9-10=-238/634
 BOT CHORD 16-17=-90/381, 14-16=-187/886, 13-14=-62/692, 11-13=-44/511, 10-11=-430/239
 WEBS 7-13=-122/462, 7-11=-1721/574, 9-11=-498/198, 6-14=-276/539, 5-16=-501/89, 3-16=-194/657, 3-17=-1482/523

- NOTES-**
- Unbalanced roof live loads have been considered for this design.
 - Wind: ASCE 7-10; Vult=120mph (3-second gust) Vasd=95mph; TCDL=6.0psf; BCDL=6.0psf; h=25ft; Cat. II; Exp B; Enclosed; MWFRS (envelope) and C-C Exterior(2) -0-8-6 to 2-3-10, Interior(1) 2-3-10 to 22-10-0, Exterior(2) 22-10-0 to 25-10-0, Interior(1) 25-10-0 to 45-8-0 zone; cantilever left and right exposed; porch left and right exposed; C-C for members and forces & MWFRS for reactions shown; Lumber DOL=1.60 plate grip DOL=1.60
 - TCLL: ASCE 7-10; Pr=20.0 psf (roof live load); Lumber DOL=1.15 Plate DOL=1.15; Pg=20.0 psf (ground snow); Pf=15.4 psf (flat roof snow; Lumber DOL=1.15 Plate DOL=1.15); Category II; Exp B; Partially Exp.; Ct=1.10
 - Unbalanced snow loads have been considered for this design.
 - This truss has been designed for greater of min roof live load of 12.0 psf or 1.00 times flat roof load of 15.4 psf on overhangs non-concurrent with other live loads.
 - This truss has been designed for a 10.0 psf bottom chord live load nonconcurrent with any other live loads.
 - * This truss has been designed for a live load of 20.0psf on the bottom chord in all areas where a rectangle 3-6-0 tall by 2-0-0 wide will fit between the bottom chord and any other members, with BCDL = 10.0psf.
 - Provide mechanical connection (by others) of truss to bearing plate capable of withstanding 100 lb uplift at joint(s) 2 except (jt=lb) 17=139.
 - This truss design requires that a minimum of 7/16" structural wood sheathing be applied directly to the top chord and 1/2" gypsum sheetrock be applied directly to the bottom chord.



April 29, 2019

WARNING - Verify design parameters and READ NOTES ON THIS AND INCLUDED MITTEK REFERENCE PAGE MII-7473 rev. 10/03/2015 BEFORE USE.

Design valid for use only with MiTek® connectors. This design is based only upon parameters shown, and is for an individual building component, not a truss system. Before use, the building designer must verify the applicability of design parameters and properly incorporate this design into the overall building design. Bracing indicated is to prevent buckling of individual truss web and/or chord members only. Additional temporary and permanent bracing is always required for stability and to prevent collapse with possible personal injury and property damage. For general guidance regarding the fabrication, storage, delivery, erection and bracing of trusses and truss systems, see **ANSI/TPI1 Quality Criteria, DSB-89 and BCSI Building Component Safety Information** available from Truss Plate Institute, 218 N. Lee Street, Suite 312, Alexandria, VA 22314.

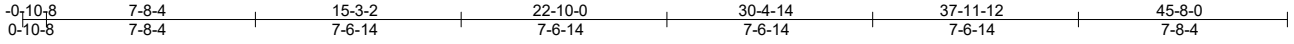


818 Soundside Road
 Edenton, NC 27932

Job Rosemont	Truss A5	Truss Type COMMON	Qty 6	Ply 1	Lamco Custom Homes	E12973931
------------------------	-------------	----------------------	----------	----------	--------------------	-----------

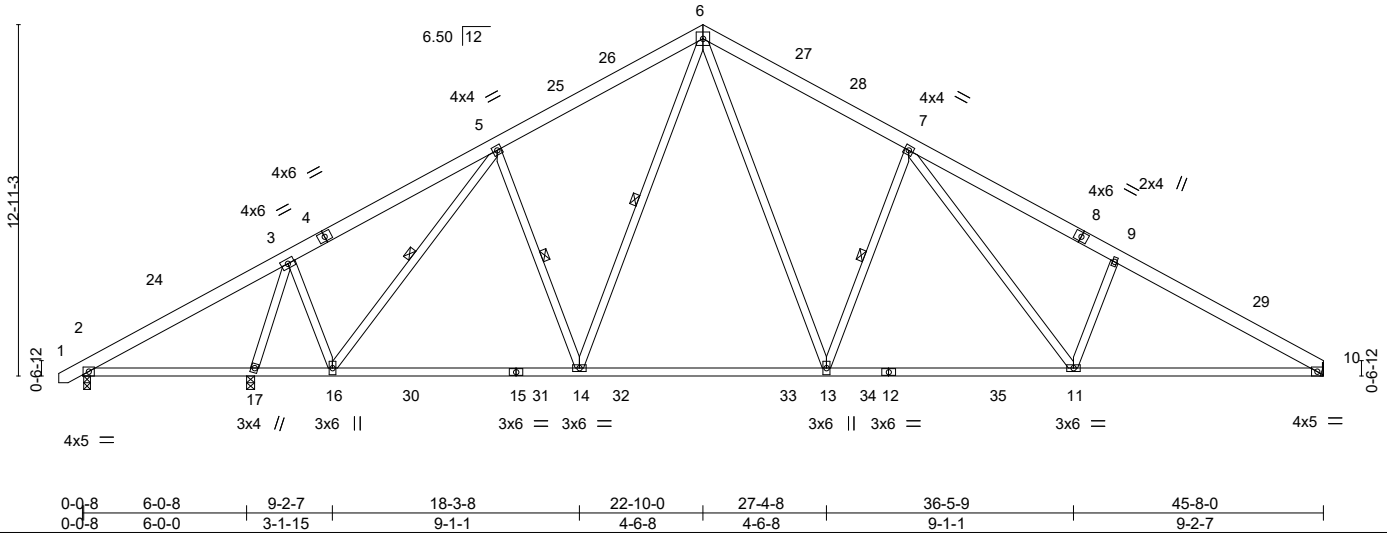
Builders FirstSource, Albemarle, NC 28001

8.220 s Nov 16 2018 MiTek Industries, Inc. Mon Apr 29 07:12:29 2019 Page 1
ID:jJA8O6Mv6xZ6?5VrYW_ggqykJNB-d6ZNWdJpcwTP948b13TnmAfM8y?hESvjLfes0izLwvG



6x6 =

Scale = 1:84.8



LOADING (psf)	SPACING-	CSI.	DEFL.	PLATES	GRIP
TCLL (roof) 20.0	2-0-0	TC 0.40	in (loc) l/defl L/d	MT20	244/190
Snow (Pf/Pg) 15.4/20.0	Plate Grip DOL 1.15	BC 0.87	Vert(LL) -0.26 11-13 >999 360		
TCDL 10.0	Lumber DOL 1.15	WB 0.86	Vert(CT) -0.44 11-13 >999 240		
BCLL 0.0 *	Rep Stress Incr YES	Matrix-AS	Horz(CT) 0.09 10 n/a n/a		
BCDL 10.0	Code IRC2015/TPI2014		Wind(LL) 0.05 11 >999 240	Weight: 305 lb	FT = 20%

LUMBER-	BRACING-
TOP CHORD 2x6 SP No.2	TOP CHORD Structural wood sheathing directly applied.
BOT CHORD 2x4 SP No.2 *Except*	BOT CHORD Rigid ceiling directly applied.
12-15: 2x4 SP No.1	WEBS 1 Row at midpt 7-13, 6-14, 5-14, 5-16
WEBS 2x4 SP No.3	

REACTIONS. (lb/size) 2=61/0-3-0, 17=1846/0-3-8, 10=1362/Mechanical
Max Horz 2=170(LC 13)
Max Uplift 2=-87(LC 37)
Max Grav 2=154(LC 34), 17=2186(LC 30), 10=1583(LC 31)

FORCES. (lb) - Max. Comp./Max. Ten. - All forces 250 (lb) or less except when shown.
TOP CHORD 2-3=-42/636, 3-5=-844/156, 5-6=-1602/216, 6-7=-1941/226, 7-9=-2658/193, 9-10=-2777/129
BOT CHORD 2-17=-473/69, 16-17=-67/319, 14-16=0/1350, 13-14=0/1284, 11-13=0/1814, 10-11=-34/2359
WEBS 6-13=-53/1112, 7-13=-738/169, 7-11=-39/714, 9-11=-407/148, 6-14=-41/357, 5-14=-99/285, 5-16=-1077/0, 3-16=0/1162, 3-17=-2258/61

- NOTES-**
- 1) Unbalanced roof live loads have been considered for this design.
 - 2) Wind: ASCE 7-10; Vult=120mph (3-second gust) Vasd=95mph; TCCL=6.0psf; BCDL=6.0psf; h=25ft; Cat. II; Exp B; Enclosed; MWFRS (envelope) and C-C Exterior(2) -0-8-6 to 2-3-10, Interior(1) 2-3-10 to 22-10-0, Exterior(2) 22-10-0 to 25-10-0, Interior(1) 25-10-0 to 45-8-0 zone; cantilever left and right exposed ; porch left exposed; C-C for members and forces & MWFRS for reactions shown; Lumber DOL=1.60 plate grip DOL=1.60
 - 3) TCCL: ASCE 7-10; Pr=20.0 psf (roof live load: Lumber DOL=1.15 Plate DOL=1.15); Pg=20.0 psf (ground snow); Pf=15.4 psf (flat roof snow: Lumber DOL=1.15 Plate DOL=1.15); Category II; Exp B; Partially Exp.; Ct=1.10
 - 4) Unbalanced snow loads have been considered for this design.
 - 5) This truss has been designed for greater of min roof live load of 12.0 psf or 1.00 times flat roof load of 15.4 psf on overhangs non-concurrent with other live loads.
 - 6) This truss has been designed for a 10.0 psf bottom chord live load nonconcurrent with any other live loads.
 - 7) * This truss has been designed for a live load of 20.0psf on the bottom chord in all areas where a rectangle 3-6-0 tall by 2-0-0 wide will fit between the bottom chord and any other members, with BCDL = 10.0psf.
 - 8) Refer to girder(s) for truss to truss connections.
 - 9) Provide mechanical connection (by others) of truss to bearing plate capable of withstanding 100 lb uplift at joint(s) 2.
 - 10) This truss design requires that a minimum of 7/16" structural wood sheathing be applied directly to the top chord and 1/2" gypsum sheetrock be applied directly to the bottom chord.

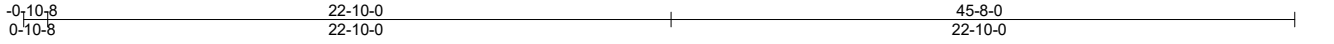


April 29, 2019

Job Rosemont	Truss A6	Truss Type COMMON SUPPORTED GAB	Qty 1	Ply 1	Lamco Custom Homes Job Reference (optional)	E12973932
------------------------	-------------	------------------------------------	----------	----------	--	-----------

Builders FirstSource, Albemarle, NC 28001

8.220 s Nov 16 2018 MiTek Industries, Inc. Mon Apr 29 07:12:31 2019 Page 1
ID:JA806Mv6xZ6?5VrYW_ggqykJNB-ZUh8xIL38Yj7POI_QTWFrknSmtFixk0oz7y4bzLwvE



4x6 =

Scale = 1:84.4

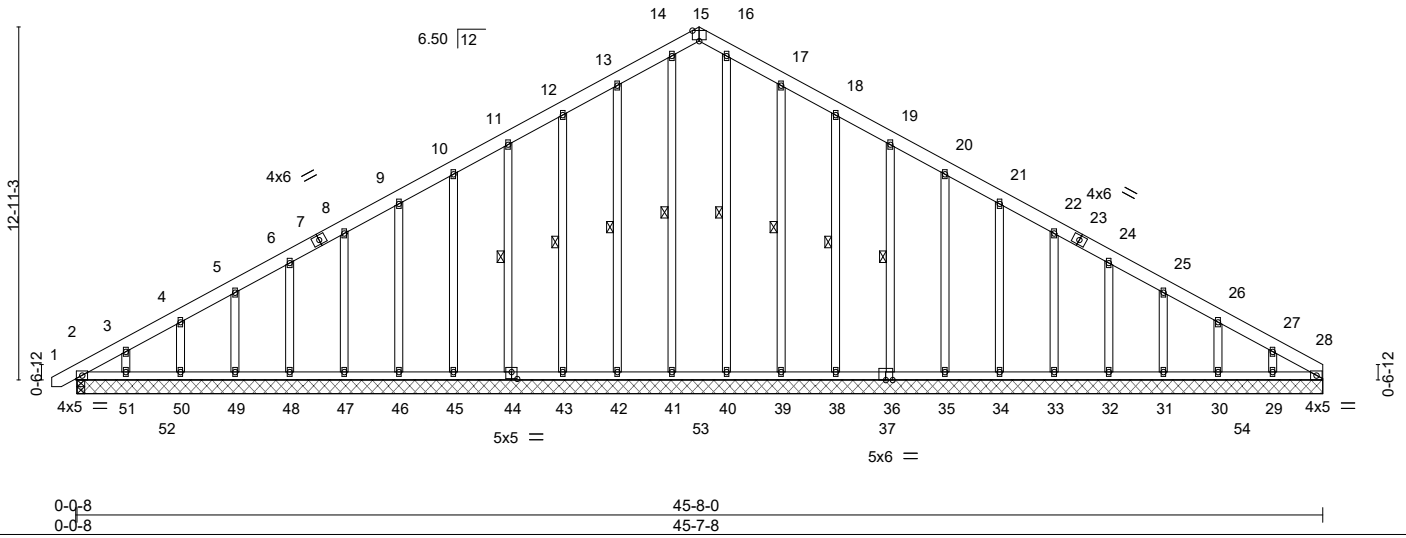


Plate Offsets (X,Y)-- [15:0-3-0,Edge], [36:0-1-12,0-0-0], [37:0-0-0,0-1-12], [44:0-2-8,0-3-0]

LOADING (psf)	SPACING-	CSI.	DEFL.	PLATES	GRIP
TCLL (roof) 20.0	2-0-0	TC 0.09	in (loc) l/defl L/d	MT20	244/190
Snow (Pf/Pg) 15.4/20.0	Plate Grip DOL 1.15	BC 0.03	Vert(LL) -0.00 45 >999 360		
TCDL 10.0	Lumber DOL 1.15	WB 0.13	Vert(CT) -0.00 45 >999 240		
BCLL 0.0 *	Rep Stress Incr YES	Matrix-S	Horz(CT) 0.01 28 n/a n/a		
BCDL 10.0	Code IRC2015/TPI2014		Wind(LL) 0.00 45 >999 240	Weight: 397 lb	FT = 20%

LUMBER-	BRACING-
TOP CHORD 2x6 SP No.2	TOP CHORD Structural wood sheathing directly applied or 6-0-0 oc purlins.
BOT CHORD 2x4 SP No.2	BOT CHORD Rigid ceiling directly applied or 10-0-0 oc bracing.
OTHERS 2x4 SP No.3	WEBS 1 Row at midpt 14-41, 13-42, 12-43, 11-44, 16-40, 17-39, 18-38, 19-36

REACTIONS. All bearings 45-7-8.
 (lb) - Max Horz 2=170(LC 13)
 Max Uplift All uplift 100 lb or less at joint(s) 2, 42, 43, 44, 45, 46, 47, 48, 49, 50, 51, 39, 38, 36, 35, 34, 33, 32, 31, 30, 29, 28
 Max Grav All reactions 250 lb or less at joint(s) 2, 2, 41, 42, 43, 44, 45, 46, 47, 48, 49, 50, 51, 40, 39, 38, 36, 35, 34, 33, 32, 31, 30, 29, 28

FORCES. (lb) - Max. Comp./Max. Ten. - All forces 250 (lb) or less except when shown.
 TOP CHORD 13-14=-235/264, 16-17=-235/264

- NOTES-**
- Unbalanced roof live loads have been considered for this design.
 - Wind: ASCE 7-10; Vult=120mph (3-second gust) Vasd=95mph; TCDL=6.0psf; BCDL=6.0psf; h=25ft; Cat. II; Exp B; Enclosed; MWFRS (envelope) and C-C Corner(3) -0-8-6 to 2-3-10, Exterior(2) 2-3-10 to 22-10-0, Corner(3) 22-10-0 to 25-10-0, Exterior(2) 25-10-0 to 45-8-0 zone; cantilever left and right exposed ;C-C for members and forces & MWFRS for reactions shown; Lumber DOL=1.60 plate grip DOL=1.60
 - Truss designed for wind loads in the plane of the truss only. For studs exposed to wind (normal to the face), see Standard Industry Gable End Details as applicable, or consult qualified building designer as per ANSI/TPI 1.
 - TCLL: ASCE 7-10; Pr=20.0 psf (roof live load); Lumber DOL=1.15 Plate DOL=1.15; Pg=20.0 psf (ground snow); Pf=15.4 psf (flat roof snow); Lumber DOL=1.15 Plate DOL=1.15; Category II; Exp B; Partially Exp.; Ct=1.10
 - Unbalanced snow loads have been considered for this design.
 - This truss has been designed for greater of min roof live load of 12.0 psf or 1.00 times flat roof load of 15.4 psf on overhangs non-concurrent with other live loads.
 - All plates are 2x4 MT20 unless otherwise indicated.
 - Gable studs spaced at 2-0-0 oc.
 - This truss has been designed for a 10.0 psf bottom chord live load nonconcurrent with any other live loads.
 - * This truss has been designed for a live load of 20.0psf on the bottom chord in all areas where a rectangle 3-6-0 tall by 2-0-0 wide will fit between the bottom chord and any other members.
 - Provide mechanical connection (by others) of truss to bearing plate capable of withstanding 100 lb uplift at joint(s) 2, 42, 43, 44, 45, 46, 47, 48, 49, 50, 51, 39, 38, 36, 35, 34, 33, 32, 31, 30, 29, 28.



April 29, 2019

WARNING - Verify design parameters and READ NOTES ON THIS AND INCLUDED MITTEK REFERENCE PAGE MII-7473 rev. 10/03/2015 BEFORE USE.
 Design valid for use only with MiTek® connectors. This design is based only upon parameters shown, and is for an individual building component, not a truss system. Before use, the building designer must verify the applicability of design parameters and properly incorporate this design into the overall building design. Bracing indicated is to prevent buckling of individual truss web and/or chord members only. Additional temporary and permanent bracing is always required for stability and to prevent collapse with possible personal injury and property damage. For general guidance regarding the fabrication, storage, delivery, erection and bracing of trusses and truss systems, see **ANSI/TPI1 Quality Criteria, DSB-89 and BCSI Building Component Safety Information** available from Truss Plate Institute, 218 N. Lee Street, Suite 312, Alexandria, VA 22314.



818 Soundside Road
Edenton, NC 27932

Job Rosemont	Truss C1	Truss Type COMMON STRUCTURAL GA	Qty 1	Ply 1	Lamco Custom Homes	E12973934
------------------------	-------------	------------------------------------	----------	----------	--------------------	-----------

Builders FirstSource, Albemarle, NC 28001

8.220 s Nov 16 2018 MiTek Industries, Inc. Mon Apr 29 07:12:34 2019 Page 1
ID:JA8O6Mv6xZ6?5VrYW_ggqykJNB-z3NGZKNxQT5iGr1Z5c3yTEMA9zp3vqZSVxMdhwzLwvB

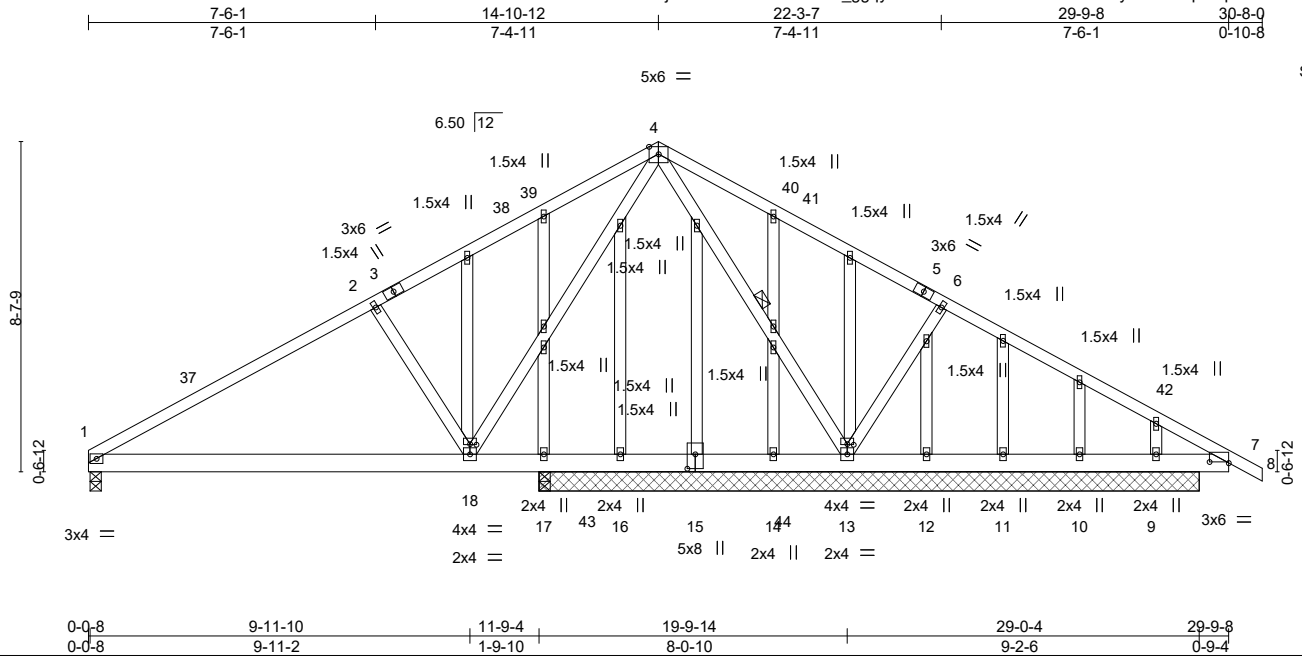


Plate Offsets (X,Y)--	[7:0-6-0,0-0-6], [13:0-2-0,0-0-4], [15:0-4-8,0-2-8], [18:0-2-0,0-0-4]
-----------------------	---

LOADING (psf)	SPACING-	CSI.	DEFL.	PLATES	GRIP
TCLL (roof) 20.0	2-0-0	TC 0.57	in (loc) l/defl L/d	MT20	244/190
Snow (Pf/Pg) 15.4/20.0	Plate Grip DOL 1.15	BC 0.41	Vert(LL) -0.07 18-33 >999 360		
TCDL 10.0	Lumber DOL 1.15	WB 0.38	Vert(CT) -0.17 18-33 >844 240		
BCLL 0.0 *	Rep Stress Incr YES	Matrix-AS	Horz(CT) 0.01 13 n/a n/a		
BCDL 10.0	Code IRC2015/TPI2014		Wind(LL) 0.04 18-33 >999 240	Weight: 228 lb	FT = 20%

LUMBER-	BRACING-
TOP CHORD 2x4 SP No.2	TOP CHORD Structural wood sheathing directly applied.
BOT CHORD 2x6 SP No.2	BOT CHORD Rigid ceiling directly applied.
WEBS 2x4 SP No.2	WEBS 1 Row at midpt 4-13
OTHERS 2x4 SP No.3	

REACTIONS. All bearings 17-3-0 except (jt=length) 1=0-3-8.
 (lb) - Max Horz 1=-113(LC 14)
 Max Uplift All uplift 100 lb or less at joint(s) 13, 16, 17, 9 except 10=-131(LC 35)
 Max Grav All reactions 250 lb or less at joint(s) 16, 17, 17, 14, 12, 11, 10 except 1=669(LC 34), 13=1133(LC 2), 9=443(LC 35)

FORCES. (lb) - Max. Comp./Max. Ten. - All forces 250 (lb) or less except when shown.
 TOP CHORD 1-2=-895/80, 2-4=-673/115, 4-6=0/409
 BOT CHORD 1-18=-8/714
 WEBS 4-13=-895/69, 6-13=-416/150, 4-18=-1/554, 2-18=-439/148

- NOTES-**
- Unbalanced roof live loads have been considered for this design.
 - Wind: ASCE 7-10; Vult=120mph (3-second gust) Vasd=95mph; TCDL=6.0psf; BCDL=6.0psf; h=25ft; Cat. II; Exp B; Enclosed; MWFRS (envelope) and C-C Exterior(2) 0-0-0 to 3-0-0, Interior(1) 3-0-0 to 14-10-12, Exterior(2) 14-10-12 to 17-10-12, Interior(1) 17-10-12 to 30-8-0 zone; cantilever left and right exposed ;C-C for members and forces & MWFRS for reactions shown; Lumber DOL=1.60 plate grip DOL=1.60
 - Truss designed for wind loads in the plane of the truss only. For studs exposed to wind (normal to the face), see Standard Industry Gable End Details as applicable, or consult qualified building designer as per ANSI/TPI 1.
 - TCLL: ASCE 7-10; Pr=20.0 psf (roof live load: Lumber DOL=1.15 Plate DOL=1.15); Pg=20.0 psf (ground snow); Pf=15.4 psf (flat roof snow: Lumber DOL=1.15 Plate DOL=1.15); Category II; Exp B; Partially Exp.; Ct=1.10
 - Unbalanced snow loads have been considered for this design.
 - This truss has been designed for greater of min roof live load of 12.0 psf or 1.00 times flat roof load of 15.4 psf on overhangs non-concurrent with other live loads.
 - Gable studs spaced at 2-0-0 oc.
 - This truss has been designed for a 10.0 psf bottom chord live load nonconcurrent with any other live loads.
 - * This truss has been designed for a live load of 20.0psf on the bottom chord in all areas where a rectangle 3-6-0 tall by 2-0-0 wide will fit between the bottom chord and any other members, with BCDL = 10.0psf.
 - Provide mechanical connection (by others) of truss to bearing plate capable of withstanding 100 lb uplift at joint(s) 13, 16, 17, 9 except (jt=lb) 10=131.
 - This truss design requires that a minimum of 7/16" structural wood sheathing be applied directly to the top chord and 1/2" gypsum sheetrock be applied directly to the bottom chord.



April 29, 2019

WARNING - Verify design parameters and READ NOTES ON THIS AND INCLUDED MITTEK REFERENCE PAGE MII-7473 rev. 10/03/2015 BEFORE USE.

Design valid for use only with MiTek® connectors. This design is based only upon parameters shown, and is for an individual building component, not a truss system. Before use, the building designer must verify the applicability of design parameters and properly incorporate this design into the overall building design. Bracing indicated is to prevent buckling of individual truss web and/or chord members only. Additional temporary and permanent bracing is always required for stability and to prevent collapse with possible personal injury and property damage. For general guidance regarding the fabrication, storage, delivery, erection and bracing of trusses and truss systems, see **ANSI/TPI1 Quality Criteria, DSB-89 and BCSI Building Component Safety Information** available from Truss Plate Institute, 218 N. Lee Street, Suite 312, Alexandria, VA 22314.



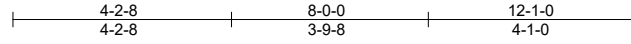
818 Soundside Road
Edenton, NC 27932

Job Rosemont	Truss C2	Truss Type Monopitch Girder	Qty 1	Ply 2	Lamco Custom Homes Job Reference (optional)	E12973935
------------------------	-------------	--------------------------------	----------	-----------------	--	-----------

Builders FirstSource, Albemarle, NC 28001

8.220 s Nov 16 2018 MiTek Industries, Inc. Mon Apr 29 07:12:36 2019 Page 1

ID:JJA8O6Mv6xZ6?5VrYW_ggqykJNB-wSU1_0PCy4LQV9AyC15QYfRZJnVTNdulyFrjmozLwv9



Scale = 1:44.4

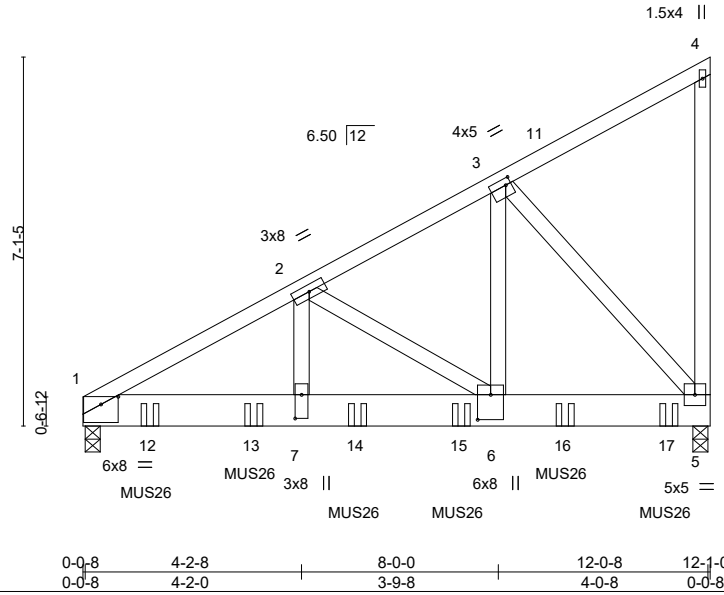


Plate Offsets (X,Y)-- [1:0-4-0,0-1-13], [3:0-1-4,0-1-8], [6:0-5-12,0-3-0], [7:0-5-8,0-1-8]

LOADING (psf)	SPACING-	CSI.	DEFL.	in (loc)	l/defl	L/d	PLATES	GRIP
TCLL (roof) 20.0	2-0-0	TC 0.34	Vert(LL)	-0.05	6-7	>999	MT20	244/190
Snow (Pf/Pg) 15.4/20.0	Plate Grip DOL 1.15	BC 0.35	Vert(CT)	-0.10	6-7	>999		
TCDL 10.0	Lumber DOL 1.15	WB 0.78	Horz(CT)	0.02	5	n/a		
BCLL 0.0 *	Rep Stress Incr NO	Matrix-MS	Wind(LL)	-0.00	7	>999		
BCDL 10.0	Code IRC2015/TPI2014						Weight: 180 lb	FT = 20%

LUMBER-
TOP CHORD 2x4 SP No.2
BOT CHORD 2x8 SP DSS
WEBS 2x4 SP No.3 *Except*
3-6: 2x4 SP No.2

BRACING-
TOP CHORD Structural wood sheathing directly applied or 4-6-15 oc purlins, except end verticals.
BOT CHORD Rigid ceiling directly applied or 10-0-0 oc bracing.

REACTIONS. (lb/size) 1=4251/0-3-8, 5=4693/0-3-8
Max Horz 1=148(LC 12)
Max Grav 1=4789(LC 2), 5=5286(LC 2)

FORCES. (lb) - Max. Comp./Max. Ten. - All forces 250 (lb) or less except when shown.
TOP CHORD 1-2=-6745/0, 2-3=-3682/0
BOT CHORD 1-7=0/5901, 6-7=0/5901, 5-6=0/3207
WEBS 2-7=0/2933, 2-6=-3180/0, 3-6=0/5058, 3-5=-4805/0

NOTES-

- 2-ply truss to be connected together with 10d (0.131"x3") nails as follows:
Top chords connected as follows: 2x4 - 1 row at 0-9-0 oc.
Bottom chords connected as follows: 2x8 - 2 rows staggered at 0-5-0 oc.
Webs connected as follows: 2x4 - 1 row at 0-9-0 oc.
- All loads are considered equally applied to all plies, except if noted as front (F) or back (B) face in the LOAD CASE(S) section. Ply to ply connections have been provided to distribute only loads noted as (F) or (B), unless otherwise indicated.
- Wind: ASCE 7-10; Vult=120mph (3-second gust) Vasd=95mph; TCDL=6.0psf; BCDL=6.0psf; h=25ft; Cat. II; Exp B; Enclosed; MWFRS (envelope); cantilever left and right exposed; Lumber DOL=1.60 plate grip DOL=1.60
- TCLL: ASCE 7-10; Pr=20.0 psf (roof live load: Lumber DOL=1.15 Plate DOL=1.15); Pg=20.0 psf (ground snow); Pf=15.4 psf (flat roof snow: Lumber DOL=1.15 Plate DOL=1.15); Category II; Exp B; Partially Exp.; Ct=1.10
- Unbalanced snow loads have been considered for this design.
- This truss has been designed for a 10.0 psf bottom chord live load nonconcurrent with any other live loads.
- * This truss has been designed for a live load of 20.0psf on the bottom chord in all areas where a rectangle 3-6-0 tall by 2-0-0 wide will fit between the bottom chord and any other members.
- Use Simpson Strong-Tie MUS26 (6-10d Girder, 6-10d Truss) or equivalent spaced at 2-0-0 oc max. starting at 1-3-8 from the left end to 11-3-8 to connect truss(es) to back face of bottom chord.
- Fill all nail holes where hanger is in contact with lumber.

LOAD CASE(S) Standard

- Dead + Snow (balanced): Lumber Increase=1.15, Plate Increase=1.15
Uniform Loads (plf)
Vert: 1-4=-51, 5-8=-20
Concentrated Loads (lb)
Vert: 12=-1349(B) 13=-1349(B) 14=-1349(B) 15=-1349(B) 16=-1349(B) 17=-1353(B)



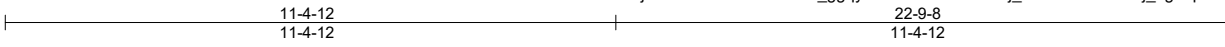
April 29, 2019

WARNING - Verify design parameters and READ NOTES ON THIS AND INCLUDED MITEK REFERENCE PAGE MII-7473 rev. 10/03/2015 BEFORE USE.
Design valid for use only with MiTek® connectors. This design is based only upon parameters shown, and is for an individual building component, not a truss system. Before use, the building designer must verify the applicability of design parameters and properly incorporate this design into the overall building design. Bracing indicated is to prevent buckling of individual truss web and/or chord members only. Additional temporary and permanent bracing is always required for stability and to prevent collapse with possible personal injury and property damage. For general guidance regarding the fabrication, storage, delivery, erection and bracing of trusses and truss systems, see **ANSI/TPI1 Quality Criteria, DSB-89 and BCSI Building Component Safety Information** available from Truss Plate Institute, 218 N. Lee Street, Suite 312, Alexandria, VA 22314.

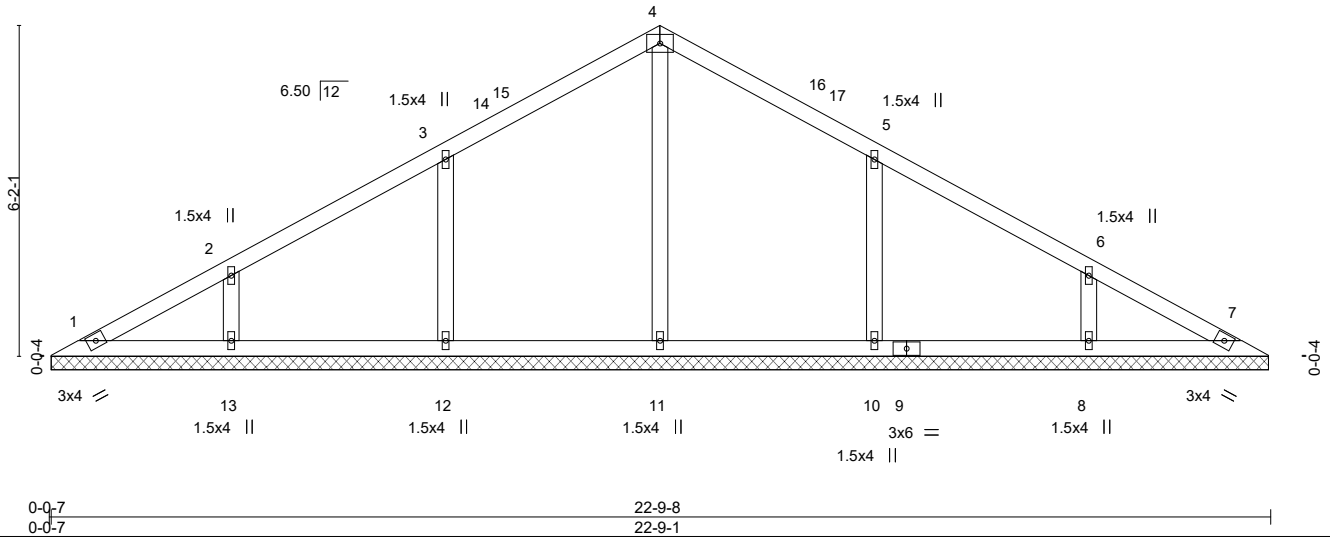
ENGINEERING BY
TRENCO
AMERICAN MADE
818 Soundside Road
Edenton, NC 27932

Job Rosemont	Truss V2	Truss Type Valley	Qty 1	Ply 1	Lamco Custom Homes	E12973937
Builders FirstSource, Albemarle, NC 28001					Job Reference (optional)	

8.220 s Nov 16 2018 MiTek Industries, Inc. Mon Apr 29 07:12:39 2019 Page 1
 ID:JA8O6Mv6xZ6?5VrYW_ggqykJNB-K1A9c1R4F?j_McvWu9f7AH36j_aga9pCeD3NM7zLwv6



Scale = 1:43.0



LOADING (psf)	SPACING-	CSI.	DEFL.	PLATES	GRIP
TCLL (roof) 20.0	2-0-0	TC 0.20	in (loc) l/defl L/d	MT20	244/190
Snow (Pf/Pg) 15.4/20.0	Plate Grip DOL 1.15	BC 0.19	Vert(LL) n/a - n/a 999		
TCDL 10.0	Lumber DOL 1.15	WB 0.13	Vert(CT) n/a - n/a 999		
BCLL 0.0 *	Rep Stress Incr YES	Matrix-S	Horz(CT) 0.00 7 n/a n/a		
BCDL 10.0	Code IRC2015/TPI2014			Weight: 93 lb	FT = 20%

LUMBER-	BRACING-
TOP CHORD 2x4 SP No.2	TOP CHORD Structural wood sheathing directly applied or 6-0-0 oc purlins.
BOT CHORD 2x4 SP No.2	BOT CHORD Rigid ceiling directly applied or 10-0-0 oc bracing.
OTHERS 2x4 SP No.3	

REACTIONS. All bearings 22-8-9.
 (lb) - Max Horz 1=-78(LC 12)
 Max Uplift All uplift 100 lb or less at joint(s) 12, 13, 10, 8
 Max Grav All reactions 250 lb or less at joint(s) 1, 7 except 11=383(LC 29), 12=384(LC 29), 13=298(LC 2), 10=384(LC 30), 8=298(LC 2)

FORCES. (lb) - Max. Comp./Max. Ten. - All forces 250 (lb) or less except when shown.
 WEBS 3-12=-265/102, 5-10=-265/102

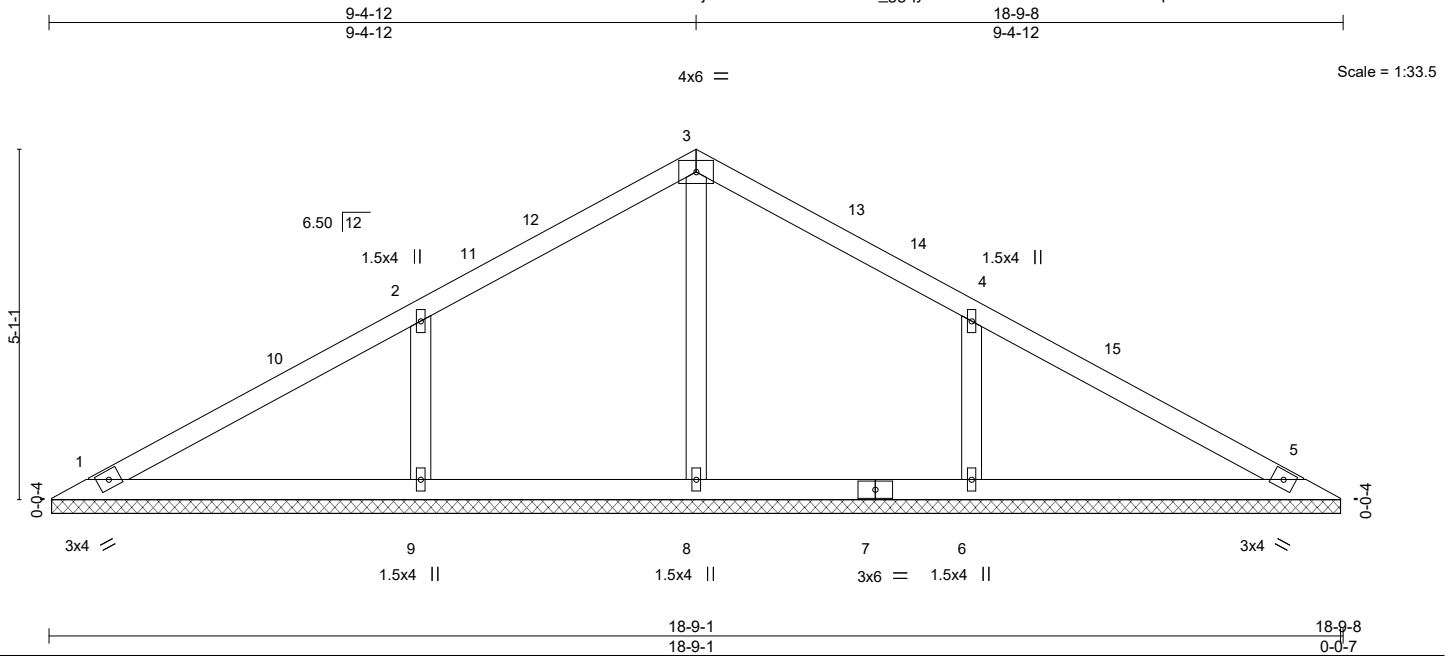
- NOTES-**
- Unbalanced roof live loads have been considered for this design.
 - Wind: ASCE 7-10; Vult=120mph (3-second gust) Vasd=95mph; TCCL=6.0psf; BCDL=6.0psf; h=25ft; Cat. II; Exp B; Enclosed; MWFRS (envelope) and C-C Exterior(2) 0-7-0 to 3-4-12, Interior(1) 3-4-12 to 11-4-12, Exterior(2) 11-4-12 to 14-4-12, Interior(1) 14-4-12 to 22-2-8 zone; cantilever left and right exposed ;C-C for members and forces & MWFRS for reactions shown; Lumber DOL=1.60 plate grip DOL=1.60
 - TCLL: ASCE 7-10; Pr=20.0 psf (roof live load: Lumber DOL=1.15 Plate DOL=1.15); Pg=20.0 psf (ground snow); Pf=15.4 psf (flat roof snow: Lumber DOL=1.15 Plate DOL=1.15); Category II; Exp B; Partially Exp.; Ct=1.10
 - Unbalanced snow loads have been considered for this design.
 - Gable requires continuous bottom chord bearing.
 - This truss has been designed for a 10.0 psf bottom chord live load nonconcurrent with any other live loads.
 - * This truss has been designed for a live load of 20.0psf on the bottom chord in all areas where a rectangle 3-6-0 tall by 2-0-0 wide will fit between the bottom chord and any other members, with BCDL = 10.0psf.
 - Provide mechanical connection (by others) of truss to bearing plate capable of withstanding 100 lb uplift at joint(s) 12, 13, 10, 8.



Job Rosemont	Truss V3	Truss Type Valley	Qty 1	Ply 1	Lamco Custom Homes Job Reference (optional)	E12973938
------------------------	-------------	----------------------	----------	----------	--	-----------

Builders FirstSource, Albemarle, NC 28001

8.220 s Nov 16 2018 MiTek Industries, Inc. Mon Apr 29 07:12:42 2019 Page 1
ID:JA8O6Mv6xZ6?5VrYW_ggqykJNB-kcsIE3TzYw5ZD4e5ZHCqowhcNCcSnWMeKBI2zSzlWv3



LOADING (psf)	SPACING-	CSI.	DEFL.	PLATES	GRIP
TCLL (roof) 20.0	2-0-0	TC 0.30	in (loc) l/defl L/d	MT20	244/190
Snow (Pf/Pg) 15.4/20.0	Plate Grip DOL 1.15	BC 0.18	Vert(LL) n/a - n/a 999		
TCDL 10.0	Lumber DOL 1.15	WB 0.08	Vert(CT) n/a - n/a 999		
BCLL 0.0 *	Rep Stress Incr YES	Matrix-S	Horz(CT) 0.00 5 n/a n/a		
BCDL 10.0	Code IRC2015/TPI2014			Weight: 71 lb	FT = 20%

LUMBER-	BRACING-
TOP CHORD 2x4 SP No.2	TOP CHORD Structural wood sheathing directly applied or 6-0-0 oc purlins.
BOT CHORD 2x4 SP No.2	BOT CHORD Rigid ceiling directly applied or 10-0-0 oc bracing.
OTHERS 2x4 SP No.3	

REACTIONS. All bearings 18-8-9.
(lb) - Max Horz 1=64(LC 13)
Max Uplift All uplift 100 lb or less at joint(s) 9, 6
Max Grav All reactions 250 lb or less at joint(s) 1, 5, 8 except 9=431(LC 33), 6=431(LC 34)

FORCES. (lb) - Max. Comp./Max. Ten. - All forces 250 (lb) or less except when shown.
WEBS 2-9=-318/118, 4-6=-318/118

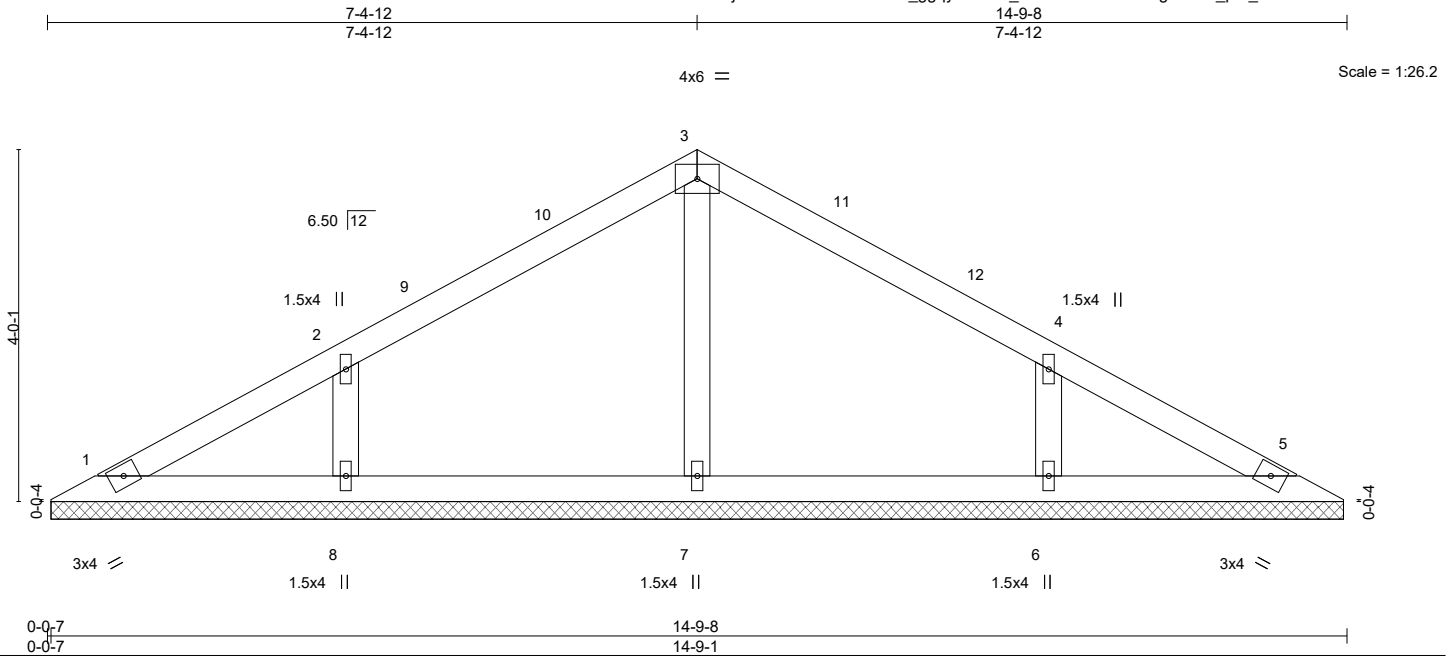
- NOTES-**
- Unbalanced roof live loads have been considered for this design.
 - Wind: ASCE 7-10; Vult=120mph (3-second gust) Vasd=95mph; TCCL=6.0psf; BCDL=6.0psf; h=25ft; Cat. II; Exp B; Enclosed; MWFRS (envelope) and C-C Exterior(2) 0-7-0 to 3-7-0, Interior(1) 3-7-0 to 9-4-12, Exterior(2) 9-4-12 to 12-4-12, Interior(1) 12-4-12 to 18-2-8 zone; cantilever left and right exposed ;C-C for members and forces & MWFRS for reactions shown; Lumber DOL=1.60 plate grip DOL=1.60
 - TCLL: ASCE 7-10; Pr=20.0 psf (roof live load: Lumber DOL=1.15 Plate DOL=1.15); Pg=20.0 psf (ground snow); Pf=15.4 psf (flat roof snow: Lumber DOL=1.15 Plate DOL=1.15); Category II; Exp B; Partially Exp.; Ct=1.10
 - Unbalanced snow loads have been considered for this design.
 - Gable requires continuous bottom chord bearing.
 - This truss has been designed for a 10.0 psf bottom chord live load nonconcurrent with any other live loads.
 - * This truss has been designed for a live load of 20.0psf on the bottom chord in all areas where a rectangle 3-6-0 tall by 2-0-0 wide will fit between the bottom chord and any other members.
 - Provide mechanical connection (by others) of truss to bearing plate capable of withstanding 100 lb uplift at joint(s) 9, 6.



Job Rosemont	Truss V4	Truss Type Valley	Qty 1	Ply 1	Lamco Custom Homes Job Reference (optional)	E12973939
------------------------	-------------	----------------------	----------	----------	--	-----------

Builders FirstSource, Albemarle, NC 28001

8.220 s Nov 16 2018 MiTek Industries, Inc. Mon Apr 29 07:12:44 2019 Page 1
ID:JA8O6Mv6xZ6?5VrYW_ggqykJNB-h_z2f1VD4XMHSNoUgiEItLm_p?l_FR5xoVn82LzLwv1



LOADING (psf)	SPACING-	CSI.	DEFL.	PLATES	GRIP
TCLL (roof) 20.0	2-0-0	TC 0.18	in (loc) l/defl L/d	MT20	244/190
Snow (Pf/Pg) 15.4/20.0	Plate Grip DOL 1.15	BC 0.12	Vert(LL) n/a - n/a 999		
TCDL 10.0	Lumber DOL 1.15	WB 0.06	Vert(CT) n/a - n/a 999		
BCLL 0.0 *	Rep Stress Incr YES	Matrix-S	Horz(CT) 0.00 5 n/a n/a		
BCDL 10.0	Code IRC2015/TPI2014			Weight: 54 lb	FT = 20%

LUMBER-
TOP CHORD 2x4 SP No.2
BOT CHORD 2x4 SP No.2
OTHERS 2x4 SP No.3

BRACING-
TOP CHORD Structural wood sheathing directly applied or 6'-0-0 oc purlins.
BOT CHORD Rigid ceiling directly applied or 10'-0-0 oc bracing.

REACTIONS. All bearings 14-8-9.
(lb) - Max Horz 1=49(LC 12)
Max Uplift All uplift 100 lb or less at joint(s) 8, 6
Max Grav All reactions 250 lb or less at joint(s) 1, 5 except 7=276(LC 2), 8=324(LC 33), 6=324(LC 34)

FORCES. (lb) - Max. Comp./Max. Ten. - All forces 250 (lb) or less except when shown.

- NOTES-**
- Unbalanced roof live loads have been considered for this design.
 - Wind: ASCE 7-10; Vult=120mph (3-second gust) Vasd=95mph; TCDL=6.0psf; BCDL=6.0psf; h=25ft; Cat. II; Exp B; Enclosed; MWFRS (envelope) and C-C Exterior(2) 0-7-0 to 3-4-12, Interior(1) 3-4-12 to 7-4-12, Exterior(2) 7-4-12 to 10-4-12, Interior(1) 10-4-12 to 14-2-8 zone; cantilever left and right exposed ;C-C for members and forces & MWFRS for reactions shown; Lumber DOL=1.60 plate grip DOL=1.60
 - TCLL: ASCE 7-10; Pr=20.0 psf (roof live load: Lumber DOL=1.15 Plate DOL=1.15); Pg=20.0 psf (ground snow); Pf=15.4 psf (flat roof snow: Lumber DOL=1.15 Plate DOL=1.15); Category II; Exp B; Partially Exp.; Ct=1.10
 - Unbalanced snow loads have been considered for this design.
 - Gable requires continuous bottom chord bearing.
 - This truss has been designed for a 10.0 psf bottom chord live load nonconcurrent with any other live loads.
 - * This truss has been designed for a live load of 20.0psf on the bottom chord in all areas where a rectangle 3'-6-0 tall by 2'-0-0 wide will fit between the bottom chord and any other members.
 - Provide mechanical connection (by others) of truss to bearing plate capable of withstanding 100 lb uplift at joint(s) 8, 6.



April 29, 2019

WARNING - Verify design parameters and READ NOTES ON THIS AND INCLUDED MITEK REFERENCE PAGE MII-7473 rev. 10/03/2015 BEFORE USE.
Design valid for use only with MiTek® connectors. This design is based only upon parameters shown, and is for an individual building component, not a truss system. Before use, the building designer must verify the applicability of design parameters and properly incorporate this design into the overall building design. Bracing indicated is to prevent buckling of individual truss web and/or chord members only. Additional temporary and permanent bracing is always required for stability and to prevent collapse with possible personal injury and property damage. For general guidance regarding the fabrication, storage, delivery, erection and bracing of trusses and truss systems, see **ANSI/TPI1 Quality Criteria, DSB-89 and BCSI Building Component Safety Information** available from Truss Plate Institute, 218 N. Lee Street, Suite 312, Alexandria, VA 22314.

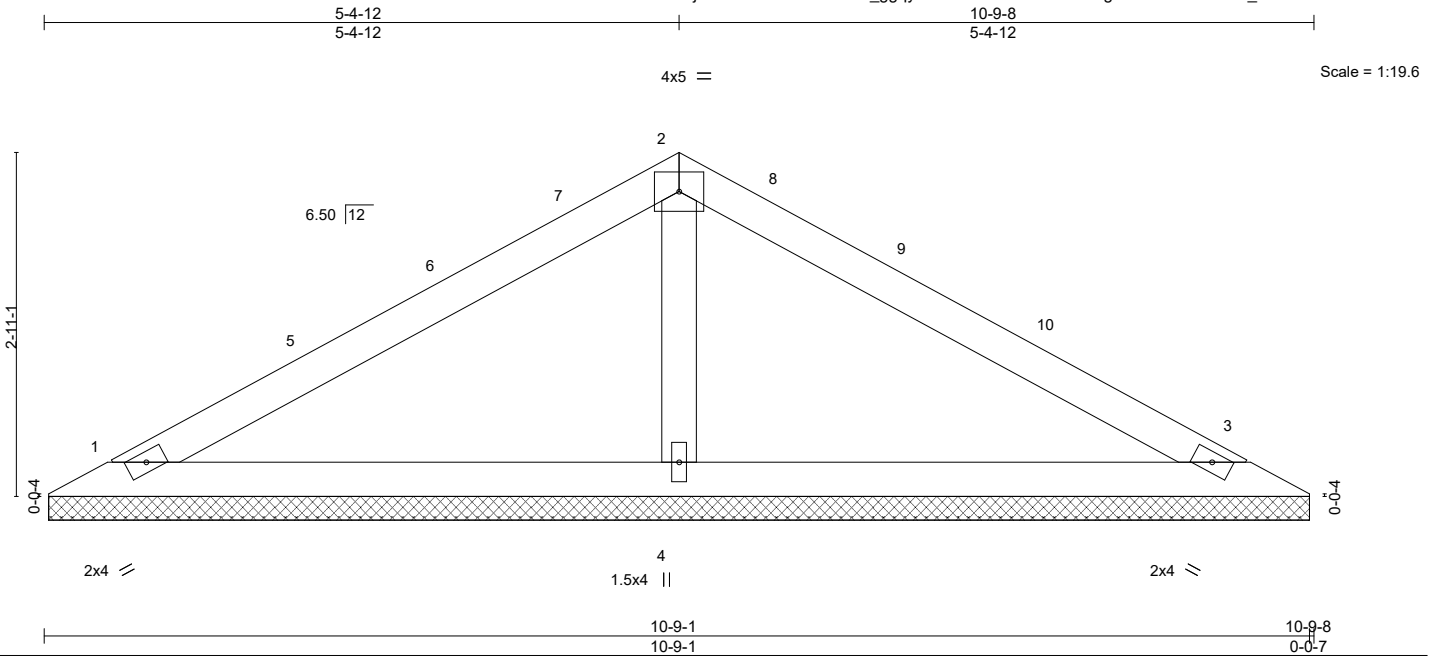


818 Soundside Road
Edenton, NC 27932

Job Rosemont	Truss V5	Truss Type Valley	Qty 1	Ply 1	Lamco Custom Homes Job Reference (optional)	E12973940
------------------------	-------------	----------------------	----------	----------	--	-----------

Builders FirstSource, Albemarle, NC 28001

8.220 s Nov 16 2018 MiTek Industries, Inc. Mon Apr 29 07:12:45 2019 Page 1
ID:jJA8O6Mv6xZ675VrYW_ggqykJNB-9BXQt5VrrrU84XMgEQmXQYJ6APcQ_ul419WianzLwv0



LOADING (psf)	SPACING-	CSI.	DEFL.	PLATES	GRIP
TCLL (roof) 20.0	2-0-0	TC 0.33	in (loc) l/defl L/d	MT20	244/190
Snow (Pf/Pg) 15.4/20.0	Plate Grip DOL 1.15	BC 0.23	Vert(LL) n/a - n/a 999		
TCDL 10.0	Lumber DOL 1.15	WB 0.06	Vert(CT) n/a - n/a 999		
BCLL 0.0 *	Rep Stress Incr YES	Matrix-S	Horz(CT) 0.00 3 n/a n/a		
BCDL 10.0	Code IRC2015/TPI2014			Weight: 36 lb	FT = 20%

LUMBER-	BRACING-
TOP CHORD 2x4 SP No.2	TOP CHORD Structural wood sheathing directly applied or 6-0-0 oc purlins.
BOT CHORD 2x4 SP No.2	BOT CHORD Rigid ceiling directly applied or 10-0-0 oc bracing.
OTHERS 2x4 SP No.3	

REACTIONS. (lb/size) 1=157/10-8-9, 3=157/10-8-9, 4=367/10-8-9
 Max Horz 1=-35(LC 12)
 Max Uplift 1=-1(LC 16), 3=-6(LC 17)
 Max Grav 1=180(LC 33), 3=180(LC 34), 4=413(LC 2)

FORCES. (lb) - Max. Comp./Max. Ten. - All forces 250 (lb) or less except when shown.
 WEBS 2-4=-271/70

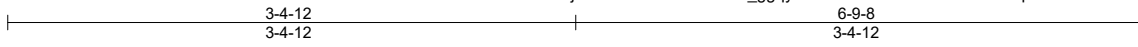
- NOTES-**
- Unbalanced roof live loads have been considered for this design.
 - Wind: ASCE 7-10; Vult=120mph (3-second gust) Vasd=95mph; TCCL=6.0psf; BCDL=6.0psf; h=25ft; Cat. II; Exp B; Enclosed; MWFRS (envelope) and C-C Exterior(2) 0-7-0 to 3-7-0, Interior(1) 3-7-0 to 5-4-12, Exterior(2) 5-4-12 to 8-4-12, Interior(1) 8-4-12 to 10-2-8 zone; cantilever left and right exposed ;C-C for members and forces & MWFRS for reactions shown; Lumber DOL=1.60 plate grip DOL=1.60
 - TCLL: ASCE 7-10; Pr=20.0 psf (roof live load: Lumber DOL=1.15 Plate DOL=1.15); Pg=20.0 psf (ground snow); Pf=15.4 psf (flat roof snow: Lumber DOL=1.15 Plate DOL=1.15); Category II; Exp B; Partially Exp.; Ct=1.10
 - Unbalanced snow loads have been considered for this design.
 - Gable requires continuous bottom chord bearing.
 - This truss has been designed for a 10.0 psf bottom chord live load nonconcurrent with any other live loads.
 - * This truss has been designed for a live load of 20.0psf on the bottom chord in all areas where a rectangle 3-6-0 tall by 2-0-0 wide will fit between the bottom chord and any other members.
 - Provide mechanical connection (by others) of truss to bearing plate capable of withstanding 100 lb uplift at joint(s) 1, 3.



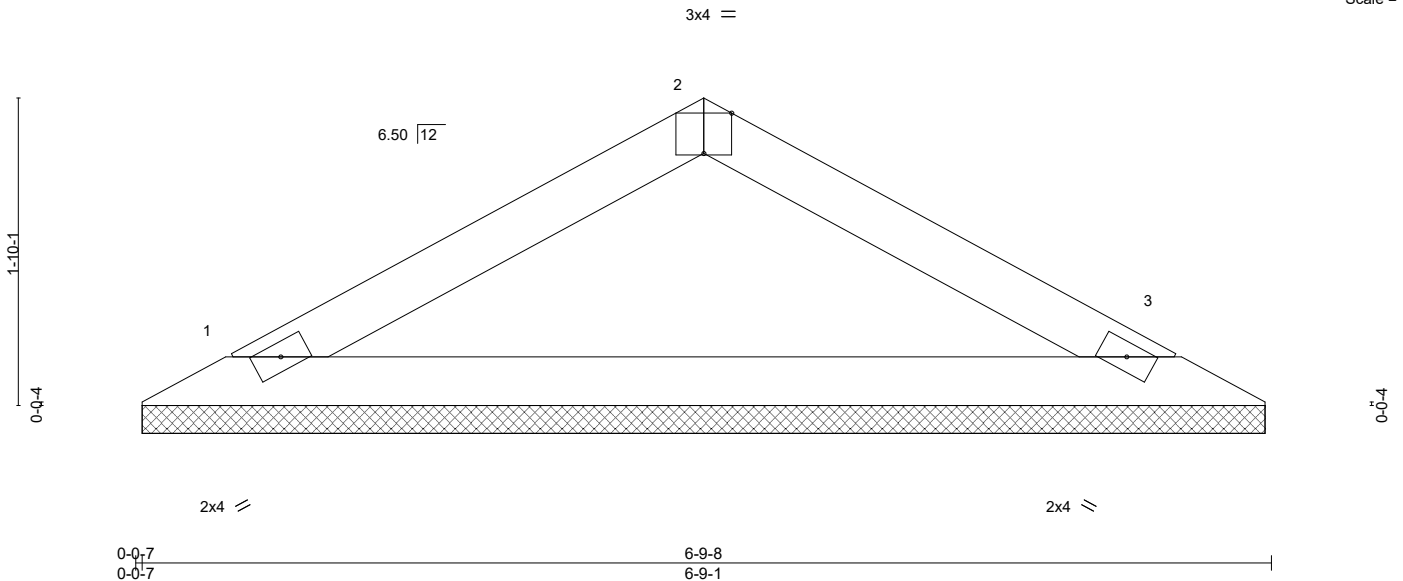
Job Rosemont	Truss V6	Truss Type Valley	Qty 1	Ply 1	Lamco Custom Homes Job Reference (optional)	E12973941
------------------------	-------------	----------------------	----------	----------	--	-----------

Builders FirstSource, Albemarle, NC 28001

8.220 s Nov 16 2018 MiTek Industries, Inc. Mon Apr 29 07:12:47 2019 Page 1
ID:JJA8O6Mv6xZ6?5VrYW_ggqykJNB-5ZfBHmX5MSksJrW3Mqo?VzOVaDF2SomNUS?pefzLw_



Scale = 1:13.8



LOADING (psf)		SPACING-		CSI.		DEFL.				PLATES	GRIP	
TCLL (roof)	20.0	Plate Grip DOL	1.15	TC	0.14	Vert(LL)	n/a	-	n/a	999	MT20	244/190
Snow (Pf/Pg)	15.4/20.0	Lumber DOL	1.15	BC	0.41	Vert(CT)	n/a	-	n/a	999		
TCDL	10.0	Rep Stress Incr	YES	WB	0.00	Horz(CT)	0.00	3	n/a	n/a		
BCLL	0.0 *	Code	IRC2015/TPI2014	Matrix-P							Weight: 20 lb	FT = 20%
BCDL	10.0											

LUMBER-
TOP CHORD 2x4 SP No.2
BOT CHORD 2x4 SP No.2

BRACING-
TOP CHORD Structural wood sheathing directly applied or 6-0-0 oc purlins.
BOT CHORD Rigid ceiling directly applied or 10-0-0 oc bracing.

REACTIONS. (lb/size) 1=199/6-8-9, 3=199/6-8-9
Max Horz 1=-20(LC 12)
Max Grav 1=225(LC 2), 3=225(LC 2)

FORCES. (lb) - Max. Comp./Max. Ten. - All forces 250 (lb) or less except when shown.

NOTES-

- Unbalanced roof live loads have been considered for this design.
- Wind: ASCE 7-10; Vult=120mph (3-second gust) Vasd=95mph; TCCL=6.0psf; BCDL=6.0psf; h=25ft; Cat. II; Exp B; Enclosed; MWFRS (envelope) and C-C Exterior(2) zone; cantilever left and right exposed ;C-C for members and forces & MWFRS for reactions shown; Lumber DOL=1.60 plate grip DOL=1.60
- TCLL: ASCE 7-10; Pr=20.0 psf (roof live load: Lumber DOL=1.15 Plate DOL=1.15); Pg=20.0 psf (ground snow); Pf=15.4 psf (flat roof snow: Lumber DOL=1.15 Plate DOL=1.15); Category II; Exp B; Partially Exp.; Ct=1.10
- Unbalanced snow loads have been considered for this design.
- Gable requires continuous bottom chord bearing.
- This truss has been designed for a 10.0 psf bottom chord live load nonconcurrent with any other live loads.
- * This truss has been designed for a live load of 20.0psf on the bottom chord in all areas where a rectangle 3-6-0 tall by 2-0-0 wide will fit between the bottom chord and any other members.



April 29, 2019

WARNING - Verify design parameters and READ NOTES ON THIS AND INCLUDED MITEK REFERENCE PAGE MII-7473 rev. 10/03/2015 BEFORE USE.

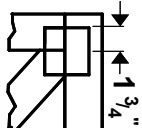
Design valid for use only with MiTek® connectors. This design is based only upon parameters shown, and is for an individual building component, not a truss system. Before use, the building designer must verify the applicability of design parameters and properly incorporate this design into the overall building design. Bracing indicated is to prevent buckling of individual truss web and/or chord members only. Additional temporary and permanent bracing is always required for stability and to prevent collapse with possible personal injury and property damage. For general guidance regarding the fabrication, storage, delivery, erection and bracing of trusses and truss systems, see **ANSI/TPI1 Quality Criteria, DSB-89 and BCSI Building Component Safety Information** available from Truss Plate Institute, 218 N. Lee Street, Suite 312, Alexandria, VA 22314.



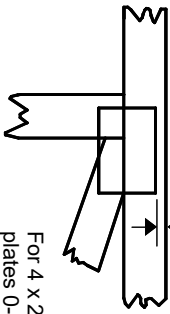
818 Soundside Road
Edenton, NC 27932

Symbols

PLATE LOCATION AND ORIENTATION



Center plate on joint unless x, y offsets are indicated. Dimensions are in ft-in-sixteenths. Apply plates to both sides of truss and fully embed teeth.



For 4 x 2 orientation, locate plates 0- $\frac{1}{8}$ " from outside edge of truss.



This symbol indicates the required direction of slots in connector plates.

* Plate location details available in **MITek 2020 software** or upon request.

PLATE SIZE

4 X 4

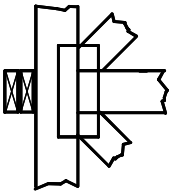
The first dimension is the plate width measured perpendicular to slots. Second dimension is the length parallel to slots.

LATERAL BRACING LOCATION



Indicated by symbol shown and/or by text in the bracing section of the output. Use T or I bracing if indicated.

BEARING



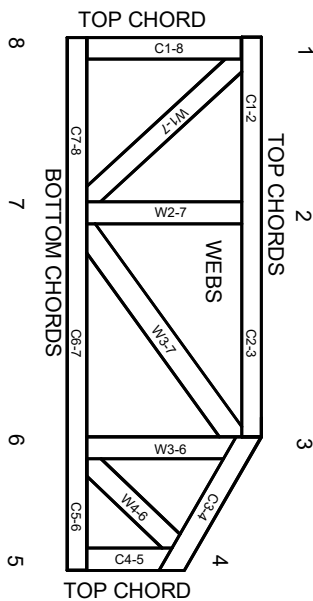
Indicates location where bearings (supports) occur. Icons vary but reaction section indicates joint number where bearings occur. Min size shown is for crushing only.

Industry Standards:

ANSI/TPI 1: National Design Specification for Metal Plate Connected Wood Truss Construction.
DSB-89: Design Standard for Bracing.
BCSI: Building Component Safety Information, Guide to Good Practice for Handling, Installing & Bracing of Metal Plate Connected Wood Trusses.

Numbering System

6-4-8
dimensions shown in ft-in-sixteenths
(Drawings not to scale)



JOINTS ARE GENERALLY NUMBERED/LETTERED CLOCKWISE AROUND THE TRUSS STARTING AT THE JOINT FARTHEST TO THE LEFT.

CHORDS AND WEBS ARE IDENTIFIED BY END JOINT NUMBERS/LETTERS.

PRODUCT CODE APPROVALS

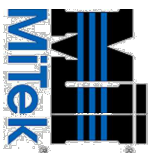
ICC-ES Reports:

ESR-1311, ESR-1352, ESR1988
ER-3907, ESR-2362, ESR-1397, ESR-3282

Trusses are designed for wind loads in the plane of the truss unless otherwise shown.

Lumber design values are in accordance with ANSI/TPI 1 section 6.3 These truss designs rely on lumber values established by others.

© 2012 MITTEK® All Rights Reserved



MITek Engineering Reference Sheet: MIL-7473 rev. 10/03/2015



General Safety Notes

Failure to Follow Could Cause Property Damage or Personal Injury

1. Additional stability bracing for truss system, e.g. diagonal or X-bracing, is always required. See BCSI.
2. Truss bracing must be designed by an engineer. For wide truss spacing, individual lateral braces themselves may require bracing, or alternative Tor I bracing should be considered.
3. Never exceed the design loading shown and never stack materials on inadequately braced trusses.
4. Provide copies of this truss design to the building designer, erection supervisor, property owner and all other interested parties.
5. Cut members to bear tightly against each other.
6. Place plates on each face of truss at each joint and embed fully. Knots and wane at joint locations are regulated by ANSI/TPI 1.
7. Design assumes trusses will be suitably protected from the environment in accord with ANSI/TPI 1.
8. Unless otherwise noted, moisture content of lumber shall not exceed 19% at time of fabrication.
9. Unless expressly noted, this design is not applicable for use with fire retardant, preservative treated, or green lumber.
10. Camber is a non-structural consideration and is the responsibility of truss fabricator. General practice is to camber for dead load deflection.
11. Plate type, size, orientation and location dimensions indicated are minimum plating requirements.
12. Lumber used shall be of the species and size, and in all respects, equal to or better than that specified.
13. Top chords must be sheathed or purlins provided at spacing indicated on design.
14. Bottom chords require lateral bracing at 10 ft. spacing, or less, if no ceiling is installed, unless otherwise noted.
15. Connections not shown are the responsibility of others.
16. Do not cut or alter truss member or plate without prior approval of an engineer.
17. Install and load vertically unless indicated otherwise.
18. Use of green or treated lumber may pose unacceptable environmental, health or performance risks. Consult with project engineer before use.
19. Review all portions of this design (front, back, words and pictures) before use. Reviewing pictures alone is not sufficient.
20. Design assumes manufacture in accordance with ANSI/TPI 1 Quality Criteria.