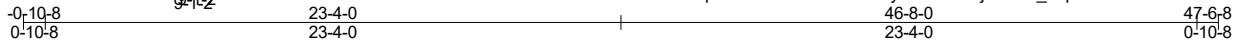


Job 2310930	Truss A1E	Truss Type GABLE	Qty 1	Ply 1	Lamco Custom - Kristie Base
					Job Reference (optional)

Probuild East, Albemarle, NC 28001

8.240 s Mar 9 2020 MiTek Industries, Inc. Mon Apr 20 14:35:38 2020 Page 1
ID: dnlqb9LRM5JKOTrxvfk8RybnvJ-86xoj8ZA?L_Ozp?83RWa0ZfB52rs403MSjx0MHzOnZ



Scale = 1:93.4

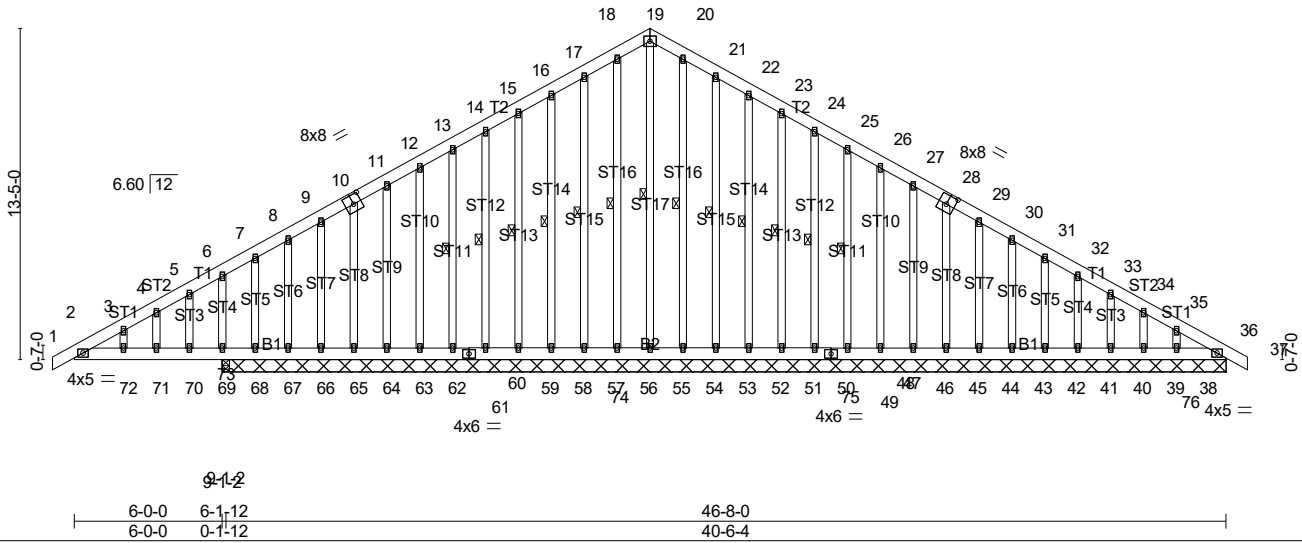


Plate Offsets (X,Y)-- [10:0-4-0,0-4-8], [28:0-4-0,0-4-8]

LOADING (psf)	SPACING-	CSI.	DEFL.	PLATES	GRIP
TCLL (roof) 20.0	1-4-0	TC 0.17	in (loc) l/defl L/d	MT20	244/190
Snow (Pf/Pg) 15.4/20.0	Plate Grip DOL 1.15	BC 0.20	Vert(LL) 0.00 69 >999 360		
TCDL 10.0	Lumber DOL 1.15	WB 0.18	Vert(CT) 0.00 68-69 >999 240		
BCLL 0.0 *	Rep Stress Incr YES	Matrix-SH	Horz(CT) -0.01 36 n/a n/a		
BCDL 10.0	Code IRC2015/TPI2014		Wind(LL) -0.00 69 >999 240		
				Weight: 557 lb	FT = 20%

LUMBER-
 TOP CHORD 2x6 SP No.2
 BOT CHORD 2x6 SP No.2
 OTHERS 2x4 SP No.3

BRACING-
 TOP CHORD Structural wood sheathing directly applied or 10-0-0 oc purlins.
 BOT CHORD Rigid ceiling directly applied or 6-0-0 oc bracing.
 WEBS 1 Row at midpt 19-55, 18-56, 17-57, 16-58, 15-59, 14-60, 13-62, 20-54, 21-53, 22-52, 23-51, 24-50, 25-48

MiTek recommends that Stabilizers and required cross bracing be installed during truss erection, in accordance with Stabilizer Installation guide.

REACTIONS. All bearings 40-8-0.
 (lb) - Max Horz 69=138(LC 15)
 Max Uplift All uplift 100 lb or less at joint(s) 57, 58, 59, 60, 62, 63, 64, 65, 66, 67, 53, 52, 51, 50, 48, 47, 46, 45, 44, 43, 42, 41, 40, 39, 38 except 36=-113(LC 32), 68=-264(LC 2), 69=-144(LC 16)
 Max Grav All reactions 250 lb or less at joint(s) 36, 55, 56, 57, 58, 59, 60, 62, 63, 64, 65, 66, 67, 68, 54, 53, 52, 51, 50, 48, 47, 46, 45, 44, 43, 42, 41, 40, 39, 38 except 69=540(LC 2), 69=476(LC 1)

FORCES. (lb) - Max. Comp./Max. Ten. - All forces 250 (lb) or less except when shown.
TOP CHORD 2-3=-143/293, 3-4=-129/305, 4-5=-124/329, 5-6=-109/327, 6-7=-63/250, 7-8=-63/296, 8-9=-48/303, 9-10=-32/292, 10-11=-18/305, 11-12=-1/300, 12-13=0/300, 13-14=0/300, 14-15=0/300, 15-16=0/301, 16-17=-10/304, 17-18=-23/304, 18-19=-33/275, 19-20=-33/274, 20-21=-23/304, 21-22=-10/304, 22-23=0/300, 23-24=0/300, 24-25=-1/300, 25-26=-9/300, 26-27=-18/300, 27-28=-27/303, 28-29=-36/306, 29-30=-48/308, 30-31=-64/312, 31-32=-80/315, 32-33=-96/318, 33-34=-112/322, 34-35=-127/325, 35-36=-153/340
BOT CHORD 2-72=-251/151, 71-72=-251/151, 71-73=-251/151, 70-73=-251/151, 69-70=-251/151, 68-69=-283/147, 67-68=-283/147, 66-67=-283/147, 65-66=-283/147, 64-65=-284/148, 63-64=-284/148, 62-63=-284/148, 61-62=-284/148, 60-61=-284/148, 59-60=-284/148, 58-59=-284/148, 57-58=-284/148, 56-57=-284/148, 55-56=-284/148, 54-55=-284/148, 53-54=-284/148, 52-53=-284/148, 51-52=-284/148, 50-51=-284/148, 49-50=-284/148, 48-49=-284/148, 47-48=-284/148, 46-47=-284/148, 45-46=-284/148, 44-45=-282/147, 43-44=-282/147, 42-43=-282/147, 41-42=-282/147, 40-41=-282/147, 39-76=-282/147, 38-39=-282/147, 36-38=-282/147

NOTES-
 1) Unbalanced roof live loads have been considered for this design.
 2) Wind: ASCE 7-10; Vult=115mph (3-second gust) Vasd=91mph; TCDL=6.0psf; BCDL=3.0psf; h=25ft; B=45ft; L=47ft; eave=2ft; Cat. II; Exp B; Enclosed; MWFRS (directional) and C-C Corner(3) -0-10-8 to 3-9-8, Exterior(2) 3-9-8 to 23-4-0, Corner(3) 23-4-0 to 28-0-0, Exterior(2) 28-0-0 to 47-6-8 zone; cantilever left and right exposed; end vertical left and right exposed; C-C for members and forces & MWFRS for reactions shown; Lumber DOL=1.60 plate grip DOL=1.60

Job	Truss	Truss Type	Qty	Ply	Lamco Custom - Kristie Base
2310930	A1E	GABLE	1	1	Job Reference (optional)

Probuild East, Albemarle, NC 28001

8.240 s Mar 9 2020 MiTek Industries, Inc. Mon Apr 20 14:35:38 2020 Page 2
 ID:dn1qb9LRM5JKOTrzxvfk8RybnvJ-86xoj8ZA?L_0zp?83RWa0ZfB52rs403MSjx0MHzOnNZ

NOTES-

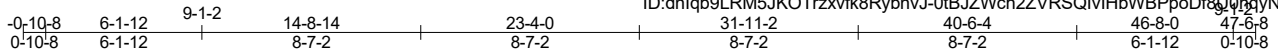
- 3) Truss designed for wind loads in the plane of the truss only. For studs exposed to wind (normal to the face), see Standard Industry Gable End Details as applicable, or consult qualified building designer as per ANSI/TPI 1.
- 4) TLL: ASCE 7-10; Pr=20.0 psf (roof live load: Lumber DOL=1.15 Plate DOL=1.15); Pg=20.0 psf (ground snow); Pf=15.4 psf (flat roof snow: Lumber DOL=1.15 Plate DOL=1.15); Category II; Exp B; Partially Exp.; Ct=1.10
- 5) Unbalanced snow loads have been considered for this design.
- 6) This truss has been designed for greater of min roof live load of 12.0 psf or 1.00 times flat roof load of 15.4 psf on overhangs non-concurrent with other live loads.
- 7) All plates are 2x4 MT20 unless otherwise indicated.
- 8) Gable studs spaced at 1-4-0 oc.
- 9) This truss has been designed for a 10.0 psf bottom chord live load nonconcurrent with any other live loads.
- 10) * This truss has been designed for a live load of 20.0psf on the bottom chord in all areas where a rectangle 3-6-0 tall by 2-0-0 wide will fit between the bottom chord and any other members.
- 11) This truss is designed in accordance with the 2015 International Residential Code sections R502.11.1 and R802.10.2 and referenced standard ANSI/TPI 1.

LOAD CASE(S) Standard

Job 2310930	Truss A2	Truss Type Common	Qty 6	Ply 1	Lamco Custom - Kristie Base Job Reference (optional)
----------------	-------------	----------------------	----------	----------	---

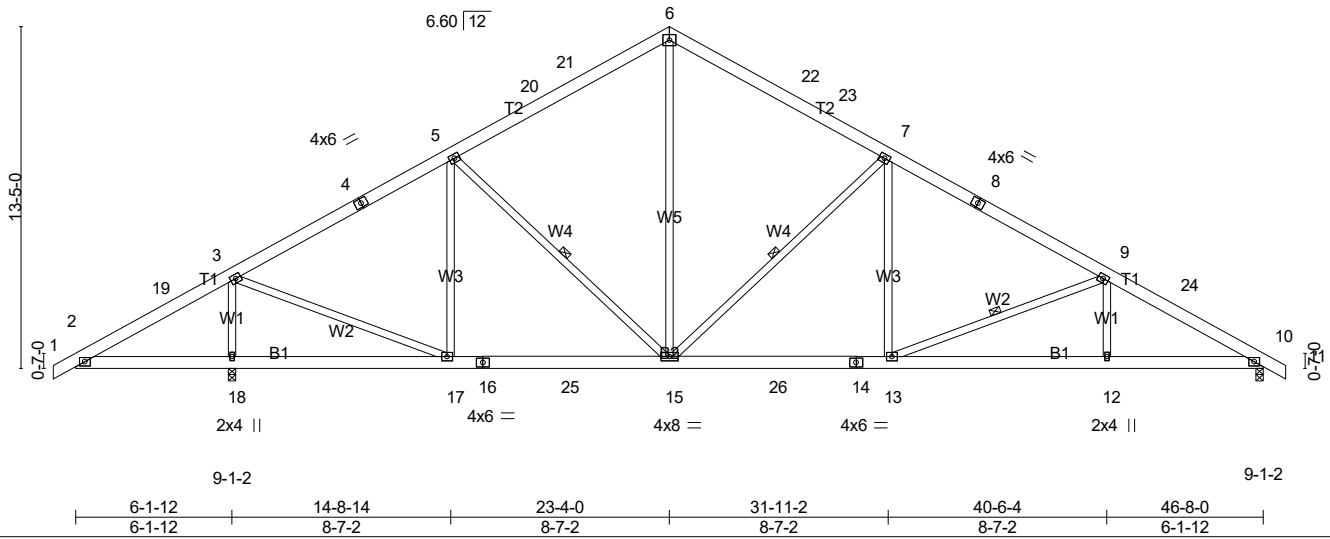
Probuild East, Albemarle, NC 28001

8.240 s Mar 9 2020 MiTek Industries, Inc. Mon Apr 20 14:35:42 2020 Page 1
ID:dnIqb9LRM5JKOTrxvfk8RybnvJ-0tBJZWch2ZVRSQIvHbWBPpoDf8J0hgyNLvEV2zOnNV



5x6 =

Scale = 1:90.5



LOADING (psf)	SPACING-	CSI.	DEFL.	PLATES	GRIP
TCLL (roof) 20.0	2-0-0	TC 0.49	in (loc) I/defl L/d	MT20	244/190
Snow (Pf/Pg) 15.4/20.0	Plate Grip DOL 1.15	BC 0.54	Vert(LL) -0.11 13-15 >999 360		
TCDL 10.0	Lumber DOL 1.15	WB 0.71	Vert(CT) -0.21 13-15 >999 240		
BCLL 0.0 *	Rep Stress Incr YES	Matrix-SH	Horz(CT) 0.06 10 n/a n/a		
BCDL 10.0	Code IRC2015/TPI2014		Wind(LL) 0.05 13 >999 240		
				Weight: 350 lb	FT = 20%

LUMBER-
TOP CHORD 2x6 SP No.2
BOT CHORD 2x6 SP No.2
WEBS 2x4 SP No.3

BRACING-
TOP CHORD Structural wood sheathing directly applied or 4-3-0 oc purlins.
BOT CHORD Rigid ceiling directly applied or 6-0-0 oc bracing.
WEBS 1 Row at midpt 5-15, 7-15, 9-13

MiTek recommends that Stabilizers and required cross bracing be installed during truss erection, in accordance with Stabilizer Installation guide.

REACTIONS. (lb/size) 18=1949/0-3-8 (min. 0-3-7), 10=1441/0-3-8 (min. 0-2-9)
Max Horz 18=207(LC 15)
Max Uplift 18=-248(LC 16), 10=-102(LC 16)
Max Grav 18=2204(LC 2), 10=1631(LC 2)

FORCES. (lb) - Max. Comp./Max. Ten. - All forces 250 (lb) or less except when shown.
TOP CHORD 2-19=-263/445, 3-19=-234/556, 3-4=-1542/106, 4-5=-1397/132, 5-20=-1489/196,
20-21=-1394/198, 6-21=-1380/225, 6-22=-1367/235, 22-23=-1385/208, 7-23=-1480/190,
7-8=-2013/225, 8-9=-2199/199, 9-24=-2652/225, 10-24=-2814/205
BOT CHORD 2-18=-388/273, 17-18=-440/266, 16-17=0/1370, 16-25=0/1370, 15-25=0/1370,
15-26=-14/1822, 14-26=-14/1822, 13-14=-14/1822, 12-13=-117/2371, 10-12=-117/2371
WEBS 3-18=-2006/345, 3-17=-199/1719, 5-17=-489/140, 6-15=-92/921, 7-15=-956/158,
7-13=0/525, 9-13=-603/114, 9-12=0/303

- NOTES-**
- Unbalanced roof live loads have been considered for this design.
 - Wind: ASCE 7-10; Vult=115mph (3-second gust) Vasd=91mph; TCDL=6.0psf; BCDL=3.0psf; h=25ft; B=45ft; L=47ft; eave=6ft; Cat. II; Exp B; Enclosed; MWFRS (directional) and C-C Exterior(2) -0-10-8 to 3-9-8, Interior(1) 3-9-8 to 23-4-0, Exterior(2) 23-4-0 to 28-0-0, Interior(1) 28-0-0 to 47-6-8 zone; cantilever left and right exposed; end vertical left and right exposed; C-C for members and forces & MWFRS for reactions shown; Lumber DOL=1.60 plate grip DOL=1.60
 - TCLL: ASCE 7-10; Pr=20.0 psf (roof live load: Lumber DOL=1.15 Plate DOL=1.15); Pg=20.0 psf (ground snow); Pf=15.4 psf (flat roof snow: Lumber DOL=1.15 Plate DOL=1.15); Category II; Exp B; Partially Exp.; Ct=1.10
 - Unbalanced snow loads have been considered for this design.
 - This truss has been designed for greater of min roof live load of 12.0 psf or 1.00 times flat roof load of 15.4 psf on overhangs non-concurrent with other live loads.
 - All plates are 4x5 MT20 unless otherwise indicated.
 - This truss has been designed for a 10.0 psf bottom chord live load nonconcurrent with any other live loads.
 - * This truss has been designed for a live load of 20.0psf on the bottom chord in all areas where a rectangle 3-6-0 tall by 2-0-0 wide will fit between the bottom chord and any other members, with BCDL = 10.0psf.
 - One H2.5A Simpson Strong-Tie connectors recommended to connect truss to bearing walls due to UPLIFT at jt(s) 18 and 10. This connection is for uplift only and does not consider lateral forces.
 - This truss is designed in accordance with the 2015 International Residential Code sections R502.11.1 and R802.10.2 and referenced standard ANSI/TPI 1.

LOAD CASE(S) Standard

Job 2310930	Truss A2E	Truss Type GABLE	Qty 1	Ply 1	Lamco Custom - Kristie Base Job Reference (optional)
----------------	--------------	---------------------	----------	----------	---

Probuild East, Albemarle, NC 28001

8.240 s Mar 9 2020 MiTek Industries, Inc. Mon Apr 20 14:35:47 2020 Page 1
ID:dnlqb9LRM5JKOTrzxvfk8RybnvJ-Nr_CcDgpt67kYBBt4qAhuSWmzgzoh66hWdc_BGzOnN9

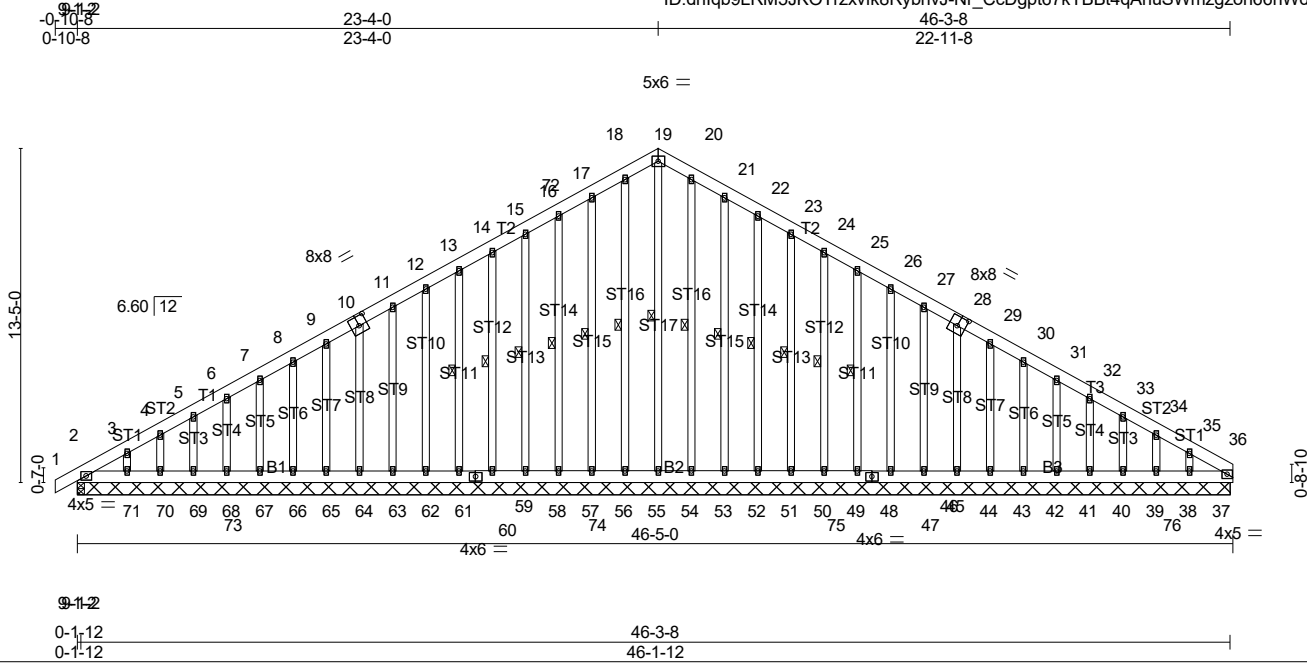


Plate Offsets (X,Y)-- [10:0-4-0,0-4-8], [28:0-4-0,0-4-8]

LOADING (psf)	SPACING-	CSI.	DEFL.	PLATES	GRIP
TCLL (roof) 20.0	1-4-0	TC 0.04	in (loc) l/defl L/d	MT20	244/190
Snow (Pf/Pg) 15.4/20.0	Plate Grip DOL 1.15	BC 0.01	Vert(LL) -0.00 2 >999 360		
TCDL 10.0	Lumber DOL 1.15	WB 0.07	Vert(CT) -0.00 2 >999 240		
BCLL 0.0 *	Rep Stress Incr YES	Matrix-SH	Horz(CT) 0.00 36 n/a n/a		
BCDL 10.0	Code IRC2015/TPI2014		Wind(LL) 0.00 2 >999 240		
				Weight: 553 lb	FT = 20%

LUMBER-
TOP CHORD 2x6 SP No.2
BOT CHORD 2x6 SP No.2
OTHERS 2x4 SP No.3

BRACING-
TOP CHORD Structural wood sheathing directly applied or 6-0-0 oc purlins.
BOT CHORD Rigid ceiling directly applied or 10-0-0 oc bracing.
WEBS 1 Row at midpt 19-54, 18-55, 17-56, 16-57, 15-58, 14-59, 13-61, 20-53, 21-52, 22-51, 23-50, 24-49, 25-48

MiTek recommends that Stabilizers and required cross bracing be installed during truss erection, in accordance with Stabilizer Installation guide.

REACTIONS. All bearings 46-3-8.
(lb) - Max Horz 2=137(LC 15)
Max Uplift All uplift 100 lb or less at joint(s) 36, 55, 56, 57, 58, 59, 61, 62, 63, 64, 65, 66, 67, 68, 69, 70, 71, 52, 51, 50, 49, 2, 48, 46, 45, 44, 43, 42, 41, 40, 39, 38, 37
Max Grav All reactions 250 lb or less at joint(s) 36, 54, 55, 56, 57, 58, 59, 61, 62, 63, 64, 65, 66, 67, 68, 69, 70, 71, 53, 52, 51, 50, 49, 2, 48, 46, 45, 44, 43, 42, 41, 40, 39, 38, 37

FORCES. (lb) - Max. Comp./Max. Ten. - All forces 250 (lb) or less except when shown.

NOTES-

- Unbalanced roof live loads have been considered for this design.
- Wind: ASCE 7-10; Vult=115mph (3-second gust) Vasd=91mph; TCDL=6.0psf; BCDL=3.0psf; h=25ft; B=45ft; L=48ft; eave=2ft; Cat. II; Exp B; Enclosed; MWFRS (directional) and C-C Corner(3) -0-10-8 to 3-11-0, Exterior(2) 3-11-0 to 23-4-0, Corner(3) 23-4-0 to 28-1-8, Exterior(2) 28-1-8 to 46-5-0 zone; cantilever left and right exposed; end vertical left and right exposed; C-C for members and forces & MWFRS for reactions shown; Lumber DOL=1.60 plate grip DOL=1.60
- Truss designed for wind loads in the plane of the truss only. For studs exposed to wind (normal to the face), see Standard Industry Gable End Details as applicable, or consult qualified building designer as per ANSI/TPI 1.
- TCLL: ASCE 7-10; Pr=20.0 psf (roof live load: Lumber DOL=1.15 Plate DOL=1.15); Pg=20.0 psf (ground snow); Pf=15.4 psf (flat roof snow: Lumber DOL=1.15 Plate DOL=1.15); Category II; Exp B; Partially Exp.; Ct=1.10
- Unbalanced snow loads have been considered for this design.
- This truss has been designed for greater of min roof live load of 12.0 psf or 1.00 times flat roof load of 15.4 psf on overhangs non-concurrent with other live loads.
- All plates are 2x4 MT20 unless otherwise indicated.
- Gable studs spaced at 1-4-0 oc.
- This truss has been designed for a 10.0 psf bottom chord live load nonconcurrent with any other live loads.
- * This truss has been designed for a live load of 20.0psf on the bottom chord in all areas where a rectangle 3-6-0 tall by 2-0-0 wide will fit between the bottom chord and any other members.

Continued on page 2

Job	Truss	Truss Type	Qty	Ply	Lamco Custom - Kristie Base
2310930	A2E	GABLE	1	1	Job Reference (optional)

Probuild East, Albemarle, NC 28001

8.240 s Mar 9 2020 MiTek Industries, Inc. Mon Apr 20 14:35:48 2020 Page 2
ID:dniqb9LRM5JKOTrzxvfk8RybnvJ-r1YapZhRePFbALm3eXiwQg3xj4J1QZMrIHMYjizOnNP

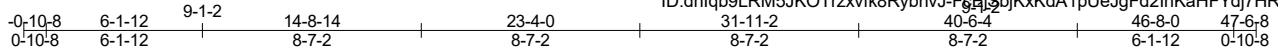
NOTES-
12) This truss is designed in accordance with the 2015 International Residential Code sections R502.11.1 and R802.10.2 and referenced standard ANSI/TPI 1.

LOAD CASE(S) Standard

Job 2310930	Truss A3	Truss Type Common	Qty 3	Ply 1	Lamco Custom - Kristie Base
----------------	-------------	----------------------	----------	----------	-----------------------------

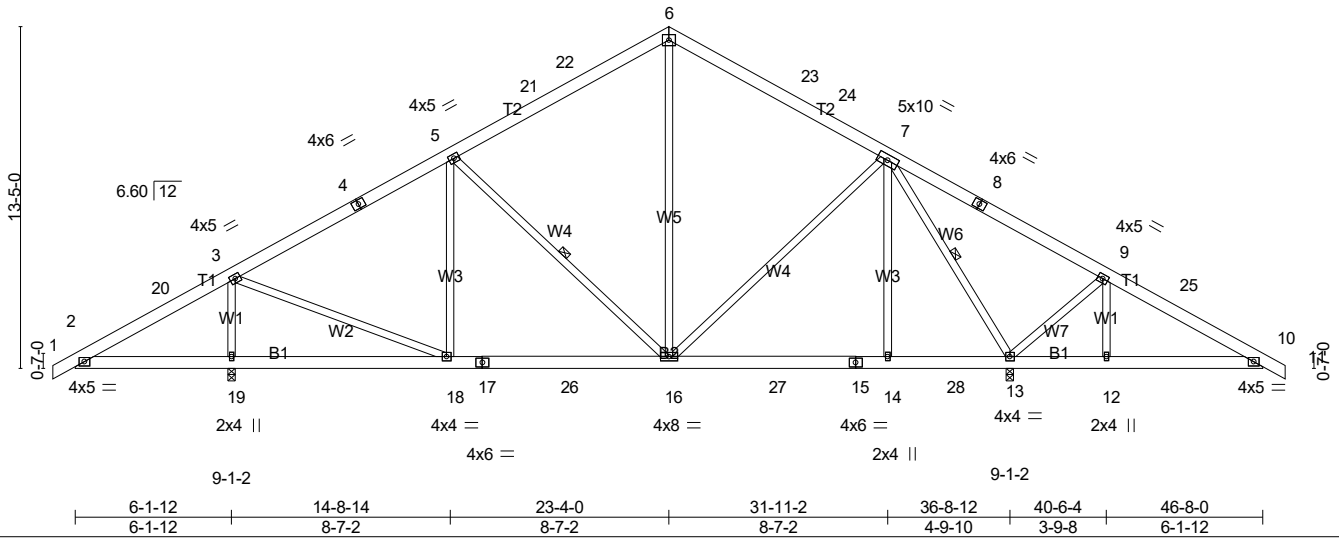
Probuild East, Albemarle, NC 28001

8.240 s Mar 9 2020 MiTek Industries, Inc. Mon Apr 20 14:35:51 2020 Page 1
 ID: dnlqb9LRM5JKOTrzxvfk8RybnvJ-F619bjKxKdA1pUeJgFd2lhKaHFYdj7HRFaCK1zOnNM



5x6 =

Scale = 1:90.5



LOADING (psf)	SPACING-	CSI.	DEFL.	PLATES	GRIP
TCLL (roof) 20.0	2-0-0	TC 0.57	in (loc) l/defl L/d	MT20	244/190
Snow (Pf/Pg) 15.4/20.0	Plate Grip DOL 1.15	BC 0.35	Vert(LL) -0.06 16-18 >999 360		
TCDL 10.0	Lumber DOL 1.15	WB 0.90	Vert(CT) -0.10 14-16 >999 240		
BCLL 0.0 *	Rep Stress Incr YES	Matrix-SH	Horz(CT) -0.01 19 n/a n/a		
BCDL 10.0	Code IRC2015/TPI2014		Wind(LL) 0.02 16-18 >999 240		
				Weight: 357 lb	FT = 20%

LUMBER-
 TOP CHORD 2x6 SP No.2
 BOT CHORD 2x6 SP No.2
 WEBS 2x4 SP No.3

BRACING-
 TOP CHORD Structural wood sheathing directly applied or 6-0-0 oc purlins.
 BOT CHORD Rigid ceiling directly applied or 6-0-0 oc bracing.
 WEBS 1 Row at midpt 5-16, 7-13

MiTek recommends that Stabilizers and required cross bracing be installed during truss erection, in accordance with Stabilizer Installation guide.

REACTIONS. (lb/size) 19=1486/0-3-8 (min. 0-2-10), 13=1907/0-3-8 (min. 0-3-6)
 Max Horz 13=207(LC 15)
 Max Uplift 19=-216(LC 16), 13=-132(LC 16)
 Max Grav 19=1681(LC 2), 13=2157(LC 2)

FORCES. (lb) - Max. Comp./Max. Ten. - All forces 250 (lb) or less except when shown.
TOP CHORD 2-20=-264/450, 3-20=-235/561, 3-4=-969/45, 4-5=-783/70, 5-21=-757/112,
 21-22=-663/114, 6-22=-644/141, 6-23=-648/142, 23-24=-665/115, 7-24=-760/97,
 7-8=-319/1067, 8-9=-364/936, 9-25=-223/598, 10-25=-252/485
BOT CHORD 2-19=-392/274, 18-19=-392/274, 17-18=0/770, 17-26=0/770, 16-26=0/770,
 16-27=-29/430, 15-27=-29/430, 14-15=-29/430, 14-28=-29/430, 13-28=-29/430,
 12-13=-422/264, 10-12=-422/264
WEBS 3-19=-1488/269, 3-18=-113/1172, 5-18=-271/106, 5-16=-345/91, 6-16=-33/277,
 7-16=-84/439, 7-14=0/353, 7-13=-1954/358, 9-13=-541/269

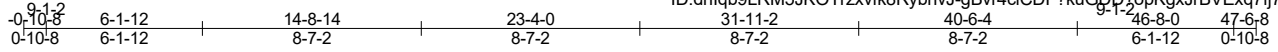
- NOTES-**
- Unbalanced roof live loads have been considered for this design.
 - Wind: ASCE 7-10; Vult=115mph (3-second gust) Vasd=91mph; TCDL=6.0psf; BCDL=3.0psf; h=25ft; B=45ft; L=47ft; eave=6ft; Cat. II; Exp B; Enclosed; MWFRS (directional) and C-C Exterior(2) -0-10-8 to 3-9-8, Interior(1) 3-9-8 to 23-4-0, Exterior(2) 23-4-0 to 28-0-0, Interior(1) 28-0-0 to 47-6-8 zone; cantilever left and right exposed; end vertical left and right exposed; C-C for members and forces & MWFRS for reactions shown; Lumber DOL=1.60 plate grip DOL=1.60
 - TCLL: ASCE 7-10; Pr=20.0 psf (roof live load: Lumber DOL=1.15 Plate DOL=1.15); Pg=20.0 psf (ground snow); Pf=15.4 psf (flat roof snow: Lumber DOL=1.15 Plate DOL=1.15); Category II; Exp B; Partially Exp.; Ct=1.10
 - Unbalanced snow loads have been considered for this design.
 - This truss has been designed for greater of min roof live load of 12.0 psf or 1.00 times flat roof load of 15.4 psf on overhangs non-concurrent with other live loads.
 - This truss has been designed for a 10.0 psf bottom chord live load nonconcurrent with any other live loads.
 - * This truss has been designed for a live load of 20.0psf on the bottom chord in all areas where a rectangle 3-6-0 tall by 2-0-0 wide will fit between the bottom chord and any other members, with BCDL = 10.0psf.
 - One H2.5A Simpson Strong-Tie connectors recommended to connect truss to bearing walls due to UPLIFT at jt(s) 19 and 13. This connection is for uplift only and does not consider lateral forces.
 - This truss is designed in accordance with the 2015 International Residential Code sections R502.11.1 and R802.10.2 and referenced standard ANSI/TPI 1.

LOAD CASE(S) Standard

Job 2310930	Truss A4	Truss Type Common	Qty 6	Ply 1	Lamco Custom - Kristie Base
----------------	-------------	----------------------	----------	----------	-----------------------------

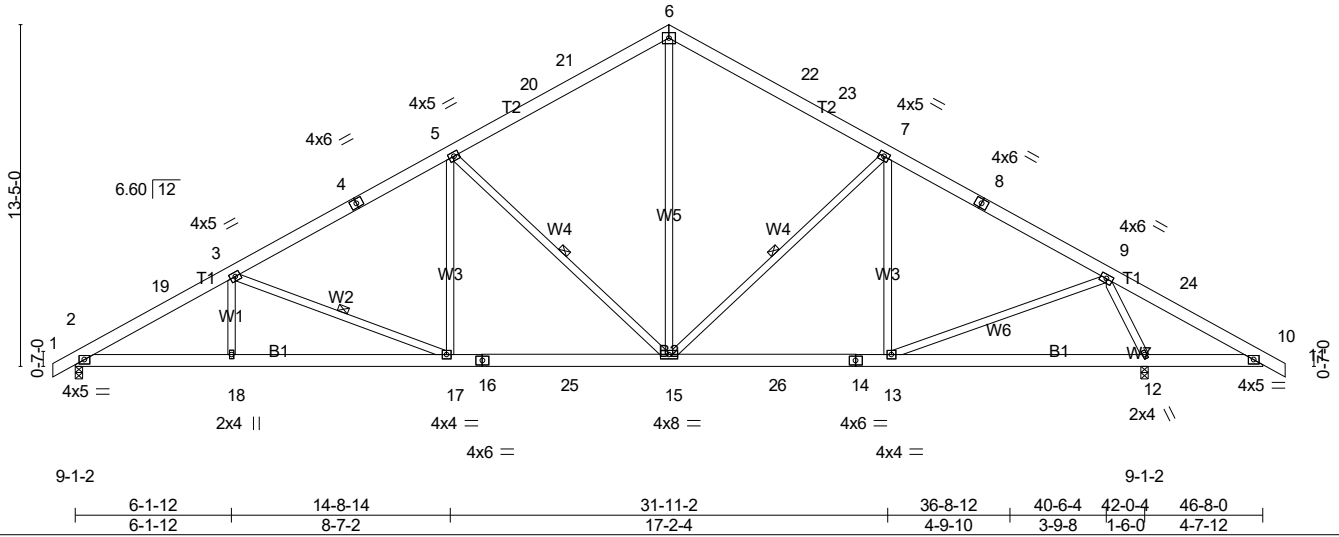
Probuild East, Albemarle, NC 28001

8.240 s Mar 9 2020 MiTek Industries, Inc. Mon Apr 20 14:35:54 2020 Page 1
 ID:dnlqb9LRM5JKOTrzzxvfk8RybnvJ-gBvr4clCDF?kuGDD?opKgxJrBVExq7fj7DpswMzOnNj



5x6 =

Scale = 1:90.5



LOADING (psf)	SPACING-	CSI.	DEFL.	PLATES	GRIP
TCLL (roof) 20.0	2-0-0	TC 0.49	in (loc) l/defl L/d	MT20	244/190
Snow (Pf/Pg) 15.4/20.0	Plate Grip DOL 1.15	BC 0.56	Vert(LL) -0.12 15-17 >999 360		
TCDL 10.0	Lumber DOL 1.15	WB 0.66	Vert(CT) -0.23 15-17 >999 240		
BCLL 0.0 *	Rep Stress Incr YES	Matrix-SH	Horz(CT) 0.08 12 n/a n/a		
BCDL 10.0	Code IRC2015/TPI2014		Wind(LL) 0.06 17 >999 240		
				Weight: 351 lb	FT = 20%

LUMBER-
 TOP CHORD 2x6 SP No.2
 BOT CHORD 2x6 SP No.2
 WEBS 2x4 SP No.3

BRACING-
 TOP CHORD Structural wood sheathing directly applied or 4-1-8 oc purlins.
 BOT CHORD Rigid ceiling directly applied or 10-0-0 oc bracing, Except:
 6-0-0 oc bracing: 10-12.
 WEBS 1 Row at midpt 3-17, 5-15, 7-15

MiTek recommends that Stabilizers and required cross bracing be installed during truss erection, in accordance with Stabilizer Installation guide.

REACTIONS. (lb/size) 2=1516/0-3-8 (min. 0-2-11), 12=1874/0-3-8 (min. 0-3-5)
 Max Horz 2=-207(LC 14)
 Max Uplift 2=-115(LC 16), 12=-139(LC 16)
 Max Grav 2=1716(LC 2), 12=2120(LC 2)

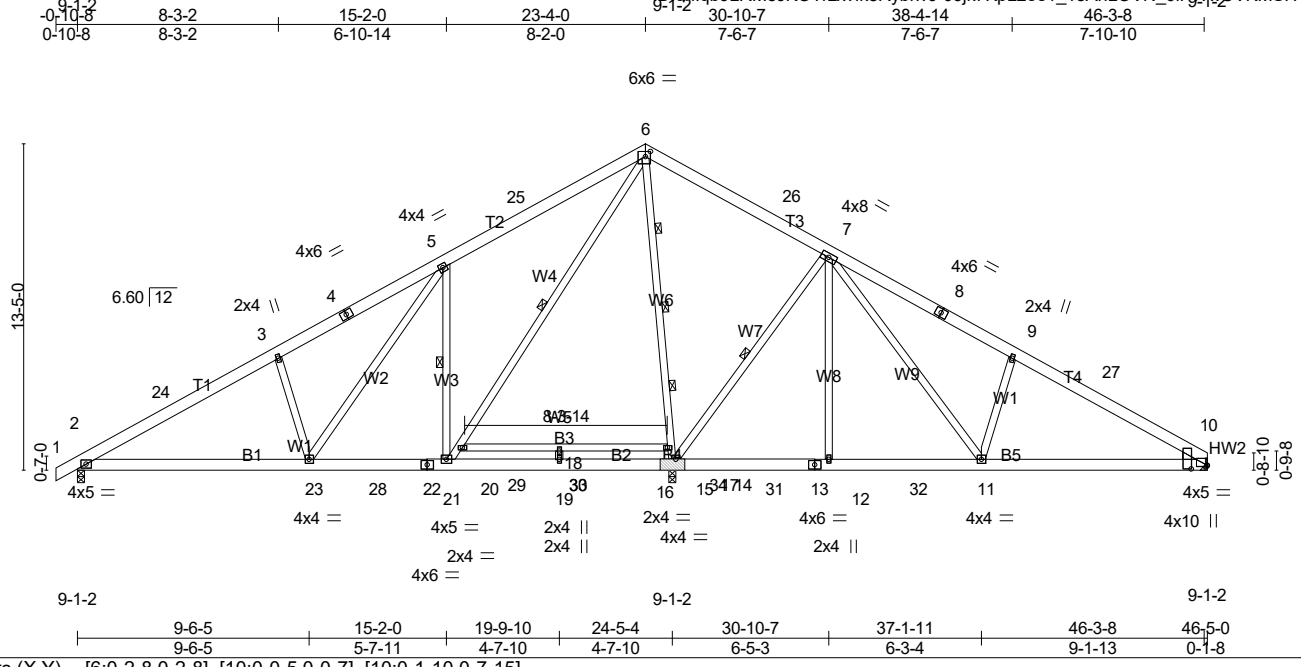
FORCES. (lb) - Max. Comp./Max. Ten. - All forces 250 (lb) or less except when shown.
 TOP CHORD 2-19=-2982/229, 3-19=-2819/250, 3-4=-2360/224, 4-5=-2217/250, 5-20=-1651/216,
 20-21=-1544/234, 6-21=-1525/261, 6-22=-1538/252, 22-23=-1553/225, 7-23=-1650/222,
 7-8=-1771/187, 8-9=-1889/160, 9-24=-213/485, 10-24=-246/380
 BOT CHORD 2-18=-146/2621, 17-18=-146/2621, 16-17=-41/2103, 16-25=-41/2103, 15-25=-41/2103,
 15-26=0/1583, 14-26=0/1583, 13-14=0/1583, 12-13=0/592, 10-12=-331/257
 WEBS 3-18=0/301, 3-17=-599/113, 5-17=0/527, 5-15=-955/157, 7-15=-396/91, 6-15=-117/1075,
 9-13=-83/1086, 9-12=-2092/350

- NOTES-**
- Unbalanced roof live loads have been considered for this design.
 - Wind: ASCE 7-10; Vult=115mph (3-second gust) Vasd=91mph; TCDL=6.0psf; BCDL=3.0psf; h=25ft; B=45ft; L=47ft; eave=6ft; Cat. II; Exp B; Enclosed; MWFRS (directional) and C-C Exterior(2) -0-10-8 to 3-9-8, Interior(1) 3-9-8 to 23-4-0, Exterior(2) 23-4-0 to 28-0-0, Interior(1) 28-0-0 to 47-6-8 zone; cantilever left and right exposed; end vertical left and right exposed; C-C for members and forces & MWFRS for reactions shown; Lumber DOL=1.60 plate grip DOL=1.60
 - TCLL: ASCE 7-10; Pr=20.0 psf (roof live load: Lumber DOL=1.15 Plate DOL=1.15); Pg=20.0 psf (ground snow); Pf=15.4 psf (flat roof snow: Lumber DOL=1.15 Plate DOL=1.15); Category II; Exp B; Partially Exp.; Ct=1.10
 - Unbalanced snow loads have been considered for this design.
 - This truss has been designed for greater of min roof live load of 12.0 psf or 1.00 times flat roof load of 15.4 psf on overhangs non-concurrent with other live loads.
 - This truss has been designed for a 10.0 psf bottom chord live load nonconcurrent with any other live loads.
 - * This truss has been designed for a live load of 20.0psf on the bottom chord in all areas where a rectangle 3-6-0 tall by 2-0-0 wide will fit between the bottom chord and any other members, with BCDL = 10.0psf.
 - One H2.5A Simpson Strong-Tie connectors recommended to connect truss to bearing walls due to UPLIFT at jt(s) 2 and 12. This connection is for uplift only and does not consider lateral forces.
 - This truss is designed in accordance with the 2015 International Residential Code sections R502.11.1 and R802.10.2 and referenced standard ANSI/TPI 1.

LOAD CASE(S) Standard

Job 2310930	Truss A5	Truss Type Roof Special	Qty 10	Ply 1	Lamco Custom - Kristie Base
Probuild East, Albemarle, NC 28001					Job Reference (optional)

8.240 s Mar 9 2020 MiTek Industries, Inc. Mon Apr 20 14:35:59 2020 Page 1
 ID: dn1qb9LRM5JKOTrzxvfk8RybnvJ-09jk7KpL2oe1_15AnLOVN_0iPyWwJVKMSHVXdcZzOnNE



Scale = 1:94.6

Plate Offsets (X,Y)-- [6:0-2-8,0-2-8], [10:0-0-5,0-0-7], [10:0-1-10,0-7-15]									
LOADING (psf)	SPACING-	CSI.	DEFL.	PLATES	GRIP				
TCLL (roof) 20.0	2-0-0	TC 0.46	in (loc) l/defl L/d	MT20	244/190				
Snow (Pf/Pg) 15.4/20.0	Plate Grip DOL 1.15	BC 0.60	Vert(LL) -0.14 17-18 >999 360						
TCDL 10.0	Lumber DOL 1.15	WB 0.95	Vert(CT) -0.24 17-18 >999 240						
BCLL 0.0 *	Rep Stress Incr YES	Matrix-SH	Horz(CT) 0.01 10 n/a n/a						
BCDL 10.0	Code IRC2015/TPI2014		Wind(LL) 0.04 2-23 >999 240			Weight: 375 lb FT = 20%			

LUMBER-	BRACING-
TOP CHORD 2x6 SP No.2	TOP CHORD Structural wood sheathing directly applied or 5-11-9 oc purlins.
BOT CHORD 2x6 SP No.2 *Except*	BOT CHORD Rigid ceiling directly applied or 6-0-0 oc bracing. Except:
B3: 2x4 SP No.2	6-0-0 oc bracing: 17-20
WEBS 2x4 SP No.3	1 Row at midpt 5-21, 6-21, 7-15
WEDGE	3 Rows at 1/4 pts 6-15
Right: 2x4 SP No.2	

MiTek recommends that Stabilizers and required cross bracing be installed during truss erection, in accordance with Stabilizer Installation guide.

REACTIONS. (lb/size) 2=734/0-3-8 (min. 0-1-8), 10=536/Mechanical, 15=2223/(0-3-8 + bearing block) (req. 0-4-6)
 Max Horz 2=206(LC 15)
 Max Uplift 2=-52(LC 16), 10=-31(LC 16), 15=-97(LC 16)
 Max Grav 2=891(LC 32), 10=661(LC 33), 15=2794(LC 28)

FORCES. (lb) - Max. Comp./Max. Ten. - All forces 250 (lb) or less except when shown.
 TOP CHORD 2-24=-1196/69, 3-24=-1083/94, 3-4=-1049/128, 4-5=-867/164, 5-25=-660/180,
 6-25=-555/208, 6-26=0/611, 7-26=0/442, 7-8=-540/176, 8-9=-738/136, 9-27=-732/98,
 10-27=-878/73
 BOT CHORD 2-23=-13/1000, 23-28=0/530, 22-28=0/530, 21-22=0/530, 21-29=-412/192,
 29-30=-412/192, 19-30=-412/192, 16-19=-412/192, 15-16=-412/192, 10-11=-1/667
 WEBS 3-23=-413/131, 5-23=-115/684, 5-21=-830/217, 20-21=-177/1409, 6-20=-164/1465,
 7-11=-118/771, 9-11=-422/143, 6-17=-1627/111, 15-17=-1732/97, 7-15=-902/162

- NOTES-**
- 1) 2x6 SP No.2 bearing block 12" long at jt. 15 attached to front face with 3 rows of 10d (0.131"x3") nails spaced 3" o.c. 12 Total fasteners. Bearing is assumed to be SPF No.2.
 - 2) Unbalanced roof live loads have been considered for this design.
 - 3) Wind: ASCE 7-10; Vult=115mph (3-second gust) Vasd=91mph; TCDL=6.0psf; BCDL=3.0psf; h=25ft; B=45ft; L=48ft; eave=6ft; Cat. II; Exp B; Enclosed; MWFRS (directional) and C-C Exterior(2) -0-10-8 to 3-11-0, Interior(1) 3-11-0 to 23-4-0, Exterior(2) 23-4-0 to 28-1-8, Interior(1) 28-1-8 to 46-3-4 zone; cantilever left and right exposed; end vertical left and right exposed; C-C for members and forces & MWFRS for reactions shown; Lumber DOL=1.60 plate grip DOL=1.60
 - 4) TCLL: ASCE 7-10; Pr=20.0 psf (roof live load: Lumber DOL=1.15 Plate DOL=1.15); Pg=20.0 psf (ground snow); Pf=15.4 psf (flat roof snow: Lumber DOL=1.15 Plate DOL=1.15); Category II; Exp B; Partially Exp.; Ct=1.10
 - 5) Unbalanced snow loads have been considered for this design.
 - 6) This truss has been designed for greater of min roof live load of 12.0 psf or 1.00 times flat roof load of 15.4 psf on overhangs non-concurrent with other live loads.
 - 7) This truss has been designed for a 10.0 psf bottom chord live load nonconcurrent with any other live loads.
 - 8) * This truss has been designed for a live load of 20.0psf on the bottom chord in all areas where a rectangle 3-6-0 tall by 2-0-0 wide will fit between the bottom chord and any other members, with BCDL = 10.0psf.
 - 9) Refer to girder(s) for truss to truss connections.
 - 10) Provide mechanical connection (by others) of truss to bearing plate capable of withstanding 100 lb uplift at joint(s) 10.

Job	Truss	Truss Type	Qty	Ply	Lamco Custom - Kristie Base
2310930	A5	Roof Special	10	1	Job Reference (optional)

Probuild East, Albemarle, NC 28001

8.240 s Mar 9 2020 MiTek Industries, Inc. Mon Apr 20 14:35:59 2020 Page 2
 ID:dnlqb9LRM5JKOTrzxvfk8RybnvJ-09jk7KpL2oe1_15AnLOVN_0iPWwUVKMShVXdcZzOnNE

NOTES-

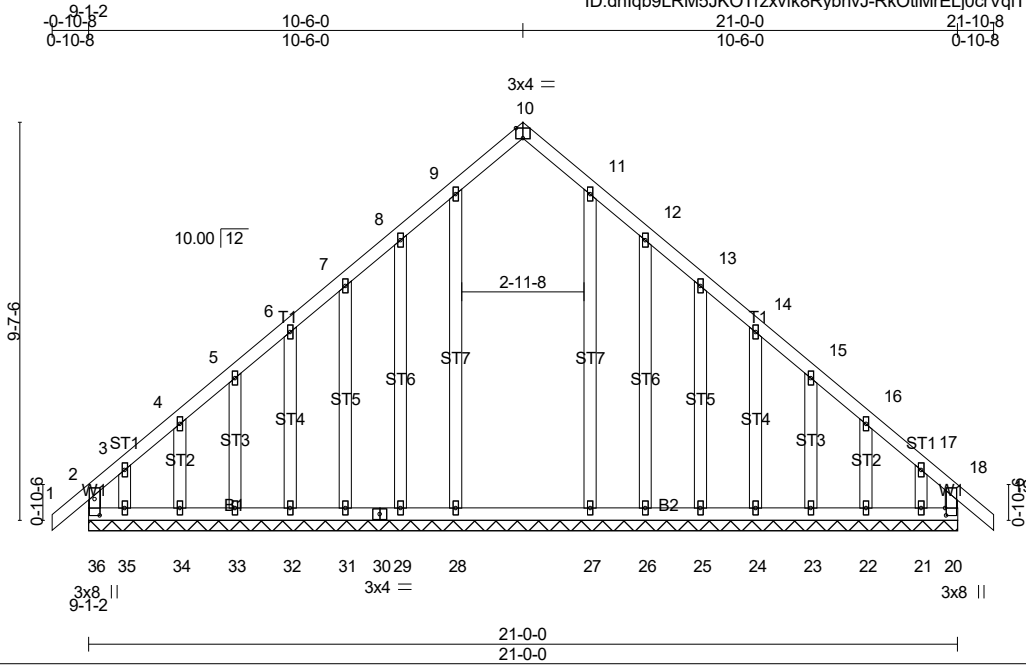
- 11) One H2.5A Simpson Strong-Tie connectors recommended to connect truss to bearing walls due to UPLIFT at jt(s) 2 and 15. This connection is for uplift only and does not consider lateral forces.
- 12) This truss is designed in accordance with the 2015 International Residential Code sections R502.11.1 and R802.10.2 and referenced standard ANSI/TPI 1.

LOAD CASE(S) Standard

Job 2310930	Truss B1E	Truss Type GABLE	Qty 1	Ply 1	Lamco Custom - Kristie Base Job Reference (optional)
----------------	--------------	---------------------	----------	----------	---

Probuild East, Albemarle, NC 28001

8.240 s Mar 9 2020 MiTek Industries, Inc. Mon Apr 20 14:36:02 2020 Page 1
ID:dn1qb9LRM5JKOTrzxvfk8RybnvJ-RkOtIMrELj0crVqITUyC?deJ3j3ditjuzSIHCuzOnNB



Scale = 1:55.7

Plate Offsets (X,Y)-- [10:0-2-0,Edge], [20:0-2-2,0-0-4], [36:0-4-12,0-1-8]

LOADING (psf)		SPACING-	2-0-0	CSI.		DEFL.	in (loc)	l/defl	L/d	PLATES	GRIP
TCLL (roof)	20.0	Plate Grip DOL	1.15	TC	0.11	Vert(LL)	-0.00	19	n/r	MT20	244/190
Snow (Pf/Pg)	15.4/20.0	Lumber DOL	1.15	BC	0.12	Vert(CT)	-0.00	19	n/r		
TCDL	10.0	Rep Stress Incr	YES	WB	0.14	Horz(CT)	0.01	20	n/a		
BCLL	0.0 *	Code IRC2015/TPI2014		Matrix-R							
BCDL	10.0									Weight: 168 lb	FT = 20%

LUMBER-
TOP CHORD 2x4 SP No.2
BOT CHORD 2x4 SP No.2
WEBS 2x4 SP No.2
OTHERS 2x4 SP No.3

BRACING-
TOP CHORD Structural wood sheathing directly applied or 6-0-0 oc purlins, except end verticals.
BOT CHORD Rigid ceiling directly applied or 10-0-0 oc bracing.

MiTek recommends that Stabilizers and required cross bracing be installed during truss erection, in accordance with Stabilizer Installation guide.

REACTIONS. All bearings 21-0-0.
(lb) - Max Horz 36=-173(LC 12)
Max Uplift All uplift 100 lb or less at joint(s) 36, 20, 29, 31, 32, 33, 34, 26, 25, 24, 23, 22 except 35=-165(LC 14), 21=-165(LC 14)
Max Grav All reactions 250 lb or less at joint(s) 20, 28, 29, 31, 32, 33, 34, 35, 27, 26, 25, 24, 23, 22, 21 except 36=256(LC 25)

FORCES. (lb) - Max. Comp./Max. Ten. - All forces 250 (lb) or less except when shown.
TOP CHORD 2-3=-254/182, 17-18=-253/188

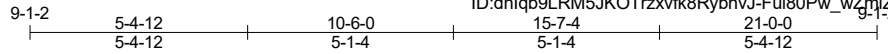
- NOTES-**
- Unbalanced roof live loads have been considered for this design.
 - Wind: ASCE 7-10; Vult=115mph (3-second gust) Vasd=91mph; TCDL=6.0psf; BCDL=3.0psf; h=25ft; B=45ft; L=24ft; eave=2ft; Cat. II; Exp B; Enclosed; MWFRS (directional) and C-C Corner(3) -0-10-8 to 2-2-8, Exterior(2) 2-2-8 to 10-6-0, Corner(3) 10-6-0 to 13-5-8, Exterior(2) 13-5-8 to 21-10-8 zone; cantilever left and right exposed; end vertical left and right exposed; C-C for members and forces & MWFRS for reactions shown; Lumber DOL=1.60 plate grip DOL=1.60
 - Truss designed for wind loads in the plane of the truss only. For studs exposed to wind (normal to the face), see Standard Industry Gable End Details as applicable, or consult qualified building designer as per ANSI/TPI 1.
 - TCLL: ASCE 7-10; Pr=20.0 psf (roof live load: Lumber DOL=1.15 Plate DOL=1.15); Pg=20.0 psf (ground snow); Pf=15.4 psf (flat roof snow: Lumber DOL=1.15 Plate DOL=1.15); Category II; Exp B; Partially Exp.; Ct=1.10
 - This truss has been designed for greater of min roof live load of 12.0 psf or 1.00 times flat roof load of 15.4 psf on overhangs non-concurrent with other live loads.
 - All plates are 1.5x4 MT20 unless otherwise indicated.
 - Gable requires continuous bottom chord bearing.
 - Truss to be fully sheathed from one face or securely braced against lateral movement (i.e. diagonal web).
 - Gable studs spaced at 1-4-0 oc.
 - This truss has been designed for a 10.0 psf bottom chord live load nonconcurrent with any other live loads.
 - * This truss has been designed for a live load of 20.0psf on the bottom chord in all areas where a rectangle 3-6-0 tall by 2-0-0 wide will fit between the bottom chord and any other members, with BCDL = 10.0psf.
 - This truss is designed in accordance with the 2015 International Residential Code sections R502.11.1 and R802.10.2 and referenced standard ANSI/TPI 1.

LOAD CASE(S) Standard

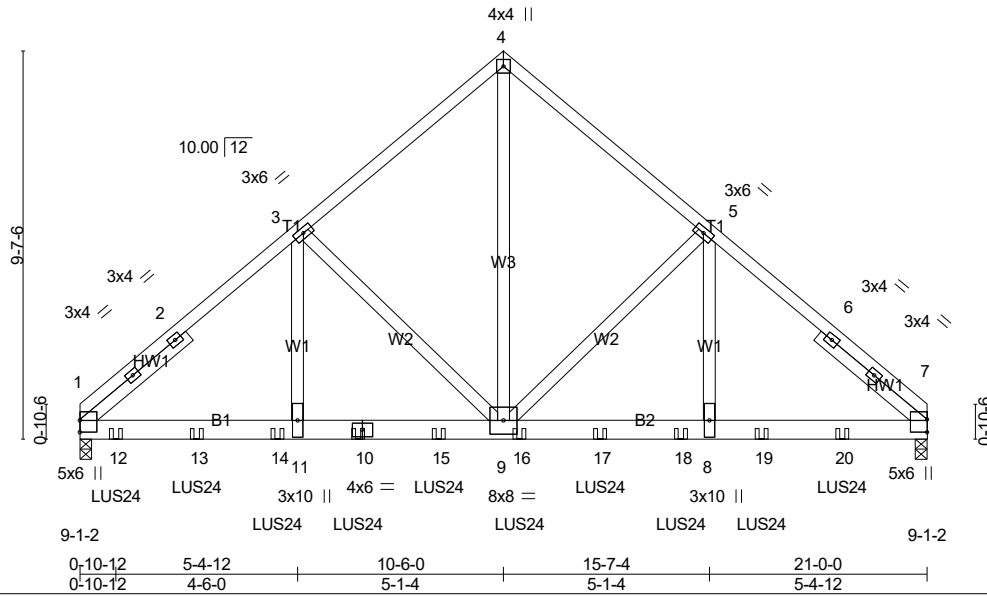
Job 2310930	Truss B2G-2	Truss Type COMMON GIRDER	Qty 1	Ply 2	Lamco Custom - Kristie Base
----------------	----------------	-----------------------------	----------	----------	-----------------------------

Probuild East, Albemarle, NC 28001

8.240 s Mar 9 2020 MiTek Industries, Inc. Mon Apr 20 14:36:08 2020 Page 1
 ID: dnlqb9LRM5JKOTrzxvfk8RybnvJ-Ful80Pw_wZmZQlvpk3cEuuF8zb6R3nL0CcQYzOnN5



Scale = 1:57.1



LOADING (psf)	SPACING-	CSI.	DEFL.	PLATES	GRIP
TCLL (roof) 20.0	2-0-0	TC 0.49	in (loc) l/defl L/d	MT20	244/190
Snow (Pf/Pg) 15.4/20.0	Plate Grip DOL 1.15	BC 0.73	Vert(LL) -0.07 8-9 >999 360		
TCDL 10.0	Lumber DOL 1.15	WB 0.79	Vert(CT) -0.13 8-9 >999 240		
BCLL 0.0 *	Rep Stress Incr NO	Matrix-SH	Horz(CT) 0.04 7 n/a n/a		
BCDL 10.0	Code IRC2015/TPI2014		Wind(LL) 0.03 8-9 >999 240	Weight: 295 lb	FT = 20%

LUMBER-

TOP CHORD 2x4 SP No.2
 BOT CHORD 2x6 SP No.2
 WEBS 2x4 SP No.3
 SLIDER Left 2x4 SP No.3 3-5-3, Right 2x4 SP No.3 3-5-3

BRACING-

TOP CHORD Structural wood sheathing directly applied or 5-2-7 oc purlins.
 BOT CHORD Rigid ceiling directly applied or 10-0-0 oc bracing.

REACTIONS. (lb/size) 1=3727/0-3-8 (min. 0-3-5), 7=3407/0-3-8 (min. 0-3-1)
 Max Horz 1=-152(LC 29)
 Max Uplift 1=-245(LC 10), 7=-224(LC 10)
 Max Grav 1=4229(LC 2), 7=3866(LC 2)

FORCES. (lb) - Max. Comp./Max. Ten. - All forces 250 (lb) or less except when shown.
 TOP CHORD 1-2=-4813/283, 2-3=-4715/313, 3-4=-3313/284, 4-5=-3312/284, 5-6=-4694/312, 6-7=-4793/282
 BOT CHORD 1-12=-161/3545, 12-13=-161/3545, 13-14=-161/3545, 11-14=-161/3545, 10-11=-161/3545, 10-15=-161/3545, 9-15=-161/3545, 9-16=-160/3523, 16-17=-160/3523, 17-18=-160/3523, 8-18=-160/3523, 8-19=-160/3523, 19-20=-160/3523, 7-20=-160/3523
 WEBS 4-9=-291/3807, 5-9=-1445/165, 5-8=-77/1723, 3-9=-1477/167, 3-11=-79/1749

NOTES-

- 2-ply truss to be connected together with 10d (0.131"x3") nails as follows:
 Top chords connected as follows: 2x4 - 1 row at 0-9-0 oc.
 Bottom chords connected as follows: 2x6 - 2 rows staggered at 0-9-0 oc.
 Webs connected as follows: 2x4 - 1 row at 0-9-0 oc.
- All loads are considered equally applied to all plies, except if noted as front (F) or back (B) face in the LOAD CASE(S) section. Ply to ply connections have been provided to distribute only loads noted as (F) or (B), unless otherwise indicated.
- Unbalanced roof live loads have been considered for this design.
- Wind: ASCE 7-10; Vult=115mph (3-second gust) Vasd=91mph; TCDL=6.0psf; BCDL=3.0psf; h=25ft; B=45ft; L=24ft; eave=4ft; Cat. II; Exp B; Enclosed; MWFRS (directional); cantilever left and right exposed; end vertical left and right exposed; Lumber DOL=1.60 plate grip DOL=1.60
- TCLL: ASCE 7-10; Pr=20.0 psf (roof live load: Lumber DOL=1.15 Plate DOL=1.15); Pg=20.0 psf (ground snow); Pf=15.4 psf (flat roof snow: Lumber DOL=1.15 Plate DOL=1.15); Category II; Exp B; Partially Exp.; Ct=1.10
- This truss has been designed for a 10.0 psf bottom chord live load nonconcurrent with any other live loads.
- * This truss has been designed for a live load of 20.0psf on the bottom chord in all areas where a rectangle 3-6-0 tall by 2-0-0 wide will fit between the bottom chord and any other members.
- One H2.5A Simpson Strong-Tie connectors recommended to connect truss to bearing walls due to UPLIFT at jt(s) 1 and 7. This connection is for uplift only and does not consider lateral forces.
- This truss is designed in accordance with the 2015 International Residential Code sections R502.11.1 and R802.10.2 and referenced standard ANSI/TPI 1.
- Use Simpson Strong-Tie LUS24 (4-10d Girder, 2-10d Truss, Single Ply Girder) or equivalent spaced at 2-0-0 oc max. starting at 0-10-12 from the left end to 18-10-12 to connect truss(es) A5 (1 ply 2x6 SP) to back face of bottom chord.
- Fill all nail holes where hanger is in contact with lumber.

LOAD CASE(S) Standard

Job	Truss	Truss Type	Qty	Ply	Lamco Custom - Kristie Base
2310930	B2G-2	COMMON GIRDER	1	2	Job Reference (optional)

Probuild East, Albemarle, NC 28001

8.240 s Mar 9 2020 MiTek Industries, Inc. Mon Apr 20 14:36:08 2020 Page 2
 ID:dnlqb9LRM5JKOTrzxvfk8RybnvJ-Ful80Pw_wZmlZQlvpk3cEuuFc8zb6R3nLOccQYzOnN5

LOAD CASE(S) Standard

1) Dead + Snow (balanced): Lumber Increase=1.15, Plate Increase=1.15

Uniform Loads (plf)

Vert: 1-4=-51, 4-7=-51, 1-7=-20

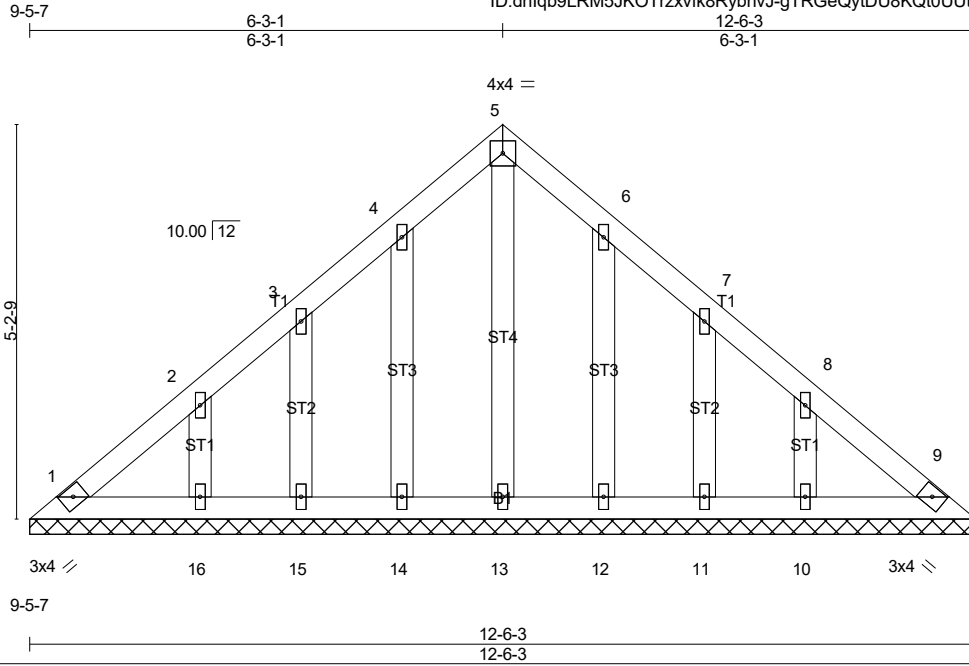
Concentrated Loads (lb)

Vert: 10=-565(B) 12=-566(B) 13=-565(B) 14=-565(B) 15=-565(B) 16=-565(B) 17=-565(B) 18=-565(B) 19=-565(B) 20=-565(B)

Job 2310930	Truss VA1	Truss Type GABLE	Qty 1	Ply 1	Lamco Custom - Kristie Base
----------------	--------------	---------------------	----------	----------	-----------------------------

Probuild East, Albemarle, NC 28001

8.240 s Mar 9 2020 MiTek Industries, Inc. Mon Apr 20 14:36:11 2020 Page 1
 ID: dnlqb9LRM5JKOTrzxvfk8RybnvJ-gTRGeQytDU8KQt0UUtCJsWWsYL9DIzcD1MRG1tzOnN2



Scale = 1:30.5

LOADING (psf)	SPACING-	CSI.	DEFL.	PLATES	GRIP
TCLL (roof) 20.0	2-0-0	TC 0.03	in (loc) l/defl L/d	MT20	244/190
Snow (Pf/Pg) 15.4/20.0	Plate Grip DOL 1.15	BC 0.03	Vert(LL) n/a - n/a 999		
TCDL 10.0	Lumber DOL 1.15	WB 0.03	Vert(CT) n/a - n/a 999		
BCLL 0.0 *	Rep Stress Incr YES	Matrix-SH	Horz(CT) 0.00 9 n/a n/a		
BCDL 10.0	Code IRC2015/TPI2014			Weight: 70 lb	FT = 20%

LUMBER-
 TOP CHORD 2x4 SP No.2
 BOT CHORD 2x4 SP No.2
 OTHERS 2x4 SP No.3

BRACING-
 TOP CHORD Structural wood sheathing directly applied or 6-0-0 oc purlins.
 BOT CHORD Rigid ceiling directly applied or 10-0-0 oc bracing.

MiTek recommends that Stabilizers and required cross bracing be installed during truss erection, in accordance with Stabilizer Installation guide.

REACTIONS. All bearings 12-6-3.
 (lb) - Max Horz 1=81(LC 13)
 Max Uplift All uplift 100 lb or less at joint(s) 14, 15, 16, 12, 11, 10
 Max Grav All reactions 250 lb or less at joint(s) 1, 9, 13, 14, 15, 16, 12, 11, 10

FORCES. (lb) - Max. Comp./Max. Ten. - All forces 250 (lb) or less except when shown.

NOTES-

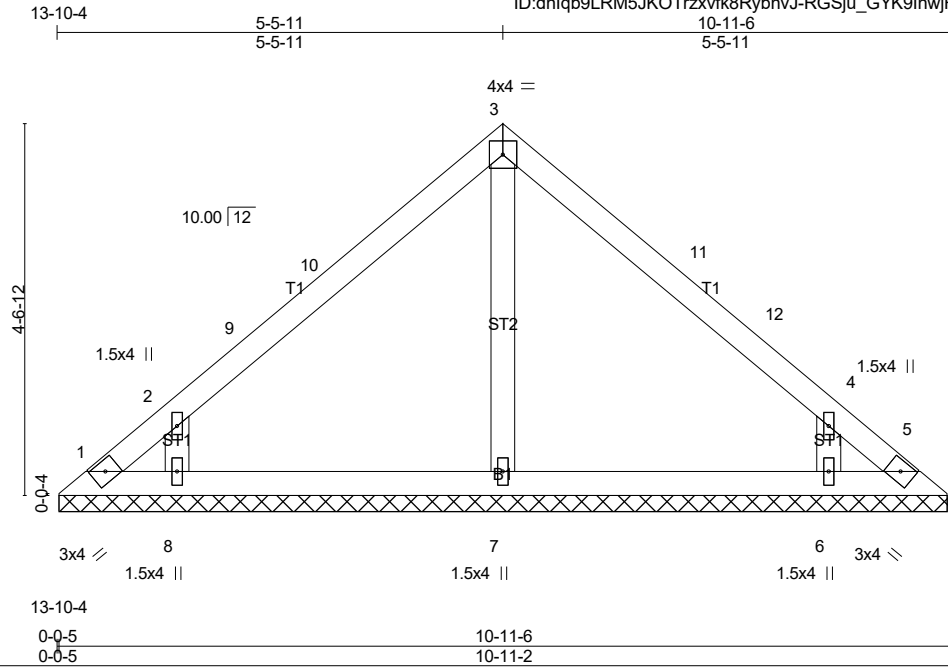
- Unbalanced roof live loads have been considered for this design.
- Wind: ASCE 7-10; Vult=115mph (3-second gust) Vasd=91mph; TCDL=6.0psf; BCDL=3.0psf; h=25ft; B=45ft; L=24ft; eave=2ft; Cat. II; Exp B; Enclosed; MWFRS (directional) and C-C Corner(3) 0-4-13 to 3-7-1, Exterior(2) 3-7-1 to 6-3-1, Corner(3) 6-3-1 to 9-3-1, Exterior(2) 9-3-1 to 12-1-5 zone; cantilever left and right exposed; end vertical left and right exposed; C-C for members and forces & MWFRS for reactions shown; Lumber DOL=1.60 plate grip DOL=1.60
- Truss designed for wind loads in the plane of the truss only. For studs exposed to wind (normal to the face), see Standard Industry Gable End Details as applicable, or consult qualified building designer as per ANSI/TPI 1.
- TCLL: ASCE 7-10; Pr=20.0 psf (roof live load: Lumber DOL=1.15 Plate DOL=1.15); Pg=20.0 psf (ground snow); Pf=15.4 psf (flat roof snow: Lumber DOL=1.15 Plate DOL=1.15); Category II; Exp B; Partially Exp.; Ct=1.10
- All plates are 1.5x4 MT20 unless otherwise indicated.
- Gable requires continuous bottom chord bearing.
- Gable studs spaced at 1-4-0 oc.
- This truss has been designed for a 10.0 psf bottom chord live load nonconcurrent with any other live loads.
- * This truss has been designed for a live load of 20.0psf on the bottom chord in all areas where a rectangle 3-6-0 tall by 2-0-0 wide will fit between the bottom chord and any other members.
- This truss is designed in accordance with the 2015 International Residential Code sections R502.11.1 and R802.10.2 and referenced standard ANSI/TPI 1.

LOAD CASE(S) Standard

Job 2310930	Truss VA10	Truss Type Valley	Qty 1	Ply 1	Lamco Custom - Kristie Base
----------------	---------------	----------------------	----------	----------	-----------------------------

Probuild East, Albemarle, NC 28001

8.240 s Mar 9 2020 MiTek Industries, Inc. Mon Apr 20 14:36:36 2020 Page 1
ID:dnlqb9LRM5JKOTrzxvfk8RybnvJ-RGSju_GYK9InwjRHSdZANo25uQgcfHUvnl_4OwzOnMf



Scale = 1:28.3

LOADING (psf)	SPACING-	CSI.	DEFL.	PLATES	GRIP
TCLL (roof) 20.0	2-0-0	TC 0.21	in (loc) l/defl L/d	MT20	244/190
Snow (Pf/Pg) 15.4/20.0	Plate Grip DOL 1.15	BC 0.12	Vert(LL) n/a - n/a 999		
TCDL 10.0	Lumber DOL 1.15	WB 0.05	Vert(CT) n/a - n/a 999		
BCLL 0.0 *	Rep Stress Incr YES	Matrix-P	Horz(CT) 0.00 5 n/a n/a		
BCDL 10.0	Code IRC2015/TPI2014			Weight: 44 lb	FT = 20%

LUMBER-
TOP CHORD 2x4 SP No.2
BOT CHORD 2x4 SP No.2
OTHERS 2x4 SP No.3

BRACING-
TOP CHORD Structural wood sheathing directly applied or 6-0-0 oc purlins.
BOT CHORD Rigid ceiling directly applied or 10-0-0 oc bracing.

MiTek recommends that Stabilizers and required cross bracing be installed during truss erection, in accordance with Stabilizer Installation guide.

REACTIONS. All bearings 10-10-13.
(lb) - Max Horz 1=-70(LC 12)
Max Uplift All uplift 100 lb or less at joint(s) 1, 5, 8, 6
Max Grav All reactions 250 lb or less at joint(s) 1, 5, 7 except 8=339(LC 23), 6=339(LC 24)

FORCES. (lb) - Max. Comp./Max. Ten. - All forces 250 (lb) or less except when shown.
WEBS 2-8=-273/163, 4-6=-273/163

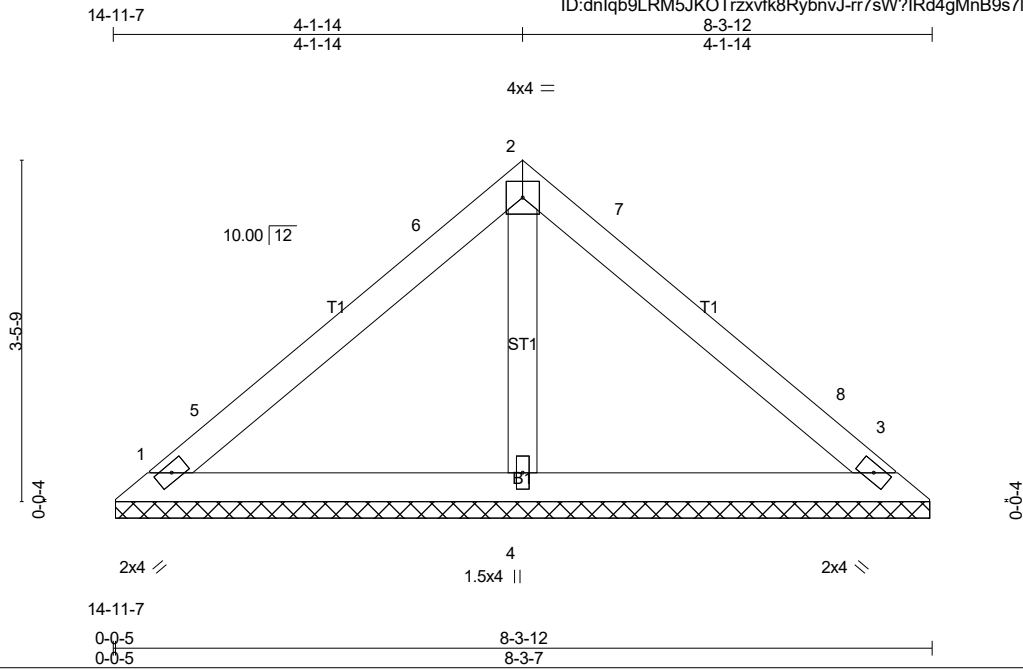
- NOTES-**
- Unbalanced roof live loads have been considered for this design.
 - Wind: ASCE 7-10; Vult=115mph (3-second gust) Vasd=91mph; TCDL=6.0psf; BCDL=3.0psf; h=25ft; B=45ft; L=24ft; eave=4ft; Cat. II; Exp B; Enclosed; MWFRS (directional) and C-C Exterior(2) 0-4-13 to 3-4-13, Interior(1) 3-4-13 to 5-5-11, Exterior(2) 5-5-11 to 8-5-11, Interior(1) 8-5-11 to 10-6-9 zone; cantilever left and right exposed; end vertical left and right exposed; C-C for members and forces & MWFRS for reactions shown; Lumber DOL=1.60 plate grip DOL=1.60
 - TCLL: ASCE 7-10; Pr=20.0 psf (roof live load: Lumber DOL=1.15 Plate DOL=1.15); Pg=20.0 psf (ground snow); Pf=15.4 psf (flat roof snow: Lumber DOL=1.15 Plate DOL=1.15); Category II; Exp B; Partially Exp.; Ct=1.10
 - Gable requires continuous bottom chord bearing.
 - This truss has been designed for a 10.0 psf bottom chord live load nonconcurrent with any other live loads.
 - * This truss has been designed for a live load of 20.0psf on the bottom chord in all areas where a rectangle 3-6-0 tall by 2-0-0 wide will fit between the bottom chord and any other members.
 - This truss is designed in accordance with the 2015 International Residential Code sections R502.11.1 and R802.10.2 and referenced standard ANSI/TPI 1.

LOAD CASE(S) Standard

Job 2310930	Truss VA11	Truss Type Valley	Qty 1	Ply 1	Lamco Custom - Kristie Base Job Reference (optional)
----------------	---------------	----------------------	----------	----------	---

Probuild East, Albemarle, NC 28001

8.240 s Mar 9 2020 MiTek Industries, Inc. Mon Apr 20 14:36:39 2020 Page 1
ID:dnlqb9LRM5JKOTRzxvfk8RybnvJ-rr7sW?IRd4gMnB9s716t?QgbAehzsePLTjDI?FzOnMc



Scale = 1:23.4

LOADING (psf)	SPACING-	CSI.	DEFL.	PLATES	GRIP
TCLL (roof) 20.0	2-0-0	TC 0.27	in (loc) l/defl L/d	MT20	244/190
Snow (Pf/Pg) 15.4/20.0	Plate Grip DOL 1.15	BC 0.14	Vert(LL) n/a - n/a 999		
TCDL 10.0	Lumber DOL 1.15	WB 0.04	Vert(CT) n/a - n/a 999		
BCLL 0.0 *	Rep Stress Incr YES	Matrix-P	Horz(CT) 0.00 3 n/a n/a		
BCDL 10.0	Code IRC2015/TPI2014			Weight: 31 lb	FT = 20%

LUMBER-
TOP CHORD 2x4 SP No.2
BOT CHORD 2x4 SP No.2
OTHERS 2x4 SP No.3

BRACING-
TOP CHORD Structural wood sheathing directly applied or 6-0-0 oc purlins.
BOT CHORD Rigid ceiling directly applied or 10-0-0 oc bracing.

MiTek recommends that Stabilizers and required cross bracing be installed during truss erection, in accordance with Stabilizer Installation guide.

REACTIONS. (lb/size) 1=150/8-3-2 (min. 0-1-8), 3=150/8-3-2 (min. 0-1-8), 4=231/8-3-2 (min. 0-1-8)
Max Horz 1=-52(LC 12)
Max Uplift 1=-24(LC 14), 3=-24(LC 14)
Max Grav 1=172(LC 2), 3=172(LC 2), 4=256(LC 2)

FORCES. (lb) - Max. Comp./Max. Ten. - All forces 250 (lb) or less except when shown.

NOTES-

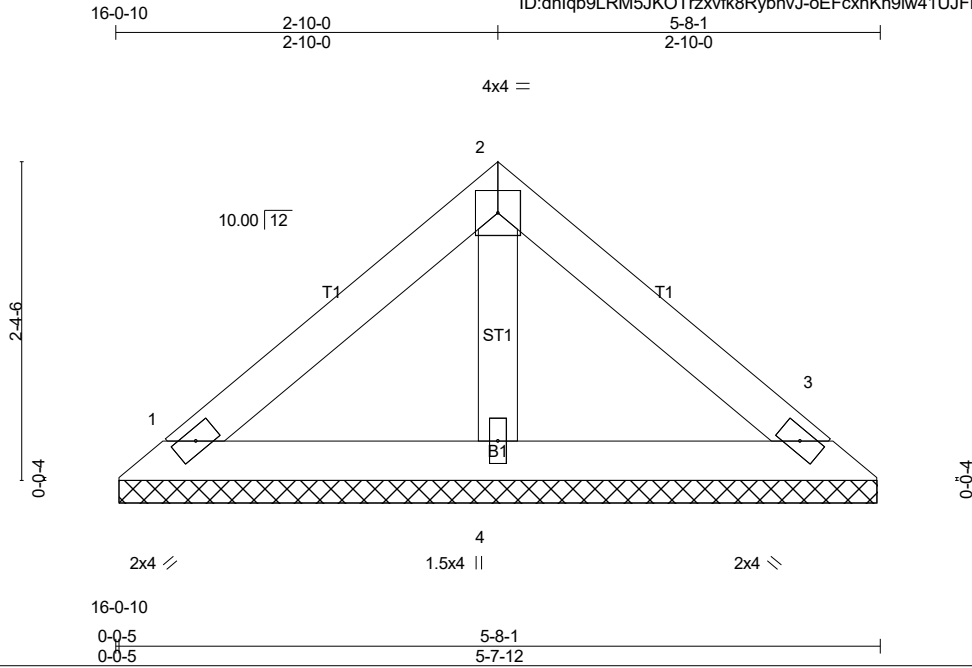
- 1) Unbalanced roof live loads have been considered for this design.
- 2) Wind: ASCE 7-10; Vult=115mph (3-second gust) Vasd=91mph; TCDL=6.0psf; BCDL=3.0psf; h=25ft; B=45ft; L=24ft; eave=4ft; Cat. II; Exp B; Enclosed; MWFRS (directional) and C-C Exterior(2) 0-4-13 to 3-4-13, Interior(1) 3-4-13 to 4-1-14, Exterior(2) 4-1-14 to 7-1-14, Interior(1) 7-1-14 to 7-10-14 zone; cantilever left and right exposed; end vertical left and right exposed; C-C for members and forces & MWFRS for reactions shown; Lumber DOL=1.60 plate grip DOL=1.60
- 3) TCLL: ASCE 7-10; Pr=20.0 psf (roof live load: Lumber DOL=1.15 Plate DOL=1.15); Pg=20.0 psf (ground snow); Pf=15.4 psf (flat roof snow: Lumber DOL=1.15 Plate DOL=1.15); Category II; Exp B; Partially Exp.; Ct=1.10
- 4) Gable requires continuous bottom chord bearing.
- 5) This truss has been designed for a 10.0 psf bottom chord live load nonconcurrent with any other live loads.
- 6) * This truss has been designed for a live load of 20.0psf on the bottom chord in all areas where a rectangle 3-6-0 tall by 2-0-0 wide will fit between the bottom chord and any other members.
- 7) This truss is designed in accordance with the 2015 International Residential Code sections R502.11.1 and R802.10.2 and referenced standard ANSI/TPI 1.

LOAD CASE(S) Standard

Job 2310930	Truss VA12	Truss Type Valley	Qty 1	Ply 1	Lamco Custom - Kristie Base Job Reference (optional)
----------------	---------------	----------------------	----------	----------	---

Probuild East, Albemarle, NC 28001

8,240 s Mar 9 2020 MiTek Industries, Inc. Mon Apr 20 14:36:41 2020 Page 1
ID: dnlqb9LRM5JKOTrzxvfk8RybnvJ-oEFcxhKh9iw41UJFFA8L4rmzGROjKYCex1ir47zOnMa



Scale = 1:17.1

LOADING (psf)	SPACING-	CSI.	DEFL.	PLATES	GRIP
TCLL (roof) 20.0	2-0-0	TC 0.11	in (loc) l/defl L/d	MT20	244/190
Snow (Pf/Pg) 15.4/20.0	Plate Grip DOL 1.15	BC 0.06	Vert(LL) n/a - n/a 999		
TCDL 10.0	Lumber DOL 1.15	WB 0.02	Vert(CT) n/a - n/a 999		
BCLL 0.0 *	Rep Stress Incr YES	Matrix-P	Horz(CT) 0.00 3 n/a n/a		
BCDL 10.0	Code IRC2015/TPI2014			Weight: 20 lb	FT = 20%

LUMBER-
TOP CHORD 2x4 SP No.2
BOT CHORD 2x4 SP No.2
OTHERS 2x4 SP No.3

BRACING-
TOP CHORD
BOT CHORD

Structural wood sheathing directly applied or 5-8-1 oc purlins.
Rigid ceiling directly applied or 10-0-0 oc bracing.

MiTek recommends that Stabilizers and required cross bracing be installed during truss erection, in accordance with Stabilizer Installation guide.

REACTIONS. (lb/size) 1=97/5-7-7 (min. 0-1-8), 3=97/5-7-7 (min. 0-1-8), 4=150/5-7-7 (min. 0-1-8)
Max Horz 1=-34(LC 12)
Max Uplift 1=-15(LC 14), 3=-15(LC 14)
Max Grav 1=112(LC 2), 3=112(LC 2), 4=166(LC 2)

FORCES. (lb) - Max. Comp./Max. Ten. - All forces 250 (lb) or less except when shown.

NOTES-

- Unbalanced roof live loads have been considered for this design.
- Wind: ASCE 7-10; Vult=115mph (3-second gust) Vasd=91mph; TCDL=6.0psf; BCDL=3.0psf; h=25ft; B=45ft; L=24ft; eave=4ft; Cat. II; Exp B; Enclosed; MWFRS (directional) and C-C Exterior(2) zone; cantilever left and right exposed ; end vertical left and right exposed; C-C for members and forces & MWFRS for reactions shown; Lumber DOL=1.60 plate grip DOL=1.60
- TCLL: ASCE 7-10; Pr=20.0 psf (roof live load: Lumber DOL=1.15 Plate DOL=1.15); Pg=20.0 psf (ground snow); Pf=15.4 psf (flat roof snow: Lumber DOL=1.15 Plate DOL=1.15); Category II; Exp B; Partially Exp.; Ct=1.10
- Gable requires continuous bottom chord bearing.
- This truss has been designed for a 10.0 psf bottom chord live load nonconcurrent with any other live loads.
- * This truss has been designed for a live load of 20.0psf on the bottom chord in all areas where a rectangle 3-6-0 tall by 2-0-0 wide will fit between the bottom chord and any other members.
- This truss is designed in accordance with the 2015 International Residential Code sections R502.11.1 and R802.10.2 and referenced standard ANSI/TPI 1.

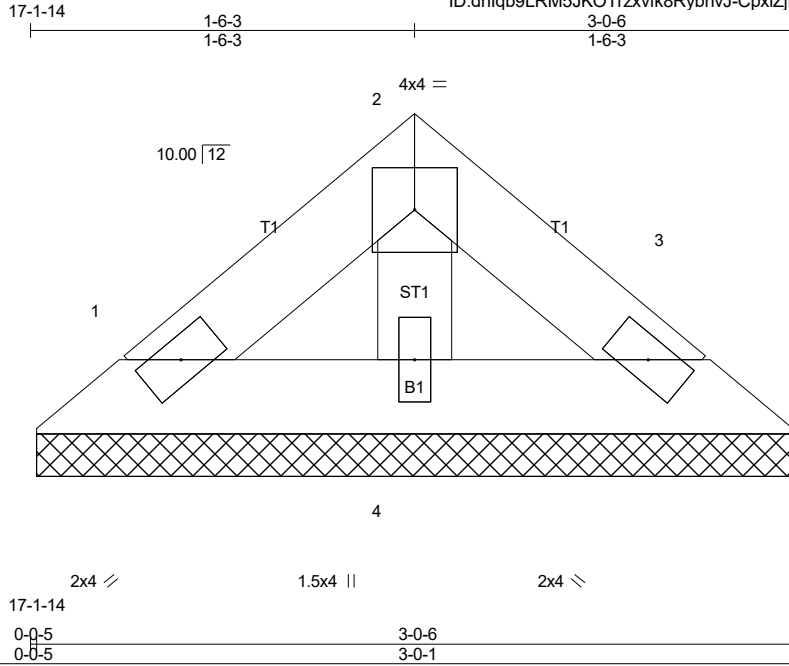
LOAD CASE(S) Standard

Job 2310930	Truss VA13	Truss Type Valley	Qty 1	Ply 1	Lamco Custom - Kristie Base Job Reference (optional)
----------------	---------------	----------------------	----------	----------	---

Probuild East, Albemarle, NC 28001

8.240 s Mar 9 2020 MiTek Industries, Inc. Mon Apr 20 14:36:44 2020 Page 1

ID:dnlqb9LRM5JKOTrzxvfk8RybnvJ-CpxlZjMaSdJeuy2qwli2ITNVsfQ9Xv84d?wVgSzOnMX



Scale = 1:9.1

LOADING (psf)	SPACING-	CSI.	DEFL.	PLATES	GRIP
TCLL (roof) 20.0	2-0-0	TC 0.02	in (loc) l/defl L/d	MT20	244/190
Snow (Pf/Pg) 15.4/20.0	Plate Grip DOL 1.15	BC 0.01	Vert(LL) n/a - n/a 999		
TCDL 10.0	Lumber DOL 1.15	WB 0.01	Vert(CT) n/a - n/a 999		
BCLL 0.0 *	Rep Stress Incr YES	Matrix-P	Horz(CT) 0.00 3 n/a n/a		
BCDL 10.0	Code IRC2015/TPI2014			Weight: 10 lb	FT = 20%

LUMBER-
TOP CHORD 2x4 SP No.2
BOT CHORD 2x4 SP No.2
OTHERS 2x4 SP No.3

BRACING-
TOP CHORD Structural wood sheathing directly applied or 3-0-6 oc purlins.
BOT CHORD Rigid ceiling directly applied or 10-0-0 oc bracing.

MiTek recommends that Stabilizers and required cross bracing be installed during truss erection, in accordance with Stabilizer Installation guide.

REACTIONS. (lb/size) 1=45/2-11-12 (min. 0-1-8), 3=45/2-11-12 (min. 0-1-8), 4=68/2-11-12 (min. 0-1-8)
Max Horz 1=-15(LC 12)
Max Uplift 1=-7(LC 14), 3=-7(LC 14)
Max Grav 1=51(LC 2), 3=51(LC 2), 4=76(LC 2)

FORCES. (lb) - Max. Comp./Max. Ten. - All forces 250 (lb) or less except when shown.

NOTES-

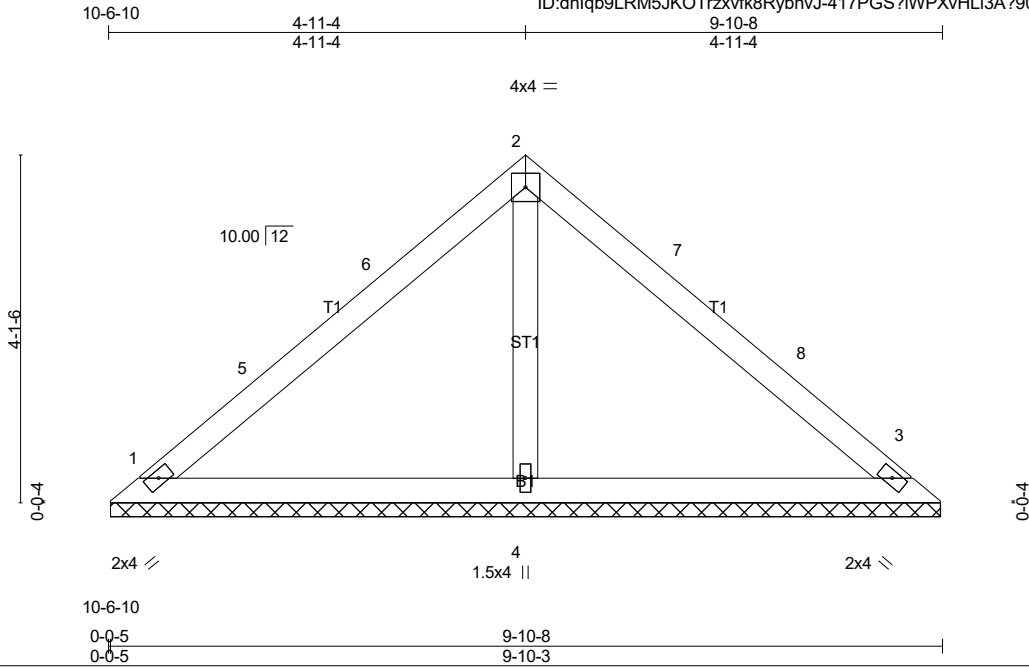
- Unbalanced roof live loads have been considered for this design.
- Wind: ASCE 7-10; Vult=115mph (3-second gust) Vasd=91mph; TCDL=6.0psf; BCDL=3.0psf; h=25ft; B=45ft; L=24ft; eave=4ft; Cat. II; Exp B; Enclosed; MWFRS (directional) and C-C Exterior(2) zone; cantilever left and right exposed ; end vertical left and right exposed; C-C for members and forces & MWFRS for reactions shown; Lumber DOL=1.60 plate grip DOL=1.60
- TCLL: ASCE 7-10; Pr=20.0 psf (roof live load: Lumber DOL=1.15 Plate DOL=1.15); Pg=20.0 psf (ground snow); Pf=15.4 psf (flat roof snow: Lumber DOL=1.15 Plate DOL=1.15); Category II; Exp B; Partially Exp.; Ct=1.10
- Gable requires continuous bottom chord bearing.
- This truss has been designed for a 10.0 psf bottom chord live load nonconcurrent with any other live loads.
- * This truss has been designed for a live load of 20.0psf on the bottom chord in all areas where a rectangle 3-6-0 tall by 2-0-0 wide will fit between the bottom chord and any other members.
- This truss is designed in accordance with the 2015 International Residential Code sections R502.11.1 and R802.10.2 and referenced standard ANSI/TPI 1.

LOAD CASE(S) Standard

Job 2310930	Truss VA2	Truss Type Valley	Qty 1	Ply 1	Lamco Custom - Kristie Base
----------------	--------------	----------------------	----------	----------	-----------------------------

Probuild East, Albemarle, NC 28001

8.240 s Mar 9 2020 MiTek Industries, Inc. Mon Apr 20 14:36:14 2020 Page 1
 ID:dnIqb9LRM5JKOTrzxvfk8RybnvJ-417PGS?IWPXvHLI3A?90U98HJZ85VKvfkKfweCzOnN?



Scale = 1:27.3

LOADING (psf)	SPACING-	CSI.	DEFL.	PLATES	GRIP
TCLL (roof) 20.0	2-0-0	TC 0.41	in (loc) l/defl L/d	MT20	244/190
Snow (Pf/Pg) 15.4/20.0	Plate Grip DOL 1.15	BC 0.21	Vert(LL) n/a - n/a 999		
TCDL 10.0	Lumber DOL 1.15	WB 0.06	Vert(CT) n/a - n/a 999		
BCLL 0.0 *	Rep Stress Incr YES	Matrix-P	Horz(CT) 0.00 3 n/a n/a		
BCDL 10.0	Code IRC2015/TPI2014			Weight: 37 lb	FT = 20%

LUMBER-
 TOP CHORD 2x4 SP No.2
 BOT CHORD 2x4 SP No.2
 OTHERS 2x4 SP No.3

BRACING-
 TOP CHORD Structural wood sheathing directly applied or 6-0-0 oc purlins.
 BOT CHORD Rigid ceiling directly applied or 10-0-0 oc bracing.

MiTek recommends that Stabilizers and required cross bracing be installed during truss erection, in accordance with Stabilizer Installation guide.

REACTIONS. (lb/size) 1=181/9-9-14 (min. 0-1-8), 3=181/9-9-14 (min. 0-1-8), 4=279/9-9-14 (min. 0-1-8)
 Max Horz 1=-63(LC 12)
 Max Uplift 1=-28(LC 14), 3=-28(LC 14)
 Max Grav 1=208(LC 2), 3=208(LC 2), 4=309(LC 2)

FORCES. (lb) - Max. Comp./Max. Ten. - All forces 250 (lb) or less except when shown.

NOTES-

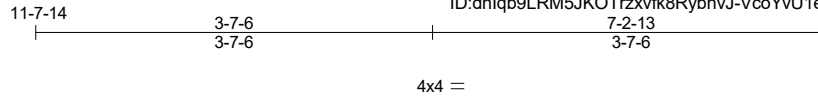
- Unbalanced roof live loads have been considered for this design.
- Wind: ASCE 7-10; Vult=115mph (3-second gust) Vasd=91mph; TCDL=6.0psf; BCDL=3.0psf; h=25ft; B=45ft; L=24ft; eave=4ft; Cat. II; Exp B; Enclosed; MWFRS (directional) and C-C Exterior(2) 0-4-13 to 3-4-13, Interior(1) 3-4-13 to 4-11-4, Exterior(2) 4-11-4 to 7-11-4, Interior(1) 7-11-4 to 9-5-10 zone; cantilever left and right exposed; end vertical left and right exposed; C-C for members and forces & MWFRS for reactions shown; Lumber DOL=1.60 plate grip DOL=1.60
- TCLL: ASCE 7-10; Pr=20.0 psf (roof live load: Lumber DOL=1.15 Plate DOL=1.15); Pg=20.0 psf (ground snow); Pf=15.4 psf (flat roof snow: Lumber DOL=1.15 Plate DOL=1.15); Category II; Exp B; Partially Exp.; Ct=1.10
- Gable requires continuous bottom chord bearing.
- This truss has been designed for a 10.0 psf bottom chord live load nonconcurrent with any other live loads.
- * This truss has been designed for a live load of 20.0psf on the bottom chord in all areas where a rectangle 3-6-0 tall by 2-0-0 wide will fit between the bottom chord and any other members.
- This truss is designed in accordance with the 2015 International Residential Code sections R502.11.1 and R802.10.2 and referenced standard ANSI/TPI 1.

LOAD CASE(S) Standard

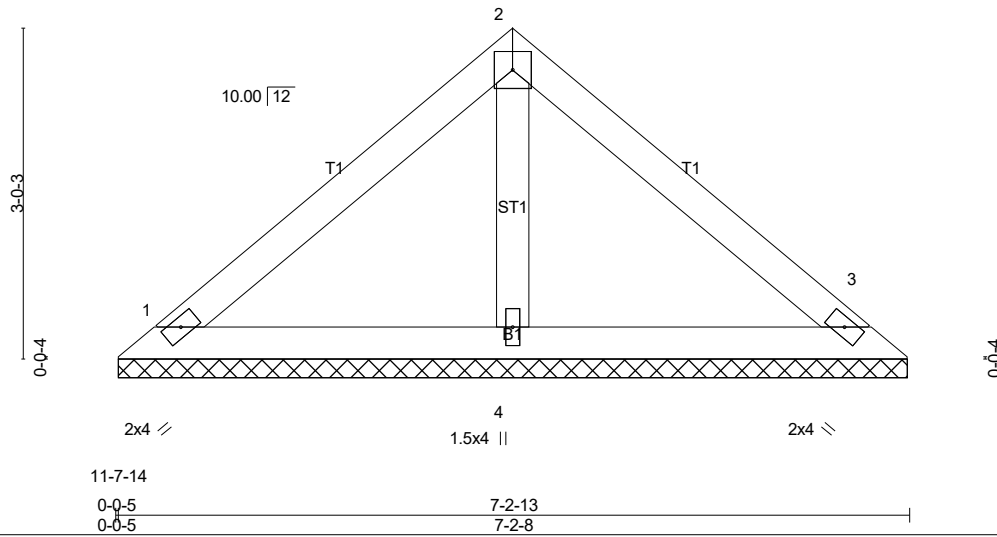
Job 2310930	Truss VA3	Truss Type Valley	Qty 1	Ply 1	Lamco Custom - Kristie Base
----------------	--------------	----------------------	----------	----------	-----------------------------

Probuild East, Albemarle, NC 28001

8.240 s Mar 9 2020 MiTek Industries, Inc. Mon Apr 20 14:36:17 2020 Page 1
ID: dnlqb9LRM5JKOTrzxvfk8RybnvJ-VcoYvU1epKvU8oUer7jj6nmrymBOih56QluaDWzOnMy



Scale = 1:21.0



LOADING (psf)	SPACING-	CSI.	DEFL.	PLATES	GRIP
TCLL (roof) 20.0	2-0-0	TC 0.19	in (loc) l/defl L/d	MT20	244/190
Snow (Pf/Pg) 15.4/20.0	Plate Grip DOL 1.15	BC 0.11	Vert(LL) n/a - n/a 999		
TCDL 10.0	Lumber DOL 1.15	WB 0.03	Vert(CT) n/a - n/a 999		
BCLL 0.0 *	Rep Stress Incr YES	Matrix-P	Horz(CT) 0.00 3 n/a n/a		
BCDL 10.0	Code IRC2015/TPI2014			Weight: 27 lb	FT = 20%

LUMBER-
TOP CHORD 2x4 SP No.2
BOT CHORD 2x4 SP No.2
OTHERS 2x4 SP No.3

BRACING-
TOP CHORD Structural wood sheathing directly applied or 6-0-0 oc purlins.
BOT CHORD Rigid ceiling directly applied or 10-0-0 oc bracing.

MiTek recommends that Stabilizers and required cross bracing be installed during truss erection, in accordance with Stabilizer Installation guide.

REACTIONS. (lb/size) 1=129/7-2-3 (min. 0-1-8), 3=129/7-2-3 (min. 0-1-8), 4=198/7-2-3 (min. 0-1-8)
Max Horz 1=44(LC 13)
Max Uplift 1=-20(LC 14), 3=-20(LC 14)
Max Grav 1=148(LC 2), 3=148(LC 2), 4=219(LC 2)

FORCES. (lb) - Max. Comp./Max. Ten. - All forces 250 (lb) or less except when shown.

NOTES-

- Unbalanced roof live loads have been considered for this design.
- Wind: ASCE 7-10; Vult=115mph (3-second gust) Vasd=91mph; TCDL=6.0psf; BCDL=3.0psf; h=25ft; B=45ft; L=24ft; eave=4ft; Cat. II; Exp B; Enclosed; MWFRS (directional) and C-C Exterior(2) zone; cantilever left and right exposed ; end vertical left and right exposed; C-C for members and forces & MWFRS for reactions shown; Lumber DOL=1.60 plate grip DOL=1.60
- TCLL: ASCE 7-10; Pr=20.0 psf (roof live load: Lumber DOL=1.15 Plate DOL=1.15); Pg=20.0 psf (ground snow); Pf=15.4 psf (flat roof snow: Lumber DOL=1.15 Plate DOL=1.15); Category II; Exp B; Partially Exp.; Ct=1.10
- Gable requires continuous bottom chord bearing.
- This truss has been designed for a 10.0 psf bottom chord live load nonconcurrent with any other live loads.
- * This truss has been designed for a live load of 20.0psf on the bottom chord in all areas where a rectangle 3-6-0 tall by 2-0-0 wide will fit between the bottom chord and any other members.
- This truss is designed in accordance with the 2015 International Residential Code sections R502.11.1 and R802.10.2 and referenced standard ANSI/TPI 1.

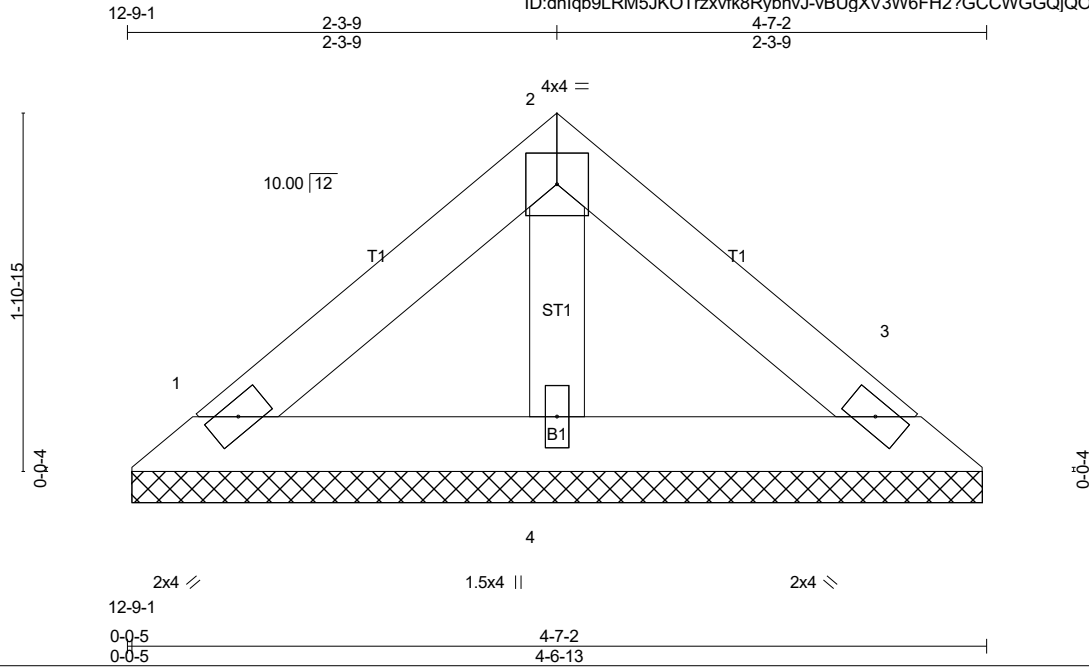
LOAD CASE(S) Standard

Job 2310930	Truss VA4	Truss Type Valley	Qty 1	Ply 1	Lamco Custom - Kristie Base
----------------	--------------	----------------------	----------	----------	-----------------------------

Probuild East, Albemarle, NC 28001

8.240 s Mar 9 2020 MiTek Industries, Inc. Mon Apr 20 14:36:20 2020 Page 1

ID:dnIqb9LRM5JKOTrzxvfk8RybnvJ-vBUgXV3W6FH2?GCCWGGQJQOPGzE9v25Y6G6EqrzOnMv



Scale = 1:12.3

LOADING (psf)	SPACING-	CSI.	DEFL.	PLATES	GRIP
TCLL (roof) 20.0	2'-0-0	TC 0.06	in (loc) l/defl L/d	MT20	244/190
Snow (Pf/Pg) 15.4/20.0	Plate Grip DOL 1.15	BC 0.04	Vert(LL) n/a - n/a 999		
TCDL 10.0	Lumber DOL 1.15	WB 0.02	Vert(CT) n/a - n/a 999		
BCLL 0.0 *	Rep Stress Incr YES	Matrix-P	Horz(CT) 0.00 3 n/a n/a		
BCDL 10.0	Code IRC2015/TPI2014			Weight: 16 lb	FT = 20%

LUMBER-
TOP CHORD 2x4 SP No.2
BOT CHORD 2x4 SP No.2
OTHERS 2x4 SP No.3

BRACING-
TOP CHORD
BOT CHORD

Structural wood sheathing directly applied or 4-7-2 oc purlins.
Rigid ceiling directly applied or 10-0-0 oc bracing.

MiTek recommends that Stabilizers and required cross bracing be installed during truss erection, in accordance with Stabilizer Installation guide.

REACTIONS. (lb/size) 1=76/4-6-8 (min. 0-1-8), 3=76/4-6-8 (min. 0-1-8), 4=117/4-6-8 (min. 0-1-8)
Max Horz 1=26(LC 13)
Max Uplift 1=-12(LC 14), 3=-12(LC 14)
Max Grav 1=87(LC 2), 3=87(LC 2), 4=129(LC 2)

FORCES. (lb) - Max. Comp./Max. Ten. - All forces 250 (lb) or less except when shown.

NOTES-

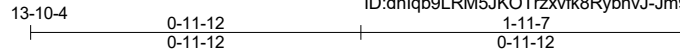
- Unbalanced roof live loads have been considered for this design.
- Wind: ASCE 7-10; Vult=115mph (3-second gust) Vasd=91mph; TCDL=6.0psf; BCDL=3.0psf; h=25ft; B=45ft; L=24ft; eave=4ft; Cat. II; Exp B; Enclosed; MWFRS (directional) and C-C Exterior(2) zone; cantilever left and right exposed ; end vertical left and right exposed; C-C for members and forces & MWFRS for reactions shown; Lumber DOL=1.60 plate grip DOL=1.60
- TCLL: ASCE 7-10; Pr=20.0 psf (roof live load: Lumber DOL=1.15 Plate DOL=1.15); Pg=20.0 psf (ground snow); Pf=15.4 psf (flat roof snow: Lumber DOL=1.15 Plate DOL=1.15); Category II; Exp B; Partially Exp.; Ct=1.10
- Gable requires continuous bottom chord bearing.
- This truss has been designed for a 10.0 psf bottom chord live load nonconcurrent with any other live loads.
- * This truss has been designed for a live load of 20.0psf on the bottom chord in all areas where a rectangle 3-6-0 tall by 2-0-0 wide will fit between the bottom chord and any other members.
- This truss is designed in accordance with the 2015 International Residential Code sections R502.11.1 and R802.10.2 and referenced standard ANSI/TPI 1.

LOAD CASE(S) Standard

Job 2310930	Truss VA5	Truss Type Valley	Qty 1	Ply 1	Lamco Custom - Kristie Base
					Job Reference (optional)

Probuild East, Albemarle, NC 28001

8.240 s Mar 9 2020 MiTek Industries, Inc. Mon Apr 20 14:36:23 2020 Page 1
ID:dnlqb9LRM5JKOTrzxvfk8RybnvJ-Jm9p9X6POAfdtjxnBOq7L20wOBFD6P4_oELuRAzOnMs



Scale = 1:6.8

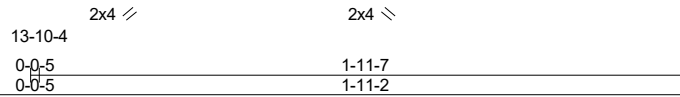
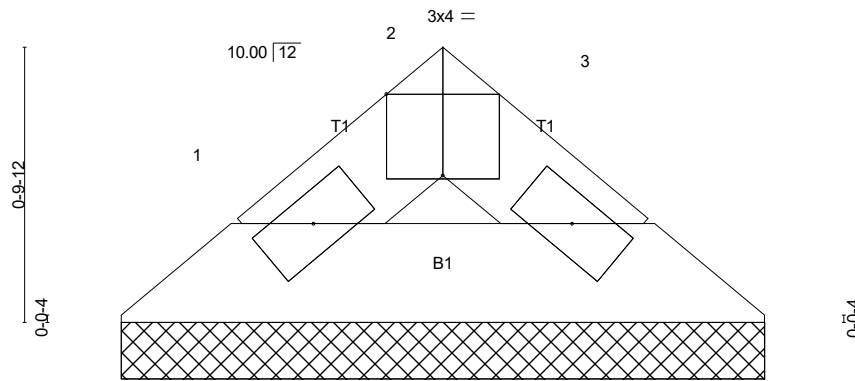


Plate Offsets (X,Y)-- [2:0-2-0,Edge]

LOADING (psf)		SPACING-	2-0-0	CSI.		DEFL.	in (loc)	l/defl	L/d	PLATES	GRIP
TCLL (roof)	20.0	Plate Grip DOL	1.15	TC	0.01	Vert(LL)	n/a	-	n/a	MT20	244/190
Snow (Pf/Pg)	15.4/20.0	Lumber DOL	1.15	BC	0.01	Vert(CT)	n/a	-	n/a		
TCDL	10.0	Rep Stress Incr	YES	WB	0.00	Horz(CT)	0.00	3	n/a		
BCLL	0.0 *	Code IRC2015/TPI2014		Matrix-P							
BCDL	10.0									Weight: 5 lb	FT = 20%

LUMBER-

TOP CHORD 2x4 SP No.2
BOT CHORD 2x4 SP No.2

BRACING-

TOP CHORD
BOT CHORD

Structural wood sheathing directly applied or 1-11-7 oc purlins.
Rigid ceiling directly applied or 10-0-0 oc bracing.

MiTek recommends that Stabilizers and required cross bracing be installed during truss erection, in accordance with Stabilizer Installation guide.

REACTIONS. (lb/size) 1=41/1-10-13 (min. 0-1-8), 3=41/1-10-13 (min. 0-1-8)
Max Horz 1=-8(LC 12)
Max Uplift 1=-3(LC 14), 3=-3(LC 14)
Max Grav 1=46(LC 2), 3=46(LC 2)

FORCES. (lb) - Max. Comp./Max. Ten. - All forces 250 (lb) or less except when shown.

NOTES-

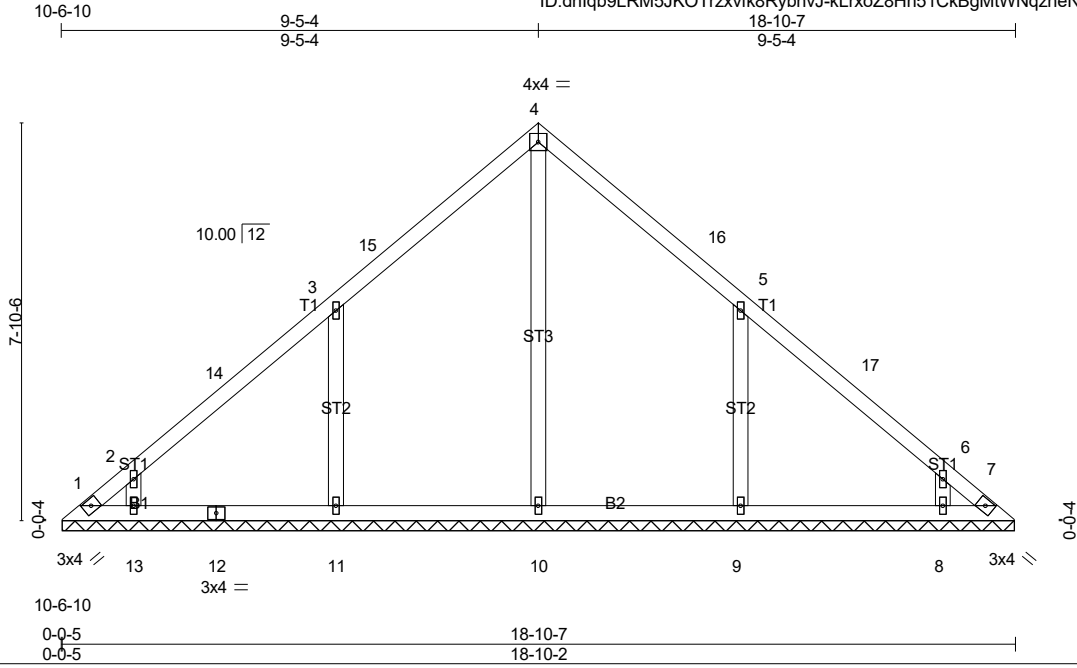
- Unbalanced roof live loads have been considered for this design.
- Wind: ASCE 7-10; Vult=115mph (3-second gust) Vasd=91mph; TCDL=6.0psf; BCDL=3.0psf; h=25ft; B=45ft; L=24ft; eave=4ft; Cat. II; Exp B; Enclosed; MWFRS (directional) and C-C Exterior(2) zone; cantilever left and right exposed; end vertical left and right exposed; C-C for members and forces & MWFRS for reactions shown; Lumber DOL=1.60 plate grip DOL=1.60
- TCLL: ASCE 7-10; Pr=20.0 psf (roof live load: Lumber DOL=1.15 Plate DOL=1.15); Pg=20.0 psf (ground snow); Pf=15.4 psf (flat roof snow: Lumber DOL=1.15 Plate DOL=1.15); Category II; Exp B; Partially Exp.; Ct=1.10
- Gable requires continuous bottom chord bearing.
- This truss has been designed for a 10.0 psf bottom chord live load nonconcurrent with any other live loads.
- * This truss has been designed for a live load of 20.0psf on the bottom chord in all areas where a rectangle 3-6-0 tall by 2-0-0 wide will fit between the bottom chord and any other members.
- This truss is designed in accordance with the 2015 International Residential Code sections R502.11.1 and R802.10.2 and referenced standard ANSI/TPI 1.

LOAD CASE(S) Standard

Job 2310930	Truss VA7	Truss Type Valley	Qty 1	Ply 1	Lamco Custom - Kristie Base Job Reference (optional)
----------------	--------------	----------------------	----------	----------	---

Probuild East, Albemarle, NC 28801

8.240 s Mar 9 2020 MiTek Industries, Inc. Mon Apr 20 14:36:26 2020 Page 1
ID:dnlqb9LRM5JKOTrZxvfk8RybnvJ-kLrxoZ8Hh51CkBgMtWNqzheNNOFDJKfQUBZZ2VzOnMp



Scale = 1:45.6

LOADING (psf)	SPACING-	CSI.	DEFL.	PLATES	GRIP
TCLL (roof) 20.0	2-0-0	TC 0.21	in (loc) l/defl L/d	MT20	244/190
Snow (Pf/Pg) 15.4/20.0	Plate Grip DOL 1.15	BC 0.19	Vert(LL) n/a - n/a 999		
TCDL 10.0	Lumber DOL 1.15	WB 0.17	Vert(CT) n/a - n/a 999		
BCLL 0.0 *	Rep Stress Incr YES	Matrix-SH	Horz(CT) 0.00 7 n/a n/a		
BCDL 10.0	Code IRC2015/TPI2014			Weight: 88 lb	FT = 20%

LUMBER-
TOP CHORD 2x4 SP No.2
BOT CHORD 2x4 SP No.2
OTHERS 2x4 SP No.3

BRACING-
TOP CHORD Structural wood sheathing directly applied or 6-0-0 oc purlins.
BOT CHORD Rigid ceiling directly applied or 10-0-0 oc bracing.

MiTek recommends that Stabilizers and required cross bracing be installed during truss erection, in accordance with Stabilizer Installation guide.

REACTIONS. All bearings 18-9-13.
(lb) - Max Horz 1=125(LC 13)
Max Uplift All uplift 100 lb or less at joint(s) 1, 7, 11, 13, 9, 8
Max Grav All reactions 250 lb or less at joint(s) 1, 7 except 10=357(LC 23), 11=412(LC 23), 13=269(LC 2), 9=412(LC 24), 8=269(LC 2)

FORCES. (lb) - Max. Comp./Max. Ten. - All forces 250 (lb) or less except when shown.
WEBS 3-11=-270/134, 5-9=-270/134

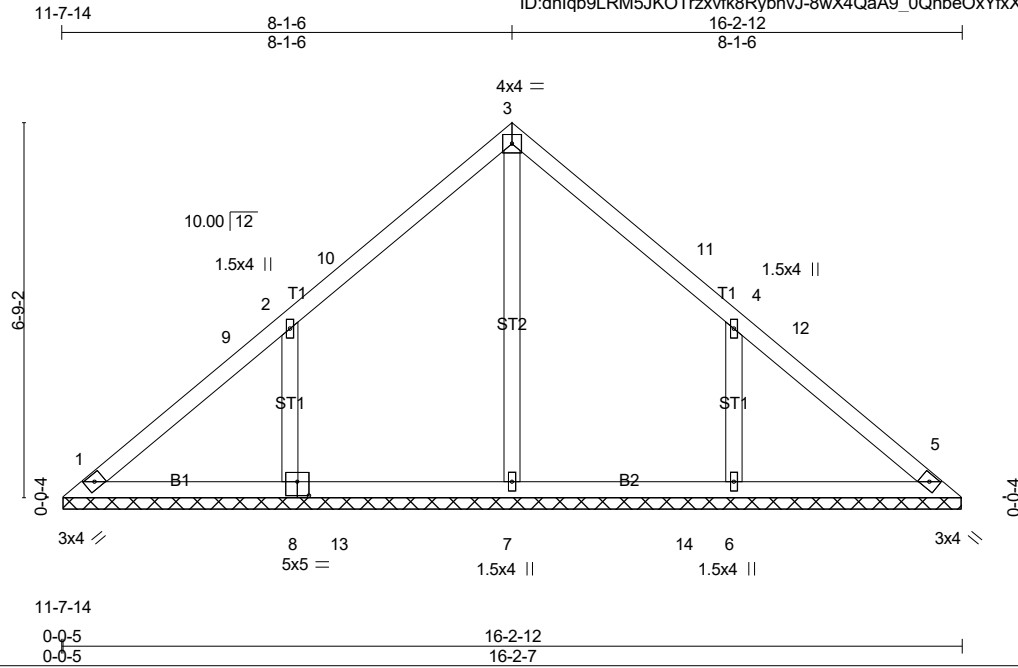
- NOTES-**
- Unbalanced roof live loads have been considered for this design.
 - Wind: ASCE 7-10; Vult=115mph (3-second gust) Vasd=91mph; TCDL=6.0psf; BCDL=3.0psf; h=25ft; B=45ft; L=24ft; eave=4ft; Cat. II; Exp B; Enclosed; MWFRS (directional) and C-C Exterior(2) 0-4-13 to 3-4-13, Interior(1) 3-4-13 to 9-5-4, Exterior(2) 9-5-4 to 12-5-4, Interior(1) 12-5-4 to 18-5-10 zone; cantilever left and right exposed; end vertical left and right exposed; C-C for members and forces & MWFRS for reactions shown; Lumber DOL=1.60 plate grip DOL=1.60
 - TCLL: ASCE 7-10; Pr=20.0 psf (roof live load: Lumber DOL=1.15 Plate DOL=1.15); Pg=20.0 psf (ground snow); Pf=15.4 psf (flat roof snow: Lumber DOL=1.15 Plate DOL=1.15); Category II; Exp B; Partially Exp.; Ct=1.10
 - All plates are 1.5x4 MT20 unless otherwise indicated.
 - Gable requires continuous bottom chord bearing.
 - This truss has been designed for a 10.0 psf bottom chord live load nonconcurrent with any other live loads.
 - * This truss has been designed for a live load of 20.0psf on the bottom chord in all areas where a rectangle 3-6-0 tall by 2-0-0 wide will fit between the bottom chord and any other members, with BCDL = 10.0psf.
 - This truss is designed in accordance with the 2015 International Residential Code sections R502.11.1 and R802.10.2 and referenced standard ANSI/TPI 1.

LOAD CASE(S) Standard

Job 2310930	Truss VA8	Truss Type Valley	Qty 1	Ply 1	Lamco Custom - Kristie Base Job Reference (optional)
----------------	--------------	----------------------	----------	----------	---

Probuild East, Albemarle, NC 28001

8.240 s Mar 9 2020 MiTek Industries, Inc. Mon Apr 20 14:36:29 2020 Page 1
ID:dn1qb9LRM5JKOTrzxvfk8RybnvJ-8wX4QaA9_0QnbeOxYfxXbJGubcGCW5dtA9oDfzqOnMm



Scale = 1:41.5

Plate Offsets (X,Y)-- [8:0-2-8,0-3-0]

LOADING (psf)	SPACING-	CSI.	DEFL.	PLATES	GRIP
TCLL (roof) 20.0	2-0-0	TC 0.22	in (loc) l/defl L/d	MT20	244/190
Snow (Pf/Pg) 15.4/20.0	Plate Grip DOL 1.15	BC 0.17	Vert(LL) n/a - n/a 999		
TCDL 10.0	Lumber DOL 1.15	WB 0.12	Vert(CT) n/a - n/a 999		
BCLL 0.0 *	Rep Stress Incr YES	Matrix-SH	Horz(CT) 0.00 5 n/a n/a		
BCDL 10.0	Code IRC2015/TPI2014			Weight: 72 lb	FT = 20%

LUMBER-
TOP CHORD 2x4 SP No.2
BOT CHORD 2x4 SP No.2
OTHERS 2x4 SP No.3

BRACING-
TOP CHORD Structural wood sheathing directly applied or 6-0-0 oc purlins.
BOT CHORD Rigid ceiling directly applied or 10-0-0 oc bracing.

MiTek recommends that Stabilizers and required cross bracing be installed during truss erection, in accordance with Stabilizer Installation guide.

REACTIONS. All bearings 16-2-3.
(lb) - Max Horz 1--106(LC 12)
Max Uplift All uplift 100 lb or less at joint(s) 8, 6
Max Grav All reactions 250 lb or less at joint(s) 1, 5 except 7=344(LC 23), 8=394(LC 23), 6=403(LC 24)

FORCES. (lb) - Max. Comp./Max. Ten. - All forces 250 (lb) or less except when shown.
WEBS 2-8--263/130, 4-6--271/134

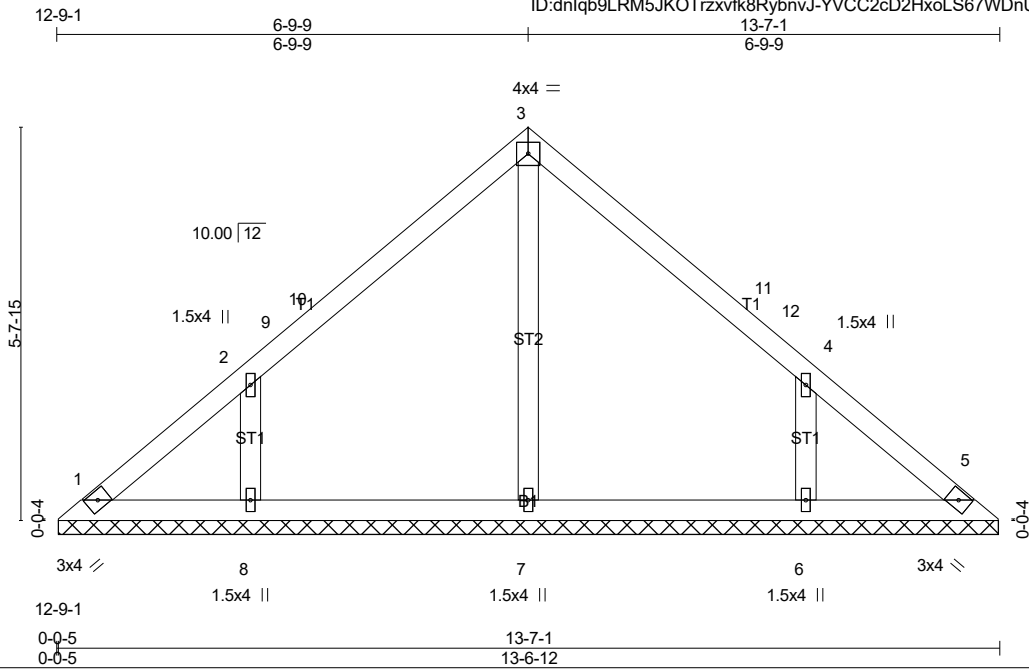
- NOTES-**
- Unbalanced roof live loads have been considered for this design.
 - Wind: ASCE 7-10; Vult=115mph (3-second gust) Vasd=91mph; TCDL=6.0psf; BCDL=3.0psf; h=25ft; B=45ft; L=24ft; eave=4ft; Cat. II; Exp B; Enclosed; MWFRS (directional) and C-C Exterior(2) 0-4-13 to 3-4-13, Interior(1) 3-4-13 to 8-1-6, Exterior(2) 8-1-6 to 11-1-6, Interior(1) 11-1-6 to 15-9-15 zone; cantilever left and right exposed; end vertical left and right exposed; C-C for members and forces & MWFRS for reactions shown; Lumber DOL=1.60 plate grip DOL=1.60
 - TCLL: ASCE 7-10; Pr=20.0 psf (roof live load: Lumber DOL=1.15 Plate DOL=1.15); Pg=20.0 psf (ground snow); Pf=15.4 psf (flat roof snow: Lumber DOL=1.15 Plate DOL=1.15); Category II; Exp B; Partially Exp.; Ct=1.10
 - Gable requires continuous bottom chord bearing.
 - This truss has been designed for a 10.0 psf bottom chord live load nonconcurrent with any other live loads.
 - * This truss has been designed for a live load of 20.0psf on the bottom chord in all areas where a rectangle 3-6-0 tall by 2-0-0 wide will fit between the bottom chord and any other members, with BCDL = 10.0psf.
 - This truss is designed in accordance with the 2015 International Residential Code sections R502.11.1 and R802.10.2 and referenced standard ANSI/TPI 1.

LOAD CASE(S) Standard

Job 2310930	Truss VA9	Truss Type Valley	Qty 1	Ply 1	Lamco Custom - Kristie Base Job Reference (optional)
----------------	--------------	----------------------	----------	----------	---

Probuild East, Albemarle, NC 28001

8.240 s Mar 9 2020 MiTek Industries, Inc. Mon Apr 20 14:36:32 2020 Page 1
ID: dnlqb9LRM5JKOTrzxvfk8RybnvJ-YVCC2cD2HxoLS67WDnUECyQRpJgjSxJs70tF9zOnMj



Scale = 1:33.2

LOADING (psf)	SPACING-	CSI.	DEFL.	PLATES	GRIP
TCLL (roof) 20.0	2-0-0	TC 0.18	in (loc) l/defl L/d	MT20	244/190
Snow (Pf/Pg) 15.4/20.0	Plate Grip DOL 1.15	BC 0.12	Vert(LL) n/a - n/a 999		
TCDL 10.0	Lumber DOL 1.15	WB 0.09	Vert(CT) n/a - n/a 999		
BCLL 0.0 *	Rep Stress Incr YES	Matrix-SH	Horz(CT) 0.00 5 n/a n/a		
BCDL 10.0	Code IRC2015/TPI2014			Weight: 58 lb	FT = 20%

LUMBER-
TOP CHORD 2x4 SP No.2
BOT CHORD 2x4 SP No.2
OTHERS 2x4 SP No.3

BRACING-
TOP CHORD Structural wood sheathing directly applied or 6-0-0 oc purlins.
BOT CHORD Rigid ceiling directly applied or 10-0-0 oc bracing.

MiTek recommends that Stabilizers and required cross bracing be installed during truss erection, in accordance with Stabilizer Installation guide.

REACTIONS. All bearings 13-6-8.
(lb) - Max Horz 1=88(LC 13)
Max Uplift All uplift 100 lb or less at joint(s) 8, 6
Max Grav All reactions 250 lb or less at joint(s) 1, 5, 7 except 8=311(LC 23), 6=311(LC 24)

FORCES. (lb) - Max. Comp./Max. Ten. - All forces 250 (lb) or less except when shown.

NOTES-

- Unbalanced roof live loads have been considered for this design.
- Wind: ASCE 7-10; Vult=115mph (3-second gust) Vasd=91mph; TCDL=6.0psf; BCDL=3.0psf; h=25ft; B=45ft; L=24ft; eave=4ft; Cat. II; Exp B; Enclosed; MWFRS (directional) and C-C Exterior(2) 0-4-13 to 3-4-13, Interior(1) 3-4-13 to 6-9-9, Exterior(2) 6-9-9 to 9-9-9, Interior(1) 9-9-9 to 13-2-4 zone; cantilever left and right exposed; end vertical left and right exposed; C-C for members and forces & MWFRS for reactions shown; Lumber DOL=1.60 plate grip DOL=1.60
- TCLL: ASCE 7-10; Pr=20.0 psf (roof live load: Lumber DOL=1.15 Plate DOL=1.15); Pg=20.0 psf (ground snow); Pf=15.4 psf (flat roof snow: Lumber DOL=1.15 Plate DOL=1.15); Category II; Exp B; Partially Exp.; Ct=1.10
- Gable requires continuous bottom chord bearing.
- This truss has been designed for a 10.0 psf bottom chord live load nonconcurrent with any other live loads.
- * This truss has been designed for a live load of 20.0psf on the bottom chord in all areas where a rectangle 3-6-0 tall by 2-0-0 wide will fit between the bottom chord and any other members.
- This truss is designed in accordance with the 2015 International Residential Code sections R502.11.1 and R802.10.2 and referenced standard ANSI/TPI 1.

LOAD CASE(S) Standard