

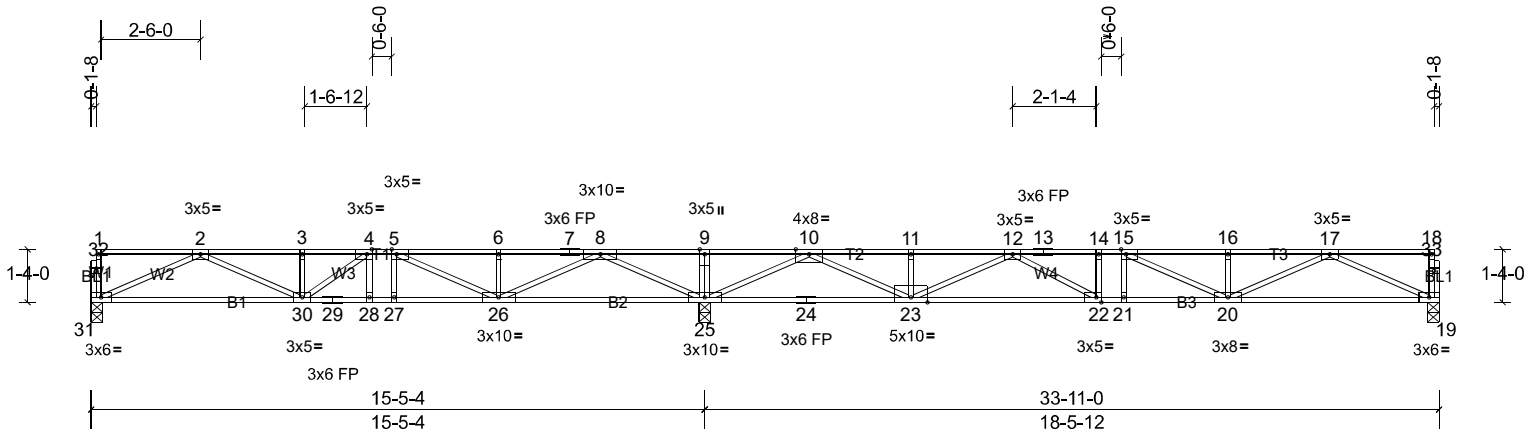
Job 20120029	Truss F1	Truss Type Floor	Qty 8	Ply 1	4 Rosemont Job Reference (optional)
-----------------	-------------	---------------------	----------	----------	--

Carter Components - Sanford, Sanford, NC, user

Run: 8.41 S Oct 26 2020 Print: 8.410 S Oct 26 2020 MiTek Industries, Inc. Thu Dec 31 10:42:40

Page: 1

ID:2UGGH1L14qnnxshCiXuUhmY3VX\_-jDbRT4iraNO9WNe2TNQKODYdXMmsCmpNETuG2y3UOE



Scale = 1:58

Plate Offsets (X, Y): [4:0-1-8,Edge], [5:0-1-8,Edge], [15:0-1-8,Edge], [22:0-1-8,Edge]

Loading	(psf)	Spacing	2-0-0	CSI	DEFL	in	(loc)	l/defl	L/d	PLATES	GRIP
TCLL	40.0	Plate Grip DOL	1.00	TC	0.82	Vert(LL)	-0.22	21	>984	360	MT20 244/190
TCDL	10.0	Lumber DOL	1.00	BC	0.85	Vert(CT)	-0.29	22-23	>759	240	
BCLL	0.0	Rep Stress Incr	YES	WB	0.89	Horz(CT)	0.04	19	n/a	n/a	
BCDL	5.0	Code	IRC2018/TPI2014	Matrix-SH							Weight: 173 lb FT = 20%F, 11%E

**LUMBER**

TOP CHORD 2x4 SP No.2(flat) \*Except\* T2:2x4 SP No.1(flat)  
 BOT CHORD 2x4 SP No.2(flat)  
 WEBS 2x4 SP No.3(flat)  
 OTHERS 2x4 SP No.3(flat)

**BRACING**

TOP CHORD Structural wood sheathing directly applied or 6-0-0 oc purlins, except end verticals.  
 BOT CHORD Rigid ceiling directly applied or 6-0-0 oc bracing.

**REACTIONS** (lb/size) 19=797/0-3-8, (min. 0-1-8), 25=2305/0-3-8, (min. 0-1-8),  
 31=589/0-3-8, (min. 0-1-8)  
 Max Grav 19=853 (LC 4), 25=2305 (LC 1), 31=701 (LC 3)

**FORCES** (lb) - Max. Comp./Max. Ten. - All forces 250 (lb) or less except when shown.  
 TOP CHORD 2-3=-1856/84, 3-4=-1856/84, 4-5=-1860/348, 5-6=-1310/834, 6-7=-1310/834, 7-8=-1310/834, 8-9=0/3033, 9-10=0/3033,  
 10-11=-1528/355, 11-12=-1528/355, 12-13=-2791/0, 13-14=-2791/0, 14-15=-2791/0, 15-16=-2523/0, 16-17=-2523/0  
 BOT CHORD 30-31=0/1259, 29-30=-348/1860, 28-29=-348/1860, 27-28=-348/1860, 26-27=-348/1860, 25-26=-1476/132,  
 24-25=-1050/0, 23-24=-1050/0, 22-23=0/2449, 21-22=0/2791, 20-21=0/2791, 19-20=0/1586  
 WEBS 9-25=-284/0, 8-25=-2191/0, 2-31=-1380/0, 8-26=0/1563, 2-30=-113/660, 6-26=-270/0, 3-30=-262/0, 5-26=-995/0,  
 4-30=-5/509, 10-25=-2493/0, 17-19=-1740/0, 10-23=0/1864, 17-20=0/1036, 11-23=-262/0, 16-20=-285/0, 12-23=-1148/0,  
 15-20=-360/290, 12-22=0/735

**NOTES**

- 1) Unbalanced floor live loads have been considered for this design.
- 2) All plates are 1.5x3 MT20 unless otherwise indicated.
- 3) This truss is designed in accordance with the 2018 International Residential Code sections R502.11.1 and R802.10.2 and referenced standard ANSI/TPI 1.
- 4) Recommend 2x6 strongbacks, on edge, spaced at 10-00-00 oc and fastened to each truss with 3-10d (0.131" X 3") nails. Strongbacks to be attached to walls at their outer ends or restrained by other means.
- 5) CAUTION, Do not erect truss backwards.

**LOAD CASE(S)** Standard

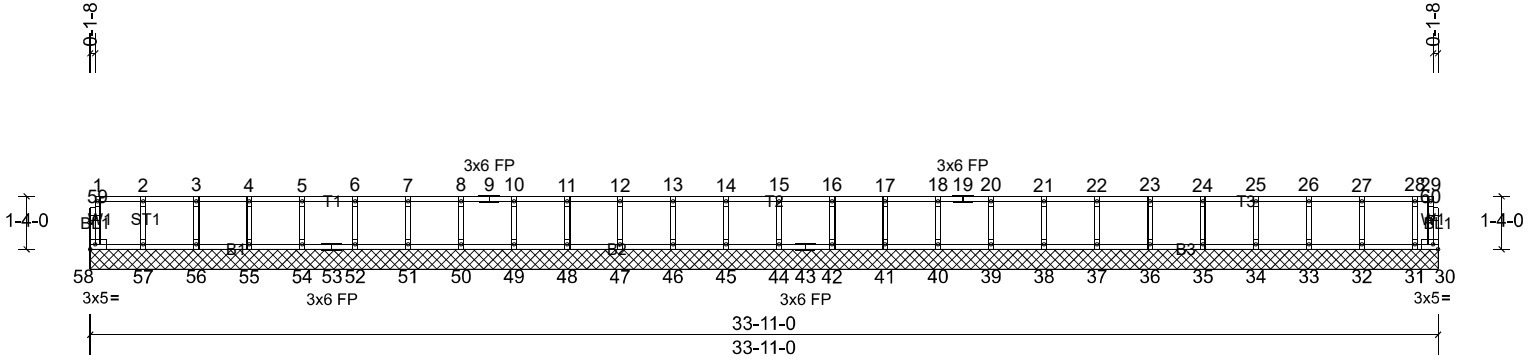
Job 20120029	Truss F1GE	Truss Type Floor Supported Gable	Qty 1	Ply 1	4 Rosemont Job Reference (optional)
-----------------	---------------	-------------------------------------	----------	----------	--

Carter Components - Sanford, Sanford, NC, user

Run: 8.41 S Oct 26 2020 Print: 8.410 S Oct 26 2020 MiTek Industries, Inc. Thu Dec 31 10:42:41

Page: 1

ID:2UGGH1L4qnnxshCiXuUhMy3VX\_-gcjBumj56?etmhnRaoSoUed7f9figXe6rYy?Kwy3UOC



Scale = 1:58

Loading	(psf)	Spacing	2-0-0	CSI	DEFL	in	(loc)	l/defl	L/d	PLATES	GRIP	
TCLL	40.0	Plate Grip DOL	1.00	TC	0.08	Vert(LL)	n/a	-	n/a	999	MT20	244/190
TCDL	10.0	Lumber DOL	1.00	BC	0.02	Vert(TL)	n/a	-	n/a	999		
BCLL	0.0	Rep Stress Incr	YES	WB	0.03	Horiz(TL)	0.00	30	n/a	n/a		
BCDL	5.0	Code	IRC2018/TPI2014	Matrix-R								Weight: 147 lb FT = 20%F, 11%E

**LUMBER**

TOP CHORD 2x4 SP No.2(flat)  
 BOT CHORD 2x4 SP No.2(flat)  
 WEBS 2x4 SP No.3(flat)  
 OTHERS 2x4 SP No.3(flat)

**BRACING**

TOP CHORD Structural wood sheathing directly applied or 6-0-0 oc purlins, except end verticals.  
 BOT CHORD Rigid ceiling directly applied or 10-0-0 oc bracing.

**REACTIONS** All bearings 33-11-0.

(lb) - Max Grav All reactions 250 (lb) or less at joint(s) 30, 31, 32, 33, 34, 35, 36, 37, 38, 39, 40, 41, 42, 44, 45, 46, 47, 48, 49, 50, 51, 52, 54, 55, 56, 57, 58

**FORCES** (lb) - Max. Comp./Max. Ten. - All forces 250 (lb) or less except when shown.

**NOTES**

- All plates are 1.5x3 MT20 unless otherwise indicated.
- Gable requires continuous bottom chord bearing.
- Truss to be fully sheathed from one face or securely braced against lateral movement (i.e. diagonal web).
- Gable studs spaced at 1-4-0 oc.
- This truss is designed in accordance with the 2018 International Residential Code sections R502.11.1 and R802.10.2 and referenced standard ANSI/TPI 1.
- Recommend 2x6 strongbacks, on edge, spaced at 10-00-00 oc and fastened to each truss with 3-10d (0.131" X 3") nails. Strongbacks to be attached to walls at their outer ends or restrained by other means.

**LOAD CASE(S)** Standard

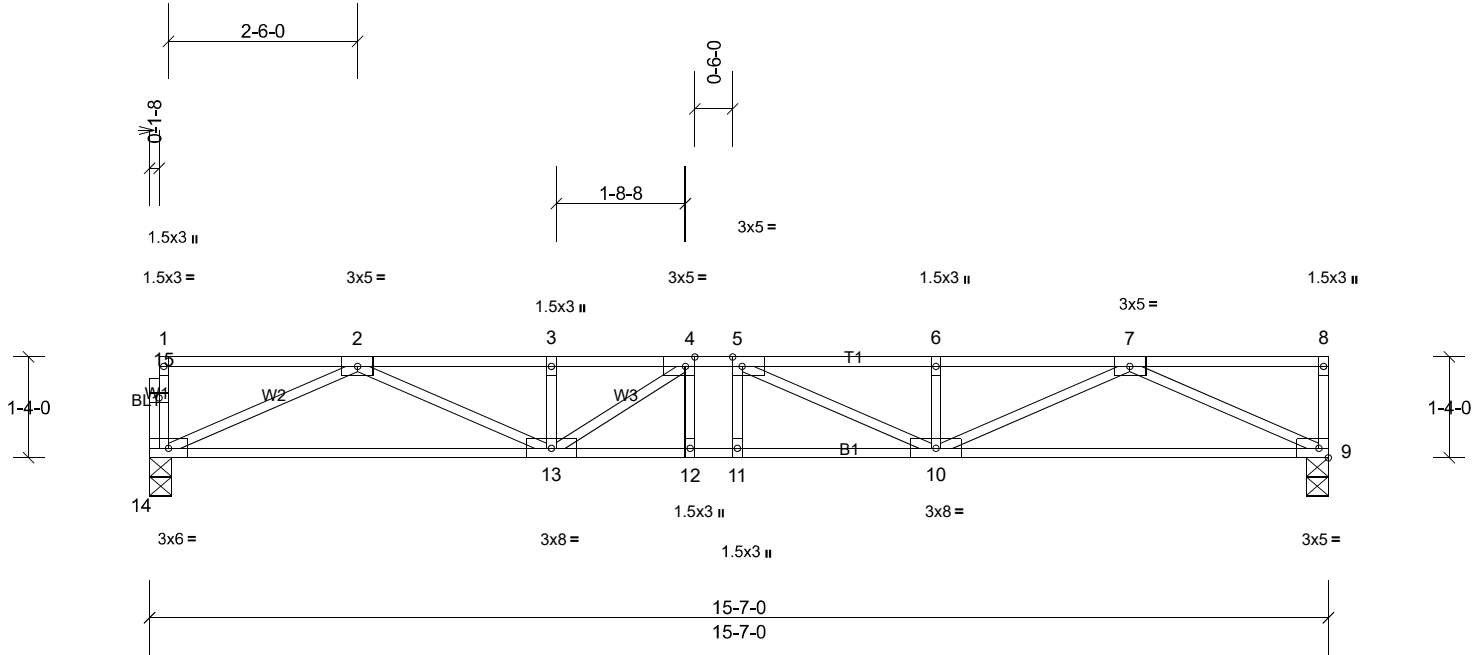
Job 20120029	Truss F2	Truss Type Floor	Qty 2	Ply 1	4 Rosemont Job Reference (optional)
-----------------	-------------	---------------------	----------	----------	--

Carter Components - Sanford, Sanford, NC, user

Run: 8.41 S Oct 26 2020 Print: 8.410 S Oct 26 2020 MiTek Industries, Inc. Thu Dec 31 10:42:42

Page: 1

ID:2UGGH1L4qnnxshCiXuUhMy3VX\_-8oHZ56kjtMkNrMd8Vz10sACXZocPtmF3ChYtMy3UOB



Scale = 1:30.5

Plate Offsets (X, Y): [4:0-1-8,Edge], [5:0-1-8,Edge]

Loading	(psf)	Spacing	2-0-0	CSI	DEFL	in	(loc)	l/defl	L/d	PLATES	GRIP	
TCLL	40.0	Plate Grip DOL	1.00	TC	0.46	Vert(LL)	-0.17	10-11	>999	360	MT20	244/190
TCDL	10.0	Lumber DOL	1.00	BC	0.85	Vert(CT)	-0.23	10-11	>806	240		
BCLL	0.0	Rep Stress Incr	YES	WB	0.49	Horz(CT)	0.05	9	n/a	n/a		
BCDL	5.0	Code	IRC2018/TPI2014	Matrix-SH							Weight: 80 lb	FT = 20%F, 11%E

**LUMBER**

TOP CHORD 2x4 SP No.2(flat)  
 BOT CHORD 2x4 SP No.2(flat)  
 WEBS 2x4 SP No.3(flat)  
 OTHERS 2x4 SP No.3(flat)

**BRACING**

TOP CHORD Structural wood sheathing directly applied or 6-0-0 oc purlins, except end verticals.  
 BOT CHORD Rigid ceiling directly applied or 10-0-0 oc bracing.

**REACTIONS** (lb/size) 9=847/0-3-8, (min. 0-1-8), 14=841/0-3-8, (min. 0-1-8)

**FORCES**

(lb) - Max. Comp./Max. Ten. - All forces 250 (lb) or less except when shown.

TOP CHORD 2-3=-2450/0, 3-4=-2450/0, 4-5=-2700/0, 5-6=-2456/0, 6-7=-2456/0  
 BOT CHORD 13-14=0/1561, 12-13=0/2700, 11-12=0/2700, 10-11=0/2700, 9-10=0/1530  
 WEBS 7-9=-1691/0, 2-14=-1713/0, 7-10=0/1024, 2-13=0/983, 6-10=-277/0, 5-10=-462/80, 4-13=-478/68

**NOTES**

- Unbalanced floor live loads have been considered for this design.
- This truss is designed in accordance with the 2018 International Residential Code sections R502.11.1 and R802.10.2 and referenced standard ANSI/TPI 1.
- Recommend 2x6 strongbacks, on edge, spaced at 10-00-00 oc and fastened to each truss with 3-10d (0.131" X 3") nails. Strongbacks to be attached to walls at their outer ends or restrained by other means.
- CAUTION, Do not erect truss backwards.

**LOAD CASE(S)** Standard

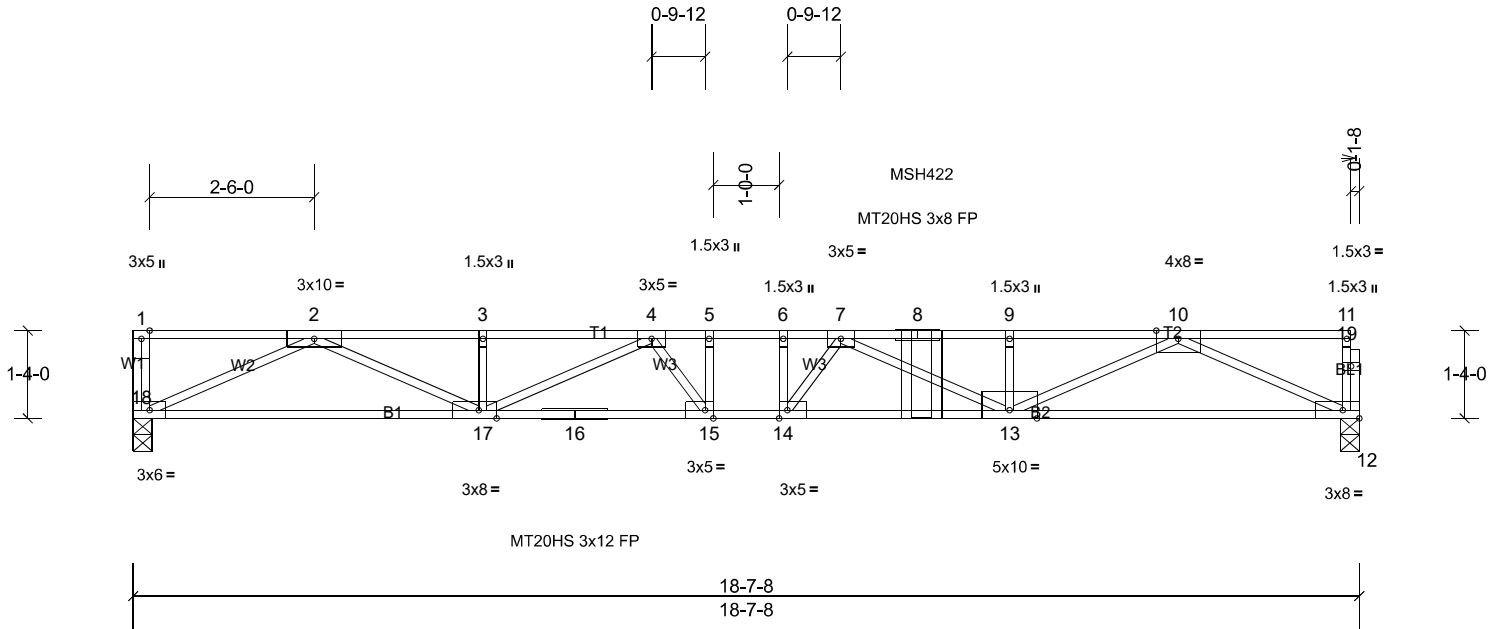
Job 20120029	Truss F3GR	Truss Type Floor Girder	Qty 1	Ply 1	4 Rosemont Job Reference (optional)
-----------------	---------------	----------------------------	----------	----------	--

Carter Components - Sanford, Sanford, NC, user

Run: 8.41 S Oct 26 2020 Print: 8.410 S Oct 26 2020 MiTek Industries, Inc. Thu Dec 31 10:42:42

Page: 1

ID:T3yPv3OANI9MojQnOfRBJ?y3VWx-8oHZ56kjtImkNfMd8Vz10sA5HZnWpM7F3ChYtMy3UOB



Scale = 1:35

Plate Offsets (X, Y): [14:0-1-8,Edge], [15:0-1-8,Edge], [17:0-3-4,Edge]

Loading	(psf)	Spacing	2-0-0	CSI	DEFL	in	(loc)	l/defl	L/d	PLATES	GRIP	
TCLL	40.0	Plate Grip DOL	1.00	TC	0.92	Vert(LL)	-0.29	13-14	>767	360	MT20HS	187/143
TCDL	10.0	Lumber DOL	1.00	BC	0.92	Vert(CT)	-0.40	13-14	>551	240	MT20	244/190
BCLL	0.0	Rep Stress Incr	NO	WB	0.91	Horz(CT)	0.07	12	n/a	n/a		
BCDL	5.0	Code	IRC2018/TPI2014	Matrix-SH							Weight: 96 lb	FT = 20%F, 11%E

**LUMBER**

TOP CHORD 2x4 SP 2400F 2.0E(flat)  
 BOT CHORD 2x4 SP No.1(flat) \*Except\* B2:2x4 SP 2400F 2.0E(flat)  
 WEBS 2x4 SP No.3(flat)  
 OTHERS 2x4 SP No.3(flat)

**BRACING**

TOP CHORD Structural wood sheathing directly applied or 5-9-13 oc purlins, except end verticals.  
 BOT CHORD Rigid ceiling directly applied or 10-0-0 oc bracing.

**REACTIONS** (lb/size) 12=1207/0-3-8, (min. 0-1-8), 18=1124/0-3-8, (min. 0-1-8)

**FORCES** (lb) - Max. Comp./Max. Ten. - All forces 250 (lb) or less except when shown.  
 TOP CHORD 2-3=-3651/0, 3-4=-3651/0, 4-5=-4669/0, 5-6=-4669/0, 6-7=-4669/0, 7-8=-4076/0, 8-9=-4076/0, 9-10=-4076/0  
 BOT CHORD 17-18=0/2157, 16-17=0/4490, 15-16=0/4490, 14-15=0/4669, 13-14=0/4833, 12-13=0/2343  
 WEBS 2-18=-2375/0, 10-12=-2573/0, 2-17=0/1651, 3-17=-259/0, 10-13=0/1917, 9-13=-433/0, 4-17=-987/0, 7-13=-872/0, 4-15=0/680, 7-14=-689/0, 5-15=-446/0, 6-14=0/484

**NOTES**

- 1) Unbalanced floor live loads have been considered for this design.
- 2) All plates are MT20 plates unless otherwise indicated.
- 3) This truss is designed in accordance with the 2018 International Residential Code sections R502.11.1 and R802.10.2 and referenced standard ANSI/TPI 1.
- 4) Recommend 2x6 strongbacks, on edge, spaced at 10-00-00 oc and fastened to each truss with 3-10d (0.131" X 3") nails. Strongbacks to be attached to walls at their outer ends or restrained by other means.
- 5) CAUTION, Do not erect truss backwards.
- 6) Use USP MSH422 (With 10d nails into Girder & 6-10d nails into Truss) or equivalent at 11-11-12 from the left end to connect truss(es) F4GR (1 ply 2x4 SP) to front face of top chord.
- 7) Fill all nail holes where hanger is in contact with lumber.
- 8) In the LOAD CASE(S) section, loads applied to the face of the truss are noted as front (F) or back (B).

**LOAD CASE(S)** Standard

- 1) Dead + Floor Live (balanced): Lumber Increase=1.00, Plate Increase=1.00  
 Uniform Loads (lb/ft)  
 Vert: 12-18=-10, 1-11=-100  
 Concentrated Loads (lb)  
 Vert: 8=-316 (F)

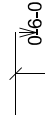
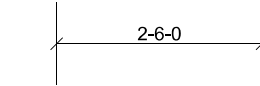
Job 20120029	Truss F4GR	Truss Type Floor Girder	Qty 1	Ply 1	4 Rosemont Job Reference (optional)
-----------------	---------------	----------------------------	----------	----------	--

Carter Components - Sanford, Sanford, NC, user

Run: 8.41 S Oct 26 2020 Print: 8.410 S Oct 26 2020 MiTek Industries, Inc. Thu Dec 31 10:42:43

Page: 1

ID:T3yPv30ANI9MoJQnOfRBJ?y3VWx-8oHZ56kjtImkNrmMd8Vz10sA5gZyIPymF3ChYtMy3UOB



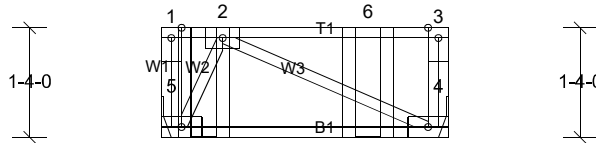
MSH422

MSH422

3x5 =

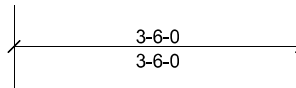
3x5 ||

3x5 ||



3x6 =

3x6 =



Scale = 1:28

Loading	(psf)	Spacing	2-0-0	CSI		DEFL	in	(loc)	l/defl	L/d	PLATES	GRIP
TCLL	40.0	Plate Grip DOL	1.00	TC	0.96	Vert(LL)	n/a	-	n/a	999	MT20	244/190
TCDL	10.0	Lumber DOL	1.00	BC	0.20	Vert(CT)	-0.02	4-5	>999	240		
BCLL	0.0	Rep Stress Incr	NO	WB	0.17	Horz(CT)	0.00	4	n/a	n/a		
BCDL	5.0	Code	IRC2018/TP12014	Matrix-P							Weight: 23 lb	FT = 20%F, 11%E

**LUMBER**

TOP CHORD 2x4 SP No.1(flat)  
 BOT CHORD 2x4 SP No.2(flat)  
 WEBS 2x4 SP No.3(flat)

**BRACING**

TOP CHORD Structural wood sheathing directly applied or 3-6-0 oc purlins, except end verticals.  
 BOT CHORD Rigid ceiling directly applied or 10-0-0 oc bracing.

**REACTIONS** (lb/size) 4=416/ Mechanical, (min. 0-1-8), 5=466/ Mechanical, (min. 0-1-8)

**FORCES** (lb) - Max. Comp./Max. Ten. - All forces 250 (lb) or less except when shown.

BOT CHORD 4-5=0/334  
 WEBS 2-4=-368/0, 2-5=-728/0

**NOTES**

- Refer to girder(s) for truss to truss connections.
- This truss is designed in accordance with the 2018 International Residential Code sections R502.11.1 and R802.10.2 and referenced standard ANSI/TP1 1.
- Recommend 2x6 strongbacks, on edge, spaced at 10-00-00 oc and fastened to each truss with 3-10d (0.131" X 3") nails. Strongbacks to be attached to walls at their outer ends or restrained by other means.
- Use USP MSH422 (With 10d nails into Girder & 6-10d nails into Truss) or equivalent spaced at 2-0-0 oc max. starting at 0-6-4 from the left end to 2-6-4 to connect truss(es) F5 (1 ply 2x4 SP) to front face of top chord.
- Fill all nail holes where hanger is in contact with lumber.
- In the LOAD CASE(S) section, loads applied to the face of the truss are noted as front (F) or back (B).

**LOAD CASE(S)** Standard

- Dead + Floor Live (balanced): Lumber Increase=1.00, Plate Increase=1.00  
 Uniform Loads (lb/ft)  
 Vert: 4-5=-10, 1-3=-100  
 Concentrated Loads (lb)  
 Vert: 2=-274 (F), 6=-251 (F)

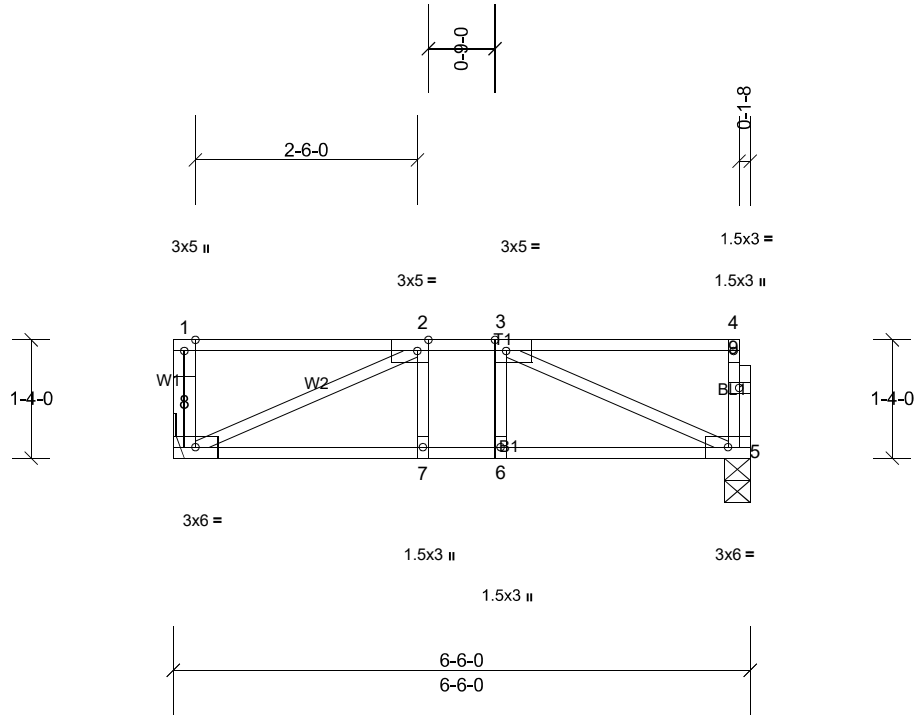
Job 20120029	Truss F5	Truss Type Floor	Qty 2	Ply 1	4 Rosemont Job Reference (optional)
-----------------	-------------	---------------------	----------	----------	--

Carter Components - Sanford, Sanford, NC, user

Run: 8.41 S Oct 26 2020 Print: 8.410 S Oct 26 2020 MiTek Industries, Inc. Thu Dec 31 10:42:43

Page: 1

ID:2UGGH1L14qnnxshCiXuUhmY3VX\_c\_rxJSILecub??xqiDVGZ3jN9zH08PKPlsR5Ppy3UOA



Scale = 1:26

Plate Offsets (X, Y): [2:0-1-8,Edge], [3:0-1-8,Edge]

Loading	(psf)	Spacing	2-0-0	CSI		DEFL	in	(loc)	l/defl	L/d	PLATES	GRIP
TCLL	40.0	Plate Grip DOL	1.00	TC	0.46	Vert(LL)	-0.03	7-8	>999	360	MT20	244/190
TCDL	10.0	Lumber DOL	1.00	BC	0.26	Vert(CT)	-0.03	7-8	>999	240		
BCLL	0.0	Rep Stress Incr	YES	WB	0.15	Horz(CT)	0.00	5	n/a	n/a		
BCDL	5.0	Code	IRC2018/TPI2014	Matrix-SH							Weight: 37 lb	FT = 20%F, 11%E

**LUMBER**

TOP CHORD 2x4 SP No.2(flat)  
 BOT CHORD 2x4 SP No.2(flat)  
 WEBS 2x4 SP No.3(flat)  
 OTHERS 2x4 SP No.3(flat)

**BRACING**

TOP CHORD Structural wood sheathing directly applied or 6-0-0 oc purlins, except end verticals.  
 BOT CHORD Rigid ceiling directly applied or 10-0-0 oc bracing.

**REACTIONS** (lb/size) 5=338/0-3-8, (min. 0-1-8), 8=344/ Mechanical, (min. 0-1-8)

**FORCES** (lb) - Max. Comp./Max. Ten. - All forces 250 (lb) or less except when shown.

TOP CHORD 2-3=-487/0  
 BOT CHORD 7-8=0/487, 6-7=0/487, 5-6=0/487  
 WEBS 3-5=-527/0, 2-8=-534/0

**NOTES**

- 1) Unbalanced floor live loads have been considered for this design.
- 2) Refer to girder(s) for truss to truss connections.
- 3) This truss is designed in accordance with the 2018 International Residential Code sections R502.11.1 and R802.10.2 and referenced standard ANSI/TPI 1.
- 4) Recommend 2x6 strongbacks, on edge, spaced at 10-00-00 oc and fastened to each truss with 3-10d (0.131" X 3") nails. Strongbacks to be attached to walls at their outer ends or restrained by other means.
- 5) CAUTION, Do not erect truss backwards.

**LOAD CASE(S)** Standard

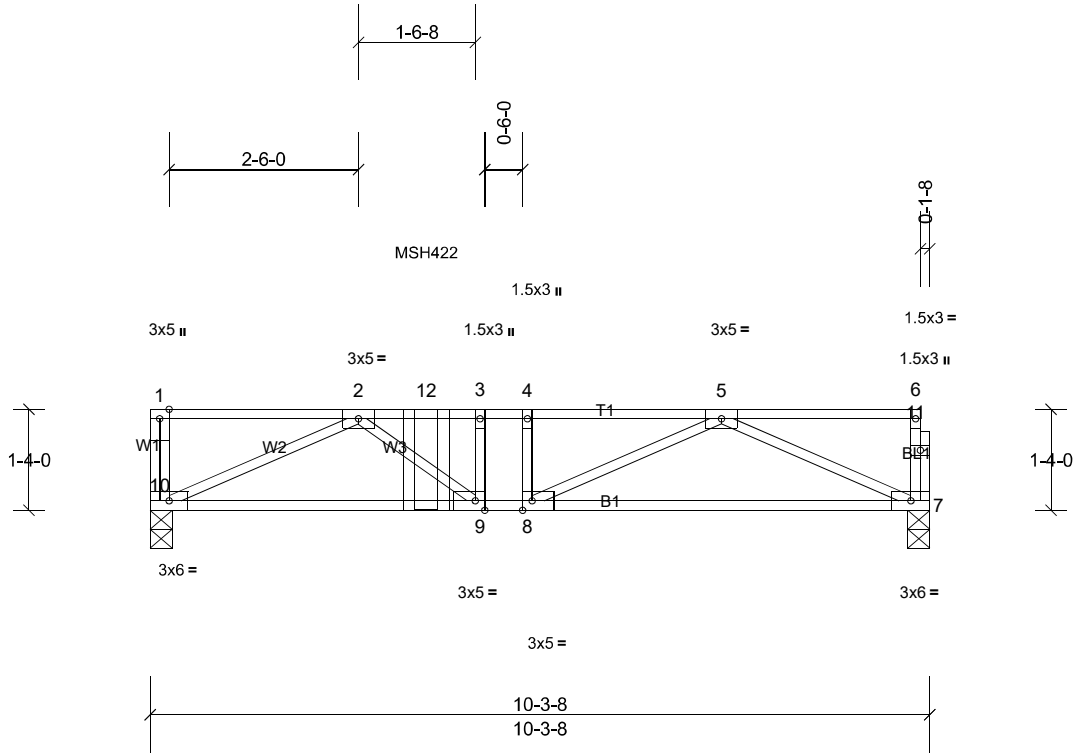
Job 20120029	Truss F6GR	Truss Type Floor Girder	Qty 1	Ply 1	4 Rosemont Job Reference (optional)
-----------------	---------------	----------------------------	----------	----------	--

Carter Components - Sanford, Sanford, NC, user

Run: 8.41 S Oct 26 2020 Print: 8.410 S Oct 26 2020 MiTek Industries, Inc. Thu Dec 31 10:42:43

Page: 1

ID:T3yPv3OANI9MoJQnOfRBJ?y3VWx-c\_rxJSLecub??xqiDVGZ3jGMzAs8LhPlsR5Ppy3UOA



Scale = 1:30.4

Plate Offsets (X, Y): [8:0-1-8,Edge], [9:0-1-8,Edge]

Loading	(psf)	Spacing	2-0-0	CSI	0.90	DEFL	in	(loc)	l/defl	L/d	PLATES	GRIP
TCLL	40.0	Plate Grip DOL	1.00	TC	0.90	Vert(LL)	-0.08	9-10	>999	360	MT20	244/190
TCDL	10.0	Lumber DOL	1.00	BC	0.72	Vert(CT)	-0.12	9-10	>977	240		
BCLL	0.0	Rep Stress Incr	NO	WB	0.44	Horz(CT)	0.02	7	n/a	n/a		
BCDL	5.0	Code	IRC2018/TPI2014	Matrix-SH							Weight: 55 lb	FT = 20%F, 11%E

**LUMBER**

TOP CHORD 2x4 SP No.1(flat)  
 BOT CHORD 2x4 SP No.2(flat)  
 WEBS 2x4 SP No.3(flat)  
 OTHERS 2x4 SP No.3(flat)

**BRACING**

TOP CHORD Structural wood sheathing directly applied or 6-0-0 oc purlins, except end verticals.  
 BOT CHORD Rigid ceiling directly applied or 10-0-0 oc bracing.

**REACTIONS** (lb/size) 7=674/0-3-8, (min. 0-1-8), 10=790/0-3-8, (min. 0-1-8)

**FORCES** (lb) - Max. Comp./Max. Ten. - All forces 250 (lb) or less except when shown.

TOP CHORD 2-12=-1763/0, 3-12=-1763/0, 3-4=-1763/0, 4-5=-1763/0  
 BOT CHORD 9-10=0/1459, 8-9=0/1763, 7-8=0/1203  
 WEBS 5-7=-1319/0, 2-10=-1607/0, 5-8=0/774, 2-9=0/488, 3-9=-315/0

**NOTES**

- Unbalanced floor live loads have been considered for this design.
- This truss is designed in accordance with the 2018 International Residential Code sections R502.11.1 and R802.10.2 and referenced standard ANSI/TPI 1.
- Recommend 2x6 strongbacks, on edge, spaced at 10-00-00 oc and fastened to each truss with 3-10d (0.131" X 3") nails. Strongbacks to be attached to walls at their outer ends or restrained by other means.
- CAUTION, Do not erect truss backwards.
- Use USP MSH422 (With 10d nails into Girder & 6-10d nails into Truss) or equivalent at 3-7-12 from the left end to connect truss(es) F4GR (1 ply 2x4 SP) to back face of top chord.
- Fill all nail holes where hanger is in contact with lumber.
- In the LOAD CASE(S) section, loads applied to the face of the truss are noted as front (F) or back (B).

**LOAD CASE(S)** Standard

- Dead + Floor Live (balanced): Lumber Increase=1.00, Plate Increase=1.00  
 Uniform Loads (lb/ft)  
 Vert: 7-10=-10, 1-6=-100  
 Concentrated Loads (lb)  
 Vert: 12=-366 (B)

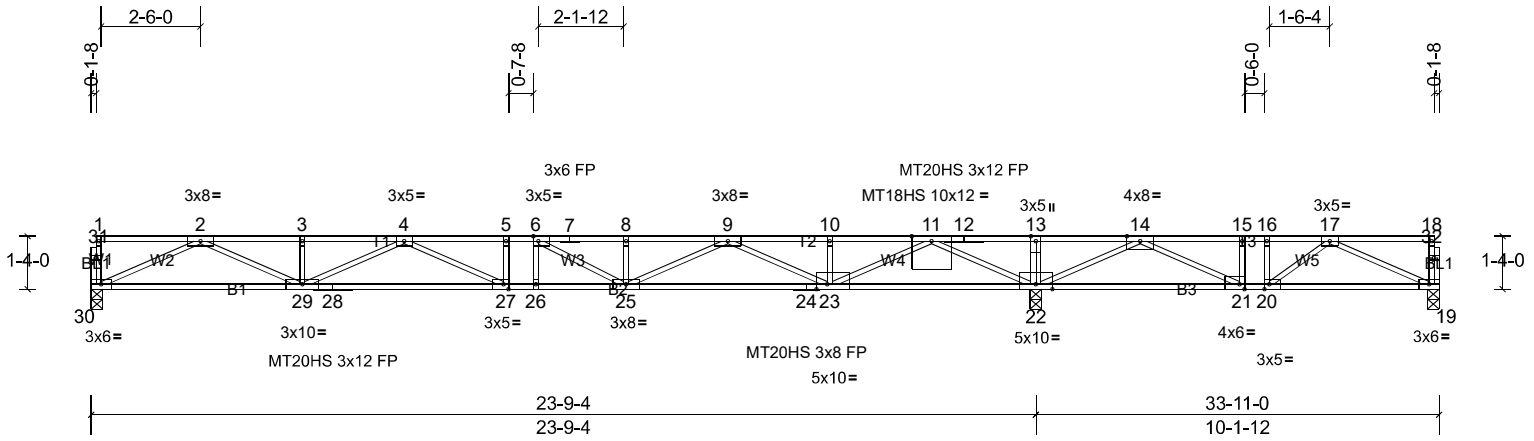
Job 20120029	Truss F7	Truss Type Floor	Qty 6	Ply 1	4 Rosemont Job Reference (optional)
-----------------	-------------	---------------------	----------	----------	--

Carter Components - Sanford, Sanford, NC, user

Run: 8.41 S Oct 26 2020 Print: 8.410 S Oct 26 2020 MiTek Industries, Inc. Thu Dec 31 10:42:43

Page: 1

ID:WgqfUNMwr7veZ?GPGFJ]Eay3VWz-c\_rxJSILecub??xqiDVGZ3jFDz898DVPlsR5Ppy3UOA



Scale = 1:58

Plate Offsets (X, Y): [6:0-1-8,Edge], [20:0-1-8,Edge], [21:0-1-8,Edge], [23:0-3-4,Edge], [27:0-1-8,Edge]

Loading	(psf)	Spacing	2-0-0	CSI	DEFL	in	(loc)	l/defl	L/d	PLATES	GRIP	
TCLL	40.0	Plate Grip DOL	1.00	TC	0.97	Vert(LL)	-0.47	27-29	>599	360	MT20HS	187/143
TCDL	10.0	Lumber DOL	1.00	BC	0.89	Vert(CT)	-0.66	27-29	>431	240	MT20	244/190
BCLL	0.0	Rep Stress Incr	YES	WB	0.90	Horz(CT)	0.07	22	n/a	n/a	MT18HS	244/190
BCDL	5.0	Code	IRC2018/TPI2014	Matrix-SH								Weight: 172 lb FT = 20%F, 11%E

**LUMBER**

TOP CHORD 2x4 SP No.2(flat) \*Except\* T3:2x4 SP 2400F 2.0E(flat), T2:2x4 SP No.1 (flat)  
 BOT CHORD 2x4 SP No.1(flat) \*Except\* B3:2x4 SP 2400F 2.0E(flat)  
 WEBS 2x4 SP No.3(flat) \*Except\* W4:2x4 SP No.2(flat)  
 OTHERS 2x4 SP No.3(flat)

**BRACING**

TOP CHORD Structural wood sheathing directly applied or 2-2-0 oc purlins, except end verticals.  
 BOT CHORD Rigid ceiling directly applied or 6-0-0 oc bracing.

**REACTIONS** (lb/size) 19=-19/0-3-8, (min. 0-1-8), 22=2655/0-3-8, (min. 0-1-8), 30=1055/0-3-8, (min. 0-1-8)  
 Max Uplift 19=-388 (LC 3)  
 Max Grav 19=365 (LC 4), 22=2655 (LC 1), 30=1067 (LC 3)

**FORCES**

(lb) - Max. Comp./Max. Ten. - All forces 250 (lb) or less except when shown.  
 TOP CHORD 2-3=-3431/0, 3-4=-3431/0, 4-5=-4304/0, 5-6=-4304/0, 6-7=-3775/0, 7-8=-3775/0, 8-9=-3775/0, 9-10=-940/0, 10-11=-940/0, 11-12=0/4571, 12-13=0/4571, 13-14=0/4571, 14-15=-478/1696, 15-16=-478/1696, 16-17=-478/1696  
 BOT CHORD 29-30=0/2052, 28-29=0/4173, 27-28=0/4173, 26-27=0/4304, 25-26=0/4304, 24-25=0/2636, 23-24=0/2636, 22-23=-1612/0, 21-22=-3051/0, 20-21=-1696/478, 19-20=-927/532  
 WEBS 13-22=-304/0, 11-22=-3266/0, 2-30=-2254/0, 11-23=0/2632, 2-29=0/1525, 10-23=-260/0, 9-23=-1900/0, 4-29=-820/0, 9-25=0/1286, 4-27=-328/519, 8-25=-267/0, 6-25=-901/0, 14-22=-2246/0, 17-19=-579/1021, 14-21=0/1753, 17-20=-1021/0, 15-21=-572/0, 16-20=0/454

**NOTES**

- 1) Unbalanced floor live loads have been considered for this design.
- 2) All plates are MT20 plates unless otherwise indicated.
- 3) All plates are 1.5x3 MT20 unless otherwise indicated.
- 4) One RT7A USP connectors recommended to connect truss to bearing walls due to UPLIFT at jt(s) 19. This connection is for uplift only and does not consider lateral forces.
- 5) This truss is designed in accordance with the 2018 International Residential Code sections R502.11.1 and R802.10.2 and referenced standard ANSI/TPI 1.
- 6) Recommend 2x6 strongbacks, on edge, spaced at 10-00-00 oc and fastened to each truss with 3-10d (0.131" X 3") nails. Strongbacks to be attached to walls at their outer ends or restrained by other means.
- 7) CAUTION, Do not erect truss backwards.

**LOAD CASE(S)** Standard



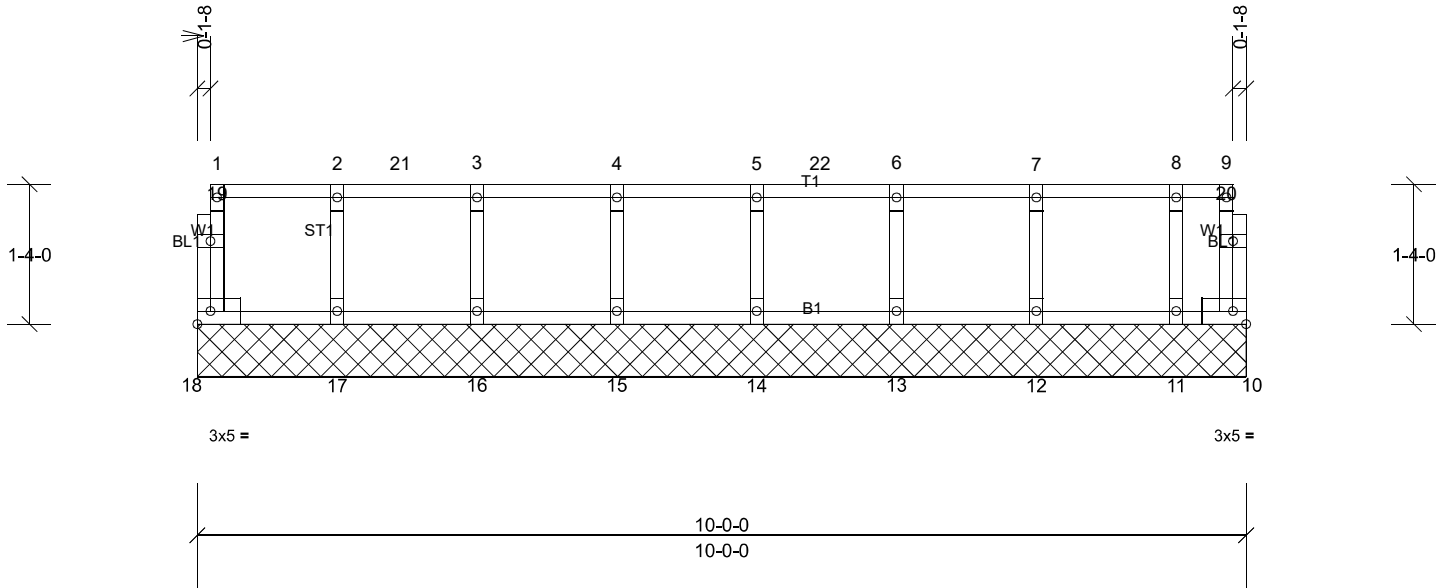
Job 20120029	Truss F7GE	Truss Type Floor Supported Gable	Qty 1	Ply 1	4 Rosemont Job Reference (optional)
-----------------	---------------	-------------------------------------	----------	----------	--

Carter Components - Sanford, Sanford, NC, user

Run: 8.41 S Oct 26 2020 Print: 8.410 S Oct 26 2020 MiTek Industries, Inc. Thu Dec 31 10:42:43

Page: 1

ID:xFVn7POp82HDQT?\_xNzQsCy3VWw-c\_rxJSlLecub??xqiDVGZ3JOEzLp8QXPlsR5Ppy3UOA



Scale = 1:22

Loading	(psf)	Spacing	2-0-0	CSI		DEFL	in	(loc)	l/defl	L/d	PLATES	GRIP
TCLL	40.0	Plate Grip DOL	0.90	TC	0.39	Vert(LL)	n/a	-	n/a	999	MT20	244/190
TCDL	10.0	Plate Metal DOL	0.90	BC	0.02	Vert(TL)	n/a	-	n/a	999		
BCLL	0.0	Lumber DOL	0.90	WB	0.07	Horiz(TL)	0.00	10	n/a	n/a		
BCDL	5.0	Rep Stress Incr	YES	Matrix-R								
		Code	IRC2018/TPI2014								Weight: 47 lb	FT = 20%F, 11%E

**LUMBER**

TOP CHORD 2x4 SP No.2(flat)  
 BOT CHORD 2x4 SP No.2(flat)  
 WEBS 2x4 SP No.3(flat)  
 OTHERS 2x4 SP No.3(flat)

**BRACING**

TOP CHORD Structural wood sheathing directly applied or 6'-0" oc purlins, except end verticals.  
 BOT CHORD Rigid ceiling directly applied or 6'-0" oc bracing.

**REACTIONS** All bearings 10'-0-0.

(lb) - Max Uplift All uplift 100 (lb) or less at joint(s) 10, 18  
 Max Grav All reactions 250 (lb) or less at joint(s) 10, 11, 13, 16, 18 except  
 12=323 (LC 4), 14=277 (LC 4), 15=290 (LC 4), 17=273 (LC 4)

**FORCES**

(lb) - Max. Comp./Max. Ten. - All forces 250 (lb) or less except when shown.

WEBS 2-17=-259/1, 4-15=-276/2, 5-14=-264/1, 7-12=-308/5

**NOTES**

- Unbalanced floor live loads have been considered for this design.
- All plates are 1.5x3 MT20 unless otherwise indicated.
- Gable requires continuous bottom chord bearing.
- Truss to be fully sheathed from one face or securely braced against lateral movement (i.e. diagonal web).
- Gable studs spaced at 1'-4" oc.
- One RT7A USP connectors recommended to connect truss to bearing walls due to UPLIFT at jt(s) 18 and 10. This connection is for uplift only and does not consider lateral forces.
- This truss is designed in accordance with the 2018 International Residential Code sections R502.11.1 and R802.10.2 and referenced standard ANSI/TPI 1.
- Recommend 2x6 strongbacks, on edge, spaced at 10'-0" oc and fastened to each truss with 3-10d (0.131" X 3") nails. Strongbacks to be attached to walls at their outer ends or restrained by other means.
- Hanger(s) or other connection device(s) shall be provided sufficient to support concentrated load(s) 267 lb down and 24 lb up at 1-11-4, 267 lb down and 24 lb up at 3-11-4, and 267 lb down and 24 lb up at 5-11-4, and 267 lb down and 24 lb up at 7-11-4 on top chord. The design/selection of such connection device(s) is the responsibility of others.
- In the LOAD CASE(S) section, loads applied to the face of the truss are noted as front (F) or back (B).

**LOAD CASE(S)** Standard

- Dead + Snow (balanced): Lumber Increase=0.90, Plate Increase=0.90 Plt. metal=0.90  
 Uniform Loads (lb/ft)  
 Vert: 10-18=-10, 1-9=-20  
 Concentrated Loads (lb)  
 Vert: 4=-267 (F), 7=-267 (F), 21=-267 (F), 22=-267 (F)

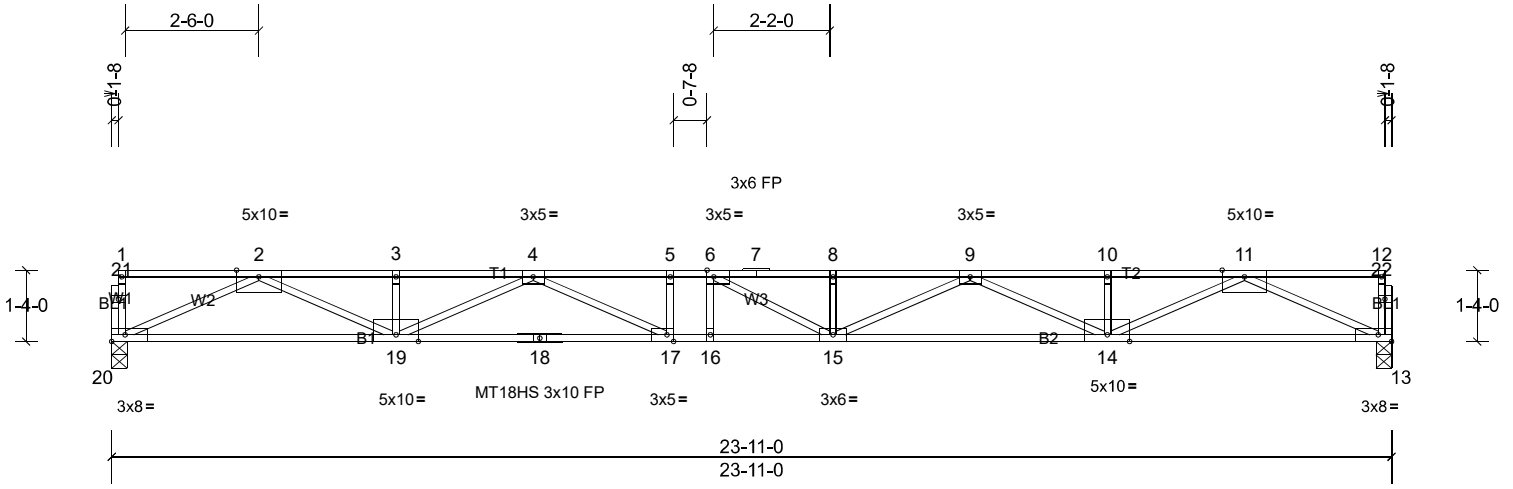
Job 20120029	Truss F8	Truss Type Floor	Qty 3	Ply 1	4 Rosemont Job Reference (optional)
-----------------	-------------	---------------------	----------	----------	--

Carter Components - Sanford, Sanford, NC, user

Run: 8.41 S Oct 26 2020 Print: 8.410 S Oct 26 2020 MiTek Industries, Inc. Thu Dec 31 10:42:43

Page: 1

ID:WgqfUNMwr7veZ?GPGFPJGay3VWz-c\_rxJSILecub??xqjDVGZ3jGszBJ8CJPisR5Ppy3UOA



Scale = 1:43.1

Plate Offsets (X, Y): [6:0-1-8,Edge], [17:0-1-8,Edge]

Loading	(psf)	Spacing	2-0-0	CSI	DEFL	in	(loc)	l/defl	L/d	PLATES	GRIP	
TCLL	40.0	Plate Grip DOL	1.00	TC	0.93	Vert(LL)	-0.66	15-16	>432	360	MT18HS	244/190
TCDL	10.0	Lumber DOL	1.00	BC	0.69	Vert(CT)	-0.90	15-16	>315	240	MT20	244/190
BCLL	0.0	Rep Stress Incr	YES	WB	0.98	Horz(CT)	0.12	13	n/a	n/a		
BCDL	5.0	Code	IRC2018/TPI2014	Matrix-SH								
											Weight: 121 lb	FT = 20%F, 11%E

**LUMBER**

TOP CHORD 2x4 SP No.1(flat)  
 BOT CHORD 2x4 SP 2400F 2.0E(flat)  
 WEBS 2x4 SP No.3(flat)  
 OTHERS 2x4 SP No.3(flat)

**BRACING**

TOP CHORD Structural wood sheathing directly applied or 2-2-0 oc purlins, except end verticals.  
 BOT CHORD Rigid ceiling directly applied or 10-0-0 oc bracing.

**REACTIONS** (lb/size) 13=1295/0-3-8, (min. 0-1-8), 20=1295/0-3-8, (min. 0-1-8)

**FORCES** (lb) - Max. Comp./Max. Ten. - All forces 250 (lb) or less except when shown.  
 TOP CHORD 2-3=-4405/0, 3-4=-4405/0, 4-5=-6312/0, 5-6=-6312/0, 6-7=-6302/0, 7-8=-6302/0, 8-9=-6302/0, 9-10=-4408/0, 10-11=-4408/0  
 BOT CHORD 19-20=0/2544, 18-19=0/5636, 17-18=0/5636, 16-17=0/6312, 15-16=0/6312, 14-15=0/5633, 13-14=0/2546  
 WEBS 11-13=-2796/0, 2-20=-2795/0, 11-14=0/2059, 2-19=0/2058, 9-14=-1354/0, 4-19=-1361/0, 9-15=0/740, 4-17=0/1007, 8-15=-287/0, 6-15=-549/478

**NOTES**

- 1) Unbalanced floor live loads have been considered for this design.
- 2) All plates are MT20 plates unless otherwise indicated.
- 3) All plates are 1.5x3 MT20 unless otherwise indicated.
- 4) The Fabrication Tolerance at joint 18 = 11%
- 5) This truss is designed in accordance with the 2018 International Residential Code sections R502.11.1 and R802.10.2 and referenced standard ANSI/TPI 1.
- 6) Recommend 2x6 strongbacks, on edge, spaced at 10-00-00 oc and fastened to each truss with 3-10d (0.131" X 3") nails. Strongbacks to be attached to walls at their outer ends or restrained by other means.

**LOAD CASE(S)** Standard

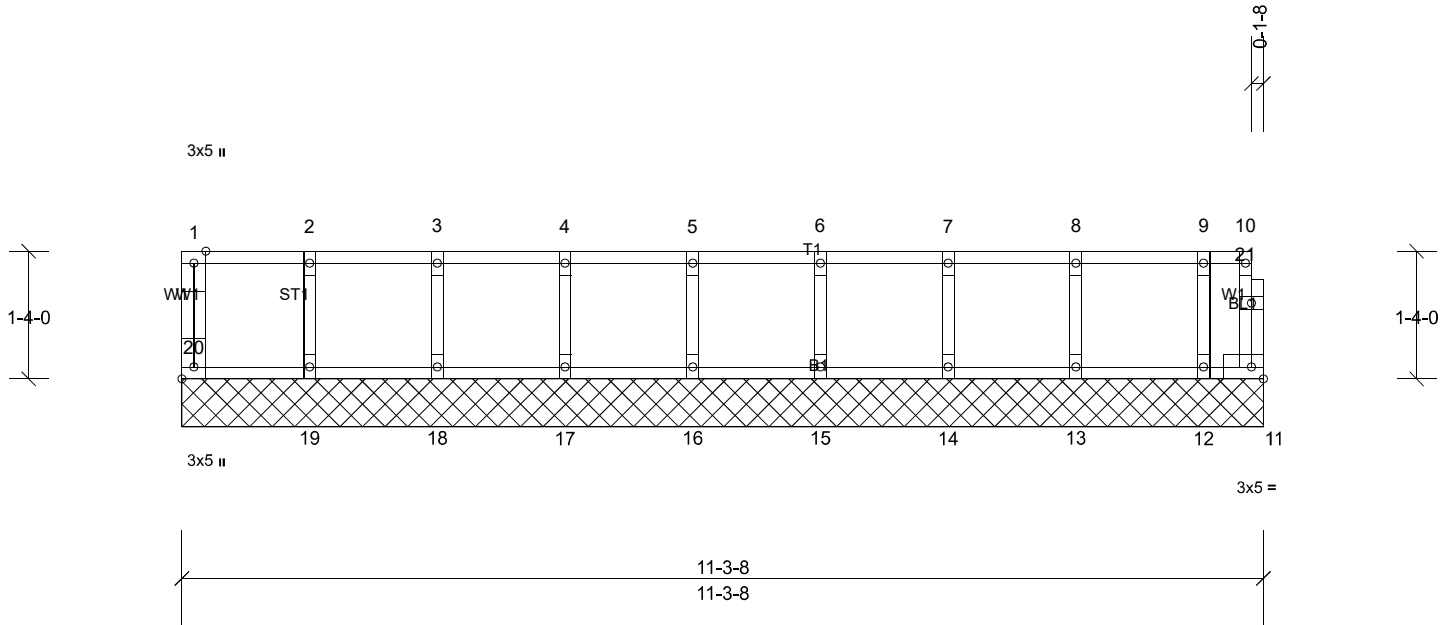
Job 20120029	Truss F8GE	Truss Type Floor Supported Gable	Qty 1	Ply 1	4 Rosemont Job Reference (optional)
-----------------	---------------	-------------------------------------	----------	----------	--

Carter Components - Sanford, Sanford, NC, user

Run: 8.41 S Oct 26 2020 Print: 8.410 S Oct 26 2020 MiTek Industries, Inc. Thu Dec 31 10:42:43

Page: 1

ID:WgqfUNMwr7veZ?GPGFPJeyay3VWz-c\_rxJSILecub??xqiDVGZ3JT8zLk8R8PlsR5Ppy3UOA



Scale = 1:24.1

Plate Offsets (X, Y): [20:Edge,0-1-8]

Loading	(psf)	Spacing	2-0-0	CSI	DEFL	in	(loc)	l/defl	L/d	PLATES	GRIP	
TCLL	40.0	Plate Grip DOL	1.00	TC	0.08	Vert(LL)	n/a	-	n/a	999	MT20	244/190
TCDL	10.0	Lumber DOL	1.00	BC	0.02	Vert(TL)	n/a	-	n/a	999		
BCLL	0.0	Rep Stress Incr	YES	WB	0.03	Horiz(TL)	0.00	11	n/a	n/a		
BCDL	5.0	Code	IRC2018/TPI2014	Matrix-R							Weight: 52 lb	FT = 20%F, 11%E

**LUMBER**  
TOP CHORD 2x4 SP No.2(flat)  
BOT CHORD 2x4 SP No.2(flat)  
WEBS 2x4 SP No.3(flat)  
OTHERS 2x4 SP No.3(flat)

**BRACING**  
TOP CHORD Structural wood sheathing directly applied or 6-0-0 oc purlins, except end verticals.  
BOT CHORD Rigid ceiling directly applied or 10-0-0 oc bracing.

**REACTIONS** All bearings 11-3-8.  
(lb) - Max Grav All reactions 250 (lb) or less at joint(s) 11, 12, 13, 14, 15, 16, 17, 18, 19, 20

**FORCES** (lb) - Max. Comp./Max. Ten. - All forces 250 (lb) or less except when shown.

- NOTES**
- All plates are 1.5x3 MT20 unless otherwise indicated.
  - Gable requires continuous bottom chord bearing.
  - Truss to be fully sheathed from one face or securely braced against lateral movement (i.e. diagonal web).
  - Gable studs spaced at 1-4-0 oc.
  - This truss is designed in accordance with the 2018 International Residential Code sections R502.11.1 and R802.10.2 and referenced standard ANSI/TPI 1.
  - Recommend 2x6 strongbacks, on edge, spaced at 10-00-00 oc and fastened to each truss with 3-10d (0.131" X 3") nails. Strongbacks to be attached to walls at their outer ends or restrained by other means.
  - CAUTION, Do not erect truss backwards.

**LOAD CASE(S)** Standard