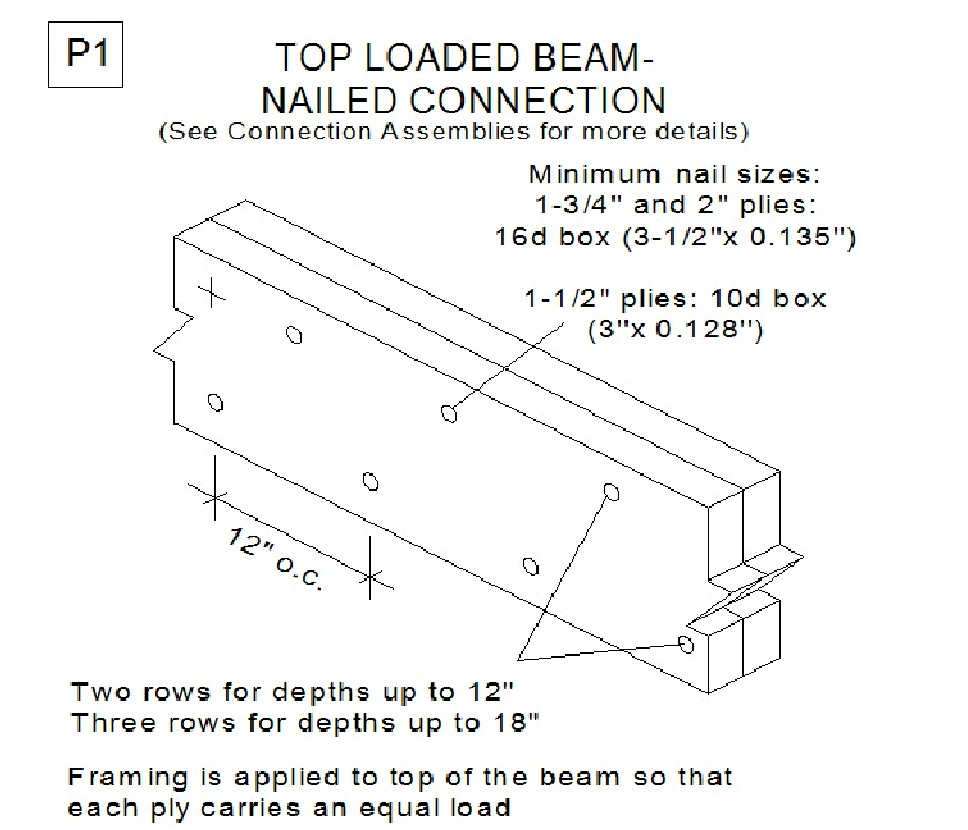


**Important Notes**

**WARNING:** Failure to follow proper procedures for handling, storage and installation could result in unsatisfactory performance, unsafe structures and possible collapse.

These instructions are offered as a guide to good practice in the handling, storage and installation of LP<sup>®</sup> SolidStart<sup>®</sup> I-Joists, LP SolidStart LVL & LP SolidStart LSL beams. They are, however, solely general recommendations and, in some instances, other or additional precautions may be desirable. In all cases, the procedures used should be as specified by the architect/engineer responsible for the entire building.

- This is not intended as a manual for selecting products and assumes that components and details have been specified correctly.
- Consult the LP SolidStart I-Joist, LP SolidStart LVL & LP SolidStart LSL brochures or contact your LP SolidStart products distributor for assistance.
- All rim joists, blocking, connections and temporary bracing must be installed before erectors are allowed on the structure.
- No loads other than the weight of the erectors are to be imposed on the structure before it is permanently sheathed.
- After sheathing, do not overload joists with construction materials exceeding design loads.
- LP SolidStart I-Joists, LP SolidStart LVL & LP SolidStart LSL beams must be used under dry, covered and well ventilated interior conditions in which the equivalent moisture content in lumber will not exceed 16%.



Customer Name:  
**RMR CUSTOM HOMES**

Job Name:  
**THE HOBBS RESIDENCE**

Designer:  
**Tony Huneycutt**

Salesman:  
**VINCE PARKER**

Scale: 1/4" = 1' | Date: 02/18/21 | 1ST FLOOR

