

RE: J0720-3212
 2631 Darroch Rd. 2-B

Trenco
 818 Soundside Rd
 Edenton, NC 27932

Site Information:

Customer: Project Name: J0720-3212
 Lot/Block: Model:
 Address: Subdivision:
 City: State:

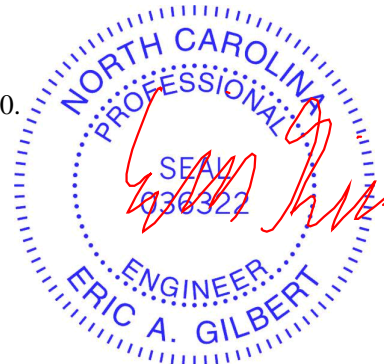
General Truss Engineering Criteria & Design Loads (Individual Truss Design Drawings Show Special Loading Conditions):

Design Code: IRC2015/TPI2014 Design Program: MiTek 20/20 8.3
 Wind Code: ASCE 7-10 Wind Speed: 130 mph
 Roof Load: 40.0 psf Floor Load: N/A psf

This package includes 21 individual, dated Truss Design Drawings and 0 Additional Drawings.

No.	Seal#	Truss Name	Date	No.	Seal#	Truss Name	Date
1	E14305178	A1	7/13/2020	21	E14305198	V5	7/13/2020
2	E14305179	A1GE	7/13/2020				
3	E14305180	A2	7/13/2020				
4	E14305181	A3	7/13/2020				
5	E14305182	A3A	7/13/2020				
6	E14305183	A3GE	7/13/2020				
7	E14305184	B1	7/13/2020				
8	E14305185	B1-GR	7/13/2020				
9	E14305186	B1GE	7/13/2020				
10	E14305187	C1	7/13/2020				
11	E14305188	C1-GR	7/13/2020				
12	E14305189	C1GE	7/13/2020				
13	E14305190	D1	7/13/2020				
14	E14305191	D1GE	7/13/2020				
15	E14305192	M1	7/13/2020				
16	E14305193	M1GE	7/13/2020				
17	E14305194	V1	7/13/2020				
18	E14305195	V2	7/13/2020				
19	E14305196	V3	7/13/2020				
20	E14305197	V4	7/13/2020				

The truss drawing(s) referenced above have been prepared by Truss Engineering Co. under my direct supervision based on the parameters provided by Comtech, Inc - Fayetteville. Truss Design Engineer's Name: Gilbert, Eric My license renewal date for the state of North Carolina is December 31, 2020. North Carolina COA: C-0844

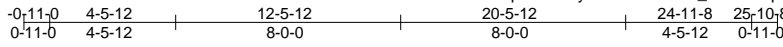


IMPORTANT NOTE: The seal on these truss component designs is a certification that the engineer named is licensed in the jurisdiction(s) identified and that the designs comply with ANSI/TPI 1. These designs are based upon parameters shown (e.g., loads, supports, dimensions, shapes and design codes), which were given to TRENCO. Any project specific information included is for TRENCO customers file reference purpose only, and was not taken into account in the preparation of these designs. TRENCO has not independently verified the applicability of the design parameters or the designs for any particular building. Before use, the building designer should verify applicability of design parameters and properly incorporate these designs into the overall building design per ANSI/TPI 1, Chapter 2.

Job J0720-3212	Truss A1	Truss Type COMMON	Qty 4	Ply 1	2631 Darroch Rd. 2-B	E14305178
-------------------	-------------	----------------------	----------	----------	----------------------	-----------

Comtech, Inc., Fayetteville, NC - 28314,

8.330 s Mar 23 2020 MiTek Industries, Inc. Thu Apr 16 14:03:07 2020 Page 1
ID:J6aSr?qB6etazEy6hKRskZzPTZ_-baz?fzopWpclpxDKhJXmPXySxStlJS0P3K941zQ76l



5x5 =

Scale = 1:81.9

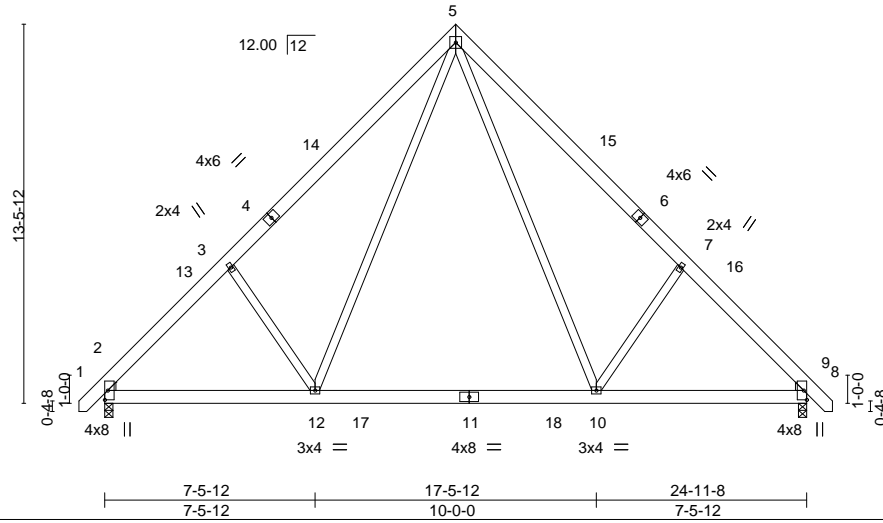


Plate Offsets (X,Y)-- [2:0-0-10,0-0-10], [2:0-1-4,0-3-10], [8:0-0-10,0-0-10], [8:0-1-4,0-3-10]

LOADING (psf)	SPACING-	2-0-0	CSI.	DEFL.	in (loc) l/defl L/d	PLATES	GRIP
TCLL 20.0	Plate Grip DOL	1.15	TC 0.27	Vert(LL) -0.18 10-12	>999 360	MT20	244/190
TCDL 10.0	Lumber DOL	1.15	BC 0.45	Vert(CT) -0.24 10-12	>999 240		
BCLL 0.0 *	Rep Stress Incr	YES	WB 0.60	Horz(CT) 0.02 8	n/a n/a		
BCDL 10.0	Code IRC2015/TPI2014		Matrix-S	Wind(LL) 0.02 10-12	>999 240		
						Weight: 204 lb	FT = 20%

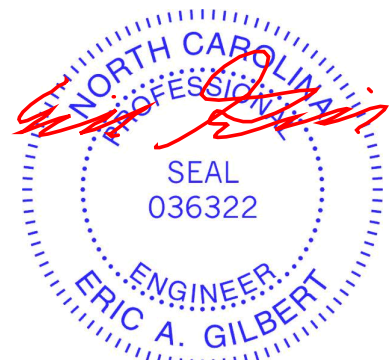
LUMBER-
TOP CHORD 2x6 SP No.1
BOT CHORD 2x6 SP No.1
WEBS 2x4 SP No.2
WEDGE
Left: 2x4 SP No.3, Right: 2x4 SP No.3

BRACING-
TOP CHORD Structural wood sheathing directly applied or 6-0-0 oc purlins.
BOT CHORD Rigid ceiling directly applied or 10-0-0 oc bracing.

REACTIONS. (size) 2=0-3-8, 8=0-3-8
Max Horz 2=-318(LC 10)
Max Uplift 2=-41(LC 12), 8=-41(LC 13)
Max Grav 2=1089(LC 19), 8=1089(LC 20)

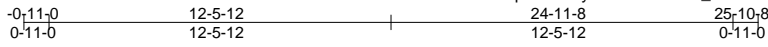
FORCES. (lb) - Max. Comp./Max. Ten. - All forces 250 (lb) or less except when shown.
TOP CHORD 2-3=-1337/286, 3-5=-1211/432, 5-7=-1212/432, 7-8=-1336/286
BOT CHORD 2-12=-149/1051, 10-12=-10/640, 8-10=-97/861
WEBS 5-10=-181/677, 7-10=-440/341, 5-12=-181/677, 3-12=-441/341

- NOTES-**
- Unbalanced roof live loads have been considered for this design.
 - Wind: ASCE 7-10; Vult=130mph (3-second gust) Vasd=103mph; TCCL=6.0psf; BCDL=6.0psf; h=15ft; Cat. II; Exp C; Enclosed; MWFRS (envelope) and C-C Exterior(2) -0-9-6 to 3-7-7, Interior(1) 3-7-7 to 12-5-12, Exterior(2) 12-5-12 to 16-10-9, Interior(1) 16-10-9 to 25-8-14 zone;C-C for members and forces & MWFRS for reactions shown; Lumber DOL=1.60 plate grip DOL=1.60
 - This truss has been designed for a 10.0 psf bottom chord live load nonconcurrent with any other live loads.
 - * This truss has been designed for a live load of 30.0psf on the bottom chord in all areas where a rectangle 3-6-0 tall by 2-0-0 wide will fit between the bottom chord and any other members, with BCDL = 10.0psf.
 - Provide mechanical connection (by others) of truss to bearing plate capable of withstanding 100 lb uplift at joint(s) 2, 8.



April 17, 2020

Job J0720-3212	Truss A1GE	Truss Type COMMON SUPPORTED GAB	Qty 1	Ply 1	2631 Darroch Rd. 2-B	E14305179
Comtech, Inc., Fayetteville, NC - 28314,					8.330 s Mar 23 2020 MiTek Industries, Inc. Thu Apr 16 14:03:09 2020 Page 1	
					ID:J6aSr?qB6etazEy6hKRSkZzPTZ_-Xz5l3fq32QsT2FMjpAL?rqdMFIFgmlisNpF8vzQ76G	
					Job Reference (optional)	



5x5 =

Scale = 1:84.1

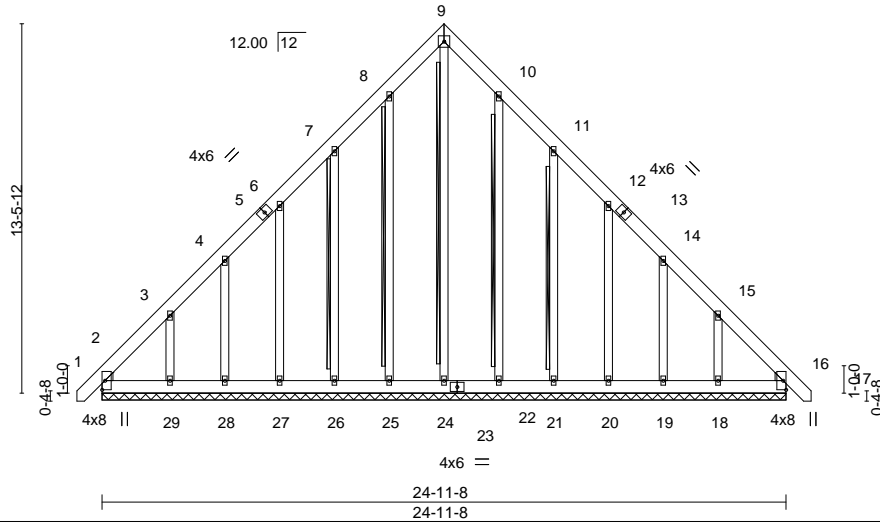


Plate Offsets (X,Y)-- [2:0-0-10,0-0-10], [2:0-1-4,0-3-10], [16:0-0-10,0-0-10], [16:0-1-4,0-3-10]

LOADING (psf)	SPACING-	2-0-0	CSI.	DEFL.	in (loc)	l/defl	L/d	PLATES	GRIP
TCLL 20.0	Plate Grip DOL	1.15	TC 0.06	Vert(LL)	0.00	16	n/r	MT20	244/190
TCDL 10.0	Lumber DOL	1.15	BC 0.05	Vert(CT)	0.00	16	n/r		
BCLL 0.0 *	Rep Stress Incr	YES	WB 0.23	Horz(CT)	0.01	16	n/a		
BCDL 10.0	Code IRC2015/TPI2014		Matrix-S						
								Weight: 264 lb	FT = 20%

LUMBER-

TOP CHORD 2x6 SP No.1
 BOT CHORD 2x6 SP No.1
 OTHERS 2x4 SP No.2
 WEDGE
 Left: 2x4 SP No.3, Right: 2x4 SP No.3

BRACING-

TOP CHORD Structural wood sheathing directly applied or 6-0-0 oc purlins.
 BOT CHORD Rigid ceiling directly applied or 10-0-0 oc bracing.
 WEBS T-Brace: 2x4 SPF No.2 - 9-24, 8-25, 7-26, 10-22, 11-21
 Fasten (2X) T and I braces to narrow edge of web with 10d (0.131"x3") nails, 6in o.c., with 3in minimum end distance.
 Brace must cover 90% of web length.

REACTIONS.

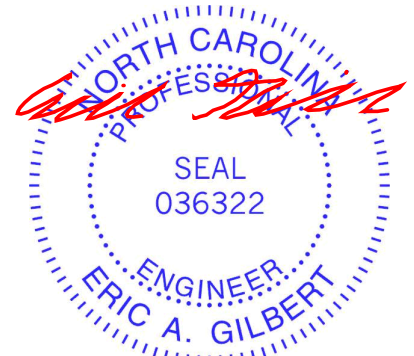
All bearings 24-11-8.
 (lb) - Max Horz 2=-397(LC 10)
 Max Uplift All uplift 100 lb or less at joint(s) 25, 22, 16 except 2=-154(LC 10), 26=-156(LC 12), 27=-140(LC 12), 28=-128(LC 12), 29=-248(LC 12), 21=-160(LC 13), 20=-141(LC 13), 19=-128(LC 13), 18=-242(LC 13)
 Max Grav All reactions 250 lb or less at joint(s) 25, 26, 27, 28, 22, 21, 20, 19 except 2=373(LC 12), 24=271(LC 13), 29=261(LC 19), 18=254(LC 20), 16=327(LC 13)

FORCES. (lb) - Max. Comp./Max. Ten. - All forces 250 (lb) or less except when shown.

TOP CHORD 2-3=-548/328, 3-4=-337/236, 8-9=-247/269, 9-10=-247/269, 14-15=-282/164, 15-16=-489/332
 BOT CHORD 2-29=-259/393, 28-29=-261/393, 27-28=-262/394, 26-27=-262/394, 25-26=-262/394, 24-25=-263/394, 22-24=-263/394, 21-22=-262/394, 20-21=-262/393, 19-20=-262/393, 18-19=-261/393, 16-18=-259/391
 WEBS 9-24=-259/183, 3-29=-267/257, 15-18=-267/251

NOTES-

- Unbalanced roof live loads have been considered for this design.
- Wind: ASCE 7-10; Vult=130mph (3-second gust) Vasd=103mph; TC DL=6.0psf; BCDL=6.0psf; h=15ft; Cat. II; Exp C; Enclosed; MWFRS (envelope) gable end zone and C-C Exterior(2) zone; C-C for members and forces & MWFRS for reactions shown; Lumber DOL=1.60 plate grip DOL=1.60
- Truss designed for wind loads in the plane of the truss only. For studs exposed to wind (normal to the face), see Standard Industry Gable End Details as applicable, or consult qualified building designer as per ANSI/TPI 1.
- All plates are 2x4 MT20 unless otherwise indicated.
- Gable requires continuous bottom chord bearing.
- Gable studs spaced at 2-0-0 oc.
- This truss has been designed for a 10.0 psf bottom chord live load nonconcurrent with any other live loads.
- * This truss has been designed for a live load of 30.0psf on the bottom chord in all areas where a rectangle 3-6-0 tall by 2-0-0 wide will fit between the bottom chord and any other members.
- Provide mechanical connection (by others) of truss to bearing plate capable of withstanding 100 lb uplift at joint(s) 25, 22, 16 except (jt=lb) 2=154, 26=156, 27=140, 28=128, 29=248, 21=160, 20=141, 19=128, 18=242.
- Beveled plate or shim required to provide full bearing surface with truss chord at joint(s) 16.
- Warning: Additional permanent and stability bracing for truss system (not part of this component design) is always required.



April 17, 2020

WARNING - Verify design parameters and READ NOTES ON THIS AND INCLUDED MITEK REFERENCE PAGE MII-7473 rev. 5/19/2020 BEFORE USE.

Design valid for use only with MiTek® connectors. This design is based only upon parameters shown, and is for an individual building component, not a truss system. Before use, the building designer must verify the applicability of design parameters and properly incorporate this design into the overall building design. Bracing indicated is to prevent buckling of individual truss web and/or chord members only. Additional temporary and permanent bracing is always required for stability and to prevent collapse with possible personal injury and property damage. For general guidance regarding the fabrication, storage, delivery, erection and bracing of trusses and truss systems, see **ANSI/TPI Quality Criteria, DSB-89 and BCSI Building Component Safety Information** available from Truss Plate Institute, 2670 Crain Highway, Suite 203 Waldorf, MD 20601

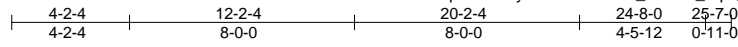


818 Soundside Road
 Edenton, NC 27932

Job J0720-3212	Truss A2	Truss Type COMMON	Qty 6	Ply 1	2631 Darroch Rd. 2-B	E14305180
-------------------	-------------	----------------------	----------	----------	----------------------	-----------

Comtech, Inc., Fayetteville, NC - 28314,

8.330 s Mar 23 2020 MiTek Industries, Inc. Thu Apr 16 14:03:10 2020 Page 1
ID:J6aSr?qB6etazEy6hKRSkZzPTZ_-?9f7H_rhpK_KgPxvMtsEN29Tt9UZVfCS51YphMzQ76F



5x5 =

Scale = 1:81.9

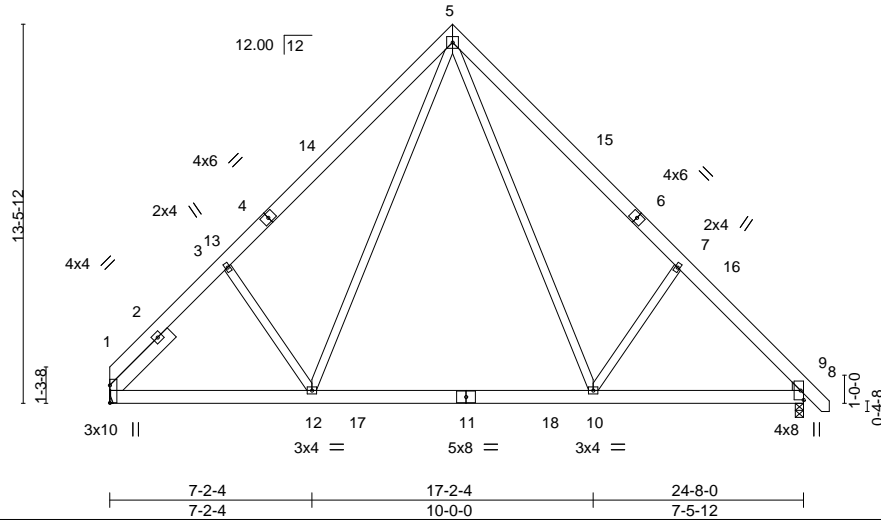


Plate Offsets (X,Y)-- [1:Edge,0-0-0], [8:0-0-10,0-0-10], [8:0-1-4,0-3-10]

LOADING (psf)	SPACING-	2-0-0	CSI.	DEFL.	in (loc)	l/defl	L/d	PLATES	GRIP
TCLL 20.0	Plate Grip DOL	1.15	TC 0.32	Vert(LL)	-0.18 10-12	>999	360	MT20	244/190
TCDL 10.0	Lumber DOL	1.15	BC 0.45	Vert(CT)	-0.24 10-12	>999	240		
BCLL 0.0 *	Rep Stress Incr	YES	WB 0.60	Horz(CT)	0.02 8	n/a	n/a		
BCDL 10.0	Code IRC2015/TPI2014		Matrix-S	Wind(LL)	0.02 10-12	>999	240		
								Weight: 207 lb	FT = 20%

LUMBER-

TOP CHORD 2x6 SP No.1
 BOT CHORD 2x6 SP No.1
 WEBS 2x4 SP No.2
 WEDGE
 Right: 2x4 SP No.3
 SLIDER Left 2x6 SP No.1 -H 3-0-3

BRACING-

TOP CHORD Structural wood sheathing directly applied or 6-0-0 oc purlins.
 BOT CHORD Rigid ceiling directly applied or 10-0-0 oc bracing.

REACTIONS.

(size) 1=Mechanical, 8=0-3-8
 Max Horz 1=-315(LC 8)
 Max Uplift 1=-36(LC 13), 8=-41(LC 13)
 Max Grav 1=1043(LC 20), 8=1083(LC 20)

FORCES. (lb) - Max. Comp./Max. Ten. - All forces 250 (lb) or less except when shown.

TOP CHORD 1-3=-1293/299, 3-5=-1182/438, 5-7=-1204/432, 7-8=-1330/285
 BOT CHORD 1-12=-155/1019, 10-12=-11/636, 8-10=-99/856
 WEBS 3-12=-414/338, 5-12=-179/643, 5-10=-181/678, 7-10=-439/340

NOTES-

- Unbalanced roof live loads have been considered for this design.
- Wind: ASCE 7-10; Vult=130mph (3-second gust) Vasd=103mph; TCCL=6.0psf; BCDL=6.0psf; h=15ft; Cat. II; Exp C; Enclosed; MWFRS (envelope) and C-C Exterior(2) 0-0-0 to 4-4-13, Interior(1) 4-4-13 to 12-2-4, Exterior(2) 12-2-4 to 16-7-1, Interior(1) 16-7-1 to 25-5-6 zone; C-C for members and forces & MWFRS for reactions shown; Lumber DOL=1.60 plate grip DOL=1.60
- This truss has been designed for a 10.0 psf bottom chord live load nonconcurrent with any other live loads.
- * This truss has been designed for a live load of 30.0psf on the bottom chord in all areas where a rectangle 3-6-0 tall by 2-0-0 wide will fit between the bottom chord and any other members, with BCDL = 10.0psf.
- Refer to girder(s) for truss to truss connections.
- Provide mechanical connection (by others) of truss to bearing plate capable of withstanding 100 lb uplift at joint(s) 1, 8.



April 17, 2020

WARNING - Verify design parameters and READ NOTES ON THIS AND INCLUDED MITEK REFERENCE PAGE MII-7473 rev. 5/19/2020 BEFORE USE.

Design valid for use only with MiTek® connectors. This design is based only upon parameters shown, and is for an individual building component, not a truss system. Before use, the building designer must verify the applicability of design parameters and properly incorporate this design into the overall building design. Bracing indicated is to prevent buckling of individual truss web and/or chord members only. Additional temporary and permanent bracing is always required for stability and to prevent collapse with possible personal injury and property damage. For general guidance regarding the fabrication, storage, delivery, erection and bracing of trusses and truss systems, see **ANSI/TPI1 Quality Criteria, DSB-89 and BCSI Building Component Safety Information** available from Truss Plate Institute, 2670 Crain Highway, Suite 203 Waldorf, MD 20601

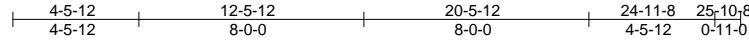


818 Soundside Road
 Edenton, NC 27932

Job J0720-3212	Truss A3	Truss Type COMMON	Qty 7	Ply 1	2631 Darroch Rd. 2-B	E14305181
-------------------	-------------	----------------------	----------	----------	----------------------	-----------

Comtech, Inc., Fayetteville, NC - 28314,

8.330 s Mar 23 2020 MiTek Industries, Inc. Thu Apr 16 14:03:11 2020 Page 1
 ID:J6aSr?qB6etazEy6hKRSkZzPTZ_-TMCWUKsJa16BIZW6wbNTwFieSZpoE64bKhIMDozQ76E



5x5 =

Scale = 1:81.9

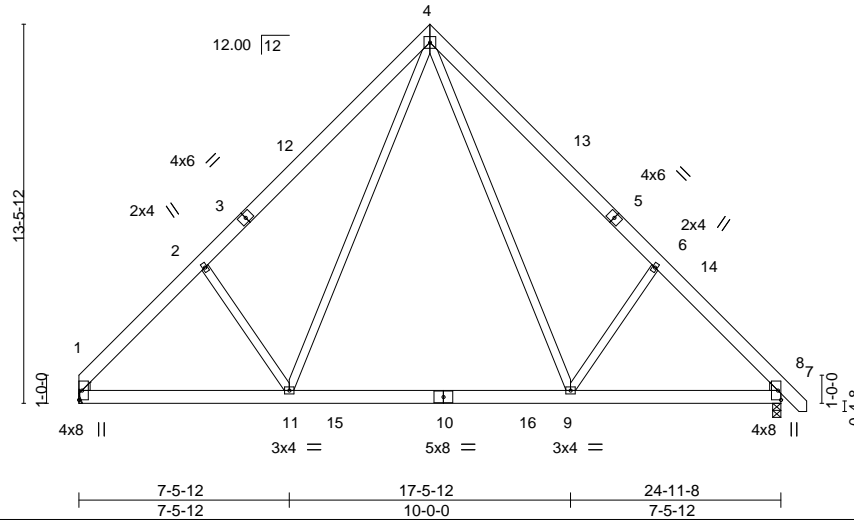


Plate Offsets (X,Y)-- [1:0-0-10,0-0-10], [1:0-1-4,0-3-10], [7:0-0-10,0-0-10], [7:0-1-4,0-3-10]

LOADING (psf)	SPACING-	2-0-0	CSI.	DEFL.	in (loc)	l/defl	L/d	PLATES	GRIP
TCLL 20.0	Plate Grip DOL	1.15	TC 0.27	Vert(LL)	-0.18	9-11	>999	MT20	244/190
TCDL 10.0	Lumber DOL	1.15	BC 0.45	Vert(CT)	-0.24	9-11	>999		
BCLL 0.0 *	Rep Stress Incr	YES	WB 0.63	Horz(CT)	0.02	7	n/a		
BCDL 10.0	Code IRC2015/TPI2014		Matrix-S	Wind(LL)	0.02	9-11	>999		
								Weight: 202 lb	FT = 20%

LUMBER-

TOP CHORD 2x6 SP No.1
 BOT CHORD 2x6 SP No.1
 WEBS 2x4 SP No.2
 WEDGE
 Left: 2x4 SP No.3 , Right: 2x4 SP No.3

BRACING-

TOP CHORD Structural wood sheathing directly applied or 6-0-0 oc purlins.
 BOT CHORD Rigid ceiling directly applied or 10-0-0 oc bracing.

REACTIONS.

(size) 1=Mechanical, 7=0-3-8
 Max Horz 1=-315(LC 8)
 Max Uplift 1=-35(LC 13), 7=-42(LC 13)
 Max Grav 1=1048(LC 20), 7=1093(LC 20)

FORCES. (lb) - Max. Comp./Max. Ten. - All forces 250 (lb) or less except when shown.

TOP CHORD 1-2=-1348/296, 2-4=-1226/445, 4-6=-1217/434, 6-7=-1342/287
 BOT CHORD 1-11=-147/1071, 9-11=-9/645, 7-9=-100/865
 WEBS 4-9=-181/677, 6-9=-440/341, 4-11=-188/694, 2-11=-450/345

NOTES-

- Unbalanced roof live loads have been considered for this design.
- Wind: ASCE 7-10; Vult=130mph (3-second gust) Vasd=103mph; TCCL=6.0psf; BCDL=6.0psf; h=15ft; Cat. II; Exp C; Enclosed; MWFRS (envelope) and C-C Exterior(2) 0-0-12 to 4-4-3, Interior(1) 4-4-3 to 12-5-12, Exterior(2) 12-5-12 to 16-10-9, Interior(1) 16-10-9 to 25-8-14 zone;C-C for members and forces & MWFRS for reactions shown; Lumber DOL=1.60 plate grip DOL=1.60
- This truss has been designed for a 10.0 psf bottom chord live load nonconcurrent with any other live loads.
- * This truss has been designed for a live load of 30.0psf on the bottom chord in all areas where a rectangle 3-6-0 tall by 2-0-0 wide will fit between the bottom chord and any other members, with BCDL = 10.0psf.
- Refer to girder(s) for truss to truss connections.
- Provide mechanical connection (by others) of truss to bearing plate capable of withstanding 100 lb uplift at joint(s) 1, 7.



April 17, 2020

WARNING - Verify design parameters and READ NOTES ON THIS AND INCLUDED MITEK REFERENCE PAGE MII-7473 rev. 5/19/2020 BEFORE USE.

Design valid for use only with MiTek® connectors. This design is based only upon parameters shown, and is for an individual building component, not a truss system. Before use, the building designer must verify the applicability of design parameters and properly incorporate this design into the overall building design. Bracing indicated is to prevent buckling of individual truss web and/or chord members only. Additional temporary and permanent bracing is always required for stability and to prevent collapse with possible personal injury and property damage. For general guidance regarding the fabrication, storage, delivery, erection and bracing of trusses and truss systems, see **ANSI/TPI1 Quality Criteria, DSB-89 and BCSI Building Component Safety Information** available from Truss Plate Institute, 2670 Crain Highway, Suite 203 Waldorf, MD 20601

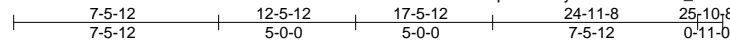


818 Soundside Road
 Edenton, NC 27932

Job J0720-3212	Truss A3A	Truss Type COMMON	Qty 5	Ply 1	2631 Darroch Rd. 2-B	E14305182
-------------------	--------------	----------------------	----------	----------	----------------------	-----------

Comtech, Inc., Fayetteville, NC - 28314,

8.330 s Mar 23 2020 MiTek Industries, Inc. Thu Apr 16 14:03:12 2020 Page 1
ID:J6aSr?gB6etazEy6hKRSkZzPTZ_-xYmuigsxLLE1vi5IUluiTTFpNy8OzgVYl1wIEzQ76D



Scale = 1:84.1

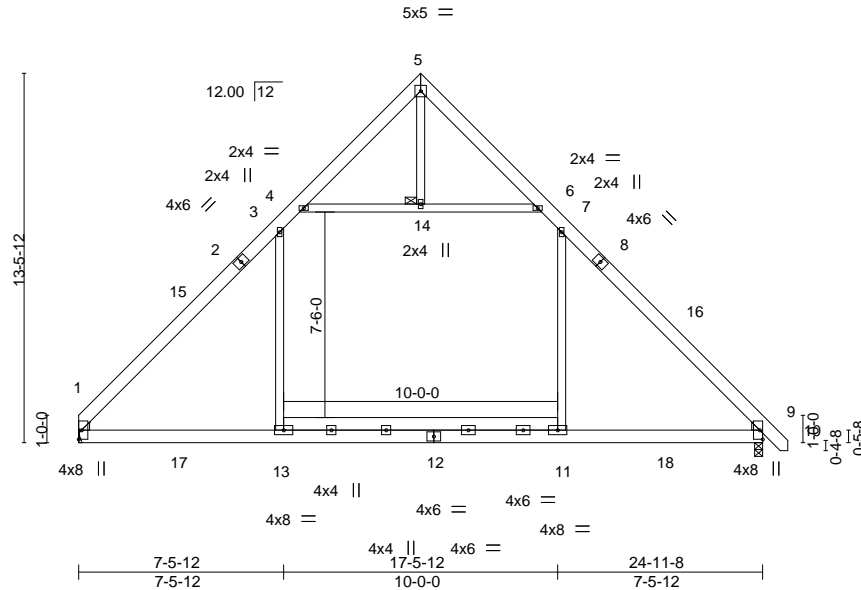


Plate Offsets (X,Y)-- [1:0-0-10,0-0-10], [1:0-1-4,0-3-10], [9:0-0-10,0-0-10], [9:0-1-4,0-3-10]

LOADING (psf)	SPACING-	CSL	DEFL.	in (loc)	l/defl	L/d	PLATES	GRIP
TCLL 20.0	Plate Grip DOL 1.15	TC 0.32	Vert(LL) -0.17	1-13	>999	360	MT20	244/190
TCDL 10.0	Lumber DOL 1.15	BC 0.56	Vert(CT) -0.19	1-13	>999	240		
BCLL 0.0 *	Rep Stress Incr YES	WB 0.17	Horz(CT) 0.02	9	n/a	n/a		
BCDL 10.0	Code IRC2015/TP12014	Matrix-S	Wind(LL) 0.21	1-13	>999	240		
							Weight: 211 lb	FT = 20%

LUMBER-
 TOP CHORD 2x6 SP No.1
 BOT CHORD 2x6 SP No.1
 WEBS 2x4 SP No.2
 WEDGE
 Left: 2x4 SP No.3 , Right: 2x4 SP No.3

BRACING-
 TOP CHORD Structural wood sheathing directly applied or 5-9-10 oc purlins.
 BOT CHORD Rigid ceiling directly applied or 10-0-0 oc bracing.
 JOINTS 1 Brace at Jt(s): 14

REACTIONS. (size) 1=Mechanical, 9=0-3-8
 Max Horz 1=-315(LC 8)
 Max Uplift 1=-35(LC 13), 9=-42(LC 13)
 Max Grav 1=1292(LC 20), 9=1339(LC 20)

FORCES. (lb) - Max. Comp./Max. Ten. - All forces 250 (lb) or less except when shown.
 TOP CHORD 1-3=-1668/260, 3-4=-916/330, 6-7=-916/324, 7-9=-1683/268
 BOT CHORD 1-13=-2/1079, 11-13=-6/1081, 9-11=-2/1078
 WEBS 3-13=-20/712, 7-11=-22/725, 4-14=-950/405, 6-14=-950/405

- NOTES-**
- Unbalanced roof live loads have been considered for this design.
 - Wind: ASCE 7-10; Vult=130mph (3-second gust) Vasd=103mph; TCCL=6.0psf; BCDL=6.0psf; h=15ft; Cat. II; Exp C; Enclosed; MWFRS (envelope) and C-C Exterior(2) 0-0-12 to 4-5-9, Interior(1) 4-5-9 to 12-5-12, Exterior(2) 12-5-12 to 17-0-11, Interior(1) 17-0-11 to 25-8-14 zone;C-C for members and forces & MWFRS for reactions shown; Lumber DOL=1.60 plate grip DOL=1.60
 - This truss has been designed for a 10.0 psf bottom chord live load nonconcurrent with any other live loads.
 - * This truss has been designed for a live load of 30.0psf on the bottom chord in all areas where a rectangle 3-6-0 tall by 2-0-0 wide will fit between the bottom chord and any other members, with BCDL = 10.0psf.
 - Refer to girder(s) for truss to truss connections.
 - Provide mechanical connection (by others) of truss to bearing plate capable of withstanding 100 lb uplift at joint(s) 1, 9.



April 17, 2020

WARNING - Verify design parameters and READ NOTES ON THIS AND INCLUDED MITEK REFERENCE PAGE MII-7473 rev. 5/19/2020 BEFORE USE.

Design valid for use only with MiTek® connectors. This design is based only upon parameters shown, and is for an individual building component, not a truss system. Before use, the building designer must verify the applicability of design parameters and properly incorporate this design into the overall building design. Bracing indicated is to prevent buckling of individual truss web and/or chord members only. Additional temporary and permanent bracing is always required for stability and to prevent collapse with possible personal injury and property damage. For general guidance regarding the fabrication, storage, delivery, erection and bracing of trusses and truss systems, see **ANSI/TPI1 Quality Criteria, DSB-89 and BCSI Building Component Safety Information** available from Truss Plate Institute, 2670 Crain Highway, Suite 203 Waldorf, MD 20601



818 Soundside Road
 Edenton, NC 27932

Job J0720-3212	Truss A3GE	Truss Type COMMON SUPPORTED GAB	Qty 1	Ply 1	2631 Darroch Rd. 2-B	E14305183
Comtech, Inc., Fayetteville, NC - 28314,					8.330 s Mar 23 2020 MiTek Industries, Inc. Thu Apr 16 14:03:13 2020 Page 1	
					ID:J6aSr?qB6etazEy6hKRskZzPTZ_-PkKGv0tZ6fMuXsgU20Qx?gn2EMcci6hun?nTHhzQ76C	
					Job Reference (optional)	

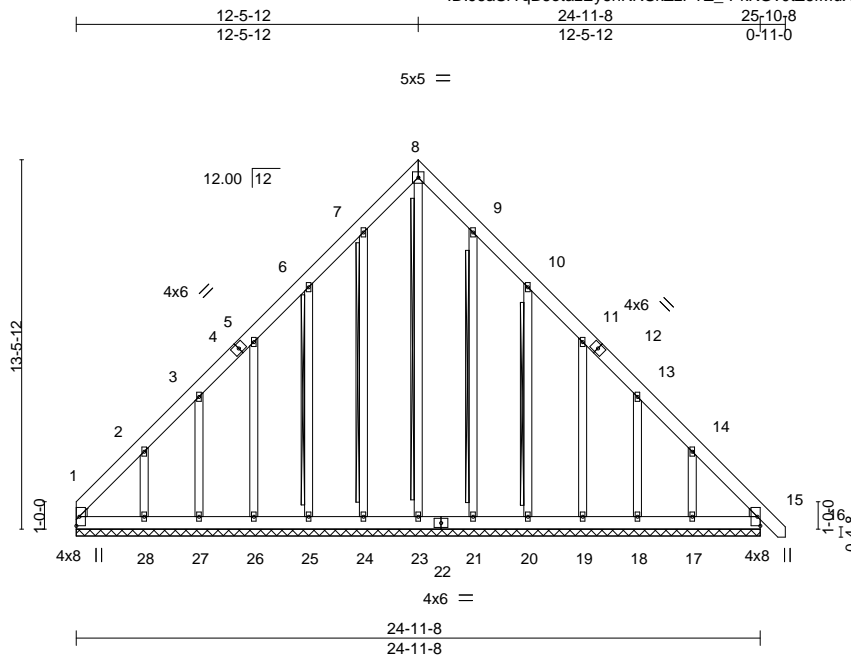


Plate Offsets (X,Y)-- [1:0-0-10,0-0-10], [1:0-1-4,0-3-10], [15:0-0-10,0-0-10], [15:0-1-4,0-3-10]

LOADING (psf)	SPACING-	CSL	DEFL.	PLATES	GRIP
TCLL 20.0	Plate Grip DOL 1.15	TC 0.06	in (loc) l/defl L/d	MT20	244/190
TCDL 10.0	Lumber DOL 1.15	BC 0.05	Vert(LL) 0.00 15 n/r 120		
BCLL 0.0 *	Rep Stress Incr YES	WB 0.23	Vert(CT) 0.00 15 n/r 120		
BCDL 10.0	Code IRC2015/TPI2014	Matrix-S	Horz(CT) 0.01 15 n/a n/a		
				Weight: 262 lb	FT = 20%

LUMBER-
TOP CHORD 2x6 SP No.1
BOT CHORD 2x6 SP No.1
OTHERS 2x4 SP No.2
WEDGE
Left: 2x4 SP No.3 , Right: 2x4 SP No.3

BRACING-
TOP CHORD Structural wood sheathing directly applied or 6-0-0 oc purlins.
BOT CHORD Rigid ceiling directly applied or 10-0-0 oc bracing.
WEBS T-Brace: 2x4 SPF No.2 - 8-23, 7-24, 6-25, 9-21, 10-20
Fasten (2X) T and I braces to narrow edge of web with 10d (0.131"x3") nails, 6in o.c., with 3in minimum end distance. Brace must cover 90% of web length.

REACTIONS. All bearings 24-11-8.
(lb) - Max Horz 1=-394(LC 8)
Max Uplift All uplift 100 lb or less at joint(s) 24, 21, 15 except 1=-182(LC 10), 25=-156(LC 12), 26=-140(LC 12), 27=-127(LC 12), 28=-255(LC 12), 20=-160(LC 13), 19=-141(LC 13), 18=-128(LC 13), 17=-242(LC 13)
Max Grav All reactions 250 lb or less at joint(s) 24, 25, 26, 27, 21, 20, 19, 18 except 1=400(LC 12), 23=271(LC 13), 28=273(LC 19), 17=254(LC 20), 15=327(LC 13)

FORCES. (lb) - Max. Comp./Max. Ten. - All forces 250 (lb) or less except when shown.
TOP CHORD 1-2=-554/334, 2-3=-335/235, 7-8=-247/269, 8-9=-247/269, 13-14=-282/163, 14-15=-489/332
BOT CHORD 1-28=-259/393, 27-28=-261/393, 26-27=-261/393, 25-26=-262/394, 24-25=-262/394, 23-24=-262/394, 21-23=-262/394, 20-21=-262/394, 19-20=-262/393, 18-19=-261/393, 17-18=-261/392, 15-17=-259/391
WEBS 8-23=-260/183, 2-28=-271/267, 14-17=-267/251

- NOTES-**
- Unbalanced roof live loads have been considered for this design.
 - Wind: ASCE 7-10; Vult=130mph (3-second gust) Vasd=103mph; TC DL=6.0psf; BCDL=6.0psf; h=15ft; Cat. II; Exp C; Enclosed; MWFRS (envelope) gable end zone and C-C Exterior(2) zone; C-C for members and forces & MWFRS for reactions shown; Lumber DOL=1.60 plate grip DOL=1.60
 - Truss designed for wind loads in the plane of the truss only. For studs exposed to wind (normal to the face), see Standard Industry Gable End Details as applicable, or consult qualified building designer as per ANSI/TPI 1.
 - All plates are 2x4 MT20 unless otherwise indicated.
 - Gable requires continuous bottom chord bearing.
 - Gable studs spaced at 2-0-0 oc.
 - This truss has been designed for a 10.0 psf bottom chord live load nonconcurrent with any other live loads.
 - * This truss has been designed for a live load of 30.0psf on the bottom chord in all areas where a rectangle 3-6-0 tall by 2-0-0 wide will fit between the bottom chord and any other members.
 - Provide mechanical connection (by others) of truss to bearing plate capable of withstanding 100 lb uplift at joint(s) 24, 21, 15 except (jt=lb) 1=182, 25=156, 26=140, 27=127, 28=255, 20=160, 19=141, 18=128, 17=242.
 - Beveled plate or shim required to provide full bearing surface with truss chord at joint(s) 15.
 - Warning: Additional permanent and stability bracing for truss system (not part of this component design) is always required.



WARNING - Verify design parameters and READ NOTES ON THIS AND INCLUDED MITEK REFERENCE PAGE MII-7473 rev. 5/19/2020 BEFORE USE.
Design valid for use only with MiTek® connectors. This design is based only upon parameters shown, and is for an individual building component, not a truss system. Before use, the building designer must verify the applicability of design parameters and properly incorporate this design into the overall building design. Bracing indicated is to prevent buckling of individual truss web and/or chord members only. Additional temporary and permanent bracing is always required for stability and to prevent collapse with possible personal injury and property damage. For general guidance regarding the fabrication, storage, delivery, erection and bracing of trusses and truss systems, see **ANSI/TPI1 Quality Criteria, DSB-89 and BCSI Building Component Safety Information** available from Truss Plate Institute, 2670 Crain Highway, Suite 203 Waldorf, MD 20601

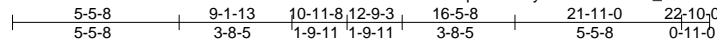
ENGINEERING BY
TRENCO
A MiTek Affiliate
818 Soundside Road
Edenton, NC 27932

Job J0720-3212	Truss B1	Truss Type ATTIC	Qty 6	Ply 1	2631 Darroch Rd. 2-B	E14305184
-------------------	-------------	---------------------	----------	----------	----------------------	-----------

Comtech, Inc., Fayetteville, NC - 28314,

8.330 s Mar 23 2020 MiTek Industries, Inc. Thu Apr 16 14:03:15 2020 Page 1

ID:J6aSr?qB6etazEy6hKRSkZzPTZ_-M7S0KivqdGccnAqt9RSP45tlbAEBA1lBEIGaMzZQ76A



6x8 =

Scale = 1:75.5

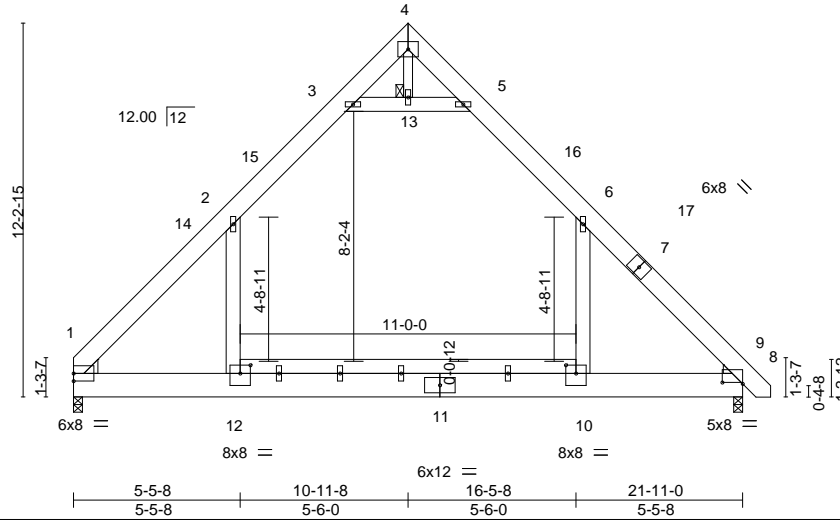


Plate Offsets (X,Y)-- [8:0-8-0,0-0-9], [10:0-4-0,0-3-4], [12:0-4-0,0-3-4]

LOADING (psf)	SPACING-	2-0-0	CSI.	DEFL.	in (loc)	l/defl	L/d	PLATES	GRIP
TCLL 20.0	Plate Grip DOL	1.15	TC 0.38	Vert(LL)	-0.17	10-12	>999	MT20	244/190
TCDL 10.0	Lumber DOL	1.15	BC 0.30	Vert(CT)	-0.29	10-12	>898		
BCLL 0.0 *	Rep Stress Incr	YES	WB 0.13	Horz(CT)	0.01	8	n/a		
BCDL 10.0	Code IRC2015/TP12014		Matrix-S	Wind(LL)	0.06	10-12	>999		
								Weight: 250 lb	FT = 20%

LUMBER-

TOP CHORD 2x8 SP 2400F 2.0E
 BOT CHORD 2x10 SP 2400F 2.0E *Except*
 10-12: 2x6 SP No.1
 WEBS 2x6 SP No.1 *Except*
 4-13: 2x4 SP No.2

WEDGE

Left: 2x6 SP No.2 , Right: 2x4 SP No.3

REACTIONS.

(size) 1=0-3-8, 8=0-3-8
 Max Horz 1=-277(LC 8)
 Max Grav 1=1413(LC 21), 8=1459(LC 21)

FORCES. (lb) - Max. Comp./Max. Ten. - All forces 250 (lb) or less except when shown.

TOP CHORD 1-2=-1864/0, 2-3=-1036/152, 3-4=-37/431, 4-5=-41/442, 5-6=-1026/148, 6-8=-1926/0
 BOT CHORD 1-12=0/1083, 10-12=0/1083, 8-10=0/1083
 WEBS 6-10=0/970, 2-12=0/886, 3-13=-1611/246, 5-13=-1611/246

NOTES-

- Unbalanced roof live loads have been considered for this design.
- Wind: ASCE 7-10; Vult=130mph (3-second gust) Vasd=103mph; TC DL=6.0psf; BCDL=6.0psf; h=15ft; Cat. II; Exp C; Enclosed; MWFRS (envelope) and C-C Exterior(2) 0-0-0 to 4-4-13, Interior(1) 4-4-13 to 10-11-8, Exterior(2) 10-11-8 to 15-4-5, Interior(1) 15-4-5 to 22-7-2 zone; C-C for members and forces & MWFRS for reactions shown; Lumber DOL=1.60 plate grip DOL=1.60
- All plates are 2x6 MT20 unless otherwise indicated.
- This truss has been designed for a 10.0 psf bottom chord live load nonconcurrent with any other live loads.
- * This truss has been designed for a live load of 30.0psf on the bottom chord in all areas where a rectangle 3-6-0 tall by 2-0-0 wide will fit between the bottom chord and any other members.
- Ceiling dead load (10.0 psf) on member(s). 2-3, 5-6, 3-13, 5-13; Wall dead load (5.0psf) on member(s).6-10, 2-12
- Bottom chord live load (40.0 psf) and additional bottom chord dead load (10.0 psf) applied only to room. 10-12
- Attic room checked for L/360 deflection.



April 17, 2020

WARNING - Verify design parameters and READ NOTES ON THIS AND INCLUDED MITEK REFERENCE PAGE MII-7473 rev. 5/19/2020 BEFORE USE.

Design valid for use only with MiTek® connectors. This design is based only upon parameters shown, and is for an individual building component, not a truss system. Before use, the building designer must verify the applicability of design parameters and properly incorporate this design into the overall building design. Bracing indicated is to prevent buckling of individual truss web and/or chord members only. Additional temporary and permanent bracing is always required for stability and to prevent collapse with possible personal injury and property damage. For general guidance regarding the fabrication, storage, delivery, erection and bracing of trusses and truss systems, see **ANSI/TP1 Quality Criteria, DSB-89 and BCSI Building Component Safety Information** available from Truss Plate Institute, 2670 Crain Highway, Suite 203 Waldorf, MD 20601

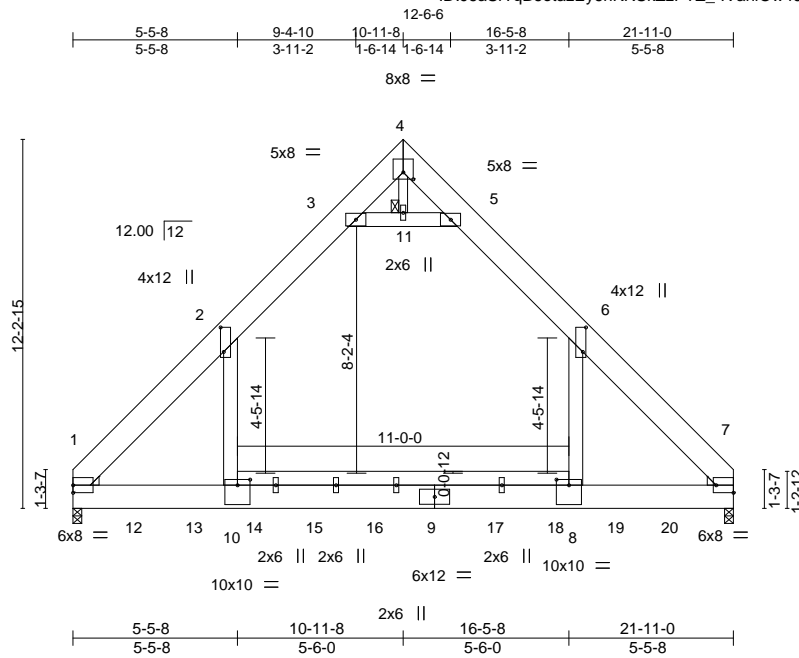


818 Soundside Road
 Edenton, NC 27932

Job J0720-3212	Truss B1-GR	Truss Type ATTIC	Qty 1	Ply 3	2631 Darroch Rd. 2-B Job Reference (optional)	E14305185
-------------------	----------------	---------------------	----------	----------	--	-----------

Comtech, Inc., Fayetteville, NC - 28314,

8.330 s Mar 23 2020 MiTek Industries, Inc. Thu Apr 16 14:03:17 2020 Page 1
ID:J6aSr?qB6etazEy6hKRskZzPTZ_-lVaniOw49tsK0UzFHRUtAWyYwzuteuSUiclhQSzQ768



Scale = 1:76.5

Plate Offsets (X,Y)-- [2:0-9-12,0-1-4], [4:0-4-0,0-2-12], [6:0-9-12,0-1-4], [7:Edge,0-3-0], [8:0-5-0,0-2-4], [10:0-5-0,0-2-4]

LOADING (psf)	SPACING-	CSL	DEFL.	in (loc)	l/defl	L/d	PLATES	GRIP
TCLL 20.0	Plate Grip DOL 1.15	TC 0.72	Vert(LL) -0.27	8-10	>945	360	MT20	244/190
TCDL 10.0	Lumber DOL 1.15	BC 0.35	Vert(CT) -0.37	8-10	>693	240		
BCLL 0.0 *	Rep Stress Incr NO	WB 0.38	Horz(CT) 0.02	7	n/a	n/a		
BCDL 10.0	Code IRC2015/TPI2014	Matrix-S	Wind(LL) 0.01	8-10	>999	240		
							Weight: 812 lb	FT = 20%

LUMBER-

TOP CHORD 2x10 SP 2400F 2.0E
 BOT CHORD 2x10 SP 2400F 2.0E *Except*
 8-10: 2x6 SP No.1
 WEBS 2x6 SP No.1 *Except*
 4-11: 2x4 SP No.2
 WEDGE
 Left: 2x4 SP No.3 , Right: 2x4 SP No.3

BRACING-

TOP CHORD Structural wood sheathing directly applied or 6-0-0 oc purlins.
 BOT CHORD Rigid ceiling directly applied or 10-0-0 oc bracing.
 JOINTS 1 Brace at Jt(s): 11

REACTIONS.

(size) 1=0-3-8, 7=0-3-8
 Max Horz 1=271(LC 6)
 Max Grav 1=9589(LC 14), 7=9574(LC 14)

FORCES.

(lb) - Max. Comp./Max. Ten. - All forces 250 (lb) or less except when shown.
 TOP CHORD 1-2=-10064/0, 2-3=-4195/34, 3-4=-17/3622, 4-5=-18/3632, 5-6=-4186/34, 6-7=-10074/0
 BOT CHORD 1-10=0/5632, 8-10=0/5695, 7-8=0/5632
 WEBS 6-8=0/8164, 2-10=0/8138, 3-11=-11247/4, 5-11=-11247/4, 4-11=0/831

NOTES-

- 3-ply truss to be connected together with 10d (0.131"x3") nails as follows:
 Top chords connected as follows: 2x10 - 2 rows staggered at 0-9-0 oc.
 Bottom chords connected as follows: 2x10 - 5 rows staggered at 0-4-0 oc.
 Webs connected as follows: 2x6 - 2 rows staggered at 0-9-0 oc, 2x4 - 1 row at 0-9-0 oc.
- All loads are considered equally applied to all plies, except if noted as front (F) or back (B) face in the LOAD CASE(S) section. Ply to ply connections have been provided to distribute only loads noted as (F) or (B), unless otherwise indicated.
- Unbalanced roof live loads have been considered for this design.
- Wind: ASCE 7-10; Vult=130mph (3-second gust) Vasd=103mph; TC DL=6.0psf; BC DL=6.0psf; h=15ft; Cat. II; Exp C; Enclosed; MWF RS (envelope); Lumber DOL=1.60 plate grip DOL=1.60



April 17, 2020

Continued on page 2

WARNING - Verify design parameters and READ NOTES ON THIS AND INCLUDED MITEK REFERENCE PAGE MII-7473 rev. 5/19/2020 BEFORE USE.

Design valid for use only with MiTek® connectors. This design is based only upon parameters shown, and is for an individual building component, not a truss system. Before use, the building designer must verify the applicability of design parameters and properly incorporate this design into the overall building design. Bracing indicated is to prevent buckling of individual truss web and/or chord members only. Additional temporary and permanent bracing is always required for stability and to prevent collapse with possible personal injury and property damage. For general guidance regarding the fabrication, storage, delivery, erection and bracing of trusses and truss systems, see **ANSI/TPI1 Quality Criteria, DSB-89 and BCSI Building Component Safety Information** available from Truss Plate Institute, 2670 Crain Highway, Suite 203 Waldorf, MD 20601



818 Soundside Road
 Edenton, NC 27932

Job	Truss	Truss Type	Qty	Ply	2631 Darroch Rd. 2-B	E14305185
J0720-3212	B1-GR	ATTIC	1	3	Job Reference (optional)	

Comtech, Inc., Fayetteville, NC - 28314,

8.330 s Mar 23 2020 MiTek Industries, Inc. Thu Apr 16 14:03:18 2020 Page 2
ID:J6aSr?qB6etazEy6hKRskZzPTZ_-mi79yxiwB_BedYSqz?6ikVjgNE6NLhdxGUEzuzQ767

NOTES-

- 5) Concentrated loads from layout are not present in Load Case(s): #3 Dead + Uninhabitable Attic Without Storage; #4 Dead + 0.6 MWFRS Wind (Pos. Internal) Left; #5 Dead + 0.6 MWFRS Wind (Pos. Internal) Right; #6 Dead + 0.6 MWFRS Wind (Neg. Internal) Left; #7 Dead + 0.6 MWFRS Wind (Neg. Internal) Right; #8 Dead + 0.6 MWFRS Wind (Pos. Internal) 1st Parallel; #9 Dead + 0.6 MWFRS Wind (Pos. Internal) 2nd Parallel; #10 Dead + 0.6 MWFRS Wind (Pos. Internal) 3rd Parallel; #11 Dead + 0.6 MWFRS Wind (Pos. Internal) 4th Parallel; #12 Dead + 0.6 MWFRS Wind (Neg. Internal) 1st Parallel; #13 Dead + 0.6 MWFRS Wind (Neg. Internal) 2nd Parallel; #20 Dead + 0.75 Roof Live (bal.) + 0.75 Attic Floor + 0.75(0.6 MWFRS Wind (Neg. Int) Left); #21 Dead + 0.75 Roof Live (bal.) + 0.75 Attic Floor + 0.75(0.6 MWFRS Wind (Neg. Int) Right); #22 Dead + 0.75 Roof Live (bal.) + 0.75 Attic Floor + 0.75(0.6 MWFRS Wind (Neg. Int) 1st Parallel); #23 Dead + 0.75 Roof Live (bal.) + 0.75 Attic Floor + 0.75(0.6 MWFRS Wind (Neg. Int) 2nd Parallel).
- 6) This truss has been designed for a 10.0 psf bottom chord live load nonconcurrent with any other live loads.
- 7) * This truss has been designed for a live load of 30.0psf on the bottom chord in all areas where a rectangle 3-6-0 tall by 2-0-0 wide will fit between the bottom chord and any other members.
- 8) Ceiling dead load (10.0 psf) on member(s). 2-3, 5-6, 3-11, 5-11; Wall dead load (5.0psf) on member(s).6-8, 2-10
- 9) Bottom chord live load (40.0 psf) and additional bottom chord dead load (10.0 psf) applied only to room. 8-10
- 10) Hanger(s) or other connection device(s) shall be provided sufficient to support concentrated load(s) 1726 lb down at 1-11-12, 1726 lb down at 3-11-12, 3826 lb down at 5-2-12, 376 lb down and 34 lb up at 5-11-12, 376 lb down and 34 lb up at 7-11-12, 376 lb down and 34 lb up at 9-11-12, 376 lb down and 34 lb up at 11-11-12, 376 lb down and 34 lb up at 13-11-12, 376 lb down and 34 lb up at 15-11-12, 3826 lb down at 16-8-4, and 1726 lb down at 17-11-12, and 1726 lb down at 19-9-4 on bottom chord. The design/selection of such connection device(s) is the responsibility of others.
- 11) Attic room checked for L/360 deflection.

LOAD CASE(S) Standard

- 1) Dead + Roof Live (balanced): Lumber Increase=1.15, Plate Increase=1.15

Uniform Loads (plf)

Vert: 1-2=-60, 2-3=-80, 3-4=-60, 4-5=-60, 5-6=-80, 6-7=-60, 1-10=-20, 8-10=-40, 7-8=-20, 3-5=-20

Drag: 6-8=-10, 2-10=-10

Concentrated Loads (lb)

Vert: 9=-62(B) 8=-1029(B) 10=-1029(B) 12=-430(B) 13=-430(B) 14=-62(B) 15=-62(B) 16=-62(B) 17=-62(B) 18=-62(B) 19=-430(B) 20=-430(B)

WARNING - Verify design parameters and READ NOTES ON THIS AND INCLUDED MITEK REFERENCE PAGE MII-7473 rev. 5/19/2020 BEFORE USE.

Design valid for use only with MiTek® connectors. This design is based only upon parameters shown, and is for an individual building component, not a truss system. Before use, the building designer must verify the applicability of design parameters and properly incorporate this design into the overall building design. Bracing indicated is to prevent buckling of individual truss web and/or chord members only. Additional temporary and permanent bracing is always required for stability and to prevent collapse with possible personal injury and property damage. For general guidance regarding the fabrication, storage, delivery, erection and bracing of trusses and truss systems, see **ANSI/TPI1 Quality Criteria, DSB-89 and BCSI Building Component Safety Information** available from Truss Plate Institute, 2670 Crain Highway, Suite 203 Waldorf, MD 20601



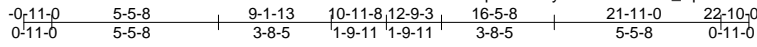
818 Soundside Road
Edenton, NC 27932

Job J0720-3212	Truss B1GE	Truss Type GABLE	Qty 1	Ply 1	2631 Darroch Rd. 2-B	E14305186
-------------------	---------------	---------------------	----------	----------	----------------------	-----------

Comtech, Inc., Fayetteville, NC - 28314,

8.330 s Mar 23 2020 MiTek Industries, Inc. Thu Apr 16 14:03:16 2020 Page 1

ID:J6aSr?qB6etazEy6hKRskZzPTZ_-qJ0PX2vSOakTOKP3j8zedJPTVaarUYKTy?7u?zQ769



6x8 =

Scale = 1:75.5

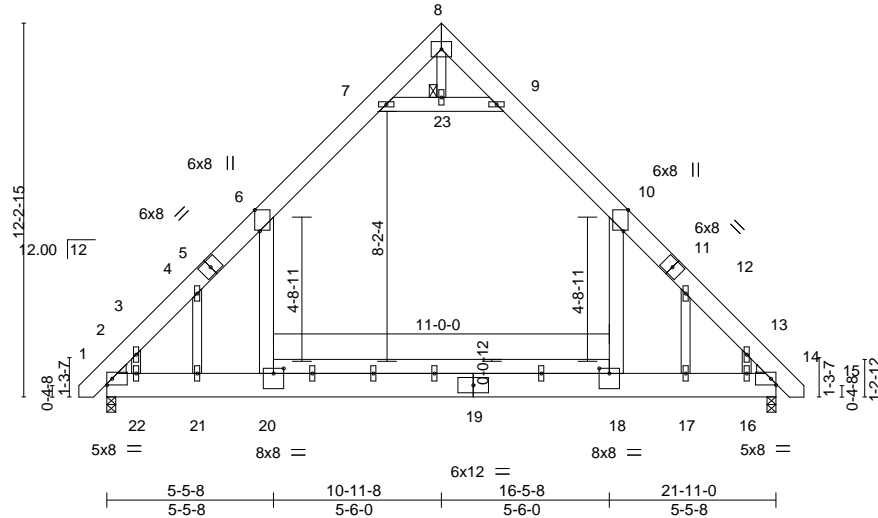


Plate Offsets (X,Y)-- [6:0-8-6,Edge], [10:0-8-6,Edge], [18:0-4-0,0-2-0], [20:0-4-0,0-2-0]

LOADING (psf)	SPACING-	2-0-0	CSI.	DEFL.	in (loc)	l/defl	L/d	PLATES	GRIP
TCLL 20.0	Plate Grip DOL	1.15	TC 0.37	Vert(LL)	-0.14	18-20	>999	MT20	244/190
TCDL 10.0	Lumber DOL	1.15	BC 0.27	Vert(CT)	-0.25	18-20	>999		
BCLL 0.0 *	Rep Stress Incr	YES	WB 0.16	Horz(CT)	0.01	14	n/a		
BCDL 10.0	Code IRC2015/TPI2014		Matrix-S	Wind(LL)	0.07	18-20	>999		
								Weight: 264 lb	FT = 20%

LUMBER-

TOP CHORD 2x8 SP 2400F 2.0E
 BOT CHORD 2x10 SP 2400F 2.0E *Except*
 18-20: 2x6 SP No.1
 WEBS 2x6 SP No.1 *Except*
 8-23: 2x4 SP No.2
 OTHERS 2x4 SP No.2
 WEDGE
 Left: 2x4 SP No.3, Right: 2x4 SP No.3

BRACING-

TOP CHORD Structural wood sheathing directly applied or 6-0-0 oc purlins.
 BOT CHORD Rigid ceiling directly applied or 10-0-0 oc bracing.
 JOINTS 1 Brace at Jt(s): 23

REACTIONS.

(size) 2=0-3-8, 14=0-3-8
 Max Horz 2=349(LC 11)
 Max Grav 2=1443(LC 20), 14=1443(LC 21)

FORCES. (lb) - Max. Comp./Max. Ten. - All forces 250 (lb) or less except when shown.

TOP CHORD 2-3=-1791/0, 3-4=-1571/0, 4-6=-1946/23, 6-7=-1027/184, 7-8=-60/387, 8-9=-61/388,
 9-10=-1027/184, 10-12=-1945/22, 12-13=-1570/0, 13-14=-1791/0
 BOT CHORD 2-22=0/1099, 21-22=0/1108, 20-21=0/1094, 18-20=0/1094, 17-18=0/1094, 16-17=0/1107,
 14-16=0/1093
 WEBS 10-18=0/1177, 6-20=0/1177, 7-23=-1501/323, 9-23=-1501/323, 4-21=-685/135,
 3-22=0/286, 12-17=-685/135, 13-16=0/286

NOTES-

- Unbalanced roof live loads have been considered for this design.
- Wind: ASCE 7-10; Vult=130mph (3-second gust) Vasd=103mph; TCDL=6.0psf; BCDL=6.0psf; h=15ft; Cat. II; Exp C; Enclosed; MWFRS (envelope) gable end zone and C-C Exterior(2) zone; C-C for members and forces & MWFRS for reactions shown; Lumber DOL=1.60 plate grip DOL=1.60
- Truss designed for wind loads in the plane of the truss only. For studs exposed to wind (normal to the face), see Standard Industry Gable End Details as applicable, or consult qualified building designer as per ANSI/TPI 1.
- All plates are 2x6 MT20 unless otherwise indicated.
- Gable studs spaced at 2-0-0 oc.
- This truss has been designed for a 10.0 psf bottom chord live load nonconcurrent with any other live loads.
- * This truss has been designed for a live load of 30.0psf on the bottom chord in all areas where a rectangle 3-6-0 tall by 2-0-0 wide will fit between the bottom chord and any other members.
- Ceiling dead load (10.0 psf) on member(s). 6-7, 9-10, 7-23, 9-23; Wall dead load (5.0psf) on member(s).10-18, 6-20
- Bottom chord live load (40.0 psf) and additional bottom chord dead load (10.0 psf) applied only to room. 18-20
- Attic room checked for L/360 deflection.



April 17, 2020

WARNING - Verify design parameters and READ NOTES ON THIS AND INCLUDED MITEK REFERENCE PAGE MII-7473 rev. 5/19/2020 BEFORE USE.

Design valid for use only with MiTek® connectors. This design is based only upon parameters shown, and is for an individual building component, not a truss system. Before use, the building designer must verify the applicability of design parameters and properly incorporate this design into the overall building design. Bracing indicated is to prevent buckling of individual truss web and/or chord members only. Additional temporary and permanent bracing is always required for stability and to prevent collapse with possible personal injury and property damage. For general guidance regarding the fabrication, storage, delivery, erection and bracing of trusses and truss systems, see **ANSI/TPI1 Quality Criteria, DSB-89 and BCSI Building Component Safety Information** available from Truss Plate Institute, 2670 Crain Highway, Suite 203 Waldorf, MD 20601



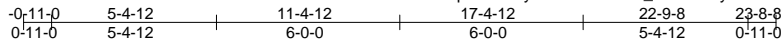
818 Soundside Road
 Edenton, NC 27932

Job J0720-3212	Truss C1	Truss Type COMMON	Qty 2	Ply 1	2631 Darroch Rd. 2-B	E14305187
-------------------	-------------	----------------------	----------	----------	----------------------	-----------

Comtech, Inc., Fayetteville, NC - 28314,

8.330 s Mar 23 2020 MiTek Industries, Inc. Thu Apr 16 14:03:19 2020 Page 1

ID: J6aSr?qB6etazEy6hKRSkZzPTZ_-EuhXA3yKhV62Fn7eOGWLFx10VnbP6kWn9wEnVKzQ766



5x5 =

Scale = 1:75.4

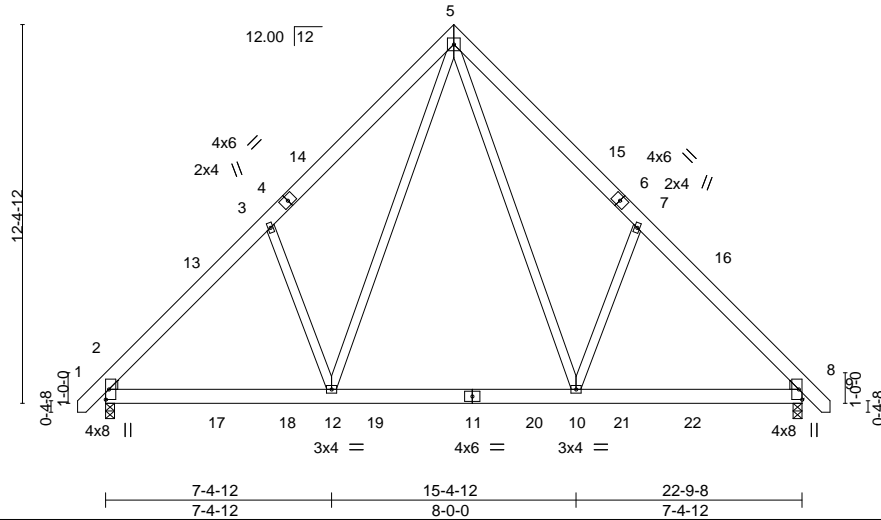


Plate Offsets (X,Y)-- [2:0-0-10,0-0-10], [2:0-1-4,0-3-10], [8:0-0-10,0-0-10], [8:0-1-4,0-3-10]

LOADING (psf)	SPACING-	2-0-0	CSI.	DEFL.	in (loc)	l/defl	L/d	PLATES	GRIP
TCLL 20.0	Plate Grip DOL	1.15	TC 0.20	Vert(LL)	-0.06	10-12	>999	MT20	244/190
TCDL 10.0	Lumber DOL	1.15	BC 0.28	Vert(CT)	-0.09	10-12	>999		
BCLL 0.0 *	Rep Stress Incr	YES	WB 0.60	Horz(CT)	0.01	8	n/a		
BCDL 10.0	Code IRC2015/TPI2014		Matrix-S	Wind(LL)	0.02	2-12	>999		
								Weight: 189 lb	FT = 20%

LUMBER-

TOP CHORD 2x6 SP No.1
 BOT CHORD 2x6 SP No.1
 WEBS 2x4 SP No.2
 WEDGE

Left: 2x4 SP No.3 , Right: 2x4 SP No.3

REACTIONS.

(size) 2=0-3-8, 8=0-3-8
 Max Horz 2=-292(LC 10)
 Max Uplift 2=-39(LC 12), 8=-39(LC 13)
 Max Grav 2=1077(LC 19), 8=1077(LC 20)

FORCES. (lb) - Max. Comp./Max. Ten. - All forces 250 (lb) or less except when shown.

TOP CHORD 2-3=-1230/247, 3-5=-1130/437, 5-7=-1131/437, 7-8=-1230/247
 BOT CHORD 2-12=-100/935, 10-12=-7/613, 8-10=-30/803
 WEBS 5-10=-222/690, 7-10=-419/322, 5-12=-222/690, 3-12=-419/322

NOTES-

- Unbalanced roof live loads have been considered for this design.
- Wind: ASCE 7-10; Vult=130mph (3-second gust) Vasd=103mph; TC DL=6.0psf; BCDL=6.0psf; h=15ft; Cat. II; Exp C; Enclosed; MWFRS (envelope) and C-C Exterior(2) -0-9-6 to 3-7-7, Interior(1) 3-7-7 to 11-4-12, Exterior(2) 11-4-12 to 15-9-9, Interior(1) 15-9-9 to 23-6-14 zone;C-C for members and forces & MWFRS for reactions shown; Lumber DOL=1.60 plate grip DOL=1.60
- This truss has been designed for a 10.0 psf bottom chord live load nonconcurrent with any other live loads.
- * This truss has been designed for a live load of 30.0psf on the bottom chord in all areas where a rectangle 3-6-0 tall by 2-0-0 wide will fit between the bottom chord and any other members, with BCDL = 10.0psf.
- Provide mechanical connection (by others) of truss to bearing plate capable of withstanding 100 lb uplift at joint(s) 2, 8.



April 17, 2020

WARNING - Verify design parameters and READ NOTES ON THIS AND INCLUDED MITEK REFERENCE PAGE MII-7473 rev. 5/19/2020 BEFORE USE.

Design valid for use only with MiTek® connectors. This design is based only upon parameters shown, and is for an individual building component, not a truss system. Before use, the building designer must verify the applicability of design parameters and properly incorporate this design into the overall building design. Bracing indicated is to prevent buckling of individual truss web and/or chord members only. Additional temporary and permanent bracing is always required for stability and to prevent collapse with possible personal injury and property damage. For general guidance regarding the fabrication, storage, delivery, erection and bracing of trusses and truss systems, see **ANSI/TPI1 Quality Criteria, DSB-89 and BCSI Building Component Safety Information** available from Truss Plate Institute, 2670 Crain Highway, Suite 203 Waldorf, MD 20601

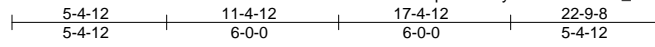


818 Soundside Road
 Edenton, NC 27932

Job J0720-3212	Truss C1-GR	Truss Type Common Girder	Qty 1	Ply 2	2631 Darroch Rd. 2-B Job Reference (optional)	E14305188
-------------------	----------------	-----------------------------	----------	----------	--	-----------

Comtech, Inc., Fayetteville, NC - 28314,

8.330 s Mar 23 2020 MiTek Industries, Inc. Thu Apr 16 14:03:22 2020 Page 1
ID:J6aSr?qB6etazEy6hKRskZzPTZ_-fTNg05_D_Qu6FsD3P42tafX__cyJ1HDruSR6fzQ763



5x8 ||

Scale = 1:80.4

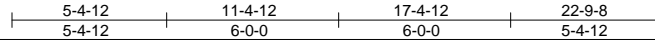
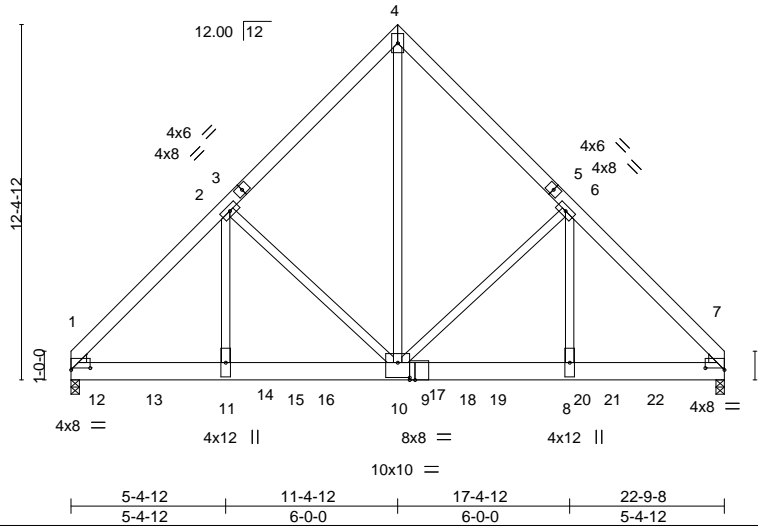


Plate Offsets (X,Y)-- [1:0-8-0,0-0-12], [7:0-8-0,0-0-12], [9:0-2-4,0-0-0], [10:0-5-0,0-6-4]

LOADING (psf)	SPACING-	2-0-0	CSI.	DEFL.	in (loc)	l/defl	L/d	PLATES	GRIP
TCLL 20.0	Plate Grip DOL	1.15	TC 0.25	Vert(LL)	-0.10	8-10	>999	MT20	244/190
TCDL 10.0	Lumber DOL	1.15	BC 0.35	Vert(CT)	-0.17	8-10	>999		
BCLL 0.0 *	Rep Stress Incr	NO	WB 0.85	Horz(CT)	0.03	7	n/a		
BCDL 10.0	Code IRC2015/TPI2014		Matrix-S	Wind(LL)	0.05	10-11	>999		
								Weight: 408 lb	FT = 20%

LUMBER-

TOP CHORD 2x6 SP No.1
 BOT CHORD 2x8 SP 2400F 2.0E
 WEBS 2x4 SP No.2
 WEDGE
 Left: 2x4 SP No.3, Right: 2x4 SP No.3

BRACING-

TOP CHORD Structural wood sheathing directly applied or 5-8-15 oc purlins.
 BOT CHORD Rigid ceiling directly applied or 10-0-0 oc bracing.

REACTIONS.

(size) 1=0-3-8, 7=0-3-8
 Max Horz 1=-282(LC 25)
 Max Uplift 1=-303(LC 9), 7=-320(LC 8)
 Max Grav 1=6995(LC 2), 7=7800(LC 2)

FORCES. (lb) - Max. Comp./Max. Ten. - All forces 250 (lb) or less except when shown.

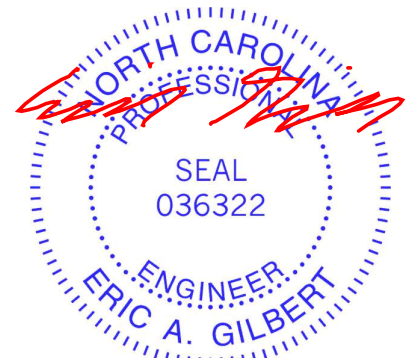
TOP CHORD 1-2=-7595/375, 2-4=-5227/373, 4-6=-5226/373, 6-7=-8143/377
 BOT CHORD 1-11=-290/5071, 10-11=-290/5080, 8-10=-185/5449, 7-8=-185/5438
 WEBS 4-10=-386/6942, 6-10=-2501/291, 6-8=-81/3776, 2-10=-2039/287, 2-11=-76/3015

NOTES-

- 2-ply truss to be connected together with 10d (0.131"x3") nails as follows:
 Top chords connected as follows: 2x6 - 2 rows staggered at 0-9-0 oc.
 Bottom chords connected as follows: 2x8 - 2 rows staggered at 0-7-0 oc.
 Webs connected as follows: 2x4 - 1 row at 0-9-0 oc.
- All loads are considered equally applied to all plies, except if noted as front (F) or back (B) face in the LOAD CASE(S) section. Ply to ply connections have been provided to distribute only loads noted as (F) or (B), unless otherwise indicated.
- Unbalanced roof live loads have been considered for this design.
- Wind: ASCE 7-10; Vult=130mph (3-second gust) Vasd=103mph; TCDL=6.0psf; BCDL=6.0psf; h=15ft; Cat. II; Exp C; Enclosed; MWFRS (envelope); Lumber DOL=1.60 plate grip DOL=1.60
- This truss has been designed for a 10.0 psf bottom chord live load nonconcurrent with any other live loads.
- * This truss has been designed for a live load of 30.0psf on the bottom chord in all areas where a rectangle 3-6-0 tall by 2-0-0 wide will fit between the bottom chord and any other members.
- Provide mechanical connection (by others) of truss to bearing plate capable of withstanding 100 lb uplift at joint(s) except (jt=lb) 1=303, 7=320.
- Hanger(s) or other connection device(s) shall be provided sufficient to support concentrated load(s) 1002 lb down and 52 lb up at 0-10-4, 999 lb down and 55 lb up at 2-10-4, 999 lb down and 55 lb up at 4-10-4, 999 lb down and 55 lb up at 6-10-4, 999 lb down and 55 lb up at 8-10-4, 1243 lb down and 55 lb up at 10-10-4, 1243 lb down and 55 lb up at 12-10-4, 1243 lb down and 55 lb up at 14-10-4, 1243 lb down and 55 lb up at 16-10-4, 1243 lb down and 55 lb up at 18-10-4, and 999 lb down and 55 lb up at 20-4-4, and 1006 lb down and 48 lb up at 22-7-12 on bottom chord. The design/selection of such connection device(s) is the responsibility of others.

LOAD CASE(S) Standard

Continued on page 2



April 17, 2020

WARNING - Verify design parameters and READ NOTES ON THIS AND INCLUDED MITEK REFERENCE PAGE MII-7473 rev. 5/19/2020 BEFORE USE.

Design valid for use only with MiTek® connectors. This design is based only upon parameters shown, and is for an individual building component, not a truss system. Before use, the building designer must verify the applicability of design parameters and properly incorporate this design into the overall building design. Bracing indicated is to prevent buckling of individual truss web and/or chord members only. Additional temporary and permanent bracing is always required for stability and to prevent collapse with possible personal injury and property damage. For general guidance regarding the fabrication, storage, delivery, erection and bracing of trusses and truss systems, see **ANSI/TPI1 Quality Criteria, DSB-89 and BCSI Building Component Safety Information** available from Truss Plate Institute, 2670 Crain Highway, Suite 203 Waldorf, MD 20601



818 Soundside Road
 Edenton, NC 27932

Job J0720-3212	Truss C1-GR	Truss Type Common Girder	Qty 1	Ply 2	2631 Darroch Rd. 2-B Job Reference (optional)	E14305188
-------------------	----------------	-----------------------------	----------	-----------------	--	-----------

Comtech, Inc, Fayetteville, NC - 28314,

8.330 s Mar 23 2020 MiTek Industries, Inc. Thu Apr 16 14:03:22 2020 Page 2
ID:J6aSr?qB6etazEy6hKRskZzPTZ_-fTNg05_D_Qu6FsD3P42tafX__cyJ1HDruSR6fzQ763

LOAD CASE(S) Standard

1) Dead + Roof Live (balanced): Lumber Increase=1.15, Plate Increase=1.15

Uniform Loads (plf)

Vert: 1-4=-60, 4-7=-60, 1-7=-20

Concentrated Loads (lb)

Vert: 7=-976(B) 12=-972(B) 13=-969(B) 14=-969(B) 15=-969(B) 16=-969(B) 17=-969(B) 18=-969(B) 19=-969(B) 20=-969(B) 21=-969(B) 22=-969(B)

WARNING - Verify design parameters and READ NOTES ON THIS AND INCLUDED MITEK REFERENCE PAGE MII-7473 rev. 5/19/2020 BEFORE USE.

Design valid for use only with MiTek® connectors. This design is based only upon parameters shown, and is for an individual building component, not a truss system. Before use, the building designer must verify the applicability of design parameters and properly incorporate this design into the overall building design. Bracing indicated is to prevent buckling of individual truss web and/or chord members only. Additional temporary and permanent bracing is always required for stability and to prevent collapse with possible personal injury and property damage. For general guidance regarding the fabrication, storage, delivery, erection and bracing of trusses and truss systems, see **ANSI/TPI1 Quality Criteria, DSB-89 and BCSI Building Component Safety Information** available from Truss Plate Institute, 2670 Crain Highway, Suite 203 Waldorf, MD 20601

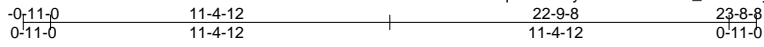


818 Soundside Road
Edenton, NC 27932

Job J0720-3212	Truss C1GE	Truss Type COMMON SUPPORTED GAB	Qty 1	Ply 1	2631 Darroch Rd. 2-B	E14305189
-------------------	---------------	------------------------------------	----------	----------	----------------------	-----------

Comtech, Inc., Fayetteville, NC - 28314,

8.330 s Mar 23 2020 MiTek Industries, Inc. Thu Apr 16 14:03:20 2020 Page 1
ID:J6aSr?qB6etazEy6hKRskZzPTZ_-i4FvNPyySoEvtxiqy_2an9aEYB?PrHtwOazL1nzQ765



Scale = 1:77.4

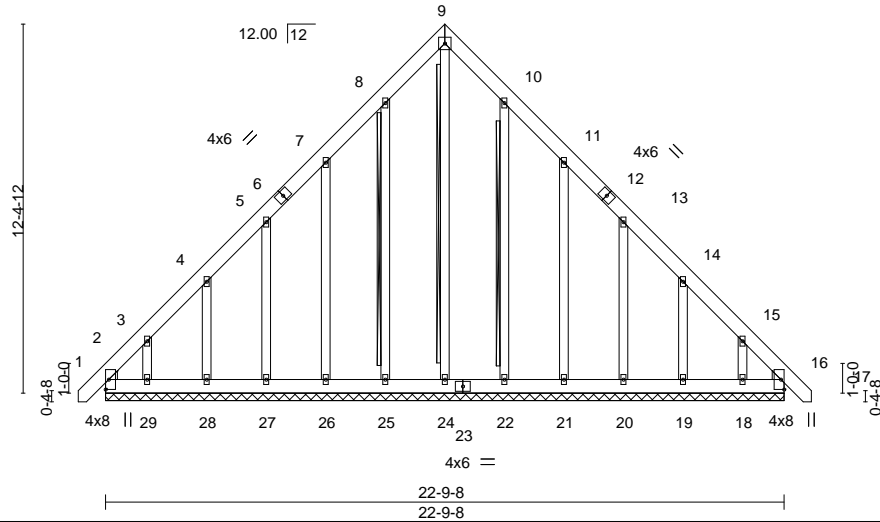


Plate Offsets (X,Y)-- [2:0-0-10,0-0-10], [2:0-1-4,0-3-10], [16:0-0-10,0-0-10], [16:0-1-4,0-3-10]

LOADING (psf)	SPACING-	2-0-0	CSI.	DEFL.	in (loc)	l/defl	L/d	PLATES	GRIP
TCLL 20.0	Plate Grip DOL	1.15	TC 0.05	Vert(LL)	-0.00	16	n/r	MT20	244/190
TCDL 10.0	Lumber DOL	1.15	BC 0.04	Vert(CT)	0.00	16	n/r		
BCLL 0.0 *	Rep Stress Incr	YES	WB 0.21	Horz(CT)	0.01	16	n/a		
BCDL 10.0	Code IRC2015/TPI2014		Matrix-S						
								Weight: 234 lb	FT = 20%

LUMBER-

TOP CHORD 2x6 SP No.1
BOT CHORD 2x6 SP No.1
OTHERS 2x4 SP No.2
WEDGE
Left: 2x4 SP No.3, Right: 2x4 SP No.3

BRACING-

TOP CHORD Structural wood sheathing directly applied or 6-0-0 oc purlins.
BOT CHORD Rigid ceiling directly applied or 10-0-0 oc bracing.
WEBS T-Brace: 2x4 SPF No.2 - 9-24, 8-25, 10-22
Fasten (2X) T and I braces to narrow edge of web with 10d (0.131"x3") nails, 6in o.c., with 3in minimum end distance.
Brace must cover 90% of web length.

REACTIONS.

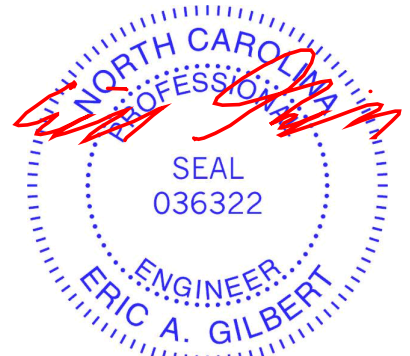
All bearings 22-9-8.
(lb) - Max Horz 2=-365(LC 10)
Max Uplift All uplift 100 lb or less at joint(s) 25, 22 except 2=-191(LC 10), 26=-155(LC 12), 27=-138(LC 12), 28=-145(LC 12), 29=-231(LC 12), 21=-158(LC 13), 20=-138(LC 13), 19=-144(LC 13), 18=-221(LC 13), 16=-123(LC 11)
Max Grav All reactions 250 lb or less at joint(s) 24, 25, 26, 27, 28, 29, 22, 21, 20, 19, 18 except 2=407(LC 12), 16=362(LC 13)

FORCES. (lb) - Max. Comp./Max. Ten. - All forces 250 (lb) or less except when shown.

TOP CHORD 2-3=-551/329, 3-4=-364/240, 14-15=-314/194, 15-16=-495/333
BOT CHORD 2-29=-234/358, 28-29=-235/359, 27-28=-236/359, 26-27=-237/359, 25-26=-237/359, 24-25=-237/359, 22-24=-237/359, 21-22=-237/359, 20-21=-237/359, 19-20=-236/358, 18-19=-235/358, 16-18=-234/356

NOTES-

- Unbalanced roof live loads have been considered for this design.
- Wind: ASCE 7-10; Vult=130mph (3-second gust) Vasd=103mph; TC DL=6.0psf; BCDL=6.0psf; h=15ft; Cat. II; Exp C; Enclosed; MWFRS (envelope) gable end zone and C-C Exterior(2) zone; C-C for members and forces & MWFRS for reactions shown; Lumber DOL=1.60 plate grip DOL=1.60
- Truss designed for wind loads in the plane of the truss only. For studs exposed to wind (normal to the face), see Standard Industry Gable End Details as applicable, or consult qualified building designer as per ANSI/TPI 1.
- All plates are 2x4 MT20 unless otherwise indicated.
- Gable requires continuous bottom chord bearing.
- Gable studs spaced at 2-0-0 oc.
- This truss has been designed for a 10.0 psf bottom chord live load nonconcurrent with any other live loads.
- * This truss has been designed for a live load of 30.0psf on the bottom chord in all areas where a rectangle 3-6-0 tall by 2-0-0 wide will fit between the bottom chord and any other members.
- Provide mechanical connection (by others) of truss to bearing plate capable of withstanding 100 lb uplift at joint(s) 25, 22 except (jt=lb) 2=191, 26=155, 27=138, 28=145, 29=231, 21=158, 20=138, 19=144, 18=221, 16=123.
- Warning: Additional permanent and stability bracing for truss system (not part of this component design) is always required.



April 17, 2020

WARNING - Verify design parameters and READ NOTES ON THIS AND INCLUDED MITEK REFERENCE PAGE MII-7473 rev. 5/19/2020 BEFORE USE.

Design valid for use only with MiTek® connectors. This design is based only upon parameters shown, and is for an individual building component, not a truss system. Before use, the building designer must verify the applicability of design parameters and properly incorporate this design into the overall building design. Bracing indicated is to prevent buckling of individual truss web and/or chord members only. Additional temporary and permanent bracing is always required for stability and to prevent collapse with possible personal injury and property damage. For general guidance regarding the fabrication, storage, delivery, erection and bracing of trusses and truss systems, see **ANSI/TPI Quality Criteria, DSB-89 and BCSI Building Component Safety Information** available from Truss Plate Institute, 2670 Crain Highway, Suite 203 Waldorf, MD 20601

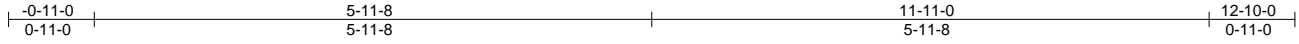


818 Soundside Road
Edenton, NC 27932

Job J0720-3212	Truss D1	Truss Type COMMON	Qty 5	Ply 1	2631 Darroch Rd. 2-B	E14305190
-------------------	-------------	----------------------	----------	----------	----------------------	-----------

Comtech, Inc., Fayetteville, NC - 28314,

8.330 s Mar 23 2020 MiTek Industries, Inc. Thu Apr 16 14:03:23 2020 Page 1
ID:J6aSr?qB6etazEy6hKRSkZzPTZ_-7fx2?R?rjUkPRPd6bHPnCc9O_c2hrM4YC?e5zQ762



Scale = 1:24.6

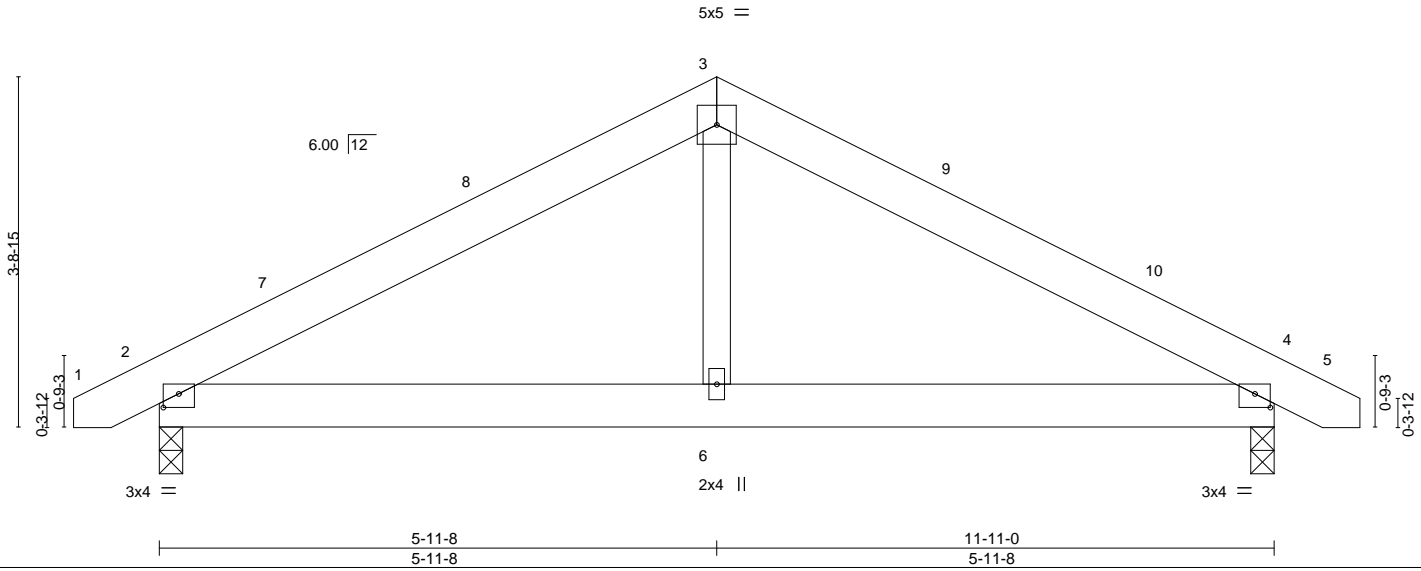


Plate Offsets (X,Y)--	[2:0-2-0,0-1-12], [4:0-2-0,0-1-12]
-----------------------	------------------------------------

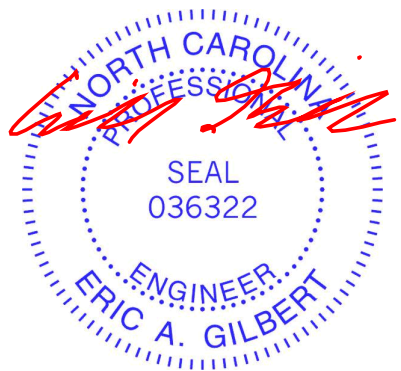
LOADING (psf)	SPACING-	CSI.	DEFL.	in (loc)	l/defl	L/d	PLATES	GRIP
TCLL 20.0	Plate Grip DOL 1.15	TC 0.16	Vert(LL) 0.02	2-6	>999	240	MT20	244/190
TCDL 10.0	Lumber DOL 1.15	BC 0.13	Vert(CT) -0.02	2-6	>999	240		
BCLL 0.0 *	Rep Stress Incr YES	WB 0.06	Horz(CT) 0.01	4	n/a	n/a		
BCDL 10.0	Code IRC2015/TPI2014	Matrix-S					Weight: 69 lb	FT = 20%

LUMBER-	BRACING-
TOP CHORD 2x6 SP No.1	TOP CHORD Structural wood sheathing directly applied or 6-0-0 oc purlins.
BOT CHORD 2x6 SP No.1	BOT CHORD Rigid ceiling directly applied or 10-0-0 oc bracing.
WEBS 2x4 SP No.2	

REACTIONS. (size) 2=0-3-0, 4=0-3-0
 Max Horz 2=43(LC 11)
 Max Uplift 2=-106(LC 9), 4=-106(LC 8)
 Max Grav 2=517(LC 1), 4=517(LC 1)

FORCES. (lb) - Max. Comp./Max. Ten. - All forces 250 (lb) or less except when shown.
 TOP CHORD 2-3=-626/654, 3-4=-626/654
 BOT CHORD 2-6=-466/475, 4-6=-466/475
 WEBS 3-6=-364/279

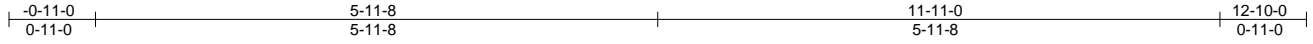
- NOTES-**
- Unbalanced roof live loads have been considered for this design.
 - Wind: ASCE 7-10; Vult=130mph (3-second gust) Vasd=103mph; TC DL=6.0psf; BCDL=6.0psf; h=15ft; Cat. II; Exp C; Enclosed; MWFRS (envelope) and C-C Exterior(2) -0-8-10 to 3-8-3, Interior(1) 3-8-3 to 5-11-8, Exterior(2) 5-11-8 to 10-4-5, Interior(1) 10-4-5 to 12-7-10 zone; porch left and right exposed; C-C for members and forces & MWFRS for reactions shown; Lumber DOL=1.60 plate grip DOL=1.60
 - This truss has been designed for a 10.0 psf bottom chord live load nonconcurrent with any other live loads.
 - * This truss has been designed for a live load of 30.0psf on the bottom chord in all areas where a rectangle 3-6-0 tall by 2-0-0 wide will fit between the bottom chord and any other members.
 - Provide mechanical connection (by others) of truss to bearing plate capable of withstanding 100 lb uplift at joint(s) except (jt=lb) 2=106, 4=106.



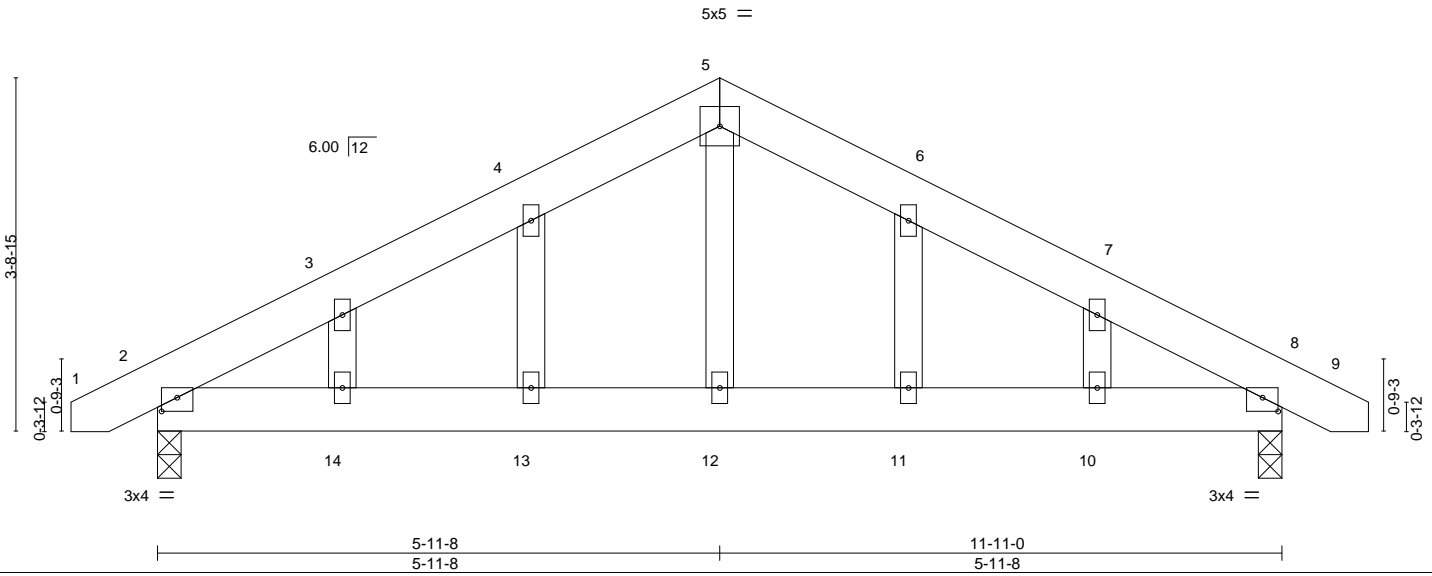
April 17, 2020

Job J0720-3212	Truss D1GE	Truss Type GABLE	Qty 1	Ply 1	2631 Darroch Rd. 2-B	E14305191
Comtech, Inc., Fayetteville, NC - 28314,					Job Reference (optional)	

8.330 s Mar 23 2020 MiTek Industries, Inc. Thu Apr 16 14:03:24 2020 Page 1
 ID: J6aSr?qB6etazEy6hKRskZzPTZ_-bsVQDn0TW1IKMY0cBq6Wy?kwWoKkn85WJcyYAYzQ761



Scale = 1:24.4



LOADING (psf)	SPACING-	CSI.	DEFL.	PLATES	GRIP
TCLL 20.0	2-0-0	TC 0.12	in (loc) l/defl L/d	MT20	244/190
TCDL 10.0	Plate Grip DOL 1.15	BC 0.14	Vert(LL) -0.01 13-14 >999 360		
BCLL 0.0 *	Lumber DOL 1.15	WB 0.06	Vert(CT) -0.02 13-14 >999 240		
BCDL 10.0	Rep Stress Incr YES	Matrix-S	Horz(CT) 0.01 8 n/a n/a		
	Code IRC2015/TPI2014		Wind(LL) 0.02 10-11 >999 240	Weight: 77 lb	FT = 20%

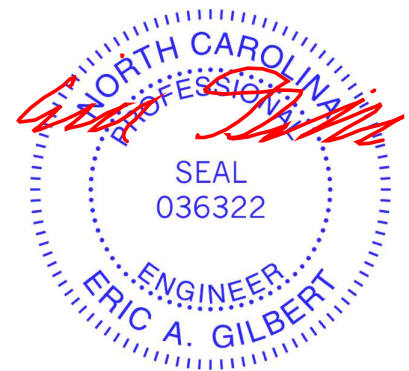
LUMBER-
 TOP CHORD 2x6 SP No.1
 BOT CHORD 2x6 SP No.1
 WEBS 2x4 SP No.2
 OTHERS 2x4 SP No.2

BRACING-
 TOP CHORD Structural wood sheathing directly applied or 6-0-0 oc purlins.
 BOT CHORD Rigid ceiling directly applied or 10-0-0 oc bracing.

REACTIONS. (size) 2=0-3-0, 8=0-3-0
 Max Horz 2=68(LC 12)
 Max Uplift 2=-137(LC 9), 8=-137(LC 8)
 Max Grav 2=517(LC 1), 8=517(LC 1)

FORCES. (lb) - Max. Comp./Max. Ten. - All forces 250 (lb) or less except when shown.
 TOP CHORD 2-3=-623/674, 3-4=-555/669, 4-5=-530/694, 5-6=-530/694, 6-7=-555/669, 7-8=-623/674
 BOT CHORD 2-14=-490/476, 13-14=-490/476, 12-13=-490/476, 11-12=-490/476, 10-11=-490/476,
 8-10=-490/476
 WEBS 5-12=-372/227

- NOTES-**
- Unbalanced roof live loads have been considered for this design.
 - Wind: ASCE 7-10; Vult=130mph (3-second gust) Vasd=103mph; TC DL=6.0psf; BCDL=6.0psf; h=15ft; Cat. II; Exp C; Enclosed; MWFRS (envelope) gable end zone and C-C Exterior(2) zone; porch left and right exposed; C-C for members and forces & MWFRS for reactions shown; Lumber DOL=1.60 plate grip DOL=1.60
 - Truss designed for wind loads in the plane of the truss only. For studs exposed to wind (normal to the face), see Standard Industry Gable End Details as applicable, or consult qualified building designer as per ANSI/TPI 1.
 - All plates are 2x4 MT20 unless otherwise indicated.
 - Gable studs spaced at 2-0-0 oc.
 - This truss has been designed for a 10.0 psf bottom chord live load nonconcurrent with any other live loads.
 - * This truss has been designed for a live load of 30.0psf on the bottom chord in all areas where a rectangle 3-6-0 tall by 2-0-0 wide will fit between the bottom chord and any other members.
 - Provide mechanical connection (by others) of truss to bearing plate capable of withstanding 100 lb uplift at joint(s) except (jt=lb) 2=137, 8=137.



April 17, 2020

Job J0720-3212	Truss M1	Truss Type MONOPITCH	Qty 11	Ply 1	2631 Darroch Rd. 2-B	E14305192
-------------------	-------------	-------------------------	-----------	----------	----------------------	-----------

Comtech, Inc., Fayetteville, NC - 28314,

8.330 s Mar 23 2020 MiTek Industries, Inc. Thu Apr 16 14:03:24 2020 Page 1

ID:J6aSr?qB6etazEy6hKRSkZzPTZ_-bsVQDn0TW1IKMY0cBq6WY?kuOoL_n84WJCyYAYzQ761

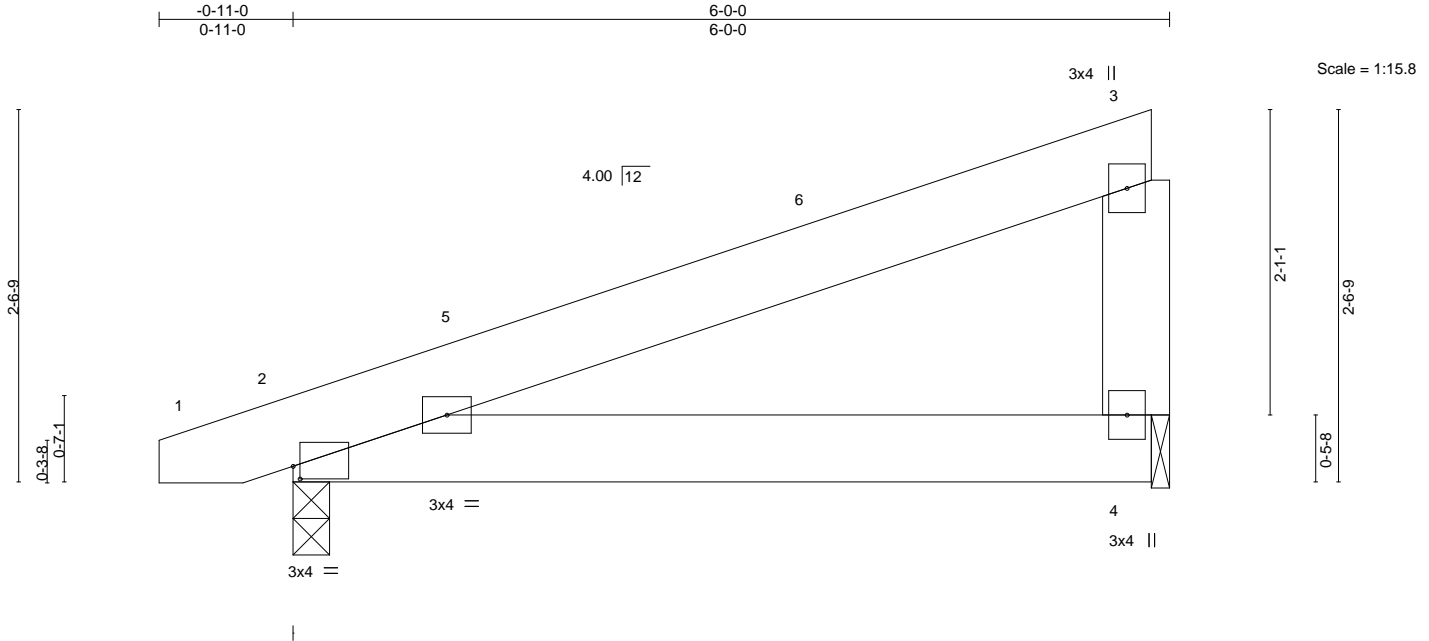


Plate Offsets (X,Y)-- [2:0-0-9,0-1-1]

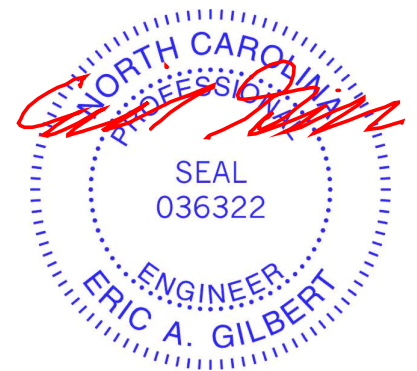
LOADING (psf)	SPACING-	CSI.	DEFL.	in (loc)	l/defl	L/d	PLATES	GRIP
TCLL 20.0	Plate Grip DOL 1.15	TC 0.19	Vert(LL) -0.01	2-4	>999	360	MT20	244/190
TCDL 10.0	Lumber DOL 1.15	BC 0.12	Vert(CT) -0.03	2-4	>999	240		
BCLL 0.0 *	Rep Stress Incr YES	WB 0.00	Horz(CT) 0.00		n/a	n/a		
BCDL 10.0	Code IRC2015/TPI2014	Matrix-P	Wind(LL) 0.03	2-4	>999	240	Weight: 34 lb	FT = 20%

LUMBER-	BRACING-
TOP CHORD 2x6 SP No.1	TOP CHORD Structural wood sheathing directly applied or 6-0-0 oc purlins, except end verticals.
BOT CHORD 2x6 SP No.1	BOT CHORD Rigid ceiling directly applied or 10-0-0 oc bracing.
WEBS 2x6 SP No.1	

REACTIONS. (size) 2=0-3-0, 4=0-1-8
 Max Horz 2=71(LC 8)
 Max Uplift 2=-104(LC 8), 4=-97(LC 8)
 Max Grav 2=274(LC 1), 4=223(LC 1)

FORCES. (lb) - Max. Comp./Max. Ten. - All forces 250 (lb) or less except when shown.

- NOTES-**
- 1) Wind: ASCE 7-10; Vult=130mph (3-second gust) Vasd=103mph; TCDL=6.0psf; BCDL=6.0psf; h=15ft; Cat. II; Exp C; Enclosed; MWFRS (envelope) and C-C Exterior(2) -0-7-9 to 3-9-4, Interior(1) 3-9-4 to 5-9-4 zone; porch left exposed; C-C for members and forces & MWFRS for reactions shown; Lumber DOL=1.60 plate grip DOL=1.60
 - 2) This truss has been designed for a 10.0 psf bottom chord live load nonconcurrent with any other live loads.
 - 3) * This truss has been designed for a live load of 30.0psf on the bottom chord in all areas where a rectangle 3-6-0 tall by 2-0-0 wide will fit between the bottom chord and any other members.
 - 4) Bearing at joint(s) 4 considers parallel to grain value using ANSI/TPI 1 angle to grain formula. Building designer should verify capacity of bearing surface.
 - 5) Provide mechanical connection (by others) of truss to bearing plate at joint(s) 4.
 - 6) Provide mechanical connection (by others) of truss to bearing plate capable of withstanding 100 lb uplift at joint(s) 4 except (jt=lb) 2=104.

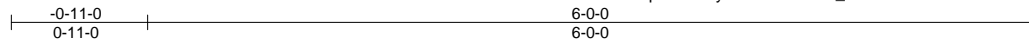


April 17, 2020

Job J0720-3212	Truss M1GE	Truss Type GABLE	Qty 1	Ply 1	2631 Darroch Rd. 2-B	E14305193
Comtech, Inc., Fayetteville, NC - 28314,					Job Reference (optional)	

8.330 s Mar 23 2020 MiTek Industries, Inc. Thu Apr 16 14:03:25 2020 Page 1

ID:J6aSr?qB6etazEy6hKRSkZzPTZ_-323oQ705HLBzibolXdlUCH4bChfWb6fYsh6i_zQ760



Scale = 1:15.5

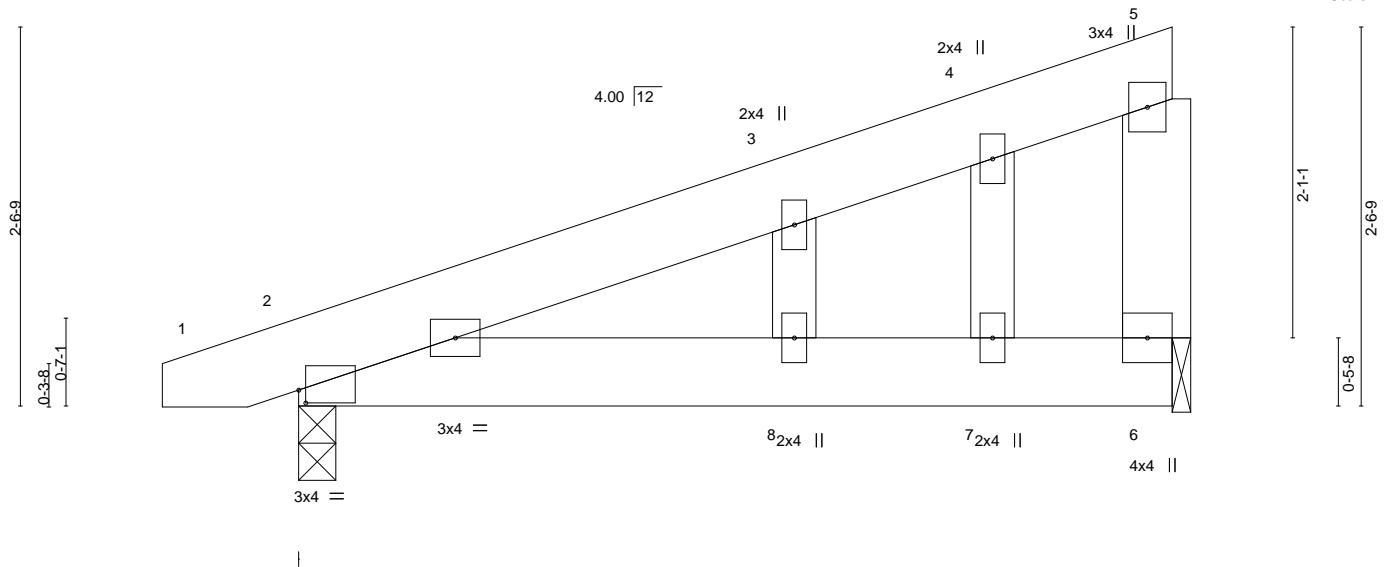


Plate Offsets (X,Y)-- [2:0-0-9,0-1-1]

LOADING (psf)	SPACING-	CSI.	DEFL.	in (loc)	l/defl	L/d	PLATES	GRIP
TCLL 20.0	Plate Grip DOL 1.15	TC 0.09	Vert(LL) 0.02	2-8	>999	240	MT20	244/190
TCDL 10.0	Lumber DOL 1.15	BC 0.10	Vert(CT) -0.02	8	>999	240		
BCLL 0.0 *	Rep Stress Incr YES	WB 0.01	Horz(CT) -0.00	6	n/a	n/a		
BCDL 10.0	Code IRC2015/TPI2014	Matrix-S					Weight: 37 lb	FT = 20%

LUMBER-
 TOP CHORD 2x6 SP No.1
 BOT CHORD 2x6 SP No.1
 WEBS 2x6 SP No.1
 OTHERS 2x4 SP No.2

BRACING-
 TOP CHORD Structural wood sheathing directly applied or 6-0-0 oc purlins, except end verticals.
 BOT CHORD Rigid ceiling directly applied or 10-0-0 oc bracing.

REACTIONS. (size) 2=0-3-0, 6=0-1-8
 Max Horz 2=101(LC 8)
 Max Uplift 2=151(LC 8), 6=142(LC 8)
 Max Grav 2=274(LC 1), 6=223(LC 1)

FORCES. (lb) - Max. Comp./Max. Ten. - All forces 250 (lb) or less except when shown.

- NOTES-**
- 1) Wind: ASCE 7-10; Vult=130mph (3-second gust) Vasd=103mph; TCCL=6.0psf; BCDL=6.0psf; h=15ft; Cat. II; Exp C; Enclosed; MWFRS (envelope) gable end zone and C-C Exterior(2) zone; porch left exposed;C-C for members and forces & MWFRS for reactions shown; Lumber DOL=1.60 plate grip DOL=1.60
 - 2) Truss designed for wind loads in the plane of the truss only. For studs exposed to wind (normal to the face), see Standard Industry Gable End Details as applicable, or consult qualified building designer as per ANSI/TPI 1.
 - 3) Gable studs spaced at 1-4-0 oc.
 - 4) This truss has been designed for a 10.0 psf bottom chord live load nonconcurrent with any other live loads.
 - 5) * This truss has been designed for a live load of 30.0psf on the bottom chord in all areas where a rectangle 3-6-0 tall by 2-0-0 wide will fit between the bottom chord and any other members.
 - 6) Bearing at joint(s) 6 considers parallel to grain value using ANSI/TPI 1 angle to grain formula. Building designer should verify capacity of bearing surface.
 - 7) Provide mechanical connection (by others) of truss to bearing plate at joint(s) 6.
 - 8) Provide mechanical connection (by others) of truss to bearing plate capable of withstanding 100 lb uplift at joint(s) except (jt=lb) 2=151, 6=142.



April 17, 2020

WARNING - Verify design parameters and READ NOTES ON THIS AND INCLUDED MITEK REFERENCE PAGE MII-7473 rev. 5/19/2020 BEFORE USE.

Design valid for use only with MiTek® connectors. This design is based only upon parameters shown, and is for an individual building component, not a truss system. Before use, the building designer must verify the applicability of design parameters and properly incorporate this design into the overall building design. Bracing indicated is to prevent buckling of individual truss web and/or chord members only. Additional temporary and permanent bracing is always required for stability and to prevent collapse with possible personal injury and property damage. For general guidance regarding the fabrication, storage, delivery, erection and bracing of trusses and truss systems, see **ANSI/TPI1 Quality Criteria, DSB-89 and BCSI Building Component Safety Information** available from Truss Plate Institute, 2670 Crain Highway, Suite 203 Waldorf, MD 20601

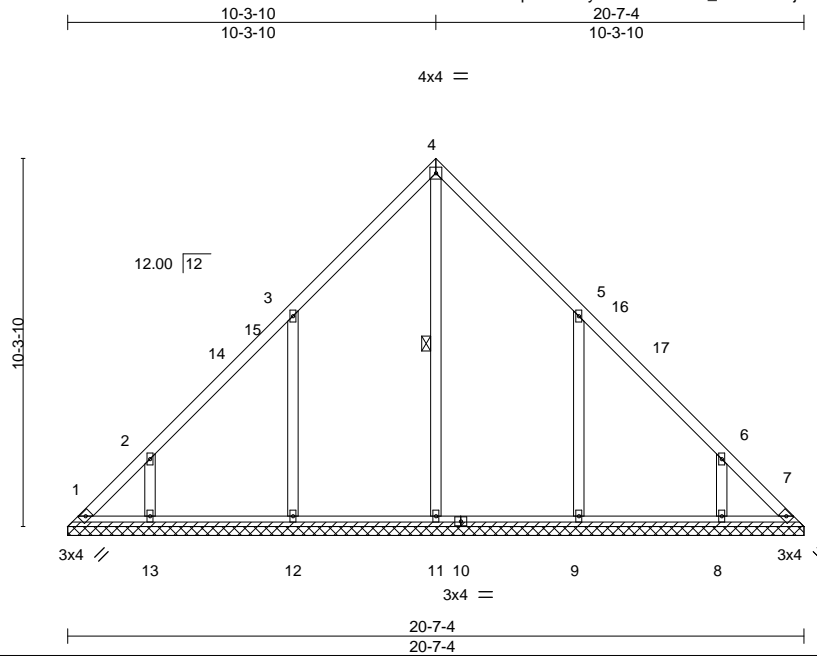


818 Soundside Road
 Edenton, NC 27932

Job J0720-3212	Truss V1	Truss Type VALLEY	Qty 1	Ply 1	2631 Darroch Rd. 2-B	E14305194
-------------------	-------------	----------------------	----------	----------	----------------------	-----------

Comtech, Inc., Fayetteville, NC - 28314,

8.330 s Mar 23 2020 MiTek Industries, Inc. Thu Apr 16 14:03:26 2020 Page 1
ID:J6aSr?qB6etazEy6hKRskZzPTZ_-XEcBeT1j2e?2bs9_IE9_1QqEHc0TF?lpmWRfFQzQ76?



Scale: 3/16"=1'

Plate Offsets (X,Y)-- [5:0-0-0,0-0-0], [6:0-0-0,0-0-0]

LOADING (psf)	SPACING-	CSI.	DEFL.	in (loc)	l/defl	L/d	PLATES	GRIP
TCLL 20.0	2-0-0	TC 0.16	Vert(LL)	n/a	-	n/a	MT20	244/190
TCDL 10.0	Plate Grip DOL 1.15	BC 0.19	Vert(CT)	n/a	-	n/a		
BCLL 0.0 *	Lumber DOL 1.15	WB 0.24	Horz(CT)	0.01	7	n/a		
BCDL 10.0	Rep Stress Incr YES	Matrix-S						
	Code IRC2015/TPI2014						Weight: 109 lb	FT = 20%

LUMBER-

TOP CHORD 2x4 SP No.1
BOT CHORD 2x4 SP No.1
OTHERS 2x4 SP No.2

BRACING-

TOP CHORD Structural wood sheathing directly applied or 6-0-0 oc purlins.
BOT CHORD Rigid ceiling directly applied or 10-0-0 oc bracing.
WEBS 1 Row at midpt 4-11

REACTIONS.

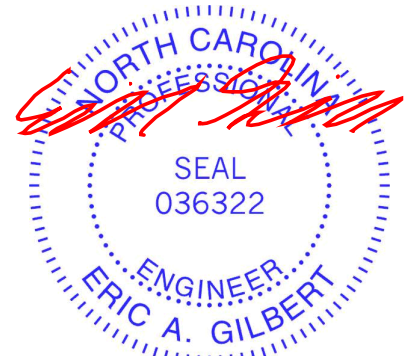
All bearings 20-7-4.
(lb) - Max Horz 1=-239(LC 8)
Max Uplift All uplift 100 lb or less at joint(s) 7 except 1=-104(LC 10), 12=-184(LC 12), 13=-136(LC 12),
9=-184(LC 13), 8=-136(LC 13)
Max Grav All reactions 250 lb or less at joint(s) 1, 7 except 11=440(LC 22), 12=489(LC 19), 13=291(LC 19),
9=489(LC 20), 8=292(LC 20)

FORCES. (lb) - Max. Comp./Max. Ten. - All forces 250 (lb) or less except when shown.

TOP CHORD 1-2=-265/218
WEBS 3-12=-406/309, 2-13=-311/256, 5-9=-406/309, 6-8=-311/256

NOTES-

- Unbalanced roof live loads have been considered for this design.
- Wind: ASCE 7-10; Vult=130mph (3-second gust) Vasd=103mph; TCCL=6.0psf; BCDL=6.0psf; h=15ft; Cat. II; Exp C; Enclosed; MWFRS (envelope) and C-C Exterior(2) 0-4-4 to 4-9-0, Interior(1) 4-9-0 to 10-3-10, Exterior(2) 10-3-10 to 14-8-7, Interior(1) 14-8-7 to 20-3-0 zone; C-C for members and forces & MWFRS for reactions shown; Lumber DOL=1.60 plate grip DOL=1.60
- All plates are 2x4 MT20 unless otherwise indicated.
- Gable requires continuous bottom chord bearing.
- This truss has been designed for a 10.0 psf bottom chord live load nonconcurrent with any other live loads.
- * This truss has been designed for a live load of 30.0psf on the bottom chord in all areas where a rectangle 3-6-0 tall by 2-0-0 wide will fit between the bottom chord and any other members, with BCDL = 10.0psf.
- Provide mechanical connection (by others) of truss to bearing plate capable of withstanding 100 lb uplift at joint(s) 7 except (jt=lb) 1=104, 12=184, 13=136, 9=184, 8=136.



April 17, 2020

WARNING - Verify design parameters and READ NOTES ON THIS AND INCLUDED MITEK REFERENCE PAGE MII-7473 rev. 5/19/2020 BEFORE USE.

Design valid for use only with MiTek® connectors. This design is based only upon parameters shown, and is for an individual building component, not a truss system. Before use, the building designer must verify the applicability of design parameters and properly incorporate this design into the overall building design. Bracing indicated is to prevent buckling of individual truss web and/or chord members only. Additional temporary and permanent bracing is always required for stability and to prevent collapse with possible personal injury and property damage. For general guidance regarding the fabrication, storage, delivery, erection and bracing of trusses and truss systems, see **ANSI/TPI1 Quality Criteria, DSB-89 and BCSI Building Component Safety Information** available from Truss Plate Institute, 2670 Crain Highway, Suite 203 Waldorf, MD 20601



818 Soundside Road
Edenton, NC 27932

Job J0720-3212	Truss V2	Truss Type VALLEY	Qty 1	Ply 1	2631 Darroch Rd. 2-B	E14305195
-------------------	-------------	----------------------	----------	----------	----------------------	-----------

Comtech, Inc., Fayetteville, NC - 28314,

8.330 s Mar 23 2020 MiTek Industries, Inc. Thu Apr 16 14:03:27 2020 Page 1
ID:J6aSr?qB6etazEy6hKRskZzPTZ_-?RAZro2Lpy7vD0kAsygDadMPg?MI_STy?AACntzQ76_

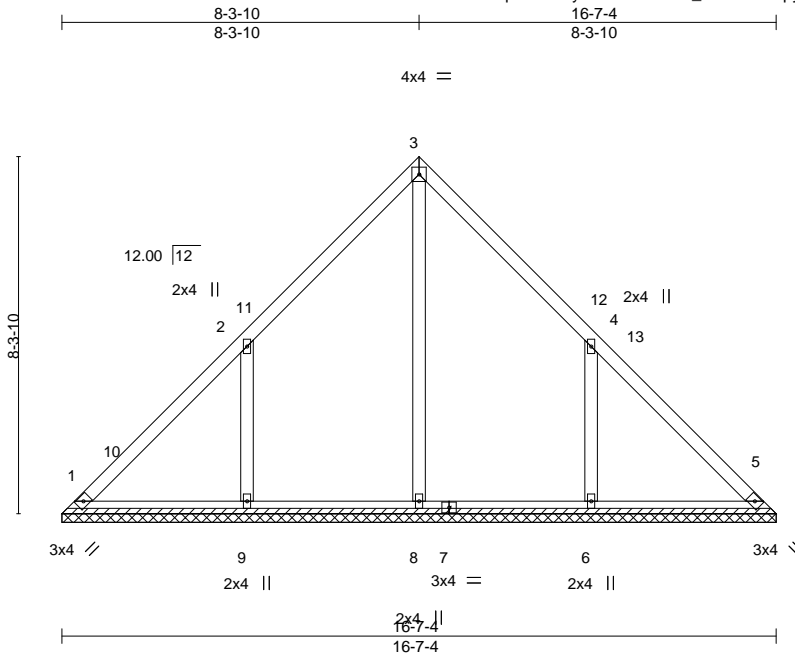


Plate Offsets (X,Y)-- [4:0-0-0,0-0-0]

LOADING (psf)	SPACING-	CSI.	DEFL.	in (loc)	l/defl	L/d	PLATES	GRIP
TCLL 20.0	2-0-0	TC 0.19	Vert(LL)	n/a	-	n/a	MT20	244/190
TCDL 10.0	Plate Grip DOL 1.15	BC 0.18	Vert(CT)	n/a	-	n/a		
BCLL 0.0 *	Lumber DOL 1.15	WB 0.15	Horz(CT)	0.00	5	n/a		
BCDL 10.0	Rep Stress Incr YES	Matrix-S					Weight: 81 lb	FT = 20%
	Code IRC2015/TPI2014							

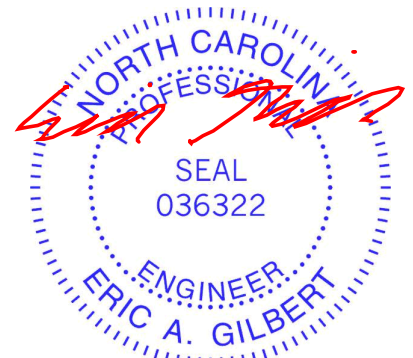
LUMBER-
TOP CHORD 2x4 SP No.1
BOT CHORD 2x4 SP No.1
OTHERS 2x4 SP No.2

BRACING-
TOP CHORD Structural wood sheathing directly applied or 6-0-0 oc purlins.
BOT CHORD Rigid ceiling directly applied or 10-0-0 oc bracing.

REACTIONS. All bearings 16-7-4.
(lb) - Max Horz 1=191(LC 8)
Max Uplift All uplift 100 lb or less at joint(s) 1 except 9=199(LC 12), 6=199(LC 13)
Max Grav All reactions 250 lb or less at joint(s) 1, 5 except 8=417(LC 22), 9=519(LC 19), 6=519(LC 20)

FORCES. (lb) - Max. Comp./Max. Ten. - All forces 250 (lb) or less except when shown.
WEBS 2-9=-429/322, 4-6=-429/322

- NOTES-**
- Unbalanced roof live loads have been considered for this design.
 - Wind: ASCE 7-10; Vult=130mph (3-second gust) Vasd=103mph; TCDL=6.0psf; BCDL=6.0psf; h=15ft; Cat. II; Exp C; Enclosed; MWFRS (envelope) and C-C Exterior(2) 0-4-4 to 4-9-0, Interior(1) 4-9-0 to 8-3-10, Exterior(2) 8-3-10 to 12-8-7, Interior(1) 12-8-7 to 16-3-0 zone; C-C for members and forces & MWFRS for reactions shown; Lumber DOL=1.60 plate grip DOL=1.60
 - Gable requires continuous bottom chord bearing.
 - This truss has been designed for a 10.0 psf bottom chord live load nonconcurrent with any other live loads.
 - * This truss has been designed for a live load of 30.0psf on the bottom chord in all areas where a rectangle 3-6-0 tall by 2-0-0 wide will fit between the bottom chord and any other members, with BCDL = 10.0psf.
 - Provide mechanical connection (by others) of truss to bearing plate capable of withstanding 100 lb uplift at joint(s) 1 except (jt=lb) 9=199, 6=199.



April 17, 2020

WARNING - Verify design parameters and READ NOTES ON THIS AND INCLUDED MITEK REFERENCE PAGE MII-7473 rev. 5/19/2020 BEFORE USE.

Design valid for use only with MiTek® connectors. This design is based only upon parameters shown, and is for an individual building component, not a truss system. Before use, the building designer must verify the applicability of design parameters and properly incorporate this design into the overall building design. Bracing indicated is to prevent buckling of individual truss web and/or chord members only. Additional temporary and permanent bracing is always required for stability and to prevent collapse with possible personal injury and property damage. For general guidance regarding the fabrication, storage, delivery, erection and bracing of trusses and truss systems, see **ANSI/TPI1 Quality Criteria, DSB-89 and BCSI Building Component Safety Information** available from Truss Plate Institute, 2670 Crain Highway, Suite 203 Waldorf, MD 20601

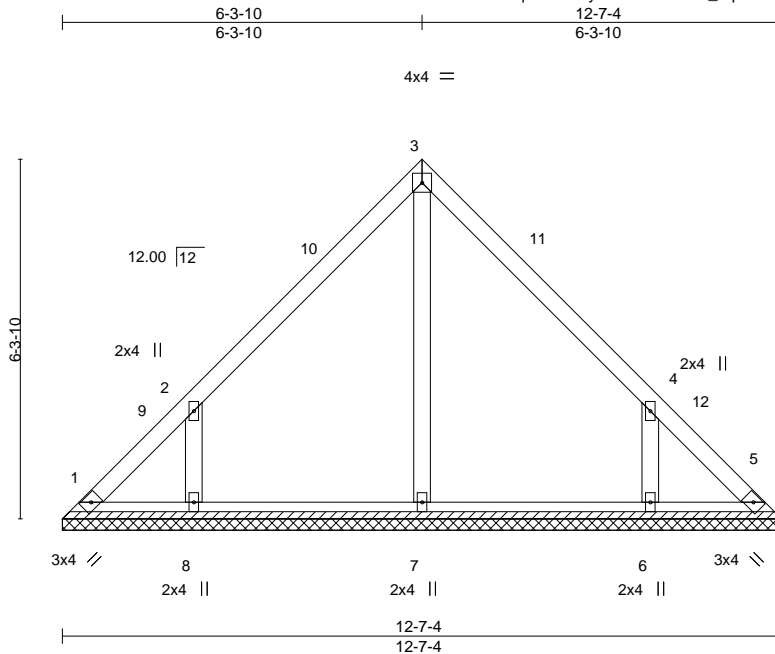
ENGINEERING BY
TRENCO
A MiTek Affiliate

818 Soundside Road
Edenton, NC 27932

Job J0720-3212	Truss V3	Truss Type VALLEY	Qty 1	Ply 1	2631 Darroch Rd. 2-B	E14305196
-------------------	-------------	----------------------	----------	----------	----------------------	-----------

Comtech, Inc., Fayetteville, NC - 28314,

8.330 s Mar 23 2020 MiTek Industries, Inc. Thu Apr 16 14:03:29 2020 Page 1
ID:J6aSr?qB6etazEy6hKRSkZzPTZ_-xpJGU3cKZNdSKuZ_Nihf2Slwp3hSN?FSUfJrlzQ75y



Scale = 1:40.4

Plate Offsets (X,Y)-- [4:0-0-0,0-0-0]

LOADING (psf)	SPACING-	CSI.	DEFL.	in	(loc)	l/defl	L/d	PLATES	GRIP
TCLL 20.0	Plate Grip DOL 1.15	TC 0.14	Vert(LL)	n/a	-	n/a	999	MT20	244/190
TCDL 10.0	Lumber DOL 1.15	BC 0.09	Vert(CT)	n/a	-	n/a	999		
BCLL 0.0 *	Rep Stress Incr YES	WB 0.08	Horz(CT)	0.00	5	n/a	n/a		
BCDL 10.0	Code IRC2015/TPI2014	Matrix-S						Weight: 58 lb	FT = 20%

LUMBER-
TOP CHORD 2x4 SP No.1
BOT CHORD 2x4 SP No.1
OTHERS 2x4 SP No.2

BRACING-
TOP CHORD Structural wood sheathing directly applied or 6-0-0 oc purlins.
BOT CHORD Rigid ceiling directly applied or 10-0-0 oc bracing.

REACTIONS. All bearings 12-7-4.
(lb) - Max Horz 1=143(LC 8)
Max Uplift All uplift 100 lb or less at joint(s) 1, 5 except 8=161(LC 12), 6=161(LC 13)
Max Grav All reactions 250 lb or less at joint(s) 1, 5, 7 except 8=341(LC 19), 6=341(LC 20)

FORCES. (lb) - Max. Comp./Max. Ten. - All forces 250 (lb) or less except when shown.
WEBS 2-8=-355/291, 4-6=-355/291

- NOTES-**
- Unbalanced roof live loads have been considered for this design.
 - Wind: ASCE 7-10; Vult=130mph (3-second gust) Vasd=103mph; TC DL=6.0psf; BCDL=6.0psf; h=15ft; Cat. II; Exp C; Enclosed; MWFRS (envelope) and C-C Exterior(2) 0-4-4 to 4-9-0, Interior(1) 4-9-0 to 6-3-10, Exterior(2) 6-3-10 to 10-8-7, Interior(1) 10-8-7 to 12-3-0 zone; C-C for members and forces & MWFRS for reactions shown; Lumber DOL=1.60 plate grip DOL=1.60
 - Gable requires continuous bottom chord bearing.
 - This truss has been designed for a 10.0 psf bottom chord live load nonconcurrent with any other live loads.
 - * This truss has been designed for a live load of 30.0psf on the bottom chord in all areas where a rectangle 3-6-0 tall by 2-0-0 wide will fit between the bottom chord and any other members.
 - Provide mechanical connection (by others) of truss to bearing plate capable of withstanding 100 lb uplift at joint(s) 1, 5 except (jt=lb) 8=161, 6=161.



April 17, 2020

WARNING - Verify design parameters and READ NOTES ON THIS AND INCLUDED MITEK REFERENCE PAGE MII-7473 rev. 5/19/2020 BEFORE USE.

Design valid for use only with MiTek® connectors. This design is based only upon parameters shown, and is for an individual building component, not a truss system. Before use, the building designer must verify the applicability of design parameters and properly incorporate this design into the overall building design. Bracing indicated is to prevent buckling of individual truss web and/or chord members only. Additional temporary and permanent bracing is always required for stability and to prevent collapse with possible personal injury and property damage. For general guidance regarding the fabrication, storage, delivery, erection and bracing of trusses and truss systems, see **ANSI/TPI1 Quality Criteria, DSB-89 and BCSI Building Component Safety Information** available from Truss Plate Institute, 2670 Crain Highway, Suite 203 Waldorf, MD 20601

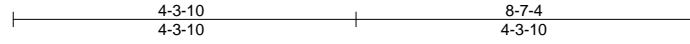
ENGINEERING BY
TRENCO
A MiTek Affiliate

818 Soundside Road
Edenton, NC 27932

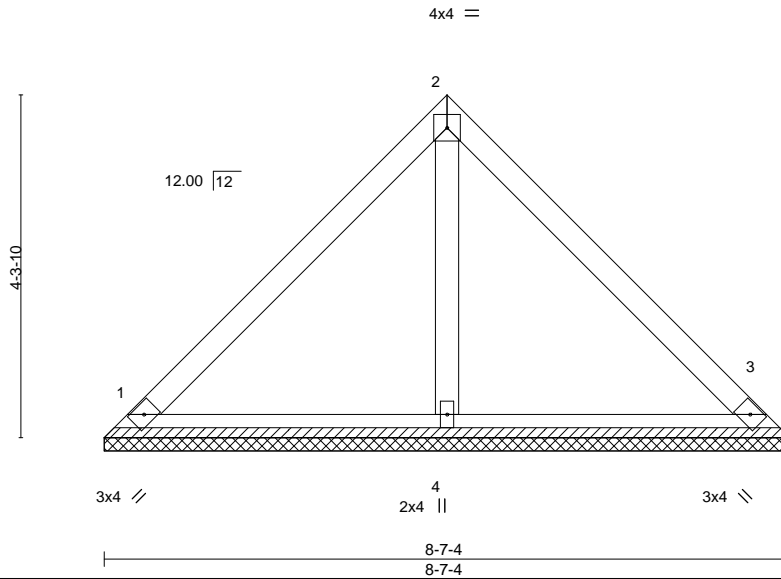
Job J0720-3212	Truss V4	Truss Type VALLEY	Qty 1	Ply 1	2631 Darroch Rd. 2-B	E14305197
					Job Reference (optional)	

Comtech, Inc., Fayetteville, NC - 28314,

8.330 s Mar 23 2020 MiTek Industries, Inc. Thu Apr 16 14:03:29 2020 Page 1
ID:J6aSr?qB6etazEy6hKRSkZzPTZ_-xpIJGU3ckZNdSKuZ_Nihf2Sjvp3GSOhFSUFJrlzQ75y



Scale = 1:28.9



LOADING (psf)	SPACING-	2-0-0	CSI.	DEFL.	in (loc)	l/defl	L/d	PLATES	GRIP
TCLL 20.0	Plate Grip DOL	1.15	TC 0.27	Vert(LL)	n/a	-	n/a	MT20	244/190
TCDL 10.0	Lumber DOL	1.15	BC 0.12	Vert(CT)	n/a	-	n/a		
BCLL 0.0 *	Rep Stress Incr	YES	WB 0.04	Horz(CT)	0.00	3	n/a		
BCDL 10.0	Code	IRC2015/TPI2014	Matrix-P					Weight: 35 lb	FT = 20%

LUMBER-

TOP CHORD 2x4 SP No.1
BOT CHORD 2x4 SP No.1
OTHERS 2x4 SP No.2

BRACING-

TOP CHORD Structural wood sheathing directly applied or 6-0-0 oc purlins.
BOT CHORD Rigid ceiling directly applied or 10-0-0 oc bracing.

REACTIONS.

(size) 1=8-7-4, 3=8-7-4, 4=8-7-4
Max Horz 1=-95(LC 8)
Max Uplift 1=-34(LC 13), 3=-34(LC 13)
Max Grav 1=192(LC 1), 3=192(LC 1), 4=247(LC 1)

FORCES. (lb) - Max. Comp./Max. Ten. - All forces 250 (lb) or less except when shown.

NOTES-

- Unbalanced roof live loads have been considered for this design.
- Wind: ASCE 7-10; Vult=130mph (3-second gust) Vasd=103mph; TCDL=6.0psf; BCDL=6.0psf; h=15ft; Cat. II; Exp C; Enclosed; MWFRS (envelope) and C-C Exterior(2) zone;C-C for members and forces & MWFRS for reactions shown; Lumber DOL=1.60 plate grip DOL=1.60
- Gable requires continuous bottom chord bearing.
- This truss has been designed for a 10.0 psf bottom chord live load nonconcurrent with any other live loads.
- * This truss has been designed for a live load of 30.0psf on the bottom chord in all areas where a rectangle 3-6-0 tall by 2-0-0 wide will fit between the bottom chord and any other members.
- Provide mechanical connection (by others) of truss to bearing plate capable of withstanding 100 lb uplift at joint(s) 1, 3.



April 17, 2020

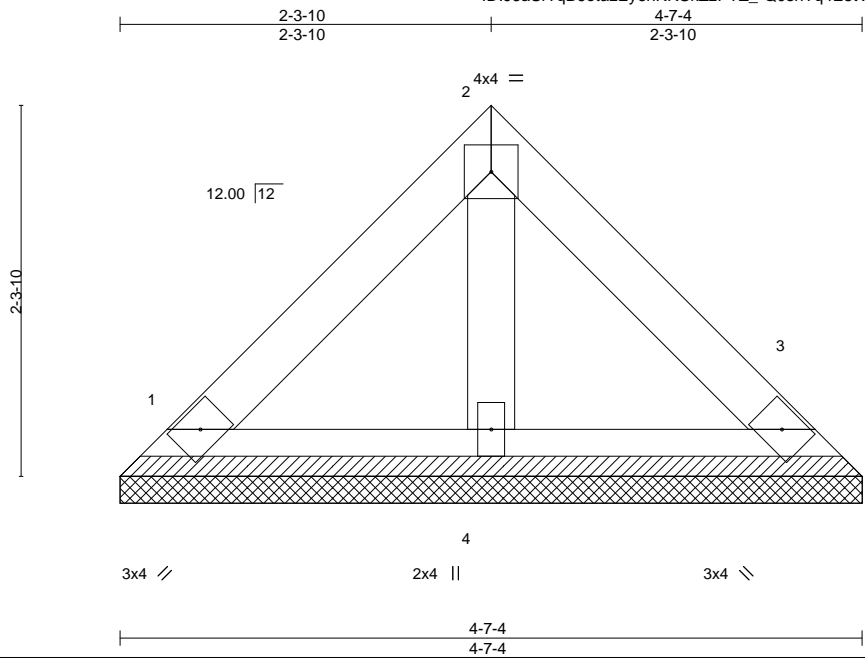
WARNING - Verify design parameters and READ NOTES ON THIS AND INCLUDED MITEK REFERENCE PAGE MII-7473 rev. 5/19/2020 BEFORE USE.

Design valid for use only with MiTek® connectors. This design is based only upon parameters shown, and is for an individual building component, not a truss system. Before use, the building designer must verify the applicability of design parameters and properly incorporate this design into the overall building design. Bracing indicated is to prevent buckling of individual truss web and/or chord members only. Additional temporary and permanent bracing is always required for stability and to prevent collapse with possible personal injury and property damage. For general guidance regarding the fabrication, storage, delivery, erection and bracing of trusses and truss systems, see **ANSI/TPI1 Quality Criteria, DSB-89 and BCSI Building Component Safety Information** available from Truss Plate Institute, 2670 Crain Highway, Suite 203 Waldorf, MD 20601



818 Soundside Road
Edenton, NC 27932

Job J0720-3212	Truss V5	Truss Type VALLEY	Qty 1	Ply 1	2631 Darroch Rd. 2-B	E14305198
Comtech, Inc., Fayetteville, NC - 28314,					8.330 s Mar 23 2020 MiTek Industries, Inc. Thu Apr 16 14:03:30 2020 Page 1	
					ID: J6aSr?qB6etazEy6hKRSkZzPTZ_-Q0shTq4E5tVU4TTIX4DwBG_yuDPIBrQOh8PINBzQ75x	



Scale = 1:14.3

LOADING (psf)	SPACING-		CSI.	DEFL.	in	(loc)	l/defl	L/d	PLATES	GRIP
TCLL 20.0	Plate Grip DOL	2-0-0	TC 0.06	Vert(LL)	n/a	-	n/a	999	MT20	244/190
TCDL 10.0	Lumber DOL	1.15	BC 0.03	Vert(CT)	n/a	-	n/a	999		
BCLL 0.0 *	Rep Stress Incr	YES	WB 0.01	Horz(CT)	0.00	3	n/a	n/a		
BCDL 10.0	Code	IRC2015/TPI2014	Matrix-P						Weight: 18 lb	FT = 20%

LUMBER-
 TOP CHORD 2x4 SP No.1
 BOT CHORD 2x4 SP No.1
 OTHERS 2x4 SP No.2

BRACING-
 TOP CHORD Structural wood sheathing directly applied or 4-7-4 oc purlins.
 BOT CHORD Rigid ceiling directly applied or 10-0-0 oc bracing.

REACTIONS. (size) 1=4-7-4, 3=4-7-4, 4=4-7-4
 Max Horz 1=47(LC 8)
 Max Uplift 1=17(LC 13), 3=17(LC 13)
 Max Grav 1=95(LC 1), 3=95(LC 1), 4=122(LC 1)

FORCES. (lb) - Max. Comp./Max. Ten. - All forces 250 (lb) or less except when shown.

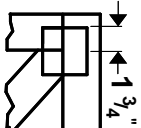
- NOTES-**
- Unbalanced roof live loads have been considered for this design.
 - Wind: ASCE 7-10; Vult=130mph (3-second gust) Vasd=103mph; TCDL=6.0psf; BCDL=6.0psf; h=15ft; Cat. II; Exp C; Enclosed; MWFRS (envelope) and C-C Exterior(2) zone; C-C for members and forces & MWFRS for reactions shown; Lumber DOL=1.60 plate grip DOL=1.60
 - Gable requires continuous bottom chord bearing.
 - This truss has been designed for a 10.0 psf bottom chord live load nonconcurrent with any other live loads.
 - * This truss has been designed for a live load of 30.0psf on the bottom chord in all areas where a rectangle 3-6-0 tall by 2-0-0 wide will fit between the bottom chord and any other members.
 - Provide mechanical connection (by others) of truss to bearing plate capable of withstanding 100 lb uplift at joint(s) 1, 3.



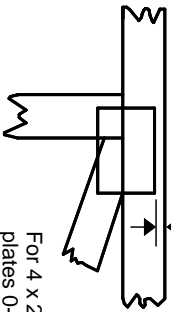
April 17, 2020

Symbols

PLATE LOCATION AND ORIENTATION



Center plate on joint unless x, y offsets are indicated. Dimensions are in ft-in-sixteenths. Apply plates to both sides of truss and fully embed teeth.



For 4 x 2 orientation, locate plates 0- 1/16" from outside edge of truss.



This symbol indicates the required direction of slots in connector plates.

* Plate location details available in **MITek 20/20 software or upon request.**

PLATE SIZE

4 X 4

The first dimension is the plate width measured perpendicular to slots. Second dimension is the length parallel to slots.

LATERAL BRACING LOCATION



Indicated by symbol shown and/or by text in the bracing section of the output. Use T or I bracing if indicated.

BEARING



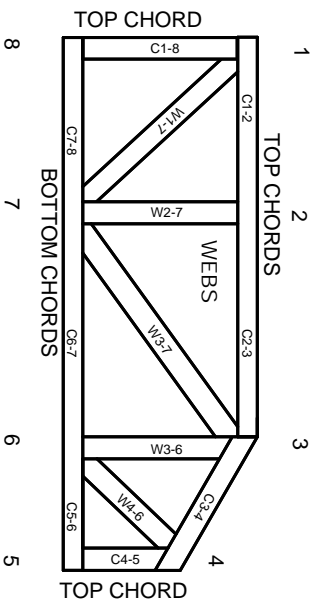
Indicates location where bearings (supports) occur. Icons vary but reaction section indicates joint number where bearings occur. Min size shown is for crushing only.

Industry Standards:

ANSI/TP1: National Design Specification for Metal Plate Connected Wood Truss Construction.
DSB-89: Design Standard for Bracing, Building Component Safety Information, Guide to Good Practice for Handling, Installing & Bracing of Metal Plate
BCSI: Connected Wood Trusses.

Numbering System

6-4-8
dimensions shown in ft-in-sixteenths
(Drawings not to scale)



JOINTS ARE GENERALLY NUMBERED/LETTERED CLOCKWISE AROUND THE TRUSS STARTING AT THE JOINT FARTHEST TO THE LEFT.

CHORDS AND WEBS ARE IDENTIFIED BY END JOINT NUMBERS/LETTERS.

PRODUCT CODE APPROVALS

ICC-ES Reports:

ESR-1311, ESR-1352, ESR1988
ER-3907, ESR-2362, ESR-1397, ESR-3282

Trusses are designed for wind loads in the plane of the truss unless otherwise shown.

Lumber design values are in accordance with ANSI/TP1 section 6.3 These truss designs rely on lumber values established by others.

© 2012 MITteK® All Rights Reserved



MITek Engineering Reference Sheet: Mill-7473 rev. 5/19/2020



General Safety Notes

Failure to Follow Could Cause Property Damage or Personal Injury

1. Additional stability bracing for truss system, e.g. diagonal or X-bracing, is always required. See BCSI.
2. Truss bracing must be designed by an engineer. For wide truss spacing, individual lateral braces themselves may require bracing, or alternative T or I bracing should be considered.
3. Never exceed the design loading shown and never stack materials on inadequately braced trusses.
4. Provide copies of this truss design to the building designer, erection supervisor, property owner and all other interested parties.
5. Cut members to bear tightly against each other.
6. Place plates on each face of truss at each joint and embed fully. Knots and wane at joint locations are regulated by ANSI/TP1 1.
7. Design assumes trusses will be suitably protected from the environment in accord with ANSI/TP1 1.
8. Unless otherwise noted, moisture content of lumber shall not exceed 19% at time of fabrication.
9. Unless expressly noted, this design is not applicable for use with fire retardant, preservative treated, or green lumber.
10. Camber is a non-structural consideration and is the responsibility of truss fabricator. General practice is to camber for dead load deflection.
11. Plate type, size, orientation and location dimensions indicated are minimum plating requirements.
12. Lumber used shall be of the species and size, and in all respects, equal to or better than that specified.
13. Top chords must be sheathed or purlins provided at spacing indicated on design.
14. Bottom chords require lateral bracing at 10 ft. spacing, or less, if no ceiling is installed, unless otherwise noted.
15. Connections not shown are the responsibility of others.
16. Do not cut or alter truss member or plate without prior approval of an engineer.
17. Install and load vertically unless indicated otherwise.
18. Use of green or treated lumber may pose unacceptable environmental, health or performance risks. Consult with project engineer before use.
19. Review all portions of this design (front, back, words and pictures) before use. Reviewing pictures alone is not sufficient.
20. Design assumes manufacture in accordance with ANSI/TP1 1 Quality Criteria.
21. The design does not take into account any dynamic or other loads other than those expressly stated.